

## DESCRIPTION

The MP3378E is a one-chip solution specially designed for monitor applications. The MP3378E includes a step-up WLED controller with four current channels for backlighting, and a high-efficiency buck converter for internal bus voltage or standby power.

The 4-string WLED controller drives an external MOSFET to boost up the output voltage from the input supply. It regulates the current in each LED string to the programmed value set by an external current setting resistor. It supports both analog and PWM dimming independently to meet special dimming mode requests. Full protection features for the WLED controller include OCP, OTP, UVP, OVP, LED short/open protection, and inductor/diode short protection.

The high-efficiency buck converter operates in the current mode operation with a built-in MOSFET and a built-in synchronous rectifier. It offers a very compact solution to achieve excellent load and line regulation. Full protection features for the buck converter include OCP and thermal shutdown.

The MP3378E is available in a TSSOP-28 EP package.

## FEATURES

### **WLED Controller:**

- 4-String, Max 350mA/String, WLED Controller
- Up to 24V Input Voltage Range
- 2.5% Current Matching Accuracy
- Programmable Switching Frequency
- PWM and Analog Dimming Mode
- LED Open and Short Protection
- Programmable Over-Voltage Protection
- Recoverable Thermal Shutdown Protection
- Over-Current Protection
- Over-Temperature Protection
- Inductor/Diode Short Protection

### **Buck Converter:**

- 144mΩ/80mΩ Low  $R_{DS(ON)}$  Internal Power MOSFETs
- Low Quiescent Current
- Fixed 235kHz Switching Frequency
- Frequency Sync from 250kHz to 2MHz
- External Clock
- Internal Soft Start
- OCP and Hiccup Mode
- Over-Temperature Protection
- Output Adjustable from 0.8V

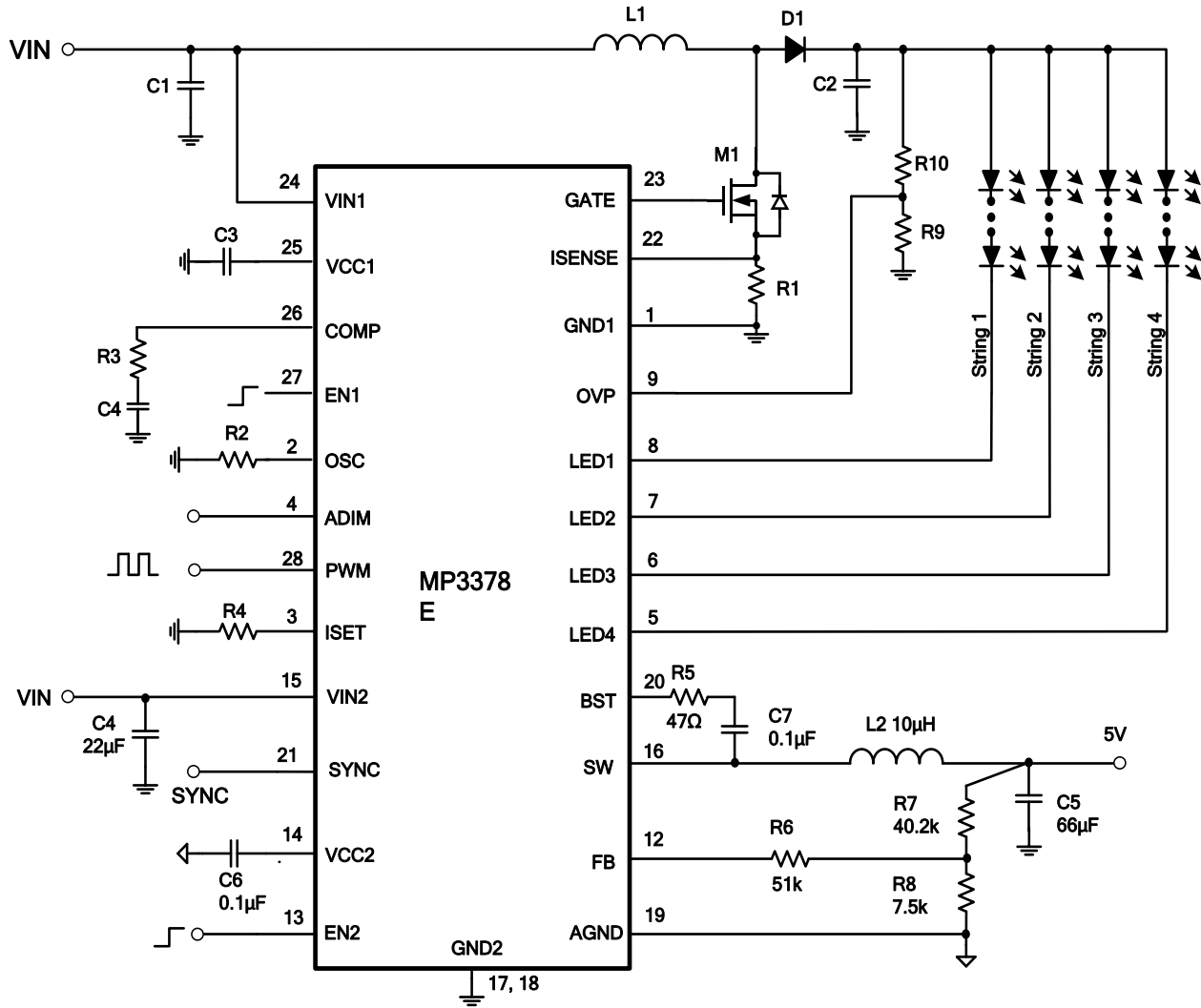
## APPLICATIONS

- Desktop LCD Flat Panel Displays
- Flat Panel Video Displays
- 2D/3D LCD TVs and Monitors

All MPS parts are lead-free, halogen-free, and adhere to the RoHS directive. For MPS green status, please visit the MPS website under Quality Assurance.

"MPS" and "The Future of Analog IC Technology" are registered trademarks of Monolithic Power Systems, Inc.

TYPICAL APPLICATION



### ORDERING INFORMATION

Part Number	Package	Top Marking
MP3378EGF	TSSOP-28 EP	See Below

\* For Tape & Reel, add suffix -Z (e.g. MP3378EGF-Z)

### TOP MARKING

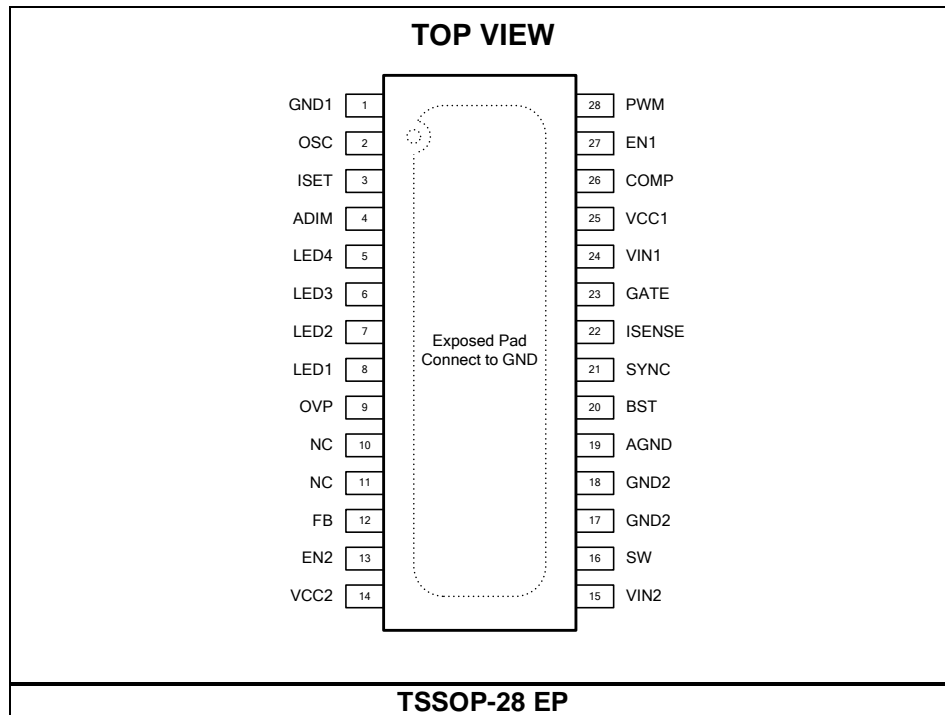
**MPSYYWW**

**MP3378E**

**LLLLLLLLL**

MP3378E: Product code of MP3378EGF  
 MPS: MPS prefix  
 YY: Year code  
 WW: Week code  
 LLLLLLLLL: Lot number

### PACKAGE REFERENCE



**ABSOLUTE MAXIMUM RATINGS <sup>(1)</sup>**
**WLED Controller**

$V_{IN1}$ .....	-0.3V to +28V
$V_{LED1}$ to $V_{LED4}$ .....	-1V to +55V
$V_{GATE}$ , $V_{CC1}$ , $V_{ISENSE}$ .....	-0.3V to +6.5V
All other pins.....	-0.3V to VCC1

**Buck Converter**

$V_{IN2}$ , $V_{SW}$ .....	-0.3V to 28V
$V_{BST}$ .....	$V_{SW}+6V$
All other pins.....	-0.3V to 6V

 Continuous power dissipation ( $T_A = 25^\circ C$ ) <sup>(2)</sup>

TSSOP-28 EP .....	3.9W
Junction Temperature .....	150°C
Lead Temperature .....	260°C

**Recommended Operating Conditions <sup>(3)</sup>**

Supply voltage ( $V_{IN1}$ , $V_{IN2}$ ) .....	5V to 24V
Operating junction temp. ( $T_J$ ) ..	-40°C to +125°C

**Thermal Resistance <sup>(4)</sup>**

	$\theta_{JA}$	$\theta_{JC}$	
TSSOP-28 EP.....	32.....	6....	°C/W

**NOTES:**

- 1) Exceeding these ratings may damage the device. The voltage is measured with a 20MHz bandwidth limited oscilloscope.
- 2) The maximum allowable power dissipation is a function of the maximum junction temperature  $T_J$  (MAX), the junction-to-ambient thermal resistance  $\theta_{JA}$ , and the ambient temperature  $T_A$ . The maximum allowable continuous power dissipation at any ambient temperature is calculated by  $P_D$  (MAX) =  $(T_J$  (MAX)- $T_A$ )/ $\theta_{JA}$ . Exceeding the maximum allowable power dissipation produces an excessive die temperature, causing the regulator to go into thermal shutdown. Internal thermal shutdown circuitry protects the device from permanent damage.
- 3) The device is not guaranteed to function outside of its operating conditions.
- 4) Measured on JESD51-7, 4-layer PCB.

**ELECTRICAL CHARACTERISTICS <sup>(5)</sup>**
 $V_{IN1} = V_{IN2} = 12V$ ,  $V_{EN1} = V_{EN2} = 5V$ ,  $T_A = 25^\circ C$ , unless otherwise noted.

Parameters	Symbol	Condition	Min	Typ	Max	Units
<b>WLED Controller Section</b>						
Supply current (quiescent)	$I_{Q1}$	$V_{IN1} = 12V$ , $V_{EN1} = 5V$ , no load without switching, buck disabled	1.2	1.35	1.5	mA
Supply current (shutdown)	$I_{ST1}$	$V_{EN1} = 0V$ , $V_{IN} = 12V$ , buck disabled			1	$\mu A$
LDO output voltage	$V_{CC1}$	$V_{EN1} = 5V$ , $7V < V_{IN1} < 28V$ , $0 < I_{VCC1} < 10mA$	5.4	6	6.6	V
VCC1 UVLO threshold	$V_{CC1\_UVLO}$	Rising edge	3.6	4	4.4	V
VCC1 UVLO hysteresis				200		mV
EN1 high voltage	$V_{EN1\_HIGH}$	$V_{EN1}$ rising	1.8			V
EN1 low voltage	$V_{EN1\_LOW}$	$V_{EN1}$ falling			0.6	V
<b>Step-Up Converter</b>						
Gate driver impedance (sourcing)		$V_{CC1} = 6V$ , $V_{GATE} = 6V$		4.1	7	$\Omega$
Gate driver impedance (sinking)		$V_{CC1} = 6V$ , $I_{GATE} = 10mA$		3	5	$\Omega$
Switching frequency	$f_{SW1}$	$R_{OSC} = 115k\Omega$	470	530	590	kHz
		$R_{OSC} = 374k\Omega$	150	180	210	kHz
OSC voltage	$V_{OSC}$		1.20	1.23	1.26	V
Maximum duty cycle	$D_{MAX1}$			93		%
Cycle-by-cycle ISENSE current limit		Max duty cycle	145	180	230	mV
COMP source current limit	$I_{COMP\_SOLI}$	$1V < COMP < 1.9V$		70		$\mu A$
COMP sink current limit	$I_{COMP\_SILI}$	$1V < COMP < 1.9V$		17		$\mu A$
COMP transconductance	$G_{COMP}$	$\Delta I_{COMP} = \pm 10\mu A$		440		$\mu A/V$
<b>Current Dimming</b>						
PWM input low threshold	$V_{PWM\_LO}$	$V_{PWM}$ falling			0.75	V
PWM input high threshold	$V_{PWM\_HI}$	$V_{PWM}$ rising	1.25			V
Analog dimming input low threshold			0.38	0.41	0.44	V
Analog dimming input high threshold			1.44	1.49	1.54	V
<b>LED Current Regulation</b>						
ISET voltage	$V_{ISET}$		1.20	1.225	1.25	V
LEDX average current	$I_{LED}$	$R_{ISET} = 30.5k\Omega$	31.4	33	34.2	mA
Current matching <sup>(5)</sup>		$I_{LED} = 32mA$			2.5	%
VCC max current limit	$I_{CC1\_Limit}$		50	75	100	mA
LED FET resistance	$R_{LED}$	$I_{LED} = 10mA$		1.7		$\Omega$
LEDX regulation voltage	$V_{LEDX}$	$I_{LED} = 330mA$		800		mV
		$I_{LED} = 60mA$		260		mV

**ELECTRICAL CHARACTERISTICS (continued)**
 $V_{IN1} = V_{IN2} = 12V$ ,  $V_{EN1} = V_{EN2} = 5V$ ,  $T_A = 25^\circ C$ , unless otherwise noted.

Parameters	Symbol	Condition	Min	Typ	Max	Units
<b>Protection</b>						
OVP (over-voltage protection) threshold	$V_{OVP\_OV}$	Rising edge	1.20	1.23	1.26	V
OVP (over-voltage protection) threshold hysteresis	$V_{OVP\_HYS}$	OVP hysteresis		80		mV
OVP UVLO threshold	$V_{OVP\_UV}$	Step-up converter fails	33	75	115	mV
LEDX UVLO threshold	$V_{LEDX\_UV}$		120	190	260	mV
LEDX over-voltage threshold	$V_{LEDX\_OV}$		5.8	6.3	6.8	V
LED short fault cycles	$T_{LED\_OV}$			4096		
Latch-off current limit	$V_{LMT}$		600	660	720	mV
Thermal protection threshold	$T_{ST}$			150		$^\circ C$
Thermal protection hysteresis				25		$^\circ C$
<b>Buck Converter Section</b>						
Supply current (quiescent)	$I_{Q2}$	$V_{FB} = 1V$ , WLED controller disabled	150	200	250	$\mu A$
Supply current (shutdown)	$I_{ST2}$	$V_{EN2} = 0V$ , WLED controller disabled			10	$\mu A$
VIN2 under-voltage lockout threshold	$V_{IN2\_UVLO}$	Rising edge	3.7	3.9	4.1	V
VIN2 under-voltage lockout threshold hysteresis			550	650	750	mV
VCC2 regulator	$V_{CC2}$		4.65	4.9	5.15	V
VCC2 load regulation		ICC2 = 5mA	0	1	3	%
EN2 high threshold	$V_{EN2\_HI}$	EN2 rising threshold	1.8			V
EN2 low threshold	$V_{EN2\_LO}$	EN2 falling threshold			0.6	V
HS switch-on resistance	$HS_{RDS-ON}$	$V_{BST-SW} = 5V$		144		m $\Omega$
LS switch-on resistance	$LS_{RDS-ON}$	$V_{CC2} = 5V$		80		m $\Omega$
Current limit	$I_{LIMIT}$	Duty cycle = 40%	4.8	6	7.2	A
Oscillator frequency	$f_{SW2}$	$V_{FB} = 750mV$	190	235	280	kHz
Foldback frequency	$f_{FB}$	$V_{FB} = 200mV$		0.5		$f_{SW2}$
Maximum duty cycle	$D_{MAX2}$	$V_{FB} = 750mV$	90	95		%
Minimum on time <sup>(5)</sup>	$T_{ON\_MIN}$			80		ns
Sync frequency range	$f_{SYNC}$		0.25		2	MHz
Feedback voltage	$V_{FB}$	$T_A = 25^\circ C$	779	791	803	mV
Feedback current	$I_{FB}$	$V_{FB} = 820mV$		10	50	nA
Soft-start period	$T_{SS}$	10% to 90%	0.8	1.5	2.2	ms

**ELECTRICAL CHARACTERISTICS** *(continued)*
 $V_{IN1} = V_{IN2} = 12V$ ,  $V_{EN1} = V_{EN2} = 5V$ ,  $T_A = 25^{\circ}C$ , unless otherwise noted.

Parameters	Symbol	Condition	Min	Typ	Max	Units
SYNC high threshold	$V_{SYNC\_HI}$		1.8			V
SYNC low threshold	$V_{SYNC\_LO}$				0.6	V
Thermal shutdown				150		$^{\circ}C$
Thermal hysteresis				20		$^{\circ}C$

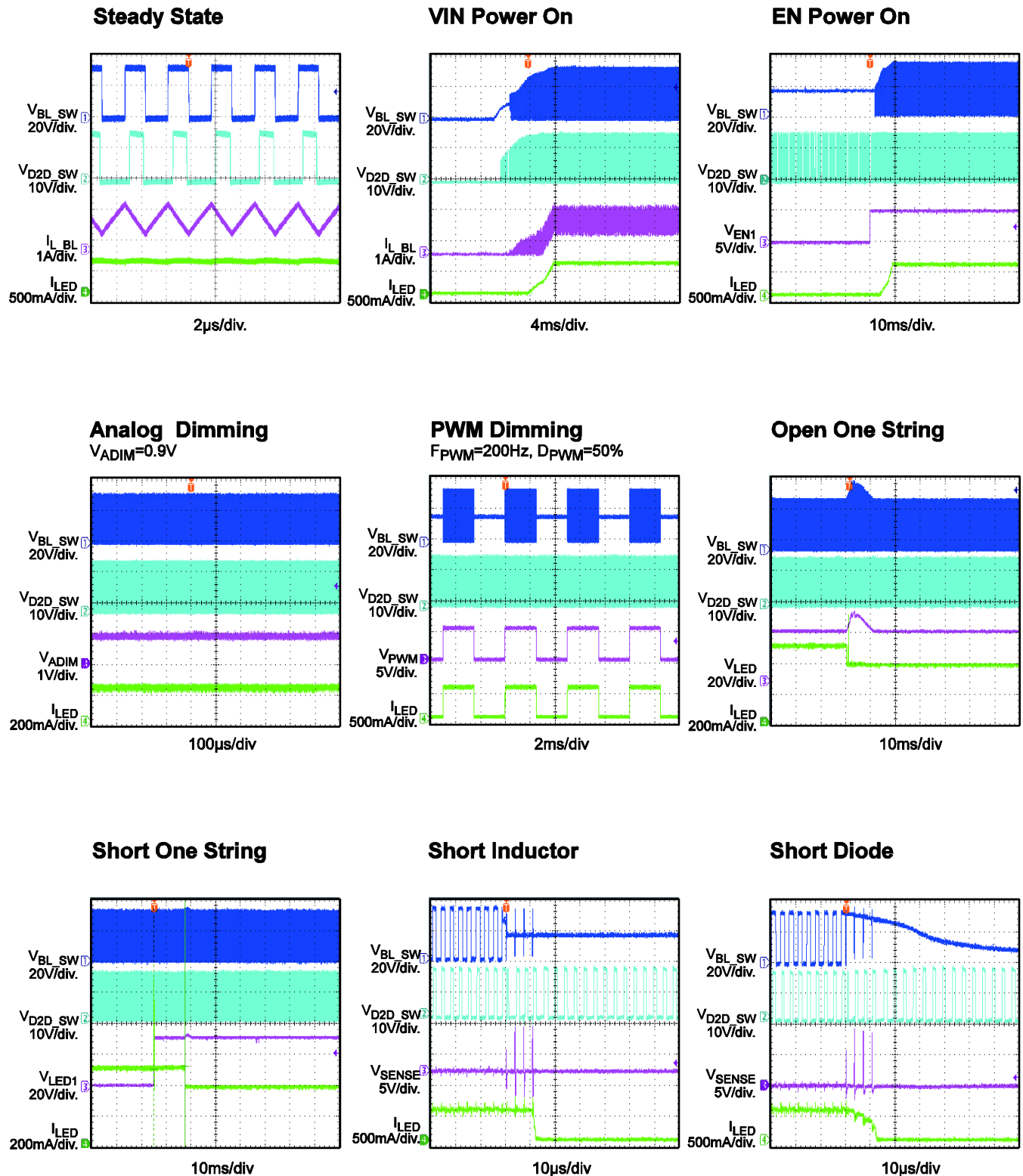
**NOTE:**

5) Matching is defined as the difference between the maximum to minimum current divided by 2 times the average currents.

## TYPICAL PERFORMANCE CHARACTERISTICS

### WLED Controller Section:

$V_{IN} = 16V$ , 10 LEDs in series, 4 strings parallel, 120mA/string,  $T_A = 25^\circ C$ , unless otherwise noted.

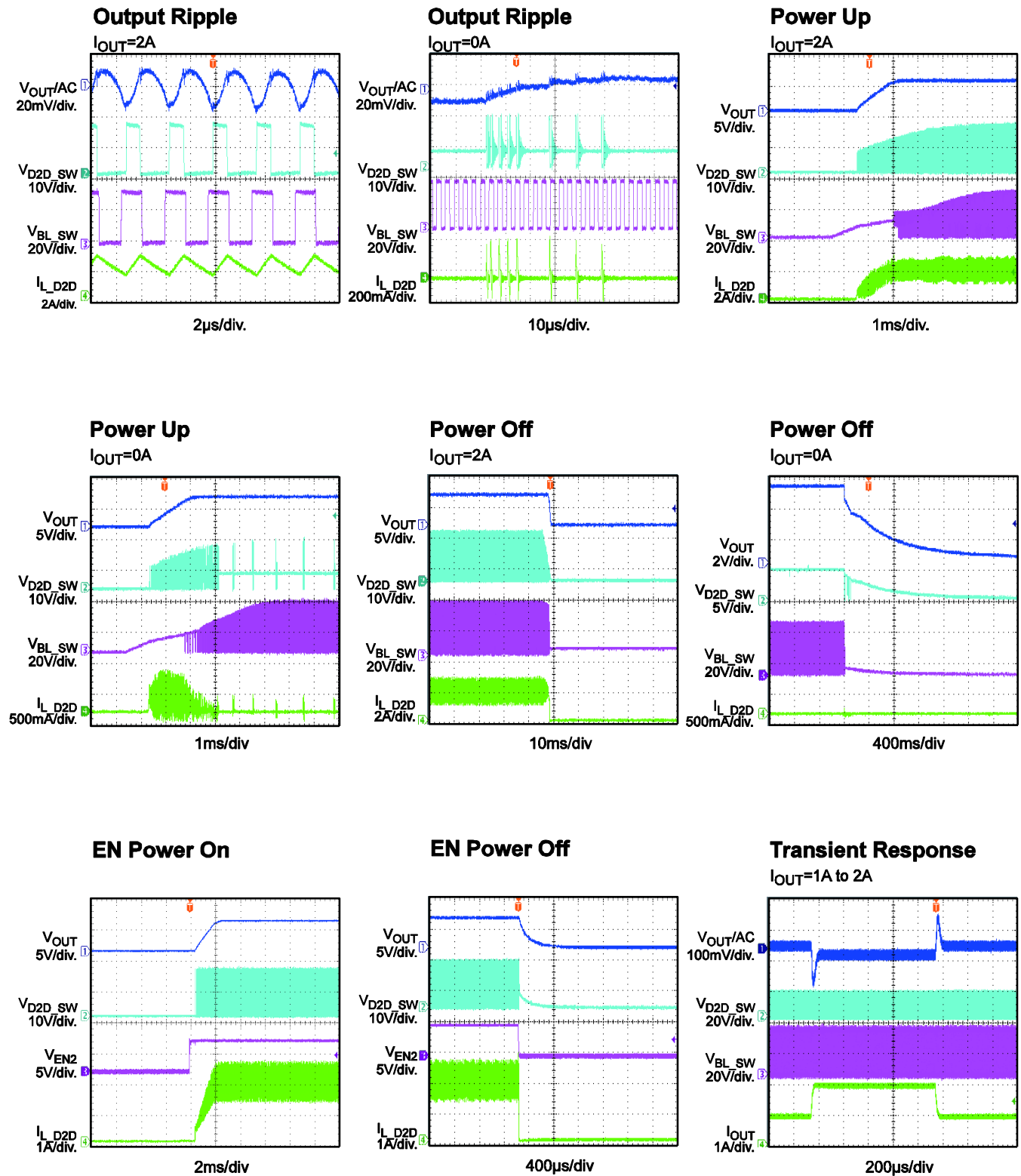




## TYPICAL PERFORMANCE CHARACTERISTICS

### Buck Converter Section:

$V_{IN} = 16V$ ,  $V_{OUT} = 5V$ ,  $L2 = 10\mu H$ ,  $T_A = 25^\circ C$ , unless otherwise noted.

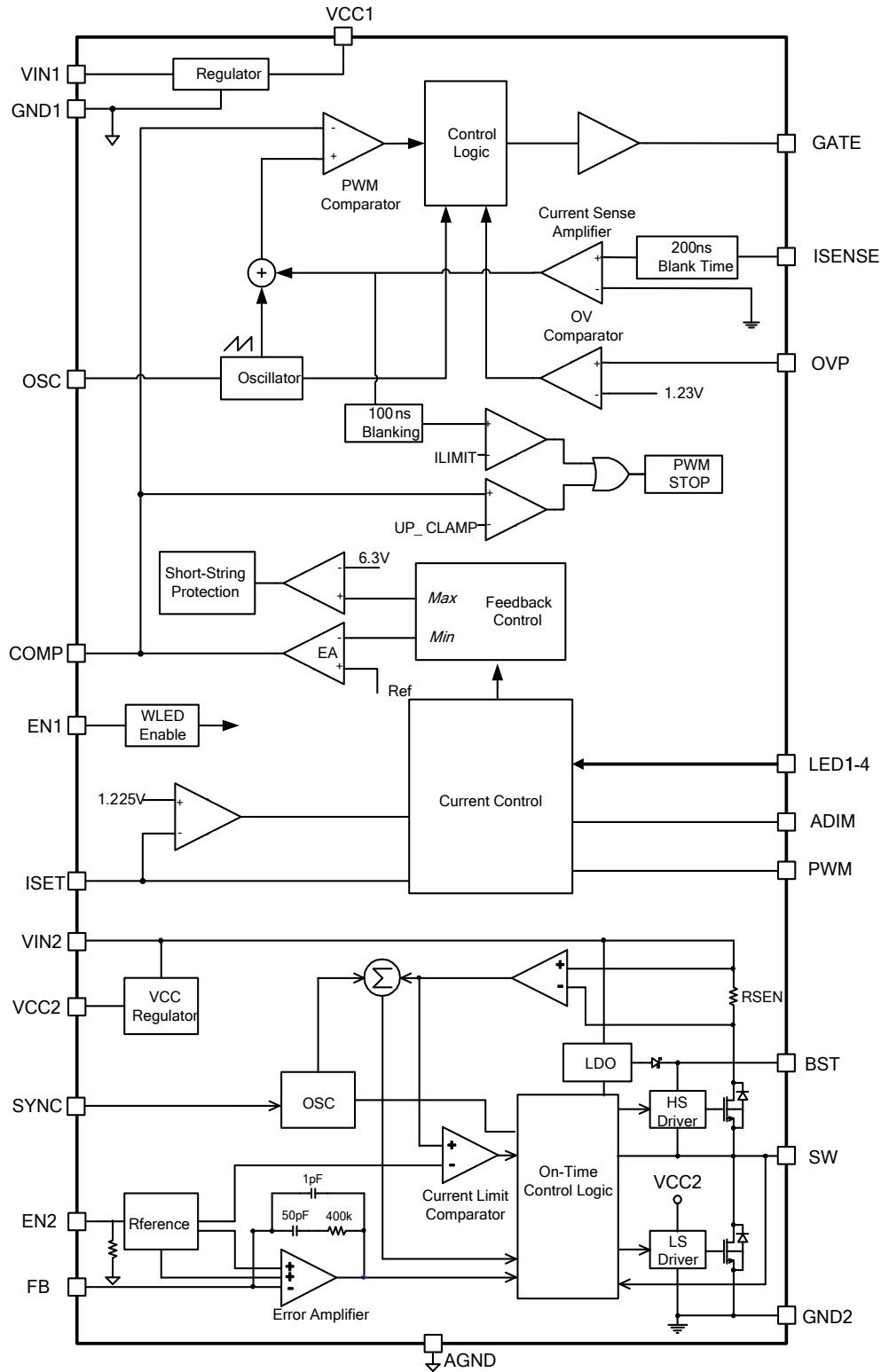


## PIN FUNCTIONS

Pin #	Name	Description
1	GND1	<b>Ground for WLED controller.</b>
2	OSC	<b>Switching frequency set.</b> Connect a resistor between OSC and GND to set the step-up converter switching frequency. The voltage at OSC is regulated to 1.23V. The clock frequency is proportional to the current sourced from OSC.
3	ISET	<b>LED current set.</b> Tie a current-setting resistor from ISET to ground to program the current in each LED string. The ISET voltage is regulated to 1.225V. The LED current is proportional to the current through the ISET resistor.
4	ADIM	<b>Input for analog brightness control.</b> The LED current amplitude is determined by ADIM, and the input signal can be either a PWM signal or a DC voltage signal. An internal RC filter (10M $\Omega$ resistor and 100pF capacitor) is integrated into ADIM. If a PWM signal is applied to ADIM, a >20kHz frequency is recommended for better PWM signal filtering performance to ensure that the amplitude voltage is higher than 1.5V, and the low-level voltage is less than 0.4V. For a DC signal input, apply a DC input signal ranging from 0.41V to 1.49V to set the LED current linearly from minimum to full scale. Internally pull to GND if ADIM is floated.
5	LED4	<b>LED string 4 current input.</b> LED4 is the open-drain output of an internal dimming control switch. Connect the LED string 4 cathode to LED4.
6	LED3	<b>LED string 3 current input.</b> LED3 is the open-drain output of an internal dimming control switch. Connect the LED string 3 cathode to LED3.
7	LED2	<b>LED string 2 current input.</b> LED2 is the open-drain output of an internal dimming control switch. Connect the LED string 2 cathode to LED2.
8	LED1	<b>LED string 1 current input.</b> LED1 is the open-drain output of an internal dimming control switch. Connect the LED string 1 cathode to LED1.
9	OVP	<b>Over-voltage protection input.</b> Connect a resistor divider from the output to OVP to program the OVP threshold.
10, 11	NC	<b>Not connected.</b>
12	FB	<b>Buck converter feedback.</b> An external resistor divider from the output to AGND tapped to FB sets the output voltage. To prevent current-limit runaway during a short-circuit fault condition, the frequency foldback comparator lowers the oscillator frequency when the FB voltage is below 400mV.
13	EN2	<b>Buck converter enable.</b> Pull EN2 high to enable the buck converter.
14	VCC2	<b>Bias supply for buck converter.</b> Decouple with a 0.1 $\mu$ F-0.22 $\mu$ F capacitor. The capacitance should be no more than 0.22 $\mu$ F.
15	VIN2	<b>Supply voltage input for buck converter.</b> A ceramic capacitor is needed to decouple the input rail. Use a wide PCB trace to make the connection.
16	SW	<b>Switch output for buck converter.</b> Use a wide PCB trace to make the connection.
17, 18	GND2	<b>Ground for buck converter.</b>
19	AGND	<b>Analog ground for buck converter.</b>

**PIN FUNCTIONS** *(continued)*

Pin #	Name	Description
20	BST	<b>Bootstrap for buck converter.</b> A capacitor and a 47Ω resistor connected between SW and BST are required to form a floating supply across the high-side switch driver.
21	SYNC	<b>Synchronization for buck converter.</b> Apply a clock signal with a frequency higher than 250KHz. The frequency of the buck converter can be synchronized by an external clock. The internal clock's rising edge is synchronized to the external clock's falling edge.
22	ISENSE	<b>Current sense input for WLED controller.</b> During normal operation, ISENSE senses the voltage across the external inductor current-sensing resistor ( $R_{SENSE}$ ) for peak-current-mode control and also limits the inductor current during every switching cycle.
23	GATE	<b>Power switch gate output for WLED controller.</b> GATE drives the external power N-channel MOSFET device.
24	VIN1	<b>Supply input for WLED controller.</b>
25	VCC1	<b>Internal 6V linear regulator output for WLED controller.</b> VCC1 provides a power supply for the external MOSFET switch gate driver and the internal control circuitry. Bypass VCC1 to GND with a ceramic capacitor.
26	COMP	<b>Error amplifier output of WLED controller.</b> Connect a capacitor and a resistor in series to make the boost converter loop stable.
27	EN1	<b>Enable input for WLED controller.</b>
28	PWM	<b>Input signal for PWM brightness control.</b> The PWM pin should be used for dimming and can not be used for turning on/off the WLED controller. Internally pull to GND if PWM is floated.

**BLOCK DIAGRAM**

**Figure 1: Functional Block Diagram**

## OPERATION

### WLED CONTROLLER SECTION:

The WLED controller employs a programmable, constant frequency, peak current mode, step-up converter with four channels that regulate current sources to drive an array of up to four strings of white LEDs.

#### Internal 6V Regulator

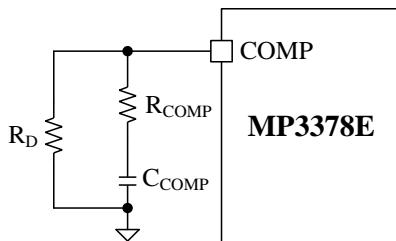
When VIN1 is greater than 6.5V, VCC1 outputs a 6V power supply to the external MOSFET switch gate driver and the internal control circuitry. The VCC1 voltage drops to 0V when the WLED controller shuts down.

#### System Start-Up

When enabled, the WLED controller checks the topology connection first. The WLED controller monitors the over-voltage protection (OVP) to see if the schottky diode is connected, or if the boost output is shorted to GND. An OVP voltage of less than 75mV will disable the WLED controller. Once all of the protection tests pass, the WLED controller then boosts the step-up converter with an internal soft start.

It is recommended that the enable signal occurs after the establishment of the input voltage and the PWM dimming signal during the start-up sequence to avoid a large inrush current. The PWM pin should be used for dimming function and can not be used for turning on/off the WLED controller.

If the PWM is used for turning on/off WLED controller in some applications, a resistor  $R_D$  is recommended to parallel with COMP pin as shown in figure 2. The recommended value for  $R_D$  is 1M  $\Omega$  -10M  $\Omega$ , considering the PWM frequency.



**Figure 2 COMP Connection for turning on/off WLED Controller with PWM signal**

### Step-Up Converter

The converter operating frequency is programmable through an external resistor on OSC. The operating frequency is recommended between 300kHz to 500kHz. This helps optimize efficiency and the size of the external components.

At the beginning of each switching cycle, the internal clock turns on the external MOSFET (in normal operation, the minimum turn-on time is 200ns). A stabilizing ramp added to the output of the current sense amplifier prevents sub harmonic oscillations for duty cycles greater than 50 percent. This result is fed into the PWM comparator. When this resulted voltage reaches the output voltage of the error amplifier ( $V_{COMP}$ ), the external MOSFET turns off.

The output voltage of the internal error amplifier is an amplified signal of the difference between the reference voltage and the feedback voltage.

Automatically, the converter chooses the lowest active LEDX voltage to provide a high enough bus voltage to power all the LED arrays.

If the feedback voltage drops below the reference, the output of the error amplifier increases. This results in more current flowing through the MOSFET, increasing the power delivered to the output. This forms a closed loop that regulates the output voltage.

Under light-load operation, especially in the case of  $V_{OUT1} \approx V_{IN1}$ , the converter runs in pulse-skipping mode, where the MOSFET turns on for a minimum on time of approximately 200ns before the converter discharges the power to the output for the remaining period. The external MOSFET remains off until the output voltage needs to be boosted again.

### Dimming Control

Two dimming methods, PWM and analog dimming mode, are allowed.

For PWM dimming, apply a PWM signal to PWM. The LED current is chopped by this PWM signal, and the average LED current is equal to  $I_{SET} * D_{DIM}$ , where  $D_{DIM}$  is the duty cycle of the PWM dimming signal, and  $I_{SET}$  is the LED current amplitude.

For analog dimming, either a PWM signal or a DC signal can be applied to ADIM.

When a PWM signal is applied to ADIM, this signal is filtered by the internal RC filter. The LED current amplitude is equal to  $I_{SET} \cdot D_{DIM}$ , where  $D_{DIM}$  is the duty cycle of the PWM dimming signal, and  $I_{SET}$  is the LED current amplitude. A 20kHz or higher PWM signal is recommended for better filtering performance. When a DC signal is applied to ADIM, the voltage ranging from 0.41V to 1.49V sets the LED current linearly from minimum to full scale directly.

### Open-String Protection

Open-string protection is achieved through OVP and LEDX (1 to 4). If one or more strings are open, the respective LEDXs are pulled to ground, and the WLED controller keeps charging the output voltage until it reaches the over-voltage protection (OVP) threshold. If the OVP point has been triggered for  $>4\mu s$ , the WLED controller stops switching and marks off the strings which have an LEDX voltage lower than 190mV. Once marked off, the remaining LED strings force the output voltage back into tight regulation. The string with the largest voltage drop determines the output regulation. If all strings are open, the WLED controller shuts down until the WLED controller resets.

### Short-String Protection

The WLED controller monitors the LEDX voltages to determine if a short-string fault has occurred. If one or more strings are shorted, the respective LEDXs tolerate high-voltage stress. If an LEDX voltage is higher than 6.3V, this condition triggers the detection of a short string. When a short-string fault (LEDX over-voltage fault) remains for 4,096 switching cycles, the fault string is marked off and disabled. Once a string is marked off, it disconnects from the output voltage loop. The marked LED strings shut off completely until the boost part restarts. In order to prevent mistripping the short LED protection when opening the LED string or sharp ADIM, the short LED protection function is disabled when the  $V_{LEDXS}$  of all used LED channels are higher than 1.5V.

### Inductor/Diode Short Protection

To prevent WLED controller and external MOSFET damage when the external inductor/diode is shorted, the protection mode operates in two methods.

When the inductor/diode is shorted, the output cannot maintain enough energy to load the LED, and the output voltage drops. Thus, the COMP (error amplifier output) voltage rises until it can be clamped high. If it lasts longer than 512 switching cycles, the WLED controller turns off and latches.

However, in some cases, the COMP voltage cannot be clamped to high when the inductor/diode is shorted. The WLED controller provides a protection mode by detecting the current flowing through the power MOSFET. In this mode, when the current senses voltage across the sense resistor (connected between MOSFET and GND) and hits the  $V_{LMT}$  limit value (lasting for 4 switching cycles), the WLED controller turns off and latches.

### Thermal Shutdown Protection

To prevent the WLED controller from operating at exceedingly high temperatures, a thermal shutdown is implemented in this chip and monitors the silicon die temperature. When the die temperature exceeds the upper threshold ( $T_{ST}$ ), the WLED controller shuts down. It returns to normal operation when the die temperature drops below the lower threshold. Typically, the hysteresis value is 25°C.



### **BUCK CONVERTER SECTION:**

The buck converter is a step-down, switch-mode converter with built-in internal power MOSFETs and offers a very compact solution. It operates in a fixed-frequency, peak-current-control mode to regulate the output voltage. A PWM cycle is initiated by an internal clock. The integrated high-side power MOSFET is turned on and remains on until its current reaches the value set by the COMP\_BUCK voltage (this COMP\_BUCK is one of the buck's internal control voltage, not the COMP pin). When the power switch is off, it remains off until the next clock cycle starts. If the current in the power MOSFET does not reach the COMP\_BUCK set current value in 95% of one PWM period, the power MOSFET is forced to turn off.

#### **Internal Regulator**

Most of the internal circuitries are powered by a 5V internal regulator. This regulator takes the VIN2 input and operates in the full VIN2 range. When VIN2 is greater than 5.0V, the output of the regulator is in full regulation. When VIN2 is lower than 5.0V, the output decreases. A 0.1 $\mu$ F ceramic capacitor is required for decoupling purposes.

#### **Error Amplifier**

The error amplifier compares the FB voltage with the internal 0.8V reference (REF) and outputs a COMP\_BUCK voltage, which is used to control the power MOSFET current. The optimized internal compensation network minimizes the external component count and simplifies the control loop design.

#### **SYNC Control**

The buck converter can be synchronized to an external clock ranging from 250kHz to 2MHz through SYNC. The internal clock's rising edge is synchronized to the external clock's falling edge. The synchronized logic high voltage should be higher than 1.8V, and the synchronized logic low voltage should be lower than 0.6V. The frequency of the external clock should be higher than the internal clock. Otherwise the internal clock may turn on the high-side MOSFET.

#### **Under-Voltage Lockout (UVLO)**

Under-voltage lockout (UVLO) is implemented to protect the buck converter from operating at insufficient supply voltages by monitoring the output voltage of the internal regulator (VCC2). The UVLO rising threshold is about 3.9V while its falling threshold is consistently 3.25V.

#### **Internal Soft Start (SS)**

The soft start is implemented to prevent the converter output voltage from overshooting during start-up. When the chip starts up, the internal circuitry generates a soft-start voltage (SS) and ramps up from 0V. The soft-start period lasts until the voltage of the soft-start capacitor exceeds the reference voltage of 0.8V. At this point, the reference voltage takes over. The soft-start time is set internally to around 1.5ms.

#### **Over-Current Protection and Hiccup Mode**

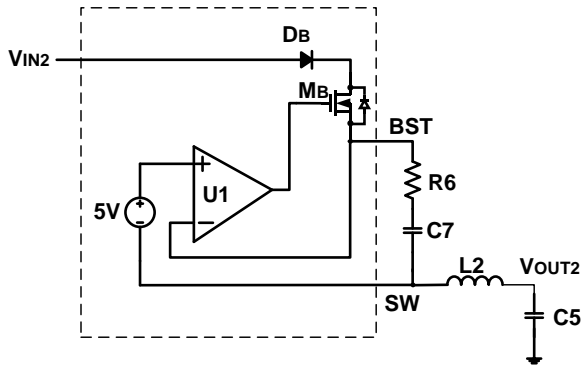
The cycle-by-cycle over-current limit is implemented when the inductor current peak value exceeds the set current limit threshold. The output voltage drops until FB is below the under-voltage (UV) threshold, typically 50% below the reference. Once UV is triggered, the buck converter enters hiccup mode to restart the part periodically. This protection mode is especially useful when the output is dead-shortened to ground. The average short-circuit current is greatly reduced to alleviate thermal issues and protect the regulator. The buck converter exits hiccup mode once the over-current condition is removed.

#### **Thermal Shutdown**

Thermal shutdown is implemented to prevent the chip from operating at exceedingly high temperatures. When the silicon die temperature is higher than 150°C, the buck converter shuts down. When the temperature is lower than its lower threshold, typically 130°C, the buck converter is enabled again.

### Floating Driver and Bootstrap Charging

The floating power MOSFET driver is powered by an external bootstrap capacitor. This floating driver has its own UVLO protection. The UVLO rising threshold is 2.2V with a hysteresis of 150mV. The bootstrap capacitor voltage is regulated internally by VIN2 through DB, R6, C7, L2, and C5 (see Figure 3). If VIN2-VSW is more than 5V, then U1 will regulate MB to maintain a 5V BST voltage across C7.



**Figure 3: Internal Bootstrap Charging Circuit**

### Start-Up and Shutdown

If VIN2 is higher than its appropriate thresholds, the buck converter starts up. The reference block starts first, generating stable reference voltages and currents, and then the internal regulator is enabled. The regulator provides a stable supply for the remaining circuitries.

Three events can shut down the buck converter: EN2 low, VIN2 UVLO, and thermal shutdown. During the shutdown procedure, the signaling path is first blocked to avoid any fault triggering. The COMP voltage and the internal supply rail are then pulled down. The floating driver is not subject to this shutdown command.



## APPLICATION INFORMATION

### WLED CONTROLLER SECTION:

#### Selecting the Switching Frequency

The switching frequency of the step-up converter is recommended to be between 300kHz to 500kHz for most applications. An oscillator resistor on OSC sets the internal oscillator frequency for the step-up converter, according to Equation (1):

$$F_{SW1}(\text{KHz}) = \frac{67320}{R_{osc}(\text{K}\Omega)} \quad (1)$$

When  $R_{OSC}=224\text{k}\Omega$ , the switching frequency is set to 300kHz.

#### Setting the LED Current

Each LED string current can be set through the current setting resistor on ISET using Equation (2):

$$I_{LED}(\text{mA}) = \frac{795 \times 1.23}{R_{SET}(\text{K}\Omega)} \quad (2)$$

When  $R_{SET}=8.06\text{k}\Omega$ , the LED current is set to 120mA. Do NOT leave ISET open.

#### Selecting the Input Capacitor

The input capacitor reduces the surge current drawn from the input supply and the switching noise from the device. The input capacitor impedance at the switching frequency should be less than the input source impedance to prevent the high-frequency switching current from passing through to the input. Ceramic capacitors with X5R or X7R dielectrics are recommended because of their low ESR and small temperature coefficients. For most applications, use a  $4.7\mu\text{F}$  ceramic capacitor in parallel with a  $220\mu\text{F}$  electrolytic capacitor.

#### Selecting the Inductor and Current Sensing Resistor

A larger value inductor results in less ripple current, lower peak inductor currents, and reduced stress on the N-channel MOSFET. However, the larger value inductor has a larger physical size, a higher series resistance, and a lower saturation current.

Choose an inductor that does not saturate under the worst-case load conditions. Select the

minimum inductor value to ensure that the boost converter works in continuous conduction mode with high efficiency and good EMI performance. Calculate the required inductance values using Equation (3) and Equation (4):

$$L1 \geq \frac{\eta \times V_{OUT1} \times D \times (1-D)^2}{2 \times f_{SW1} \times I_{LOAD1}} \quad (3)$$

$$D = 1 - \frac{V_{IN1}}{V_{OUT1}} \quad (4)$$

Where  $V_{IN1}$  and  $V_{OUT1}$  are the input and output voltages,  $f_{SW1}$  is the switching frequency,  $I_{LOAD1}$  is the total LED load current, and  $\eta$  is the efficiency.

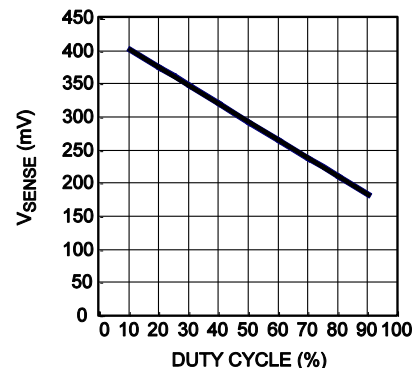
Usually, the switching current is used for peak-current-mode control. To avoid hitting the current limit, the voltage across the sensing resistor ( $R_{SENSE}$ ) must be less than 80% of the worst-case current-limit voltage ( $V_{SENSE}$ ). See Equation (5) and Equation (6):

$$R_{SENSE} = \frac{0.8 \times V_{SENSE}}{I_{L1(PEAK)}} \quad (5)$$

$$I_{L1(PEAK)} = \frac{V_{OUT1} \times I_{LOAD1}}{\eta V_{IN1}} + \frac{V_{IN1} \times (V_{OUT1} - V_{IN1})}{2 \times L1 \times F_{SW1} \times V_{OUT1}} \quad (6)$$

Where  $I_{L1(PEAK)}$  is the peak value of the inductor current.  $V_{SENSE}$  is shown in Figure 4.

**Vsense vs. Duty Cycle**



**Figure 4: V<sub>SENSE</sub> vs. Duty Cycle**

### Selecting the Power MOSFET

The critical parameters for selecting a MOSFET are listed below:

1. Maximum drain-to-source voltage,  $V_{DS(MAX)}$ .
2. Maximum current,  $I_{D(MAX)}$ .
3. On-resistance,  $R_{DS(ON)}$ .
4. Gate source charge ( $Q_{GS}$ ) and gate drain charge ( $Q_{GD}$ ).
5. Total gate charge ( $Q_G$ ).

Ideally, the off-state voltage across the MOSFET is equal to the output voltage. Considering the voltage spike when it turns off,  $V_{DS(MAX)}$  should be greater than 1.5 times the output voltage.

The maximum current through the power MOSFET occurs at the minimum input voltage and the maximum output power. The maximum RMS current through the MOSFET is given by Equation (7) and Equation (8):

$$I_{RMS(MAX)} = I_{IN1(MAX)} \times \sqrt{D_{MAX}}, \text{ where:} \quad (7)$$

$$D_{MAX} \approx \frac{V_{OUT1} - V_{IN1(MIN)}}{V_{OUT1}} \quad (8)$$

The current rating of the MOSFET should be greater than  $1.5 \times I_{RMS}$ .

The on resistance of the MOSFET determines the conduction loss, which is given by Equation (9):

$$P_{cond} = I_{RMS}^2 \times R_{DS(on)} \times k \quad (9)$$

Where  $k$  is the temperature coefficient of the MOSFET.

The switching loss is related to  $Q_{GD}$  and  $Q_{GS1}$ , which determine the commutation time.  $Q_{GS1}$  is the charge between the threshold voltage and the plateau voltage when a driver charges the gate, which can be read in the  $V_{GS}$  vs  $Q_G$  chart of the MOSFET datasheet.  $Q_{GD}$  is the charge during the plateau voltage. These two parameters are needed to estimate the turn-on and turn-off losses and can be calculated with Equation (10):

$$P_{sw} = \frac{Q_{GS1} \times R_G}{V_{DR} - V_{TH}} \times V_{DS} \times I_{IN1} \times f_{SW1} + \frac{Q_{GD} \times R_G}{V_{DR} - V_{PLT}} \times V_{DS} \times I_{IN1} \times f_{SW1} \quad (10)$$

Where  $V_{TH}$  is the threshold voltage,  $V_{PLT}$  is the plateau voltage,  $R_G$  is the gate resistance, and  $V_{DS}$  is the drain source voltage. Please note that calculating the switching loss is the most difficult part in the loss estimation. The formula above is a simplified equation. For a more accurate estimation, the equation becomes much more complex.

The total gate charge ( $Q_G$ ) is used to calculate the gate drive loss. See Equation (11):

$$P_{DR} = Q_G \times V_{DR} \times f_{SW1} \quad (11)$$

Where  $V_{DR}$  is the drive voltage.

### Selecting the Output Capacitor

The output capacitor keeps the output voltage ripple small and ensures feedback loop stability. The output capacitor impedance must be low at the switching frequency. Ceramic capacitors with X7R dielectrics are recommended for their low ESR characteristics. For most applications, a 4.7 $\mu$ F ceramic capacitor in parallel with a 22 $\mu$ F electrolytic capacitor is sufficient.

### Setting the Over-Voltage Protection

The open-string protection is achieved through the detection of the voltage on OVP. In some cases, an LED string failure results in a feedback voltage of zero. The part then boosts the output voltage higher and higher. If the output voltage reaches the programmed OVP threshold, the protection will be triggered.

To ensure the chip functions properly, select the resistor values for the OVP resistor divider to provide an appropriate set voltage. The recommended OVP point is about 1.1 to 1.2 times higher than the output voltage for normal operation. See Equation (12):

$$V_{OVP} = 1.23 \times \left(1 + \frac{R_{HIGH}}{R_{LOW}}\right) \quad (12)$$

### Selecting the Dimming Control Mode

Two different dimming methods are provided:

#### 1. Direct PWM Dimming

An external PWM dimming signal is employed to achieve PWM dimming control. Apply a PWM dimming signal (ranging from 100Hz to 20kHz) to PWM. The minimum recommended amplitude of the PWM signal is 1.5V, and the low level should be less than 0.4V (see Table 1).

**Table 1: The Range of PWM Dimming Duty**

$f_{PWM}$ (Hz)	$D_{min}$	$D_{max}$
$100 < f \leq 200$	0.30%	100%
$200 < f \leq 500$	0.75%	100%
$500 < f \leq 1k$	1.50%	100%
$1k < f \leq 2k$	3.00%	100%
$2k < f \leq 5k$	7.50%	100%
$5k < f \leq 10k$	15.00%	100%
$10k < f \leq 20k$	30.00%	100%

## 2. Analog Dimming

For analog dimming, apply a PWM signal or a DC voltage signal to ADIM. An internal RC filter (10M $\Omega$  resistor and 100pF capacitor) is integrated to ADIM. If a PWM signal is applied to ADIM, a >20kHz frequency is recommended for better PWM signal filtering performance and to ensure the amplitude voltage is higher than 1.5V, and the low-level voltage is less than 0.4V. For the DC signal input, apply a DC input signal ranging from 0.41V to 1.49V to set the LED current from minimum to full scale linearly.

## BUCK CONVERTER SECTION:

### Setting the Output Voltage

The external resistor divider is used to set the output voltage. The feedback resistor R1 also sets the feedback loop bandwidth with the internal compensation capacitor. When R1 is fixed, R2 is then given by Equation (13):

$$R2 = \frac{R1}{\frac{V_{OUT2}}{0.8V} - 1} \quad (13)$$

The T-type network is highly recommended (see Figure 5).

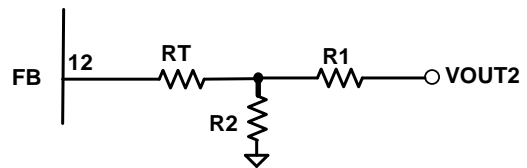

**Figure 5: T-type Network**

Table 2 below lists the recommended T-type resistor values for the common 5V output voltage.

**Table 2: Resistor Selection for Common Output Voltages**

$V_{OUT2}$ (V)	R1 (k $\Omega$ )	R2 (k $\Omega$ )	RT (k $\Omega$ )	L2 ( $\mu$ H)	Co ( $\mu$ F)
5	40.2	7.5	51	10	66

### Selecting the Inductor

A 4.7 $\mu$ H to 10 $\mu$ H inductor with a DC current rating at least 25% higher than the maximum load current is recommended for most applications. For the highest efficiency, the inductor DC resistance should be less than 15m $\Omega$ . For most designs, the inductance value can be derived from Equation (14):

$$L2 = \frac{V_{OUT2} \times (V_{IN2} - V_{OUT2})}{V_{IN2} \times \Delta I_{L2} \times F_{OSC}} \quad (14)$$

Where  $\Delta I_{L2}$  is the inductor ripple current.

Set the inductor current to be approximately 30% of the maximum load current. The maximum inductor peak current is calculated with Equation (15):

$$I_{L2(MAX)} = I_{LOAD2} + \frac{\Delta I_{L2}}{2} \quad (15)$$

Under light-load conditions below 100mA, a larger inductance is recommended for improved efficiency.

### Selecting the Input Capacitor

The input current to the step-down converter is discontinuous, and therefore a capacitor is required to supply the AC current to the step-down converter while maintaining the DC input voltage. Use low ESR capacitors for the best performance. Ceramic capacitors with X5R or X7R dielectrics are highly recommended because of their low ESR and small temperature coefficients. For most applications, a 22µF capacitor is sufficient.

Since the input capacitor (C4) absorbs the input switching current, it requires an adequate ripple current rating. The RMS current in the input capacitor can be estimated by Equation (16):

$$I_{C4} = I_{LOAD2} \times \sqrt{\frac{V_{OUT2}}{V_{IN2}} \times \left(1 - \frac{V_{OUT2}}{V_{IN2}}\right)} \quad (16)$$

The worse-case condition occurs at  $V_{IN2} = 2V_{OUT2}$ , shown in Equation (17):

$$I_{C4} = \frac{I_{LOAD2}}{2} \quad (17)$$

For simplification, choose an input capacitor with an RMS current rating greater than half of the maximum load current.

The input capacitor can be electrolytic, tantalum, or ceramic. When electrolytic or tantalum capacitors are used, a small, high-quality ceramic capacitor (i.e. 0.1µF) should be placed as close to the IC as possible. When using ceramic capacitors, make sure that they have enough capacitance to provide a sufficient enough charge to prevent excessive voltage ripple at the input. The input voltage ripple caused by capacitance can be estimated with Equation (18):

$$\Delta V_{IN2} = \frac{I_{LOAD2}}{F_{SW2} \times C4} \times \frac{V_{OUT2}}{V_{IN2}} \times \left(1 - \frac{V_{OUT2}}{V_{IN2}}\right) \quad (18)$$

### Selecting the Output Capacitor

The output capacitor C5 is required to maintain the DC output voltage. Ceramic, tantalum, or low ESR electrolytic capacitors are recommended. Low ESR capacitors are preferred to keep the

output voltage ripple low. The output voltage ripple can be estimated with Equation (19):

$$\Delta V_{OUT2} = \frac{V_{OUT2}}{F_{SW2} \times L2} \times \left(1 - \frac{V_{OUT2}}{V_{IN2}}\right) \times \left(R_{ESR} + \frac{1}{8 \times F_{SW2} \times C5}\right) \quad (19)$$

Where L2 is the inductor value and  $R_{ESR}$  is the equivalent series resistance (ESR) value of the output capacitor.

When using ceramic capacitors, the impedance at the switching frequency is dominated by the capacitance, which mainly causes the output voltage ripple. For simplification, the output voltage ripple can be estimated with Equation (20):

$$\Delta V_{OUT2} = \frac{V_{OUT2}}{8 \times F_{SW2}^2 \times L2 \times C5} \times \left(1 - \frac{V_{OUT2}}{V_{IN2}}\right) \quad (20)$$

When using tantalum or electrolytic capacitors, the ESR dominates the impedance at the switching frequency. For simplification, the output ripple can be approximated with Equation (21):

$$\Delta V_{OUT2} = \frac{V_{OUT2}}{F_{SW2} \times L2} \times \left(1 - \frac{V_{OUT2}}{V_{IN2}}\right) \times R_{ESR} \quad (21)$$

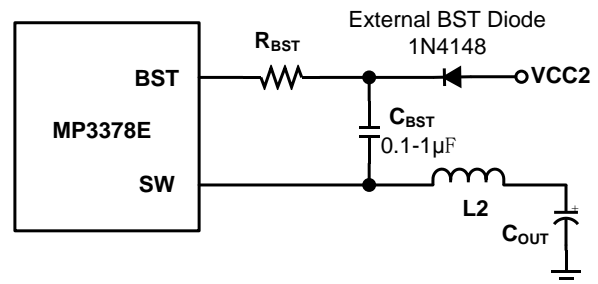
The characteristics of the output capacitor affect the stability of the regulation system.

### External Bootstrap Diode

An external bootstrap diode may enhance the efficiency of the regulator. The applicable conditions of the external BST diode are:

- $V_{OUT2}$  is 5V or 3.3V;
- duty cycle is high:  $D = \frac{V_{OUT2}}{V_{IN2}} > 65\%$

In these cases, an external BST diode from VCC2 to BST is recommended (see Figure 6). The recommended external BST diode is 1N4148, and the BST cap is 0.1–1µF.



**Figure 6: Add Optional External Bootstrap Diode to Enhance Efficiency**

### PCB Layout Guidelines

Efficient PCB layout is critical for achieving stable operation. If the layout is not done carefully, the regulator can show poor line or load regulation. For best results, refer to Figure 7 and Figure 8 and follow the guidelines below:

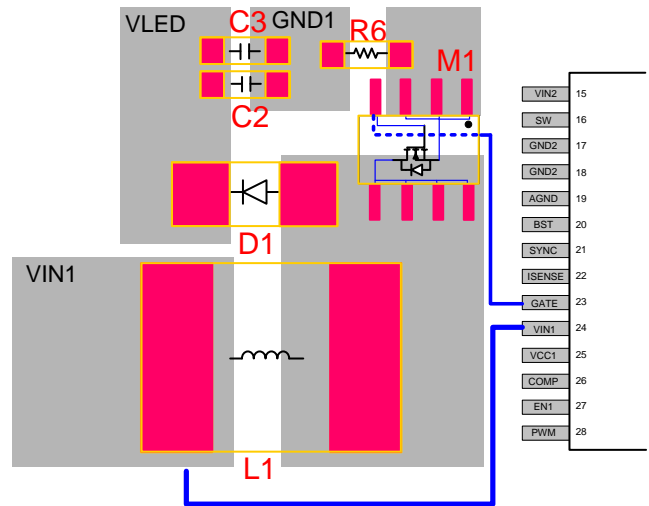
For the WLED converter (see Figure 7):

1. Keep the loop from the external MOSFET (M1), the output diode (D1), and the output capacitors (C2, C3) as small and short as possible to reduce EMI noise.
2. Separate the power ground and signal ground.
3. Connect PGND and GND.

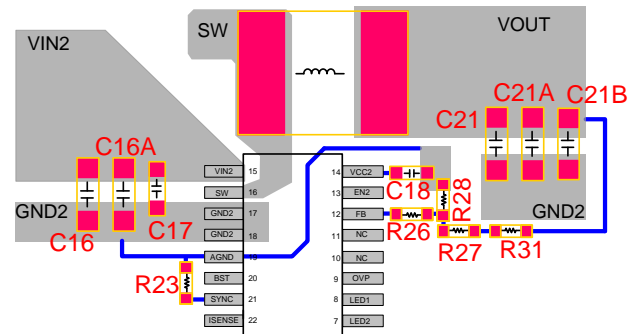
*NOTE: All logic signals refer to the signal ground.*

For the buck converter (see Figure 8):

1. Keep the connection of input ground and GND2 (PGND) as short and wide as possible.
2. Keep the connection of the input capacitors (C16, C16A, C17) and VIN2 as short and wide as possible.
3. Ensure that all feedback connections are short and direct.
4. Place the feedback resistors and compensation components as close to the chip as possible.
5. Route SW away from sensitive analog areas, such as FB.
6. Connect a resistor (R23) to AGND, as SYNC is sensitive to noise. Otherwise, the SCP may fail, and the buck converter may be damaged.
7. Connect GND1 and GND2 together by a single point.



**Figure 7: Recommended Boost Driver Layout**



**Figure 8: Recommended Buck Converter Layout**

### TYPICAL APPLICATION CIRCUITS

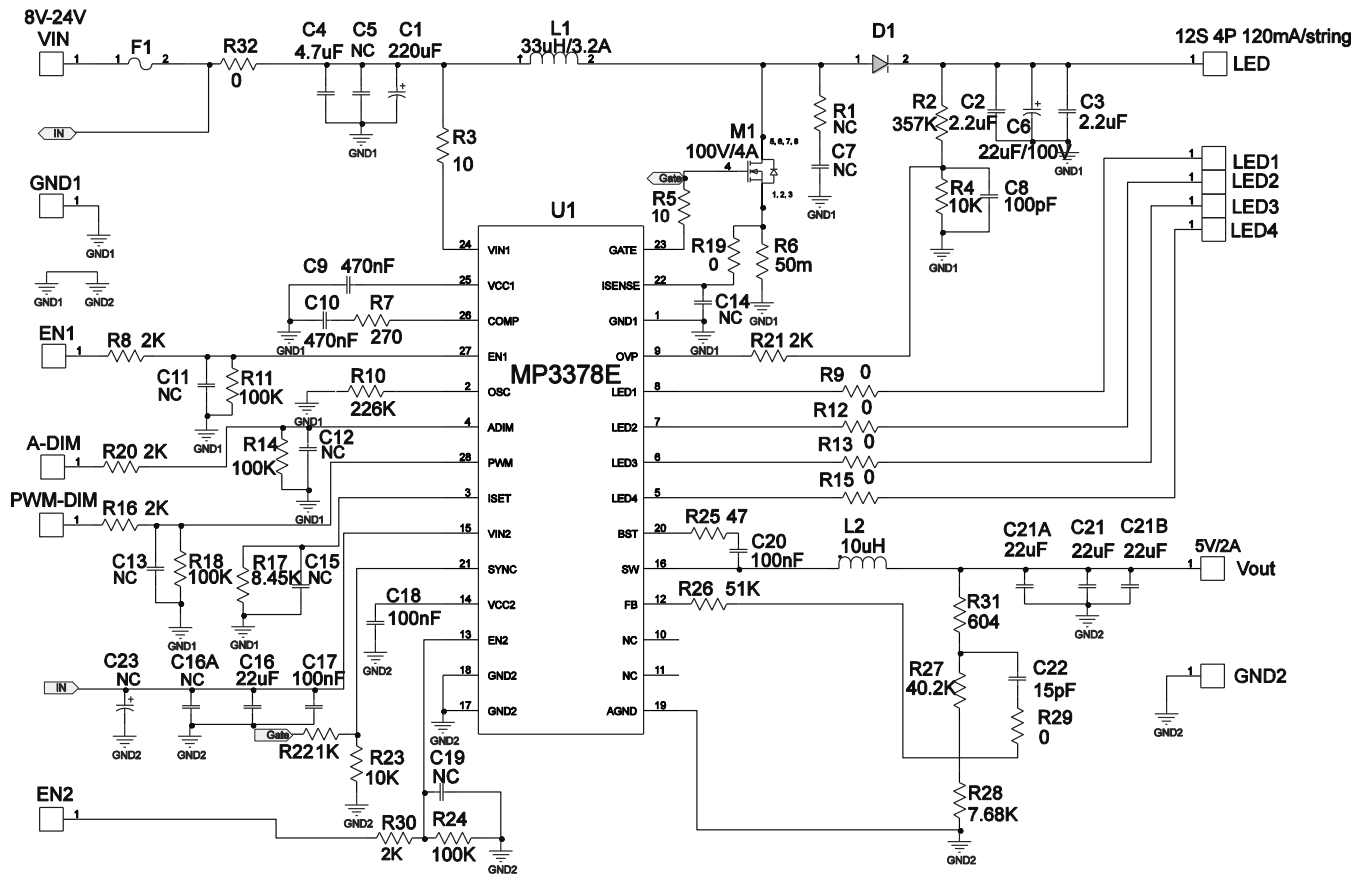
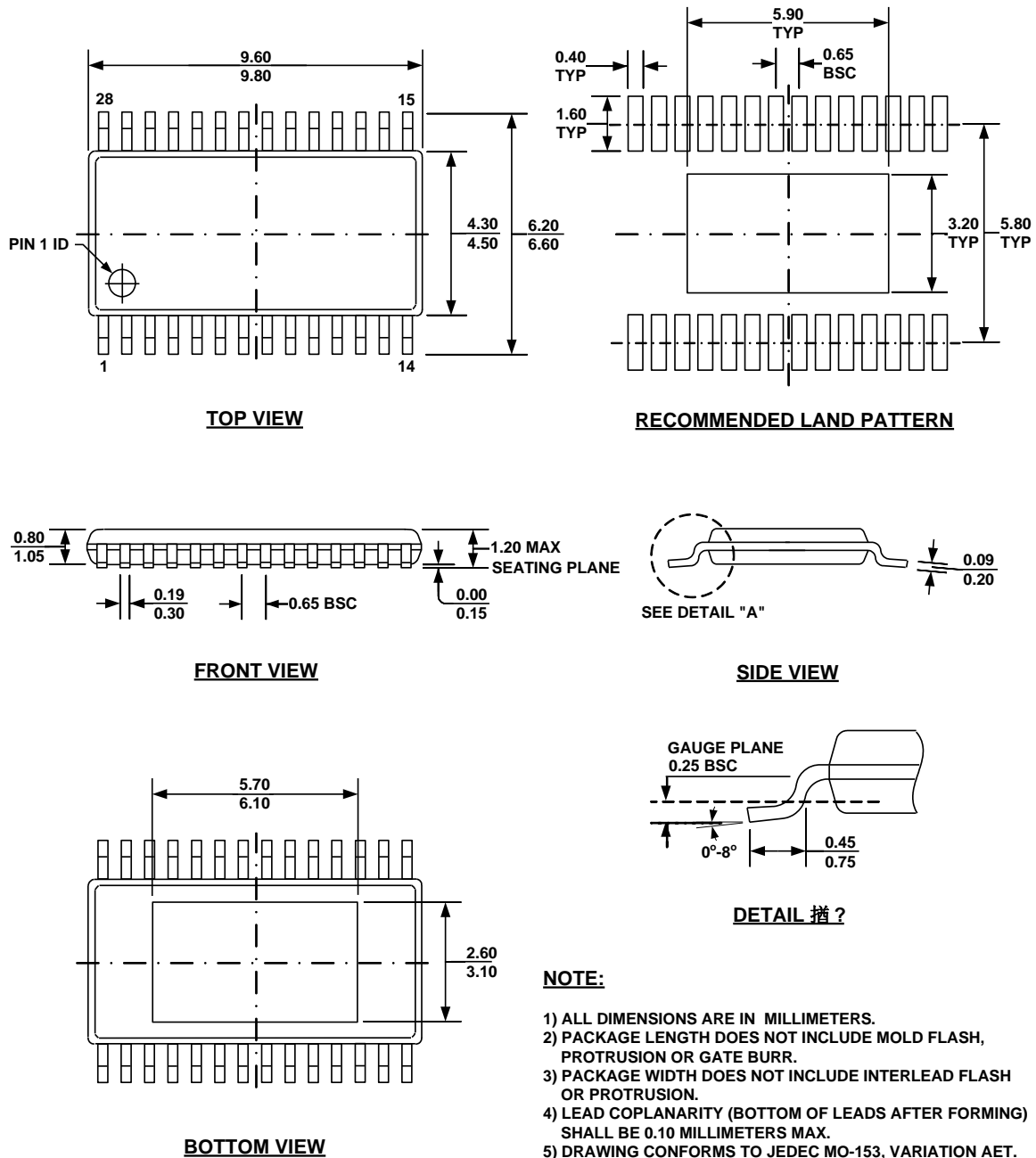


Figure 9: 4-String, 12-LED In-Series, 120mA/String Plus 5V Output Application



**PACKAGE INFORMATION**
**TSSOP-28 EP**


**NOTICE:** The information in this document is subject to change without notice. Users should warrant and guarantee that third party Intellectual Property rights are not infringed upon when integrating MPS products into any application. MPS will not assume any legal responsibility for any said applications.



Компания «ЭлектроПласт» предлагает заключение долгосрочных отношений при поставках импортных электронных компонентов на взаимовыгодных условиях!

Наши преимущества:

- Оперативные поставки широкого спектра электронных компонентов отечественного и импортного производства напрямую от производителей и с крупнейших мировых складов;
- Поставка более 17-ти миллионов наименований электронных компонентов;
- Поставка сложных, дефицитных, либо снятых с производства позиций;
- Оперативные сроки поставки под заказ (от 5 рабочих дней);
- Экспресс доставка в любую точку России;
- Техническая поддержка проекта, помощь в подборе аналогов, поставка прототипов;
- Система менеджмента качества сертифицирована по Международному стандарту ISO 9001;
- Лицензия ФСБ на осуществление работ с использованием сведений, составляющих государственную тайну;
- Поставка специализированных компонентов (Xilinx, Altera, Analog Devices, Intersil, Interpoint, Microsemi, Aeroflex, Peregrine, Syfer, Eurofarad, Texas Instrument, Miteq, Cobham, E2V, MA-COM, Hittite, Mini-Circuits, General Dynamics и др.);

Помимо этого, одним из направлений компании «ЭлектроПласт» является направление «Источники питания». Мы предлагаем Вам помощь Конструкторского отдела:

- Подбор оптимального решения, техническое обоснование при выборе компонента;
- Подбор аналогов;
- Консультации по применению компонента;
- Поставка образцов и прототипов;
- Техническая поддержка проекта;
- Защита от снятия компонента с производства.



#### Как с нами связаться

**Телефон:** 8 (812) 309 58 32 (многоканальный)

**Факс:** 8 (812) 320-02-42

**Электронная почта:** [org@eplast1.ru](mailto:org@eplast1.ru)

**Адрес:** 198099, г. Санкт-Петербург, ул. Калинина, дом 2, корпус 4, литера А.