

# nRF52832 Product Specification v1.3

| Key features   | Applications   |
|--|--|
| <ul style="list-style-type: none"> <li>• 2.4 GHz transceiver               <ul style="list-style-type: none"> <li>• -96 dBm sensitivity in <i>Bluetooth</i><sup>®</sup> low energy mode</li> <li>• 2 Mbps <i>Bluetooth</i><sup>®</sup> low energy mode</li> <li>• 1 Mbps, 2 Mbps supported data rates</li> <li>• TX power -20 to +4 dBm in 4 dB steps</li> <li>• Single-pin antenna interface</li> <li>• 5.3 mA peak current in TX (0 dBm)</li> <li>• 5.4 mA peak current in RX</li> <li>• RSSI (1 dB resolution)</li> </ul> </li> <li>• ARM<sup>®</sup> Cortex<sup>®</sup>-M4 32-bit processor with FPU, 64 MHz               <ul style="list-style-type: none"> <li>• 215 EEMBC CoreMark<sup>®</sup> score running from flash memory</li> <li>• 58 µA/MHz running from flash memory</li> <li>• 51.6 µA/MHz running from RAM</li> <li>• Data watchpoint and trace (DWT), embedded trace macrocell (ETM), and instrumentation trace macrocell (ITM)</li> <li>• Serial wire debug (SWD)</li> <li>• Trace port</li> </ul> </li> <li>• Flexible power management               <ul style="list-style-type: none"> <li>• Supply voltage range 1.7 V–3.6 V</li> <li>• Fully automatic LDO and DC/DC regulator system</li> <li>• Fast wake-up using 64 MHz internal oscillator</li> <li>• 0.3 µA at 3 V in OFF mode</li> <li>• 0.7 µA at 3 V in OFF mode with full 64 kB RAM retention</li> <li>• 1.9 µA at 3 V in ON mode, no RAM retention, wake on RTC</li> </ul> </li> <li>• Memory               <ul style="list-style-type: none"> <li>• 512 kB flash/64 kB RAM</li> <li>• 256 kB flash/32 kB RAM</li> </ul> </li> <li>• Nordic SoftDevice ready</li> <li>• Support for concurrent multi-protocol</li> <li>• Type 2 near field communication (NFC-A) tag with wakeup-on-field and touch-to-pair capabilities</li> <li>• 12-bit, 200 ksp/s ADC - 8 configurable channels with programmable gain</li> <li>• 64 level comparator</li> <li>• 15 level low power comparator with wakeup from System OFF mode</li> <li>• Temperature sensor</li> <li>• 32 general purpose I/O pins</li> <li>• 3x 4-channel pulse width modulator (PWM) units with EasyDMA</li> <li>• Digital microphone interface (PDM)</li> <li>• 5x 32-bit timers with counter mode</li> <li>• Up to 3x SPI master/slave with EasyDMA</li> <li>• Up to 2x I2C compatible 2-Wire master/slave</li> <li>• I2S with EasyDMA</li> <li>• UART (CTS/RTS) with EasyDMA</li> <li>• Programmable peripheral interconnect (PPI)</li> <li>• Quadrature decoder (QDEC)</li> <li>• AES HW encryption with EasyDMA</li> <li>• Autonomous peripheral operation without CPU intervention using PPI and EasyDMA</li> <li>• 3x real-time counter (RTC)</li> <li>• External system               <ul style="list-style-type: none"> <li>• Single crystal operation</li> <li>• On-chip balun (single-ended RF)</li> <li>• Few external components</li> </ul> </li> <li>• Package variants               <ul style="list-style-type: none"> <li>• QFN48 package, 6 × 6 mm</li> <li>• WLCSP package, 3.0 × 3.2 mm</li> </ul> </li> </ul> | <ul style="list-style-type: none"> <li>• Internet of Things (IoT)               <ul style="list-style-type: none"> <li>• Home automation</li> <li>• Sensor networks</li> <li>• Building automation</li> <li>• Industrial</li> <li>• Retail</li> </ul> </li> <li>• Personal area networks               <ul style="list-style-type: none"> <li>• Health/fitness sensor and monitor devices</li> <li>• Medical devices</li> <li>• Key fobs and wrist watches</li> </ul> </li> <li>• Interactive entertainment devices               <ul style="list-style-type: none"> <li>• Remote controls</li> <li>• Gaming controllers</li> </ul> </li> <li>• Beacons               <ul style="list-style-type: none"> <li>• A4WP wireless chargers and devices</li> <li>• Remote control toys</li> <li>• Computer peripherals and I/O devices</li> </ul> </li> <li>• Mouse</li> <li>• Keyboard</li> <li>• Multi-touch trackpad</li> <li>• Gaming</li> </ul> |

All rights reserved.

Reproduction in whole or in part is prohibited without the prior written permission of the copyright holder.  
2017-02-03

# Contents

|  |           |
|--|-----------|
| <b>1 Revision history.....</b>                                       | <b>9</b>  |
| <b>2 About this document.....</b>                                    | <b>10</b> |
| 2.1 Peripheral naming and abbreviations.....                         | 10        |
| 2.2 Register tables.....   | 10        |
| 2.3 Registers.....   | 11        |
| <b>3 Block diagram.....</b>  | <b>12</b> |
| <b>4 Pin assignments.....</b>  | <b>13</b> |
| 4.1 QFN48 pin assignments.....                                       | 13        |
| 4.2 WLCSP ball assignments.....                                      | 15        |
| 4.3 GPIO usage restrictions.....                                     | 17        |
| <b>5 Absolute maximum ratings.....</b>                               | <b>19</b> |
| <b>6 Recommended operating conditions.....</b>                       | <b>20</b> |
| <b>7 CPU.....</b>  | <b>21</b> |
| 7.1 Floating point interrupt.....                                    | 21        |
| 7.2 Electrical specification.....                                    | 21        |
| 7.3 CPU and support module configuration.....                        | 22        |
| <b>8 Memory.....</b>   | <b>23</b> |
| 8.1 RAM - Random access memory.....                                  | 23        |
| 8.2 Flash - Non-volatile memory.....                                 | 24        |
| 8.3 Memory map.....  | 24        |
| 8.4 Instantiation.....   | 24        |
| <b>9 AHB multilayer.....</b>   | <b>26</b> |
| 9.1 AHB multilayer priorities.....                                   | 26        |
| <b>10 EasyDMA.....</b>   | <b>27</b> |
| 10.1 EasyDMA array list.....   | 28        |
| <b>11 NVMC — Non-volatile memory controller.....</b>                 | <b>29</b> |
| 11.1 Writing to Flash.....   | 29        |
| 11.2 Erasing a page in Flash.....                                    | 29        |
| 11.3 Writing to user information configuration registers (UICR)..... | 29        |
| 11.4 Erasing user information configuration registers (UICR).....    | 29        |
| 11.5 Erase all.....  | 30        |
| 11.6 Cache.....  | 30        |
| 11.7 Registers.....  | 30        |
| 11.8 Electrical specification.....                                   | 33        |
| <b>12 BPROT — Block protection.....</b>                              | <b>34</b> |
| 12.1 Registers.....  | 34        |
| <b>13 FICR — Factory information configuration registers.....</b>    | <b>43</b> |
| 13.1 Registers.....  | 43        |
| <b>14 UICR — User information configuration registers.....</b>       | <b>54</b> |
| 14.1 Registers.....  | 54        |
| <b>15 Peripheral interface.....</b>                                  | <b>68</b> |
| 15.1 Peripheral ID.....  | 68        |
| 15.2 Peripherals with shared ID.....                                 | 68        |
| 15.3 Peripheral registers.....                                       | 69        |
| 15.4 Bit set and clear.....  | 69        |
| 15.5 Tasks.....  | 69        |
| 15.6 Events.....   | 70        |
| 15.7 Shortcuts.....  | 70        |
| 15.8 Interrupts.....   | 70        |

|  |            |
|--|------------|
| <b>16 Debug and trace</b> .....                            | <b>72</b>  |
| 16.1 DAP - Debug Access Port.....                          | 72         |
| 16.2 CTRL-AP - Control Access Port.....                    | 73         |
| 16.3 Debug interface mode.....                             | 74         |
| 16.4 Real-time debug.....                                  | 74         |
| 16.5 Trace.....  | 75         |
| <b>17 Power and clock management</b> .....                 | <b>76</b>  |
| 17.1 Current consumption scenarios.....                    | 76         |
| <b>18 POWER — Power supply</b> .....                       | <b>78</b>  |
| 18.1 Regulators.....                                       | 78         |
| 18.2 System OFF mode.....                                  | 79         |
| 18.3 System ON mode.....                                   | 80         |
| 18.4 Power supply supervisor.....                          | 80         |
| 18.5 RAM sections.....                                     | 82         |
| 18.6 Reset.....  | 82         |
| 18.7 Retained registers.....                               | 83         |
| 18.8 Reset behavior.....                                   | 83         |
| 18.9 Registers.....  | 83         |
| 18.10 Electrical specification.....                        | 99         |
| <b>19 CLOCK — Clock control</b> .....                      | <b>101</b> |
| 19.1 HFCLK clock controller.....                           | 101        |
| 19.2 LFCLK clock controller.....                           | 103        |
| 19.3 Registers.....  | 105        |
| 19.4 Electrical specification.....                         | 109        |
| <b>20 GPIO — General purpose input/output</b> .....        | <b>111</b> |
| 20.1 Pin configuration.....                                | 111        |
| 20.2 GPIO located near the RADIO.....                      | 113        |
| 20.3 Registers.....  | 113        |
| 20.4 Electrical specification.....                         | 154        |
| <b>21 GPIOTE — GPIO tasks and events</b> .....             | <b>157</b> |
| 21.1 Pin events and tasks.....                             | 157        |
| 21.2 Port event.....                                       | 158        |
| 21.3 Tasks and events pin configuration.....               | 158        |
| 21.4 Registers.....  | 158        |
| 21.5 Electrical specification.....                         | 167        |
| <b>22 PPI — Programmable peripheral interconnect</b> ..... | <b>168</b> |
| 22.1 Pre-programmed channels.....                          | 169        |
| 22.2 Registers.....  | 169        |
| <b>23 RADIO — 2.4 GHz Radio</b> .....                      | <b>205</b> |
| 23.1 EasyDMA.....  | 205        |
| 23.2 Packet configuration.....                             | 206        |
| 23.3 Maximum packet length.....                            | 207        |
| 23.4 Address configuration.....                            | 207        |
| 23.5 Data whitening.....                                   | 207        |
| 23.6 CRC.....  | 208        |
| 23.7 Radio states.....                                     | 209        |
| 23.8 Transmit sequence.....                                | 209        |
| 23.9 Receive sequence.....                                 | 211        |
| 23.10 Received Signal Strength Indicator (RSSI).....       | 212        |
| 23.11 Interframe spacing.....                              | 212        |
| 23.12 Device address match.....                            | 213        |
| 23.13 Bit counter.....                                     | 213        |
| 23.14 Registers.....                                       | 214        |
| 23.15 Electrical specification.....                        | 230        |
| <b>24 TIMER — Timer/counter</b> .....                      | <b>234</b> |
| 24.1 Capture.....  | 235        |
| 24.2 Compare.....  | 235        |

|  |            |
|--|------------|
| 24.3 Task delays.....  | 235        |
| 24.4 Task priority.....  | 235        |
| 24.5 Registers.....  | 235        |
| 24.6 Electrical specification.....   | 241        |
| <b>25 RTC — Real-time counter.....</b>   | <b>242</b> |
| 25.1 Clock source.....   | 242        |
| 25.2 Resolution versus overflow and the PRESCALER.....   | 242        |
| 25.3 COUNTER register.....   | 243        |
| 25.4 Overflow features.....  | 243        |
| 25.5 TICK event.....   | 243        |
| 25.6 Event control feature.....  | 244        |
| 25.7 Compare feature.....  | 244        |
| 25.8 TASK and EVENT jitter/delay.....  | 246        |
| 25.9 Reading the COUNTER register.....   | 248        |
| 25.10 Registers.....   | 248        |
| 25.11 Electrical specification.....  | 254        |
| <b>26 RNG — Random number generator.....</b>   | <b>255</b> |
| 26.1 Bias correction.....  | 255        |
| 26.2 Speed.....  | 255        |
| 26.3 Registers.....  | 255        |
| 26.4 Electrical specification.....   | 257        |
| <b>27 TEMP — Temperature sensor.....</b>   | <b>258</b> |
| 27.1 Registers.....  | 258        |
| 27.2 Electrical specification.....   | 263        |
| <b>28 ECB — AES electronic codebook mode encryption.....</b>                                     | <b>264</b> |
| 28.1 Shared resources.....   | 264        |
| 28.2 EasyDMA.....  | 264        |
| 28.3 ECB data structure.....   | 264        |
| 28.4 Registers.....  | 265        |
| 28.5 Electrical specification.....   | 266        |
| <b>29 CCM — AES CCM mode encryption.....</b>   | <b>267</b> |
| 29.1 Shared resources.....   | 268        |
| 29.2 Encryption.....   | 268        |
| 29.3 Decryption.....   | 268        |
| 29.4 AES CCM and RADIO concurrent operation.....   | 269        |
| 29.5 Encrypting packets on-the-fly in radio transmit mode.....                                   | 269        |
| 29.6 Decrypting packets on-the-fly in radio receive mode.....                                    | 270        |
| 29.7 CCM data structure.....   | 271        |
| 29.8 EasyDMA and ERROR event.....  | 272        |
| 29.9 Registers.....  | 272        |
| <b>30 AAR — Accelerated address resolver.....</b>  | <b>276</b> |
| 30.1 Shared resources.....   | 276        |
| 30.2 EasyDMA.....  | 276        |
| 30.3 Resolving a resolvable address.....   | 276        |
| 30.4 Use case example for chaining RADIO packet reception with address resolution using AAR..... | 277        |
| 30.5 IRK data structure.....   | 277        |
| 30.6 Registers.....  | 278        |
| 30.7 Electrical specification.....   | 280        |
| <b>31 SPIM — Serial peripheral interface master with EasyDMA.....</b>                            | <b>281</b> |
| 31.1 Shared resources.....   | 281        |
| 31.2 EasyDMA.....  | 282        |
| 31.3 SPI master transaction sequence.....  | 283        |
| 31.4 Low power.....  | 284        |
| 31.5 Master mode pin configuration.....  | 284        |
| 31.6 Registers.....  | 285        |
| 31.7 Electrical specification.....   | 290        |

|                 |  |            |
|-----------------|--|------------|
| <b>32 SPI</b>   | <b>— Serial peripheral interface slave with EasyDMA.....</b>                   | <b>292</b> |
| 32.1            | Shared resources.....  | 292        |
| 32.2            | EasyDMA.....   | 292        |
| 32.3            | SPI slave operation.....   | 293        |
| 32.4            | Pin configuration.....   | 294        |
| 32.5            | Registers.....   | 295        |
| 32.6            | Electrical specification.....  | 303        |
| <b>33 TWIM</b>  | <b>— I<sup>2</sup>C compatible two-wire interface master with EasyDMA.....</b> | <b>305</b> |
| 33.1            | Shared resources.....  | 306        |
| 33.2            | EasyDMA.....   | 306        |
| 33.3            | Master write sequence.....   | 307        |
| 33.4            | Master read sequence.....  | 308        |
| 33.5            | Master repeated start sequence.....  | 309        |
| 33.6            | Low power.....   | 310        |
| 33.7            | Master mode pin configuration.....   | 310        |
| 33.8            | Registers.....   | 310        |
| 33.9            | Electrical specification.....  | 317        |
| <b>34 TWIS</b>  | <b>— I<sup>2</sup>C compatible two-wire interface slave with EasyDMA.....</b>  | <b>319</b> |
| 34.1            | Shared resources.....  | 321        |
| 34.2            | EasyDMA.....   | 321        |
| 34.3            | TWI slave responding to a read command.....                                    | 321        |
| 34.4            | TWI slave responding to a write command.....                                   | 322        |
| 34.5            | Master repeated start sequence.....  | 323        |
| 34.6            | Terminating an ongoing TWI transaction.....                                    | 324        |
| 34.7            | Low power.....   | 324        |
| 34.8            | Slave mode pin configuration.....  | 324        |
| 34.9            | Registers.....   | 325        |
| 34.10           | Electrical specification.....  | 331        |
| <b>35 UARTE</b> | <b>— Universal asynchronous receiver/transmitter with EasyDMA....</b>          | <b>333</b> |
| 35.1            | Shared resources.....  | 333        |
| 35.2            | EasyDMA.....   | 333        |
| 35.3            | Transmission.....  | 334        |
| 35.4            | Reception.....   | 334        |
| 35.5            | Error conditions.....  | 336        |
| 35.6            | Using the UARTE without flow control.....                                      | 336        |
| 35.7            | Parity configuration.....  | 336        |
| 35.8            | Low power.....   | 336        |
| 35.9            | Pin configuration.....   | 337        |
| 35.10           | Registers.....   | 337        |
| 35.11           | Electrical specification.....  | 345        |
| <b>36 QDEC</b>  | <b>— Quadrature decoder.....</b>   | <b>347</b> |
| 36.1            | Sampling and decoding.....   | 347        |
| 36.2            | LED output.....  | 348        |
| 36.3            | Debounce filters.....  | 348        |
| 36.4            | Accumulators.....  | 349        |
| 36.5            | Output/input pins.....   | 349        |
| 36.6            | Pin configuration.....   | 349        |
| 36.7            | Registers.....   | 350        |
| 36.8            | Electrical specification.....  | 356        |
| <b>37 SAADC</b> | <b>— Successive approximation analog-to-digital converter.....</b>             | <b>357</b> |
| 37.1            | Shared resources.....  | 357        |
| 37.2            | Overview.....  | 357        |
| 37.3            | Digital output.....  | 358        |
| 37.4            | Analog inputs and channels.....  | 359        |
| 37.5            | Operation modes.....   | 359        |
| 37.6            | EasyDMA.....   | 361        |
| 37.7            | Resistor ladder.....   | 362        |

|  |            |
|--|------------|
| 37.8 Reference.....                                      | 363        |
| 37.9 Acquisition time.....                               | 363        |
| 37.10 Limits event monitoring.....                       | 364        |
| 37.11 Registers.....                                     | 365        |
| 37.12 Electrical specification.....                      | 389        |
| 37.13 Performance factors.....                           | 391        |
| <b>38 COMP — Comparator.....</b>                         | <b>392</b> |
| 38.1 Shared resources.....                               | 393        |
| 38.2 Differential mode.....                              | 393        |
| 38.3 Single-ended mode.....                              | 394        |
| 38.4 Pin configuration.....                              | 396        |
| 38.5 Registers.....                                      | 396        |
| 38.6 Electrical specification.....                       | 401        |
| <b>39 LPCOMP — Low power comparator.....</b>             | <b>403</b> |
| 39.1 Shared resources.....                               | 404        |
| 39.2 Pin configuration.....                              | 404        |
| 39.3 Registers.....                                      | 405        |
| 39.4 Electrical specification.....                       | 409        |
| <b>40 WDT — Watchdog timer.....</b>                      | <b>410</b> |
| 40.1 Reload criteria.....                                | 410        |
| 40.2 Temporarily pausing the watchdog.....               | 410        |
| 40.3 Watchdog reset.....                                 | 410        |
| 40.4 Registers.....                                      | 411        |
| 40.5 Electrical specification.....                       | 415        |
| <b>41 SWI — Software interrupts.....</b>                 | <b>416</b> |
| 41.1 Registers.....                                      | 416        |
| <b>42 NFCT — Near field communication tag.....</b>       | <b>417</b> |
| 42.1 Overview.....                                       | 417        |
| 42.2 Pin configuration.....                              | 419        |
| 42.3 EasyDMA.....  | 419        |
| 42.4 Collision resolution.....                           | 420        |
| 42.5 Frame timing controller.....                        | 421        |
| 42.6 Frame assembler.....                                | 422        |
| 42.7 Frame disassembler.....                             | 423        |
| 42.8 Antenna interface.....                              | 424        |
| 42.9 NFCT antenna recommendations.....                   | 424        |
| 42.10 Battery protection.....                            | 424        |
| 42.11 References.....                                    | 425        |
| 42.12 Registers.....                                     | 425        |
| 42.13 Electrical specification.....                      | 436        |
| <b>43 PDM — Pulse density modulation interface.....</b>  | <b>437</b> |
| 43.1 Master clock generator.....                         | 437        |
| 43.2 Module operation.....                               | 437        |
| 43.3 Decimation filter.....                              | 438        |
| 43.4 EasyDMA.....  | 438        |
| 43.5 Hardware example.....                               | 439        |
| 43.6 Pin configuration.....                              | 439        |
| 43.7 Registers.....                                      | 440        |
| 43.8 Electrical specification.....                       | 444        |
| <b>44 I<sup>2</sup>S — Inter-IC sound interface.....</b> | <b>446</b> |
| 44.1 Mode.....   | 446        |
| 44.2 Transmitting and receiving.....                     | 446        |
| 44.3 Left right clock (LRCK).....                        | 447        |
| 44.4 Serial clock (SCK).....                             | 447        |
| 44.5 Master clock (MCK).....                             | 448        |
| 44.6 Width, alignment and format.....                    | 448        |
| 44.7 EasyDMA.....  | 450        |

|  |            |
|--|------------|
| 44.8 Module operation.....   | 452        |
| 44.9 Pin configuration.....  | 453        |
| 44.10 Registers.....   | 454        |
| 44.11 Electrical specification.....  | 461        |
| <b>45 MWU — Memory watch unit.....</b>                                     | <b>462</b> |
| 45.1 Registers.....  | 462        |
| <b>46 EGU — Event generator unit.....</b>                                  | <b>489</b> |
| 46.1 Registers.....  | 489        |
| 46.2 Electrical specification.....   | 495        |
| <b>47 PWM — Pulse width modulation.....</b>                                | <b>496</b> |
| 47.1 Wave counter.....   | 496        |
| 47.2 Decoder with EasyDMA.....   | 499        |
| 47.3 Limitations.....  | 504        |
| 47.4 Pin configuration.....  | 504        |
| 47.5 Registers.....  | 505        |
| 47.6 Electrical specification.....   | 513        |
| <b>48 SPI — Serial peripheral interface master.....</b>                    | <b>514</b> |
| 48.1 Functional description.....   | 514        |
| 48.2 Registers.....  | 517        |
| 48.3 Electrical specification.....   | 520        |
| <b>49 TWI — I<sup>2</sup>C compatible two-wire interface.....</b>          | <b>522</b> |
| 49.1 Functional description.....   | 522        |
| 49.2 Master mode pin configuration.....                                    | 522        |
| 49.3 Shared resources.....   | 523        |
| 49.4 Master write sequence.....  | 523        |
| 49.5 Master read sequence.....   | 524        |
| 49.6 Master repeated start sequence.....                                   | 525        |
| 49.7 Low power.....  | 526        |
| 49.8 Registers.....  | 526        |
| 49.9 Electrical specification.....   | 530        |
| <b>50 UART — Universal asynchronous receiver/transmitter.....</b>          | <b>532</b> |
| 50.1 Functional description.....   | 532        |
| 50.2 Pin configuration.....  | 532        |
| 50.3 Shared resources.....   | 533        |
| 50.4 Transmission.....   | 533        |
| 50.5 Reception.....  | 533        |
| 50.6 Suspending the UART.....  | 534        |
| 50.7 Error conditions.....   | 534        |
| 50.8 Using the UART without flow control.....                              | 535        |
| 50.9 Parity configuration.....   | 535        |
| 50.10 Registers.....   | 535        |
| 50.11 Electrical specification.....  | 540        |
| <b>51 Mechanical specifications.....</b>                                   | <b>541</b> |
| 51.1 QFN48 6 x 6 mm package.....   | 541        |
| 51.2 WLCSP package.....  | 542        |
| <b>52 Ordering information.....</b>  | <b>543</b> |
| 52.1 IC marking.....   | 543        |
| 52.2 Box labels.....   | 543        |
| 52.3 Order code.....   | 544        |
| 52.4 Code ranges and values.....   | 544        |
| 52.5 Product options.....  | 545        |
| <b>53 Reference circuitry.....</b>   | <b>546</b> |
| 53.1 Schematic QFAA and QFAB QFN48 with internal LDO setup.....            | 546        |
| 53.2 Schematic QFAA and QFAB QFN48 with DC/DC regulator setup.....         | 547        |
| 53.3 Schematic QFAA and QFAB QFN48 with DC/DC regulator and NFC setup..... | 548        |
| 53.4 Schematic CIAA WLCSP with internal LDO setup.....                     | 549        |
| 53.5 Schematic CIAA WLCSP with DC/DC regulator setup.....                  | 550        |

---

|   |            |
|---|------------|
| 53.6 Schematic CIAA WLCSP with DC/DC regulator and NFC setup..... | 551        |
| 53.7 PCB guidelines.....  | 551        |
| 53.8 PCB layout example.....                                      | 552        |
| <b>54 Liability disclaimer.....</b>                               | <b>554</b> |
| 54.1 RoHS and REACH statement.....                                | 554        |
| 54.2 Life support applications.....                               | 554        |



# 1 Revision history

| Date           | Version | Description   |
|----------------|---------|---|
| February 2017  | 1.3     | <p>The following content has been added or updated:</p> <ul style="list-style-type: none"> <li><b>RADIO — 2.4 GHz Radio</b> on page 205: Introduced 2 Mbps Bluetooth® low energy mode.</li> <li><b>FICR — Factory information configuration registers</b> on page 43: Updated INFO.PACKAGE register (new package added).</li> <li><b>UARTE</b>: Corrected the pin configuration table.</li> <li><b>PPI — Programmable peripheral interconnect</b> on page 168: Timing information corrected.</li> <li>Updated the liability disclaimer.</li> </ul>  |
| September 2016 | 1.2     | <p>Updated the following:</p> <ul style="list-style-type: none"> <li>Power and clock management, <b>Current consumption: Ultra-low power</b> on page 77.</li> <li>Power, <b>Current consumption, sleep</b> on page 99</li> </ul>  |
| July 2016      | 1.1     | <p>Added documentation for nRF52832 CIAA WLCSP.</p> <p>Added or updated the following content:</p> <ul style="list-style-type: none"> <li>Cover: Added <b>Key features</b>.</li> <li><b>Pin assignments</b> on page 13: Added <b>WLCSP ball assignments</b>. Moved <b>GPIO usage restrictions</b> here from <b>GPIO/Notes on usage and restrictions</b>.</li> <li><b>Absolute maximum ratings</b> on page 19: Added environmental information for WLCSP to the table.</li> <li><b>Memory</b> on page 23: Added QFAB and CIAA information to the table.</li> <li><b>FICR — Factory information configuration registers</b> on page 43: Updated INFO.PACKAGE register.</li> <li><b>UICR</b>: Updated APPROTECT register.</li> <li><b>Debug and trace</b> on page 72: Updated <b>DAP - Debug access port</b>.</li> <li><b>POWER — Power supply</b> on page 78: Updated <b>Pin reset</b>.</li> <li><b>CLOCK — Clock control</b> on page 101: Updated information on external 32 kHz clock support.</li> <li><b>GPIO — General purpose input/output</b> on page 111: Added <b>GPIO located near the RADIO</b>.</li> <li><b>RADIO — 2.4 GHz Radio</b> on page 205: Updated Figure 29 and <b>Interframe spacing</b>.</li> <li><b>CCM</b>: Updated SCRATCHPTR register.</li> <li><b>SPIM</b>: Updated <b>Master mode pin configuration</b>.</li> <li><b>UARTE</b>: Added RXDRDY and TXDRDY events.</li> <li><b>NFCT</b>: Updated <b>Electrical specifications</b>.</li> <li><b>PWM — Pulse width modulation</b> on page 496: Updated SEQ[1].REFRESH register.</li> <li><b>Mechanical specifications</b> on page 541: Added <b>WLCSP package</b>.</li> <li><b>Ordering information</b> on page 543: Updated with CIAA and QFAB information.</li> <li><b>Reference circuitry</b> on page 546: QFAB information added. CIAA WLCSP schematics added.</li> </ul> |
| February 2016  | 1.0     | First release.  |

## 2 About this document

This Product Specification is organized into chapters based on the modules and peripherals that are available in this IC.

The peripheral descriptions are broken into separate sections that include the following information:

- A detailed functional description of the peripheral.
- Register configuration for the peripheral
- Electrical specification tables providing the specified limits of the chip when tested under the conditions defined in the [Recommended operating conditions](#) on page 20

### 2.1 Peripheral naming and abbreviations

Every peripheral has a unique capitalized name or an abbreviation of its name, e.g. TIMER, used for identification and reference. This name is used in chapter headings and references, and it will appear in the ARM® Cortex® Microcontroller Software Interface Standard (CMSIS) hardware abstraction layer to identify the peripheral.

The peripheral instance name, which is different from the peripheral name, is constructed using the peripheral name followed by a numbered postfix, starting with 0, for example, TIMER0. A postfix is normally only used if a peripheral can be instantiated more than once. The peripheral instance name is also used in the CMSIS to identify the peripheral instance.

### 2.2 Register tables

Individual registers are described using register tables. These tables are built up of two sections. The first three colored rows describe the position and size of the different fields in the register. The following rows describe the fields in more detail.

#### 2.2.1 Fields and values

The **Id (Field Id)** row specifies the bits that belong to the different fields in the register.

A blank space means that the field is reserved and that it is read as undefined, and must be written as '0' to secure forward compatibility. If a register is divided into more than one field, a unique field name is specified for each field in the **Field** column.

If a field has enumerated values, then every value will be identified with a unique value id in the **Value Id** column. Single-bit bit fields may, however, omit the **Value Id** when values can be substituted with a Boolean type enumerator range, for example, True/False, Disable/Enable, On/Off, and so on.

Values are usually provided as decimal or hexadecimal. Hex values have a '0x' prefix, decimal values have no prefix.

The **Value** column can be populated in the following ways:

- Individual enumerated values, for example, 1, 3, 9.
- Range of values, e.g. [0..4], that is, all values from and including 0 and 4.
- Implicit values. If no values are indicated in the **Value** column, all bit combinations are supported, or alternatively the field's translation and limitations are described in the text instead.

If two or more fields are closely related, the **Value Id**, **Value**, and **Description** may be omitted for all but the first field. Subsequent fields will indicate inheritance with “..”.

When an item is marked with the word **Deprecated**, it means this is an attribute applied to a feature to indicate that it should not be used for new designs.

## 2.3 Registers

**Table 1: Register Overview**

| Register     | Offset | Description                                       |
|--------------|--------|---|
| <i>DUMMY</i> | 0x514  | Example of a register controlling a dummy feature |

### 2.3.1 DUMMY

Address offset: 0x514

Example of a register controlling a dummy feature

| Bit number       |   |         |              |        |   |  |  |   |  |  |  |     |  |  |  |  |  |  |  |  |  |  |  |  |  |  |  |  |  |  |  |
|------------------|---|---------|--------------|--------|---|--|--|---|--|--|--|-----|--|--|--|--|--|--|--|--|--|--|--|--|--|--|--|--|--|--|--|
| Id               | D D D D   |         |              |        | C C C   |  |  | B |  |  |  | A A |  |  |  |  |  |  |  |  |  |  |  |  |  |  |  |  |  |  |  |
| Reset 0x00050002 | 0 0 0 0 0 0 0 0 0 0 0 0 0 0 1 0 1 0 0 0 0 0 0 0 0 0 0 0 0 0 0 0 1 0 |         |              |        |   |  |  |   |  |  |  |     |  |  |  |  |  |  |  |  |  |  |  |  |  |  |  |  |  |  |  |
| Id               | RW  | Field   | Value Id     | Value  | Description   |  |  |   |  |  |  |     |  |  |  |  |  |  |  |  |  |  |  |  |  |  |  |  |  |  |  |
| A                | RW  | FIELD_A | Disabled     | 0      | Example of a field with several enumerated values<br>The example feature is disabled        |  |  |   |  |  |  |     |  |  |  |  |  |  |  |  |  |  |  |  |  |  |  |  |  |  |  |
|                  |   |         | NormalMode   | 1      | The example feature is enabled in normal mode   |  |  |   |  |  |  |     |  |  |  |  |  |  |  |  |  |  |  |  |  |  |  |  |  |  |  |
|                  |   |         | ExtendedMode | 2      | The example feature is enabled along with extra functionality                               |  |  |   |  |  |  |     |  |  |  |  |  |  |  |  |  |  |  |  |  |  |  |  |  |  |  |
| B                | RW  | FIELD_B | Disabled     | 0      | Example of a deprecated field<br>The override feature is disabled                           |  |  |   |  |  |  |     |  |  |  |  |  |  |  |  |  |  |  |  |  |  |  |  |  |  |  |
|                  |   |         | Enabled      | 1      | The override feature is enabled   |  |  |   |  |  |  |     |  |  |  |  |  |  |  |  |  |  |  |  |  |  |  |  |  |  |  |
| C                | RW  | FIELD_C | ValidRange   | [2..7] | Example of a field with a valid range of values<br>Example of allowed values for this field |  |  |   |  |  |  |     |  |  |  |  |  |  |  |  |  |  |  |  |  |  |  |  |  |  |  |
| D                | RW  | FIELD_D |              |        | Example of a field with no restriction on the values  |  |  |   |  |  |  |     |  |  |  |  |  |  |  |  |  |  |  |  |  |  |  |  |  |  |  |

# 3 Block diagram

This block diagram illustrates the overall system. Arrows with white heads indicate signals that share physical pins with other signals.

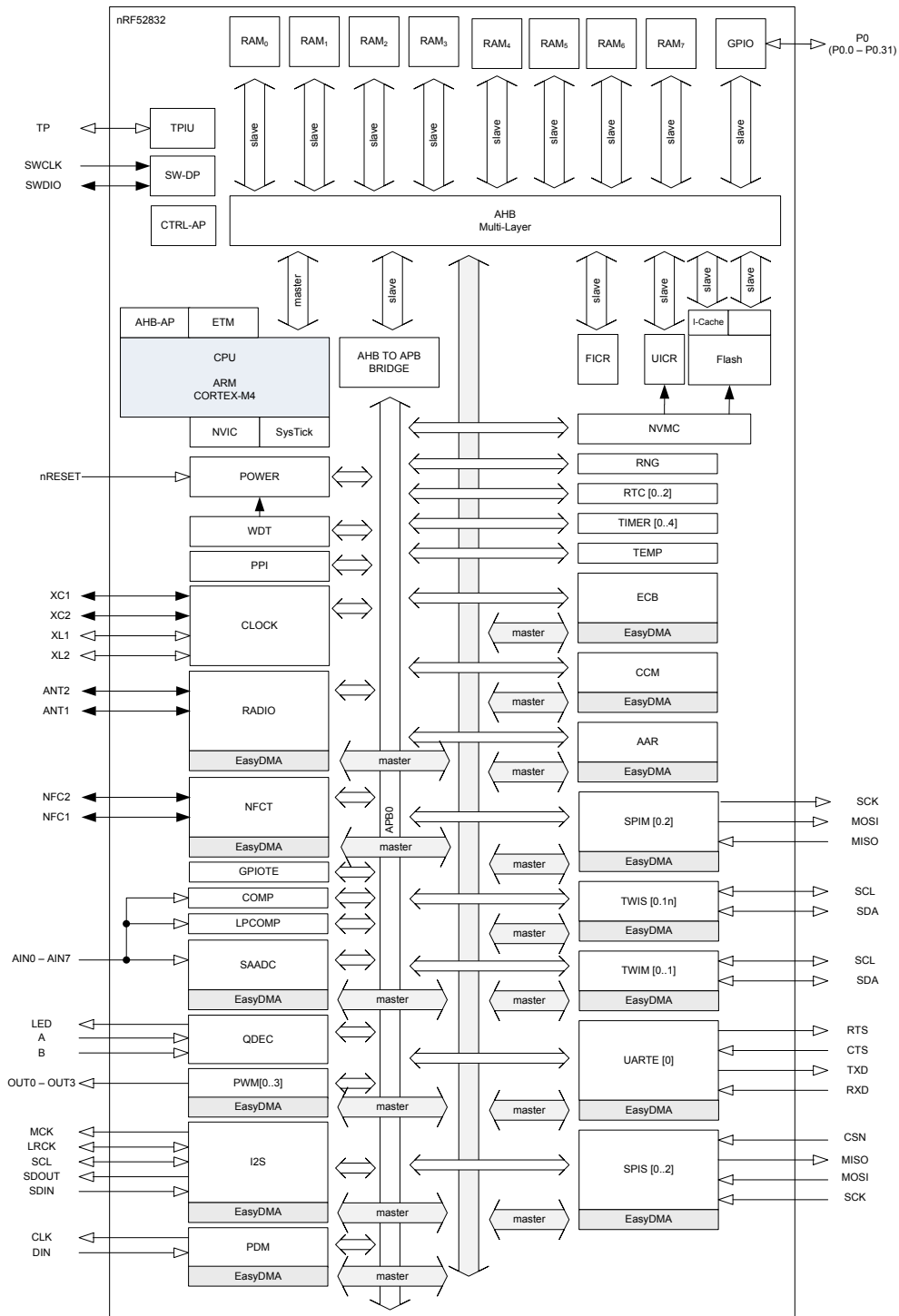


Figure 1: Block diagram

## 4 Pin assignments

Here we cover the pin assignments for each variant of the chip.

### 4.1 QFN48 pin assignments

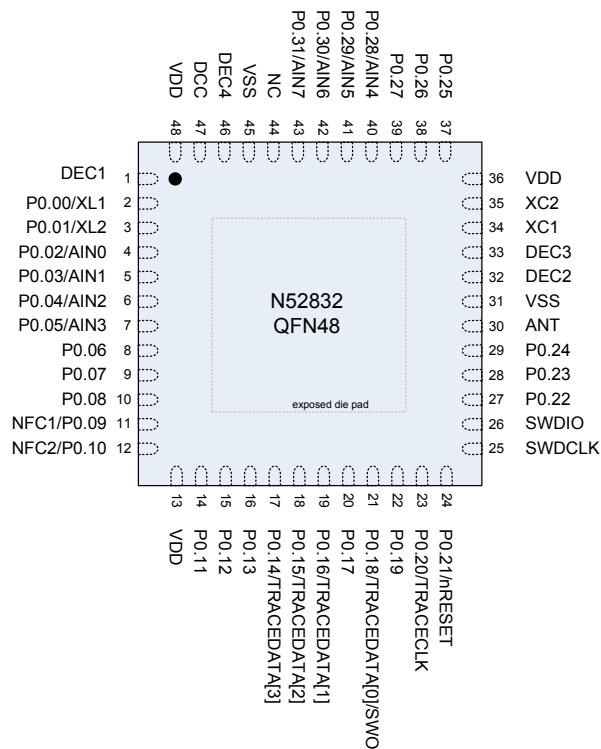


Figure 2: QFN48 pin assignments, top view

Table 2: QFN48 pin assignments

| Pin                      | Name  | Type         | Description                               |
|--------------------------|-------|--------------|---|
| <b>Left Side of chip</b> |       |              |   |
| 1                        | DEC1  | Power        | 0.9 V regulator digital supply decoupling |
| 2                        | P0.00 | Digital I/O  | General purpose I/O                       |
|                          | XL1   | Analog input | Connection for 32.768 kHz crystal (LFXO)  |
| 3                        | P0.01 | Digital I/O  | General purpose I/O                       |
|                          | XL2   | Analog input | Connection for 32.768 kHz crystal (LFXO)  |
| 4                        | P0.02 | Digital I/O  | General purpose I/O                       |
|                          | AIN0  | Analog input | SAADC/COMP/LPCOMP input                   |
| 5                        | P0.03 | Digital I/O  | General purpose I/O                       |
|                          | AIN1  | Analog input | SAADC/COMP/LPCOMP input                   |
| 6                        | P0.04 | Digital I/O  | General purpose I/O                       |
|                          | AIN2  | Analog input | SAADC/COMP/LPCOMP input                   |
| 7                        | P0.05 | Digital I/O  | General purpose I/O                       |
|                          | AIN3  | Analog input | SAADC/COMP/LPCOMP input                   |
| 8                        | P0.06 | Digital I/O  | General purpose I/O                       |
| 9                        | P0.07 | Digital I/O  | General purpose I/O                       |

| Pin                        | Name               | Type          | Description   |
|----------------------------|--------------------|---------------|---|
| 10                         | P0.08              | Digital I/O   | General purpose I/O                                     |
| 11                         | NFC1               | NFC input     | NFC antenna connection                                  |
|                            | P0.09              | Digital I/O   | General purpose I/O <sup>1</sup>                        |
| 12                         | NFC2               | NFC input     | NFC antenna connection                                  |
|                            | P0.10              | Digital I/O   | General purpose I/O <sup>1</sup>                        |
| <b>Bottom side of chip</b> |                    |               |   |
| 13                         | VDD                | Power         | Power supply  |
| 14                         | P0.11              | Digital I/O   | General purpose I/O                                     |
| 15                         | P0.12              | Digital I/O   | General purpose I/O                                     |
| 16                         | P0.13              | Digital I/O   | General purpose I/O                                     |
| 17                         | P0.14              | Digital I/O   | General purpose I/O                                     |
|                            | TRACEDATA[3]       |               | Trace port output                                       |
| 18                         | P0.15              | Digital I/O   | General purpose I/O                                     |
|                            | TRACEDATA[2]       |               | Trace port output                                       |
| 19                         | P0.16              | Digital I/O   | General purpose I/O                                     |
|                            | TRACEDATA[1]       |               | Trace port output                                       |
| 20                         | P0.17              | Digital I/O   | General purpose I/O                                     |
| 21                         | P0.18              | Digital I/O   | General purpose I/O                                     |
|                            | TRACEDATA[0] / SWO |               | Single wire output<br>Trace port output                 |
| 22                         | P0.19              | Digital I/O   | General purpose I/O                                     |
| 23                         | P0.20              | Digital I/O   | General purpose I/O                                     |
|                            | TRACECLK           |               | Trace port clock output                                 |
| 24                         | P0.21              | Digital I/O   | General purpose I/O                                     |
|                            | nRESET             |               | Configurable as pin reset                               |
| <b>Right Side of chip</b>  |                    |               |   |
| 25                         | SWDCLK             | Digital input | Serial wire debug clock input for debug and programming |
| 26                         | SWDIO              | Digital I/O   | Serial wire debug I/O for debug and programming         |
| 27                         | P0.22              | Digital I/O   | General purpose I/O <sup>2</sup>                        |
| 28                         | P0.23              | Digital I/O   | General purpose I/O <sup>2</sup>                        |
| 29                         | P0.24              | Digital I/O   | General purpose I/O <sup>2</sup>                        |
| 30                         | ANT                | RF            | Single-ended radio antenna connection                   |
| 31                         | VSS                | Power         | Ground (Radio supply)                                   |
| 32                         | DEC2               | Power         | 1.3 V regulator supply decoupling (Radio supply)        |
| 33                         | DEC3               | Power         | Power supply decoupling                                 |
| 34                         | XC1                | Analog input  | Connection for 32 MHz crystal                           |
| 35                         | XC2                | Analog input  | Connection for 32 MHz crystal                           |
| 36                         | VDD                | Power         | Power supply  |
| <b>Top side of chip</b>    |                    |               |   |
| 37                         | P0.25              | Digital I/O   | General purpose I/O <sup>2</sup>                        |
| 38                         | P0.26              | Digital I/O   | General purpose I/O <sup>2</sup>                        |
| 39                         | P0.27              | Digital I/O   | General purpose I/O <sup>2</sup>                        |
| 40                         | P0.28              | Digital I/O   | General purpose I/O <sup>2</sup>                        |
|                            | AIN4               | Analog input  | SAADC/COMP/LPCOMP input                                 |
| 41                         | P0.29              | Digital I/O   | General purpose I/O <sup>2</sup>                        |
|                            | AIN5               | Analog input  | SAADC/COMP/LPCOMP input                                 |
| 42                         | P0.30              | Digital I/O   | General purpose I/O <sup>2</sup>                        |
|                            | AIN6               | Analog input  | SAADC/COMP/LPCOMP input                                 |
| 43                         | P0.31              | Digital I/O   | General purpose I/O pin <sup>2</sup>                    |
|                            | AIN7               | Analog input  | SAADC/COMP/LPCOMP input                                 |

| Pin                   | Name | Type  | Description  |
|-----------------------|------|-------|--|
| 44                    | NC   |       | No connect<br>Leave unconnected  |
| 45                    | VSS  | Power | Ground   |
| 46                    | DEC4 | Power | 1.3 V regulator supply decoupling<br>Input from DC/DC regulator<br>Output from 1.3 V LDO     |
| 47                    | DCC  | Power | DC/DC regulator output   |
| 48                    | VDD  | Power | Power supply   |
| <b>Bottom of chip</b> |      |       |  |
| Die pad               | VSS  | Power | Ground pad<br>Exposed die pad must be connected to ground (VSS) for proper device operation. |

## 4.2 WLCSP ball assignments

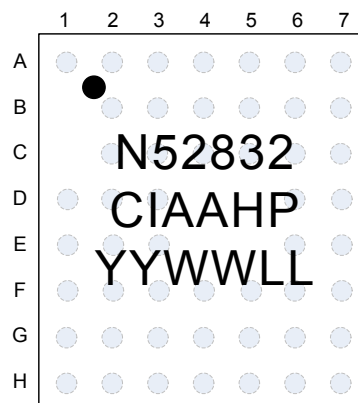


Figure 3: WLCSP ball assignments, top view

Table 3: WLCSP ball assignments

| Ball | Name  | Type         | Description  |
|------|-------|--------------|--|
| A1   | XC2   | Analog input | Connection for 32 MHz crystal  |
| A2   | DEC2  | Power        | 1.3 V regulator supply decoupling (Radio supply)                                       |
| A3   | P0.28 | Digital I/O  | General purpose I/O <sup>3</sup>   |
| A4   | AIN4  | Analog input | SAADC/COMP/LPCOMP input  |
|      | P0.29 | Digital I/O  | General purpose I/O <sup>3</sup>   |
| A5   | AIN5  | Analog input | SAADC/COMP/LPCOMP input  |
|      | P0.30 | Digital I/O  | General purpose I/O <sup>3</sup>   |
| A6   | AIN6  | Analog input | SAADC/COMP/LPCOMP input  |
|      | DEC4  | Power        | 1.3 V regulator supply decoupling<br>Input from DC/DC converter. Output from 1.3 V LDO |
| A7   | VDD   | Power        | Power supply   |
| B2   | XC1   | Analog input | Connection for 32 MHz crystal  |
| B3   | P0.25 | Digital I/O  | General purpose I/O <sup>3</sup>   |

<sup>1</sup> See [GPIO located near the radio](#) on page 17 for more information.

<sup>2</sup> See [NFC antenna pins](#) on page 17 for more information.

| Ball | Name         |               | Description   |
|------|--------------|---------------|---|
| B4   | P0.27        | Digital I/O   | General purpose I/O <sup>3</sup>                        |
| B5   | P0.31        | Digital I/O   | General purpose I/O <sup>3</sup>                        |
|      | AIN7         | Analog input  | SAADC/COMP/LPCOMP input                                 |
| B6   | DCC          | Power         | DC/DC converter output                                  |
| B7   | DEC1         | Power         | 0.9 V regulator digital supply decoupling               |
| C2   | DEC3         | Power         | Power supply decoupling                                 |
| C3   | NC           | N/A           | Not connected   |
| C4   | VSS          | Power         | Ground  |
| C5   | VSS          | Power         | Ground  |
| C6   | P0.02        | Digital I/O   | General purpose I/O                                     |
|      | AIN0         | Analog input  | SAADC/COMP/LPCOMP input                                 |
| C7   | P0.01        | Digital I/O   | General purpose I/O                                     |
|      | XL2          | Analog input  | Connection for 32.768 kHz crystal (LFXO)                |
| D1   | ANT          | RF            | Single-ended radio antenna connection                   |
| D2   | VSS_PA       | Power         | Ground (Radio supply)                                   |
| D3   | P0.26        | Digital I/O   | General purpose I/O <sup>3</sup>                        |
| D6   | P0.03        | Digital I/O   | General purpose I/O                                     |
|      | AIN1         | Analog input  | SAADC/COMP/LPCOMP input                                 |
| D7   | P0.00        | Digital I/O   | General purpose I/O                                     |
|      | XL1          | Analog input  | Connection for 32.768 kHz crystal (LFXO)                |
| E1   | P0.24        | Digital I/O   | General purpose I/O <sup>3</sup>                        |
| E2   | P0.23        | Digital I/O   | General purpose I/O <sup>3</sup>                        |
| E3   | VSS          | Power         | Ground  |
| E6   | P0.04        | Digital I/O   | General purpose I/O                                     |
|      | AIN2         | Analog input  | SAADC/COMP/LPCOMP input                                 |
| E7   | P0.05        | Digital I/O   | General purpose I/O                                     |
|      | AIN3         | Analog input  | SAADC/COMP/LPCOMP input                                 |
| F1   | SWDCLK       | Digital input | Serial wire debug clock input for debug and programming |
| F2   | P0.22        | Digital I/O   | General purpose I/O <sup>3</sup>                        |
| F3   | P0.19        | Digital I/O   | General purpose I/O                                     |
| F4   | P0.11        | Digital I/O   | General purpose I/O                                     |
| F5   | VSS          | Power         | Ground  |
| F6   | P0.07        | Digital I/O   | General purpose I/O                                     |
| F7   | P0.06        | Digital I/O   | General purpose I/O                                     |
| G1   | SWDIO        | Digital I/O   | Serial wire debug I/O for debug and programming         |
| G2   | P0.20        | Digital I/O   | General purpose I/O                                     |
|      | TRACECLK     |               | Trace port clock output                                 |
| G3   | P0.17        | Digital I/O   | General purpose I/O                                     |
| G4   | P0.13        | Digital I/O   | General purpose I/O                                     |
| G5   | NFC2         | NFC input     | NFC antenna connection                                  |
|      | P0.10        | Digital I/O   | General purpose I/O <sup>4</sup>                        |
| G6   | NFC1         | NFC input     | NFC antenna connection                                  |
|      | P0.09        | Digital I/O   | General purpose I/O <sup>4</sup>                        |
| G7   | P0.08        | Digital I/O   | General purpose I/O                                     |
| H1   | P0.21        | Digital I/O   | General purpose I/O                                     |
|      | nRESET       |               | Configurable as pin reset                               |
| H2   | P0.18        | Digital I/O   | General purpose I/O                                     |
|      | TRACEDATA[0] |               | Trace port output                                       |
| H3   | P0.16        | Digital I/O   | General purpose I/O                                     |
|      | TRACEDATA[1] |               | Trace port output                                       |
| H4   | P0.15        | Digital I/O   | General purpose I/O                                     |



| Ball | Name         |             | Description         |
|------|--------------|-------------|---------------------|
|      | TRACEDATA[2] |             | Trace port output   |
| H5   | P0.14        | Digital I/O | General purpose I/O |
|      | TRACEDATA[3] |             | Trace port output   |
| H6   | P0.12        | Digital I/O | General purpose I/O |
| H7   | VDD          | Power       | Power supply        |

## 4.3 GPIO usage restrictions

### 4.3.1 GPIO located near the radio

Radio performance parameters, such as sensitivity, may be affected by high frequency digital I/O with large sink/source current close to the Radio power supply and antenna pins.

[Table 4: GPIO recommended usage for QFN48 package](#) on page 17 and [Table 5: GPIO recommended usage for WLCSP package](#) on page 17 identify some GPIO that have recommended usage guidelines to maximize radio performance in an application.

**Table 4: GPIO recommended usage for QFN48 package**

| Pin | GPIO  | Recommended usage                  |
|-----|-------|------------------------------------|
| 27  | P0.22 | Low drive, low frequency I/O only. |
| 28  | P0.23 |                                    |
| 29  | P0.24 |                                    |
| 37  | P0.25 |                                    |
| 38  | P0.26 |                                    |
| 39  | P0.27 |                                    |
| 40  | P0.28 |                                    |
| 41  | P0.29 |                                    |
| 42  | P0.30 |                                    |
| 43  | P0.31 |                                    |

**Table 5: GPIO recommended usage for WLCSP package**

| Pin | GPIO  | Recommended usage                  |
|-----|-------|------------------------------------|
| F2  | P0.22 | Low drive, low frequency I/O only. |
| E2  | P0.23 |                                    |
| E1  | P0.24 |                                    |
| B3  | P0.25 |                                    |
| D3  | P0.26 |                                    |
| B4  | P0.27 |                                    |
| A3  | P0.28 |                                    |
| A4  | P0.29 |                                    |
| A5  | P0.30 |                                    |
| B5  | P0.31 |                                    |

### 4.3.2 NFC antenna pins

Two physical pins can be configured either as NFC antenna pins (factory default), or as GPIOs, as shown below.

**Table 6: GPIO pins used by NFC**

| NFC pad name | GPIO  |
|--------------|-------|
| NFC1         | P0.09 |
| NFC2         | P0.10 |

When configured as NFC antenna pins, the GPIOs on those pins will automatically be set to DISABLE state and a protection circuit will be enabled preventing the chip from being damaged in the presence of a strong NFC field. The protection circuit will short the two pins together if voltage difference exceeds approximately 2 V.

<sup>3</sup> See [GPIO located near the radio](#) on page 17 for more information.

<sup>4</sup> See [NFC antenna pins](#) on page 17 for more information.

For information on how to configure these pins as normal GPIOs, see [NFCT — Near field communication tag](#) on page 417 and [UICR — User information configuration registers](#) on page 54. Note that the device will not be protected against strong NFC field damage if the pins are configured as GPIO and an NFC antenna is connected to the device. The pins will always be configured as NFC pins during power-on reset until the configuration is set according to the UICR register.

These two pins will have some limitations when configured as GPIO. The pin capacitance will be higher on these pins, and there is some current leakage between the two pins if they are driven to different logical values. To avoid leakage between the pins when configured as GPIO, these GPIOs should always be at the same logical value whenever entering one of the device power saving modes. See [Electrical specification](#).

## 5 Absolute maximum ratings

Maximum ratings are the extreme limits to which the chip can be exposed for a limited amount of time without permanently damaging it. Exposure to absolute maximum ratings for prolonged periods of time may affect the reliability of the device.

**Table 7: Absolute maximum ratings**

|  | Min.             | Max.        | Unit               |
|--|------------------|-------------|--------------------|
| <b>Supply voltages</b>                         |                  |             |                    |
| VDD  | -0.3             | +3.9        | V                  |
| VSS  |                  | 0           | V                  |
| <b>I/O pin voltage</b>                         |                  |             |                    |
| V <sub>I/O</sub> , VDD ≤ 3.6 V                 | -0.3             | VDD + 0.3 V | V                  |
| V <sub>I/O</sub> , VDD > 3.6 V                 | -0.3             | 3.9 V       | V                  |
| <b>NFC antenna pin current</b>                 |                  |             |                    |
| I <sub>NFC1/2</sub>                            |                  | 80          | mA                 |
| <b>Radio</b>                                   |                  |             |                    |
| RF input level                                 |                  | 10          | dBm                |
| <b>Environmental QFN48, 6×6 mm package</b>     |                  |             |                    |
| Storage temperature                            | -40              | +125        | °C                 |
| MSL (moisture sensitivity level)               |                  | 2           |                    |
| ESD HBM (human body model)                     |                  | 4           | kV                 |
| ESD CDM (charged device model)                 |                  | 1000        | V                  |
| <b>Environmental WLCSP, 3.0×3.2 mm package</b> |                  |             |                    |
| Storage temperature                            | -40              | +125        | °C                 |
| MSL  |                  | 1           |                    |
| ESD HBM  |                  | 2           | kV                 |
| ESD CDM  |                  | 500         | V                  |
| <b>Flash memory</b>                            |                  |             |                    |
| Endurance                                      | 10 000           |             | Write/erase cycles |
| Retention                                      | 10 years at 40°C |             |                    |



## 6 Recommended operating conditions

The operating conditions are the physical parameters that the chip can operate within.

**Table 8: Recommended operating conditions**

| Symbol             | Parameter                                  | Notes | Min. | Nom. | Max. | Units |
|--------------------|--|-------|------|------|------|-------|
| VDD                | Supply voltage, independent of DCDC enable |       | 1.7  | 3.0  | 3.6  | V     |
| t <sub>R_VDD</sub> | Supply rise time (0 V to 1.7 V)            |       |      |      | 60   | ms    |
| TA                 | Operating temperature                      |       | -40  | 25   | 85   | °C    |

**Important:** The on-chip power-on reset circuitry may not function properly for rise times longer than the specified maximum.

## 7 CPU

The ARM® Cortex®-M4 processor with floating-point unit (FPU) has a 32-bit instruction set (Thumb®-2 technology) that implements a superset of 16 and 32-bit instructions to maximize code density and performance.

This processor implements several features that enable energy-efficient arithmetic and high-performance signal processing including:

- Digital signal processing (DSP) instructions
- Single-cycle multiply and accumulate (MAC) instructions
- Hardware divide
- 8 and 16-bit single instruction multiple data (SIMD) instructions
- Single-precision floating-point unit (FPU)

The ARM Cortex Microcontroller Software Interface Standard (CMSIS) hardware abstraction layer for the ARM Cortex processor series is implemented and available for the M4 CPU.

Real-time execution is highly deterministic in thread mode, to and from sleep modes, and when handling events at configurable priority levels via the Nested Vectored Interrupt Controller (NVIC).

Executing code from flash will have a wait state penalty on the nRF52 Series. An instruction cache can be enabled to minimize flash wait states when fetching instructions. For more information on cache, see [Cache](#) on page 30. The section [Electrical specification](#) on page 21 shows CPU performance parameters including wait states in different modes, CPU current and efficiency, and processing power and efficiency based on the CoreMark® benchmark.

### 7.1 Floating point interrupt

The floating point unit (FPU) may generate exceptions when used due to e.g. overflow or underflow. These exceptions will trigger the FPU interrupt (see [Instantiation](#) on page 24). To clear the IRQ line when an exception has occurred, the relevant exception bit within the FPSCR register needs to be cleared. For more information about the FPSCR or other FPU registers, see *Cortex-M4 Devices Generic User Guide*.

## 7.2 Electrical specification

### 7.2.1 CPU performance

The CPU clock speed is 64 MHz. Current and efficiency data is taken when in System ON and the CPU is executing the CoreMark™ benchmark. It includes power regulator and clock base currents. All other blocks are IDLE.

| Symbol                        | Description  | Min. | Typ. | Max. | Units      |
|-------------------------------|--|------|------|------|------------|
| W <sub>FLASH</sub>            | CPU wait states, running from flash, cache disabled        | 0    |      | 2    |            |
| W <sub>FLASHCACHE</sub>       | CPU wait states, running from flash, cache enabled         | 0    |      | 3    |            |
| W <sub>RAM</sub>              | CPU wait states, running from RAM                          |      |      | 0    |            |
| I <sub>DDFLASHCACHE</sub>     | CPU current, running from flash, cache enabled, LDO        |      | 7.4  |      | mA         |
| I <sub>DDFLASHCACHEDCDC</sub> | CPU current, running from flash, cache enabled, DCDC 3V    |      | 3.7  |      | mA         |
| I <sub>DDFLASH</sub>          | CPU current, running from flash, cache disabled, LDO       |      | 8.0  |      | mA         |
| I <sub>DDFLASHDCDC</sub>      | CPU current, running from flash, cache disabled, DCDC 3V   |      | 3.9  |      | mA         |
| I <sub>DDRAM</sub>            | CPU current, running from RAM, LDO                         |      | 6.7  |      | mA         |
| I <sub>DDRAMDCDC</sub>        | CPU current, running from RAM, DCDC 3V                     |      | 3.3  |      | mA         |
| I <sub>DDFLASH/MHz</sub>      | CPU efficiency, running from flash, cache enabled, LDO     |      | 125  |      | μA/<br>MHz |
| I <sub>DDFLASHDCDC/MHz</sub>  | CPU efficiency, running from flash, cache enabled, DCDC 3V |      | 58   |      | μA/<br>MHz |

| Symbol                  | Description   | Min. | Typ. | Max. | Units        |
|-------------------------|---|------|------|------|--------------|
| CM <sub>FLASH</sub>     | CoreMark <sup>5</sup> , running from flash, cache enabled   |      | 215  |      | CoreM        |
| CM <sub>FLASH/MHz</sub> | CoreMark per MHz, running from flash, cache enabled         |      | 3.36 |      | CoreM<br>MHz |
| CM <sub>FLASH/mA</sub>  | CoreMark per mA, running from flash, cache enabled, DCDC 3V |      | 58   |      | CoreM<br>mA  |

### 7.3 CPU and support module configuration

The ARM® Cortex®-M4 processor has a number of CPU options and support modules implemented on the device.

| Option / Module | Description                        | Implemented   |
|-----------------|------------------------------------|---------------|
| Core options    |                                    |               |
| NVIC            | Nested Vector Interrupt Controller | 37 vectors    |
| PRIORITIES      | Priority bits                      | 3             |
| WIC             | Wakeup Interrupt Controller        | NO            |
| Endianness      | Memory system endianness           | Little endian |
| Bit Banding     | Bit banded memory                  | NO            |
| DWT             | Data Watchpoint and Trace          | YES           |
| SysTick         | System tick timer                  | YES           |
| Modules         |                                    |               |
| MPU             | Memory protection unit             | YES           |
| FPU             | Floating point unit                | YES           |
| DAP             | Debug Access Port                  | YES           |
| ETM             | Embedded Trace Macrocell           | YES           |
| ITM             | Instrumentation Trace Macrocell    | YES           |
| TPIU            | Trace Port Interface Unit          | YES           |
| ETB             | Embedded Trace Buffer              | NO            |
| FPB             | Flash Patch and Breakpoint Unit    | YES           |
| HTM             | AHB Trace Macrocell                | NO            |

<sup>5</sup> Using IAR v6.50.1.4452 with flags --endian=little --cpu=Cortex-M4 -e --fpu=VFPv4\_sp -Ohs --no\_size\_constraints

# 8 Memory

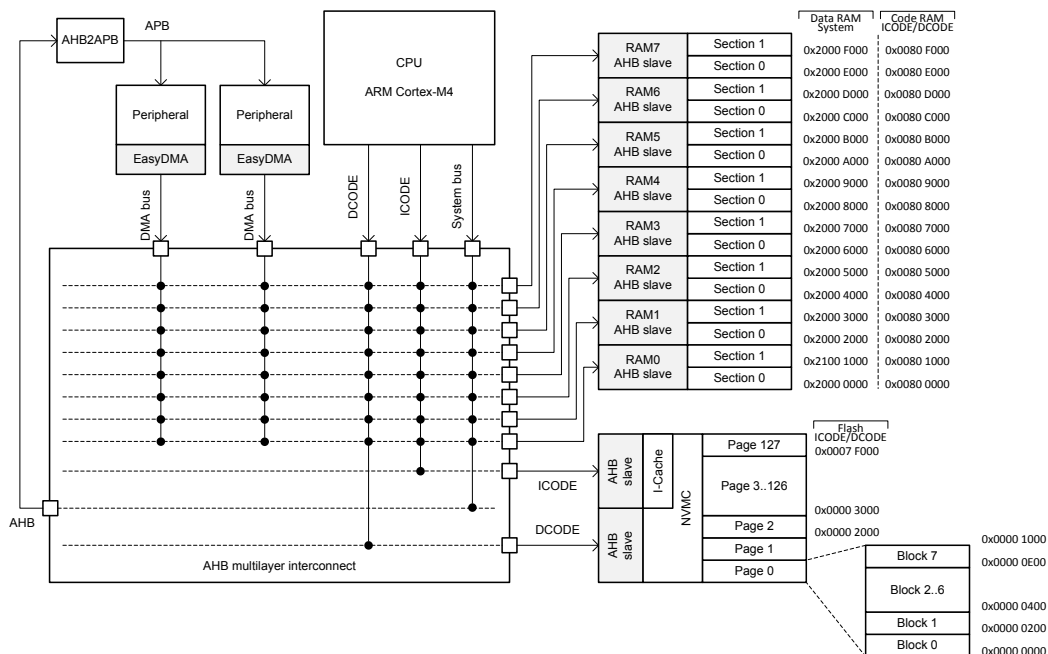
The nRF52832 contains flash and RAM that can be used for code and data storage.

The amount of RAM and flash will vary depending on variant, see [Table 9: Memory variants](#) on page 23.

**Table 9: Memory variants**

| Device name   | RAM   | Flash  | Comments |
|---------------|-------|--------|----------|
| nRF52832-QFAA | 64 kB | 512 kB |          |
| nRF52832-QFAB | 32 kB | 256 kB |          |
| nRF52832-CIAA | 64 kB | 512 kB |          |

The CPU and the EasyDMA can access memory via the AHB multilayer interconnect. The CPU is also able to access peripherals via the AHB multilayer interconnect, as illustrated in [Figure 4: Memory layout](#) on page 23.



**Figure 4: Memory layout**

See [AHB multilayer](#) on page 26 and [EasyDMA](#) on page 27 for more information about the AHB multilayer interconnect and the EasyDMA.

The same physical RAM is mapped to both the Data RAM region and the Code RAM region. It is up to the application to partition the RAM within these regions so that one does not corrupt the other.

## 8.1 RAM - Random access memory

The RAM interface is divided into multiple RAM AHB slaves.

Each RAM AHB slave is connected to two 4-kilobyte RAM sections, see Section 0 and Section 1 in [Figure 4: Memory layout](#) on page 23.

Each of the RAM sections have separate power control for System ON and System OFF mode operation, which is configured via RAM register (see the [POWER — Power supply](#) on page 78).

## 8.2 Flash - Non-volatile memory

The Flash can be read an unlimited number of times by the CPU, but it has restrictions on the number of times it can be written and erased and also on how it can be written.

Writing to Flash is managed by the Non-volatile memory controller (NVMC), see [NVMC — Non-volatile memory controller](#) on page 29.

The Flash is divided into multiple pages that can be accessed by the CPU via both the ICODE and DCODE buses as shown in, [Figure 4: Memory layout](#) on page 23. Each page is divided into 8 blocks.

## 8.3 Memory map

The complete memory map is shown in [Figure 5: Memory map](#) on page 24. As described in [Memory](#) on page 23, Code RAM and the Data RAM are the same physical RAM.

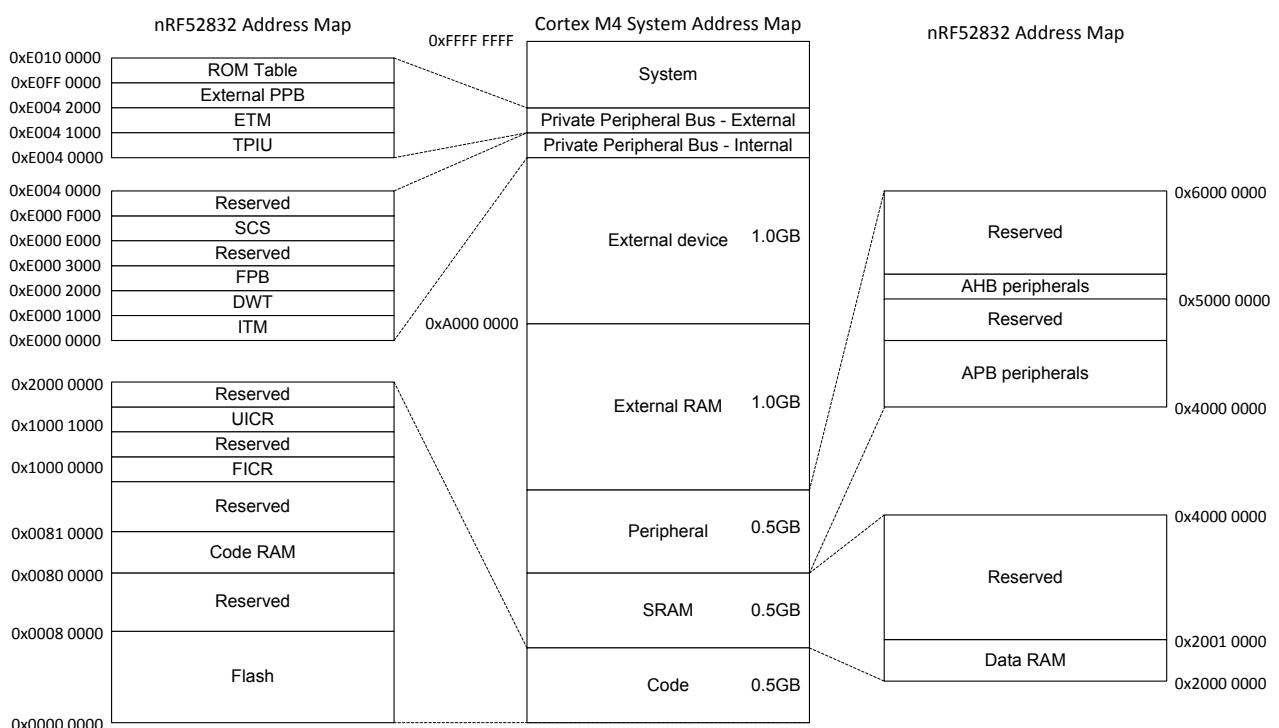


Figure 5: Memory map

## 8.4 Instantiation

Table 10: Instantiation table

| ID | Base Address | Peripheral | Instance | Description  |            |
|----|--------------|------------|----------|--|------------|
| 0  | 0x40000000   | CLOCK      | CLOCK    | Clock control  |            |
| 0  | 0x40000000   | POWER      | POWER    | Power control  |            |
| 0  | 0x40000000   | BPROT      | BPROT    | Block Protect  |            |
| 1  | 0x40001000   | RADIO      | RADIO    | 2.4 GHz radio  |            |
| 2  | 0x40002000   | UARTE      | UARTE0   | Universal Asynchronous Receiver/Transmitter with EasyDMA |            |
| 2  | 0x40002000   | UART       | UART0    | Universal Asynchronous Receiver/Transmitter              | Deprecated |
| 3  | 0x40003000   | SPIM       | SPIM0    | SPI master 0   |            |
| 3  | 0x40003000   | SPIS       | SPIS0    | SPI slave 0  |            |
| 3  | 0x40003000   | TWIM       | TWIM0    | Two-wire interface master 0                              |            |
| 3  | 0x40003000   | TWI        | TWI0     | Two-wire interface master 0                              | Deprecated |
| 3  | 0x40003000   | SPI        | SPI0     | SPI master 0   | Deprecated |



| ID  | Base Address | Peripheral | Instance | Description   |            |
|-----|--------------|------------|----------|---|------------|
| 3   | 0x40003000   | TWIS       | TWIS0    | Two-wire interface slave 0                              |            |
| 4   | 0x40004000   | SPIM       | SPIM1    | SPI master 1  |            |
| 4   | 0x40004000   | TWI        | TWI1     | Two-wire interface master 1                             | Deprecated |
| 4   | 0x40004000   | SPIS       | SPIS1    | SPI slave 1   |            |
| 4   | 0x40004000   | TWIS       | TWIS1    | Two-wire interface slave 1                              |            |
| 4   | 0x40004000   | TWIM       | TWIM1    | Two-wire interface master 1                             |            |
| 4   | 0x40004000   | SPI        | SPI1     | SPI master 1  | Deprecated |
| 5   | 0x40005000   | NFCT       | NFCT     | Near Field Communication Tag                            |            |
| 6   | 0x40006000   | GPIOTE     | GPIOTE   | GPIO Tasks and Events                                   |            |
| 7   | 0x40007000   | SAADC      | SAADC    | Analog to digital converter                             |            |
| 8   | 0x40008000   | TIMER      | TIMER0   | Timer 0   |            |
| 9   | 0x40009000   | TIMER      | TIMER1   | Timer 1   |            |
| 10  | 0x4000A000   | TIMER      | TIMER2   | Timer 2   |            |
| 11  | 0x4000B000   | RTC        | RTC0     | Real-time counter 0                                     |            |
| 12  | 0x4000C000   | TEMP       | TEMP     | Temperature sensor                                      |            |
| 13  | 0x4000D000   | RNG        | RNG      | Random number generator                                 |            |
| 14  | 0x4000E000   | ECB        | ECB      | AES Electronic Code Book (ECB) mode block encryption    |            |
| 15  | 0x4000F000   | CCM        | CCM      | AES CCM Mode Encryption                                 |            |
| 15  | 0x4000F000   | AAR        | AAR      | Acelerated Address Resolver                             |            |
| 16  | 0x40010000   | WDT        | WDT      | Watchdog timer  |            |
| 17  | 0x40011000   | RTC        | RTC1     | Real-time counter 1                                     |            |
| 18  | 0x40012000   | QDEC       | QDEC     | Quadrature decoder                                      |            |
| 19  | 0x40013000   | LPCOMP     | LPCOMP   | Low power comparator                                    |            |
| 19  | 0x40013000   | COMP       | COMP     | General purpose comparator                              |            |
| 20  | 0x40014000   | SWI        | SWI0     | Software interrupt 0                                    |            |
| 20  | 0x40014000   | EGU        | EGU0     | Event Generator Unit 0                                  |            |
| 21  | 0x40015000   | EGU        | EGU1     | Event Generator Unit 1                                  |            |
| 21  | 0x40015000   | SWI        | SWI1     | Software interrupt 1                                    |            |
| 22  | 0x40016000   | SWI        | SWI2     | Software interrupt 2                                    |            |
| 22  | 0x40016000   | EGU        | EGU2     | Event Generator Unit 2                                  |            |
| 23  | 0x40017000   | SWI        | SWI3     | Software interrupt 3                                    |            |
| 23  | 0x40017000   | EGU        | EGU3     | Event Generator Unit 3                                  |            |
| 24  | 0x40018000   | EGU        | EGU4     | Event Generator Unit 4                                  |            |
| 24  | 0x40018000   | SWI        | SWI4     | Software interrupt 4                                    |            |
| 25  | 0x40019000   | SWI        | SWI5     | Software interrupt 5                                    |            |
| 25  | 0x40019000   | EGU        | EGU5     | Event Generator Unit 5                                  |            |
| 26  | 0x4001A000   | TIMER      | TIMER3   | Timer 3   |            |
| 27  | 0x4001B000   | TIMER      | TIMER4   | Timer 4   |            |
| 28  | 0x4001C000   | PWM        | PWM0     | Pulse Width Modulation Unit 0                           |            |
| 29  | 0x4001D000   | PDM        | PDM      | Pulse Density Modulation (Digital Microphone Interface) |            |
| 30  | 0x4001E000   | NVMC       | NVMC     | Non-Volatile Memory Controller                          |            |
| 31  | 0x4001F000   | PPI        | PPI      | Programmable Peripheral Interconnect                    |            |
| 32  | 0x40020000   | MWU        | MWU      | Memory Watch Unit                                       |            |
| 33  | 0x40021000   | PWM        | PWM1     | Pulse Width Modulation Unit 1                           |            |
| 34  | 0x40022000   | PWM        | PWM2     | Pulse Width Modulation Unit 2                           |            |
| 35  | 0x40023000   | SPI        | SPI2     | SPI master 2  | Deprecated |
| 35  | 0x40023000   | SPIS       | SPIS2    | SPI slave 2   |            |
| 35  | 0x40023000   | SPIM       | SPIM2    | SPI master 2  |            |
| 36  | 0x40024000   | RTC        | RTC2     | Real-time counter 2                                     |            |
| 37  | 0x40025000   | I2S        | I2S      | Inter-IC Sound Interface                                |            |
| 38  | 0x40026000   | FPU        | FPU      | FPU interrupt   |            |
| 0   | 0x50000000   | GPIO       | GPIO     | General purpose input and output                        | Deprecated |
| 0   | 0x50000000   | GPIO       | P0       | General purpose input and output                        |            |
| N/A | 0x10000000   | FICR       | FICR     | Factory Information Configuration                       |            |
| N/A | 0x10001000   | UICR       | UICR     | User Information Configuration                          |            |

## 9 AHB multilayer

The CPU and all of the EasyDMAs are AHB bus masters on the AHB multilayer, while the RAM and various other modules are AHB slaves.

See [Block diagram](#) on page 12 for an overview of which peripherals implement EasyDMA.

The CPU has exclusive access to all AHB slaves except for the RAM that can also be accessed by the EasyDMA.

Access rights to each of the RAM AHB slaves are resolved using the priority of the different bus masters in the system

See [AHB multilayer priorities](#) on page 26 for information about the priority of the different AHB bus masters in the system. It is possible for two or more bus masters to have the same priority in cases where it is guaranteed by design that the related masters will never be able to access the same slave at the same time.

### 9.1 AHB multilayer priorities

Each master connected to the AHB multilayer is assigned a priority.

**Table 11: AHB bus masters**

| Bus master name | Priority         | Description                           |
|-----------------|------------------|---------------------------------------|
| CPU             | Highest priority |                                       |
| SPIS1           |                  | Applies to SPIM1, SPIS1, TWIM1, TWIS1 |
| RADIO           |                  |                                       |
| CCM/ECB/AAR     |                  |                                       |
| SAADC           |                  |                                       |
| UARTE           |                  |                                       |
| SERIAL0         |                  | Applies to SPIM0, SPIS0, TWIM0, TWIS0 |
| SERIAL2         |                  | Applies to SPIM2, SPIS2               |
| NFCT            |                  |                                       |
| I2S             |                  | I2S                                   |
| PDM             |                  | PDM                                   |
| PWM             | Lowest priority  | Applies to PWM0, PWM1, PWM2           |

# 10 EasyDMA

EasyDMA is an easy-to-use direct memory access module that some peripherals implement to gain direct access to Data RAM.

The EasyDMA is an AHB bus master similar to the CPU and it is connected to the AHB multilayer interconnect for direct access to the Data RAM. The EasyDMA is not able to access the Flash.

A peripheral can implement multiple EasyDMA instances, for example to provide a dedicated channel for reading data from RAM into the peripheral at the same time as a second channel is dedicated for writing data to the RAM from the peripheral. This concept is illustrated in [Figure 6: EasyDMA example](#) on page 27



**Figure 6: EasyDMA example**

An EasyDMA channel is usually exposed to the user in the form illustrated below, but some variations may occur:

```

READERBUFFER_SIZE 5
WRITERBUFFER_SIZE 6

uint8_t readerBuffer[READERBUFFER_SIZE] __at__ 0x20000000;
uint8_t writerBuffer[WRITERBUFFER_SIZE] __at__ 0x20000005;

// Configuring the READER channel
MYPERIPHERAL->READER.MAXCNT = READERBUFFER_SIZE;
MYPERIPHERAL->READER.PTR = &readerBuffer;

// Configure the WRITER channel
MYPERIPHERAL->WRITER.MAXCNT = WRITERBUFFER_SIZE;
MYPERIPHERAL->WRITER.PTR = &writerBuffer;

```

This example shows a peripheral called MYPERIPHERAL that implements two EasyDMA channels, one for reading, called READER, and one for writing, called WRITER. When the peripheral is started, it is here assumed that the peripheral will read 5 bytes from the readerBuffer located in RAM at address 0x20000000, process the data and then write no more than 6 bytes back to the writerBuffer located in RAM at address 0x20000005. The memory layout of these buffers is illustrated in [Figure 7: EasyDMA memory layout](#) on page 28.

|            |                 |                 |                 |                 |
|------------|-----------------|-----------------|-----------------|-----------------|
| 0x20000000 | readerBuffer[0] | readerBuffer[1] | readerBuffer[2] | readerBuffer[3] |
| 0x20000004 | readerBuffer[4] | writerBuffer[0] | writerBuffer[1] | writerBuffer[2] |
| 0x20000008 | writerBuffer[3] | writerBuffer[4] | writerBuffer[5] |                 |

**Figure 7: EasyDMA memory layout**

The EasyDMA channel's MAXCNT register cannot be specified larger than the actual size of the buffer. If, for example, the WRITER.MAXCNT register is specified larger than the size of the writerBuffer, the WRITER EasyDMA channel may overflow the writerBuffer.

After the peripheral has completed the EasyDMA transfer, the CPU can read the EasyDMA channel's AMOUNT register to see how many bytes that were transferred, e.g. it is possible for the CPU to read the MYPERIPHERAL->WRITER.AMOUNT register to see how many bytes the WRITER wrote to RAM.

### 10.1 EasyDMA array list

The EasyDMA is able to operate in a mode called array list.

The EasyDMA array list can be represented by the data structure ArrayList\_type illustrated in the code example below.

This data structure includes only a buffer with size equal to READER.MAXCNT. EasyDMA will use the READER.MAXCNT register to determine when the buffer is full.

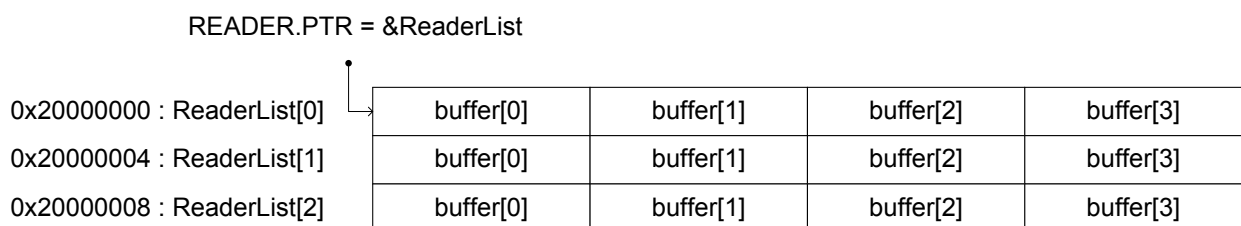
This array list does not provide a mechanism to explicitly specify where the next item in the list is located. Instead, it assumes that the list is organized as a linear array where items are located one after the other in RAM.

```
#define BUFFER_SIZE 4

typedef struct ArrayList
{
    uint8_t buffer[BUFFER_SIZE];
} ArrayList_type;

ArrayList_type ReaderList[3];

READER.MAXCNT = BUFFER_SIZE;
READER.PTR = &ReaderList;
```



**Figure 8: EasyDMA array list**

## 11 NVMC — Non-volatile memory controller

The Non-volatile memory controller (NVMC) is used for writing and erasing the internal Flash memory and the UICR.

Before a write can be performed, the NVMC must be enabled for writing in CONFIG.WEN. Similarly, before an erase can be performed, the NVMC must be enabled for erasing in CONFIG.EEN, see [CONFIG](#) on page 31. The user must make sure that writing and erasing are not enabled at the same time. Failing to do so may result in unpredictable behavior.

### 11.1 Writing to Flash

When writing is enabled, the Flash is written by writing a full 32-bit word to a word-aligned address in the Flash.

The NVMC is only able to write '0' to bits in the Flash that are erased, that is, set to '1'. It cannot write back a bit to '1'.

As illustrated in [Memory](#) on page 23, the Flash is divided into multiple pages that are further divided into multiple blocks. The same block in the Flash can only be written  $n_{WRITE}$  number of times before an erase must be performed using [ERASEPAGE](#) or [ERASEALL](#). See the memory size and organization in [Memory](#) on page 23 for block size.

Only full 32-bit words can be written to Flash using the NVMC interface. To write less than 32 bits to Flash, write the data as a word, and set all the bits that should remain unchanged in the word to '1'. Note that the restriction about the number of writes (see above) still applies in this case.

The time it takes to write a word to the Flash is specified by  $t_{WRITE}$ . The CPU is halted while the NVMC is writing to the Flash.

Only word-aligned writes are allowed. Byte or half-word-aligned writes will result in a hard fault.

### 11.2 Erasing a page in Flash

When erase is enabled, the Flash can be erased page by page using the [ERASEPAGE](#) register.

After erasing a Flash page, all bits in the page are set to '1'. The time it takes to erase a page is specified by  $t_{ERASEPAGE}$ . The CPU is halted while the NVMC performs the erase operation.

### 11.3 Writing to user information configuration registers (UICR)

User information configuration registers (UICR) are written in the same way as Flash. After UICR has been written, the new UICR configuration will only take effect after a reset.

UICR can only be written  $n_{WRITE}$  number of times before an erase must be performed using [ERASEUICR](#) or [ERASEALL](#).

The time it takes to write a word to the UICR is specified by  $t_{WRITE}$ . The CPU is halted while the NVMC is writing to the UICR.

### 11.4 Erasing user information configuration registers (UICR)

When erase is enabled, UICR can be erased using the [ERASEUICR](#) register.

After erasing UICR all bits in UICR are set to '1'. The time it takes to erase UICR is specified by  $t_{ERASEPAGE}$ . The CPU is halted while the NVMC performs the erase operation.

## 11.5 Erase all

When erase is enabled, the whole Flash and UICR can be erased in one operation by using the ERASEALL register. ERASEALL will not erase the factory information configuration registers (FICR).

The time it takes to perform an ERASEALL command is specified by  $t_{ERASEALL}$ . The CPU is halted while the NVMC performs the erase operation.

## 11.6 Cache

An instruction cache (I-Cache) can be enabled for the ICODE bus in the NVMC.

See the Memory map in [Memory map](#) on page 24 for the location of Flash.

A cache hit is an instruction fetch from the cache, and it has a 0 wait-state delay. The number of wait-states for a cache miss, where the instruction is not available in the cache and needs to be fetched from Flash, depends on the processor frequency and is shown in [CPU](#) on page 21.

Enabling the cache can increase CPU performance and reduce power consumption by reducing the number of wait cycles and the number of flash accesses. This will depend on the cache hit rate. Cache will use some current when enabled. If the reduction in average current due to reduced flash accesses is larger than the cache power requirement, the average current to execute the program code will reduce.

When disabled, the cache does not use current and does not retain its content.

It is possible to enable cache profiling to analyze the performance of the cache for your program using the [ICACHECNF](#) register. When profiling is enabled, the [IHIT](#) and [IMISS](#) registers are incremented for every instruction cache hit or miss respectively. The hit and miss profiling registers do not wrap around after reaching the maximum value. If the maximum value is reached, consider profiling for a shorter duration to get correct numbers.

## 11.7 Registers

**Table 12: Instances**

| Base address | Peripheral | Instance | Description                    | Configuration |
|--------------|------------|----------|--------------------------------|---------------|
| 0x4001E000   | NVMC       | NVMC     | Non-Volatile Memory Controller |               |

**Table 13: Register Overview**

| Register                  | Offset | Description  |            |
|---------------------------|--------|--|------------|
| <a href="#">READY</a>     | 0x400  | Ready flag   |            |
| <a href="#">CONFIG</a>    | 0x504  | Configuration register   |            |
| <a href="#">ERASEPAGE</a> | 0x508  | Register for erasing a page in Code area                           |            |
| <a href="#">ERASEPCR1</a> | 0x508  | Register for erasing a page in Code area. Equivalent to ERASEPAGE. | Deprecated |
| <a href="#">ERASEALL</a>  | 0x50C  | Register for erasing all non-volatile user memory                  |            |
| <a href="#">ERASEPCRO</a> | 0x510  | Register for erasing a page in Code area. Equivalent to ERASEPAGE. | Deprecated |
| <a href="#">ERASEUICR</a> | 0x514  | Register for erasing User Information Configuration Registers      |            |
| <a href="#">ICACHECNF</a> | 0x540  | I-Code cache configuration register.                               |            |
| <a href="#">IHIT</a>      | 0x548  | I-Code cache hit counter.  |            |
| <a href="#">IMISS</a>     | 0x54C  | I-Code cache miss counter.   |            |

### 11.7.1 READY

Address offset: 0x400

Ready flag

| Bit number       | 31 | 30    | 29       | 28    | 27   | 26 | 25 | 24 | 23 | 22 | 21 | 20 | 19 | 18 | 17 | 16 | 15 | 14 | 13 | 12 | 11 | 10 | 9 | 8 | 7 | 6 | 5 | 4 | 3 | 2 | 1 | 0 |
|------------------|----|-------|----------|-------|--|----|----|----|----|----|----|----|----|----|----|----|----|----|----|----|----|----|---|---|---|---|---|---|---|---|---|---|
| Id               |    |       |          |       |  |    |    |    |    |    |    |    |    |    |    |    |    |    |    |    |    |    |   |   |   |   |   |   |   |   |   | A |
| Reset 0x00000000 | 0  |       |          |       |  |    |    |    |    |    |    |    |    |    |    |    |    |    |    |    |    |    |   |   |   |   |   |   |   |   |   |   |
| Id               | RW | Field | Value Id | Value | Description                                      |    |    |    |    |    |    |    |    |    |    |    |    |    |    |    |    |    |   |   |   |   |   |   |   |   |   |   |
| A                | R  | READY |          |       | NVMC is ready or busy                            |    |    |    |    |    |    |    |    |    |    |    |    |    |    |    |    |    |   |   |   |   |   |   |   |   |   |   |
|                  |    |       | Busy     | 0     | NVMC is busy (on-going write or erase operation) |    |    |    |    |    |    |    |    |    |    |    |    |    |    |    |    |    |   |   |   |   |   |   |   |   |   |   |
|                  |    |       | Ready    | 1     | NVMC is ready                                    |    |    |    |    |    |    |    |    |    |    |    |    |    |    |    |    |    |   |   |   |   |   |   |   |   |   |   |

### 11.7.2 CONFIG

Address offset: 0x504

Configuration register

| Bit number       | 31 | 30    | 29       | 28    | 27  | 26 | 25 | 24 | 23 | 22 | 21 | 20 | 19 | 18 | 17 | 16 | 15 | 14 | 13 | 12 | 11 | 10 | 9 | 8 | 7 | 6 | 5 | 4 | 3 | 2 | 1 | 0 |   |
|------------------|----|-------|----------|-------|---|----|----|----|----|----|----|----|----|----|----|----|----|----|----|----|----|----|---|---|---|---|---|---|---|---|---|---|---|
| Id               |    |       |          |       |   |    |    |    |    |    |    |    |    |    |    |    |    |    |    |    |    |    |   |   |   |   |   |   |   |   |   | A | A |
| Reset 0x00000000 | 0  |       |          |       |   |    |    |    |    |    |    |    |    |    |    |    |    |    |    |    |    |    |   |   |   |   |   |   |   |   |   |   |   |
| Id               | RW | Field | Value Id | Value | Description   |    |    |    |    |    |    |    |    |    |    |    |    |    |    |    |    |    |   |   |   |   |   |   |   |   |   |   |   |
| A                | RW | WEN   |          |       | Program memory access mode. It is strongly recommended to only activate erase and write modes when they are actively used. Enabling write or erase will invalidate the cache and keep it invalidated. |    |    |    |    |    |    |    |    |    |    |    |    |    |    |    |    |    |   |   |   |   |   |   |   |   |   |   |   |
|                  |    |       | Ren      | 0     | Read only access  |    |    |    |    |    |    |    |    |    |    |    |    |    |    |    |    |    |   |   |   |   |   |   |   |   |   |   |   |
|                  |    |       | Wen      | 1     | Write Enabled   |    |    |    |    |    |    |    |    |    |    |    |    |    |    |    |    |    |   |   |   |   |   |   |   |   |   |   |   |
|                  |    |       | Een      | 2     | Erase enabled   |    |    |    |    |    |    |    |    |    |    |    |    |    |    |    |    |    |   |   |   |   |   |   |   |   |   |   |   |

### 11.7.3 ERASEPAGE

Address offset: 0x508

Register for erasing a page in Code area

| Bit number       | 31 | 30        | 29       | 28    | 27   | 26 | 25 | 24 | 23 | 22 | 21 | 20 | 19 | 18 | 17 | 16 | 15 | 14 | 13 | 12 | 11 | 10 | 9 | 8 | 7 | 6 | 5 | 4 | 3 | 2 | 1 | 0 |
|------------------|----|-----------|----------|-------|--|----|----|----|----|----|----|----|----|----|----|----|----|----|----|----|----|----|---|---|---|---|---|---|---|---|---|---|
| Id               | A  | A         | A        | A     | A  | A  | A  | A  | A  | A  | A  | A  | A  | A  | A  | A  | A  | A  | A  | A  | A  | A  | A | A | A | A | A | A | A | A | A | A |
| Reset 0x00000000 | 0  |           |          |       |  |    |    |    |    |    |    |    |    |    |    |    |    |    |    |    |    |    |   |   |   |   |   |   |   |   |   |   |
| Id               | RW | Field     | Value Id | Value | Description  |    |    |    |    |    |    |    |    |    |    |    |    |    |    |    |    |    |   |   |   |   |   |   |   |   |   |   |
| A                | RW | ERASEPAGE |          |       | Register for starting erase of a page in Code area   |    |    |    |    |    |    |    |    |    |    |    |    |    |    |    |    |    |   |   |   |   |   |   |   |   |   |   |
|                  |    |           |          |       | The value is the address to the page to be erased. (Addresses of first word in page). Note that code erase has to be enabled by CONFIG.EEN before the page can be erased. Attempts to erase pages that are outside the code area may result in undesirable behaviour, e.g. the wrong page may be erased. |    |    |    |    |    |    |    |    |    |    |    |    |    |    |    |    |    |   |   |   |   |   |   |   |   |   |   |

### 11.7.4 ERASEPCR1 ( Deprecated )

Address offset: 0x508

Register for erasing a page in Code area. Equivalent to ERASEPAGE.

| Bit number       | 31 | 30        | 29       | 28    | 27   | 26 | 25 | 24 | 23 | 22 | 21 | 20 | 19 | 18 | 17 | 16 | 15 | 14 | 13 | 12 | 11 | 10 | 9 | 8 | 7 | 6 | 5 | 4 | 3 | 2 | 1 | 0 |
|------------------|----|-----------|----------|-------|--|----|----|----|----|----|----|----|----|----|----|----|----|----|----|----|----|----|---|---|---|---|---|---|---|---|---|---|
| Id               | A  | A         | A        | A     | A  | A  | A  | A  | A  | A  | A  | A  | A  | A  | A  | A  | A  | A  | A  | A  | A  | A  | A | A | A | A | A | A | A | A | A |   |
| Reset 0x00000000 | 0  |           |          |       |  |    |    |    |    |    |    |    |    |    |    |    |    |    |    |    |    |    |   |   |   |   |   |   |   |   |   |   |
| Id               | RW | Field     | Value Id | Value | Description  |    |    |    |    |    |    |    |    |    |    |    |    |    |    |    |    |    |   |   |   |   |   |   |   |   |   |   |
| A                | RW | ERASEPCR1 |          |       | Register for erasing a page in Code area. Equivalent to ERASEPAGE. |    |    |    |    |    |    |    |    |    |    |    |    |    |    |    |    |    |   |   |   |   |   |   |   |   |   |   |

### 11.7.5 ERASEALL

Address offset: 0x50C

Register for erasing all non-volatile user memory





| Bit number       | 31 | 30    | 29       | 28    | 27                   | 26 | 25 | 24 | 23 | 22 | 21 | 20 | 19 | 18 | 17 | 16 | 15 | 14 | 13 | 12 | 11 | 10 | 9 | 8 | 7 | 6 | 5 | 4 | 3 | 2 | 1 | 0 |   |
|------------------|----|-------|----------|-------|----------------------|----|----|----|----|----|----|----|----|----|----|----|----|----|----|----|----|----|---|---|---|---|---|---|---|---|---|---|---|
| Id               | A  | A     | A        | A     | A                    | A  | A  | A  | A  | A  | A  | A  | A  | A  | A  | A  | A  | A  | A  | A  | A  | A  | A | A | A | A | A | A | A | A | A | A | A |
| Reset 0x00000000 | 0  | 0     | 0        | 0     | 0                    | 0  | 0  | 0  | 0  | 0  | 0  | 0  | 0  | 0  | 0  | 0  | 0  | 0  | 0  | 0  | 0  | 0  | 0 | 0 | 0 | 0 | 0 | 0 | 0 | 0 | 0 | 0 |   |
| Id               | RW | Field | Value Id | Value | Description          |    |    |    |    |    |    |    |    |    |    |    |    |    |    |    |    |    |   |   |   |   |   |   |   |   |   |   |   |
| A                | RW | HITS  |          |       | Number of cache hits |    |    |    |    |    |    |    |    |    |    |    |    |    |    |    |    |    |   |   |   |   |   |   |   |   |   |   |   |

### 11.7.10 IMISS

Address offset: 0x54C

I-Code cache miss counter.

| Bit number       | 31 | 30     | 29       | 28    | 27                     | 26 | 25 | 24 | 23 | 22 | 21 | 20 | 19 | 18 | 17 | 16 | 15 | 14 | 13 | 12 | 11 | 10 | 9 | 8 | 7 | 6 | 5 | 4 | 3 | 2 | 1 | 0 |
|------------------|----|--------|----------|-------|------------------------|----|----|----|----|----|----|----|----|----|----|----|----|----|----|----|----|----|---|---|---|---|---|---|---|---|---|---|
| Id               | A  | A      | A        | A     | A                      | A  | A  | A  | A  | A  | A  | A  | A  | A  | A  | A  | A  | A  | A  | A  | A  | A  | A | A | A | A | A | A | A | A | A | A |
| Reset 0x00000000 | 0  | 0      | 0        | 0     | 0                      | 0  | 0  | 0  | 0  | 0  | 0  | 0  | 0  | 0  | 0  | 0  | 0  | 0  | 0  | 0  | 0  | 0  | 0 | 0 | 0 | 0 | 0 | 0 | 0 | 0 | 0 |   |
| Id               | RW | Field  | Value Id | Value | Description            |    |    |    |    |    |    |    |    |    |    |    |    |    |    |    |    |    |   |   |   |   |   |   |   |   |   |   |
| A                | RW | MISSES |          |       | Number of cache misses |    |    |    |    |    |    |    |    |    |    |    |    |    |    |    |    |    |   |   |   |   |   |   |   |   |   |   |

## 11.8 Electrical specification

### 11.8.1 Flash programming

| Symbol            | Description                                       | Min. | Typ. | Max.  | Units   |
|-------------------|---|------|------|-------|---------|
| $n_{WRITE,BLOCK}$ | Amount of writes allowed in a block between erase |      |      | 181   |         |
| $t_{WRITE}$       | Time to write one word                            | 67.5 |      | 338   | $\mu$ s |
| $t_{ERASEPAGE}$   | Time to erase one page                            | 2.05 |      | 89.7  | ms      |
| $t_{ERASEALL}$    | Time to erase all flash                           | 6.72 |      | 295.3 | ms      |

### 11.8.2 Cache size

| Symbol         | Description       | Min. | Typ. | Max. | Units |
|----------------|-------------------|------|------|------|-------|
| $Size_{ICODE}$ | I-Code cache size |      | 2048 |      | Bytes |

## 12 BPROT — Block protection

The mechanism for protecting non-volatile memory can be used to prevent application code from erasing or writing to protected blocks.

Non-volatile memory can be protected from erases and writes depending on the settings in the CONFIG registers. One bit in a CONFIG register represents one protected block of 4 kB. There are four CONFIG registers of 32 bits, which means there are 128 protectable blocks in total.

**Important:** If an erase or write to a protected block is detected, the CPU will hard fault. If an ERASEALL operation is attempted from the CPU while any block is protected, it will be blocked and the CPU will hard fault.

On reset, all the protection bits are cleared. To ensure safe operation, the first task after reset must be to set the protection bits. The only way of clearing protection bits is by resetting the device from any reset source.

The protection mechanism is turned off when in debug interface mode (a debugger is connected) and the DISABLEINDEBUG register is set to disable. For more information, see [Debug and trace](#) on page 72.

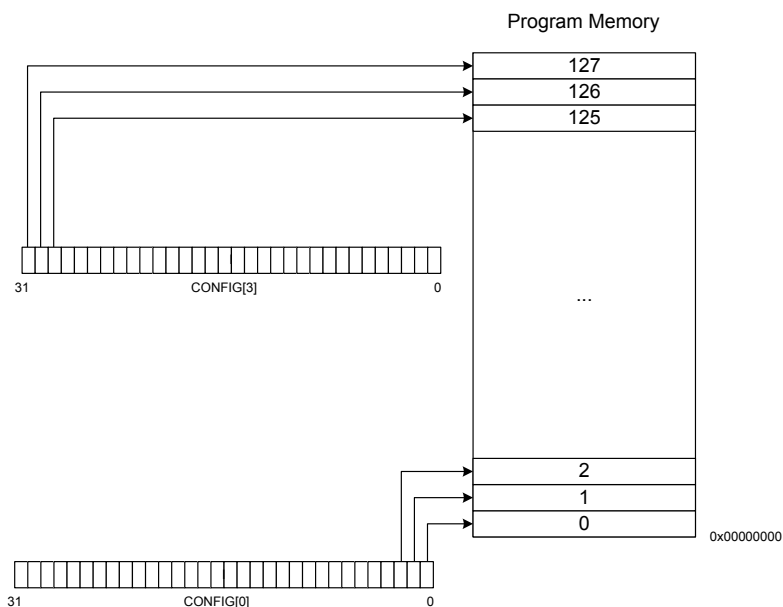


Figure 9: Protected regions of program memory

### 12.1 Registers

Table 14: Instances

| Base address | Peripheral | Instance | Description   | Configuration |
|--------------|------------|----------|---------------|---------------|
| 0x40000000   | BPROT      | BPROT    | Block Protect |               |

Table 15: Register Overview

| Register       | Offset | Description  |          |
|----------------|--------|--|----------|
| CONFIG0        | 0x600  | Block protect configuration register 0               |          |
| CONFIG1        | 0x604  | Block protect configuration register 1               |          |
| DISABLEINDEBUG | 0x608  | Disable protection mechanism in debug interface mode |          |
|                | 0x60C  |  | Reserved |
| CONFIG2        | 0x610  | Block protect configuration register 2               |          |
| CONFIG3        | 0x614  | Block protect configuration register 3               |          |

### 12.1.1 CONFIG0

Address offset: 0x600

Block protect configuration register 0

| Bit number       | 31 30 29 28 27 26 25 24 23 22 21 20 19 18 17 16 15 14 13 12 11 10 9 8 7 6 5 4 3 2 1 0 |          |          |       |  |  |  |  |  |  |  |  |  |  |  |  |  |  |  |  |  |  |  |  |  |  |  |  |  |  |  |  |
|------------------|---|----------|----------|-------|--|--|--|--|--|--|--|--|--|--|--|--|--|--|--|--|--|--|--|--|--|--|--|--|--|--|--|--|
| Id               | f e d c b a Z Y X W V U T S R Q P O N M L K J I H G F E D C B A                       |          |          |       |  |  |  |  |  |  |  |  |  |  |  |  |  |  |  |  |  |  |  |  |  |  |  |  |  |  |  |  |
| Reset 0x00000000 | 0           |          |          |       |  |  |  |  |  |  |  |  |  |  |  |  |  |  |  |  |  |  |  |  |  |  |  |  |  |  |  |  |
| Id               | RW  | Field    | Value Id | Value | Description  |  |  |  |  |  |  |  |  |  |  |  |  |  |  |  |  |  |  |  |  |  |  |  |  |  |  |  |
| A                | RW  | REGION0  | Disabled | 0     | Enable protection for region 0. Write '0' has no effect.<br>Protection disabled  |  |  |  |  |  |  |  |  |  |  |  |  |  |  |  |  |  |  |  |  |  |  |  |  |  |  |  |
|                  |   |          | Enabled  | 1     | Protection enable  |  |  |  |  |  |  |  |  |  |  |  |  |  |  |  |  |  |  |  |  |  |  |  |  |  |  |  |
| B                | RW  | REGION1  | Disabled | 0     | Enable protection for region 1. Write '0' has no effect.<br>Protection disabled  |  |  |  |  |  |  |  |  |  |  |  |  |  |  |  |  |  |  |  |  |  |  |  |  |  |  |  |
|                  |   |          | Enabled  | 1     | Protection enable  |  |  |  |  |  |  |  |  |  |  |  |  |  |  |  |  |  |  |  |  |  |  |  |  |  |  |  |
| C                | RW  | REGION2  | Disabled | 0     | Enable protection for region 2. Write '0' has no effect.<br>Protection disabled  |  |  |  |  |  |  |  |  |  |  |  |  |  |  |  |  |  |  |  |  |  |  |  |  |  |  |  |
|                  |   |          | Enabled  | 1     | Protection enable  |  |  |  |  |  |  |  |  |  |  |  |  |  |  |  |  |  |  |  |  |  |  |  |  |  |  |  |
| D                | RW  | REGION3  | Disabled | 0     | Enable protection for region 3. Write '0' has no effect.<br>Protection disabled  |  |  |  |  |  |  |  |  |  |  |  |  |  |  |  |  |  |  |  |  |  |  |  |  |  |  |  |
|                  |   |          | Enabled  | 1     | Protection enable  |  |  |  |  |  |  |  |  |  |  |  |  |  |  |  |  |  |  |  |  |  |  |  |  |  |  |  |
| E                | RW  | REGION4  | Disabled | 0     | Enable protection for region 4. Write '0' has no effect.<br>Protection disabled  |  |  |  |  |  |  |  |  |  |  |  |  |  |  |  |  |  |  |  |  |  |  |  |  |  |  |  |
|                  |   |          | Enabled  | 1     | Protection enable  |  |  |  |  |  |  |  |  |  |  |  |  |  |  |  |  |  |  |  |  |  |  |  |  |  |  |  |
| F                | RW  | REGION5  | Disabled | 0     | Enable protection for region 5. Write '0' has no effect.<br>Protection disabled  |  |  |  |  |  |  |  |  |  |  |  |  |  |  |  |  |  |  |  |  |  |  |  |  |  |  |  |
|                  |   |          | Enabled  | 1     | Protection enable  |  |  |  |  |  |  |  |  |  |  |  |  |  |  |  |  |  |  |  |  |  |  |  |  |  |  |  |
| G                | RW  | REGION6  | Disabled | 0     | Enable protection for region 6. Write '0' has no effect.<br>Protection disabled  |  |  |  |  |  |  |  |  |  |  |  |  |  |  |  |  |  |  |  |  |  |  |  |  |  |  |  |
|                  |   |          | Enabled  | 1     | Protection enable  |  |  |  |  |  |  |  |  |  |  |  |  |  |  |  |  |  |  |  |  |  |  |  |  |  |  |  |
| H                | RW  | REGION7  | Disabled | 0     | Enable protection for region 7. Write '0' has no effect.<br>Protection disabled  |  |  |  |  |  |  |  |  |  |  |  |  |  |  |  |  |  |  |  |  |  |  |  |  |  |  |  |
|                  |   |          | Enabled  | 1     | Protection enable  |  |  |  |  |  |  |  |  |  |  |  |  |  |  |  |  |  |  |  |  |  |  |  |  |  |  |  |
| I                | RW  | REGION8  | Disabled | 0     | Enable protection for region 8. Write '0' has no effect.<br>Protection disabled  |  |  |  |  |  |  |  |  |  |  |  |  |  |  |  |  |  |  |  |  |  |  |  |  |  |  |  |
|                  |   |          | Enabled  | 1     | Protection enable  |  |  |  |  |  |  |  |  |  |  |  |  |  |  |  |  |  |  |  |  |  |  |  |  |  |  |  |
| J                | RW  | REGION9  | Disabled | 0     | Enable protection for region 9. Write '0' has no effect.<br>Protection disabled  |  |  |  |  |  |  |  |  |  |  |  |  |  |  |  |  |  |  |  |  |  |  |  |  |  |  |  |
|                  |   |          | Enabled  | 1     | Protection enable  |  |  |  |  |  |  |  |  |  |  |  |  |  |  |  |  |  |  |  |  |  |  |  |  |  |  |  |
| K                | RW  | REGION10 | Disabled | 0     | Enable protection for region 10. Write '0' has no effect.<br>Protection disabled |  |  |  |  |  |  |  |  |  |  |  |  |  |  |  |  |  |  |  |  |  |  |  |  |  |  |  |
|                  |   |          | Enabled  | 1     | Protection enable  |  |  |  |  |  |  |  |  |  |  |  |  |  |  |  |  |  |  |  |  |  |  |  |  |  |  |  |
| L                | RW  | REGION11 | Disabled | 0     | Enable protection for region 11. Write '0' has no effect.<br>Protection disabled |  |  |  |  |  |  |  |  |  |  |  |  |  |  |  |  |  |  |  |  |  |  |  |  |  |  |  |
|                  |   |          | Enabled  | 1     | Protection enable  |  |  |  |  |  |  |  |  |  |  |  |  |  |  |  |  |  |  |  |  |  |  |  |  |  |  |  |
| M                | RW  | REGION12 | Disabled | 0     | Enable protection for region 12. Write '0' has no effect.<br>Protection disabled |  |  |  |  |  |  |  |  |  |  |  |  |  |  |  |  |  |  |  |  |  |  |  |  |  |  |  |
|                  |   |          | Enabled  | 1     | Protection enable  |  |  |  |  |  |  |  |  |  |  |  |  |  |  |  |  |  |  |  |  |  |  |  |  |  |  |  |
| N                | RW  | REGION13 | Disabled | 0     | Enable protection for region 13. Write '0' has no effect.<br>Protection disabled |  |  |  |  |  |  |  |  |  |  |  |  |  |  |  |  |  |  |  |  |  |  |  |  |  |  |  |
|                  |   |          | Enabled  | 1     | Protection enable  |  |  |  |  |  |  |  |  |  |  |  |  |  |  |  |  |  |  |  |  |  |  |  |  |  |  |  |
| O                | RW  | REGION14 | Disabled | 0     | Enable protection for region 14. Write '0' has no effect.<br>Protection disabled |  |  |  |  |  |  |  |  |  |  |  |  |  |  |  |  |  |  |  |  |  |  |  |  |  |  |  |
|                  |   |          | Enabled  | 1     | Protection enable  |  |  |  |  |  |  |  |  |  |  |  |  |  |  |  |  |  |  |  |  |  |  |  |  |  |  |  |
| P                | RW  | REGION15 | Disabled | 0     | Enable protection for region 15. Write '0' has no effect.<br>Protection disabled |  |  |  |  |  |  |  |  |  |  |  |  |  |  |  |  |  |  |  |  |  |  |  |  |  |  |  |
|                  |   |          | Enabled  | 1     | Protection enable  |  |  |  |  |  |  |  |  |  |  |  |  |  |  |  |  |  |  |  |  |  |  |  |  |  |  |  |
| Q                | RW  | REGION16 | Disabled | 0     | Enable protection for region 16. Write '0' has no effect.<br>Protection disabled |  |  |  |  |  |  |  |  |  |  |  |  |  |  |  |  |  |  |  |  |  |  |  |  |  |  |  |

|                  |    |    |    |    |    |    |    |    |    |    |    |    |    |    |    |    |    |    |    |    |    |    |   |   |   |   |   |   |   |   |   |   |
|------------------|----|----|----|----|----|----|----|----|----|----|----|----|----|----|----|----|----|----|----|----|----|----|---|---|---|---|---|---|---|---|---|---|
| Bit number       | 31 | 30 | 29 | 28 | 27 | 26 | 25 | 24 | 23 | 22 | 21 | 20 | 19 | 18 | 17 | 16 | 15 | 14 | 13 | 12 | 11 | 10 | 9 | 8 | 7 | 6 | 5 | 4 | 3 | 2 | 1 | 0 |
| Id               | f  | e  | d  | c  | b  | a  | Z  | Y  | X  | W  | V  | U  | T  | S  | R  | Q  | P  | O  | N  | M  | L  | K  | J | I | H | G | F | E | D | C | B | A |
| Reset 0x00000000 | 0  | 0  | 0  | 0  | 0  | 0  | 0  | 0  | 0  | 0  | 0  | 0  | 0  | 0  | 0  | 0  | 0  | 0  | 0  | 0  | 0  | 0  | 0 | 0 | 0 | 0 | 0 | 0 | 0 | 0 | 0 | 0 |

| Id | RW | Field    | Value Id | Value | Description   |
|----|----|----------|----------|-------|---|
|    |    |          | Enabled  | 1     | Protection enable   |
| R  | RW | REGION17 | Enabled  | 1     | Enable protection for region 17. Write '0' has no effect. |
|    |    |          | Disabled | 0     | Protection disabled                                       |
|    |    |          | Enabled  | 1     | Protection enable   |
| S  | RW | REGION18 | Enabled  | 1     | Enable protection for region 18. Write '0' has no effect. |
|    |    |          | Disabled | 0     | Protection disabled                                       |
|    |    |          | Enabled  | 1     | Protection enable   |
| T  | RW | REGION19 | Enabled  | 1     | Enable protection for region 19. Write '0' has no effect. |
|    |    |          | Disabled | 0     | Protection disabled                                       |
|    |    |          | Enabled  | 1     | Protection enable   |
| U  | RW | REGION20 | Enabled  | 1     | Enable protection for region 20. Write '0' has no effect. |
|    |    |          | Disabled | 0     | Protection disabled                                       |
|    |    |          | Enabled  | 1     | Protection enable   |
| V  | RW | REGION21 | Enabled  | 1     | Enable protection for region 21. Write '0' has no effect. |
|    |    |          | Disabled | 0     | Protection disabled                                       |
|    |    |          | Enabled  | 1     | Protection enable   |
| W  | RW | REGION22 | Enabled  | 1     | Enable protection for region 22. Write '0' has no effect. |
|    |    |          | Disabled | 0     | Protection disabled                                       |
|    |    |          | Enabled  | 1     | Protection enable   |
| X  | RW | REGION23 | Enabled  | 1     | Enable protection for region 23. Write '0' has no effect. |
|    |    |          | Disabled | 0     | Protection disabled                                       |
|    |    |          | Enabled  | 1     | Protection enable   |
| Y  | RW | REGION24 | Enabled  | 1     | Enable protection for region 24. Write '0' has no effect. |
|    |    |          | Disabled | 0     | Protection disabled                                       |
|    |    |          | Enabled  | 1     | Protection enable   |
| Z  | RW | REGION25 | Enabled  | 1     | Enable protection for region 25. Write '0' has no effect. |
|    |    |          | Disabled | 0     | Protection disabled                                       |
|    |    |          | Enabled  | 1     | Protection enable   |
| a  | RW | REGION26 | Enabled  | 1     | Enable protection for region 26. Write '0' has no effect. |
|    |    |          | Disabled | 0     | Protection disabled                                       |
|    |    |          | Enabled  | 1     | Protection enable   |
| b  | RW | REGION27 | Enabled  | 1     | Enable protection for region 27. Write '0' has no effect. |
|    |    |          | Disabled | 0     | Protection disabled                                       |
|    |    |          | Enabled  | 1     | Protection enable   |
| c  | RW | REGION28 | Enabled  | 1     | Enable protection for region 28. Write '0' has no effect. |
|    |    |          | Disabled | 0     | Protection disabled                                       |
|    |    |          | Enabled  | 1     | Protection enable   |
| d  | RW | REGION29 | Enabled  | 1     | Enable protection for region 29. Write '0' has no effect. |
|    |    |          | Disabled | 0     | Protection disabled                                       |
|    |    |          | Enabled  | 1     | Protection enable   |
| e  | RW | REGION30 | Enabled  | 1     | Enable protection for region 30. Write '0' has no effect. |
|    |    |          | Disabled | 0     | Protection disabled                                       |
|    |    |          | Enabled  | 1     | Protection enable   |
| f  | RW | REGION31 | Enabled  | 1     | Enable protection for region 31. Write '0' has no effect. |
|    |    |          | Disabled | 0     | Protection disabled                                       |
|    |    |          | Enabled  | 1     | Protection enable   |

### 12.1.2 CONFIG1

Address offset: 0x604

Block protect configuration register 1

|                  |    |    |    |    |    |    |    |    |    |    |    |    |    |    |    |    |    |    |    |    |    |    |   |   |   |   |   |   |   |   |   |   |
|------------------|----|----|----|----|----|----|----|----|----|----|----|----|----|----|----|----|----|----|----|----|----|----|---|---|---|---|---|---|---|---|---|---|
| Bit number       | 31 | 30 | 29 | 28 | 27 | 26 | 25 | 24 | 23 | 22 | 21 | 20 | 19 | 18 | 17 | 16 | 15 | 14 | 13 | 12 | 11 | 10 | 9 | 8 | 7 | 6 | 5 | 4 | 3 | 2 | 1 | 0 |
| Id               | f  | e  | d  | c  | b  | a  | Z  | Y  | X  | W  | V  | U  | T  | S  | R  | Q  | P  | O  | N  | M  | L  | K  | J | I | H | G | F | E | D | C | B | A |
| Reset 0x00000000 | 0  | 0  | 0  | 0  | 0  | 0  | 0  | 0  | 0  | 0  | 0  | 0  | 0  | 0  | 0  | 0  | 0  | 0  | 0  | 0  | 0  | 0  | 0 | 0 | 0 | 0 | 0 | 0 | 0 | 0 | 0 | 0 |

| Id | RW | Field    | Value Id | Value | Description  |
|----|----|----------|----------|-------|--|
| A  | RW | REGION32 | Disabled | 0     | Enable protection for region 32. Write '0' has no effect.<br>Protection disabled |
|    |    |          | Enabled  | 1     | Protection enabled   |
| B  | RW | REGION33 | Disabled | 0     | Enable protection for region 33. Write '0' has no effect.<br>Protection disabled |
|    |    |          | Enabled  | 1     | Protection enabled   |
| C  | RW | REGION34 | Disabled | 0     | Enable protection for region 34. Write '0' has no effect.<br>Protection disabled |
|    |    |          | Enabled  | 1     | Protection enabled   |
| D  | RW | REGION35 | Disabled | 0     | Enable protection for region 35. Write '0' has no effect.<br>Protection disabled |
|    |    |          | Enabled  | 1     | Protection enabled   |
| E  | RW | REGION36 | Disabled | 0     | Enable protection for region 36. Write '0' has no effect.<br>Protection disabled |
|    |    |          | Enabled  | 1     | Protection enabled   |
| F  | RW | REGION37 | Disabled | 0     | Enable protection for region 37. Write '0' has no effect.<br>Protection disabled |
|    |    |          | Enabled  | 1     | Protection enabled   |
| G  | RW | REGION38 | Disabled | 0     | Enable protection for region 38. Write '0' has no effect.<br>Protection disabled |
|    |    |          | Enabled  | 1     | Protection enabled   |
| H  | RW | REGION39 | Disabled | 0     | Enable protection for region 39. Write '0' has no effect.<br>Protection disabled |
|    |    |          | Enabled  | 1     | Protection enabled   |
| I  | RW | REGION40 | Disabled | 0     | Enable protection for region 40. Write '0' has no effect.<br>Protection disabled |
|    |    |          | Enabled  | 1     | Protection enabled   |
| J  | RW | REGION41 | Disabled | 0     | Enable protection for region 41. Write '0' has no effect.<br>Protection disabled |
|    |    |          | Enabled  | 1     | Protection enabled   |
| K  | RW | REGION42 | Disabled | 0     | Enable protection for region 42. Write '0' has no effect.<br>Protection disabled |
|    |    |          | Enabled  | 1     | Protection enabled   |
| L  | RW | REGION43 | Disabled | 0     | Enable protection for region 43. Write '0' has no effect.<br>Protection disabled |
|    |    |          | Enabled  | 1     | Protection enabled   |
| M  | RW | REGION44 | Disabled | 0     | Enable protection for region 44. Write '0' has no effect.<br>Protection disabled |
|    |    |          | Enabled  | 1     | Protection enabled   |
| N  | RW | REGION45 | Disabled | 0     | Enable protection for region 45. Write '0' has no effect.<br>Protection disabled |
|    |    |          | Enabled  | 1     | Protection enabled   |
| O  | RW | REGION46 | Disabled | 0     | Enable protection for region 46. Write '0' has no effect.<br>Protection disabled |
|    |    |          | Enabled  | 1     | Protection enabled   |
| P  | RW | REGION47 | Disabled | 0     | Enable protection for region 47. Write '0' has no effect.<br>Protection disabled |
|    |    |          | Enabled  | 1     | Protection enabled   |
| Q  | RW | REGION48 | Disabled | 0     | Enable protection for region 48. Write '0' has no effect.<br>Protection disabled |
|    |    |          | Enabled  | 1     | Protection enabled   |
| R  | RW | REGION49 | Disabled | 0     | Enable protection for region 49. Write '0' has no effect.<br>Protection disabled |
|    |    |          | Enabled  | 1     | Protection enabled   |
| S  | RW | REGION50 |          |       | Enable protection for region 50. Write '0' has no effect.                        |

| Bit number       | 31 30 29 28 27 26 25 24 23 22 21 20 19 18 17 16 15 14 13 12 11 10 9 8 7 6 5 4 3 2 1 0 |          |          |       |   |  |  |  |  |  |  |  |  |  |  |  |  |  |  |  |  |  |  |  |  |  |  |  |  |  |  |  |
|------------------|---|----------|----------|-------|---|--|--|--|--|--|--|--|--|--|--|--|--|--|--|--|--|--|--|--|--|--|--|--|--|--|--|--|
| Id               | f e d c b a Z Y X W V U T S R Q P O N M L K J I H G F E D C B A                       |          |          |       |   |  |  |  |  |  |  |  |  |  |  |  |  |  |  |  |  |  |  |  |  |  |  |  |  |  |  |  |
| Reset 0x00000000 | 0           |          |          |       |   |  |  |  |  |  |  |  |  |  |  |  |  |  |  |  |  |  |  |  |  |  |  |  |  |  |  |  |
| Id               | RW  | Field    | Value Id | Value | Description   |  |  |  |  |  |  |  |  |  |  |  |  |  |  |  |  |  |  |  |  |  |  |  |  |  |  |  |
|                  |   |          | Disabled | 0     | Protection disabled                                       |  |  |  |  |  |  |  |  |  |  |  |  |  |  |  |  |  |  |  |  |  |  |  |  |  |  |  |
|                  |   |          | Enabled  | 1     | Protection enabled  |  |  |  |  |  |  |  |  |  |  |  |  |  |  |  |  |  |  |  |  |  |  |  |  |  |  |  |
| T                | RW  | REGION51 |          |       | Enable protection for region 51. Write '0' has no effect. |  |  |  |  |  |  |  |  |  |  |  |  |  |  |  |  |  |  |  |  |  |  |  |  |  |  |  |
|                  |   |          | Disabled | 0     | Protection disabled                                       |  |  |  |  |  |  |  |  |  |  |  |  |  |  |  |  |  |  |  |  |  |  |  |  |  |  |  |
|                  |   |          | Enabled  | 1     | Protection enabled  |  |  |  |  |  |  |  |  |  |  |  |  |  |  |  |  |  |  |  |  |  |  |  |  |  |  |  |
| U                | RW  | REGION52 |          |       | Enable protection for region 52. Write '0' has no effect. |  |  |  |  |  |  |  |  |  |  |  |  |  |  |  |  |  |  |  |  |  |  |  |  |  |  |  |
|                  |   |          | Disabled | 0     | Protection disabled                                       |  |  |  |  |  |  |  |  |  |  |  |  |  |  |  |  |  |  |  |  |  |  |  |  |  |  |  |
|                  |   |          | Enabled  | 1     | Protection enabled  |  |  |  |  |  |  |  |  |  |  |  |  |  |  |  |  |  |  |  |  |  |  |  |  |  |  |  |
| V                | RW  | REGION53 |          |       | Enable protection for region 53. Write '0' has no effect. |  |  |  |  |  |  |  |  |  |  |  |  |  |  |  |  |  |  |  |  |  |  |  |  |  |  |  |
|                  |   |          | Disabled | 0     | Protection disabled                                       |  |  |  |  |  |  |  |  |  |  |  |  |  |  |  |  |  |  |  |  |  |  |  |  |  |  |  |
|                  |   |          | Enabled  | 1     | Protection enabled  |  |  |  |  |  |  |  |  |  |  |  |  |  |  |  |  |  |  |  |  |  |  |  |  |  |  |  |
| W                | RW  | REGION54 |          |       | Enable protection for region 54. Write '0' has no effect. |  |  |  |  |  |  |  |  |  |  |  |  |  |  |  |  |  |  |  |  |  |  |  |  |  |  |  |
|                  |   |          | Disabled | 0     | Protection disabled                                       |  |  |  |  |  |  |  |  |  |  |  |  |  |  |  |  |  |  |  |  |  |  |  |  |  |  |  |
|                  |   |          | Enabled  | 1     | Protection enabled  |  |  |  |  |  |  |  |  |  |  |  |  |  |  |  |  |  |  |  |  |  |  |  |  |  |  |  |
| X                | RW  | REGION55 |          |       | Enable protection for region 55. Write '0' has no effect. |  |  |  |  |  |  |  |  |  |  |  |  |  |  |  |  |  |  |  |  |  |  |  |  |  |  |  |
|                  |   |          | Disabled | 0     | Protection disabled                                       |  |  |  |  |  |  |  |  |  |  |  |  |  |  |  |  |  |  |  |  |  |  |  |  |  |  |  |
|                  |   |          | Enabled  | 1     | Protection enabled  |  |  |  |  |  |  |  |  |  |  |  |  |  |  |  |  |  |  |  |  |  |  |  |  |  |  |  |
| Y                | RW  | REGION56 |          |       | Enable protection for region 56. Write '0' has no effect. |  |  |  |  |  |  |  |  |  |  |  |  |  |  |  |  |  |  |  |  |  |  |  |  |  |  |  |
|                  |   |          | Disabled | 0     | Protection disabled                                       |  |  |  |  |  |  |  |  |  |  |  |  |  |  |  |  |  |  |  |  |  |  |  |  |  |  |  |
|                  |   |          | Enabled  | 1     | Protection enabled  |  |  |  |  |  |  |  |  |  |  |  |  |  |  |  |  |  |  |  |  |  |  |  |  |  |  |  |
| Z                | RW  | REGION57 |          |       | Enable protection for region 57. Write '0' has no effect. |  |  |  |  |  |  |  |  |  |  |  |  |  |  |  |  |  |  |  |  |  |  |  |  |  |  |  |
|                  |   |          | Disabled | 0     | Protection disabled                                       |  |  |  |  |  |  |  |  |  |  |  |  |  |  |  |  |  |  |  |  |  |  |  |  |  |  |  |
|                  |   |          | Enabled  | 1     | Protection enabled  |  |  |  |  |  |  |  |  |  |  |  |  |  |  |  |  |  |  |  |  |  |  |  |  |  |  |  |
| a                | RW  | REGION58 |          |       | Enable protection for region 58. Write '0' has no effect. |  |  |  |  |  |  |  |  |  |  |  |  |  |  |  |  |  |  |  |  |  |  |  |  |  |  |  |
|                  |   |          | Disabled | 0     | Protection disabled                                       |  |  |  |  |  |  |  |  |  |  |  |  |  |  |  |  |  |  |  |  |  |  |  |  |  |  |  |
|                  |   |          | Enabled  | 1     | Protection enabled  |  |  |  |  |  |  |  |  |  |  |  |  |  |  |  |  |  |  |  |  |  |  |  |  |  |  |  |
| b                | RW  | REGION59 |          |       | Enable protection for region 59. Write '0' has no effect. |  |  |  |  |  |  |  |  |  |  |  |  |  |  |  |  |  |  |  |  |  |  |  |  |  |  |  |
|                  |   |          | Disabled | 0     | Protection disabled                                       |  |  |  |  |  |  |  |  |  |  |  |  |  |  |  |  |  |  |  |  |  |  |  |  |  |  |  |
|                  |   |          | Enabled  | 1     | Protection enabled  |  |  |  |  |  |  |  |  |  |  |  |  |  |  |  |  |  |  |  |  |  |  |  |  |  |  |  |
| c                | RW  | REGION60 |          |       | Enable protection for region 60. Write '0' has no effect. |  |  |  |  |  |  |  |  |  |  |  |  |  |  |  |  |  |  |  |  |  |  |  |  |  |  |  |
|                  |   |          | Disabled | 0     | Protection disabled                                       |  |  |  |  |  |  |  |  |  |  |  |  |  |  |  |  |  |  |  |  |  |  |  |  |  |  |  |
|                  |   |          | Enabled  | 1     | Protection enabled  |  |  |  |  |  |  |  |  |  |  |  |  |  |  |  |  |  |  |  |  |  |  |  |  |  |  |  |
| d                | RW  | REGION61 |          |       | Enable protection for region 61. Write '0' has no effect. |  |  |  |  |  |  |  |  |  |  |  |  |  |  |  |  |  |  |  |  |  |  |  |  |  |  |  |
|                  |   |          | Disabled | 0     | Protection disabled                                       |  |  |  |  |  |  |  |  |  |  |  |  |  |  |  |  |  |  |  |  |  |  |  |  |  |  |  |
|                  |   |          | Enabled  | 1     | Protection enabled  |  |  |  |  |  |  |  |  |  |  |  |  |  |  |  |  |  |  |  |  |  |  |  |  |  |  |  |
| e                | RW  | REGION62 |          |       | Enable protection for region 62. Write '0' has no effect. |  |  |  |  |  |  |  |  |  |  |  |  |  |  |  |  |  |  |  |  |  |  |  |  |  |  |  |
|                  |   |          | Disabled | 0     | Protection disabled                                       |  |  |  |  |  |  |  |  |  |  |  |  |  |  |  |  |  |  |  |  |  |  |  |  |  |  |  |
|                  |   |          | Enabled  | 1     | Protection enabled  |  |  |  |  |  |  |  |  |  |  |  |  |  |  |  |  |  |  |  |  |  |  |  |  |  |  |  |
| f                | RW  | REGION63 |          |       | Enable protection for region 63. Write '0' has no effect. |  |  |  |  |  |  |  |  |  |  |  |  |  |  |  |  |  |  |  |  |  |  |  |  |  |  |  |
|                  |   |          | Disabled | 0     | Protection disabled                                       |  |  |  |  |  |  |  |  |  |  |  |  |  |  |  |  |  |  |  |  |  |  |  |  |  |  |  |
|                  |   |          | Enabled  | 1     | Protection enabled  |  |  |  |  |  |  |  |  |  |  |  |  |  |  |  |  |  |  |  |  |  |  |  |  |  |  |  |

### 12.1.3 DISABLEINDEBUG

Address offset: 0x608

Disable protection mechanism in debug interface mode

| Bit number       | 31 30 29 28 27 26 25 24 23 22 21 20 19 18 17 16 15 14 13 12 11 10 9 8 7 6 5 4 3 2 1 0 |                |          |       |  |  |  |  |  |  |  |  |  |  |  |  |  |  |  |  |  |  |  |  |  |  |  |  |  |  |  |  |
|------------------|---|----------------|----------|-------|--|--|--|--|--|--|--|--|--|--|--|--|--|--|--|--|--|--|--|--|--|--|--|--|--|--|--|--|
| Id               |   |                |          |       |  |  |  |  |  |  |  |  |  |  |  |  |  |  |  |  |  |  |  |  |  |  |  |  |  |  |  |  |
| Reset 0x00000001 | 0 1             |                |          |       |  |  |  |  |  |  |  |  |  |  |  |  |  |  |  |  |  |  |  |  |  |  |  |  |  |  |  |  |
| Id               | RW  | Field          | Value Id | Value | Description  |  |  |  |  |  |  |  |  |  |  |  |  |  |  |  |  |  |  |  |  |  |  |  |  |  |  |  |
| A                | RW  | DISABLEINDEBUG |          |       | Disable the protection mechanism for NVM regions while in debug interface mode. This register will only disable the protection mechanism if the device is in debug interface mode. |  |  |  |  |  |  |  |  |  |  |  |  |  |  |  |  |  |  |  |  |  |  |  |  |  |  |  |
|                  |   |                | Disabled | 1     | Disable in debug   |  |  |  |  |  |  |  |  |  |  |  |  |  |  |  |  |  |  |  |  |  |  |  |  |  |  |  |

| Bit number       | 31 | 30    | 29       | 28    | 27              | 26 | 25 | 24 | 23 | 22 | 21 | 20 | 19 | 18 | 17 | 16 | 15 | 14 | 13 | 12 | 11 | 10 | 9 | 8 | 7 | 6 | 5 | 4 | 3 | 2 | 1 | 0 |
|------------------|----|-------|----------|-------|-----------------|----|----|----|----|----|----|----|----|----|----|----|----|----|----|----|----|----|---|---|---|---|---|---|---|---|---|---|
| Id               |    |       |          |       |                 |    |    |    |    |    |    |    |    |    |    |    |    | A  |    |    |    |    |   |   |   |   |   |   |   |   |   |   |
| Reset 0x00000001 | 0  | 0     | 0        | 0     | 0               | 0  | 0  | 0  | 0  | 0  | 0  | 0  | 0  | 0  | 0  | 0  | 0  | 0  | 0  | 0  | 0  | 0  | 0 | 0 | 0 | 0 | 0 | 0 | 0 | 0 | 0 | 1 |
| Id               | RW | Field | Value Id | Value | Description     |    |    |    |    |    |    |    |    |    |    |    |    |    |    |    |    |    |   |   |   |   |   |   |   |   |   |   |
|                  |    |       | Enabled  | 0     | Enable in debug |    |    |    |    |    |    |    |    |    |    |    |    |    |    |    |    |    |   |   |   |   |   |   |   |   |   |   |

### 12.1.4 CONFIG2

Address offset: 0x610

Block protect configuration register 2

| Bit number       | 31  | 30       | 29       | 28    | 27   | 26 | 25 | 24 | 23 | 22 | 21 | 20 | 19 | 18 | 17 | 16 | 15 | 14 | 13 | 12 | 11 | 10 | 9 | 8 | 7 | 6 | 5 | 4 | 3 | 2 | 1 | 0 |
|------------------|---|----------|----------|-------|--|----|----|----|----|----|----|----|----|----|----|----|----|----|----|----|----|----|---|---|---|---|---|---|---|---|---|---|
| Id               | f e d c b a Z Y X W V U T S R Q P O N M L K J I H G F E D C B A |          |          |       |  |    |    |    |    |    |    |    |    |    |    |    |    |    |    |    |    |    |   |   |   |   |   |   |   |   |   |   |
| Reset 0x00000000 | 0   | 0        | 0        | 0     | 0  | 0  | 0  | 0  | 0  | 0  | 0  | 0  | 0  | 0  | 0  | 0  | 0  | 0  | 0  | 0  | 0  | 0  | 0 | 0 | 0 | 0 | 0 | 0 | 0 | 0 | 0 |   |
| Id               | RW  | Field    | Value Id | Value | Description  |    |    |    |    |    |    |    |    |    |    |    |    |    |    |    |    |    |   |   |   |   |   |   |   |   |   |   |
| A                | RW  | REGION64 | Enabled  | 0     | Enable protection for region 64. Write '0' has no effect.                        |    |    |    |    |    |    |    |    |    |    |    |    |    |    |    |    |    |   |   |   |   |   |   |   |   |   |   |
|                  |   |          | Disabled | 1     | Protection disabled  |    |    |    |    |    |    |    |    |    |    |    |    |    |    |    |    |    |   |   |   |   |   |   |   |   |   |   |
| B                | RW  | REGION65 | Enabled  | 0     | Enable protection for region 65. Write '0' has no effect.                        |    |    |    |    |    |    |    |    |    |    |    |    |    |    |    |    |    |   |   |   |   |   |   |   |   |   |   |
|                  |   |          | Disabled | 1     | Protection disabled  |    |    |    |    |    |    |    |    |    |    |    |    |    |    |    |    |    |   |   |   |   |   |   |   |   |   |   |
| C                | RW  | REGION66 | Enabled  | 0     | Enable protection for region 66. Write '0' has no effect.                        |    |    |    |    |    |    |    |    |    |    |    |    |    |    |    |    |    |   |   |   |   |   |   |   |   |   |   |
|                  |   |          | Disabled | 1     | Protection disabled  |    |    |    |    |    |    |    |    |    |    |    |    |    |    |    |    |    |   |   |   |   |   |   |   |   |   |   |
| D                | RW  | REGION67 | Enabled  | 0     | Enable protection for region 67. Write '0' has no effect.                        |    |    |    |    |    |    |    |    |    |    |    |    |    |    |    |    |    |   |   |   |   |   |   |   |   |   |   |
|                  |   |          | Disabled | 1     | Protection disabled  |    |    |    |    |    |    |    |    |    |    |    |    |    |    |    |    |    |   |   |   |   |   |   |   |   |   |   |
| E                | RW  | REGION68 | Enabled  | 0     | Enable protection for region 68. Write '0' has no effect.                        |    |    |    |    |    |    |    |    |    |    |    |    |    |    |    |    |    |   |   |   |   |   |   |   |   |   |   |
|                  |   |          | Disabled | 1     | Protection disabled  |    |    |    |    |    |    |    |    |    |    |    |    |    |    |    |    |    |   |   |   |   |   |   |   |   |   |   |
| F                | RW  | REGION69 | Enabled  | 0     | Enable protection for region 69. Write '0' has no effect.                        |    |    |    |    |    |    |    |    |    |    |    |    |    |    |    |    |    |   |   |   |   |   |   |   |   |   |   |
|                  |   |          | Disabled | 1     | Protection disabled  |    |    |    |    |    |    |    |    |    |    |    |    |    |    |    |    |    |   |   |   |   |   |   |   |   |   |   |
| G                | RW  | REGION70 | Enabled  | 0     | Enable protection for region 70. Write '0' has no effect.                        |    |    |    |    |    |    |    |    |    |    |    |    |    |    |    |    |    |   |   |   |   |   |   |   |   |   |   |
|                  |   |          | Disabled | 1     | Protection disabled  |    |    |    |    |    |    |    |    |    |    |    |    |    |    |    |    |    |   |   |   |   |   |   |   |   |   |   |
| H                | RW  | REGION71 | Enabled  | 0     | Enable protection for region 71. Write '0' has no effect.                        |    |    |    |    |    |    |    |    |    |    |    |    |    |    |    |    |    |   |   |   |   |   |   |   |   |   |   |
|                  |   |          | Disabled | 1     | Protection disabled  |    |    |    |    |    |    |    |    |    |    |    |    |    |    |    |    |    |   |   |   |   |   |   |   |   |   |   |
| I                | RW  | REGION72 | Enabled  | 0     | Enable protection for region 72. Write '0' has no effect.                        |    |    |    |    |    |    |    |    |    |    |    |    |    |    |    |    |    |   |   |   |   |   |   |   |   |   |   |
|                  |   |          | Disabled | 1     | Protection disabled  |    |    |    |    |    |    |    |    |    |    |    |    |    |    |    |    |    |   |   |   |   |   |   |   |   |   |   |
| J                | RW  | REGION73 | Enabled  | 0     | Enable protection for region 73. Write '0' has no effect.                        |    |    |    |    |    |    |    |    |    |    |    |    |    |    |    |    |    |   |   |   |   |   |   |   |   |   |   |
|                  |   |          | Disabled | 1     | Protection disabled  |    |    |    |    |    |    |    |    |    |    |    |    |    |    |    |    |    |   |   |   |   |   |   |   |   |   |   |
| K                | RW  | REGION74 | Enabled  | 0     | Enable protection for region 74. Write '0' has no effect.                        |    |    |    |    |    |    |    |    |    |    |    |    |    |    |    |    |    |   |   |   |   |   |   |   |   |   |   |
|                  |   |          | Disabled | 1     | Protection disabled  |    |    |    |    |    |    |    |    |    |    |    |    |    |    |    |    |    |   |   |   |   |   |   |   |   |   |   |
| L                | RW  | REGION75 | Enabled  | 0     | Enable protection for region 75. Write '0' has no effect.                        |    |    |    |    |    |    |    |    |    |    |    |    |    |    |    |    |    |   |   |   |   |   |   |   |   |   |   |
|                  |   |          | Disabled | 1     | Protection disabled  |    |    |    |    |    |    |    |    |    |    |    |    |    |    |    |    |    |   |   |   |   |   |   |   |   |   |   |
| M                | RW  | REGION76 | Enabled  | 0     | Enable protection for region 76. Write '0' has no effect.                        |    |    |    |    |    |    |    |    |    |    |    |    |    |    |    |    |    |   |   |   |   |   |   |   |   |   |   |
|                  |   |          | Disabled | 1     | Protection disabled  |    |    |    |    |    |    |    |    |    |    |    |    |    |    |    |    |    |   |   |   |   |   |   |   |   |   |   |
| N                | RW  | REGION77 | Enabled  | 0     | Enable protection for region 77. Write '0' has no effect.                        |    |    |    |    |    |    |    |    |    |    |    |    |    |    |    |    |    |   |   |   |   |   |   |   |   |   |   |
|                  |   |          | Disabled | 1     | Protection disabled  |    |    |    |    |    |    |    |    |    |    |    |    |    |    |    |    |    |   |   |   |   |   |   |   |   |   |   |
| O                | RW  | REGION78 | Disabled | 0     | Enable protection for region 78. Write '0' has no effect.<br>Protection disabled |    |    |    |    |    |    |    |    |    |    |    |    |    |    |    |    |    |   |   |   |   |   |   |   |   |   |   |

|                  |    |    |    |    |    |    |    |    |    |    |    |    |    |    |    |    |    |    |    |    |    |    |   |   |   |   |   |   |   |   |   |   |
|------------------|----|----|----|----|----|----|----|----|----|----|----|----|----|----|----|----|----|----|----|----|----|----|---|---|---|---|---|---|---|---|---|---|
| Bit number       | 31 | 30 | 29 | 28 | 27 | 26 | 25 | 24 | 23 | 22 | 21 | 20 | 19 | 18 | 17 | 16 | 15 | 14 | 13 | 12 | 11 | 10 | 9 | 8 | 7 | 6 | 5 | 4 | 3 | 2 | 1 | 0 |
| Id               | f  | e  | d  | c  | b  | a  | Z  | Y  | X  | W  | V  | U  | T  | S  | R  | Q  | P  | O  | N  | M  | L  | K  | J | I | H | G | F | E | D | C | B | A |
| Reset 0x00000000 | 0  | 0  | 0  | 0  | 0  | 0  | 0  | 0  | 0  | 0  | 0  | 0  | 0  | 0  | 0  | 0  | 0  | 0  | 0  | 0  | 0  | 0  | 0 | 0 | 0 | 0 | 0 | 0 | 0 | 0 | 0 | 0 |

| Id | RW | Field    | Value Id | Value | Description   |
|----|----|----------|----------|-------|---|
|    |    |          | Enabled  | 1     | Protection enabled  |
| P  | RW | REGION79 | Enabled  | 1     | Enable protection for region 79. Write '0' has no effect. |
|    |    |          | Disabled | 0     | Protection disabled                                       |
|    |    |          | Enabled  | 1     | Protection enabled  |
| Q  | RW | REGION80 | Enabled  | 1     | Enable protection for region 80. Write '0' has no effect. |
|    |    |          | Disabled | 0     | Protection disabled                                       |
|    |    |          | Enabled  | 1     | Protection enabled  |
| R  | RW | REGION81 | Enabled  | 1     | Enable protection for region 81. Write '0' has no effect. |
|    |    |          | Disabled | 0     | Protection disabled                                       |
|    |    |          | Enabled  | 1     | Protection enabled  |
| S  | RW | REGION82 | Enabled  | 1     | Enable protection for region 82. Write '0' has no effect. |
|    |    |          | Disabled | 0     | Protection disabled                                       |
|    |    |          | Enabled  | 1     | Protection enabled  |
| T  | RW | REGION83 | Enabled  | 1     | Enable protection for region 83. Write '0' has no effect. |
|    |    |          | Disabled | 0     | Protection disabled                                       |
|    |    |          | Enabled  | 1     | Protection enabled  |
| U  | RW | REGION84 | Enabled  | 1     | Enable protection for region 84. Write '0' has no effect. |
|    |    |          | Disabled | 0     | Protection disabled                                       |
|    |    |          | Enabled  | 1     | Protection enabled  |
| V  | RW | REGION85 | Enabled  | 1     | Enable protection for region 85. Write '0' has no effect. |
|    |    |          | Disabled | 0     | Protection disabled                                       |
|    |    |          | Enabled  | 1     | Protection enabled  |
| W  | RW | REGION86 | Enabled  | 1     | Enable protection for region 86. Write '0' has no effect. |
|    |    |          | Disabled | 0     | Protection disabled                                       |
|    |    |          | Enabled  | 1     | Protection enabled  |
| X  | RW | REGION87 | Enabled  | 1     | Enable protection for region 87. Write '0' has no effect. |
|    |    |          | Disabled | 0     | Protection disabled                                       |
|    |    |          | Enabled  | 1     | Protection enabled  |
| Y  | RW | REGION88 | Enabled  | 1     | Enable protection for region 88. Write '0' has no effect. |
|    |    |          | Disabled | 0     | Protection disabled                                       |
|    |    |          | Enabled  | 1     | Protection enabled  |
| Z  | RW | REGION89 | Enabled  | 1     | Enable protection for region 89. Write '0' has no effect. |
|    |    |          | Disabled | 0     | Protection disabled                                       |
|    |    |          | Enabled  | 1     | Protection enabled  |
| a  | RW | REGION90 | Enabled  | 1     | Enable protection for region 90. Write '0' has no effect. |
|    |    |          | Disabled | 0     | Protection disabled                                       |
|    |    |          | Enabled  | 1     | Protection enabled  |
| b  | RW | REGION91 | Enabled  | 1     | Enable protection for region 91. Write '0' has no effect. |
|    |    |          | Disabled | 0     | Protection disabled                                       |
|    |    |          | Enabled  | 1     | Protection enabled  |
| c  | RW | REGION92 | Enabled  | 1     | Enable protection for region 92. Write '0' has no effect. |
|    |    |          | Disabled | 0     | Protection disabled                                       |
|    |    |          | Enabled  | 1     | Protection enabled  |
| d  | RW | REGION93 | Enabled  | 1     | Enable protection for region 93. Write '0' has no effect. |
|    |    |          | Disabled | 0     | Protection disabled                                       |
|    |    |          | Enabled  | 1     | Protection enabled  |
| e  | RW | REGION94 | Enabled  | 1     | Enable protection for region 94. Write '0' has no effect. |
|    |    |          | Disabled | 0     | Protection disabled                                       |
|    |    |          | Enabled  | 1     | Protection enabled  |
| f  | RW | REGION95 | Enabled  | 1     | Enable protection for region 95. Write '0' has no effect. |
|    |    |          | Disabled | 0     | Protection disabled                                       |
|    |    |          | Enabled  | 1     | Protection enabled  |



## 12.1.5 CONFIG3

Address offset: 0x614

Block protect configuration register 3

| Bit number       | 31 | 30        | 29       | 28    | 27  | 26 | 25 | 24 | 23 | 22 | 21 | 20 | 19 | 18 | 17 | 16 | 15 | 14 | 13 | 12 | 11 | 10 | 9 | 8 | 7 | 6 | 5 | 4 | 3 | 2 | 1 | 0 |
|------------------|----|-----------|----------|-------|---|----|----|----|----|----|----|----|----|----|----|----|----|----|----|----|----|----|---|---|---|---|---|---|---|---|---|---|
| Id               | f  | e         | d        | c     | b   | a  | Z  | Y  | X  | W  | V  | U  | T  | S  | R  | Q  | P  | O  | N  | M  | L  | K  | J | I | H | G | F | E | D | C | B | A |
| Reset 0x00000000 | 0  | 0         | 0        | 0     | 0   | 0  | 0  | 0  | 0  | 0  | 0  | 0  | 0  | 0  | 0  | 0  | 0  | 0  | 0  | 0  | 0  | 0  | 0 | 0 | 0 | 0 | 0 | 0 | 0 | 0 | 0 | 0 |
| Id               | RW | Field     | Value Id | Value | Description   |    |    |    |    |    |    |    |    |    |    |    |    |    |    |    |    |    |   |   |   |   |   |   |   |   |   |   |
| A                | RW | REGION96  | Disabled | 0     | Enable protection for region 96. Write '0' has no effect.<br>Protection disabled  |    |    |    |    |    |    |    |    |    |    |    |    |    |    |    |    |    |   |   |   |   |   |   |   |   |   |   |
|                  |    |           | Enabled  | 1     | Protection enabled  |    |    |    |    |    |    |    |    |    |    |    |    |    |    |    |    |    |   |   |   |   |   |   |   |   |   |   |
| B                | RW | REGION97  | Disabled | 0     | Enable protection for region 97. Write '0' has no effect.<br>Protection disabled  |    |    |    |    |    |    |    |    |    |    |    |    |    |    |    |    |    |   |   |   |   |   |   |   |   |   |   |
|                  |    |           | Enabled  | 1     | Protection enabled  |    |    |    |    |    |    |    |    |    |    |    |    |    |    |    |    |    |   |   |   |   |   |   |   |   |   |   |
| C                | RW | REGION98  | Disabled | 0     | Enable protection for region 98. Write '0' has no effect.<br>Protection disabled  |    |    |    |    |    |    |    |    |    |    |    |    |    |    |    |    |    |   |   |   |   |   |   |   |   |   |   |
|                  |    |           | Enabled  | 1     | Protection enabled  |    |    |    |    |    |    |    |    |    |    |    |    |    |    |    |    |    |   |   |   |   |   |   |   |   |   |   |
| D                | RW | REGION99  | Disabled | 0     | Enable protection for region 99. Write '0' has no effect.<br>Protection disabled  |    |    |    |    |    |    |    |    |    |    |    |    |    |    |    |    |    |   |   |   |   |   |   |   |   |   |   |
|                  |    |           | Enabled  | 1     | Protection enabled  |    |    |    |    |    |    |    |    |    |    |    |    |    |    |    |    |    |   |   |   |   |   |   |   |   |   |   |
| E                | RW | REGION100 | Disabled | 0     | Enable protection for region 100. Write '0' has no effect.<br>Protection disabled |    |    |    |    |    |    |    |    |    |    |    |    |    |    |    |    |    |   |   |   |   |   |   |   |   |   |   |
|                  |    |           | Enabled  | 1     | Protection enabled  |    |    |    |    |    |    |    |    |    |    |    |    |    |    |    |    |    |   |   |   |   |   |   |   |   |   |   |
| F                | RW | REGION101 | Disabled | 0     | Enable protection for region 101. Write '0' has no effect.<br>Protection disabled |    |    |    |    |    |    |    |    |    |    |    |    |    |    |    |    |    |   |   |   |   |   |   |   |   |   |   |
|                  |    |           | Enabled  | 1     | Protection enabled  |    |    |    |    |    |    |    |    |    |    |    |    |    |    |    |    |    |   |   |   |   |   |   |   |   |   |   |
| G                | RW | REGION102 | Disabled | 0     | Enable protection for region 102. Write '0' has no effect.<br>Protection disabled |    |    |    |    |    |    |    |    |    |    |    |    |    |    |    |    |    |   |   |   |   |   |   |   |   |   |   |
|                  |    |           | Enabled  | 1     | Protection enabled  |    |    |    |    |    |    |    |    |    |    |    |    |    |    |    |    |    |   |   |   |   |   |   |   |   |   |   |
| H                | RW | REGION103 | Disabled | 0     | Enable protection for region 103. Write '0' has no effect.<br>Protection disabled |    |    |    |    |    |    |    |    |    |    |    |    |    |    |    |    |    |   |   |   |   |   |   |   |   |   |   |
|                  |    |           | Enabled  | 1     | Protection enabled  |    |    |    |    |    |    |    |    |    |    |    |    |    |    |    |    |    |   |   |   |   |   |   |   |   |   |   |
| I                | RW | REGION104 | Disabled | 0     | Enable protection for region 104. Write '0' has no effect.<br>Protection disabled |    |    |    |    |    |    |    |    |    |    |    |    |    |    |    |    |    |   |   |   |   |   |   |   |   |   |   |
|                  |    |           | Enabled  | 1     | Protection enabled  |    |    |    |    |    |    |    |    |    |    |    |    |    |    |    |    |    |   |   |   |   |   |   |   |   |   |   |
| J                | RW | REGION105 | Disabled | 0     | Enable protection for region 105. Write '0' has no effect.<br>Protection disabled |    |    |    |    |    |    |    |    |    |    |    |    |    |    |    |    |    |   |   |   |   |   |   |   |   |   |   |
|                  |    |           | Enabled  | 1     | Protection enabled  |    |    |    |    |    |    |    |    |    |    |    |    |    |    |    |    |    |   |   |   |   |   |   |   |   |   |   |
| K                | RW | REGION106 | Disabled | 0     | Enable protection for region 106. Write '0' has no effect.<br>Protection disabled |    |    |    |    |    |    |    |    |    |    |    |    |    |    |    |    |    |   |   |   |   |   |   |   |   |   |   |
|                  |    |           | Enabled  | 1     | Protection enabled  |    |    |    |    |    |    |    |    |    |    |    |    |    |    |    |    |    |   |   |   |   |   |   |   |   |   |   |
| L                | RW | REGION107 | Disabled | 0     | Enable protection for region 107. Write '0' has no effect.<br>Protection disabled |    |    |    |    |    |    |    |    |    |    |    |    |    |    |    |    |    |   |   |   |   |   |   |   |   |   |   |
|                  |    |           | Enabled  | 1     | Protection enabled  |    |    |    |    |    |    |    |    |    |    |    |    |    |    |    |    |    |   |   |   |   |   |   |   |   |   |   |
| M                | RW | REGION108 | Disabled | 0     | Enable protection for region 108. Write '0' has no effect.<br>Protection disabled |    |    |    |    |    |    |    |    |    |    |    |    |    |    |    |    |    |   |   |   |   |   |   |   |   |   |   |
|                  |    |           | Enabled  | 1     | Protection enabled  |    |    |    |    |    |    |    |    |    |    |    |    |    |    |    |    |    |   |   |   |   |   |   |   |   |   |   |
| N                | RW | REGION109 | Disabled | 0     | Enable protection for region 109. Write '0' has no effect.<br>Protection disabled |    |    |    |    |    |    |    |    |    |    |    |    |    |    |    |    |    |   |   |   |   |   |   |   |   |   |   |
|                  |    |           | Enabled  | 1     | Protection enabled  |    |    |    |    |    |    |    |    |    |    |    |    |    |    |    |    |    |   |   |   |   |   |   |   |   |   |   |
| O                | RW | REGION110 | Disabled | 0     | Enable protection for region 110. Write '0' has no effect.<br>Protection disabled |    |    |    |    |    |    |    |    |    |    |    |    |    |    |    |    |    |   |   |   |   |   |   |   |   |   |   |
|                  |    |           | Enabled  | 1     | Protection enabled  |    |    |    |    |    |    |    |    |    |    |    |    |    |    |    |    |    |   |   |   |   |   |   |   |   |   |   |
| P                | RW | REGION111 | Disabled | 0     | Enable protection for region 111. Write '0' has no effect.<br>Protection disabled |    |    |    |    |    |    |    |    |    |    |    |    |    |    |    |    |    |   |   |   |   |   |   |   |   |   |   |
|                  |    |           | Enabled  | 1     | Protection enabled  |    |    |    |    |    |    |    |    |    |    |    |    |    |    |    |    |    |   |   |   |   |   |   |   |   |   |   |
| Q                | RW | REGION112 | Disabled | 0     | Enable protection for region 112. Write '0' has no effect.<br>Protection disabled |    |    |    |    |    |    |    |    |    |    |    |    |    |    |    |    |    |   |   |   |   |   |   |   |   |   |   |

|                  |    |    |    |    |    |    |    |    |    |    |    |    |    |    |    |    |    |    |    |    |    |    |   |   |   |   |   |   |   |   |   |   |
|------------------|----|----|----|----|----|----|----|----|----|----|----|----|----|----|----|----|----|----|----|----|----|----|---|---|---|---|---|---|---|---|---|---|
| Bit number       | 31 | 30 | 29 | 28 | 27 | 26 | 25 | 24 | 23 | 22 | 21 | 20 | 19 | 18 | 17 | 16 | 15 | 14 | 13 | 12 | 11 | 10 | 9 | 8 | 7 | 6 | 5 | 4 | 3 | 2 | 1 | 0 |
| Id               | f  | e  | d  | c  | b  | a  | Z  | Y  | X  | W  | V  | U  | T  | S  | R  | Q  | P  | O  | N  | M  | L  | K  | J | I | H | G | F | E | D | C | B | A |
| Reset 0x00000000 | 0  | 0  | 0  | 0  | 0  | 0  | 0  | 0  | 0  | 0  | 0  | 0  | 0  | 0  | 0  | 0  | 0  | 0  | 0  | 0  | 0  | 0  | 0 | 0 | 0 | 0 | 0 | 0 | 0 | 0 | 0 | 0 |

| Id | RW | Field     | Value Id | Value | Description  |
|----|----|-----------|----------|-------|--|
|    |    |           | Enabled  | 1     | Protection enabled   |
| R  | RW | REGION113 | Enabled  | 1     | Enable protection for region 113. Write '0' has no effect. |
|    |    |           | Disabled | 0     | Protection disabled  |
|    |    |           | Enabled  | 1     | Protection enabled   |
| S  | RW | REGION114 | Enabled  | 1     | Enable protection for region 114. Write '0' has no effect. |
|    |    |           | Disabled | 0     | Protection disabled  |
|    |    |           | Enabled  | 1     | Protection enabled   |
| T  | RW | REGION115 | Enabled  | 1     | Enable protection for region 115. Write '0' has no effect. |
|    |    |           | Disabled | 0     | Protection disabled  |
|    |    |           | Enabled  | 1     | Protection enabled   |
| U  | RW | REGION116 | Enabled  | 1     | Enable protection for region 116. Write '0' has no effect. |
|    |    |           | Disabled | 0     | Protection disabled  |
|    |    |           | Enabled  | 1     | Protection enabled   |
| V  | RW | REGION117 | Enabled  | 1     | Enable protection for region 117. Write '0' has no effect. |
|    |    |           | Disabled | 0     | Protection disabled  |
|    |    |           | Enabled  | 1     | Protection enabled   |
| W  | RW | REGION118 | Enabled  | 1     | Enable protection for region 118. Write '0' has no effect. |
|    |    |           | Disabled | 0     | Protection disabled  |
|    |    |           | Enabled  | 1     | Protection enabled   |
| X  | RW | REGION119 | Enabled  | 1     | Enable protection for region 119. Write '0' has no effect. |
|    |    |           | Disabled | 0     | Protection disabled  |
|    |    |           | Enabled  | 1     | Protection enabled   |
| Y  | RW | REGION120 | Enabled  | 1     | Enable protection for region 120. Write '0' has no effect. |
|    |    |           | Disabled | 0     | Protection disabled  |
|    |    |           | Enabled  | 1     | Protection enabled   |
| Z  | RW | REGION121 | Enabled  | 1     | Enable protection for region 121. Write '0' has no effect. |
|    |    |           | Disabled | 0     | Protection disabled  |
|    |    |           | Enabled  | 1     | Protection enabled   |
| a  | RW | REGION122 | Enabled  | 1     | Enable protection for region 122. Write '0' has no effect. |
|    |    |           | Disabled | 0     | Protection disabled  |
|    |    |           | Enabled  | 1     | Protection enabled   |
| b  | RW | REGION123 | Enabled  | 1     | Enable protection for region 123. Write '0' has no effect. |
|    |    |           | Disabled | 0     | Protection disabled  |
|    |    |           | Enabled  | 1     | Protection enabled   |
| c  | RW | REGION124 | Enabled  | 1     | Enable protection for region 124. Write '0' has no effect. |
|    |    |           | Disabled | 0     | Protection disabled  |
|    |    |           | Enabled  | 1     | Protection enabled   |
| d  | RW | REGION125 | Enabled  | 1     | Enable protection for region 125. Write '0' has no effect. |
|    |    |           | Disabled | 0     | Protection disabled  |
|    |    |           | Enabled  | 1     | Protection enabled   |
| e  | RW | REGION126 | Enabled  | 1     | Enable protection for region 126. Write '0' has no effect. |
|    |    |           | Disabled | 0     | Protection disabled  |
|    |    |           | Enabled  | 1     | Protection enabled   |
| f  | RW | REGION127 | Enabled  | 1     | Enable protection for region 127. Write '0' has no effect. |
|    |    |           | Disabled | 0     | Protection disabled  |
|    |    |           | Enabled  | 1     | Protection enabled   |

# 13 FICR — Factory information configuration registers

Factory information configuration registers (FICR) are pre-programmed in factory and cannot be erased by the user. These registers contain chip-specific information and configuration.

## 13.1 Registers

**Table 16: Instances**

| Base address | Peripheral | Instance | Description                       | Configuration |
|--------------|------------|----------|-----------------------------------|---------------|
| 0x10000000   | FICR       | FICR     | Factory Information Configuration |               |

**Table 17: Register Overview**

| Register              | Offset | Description   |          |
|-----------------------|--------|---|----------|
| <i>CODEPAGESIZE</i>   | 0x010  | Code memory page size                                       |          |
| <i>CODESIZE</i>       | 0x014  | Code memory size  |          |
| <i>DEVICEID[0]</i>    | 0x060  | Device identifier   |          |
| <i>DEVICEID[1]</i>    | 0x064  | Device identifier   |          |
| <i>ER[0]</i>          | 0x080  | Encryption Root, word 0                                     |          |
| <i>ER[1]</i>          | 0x084  | Encryption Root, word 1                                     |          |
| <i>ER[2]</i>          | 0x088  | Encryption Root, word 2                                     |          |
| <i>ER[3]</i>          | 0x08C  | Encryption Root, word 3                                     |          |
| <i>IR[0]</i>          | 0x090  | Identity Root, word 0                                       |          |
| <i>IR[1]</i>          | 0x094  | Identity Root, word 1                                       |          |
| <i>IR[2]</i>          | 0x098  | Identity Root, word 2                                       |          |
| <i>IR[3]</i>          | 0x09C  | Identity Root, word 3                                       |          |
| <i>DEVICEADDRTYPE</i> | 0x0A0  | Device address type   |          |
| <i>DEVICEADDR[0]</i>  | 0x0A4  | Device address 0  |          |
| <i>DEVICEADDR[1]</i>  | 0x0A8  | Device address 1  |          |
| <i>INFO.PART</i>      | 0x100  | Part code   |          |
| <i>INFO.VARIANT</i>   | 0x104  | Part Variant, Hardware version and Production configuration |          |
| <i>INFO.PACKAGE</i>   | 0x108  | Package option  |          |
| <i>INFO.RAM</i>       | 0x10C  | RAM variant   |          |
| <i>INFO.FLASH</i>     | 0x110  | Flash variant   |          |
|                       | 0x114  |   | Reserved |
|                       | 0x118  |   | Reserved |
|                       | 0x11C  |   | Reserved |
| <i>TEMP.A0</i>        | 0x404  | Slope definition A0.  |          |
| <i>TEMP.A1</i>        | 0x408  | Slope definition A1.  |          |
| <i>TEMP.A2</i>        | 0x40C  | Slope definition A2.  |          |
| <i>TEMP.A3</i>        | 0x410  | Slope definition A3.  |          |
| <i>TEMP.A4</i>        | 0x414  | Slope definition A4.  |          |
| <i>TEMP.A5</i>        | 0x418  | Slope definition A5.  |          |
| <i>TEMP.B0</i>        | 0x41C  | y-intercept B0.   |          |
| <i>TEMP.B1</i>        | 0x420  | y-intercept B1.   |          |
| <i>TEMP.B2</i>        | 0x424  | y-intercept B2.   |          |
| <i>TEMP.B3</i>        | 0x428  | y-intercept B3.   |          |
| <i>TEMP.B4</i>        | 0x42C  | y-intercept B4.   |          |
| <i>TEMP.B5</i>        | 0x430  | y-intercept B5.   |          |
| <i>TEMP.T0</i>        | 0x434  | Segment end T0.   |          |
| <i>TEMP.T1</i>        | 0x438  | Segment end T1.   |          |
| <i>TEMP.T2</i>        | 0x43C  | Segment end T2.   |          |
| <i>TEMP.T3</i>        | 0x440  | Segment end T3.   |          |
| <i>TEMP.T4</i>        | 0x444  | Segment end T4.   |          |

| Register              | Offset | Description  |
|-----------------------|--------|--|
| <i>NFC.TAGHEADER0</i> | 0x450  | Default header for NFC Tag. Software can read these values to populate NFCID1_3RD_LAST, NFCID1_2ND_LAST and NFCID1_LAST. |
| <i>NFC.TAGHEADER1</i> | 0x454  | Default header for NFC Tag. Software can read these values to populate NFCID1_3RD_LAST, NFCID1_2ND_LAST and NFCID1_LAST. |
| <i>NFC.TAGHEADER2</i> | 0x458  | Default header for NFC Tag. Software can read these values to populate NFCID1_3RD_LAST, NFCID1_2ND_LAST and NFCID1_LAST. |
| <i>NFC.TAGHEADER3</i> | 0x45C  | Default header for NFC Tag. Software can read these values to populate NFCID1_3RD_LAST, NFCID1_2ND_LAST and NFCID1_LAST. |

### 13.1.1 CODEPAGESIZE

Address offset: 0x010

Code memory page size

| Bit number       | 31 | 30           | 29       | 28    | 27                    | 26 | 25 | 24 | 23 | 22 | 21 | 20 | 19 | 18 | 17 | 16 | 15 | 14 | 13 | 12 | 11 | 10 | 9 | 8 | 7 | 6 | 5 | 4 | 3 | 2 | 1 | 0 |
|------------------|----|--------------|----------|-------|-----------------------|----|----|----|----|----|----|----|----|----|----|----|----|----|----|----|----|----|---|---|---|---|---|---|---|---|---|---|
| Id               | A  | A            | A        | A     | A                     | A  | A  | A  | A  | A  | A  | A  | A  | A  | A  | A  | A  | A  | A  | A  | A  | A  | A | A | A | A | A | A | A | A | A | A |
| Reset 0xFFFFFFFF | 1  | 1            | 1        | 1     | 1                     | 1  | 1  | 1  | 1  | 1  | 1  | 1  | 1  | 1  | 1  | 1  | 1  | 1  | 1  | 1  | 1  | 1  | 1 | 1 | 1 | 1 | 1 | 1 | 1 | 1 | 1 |   |
| Id               | RW | Field        | Value Id | Value | Description           |    |    |    |    |    |    |    |    |    |    |    |    |    |    |    |    |    |   |   |   |   |   |   |   |   |   |   |
| A                | R  | CODEPAGESIZE |          |       | Code memory page size |    |    |    |    |    |    |    |    |    |    |    |    |    |    |    |    |    |   |   |   |   |   |   |   |   |   |   |

### 13.1.2 CODESIZE

Address offset: 0x014

Code memory size

| Bit number                                   | 31 | 30       | 29       | 28    | 27                                  | 26 | 25 | 24 | 23 | 22 | 21 | 20 | 19 | 18 | 17 | 16 | 15 | 14 | 13 | 12 | 11 | 10 | 9 | 8 | 7 | 6 | 5 | 4 | 3 | 2 | 1 | 0 |
|--|----|----------|----------|-------|-------------------------------------|----|----|----|----|----|----|----|----|----|----|----|----|----|----|----|----|----|---|---|---|---|---|---|---|---|---|---|
| Id   | A  | A        | A        | A     | A                                   | A  | A  | A  | A  | A  | A  | A  | A  | A  | A  | A  | A  | A  | A  | A  | A  | A  | A | A | A | A | A | A | A | A | A |   |
| Reset 0xFFFFFFFF                             | 1  | 1        | 1        | 1     | 1                                   | 1  | 1  | 1  | 1  | 1  | 1  | 1  | 1  | 1  | 1  | 1  | 1  | 1  | 1  | 1  | 1  | 1  | 1 | 1 | 1 | 1 | 1 | 1 | 1 | 1 | 1 |   |
| Id   | RW | Field    | Value Id | Value | Description                         |    |    |    |    |    |    |    |    |    |    |    |    |    |    |    |    |    |   |   |   |   |   |   |   |   |   |   |
| A  | R  | CODESIZE |          |       | Code memory size in number of pages |    |    |    |    |    |    |    |    |    |    |    |    |    |    |    |    |    |   |   |   |   |   |   |   |   |   |   |
| Total code space is: CODEPAGESIZE * CODESIZE |    |          |          |       |                                     |    |    |    |    |    |    |    |    |    |    |    |    |    |    |    |    |    |   |   |   |   |   |   |   |   |   |   |

### 13.1.3 DEVICEID[0]

Address offset: 0x060

Device identifier

| Bit number   | 31 | 30       | 29       | 28    | 27                              | 26 | 25 | 24 | 23 | 22 | 21 | 20 | 19 | 18 | 17 | 16 | 15 | 14 | 13 | 12 | 11 | 10 | 9 | 8 | 7 | 6 | 5 | 4 | 3 | 2 | 1 | 0 |
|--|----|----------|----------|-------|---------------------------------|----|----|----|----|----|----|----|----|----|----|----|----|----|----|----|----|----|---|---|---|---|---|---|---|---|---|---|
| Id   | A  | A        | A        | A     | A                               | A  | A  | A  | A  | A  | A  | A  | A  | A  | A  | A  | A  | A  | A  | A  | A  | A  | A | A | A | A | A | A | A | A | A |   |
| Reset 0xFFFFFFFF   | 1  | 1        | 1        | 1     | 1                               | 1  | 1  | 1  | 1  | 1  | 1  | 1  | 1  | 1  | 1  | 1  | 1  | 1  | 1  | 1  | 1  | 1  | 1 | 1 | 1 | 1 | 1 | 1 | 1 | 1 | 1 |   |
| Id   | RW | Field    | Value Id | Value | Description                     |    |    |    |    |    |    |    |    |    |    |    |    |    |    |    |    |    |   |   |   |   |   |   |   |   |   |   |
| A  | R  | DEVICEID |          |       | 64 bit unique device identifier |    |    |    |    |    |    |    |    |    |    |    |    |    |    |    |    |    |   |   |   |   |   |   |   |   |   |   |
| DEVICEID[0] contains the least significant bits of the device identifier. DEVICEID[1] contains the most significant bits of the device identifier. |    |          |          |       |                                 |    |    |    |    |    |    |    |    |    |    |    |    |    |    |    |    |    |   |   |   |   |   |   |   |   |   |   |

### 13.1.4 DEVICEID[1]

Address offset: 0x064

Device identifier

| Bit number       | 31 | 30       | 29       | 28    | 27                              | 26 | 25 | 24 | 23 | 22 | 21 | 20 | 19 | 18 | 17 | 16 | 15 | 14 | 13 | 12 | 11 | 10 | 9 | 8 | 7 | 6 | 5 | 4 | 3 | 2 | 1 | 0 |
|------------------|----|----------|----------|-------|---------------------------------|----|----|----|----|----|----|----|----|----|----|----|----|----|----|----|----|----|---|---|---|---|---|---|---|---|---|---|
| Id               | A  | A        | A        | A     | A                               | A  | A  | A  | A  | A  | A  | A  | A  | A  | A  | A  | A  | A  | A  | A  | A  | A  | A | A | A | A | A | A | A | A | A |   |
| Reset 0xFFFFFFFF | 1  | 1        | 1        | 1     | 1                               | 1  | 1  | 1  | 1  | 1  | 1  | 1  | 1  | 1  | 1  | 1  | 1  | 1  | 1  | 1  | 1  | 1  | 1 | 1 | 1 | 1 | 1 | 1 | 1 | 1 | 1 |   |
| Id               | RW | Field    | Value Id | Value | Description                     |    |    |    |    |    |    |    |    |    |    |    |    |    |    |    |    |    |   |   |   |   |   |   |   |   |   |   |
| A                | R  | DEVICEID |          |       | 64 bit unique device identifier |    |    |    |    |    |    |    |    |    |    |    |    |    |    |    |    |    |   |   |   |   |   |   |   |   |   |   |

| Bit number       | 31 | 30    | 29       | 28    | 27   | 26 | 25 | 24 | 23 | 22 | 21 | 20 | 19 | 18 | 17 | 16 | 15 | 14 | 13 | 12 | 11 | 10 | 9 | 8 | 7 | 6 | 5 | 4 | 3 | 2 | 1 | 0 |
|------------------|----|-------|----------|-------|--|----|----|----|----|----|----|----|----|----|----|----|----|----|----|----|----|----|---|---|---|---|---|---|---|---|---|---|
| Id               | A  | A     | A        | A     | A  | A  | A  | A  | A  | A  | A  | A  | A  | A  | A  | A  | A  | A  | A  | A  | A  | A  | A | A | A | A | A | A | A | A | A | A |
| Reset 0xFFFFFFFF | 1  | 1     | 1        | 1     | 1  | 1  | 1  | 1  | 1  | 1  | 1  | 1  | 1  | 1  | 1  | 1  | 1  | 1  | 1  | 1  | 1  | 1  | 1 | 1 | 1 | 1 | 1 | 1 | 1 | 1 | 1 |   |
| Id               | RW | Field | Value Id | Value | Description  |    |    |    |    |    |    |    |    |    |    |    |    |    |    |    |    |    |   |   |   |   |   |   |   |   |   |   |
|                  |    |       |          |       | DEVICEID[0] contains the least significant bits of the device identifier. DEVICEID[1] contains the most significant bits of the device identifier. |    |    |    |    |    |    |    |    |    |    |    |    |    |    |    |    |    |   |   |   |   |   |   |   |   |   |   |

### 13.1.5 ER[0]

Address offset: 0x080  
 Encryption Root, word 0

| Bit number       | 31 | 30    | 29       | 28    | 27                      | 26 | 25 | 24 | 23 | 22 | 21 | 20 | 19 | 18 | 17 | 16 | 15 | 14 | 13 | 12 | 11 | 10 | 9 | 8 | 7 | 6 | 5 | 4 | 3 | 2 | 1 | 0 |
|------------------|----|-------|----------|-------|-------------------------|----|----|----|----|----|----|----|----|----|----|----|----|----|----|----|----|----|---|---|---|---|---|---|---|---|---|---|
| Id               | A  | A     | A        | A     | A                       | A  | A  | A  | A  | A  | A  | A  | A  | A  | A  | A  | A  | A  | A  | A  | A  | A  | A | A | A | A | A | A | A | A | A |   |
| Reset 0xFFFFFFFF | 1  | 1     | 1        | 1     | 1                       | 1  | 1  | 1  | 1  | 1  | 1  | 1  | 1  | 1  | 1  | 1  | 1  | 1  | 1  | 1  | 1  | 1  | 1 | 1 | 1 | 1 | 1 | 1 | 1 | 1 | 1 |   |
| Id               | RW | Field | Value Id | Value | Description             |    |    |    |    |    |    |    |    |    |    |    |    |    |    |    |    |    |   |   |   |   |   |   |   |   |   |   |
| A                | R  | ER    |          |       | Encryption Root, word n |    |    |    |    |    |    |    |    |    |    |    |    |    |    |    |    |    |   |   |   |   |   |   |   |   |   |   |

### 13.1.6 ER[1]

Address offset: 0x084  
 Encryption Root, word 1

| Bit number       | 31 | 30    | 29       | 28    | 27                      | 26 | 25 | 24 | 23 | 22 | 21 | 20 | 19 | 18 | 17 | 16 | 15 | 14 | 13 | 12 | 11 | 10 | 9 | 8 | 7 | 6 | 5 | 4 | 3 | 2 | 1 | 0 |
|------------------|----|-------|----------|-------|-------------------------|----|----|----|----|----|----|----|----|----|----|----|----|----|----|----|----|----|---|---|---|---|---|---|---|---|---|---|
| Id               | A  | A     | A        | A     | A                       | A  | A  | A  | A  | A  | A  | A  | A  | A  | A  | A  | A  | A  | A  | A  | A  | A  | A | A | A | A | A | A | A | A | A |   |
| Reset 0xFFFFFFFF | 1  | 1     | 1        | 1     | 1                       | 1  | 1  | 1  | 1  | 1  | 1  | 1  | 1  | 1  | 1  | 1  | 1  | 1  | 1  | 1  | 1  | 1  | 1 | 1 | 1 | 1 | 1 | 1 | 1 | 1 | 1 |   |
| Id               | RW | Field | Value Id | Value | Description             |    |    |    |    |    |    |    |    |    |    |    |    |    |    |    |    |    |   |   |   |   |   |   |   |   |   |   |
| A                | R  | ER    |          |       | Encryption Root, word n |    |    |    |    |    |    |    |    |    |    |    |    |    |    |    |    |    |   |   |   |   |   |   |   |   |   |   |

### 13.1.7 ER[2]

Address offset: 0x088  
 Encryption Root, word 2

| Bit number       | 31 | 30    | 29       | 28    | 27                      | 26 | 25 | 24 | 23 | 22 | 21 | 20 | 19 | 18 | 17 | 16 | 15 | 14 | 13 | 12 | 11 | 10 | 9 | 8 | 7 | 6 | 5 | 4 | 3 | 2 | 1 | 0 |
|------------------|----|-------|----------|-------|-------------------------|----|----|----|----|----|----|----|----|----|----|----|----|----|----|----|----|----|---|---|---|---|---|---|---|---|---|---|
| Id               | A  | A     | A        | A     | A                       | A  | A  | A  | A  | A  | A  | A  | A  | A  | A  | A  | A  | A  | A  | A  | A  | A  | A | A | A | A | A | A | A | A | A |   |
| Reset 0xFFFFFFFF | 1  | 1     | 1        | 1     | 1                       | 1  | 1  | 1  | 1  | 1  | 1  | 1  | 1  | 1  | 1  | 1  | 1  | 1  | 1  | 1  | 1  | 1  | 1 | 1 | 1 | 1 | 1 | 1 | 1 | 1 | 1 |   |
| Id               | RW | Field | Value Id | Value | Description             |    |    |    |    |    |    |    |    |    |    |    |    |    |    |    |    |    |   |   |   |   |   |   |   |   |   |   |
| A                | R  | ER    |          |       | Encryption Root, word n |    |    |    |    |    |    |    |    |    |    |    |    |    |    |    |    |    |   |   |   |   |   |   |   |   |   |   |

### 13.1.8 ER[3]

Address offset: 0x08C  
 Encryption Root, word 3

| Bit number       | 31 | 30    | 29       | 28    | 27                      | 26 | 25 | 24 | 23 | 22 | 21 | 20 | 19 | 18 | 17 | 16 | 15 | 14 | 13 | 12 | 11 | 10 | 9 | 8 | 7 | 6 | 5 | 4 | 3 | 2 | 1 | 0 |
|------------------|----|-------|----------|-------|-------------------------|----|----|----|----|----|----|----|----|----|----|----|----|----|----|----|----|----|---|---|---|---|---|---|---|---|---|---|
| Id               | A  | A     | A        | A     | A                       | A  | A  | A  | A  | A  | A  | A  | A  | A  | A  | A  | A  | A  | A  | A  | A  | A  | A | A | A | A | A | A | A | A | A |   |
| Reset 0xFFFFFFFF | 1  | 1     | 1        | 1     | 1                       | 1  | 1  | 1  | 1  | 1  | 1  | 1  | 1  | 1  | 1  | 1  | 1  | 1  | 1  | 1  | 1  | 1  | 1 | 1 | 1 | 1 | 1 | 1 | 1 | 1 | 1 |   |
| Id               | RW | Field | Value Id | Value | Description             |    |    |    |    |    |    |    |    |    |    |    |    |    |    |    |    |    |   |   |   |   |   |   |   |   |   |   |
| A                | R  | ER    |          |       | Encryption Root, word n |    |    |    |    |    |    |    |    |    |    |    |    |    |    |    |    |    |   |   |   |   |   |   |   |   |   |   |

### 13.1.9 IR[0]

Address offset: 0x090  
 Identity Root, word 0

| Bit number       | 31 | 30    | 29       | 28    | 27                    | 26 | 25 | 24 | 23 | 22 | 21 | 20 | 19 | 18 | 17 | 16 | 15 | 14 | 13 | 12 | 11 | 10 | 9 | 8 | 7 | 6 | 5 | 4 | 3 | 2 | 1 | 0 |
|------------------|----|-------|----------|-------|-----------------------|----|----|----|----|----|----|----|----|----|----|----|----|----|----|----|----|----|---|---|---|---|---|---|---|---|---|---|
| Id               | A  | A     | A        | A     | A                     | A  | A  | A  | A  | A  | A  | A  | A  | A  | A  | A  | A  | A  | A  | A  | A  | A  | A | A | A | A | A | A | A | A | A | A |
| Reset 0xFFFFFFFF | 1  | 1     | 1        | 1     | 1                     | 1  | 1  | 1  | 1  | 1  | 1  | 1  | 1  | 1  | 1  | 1  | 1  | 1  | 1  | 1  | 1  | 1  | 1 | 1 | 1 | 1 | 1 | 1 | 1 | 1 | 1 |   |
| Id               | RW | Field | Value Id | Value | Description           |    |    |    |    |    |    |    |    |    |    |    |    |    |    |    |    |    |   |   |   |   |   |   |   |   |   |   |
| A                | R  | IR    |          |       | Identity Root, word n |    |    |    |    |    |    |    |    |    |    |    |    |    |    |    |    |    |   |   |   |   |   |   |   |   |   |   |

### 13.1.10 IR[1]

Address offset: 0x094

Identity Root, word 1

| Bit number       | 31 | 30    | 29       | 28    | 27                    | 26 | 25 | 24 | 23 | 22 | 21 | 20 | 19 | 18 | 17 | 16 | 15 | 14 | 13 | 12 | 11 | 10 | 9 | 8 | 7 | 6 | 5 | 4 | 3 | 2 | 1 | 0 |
|------------------|----|-------|----------|-------|-----------------------|----|----|----|----|----|----|----|----|----|----|----|----|----|----|----|----|----|---|---|---|---|---|---|---|---|---|---|
| Id               | A  | A     | A        | A     | A                     | A  | A  | A  | A  | A  | A  | A  | A  | A  | A  | A  | A  | A  | A  | A  | A  | A  | A | A | A | A | A | A | A | A | A |   |
| Reset 0xFFFFFFFF | 1  | 1     | 1        | 1     | 1                     | 1  | 1  | 1  | 1  | 1  | 1  | 1  | 1  | 1  | 1  | 1  | 1  | 1  | 1  | 1  | 1  | 1  | 1 | 1 | 1 | 1 | 1 | 1 | 1 | 1 | 1 |   |
| Id               | RW | Field | Value Id | Value | Description           |    |    |    |    |    |    |    |    |    |    |    |    |    |    |    |    |    |   |   |   |   |   |   |   |   |   |   |
| A                | R  | IR    |          |       | Identity Root, word n |    |    |    |    |    |    |    |    |    |    |    |    |    |    |    |    |    |   |   |   |   |   |   |   |   |   |   |

### 13.1.11 IR[2]

Address offset: 0x098

Identity Root, word 2

| Bit number       | 31 | 30    | 29       | 28    | 27                    | 26 | 25 | 24 | 23 | 22 | 21 | 20 | 19 | 18 | 17 | 16 | 15 | 14 | 13 | 12 | 11 | 10 | 9 | 8 | 7 | 6 | 5 | 4 | 3 | 2 | 1 | 0 |
|------------------|----|-------|----------|-------|-----------------------|----|----|----|----|----|----|----|----|----|----|----|----|----|----|----|----|----|---|---|---|---|---|---|---|---|---|---|
| Id               | A  | A     | A        | A     | A                     | A  | A  | A  | A  | A  | A  | A  | A  | A  | A  | A  | A  | A  | A  | A  | A  | A  | A | A | A | A | A | A | A | A | A |   |
| Reset 0xFFFFFFFF | 1  | 1     | 1        | 1     | 1                     | 1  | 1  | 1  | 1  | 1  | 1  | 1  | 1  | 1  | 1  | 1  | 1  | 1  | 1  | 1  | 1  | 1  | 1 | 1 | 1 | 1 | 1 | 1 | 1 | 1 | 1 |   |
| Id               | RW | Field | Value Id | Value | Description           |    |    |    |    |    |    |    |    |    |    |    |    |    |    |    |    |    |   |   |   |   |   |   |   |   |   |   |
| A                | R  | IR    |          |       | Identity Root, word n |    |    |    |    |    |    |    |    |    |    |    |    |    |    |    |    |    |   |   |   |   |   |   |   |   |   |   |

### 13.1.12 IR[3]

Address offset: 0x09C

Identity Root, word 3

| Bit number       | 31 | 30    | 29       | 28    | 27                    | 26 | 25 | 24 | 23 | 22 | 21 | 20 | 19 | 18 | 17 | 16 | 15 | 14 | 13 | 12 | 11 | 10 | 9 | 8 | 7 | 6 | 5 | 4 | 3 | 2 | 1 | 0 |
|------------------|----|-------|----------|-------|-----------------------|----|----|----|----|----|----|----|----|----|----|----|----|----|----|----|----|----|---|---|---|---|---|---|---|---|---|---|
| Id               | A  | A     | A        | A     | A                     | A  | A  | A  | A  | A  | A  | A  | A  | A  | A  | A  | A  | A  | A  | A  | A  | A  | A | A | A | A | A | A | A | A | A |   |
| Reset 0xFFFFFFFF | 1  | 1     | 1        | 1     | 1                     | 1  | 1  | 1  | 1  | 1  | 1  | 1  | 1  | 1  | 1  | 1  | 1  | 1  | 1  | 1  | 1  | 1  | 1 | 1 | 1 | 1 | 1 | 1 | 1 | 1 | 1 |   |
| Id               | RW | Field | Value Id | Value | Description           |    |    |    |    |    |    |    |    |    |    |    |    |    |    |    |    |    |   |   |   |   |   |   |   |   |   |   |
| A                | R  | IR    |          |       | Identity Root, word n |    |    |    |    |    |    |    |    |    |    |    |    |    |    |    |    |    |   |   |   |   |   |   |   |   |   |   |

### 13.1.13 DEVICEADDRTYPE

Address offset: 0x0A0

Device address type

| Bit number       | 31 | 30             | 29       | 28    | 27                  | 26 | 25 | 24 | 23 | 22 | 21 | 20 | 19 | 18 | 17 | 16 | 15 | 14 | 13 | 12 | 11 | 10 | 9 | 8 | 7 | 6 | 5 | 4 | 3 | 2 | 1 | 0 |
|------------------|----|----------------|----------|-------|---------------------|----|----|----|----|----|----|----|----|----|----|----|----|----|----|----|----|----|---|---|---|---|---|---|---|---|---|---|
| Id               |    |                |          |       |                     |    |    |    |    |    |    |    |    |    |    |    |    |    |    |    |    |    |   |   |   |   |   |   |   |   |   | A |
| Reset 0xFFFFFFFF | 1  | 1              | 1        | 1     | 1                   | 1  | 1  | 1  | 1  | 1  | 1  | 1  | 1  | 1  | 1  | 1  | 1  | 1  | 1  | 1  | 1  | 1  | 1 | 1 | 1 | 1 | 1 | 1 | 1 | 1 | 1 |   |
| Id               | RW | Field          | Value Id | Value | Description         |    |    |    |    |    |    |    |    |    |    |    |    |    |    |    |    |    |   |   |   |   |   |   |   |   |   |   |
| A                | R  | DEVICEADDRTYPE |          |       | Device address type |    |    |    |    |    |    |    |    |    |    |    |    |    |    |    |    |    |   |   |   |   |   |   |   |   |   |   |
|                  |    |                | Public   | 0     | Public address      |    |    |    |    |    |    |    |    |    |    |    |    |    |    |    |    |    |   |   |   |   |   |   |   |   |   |   |
|                  |    |                | Random   | 1     | Random address      |    |    |    |    |    |    |    |    |    |    |    |    |    |    |    |    |    |   |   |   |   |   |   |   |   |   |   |

### 13.1.14 DEVICEADDR[0]

Address offset: 0x0A4

Device address 0

|                  |    |    |    |    |    |    |    |    |    |    |    |    |    |    |    |    |    |    |    |    |    |    |   |   |   |   |   |   |   |   |   |   |   |
|------------------|----|----|----|----|----|----|----|----|----|----|----|----|----|----|----|----|----|----|----|----|----|----|---|---|---|---|---|---|---|---|---|---|---|
| Bit number       | 31 | 30 | 29 | 28 | 27 | 26 | 25 | 24 | 23 | 22 | 21 | 20 | 19 | 18 | 17 | 16 | 15 | 14 | 13 | 12 | 11 | 10 | 9 | 8 | 7 | 6 | 5 | 4 | 3 | 2 | 1 | 0 |   |
| Id               | A  | A  | A  | A  | A  | A  | A  | A  | A  | A  | A  | A  | A  | A  | A  | A  | A  | A  | A  | A  | A  | A  | A | A | A | A | A | A | A | A | A | A | A |
| Reset 0xFFFFFFFF | 1  | 1  | 1  | 1  | 1  | 1  | 1  | 1  | 1  | 1  | 1  | 1  | 1  | 1  | 1  | 1  | 1  | 1  | 1  | 1  | 1  | 1  | 1 | 1 | 1 | 1 | 1 | 1 | 1 | 1 | 1 | 1 |   |

| Id | RW | Field      | Value Id | Value | Description  |
|----|----|------------|----------|-------|--|
| A  | R  | DEVICEADDR |          |       | 48 bit device address  |
|    |    |            |          |       | DEVICEADDR[0] contains the least significant bits of the device address. DEVICEADDR[1] contains the most significant bits of the device address. Only bits [15:0] of DEVICEADDR[1] are used. |

### 13.1.15 DEVICEADDR[1]

Address offset: 0x0A8

Device address 1

|                  |    |    |    |    |    |    |    |    |    |    |    |    |    |    |    |    |    |    |    |    |    |    |   |   |   |   |   |   |   |   |   |   |
|------------------|----|----|----|----|----|----|----|----|----|----|----|----|----|----|----|----|----|----|----|----|----|----|---|---|---|---|---|---|---|---|---|---|
| Bit number       | 31 | 30 | 29 | 28 | 27 | 26 | 25 | 24 | 23 | 22 | 21 | 20 | 19 | 18 | 17 | 16 | 15 | 14 | 13 | 12 | 11 | 10 | 9 | 8 | 7 | 6 | 5 | 4 | 3 | 2 | 1 | 0 |
| Id               | A  | A  | A  | A  | A  | A  | A  | A  | A  | A  | A  | A  | A  | A  | A  | A  | A  | A  | A  | A  | A  | A  | A | A | A | A | A | A | A | A | A | A |
| Reset 0xFFFFFFFF | 1  | 1  | 1  | 1  | 1  | 1  | 1  | 1  | 1  | 1  | 1  | 1  | 1  | 1  | 1  | 1  | 1  | 1  | 1  | 1  | 1  | 1  | 1 | 1 | 1 | 1 | 1 | 1 | 1 | 1 | 1 | 1 |

| Id | RW | Field      | Value Id | Value | Description  |
|----|----|------------|----------|-------|--|
| A  | R  | DEVICEADDR |          |       | 48 bit device address  |
|    |    |            |          |       | DEVICEADDR[0] contains the least significant bits of the device address. DEVICEADDR[1] contains the most significant bits of the device address. Only bits [15:0] of DEVICEADDR[1] are used. |

### 13.1.16 INFO.PART

Address offset: 0x100

Part code

|                  |    |    |    |    |    |    |    |    |    |    |    |    |    |    |    |    |    |    |    |    |    |    |   |   |   |   |   |   |   |   |   |   |
|------------------|----|----|----|----|----|----|----|----|----|----|----|----|----|----|----|----|----|----|----|----|----|----|---|---|---|---|---|---|---|---|---|---|
| Bit number       | 31 | 30 | 29 | 28 | 27 | 26 | 25 | 24 | 23 | 22 | 21 | 20 | 19 | 18 | 17 | 16 | 15 | 14 | 13 | 12 | 11 | 10 | 9 | 8 | 7 | 6 | 5 | 4 | 3 | 2 | 1 | 0 |
| Id               | A  | A  | A  | A  | A  | A  | A  | A  | A  | A  | A  | A  | A  | A  | A  | A  | A  | A  | A  | A  | A  | A  | A | A | A | A | A | A | A | A | A | A |
| Reset 0x00052832 | 0  | 0  | 0  | 0  | 0  | 0  | 0  | 0  | 0  | 0  | 0  | 0  | 0  | 0  | 0  | 0  | 0  | 0  | 0  | 0  | 0  | 0  | 0 | 0 | 0 | 0 | 0 | 0 | 0 | 0 | 0 | 0 |

| Id | RW | Field | Value Id    | Value      | Description |
|----|----|-------|-------------|------------|-------------|
| A  | R  | PART  |             |            | Part code   |
|    |    |       | N52832      | 0x52832    | nRF52832    |
|    |    |       | Unspecified | 0xFFFFFFFF | Unspecified |

### 13.1.17 INFO.VARIANT

Address offset: 0x104

Part Variant, Hardware version and Production configuration

|                  |    |    |    |    |    |    |    |    |    |    |    |    |    |    |    |    |    |    |    |    |    |    |   |   |   |   |   |   |   |   |   |   |
|------------------|----|----|----|----|----|----|----|----|----|----|----|----|----|----|----|----|----|----|----|----|----|----|---|---|---|---|---|---|---|---|---|---|
| Bit number       | 31 | 30 | 29 | 28 | 27 | 26 | 25 | 24 | 23 | 22 | 21 | 20 | 19 | 18 | 17 | 16 | 15 | 14 | 13 | 12 | 11 | 10 | 9 | 8 | 7 | 6 | 5 | 4 | 3 | 2 | 1 | 0 |
| Id               | A  | A  | A  | A  | A  | A  | A  | A  | A  | A  | A  | A  | A  | A  | A  | A  | A  | A  | A  | A  | A  | A  | A | A | A | A | A | A | A | A | A | A |
| Reset 0x41414142 | 0  | 1  | 0  | 0  | 0  | 0  | 0  | 1  | 0  | 1  | 0  | 0  | 0  | 0  | 0  | 1  | 0  | 1  | 0  | 0  | 0  | 0  | 0 | 1 | 0 | 1 | 0 | 0 | 0 | 0 | 1 | 0 |

| Id | RW | Field   | Value Id    | Value      | Description   |
|----|----|---------|-------------|------------|---|
| A  | R  | VARIANT |             |            | Part Variant, Hardware version and Production configuration, encoded as ASCII |
|    |    |         | AAAA        | 0x41414141 | AAAA  |
|    |    |         | AAAB        | 0x41414142 | AAAB  |
|    |    |         | AABA        | 0x41414241 | AABA  |
|    |    |         | AABB        | 0x41414242 | AABB  |
|    |    |         | Unspecified | 0xFFFFFFFF | Unspecified   |

### 13.1.18 INFO.PACKAGE

Address offset: 0x108

Package option

| Bit number       | 31 | 30      | 29          | 28         | 27                        | 26 | 25 | 24 | 23 | 22 | 21 | 20 | 19 | 18 | 17 | 16 | 15 | 14 | 13 | 12 | 11 | 10 | 9 | 8 | 7 | 6 | 5 | 4 | 3 | 2 | 1 | 0 |
|------------------|----|---------|-------------|------------|---------------------------|----|----|----|----|----|----|----|----|----|----|----|----|----|----|----|----|----|---|---|---|---|---|---|---|---|---|---|
| Id               | A  | A       | A           | A          | A                         | A  | A  | A  | A  | A  | A  | A  | A  | A  | A  | A  | A  | A  | A  | A  | A  | A  | A | A | A | A | A | A | A | A | A | A |
| Reset 0x00002000 | 0  | 0       | 0           | 0          | 0                         | 0  | 0  | 0  | 0  | 0  | 0  | 0  | 0  | 0  | 0  | 0  | 0  | 0  | 0  | 0  | 0  | 0  | 0 | 0 | 0 | 0 | 0 | 0 | 0 | 0 | 0 | 0 |
| Id               | RW | Field   | Value Id    | Value      | Description               |    |    |    |    |    |    |    |    |    |    |    |    |    |    |    |    |    |   |   |   |   |   |   |   |   |   |   |
| A                | R  | PACKAGE |             |            | Package option            |    |    |    |    |    |    |    |    |    |    |    |    |    |    |    |    |    |   |   |   |   |   |   |   |   |   |   |
|                  |    |         | QF          | 0x2000     | QFxx - 48-pin QFN         |    |    |    |    |    |    |    |    |    |    |    |    |    |    |    |    |    |   |   |   |   |   |   |   |   |   |   |
|                  |    |         | CH          | 0x2001     | CHxx - 7x8 WLCSP 56 balls |    |    |    |    |    |    |    |    |    |    |    |    |    |    |    |    |    |   |   |   |   |   |   |   |   |   |   |
|                  |    |         | CI          | 0x2002     | CIxx - 7x8 WLCSP 56 balls |    |    |    |    |    |    |    |    |    |    |    |    |    |    |    |    |    |   |   |   |   |   |   |   |   |   |   |
|                  |    |         | Unspecified | 0xFFFFFFFF | Unspecified               |    |    |    |    |    |    |    |    |    |    |    |    |    |    |    |    |    |   |   |   |   |   |   |   |   |   |   |

### 13.1.19 INFO.RAM

Address offset: 0x10C

RAM variant

| Bit number       | 31 | 30    | 29          | 28         | 27           | 26 | 25 | 24 | 23 | 22 | 21 | 20 | 19 | 18 | 17 | 16 | 15 | 14 | 13 | 12 | 11 | 10 | 9 | 8 | 7 | 6 | 5 | 4 | 3 | 2 | 1 | 0 |
|------------------|----|-------|-------------|------------|--------------|----|----|----|----|----|----|----|----|----|----|----|----|----|----|----|----|----|---|---|---|---|---|---|---|---|---|---|
| Id               | A  | A     | A           | A          | A            | A  | A  | A  | A  | A  | A  | A  | A  | A  | A  | A  | A  | A  | A  | A  | A  | A  | A | A | A | A | A | A | A | A | A | A |
| Reset 0x00000040 | 0  | 0     | 0           | 0          | 0            | 0  | 0  | 0  | 0  | 0  | 0  | 0  | 0  | 0  | 0  | 0  | 0  | 0  | 0  | 0  | 0  | 0  | 0 | 0 | 0 | 0 | 0 | 0 | 0 | 0 | 0 | 0 |
| Id               | RW | Field | Value Id    | Value      | Description  |    |    |    |    |    |    |    |    |    |    |    |    |    |    |    |    |    |   |   |   |   |   |   |   |   |   |   |
| A                | R  | RAM   |             |            | RAM variant  |    |    |    |    |    |    |    |    |    |    |    |    |    |    |    |    |    |   |   |   |   |   |   |   |   |   |   |
|                  |    |       | K16         | 0x10       | 16 kByte RAM |    |    |    |    |    |    |    |    |    |    |    |    |    |    |    |    |    |   |   |   |   |   |   |   |   |   |   |
|                  |    |       | K32         | 0x20       | 32 kByte RAM |    |    |    |    |    |    |    |    |    |    |    |    |    |    |    |    |    |   |   |   |   |   |   |   |   |   |   |
|                  |    |       | K64         | 0x40       | 64 kByte RAM |    |    |    |    |    |    |    |    |    |    |    |    |    |    |    |    |    |   |   |   |   |   |   |   |   |   |   |
|                  |    |       | Unspecified | 0xFFFFFFFF | Unspecified  |    |    |    |    |    |    |    |    |    |    |    |    |    |    |    |    |    |   |   |   |   |   |   |   |   |   |   |

### 13.1.20 INFO.FLASH

Address offset: 0x110

Flash variant

| Bit number       | 31 | 30    | 29          | 28         | 27              | 26 | 25 | 24 | 23 | 22 | 21 | 20 | 19 | 18 | 17 | 16 | 15 | 14 | 13 | 12 | 11 | 10 | 9 | 8 | 7 | 6 | 5 | 4 | 3 | 2 | 1 | 0 |
|------------------|----|-------|-------------|------------|-----------------|----|----|----|----|----|----|----|----|----|----|----|----|----|----|----|----|----|---|---|---|---|---|---|---|---|---|---|
| Id               | A  | A     | A           | A          | A               | A  | A  | A  | A  | A  | A  | A  | A  | A  | A  | A  | A  | A  | A  | A  | A  | A  | A | A | A | A | A | A | A | A | A | A |
| Reset 0x00000200 | 0  | 0     | 0           | 0          | 0               | 0  | 0  | 0  | 0  | 0  | 0  | 0  | 0  | 0  | 0  | 0  | 0  | 0  | 0  | 0  | 0  | 0  | 0 | 0 | 0 | 0 | 0 | 0 | 0 | 0 | 0 | 0 |
| Id               | RW | Field | Value Id    | Value      | Description     |    |    |    |    |    |    |    |    |    |    |    |    |    |    |    |    |    |   |   |   |   |   |   |   |   |   |   |
| A                | R  | FLASH |             |            | Flash variant   |    |    |    |    |    |    |    |    |    |    |    |    |    |    |    |    |    |   |   |   |   |   |   |   |   |   |   |
|                  |    |       | K128        | 0x80       | 128 kByte FLASH |    |    |    |    |    |    |    |    |    |    |    |    |    |    |    |    |    |   |   |   |   |   |   |   |   |   |   |
|                  |    |       | K256        | 0x100      | 256 kByte FLASH |    |    |    |    |    |    |    |    |    |    |    |    |    |    |    |    |    |   |   |   |   |   |   |   |   |   |   |
|                  |    |       | K512        | 0x200      | 512 kByte FLASH |    |    |    |    |    |    |    |    |    |    |    |    |    |    |    |    |    |   |   |   |   |   |   |   |   |   |   |
|                  |    |       | Unspecified | 0xFFFFFFFF | Unspecified     |    |    |    |    |    |    |    |    |    |    |    |    |    |    |    |    |    |   |   |   |   |   |   |   |   |   |   |

### 13.1.21 TEMP.A0

Address offset: 0x404

Slope definition A0.

| Bit number       | 31 | 30    | 29       | 28    | 27                             | 26 | 25 | 24 | 23 | 22 | 21 | 20 | 19 | 18 | 17 | 16 | 15 | 14 | 13 | 12 | 11 | 10 | 9 | 8 | 7 | 6 | 5 | 4 | 3 | 2 | 1 | 0 |   |
|------------------|----|-------|----------|-------|--------------------------------|----|----|----|----|----|----|----|----|----|----|----|----|----|----|----|----|----|---|---|---|---|---|---|---|---|---|---|---|
| Id               |    |       |          |       |                                |    |    |    |    |    |    |    |    |    |    |    |    |    |    |    |    |    |   | A | A | A | A | A | A | A | A | A |   |
| Reset 0x00000320 | 0  | 0     | 0        | 0     | 0                              | 0  | 0  | 0  | 0  | 0  | 0  | 0  | 0  | 0  | 0  | 0  | 0  | 0  | 0  | 0  | 0  | 0  | 0 | 0 | 1 | 1 | 0 | 0 | 1 | 0 | 0 | 0 | 0 |
| Id               | RW | Field | Value Id | Value | Description                    |    |    |    |    |    |    |    |    |    |    |    |    |    |    |    |    |    |   |   |   |   |   |   |   |   |   |   |   |
| A                | R  | A     |          |       | A (slope definition) register. |    |    |    |    |    |    |    |    |    |    |    |    |    |    |    |    |    |   |   |   |   |   |   |   |   |   |   |   |

### 13.1.22 TEMP.A1

Address offset: 0x408

Slope definition A1.



|                  |           |              |                 |              |                                |    |    |    |    |    |    |    |    |    |    |    |    |    |    |    |    |    |   |   |   |   |   |   |   |   |   |   |   |   |   |   |   |   |   |   |   |   |   |   |   |   |   |   |   |   |   |   |   |
|------------------|-----------|--------------|-----------------|--------------|--------------------------------|----|----|----|----|----|----|----|----|----|----|----|----|----|----|----|----|----|---|---|---|---|---|---|---|---|---|---|---|---|---|---|---|---|---|---|---|---|---|---|---|---|---|---|---|---|---|---|---|
| Bit number       | 31        | 30           | 29              | 28           | 27                             | 26 | 25 | 24 | 23 | 22 | 21 | 20 | 19 | 18 | 17 | 16 | 15 | 14 | 13 | 12 | 11 | 10 | 9 | 8 | 7 | 6 | 5 | 4 | 3 | 2 | 1 | 0 |   |   |   |   |   |   |   |   |   |   |   |   |   |   |   |   |   |   |   |   |   |
| Id               |           |              |                 |              |                                |    |    |    |    |    |    |    |    |    |    |    |    |    |    |    |    |    | A | A | A | A | A | A | A | A | A | A | A | A | A | A | A | A | A | A | A | A | A | A | A | A | A | A | A | A | A | A | A |
| Reset 0x00000343 | 0         | 0            | 0               | 0            | 0                              | 0  | 0  | 0  | 0  | 0  | 0  | 0  | 0  | 0  | 0  | 0  | 0  | 0  | 0  | 0  | 0  | 0  | 0 | 0 | 1 | 1 | 0 | 1 | 0 | 0 | 0 | 0 | 1 | 1 |   |   |   |   |   |   |   |   |   |   |   |   |   |   |   |   |   |   |   |
| <b>Id</b>        | <b>RW</b> | <b>Field</b> | <b>Value Id</b> | <b>Value</b> | <b>Description</b>             |    |    |    |    |    |    |    |    |    |    |    |    |    |    |    |    |    |   |   |   |   |   |   |   |   |   |   |   |   |   |   |   |   |   |   |   |   |   |   |   |   |   |   |   |   |   |   |   |
| A                | R         | A            |                 |              | A (slope definition) register. |    |    |    |    |    |    |    |    |    |    |    |    |    |    |    |    |    |   |   |   |   |   |   |   |   |   |   |   |   |   |   |   |   |   |   |   |   |   |   |   |   |   |   |   |   |   |   |   |

### 13.1.23 TEMP.A2

Address offset: 0x40C

Slope definition A2.

|                  |           |              |                 |              |                                |    |    |    |    |    |    |    |    |    |    |    |    |    |    |    |    |    |   |   |   |   |   |   |   |   |   |   |   |   |   |   |   |   |   |   |   |   |   |   |   |   |   |   |   |   |   |   |
|------------------|-----------|--------------|-----------------|--------------|--------------------------------|----|----|----|----|----|----|----|----|----|----|----|----|----|----|----|----|----|---|---|---|---|---|---|---|---|---|---|---|---|---|---|---|---|---|---|---|---|---|---|---|---|---|---|---|---|---|---|
| Bit number       | 31        | 30           | 29              | 28           | 27                             | 26 | 25 | 24 | 23 | 22 | 21 | 20 | 19 | 18 | 17 | 16 | 15 | 14 | 13 | 12 | 11 | 10 | 9 | 8 | 7 | 6 | 5 | 4 | 3 | 2 | 1 | 0 |   |   |   |   |   |   |   |   |   |   |   |   |   |   |   |   |   |   |   |   |
| Id               |           |              |                 |              |                                |    |    |    |    |    |    |    |    |    |    |    |    |    |    |    |    |    | A | A | A | A | A | A | A | A | A | A | A | A | A | A | A | A | A | A | A | A | A | A | A | A | A | A | A | A | A | A |
| Reset 0x0000035D | 0         | 0            | 0               | 0            | 0                              | 0  | 0  | 0  | 0  | 0  | 0  | 0  | 0  | 0  | 0  | 0  | 0  | 0  | 0  | 0  | 0  | 0  | 0 | 0 | 1 | 1 | 0 | 1 | 0 | 1 | 1 | 1 | 0 | 1 |   |   |   |   |   |   |   |   |   |   |   |   |   |   |   |   |   |   |
| <b>Id</b>        | <b>RW</b> | <b>Field</b> | <b>Value Id</b> | <b>Value</b> | <b>Description</b>             |    |    |    |    |    |    |    |    |    |    |    |    |    |    |    |    |    |   |   |   |   |   |   |   |   |   |   |   |   |   |   |   |   |   |   |   |   |   |   |   |   |   |   |   |   |   |   |
| A                | R         | A            |                 |              | A (slope definition) register. |    |    |    |    |    |    |    |    |    |    |    |    |    |    |    |    |    |   |   |   |   |   |   |   |   |   |   |   |   |   |   |   |   |   |   |   |   |   |   |   |   |   |   |   |   |   |   |

### 13.1.24 TEMP.A3

Address offset: 0x410

Slope definition A3.

|                  |           |              |                 |              |                                |    |    |    |    |    |    |    |    |    |    |    |    |    |    |    |    |    |   |   |   |   |   |   |   |   |   |   |   |   |   |   |   |   |   |   |   |   |   |   |   |   |   |   |   |   |   |   |
|------------------|-----------|--------------|-----------------|--------------|--------------------------------|----|----|----|----|----|----|----|----|----|----|----|----|----|----|----|----|----|---|---|---|---|---|---|---|---|---|---|---|---|---|---|---|---|---|---|---|---|---|---|---|---|---|---|---|---|---|---|
| Bit number       | 31        | 30           | 29              | 28           | 27                             | 26 | 25 | 24 | 23 | 22 | 21 | 20 | 19 | 18 | 17 | 16 | 15 | 14 | 13 | 12 | 11 | 10 | 9 | 8 | 7 | 6 | 5 | 4 | 3 | 2 | 1 | 0 |   |   |   |   |   |   |   |   |   |   |   |   |   |   |   |   |   |   |   |   |
| Id               |           |              |                 |              |                                |    |    |    |    |    |    |    |    |    |    |    |    |    |    |    |    |    | A | A | A | A | A | A | A | A | A | A | A | A | A | A | A | A | A | A | A | A | A | A | A | A | A | A | A | A | A | A |
| Reset 0x00000400 | 0         | 0            | 0               | 0            | 0                              | 0  | 0  | 0  | 0  | 0  | 0  | 0  | 0  | 0  | 0  | 0  | 0  | 0  | 0  | 0  | 0  | 0  | 0 | 1 | 0 | 0 | 0 | 0 | 0 | 0 | 0 | 0 | 0 | 0 |   |   |   |   |   |   |   |   |   |   |   |   |   |   |   |   |   |   |
| <b>Id</b>        | <b>RW</b> | <b>Field</b> | <b>Value Id</b> | <b>Value</b> | <b>Description</b>             |    |    |    |    |    |    |    |    |    |    |    |    |    |    |    |    |    |   |   |   |   |   |   |   |   |   |   |   |   |   |   |   |   |   |   |   |   |   |   |   |   |   |   |   |   |   |   |
| A                | R         | A            |                 |              | A (slope definition) register. |    |    |    |    |    |    |    |    |    |    |    |    |    |    |    |    |    |   |   |   |   |   |   |   |   |   |   |   |   |   |   |   |   |   |   |   |   |   |   |   |   |   |   |   |   |   |   |

### 13.1.25 TEMP.A4

Address offset: 0x414

Slope definition A4.

|                  |           |              |                 |              |                                |    |    |    |    |    |    |    |    |    |    |    |    |    |    |    |    |    |   |   |   |   |   |   |   |   |   |   |   |   |   |   |   |   |   |   |   |   |   |   |   |   |   |   |   |   |   |   |
|------------------|-----------|--------------|-----------------|--------------|--------------------------------|----|----|----|----|----|----|----|----|----|----|----|----|----|----|----|----|----|---|---|---|---|---|---|---|---|---|---|---|---|---|---|---|---|---|---|---|---|---|---|---|---|---|---|---|---|---|---|
| Bit number       | 31        | 30           | 29              | 28           | 27                             | 26 | 25 | 24 | 23 | 22 | 21 | 20 | 19 | 18 | 17 | 16 | 15 | 14 | 13 | 12 | 11 | 10 | 9 | 8 | 7 | 6 | 5 | 4 | 3 | 2 | 1 | 0 |   |   |   |   |   |   |   |   |   |   |   |   |   |   |   |   |   |   |   |   |
| Id               |           |              |                 |              |                                |    |    |    |    |    |    |    |    |    |    |    |    |    |    |    |    |    | A | A | A | A | A | A | A | A | A | A | A | A | A | A | A | A | A | A | A | A | A | A | A | A | A | A | A | A | A | A |
| Reset 0x00000452 | 0         | 0            | 0               | 0            | 0                              | 0  | 0  | 0  | 0  | 0  | 0  | 0  | 0  | 0  | 0  | 0  | 0  | 0  | 0  | 0  | 0  | 0  | 0 | 1 | 0 | 0 | 0 | 1 | 0 | 1 | 0 | 0 | 1 | 0 |   |   |   |   |   |   |   |   |   |   |   |   |   |   |   |   |   |   |
| <b>Id</b>        | <b>RW</b> | <b>Field</b> | <b>Value Id</b> | <b>Value</b> | <b>Description</b>             |    |    |    |    |    |    |    |    |    |    |    |    |    |    |    |    |    |   |   |   |   |   |   |   |   |   |   |   |   |   |   |   |   |   |   |   |   |   |   |   |   |   |   |   |   |   |   |
| A                | R         | A            |                 |              | A (slope definition) register. |    |    |    |    |    |    |    |    |    |    |    |    |    |    |    |    |    |   |   |   |   |   |   |   |   |   |   |   |   |   |   |   |   |   |   |   |   |   |   |   |   |   |   |   |   |   |   |

### 13.1.26 TEMP.A5

Address offset: 0x418

Slope definition A5.

|                  |           |              |                 |              |                                |    |    |    |    |    |    |    |    |    |    |    |    |    |    |    |    |    |   |   |   |   |   |   |   |   |   |   |   |   |   |   |   |   |   |   |   |   |   |   |   |   |   |   |   |   |   |   |
|------------------|-----------|--------------|-----------------|--------------|--------------------------------|----|----|----|----|----|----|----|----|----|----|----|----|----|----|----|----|----|---|---|---|---|---|---|---|---|---|---|---|---|---|---|---|---|---|---|---|---|---|---|---|---|---|---|---|---|---|---|
| Bit number       | 31        | 30           | 29              | 28           | 27                             | 26 | 25 | 24 | 23 | 22 | 21 | 20 | 19 | 18 | 17 | 16 | 15 | 14 | 13 | 12 | 11 | 10 | 9 | 8 | 7 | 6 | 5 | 4 | 3 | 2 | 1 | 0 |   |   |   |   |   |   |   |   |   |   |   |   |   |   |   |   |   |   |   |   |
| Id               |           |              |                 |              |                                |    |    |    |    |    |    |    |    |    |    |    |    |    |    |    |    |    | A | A | A | A | A | A | A | A | A | A | A | A | A | A | A | A | A | A | A | A | A | A | A | A | A | A | A | A | A | A |
| Reset 0x0000037B | 0         | 0            | 0               | 0            | 0                              | 0  | 0  | 0  | 0  | 0  | 0  | 0  | 0  | 0  | 0  | 0  | 0  | 0  | 0  | 0  | 0  | 0  | 0 | 1 | 1 | 0 | 1 | 1 | 1 | 1 | 0 | 1 | 1 |   |   |   |   |   |   |   |   |   |   |   |   |   |   |   |   |   |   |   |
| <b>Id</b>        | <b>RW</b> | <b>Field</b> | <b>Value Id</b> | <b>Value</b> | <b>Description</b>             |    |    |    |    |    |    |    |    |    |    |    |    |    |    |    |    |    |   |   |   |   |   |   |   |   |   |   |   |   |   |   |   |   |   |   |   |   |   |   |   |   |   |   |   |   |   |   |
| A                | R         | A            |                 |              | A (slope definition) register. |    |    |    |    |    |    |    |    |    |    |    |    |    |    |    |    |    |   |   |   |   |   |   |   |   |   |   |   |   |   |   |   |   |   |   |   |   |   |   |   |   |   |   |   |   |   |   |

### 13.1.27 TEMP.B0

Address offset: 0x41C

y-intercept B0.

|                  |           |              |    |    |                 |    |    |              |    |    |                    |    |    |    |    |    |    |    |    |    |    |    |   |   |   |   |   |   |   |   |   |   |   |   |   |   |   |   |   |   |   |   |   |   |   |   |   |   |   |   |
|------------------|-----------|--------------|----|----|-----------------|----|----|--------------|----|----|--------------------|----|----|----|----|----|----|----|----|----|----|----|---|---|---|---|---|---|---|---|---|---|---|---|---|---|---|---|---|---|---|---|---|---|---|---|---|---|---|---|
| Bit number       | 31        | 30           | 29 | 28 | 27              | 26 | 25 | 24           | 23 | 22 | 21                 | 20 | 19 | 18 | 17 | 16 | 15 | 14 | 13 | 12 | 11 | 10 | 9 | 8 | 7 | 6 | 5 | 4 | 3 | 2 | 1 | 0 |   |   |   |   |   |   |   |   |   |   |   |   |   |   |   |   |   |   |
| Id               |           |              |    |    |                 |    |    |              |    |    |                    |    |    |    |    |    |    |    |    |    | A  | A  | A | A | A | A | A | A | A | A | A | A | A | A | A | A | A | A | A | A | A | A | A | A | A | A | A | A | A | A |
| Reset 0x00003FCC | 0         | 0            | 0  | 0  | 0               | 0  | 0  | 0            | 0  | 0  | 0                  | 0  | 0  | 0  | 0  | 0  | 0  | 0  | 0  | 0  | 1  | 1  | 1 | 1 | 1 | 1 | 1 | 1 | 0 | 0 | 1 | 1 | 0 | 0 |   |   |   |   |   |   |   |   |   |   |   |   |   |   |   |   |
| <b>Id</b>        | <b>RW</b> | <b>Field</b> |    |    | <b>Value Id</b> |    |    | <b>Value</b> |    |    | <b>Description</b> |    |    |    |    |    |    |    |    |    |    |    |   |   |   |   |   |   |   |   |   |   |   |   |   |   |   |   |   |   |   |   |   |   |   |   |   |   |   |   |
| A                | R         | B            |    |    |                 |    |    |              |    |    | B (y-intercept)    |    |    |    |    |    |    |    |    |    |    |    |   |   |   |   |   |   |   |   |   |   |   |   |   |   |   |   |   |   |   |   |   |   |   |   |   |   |   |   |

### 13.1.28 TEMP.B1

Address offset: 0x420

y-intercept B1.

|                  |           |              |    |    |                 |    |    |              |    |    |                    |    |    |    |    |    |    |    |    |    |    |    |   |   |   |   |   |   |   |   |   |   |   |   |   |   |   |   |   |   |   |   |   |   |   |   |   |   |   |   |
|------------------|-----------|--------------|----|----|-----------------|----|----|--------------|----|----|--------------------|----|----|----|----|----|----|----|----|----|----|----|---|---|---|---|---|---|---|---|---|---|---|---|---|---|---|---|---|---|---|---|---|---|---|---|---|---|---|---|
| Bit number       | 31        | 30           | 29 | 28 | 27              | 26 | 25 | 24           | 23 | 22 | 21                 | 20 | 19 | 18 | 17 | 16 | 15 | 14 | 13 | 12 | 11 | 10 | 9 | 8 | 7 | 6 | 5 | 4 | 3 | 2 | 1 | 0 |   |   |   |   |   |   |   |   |   |   |   |   |   |   |   |   |   |   |
| Id               |           |              |    |    |                 |    |    |              |    |    |                    |    |    |    |    |    |    |    |    |    | A  | A  | A | A | A | A | A | A | A | A | A | A | A | A | A | A | A | A | A | A | A | A | A | A | A | A | A | A | A | A |
| Reset 0x00003F98 | 0         | 0            | 0  | 0  | 0               | 0  | 0  | 0            | 0  | 0  | 0                  | 0  | 0  | 0  | 0  | 0  | 0  | 0  | 0  | 0  | 1  | 1  | 1 | 1 | 1 | 1 | 0 | 0 | 1 | 1 | 0 | 0 | 0 |   |   |   |   |   |   |   |   |   |   |   |   |   |   |   |   |   |
| <b>Id</b>        | <b>RW</b> | <b>Field</b> |    |    | <b>Value Id</b> |    |    | <b>Value</b> |    |    | <b>Description</b> |    |    |    |    |    |    |    |    |    |    |    |   |   |   |   |   |   |   |   |   |   |   |   |   |   |   |   |   |   |   |   |   |   |   |   |   |   |   |   |
| A                | R         | B            |    |    |                 |    |    |              |    |    | B (y-intercept)    |    |    |    |    |    |    |    |    |    |    |    |   |   |   |   |   |   |   |   |   |   |   |   |   |   |   |   |   |   |   |   |   |   |   |   |   |   |   |   |

### 13.1.29 TEMP.B2

Address offset: 0x424

y-intercept B2.

|                  |           |              |    |    |                 |    |    |              |    |    |                    |    |    |    |    |    |    |    |    |    |    |    |   |   |   |   |   |   |   |   |   |   |   |   |   |   |   |   |   |   |   |   |   |   |   |   |   |   |   |   |
|------------------|-----------|--------------|----|----|-----------------|----|----|--------------|----|----|--------------------|----|----|----|----|----|----|----|----|----|----|----|---|---|---|---|---|---|---|---|---|---|---|---|---|---|---|---|---|---|---|---|---|---|---|---|---|---|---|---|
| Bit number       | 31        | 30           | 29 | 28 | 27              | 26 | 25 | 24           | 23 | 22 | 21                 | 20 | 19 | 18 | 17 | 16 | 15 | 14 | 13 | 12 | 11 | 10 | 9 | 8 | 7 | 6 | 5 | 4 | 3 | 2 | 1 | 0 |   |   |   |   |   |   |   |   |   |   |   |   |   |   |   |   |   |   |
| Id               |           |              |    |    |                 |    |    |              |    |    |                    |    |    |    |    |    |    |    |    |    | A  | A  | A | A | A | A | A | A | A | A | A | A | A | A | A | A | A | A | A | A | A | A | A | A | A | A | A | A | A | A |
| Reset 0x00003F98 | 0         | 0            | 0  | 0  | 0               | 0  | 0  | 0            | 0  | 0  | 0                  | 0  | 0  | 0  | 0  | 0  | 0  | 0  | 0  | 0  | 1  | 1  | 1 | 1 | 1 | 1 | 0 | 0 | 1 | 1 | 0 | 0 | 0 |   |   |   |   |   |   |   |   |   |   |   |   |   |   |   |   |   |
| <b>Id</b>        | <b>RW</b> | <b>Field</b> |    |    | <b>Value Id</b> |    |    | <b>Value</b> |    |    | <b>Description</b> |    |    |    |    |    |    |    |    |    |    |    |   |   |   |   |   |   |   |   |   |   |   |   |   |   |   |   |   |   |   |   |   |   |   |   |   |   |   |   |
| A                | R         | B            |    |    |                 |    |    |              |    |    | B (y-intercept)    |    |    |    |    |    |    |    |    |    |    |    |   |   |   |   |   |   |   |   |   |   |   |   |   |   |   |   |   |   |   |   |   |   |   |   |   |   |   |   |

### 13.1.30 TEMP.B3

Address offset: 0x428

y-intercept B3.

|                  |           |              |    |    |                 |    |    |              |    |    |                    |    |    |    |    |    |    |    |    |    |    |    |   |   |   |   |   |   |   |   |   |   |   |   |   |   |   |   |   |   |   |   |   |   |   |   |   |   |   |   |
|------------------|-----------|--------------|----|----|-----------------|----|----|--------------|----|----|--------------------|----|----|----|----|----|----|----|----|----|----|----|---|---|---|---|---|---|---|---|---|---|---|---|---|---|---|---|---|---|---|---|---|---|---|---|---|---|---|---|
| Bit number       | 31        | 30           | 29 | 28 | 27              | 26 | 25 | 24           | 23 | 22 | 21                 | 20 | 19 | 18 | 17 | 16 | 15 | 14 | 13 | 12 | 11 | 10 | 9 | 8 | 7 | 6 | 5 | 4 | 3 | 2 | 1 | 0 |   |   |   |   |   |   |   |   |   |   |   |   |   |   |   |   |   |   |
| Id               |           |              |    |    |                 |    |    |              |    |    |                    |    |    |    |    |    |    |    |    |    | A  | A  | A | A | A | A | A | A | A | A | A | A | A | A | A | A | A | A | A | A | A | A | A | A | A | A | A | A | A | A |
| Reset 0x00000012 | 0         | 0            | 0  | 0  | 0               | 0  | 0  | 0            | 0  | 0  | 0                  | 0  | 0  | 0  | 0  | 0  | 0  | 0  | 0  | 0  | 0  | 0  | 0 | 0 | 0 | 0 | 0 | 0 | 0 | 0 | 0 | 1 | 0 | 0 | 1 | 0 |   |   |   |   |   |   |   |   |   |   |   |   |   |   |
| <b>Id</b>        | <b>RW</b> | <b>Field</b> |    |    | <b>Value Id</b> |    |    | <b>Value</b> |    |    | <b>Description</b> |    |    |    |    |    |    |    |    |    |    |    |   |   |   |   |   |   |   |   |   |   |   |   |   |   |   |   |   |   |   |   |   |   |   |   |   |   |   |   |
| A                | R         | B            |    |    |                 |    |    |              |    |    | B (y-intercept)    |    |    |    |    |    |    |    |    |    |    |    |   |   |   |   |   |   |   |   |   |   |   |   |   |   |   |   |   |   |   |   |   |   |   |   |   |   |   |   |

### 13.1.31 TEMP.B4

Address offset: 0x42C

y-intercept B4.

|                  |           |              |    |    |                 |    |    |              |    |    |                    |    |    |    |    |    |    |    |    |    |    |    |   |   |   |   |   |   |   |   |   |   |   |   |   |   |   |   |   |   |   |   |   |   |   |   |   |   |   |   |   |
|------------------|-----------|--------------|----|----|-----------------|----|----|--------------|----|----|--------------------|----|----|----|----|----|----|----|----|----|----|----|---|---|---|---|---|---|---|---|---|---|---|---|---|---|---|---|---|---|---|---|---|---|---|---|---|---|---|---|---|
| Bit number       | 31        | 30           | 29 | 28 | 27              | 26 | 25 | 24           | 23 | 22 | 21                 | 20 | 19 | 18 | 17 | 16 | 15 | 14 | 13 | 12 | 11 | 10 | 9 | 8 | 7 | 6 | 5 | 4 | 3 | 2 | 1 | 0 |   |   |   |   |   |   |   |   |   |   |   |   |   |   |   |   |   |   |   |
| Id               |           |              |    |    |                 |    |    |              |    |    |                    |    |    |    |    |    |    |    |    |    | A  | A  | A | A | A | A | A | A | A | A | A | A | A | A | A | A | A | A | A | A | A | A | A | A | A | A | A | A | A | A | A |
| Reset 0x0000004D | 0         | 0            | 0  | 0  | 0               | 0  | 0  | 0            | 0  | 0  | 0                  | 0  | 0  | 0  | 0  | 0  | 0  | 0  | 0  | 0  | 0  | 0  | 0 | 0 | 0 | 0 | 0 | 0 | 0 | 0 | 0 | 1 | 0 | 0 | 1 | 1 | 0 | 1 |   |   |   |   |   |   |   |   |   |   |   |   |   |
| <b>Id</b>        | <b>RW</b> | <b>Field</b> |    |    | <b>Value Id</b> |    |    | <b>Value</b> |    |    | <b>Description</b> |    |    |    |    |    |    |    |    |    |    |    |   |   |   |   |   |   |   |   |   |   |   |   |   |   |   |   |   |   |   |   |   |   |   |   |   |   |   |   |   |
| A                | R         | B            |    |    |                 |    |    |              |    |    | B (y-intercept)    |    |    |    |    |    |    |    |    |    |    |    |   |   |   |   |   |   |   |   |   |   |   |   |   |   |   |   |   |   |   |   |   |   |   |   |   |   |   |   |   |

### 13.1.32 TEMP.B5

Address offset: 0x430

y-intercept B5.

|                  |                                     |              |                 |              |                    |    |    |    |    |    |    |    |    |    |    |    |    |    |    |    |    |    |   |   |   |   |   |   |   |   |   |   |   |
|------------------|-------------------------------------|--------------|-----------------|--------------|--------------------|----|----|----|----|----|----|----|----|----|----|----|----|----|----|----|----|----|---|---|---|---|---|---|---|---|---|---|---|
| Bit number       | 31                                  | 30           | 29              | 28           | 27                 | 26 | 25 | 24 | 23 | 22 | 21 | 20 | 19 | 18 | 17 | 16 | 15 | 14 | 13 | 12 | 11 | 10 | 9 | 8 | 7 | 6 | 5 | 4 | 3 | 2 | 1 | 0 |   |
| Id               | A A A A A A A A A A A A A A A A A A |              |                 |              |                    |    |    |    |    |    |    |    |    |    |    |    |    |    |    |    |    |    |   |   |   |   |   |   |   |   |   |   |   |
| Reset 0x00003E10 | 0                                   | 0            | 0               | 0            | 0                  | 0  | 0  | 0  | 0  | 0  | 0  | 0  | 0  | 0  | 0  | 0  | 0  | 0  | 0  | 1  | 1  | 1  | 1 | 1 | 0 | 0 | 0 | 0 | 1 | 0 | 0 | 0 | 0 |
| <b>Id</b>        | <b>RW</b>                           | <b>Field</b> | <b>Value Id</b> | <b>Value</b> | <b>Description</b> |    |    |    |    |    |    |    |    |    |    |    |    |    |    |    |    |    |   |   |   |   |   |   |   |   |   |   |   |
| A                | R                                   | B            |                 |              | B (y-intercept)    |    |    |    |    |    |    |    |    |    |    |    |    |    |    |    |    |    |   |   |   |   |   |   |   |   |   |   |   |

### 13.1.33 TEMP.T0

Address offset: 0x434

Segment end T0.

|                  |                                     |              |                 |              |                          |    |    |    |    |    |    |    |    |    |    |    |    |    |    |    |    |    |   |   |   |   |   |   |   |   |   |   |
|------------------|-------------------------------------|--------------|-----------------|--------------|--------------------------|----|----|----|----|----|----|----|----|----|----|----|----|----|----|----|----|----|---|---|---|---|---|---|---|---|---|---|
| Bit number       | 31                                  | 30           | 29              | 28           | 27                       | 26 | 25 | 24 | 23 | 22 | 21 | 20 | 19 | 18 | 17 | 16 | 15 | 14 | 13 | 12 | 11 | 10 | 9 | 8 | 7 | 6 | 5 | 4 | 3 | 2 | 1 | 0 |
| Id               | A A A A A A A A A A A A A A A A A A |              |                 |              |                          |    |    |    |    |    |    |    |    |    |    |    |    |    |    |    |    |    |   |   |   |   |   |   |   |   |   |   |
| Reset 0x000000E2 | 0                                   | 0            | 0               | 0            | 0                        | 0  | 0  | 0  | 0  | 0  | 0  | 0  | 0  | 0  | 0  | 0  | 0  | 0  | 0  | 0  | 0  | 0  | 0 | 0 | 1 | 1 | 1 | 0 | 0 | 0 | 1 | 0 |
| <b>Id</b>        | <b>RW</b>                           | <b>Field</b> | <b>Value Id</b> | <b>Value</b> | <b>Description</b>       |    |    |    |    |    |    |    |    |    |    |    |    |    |    |    |    |    |   |   |   |   |   |   |   |   |   |   |
| A                | R                                   | T            |                 |              | T (segment end)register. |    |    |    |    |    |    |    |    |    |    |    |    |    |    |    |    |    |   |   |   |   |   |   |   |   |   |   |

### 13.1.34 TEMP.T1

Address offset: 0x438

Segment end T1.

|                  |                                     |              |                 |              |                          |    |    |    |    |    |    |    |    |    |    |    |    |    |    |    |    |    |   |   |   |   |   |   |   |   |   |   |
|------------------|-------------------------------------|--------------|-----------------|--------------|--------------------------|----|----|----|----|----|----|----|----|----|----|----|----|----|----|----|----|----|---|---|---|---|---|---|---|---|---|---|
| Bit number       | 31                                  | 30           | 29              | 28           | 27                       | 26 | 25 | 24 | 23 | 22 | 21 | 20 | 19 | 18 | 17 | 16 | 15 | 14 | 13 | 12 | 11 | 10 | 9 | 8 | 7 | 6 | 5 | 4 | 3 | 2 | 1 | 0 |
| Id               | A A A A A A A A A A A A A A A A A A |              |                 |              |                          |    |    |    |    |    |    |    |    |    |    |    |    |    |    |    |    |    |   |   |   |   |   |   |   |   |   |   |
| Reset 0x00000000 | 0                                   | 0            | 0               | 0            | 0                        | 0  | 0  | 0  | 0  | 0  | 0  | 0  | 0  | 0  | 0  | 0  | 0  | 0  | 0  | 0  | 0  | 0  | 0 | 0 | 0 | 0 | 0 | 0 | 0 | 0 | 0 | 0 |
| <b>Id</b>        | <b>RW</b>                           | <b>Field</b> | <b>Value Id</b> | <b>Value</b> | <b>Description</b>       |    |    |    |    |    |    |    |    |    |    |    |    |    |    |    |    |    |   |   |   |   |   |   |   |   |   |   |
| A                | R                                   | T            |                 |              | T (segment end)register. |    |    |    |    |    |    |    |    |    |    |    |    |    |    |    |    |    |   |   |   |   |   |   |   |   |   |   |

### 13.1.35 TEMP.T2

Address offset: 0x43C

Segment end T2.

|                  |                                     |              |                 |              |                          |    |    |    |    |    |    |    |    |    |    |    |    |    |    |    |    |    |   |   |   |   |   |   |   |   |   |   |   |
|------------------|-------------------------------------|--------------|-----------------|--------------|--------------------------|----|----|----|----|----|----|----|----|----|----|----|----|----|----|----|----|----|---|---|---|---|---|---|---|---|---|---|---|
| Bit number       | 31                                  | 30           | 29              | 28           | 27                       | 26 | 25 | 24 | 23 | 22 | 21 | 20 | 19 | 18 | 17 | 16 | 15 | 14 | 13 | 12 | 11 | 10 | 9 | 8 | 7 | 6 | 5 | 4 | 3 | 2 | 1 | 0 |   |
| Id               | A A A A A A A A A A A A A A A A A A |              |                 |              |                          |    |    |    |    |    |    |    |    |    |    |    |    |    |    |    |    |    |   |   |   |   |   |   |   |   |   |   |   |
| Reset 0x00000014 | 0                                   | 0            | 0               | 0            | 0                        | 0  | 0  | 0  | 0  | 0  | 0  | 0  | 0  | 0  | 0  | 0  | 0  | 0  | 0  | 0  | 0  | 0  | 0 | 0 | 0 | 0 | 0 | 0 | 1 | 0 | 1 | 0 | 0 |
| <b>Id</b>        | <b>RW</b>                           | <b>Field</b> | <b>Value Id</b> | <b>Value</b> | <b>Description</b>       |    |    |    |    |    |    |    |    |    |    |    |    |    |    |    |    |    |   |   |   |   |   |   |   |   |   |   |   |
| A                | R                                   | T            |                 |              | T (segment end)register. |    |    |    |    |    |    |    |    |    |    |    |    |    |    |    |    |    |   |   |   |   |   |   |   |   |   |   |   |

### 13.1.36 TEMP.T3

Address offset: 0x440

Segment end T3.

|                  |                                     |              |                 |              |                          |    |    |    |    |    |    |    |    |    |    |    |    |    |    |    |    |    |   |   |   |   |   |   |   |   |   |   |   |
|------------------|-------------------------------------|--------------|-----------------|--------------|--------------------------|----|----|----|----|----|----|----|----|----|----|----|----|----|----|----|----|----|---|---|---|---|---|---|---|---|---|---|---|
| Bit number       | 31                                  | 30           | 29              | 28           | 27                       | 26 | 25 | 24 | 23 | 22 | 21 | 20 | 19 | 18 | 17 | 16 | 15 | 14 | 13 | 12 | 11 | 10 | 9 | 8 | 7 | 6 | 5 | 4 | 3 | 2 | 1 | 0 |   |
| Id               | A A A A A A A A A A A A A A A A A A |              |                 |              |                          |    |    |    |    |    |    |    |    |    |    |    |    |    |    |    |    |    |   |   |   |   |   |   |   |   |   |   |   |
| Reset 0x00000019 | 0                                   | 0            | 0               | 0            | 0                        | 0  | 0  | 0  | 0  | 0  | 0  | 0  | 0  | 0  | 0  | 0  | 0  | 0  | 0  | 0  | 0  | 0  | 0 | 0 | 0 | 0 | 0 | 0 | 1 | 1 | 0 | 0 | 1 |
| <b>Id</b>        | <b>RW</b>                           | <b>Field</b> | <b>Value Id</b> | <b>Value</b> | <b>Description</b>       |    |    |    |    |    |    |    |    |    |    |    |    |    |    |    |    |    |   |   |   |   |   |   |   |   |   |   |   |
| A                | R                                   | T            |                 |              | T (segment end)register. |    |    |    |    |    |    |    |    |    |    |    |    |    |    |    |    |    |   |   |   |   |   |   |   |   |   |   |   |

### 13.1.37 TEMP.T4

Address offset: 0x444

Segment end T4.

| Bit number       | 31              | 30    | 29       | 28    | 27                       | 26 | 25 | 24 | 23 | 22 | 21 | 20 | 19 | 18 | 17 | 16 | 15 | 14 | 13 | 12 | 11 | 10 | 9 | 8 | 7 | 6 | 5 | 4 | 3 | 2 | 1 | 0 |   |
|------------------|-----------------|-------|----------|-------|--------------------------|----|----|----|----|----|----|----|----|----|----|----|----|----|----|----|----|----|---|---|---|---|---|---|---|---|---|---|---|
| Id               | A A A A A A A A |       |          |       |                          |    |    |    |    |    |    |    |    |    |    |    |    |    |    |    |    |    |   |   |   |   |   |   |   |   |   |   |   |
| Reset 0x00000050 | 0               | 0     | 0        | 0     | 0                        | 0  | 0  | 0  | 0  | 0  | 0  | 0  | 0  | 0  | 0  | 0  | 0  | 0  | 0  | 0  | 0  | 0  | 0 | 0 | 0 | 0 | 1 | 0 | 1 | 0 | 0 | 0 | 0 |
| Id               | RW              | Field | Value Id | Value | Description              |    |    |    |    |    |    |    |    |    |    |    |    |    |    |    |    |    |   |   |   |   |   |   |   |   |   |   |   |
| A                | R               | T     |          |       | T (segment end)register. |    |    |    |    |    |    |    |    |    |    |    |    |    |    |    |    |    |   |   |   |   |   |   |   |   |   |   |   |

### 13.1.38 NFC.TAGHEADER0

Address offset: 0x450

Default header for NFC Tag. Software can read these values to populate NFCID1\_3RD\_LAST, NFCID1\_2ND\_LAST and NFCID1\_LAST.

| Bit number         | 31 | 30    | 29       | 28    | 27  | 26 | 25 | 24 | 23 | 22 | 21 | 20 | 19 | 18 | 17 | 16 | 15 | 14 | 13 | 12 | 11 | 10 | 9 | 8 | 7 | 6 | 5 | 4 | 3 | 2 | 1 | 0 |
|--------------------|----|-------|----------|-------|---|----|----|----|----|----|----|----|----|----|----|----|----|----|----|----|----|----|---|---|---|---|---|---|---|---|---|---|
| Id                 | D  | D     | D        | D     | D   | D  | D  | D  | C  | C  | C  | C  | C  | C  | C  | B  | B  | B  | B  | B  | B  | B  | B | B | A | A | A | A | A | A | A | A |
| Reset 0xFFFFFFFF5F | 1  | 1     | 1        | 1     | 1   | 1  | 1  | 1  | 1  | 1  | 1  | 1  | 1  | 1  | 1  | 1  | 1  | 1  | 1  | 1  | 1  | 1  | 1 | 1 | 0 | 1 | 0 | 1 | 1 | 1 | 1 | 1 |
| Id                 | RW | Field | Value Id | Value | Description   |    |    |    |    |    |    |    |    |    |    |    |    |    |    |    |    |    |   |   |   |   |   |   |   |   |   |   |
| A                  | R  | MFGID |          |       | Default Manufacturer ID: Nordic Semiconductor ASA has ICM<br>0x5F |    |    |    |    |    |    |    |    |    |    |    |    |    |    |    |    |    |   |   |   |   |   |   |   |   |   |   |
| B                  | R  | UD1   |          |       | Unique identifier byte 1  |    |    |    |    |    |    |    |    |    |    |    |    |    |    |    |    |    |   |   |   |   |   |   |   |   |   |   |
| C                  | R  | UD2   |          |       | Unique identifier byte 2  |    |    |    |    |    |    |    |    |    |    |    |    |    |    |    |    |    |   |   |   |   |   |   |   |   |   |   |
| D                  | R  | UD3   |          |       | Unique identifier byte 3  |    |    |    |    |    |    |    |    |    |    |    |    |    |    |    |    |    |   |   |   |   |   |   |   |   |   |   |

### 13.1.39 NFC.TAGHEADER1

Address offset: 0x454

Default header for NFC Tag. Software can read these values to populate NFCID1\_3RD\_LAST, NFCID1\_2ND\_LAST and NFCID1\_LAST.

| Bit number         | 31 | 30    | 29       | 28    | 27                       | 26 | 25 | 24 | 23 | 22 | 21 | 20 | 19 | 18 | 17 | 16 | 15 | 14 | 13 | 12 | 11 | 10 | 9 | 8 | 7 | 6 | 5 | 4 | 3 | 2 | 1 | 0 |
|--------------------|----|-------|----------|-------|--------------------------|----|----|----|----|----|----|----|----|----|----|----|----|----|----|----|----|----|---|---|---|---|---|---|---|---|---|---|
| Id                 | D  | D     | D        | D     | D                        | D  | D  | D  | C  | C  | C  | C  | C  | C  | C  | B  | B  | B  | B  | B  | B  | B  | B | B | A | A | A | A | A | A | A | A |
| Reset 0xFFFFFFFFFF | 1  | 1     | 1        | 1     | 1                        | 1  | 1  | 1  | 1  | 1  | 1  | 1  | 1  | 1  | 1  | 1  | 1  | 1  | 1  | 1  | 1  | 1  | 1 | 1 | 1 | 1 | 1 | 1 | 1 | 1 | 1 | 1 |
| Id                 | RW | Field | Value Id | Value | Description              |    |    |    |    |    |    |    |    |    |    |    |    |    |    |    |    |    |   |   |   |   |   |   |   |   |   |   |
| A                  | R  | UD4   |          |       | Unique identifier byte 4 |    |    |    |    |    |    |    |    |    |    |    |    |    |    |    |    |    |   |   |   |   |   |   |   |   |   |   |
| B                  | R  | UD5   |          |       | Unique identifier byte 5 |    |    |    |    |    |    |    |    |    |    |    |    |    |    |    |    |    |   |   |   |   |   |   |   |   |   |   |
| C                  | R  | UD6   |          |       | Unique identifier byte 6 |    |    |    |    |    |    |    |    |    |    |    |    |    |    |    |    |    |   |   |   |   |   |   |   |   |   |   |
| D                  | R  | UD7   |          |       | Unique identifier byte 7 |    |    |    |    |    |    |    |    |    |    |    |    |    |    |    |    |    |   |   |   |   |   |   |   |   |   |   |

### 13.1.40 NFC.TAGHEADER2

Address offset: 0x458

Default header for NFC Tag. Software can read these values to populate NFCID1\_3RD\_LAST, NFCID1\_2ND\_LAST and NFCID1\_LAST.

| Bit number         | 31 | 30    | 29       | 28    | 27                        | 26 | 25 | 24 | 23 | 22 | 21 | 20 | 19 | 18 | 17 | 16 | 15 | 14 | 13 | 12 | 11 | 10 | 9 | 8 | 7 | 6 | 5 | 4 | 3 | 2 | 1 | 0 |
|--------------------|----|-------|----------|-------|---------------------------|----|----|----|----|----|----|----|----|----|----|----|----|----|----|----|----|----|---|---|---|---|---|---|---|---|---|---|
| Id                 | D  | D     | D        | D     | D                         | D  | D  | D  | C  | C  | C  | C  | C  | C  | C  | B  | B  | B  | B  | B  | B  | B  | B | B | A | A | A | A | A | A | A | A |
| Reset 0xFFFFFFFFFF | 1  | 1     | 1        | 1     | 1                         | 1  | 1  | 1  | 1  | 1  | 1  | 1  | 1  | 1  | 1  | 1  | 1  | 1  | 1  | 1  | 1  | 1  | 1 | 1 | 1 | 1 | 1 | 1 | 1 | 1 | 1 | 1 |
| Id                 | RW | Field | Value Id | Value | Description               |    |    |    |    |    |    |    |    |    |    |    |    |    |    |    |    |    |   |   |   |   |   |   |   |   |   |   |
| A                  | R  | UD8   |          |       | Unique identifier byte 8  |    |    |    |    |    |    |    |    |    |    |    |    |    |    |    |    |    |   |   |   |   |   |   |   |   |   |   |
| B                  | R  | UD9   |          |       | Unique identifier byte 9  |    |    |    |    |    |    |    |    |    |    |    |    |    |    |    |    |    |   |   |   |   |   |   |   |   |   |   |
| C                  | R  | UD10  |          |       | Unique identifier byte 10 |    |    |    |    |    |    |    |    |    |    |    |    |    |    |    |    |    |   |   |   |   |   |   |   |   |   |   |
| D                  | R  | UD11  |          |       | Unique identifier byte 11 |    |    |    |    |    |    |    |    |    |    |    |    |    |    |    |    |    |   |   |   |   |   |   |   |   |   |   |

### 13.1.41 NFC.TAGHEADER3

Address offset: 0x45C

Default header for NFC Tag. Software can read these values to populate NFCID1\_3RD\_LAST, NFCID1\_2ND\_LAST and NFCID1\_LAST.

| Bit number       | 31 | 30    | 29       | 28    | 27                        | 26 | 25 | 24 | 23 | 22 | 21 | 20 | 19 | 18 | 17 | 16 | 15 | 14 | 13 | 12 | 11 | 10 | 9 | 8 | 7 | 6 | 5 | 4 | 3 | 2 | 1 | 0 |
|------------------|----|-------|----------|-------|---------------------------|----|----|----|----|----|----|----|----|----|----|----|----|----|----|----|----|----|---|---|---|---|---|---|---|---|---|---|
| Id               | D  | D     | D        | D     | D                         | D  | D  | D  | C  | C  | C  | C  | C  | C  | C  | B  | B  | B  | B  | B  | B  | B  | B | A | A | A | A | A | A | A | A | A |
| Reset 0xFFFFFFFF | 1  | 1     | 1        | 1     | 1                         | 1  | 1  | 1  | 1  | 1  | 1  | 1  | 1  | 1  | 1  | 1  | 1  | 1  | 1  | 1  | 1  | 1  | 1 | 1 | 1 | 1 | 1 | 1 | 1 | 1 | 1 | 1 |
| Id               | RW | Field | Value Id | Value | Description               |    |    |    |    |    |    |    |    |    |    |    |    |    |    |    |    |    |   |   |   |   |   |   |   |   |   |   |
| A                | R  | UD12  |          |       | Unique identifier byte 12 |    |    |    |    |    |    |    |    |    |    |    |    |    |    |    |    |    |   |   |   |   |   |   |   |   |   |   |
| B                | R  | UD13  |          |       | Unique identifier byte 13 |    |    |    |    |    |    |    |    |    |    |    |    |    |    |    |    |    |   |   |   |   |   |   |   |   |   |   |
| C                | R  | UD14  |          |       | Unique identifier byte 14 |    |    |    |    |    |    |    |    |    |    |    |    |    |    |    |    |    |   |   |   |   |   |   |   |   |   |   |
| D                | R  | UD15  |          |       | Unique identifier byte 15 |    |    |    |    |    |    |    |    |    |    |    |    |    |    |    |    |    |   |   |   |   |   |   |   |   |   |   |

## 14 UICR — User information configuration registers

The user information configuration registers (UICRs) are non-volatile memory (NVM) registers for configuring user specific settings.

For information on writing UICR registers, see the [NVMC — Non-volatile memory controller](#) on page 29 and [Memory](#) on page 23 chapters.

### 14.1 Registers

**Table 18: Instances**

| Base address | Peripheral | Instance | Description                    | Configuration |
|--------------|------------|----------|--------------------------------|---------------|
| 0x10001000   | UICR       | UICR     | User Information Configuration |               |

**Table 19: Register Overview**

| Register                    | Offset | Description                         |
|-----------------------------|--------|-------------------------------------|
|                             | 0x000  | Reserved                            |
|                             | 0x004  | Reserved                            |
|                             | 0x008  | Reserved                            |
|                             | 0x010  | Reserved                            |
| <a href="#">NRFFW[0]</a>    | 0x014  | Reserved for Nordic firmware design |
| <a href="#">NRFFW[1]</a>    | 0x018  | Reserved for Nordic firmware design |
| <a href="#">NRFFW[2]</a>    | 0x01C  | Reserved for Nordic firmware design |
| <a href="#">NRFFW[3]</a>    | 0x020  | Reserved for Nordic firmware design |
| <a href="#">NRFFW[4]</a>    | 0x024  | Reserved for Nordic firmware design |
| <a href="#">NRFFW[5]</a>    | 0x028  | Reserved for Nordic firmware design |
| <a href="#">NRFFW[6]</a>    | 0x02C  | Reserved for Nordic firmware design |
| <a href="#">NRFFW[7]</a>    | 0x030  | Reserved for Nordic firmware design |
| <a href="#">NRFFW[8]</a>    | 0x034  | Reserved for Nordic firmware design |
| <a href="#">NRFFW[9]</a>    | 0x038  | Reserved for Nordic firmware design |
| <a href="#">NRFFW[10]</a>   | 0x03C  | Reserved for Nordic firmware design |
| <a href="#">NRFFW[11]</a>   | 0x040  | Reserved for Nordic firmware design |
| <a href="#">NRFFW[12]</a>   | 0x044  | Reserved for Nordic firmware design |
| <a href="#">NRFFW[13]</a>   | 0x048  | Reserved for Nordic firmware design |
| <a href="#">NRFFW[14]</a>   | 0x04C  | Reserved for Nordic firmware design |
| <a href="#">NRFHW[0]</a>    | 0x050  | Reserved for Nordic hardware design |
| <a href="#">NRFHW[1]</a>    | 0x054  | Reserved for Nordic hardware design |
| <a href="#">NRFHW[2]</a>    | 0x058  | Reserved for Nordic hardware design |
| <a href="#">NRFHW[3]</a>    | 0x05C  | Reserved for Nordic hardware design |
| <a href="#">NRFHW[4]</a>    | 0x060  | Reserved for Nordic hardware design |
| <a href="#">NRFHW[5]</a>    | 0x064  | Reserved for Nordic hardware design |
| <a href="#">NRFHW[6]</a>    | 0x068  | Reserved for Nordic hardware design |
| <a href="#">NRFHW[7]</a>    | 0x06C  | Reserved for Nordic hardware design |
| <a href="#">NRFHW[8]</a>    | 0x070  | Reserved for Nordic hardware design |
| <a href="#">NRFHW[9]</a>    | 0x074  | Reserved for Nordic hardware design |
| <a href="#">NRFHW[10]</a>   | 0x078  | Reserved for Nordic hardware design |
| <a href="#">NRFHW[11]</a>   | 0x07C  | Reserved for Nordic hardware design |
| <a href="#">CUSTOMER[0]</a> | 0x080  | Reserved for customer               |
| <a href="#">CUSTOMER[1]</a> | 0x084  | Reserved for customer               |
| <a href="#">CUSTOMER[2]</a> | 0x088  | Reserved for customer               |
| <a href="#">CUSTOMER[3]</a> | 0x08C  | Reserved for customer               |
| <a href="#">CUSTOMER[4]</a> | 0x090  | Reserved for customer               |
| <a href="#">CUSTOMER[5]</a> | 0x094  | Reserved for customer               |
| <a href="#">CUSTOMER[6]</a> | 0x098  | Reserved for customer               |

| Register     | Offset | Description   |
|--------------|--------|---|
| CUSTOMER[7]  | 0x09C  | Reserved for customer   |
| CUSTOMER[8]  | 0x0A0  | Reserved for customer   |
| CUSTOMER[9]  | 0x0A4  | Reserved for customer   |
| CUSTOMER[10] | 0x0A8  | Reserved for customer   |
| CUSTOMER[11] | 0x0AC  | Reserved for customer   |
| CUSTOMER[12] | 0x0B0  | Reserved for customer   |
| CUSTOMER[13] | 0x0B4  | Reserved for customer   |
| CUSTOMER[14] | 0x0B8  | Reserved for customer   |
| CUSTOMER[15] | 0x0BC  | Reserved for customer   |
| CUSTOMER[16] | 0x0C0  | Reserved for customer   |
| CUSTOMER[17] | 0x0C4  | Reserved for customer   |
| CUSTOMER[18] | 0x0C8  | Reserved for customer   |
| CUSTOMER[19] | 0x0CC  | Reserved for customer   |
| CUSTOMER[20] | 0x0D0  | Reserved for customer   |
| CUSTOMER[21] | 0x0D4  | Reserved for customer   |
| CUSTOMER[22] | 0x0D8  | Reserved for customer   |
| CUSTOMER[23] | 0x0DC  | Reserved for customer   |
| CUSTOMER[24] | 0x0E0  | Reserved for customer   |
| CUSTOMER[25] | 0x0E4  | Reserved for customer   |
| CUSTOMER[26] | 0x0E8  | Reserved for customer   |
| CUSTOMER[27] | 0x0EC  | Reserved for customer   |
| CUSTOMER[28] | 0x0F0  | Reserved for customer   |
| CUSTOMER[29] | 0x0F4  | Reserved for customer   |
| CUSTOMER[30] | 0x0F8  | Reserved for customer   |
| CUSTOMER[31] | 0x0FC  | Reserved for customer   |
| PSELRESET[0] | 0x200  | Mapping of the nRESET function (see POWER chapter for details)      |
| PSELRESET[1] | 0x204  | Mapping of the nRESET function (see POWER chapter for details)      |
| APPROTECT    | 0x208  | Access Port protection  |
| NFCPINS      | 0x20C  | Setting of pins dedicated to NFC functionality: NFC antenna or GPIO |

### 14.1.1 NRFFW[0]

Address offset: 0x014

Reserved for Nordic firmware design

| Bit number       | 31 | 30    | 29    | 28 | 27    | 26                                  | 25 | 24 | 23 | 22 | 21 | 20 | 19 | 18 | 17 | 16 | 15 | 14 | 13 | 12 | 11 | 10 | 9 | 8 | 7 | 6 | 5 | 4 | 3 | 2 | 1 | 0 |
|------------------|----|-------|-------|----|-------|-------------------------------------|----|----|----|----|----|----|----|----|----|----|----|----|----|----|----|----|---|---|---|---|---|---|---|---|---|---|
| Id               | A  | A     | A     | A  | A     | A                                   | A  | A  | A  | A  | A  | A  | A  | A  | A  | A  | A  | A  | A  | A  | A  | A  | A | A | A | A | A | A | A | A | A | A |
| Reset 0xFFFFFFFF | 1  | 1     | 1     | 1  | 1     | 1                                   | 1  | 1  | 1  | 1  | 1  | 1  | 1  | 1  | 1  | 1  | 1  | 1  | 1  | 1  | 1  | 1  | 1 | 1 | 1 | 1 | 1 | 1 | 1 | 1 | 1 |   |
| Id               | RW | Field | Value | Id | Value | Description                         |    |    |    |    |    |    |    |    |    |    |    |    |    |    |    |    |   |   |   |   |   |   |   |   |   |   |
| A                | RW | NRFFW |       |    |       | Reserved for Nordic firmware design |    |    |    |    |    |    |    |    |    |    |    |    |    |    |    |    |   |   |   |   |   |   |   |   |   |   |

### 14.1.2 NRFFW[1]

Address offset: 0x018

Reserved for Nordic firmware design

| Bit number       | 31 | 30    | 29    | 28 | 27    | 26                                  | 25 | 24 | 23 | 22 | 21 | 20 | 19 | 18 | 17 | 16 | 15 | 14 | 13 | 12 | 11 | 10 | 9 | 8 | 7 | 6 | 5 | 4 | 3 | 2 | 1 | 0 |
|------------------|----|-------|-------|----|-------|-------------------------------------|----|----|----|----|----|----|----|----|----|----|----|----|----|----|----|----|---|---|---|---|---|---|---|---|---|---|
| Id               | A  | A     | A     | A  | A     | A                                   | A  | A  | A  | A  | A  | A  | A  | A  | A  | A  | A  | A  | A  | A  | A  | A  | A | A | A | A | A | A | A | A | A |   |
| Reset 0xFFFFFFFF | 1  | 1     | 1     | 1  | 1     | 1                                   | 1  | 1  | 1  | 1  | 1  | 1  | 1  | 1  | 1  | 1  | 1  | 1  | 1  | 1  | 1  | 1  | 1 | 1 | 1 | 1 | 1 | 1 | 1 | 1 | 1 |   |
| Id               | RW | Field | Value | Id | Value | Description                         |    |    |    |    |    |    |    |    |    |    |    |    |    |    |    |    |   |   |   |   |   |   |   |   |   |   |
| A                | RW | NRFFW |       |    |       | Reserved for Nordic firmware design |    |    |    |    |    |    |    |    |    |    |    |    |    |    |    |    |   |   |   |   |   |   |   |   |   |   |

### 14.1.3 NRFFW[2]

Address offset: 0x01C

Reserved for Nordic firmware design

| Bit number       | 31 | 30    | 29       | 28    | 27                                  | 26 | 25 | 24 | 23 | 22 | 21 | 20 | 19 | 18 | 17 | 16 | 15 | 14 | 13 | 12 | 11 | 10 | 9 | 8 | 7 | 6 | 5 | 4 | 3 | 2 | 1 | 0 |   |
|------------------|----|-------|----------|-------|-------------------------------------|----|----|----|----|----|----|----|----|----|----|----|----|----|----|----|----|----|---|---|---|---|---|---|---|---|---|---|---|
| Id               | A  | A     | A        | A     | A                                   | A  | A  | A  | A  | A  | A  | A  | A  | A  | A  | A  | A  | A  | A  | A  | A  | A  | A | A | A | A | A | A | A | A | A | A | A |
| Reset 0xFFFFFFFF | 1  | 1     | 1        | 1     | 1                                   | 1  | 1  | 1  | 1  | 1  | 1  | 1  | 1  | 1  | 1  | 1  | 1  | 1  | 1  | 1  | 1  | 1  | 1 | 1 | 1 | 1 | 1 | 1 | 1 | 1 | 1 | 1 |   |
| Id               | RW | Field | Value Id | Value | Description                         |    |    |    |    |    |    |    |    |    |    |    |    |    |    |    |    |    |   |   |   |   |   |   |   |   |   |   |   |
| A                | RW | NRFFW |          |       | Reserved for Nordic firmware design |    |    |    |    |    |    |    |    |    |    |    |    |    |    |    |    |    |   |   |   |   |   |   |   |   |   |   |   |

### 14.1.4 NRFFW[3]

Address offset: 0x020

Reserved for Nordic firmware design

| Bit number       | 31 | 30    | 29       | 28    | 27                                  | 26 | 25 | 24 | 23 | 22 | 21 | 20 | 19 | 18 | 17 | 16 | 15 | 14 | 13 | 12 | 11 | 10 | 9 | 8 | 7 | 6 | 5 | 4 | 3 | 2 | 1 | 0 |
|------------------|----|-------|----------|-------|-------------------------------------|----|----|----|----|----|----|----|----|----|----|----|----|----|----|----|----|----|---|---|---|---|---|---|---|---|---|---|
| Id               | A  | A     | A        | A     | A                                   | A  | A  | A  | A  | A  | A  | A  | A  | A  | A  | A  | A  | A  | A  | A  | A  | A  | A | A | A | A | A | A | A | A | A | A |
| Reset 0xFFFFFFFF | 1  | 1     | 1        | 1     | 1                                   | 1  | 1  | 1  | 1  | 1  | 1  | 1  | 1  | 1  | 1  | 1  | 1  | 1  | 1  | 1  | 1  | 1  | 1 | 1 | 1 | 1 | 1 | 1 | 1 | 1 | 1 | 1 |
| Id               | RW | Field | Value Id | Value | Description                         |    |    |    |    |    |    |    |    |    |    |    |    |    |    |    |    |    |   |   |   |   |   |   |   |   |   |   |
| A                | RW | NRFFW |          |       | Reserved for Nordic firmware design |    |    |    |    |    |    |    |    |    |    |    |    |    |    |    |    |    |   |   |   |   |   |   |   |   |   |   |

### 14.1.5 NRFFW[4]

Address offset: 0x024

Reserved for Nordic firmware design

| Bit number       | 31 | 30    | 29       | 28    | 27                                  | 26 | 25 | 24 | 23 | 22 | 21 | 20 | 19 | 18 | 17 | 16 | 15 | 14 | 13 | 12 | 11 | 10 | 9 | 8 | 7 | 6 | 5 | 4 | 3 | 2 | 1 | 0 |
|------------------|----|-------|----------|-------|-------------------------------------|----|----|----|----|----|----|----|----|----|----|----|----|----|----|----|----|----|---|---|---|---|---|---|---|---|---|---|
| Id               | A  | A     | A        | A     | A                                   | A  | A  | A  | A  | A  | A  | A  | A  | A  | A  | A  | A  | A  | A  | A  | A  | A  | A | A | A | A | A | A | A | A | A | A |
| Reset 0xFFFFFFFF | 1  | 1     | 1        | 1     | 1                                   | 1  | 1  | 1  | 1  | 1  | 1  | 1  | 1  | 1  | 1  | 1  | 1  | 1  | 1  | 1  | 1  | 1  | 1 | 1 | 1 | 1 | 1 | 1 | 1 | 1 | 1 | 1 |
| Id               | RW | Field | Value Id | Value | Description                         |    |    |    |    |    |    |    |    |    |    |    |    |    |    |    |    |    |   |   |   |   |   |   |   |   |   |   |
| A                | RW | NRFFW |          |       | Reserved for Nordic firmware design |    |    |    |    |    |    |    |    |    |    |    |    |    |    |    |    |    |   |   |   |   |   |   |   |   |   |   |

### 14.1.6 NRFFW[5]

Address offset: 0x028

Reserved for Nordic firmware design

| Bit number       | 31 | 30    | 29       | 28    | 27                                  | 26 | 25 | 24 | 23 | 22 | 21 | 20 | 19 | 18 | 17 | 16 | 15 | 14 | 13 | 12 | 11 | 10 | 9 | 8 | 7 | 6 | 5 | 4 | 3 | 2 | 1 | 0 |
|------------------|----|-------|----------|-------|-------------------------------------|----|----|----|----|----|----|----|----|----|----|----|----|----|----|----|----|----|---|---|---|---|---|---|---|---|---|---|
| Id               | A  | A     | A        | A     | A                                   | A  | A  | A  | A  | A  | A  | A  | A  | A  | A  | A  | A  | A  | A  | A  | A  | A  | A | A | A | A | A | A | A | A | A | A |
| Reset 0xFFFFFFFF | 1  | 1     | 1        | 1     | 1                                   | 1  | 1  | 1  | 1  | 1  | 1  | 1  | 1  | 1  | 1  | 1  | 1  | 1  | 1  | 1  | 1  | 1  | 1 | 1 | 1 | 1 | 1 | 1 | 1 | 1 | 1 | 1 |
| Id               | RW | Field | Value Id | Value | Description                         |    |    |    |    |    |    |    |    |    |    |    |    |    |    |    |    |    |   |   |   |   |   |   |   |   |   |   |
| A                | RW | NRFFW |          |       | Reserved for Nordic firmware design |    |    |    |    |    |    |    |    |    |    |    |    |    |    |    |    |    |   |   |   |   |   |   |   |   |   |   |

### 14.1.7 NRFFW[6]

Address offset: 0x02C

Reserved for Nordic firmware design

| Bit number       | 31 | 30    | 29       | 28    | 27                                  | 26 | 25 | 24 | 23 | 22 | 21 | 20 | 19 | 18 | 17 | 16 | 15 | 14 | 13 | 12 | 11 | 10 | 9 | 8 | 7 | 6 | 5 | 4 | 3 | 2 | 1 | 0 |
|------------------|----|-------|----------|-------|-------------------------------------|----|----|----|----|----|----|----|----|----|----|----|----|----|----|----|----|----|---|---|---|---|---|---|---|---|---|---|
| Id               | A  | A     | A        | A     | A                                   | A  | A  | A  | A  | A  | A  | A  | A  | A  | A  | A  | A  | A  | A  | A  | A  | A  | A | A | A | A | A | A | A | A | A | A |
| Reset 0xFFFFFFFF | 1  | 1     | 1        | 1     | 1                                   | 1  | 1  | 1  | 1  | 1  | 1  | 1  | 1  | 1  | 1  | 1  | 1  | 1  | 1  | 1  | 1  | 1  | 1 | 1 | 1 | 1 | 1 | 1 | 1 | 1 | 1 | 1 |
| Id               | RW | Field | Value Id | Value | Description                         |    |    |    |    |    |    |    |    |    |    |    |    |    |    |    |    |    |   |   |   |   |   |   |   |   |   |   |
| A                | RW | NRFFW |          |       | Reserved for Nordic firmware design |    |    |    |    |    |    |    |    |    |    |    |    |    |    |    |    |    |   |   |   |   |   |   |   |   |   |   |

### 14.1.8 NRFFW[7]

Address offset: 0x030

Reserved for Nordic firmware design

| Bit number       | 31 | 30    | 29       | 28    | 27                                  | 26 | 25 | 24 | 23 | 22 | 21 | 20 | 19 | 18 | 17 | 16 | 15 | 14 | 13 | 12 | 11 | 10 | 9 | 8 | 7 | 6 | 5 | 4 | 3 | 2 | 1 | 0 |
|------------------|----|-------|----------|-------|-------------------------------------|----|----|----|----|----|----|----|----|----|----|----|----|----|----|----|----|----|---|---|---|---|---|---|---|---|---|---|
| Id               | A  | A     | A        | A     | A                                   | A  | A  | A  | A  | A  | A  | A  | A  | A  | A  | A  | A  | A  | A  | A  | A  | A  | A | A | A | A | A | A | A | A | A | A |
| Reset 0xFFFFFFFF | 1  | 1     | 1        | 1     | 1                                   | 1  | 1  | 1  | 1  | 1  | 1  | 1  | 1  | 1  | 1  | 1  | 1  | 1  | 1  | 1  | 1  | 1  | 1 | 1 | 1 | 1 | 1 | 1 | 1 | 1 | 1 | 1 |
| Id               | RW | Field | Value Id | Value | Description                         |    |    |    |    |    |    |    |    |    |    |    |    |    |    |    |    |    |   |   |   |   |   |   |   |   |   |   |
| A                | RW | NRFFW |          |       | Reserved for Nordic firmware design |    |    |    |    |    |    |    |    |    |    |    |    |    |    |    |    |    |   |   |   |   |   |   |   |   |   |   |



### 14.1.9 NRFFW[8]

Address offset: 0x034

Reserved for Nordic firmware design

| Bit number       | 31 | 30    | 29       | 28    | 27                                  | 26 | 25 | 24 | 23 | 22 | 21 | 20 | 19 | 18 | 17 | 16 | 15 | 14 | 13 | 12 | 11 | 10 | 9 | 8 | 7 | 6 | 5 | 4 | 3 | 2 | 1 | 0 |   |
|------------------|----|-------|----------|-------|-------------------------------------|----|----|----|----|----|----|----|----|----|----|----|----|----|----|----|----|----|---|---|---|---|---|---|---|---|---|---|---|
| Id               | A  | A     | A        | A     | A                                   | A  | A  | A  | A  | A  | A  | A  | A  | A  | A  | A  | A  | A  | A  | A  | A  | A  | A | A | A | A | A | A | A | A | A | A | A |
| Reset 0xFFFFFFFF | 1  | 1     | 1        | 1     | 1                                   | 1  | 1  | 1  | 1  | 1  | 1  | 1  | 1  | 1  | 1  | 1  | 1  | 1  | 1  | 1  | 1  | 1  | 1 | 1 | 1 | 1 | 1 | 1 | 1 | 1 | 1 | 1 |   |
| Id               | RW | Field | Value Id | Value | Description                         |    |    |    |    |    |    |    |    |    |    |    |    |    |    |    |    |    |   |   |   |   |   |   |   |   |   |   |   |
| A                | RW | NRFFW |          |       | Reserved for Nordic firmware design |    |    |    |    |    |    |    |    |    |    |    |    |    |    |    |    |    |   |   |   |   |   |   |   |   |   |   |   |

### 14.1.10 NRFFW[9]

Address offset: 0x038

Reserved for Nordic firmware design

| Bit number       | 31 | 30    | 29       | 28    | 27                                  | 26 | 25 | 24 | 23 | 22 | 21 | 20 | 19 | 18 | 17 | 16 | 15 | 14 | 13 | 12 | 11 | 10 | 9 | 8 | 7 | 6 | 5 | 4 | 3 | 2 | 1 | 0 |
|------------------|----|-------|----------|-------|-------------------------------------|----|----|----|----|----|----|----|----|----|----|----|----|----|----|----|----|----|---|---|---|---|---|---|---|---|---|---|
| Id               | A  | A     | A        | A     | A                                   | A  | A  | A  | A  | A  | A  | A  | A  | A  | A  | A  | A  | A  | A  | A  | A  | A  | A | A | A | A | A | A | A | A | A | A |
| Reset 0xFFFFFFFF | 1  | 1     | 1        | 1     | 1                                   | 1  | 1  | 1  | 1  | 1  | 1  | 1  | 1  | 1  | 1  | 1  | 1  | 1  | 1  | 1  | 1  | 1  | 1 | 1 | 1 | 1 | 1 | 1 | 1 | 1 | 1 | 1 |
| Id               | RW | Field | Value Id | Value | Description                         |    |    |    |    |    |    |    |    |    |    |    |    |    |    |    |    |    |   |   |   |   |   |   |   |   |   |   |
| A                | RW | NRFFW |          |       | Reserved for Nordic firmware design |    |    |    |    |    |    |    |    |    |    |    |    |    |    |    |    |    |   |   |   |   |   |   |   |   |   |   |

### 14.1.11 NRFFW[10]

Address offset: 0x03C

Reserved for Nordic firmware design

| Bit number       | 31 | 30    | 29       | 28    | 27                                  | 26 | 25 | 24 | 23 | 22 | 21 | 20 | 19 | 18 | 17 | 16 | 15 | 14 | 13 | 12 | 11 | 10 | 9 | 8 | 7 | 6 | 5 | 4 | 3 | 2 | 1 | 0 |
|------------------|----|-------|----------|-------|-------------------------------------|----|----|----|----|----|----|----|----|----|----|----|----|----|----|----|----|----|---|---|---|---|---|---|---|---|---|---|
| Id               | A  | A     | A        | A     | A                                   | A  | A  | A  | A  | A  | A  | A  | A  | A  | A  | A  | A  | A  | A  | A  | A  | A  | A | A | A | A | A | A | A | A | A | A |
| Reset 0xFFFFFFFF | 1  | 1     | 1        | 1     | 1                                   | 1  | 1  | 1  | 1  | 1  | 1  | 1  | 1  | 1  | 1  | 1  | 1  | 1  | 1  | 1  | 1  | 1  | 1 | 1 | 1 | 1 | 1 | 1 | 1 | 1 | 1 | 1 |
| Id               | RW | Field | Value Id | Value | Description                         |    |    |    |    |    |    |    |    |    |    |    |    |    |    |    |    |    |   |   |   |   |   |   |   |   |   |   |
| A                | RW | NRFFW |          |       | Reserved for Nordic firmware design |    |    |    |    |    |    |    |    |    |    |    |    |    |    |    |    |    |   |   |   |   |   |   |   |   |   |   |

### 14.1.12 NRFFW[11]

Address offset: 0x040

Reserved for Nordic firmware design

| Bit number       | 31 | 30    | 29       | 28    | 27                                  | 26 | 25 | 24 | 23 | 22 | 21 | 20 | 19 | 18 | 17 | 16 | 15 | 14 | 13 | 12 | 11 | 10 | 9 | 8 | 7 | 6 | 5 | 4 | 3 | 2 | 1 | 0 |
|------------------|----|-------|----------|-------|-------------------------------------|----|----|----|----|----|----|----|----|----|----|----|----|----|----|----|----|----|---|---|---|---|---|---|---|---|---|---|
| Id               | A  | A     | A        | A     | A                                   | A  | A  | A  | A  | A  | A  | A  | A  | A  | A  | A  | A  | A  | A  | A  | A  | A  | A | A | A | A | A | A | A | A | A | A |
| Reset 0xFFFFFFFF | 1  | 1     | 1        | 1     | 1                                   | 1  | 1  | 1  | 1  | 1  | 1  | 1  | 1  | 1  | 1  | 1  | 1  | 1  | 1  | 1  | 1  | 1  | 1 | 1 | 1 | 1 | 1 | 1 | 1 | 1 | 1 | 1 |
| Id               | RW | Field | Value Id | Value | Description                         |    |    |    |    |    |    |    |    |    |    |    |    |    |    |    |    |    |   |   |   |   |   |   |   |   |   |   |
| A                | RW | NRFFW |          |       | Reserved for Nordic firmware design |    |    |    |    |    |    |    |    |    |    |    |    |    |    |    |    |    |   |   |   |   |   |   |   |   |   |   |

### 14.1.13 NRFFW[12]

Address offset: 0x044

Reserved for Nordic firmware design

| Bit number       | 31 | 30    | 29       | 28    | 27                                  | 26 | 25 | 24 | 23 | 22 | 21 | 20 | 19 | 18 | 17 | 16 | 15 | 14 | 13 | 12 | 11 | 10 | 9 | 8 | 7 | 6 | 5 | 4 | 3 | 2 | 1 | 0 |
|------------------|----|-------|----------|-------|-------------------------------------|----|----|----|----|----|----|----|----|----|----|----|----|----|----|----|----|----|---|---|---|---|---|---|---|---|---|---|
| Id               | A  | A     | A        | A     | A                                   | A  | A  | A  | A  | A  | A  | A  | A  | A  | A  | A  | A  | A  | A  | A  | A  | A  | A | A | A | A | A | A | A | A | A | A |
| Reset 0xFFFFFFFF | 1  | 1     | 1        | 1     | 1                                   | 1  | 1  | 1  | 1  | 1  | 1  | 1  | 1  | 1  | 1  | 1  | 1  | 1  | 1  | 1  | 1  | 1  | 1 | 1 | 1 | 1 | 1 | 1 | 1 | 1 | 1 | 1 |
| Id               | RW | Field | Value Id | Value | Description                         |    |    |    |    |    |    |    |    |    |    |    |    |    |    |    |    |    |   |   |   |   |   |   |   |   |   |   |
| A                | RW | NRFFW |          |       | Reserved for Nordic firmware design |    |    |    |    |    |    |    |    |    |    |    |    |    |    |    |    |    |   |   |   |   |   |   |   |   |   |   |

### 14.1.14 NRFFW[13]

Address offset: 0x048

Reserved for Nordic firmware design

| Bit number       | 31 | 30    | 29       | 28    | 27                                  | 26 | 25 | 24 | 23 | 22 | 21 | 20 | 19 | 18 | 17 | 16 | 15 | 14 | 13 | 12 | 11 | 10 | 9 | 8 | 7 | 6 | 5 | 4 | 3 | 2 | 1 | 0 |   |
|------------------|----|-------|----------|-------|-------------------------------------|----|----|----|----|----|----|----|----|----|----|----|----|----|----|----|----|----|---|---|---|---|---|---|---|---|---|---|---|
| Id               | A  | A     | A        | A     | A                                   | A  | A  | A  | A  | A  | A  | A  | A  | A  | A  | A  | A  | A  | A  | A  | A  | A  | A | A | A | A | A | A | A | A | A | A | A |
| Reset 0xFFFFFFFF | 1  | 1     | 1        | 1     | 1                                   | 1  | 1  | 1  | 1  | 1  | 1  | 1  | 1  | 1  | 1  | 1  | 1  | 1  | 1  | 1  | 1  | 1  | 1 | 1 | 1 | 1 | 1 | 1 | 1 | 1 | 1 | 1 |   |
| Id               | RW | Field | Value Id | Value | Description                         |    |    |    |    |    |    |    |    |    |    |    |    |    |    |    |    |    |   |   |   |   |   |   |   |   |   |   |   |
| A                | RW | NRFFW |          |       | Reserved for Nordic firmware design |    |    |    |    |    |    |    |    |    |    |    |    |    |    |    |    |    |   |   |   |   |   |   |   |   |   |   |   |

### 14.1.15 NRFFW[14]

Address offset: 0x04C

Reserved for Nordic firmware design

| Bit number       | 31 | 30    | 29       | 28    | 27                                  | 26 | 25 | 24 | 23 | 22 | 21 | 20 | 19 | 18 | 17 | 16 | 15 | 14 | 13 | 12 | 11 | 10 | 9 | 8 | 7 | 6 | 5 | 4 | 3 | 2 | 1 | 0 |
|------------------|----|-------|----------|-------|-------------------------------------|----|----|----|----|----|----|----|----|----|----|----|----|----|----|----|----|----|---|---|---|---|---|---|---|---|---|---|
| Id               | A  | A     | A        | A     | A                                   | A  | A  | A  | A  | A  | A  | A  | A  | A  | A  | A  | A  | A  | A  | A  | A  | A  | A | A | A | A | A | A | A | A | A | A |
| Reset 0xFFFFFFFF | 1  | 1     | 1        | 1     | 1                                   | 1  | 1  | 1  | 1  | 1  | 1  | 1  | 1  | 1  | 1  | 1  | 1  | 1  | 1  | 1  | 1  | 1  | 1 | 1 | 1 | 1 | 1 | 1 | 1 | 1 | 1 | 1 |
| Id               | RW | Field | Value Id | Value | Description                         |    |    |    |    |    |    |    |    |    |    |    |    |    |    |    |    |    |   |   |   |   |   |   |   |   |   |   |
| A                | RW | NRFFW |          |       | Reserved for Nordic firmware design |    |    |    |    |    |    |    |    |    |    |    |    |    |    |    |    |    |   |   |   |   |   |   |   |   |   |   |

### 14.1.16 NRFHW[0]

Address offset: 0x050

Reserved for Nordic hardware design

| Bit number       | 31 | 30    | 29       | 28    | 27                                  | 26 | 25 | 24 | 23 | 22 | 21 | 20 | 19 | 18 | 17 | 16 | 15 | 14 | 13 | 12 | 11 | 10 | 9 | 8 | 7 | 6 | 5 | 4 | 3 | 2 | 1 | 0 |
|------------------|----|-------|----------|-------|-------------------------------------|----|----|----|----|----|----|----|----|----|----|----|----|----|----|----|----|----|---|---|---|---|---|---|---|---|---|---|
| Id               | A  | A     | A        | A     | A                                   | A  | A  | A  | A  | A  | A  | A  | A  | A  | A  | A  | A  | A  | A  | A  | A  | A  | A | A | A | A | A | A | A | A | A | A |
| Reset 0xFFFFFFFF | 1  | 1     | 1        | 1     | 1                                   | 1  | 1  | 1  | 1  | 1  | 1  | 1  | 1  | 1  | 1  | 1  | 1  | 1  | 1  | 1  | 1  | 1  | 1 | 1 | 1 | 1 | 1 | 1 | 1 | 1 | 1 | 1 |
| Id               | RW | Field | Value Id | Value | Description                         |    |    |    |    |    |    |    |    |    |    |    |    |    |    |    |    |    |   |   |   |   |   |   |   |   |   |   |
| A                | RW | NRFHW |          |       | Reserved for Nordic hardware design |    |    |    |    |    |    |    |    |    |    |    |    |    |    |    |    |    |   |   |   |   |   |   |   |   |   |   |

### 14.1.17 NRFHW[1]

Address offset: 0x054

Reserved for Nordic hardware design

| Bit number       | 31 | 30    | 29       | 28    | 27                                  | 26 | 25 | 24 | 23 | 22 | 21 | 20 | 19 | 18 | 17 | 16 | 15 | 14 | 13 | 12 | 11 | 10 | 9 | 8 | 7 | 6 | 5 | 4 | 3 | 2 | 1 | 0 |
|------------------|----|-------|----------|-------|-------------------------------------|----|----|----|----|----|----|----|----|----|----|----|----|----|----|----|----|----|---|---|---|---|---|---|---|---|---|---|
| Id               | A  | A     | A        | A     | A                                   | A  | A  | A  | A  | A  | A  | A  | A  | A  | A  | A  | A  | A  | A  | A  | A  | A  | A | A | A | A | A | A | A | A | A | A |
| Reset 0xFFFFFFFF | 1  | 1     | 1        | 1     | 1                                   | 1  | 1  | 1  | 1  | 1  | 1  | 1  | 1  | 1  | 1  | 1  | 1  | 1  | 1  | 1  | 1  | 1  | 1 | 1 | 1 | 1 | 1 | 1 | 1 | 1 | 1 | 1 |
| Id               | RW | Field | Value Id | Value | Description                         |    |    |    |    |    |    |    |    |    |    |    |    |    |    |    |    |    |   |   |   |   |   |   |   |   |   |   |
| A                | RW | NRFHW |          |       | Reserved for Nordic hardware design |    |    |    |    |    |    |    |    |    |    |    |    |    |    |    |    |    |   |   |   |   |   |   |   |   |   |   |

### 14.1.18 NRFHW[2]

Address offset: 0x058

Reserved for Nordic hardware design

| Bit number       | 31 | 30    | 29       | 28    | 27                                  | 26 | 25 | 24 | 23 | 22 | 21 | 20 | 19 | 18 | 17 | 16 | 15 | 14 | 13 | 12 | 11 | 10 | 9 | 8 | 7 | 6 | 5 | 4 | 3 | 2 | 1 | 0 |
|------------------|----|-------|----------|-------|-------------------------------------|----|----|----|----|----|----|----|----|----|----|----|----|----|----|----|----|----|---|---|---|---|---|---|---|---|---|---|
| Id               | A  | A     | A        | A     | A                                   | A  | A  | A  | A  | A  | A  | A  | A  | A  | A  | A  | A  | A  | A  | A  | A  | A  | A | A | A | A | A | A | A | A | A | A |
| Reset 0xFFFFFFFF | 1  | 1     | 1        | 1     | 1                                   | 1  | 1  | 1  | 1  | 1  | 1  | 1  | 1  | 1  | 1  | 1  | 1  | 1  | 1  | 1  | 1  | 1  | 1 | 1 | 1 | 1 | 1 | 1 | 1 | 1 | 1 | 1 |
| Id               | RW | Field | Value Id | Value | Description                         |    |    |    |    |    |    |    |    |    |    |    |    |    |    |    |    |    |   |   |   |   |   |   |   |   |   |   |
| A                | RW | NRFHW |          |       | Reserved for Nordic hardware design |    |    |    |    |    |    |    |    |    |    |    |    |    |    |    |    |    |   |   |   |   |   |   |   |   |   |   |

### 14.1.19 NRFHW[3]

Address offset: 0x05C

Reserved for Nordic hardware design

| Bit number       | 31 | 30    | 29       | 28    | 27                                  | 26 | 25 | 24 | 23 | 22 | 21 | 20 | 19 | 18 | 17 | 16 | 15 | 14 | 13 | 12 | 11 | 10 | 9 | 8 | 7 | 6 | 5 | 4 | 3 | 2 | 1 | 0 |
|------------------|----|-------|----------|-------|-------------------------------------|----|----|----|----|----|----|----|----|----|----|----|----|----|----|----|----|----|---|---|---|---|---|---|---|---|---|---|
| Id               | A  | A     | A        | A     | A                                   | A  | A  | A  | A  | A  | A  | A  | A  | A  | A  | A  | A  | A  | A  | A  | A  | A  | A | A | A | A | A | A | A | A | A | A |
| Reset 0xFFFFFFFF | 1  | 1     | 1        | 1     | 1                                   | 1  | 1  | 1  | 1  | 1  | 1  | 1  | 1  | 1  | 1  | 1  | 1  | 1  | 1  | 1  | 1  | 1  | 1 | 1 | 1 | 1 | 1 | 1 | 1 | 1 | 1 | 1 |
| Id               | RW | Field | Value Id | Value | Description                         |    |    |    |    |    |    |    |    |    |    |    |    |    |    |    |    |    |   |   |   |   |   |   |   |   |   |   |
| A                | RW | NRFHW |          |       | Reserved for Nordic hardware design |    |    |    |    |    |    |    |    |    |    |    |    |    |    |    |    |    |   |   |   |   |   |   |   |   |   |   |

### 14.1.20 NRFHW[4]

Address offset: 0x060

Reserved for Nordic hardware design

| Bit number       | 31 | 30    | 29    | 28 | 27    | 26                                  | 25 | 24 | 23 | 22 | 21 | 20 | 19 | 18 | 17 | 16 | 15 | 14 | 13 | 12 | 11 | 10 | 9 | 8 | 7 | 6 | 5 | 4 | 3 | 2 | 1 | 0 |   |
|------------------|----|-------|-------|----|-------|-------------------------------------|----|----|----|----|----|----|----|----|----|----|----|----|----|----|----|----|---|---|---|---|---|---|---|---|---|---|---|
| Id               | A  | A     | A     | A  | A     | A                                   | A  | A  | A  | A  | A  | A  | A  | A  | A  | A  | A  | A  | A  | A  | A  | A  | A | A | A | A | A | A | A | A | A | A | A |
| Reset 0xFFFFFFFF | 1  | 1     | 1     | 1  | 1     | 1                                   | 1  | 1  | 1  | 1  | 1  | 1  | 1  | 1  | 1  | 1  | 1  | 1  | 1  | 1  | 1  | 1  | 1 | 1 | 1 | 1 | 1 | 1 | 1 | 1 | 1 | 1 |   |
| Id               | RW | Field | Value | Id | Value | Description                         |    |    |    |    |    |    |    |    |    |    |    |    |    |    |    |    |   |   |   |   |   |   |   |   |   |   |   |
| A                | RW | NRFHW |       |    |       | Reserved for Nordic hardware design |    |    |    |    |    |    |    |    |    |    |    |    |    |    |    |    |   |   |   |   |   |   |   |   |   |   |   |

### 14.1.21 NRFHW[5]

Address offset: 0x064

Reserved for Nordic hardware design

| Bit number       | 31 | 30    | 29    | 28 | 27    | 26                                  | 25 | 24 | 23 | 22 | 21 | 20 | 19 | 18 | 17 | 16 | 15 | 14 | 13 | 12 | 11 | 10 | 9 | 8 | 7 | 6 | 5 | 4 | 3 | 2 | 1 | 0 |
|------------------|----|-------|-------|----|-------|-------------------------------------|----|----|----|----|----|----|----|----|----|----|----|----|----|----|----|----|---|---|---|---|---|---|---|---|---|---|
| Id               | A  | A     | A     | A  | A     | A                                   | A  | A  | A  | A  | A  | A  | A  | A  | A  | A  | A  | A  | A  | A  | A  | A  | A | A | A | A | A | A | A | A | A | A |
| Reset 0xFFFFFFFF | 1  | 1     | 1     | 1  | 1     | 1                                   | 1  | 1  | 1  | 1  | 1  | 1  | 1  | 1  | 1  | 1  | 1  | 1  | 1  | 1  | 1  | 1  | 1 | 1 | 1 | 1 | 1 | 1 | 1 | 1 | 1 | 1 |
| Id               | RW | Field | Value | Id | Value | Description                         |    |    |    |    |    |    |    |    |    |    |    |    |    |    |    |    |   |   |   |   |   |   |   |   |   |   |
| A                | RW | NRFHW |       |    |       | Reserved for Nordic hardware design |    |    |    |    |    |    |    |    |    |    |    |    |    |    |    |    |   |   |   |   |   |   |   |   |   |   |

### 14.1.22 NRFHW[6]

Address offset: 0x068

Reserved for Nordic hardware design

| Bit number       | 31 | 30    | 29    | 28 | 27    | 26                                  | 25 | 24 | 23 | 22 | 21 | 20 | 19 | 18 | 17 | 16 | 15 | 14 | 13 | 12 | 11 | 10 | 9 | 8 | 7 | 6 | 5 | 4 | 3 | 2 | 1 | 0 |
|------------------|----|-------|-------|----|-------|-------------------------------------|----|----|----|----|----|----|----|----|----|----|----|----|----|----|----|----|---|---|---|---|---|---|---|---|---|---|
| Id               | A  | A     | A     | A  | A     | A                                   | A  | A  | A  | A  | A  | A  | A  | A  | A  | A  | A  | A  | A  | A  | A  | A  | A | A | A | A | A | A | A | A | A | A |
| Reset 0xFFFFFFFF | 1  | 1     | 1     | 1  | 1     | 1                                   | 1  | 1  | 1  | 1  | 1  | 1  | 1  | 1  | 1  | 1  | 1  | 1  | 1  | 1  | 1  | 1  | 1 | 1 | 1 | 1 | 1 | 1 | 1 | 1 | 1 | 1 |
| Id               | RW | Field | Value | Id | Value | Description                         |    |    |    |    |    |    |    |    |    |    |    |    |    |    |    |    |   |   |   |   |   |   |   |   |   |   |
| A                | RW | NRFHW |       |    |       | Reserved for Nordic hardware design |    |    |    |    |    |    |    |    |    |    |    |    |    |    |    |    |   |   |   |   |   |   |   |   |   |   |

### 14.1.23 NRFHW[7]

Address offset: 0x06C

Reserved for Nordic hardware design

| Bit number       | 31 | 30    | 29    | 28 | 27    | 26                                  | 25 | 24 | 23 | 22 | 21 | 20 | 19 | 18 | 17 | 16 | 15 | 14 | 13 | 12 | 11 | 10 | 9 | 8 | 7 | 6 | 5 | 4 | 3 | 2 | 1 | 0 |
|------------------|----|-------|-------|----|-------|-------------------------------------|----|----|----|----|----|----|----|----|----|----|----|----|----|----|----|----|---|---|---|---|---|---|---|---|---|---|
| Id               | A  | A     | A     | A  | A     | A                                   | A  | A  | A  | A  | A  | A  | A  | A  | A  | A  | A  | A  | A  | A  | A  | A  | A | A | A | A | A | A | A | A | A | A |
| Reset 0xFFFFFFFF | 1  | 1     | 1     | 1  | 1     | 1                                   | 1  | 1  | 1  | 1  | 1  | 1  | 1  | 1  | 1  | 1  | 1  | 1  | 1  | 1  | 1  | 1  | 1 | 1 | 1 | 1 | 1 | 1 | 1 | 1 | 1 | 1 |
| Id               | RW | Field | Value | Id | Value | Description                         |    |    |    |    |    |    |    |    |    |    |    |    |    |    |    |    |   |   |   |   |   |   |   |   |   |   |
| A                | RW | NRFHW |       |    |       | Reserved for Nordic hardware design |    |    |    |    |    |    |    |    |    |    |    |    |    |    |    |    |   |   |   |   |   |   |   |   |   |   |

### 14.1.24 NRFHW[8]

Address offset: 0x070

Reserved for Nordic hardware design

| Bit number       | 31 | 30    | 29    | 28 | 27    | 26                                  | 25 | 24 | 23 | 22 | 21 | 20 | 19 | 18 | 17 | 16 | 15 | 14 | 13 | 12 | 11 | 10 | 9 | 8 | 7 | 6 | 5 | 4 | 3 | 2 | 1 | 0 |
|------------------|----|-------|-------|----|-------|-------------------------------------|----|----|----|----|----|----|----|----|----|----|----|----|----|----|----|----|---|---|---|---|---|---|---|---|---|---|
| Id               | A  | A     | A     | A  | A     | A                                   | A  | A  | A  | A  | A  | A  | A  | A  | A  | A  | A  | A  | A  | A  | A  | A  | A | A | A | A | A | A | A | A | A | A |
| Reset 0xFFFFFFFF | 1  | 1     | 1     | 1  | 1     | 1                                   | 1  | 1  | 1  | 1  | 1  | 1  | 1  | 1  | 1  | 1  | 1  | 1  | 1  | 1  | 1  | 1  | 1 | 1 | 1 | 1 | 1 | 1 | 1 | 1 | 1 | 1 |
| Id               | RW | Field | Value | Id | Value | Description                         |    |    |    |    |    |    |    |    |    |    |    |    |    |    |    |    |   |   |   |   |   |   |   |   |   |   |
| A                | RW | NRFHW |       |    |       | Reserved for Nordic hardware design |    |    |    |    |    |    |    |    |    |    |    |    |    |    |    |    |   |   |   |   |   |   |   |   |   |   |

### 14.1.25 NRFHW[9]

Address offset: 0x074

Reserved for Nordic hardware design

| Bit number       | 31 | 30    | 29       | 28    | 27                                  | 26 | 25 | 24 | 23 | 22 | 21 | 20 | 19 | 18 | 17 | 16 | 15 | 14 | 13 | 12 | 11 | 10 | 9 | 8 | 7 | 6 | 5 | 4 | 3 | 2 | 1 | 0 |   |
|------------------|----|-------|----------|-------|-------------------------------------|----|----|----|----|----|----|----|----|----|----|----|----|----|----|----|----|----|---|---|---|---|---|---|---|---|---|---|---|
| Id               | A  | A     | A        | A     | A                                   | A  | A  | A  | A  | A  | A  | A  | A  | A  | A  | A  | A  | A  | A  | A  | A  | A  | A | A | A | A | A | A | A | A | A | A | A |
| Reset 0xFFFFFFFF | 1  | 1     | 1        | 1     | 1                                   | 1  | 1  | 1  | 1  | 1  | 1  | 1  | 1  | 1  | 1  | 1  | 1  | 1  | 1  | 1  | 1  | 1  | 1 | 1 | 1 | 1 | 1 | 1 | 1 | 1 | 1 | 1 |   |
| Id               | RW | Field | Value Id | Value | Description                         |    |    |    |    |    |    |    |    |    |    |    |    |    |    |    |    |    |   |   |   |   |   |   |   |   |   |   |   |
| A                | RW | NRFHW |          |       | Reserved for Nordic hardware design |    |    |    |    |    |    |    |    |    |    |    |    |    |    |    |    |    |   |   |   |   |   |   |   |   |   |   |   |

### 14.1.26 NRFHW[10]

Address offset: 0x078

Reserved for Nordic hardware design

| Bit number       | 31 | 30    | 29       | 28    | 27                                  | 26 | 25 | 24 | 23 | 22 | 21 | 20 | 19 | 18 | 17 | 16 | 15 | 14 | 13 | 12 | 11 | 10 | 9 | 8 | 7 | 6 | 5 | 4 | 3 | 2 | 1 | 0 |
|------------------|----|-------|----------|-------|-------------------------------------|----|----|----|----|----|----|----|----|----|----|----|----|----|----|----|----|----|---|---|---|---|---|---|---|---|---|---|
| Id               | A  | A     | A        | A     | A                                   | A  | A  | A  | A  | A  | A  | A  | A  | A  | A  | A  | A  | A  | A  | A  | A  | A  | A | A | A | A | A | A | A | A | A | A |
| Reset 0xFFFFFFFF | 1  | 1     | 1        | 1     | 1                                   | 1  | 1  | 1  | 1  | 1  | 1  | 1  | 1  | 1  | 1  | 1  | 1  | 1  | 1  | 1  | 1  | 1  | 1 | 1 | 1 | 1 | 1 | 1 | 1 | 1 | 1 | 1 |
| Id               | RW | Field | Value Id | Value | Description                         |    |    |    |    |    |    |    |    |    |    |    |    |    |    |    |    |    |   |   |   |   |   |   |   |   |   |   |
| A                | RW | NRFHW |          |       | Reserved for Nordic hardware design |    |    |    |    |    |    |    |    |    |    |    |    |    |    |    |    |    |   |   |   |   |   |   |   |   |   |   |

### 14.1.27 NRFHW[11]

Address offset: 0x07C

Reserved for Nordic hardware design

| Bit number       | 31 | 30    | 29       | 28    | 27                                  | 26 | 25 | 24 | 23 | 22 | 21 | 20 | 19 | 18 | 17 | 16 | 15 | 14 | 13 | 12 | 11 | 10 | 9 | 8 | 7 | 6 | 5 | 4 | 3 | 2 | 1 | 0 |
|------------------|----|-------|----------|-------|-------------------------------------|----|----|----|----|----|----|----|----|----|----|----|----|----|----|----|----|----|---|---|---|---|---|---|---|---|---|---|
| Id               | A  | A     | A        | A     | A                                   | A  | A  | A  | A  | A  | A  | A  | A  | A  | A  | A  | A  | A  | A  | A  | A  | A  | A | A | A | A | A | A | A | A | A | A |
| Reset 0xFFFFFFFF | 1  | 1     | 1        | 1     | 1                                   | 1  | 1  | 1  | 1  | 1  | 1  | 1  | 1  | 1  | 1  | 1  | 1  | 1  | 1  | 1  | 1  | 1  | 1 | 1 | 1 | 1 | 1 | 1 | 1 | 1 | 1 | 1 |
| Id               | RW | Field | Value Id | Value | Description                         |    |    |    |    |    |    |    |    |    |    |    |    |    |    |    |    |    |   |   |   |   |   |   |   |   |   |   |
| A                | RW | NRFHW |          |       | Reserved for Nordic hardware design |    |    |    |    |    |    |    |    |    |    |    |    |    |    |    |    |    |   |   |   |   |   |   |   |   |   |   |

### 14.1.28 CUSTOMER[0]

Address offset: 0x080

Reserved for customer

| Bit number       | 31 | 30       | 29       | 28    | 27                    | 26 | 25 | 24 | 23 | 22 | 21 | 20 | 19 | 18 | 17 | 16 | 15 | 14 | 13 | 12 | 11 | 10 | 9 | 8 | 7 | 6 | 5 | 4 | 3 | 2 | 1 | 0 |
|------------------|----|----------|----------|-------|-----------------------|----|----|----|----|----|----|----|----|----|----|----|----|----|----|----|----|----|---|---|---|---|---|---|---|---|---|---|
| Id               | A  | A        | A        | A     | A                     | A  | A  | A  | A  | A  | A  | A  | A  | A  | A  | A  | A  | A  | A  | A  | A  | A  | A | A | A | A | A | A | A | A | A | A |
| Reset 0xFFFFFFFF | 1  | 1        | 1        | 1     | 1                     | 1  | 1  | 1  | 1  | 1  | 1  | 1  | 1  | 1  | 1  | 1  | 1  | 1  | 1  | 1  | 1  | 1  | 1 | 1 | 1 | 1 | 1 | 1 | 1 | 1 | 1 | 1 |
| Id               | RW | Field    | Value Id | Value | Description           |    |    |    |    |    |    |    |    |    |    |    |    |    |    |    |    |    |   |   |   |   |   |   |   |   |   |   |
| A                | RW | CUSTOMER |          |       | Reserved for customer |    |    |    |    |    |    |    |    |    |    |    |    |    |    |    |    |    |   |   |   |   |   |   |   |   |   |   |

### 14.1.29 CUSTOMER[1]

Address offset: 0x084

Reserved for customer

| Bit number       | 31 | 30       | 29       | 28    | 27                    | 26 | 25 | 24 | 23 | 22 | 21 | 20 | 19 | 18 | 17 | 16 | 15 | 14 | 13 | 12 | 11 | 10 | 9 | 8 | 7 | 6 | 5 | 4 | 3 | 2 | 1 | 0 |
|------------------|----|----------|----------|-------|-----------------------|----|----|----|----|----|----|----|----|----|----|----|----|----|----|----|----|----|---|---|---|---|---|---|---|---|---|---|
| Id               | A  | A        | A        | A     | A                     | A  | A  | A  | A  | A  | A  | A  | A  | A  | A  | A  | A  | A  | A  | A  | A  | A  | A | A | A | A | A | A | A | A | A | A |
| Reset 0xFFFFFFFF | 1  | 1        | 1        | 1     | 1                     | 1  | 1  | 1  | 1  | 1  | 1  | 1  | 1  | 1  | 1  | 1  | 1  | 1  | 1  | 1  | 1  | 1  | 1 | 1 | 1 | 1 | 1 | 1 | 1 | 1 | 1 | 1 |
| Id               | RW | Field    | Value Id | Value | Description           |    |    |    |    |    |    |    |    |    |    |    |    |    |    |    |    |    |   |   |   |   |   |   |   |   |   |   |
| A                | RW | CUSTOMER |          |       | Reserved for customer |    |    |    |    |    |    |    |    |    |    |    |    |    |    |    |    |    |   |   |   |   |   |   |   |   |   |   |

### 14.1.30 CUSTOMER[2]

Address offset: 0x088

Reserved for customer

| Bit number       | 31 | 30       | 29       | 28    | 27                    | 26 | 25 | 24 | 23 | 22 | 21 | 20 | 19 | 18 | 17 | 16 | 15 | 14 | 13 | 12 | 11 | 10 | 9 | 8 | 7 | 6 | 5 | 4 | 3 | 2 | 1 | 0 |
|------------------|----|----------|----------|-------|-----------------------|----|----|----|----|----|----|----|----|----|----|----|----|----|----|----|----|----|---|---|---|---|---|---|---|---|---|---|
| Id               | A  | A        | A        | A     | A                     | A  | A  | A  | A  | A  | A  | A  | A  | A  | A  | A  | A  | A  | A  | A  | A  | A  | A | A | A | A | A | A | A | A | A | A |
| Reset 0xFFFFFFFF | 1  | 1        | 1        | 1     | 1                     | 1  | 1  | 1  | 1  | 1  | 1  | 1  | 1  | 1  | 1  | 1  | 1  | 1  | 1  | 1  | 1  | 1  | 1 | 1 | 1 | 1 | 1 | 1 | 1 | 1 | 1 | 1 |
| Id               | RW | Field    | Value Id | Value | Description           |    |    |    |    |    |    |    |    |    |    |    |    |    |    |    |    |    |   |   |   |   |   |   |   |   |   |   |
| A                | RW | CUSTOMER |          |       | Reserved for customer |    |    |    |    |    |    |    |    |    |    |    |    |    |    |    |    |    |   |   |   |   |   |   |   |   |   |   |

### 14.1.31 CUSTOMER[3]

Address offset: 0x08C

Reserved for customer

| Bit number       | 31 | 30       | 29    | 28 | 27    | 26                    | 25 | 24 | 23 | 22 | 21 | 20 | 19 | 18 | 17 | 16 | 15 | 14 | 13 | 12 | 11 | 10 | 9 | 8 | 7 | 6 | 5 | 4 | 3 | 2 | 1 | 0 |   |
|------------------|----|----------|-------|----|-------|-----------------------|----|----|----|----|----|----|----|----|----|----|----|----|----|----|----|----|---|---|---|---|---|---|---|---|---|---|---|
| Id               | A  | A        | A     | A  | A     | A                     | A  | A  | A  | A  | A  | A  | A  | A  | A  | A  | A  | A  | A  | A  | A  | A  | A | A | A | A | A | A | A | A | A | A | A |
| Reset 0xFFFFFFFF | 1  | 1        | 1     | 1  | 1     | 1                     | 1  | 1  | 1  | 1  | 1  | 1  | 1  | 1  | 1  | 1  | 1  | 1  | 1  | 1  | 1  | 1  | 1 | 1 | 1 | 1 | 1 | 1 | 1 | 1 | 1 | 1 |   |
| Id               | RW | Field    | Value | Id | Value | Description           |    |    |    |    |    |    |    |    |    |    |    |    |    |    |    |    |   |   |   |   |   |   |   |   |   |   |   |
| A                | RW | CUSTOMER |       |    |       | Reserved for customer |    |    |    |    |    |    |    |    |    |    |    |    |    |    |    |    |   |   |   |   |   |   |   |   |   |   |   |

### 14.1.32 CUSTOMER[4]

Address offset: 0x090

Reserved for customer

| Bit number       | 31 | 30       | 29    | 28 | 27    | 26                    | 25 | 24 | 23 | 22 | 21 | 20 | 19 | 18 | 17 | 16 | 15 | 14 | 13 | 12 | 11 | 10 | 9 | 8 | 7 | 6 | 5 | 4 | 3 | 2 | 1 | 0 |
|------------------|----|----------|-------|----|-------|-----------------------|----|----|----|----|----|----|----|----|----|----|----|----|----|----|----|----|---|---|---|---|---|---|---|---|---|---|
| Id               | A  | A        | A     | A  | A     | A                     | A  | A  | A  | A  | A  | A  | A  | A  | A  | A  | A  | A  | A  | A  | A  | A  | A | A | A | A | A | A | A | A | A | A |
| Reset 0xFFFFFFFF | 1  | 1        | 1     | 1  | 1     | 1                     | 1  | 1  | 1  | 1  | 1  | 1  | 1  | 1  | 1  | 1  | 1  | 1  | 1  | 1  | 1  | 1  | 1 | 1 | 1 | 1 | 1 | 1 | 1 | 1 | 1 | 1 |
| Id               | RW | Field    | Value | Id | Value | Description           |    |    |    |    |    |    |    |    |    |    |    |    |    |    |    |    |   |   |   |   |   |   |   |   |   |   |
| A                | RW | CUSTOMER |       |    |       | Reserved for customer |    |    |    |    |    |    |    |    |    |    |    |    |    |    |    |    |   |   |   |   |   |   |   |   |   |   |

### 14.1.33 CUSTOMER[5]

Address offset: 0x094

Reserved for customer

| Bit number       | 31 | 30       | 29    | 28 | 27    | 26                    | 25 | 24 | 23 | 22 | 21 | 20 | 19 | 18 | 17 | 16 | 15 | 14 | 13 | 12 | 11 | 10 | 9 | 8 | 7 | 6 | 5 | 4 | 3 | 2 | 1 | 0 |
|------------------|----|----------|-------|----|-------|-----------------------|----|----|----|----|----|----|----|----|----|----|----|----|----|----|----|----|---|---|---|---|---|---|---|---|---|---|
| Id               | A  | A        | A     | A  | A     | A                     | A  | A  | A  | A  | A  | A  | A  | A  | A  | A  | A  | A  | A  | A  | A  | A  | A | A | A | A | A | A | A | A | A | A |
| Reset 0xFFFFFFFF | 1  | 1        | 1     | 1  | 1     | 1                     | 1  | 1  | 1  | 1  | 1  | 1  | 1  | 1  | 1  | 1  | 1  | 1  | 1  | 1  | 1  | 1  | 1 | 1 | 1 | 1 | 1 | 1 | 1 | 1 | 1 | 1 |
| Id               | RW | Field    | Value | Id | Value | Description           |    |    |    |    |    |    |    |    |    |    |    |    |    |    |    |    |   |   |   |   |   |   |   |   |   |   |
| A                | RW | CUSTOMER |       |    |       | Reserved for customer |    |    |    |    |    |    |    |    |    |    |    |    |    |    |    |    |   |   |   |   |   |   |   |   |   |   |

### 14.1.34 CUSTOMER[6]

Address offset: 0x098

Reserved for customer

| Bit number       | 31 | 30       | 29    | 28 | 27    | 26                    | 25 | 24 | 23 | 22 | 21 | 20 | 19 | 18 | 17 | 16 | 15 | 14 | 13 | 12 | 11 | 10 | 9 | 8 | 7 | 6 | 5 | 4 | 3 | 2 | 1 | 0 |
|------------------|----|----------|-------|----|-------|-----------------------|----|----|----|----|----|----|----|----|----|----|----|----|----|----|----|----|---|---|---|---|---|---|---|---|---|---|
| Id               | A  | A        | A     | A  | A     | A                     | A  | A  | A  | A  | A  | A  | A  | A  | A  | A  | A  | A  | A  | A  | A  | A  | A | A | A | A | A | A | A | A | A | A |
| Reset 0xFFFFFFFF | 1  | 1        | 1     | 1  | 1     | 1                     | 1  | 1  | 1  | 1  | 1  | 1  | 1  | 1  | 1  | 1  | 1  | 1  | 1  | 1  | 1  | 1  | 1 | 1 | 1 | 1 | 1 | 1 | 1 | 1 | 1 | 1 |
| Id               | RW | Field    | Value | Id | Value | Description           |    |    |    |    |    |    |    |    |    |    |    |    |    |    |    |    |   |   |   |   |   |   |   |   |   |   |
| A                | RW | CUSTOMER |       |    |       | Reserved for customer |    |    |    |    |    |    |    |    |    |    |    |    |    |    |    |    |   |   |   |   |   |   |   |   |   |   |

### 14.1.35 CUSTOMER[7]

Address offset: 0x09C

Reserved for customer

| Bit number       | 31 | 30       | 29    | 28 | 27    | 26                    | 25 | 24 | 23 | 22 | 21 | 20 | 19 | 18 | 17 | 16 | 15 | 14 | 13 | 12 | 11 | 10 | 9 | 8 | 7 | 6 | 5 | 4 | 3 | 2 | 1 | 0 |
|------------------|----|----------|-------|----|-------|-----------------------|----|----|----|----|----|----|----|----|----|----|----|----|----|----|----|----|---|---|---|---|---|---|---|---|---|---|
| Id               | A  | A        | A     | A  | A     | A                     | A  | A  | A  | A  | A  | A  | A  | A  | A  | A  | A  | A  | A  | A  | A  | A  | A | A | A | A | A | A | A | A | A | A |
| Reset 0xFFFFFFFF | 1  | 1        | 1     | 1  | 1     | 1                     | 1  | 1  | 1  | 1  | 1  | 1  | 1  | 1  | 1  | 1  | 1  | 1  | 1  | 1  | 1  | 1  | 1 | 1 | 1 | 1 | 1 | 1 | 1 | 1 | 1 | 1 |
| Id               | RW | Field    | Value | Id | Value | Description           |    |    |    |    |    |    |    |    |    |    |    |    |    |    |    |    |   |   |   |   |   |   |   |   |   |   |
| A                | RW | CUSTOMER |       |    |       | Reserved for customer |    |    |    |    |    |    |    |    |    |    |    |    |    |    |    |    |   |   |   |   |   |   |   |   |   |   |

### 14.1.36 CUSTOMER[8]

Address offset: 0x0A0

Reserved for customer

| Bit number       | 31 | 30       | 29       | 28    | 27                    | 26 | 25 | 24 | 23 | 22 | 21 | 20 | 19 | 18 | 17 | 16 | 15 | 14 | 13 | 12 | 11 | 10 | 9 | 8 | 7 | 6 | 5 | 4 | 3 | 2 | 1 | 0 |   |
|------------------|----|----------|----------|-------|-----------------------|----|----|----|----|----|----|----|----|----|----|----|----|----|----|----|----|----|---|---|---|---|---|---|---|---|---|---|---|
| Id               | A  | A        | A        | A     | A                     | A  | A  | A  | A  | A  | A  | A  | A  | A  | A  | A  | A  | A  | A  | A  | A  | A  | A | A | A | A | A | A | A | A | A | A | A |
| Reset 0xFFFFFFFF | 1  | 1        | 1        | 1     | 1                     | 1  | 1  | 1  | 1  | 1  | 1  | 1  | 1  | 1  | 1  | 1  | 1  | 1  | 1  | 1  | 1  | 1  | 1 | 1 | 1 | 1 | 1 | 1 | 1 | 1 | 1 | 1 |   |
| Id               | RW | Field    | Value Id | Value | Description           |    |    |    |    |    |    |    |    |    |    |    |    |    |    |    |    |    |   |   |   |   |   |   |   |   |   |   |   |
| A                | RW | CUSTOMER |          |       | Reserved for customer |    |    |    |    |    |    |    |    |    |    |    |    |    |    |    |    |    |   |   |   |   |   |   |   |   |   |   |   |

### 14.1.37 CUSTOMER[9]

Address offset: 0x0A4

Reserved for customer

| Bit number       | 31 | 30       | 29       | 28    | 27                    | 26 | 25 | 24 | 23 | 22 | 21 | 20 | 19 | 18 | 17 | 16 | 15 | 14 | 13 | 12 | 11 | 10 | 9 | 8 | 7 | 6 | 5 | 4 | 3 | 2 | 1 | 0 |
|------------------|----|----------|----------|-------|-----------------------|----|----|----|----|----|----|----|----|----|----|----|----|----|----|----|----|----|---|---|---|---|---|---|---|---|---|---|
| Id               | A  | A        | A        | A     | A                     | A  | A  | A  | A  | A  | A  | A  | A  | A  | A  | A  | A  | A  | A  | A  | A  | A  | A | A | A | A | A | A | A | A | A | A |
| Reset 0xFFFFFFFF | 1  | 1        | 1        | 1     | 1                     | 1  | 1  | 1  | 1  | 1  | 1  | 1  | 1  | 1  | 1  | 1  | 1  | 1  | 1  | 1  | 1  | 1  | 1 | 1 | 1 | 1 | 1 | 1 | 1 | 1 | 1 | 1 |
| Id               | RW | Field    | Value Id | Value | Description           |    |    |    |    |    |    |    |    |    |    |    |    |    |    |    |    |    |   |   |   |   |   |   |   |   |   |   |
| A                | RW | CUSTOMER |          |       | Reserved for customer |    |    |    |    |    |    |    |    |    |    |    |    |    |    |    |    |    |   |   |   |   |   |   |   |   |   |   |

### 14.1.38 CUSTOMER[10]

Address offset: 0x0A8

Reserved for customer

| Bit number       | 31 | 30       | 29       | 28    | 27                    | 26 | 25 | 24 | 23 | 22 | 21 | 20 | 19 | 18 | 17 | 16 | 15 | 14 | 13 | 12 | 11 | 10 | 9 | 8 | 7 | 6 | 5 | 4 | 3 | 2 | 1 | 0 |
|------------------|----|----------|----------|-------|-----------------------|----|----|----|----|----|----|----|----|----|----|----|----|----|----|----|----|----|---|---|---|---|---|---|---|---|---|---|
| Id               | A  | A        | A        | A     | A                     | A  | A  | A  | A  | A  | A  | A  | A  | A  | A  | A  | A  | A  | A  | A  | A  | A  | A | A | A | A | A | A | A | A | A | A |
| Reset 0xFFFFFFFF | 1  | 1        | 1        | 1     | 1                     | 1  | 1  | 1  | 1  | 1  | 1  | 1  | 1  | 1  | 1  | 1  | 1  | 1  | 1  | 1  | 1  | 1  | 1 | 1 | 1 | 1 | 1 | 1 | 1 | 1 | 1 | 1 |
| Id               | RW | Field    | Value Id | Value | Description           |    |    |    |    |    |    |    |    |    |    |    |    |    |    |    |    |    |   |   |   |   |   |   |   |   |   |   |
| A                | RW | CUSTOMER |          |       | Reserved for customer |    |    |    |    |    |    |    |    |    |    |    |    |    |    |    |    |    |   |   |   |   |   |   |   |   |   |   |

### 14.1.39 CUSTOMER[11]

Address offset: 0x0AC

Reserved for customer

| Bit number       | 31 | 30       | 29       | 28    | 27                    | 26 | 25 | 24 | 23 | 22 | 21 | 20 | 19 | 18 | 17 | 16 | 15 | 14 | 13 | 12 | 11 | 10 | 9 | 8 | 7 | 6 | 5 | 4 | 3 | 2 | 1 | 0 |
|------------------|----|----------|----------|-------|-----------------------|----|----|----|----|----|----|----|----|----|----|----|----|----|----|----|----|----|---|---|---|---|---|---|---|---|---|---|
| Id               | A  | A        | A        | A     | A                     | A  | A  | A  | A  | A  | A  | A  | A  | A  | A  | A  | A  | A  | A  | A  | A  | A  | A | A | A | A | A | A | A | A | A | A |
| Reset 0xFFFFFFFF | 1  | 1        | 1        | 1     | 1                     | 1  | 1  | 1  | 1  | 1  | 1  | 1  | 1  | 1  | 1  | 1  | 1  | 1  | 1  | 1  | 1  | 1  | 1 | 1 | 1 | 1 | 1 | 1 | 1 | 1 | 1 | 1 |
| Id               | RW | Field    | Value Id | Value | Description           |    |    |    |    |    |    |    |    |    |    |    |    |    |    |    |    |    |   |   |   |   |   |   |   |   |   |   |
| A                | RW | CUSTOMER |          |       | Reserved for customer |    |    |    |    |    |    |    |    |    |    |    |    |    |    |    |    |    |   |   |   |   |   |   |   |   |   |   |

### 14.1.40 CUSTOMER[12]

Address offset: 0x0B0

Reserved for customer

| Bit number       | 31 | 30       | 29       | 28    | 27                    | 26 | 25 | 24 | 23 | 22 | 21 | 20 | 19 | 18 | 17 | 16 | 15 | 14 | 13 | 12 | 11 | 10 | 9 | 8 | 7 | 6 | 5 | 4 | 3 | 2 | 1 | 0 |
|------------------|----|----------|----------|-------|-----------------------|----|----|----|----|----|----|----|----|----|----|----|----|----|----|----|----|----|---|---|---|---|---|---|---|---|---|---|
| Id               | A  | A        | A        | A     | A                     | A  | A  | A  | A  | A  | A  | A  | A  | A  | A  | A  | A  | A  | A  | A  | A  | A  | A | A | A | A | A | A | A | A | A | A |
| Reset 0xFFFFFFFF | 1  | 1        | 1        | 1     | 1                     | 1  | 1  | 1  | 1  | 1  | 1  | 1  | 1  | 1  | 1  | 1  | 1  | 1  | 1  | 1  | 1  | 1  | 1 | 1 | 1 | 1 | 1 | 1 | 1 | 1 | 1 | 1 |
| Id               | RW | Field    | Value Id | Value | Description           |    |    |    |    |    |    |    |    |    |    |    |    |    |    |    |    |    |   |   |   |   |   |   |   |   |   |   |
| A                | RW | CUSTOMER |          |       | Reserved for customer |    |    |    |    |    |    |    |    |    |    |    |    |    |    |    |    |    |   |   |   |   |   |   |   |   |   |   |

### 14.1.41 CUSTOMER[13]

Address offset: 0x0B4

Reserved for customer

| Bit number       | 31 | 30       | 29       | 28    | 27                    | 26 | 25 | 24 | 23 | 22 | 21 | 20 | 19 | 18 | 17 | 16 | 15 | 14 | 13 | 12 | 11 | 10 | 9 | 8 | 7 | 6 | 5 | 4 | 3 | 2 | 1 | 0 |
|------------------|----|----------|----------|-------|-----------------------|----|----|----|----|----|----|----|----|----|----|----|----|----|----|----|----|----|---|---|---|---|---|---|---|---|---|---|
| Id               | A  | A        | A        | A     | A                     | A  | A  | A  | A  | A  | A  | A  | A  | A  | A  | A  | A  | A  | A  | A  | A  | A  | A | A | A | A | A | A | A | A | A | A |
| Reset 0xFFFFFFFF | 1  | 1        | 1        | 1     | 1                     | 1  | 1  | 1  | 1  | 1  | 1  | 1  | 1  | 1  | 1  | 1  | 1  | 1  | 1  | 1  | 1  | 1  | 1 | 1 | 1 | 1 | 1 | 1 | 1 | 1 | 1 | 1 |
| Id               | RW | Field    | Value Id | Value | Description           |    |    |    |    |    |    |    |    |    |    |    |    |    |    |    |    |    |   |   |   |   |   |   |   |   |   |   |
| A                | RW | CUSTOMER |          |       | Reserved for customer |    |    |    |    |    |    |    |    |    |    |    |    |    |    |    |    |    |   |   |   |   |   |   |   |   |   |   |

### 14.1.42 CUSTOMER[14]

Address offset: 0x0B8

Reserved for customer

| Bit number       | 31 | 30       | 29    | 28 | 27    | 26                    | 25 | 24 | 23 | 22 | 21 | 20 | 19 | 18 | 17 | 16 | 15 | 14 | 13 | 12 | 11 | 10 | 9 | 8 | 7 | 6 | 5 | 4 | 3 | 2 | 1 | 0 |   |
|------------------|----|----------|-------|----|-------|-----------------------|----|----|----|----|----|----|----|----|----|----|----|----|----|----|----|----|---|---|---|---|---|---|---|---|---|---|---|
| Id               | A  | A        | A     | A  | A     | A                     | A  | A  | A  | A  | A  | A  | A  | A  | A  | A  | A  | A  | A  | A  | A  | A  | A | A | A | A | A | A | A | A | A | A | A |
| Reset 0xFFFFFFFF | 1  | 1        | 1     | 1  | 1     | 1                     | 1  | 1  | 1  | 1  | 1  | 1  | 1  | 1  | 1  | 1  | 1  | 1  | 1  | 1  | 1  | 1  | 1 | 1 | 1 | 1 | 1 | 1 | 1 | 1 | 1 | 1 |   |
| Id               | RW | Field    | Value | Id | Value | Description           |    |    |    |    |    |    |    |    |    |    |    |    |    |    |    |    |   |   |   |   |   |   |   |   |   |   |   |
| A                | RW | CUSTOMER |       |    |       | Reserved for customer |    |    |    |    |    |    |    |    |    |    |    |    |    |    |    |    |   |   |   |   |   |   |   |   |   |   |   |

### 14.1.43 CUSTOMER[15]

Address offset: 0x0BC

Reserved for customer

| Bit number       | 31 | 30       | 29    | 28 | 27    | 26                    | 25 | 24 | 23 | 22 | 21 | 20 | 19 | 18 | 17 | 16 | 15 | 14 | 13 | 12 | 11 | 10 | 9 | 8 | 7 | 6 | 5 | 4 | 3 | 2 | 1 | 0 |
|------------------|----|----------|-------|----|-------|-----------------------|----|----|----|----|----|----|----|----|----|----|----|----|----|----|----|----|---|---|---|---|---|---|---|---|---|---|
| Id               | A  | A        | A     | A  | A     | A                     | A  | A  | A  | A  | A  | A  | A  | A  | A  | A  | A  | A  | A  | A  | A  | A  | A | A | A | A | A | A | A | A | A | A |
| Reset 0xFFFFFFFF | 1  | 1        | 1     | 1  | 1     | 1                     | 1  | 1  | 1  | 1  | 1  | 1  | 1  | 1  | 1  | 1  | 1  | 1  | 1  | 1  | 1  | 1  | 1 | 1 | 1 | 1 | 1 | 1 | 1 | 1 | 1 | 1 |
| Id               | RW | Field    | Value | Id | Value | Description           |    |    |    |    |    |    |    |    |    |    |    |    |    |    |    |    |   |   |   |   |   |   |   |   |   |   |
| A                | RW | CUSTOMER |       |    |       | Reserved for customer |    |    |    |    |    |    |    |    |    |    |    |    |    |    |    |    |   |   |   |   |   |   |   |   |   |   |

### 14.1.44 CUSTOMER[16]

Address offset: 0x0C0

Reserved for customer

| Bit number       | 31 | 30       | 29    | 28 | 27    | 26                    | 25 | 24 | 23 | 22 | 21 | 20 | 19 | 18 | 17 | 16 | 15 | 14 | 13 | 12 | 11 | 10 | 9 | 8 | 7 | 6 | 5 | 4 | 3 | 2 | 1 | 0 |
|------------------|----|----------|-------|----|-------|-----------------------|----|----|----|----|----|----|----|----|----|----|----|----|----|----|----|----|---|---|---|---|---|---|---|---|---|---|
| Id               | A  | A        | A     | A  | A     | A                     | A  | A  | A  | A  | A  | A  | A  | A  | A  | A  | A  | A  | A  | A  | A  | A  | A | A | A | A | A | A | A | A | A | A |
| Reset 0xFFFFFFFF | 1  | 1        | 1     | 1  | 1     | 1                     | 1  | 1  | 1  | 1  | 1  | 1  | 1  | 1  | 1  | 1  | 1  | 1  | 1  | 1  | 1  | 1  | 1 | 1 | 1 | 1 | 1 | 1 | 1 | 1 | 1 | 1 |
| Id               | RW | Field    | Value | Id | Value | Description           |    |    |    |    |    |    |    |    |    |    |    |    |    |    |    |    |   |   |   |   |   |   |   |   |   |   |
| A                | RW | CUSTOMER |       |    |       | Reserved for customer |    |    |    |    |    |    |    |    |    |    |    |    |    |    |    |    |   |   |   |   |   |   |   |   |   |   |

### 14.1.45 CUSTOMER[17]

Address offset: 0x0C4

Reserved for customer

| Bit number       | 31 | 30       | 29    | 28 | 27    | 26                    | 25 | 24 | 23 | 22 | 21 | 20 | 19 | 18 | 17 | 16 | 15 | 14 | 13 | 12 | 11 | 10 | 9 | 8 | 7 | 6 | 5 | 4 | 3 | 2 | 1 | 0 |
|------------------|----|----------|-------|----|-------|-----------------------|----|----|----|----|----|----|----|----|----|----|----|----|----|----|----|----|---|---|---|---|---|---|---|---|---|---|
| Id               | A  | A        | A     | A  | A     | A                     | A  | A  | A  | A  | A  | A  | A  | A  | A  | A  | A  | A  | A  | A  | A  | A  | A | A | A | A | A | A | A | A | A | A |
| Reset 0xFFFFFFFF | 1  | 1        | 1     | 1  | 1     | 1                     | 1  | 1  | 1  | 1  | 1  | 1  | 1  | 1  | 1  | 1  | 1  | 1  | 1  | 1  | 1  | 1  | 1 | 1 | 1 | 1 | 1 | 1 | 1 | 1 | 1 | 1 |
| Id               | RW | Field    | Value | Id | Value | Description           |    |    |    |    |    |    |    |    |    |    |    |    |    |    |    |    |   |   |   |   |   |   |   |   |   |   |
| A                | RW | CUSTOMER |       |    |       | Reserved for customer |    |    |    |    |    |    |    |    |    |    |    |    |    |    |    |    |   |   |   |   |   |   |   |   |   |   |

### 14.1.46 CUSTOMER[18]

Address offset: 0x0C8

Reserved for customer

| Bit number       | 31 | 30       | 29    | 28 | 27    | 26                    | 25 | 24 | 23 | 22 | 21 | 20 | 19 | 18 | 17 | 16 | 15 | 14 | 13 | 12 | 11 | 10 | 9 | 8 | 7 | 6 | 5 | 4 | 3 | 2 | 1 | 0 |
|------------------|----|----------|-------|----|-------|-----------------------|----|----|----|----|----|----|----|----|----|----|----|----|----|----|----|----|---|---|---|---|---|---|---|---|---|---|
| Id               | A  | A        | A     | A  | A     | A                     | A  | A  | A  | A  | A  | A  | A  | A  | A  | A  | A  | A  | A  | A  | A  | A  | A | A | A | A | A | A | A | A | A | A |
| Reset 0xFFFFFFFF | 1  | 1        | 1     | 1  | 1     | 1                     | 1  | 1  | 1  | 1  | 1  | 1  | 1  | 1  | 1  | 1  | 1  | 1  | 1  | 1  | 1  | 1  | 1 | 1 | 1 | 1 | 1 | 1 | 1 | 1 | 1 | 1 |
| Id               | RW | Field    | Value | Id | Value | Description           |    |    |    |    |    |    |    |    |    |    |    |    |    |    |    |    |   |   |   |   |   |   |   |   |   |   |
| A                | RW | CUSTOMER |       |    |       | Reserved for customer |    |    |    |    |    |    |    |    |    |    |    |    |    |    |    |    |   |   |   |   |   |   |   |   |   |   |

### 14.1.47 CUSTOMER[19]

Address offset: 0x0CC

Reserved for customer

| Bit number       | 31 | 30       | 29       | 28    | 27                    | 26 | 25 | 24 | 23 | 22 | 21 | 20 | 19 | 18 | 17 | 16 | 15 | 14 | 13 | 12 | 11 | 10 | 9 | 8 | 7 | 6 | 5 | 4 | 3 | 2 | 1 | 0 |   |
|------------------|----|----------|----------|-------|-----------------------|----|----|----|----|----|----|----|----|----|----|----|----|----|----|----|----|----|---|---|---|---|---|---|---|---|---|---|---|
| Id               | A  | A        | A        | A     | A                     | A  | A  | A  | A  | A  | A  | A  | A  | A  | A  | A  | A  | A  | A  | A  | A  | A  | A | A | A | A | A | A | A | A | A | A | A |
| Reset 0xFFFFFFFF | 1  | 1        | 1        | 1     | 1                     | 1  | 1  | 1  | 1  | 1  | 1  | 1  | 1  | 1  | 1  | 1  | 1  | 1  | 1  | 1  | 1  | 1  | 1 | 1 | 1 | 1 | 1 | 1 | 1 | 1 | 1 | 1 |   |
| Id               | RW | Field    | Value Id | Value | Description           |    |    |    |    |    |    |    |    |    |    |    |    |    |    |    |    |    |   |   |   |   |   |   |   |   |   |   |   |
| A                | RW | CUSTOMER |          |       | Reserved for customer |    |    |    |    |    |    |    |    |    |    |    |    |    |    |    |    |    |   |   |   |   |   |   |   |   |   |   |   |

### 14.1.48 CUSTOMER[20]

Address offset: 0x0D0

Reserved for customer

| Bit number       | 31 | 30       | 29       | 28    | 27                    | 26 | 25 | 24 | 23 | 22 | 21 | 20 | 19 | 18 | 17 | 16 | 15 | 14 | 13 | 12 | 11 | 10 | 9 | 8 | 7 | 6 | 5 | 4 | 3 | 2 | 1 | 0 |
|------------------|----|----------|----------|-------|-----------------------|----|----|----|----|----|----|----|----|----|----|----|----|----|----|----|----|----|---|---|---|---|---|---|---|---|---|---|
| Id               | A  | A        | A        | A     | A                     | A  | A  | A  | A  | A  | A  | A  | A  | A  | A  | A  | A  | A  | A  | A  | A  | A  | A | A | A | A | A | A | A | A | A | A |
| Reset 0xFFFFFFFF | 1  | 1        | 1        | 1     | 1                     | 1  | 1  | 1  | 1  | 1  | 1  | 1  | 1  | 1  | 1  | 1  | 1  | 1  | 1  | 1  | 1  | 1  | 1 | 1 | 1 | 1 | 1 | 1 | 1 | 1 | 1 | 1 |
| Id               | RW | Field    | Value Id | Value | Description           |    |    |    |    |    |    |    |    |    |    |    |    |    |    |    |    |    |   |   |   |   |   |   |   |   |   |   |
| A                | RW | CUSTOMER |          |       | Reserved for customer |    |    |    |    |    |    |    |    |    |    |    |    |    |    |    |    |    |   |   |   |   |   |   |   |   |   |   |

### 14.1.49 CUSTOMER[21]

Address offset: 0x0D4

Reserved for customer

| Bit number       | 31 | 30       | 29       | 28    | 27                    | 26 | 25 | 24 | 23 | 22 | 21 | 20 | 19 | 18 | 17 | 16 | 15 | 14 | 13 | 12 | 11 | 10 | 9 | 8 | 7 | 6 | 5 | 4 | 3 | 2 | 1 | 0 |
|------------------|----|----------|----------|-------|-----------------------|----|----|----|----|----|----|----|----|----|----|----|----|----|----|----|----|----|---|---|---|---|---|---|---|---|---|---|
| Id               | A  | A        | A        | A     | A                     | A  | A  | A  | A  | A  | A  | A  | A  | A  | A  | A  | A  | A  | A  | A  | A  | A  | A | A | A | A | A | A | A | A | A | A |
| Reset 0xFFFFFFFF | 1  | 1        | 1        | 1     | 1                     | 1  | 1  | 1  | 1  | 1  | 1  | 1  | 1  | 1  | 1  | 1  | 1  | 1  | 1  | 1  | 1  | 1  | 1 | 1 | 1 | 1 | 1 | 1 | 1 | 1 | 1 | 1 |
| Id               | RW | Field    | Value Id | Value | Description           |    |    |    |    |    |    |    |    |    |    |    |    |    |    |    |    |    |   |   |   |   |   |   |   |   |   |   |
| A                | RW | CUSTOMER |          |       | Reserved for customer |    |    |    |    |    |    |    |    |    |    |    |    |    |    |    |    |    |   |   |   |   |   |   |   |   |   |   |

### 14.1.50 CUSTOMER[22]

Address offset: 0x0D8

Reserved for customer

| Bit number       | 31 | 30       | 29       | 28    | 27                    | 26 | 25 | 24 | 23 | 22 | 21 | 20 | 19 | 18 | 17 | 16 | 15 | 14 | 13 | 12 | 11 | 10 | 9 | 8 | 7 | 6 | 5 | 4 | 3 | 2 | 1 | 0 |
|------------------|----|----------|----------|-------|-----------------------|----|----|----|----|----|----|----|----|----|----|----|----|----|----|----|----|----|---|---|---|---|---|---|---|---|---|---|
| Id               | A  | A        | A        | A     | A                     | A  | A  | A  | A  | A  | A  | A  | A  | A  | A  | A  | A  | A  | A  | A  | A  | A  | A | A | A | A | A | A | A | A | A | A |
| Reset 0xFFFFFFFF | 1  | 1        | 1        | 1     | 1                     | 1  | 1  | 1  | 1  | 1  | 1  | 1  | 1  | 1  | 1  | 1  | 1  | 1  | 1  | 1  | 1  | 1  | 1 | 1 | 1 | 1 | 1 | 1 | 1 | 1 | 1 | 1 |
| Id               | RW | Field    | Value Id | Value | Description           |    |    |    |    |    |    |    |    |    |    |    |    |    |    |    |    |    |   |   |   |   |   |   |   |   |   |   |
| A                | RW | CUSTOMER |          |       | Reserved for customer |    |    |    |    |    |    |    |    |    |    |    |    |    |    |    |    |    |   |   |   |   |   |   |   |   |   |   |

### 14.1.51 CUSTOMER[23]

Address offset: 0x0DC

Reserved for customer

| Bit number       | 31 | 30       | 29       | 28    | 27                    | 26 | 25 | 24 | 23 | 22 | 21 | 20 | 19 | 18 | 17 | 16 | 15 | 14 | 13 | 12 | 11 | 10 | 9 | 8 | 7 | 6 | 5 | 4 | 3 | 2 | 1 | 0 |
|------------------|----|----------|----------|-------|-----------------------|----|----|----|----|----|----|----|----|----|----|----|----|----|----|----|----|----|---|---|---|---|---|---|---|---|---|---|
| Id               | A  | A        | A        | A     | A                     | A  | A  | A  | A  | A  | A  | A  | A  | A  | A  | A  | A  | A  | A  | A  | A  | A  | A | A | A | A | A | A | A | A | A | A |
| Reset 0xFFFFFFFF | 1  | 1        | 1        | 1     | 1                     | 1  | 1  | 1  | 1  | 1  | 1  | 1  | 1  | 1  | 1  | 1  | 1  | 1  | 1  | 1  | 1  | 1  | 1 | 1 | 1 | 1 | 1 | 1 | 1 | 1 | 1 | 1 |
| Id               | RW | Field    | Value Id | Value | Description           |    |    |    |    |    |    |    |    |    |    |    |    |    |    |    |    |    |   |   |   |   |   |   |   |   |   |   |
| A                | RW | CUSTOMER |          |       | Reserved for customer |    |    |    |    |    |    |    |    |    |    |    |    |    |    |    |    |    |   |   |   |   |   |   |   |   |   |   |

### 14.1.52 CUSTOMER[24]

Address offset: 0x0E0

Reserved for customer

| Bit number       | 31 | 30       | 29       | 28    | 27                    | 26 | 25 | 24 | 23 | 22 | 21 | 20 | 19 | 18 | 17 | 16 | 15 | 14 | 13 | 12 | 11 | 10 | 9 | 8 | 7 | 6 | 5 | 4 | 3 | 2 | 1 | 0 |
|------------------|----|----------|----------|-------|-----------------------|----|----|----|----|----|----|----|----|----|----|----|----|----|----|----|----|----|---|---|---|---|---|---|---|---|---|---|
| Id               | A  | A        | A        | A     | A                     | A  | A  | A  | A  | A  | A  | A  | A  | A  | A  | A  | A  | A  | A  | A  | A  | A  | A | A | A | A | A | A | A | A | A | A |
| Reset 0xFFFFFFFF | 1  | 1        | 1        | 1     | 1                     | 1  | 1  | 1  | 1  | 1  | 1  | 1  | 1  | 1  | 1  | 1  | 1  | 1  | 1  | 1  | 1  | 1  | 1 | 1 | 1 | 1 | 1 | 1 | 1 | 1 | 1 | 1 |
| Id               | RW | Field    | Value Id | Value | Description           |    |    |    |    |    |    |    |    |    |    |    |    |    |    |    |    |    |   |   |   |   |   |   |   |   |   |   |
| A                | RW | CUSTOMER |          |       | Reserved for customer |    |    |    |    |    |    |    |    |    |    |    |    |    |    |    |    |    |   |   |   |   |   |   |   |   |   |   |



### 14.1.53 CUSTOMER[25]

Address offset: 0x0E4

Reserved for customer

| Bit number       | 31 | 30       | 29    | 28 | 27    | 26                    | 25 | 24 | 23 | 22 | 21 | 20 | 19 | 18 | 17 | 16 | 15 | 14 | 13 | 12 | 11 | 10 | 9 | 8 | 7 | 6 | 5 | 4 | 3 | 2 | 1 | 0 |   |
|------------------|----|----------|-------|----|-------|-----------------------|----|----|----|----|----|----|----|----|----|----|----|----|----|----|----|----|---|---|---|---|---|---|---|---|---|---|---|
| Id               | A  | A        | A     | A  | A     | A                     | A  | A  | A  | A  | A  | A  | A  | A  | A  | A  | A  | A  | A  | A  | A  | A  | A | A | A | A | A | A | A | A | A | A | A |
| Reset 0xFFFFFFFF | 1  | 1        | 1     | 1  | 1     | 1                     | 1  | 1  | 1  | 1  | 1  | 1  | 1  | 1  | 1  | 1  | 1  | 1  | 1  | 1  | 1  | 1  | 1 | 1 | 1 | 1 | 1 | 1 | 1 | 1 | 1 | 1 |   |
| Id               | RW | Field    | Value | Id | Value | Description           |    |    |    |    |    |    |    |    |    |    |    |    |    |    |    |    |   |   |   |   |   |   |   |   |   |   |   |
| A                | RW | CUSTOMER |       |    |       | Reserved for customer |    |    |    |    |    |    |    |    |    |    |    |    |    |    |    |    |   |   |   |   |   |   |   |   |   |   |   |

### 14.1.54 CUSTOMER[26]

Address offset: 0x0E8

Reserved for customer

| Bit number       | 31 | 30       | 29    | 28 | 27    | 26                    | 25 | 24 | 23 | 22 | 21 | 20 | 19 | 18 | 17 | 16 | 15 | 14 | 13 | 12 | 11 | 10 | 9 | 8 | 7 | 6 | 5 | 4 | 3 | 2 | 1 | 0 |
|------------------|----|----------|-------|----|-------|-----------------------|----|----|----|----|----|----|----|----|----|----|----|----|----|----|----|----|---|---|---|---|---|---|---|---|---|---|
| Id               | A  | A        | A     | A  | A     | A                     | A  | A  | A  | A  | A  | A  | A  | A  | A  | A  | A  | A  | A  | A  | A  | A  | A | A | A | A | A | A | A | A | A | A |
| Reset 0xFFFFFFFF | 1  | 1        | 1     | 1  | 1     | 1                     | 1  | 1  | 1  | 1  | 1  | 1  | 1  | 1  | 1  | 1  | 1  | 1  | 1  | 1  | 1  | 1  | 1 | 1 | 1 | 1 | 1 | 1 | 1 | 1 | 1 | 1 |
| Id               | RW | Field    | Value | Id | Value | Description           |    |    |    |    |    |    |    |    |    |    |    |    |    |    |    |    |   |   |   |   |   |   |   |   |   |   |
| A                | RW | CUSTOMER |       |    |       | Reserved for customer |    |    |    |    |    |    |    |    |    |    |    |    |    |    |    |    |   |   |   |   |   |   |   |   |   |   |

### 14.1.55 CUSTOMER[27]

Address offset: 0x0EC

Reserved for customer

| Bit number       | 31 | 30       | 29    | 28 | 27    | 26                    | 25 | 24 | 23 | 22 | 21 | 20 | 19 | 18 | 17 | 16 | 15 | 14 | 13 | 12 | 11 | 10 | 9 | 8 | 7 | 6 | 5 | 4 | 3 | 2 | 1 | 0 |
|------------------|----|----------|-------|----|-------|-----------------------|----|----|----|----|----|----|----|----|----|----|----|----|----|----|----|----|---|---|---|---|---|---|---|---|---|---|
| Id               | A  | A        | A     | A  | A     | A                     | A  | A  | A  | A  | A  | A  | A  | A  | A  | A  | A  | A  | A  | A  | A  | A  | A | A | A | A | A | A | A | A | A | A |
| Reset 0xFFFFFFFF | 1  | 1        | 1     | 1  | 1     | 1                     | 1  | 1  | 1  | 1  | 1  | 1  | 1  | 1  | 1  | 1  | 1  | 1  | 1  | 1  | 1  | 1  | 1 | 1 | 1 | 1 | 1 | 1 | 1 | 1 | 1 | 1 |
| Id               | RW | Field    | Value | Id | Value | Description           |    |    |    |    |    |    |    |    |    |    |    |    |    |    |    |    |   |   |   |   |   |   |   |   |   |   |
| A                | RW | CUSTOMER |       |    |       | Reserved for customer |    |    |    |    |    |    |    |    |    |    |    |    |    |    |    |    |   |   |   |   |   |   |   |   |   |   |

### 14.1.56 CUSTOMER[28]

Address offset: 0x0F0

Reserved for customer

| Bit number       | 31 | 30       | 29    | 28 | 27    | 26                    | 25 | 24 | 23 | 22 | 21 | 20 | 19 | 18 | 17 | 16 | 15 | 14 | 13 | 12 | 11 | 10 | 9 | 8 | 7 | 6 | 5 | 4 | 3 | 2 | 1 | 0 |
|------------------|----|----------|-------|----|-------|-----------------------|----|----|----|----|----|----|----|----|----|----|----|----|----|----|----|----|---|---|---|---|---|---|---|---|---|---|
| Id               | A  | A        | A     | A  | A     | A                     | A  | A  | A  | A  | A  | A  | A  | A  | A  | A  | A  | A  | A  | A  | A  | A  | A | A | A | A | A | A | A | A | A | A |
| Reset 0xFFFFFFFF | 1  | 1        | 1     | 1  | 1     | 1                     | 1  | 1  | 1  | 1  | 1  | 1  | 1  | 1  | 1  | 1  | 1  | 1  | 1  | 1  | 1  | 1  | 1 | 1 | 1 | 1 | 1 | 1 | 1 | 1 | 1 | 1 |
| Id               | RW | Field    | Value | Id | Value | Description           |    |    |    |    |    |    |    |    |    |    |    |    |    |    |    |    |   |   |   |   |   |   |   |   |   |   |
| A                | RW | CUSTOMER |       |    |       | Reserved for customer |    |    |    |    |    |    |    |    |    |    |    |    |    |    |    |    |   |   |   |   |   |   |   |   |   |   |

### 14.1.57 CUSTOMER[29]

Address offset: 0x0F4

Reserved for customer

| Bit number       | 31 | 30       | 29    | 28 | 27    | 26                    | 25 | 24 | 23 | 22 | 21 | 20 | 19 | 18 | 17 | 16 | 15 | 14 | 13 | 12 | 11 | 10 | 9 | 8 | 7 | 6 | 5 | 4 | 3 | 2 | 1 | 0 |
|------------------|----|----------|-------|----|-------|-----------------------|----|----|----|----|----|----|----|----|----|----|----|----|----|----|----|----|---|---|---|---|---|---|---|---|---|---|
| Id               | A  | A        | A     | A  | A     | A                     | A  | A  | A  | A  | A  | A  | A  | A  | A  | A  | A  | A  | A  | A  | A  | A  | A | A | A | A | A | A | A | A | A | A |
| Reset 0xFFFFFFFF | 1  | 1        | 1     | 1  | 1     | 1                     | 1  | 1  | 1  | 1  | 1  | 1  | 1  | 1  | 1  | 1  | 1  | 1  | 1  | 1  | 1  | 1  | 1 | 1 | 1 | 1 | 1 | 1 | 1 | 1 | 1 | 1 |
| Id               | RW | Field    | Value | Id | Value | Description           |    |    |    |    |    |    |    |    |    |    |    |    |    |    |    |    |   |   |   |   |   |   |   |   |   |   |
| A                | RW | CUSTOMER |       |    |       | Reserved for customer |    |    |    |    |    |    |    |    |    |    |    |    |    |    |    |    |   |   |   |   |   |   |   |   |   |   |

### 14.1.58 CUSTOMER[30]

Address offset: 0x0F8

Reserved for customer

| Bit number       | 31 | 30       | 29       | 28    | 27                    | 26 | 25 | 24 | 23 | 22 | 21 | 20 | 19 | 18 | 17 | 16 | 15 | 14 | 13 | 12 | 11 | 10 | 9 | 8 | 7 | 6 | 5 | 4 | 3 | 2 | 1 | 0 |
|------------------|----|----------|----------|-------|-----------------------|----|----|----|----|----|----|----|----|----|----|----|----|----|----|----|----|----|---|---|---|---|---|---|---|---|---|---|
| Id               | A  | A        | A        | A     | A                     | A  | A  | A  | A  | A  | A  | A  | A  | A  | A  | A  | A  | A  | A  | A  | A  | A  | A | A | A | A | A | A | A | A | A | A |
| Reset 0xFFFFFFFF | 1  | 1        | 1        | 1     | 1                     | 1  | 1  | 1  | 1  | 1  | 1  | 1  | 1  | 1  | 1  | 1  | 1  | 1  | 1  | 1  | 1  | 1  | 1 | 1 | 1 | 1 | 1 | 1 | 1 | 1 | 1 |   |
| Id               | RW | Field    | Value Id | Value | Description           |    |    |    |    |    |    |    |    |    |    |    |    |    |    |    |    |    |   |   |   |   |   |   |   |   |   |   |
| A                | RW | CUSTOMER |          |       | Reserved for customer |    |    |    |    |    |    |    |    |    |    |    |    |    |    |    |    |    |   |   |   |   |   |   |   |   |   |   |

### 14.1.59 CUSTOMER[31]

Address offset: 0x0FC

Reserved for customer

| Bit number       | 31 | 30       | 29       | 28    | 27                    | 26 | 25 | 24 | 23 | 22 | 21 | 20 | 19 | 18 | 17 | 16 | 15 | 14 | 13 | 12 | 11 | 10 | 9 | 8 | 7 | 6 | 5 | 4 | 3 | 2 | 1 | 0 |
|------------------|----|----------|----------|-------|-----------------------|----|----|----|----|----|----|----|----|----|----|----|----|----|----|----|----|----|---|---|---|---|---|---|---|---|---|---|
| Id               | A  | A        | A        | A     | A                     | A  | A  | A  | A  | A  | A  | A  | A  | A  | A  | A  | A  | A  | A  | A  | A  | A  | A | A | A | A | A | A | A | A | A |   |
| Reset 0xFFFFFFFF | 1  | 1        | 1        | 1     | 1                     | 1  | 1  | 1  | 1  | 1  | 1  | 1  | 1  | 1  | 1  | 1  | 1  | 1  | 1  | 1  | 1  | 1  | 1 | 1 | 1 | 1 | 1 | 1 | 1 | 1 | 1 |   |
| Id               | RW | Field    | Value Id | Value | Description           |    |    |    |    |    |    |    |    |    |    |    |    |    |    |    |    |    |   |   |   |   |   |   |   |   |   |   |
| A                | RW | CUSTOMER |          |       | Reserved for customer |    |    |    |    |    |    |    |    |    |    |    |    |    |    |    |    |    |   |   |   |   |   |   |   |   |   |   |

### 14.1.60 PSELRESET[0]

Address offset: 0x200

Mapping of the nRESET function (see POWER chapter for details)

All PSELRESET registers have to contain the same value for a pin mapping to be valid. If they don't, there will be no nRESET function exposed on a GPIO, and the device will always start independently of the levels present on any of the GPIOs.

| Bit number       | 31 | 30      | 29           | 28    | 27   | 26 | 25 | 24 | 23 | 22 | 21 | 20 | 19 | 18 | 17 | 16 | 15 | 14 | 13 | 12 | 11 | 10 | 9 | 8 | 7 | 6 | 5 | 4 | 3 | 2 | 1 | 0 |
|------------------|----|---------|--------------|-------|--|----|----|----|----|----|----|----|----|----|----|----|----|----|----|----|----|----|---|---|---|---|---|---|---|---|---|---|
| Id               | B  |         |              |       |  |    |    |    |    |    |    |    |    |    |    |    |    |    |    |    |    |    |   |   |   |   |   |   |   |   |   |   |
| Reset 0xFFFFFFFF | 1  | 1       | 1            | 1     | 1  | 1  | 1  | 1  | 1  | 1  | 1  | 1  | 1  | 1  | 1  | 1  | 1  | 1  | 1  | 1  | 1  | 1  | 1 | 1 | 1 | 1 | 1 | 1 | 1 | 1 | 1 |   |
| Id               | RW | Field   | Value Id     | Value | Description                                  |    |    |    |    |    |    |    |    |    |    |    |    |    |    |    |    |    |   |   |   |   |   |   |   |   |   |   |
| A                | RW | PIN     |              | 21    | GPIO number P0.n onto which Reset is exposed |    |    |    |    |    |    |    |    |    |    |    |    |    |    |    |    |    |   |   |   |   |   |   |   |   |   |   |
| B                | RW | CONNECT | Disconnected | 1     | Disconnect                                   |    |    |    |    |    |    |    |    |    |    |    |    |    |    |    |    |    |   |   |   |   |   |   |   |   |   |   |
|                  |    |         | Connected    | 0     | Connect                                      |    |    |    |    |    |    |    |    |    |    |    |    |    |    |    |    |    |   |   |   |   |   |   |   |   |   |   |

### 14.1.61 PSELRESET[1]

Address offset: 0x204

Mapping of the nRESET function (see POWER chapter for details)

All PSELRESET registers have to contain the same value for a pin mapping to be valid. If they don't, there will be no nRESET function exposed on a GPIO, and the device will always start independently of the levels present on any of the GPIOs.

| Bit number       | 31 | 30      | 29           | 28    | 27   | 26 | 25 | 24 | 23 | 22 | 21 | 20 | 19 | 18 | 17 | 16 | 15 | 14 | 13 | 12 | 11 | 10 | 9 | 8 | 7 | 6 | 5 | 4 | 3 | 2 | 1 | 0 |
|------------------|----|---------|--------------|-------|--|----|----|----|----|----|----|----|----|----|----|----|----|----|----|----|----|----|---|---|---|---|---|---|---|---|---|---|
| Id               | B  |         |              |       |  |    |    |    |    |    |    |    |    |    |    |    |    |    |    |    |    |    |   |   |   |   |   |   |   |   |   |   |
| Reset 0xFFFFFFFF | 1  | 1       | 1            | 1     | 1  | 1  | 1  | 1  | 1  | 1  | 1  | 1  | 1  | 1  | 1  | 1  | 1  | 1  | 1  | 1  | 1  | 1  | 1 | 1 | 1 | 1 | 1 | 1 | 1 | 1 | 1 |   |
| Id               | RW | Field   | Value Id     | Value | Description                                  |    |    |    |    |    |    |    |    |    |    |    |    |    |    |    |    |    |   |   |   |   |   |   |   |   |   |   |
| A                | RW | PIN     |              | 21    | GPIO number P0.n onto which Reset is exposed |    |    |    |    |    |    |    |    |    |    |    |    |    |    |    |    |    |   |   |   |   |   |   |   |   |   |   |
| B                | RW | CONNECT | Disconnected | 1     | Disconnect                                   |    |    |    |    |    |    |    |    |    |    |    |    |    |    |    |    |    |   |   |   |   |   |   |   |   |   |   |
|                  |    |         | Connected    | 0     | Connect                                      |    |    |    |    |    |    |    |    |    |    |    |    |    |    |    |    |    |   |   |   |   |   |   |   |   |   |   |

### 14.1.62 APPROTECT

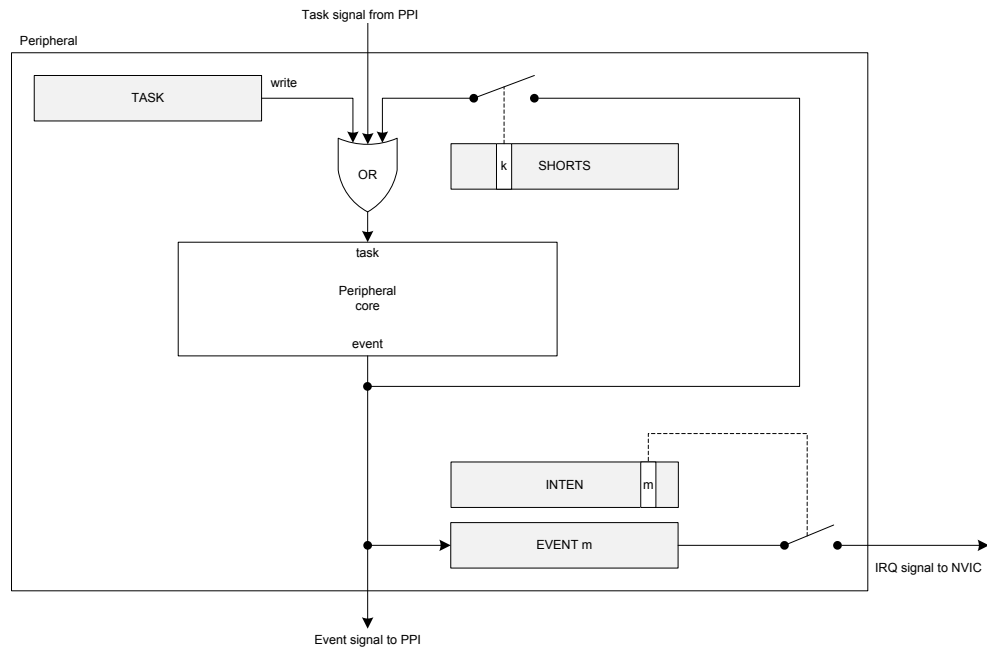
Address offset: 0x208

Access Port protection



## 15 Peripheral interface

Peripherals are controlled by the CPU by writing to configuration registers and task registers. Peripheral events are indicated to the CPU by event registers and interrupts if they are configured for a given event.



**Figure 10: Tasks, events, shortcuts, and interrupts**

### 15.1 Peripheral ID

Every peripheral is assigned a fixed block of 0x1000 bytes of address space, which is equal to 1024 x 32 bit registers.

See [Instantiation](#) on page 24 for more information about which peripherals are available and where they are located in the address map.

There is a direct relationship between the peripheral ID and base address. For example, a peripheral with base address 0x40000000 is assigned ID=0, a peripheral with base address 0x40001000 is assigned ID=1, and a peripheral with base address 0x4001F000 is assigned ID=31.

Peripherals may share the same ID, which may impose one or more of the following limitations:

- Some peripherals share some registers or other common resources.
- Operation is mutually exclusive. Only one of the peripherals can be used at a time.
- Switching from one peripheral to another must follow a specific pattern (disable the first, then enable the second peripheral).

### 15.2 Peripherals with shared ID

In general, and with the exception of ID 0, peripherals sharing an ID and base address may not be used simultaneously. The user can only enable one at the time on this specific ID.

When switching between two peripherals that share an ID, the user should do the following to prevent unwanted behavior:

- Disable the previously used peripheral

- Remove any PPI connections set up for the peripheral that is being disabled
- Clear all bits in the INTEN register, i.e. INTENCLR = 0xFFFFFFFF.
- Explicitly configure the peripheral that you enable and do not rely on configuration values that may be inherited from the peripheral that was disabled.
- Enable the now configured peripheral.

For each of the rows in the following table, the instance ID listed is shared by the peripherals in the same row.

**Table 20: Peripherals sharing an ID**

| Instance           |       |        |     |      |      |     |
|--------------------|-------|--------|-----|------|------|-----|
| ID 2 (0x40002000)  | UARTE | UART   |     |      |      |     |
| -                  |       |        |     |      |      |     |
| ID 3 (0x40003000)  | SPIM  | SPIS   | SPI | TWIM | TWIS | TWI |
| ID 4 (0x40004000)  | SPIM  | SPIS   | SPI | TWIM | TWIS | TWI |
| ID 35 (0x40023000) | SPIM  | SPIS   | SPI |      |      |     |
| -                  |       |        |     |      |      |     |
| ID 15 (0x4000F000) | AAR   | CCM    |     |      |      |     |
| -                  |       |        |     |      |      |     |
| ID 19 (0x40013000) | COMP  | LPCOMP |     |      |      |     |
| -                  |       |        |     |      |      |     |
| ID 20 (0x40014000) | SWI   | EGU    |     |      |      |     |
| ID 21 (0x40015000) | SWI   | EGU    |     |      |      |     |
| ID 22 (0x40016000) | SWI   | EGU    |     |      |      |     |
| ID 23 (0x40017000) | SWI   | EGU    |     |      |      |     |
| ID 24 (0x40018000) | SWI   | EGU    |     |      |      |     |
| ID 25 (0x40019000) | SWI   | EGU    |     |      |      |     |

## 15.3 Peripheral registers

Most peripherals feature an ENABLE register. Unless otherwise specified in the relevant chapter, the peripheral registers (in particular the PSEL registers) must be configured before enabling the peripheral.

Note that the peripheral must be enabled before tasks and events can be used.

## 15.4 Bit set and clear

Registers with multiple single-bit bit fields may implement the "set-and-clear" pattern. This pattern enables firmware to set and clear individual bits in a register without having to perform a read-modify-write operation on the main register.

This pattern is implemented using three consecutive addresses in the register map where the main register is followed by a dedicated SET and CLR register in that order.

The SET register is used to set individual bits in the main register while the CLR register is used to clear individual bits in the main register. Writing a '1' to a bit in the SET or CLR register will set or clear the same bit in the main register respectively. Writing a '0' to a bit in the SET or CLR register has no effect. Reading the SET or CLR registers returns the value of the main register.

**Restriction:** The main register may not be visible and hence not directly accessible in all cases.

## 15.5 Tasks

Tasks are used to trigger actions in a peripheral, for example, to start a particular behavior. A peripheral can implement multiple tasks with each task having a separate register in that peripheral's task register group.

A task is triggered when firmware writes a '1' to the task register or when the peripheral itself or another peripheral toggles the corresponding task signal. See [Figure 10: Tasks, events, shortcuts, and interrupts](#) on page 68.

## 15.6 Events

Events are used to notify peripherals and the CPU about events that have happened, for example, a state change in a peripheral. A peripheral may generate multiple events with each event having a separate register in that peripheral's event register group.

An event is generated when the peripheral itself toggles the corresponding event signal, and the event register is updated to reflect that the event has been generated. See [Figure 10: Tasks, events, shortcuts, and interrupts](#) on page 68. An event register is only cleared when firmware writes a '0' to it.

Events can be generated by the peripheral even when the event register is set to '1'.

## 15.7 Shortcuts

A shortcut is a direct connection between an event and a task within the same peripheral. If a shortcut is enabled, its associated task is automatically triggered when its associated event is generated.

Using a shortcut is the equivalent to making the same connection outside the peripheral and through the PPI. However, the propagation delay through the shortcut is usually shorter than the propagation delay through the PPI.

Shortcuts are predefined, which means their connections cannot be configured by firmware. Each shortcut can be individually enabled or disabled through the shortcut register, one bit per shortcut, giving a maximum of 32 shortcuts for each peripheral.

## 15.8 Interrupts

All peripherals support interrupts. Interrupts are generated by events.

A peripheral only occupies one interrupt, and the interrupt number follows the peripheral ID. For example, the peripheral with ID=4 is connected to interrupt number 4 in the Nested Vectored Interrupt Controller (NVIC).

Using the INTEN, INTENSET and INTENCLR registers, every event generated by a peripheral can be configured to generate that peripheral's interrupt. Multiple events can be enabled to generate interrupts simultaneously. To resolve the correct interrupt source, the event registers in the event group of peripheral registers will indicate the source.

Some peripherals implement only INTENSET and INTENCLR, and the INTEN register is not available on those peripherals. Refer to the individual chapters for details. In all cases, however, reading back the INTENSET or INTENCLR register returns the same information as in INTEN.

Each event implemented in the peripheral is associated with a specific bit position in the INTEN, INTENSET and INTENCLR registers.

The relationship between tasks, events, shortcuts, and interrupts is shown in [Figure 10: Tasks, events, shortcuts, and interrupts](#) on page 68.

### 15.8.1 Interrupt clearing

When clearing an interrupt by writing "0" to an event register, or disabling an interrupt using the INTENCLR register, it can take up to four CPU clock cycles to take effect. This means that an interrupt may reoccur immediately even if a new event has not come, if the program exits an interrupt handler after the interrupt is cleared or disabled, but before four clock cycles have passed.

**Important:** To avoid an interrupt reoccurring before a new event has come, the program should perform a read from one of the peripheral registers, for example, the event register that has been cleared, or the INTENCLR register that has been used to disable the interrupt.

This will cause a one to three-cycle delay and ensure the interrupt is cleared before exiting the interrupt handler. Care should be taken to ensure the compiler does not remove the read operation as an optimization. If the program can guarantee a four-cycle delay after event clear or interrupt disable another way, then a read of a register is not required.



## 16 Debug and trace

The debug and trace system offers a flexible and powerful mechanism for non-intrusive debugging.



**Figure 11: Debug and trace overview**

The main features of the debug and trace system are:

- Two-pin Serial Wire Debug (SWD) interface
- Flash Patch and Breakpoint Unit (FPB) supports:
  - Two literal comparators
  - Six instruction comparators
- Data Watchpoint and Trace Unit (DWT)
  - Four comparators
- Instrumentation Trace Macrocell (ITM)
- Embedded Trace Macrocell (ETM)
- Trace Port Interface Unit (TPIU)
  - 4-bit parallel trace of ITM and ETM trace data
  - Serial Wire Output (SWO) trace of ITM data

### 16.1 DAP - Debug Access Port

An external debugger can access the device via the DAP.

The DAP implements a standard ARM® CoreSight™ Serial Wire Debug Port (SW-DP).

The SW-DP implements the Serial Wire Debug protocol (SWD) that is a two-pin serial interface, see SWDCLK and SWDIO in [Figure 11: Debug and trace overview](#) on page 72.

In addition to the default access port in the CPU (AHB-AP), the DAP includes a custom Control Access Port (CTRL-AP). The CTRL-AP is described in more detail in [CTRL-AP - Control Access Port](#) on page 73.

**Important:**

- The SWDIO line has an internal pull-up resistor.
- The SWDCLK line has an internal pull-down resistor.



## 16.2 CTRL-AP - Control Access Port

The Control Access Port (CTRL-AP) is a custom access port that enables control of the device even if the other access ports in the DAP are being disabled by the access port protection.

Access port protection blocks the debugger from read and write access to all CPU registers and memory-mapped addresses. See the UICR register [APPROTECT](#) on page 66 for more information about enabling access port protection.

This access port enables the following features:

- Soft reset, see [Reset](#) on page 82 for more information
- Disable access port protection

Access port protection can only be disabled by issuing an ERASEALL command via CTRL-AP. This command will erase the Flash, UICR, and RAM.

### 16.2.1 Registers

**Table 21: Register Overview**

| Register                        | Offset | Description                                |
|---------------------------------|--------|--|
| <a href="#">RESET</a>           | 0x000  | Soft reset triggered through CTRL-AP       |
| <a href="#">ERASEALL</a>        | 0x004  | Erase all                                  |
| <a href="#">ERASEALLSTATUS</a>  | 0x008  | Status register for the ERASEALL operation |
| <a href="#">APPROTECTSTATUS</a> | 0x00C  | Status register for access port protection |
| <a href="#">IDR</a>             | 0x0FC  | CTRL-AP Identification Register, IDR       |

#### RESET

Address offset: 0x000

Soft reset triggered through CTRL-AP

| Bit number       | 31 30 29 28 27 26 25 24 23 22 21 20 19 18 17 16 15 14 13 12 11 10 9 8 7 6 5 4 3 2 1 0 |       |          |       |  |  |  |  |  |  |  |  |  |  |  |  |  |  |  |  |  |  |  |  |  |  |  |  |  |  |  |   |
|------------------|---|-------|----------|-------|--|--|--|--|--|--|--|--|--|--|--|--|--|--|--|--|--|--|--|--|--|--|--|--|--|--|--|---|
| Id               |   |       |          |       |  |  |  |  |  |  |  |  |  |  |  |  |  |  |  |  |  |  |  |  |  |  |  |  |  |  |  | A |
| Reset 0x00000000 | 0             |       |          |       |  |  |  |  |  |  |  |  |  |  |  |  |  |  |  |  |  |  |  |  |  |  |  |  |  |  |  |   |
| Id               | RW  | Field | Value Id | Value | Description  |  |  |  |  |  |  |  |  |  |  |  |  |  |  |  |  |  |  |  |  |  |  |  |  |  |  |   |
| A                | RW  | RESET |          |       | Soft reset triggered through CTRL-AP. See Reset Behaviour in POWER chapter for more details. |  |  |  |  |  |  |  |  |  |  |  |  |  |  |  |  |  |  |  |  |  |  |  |  |  |  |   |
|                  |   |       | NoReset  | 0     | Reset is not active  |  |  |  |  |  |  |  |  |  |  |  |  |  |  |  |  |  |  |  |  |  |  |  |  |  |  |   |
|                  |   |       | Reset    | 1     | Reset is active. Device is held in reset   |  |  |  |  |  |  |  |  |  |  |  |  |  |  |  |  |  |  |  |  |  |  |  |  |  |  |   |

#### ERASEALL

Address offset: 0x004

Erase all

| Bit number       | 31 30 29 28 27 26 25 24 23 22 21 20 19 18 17 16 15 14 13 12 11 10 9 8 7 6 5 4 3 2 1 0 |          |             |       |                         |  |  |  |  |  |  |  |  |  |  |  |  |  |  |  |  |  |  |  |  |  |  |  |  |  |  |   |
|------------------|---|----------|-------------|-------|-------------------------|--|--|--|--|--|--|--|--|--|--|--|--|--|--|--|--|--|--|--|--|--|--|--|--|--|--|---|
| Id               |   |          |             |       |                         |  |  |  |  |  |  |  |  |  |  |  |  |  |  |  |  |  |  |  |  |  |  |  |  |  |  | A |
| Reset 0x00000000 | 0             |          |             |       |                         |  |  |  |  |  |  |  |  |  |  |  |  |  |  |  |  |  |  |  |  |  |  |  |  |  |  |   |
| Id               | RW  | Field    | Value Id    | Value | Description             |  |  |  |  |  |  |  |  |  |  |  |  |  |  |  |  |  |  |  |  |  |  |  |  |  |  |   |
| A                | W   | ERASEALL |             |       | Erase all FLASH and RAM |  |  |  |  |  |  |  |  |  |  |  |  |  |  |  |  |  |  |  |  |  |  |  |  |  |  |   |
|                  |   |          | NoOperation | 0     | No operation            |  |  |  |  |  |  |  |  |  |  |  |  |  |  |  |  |  |  |  |  |  |  |  |  |  |  |   |
|                  |   |          | Erase       | 1     | Erase all FLASH and RAM |  |  |  |  |  |  |  |  |  |  |  |  |  |  |  |  |  |  |  |  |  |  |  |  |  |  |   |

#### ERASEALLSTATUS

Address offset: 0x008

Status register for the ERASEALL operation

| Bit number       | 31 | 30             | 29       | 28    | 27   | 26 | 25 | 24 | 23 | 22 | 21 | 20 | 19 | 18 | 17 | 16 | 15 | 14 | 13 | 12 | 11 | 10 | 9 | 8 | 7 | 6 | 5 | 4 | 3 | 2 | 1 | 0 |   |
|------------------|----|----------------|----------|-------|--|----|----|----|----|----|----|----|----|----|----|----|----|----|----|----|----|----|---|---|---|---|---|---|---|---|---|---|---|
| Id               |    |                |          |       |  |    |    |    |    |    |    |    |    |    |    |    |    |    |    |    |    |    |   |   |   |   |   |   |   |   |   | A |   |
| Reset 0x00000000 | 0  | 0              | 0        | 0     | 0  | 0  | 0  | 0  | 0  | 0  | 0  | 0  | 0  | 0  | 0  | 0  | 0  | 0  | 0  | 0  | 0  | 0  | 0 | 0 | 0 | 0 | 0 | 0 | 0 | 0 | 0 | 0 | 0 |
| Id               | RW | Field          | Value Id | Value | Description                                |    |    |    |    |    |    |    |    |    |    |    |    |    |    |    |    |    |   |   |   |   |   |   |   |   |   |   |   |
| A                | R  | ERASEALLSTATUS |          |       | Status register for the ERASEALL operation |    |    |    |    |    |    |    |    |    |    |    |    |    |    |    |    |    |   |   |   |   |   |   |   |   |   |   |   |
|                  |    |                | Ready    | 0     | ERASEALL is ready                          |    |    |    |    |    |    |    |    |    |    |    |    |    |    |    |    |    |   |   |   |   |   |   |   |   |   |   |   |
|                  |    |                | Busy     | 1     | ERASEALL is busy (on-going)                |    |    |    |    |    |    |    |    |    |    |    |    |    |    |    |    |    |   |   |   |   |   |   |   |   |   |   |   |

### APPROTECTSTATUS

Address offset: 0x00C

Status register for access port protection

| Bit number       | 31 | 30              | 29       | 28    | 27   | 26 | 25 | 24 | 23 | 22 | 21 | 20 | 19 | 18 | 17 | 16 | 15 | 14 | 13 | 12 | 11 | 10 | 9 | 8 | 7 | 6 | 5 | 4 | 3 | 2 | 1 | 0 |
|------------------|----|-----------------|----------|-------|--|----|----|----|----|----|----|----|----|----|----|----|----|----|----|----|----|----|---|---|---|---|---|---|---|---|---|---|
| Id               |    |                 |          |       |  |    |    |    |    |    |    |    |    |    |    |    |    |    |    |    |    |    |   |   |   |   |   |   |   |   |   | A |
| Reset 0x00000000 | 0  | 0               | 0        | 0     | 0  | 0  | 0  | 0  | 0  | 0  | 0  | 0  | 0  | 0  | 0  | 0  | 0  | 0  | 0  | 0  | 0  | 0  | 0 | 0 | 0 | 0 | 0 | 0 | 0 | 0 | 0 | 0 |
| Id               | RW | Field           | Value Id | Value | Description                                |    |    |    |    |    |    |    |    |    |    |    |    |    |    |    |    |    |   |   |   |   |   |   |   |   |   |   |
| A                | R  | APPROTECTSTATUS |          |       | Status register for access port protection |    |    |    |    |    |    |    |    |    |    |    |    |    |    |    |    |    |   |   |   |   |   |   |   |   |   |   |
|                  |    |                 | Enabled  | 0     | Access port protection enabled             |    |    |    |    |    |    |    |    |    |    |    |    |    |    |    |    |    |   |   |   |   |   |   |   |   |   |   |
|                  |    |                 | Disabled | 1     | Access port protection not enabled         |    |    |    |    |    |    |    |    |    |    |    |    |    |    |    |    |    |   |   |   |   |   |   |   |   |   |   |

### IDR

Address offset: 0x0FC

CTRL-AP Identification Register, IDR

| Bit number       | 31 | 30         | 29         | 28    | 27                             | 26 | 25 | 24 | 23 | 22 | 21 | 20 | 19 | 18 | 17 | 16 | 15 | 14 | 13 | 12 | 11 | 10 | 9 | 8 | 7 | 6 | 5 | 4 | 3 | 2 | 1 | 0 |
|------------------|----|------------|------------|-------|--------------------------------|----|----|----|----|----|----|----|----|----|----|----|----|----|----|----|----|----|---|---|---|---|---|---|---|---|---|---|
| Id               | E  | E          | E          | E     | D                              | D  | D  | D  | C  | C  | C  | C  | C  | C  | B  | B  | B  | B  |    |    |    |    |   |   | A | A | A | A | A | A | A |   |
| Reset 0x02880000 | 0  | 0          | 0          | 0     | 0                              | 0  | 1  | 0  | 1  | 0  | 0  | 0  | 1  | 0  | 0  | 0  | 0  | 0  | 0  | 0  | 0  | 0  | 0 | 0 | 0 | 0 | 0 | 0 | 0 | 0 | 0 |   |
| Id               | RW | Field      | Value Id   | Value | Description                    |    |    |    |    |    |    |    |    |    |    |    |    |    |    |    |    |    |   |   |   |   |   |   |   |   |   |   |
| A                | R  | APID       |            |       | AP Identification              |    |    |    |    |    |    |    |    |    |    |    |    |    |    |    |    |    |   |   |   |   |   |   |   |   |   |   |
| B                | R  | CLASS      |            |       | Access Port (AP) class         |    |    |    |    |    |    |    |    |    |    |    |    |    |    |    |    |    |   |   |   |   |   |   |   |   |   |   |
|                  |    |            | NotDefined | 0x0   | No defined class               |    |    |    |    |    |    |    |    |    |    |    |    |    |    |    |    |    |   |   |   |   |   |   |   |   |   |   |
|                  |    |            | MEMAP      | 0x8   | Memory Access Port             |    |    |    |    |    |    |    |    |    |    |    |    |    |    |    |    |    |   |   |   |   |   |   |   |   |   |   |
| C                | R  | JEP106ID   |            |       | JEDEC JEP106 identity code     |    |    |    |    |    |    |    |    |    |    |    |    |    |    |    |    |    |   |   |   |   |   |   |   |   |   |   |
| D                | R  | JEP106CONT |            |       | JEDEC JEP106 continuation code |    |    |    |    |    |    |    |    |    |    |    |    |    |    |    |    |    |   |   |   |   |   |   |   |   |   |   |
| E                | R  | REVISION   |            |       | Revision                       |    |    |    |    |    |    |    |    |    |    |    |    |    |    |    |    |    |   |   |   |   |   |   |   |   |   |   |

## 16.3 Debug interface mode

Before the external debugger can access the CPU's access port (AHB-AP) or the Control Access Port (CTRL-AP), the debugger must first request the device to power up via CxxxPWRUPREQ in the SWJ-DP.

As long as the debugger is requesting power via CxxxPWRUPREQ, the device will be in debug interface mode. If the debugger is not requesting power via CxxxPWRUPREQ, the device will be in normal mode.

Some peripherals will behave differently in debug interface mode compared to normal mode. These differences are described in more detail in the chapters of the peripherals that are affected.

When a debug session is over, the external debugger must make sure to put the device back into normal mode since the overall power consumption will be higher in debug interface mode compared to normal mode.

For details on how to use the debug capabilities please read the debug documentation of your IDE.

If the device is in System OFF when power is requested via CxxxPWRUPREQ, the system will wake up and the DIF flag in [RESETREAS](#) on page 85 will be set.

## 16.4 Real-time debug

The nRF52832 supports real-time debugging.

Real-time debugging will allow interrupts to execute to completion in real time when breakpoints are set in Thread mode or lower priority interrupts. This enables the developer to set a breakpoint and single-step through their code without a failure of the real-time event-driven threads running at higher priority. For example, this enables the device to continue to service the high-priority interrupts of an external controller or sensor without failure or loss of state synchronization while the developer steps through code in a low-priority thread.

## 16.5 Trace

The device supports ETM and ITM trace.

Trace data from the ETM and the ITM is sent to an external debugger via a 4-bit wide parallel trace port (TPIU), see TRACEDATA[0] through TRACEDATA[3] and TRACECLK in [Figure 11: Debug and trace overview](#) on page 72.

In addition to parallel trace, the TPIU supports serial trace via the Serial Wire Output (SWO) trace protocol.

Parallel and serial trace cannot be used at the same time.

ETM trace is only supported in parallel trace mode while ITM trace is supported in both parallel and serial trace modes.

For details on how to use the trace capabilities, please read the debug documentation of your IDE.

TPIU's trace pins are multiplexed with GPIOs, and SWO and TRACEDATA[0] use the same GPIO, see [Pin assignments](#) on page 13 for more information.

Trace speed is configured in the [TRACECONFIG](#) on page 108 register.

The speed of the trace pins depends on the DRIVE setting of the GPIOs that the trace pins are multiplexed with, see [PIN\\_CNF\[14\]](#) on page 142, [PIN\\_CNF\[15\]](#) on page 143, [PIN\\_CNF\[16\]](#) on page 144, [PIN\\_CNF\[18\]](#) on page 145 and [PIN\\_CNF\[20\]](#) on page 146. Only S0S1 and H0H1 drives are suitable for debugging. S0S1 is the default DRIVE at reset. If parallel or serial trace port signals are not fast enough in the debugging conditions, all GPIOs in use for tracing should be set to high drive (H0H1). The user shall make sure that these GPIOs' DRIVE is not overwritten by software during the debugging session.

### 16.5.1 Electrical specification

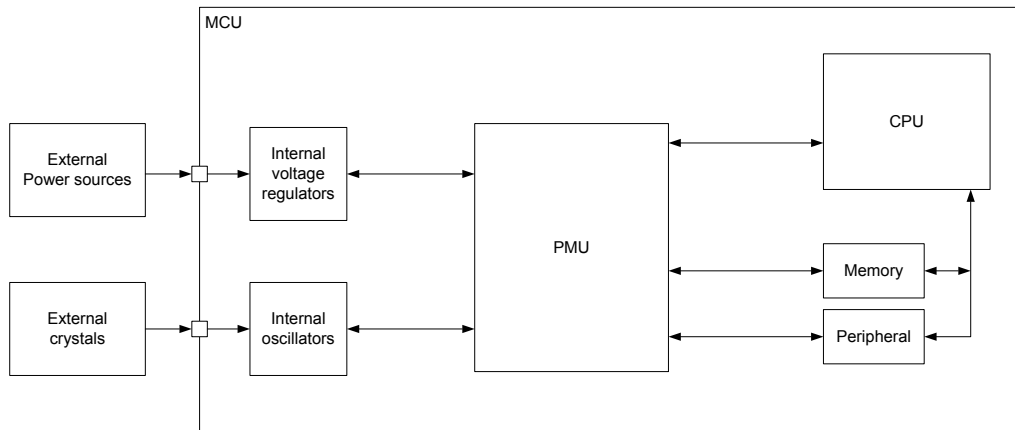
#### Trace port

| Symbol           | Description   | Min. | Typ. | Max. | Units |
|------------------|---|------|------|------|-------|
| T <sub>cyc</sub> | Clock period, as defined by ARM (See ARM Infocenter, Embedded Trace Macrocell Architecture Specification, Trace Port Physical Interface, Timing specifications) | 62.5 |      | 500  | ns    |

# 17 Power and clock management

Power and clock management in nRF52832 is optimized for ultra-low power applications.

The core of the power and clock management system is the Power Management Unit (PMU) illustrated in [Figure 12: Power Management Unit](#) on page 76.



**Figure 12: Power Management Unit**

The user application is not required to actively control power and clock, since the PMU is able to automatically detect which resources are required by the different components in the system at any given time. The PMU will continuously optimize the system based on this information to achieve the lowest power consumption possible without user interaction.

## 17.1 Current consumption scenarios

As the system is being constantly tuned by the PMU, estimating the energy consumption of an application can be challenging if the designer is not able to do measurements on the hardware directly. See [Electrical specification](#) on page 76 for application scenarios showing average current drawn from the VDD supply.

Each scenario specifies a set of active operations and conditions applying to the given scenario. [Table 22: Current consumption scenarios, common conditions](#) on page 76 shows the conditions used for a scenario unless otherwise is stated in the scenario description.

**Table 22: Current consumption scenarios, common conditions**

| Condition   | Value         |
|-------------|---------------|
| VDD         | 3 V           |
| Temperature | 25°C          |
| CPU         | WFI/WFE sleep |
| Peripherals | All idle      |
| Clock       | Not running   |
| Regulator   | DCDC          |

### 17.1.1 Electrical specification

#### Current consumption: Radio

| Symbol                 | Description   | Min. | Typ. | Max. | Units |
|------------------------|---|------|------|------|-------|
| I <sub>RADIO_TX0</sub> | 0 dBm TX @ 1 Mb/s Bluetooth Low Energy mode, Clock = HFXO   |      | 7.1  |      | mA    |
| I <sub>RADIO_TX1</sub> | -40 dBm TX @ 1 Mb/s Bluetooth Low Energy mode, Clock = HFXO |      | 4.1  |      | mA    |
| I <sub>RADIO_RX0</sub> | Radio RX @ 1 Mb/s Bluetooth Low Energy mode, Clock = HFXO   |      | 6.5  |      | mA    |

### Current consumption: Radio protocol configurations

| Symbol          | Description  | Min. | Typ. | Max. | Units |
|-----------------|--|------|------|------|-------|
| I <sub>S0</sub> | CPU running CoreMark from Flash, Radio 0 dBm TX @ 1 Mb/s<br>Bluetooth Low Energy mode, Clock = HFXO, Cache enabled |      | 9.6  |      | mA    |
| I <sub>S1</sub> | CPU running CoreMark from Flash, Radio RX @ 1 Mb/s<br>Bluetooth Low Energy mode, Clock = HFXO, Cache enabled       |      | 9.0  |      | mA    |

### Current consumption: Ultra-low power

| Symbol                         | Description   | Min. | Typ. | Max. | Units |
|--------------------------------|---|------|------|------|-------|
| I <sub>ON_RAMOFF_EVENT</sub>   | System ON, No RAM retention, Wake on any event      |      | 1.2  |      | μA    |
| I <sub>ON_RAMON_EVENT</sub>    | System ON, Full RAM retention, Wake on any event    |      | 1.5  |      | μA    |
| I <sub>ON_RAMOFF_RTC</sub>     | System ON, No RAM retention, Wake on RTC            |      | 1.9  |      | μA    |
| I <sub>OFF_RAMOFF_RESET</sub>  | System OFF, No RAM retention, Wake on reset         |      | 0.3  |      | μA    |
| I <sub>OFF_RAMOFF_GPIO</sub>   | System OFF, No RAM retention, Wake on GPIO          |      | 1.2  |      | μA    |
| I <sub>OFF_RAMOFF_LPCOMP</sub> | System OFF, No RAM retention, Wake on LPCOMP        |      | 1.9  |      | μA    |
| I <sub>OFF_RAMOFF_NFC</sub>    | System OFF, No RAM retention, Wake on NFC field     |      | 0.7  |      | μA    |
| I <sub>OFF_RAMON_RESET</sub>   | System OFF, Full 64 kB RAM retention, Wake on reset |      | 0.7  |      | μA    |

# 18 POWER — Power supply

This device has the following power supply features:

- On-chip LDO and DC/DC regulators
- Global System ON/OFF modes
- Individual RAM section power control for all system modes
- Analog or digital pin wakeup from System OFF
- Supervisor HW to manage power on reset, brownout, and power fail
- Auto-controlled refresh modes for LDO and DC/DC regulators to maximize efficiency
- Automatic switching between LDO and DC/DC regulator based on load to maximize efficiency

**Note:** Two additional external passive components are required to use the DC/DC regulator.

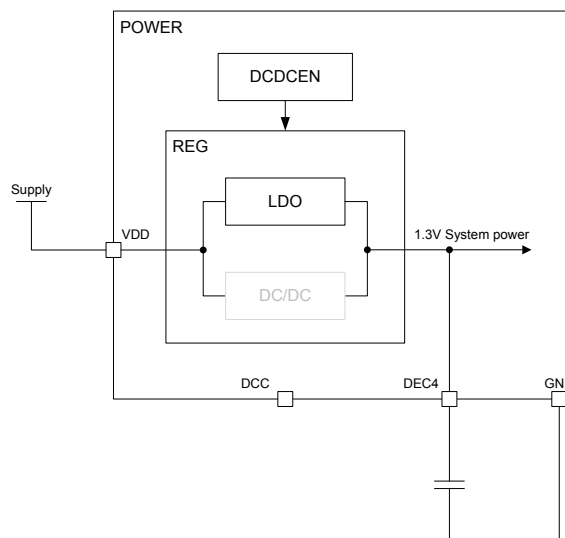
## 18.1 Regulators

The following internal power regulator alternatives are supported:

- Internal LDO regulator
- Internal DC/DC regulator

The LDO is the default regulator.

The DC/DC regulator can be used as an alternative to the LDO regulator and is enabled through the [DCDCEN](#) on page 88 register. Using the DC/DC regulator will reduce current consumption compared to when using the LDO regulator, but the DC/DC regulator requires an external LC filter to be connected, as shown in [Figure 14: DC/DC regulator setup](#) on page 79.



**Figure 13: LDO regulator setup**

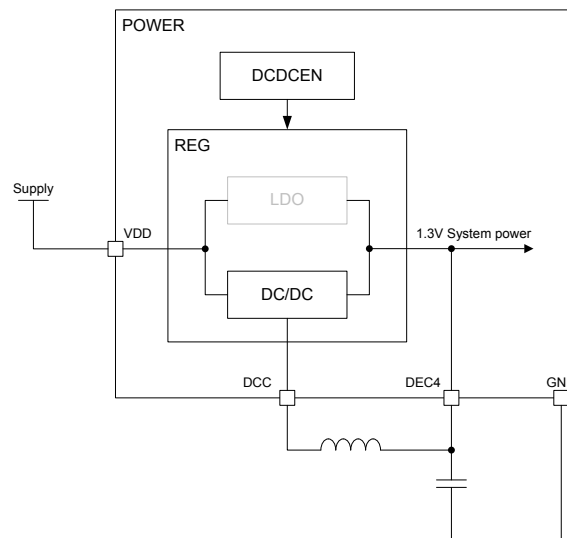


Figure 14: DC/DC regulator setup

## 18.2 System OFF mode

System OFF is the deepest power saving mode the system can enter. In this mode, the system's core functionality is powered down and all ongoing tasks are terminated.

The device can be put into System OFF mode using the POWER register interface. When in System OFF mode, the device can be woken up through one of the following signals:

1. The DETECT signal, optionally generated by the GPIO peripheral
2. The ANADETECT signal, optionally generated by the LPCOMP module
3. The SENSE signal, optionally generated by the NFC module to "wake-on-field"
4. A reset

When the system wakes up from System OFF mode, it gets reset. For more details, see [Reset behavior](#) on page 83.

One or more RAM sections can be retained in System OFF mode depending on the settings in the RAM[n].POWER registers.

RAM[n].POWER are retained registers, see [Reset behavior](#). Note that these registers are usually overwritten by the startup code provided with the nRF application examples.

Before entering System OFF mode, the user must make sure that all on-going EasyDMA transactions have been completed. This is usually accomplished by making sure that the EasyDMA enabled peripheral is not active when entering System OFF.

### 18.2.1 Emulated System OFF mode

If the device is in debug interface mode, System OFF will be emulated to secure that all required resources needed for debugging are available during System OFF.

See [Debug and trace](#) on page 72 for more information. Required resources needed for debugging include the following key components: [Debug and trace](#) on page 72, [CLOCK — Clock control](#) on page 101, [POWER — Power supply](#) on page 78, [NVMC — Non-volatile memory controller](#) on page 29, CPU, Flash, and RAM. Since the CPU is kept on in an emulated System OFF mode, it is recommended to add an infinite loop directly after entering System OFF, to prevent the CPU from executing code that normally should not be executed.

## 18.3 System ON mode

System ON is the default state after power-on reset. In System ON, all functional blocks such as the CPU or peripherals, can be in IDLE or RUN mode, depending on the configuration set by the software and the state of the application executing.

Register [RESETREAS](#) on page 85 provides information about the source that caused the wakeup or reset.

The system can switch on and off the appropriate internal power sources, depending on how much power is needed at any given time. The power requirement of a peripheral is directly related to its activity level, and the activity level of a peripheral is usually raised and lowered when specific tasks are triggered or events are generated.

### 18.3.1 Sub power modes

In System ON mode, when both the CPU and all the peripherals are in IDLE mode, the system can reside in one of the two sub power modes.

The sub power modes are:

- Constant latency
- Low power

In constant latency mode the CPU wakeup latency and the PPI task response will be constant and kept at a minimum. This is secured by forcing a set of base resources on while in sleep. The advantage of having a constant and predictable latency will be at the cost of having increased power consumption. The constant latency mode is selected by triggering the CONSTLAT task.

In low power mode the automatic power management system, described in [System ON mode](#) on page 80, ensures the most efficient supply option is chosen to save the most power. The advantage of having the lowest power possible will be at the cost of having varying CPU wakeup latency and PPI task response. The low power mode is selected by triggering the LOWPWR task.

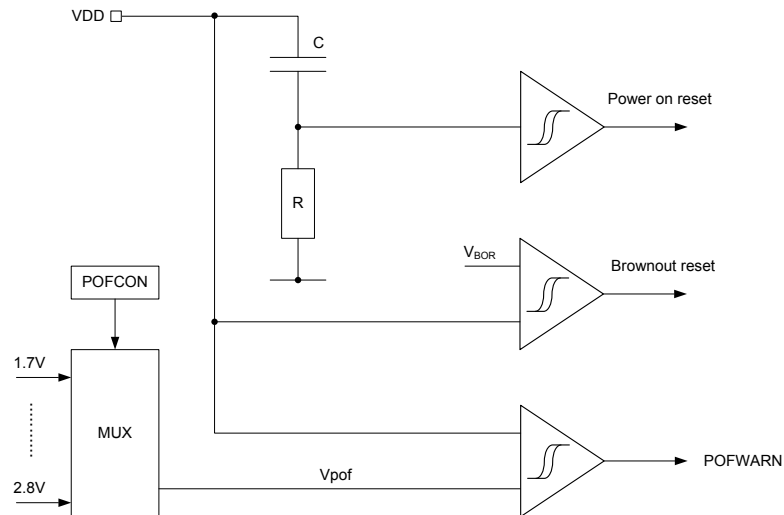
When the system enters System ON mode, it will, by default, reside in the low power sub-power mode.

## 18.4 Power supply supervisor

The power supply supervisor initializes the system at power-on and provides an early warning of impending power failure.

In addition, the power supply supervisor puts the system in a reset state if the supply voltage is too low for safe operation (brownout). The power supply supervisor is illustrated in [Figure 15: Power supply supervisor](#) on page 81.





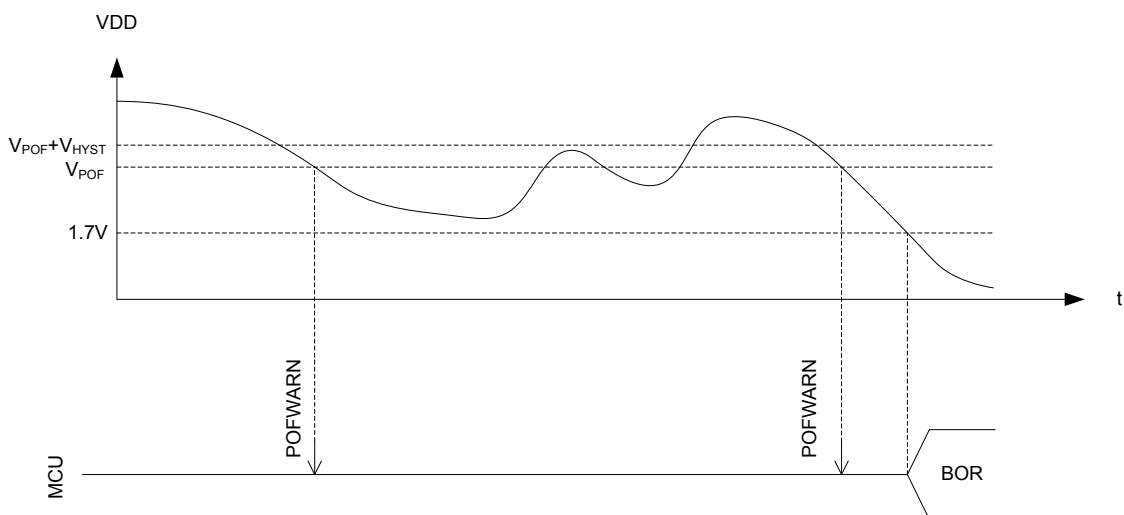
**Figure 15: Power supply supervisor**

### 18.4.1 Power-fail comparator

The power-fail comparator (POF) can provide the CPU with an early warning of impending power failure. It will not reset the system, but give the CPU time to prepare for an orderly power-down.

The comparator features a hysteresis of  $V_{HYST}$ , as illustrated in [Figure 16: Power-fail comparator \(BOR = Brownout reset\)](#) on page 81. The threshold  $V_{POF}$  is set in register [POFCON](#) on page 86. If the POF is enabled and the supply voltage falls below  $V_{POF}$ , the POWARN event will be generated. This event will also be generated if the supply voltage is already below  $V_{POF}$  at the time the POF is enabled, or if  $V_{POF}$  is re-configured to a level above the supply voltage.

If power-fail warning is enabled and the supply voltage is below  $V_{POF}$  the power-fail comparator will prevent the NVMC from performing write operations to the NVM. See [NVMC — Non-volatile memory controller](#) on page 29 for more information about the NVMC.



**Figure 16: Power-fail comparator (BOR = Brownout reset)**

To save power, the power-fail comparator is not active in System OFF or in System ON when HFCLK is not running.

## 18.5 RAM sections

RAM section power control is used for retention in System OFF mode and for powering down unused sections in System ON mode.

Each RAM section can power up and down independently in both System ON and System OFF mode. See chapter [Memory](#) on page 23 for more information on RAM sections.

## 18.6 Reset

There are multiple sources that may trigger a reset.

After a reset has occurred, register [RESETREAS](#) can be read to determine which source generated the reset.

### 18.6.1 Power-on reset

The power-on reset generator initializes the system at power-on.

The system is held in reset state until the supply has reached the minimum operating voltage and the internal voltage regulators have started.

A step increase in supply voltage of 300 mV or more, with rise time of 300 ms or less, within the valid supply range, may result in a system reset.

### 18.6.2 Pin reset

A pin reset is generated when the physical reset pin on the device is asserted.

Pin reset is configured via the [PSELRESET\[0\]](#) and [PSELRESET\[1\]](#) registers.

**Note:** Pin reset is not available on all pins.

### 18.6.3 Wakeup from System OFF mode reset

The device is reset when it wakes up from System OFF mode.

The DAP is not reset following a wake up from System OFF mode if the device is in debug interface mode. Refer to chapter [Debug and trace](#) on page 72 for more information.

### 18.6.4 Soft reset

A soft reset is generated when the SYSRESETREQ bit of the Application Interrupt and Reset Control Register (AIRCRCR register) in the ARM® core is set.

Refer to [ARM documentation](#) for more details.

A soft reset can also be generated via the [RESET](#) on page 73 register in the CTRL-AP.

### 18.6.5 Watchdog reset

A Watchdog reset is generated when the watchdog times out.

Refer to chapter [WDT — Watchdog timer](#) on page 410 for more information.

### 18.6.6 Brown-out reset

The brown-out reset generator puts the system in reset state if the supply voltage drops below the brownout reset (BOR) threshold.

Refer to section [Power fail comparator](#) on page 99 for more information.

## 18.7 Retained registers

A retained register is a register that will retain its value in System OFF mode and through a reset, depending on reset source. See individual peripheral chapters for information of which registers are retained for the various peripherals.

## 18.8 Reset behavior

| Reset source                         | Reset target<br>CPU | Peripherals | GPIO | Debug <sup>a</sup> | SWJ-DP | RAM            | WDT | Retained registers | RESETREAS |
|--------------------------------------|---------------------|-------------|------|--------------------|--------|----------------|-----|--------------------|-----------|
| CPU lockup <sup>6</sup>              | x                   | x           | x    |                    |        |                |     |                    |           |
| Soft reset                           | x                   | x           | x    |                    |        |                |     |                    |           |
| Wakeup from System OFF mode<br>reset | x                   | x           |      | x <sup>7</sup>     |        | x <sup>8</sup> |     |                    |           |
| Watchdog reset <sup>9</sup>          | x                   | x           | x    | x                  |        | x              | x   | x                  |           |
| Pin reset                            | x                   | x           | x    | x                  |        | x              | x   | x                  |           |
| Brownout reset                       | x                   | x           | x    | x                  | x      | x              | x   | x                  | x         |
| Power on reset                       | x                   | x           | x    | x                  | x      | x              | x   | x                  | x         |

**Note:** The RAM is never reset, but depending on reset source, RAM content may be corrupted.

## 18.9 Registers

Table 23: Instances

| Base address | Peripheral | Instance | Description   | Configuration |
|--------------|------------|----------|---------------|---------------|
| 0x40000000   | POWER      | POWER    | Power control |               |

Table 24: Register Overview

| Register            | Offset | Description                                     |            |
|---------------------|--------|---|------------|
| TASKS_CONSTLAT      | 0x078  | Enable constant latency mode                    |            |
| TASKS_LOWPWR        | 0x07C  | Enable low power mode (variable latency)        |            |
| EVENTS_POFWARN      | 0x108  | Power failure warning                           |            |
| EVENTS_SLEEPEXIT    | 0x114  | CPU entered WFI/WFE sleep                       |            |
| EVENTS_SLEEPEXIT    | 0x118  | CPU exited WFI/WFE sleep                        |            |
| <i>INTENSET</i>     | 0x304  | Enable interrupt                                |            |
| <i>INTENCLR</i>     | 0x308  | Disable interrupt                               |            |
| <i>RESETREAS</i>    | 0x400  | Reset reason                                    |            |
| <i>RAMSTATUS</i>    | 0x428  | RAM status register                             | Deprecated |
| <i>SYSTEMOFF</i>    | 0x500  | System OFF register                             |            |
| <i>POFCON</i>       | 0x510  | Power failure comparator configuration          |            |
| <i>GPREGRET</i>     | 0x51C  | General purpose retention register              |            |
| <i>GPREGRET2</i>    | 0x520  | General purpose retention register              |            |
| <i>RAMON</i>        | 0x524  | RAM on/off register (this register is retained) | Deprecated |
| <i>RAMONB</i>       | 0x554  | RAM on/off register (this register is retained) | Deprecated |
| <i>DCDCEN</i>       | 0x578  | DC/DC enable register                           |            |
| <i>RAM[0].POWER</i> | 0x900  | RAM0 power control register                     |            |

<sup>a</sup> All debug components excluding SWJ-DP. See [Debug and trace](#) on page 72 chapter for more information about the different debug components in the system.

<sup>6</sup> Reset from CPU lockup is disabled if the device is in debug interface mode. CPU lockup is not possible in System OFF.

<sup>7</sup> The Debug components will not be reset if the device is in debug interface mode.

<sup>8</sup> RAM is not reset on wakeup from OFF mode, but depending on settings in the RAM register parts, or the whole RAM, may not be retained after the device has entered System OFF mode.

<sup>9</sup> Watchdog reset is not available in System OFF.

| Register                        | Offset | Description                       |
|---------------------------------|--------|-----------------------------------|
| <a href="#">RAM[0].POWERSET</a> | 0x904  | RAM0 power control set register   |
| <a href="#">RAM[0].POWERCLR</a> | 0x908  | RAM0 power control clear register |
| <a href="#">RAM[1].POWER</a>    | 0x910  | RAM1 power control register       |
| <a href="#">RAM[1].POWERSET</a> | 0x914  | RAM1 power control set register   |
| <a href="#">RAM[1].POWERCLR</a> | 0x918  | RAM1 power control clear register |
| <a href="#">RAM[2].POWER</a>    | 0x920  | RAM2 power control register       |
| <a href="#">RAM[2].POWERSET</a> | 0x924  | RAM2 power control set register   |
| <a href="#">RAM[2].POWERCLR</a> | 0x928  | RAM2 power control clear register |
| <a href="#">RAM[3].POWER</a>    | 0x930  | RAM3 power control register       |
| <a href="#">RAM[3].POWERSET</a> | 0x934  | RAM3 power control set register   |
| <a href="#">RAM[3].POWERCLR</a> | 0x938  | RAM3 power control clear register |
| <a href="#">RAM[4].POWER</a>    | 0x940  | RAM4 power control register       |
| <a href="#">RAM[4].POWERSET</a> | 0x944  | RAM4 power control set register   |
| <a href="#">RAM[4].POWERCLR</a> | 0x948  | RAM4 power control clear register |
| <a href="#">RAM[5].POWER</a>    | 0x950  | RAM5 power control register       |
| <a href="#">RAM[5].POWERSET</a> | 0x954  | RAM5 power control set register   |
| <a href="#">RAM[5].POWERCLR</a> | 0x958  | RAM5 power control clear register |
| <a href="#">RAM[6].POWER</a>    | 0x960  | RAM6 power control register       |
| <a href="#">RAM[6].POWERSET</a> | 0x964  | RAM6 power control set register   |
| <a href="#">RAM[6].POWERCLR</a> | 0x968  | RAM6 power control clear register |
| <a href="#">RAM[7].POWER</a>    | 0x970  | RAM7 power control register       |
| <a href="#">RAM[7].POWERSET</a> | 0x974  | RAM7 power control set register   |
| <a href="#">RAM[7].POWERCLR</a> | 0x978  | RAM7 power control clear register |

### 18.9.1 INTENSET

Address offset: 0x304

Enable interrupt

| Bit number       | 31 30 29 28 27 26 25 24 23 22 21 20 19 18 17 16 15 14 13 12 11 10 9 8 7 6 5 4 3 2 1 0 |            |          |    |       |  |  |  |  |  |  |  |  |  |  |  |  |  |  |  |  |  |  |  |  |  |  |  |  |  |  |
|------------------|---|------------|----------|----|-------|--|--|--|--|--|--|--|--|--|--|--|--|--|--|--|--|--|--|--|--|--|--|--|--|--|--|
| Id               |   |            |          |    |       |  |  |  |  |  |  |  |  |  |  |  |  |  |  |  |  |  |  |  |  |  |  |  |  |  |  |
| Reset 0x00000000 | 0             |            |          |    |       |  |  |  |  |  |  |  |  |  |  |  |  |  |  |  |  |  |  |  |  |  |  |  |  |  |  |
| Id               | RW  | Field      | Value    | Id | Value | Description  |  |  |  |  |  |  |  |  |  |  |  |  |  |  |  |  |  |  |  |  |  |  |  |  |  |
| A                | RW  | POFWARN    |          |    |       | Write '1' to Enable interrupt for POFWARN event    |  |  |  |  |  |  |  |  |  |  |  |  |  |  |  |  |  |  |  |  |  |  |  |  |  |
|                  |   |            |          |    |       | See <a href="#">EVENTS_POFWARN</a>                 |  |  |  |  |  |  |  |  |  |  |  |  |  |  |  |  |  |  |  |  |  |  |  |  |  |
|                  |   |            | Set      | 1  |       | Enable   |  |  |  |  |  |  |  |  |  |  |  |  |  |  |  |  |  |  |  |  |  |  |  |  |  |
|                  |   |            | Disabled | 0  |       | Read: Disabled                                     |  |  |  |  |  |  |  |  |  |  |  |  |  |  |  |  |  |  |  |  |  |  |  |  |  |
|                  |   |            | Enabled  | 1  |       | Read: Enabled                                      |  |  |  |  |  |  |  |  |  |  |  |  |  |  |  |  |  |  |  |  |  |  |  |  |  |
| B                | RW  | SLEEPENTER |          |    |       | Write '1' to Enable interrupt for SLEEPENTER event |  |  |  |  |  |  |  |  |  |  |  |  |  |  |  |  |  |  |  |  |  |  |  |  |  |
|                  |   |            |          |    |       | See <a href="#">EVENTS_SLEEPENTER</a>              |  |  |  |  |  |  |  |  |  |  |  |  |  |  |  |  |  |  |  |  |  |  |  |  |  |
|                  |   |            | Set      | 1  |       | Enable   |  |  |  |  |  |  |  |  |  |  |  |  |  |  |  |  |  |  |  |  |  |  |  |  |  |
|                  |   |            | Disabled | 0  |       | Read: Disabled                                     |  |  |  |  |  |  |  |  |  |  |  |  |  |  |  |  |  |  |  |  |  |  |  |  |  |
|                  |   |            | Enabled  | 1  |       | Read: Enabled                                      |  |  |  |  |  |  |  |  |  |  |  |  |  |  |  |  |  |  |  |  |  |  |  |  |  |
| C                | RW  | SLEEPEXIT  |          |    |       | Write '1' to Enable interrupt for SLEEPEXIT event  |  |  |  |  |  |  |  |  |  |  |  |  |  |  |  |  |  |  |  |  |  |  |  |  |  |
|                  |   |            |          |    |       | See <a href="#">EVENTS_SLEEPEXIT</a>               |  |  |  |  |  |  |  |  |  |  |  |  |  |  |  |  |  |  |  |  |  |  |  |  |  |
|                  |   |            | Set      | 1  |       | Enable   |  |  |  |  |  |  |  |  |  |  |  |  |  |  |  |  |  |  |  |  |  |  |  |  |  |
|                  |   |            | Disabled | 0  |       | Read: Disabled                                     |  |  |  |  |  |  |  |  |  |  |  |  |  |  |  |  |  |  |  |  |  |  |  |  |  |
|                  |   |            | Enabled  | 1  |       | Read: Enabled                                      |  |  |  |  |  |  |  |  |  |  |  |  |  |  |  |  |  |  |  |  |  |  |  |  |  |

### 18.9.2 INTENCLR

Address offset: 0x308

Disable interrupt

| Bit number       | 31 30 29 28 27 26 25 24 23 22 21 20 19 18 17 16 15 14 13 12 11 10 9 8 7 6 5 4 3 2 1 0 |            |          |               |   |  |  |  |  |  |  |  |  |  |  |  |  |  |  |  |  |  |  |  |  |  |  |       |  |  |  |
|------------------|---|------------|----------|---------------|---|--|--|--|--|--|--|--|--|--|--|--|--|--|--|--|--|--|--|--|--|--|--|-------|--|--|--|
| Id               |   |            |          |               |   |  |  |  |  |  |  |  |  |  |  |  |  |  |  |  |  |  |  |  |  |  |  | C B A |  |  |  |
| Reset 0x00000000 | 0                   |            |          |               |   |  |  |  |  |  |  |  |  |  |  |  |  |  |  |  |  |  |  |  |  |  |  |       |  |  |  |
| Id               | RW  | Field      | Value Id | Value         | Description   |  |  |  |  |  |  |  |  |  |  |  |  |  |  |  |  |  |  |  |  |  |  |       |  |  |  |
| A                | RW  | POFWARN    |          |               | Write '1' to Disable interrupt for POFWARN event    |  |  |  |  |  |  |  |  |  |  |  |  |  |  |  |  |  |  |  |  |  |  |       |  |  |  |
|                  |   |            |          |               | See <a href="#">EVENTS_POFWARN</a>                  |  |  |  |  |  |  |  |  |  |  |  |  |  |  |  |  |  |  |  |  |  |  |       |  |  |  |
|                  |   |            | Clear    | 1             | Disable   |  |  |  |  |  |  |  |  |  |  |  |  |  |  |  |  |  |  |  |  |  |  |       |  |  |  |
|                  |   |            | Disabled | 0             | Read: Disabled                                      |  |  |  |  |  |  |  |  |  |  |  |  |  |  |  |  |  |  |  |  |  |  |       |  |  |  |
|                  |   | Enabled    | 1        | Read: Enabled |   |  |  |  |  |  |  |  |  |  |  |  |  |  |  |  |  |  |  |  |  |  |  |       |  |  |  |
| B                | RW  | SLEEPENTER |          |               | Write '1' to Disable interrupt for SLEEPENTER event |  |  |  |  |  |  |  |  |  |  |  |  |  |  |  |  |  |  |  |  |  |  |       |  |  |  |
|                  |   |            |          |               | See <a href="#">EVENTS_SLEEPENTER</a>               |  |  |  |  |  |  |  |  |  |  |  |  |  |  |  |  |  |  |  |  |  |  |       |  |  |  |
|                  |   |            | Clear    | 1             | Disable   |  |  |  |  |  |  |  |  |  |  |  |  |  |  |  |  |  |  |  |  |  |  |       |  |  |  |
|                  |   |            | Disabled | 0             | Read: Disabled                                      |  |  |  |  |  |  |  |  |  |  |  |  |  |  |  |  |  |  |  |  |  |  |       |  |  |  |
|                  |   | Enabled    | 1        | Read: Enabled |   |  |  |  |  |  |  |  |  |  |  |  |  |  |  |  |  |  |  |  |  |  |  |       |  |  |  |
| C                | RW  | SLEEPEXIT  |          |               | Write '1' to Disable interrupt for SLEEPEXIT event  |  |  |  |  |  |  |  |  |  |  |  |  |  |  |  |  |  |  |  |  |  |  |       |  |  |  |
|                  |   |            |          |               | See <a href="#">EVENTS_SLEEPEXIT</a>                |  |  |  |  |  |  |  |  |  |  |  |  |  |  |  |  |  |  |  |  |  |  |       |  |  |  |
|                  |   |            | Clear    | 1             | Disable   |  |  |  |  |  |  |  |  |  |  |  |  |  |  |  |  |  |  |  |  |  |  |       |  |  |  |
|                  |   |            | Disabled | 0             | Read: Disabled                                      |  |  |  |  |  |  |  |  |  |  |  |  |  |  |  |  |  |  |  |  |  |  |       |  |  |  |
|                  |   | Enabled    | 1        | Read: Enabled |   |  |  |  |  |  |  |  |  |  |  |  |  |  |  |  |  |  |  |  |  |  |  |       |  |  |  |

### 18.9.3 RESETRREAS

Address offset: 0x400

Reset reason

Unless cleared, the RESETRREAS register will be cumulative. A field is cleared by writing '1' to it. If none of the reset sources are flagged, this indicates that the chip was reset from the on-chip reset generator, which will indicate a power-on-reset or a brownout reset.

| Bit number       | 31 30 29 28 27 26 25 24 23 22 21 20 19 18 17 16 15 14 13 12 11 10 9 8 7 6 5 4 3 2 1 0 |          |             |       |  |  |  |  |  |  |  |  |  |  |  |  |  |  |  |  |  |  |  |  |  |  |  |         |  |  |  |
|------------------|---|----------|-------------|-------|--|--|--|--|--|--|--|--|--|--|--|--|--|--|--|--|--|--|--|--|--|--|--|---------|--|--|--|
| Id               |   |          |             |       |  |  |  |  |  |  |  |  |  |  |  |  |  |  |  |  |  |  |  |  |  |  |  | H G F E |  |  |  |
| Reset 0x00000000 | 0                   |          |             |       |  |  |  |  |  |  |  |  |  |  |  |  |  |  |  |  |  |  |  |  |  |  |  |         |  |  |  |
| Id               | RW  | Field    | Value Id    | Value | Description  |  |  |  |  |  |  |  |  |  |  |  |  |  |  |  |  |  |  |  |  |  |  |         |  |  |  |
| A                | RW  | RESETPIN |             |       | Reset from pin-reset detected  |  |  |  |  |  |  |  |  |  |  |  |  |  |  |  |  |  |  |  |  |  |  |         |  |  |  |
|                  |   |          | NotDetected | 0     | Not detected   |  |  |  |  |  |  |  |  |  |  |  |  |  |  |  |  |  |  |  |  |  |  |         |  |  |  |
|                  |   |          | Detected    | 1     | Detected   |  |  |  |  |  |  |  |  |  |  |  |  |  |  |  |  |  |  |  |  |  |  |         |  |  |  |
| B                | RW  | DOG      |             |       | Reset from watchdog detected   |  |  |  |  |  |  |  |  |  |  |  |  |  |  |  |  |  |  |  |  |  |  |         |  |  |  |
|                  |   |          | NotDetected | 0     | Not detected   |  |  |  |  |  |  |  |  |  |  |  |  |  |  |  |  |  |  |  |  |  |  |         |  |  |  |
|                  |   |          | Detected    | 1     | Detected   |  |  |  |  |  |  |  |  |  |  |  |  |  |  |  |  |  |  |  |  |  |  |         |  |  |  |
| C                | RW  | SREQ     |             |       | Reset from soft reset detected   |  |  |  |  |  |  |  |  |  |  |  |  |  |  |  |  |  |  |  |  |  |  |         |  |  |  |
|                  |   |          | NotDetected | 0     | Not detected   |  |  |  |  |  |  |  |  |  |  |  |  |  |  |  |  |  |  |  |  |  |  |         |  |  |  |
|                  |   |          | Detected    | 1     | Detected   |  |  |  |  |  |  |  |  |  |  |  |  |  |  |  |  |  |  |  |  |  |  |         |  |  |  |
| D                | RW  | LOCKUP   |             |       | Reset from CPU lock-up detected  |  |  |  |  |  |  |  |  |  |  |  |  |  |  |  |  |  |  |  |  |  |  |         |  |  |  |
|                  |   |          | NotDetected | 0     | Not detected   |  |  |  |  |  |  |  |  |  |  |  |  |  |  |  |  |  |  |  |  |  |  |         |  |  |  |
|                  |   |          | Detected    | 1     | Detected   |  |  |  |  |  |  |  |  |  |  |  |  |  |  |  |  |  |  |  |  |  |  |         |  |  |  |
| E                | RW  | OFF      |             |       | Reset due to wake up from System OFF mode when wakeup is triggered from DETECT signal from GPIO            |  |  |  |  |  |  |  |  |  |  |  |  |  |  |  |  |  |  |  |  |  |  |         |  |  |  |
|                  |   |          | NotDetected | 0     | Not detected   |  |  |  |  |  |  |  |  |  |  |  |  |  |  |  |  |  |  |  |  |  |  |         |  |  |  |
|                  |   |          | Detected    | 1     | Detected   |  |  |  |  |  |  |  |  |  |  |  |  |  |  |  |  |  |  |  |  |  |  |         |  |  |  |
| F                | RW  | LPCOMP   |             |       | Reset due to wake up from System OFF mode when wakeup is triggered from ANADETECT signal from LPCOMP       |  |  |  |  |  |  |  |  |  |  |  |  |  |  |  |  |  |  |  |  |  |  |         |  |  |  |
|                  |   |          | NotDetected | 0     | Not detected   |  |  |  |  |  |  |  |  |  |  |  |  |  |  |  |  |  |  |  |  |  |  |         |  |  |  |
|                  |   |          | Detected    | 1     | Detected   |  |  |  |  |  |  |  |  |  |  |  |  |  |  |  |  |  |  |  |  |  |  |         |  |  |  |
| G                | RW  | DIF      |             |       | Reset due to wake up from System OFF mode when wakeup is triggered from entering into debug interface mode |  |  |  |  |  |  |  |  |  |  |  |  |  |  |  |  |  |  |  |  |  |  |         |  |  |  |
|                  |   |          | NotDetected | 0     | Not detected   |  |  |  |  |  |  |  |  |  |  |  |  |  |  |  |  |  |  |  |  |  |  |         |  |  |  |
|                  |   |          | Detected    | 1     | Detected   |  |  |  |  |  |  |  |  |  |  |  |  |  |  |  |  |  |  |  |  |  |  |         |  |  |  |

| Bit number       | 31 | 30    | 29          | 28 | 27    | 26  | 25 | 24 | 23 | 22 | 21 | 20 | 19 | 18 | 17 | 16 | 15 | 14 | 13 | 12 | 11 | 10 | 9 | 8 | 7 | 6 | 5 | 4 | 3 | 2 | 1 | 0 |   |   |   |
|------------------|----|-------|-------------|----|-------|---|----|----|----|----|----|----|----|----|----|----|----|----|----|----|----|----|---|---|---|---|---|---|---|---|---|---|---|---|---|
| Id               |    |       |             |    |       |   |    |    |    |    |    |    |    |    |    |    | H  | G  | F  | E  |    |    |   |   |   |   |   |   |   |   |   | D | C | B | A |
| Reset 0x00000000 | 0  | 0     | 0           | 0  | 0     | 0   | 0  | 0  | 0  | 0  | 0  | 0  | 0  | 0  | 0  | 0  | 0  | 0  | 0  | 0  | 0  | 0  | 0 | 0 | 0 | 0 | 0 | 0 | 0 | 0 | 0 | 0 | 0 | 0 |   |
| Id               | RW | Field | Value       | Id | Value | Description   |    |    |    |    |    |    |    |    |    |    |    |    |    |    |    |    |   |   |   |   |   |   |   |   |   |   |   |   |   |
| H                | RW | NFC   |             |    |       | Reset due to wake up from System OFF mode by NFC field detect |    |    |    |    |    |    |    |    |    |    |    |    |    |    |    |    |   |   |   |   |   |   |   |   |   |   |   |   |   |
|                  |    |       | NotDetected | 0  |       | Not detected  |    |    |    |    |    |    |    |    |    |    |    |    |    |    |    |    |   |   |   |   |   |   |   |   |   |   |   |   |   |
|                  |    |       | Detected    | 1  |       | Detected  |    |    |    |    |    |    |    |    |    |    |    |    |    |    |    |    |   |   |   |   |   |   |   |   |   |   |   |   |   |

### 18.9.4 RAMSTATUS ( Deprecated )

Address offset: 0x428

RAM status register

Since this register is deprecated the following substitutions have been made: RAM block 0 is equivalent to a block comprising RAM0.S0 and RAM1.S0, RAM block 1 is equivalent to a block comprising RAM2.S0 and RAM3.S0, RAM block 2 is equivalent to a block comprising RAM4.S0 and RAM5.S0 and RAM block 3 is equivalent to a block comprising RAM6.S0 and RAM7.S0. A RAM block field will indicate ON as long as any of the RAM sections associated with a block are on.

| Bit number       | 31 | 30        | 29    | 28 | 27    | 26                                   | 25 | 24 | 23 | 22 | 21 | 20 | 19 | 18 | 17 | 16 | 15 | 14 | 13 | 12 | 11 | 10 | 9 | 8 | 7 | 6 | 5 | 4 | 3 | 2 | 1 | 0 |
|------------------|----|-----------|-------|----|-------|--------------------------------------|----|----|----|----|----|----|----|----|----|----|----|----|----|----|----|----|---|---|---|---|---|---|---|---|---|---|
| Id               |    |           |       |    |       |                                      |    |    |    |    |    |    |    |    |    |    |    |    |    |    | D  |    |   |   | C | B | A |   |   |   |   |   |
| Reset 0x00000000 | 0  | 0         | 0     | 0  | 0     | 0                                    | 0  | 0  | 0  | 0  | 0  | 0  | 0  | 0  | 0  | 0  | 0  | 0  | 0  | 0  | 0  | 0  | 0 | 0 | 0 | 0 | 0 | 0 | 0 | 0 | 0 | 0 |
| Id               | RW | Field     | Value | Id | Value | Description                          |    |    |    |    |    |    |    |    |    |    |    |    |    |    |    |    |   |   |   |   |   |   |   |   |   |   |
| A                | R  | RAMBLOCK0 |       |    |       | RAM block 0 is on or off/powering up |    |    |    |    |    |    |    |    |    |    |    |    |    |    |    |    |   |   |   |   |   |   |   |   |   |   |
|                  |    |           | Off   | 0  |       | Off                                  |    |    |    |    |    |    |    |    |    |    |    |    |    |    |    |    |   |   |   |   |   |   |   |   |   |   |
|                  |    |           | On    | 1  |       | On                                   |    |    |    |    |    |    |    |    |    |    |    |    |    |    |    |    |   |   |   |   |   |   |   |   |   |   |
| B                | R  | RAMBLOCK1 |       |    |       | RAM block 1 is on or off/powering up |    |    |    |    |    |    |    |    |    |    |    |    |    |    |    |    |   |   |   |   |   |   |   |   |   |   |
|                  |    |           | Off   | 0  |       | Off                                  |    |    |    |    |    |    |    |    |    |    |    |    |    |    |    |    |   |   |   |   |   |   |   |   |   |   |
|                  |    |           | On    | 1  |       | On                                   |    |    |    |    |    |    |    |    |    |    |    |    |    |    |    |    |   |   |   |   |   |   |   |   |   |   |
| C                | R  | RAMBLOCK2 |       |    |       | RAM block 2 is on or off/powering up |    |    |    |    |    |    |    |    |    |    |    |    |    |    |    |    |   |   |   |   |   |   |   |   |   |   |
|                  |    |           | Off   | 0  |       | Off                                  |    |    |    |    |    |    |    |    |    |    |    |    |    |    |    |    |   |   |   |   |   |   |   |   |   |   |
|                  |    |           | On    | 1  |       | On                                   |    |    |    |    |    |    |    |    |    |    |    |    |    |    |    |    |   |   |   |   |   |   |   |   |   |   |
| D                | R  | RAMBLOCK3 |       |    |       | RAM block 3 is on or off/powering up |    |    |    |    |    |    |    |    |    |    |    |    |    |    |    |    |   |   |   |   |   |   |   |   |   |   |
|                  |    |           | Off   | 0  |       | Off                                  |    |    |    |    |    |    |    |    |    |    |    |    |    |    |    |    |   |   |   |   |   |   |   |   |   |   |
|                  |    |           | On    | 1  |       | On                                   |    |    |    |    |    |    |    |    |    |    |    |    |    |    |    |    |   |   |   |   |   |   |   |   |   |   |

### 18.9.5 SYSTEMOFF

Address offset: 0x500

System OFF register

| Bit number       | 31 | 30        | 29    | 28 | 27    | 26                     | 25 | 24 | 23 | 22 | 21 | 20 | 19 | 18 | 17 | 16 | 15 | 14 | 13 | 12 | 11 | 10 | 9 | 8 | 7 | 6 | 5 | 4 | 3 | 2 | 1 | 0 |
|------------------|----|-----------|-------|----|-------|------------------------|----|----|----|----|----|----|----|----|----|----|----|----|----|----|----|----|---|---|---|---|---|---|---|---|---|---|
| Id               |    |           |       |    |       |                        |    |    |    |    |    |    |    |    |    |    |    |    |    |    |    |    |   |   |   |   |   | A |   |   |   |   |
| Reset 0x00000000 | 0  | 0         | 0     | 0  | 0     | 0                      | 0  | 0  | 0  | 0  | 0  | 0  | 0  | 0  | 0  | 0  | 0  | 0  | 0  | 0  | 0  | 0  | 0 | 0 | 0 | 0 | 0 | 0 | 0 | 0 | 0 | 0 |
| Id               | RW | Field     | Value | Id | Value | Description            |    |    |    |    |    |    |    |    |    |    |    |    |    |    |    |    |   |   |   |   |   |   |   |   |   |   |
| A                | W  | SYSTEMOFF |       |    |       | Enable System OFF mode |    |    |    |    |    |    |    |    |    |    |    |    |    |    |    |    |   |   |   |   |   |   |   |   |   |   |
|                  |    |           | Enter | 1  |       | Enable System OFF mode |    |    |    |    |    |    |    |    |    |    |    |    |    |    |    |    |   |   |   |   |   |   |   |   |   |   |

### 18.9.6 POFCON

Address offset: 0x510

Power failure comparator configuration

| Bit number       | 31 | 30    | 29       | 28 | 27    | 26   | 25 | 24 | 23 | 22 | 21 | 20 | 19 | 18 | 17 | 16 | 15 | 14 | 13 | 12 | 11 | 10 | 9 | 8 | 7 | 6 | 5 | 4 | 3 | 2 | 1 | 0 |
|------------------|----|-------|----------|----|-------|--|----|----|----|----|----|----|----|----|----|----|----|----|----|----|----|----|---|---|---|---|---|---|---|---|---|---|
| Id               |    |       |          |    |       |  |    |    |    |    |    |    |    |    |    |    | B  |    |    |    | B  | B  | B | A |   |   |   |   |   |   |   |   |
| Reset 0x00000000 | 0  | 0     | 0        | 0  | 0     | 0  | 0  | 0  | 0  | 0  | 0  | 0  | 0  | 0  | 0  | 0  | 0  | 0  | 0  | 0  | 0  | 0  | 0 | 0 | 0 | 0 | 0 | 0 | 0 | 0 | 0 | 0 |
| Id               | RW | Field | Value    | Id | Value | Description                                |    |    |    |    |    |    |    |    |    |    |    |    |    |    |    |    |   |   |   |   |   |   |   |   |   |   |
| A                | RW | POF   |          |    |       | Enable or disable power failure comparator |    |    |    |    |    |    |    |    |    |    |    |    |    |    |    |    |   |   |   |   |   |   |   |   |   |   |
|                  |    |       | Disabled | 0  |       | Disable                                    |    |    |    |    |    |    |    |    |    |    |    |    |    |    |    |    |   |   |   |   |   |   |   |   |   |   |

| Bit number       | 31 | 30        | 29       | 28    | 27   | 26 | 25 | 24 | 23 | 22 | 21 | 20 | 19 | 18 | 17 | 16 | 15 | 14 | 13 | 12 | 11 | 10 | 9 | 8 | 7 | 6 | 5 | 4 | 3 | 2 | 1 | 0 |
|------------------|----|-----------|----------|-------|--|----|----|----|----|----|----|----|----|----|----|----|----|----|----|----|----|----|---|---|---|---|---|---|---|---|---|---|
| Id               |    |           |          |       |  |    |    |    |    |    |    |    |    |    |    |    |    |    |    |    |    |    |   |   |   |   | B | B | B | B | A |   |
| Reset 0x00000000 | 0  | 0         | 0        | 0     | 0  | 0  | 0  | 0  | 0  | 0  | 0  | 0  | 0  | 0  | 0  | 0  | 0  | 0  | 0  | 0  | 0  | 0  | 0 | 0 | 0 | 0 | 0 | 0 | 0 | 0 | 0 | 0 |
| Id               | RW | Field     | Value Id | Value | Description                                |    |    |    |    |    |    |    |    |    |    |    |    |    |    |    |    |    |   |   |   |   |   |   |   |   |   |   |
|                  |    |           | Enabled  | 1     | Enable                                     |    |    |    |    |    |    |    |    |    |    |    |    |    |    |    |    |    |   |   |   |   |   |   |   |   |   |   |
| B                | RW | THRESHOLD |          |       | Power failure comparator threshold setting |    |    |    |    |    |    |    |    |    |    |    |    |    |    |    |    |    |   |   |   |   |   |   |   |   |   |   |
|                  |    |           | V17      | 4     | Set threshold to 1.7 V                     |    |    |    |    |    |    |    |    |    |    |    |    |    |    |    |    |    |   |   |   |   |   |   |   |   |   |   |
|                  |    |           | V18      | 5     | Set threshold to 1.8 V                     |    |    |    |    |    |    |    |    |    |    |    |    |    |    |    |    |    |   |   |   |   |   |   |   |   |   |   |
|                  |    |           | V19      | 6     | Set threshold to 1.9 V                     |    |    |    |    |    |    |    |    |    |    |    |    |    |    |    |    |    |   |   |   |   |   |   |   |   |   |   |
|                  |    |           | V20      | 7     | Set threshold to 2.0 V                     |    |    |    |    |    |    |    |    |    |    |    |    |    |    |    |    |    |   |   |   |   |   |   |   |   |   |   |
|                  |    |           | V21      | 8     | Set threshold to 2.1 V                     |    |    |    |    |    |    |    |    |    |    |    |    |    |    |    |    |    |   |   |   |   |   |   |   |   |   |   |
|                  |    |           | V22      | 9     | Set threshold to 2.2 V                     |    |    |    |    |    |    |    |    |    |    |    |    |    |    |    |    |    |   |   |   |   |   |   |   |   |   |   |
|                  |    |           | V23      | 10    | Set threshold to 2.3 V                     |    |    |    |    |    |    |    |    |    |    |    |    |    |    |    |    |    |   |   |   |   |   |   |   |   |   |   |
|                  |    |           | V24      | 11    | Set threshold to 2.4 V                     |    |    |    |    |    |    |    |    |    |    |    |    |    |    |    |    |    |   |   |   |   |   |   |   |   |   |   |
|                  |    |           | V25      | 12    | Set threshold to 2.5 V                     |    |    |    |    |    |    |    |    |    |    |    |    |    |    |    |    |    |   |   |   |   |   |   |   |   |   |   |
|                  |    |           | V26      | 13    | Set threshold to 2.6 V                     |    |    |    |    |    |    |    |    |    |    |    |    |    |    |    |    |    |   |   |   |   |   |   |   |   |   |   |
|                  |    |           | V27      | 14    | Set threshold to 2.7 V                     |    |    |    |    |    |    |    |    |    |    |    |    |    |    |    |    |    |   |   |   |   |   |   |   |   |   |   |
|                  |    |           | V28      | 15    | Set threshold to 2.8 V                     |    |    |    |    |    |    |    |    |    |    |    |    |    |    |    |    |    |   |   |   |   |   |   |   |   |   |   |

### 18.9.7 GPREGRET

Address offset: 0x51C

General purpose retention register

| Bit number       | 31 | 30       | 29       | 28    | 27                                   | 26 | 25 | 24 | 23 | 22 | 21 | 20 | 19 | 18 | 17 | 16 | 15 | 14 | 13 | 12 | 11 | 10 | 9 | 8 | 7 | 6 | 5 | 4 | 3 | 2 | 1 | 0 |   |
|------------------|----|----------|----------|-------|--------------------------------------|----|----|----|----|----|----|----|----|----|----|----|----|----|----|----|----|----|---|---|---|---|---|---|---|---|---|---|---|
| Id               |    |          |          |       |                                      |    |    |    |    |    |    |    |    |    |    |    |    |    |    |    |    |    |   |   |   |   | A | A | A | A | A | A | A |
| Reset 0x00000000 | 0  | 0        | 0        | 0     | 0                                    | 0  | 0  | 0  | 0  | 0  | 0  | 0  | 0  | 0  | 0  | 0  | 0  | 0  | 0  | 0  | 0  | 0  | 0 | 0 | 0 | 0 | 0 | 0 | 0 | 0 | 0 |   |   |
| Id               | RW | Field    | Value Id | Value | Description                          |    |    |    |    |    |    |    |    |    |    |    |    |    |    |    |    |    |   |   |   |   |   |   |   |   |   |   |   |
| A                | RW | GPREGRET |          |       | General purpose retention register   |    |    |    |    |    |    |    |    |    |    |    |    |    |    |    |    |    |   |   |   |   |   |   |   |   |   |   |   |
|                  |    |          |          |       | This register is a retained register |    |    |    |    |    |    |    |    |    |    |    |    |    |    |    |    |    |   |   |   |   |   |   |   |   |   |   |   |

### 18.9.8 GPREGRET2

Address offset: 0x520

General purpose retention register

| Bit number       | 31 | 30       | 29       | 28    | 27                                   | 26 | 25 | 24 | 23 | 22 | 21 | 20 | 19 | 18 | 17 | 16 | 15 | 14 | 13 | 12 | 11 | 10 | 9 | 8 | 7 | 6 | 5 | 4 | 3 | 2 | 1 | 0 |   |
|------------------|----|----------|----------|-------|--------------------------------------|----|----|----|----|----|----|----|----|----|----|----|----|----|----|----|----|----|---|---|---|---|---|---|---|---|---|---|---|
| Id               |    |          |          |       |                                      |    |    |    |    |    |    |    |    |    |    |    |    |    |    |    |    |    |   |   |   |   | A | A | A | A | A | A | A |
| Reset 0x00000000 | 0  | 0        | 0        | 0     | 0                                    | 0  | 0  | 0  | 0  | 0  | 0  | 0  | 0  | 0  | 0  | 0  | 0  | 0  | 0  | 0  | 0  | 0  | 0 | 0 | 0 | 0 | 0 | 0 | 0 | 0 | 0 |   |   |
| Id               | RW | Field    | Value Id | Value | Description                          |    |    |    |    |    |    |    |    |    |    |    |    |    |    |    |    |    |   |   |   |   |   |   |   |   |   |   |   |
| A                | RW | GPREGRET |          |       | General purpose retention register   |    |    |    |    |    |    |    |    |    |    |    |    |    |    |    |    |    |   |   |   |   |   |   |   |   |   |   |   |
|                  |    |          |          |       | This register is a retained register |    |    |    |    |    |    |    |    |    |    |    |    |    |    |    |    |    |   |   |   |   |   |   |   |   |   |   |   |

### 18.9.9 RAMON ( Deprecated )

Address offset: 0x524

RAM on/off register (this register is retained)

Since this register is deprecated the following substitutions have been made: RAM block 0 is equivalent to a block comprising RAM0.S0 and RAM0.S1 and RAM block 1 is equivalent to a block comprising RAM1.S0 and RAM1.S1. For new designs it is recommended to use the POWER.RAM-0.POWER and its sibling registers instead.

| Bit number       | 31 | 30     | 29       | 28    | 27   | 26 | 25 | 24 | 23 | 22 | 21 | 20 | 19 | 18 | 17 | 16 | 15 | 14 | 13 | 12 | 11 | 10 | 9 | 8 | 7 | 6 | 5 | 4 | 3 | 2 | 1 | 0 |   |  |  |  |  |  |  |  |  |  |  |  |  |  |  |  |  |  |  |  |  |  |  |   |   |
|------------------|----|--------|----------|-------|--|----|----|----|----|----|----|----|----|----|----|----|----|----|----|----|----|----|---|---|---|---|---|---|---|---|---|---|---|--|--|--|--|--|--|--|--|--|--|--|--|--|--|--|--|--|--|--|--|--|--|---|---|
| Id               |    |        |          |       |  |    |    |    |    |    |    |    |    |    |    |    |    |    |    |    |    |    |   |   |   |   | D | C |   |   |   |   |   |  |  |  |  |  |  |  |  |  |  |  |  |  |  |  |  |  |  |  |  |  |  | B | A |
| Reset 0x00000003 | 0  | 0      | 0        | 0     | 0  | 0  | 0  | 0  | 0  | 0  | 0  | 0  | 0  | 0  | 0  | 0  | 0  | 0  | 0  | 0  | 0  | 0  | 0 | 0 | 0 | 0 | 0 | 0 | 0 | 0 | 0 | 1 | 1 |  |  |  |  |  |  |  |  |  |  |  |  |  |  |  |  |  |  |  |  |  |  |   |   |
| Id               | RW | Field  | Value Id | Value | Description                                  |    |    |    |    |    |    |    |    |    |    |    |    |    |    |    |    |    |   |   |   |   |   |   |   |   |   |   |   |  |  |  |  |  |  |  |  |  |  |  |  |  |  |  |  |  |  |  |  |  |  |   |   |
| A                | RW | ONRAM0 |          |       | Keep RAM block 0 on or off in system ON Mode |    |    |    |    |    |    |    |    |    |    |    |    |    |    |    |    |    |   |   |   |   |   |   |   |   |   |   |   |  |  |  |  |  |  |  |  |  |  |  |  |  |  |  |  |  |  |  |  |  |  |   |   |
|                  |    |        | RAM0Off  | 0     | Off  |    |    |    |    |    |    |    |    |    |    |    |    |    |    |    |    |    |   |   |   |   |   |   |   |   |   |   |   |  |  |  |  |  |  |  |  |  |  |  |  |  |  |  |  |  |  |  |  |  |  |   |   |

| Bit number       | 31 30 29 28 27 26 25 24 23 22 21 20 19 18 17 16 15 14 13 12 11 10 9 8 7 6 5 4 3 2 1 0 |         |          |       |  |  |  |  |  |  |  |  |  |  |  |  |  |  |  |  |  |  |  |  |  |  |  |  |   |   |  |  |   |   |
|------------------|---|---------|----------|-------|--|--|--|--|--|--|--|--|--|--|--|--|--|--|--|--|--|--|--|--|--|--|--|--|---|---|--|--|---|---|
| Id               |   |         |          |       |  |  |  |  |  |  |  |  |  |  |  |  |  |  |  |  |  |  |  |  |  |  |  |  | D | C |  |  | B | A |
| Reset 0x00000003 | 0 1 1         |         |          |       |  |  |  |  |  |  |  |  |  |  |  |  |  |  |  |  |  |  |  |  |  |  |  |  |   |   |  |  |   |   |
| Id               | RW  | Field   | Value Id | Value | Description  |  |  |  |  |  |  |  |  |  |  |  |  |  |  |  |  |  |  |  |  |  |  |  |   |   |  |  |   |   |
|                  |   |         | RAM0On   | 1     | On   |  |  |  |  |  |  |  |  |  |  |  |  |  |  |  |  |  |  |  |  |  |  |  |   |   |  |  |   |   |
| B                | RW  | ONRAM1  |          |       | Keep RAM block 1 on or off in system ON Mode                 |  |  |  |  |  |  |  |  |  |  |  |  |  |  |  |  |  |  |  |  |  |  |  |   |   |  |  |   |   |
|                  |   |         | RAM1Off  | 0     | Off  |  |  |  |  |  |  |  |  |  |  |  |  |  |  |  |  |  |  |  |  |  |  |  |   |   |  |  |   |   |
|                  |   |         | RAM1On   | 1     | On   |  |  |  |  |  |  |  |  |  |  |  |  |  |  |  |  |  |  |  |  |  |  |  |   |   |  |  |   |   |
| C                | RW  | OFFRAM0 |          |       | Keep retention on RAM block 0 when RAM block is switched off |  |  |  |  |  |  |  |  |  |  |  |  |  |  |  |  |  |  |  |  |  |  |  |   |   |  |  |   |   |
|                  |   |         | RAM0Off  | 0     | Off  |  |  |  |  |  |  |  |  |  |  |  |  |  |  |  |  |  |  |  |  |  |  |  |   |   |  |  |   |   |
|                  |   |         | RAM0On   | 1     | On   |  |  |  |  |  |  |  |  |  |  |  |  |  |  |  |  |  |  |  |  |  |  |  |   |   |  |  |   |   |
| D                | RW  | OFFRAM1 |          |       | Keep retention on RAM block 1 when RAM block is switched off |  |  |  |  |  |  |  |  |  |  |  |  |  |  |  |  |  |  |  |  |  |  |  |   |   |  |  |   |   |
|                  |   |         | RAM1Off  | 0     | Off  |  |  |  |  |  |  |  |  |  |  |  |  |  |  |  |  |  |  |  |  |  |  |  |   |   |  |  |   |   |
|                  |   |         | RAM1On   | 1     | On   |  |  |  |  |  |  |  |  |  |  |  |  |  |  |  |  |  |  |  |  |  |  |  |   |   |  |  |   |   |

### 18.9.10 RAMONB ( Deprecated )

Address offset: 0x554

RAM on/off register (this register is retained)

Since this register is deprecated the following substitutions have been made: RAM block 2 is equivalent to a block comprising RAM2.S0 and RAM2.S1 and RAM block 3 is equivalent to a block comprising RAM3.S0 and RAM3.S1. For new designs it is recommended to use the POWER.RAM-0.POWER and its sibling registers instead.

| Bit number       | 31 30 29 28 27 26 25 24 23 22 21 20 19 18 17 16 15 14 13 12 11 10 9 8 7 6 5 4 3 2 1 0 |         |          |       |  |  |  |  |  |  |  |  |  |  |  |  |  |  |  |  |  |  |  |  |  |  |  |  |   |   |  |  |   |   |
|------------------|---|---------|----------|-------|--|--|--|--|--|--|--|--|--|--|--|--|--|--|--|--|--|--|--|--|--|--|--|--|---|---|--|--|---|---|
| Id               |   |         |          |       |  |  |  |  |  |  |  |  |  |  |  |  |  |  |  |  |  |  |  |  |  |  |  |  | D | C |  |  | B | A |
| Reset 0x00000003 | 0 1 1         |         |          |       |  |  |  |  |  |  |  |  |  |  |  |  |  |  |  |  |  |  |  |  |  |  |  |  |   |   |  |  |   |   |
| Id               | RW  | Field   | Value Id | Value | Description  |  |  |  |  |  |  |  |  |  |  |  |  |  |  |  |  |  |  |  |  |  |  |  |   |   |  |  |   |   |
| A                | RW  | ONRAM2  |          |       | Keep RAM block 2 on or off in system ON Mode                 |  |  |  |  |  |  |  |  |  |  |  |  |  |  |  |  |  |  |  |  |  |  |  |   |   |  |  |   |   |
|                  |   |         | RAM2Off  | 0     | Off  |  |  |  |  |  |  |  |  |  |  |  |  |  |  |  |  |  |  |  |  |  |  |  |   |   |  |  |   |   |
|                  |   |         | RAM2On   | 1     | On   |  |  |  |  |  |  |  |  |  |  |  |  |  |  |  |  |  |  |  |  |  |  |  |   |   |  |  |   |   |
| B                | RW  | ONRAM3  |          |       | Keep RAM block 3 on or off in system ON Mode                 |  |  |  |  |  |  |  |  |  |  |  |  |  |  |  |  |  |  |  |  |  |  |  |   |   |  |  |   |   |
|                  |   |         | RAM3Off  | 0     | Off  |  |  |  |  |  |  |  |  |  |  |  |  |  |  |  |  |  |  |  |  |  |  |  |   |   |  |  |   |   |
|                  |   |         | RAM3On   | 1     | On   |  |  |  |  |  |  |  |  |  |  |  |  |  |  |  |  |  |  |  |  |  |  |  |   |   |  |  |   |   |
| C                | RW  | OFFRAM2 |          |       | Keep retention on RAM block 2 when RAM block is switched off |  |  |  |  |  |  |  |  |  |  |  |  |  |  |  |  |  |  |  |  |  |  |  |   |   |  |  |   |   |
|                  |   |         | RAM2Off  | 0     | Off  |  |  |  |  |  |  |  |  |  |  |  |  |  |  |  |  |  |  |  |  |  |  |  |   |   |  |  |   |   |
|                  |   |         | RAM2On   | 1     | On   |  |  |  |  |  |  |  |  |  |  |  |  |  |  |  |  |  |  |  |  |  |  |  |   |   |  |  |   |   |
| D                | RW  | OFFRAM3 |          |       | Keep retention on RAM block 3 when RAM block is switched off |  |  |  |  |  |  |  |  |  |  |  |  |  |  |  |  |  |  |  |  |  |  |  |   |   |  |  |   |   |
|                  |   |         | RAM3Off  | 0     | Off  |  |  |  |  |  |  |  |  |  |  |  |  |  |  |  |  |  |  |  |  |  |  |  |   |   |  |  |   |   |
|                  |   |         | RAM3On   | 1     | On   |  |  |  |  |  |  |  |  |  |  |  |  |  |  |  |  |  |  |  |  |  |  |  |   |   |  |  |   |   |

### 18.9.11 DCDCEN

Address offset: 0x578

DC/DC enable register

| Bit number       | 31 30 29 28 27 26 25 24 23 22 21 20 19 18 17 16 15 14 13 12 11 10 9 8 7 6 5 4 3 2 1 0 |        |          |       |                                   |  |  |  |  |  |  |  |  |  |  |  |  |  |  |  |  |  |  |  |  |  |  |  |  |  |   |
|------------------|---|--------|----------|-------|-----------------------------------|--|--|--|--|--|--|--|--|--|--|--|--|--|--|--|--|--|--|--|--|--|--|--|--|--|---|
| Id               |   |        |          |       |                                   |  |  |  |  |  |  |  |  |  |  |  |  |  |  |  |  |  |  |  |  |  |  |  |  |  | A |
| Reset 0x00000000 | 0             |        |          |       |                                   |  |  |  |  |  |  |  |  |  |  |  |  |  |  |  |  |  |  |  |  |  |  |  |  |  |   |
| Id               | RW  | Field  | Value Id | Value | Description                       |  |  |  |  |  |  |  |  |  |  |  |  |  |  |  |  |  |  |  |  |  |  |  |  |  |   |
| A                | RW  | DCDCEN |          |       | Enable or disable DC/DC converter |  |  |  |  |  |  |  |  |  |  |  |  |  |  |  |  |  |  |  |  |  |  |  |  |  |   |
|                  |   |        | Disabled | 0     | Disable                           |  |  |  |  |  |  |  |  |  |  |  |  |  |  |  |  |  |  |  |  |  |  |  |  |  |   |
|                  |   |        | Enabled  | 1     | Enable                            |  |  |  |  |  |  |  |  |  |  |  |  |  |  |  |  |  |  |  |  |  |  |  |  |  |   |

### 18.9.12 RAM[0].POWER

Address offset: 0x900

RAM0 power control register



| Bit number       | 31 30 29 28 27 26 25 24 23 22 21 20 19 18 17 16 15 14 13 12 11 10 9 8 7 6 5 4 3 2 1 0 |             |          |       |  |  |  |  |  |  |  |  |  |  |  |  |  |  |  |  |  |  |  |  |  |  |  |  |   |   |  |  |   |   |
|------------------|---|-------------|----------|-------|--|--|--|--|--|--|--|--|--|--|--|--|--|--|--|--|--|--|--|--|--|--|--|--|---|---|--|--|---|---|
| Id               |   |             |          |       |  |  |  |  |  |  |  |  |  |  |  |  |  |  |  |  |  |  |  |  |  |  |  |  | D | C |  |  | B | A |
| Reset 0x0000FFFF | 0 0 0 0 0 0 0 0 0 0 0 0 0 0 0 0 0 1             |             |          |       |  |  |  |  |  |  |  |  |  |  |  |  |  |  |  |  |  |  |  |  |  |  |  |  |   |   |  |  |   |   |
| Id               | RW  | Field       | Value Id | Value | Description  |  |  |  |  |  |  |  |  |  |  |  |  |  |  |  |  |  |  |  |  |  |  |  |   |   |  |  |   |   |
| A                | RW  | S0POWER     |          |       | Keep RAM section S0 ON or OFF in System ON mode.<br><br>RAM sections are always retained when ON, but can also be retained when OFF dependent on the settings in S0RETENTION. All RAM sections will be OFF in System OFF mode. |  |  |  |  |  |  |  |  |  |  |  |  |  |  |  |  |  |  |  |  |  |  |  |   |   |  |  |   |   |
|                  |   |             | Off      | 0     | Off  |  |  |  |  |  |  |  |  |  |  |  |  |  |  |  |  |  |  |  |  |  |  |  |   |   |  |  |   |   |
|                  |   |             | On       | 1     | On   |  |  |  |  |  |  |  |  |  |  |  |  |  |  |  |  |  |  |  |  |  |  |  |   |   |  |  |   |   |
| B                | RW  | S1POWER     |          |       | Keep RAM section S1 ON or OFF in System ON mode.<br><br>RAM sections are always retained when ON, but can also be retained when OFF dependent on the settings in S1RETENTION. All RAM sections will be OFF in System OFF mode. |  |  |  |  |  |  |  |  |  |  |  |  |  |  |  |  |  |  |  |  |  |  |  |   |   |  |  |   |   |
|                  |   |             | Off      | 0     | Off  |  |  |  |  |  |  |  |  |  |  |  |  |  |  |  |  |  |  |  |  |  |  |  |   |   |  |  |   |   |
|                  |   |             | On       | 1     | On   |  |  |  |  |  |  |  |  |  |  |  |  |  |  |  |  |  |  |  |  |  |  |  |   |   |  |  |   |   |
| C                | RW  | S0RETENTION |          |       | Keep retention on RAM section S0 when RAM section is in OFF  |  |  |  |  |  |  |  |  |  |  |  |  |  |  |  |  |  |  |  |  |  |  |  |   |   |  |  |   |   |
|                  |   |             | Off      | 0     | Off  |  |  |  |  |  |  |  |  |  |  |  |  |  |  |  |  |  |  |  |  |  |  |  |   |   |  |  |   |   |
|                  |   |             | On       | 1     | On   |  |  |  |  |  |  |  |  |  |  |  |  |  |  |  |  |  |  |  |  |  |  |  |   |   |  |  |   |   |
| D                | RW  | S1RETENTION |          |       | Keep retention on RAM section S1 when RAM section is in OFF  |  |  |  |  |  |  |  |  |  |  |  |  |  |  |  |  |  |  |  |  |  |  |  |   |   |  |  |   |   |
|                  |   |             | Off      | 0     | Off  |  |  |  |  |  |  |  |  |  |  |  |  |  |  |  |  |  |  |  |  |  |  |  |   |   |  |  |   |   |
|                  |   |             | On       | 1     | On   |  |  |  |  |  |  |  |  |  |  |  |  |  |  |  |  |  |  |  |  |  |  |  |   |   |  |  |   |   |

### 18.9.13 RAM[0].POWERSET

Address offset: 0x904

RAM0 power control set register

When read, this register will return the value of the POWER register.

| Bit number       | 31 30 29 28 27 26 25 24 23 22 21 20 19 18 17 16 15 14 13 12 11 10 9 8 7 6 5 4 3 2 1 0 |             |          |       |   |  |  |  |  |  |  |  |  |  |  |  |  |  |  |  |  |  |  |  |  |  |  |  |   |   |  |  |   |   |
|------------------|---|-------------|----------|-------|---|--|--|--|--|--|--|--|--|--|--|--|--|--|--|--|--|--|--|--|--|--|--|--|---|---|--|--|---|---|
| Id               |   |             |          |       |   |  |  |  |  |  |  |  |  |  |  |  |  |  |  |  |  |  |  |  |  |  |  |  | D | C |  |  | B | A |
| Reset 0x0000FFFF | 0 0 0 0 0 0 0 0 0 0 0 0 0 0 0 0 0 1             |             |          |       |   |  |  |  |  |  |  |  |  |  |  |  |  |  |  |  |  |  |  |  |  |  |  |  |   |   |  |  |   |   |
| Id               | RW  | Field       | Value Id | Value | Description   |  |  |  |  |  |  |  |  |  |  |  |  |  |  |  |  |  |  |  |  |  |  |  |   |   |  |  |   |   |
| A                | W   | S0POWER     |          |       | Keep RAM section S0 of RAM0 on or off in System ON mode           |  |  |  |  |  |  |  |  |  |  |  |  |  |  |  |  |  |  |  |  |  |  |  |   |   |  |  |   |   |
|                  |   |             | On       | 1     | On  |  |  |  |  |  |  |  |  |  |  |  |  |  |  |  |  |  |  |  |  |  |  |  |   |   |  |  |   |   |
| B                | W   | S1POWER     |          |       | Keep RAM section S1 of RAM0 on or off in System ON mode           |  |  |  |  |  |  |  |  |  |  |  |  |  |  |  |  |  |  |  |  |  |  |  |   |   |  |  |   |   |
|                  |   |             | On       | 1     | On  |  |  |  |  |  |  |  |  |  |  |  |  |  |  |  |  |  |  |  |  |  |  |  |   |   |  |  |   |   |
| C                | W   | S0RETENTION |          |       | Keep retention on RAM section S0 when RAM section is switched off |  |  |  |  |  |  |  |  |  |  |  |  |  |  |  |  |  |  |  |  |  |  |  |   |   |  |  |   |   |
|                  |   |             | On       | 1     | On  |  |  |  |  |  |  |  |  |  |  |  |  |  |  |  |  |  |  |  |  |  |  |  |   |   |  |  |   |   |
| D                | W   | S1RETENTION |          |       | Keep retention on RAM section S1 when RAM section is switched off |  |  |  |  |  |  |  |  |  |  |  |  |  |  |  |  |  |  |  |  |  |  |  |   |   |  |  |   |   |
|                  |   |             | On       | 1     | On  |  |  |  |  |  |  |  |  |  |  |  |  |  |  |  |  |  |  |  |  |  |  |  |   |   |  |  |   |   |

### 18.9.14 RAM[0].POWERCLR

Address offset: 0x908

RAM0 power control clear register

When read, this register will return the value of the POWER register.

| Bit number       | 31 30 29 28 27 26 25 24 23 22 21 20 19 18 17 16 15 14 13 12 11 10 9 8 7 6 5 4 3 2 1 0 |         |          |       |   |  |  |  |  |  |  |  |  |  |  |  |  |  |  |  |  |  |  |  |  |  |  |  |   |   |  |  |   |   |
|------------------|---|---------|----------|-------|---|--|--|--|--|--|--|--|--|--|--|--|--|--|--|--|--|--|--|--|--|--|--|--|---|---|--|--|---|---|
| Id               |   |         |          |       |   |  |  |  |  |  |  |  |  |  |  |  |  |  |  |  |  |  |  |  |  |  |  |  | D | C |  |  | B | A |
| Reset 0x0000FFFF | 0 0 0 0 0 0 0 0 0 0 0 0 0 0 0 0 0 1             |         |          |       |   |  |  |  |  |  |  |  |  |  |  |  |  |  |  |  |  |  |  |  |  |  |  |  |   |   |  |  |   |   |
| Id               | RW  | Field   | Value Id | Value | Description   |  |  |  |  |  |  |  |  |  |  |  |  |  |  |  |  |  |  |  |  |  |  |  |   |   |  |  |   |   |
| A                | W   | S0POWER |          |       | Keep RAM section S0 of RAM0 on or off in System ON mode |  |  |  |  |  |  |  |  |  |  |  |  |  |  |  |  |  |  |  |  |  |  |  |   |   |  |  |   |   |
|                  |   |         | Off      | 1     | Off   |  |  |  |  |  |  |  |  |  |  |  |  |  |  |  |  |  |  |  |  |  |  |  |   |   |  |  |   |   |
| B                | W   | S1POWER |          |       | Keep RAM section S1 of RAM0 on or off in System ON mode |  |  |  |  |  |  |  |  |  |  |  |  |  |  |  |  |  |  |  |  |  |  |  |   |   |  |  |   |   |

| Bit number       | 31 | 30          | 29    | 28 | 27    | 26  | 25 | 24 | 23 | 22 | 21 | 20 | 19 | 18 | 17 | 16 | 15 | 14 | 13 | 12 | 11 | 10 | 9 | 8 | 7 | 6 | 5 | 4 | 3 | 2 | 1 | 0 |   |
|------------------|----|-------------|-------|----|-------|---|----|----|----|----|----|----|----|----|----|----|----|----|----|----|----|----|---|---|---|---|---|---|---|---|---|---|---|
| Id               |    |             |       |    |       |   |    |    |    |    |    |    |    |    | D  | C  |    |    |    |    |    |    |   |   |   |   |   |   |   |   | B | A |   |
| Reset 0x0000FFFF | 0  | 0           | 0     | 0  | 0     | 0   | 0  | 0  | 0  | 0  | 0  | 0  | 0  | 0  | 0  | 0  | 1  | 1  | 1  | 1  | 1  | 1  | 1 | 1 | 1 | 1 | 1 | 1 | 1 | 1 | 1 | 1 | 1 |
| Id               | RW | Field       | Value | Id | Value | Description   |    |    |    |    |    |    |    |    |    |    |    |    |    |    |    |    |   |   |   |   |   |   |   |   |   |   |   |
|                  |    |             | Off   |    | 1     | Off   |    |    |    |    |    |    |    |    |    |    |    |    |    |    |    |    |   |   |   |   |   |   |   |   |   |   |   |
| C                | W  | S0RETENTION |       |    |       | Keep retention on RAM section S0 when RAM section is switched off |    |    |    |    |    |    |    |    |    |    |    |    |    |    |    |    |   |   |   |   |   |   |   |   |   |   |   |
|                  |    |             | Off   |    | 1     | Off   |    |    |    |    |    |    |    |    |    |    |    |    |    |    |    |    |   |   |   |   |   |   |   |   |   |   |   |
| D                | W  | S1RETENTION |       |    |       | Keep retention on RAM section S1 when RAM section is switched off |    |    |    |    |    |    |    |    |    |    |    |    |    |    |    |    |   |   |   |   |   |   |   |   |   |   |   |
|                  |    |             | Off   |    | 1     | Off   |    |    |    |    |    |    |    |    |    |    |    |    |    |    |    |    |   |   |   |   |   |   |   |   |   |   |   |

### 18.9.15 RAM[1].POWER

Address offset: 0x910

RAM1 power control register

| Bit number       | 31 | 30          | 29    | 28 | 27    | 26  | 25 | 24 | 23 | 22 | 21 | 20 | 19 | 18 | 17 | 16 | 15 | 14 | 13 | 12 | 11 | 10 | 9 | 8 | 7 | 6 | 5 | 4 | 3 | 2 | 1 | 0 |
|------------------|----|-------------|-------|----|-------|---|----|----|----|----|----|----|----|----|----|----|----|----|----|----|----|----|---|---|---|---|---|---|---|---|---|---|
| Id               |    |             |       |    |       |   |    |    |    |    |    |    |    |    | D  | C  |    |    |    |    |    |    |   |   |   |   |   |   |   |   | B | A |
| Reset 0x0000FFFF | 0  | 0           | 0     | 0  | 0     | 0   | 0  | 0  | 0  | 0  | 0  | 0  | 0  | 0  | 0  | 0  | 1  | 1  | 1  | 1  | 1  | 1  | 1 | 1 | 1 | 1 | 1 | 1 | 1 | 1 | 1 | 1 |
| Id               | RW | Field       | Value | Id | Value | Description   |    |    |    |    |    |    |    |    |    |    |    |    |    |    |    |    |   |   |   |   |   |   |   |   |   |   |
| A                | RW | S0POWER     |       |    |       | Keep RAM section S0 ON or OFF in System ON mode.            |    |    |    |    |    |    |    |    |    |    |    |    |    |    |    |    |   |   |   |   |   |   |   |   |   |   |
|                  |    |             | Off   |    | 0     | Off   |    |    |    |    |    |    |    |    |    |    |    |    |    |    |    |    |   |   |   |   |   |   |   |   |   |   |
|                  |    |             | On    |    | 1     | On  |    |    |    |    |    |    |    |    |    |    |    |    |    |    |    |    |   |   |   |   |   |   |   |   |   |   |
| B                | RW | S1POWER     |       |    |       | Keep RAM section S1 ON or OFF in System ON mode.            |    |    |    |    |    |    |    |    |    |    |    |    |    |    |    |    |   |   |   |   |   |   |   |   |   |   |
|                  |    |             | Off   |    | 0     | Off   |    |    |    |    |    |    |    |    |    |    |    |    |    |    |    |    |   |   |   |   |   |   |   |   |   |   |
|                  |    |             | On    |    | 1     | On  |    |    |    |    |    |    |    |    |    |    |    |    |    |    |    |    |   |   |   |   |   |   |   |   |   |   |
| C                | RW | S0RETENTION |       |    |       | Keep retention on RAM section S0 when RAM section is in OFF |    |    |    |    |    |    |    |    |    |    |    |    |    |    |    |    |   |   |   |   |   |   |   |   |   |   |
|                  |    |             | Off   |    | 0     | Off   |    |    |    |    |    |    |    |    |    |    |    |    |    |    |    |    |   |   |   |   |   |   |   |   |   |   |
|                  |    |             | On    |    | 1     | On  |    |    |    |    |    |    |    |    |    |    |    |    |    |    |    |    |   |   |   |   |   |   |   |   |   |   |
| D                | RW | S1RETENTION |       |    |       | Keep retention on RAM section S1 when RAM section is in OFF |    |    |    |    |    |    |    |    |    |    |    |    |    |    |    |    |   |   |   |   |   |   |   |   |   |   |
|                  |    |             | Off   |    | 0     | Off   |    |    |    |    |    |    |    |    |    |    |    |    |    |    |    |    |   |   |   |   |   |   |   |   |   |   |
|                  |    |             | On    |    | 1     | On  |    |    |    |    |    |    |    |    |    |    |    |    |    |    |    |    |   |   |   |   |   |   |   |   |   |   |

### 18.9.16 RAM[1].POWERSET

Address offset: 0x914

RAM1 power control set register

When read, this register will return the value of the POWER register.

| Bit number       | 31 | 30          | 29    | 28 | 27    | 26  | 25 | 24 | 23 | 22 | 21 | 20 | 19 | 18 | 17 | 16 | 15 | 14 | 13 | 12 | 11 | 10 | 9 | 8 | 7 | 6 | 5 | 4 | 3 | 2 | 1 | 0 |
|------------------|----|-------------|-------|----|-------|---|----|----|----|----|----|----|----|----|----|----|----|----|----|----|----|----|---|---|---|---|---|---|---|---|---|---|
| Id               |    |             |       |    |       |   |    |    |    |    |    |    |    |    | D  | C  |    |    |    |    |    |    |   |   |   |   |   |   |   |   | B | A |
| Reset 0x0000FFFF | 0  | 0           | 0     | 0  | 0     | 0   | 0  | 0  | 0  | 0  | 0  | 0  | 0  | 0  | 0  | 0  | 1  | 1  | 1  | 1  | 1  | 1  | 1 | 1 | 1 | 1 | 1 | 1 | 1 | 1 | 1 | 1 |
| Id               | RW | Field       | Value | Id | Value | Description   |    |    |    |    |    |    |    |    |    |    |    |    |    |    |    |    |   |   |   |   |   |   |   |   |   |   |
| A                | W  | S0POWER     |       |    |       | Keep RAM section S0 of RAM1 on or off in System ON mode           |    |    |    |    |    |    |    |    |    |    |    |    |    |    |    |    |   |   |   |   |   |   |   |   |   |   |
|                  |    |             | On    |    | 1     | On  |    |    |    |    |    |    |    |    |    |    |    |    |    |    |    |    |   |   |   |   |   |   |   |   |   |   |
| B                | W  | S1POWER     |       |    |       | Keep RAM section S1 of RAM1 on or off in System ON mode           |    |    |    |    |    |    |    |    |    |    |    |    |    |    |    |    |   |   |   |   |   |   |   |   |   |   |
|                  |    |             | On    |    | 1     | On  |    |    |    |    |    |    |    |    |    |    |    |    |    |    |    |    |   |   |   |   |   |   |   |   |   |   |
| C                | W  | S0RETENTION |       |    |       | Keep retention on RAM section S0 when RAM section is switched off |    |    |    |    |    |    |    |    |    |    |    |    |    |    |    |    |   |   |   |   |   |   |   |   |   |   |
|                  |    |             | On    |    | 1     | On  |    |    |    |    |    |    |    |    |    |    |    |    |    |    |    |    |   |   |   |   |   |   |   |   |   |   |

| Bit number       | 31 | 30          | 29    | 28 | 27    | 26  | 25 | 24 | 23 | 22 | 21 | 20 | 19 | 18 | 17 | 16 | 15 | 14 | 13 | 12 | 11 | 10 | 9 | 8 | 7 | 6 | 5 | 4 | 3 | 2 | 1 | 0 |
|------------------|----|-------------|-------|----|-------|---|----|----|----|----|----|----|----|----|----|----|----|----|----|----|----|----|---|---|---|---|---|---|---|---|---|---|
| Id               |    |             |       |    |       |   |    |    |    |    |    |    |    |    | D  | C  |    |    |    |    |    |    |   |   |   |   |   |   | B | A |   |   |
| Reset 0x0000FFFF | 0  | 0           | 0     | 0  | 0     | 0   | 0  | 0  | 0  | 0  | 0  | 0  | 0  | 0  | 0  | 1  | 1  | 1  | 1  | 1  | 1  | 1  | 1 | 1 | 1 | 1 | 1 | 1 | 1 | 1 | 1 | 1 |
| Id               | RW | Field       | Value | Id | Value | Description   |    |    |    |    |    |    |    |    |    |    |    |    |    |    |    |    |   |   |   |   |   |   |   |   |   |   |
| D                | W  | S1RETENTION | On    |    | 1     | Keep retention on RAM section S1 when RAM section is switched off |    |    |    |    |    |    |    |    |    |    |    |    |    |    |    |    |   |   |   |   |   |   |   |   |   |   |

### 18.9.17 RAM[1].POWERCLR

Address offset: 0x918

RAM1 power control clear register

When read, this register will return the value of the POWER register.

| Bit number       | 31 | 30          | 29    | 28 | 27    | 26  | 25 | 24 | 23 | 22 | 21 | 20 | 19 | 18 | 17 | 16 | 15 | 14 | 13 | 12 | 11 | 10 | 9 | 8 | 7 | 6 | 5 | 4 | 3 | 2 | 1 | 0 |
|------------------|----|-------------|-------|----|-------|---|----|----|----|----|----|----|----|----|----|----|----|----|----|----|----|----|---|---|---|---|---|---|---|---|---|---|
| Id               |    |             |       |    |       |   |    |    |    |    |    |    |    |    | D  | C  |    |    |    |    |    |    |   |   |   |   |   |   | B | A |   |   |
| Reset 0x0000FFFF | 0  | 0           | 0     | 0  | 0     | 0   | 0  | 0  | 0  | 0  | 0  | 0  | 0  | 0  | 0  | 1  | 1  | 1  | 1  | 1  | 1  | 1  | 1 | 1 | 1 | 1 | 1 | 1 | 1 | 1 | 1 |   |
| Id               | RW | Field       | Value | Id | Value | Description   |    |    |    |    |    |    |    |    |    |    |    |    |    |    |    |    |   |   |   |   |   |   |   |   |   |   |
| A                | W  | S0POWER     | Off   |    | 1     | Keep RAM section S0 of RAM1 on or off in System ON mode           |    |    |    |    |    |    |    |    |    |    |    |    |    |    |    |    |   |   |   |   |   |   |   |   |   |   |
| B                | W  | S1POWER     | Off   |    | 1     | Keep RAM section S1 of RAM1 on or off in System ON mode           |    |    |    |    |    |    |    |    |    |    |    |    |    |    |    |    |   |   |   |   |   |   |   |   |   |   |
| C                | W  | S0RETENTION | Off   |    | 1     | Keep retention on RAM section S0 when RAM section is switched off |    |    |    |    |    |    |    |    |    |    |    |    |    |    |    |    |   |   |   |   |   |   |   |   |   |   |
| D                | W  | S1RETENTION | Off   |    | 1     | Keep retention on RAM section S1 when RAM section is switched off |    |    |    |    |    |    |    |    |    |    |    |    |    |    |    |    |   |   |   |   |   |   |   |   |   |   |

### 18.9.18 RAM[2].POWER

Address offset: 0x920

RAM2 power control register

| Bit number       | 31 | 30          | 29    | 28 | 27    | 26   | 25 | 24 | 23 | 22 | 21 | 20 | 19 | 18 | 17 | 16 | 15 | 14 | 13 | 12 | 11 | 10 | 9 | 8 | 7 | 6 | 5 | 4 | 3 | 2 | 1 | 0 |
|------------------|----|-------------|-------|----|-------|--|----|----|----|----|----|----|----|----|----|----|----|----|----|----|----|----|---|---|---|---|---|---|---|---|---|---|
| Id               |    |             |       |    |       |  |    |    |    |    |    |    |    |    | D  | C  |    |    |    |    |    |    |   |   |   |   |   |   | B | A |   |   |
| Reset 0x0000FFFF | 0  | 0           | 0     | 0  | 0     | 0  | 0  | 0  | 0  | 0  | 0  | 0  | 0  | 0  | 0  | 1  | 1  | 1  | 1  | 1  | 1  | 1  | 1 | 1 | 1 | 1 | 1 | 1 | 1 | 1 | 1 |   |
| Id               | RW | Field       | Value | Id | Value | Description  |    |    |    |    |    |    |    |    |    |    |    |    |    |    |    |    |   |   |   |   |   |   |   |   |   |   |
| A                | RW | S0POWER     | Off   |    | 0     | Keep RAM section S0 ON or OFF in System ON mode.   |    |    |    |    |    |    |    |    |    |    |    |    |    |    |    |    |   |   |   |   |   |   |   |   |   |   |
|                  |    |             | On    |    | 1     | RAM sections are always retained when ON, but can also be retained when OFF dependent on the settings in S0RETENTION. All RAM sections will be OFF in System OFF mode. |    |    |    |    |    |    |    |    |    |    |    |    |    |    |    |    |   |   |   |   |   |   |   |   |   |   |
| B                | RW | S1POWER     | Off   |    | 0     | Keep RAM section S1 ON or OFF in System ON mode.   |    |    |    |    |    |    |    |    |    |    |    |    |    |    |    |    |   |   |   |   |   |   |   |   |   |   |
|                  |    |             | On    |    | 1     | RAM sections are always retained when ON, but can also be retained when OFF dependent on the settings in S1RETENTION. All RAM sections will be OFF in System OFF mode. |    |    |    |    |    |    |    |    |    |    |    |    |    |    |    |    |   |   |   |   |   |   |   |   |   |   |
| C                | RW | S0RETENTION | Off   |    | 0     | Keep retention on RAM section S0 when RAM section is in OFF  |    |    |    |    |    |    |    |    |    |    |    |    |    |    |    |    |   |   |   |   |   |   |   |   |   |   |
|                  |    |             | On    |    | 1     |  |    |    |    |    |    |    |    |    |    |    |    |    |    |    |    |    |   |   |   |   |   |   |   |   |   |   |
| D                | RW | S1RETENTION | Off   |    | 0     | Keep retention on RAM section S1 when RAM section is in OFF  |    |    |    |    |    |    |    |    |    |    |    |    |    |    |    |    |   |   |   |   |   |   |   |   |   |   |
|                  |    |             | On    |    | 1     |  |    |    |    |    |    |    |    |    |    |    |    |    |    |    |    |    |   |   |   |   |   |   |   |   |   |   |

### 18.9.19 RAM[2].POWERSET

Address offset: 0x924

RAM2 power control set register

When read, this register will return the value of the POWER register.

| Bit number       | 31 | 30          | 29    | 28 | 27    | 26  | 25 | 24 | 23 | 22 | 21 | 20 | 19 | 18 | 17 | 16 | 15 | 14 | 13 | 12 | 11 | 10 | 9 | 8 | 7 | 6 | 5 | 4 | 3 | 2 | 1 | 0 |
|------------------|----|-------------|-------|----|-------|---|----|----|----|----|----|----|----|----|----|----|----|----|----|----|----|----|---|---|---|---|---|---|---|---|---|---|
| Id               |    |             |       |    |       |   |    |    |    |    |    |    |    | D  | C  |    |    |    |    |    |    |    |   |   |   |   |   |   | B | A |   |   |
| Reset 0x0000FFFF | 0  | 0           | 0     | 0  | 0     | 0   | 0  | 0  | 0  | 0  | 0  | 0  | 0  | 0  | 0  | 1  | 1  | 1  | 1  | 1  | 1  | 1  | 1 | 1 | 1 | 1 | 1 | 1 | 1 | 1 | 1 | 1 |
| Id               | RW | Field       | Value | Id | Value | Description   |    |    |    |    |    |    |    |    |    |    |    |    |    |    |    |    |   |   |   |   |   |   |   |   |   |   |
| A                | W  | S0POWER     | On    | 1  | On    | Keep RAM section S0 of RAM2 on or off in System ON mode           |    |    |    |    |    |    |    |    |    |    |    |    |    |    |    |    |   |   |   |   |   |   |   |   |   |   |
| B                | W  | S1POWER     | On    | 1  | On    | Keep RAM section S1 of RAM2 on or off in System ON mode           |    |    |    |    |    |    |    |    |    |    |    |    |    |    |    |    |   |   |   |   |   |   |   |   |   |   |
| C                | W  | S0RETENTION | On    | 1  | On    | Keep retention on RAM section S0 when RAM section is switched off |    |    |    |    |    |    |    |    |    |    |    |    |    |    |    |    |   |   |   |   |   |   |   |   |   |   |
| D                | W  | S1RETENTION | On    | 1  | On    | Keep retention on RAM section S1 when RAM section is switched off |    |    |    |    |    |    |    |    |    |    |    |    |    |    |    |    |   |   |   |   |   |   |   |   |   |   |

### 18.9.20 RAM[2].POWERCLR

Address offset: 0x928

RAM2 power control clear register

When read, this register will return the value of the POWER register.

| Bit number       | 31 | 30          | 29    | 28 | 27    | 26  | 25 | 24 | 23 | 22 | 21 | 20 | 19 | 18 | 17 | 16 | 15 | 14 | 13 | 12 | 11 | 10 | 9 | 8 | 7 | 6 | 5 | 4 | 3 | 2 | 1 | 0 |
|------------------|----|-------------|-------|----|-------|---|----|----|----|----|----|----|----|----|----|----|----|----|----|----|----|----|---|---|---|---|---|---|---|---|---|---|
| Id               |    |             |       |    |       |   |    |    |    |    |    |    |    | D  | C  |    |    |    |    |    |    |    |   |   |   |   |   |   | B | A |   |   |
| Reset 0x0000FFFF | 0  | 0           | 0     | 0  | 0     | 0   | 0  | 0  | 0  | 0  | 0  | 0  | 0  | 0  | 0  | 1  | 1  | 1  | 1  | 1  | 1  | 1  | 1 | 1 | 1 | 1 | 1 | 1 | 1 | 1 | 1 |   |
| Id               | RW | Field       | Value | Id | Value | Description   |    |    |    |    |    |    |    |    |    |    |    |    |    |    |    |    |   |   |   |   |   |   |   |   |   |   |
| A                | W  | S0POWER     | Off   | 1  | Off   | Keep RAM section S0 of RAM2 on or off in System ON mode           |    |    |    |    |    |    |    |    |    |    |    |    |    |    |    |    |   |   |   |   |   |   |   |   |   |   |
| B                | W  | S1POWER     | Off   | 1  | Off   | Keep RAM section S1 of RAM2 on or off in System ON mode           |    |    |    |    |    |    |    |    |    |    |    |    |    |    |    |    |   |   |   |   |   |   |   |   |   |   |
| C                | W  | S0RETENTION | Off   | 1  | Off   | Keep retention on RAM section S0 when RAM section is switched off |    |    |    |    |    |    |    |    |    |    |    |    |    |    |    |    |   |   |   |   |   |   |   |   |   |   |
| D                | W  | S1RETENTION | Off   | 1  | Off   | Keep retention on RAM section S1 when RAM section is switched off |    |    |    |    |    |    |    |    |    |    |    |    |    |    |    |    |   |   |   |   |   |   |   |   |   |   |

### 18.9.21 RAM[3].POWER

Address offset: 0x930

RAM3 power control register

| Bit number       | 31 | 30      | 29    | 28 | 27    | 26   | 25 | 24 | 23 | 22 | 21 | 20 | 19 | 18 | 17 | 16 | 15 | 14 | 13 | 12 | 11 | 10 | 9 | 8 | 7 | 6 | 5 | 4 | 3 | 2 | 1 | 0 |
|------------------|----|---------|-------|----|-------|--|----|----|----|----|----|----|----|----|----|----|----|----|----|----|----|----|---|---|---|---|---|---|---|---|---|---|
| Id               |    |         |       |    |       |  |    |    |    |    |    |    |    | D  | C  |    |    |    |    |    |    |    |   |   |   |   |   |   | B | A |   |   |
| Reset 0x0000FFFF | 0  | 0       | 0     | 0  | 0     | 0  | 0  | 0  | 0  | 0  | 0  | 0  | 0  | 0  | 0  | 1  | 1  | 1  | 1  | 1  | 1  | 1  | 1 | 1 | 1 | 1 | 1 | 1 | 1 | 1 | 1 |   |
| Id               | RW | Field   | Value | Id | Value | Description  |    |    |    |    |    |    |    |    |    |    |    |    |    |    |    |    |   |   |   |   |   |   |   |   |   |   |
| A                | RW | S0POWER | Off   | 0  | Off   | Keep RAM section S0 ON or OFF in System ON mode.   |    |    |    |    |    |    |    |    |    |    |    |    |    |    |    |    |   |   |   |   |   |   |   |   |   |   |
|                  |    |         | On    | 1  | On    | RAM sections are always retained when ON, but can also be retained when OFF dependent on the settings in S0RETENTION. All RAM sections will be OFF in System OFF mode. |    |    |    |    |    |    |    |    |    |    |    |    |    |    |    |    |   |   |   |   |   |   |   |   |   |   |
| B                | RW | S1POWER |       |    |       | Keep RAM section S1 ON or OFF in System ON mode.   |    |    |    |    |    |    |    |    |    |    |    |    |    |    |    |    |   |   |   |   |   |   |   |   |   |   |

| Bit number       | 31 | 30          | 29       | 28    | 27   | 26 | 25 | 24 | 23 | 22 | 21 | 20 | 19 | 18 | 17 | 16 | 15 | 14 | 13 | 12 | 11 | 10 | 9 | 8 | 7 | 6 | 5 | 4 | 3 | 2 | 1 | 0 |
|------------------|----|-------------|----------|-------|--|----|----|----|----|----|----|----|----|----|----|----|----|----|----|----|----|----|---|---|---|---|---|---|---|---|---|---|
| Id               |    |             |          |       |  |    |    |    |    |    |    |    |    |    |    |    | D  | C  |    |    |    |    |   |   |   |   |   |   | B | A |   |   |
| Reset 0x0000FFFF | 0  | 0           | 0        | 0     | 0  | 0  | 0  | 0  | 0  | 0  | 0  | 0  | 0  | 0  | 0  | 1  | 1  | 1  | 1  | 1  | 1  | 1  | 1 | 1 | 1 | 1 | 1 | 1 | 1 | 1 | 1 | 1 |
| Id               | RW | Field       | Value Id | Value | Description  |    |    |    |    |    |    |    |    |    |    |    |    |    |    |    |    |    |   |   |   |   |   |   |   |   |   |   |
|                  |    |             | Off      | 0     | RAM sections are always retained when ON, but can also be retained when OFF dependent on the settings in S1RETENTION. All RAM sections will be OFF in System OFF mode. |    |    |    |    |    |    |    |    |    |    |    |    |    |    |    |    |    |   |   |   |   |   |   |   |   |   |   |
|                  |    |             | On       | 1     | On   |    |    |    |    |    |    |    |    |    |    |    |    |    |    |    |    |    |   |   |   |   |   |   |   |   |   |   |
| C                | RW | SORETENTION | Off      | 0     | Keep retention on RAM section S0 when RAM section is in OFF  |    |    |    |    |    |    |    |    |    |    |    |    |    |    |    |    |    |   |   |   |   |   |   |   |   |   |   |
|                  |    |             | On       | 1     | On   |    |    |    |    |    |    |    |    |    |    |    |    |    |    |    |    |    |   |   |   |   |   |   |   |   |   |   |
| D                | RW | S1RETENTION | Off      | 0     | Keep retention on RAM section S1 when RAM section is in OFF  |    |    |    |    |    |    |    |    |    |    |    |    |    |    |    |    |    |   |   |   |   |   |   |   |   |   |   |
|                  |    |             | On       | 1     | On   |    |    |    |    |    |    |    |    |    |    |    |    |    |    |    |    |    |   |   |   |   |   |   |   |   |   |   |

### 18.9.22 RAM[3].POWERSET

Address offset: 0x934

RAM3 power control set register

When read, this register will return the value of the POWER register.

| Bit number       | 31 | 30          | 29       | 28    | 27  | 26 | 25 | 24 | 23 | 22 | 21 | 20 | 19 | 18 | 17 | 16 | 15 | 14 | 13 | 12 | 11 | 10 | 9 | 8 | 7 | 6 | 5 | 4 | 3 | 2 | 1 | 0 |
|------------------|----|-------------|----------|-------|---|----|----|----|----|----|----|----|----|----|----|----|----|----|----|----|----|----|---|---|---|---|---|---|---|---|---|---|
| Id               |    |             |          |       |   |    |    |    |    |    |    |    |    |    |    |    | D  | C  |    |    |    |    |   |   |   |   |   |   | B | A |   |   |
| Reset 0x0000FFFF | 0  | 0           | 0        | 0     | 0   | 0  | 0  | 0  | 0  | 0  | 0  | 0  | 0  | 0  | 0  | 1  | 1  | 1  | 1  | 1  | 1  | 1  | 1 | 1 | 1 | 1 | 1 | 1 | 1 | 1 | 1 |   |
| Id               | RW | Field       | Value Id | Value | Description   |    |    |    |    |    |    |    |    |    |    |    |    |    |    |    |    |    |   |   |   |   |   |   |   |   |   |   |
| A                | W  | SOPOWER     | On       | 1     | Keep RAM section S0 of RAM3 on or off in System ON mode           |    |    |    |    |    |    |    |    |    |    |    |    |    |    |    |    |    |   |   |   |   |   |   |   |   |   |   |
|                  |    |             | Off      | 0     | On  |    |    |    |    |    |    |    |    |    |    |    |    |    |    |    |    |    |   |   |   |   |   |   |   |   |   |   |
| B                | W  | S1POWER     | On       | 1     | Keep RAM section S1 of RAM3 on or off in System ON mode           |    |    |    |    |    |    |    |    |    |    |    |    |    |    |    |    |    |   |   |   |   |   |   |   |   |   |   |
|                  |    |             | Off      | 0     | On  |    |    |    |    |    |    |    |    |    |    |    |    |    |    |    |    |    |   |   |   |   |   |   |   |   |   |   |
| C                | W  | SORETENTION | On       | 1     | Keep retention on RAM section S0 when RAM section is switched off |    |    |    |    |    |    |    |    |    |    |    |    |    |    |    |    |    |   |   |   |   |   |   |   |   |   |   |
|                  |    |             | Off      | 0     | On  |    |    |    |    |    |    |    |    |    |    |    |    |    |    |    |    |    |   |   |   |   |   |   |   |   |   |   |
| D                | W  | S1RETENTION | On       | 1     | Keep retention on RAM section S1 when RAM section is switched off |    |    |    |    |    |    |    |    |    |    |    |    |    |    |    |    |    |   |   |   |   |   |   |   |   |   |   |
|                  |    |             | Off      | 0     | On  |    |    |    |    |    |    |    |    |    |    |    |    |    |    |    |    |    |   |   |   |   |   |   |   |   |   |   |

### 18.9.23 RAM[3].POWERCLR

Address offset: 0x938

RAM3 power control clear register

When read, this register will return the value of the POWER register.

| Bit number       | 31 | 30          | 29       | 28    | 27  | 26 | 25 | 24 | 23 | 22 | 21 | 20 | 19 | 18 | 17 | 16 | 15 | 14 | 13 | 12 | 11 | 10 | 9 | 8 | 7 | 6 | 5 | 4 | 3 | 2 | 1 | 0 |
|------------------|----|-------------|----------|-------|---|----|----|----|----|----|----|----|----|----|----|----|----|----|----|----|----|----|---|---|---|---|---|---|---|---|---|---|
| Id               |    |             |          |       |   |    |    |    |    |    |    |    |    |    |    |    | D  | C  |    |    |    |    |   |   |   |   |   |   | B | A |   |   |
| Reset 0x0000FFFF | 0  | 0           | 0        | 0     | 0   | 0  | 0  | 0  | 0  | 0  | 0  | 0  | 0  | 0  | 0  | 1  | 1  | 1  | 1  | 1  | 1  | 1  | 1 | 1 | 1 | 1 | 1 | 1 | 1 | 1 | 1 |   |
| Id               | RW | Field       | Value Id | Value | Description   |    |    |    |    |    |    |    |    |    |    |    |    |    |    |    |    |    |   |   |   |   |   |   |   |   |   |   |
| A                | W  | SOPOWER     | Off      | 1     | Keep RAM section S0 of RAM3 on or off in System ON mode           |    |    |    |    |    |    |    |    |    |    |    |    |    |    |    |    |    |   |   |   |   |   |   |   |   |   |   |
|                  |    |             | On       | 0     | Off   |    |    |    |    |    |    |    |    |    |    |    |    |    |    |    |    |    |   |   |   |   |   |   |   |   |   |   |
| B                | W  | S1POWER     | Off      | 1     | Keep RAM section S1 of RAM3 on or off in System ON mode           |    |    |    |    |    |    |    |    |    |    |    |    |    |    |    |    |    |   |   |   |   |   |   |   |   |   |   |
|                  |    |             | On       | 0     | Off   |    |    |    |    |    |    |    |    |    |    |    |    |    |    |    |    |    |   |   |   |   |   |   |   |   |   |   |
| C                | W  | SORETENTION | Off      | 1     | Keep retention on RAM section S0 when RAM section is switched off |    |    |    |    |    |    |    |    |    |    |    |    |    |    |    |    |    |   |   |   |   |   |   |   |   |   |   |
|                  |    |             | On       | 0     | Off   |    |    |    |    |    |    |    |    |    |    |    |    |    |    |    |    |    |   |   |   |   |   |   |   |   |   |   |
| D                | W  | S1RETENTION | Off      | 1     | Keep retention on RAM section S1 when RAM section is switched off |    |    |    |    |    |    |    |    |    |    |    |    |    |    |    |    |    |   |   |   |   |   |   |   |   |   |   |
|                  |    |             | On       | 0     | Off   |    |    |    |    |    |    |    |    |    |    |    |    |    |    |    |    |    |   |   |   |   |   |   |   |   |   |   |

### 18.9.24 RAM[4].POWER

Address offset: 0x940

RAM4 power control register

| Bit number       | 31 30 29 28 27 26 25 24 23 22 21 20 19 18 17 16 15 14 13 12 11 10 9 8 7 6 5 4 3 2 1 0 |             |          |       |  |  |  |  |  |  |  |  |  |  |  |  |  |  |  |  |  |  |  |  |  |  |  |  |   |   |  |  |   |   |
|------------------|---|-------------|----------|-------|--|--|--|--|--|--|--|--|--|--|--|--|--|--|--|--|--|--|--|--|--|--|--|--|---|---|--|--|---|---|
| Id               |   |             |          |       |  |  |  |  |  |  |  |  |  |  |  |  |  |  |  |  |  |  |  |  |  |  |  |  | D | C |  |  | B | A |
| Reset 0x0000FFFF | 0 0 0 0 0 0 0 0 0 0 0 0 0 0 0 0 0 1             |             |          |       |  |  |  |  |  |  |  |  |  |  |  |  |  |  |  |  |  |  |  |  |  |  |  |  |   |   |  |  |   |   |
| Id               | RW  | Field       | Value Id | Value | Description  |  |  |  |  |  |  |  |  |  |  |  |  |  |  |  |  |  |  |  |  |  |  |  |   |   |  |  |   |   |
| A                | RW  | S0POWER     |          |       | Keep RAM section S0 ON or OFF in System ON mode.<br><br>RAM sections are always retained when ON, but can also be retained when OFF dependent on the settings in S0RETENTION. All RAM sections will be OFF in System OFF mode. |  |  |  |  |  |  |  |  |  |  |  |  |  |  |  |  |  |  |  |  |  |  |  |   |   |  |  |   |   |
|                  |   |             | Off      | 0     | Off  |  |  |  |  |  |  |  |  |  |  |  |  |  |  |  |  |  |  |  |  |  |  |  |   |   |  |  |   |   |
|                  |   |             | On       | 1     | On   |  |  |  |  |  |  |  |  |  |  |  |  |  |  |  |  |  |  |  |  |  |  |  |   |   |  |  |   |   |
| B                | RW  | S1POWER     |          |       | Keep RAM section S1 ON or OFF in System ON mode.<br><br>RAM sections are always retained when ON, but can also be retained when OFF dependent on the settings in S1RETENTION. All RAM sections will be OFF in System OFF mode. |  |  |  |  |  |  |  |  |  |  |  |  |  |  |  |  |  |  |  |  |  |  |  |   |   |  |  |   |   |
|                  |   |             | Off      | 0     | Off  |  |  |  |  |  |  |  |  |  |  |  |  |  |  |  |  |  |  |  |  |  |  |  |   |   |  |  |   |   |
|                  |   |             | On       | 1     | On   |  |  |  |  |  |  |  |  |  |  |  |  |  |  |  |  |  |  |  |  |  |  |  |   |   |  |  |   |   |
| C                | RW  | S0RETENTION |          |       | Keep retention on RAM section S0 when RAM section is in OFF  |  |  |  |  |  |  |  |  |  |  |  |  |  |  |  |  |  |  |  |  |  |  |  |   |   |  |  |   |   |
|                  |   |             | Off      | 0     | Off  |  |  |  |  |  |  |  |  |  |  |  |  |  |  |  |  |  |  |  |  |  |  |  |   |   |  |  |   |   |
|                  |   |             | On       | 1     | On   |  |  |  |  |  |  |  |  |  |  |  |  |  |  |  |  |  |  |  |  |  |  |  |   |   |  |  |   |   |
| D                | RW  | S1RETENTION |          |       | Keep retention on RAM section S1 when RAM section is in OFF  |  |  |  |  |  |  |  |  |  |  |  |  |  |  |  |  |  |  |  |  |  |  |  |   |   |  |  |   |   |
|                  |   |             | Off      | 0     | Off  |  |  |  |  |  |  |  |  |  |  |  |  |  |  |  |  |  |  |  |  |  |  |  |   |   |  |  |   |   |
|                  |   |             | On       | 1     | On   |  |  |  |  |  |  |  |  |  |  |  |  |  |  |  |  |  |  |  |  |  |  |  |   |   |  |  |   |   |

### 18.9.25 RAM[4].POWERSET

Address offset: 0x944

RAM4 power control set register

When read, this register will return the value of the POWER register.

| Bit number       | 31 30 29 28 27 26 25 24 23 22 21 20 19 18 17 16 15 14 13 12 11 10 9 8 7 6 5 4 3 2 1 0 |             |          |       |   |  |  |  |  |  |  |  |  |  |  |  |  |  |  |  |  |  |  |  |  |  |  |  |   |   |  |  |   |   |
|------------------|---|-------------|----------|-------|---|--|--|--|--|--|--|--|--|--|--|--|--|--|--|--|--|--|--|--|--|--|--|--|---|---|--|--|---|---|
| Id               |   |             |          |       |   |  |  |  |  |  |  |  |  |  |  |  |  |  |  |  |  |  |  |  |  |  |  |  | D | C |  |  | B | A |
| Reset 0x0000FFFF | 0 0 0 0 0 0 0 0 0 0 0 0 0 0 0 0 0 1             |             |          |       |   |  |  |  |  |  |  |  |  |  |  |  |  |  |  |  |  |  |  |  |  |  |  |  |   |   |  |  |   |   |
| Id               | RW  | Field       | Value Id | Value | Description   |  |  |  |  |  |  |  |  |  |  |  |  |  |  |  |  |  |  |  |  |  |  |  |   |   |  |  |   |   |
| A                | W   | S0POWER     |          |       | Keep RAM section S0 of RAM4 on or off in System ON mode           |  |  |  |  |  |  |  |  |  |  |  |  |  |  |  |  |  |  |  |  |  |  |  |   |   |  |  |   |   |
|                  |   |             | On       | 1     | On  |  |  |  |  |  |  |  |  |  |  |  |  |  |  |  |  |  |  |  |  |  |  |  |   |   |  |  |   |   |
| B                | W   | S1POWER     |          |       | Keep RAM section S1 of RAM4 on or off in System ON mode           |  |  |  |  |  |  |  |  |  |  |  |  |  |  |  |  |  |  |  |  |  |  |  |   |   |  |  |   |   |
|                  |   |             | On       | 1     | On  |  |  |  |  |  |  |  |  |  |  |  |  |  |  |  |  |  |  |  |  |  |  |  |   |   |  |  |   |   |
| C                | W   | S0RETENTION |          |       | Keep retention on RAM section S0 when RAM section is switched off |  |  |  |  |  |  |  |  |  |  |  |  |  |  |  |  |  |  |  |  |  |  |  |   |   |  |  |   |   |
|                  |   |             | On       | 1     | On  |  |  |  |  |  |  |  |  |  |  |  |  |  |  |  |  |  |  |  |  |  |  |  |   |   |  |  |   |   |
| D                | W   | S1RETENTION |          |       | Keep retention on RAM section S1 when RAM section is switched off |  |  |  |  |  |  |  |  |  |  |  |  |  |  |  |  |  |  |  |  |  |  |  |   |   |  |  |   |   |
|                  |   |             | On       | 1     | On  |  |  |  |  |  |  |  |  |  |  |  |  |  |  |  |  |  |  |  |  |  |  |  |   |   |  |  |   |   |

### 18.9.26 RAM[4].POWERCLR

Address offset: 0x948

RAM4 power control clear register

When read, this register will return the value of the POWER register.

| Bit number       | 31 30 29 28 27 26 25 24 23 22 21 20 19 18 17 16 15 14 13 12 11 10 9 8 7 6 5 4 3 2 1 0 |             |          |       |  |  |  |  |  |  |  |  |  |  |  |  |  |  |  |  |  |  |  |  |  |  |  |  |     |  |     |  |
|------------------|---|-------------|----------|-------|--|--|--|--|--|--|--|--|--|--|--|--|--|--|--|--|--|--|--|--|--|--|--|--|-----|--|-----|--|
| Id               |   |             |          |       |  |  |  |  |  |  |  |  |  |  |  |  |  |  |  |  |  |  |  |  |  |  |  |  | D C |  | B A |  |
| Reset 0x0000FFFF | 0 0 0 0 0 0 0 0 0 0 0 0 0 0 0 0 0 0 1 1 1 1 1 1 1 1 1 1 1 1 1 1 1 1                   |             |          |       |  |  |  |  |  |  |  |  |  |  |  |  |  |  |  |  |  |  |  |  |  |  |  |  |     |  |     |  |
| Id               | RW  | Field       | Value Id | Value | Description  |  |  |  |  |  |  |  |  |  |  |  |  |  |  |  |  |  |  |  |  |  |  |  |     |  |     |  |
| A                | W   | S0POWER     | Off      | 1     | Keep RAM section S0 of RAM4 on or off in System ON mode<br>Off           |  |  |  |  |  |  |  |  |  |  |  |  |  |  |  |  |  |  |  |  |  |  |  |     |  |     |  |
| B                | W   | S1POWER     | Off      | 1     | Keep RAM section S1 of RAM4 on or off in System ON mode<br>Off           |  |  |  |  |  |  |  |  |  |  |  |  |  |  |  |  |  |  |  |  |  |  |  |     |  |     |  |
| C                | W   | S0RETENTION | Off      | 1     | Keep retention on RAM section S0 when RAM section is switched off<br>Off |  |  |  |  |  |  |  |  |  |  |  |  |  |  |  |  |  |  |  |  |  |  |  |     |  |     |  |
| D                | W   | S1RETENTION | Off      | 1     | Keep retention on RAM section S1 when RAM section is switched off<br>Off |  |  |  |  |  |  |  |  |  |  |  |  |  |  |  |  |  |  |  |  |  |  |  |     |  |     |  |

### 18.9.27 RAM[5].POWER

Address offset: 0x950

RAM5 power control register

| Bit number       | 31 30 29 28 27 26 25 24 23 22 21 20 19 18 17 16 15 14 13 12 11 10 9 8 7 6 5 4 3 2 1 0 |             |          |       |   |  |  |  |  |  |  |  |  |  |  |  |  |  |  |  |  |  |  |  |  |  |  |  |     |  |     |  |
|------------------|---|-------------|----------|-------|---|--|--|--|--|--|--|--|--|--|--|--|--|--|--|--|--|--|--|--|--|--|--|--|-----|--|-----|--|
| Id               |   |             |          |       |   |  |  |  |  |  |  |  |  |  |  |  |  |  |  |  |  |  |  |  |  |  |  |  | D C |  | B A |  |
| Reset 0x0000FFFF | 0 0 0 0 0 0 0 0 0 0 0 0 0 0 0 0 0 0 1 1 1 1 1 1 1 1 1 1 1 1 1 1 1 1                   |             |          |       |   |  |  |  |  |  |  |  |  |  |  |  |  |  |  |  |  |  |  |  |  |  |  |  |     |  |     |  |
| Id               | RW  | Field       | Value Id | Value | Description   |  |  |  |  |  |  |  |  |  |  |  |  |  |  |  |  |  |  |  |  |  |  |  |     |  |     |  |
| A                | RW  | S0POWER     | Off      | 0     | Keep RAM section S0 ON or OFF in System ON mode.<br><br>RAM sections are always retained when ON, but can also be retained when OFF dependent on the settings in S0RETENTION. All RAM sections will be OFF in System OFF mode.<br>Off |  |  |  |  |  |  |  |  |  |  |  |  |  |  |  |  |  |  |  |  |  |  |  |     |  |     |  |
|                  |   |             | On       | 1     | On  |  |  |  |  |  |  |  |  |  |  |  |  |  |  |  |  |  |  |  |  |  |  |  |     |  |     |  |
| B                | RW  | S1POWER     | Off      | 0     | Keep RAM section S1 ON or OFF in System ON mode.<br><br>RAM sections are always retained when ON, but can also be retained when OFF dependent on the settings in S1RETENTION. All RAM sections will be OFF in System OFF mode.<br>Off |  |  |  |  |  |  |  |  |  |  |  |  |  |  |  |  |  |  |  |  |  |  |  |     |  |     |  |
|                  |   |             | On       | 1     | On  |  |  |  |  |  |  |  |  |  |  |  |  |  |  |  |  |  |  |  |  |  |  |  |     |  |     |  |
| C                | RW  | S0RETENTION | Off      | 0     | Keep retention on RAM section S0 when RAM section is in OFF<br>Off  |  |  |  |  |  |  |  |  |  |  |  |  |  |  |  |  |  |  |  |  |  |  |  |     |  |     |  |
|                  |   |             | On       | 1     | On  |  |  |  |  |  |  |  |  |  |  |  |  |  |  |  |  |  |  |  |  |  |  |  |     |  |     |  |
| D                | RW  | S1RETENTION | Off      | 0     | Keep retention on RAM section S1 when RAM section is in OFF<br>Off  |  |  |  |  |  |  |  |  |  |  |  |  |  |  |  |  |  |  |  |  |  |  |  |     |  |     |  |
|                  |   |             | On       | 1     | On  |  |  |  |  |  |  |  |  |  |  |  |  |  |  |  |  |  |  |  |  |  |  |  |     |  |     |  |

### 18.9.28 RAM[5].POWERSET

Address offset: 0x954

RAM5 power control set register

When read, this register will return the value of the POWER register.

| Bit number       | 31 30 29 28 27 26 25 24 23 22 21 20 19 18 17 16 15 14 13 12 11 10 9 8 7 6 5 4 3 2 1 0 |         |          |       |   |  |  |  |  |  |  |  |  |  |  |  |  |  |  |  |  |  |  |  |  |  |  |  |     |  |     |  |
|------------------|---|---------|----------|-------|---|--|--|--|--|--|--|--|--|--|--|--|--|--|--|--|--|--|--|--|--|--|--|--|-----|--|-----|--|
| Id               |   |         |          |       |   |  |  |  |  |  |  |  |  |  |  |  |  |  |  |  |  |  |  |  |  |  |  |  | D C |  | B A |  |
| Reset 0x0000FFFF | 0 0 0 0 0 0 0 0 0 0 0 0 0 0 0 0 0 0 1 1 1 1 1 1 1 1 1 1 1 1 1 1 1 1                   |         |          |       |   |  |  |  |  |  |  |  |  |  |  |  |  |  |  |  |  |  |  |  |  |  |  |  |     |  |     |  |
| Id               | RW  | Field   | Value Id | Value | Description   |  |  |  |  |  |  |  |  |  |  |  |  |  |  |  |  |  |  |  |  |  |  |  |     |  |     |  |
| A                | W   | S0POWER | On       | 1     | Keep RAM section S0 of RAM5 on or off in System ON mode<br>On |  |  |  |  |  |  |  |  |  |  |  |  |  |  |  |  |  |  |  |  |  |  |  |     |  |     |  |
| B                | W   | S1POWER | On       | 1     | Keep RAM section S1 of RAM5 on or off in System ON mode<br>On |  |  |  |  |  |  |  |  |  |  |  |  |  |  |  |  |  |  |  |  |  |  |  |     |  |     |  |

| Bit number       | 31 | 30          | 29    | 28 | 27    | 26  | 25 | 24 | 23 | 22 | 21 | 20 | 19 | 18 | 17 | 16 | 15 | 14 | 13 | 12 | 11 | 10 | 9 | 8 | 7 | 6 | 5 | 4 | 3 | 2 | 1 | 0 |
|------------------|----|-------------|-------|----|-------|---|----|----|----|----|----|----|----|----|----|----|----|----|----|----|----|----|---|---|---|---|---|---|---|---|---|---|
| Id               |    |             |       |    |       |   |    |    |    |    |    |    |    |    | D  | C  |    |    |    |    |    |    |   |   |   |   |   |   | B | A |   |   |
| Reset 0x0000FFFF | 0  | 0           | 0     | 0  | 0     | 0   | 0  | 0  | 0  | 0  | 0  | 0  | 0  | 0  | 0  | 0  | 1  | 1  | 1  | 1  | 1  | 1  | 1 | 1 | 1 | 1 | 1 | 1 | 1 | 1 | 1 | 1 |
| Id               | RW | Field       | Value | Id | Value | Description   |    |    |    |    |    |    |    |    |    |    |    |    |    |    |    |    |   |   |   |   |   |   |   |   |   |   |
| C                | W  | S0RETENTION | On    |    | 1     | Keep retention on RAM section S0 when RAM section is switched off |    |    |    |    |    |    |    |    |    |    |    |    |    |    |    |    |   |   |   |   |   |   |   |   |   |   |
|                  |    |             | Off   |    | 0     | Off   |    |    |    |    |    |    |    |    |    |    |    |    |    |    |    |    |   |   |   |   |   |   |   |   |   |   |
| D                | W  | S1RETENTION | On    |    | 1     | Keep retention on RAM section S1 when RAM section is switched off |    |    |    |    |    |    |    |    |    |    |    |    |    |    |    |    |   |   |   |   |   |   |   |   |   |   |
|                  |    |             | Off   |    | 0     | Off   |    |    |    |    |    |    |    |    |    |    |    |    |    |    |    |    |   |   |   |   |   |   |   |   |   |   |

### 18.9.29 RAM[5].POWERCLR

Address offset: 0x958

RAM5 power control clear register

When read, this register will return the value of the POWER register.

| Bit number       | 31 | 30          | 29    | 28 | 27    | 26  | 25 | 24 | 23 | 22 | 21 | 20 | 19 | 18 | 17 | 16 | 15 | 14 | 13 | 12 | 11 | 10 | 9 | 8 | 7 | 6 | 5 | 4 | 3 | 2 | 1 | 0 |
|------------------|----|-------------|-------|----|-------|---|----|----|----|----|----|----|----|----|----|----|----|----|----|----|----|----|---|---|---|---|---|---|---|---|---|---|
| Id               |    |             |       |    |       |   |    |    |    |    |    |    |    |    | D  | C  |    |    |    |    |    |    |   |   |   |   |   |   | B | A |   |   |
| Reset 0x0000FFFF | 0  | 0           | 0     | 0  | 0     | 0   | 0  | 0  | 0  | 0  | 0  | 0  | 0  | 0  | 0  | 0  | 1  | 1  | 1  | 1  | 1  | 1  | 1 | 1 | 1 | 1 | 1 | 1 | 1 | 1 | 1 |   |
| Id               | RW | Field       | Value | Id | Value | Description   |    |    |    |    |    |    |    |    |    |    |    |    |    |    |    |    |   |   |   |   |   |   |   |   |   |   |
| A                | W  | S0POWER     | Off   |    | 1     | Keep RAM section S0 of RAM5 on or off in System ON mode           |    |    |    |    |    |    |    |    |    |    |    |    |    |    |    |    |   |   |   |   |   |   |   |   |   |   |
|                  |    |             | On    |    | 0     | Off   |    |    |    |    |    |    |    |    |    |    |    |    |    |    |    |    |   |   |   |   |   |   |   |   |   |   |
| B                | W  | S1POWER     | Off   |    | 1     | Keep RAM section S1 of RAM5 on or off in System ON mode           |    |    |    |    |    |    |    |    |    |    |    |    |    |    |    |    |   |   |   |   |   |   |   |   |   |   |
|                  |    |             | On    |    | 0     | Off   |    |    |    |    |    |    |    |    |    |    |    |    |    |    |    |    |   |   |   |   |   |   |   |   |   |   |
| C                | W  | S0RETENTION | Off   |    | 1     | Keep retention on RAM section S0 when RAM section is switched off |    |    |    |    |    |    |    |    |    |    |    |    |    |    |    |    |   |   |   |   |   |   |   |   |   |   |
|                  |    |             | On    |    | 0     | Off   |    |    |    |    |    |    |    |    |    |    |    |    |    |    |    |    |   |   |   |   |   |   |   |   |   |   |
| D                | W  | S1RETENTION | Off   |    | 1     | Keep retention on RAM section S1 when RAM section is switched off |    |    |    |    |    |    |    |    |    |    |    |    |    |    |    |    |   |   |   |   |   |   |   |   |   |   |
|                  |    |             | On    |    | 0     | Off   |    |    |    |    |    |    |    |    |    |    |    |    |    |    |    |    |   |   |   |   |   |   |   |   |   |   |

### 18.9.30 RAM[6].POWER

Address offset: 0x960

RAM6 power control register

| Bit number       | 31 | 30          | 29    | 28 | 27    | 26  | 25 | 24 | 23 | 22 | 21 | 20 | 19 | 18 | 17 | 16 | 15 | 14 | 13 | 12 | 11 | 10 | 9 | 8 | 7 | 6 | 5 | 4 | 3 | 2 | 1 | 0 |
|------------------|----|-------------|-------|----|-------|---|----|----|----|----|----|----|----|----|----|----|----|----|----|----|----|----|---|---|---|---|---|---|---|---|---|---|
| Id               |    |             |       |    |       |   |    |    |    |    |    |    |    |    | D  | C  |    |    |    |    |    |    |   |   |   |   |   |   | B | A |   |   |
| Reset 0x0000FFFF | 0  | 0           | 0     | 0  | 0     | 0   | 0  | 0  | 0  | 0  | 0  | 0  | 0  | 0  | 0  | 0  | 1  | 1  | 1  | 1  | 1  | 1  | 1 | 1 | 1 | 1 | 1 | 1 | 1 | 1 | 1 |   |
| Id               | RW | Field       | Value | Id | Value | Description   |    |    |    |    |    |    |    |    |    |    |    |    |    |    |    |    |   |   |   |   |   |   |   |   |   |   |
| A                | RW | S0POWER     | Off   |    | 0     | Keep RAM section S0 ON or OFF in System ON mode.<br><br>RAM sections are always retained when ON, but can also be retained when OFF dependent on the settings in S0RETENTION.<br><br>All RAM sections will be OFF in System OFF mode. |    |    |    |    |    |    |    |    |    |    |    |    |    |    |    |    |   |   |   |   |   |   |   |   |   |   |
|                  |    |             | On    |    | 1     |   | On |    |    |    |    |    |    |    |    |    |    |    |    |    |    |    |   |   |   |   |   |   |   |   |   |   |
| B                | RW | S1POWER     | Off   |    | 0     | Keep RAM section S1 ON or OFF in System ON mode.<br><br>RAM sections are always retained when ON, but can also be retained when OFF dependent on the settings in S1RETENTION.<br><br>All RAM sections will be OFF in System OFF mode. |    |    |    |    |    |    |    |    |    |    |    |    |    |    |    |    |   |   |   |   |   |   |   |   |   |   |
|                  |    |             | On    |    | 1     |   | On |    |    |    |    |    |    |    |    |    |    |    |    |    |    |    |   |   |   |   |   |   |   |   |   |   |
| C                | RW | S0RETENTION | Off   |    | 0     | Keep retention on RAM section S0 when RAM section is in OFF   |    |    |    |    |    |    |    |    |    |    |    |    |    |    |    |    |   |   |   |   |   |   |   |   |   |   |
|                  |    |             | On    |    | 1     |   | On |    |    |    |    |    |    |    |    |    |    |    |    |    |    |    |   |   |   |   |   |   |   |   |   |   |
| D                | RW | S1RETENTION | Off   |    | 0     | Keep retention on RAM section S1 when RAM section is in OFF   |    |    |    |    |    |    |    |    |    |    |    |    |    |    |    |    |   |   |   |   |   |   |   |   |   |   |
|                  |    |             | On    |    | 1     |   | On |    |    |    |    |    |    |    |    |    |    |    |    |    |    |    |   |   |   |   |   |   |   |   |   |   |



| Bit number       | 31 | 30    | 29       | 28    | 27          | 26 | 25 | 24 | 23 | 22 | 21 | 20 | 19 | 18 | 17 | 16 | 15 | 14 | 13 | 12 | 11 | 10 | 9 | 8 | 7 | 6 | 5 | 4 | 3 | 2 | 1 | 0 |
|------------------|----|-------|----------|-------|-------------|----|----|----|----|----|----|----|----|----|----|----|----|----|----|----|----|----|---|---|---|---|---|---|---|---|---|---|
| Id               |    |       |          |       |             |    |    |    |    |    |    |    |    |    |    |    | D  | C  |    |    |    |    |   |   |   |   |   |   | B | A |   |   |
| Reset 0x0000FFFF | 0  | 0     | 0        | 0     | 0           | 0  | 0  | 0  | 0  | 0  | 0  | 0  | 0  | 0  | 0  | 0  | 1  | 1  | 1  | 1  | 1  | 1  | 1 | 1 | 1 | 1 | 1 | 1 | 1 | 1 | 1 | 1 |
| Id               | RW | Field | Value Id | Value | Description |    |    |    |    |    |    |    |    |    |    |    |    |    |    |    |    |    |   |   |   |   |   |   |   |   |   |   |
|                  |    |       | On       | 1     | On          |    |    |    |    |    |    |    |    |    |    |    |    |    |    |    |    |    |   |   |   |   |   |   |   |   |   |   |

### 18.9.31 RAM[6].POWERSET

Address offset: 0x964

RAM6 power control set register

When read, this register will return the value of the POWER register.

| Bit number       | 31 | 30          | 29       | 28    | 27  | 26 | 25 | 24 | 23 | 22 | 21 | 20 | 19 | 18 | 17 | 16 | 15 | 14 | 13 | 12 | 11 | 10 | 9 | 8 | 7 | 6 | 5 | 4 | 3 | 2 | 1 | 0 |
|------------------|----|-------------|----------|-------|---|----|----|----|----|----|----|----|----|----|----|----|----|----|----|----|----|----|---|---|---|---|---|---|---|---|---|---|
| Id               |    |             |          |       |   |    |    |    |    |    |    |    |    |    |    |    | D  | C  |    |    |    |    |   |   |   |   |   |   | B | A |   |   |
| Reset 0x0000FFFF | 0  | 0           | 0        | 0     | 0   | 0  | 0  | 0  | 0  | 0  | 0  | 0  | 0  | 0  | 0  | 0  | 1  | 1  | 1  | 1  | 1  | 1  | 1 | 1 | 1 | 1 | 1 | 1 | 1 | 1 | 1 |   |
| Id               | RW | Field       | Value Id | Value | Description   |    |    |    |    |    |    |    |    |    |    |    |    |    |    |    |    |    |   |   |   |   |   |   |   |   |   |   |
| A                | W  | S0POWER     | On       | 1     | Keep RAM section S0 of RAM6 on or off in System ON mode           |    |    |    |    |    |    |    |    |    |    |    |    |    |    |    |    |    |   |   |   |   |   |   |   |   |   |   |
| B                | W  | S1POWER     | On       | 1     | Keep RAM section S1 of RAM6 on or off in System ON mode           |    |    |    |    |    |    |    |    |    |    |    |    |    |    |    |    |    |   |   |   |   |   |   |   |   |   |   |
| C                | W  | S0RETENTION | On       | 1     | Keep retention on RAM section S0 when RAM section is switched off |    |    |    |    |    |    |    |    |    |    |    |    |    |    |    |    |    |   |   |   |   |   |   |   |   |   |   |
| D                | W  | S1RETENTION | On       | 1     | Keep retention on RAM section S1 when RAM section is switched off |    |    |    |    |    |    |    |    |    |    |    |    |    |    |    |    |    |   |   |   |   |   |   |   |   |   |   |

### 18.9.32 RAM[6].POWERCLR

Address offset: 0x968

RAM6 power control clear register

When read, this register will return the value of the POWER register.

| Bit number       | 31 | 30          | 29       | 28    | 27  | 26 | 25 | 24 | 23 | 22 | 21 | 20 | 19 | 18 | 17 | 16 | 15 | 14 | 13 | 12 | 11 | 10 | 9 | 8 | 7 | 6 | 5 | 4 | 3 | 2 | 1 | 0 |
|------------------|----|-------------|----------|-------|---|----|----|----|----|----|----|----|----|----|----|----|----|----|----|----|----|----|---|---|---|---|---|---|---|---|---|---|
| Id               |    |             |          |       |   |    |    |    |    |    |    |    |    |    |    |    | D  | C  |    |    |    |    |   |   |   |   |   |   | B | A |   |   |
| Reset 0x0000FFFF | 0  | 0           | 0        | 0     | 0   | 0  | 0  | 0  | 0  | 0  | 0  | 0  | 0  | 0  | 0  | 0  | 1  | 1  | 1  | 1  | 1  | 1  | 1 | 1 | 1 | 1 | 1 | 1 | 1 | 1 | 1 |   |
| Id               | RW | Field       | Value Id | Value | Description   |    |    |    |    |    |    |    |    |    |    |    |    |    |    |    |    |    |   |   |   |   |   |   |   |   |   |   |
| A                | W  | S0POWER     | Off      | 1     | Keep RAM section S0 of RAM6 on or off in System ON mode           |    |    |    |    |    |    |    |    |    |    |    |    |    |    |    |    |    |   |   |   |   |   |   |   |   |   |   |
| B                | W  | S1POWER     | Off      | 1     | Keep RAM section S1 of RAM6 on or off in System ON mode           |    |    |    |    |    |    |    |    |    |    |    |    |    |    |    |    |    |   |   |   |   |   |   |   |   |   |   |
| C                | W  | S0RETENTION | Off      | 1     | Keep retention on RAM section S0 when RAM section is switched off |    |    |    |    |    |    |    |    |    |    |    |    |    |    |    |    |    |   |   |   |   |   |   |   |   |   |   |
| D                | W  | S1RETENTION | Off      | 1     | Keep retention on RAM section S1 when RAM section is switched off |    |    |    |    |    |    |    |    |    |    |    |    |    |    |    |    |    |   |   |   |   |   |   |   |   |   |   |

### 18.9.33 RAM[7].POWER

Address offset: 0x970

RAM7 power control register

| Bit number       | 31 | 30      | 29       | 28    | 27   | 26 | 25 | 24 | 23 | 22 | 21 | 20 | 19 | 18 | 17 | 16 | 15 | 14 | 13 | 12 | 11 | 10 | 9 | 8 | 7 | 6 | 5 | 4 | 3 | 2 | 1 | 0 |
|------------------|----|---------|----------|-------|--|----|----|----|----|----|----|----|----|----|----|----|----|----|----|----|----|----|---|---|---|---|---|---|---|---|---|---|
| Id               |    |         |          |       |  |    |    |    |    |    |    |    |    |    |    |    | D  | C  |    |    |    |    |   |   |   |   |   |   | B | A |   |   |
| Reset 0x0000FFFF | 0  | 0       | 0        | 0     | 0  | 0  | 0  | 0  | 0  | 0  | 0  | 0  | 0  | 0  | 0  | 0  | 1  | 1  | 1  | 1  | 1  | 1  | 1 | 1 | 1 | 1 | 1 | 1 | 1 | 1 | 1 |   |
| Id               | RW | Field   | Value Id | Value | Description                                      |    |    |    |    |    |    |    |    |    |    |    |    |    |    |    |    |    |   |   |   |   |   |   |   |   |   |   |
| A                | RW | S0POWER |          |       | Keep RAM section S0 ON or OFF in System ON mode. |    |    |    |    |    |    |    |    |    |    |    |    |    |    |    |    |    |   |   |   |   |   |   |   |   |   |   |

| Bit number       | 31 30 29 28 27 26 25 24 23 22 21 20 19 18 17 16 15 14 13 12 11 10 9 8 7 6 5 4 3 2 1 0 |             |          |       |   |  |  |  |  |  |  |  |  |  |  |  |  |  |  |  |  |  |  |  |  |  |  |  |     |  |   |   |
|------------------|---|-------------|----------|-------|---|--|--|--|--|--|--|--|--|--|--|--|--|--|--|--|--|--|--|--|--|--|--|--|-----|--|---|---|
| Id               |   |             |          |       |   |  |  |  |  |  |  |  |  |  |  |  |  |  |  |  |  |  |  |  |  |  |  |  | D C |  | B | A |
| Reset 0x0000FFFF | 0 0 0 0 0 0 0 0 0 0 0 0 0 0 0 0 0 0 1 1 1 1 1 1 1 1 1 1 1 1 1 1 1 1 1 1               |             |          |       |   |  |  |  |  |  |  |  |  |  |  |  |  |  |  |  |  |  |  |  |  |  |  |  |     |  |   |   |
| Id               | RW  | Field       | Value Id | Value | Description   |  |  |  |  |  |  |  |  |  |  |  |  |  |  |  |  |  |  |  |  |  |  |  |     |  |   |   |
|                  |   |             | Off      | 0     | RAM sections are always retained when ON, but can also be retained when OFF dependent on the settings in S0RETENTION. All RAM sections will be OFF in System OFF mode.  |  |  |  |  |  |  |  |  |  |  |  |  |  |  |  |  |  |  |  |  |  |  |  |     |  |   |   |
|                  |   |             | On       | 1     | Off   |  |  |  |  |  |  |  |  |  |  |  |  |  |  |  |  |  |  |  |  |  |  |  |     |  |   |   |
| B                | RW  | S1POWER     |          |       | Keep RAM section S1 ON or OFF in System ON mode. RAM sections are always retained when ON, but can also be retained when OFF dependent on the settings in S1RETENTION. All RAM sections will be OFF in System OFF mode. |  |  |  |  |  |  |  |  |  |  |  |  |  |  |  |  |  |  |  |  |  |  |  |     |  |   |   |
|                  |   |             | Off      | 0     | Off   |  |  |  |  |  |  |  |  |  |  |  |  |  |  |  |  |  |  |  |  |  |  |  |     |  |   |   |
|                  |   |             | On       | 1     | On  |  |  |  |  |  |  |  |  |  |  |  |  |  |  |  |  |  |  |  |  |  |  |  |     |  |   |   |
| C                | RW  | S0RETENTION |          |       | Keep retention on RAM section S0 when RAM section is in OFF   |  |  |  |  |  |  |  |  |  |  |  |  |  |  |  |  |  |  |  |  |  |  |  |     |  |   |   |
|                  |   |             | Off      | 0     | Off   |  |  |  |  |  |  |  |  |  |  |  |  |  |  |  |  |  |  |  |  |  |  |  |     |  |   |   |
|                  |   |             | On       | 1     | On  |  |  |  |  |  |  |  |  |  |  |  |  |  |  |  |  |  |  |  |  |  |  |  |     |  |   |   |
| D                | RW  | S1RETENTION |          |       | Keep retention on RAM section S1 when RAM section is in OFF   |  |  |  |  |  |  |  |  |  |  |  |  |  |  |  |  |  |  |  |  |  |  |  |     |  |   |   |
|                  |   |             | Off      | 0     | Off   |  |  |  |  |  |  |  |  |  |  |  |  |  |  |  |  |  |  |  |  |  |  |  |     |  |   |   |
|                  |   |             | On       | 1     | On  |  |  |  |  |  |  |  |  |  |  |  |  |  |  |  |  |  |  |  |  |  |  |  |     |  |   |   |

### 18.9.34 RAM[7].POWERSET

Address offset: 0x974

RAM7 power control set register

When read, this register will return the value of the POWER register.

| Bit number       | 31 30 29 28 27 26 25 24 23 22 21 20 19 18 17 16 15 14 13 12 11 10 9 8 7 6 5 4 3 2 1 0 |             |          |       |   |  |  |  |  |  |  |  |  |  |  |  |  |  |  |  |  |  |  |  |  |  |  |  |     |  |   |   |
|------------------|---|-------------|----------|-------|---|--|--|--|--|--|--|--|--|--|--|--|--|--|--|--|--|--|--|--|--|--|--|--|-----|--|---|---|
| Id               |   |             |          |       |   |  |  |  |  |  |  |  |  |  |  |  |  |  |  |  |  |  |  |  |  |  |  |  | D C |  | B | A |
| Reset 0x0000FFFF | 0 0 0 0 0 0 0 0 0 0 0 0 0 0 0 0 0 0 1 1 1 1 1 1 1 1 1 1 1 1 1 1 1 1 1 1               |             |          |       |   |  |  |  |  |  |  |  |  |  |  |  |  |  |  |  |  |  |  |  |  |  |  |  |     |  |   |   |
| Id               | RW  | Field       | Value Id | Value | Description   |  |  |  |  |  |  |  |  |  |  |  |  |  |  |  |  |  |  |  |  |  |  |  |     |  |   |   |
| A                | W   | S0POWER     |          |       | Keep RAM section S0 of RAM7 on or off in System ON mode           |  |  |  |  |  |  |  |  |  |  |  |  |  |  |  |  |  |  |  |  |  |  |  |     |  |   |   |
|                  |   |             | On       | 1     | On  |  |  |  |  |  |  |  |  |  |  |  |  |  |  |  |  |  |  |  |  |  |  |  |     |  |   |   |
| B                | W   | S1POWER     |          |       | Keep RAM section S1 of RAM7 on or off in System ON mode           |  |  |  |  |  |  |  |  |  |  |  |  |  |  |  |  |  |  |  |  |  |  |  |     |  |   |   |
|                  |   |             | On       | 1     | On  |  |  |  |  |  |  |  |  |  |  |  |  |  |  |  |  |  |  |  |  |  |  |  |     |  |   |   |
| C                | W   | S0RETENTION |          |       | Keep retention on RAM section S0 when RAM section is switched off |  |  |  |  |  |  |  |  |  |  |  |  |  |  |  |  |  |  |  |  |  |  |  |     |  |   |   |
|                  |   |             | On       | 1     | On  |  |  |  |  |  |  |  |  |  |  |  |  |  |  |  |  |  |  |  |  |  |  |  |     |  |   |   |
| D                | W   | S1RETENTION |          |       | Keep retention on RAM section S1 when RAM section is switched off |  |  |  |  |  |  |  |  |  |  |  |  |  |  |  |  |  |  |  |  |  |  |  |     |  |   |   |
|                  |   |             | On       | 1     | On  |  |  |  |  |  |  |  |  |  |  |  |  |  |  |  |  |  |  |  |  |  |  |  |     |  |   |   |

### 18.9.35 RAM[7].POWERCLR

Address offset: 0x978

RAM7 power control clear register

When read, this register will return the value of the POWER register.

| Bit number       | 31 30 29 28 27 26 25 24 23 22 21 20 19 18 17 16 15 14 13 12 11 10 9 8 7 6 5 4 3 2 1 0 |         |          |       |   |  |  |  |  |  |  |  |  |  |  |  |  |  |  |  |  |  |  |  |  |  |  |  |     |  |   |   |
|------------------|---|---------|----------|-------|---|--|--|--|--|--|--|--|--|--|--|--|--|--|--|--|--|--|--|--|--|--|--|--|-----|--|---|---|
| Id               |   |         |          |       |   |  |  |  |  |  |  |  |  |  |  |  |  |  |  |  |  |  |  |  |  |  |  |  | D C |  | B | A |
| Reset 0x0000FFFF | 0 0 0 0 0 0 0 0 0 0 0 0 0 0 0 0 0 0 1 1 1 1 1 1 1 1 1 1 1 1 1 1 1 1 1 1               |         |          |       |   |  |  |  |  |  |  |  |  |  |  |  |  |  |  |  |  |  |  |  |  |  |  |  |     |  |   |   |
| Id               | RW  | Field   | Value Id | Value | Description   |  |  |  |  |  |  |  |  |  |  |  |  |  |  |  |  |  |  |  |  |  |  |  |     |  |   |   |
| A                | W   | S0POWER |          |       | Keep RAM section S0 of RAM7 on or off in System ON mode |  |  |  |  |  |  |  |  |  |  |  |  |  |  |  |  |  |  |  |  |  |  |  |     |  |   |   |
|                  |   |         | Off      | 1     | Off   |  |  |  |  |  |  |  |  |  |  |  |  |  |  |  |  |  |  |  |  |  |  |  |     |  |   |   |
| B                | W   | S1POWER |          |       | Keep RAM section S1 of RAM7 on or off in System ON mode |  |  |  |  |  |  |  |  |  |  |  |  |  |  |  |  |  |  |  |  |  |  |  |     |  |   |   |
|                  |   |         | Off      | 1     | Off   |  |  |  |  |  |  |  |  |  |  |  |  |  |  |  |  |  |  |  |  |  |  |  |     |  |   |   |

| Bit number       | 31 | 30          | 29       | 28    | 27  | 26 | 25 | 24 | 23 | 22 | 21 | 20 | 19 | 18 | 17 | 16 | 15 | 14 | 13 | 12 | 11 | 10 | 9 | 8 | 7 | 6 | 5 | 4 | 3 | 2 | 1 | 0 |   |   |
|------------------|----|-------------|----------|-------|---|----|----|----|----|----|----|----|----|----|----|----|----|----|----|----|----|----|---|---|---|---|---|---|---|---|---|---|---|---|
| Id               |    |             |          |       |   |    |    |    |    |    |    |    |    |    | D  | C  |    |    |    |    |    |    |   |   |   |   |   |   |   |   |   |   | B | A |
| Reset 0x0000FFFF | 0  | 0           | 0        | 0     | 0   | 0  | 0  | 0  | 0  | 0  | 0  | 0  | 0  | 0  | 0  | 0  | 1  | 1  | 1  | 1  | 1  | 1  | 1 | 1 | 1 | 1 | 1 | 1 | 1 | 1 | 1 | 1 | 1 |   |
| Id               | RW | Field       | Value Id | Value | Description   |    |    |    |    |    |    |    |    |    |    |    |    |    |    |    |    |    |   |   |   |   |   |   |   |   |   |   |   |   |
| C                | W  | S0RETENTION |          |       | Keep retention on RAM section S0 when RAM section is switched off |    |    |    |    |    |    |    |    |    |    |    |    |    |    |    |    |    |   |   |   |   |   |   |   |   |   |   |   |   |
|                  |    |             | Off      | 1     | Off   |    |    |    |    |    |    |    |    |    |    |    |    |    |    |    |    |    |   |   |   |   |   |   |   |   |   |   |   |   |
| D                | W  | S1RETENTION |          |       | Keep retention on RAM section S1 when RAM section is switched off |    |    |    |    |    |    |    |    |    |    |    |    |    |    |    |    |    |   |   |   |   |   |   |   |   |   |   |   |   |
|                  |    |             | Off      | 1     | Off   |    |    |    |    |    |    |    |    |    |    |    |    |    |    |    |    |    |   |   |   |   |   |   |   |   |   |   |   |   |

## 18.10 Electrical specification

### 18.10.1 Current consumption, sleep

| Symbol    | Description   | Min. | Typ. | Max. | Units   |
|-----------|---|------|------|------|---------|
| $I_{OFF}$ | System OFF current, no RAM retention                  |      | 0.3  |      | $\mu A$ |
| $I_{ON}$  | System ON base current, no RAM retention              |      | 1.2  |      | $\mu A$ |
| $I_{RAM}$ | Additional RAM retention current per 4 KB RAM section |      | 20   |      | nA      |

### 18.10.2 Device startup times

| Symbol             | Description  | Min.                 | Typ.   | Max. | Units   |
|--------------------|--|----------------------|--------|------|---------|
| $t_{POR}$          | Time in Power on Reset after VDD reaches 1.7 V for all supply voltages and temperatures. Dependent on supply rise time. <sup>10</sup>  |                      |        |      |         |
| $t_{POR,10\mu s}$  | VDD rise time 10 $\mu s$   |                      | 1      |      | ms      |
| $t_{POR,10ms}$     | VDD rise time 10ms   |                      | 9      |      | ms      |
| $t_{POR,60ms}$     | VDD rise time 60ms   |                      | 23     |      | ms      |
| $t_{PINR}$         | If a GPIO pin is configured as reset, the maximum time taken to pull up the pin and release reset after power on reset. Dependent on the pin capacitive load (C) <sup>11</sup> : $t=5RC$ , $R = 13k\Omega$ |                      |        |      |         |
| $t_{PINR,500nF}$   | C = 500nF  |                      |        | 32.5 | ms      |
| $t_{PINR,10\mu F}$ | C = 10 $\mu F$   |                      |        | 650  | ms      |
| $t_{R2ON}$         | Time from reset to ON (CPU execute)  |                      |        |      |         |
| $t_{R2ON,NOTCONF}$ | If reset pin not configured  | $t_{POR}$            |        |      | ms      |
| $t_{R2ON,CONF}$    | If reset pin configured  | $t_{POR} + t_{PINR}$ |        |      | ms      |
| $t_{OFF2ON}$       | Time from OFF to CPU execute   |                      | 16.5   |      | $\mu s$ |
| $t_{IDLE2CPU}$     | Time from IDLE to CPU execute  |                      | 3.0    |      | $\mu s$ |
| $t_{EVTSET,CL1}$   | Time from HW event to PPI event in Constant Latency System ON mode   |                      | 0.0625 |      | $\mu s$ |
| $t_{EVTSET,CL0}$   | Time from HW event to PPI event in Low Power System ON mode  |                      | 0.0625 |      | $\mu s$ |

### 18.10.3 Power fail comparator

| Symbol       | Description   | Min. | Typ.    | Max.    | Units   |
|--------------|---|------|---------|---------|---------|
| $I_{POF}$    | Current consumption when enabled <sup>12</sup>  |      | <4      |         | $\mu A$ |
| $V_{POF}$    | Nominal power level warning thresholds (falling supply voltage). Levels are configurable between Min. and Max. in 100mV increments. | 1.7  |         | 2.8     | V       |
| $V_{POFTOL}$ | Threshold voltage tolerance   |      | $\pm 1$ | $\pm 5$ | %       |

<sup>10</sup> A step increase in supply voltage of 300 mV or more, with rise time of 300 ms or less, within the valid supply range, may result in a system reset.

<sup>11</sup> To decrease maximum time a device could hold in reset, a strong external pullup resistor can be used.

<sup>12</sup> To save power, POF will not operate nor consume in System OFF, or while HFCLK is not running, even if left enabled by software

---

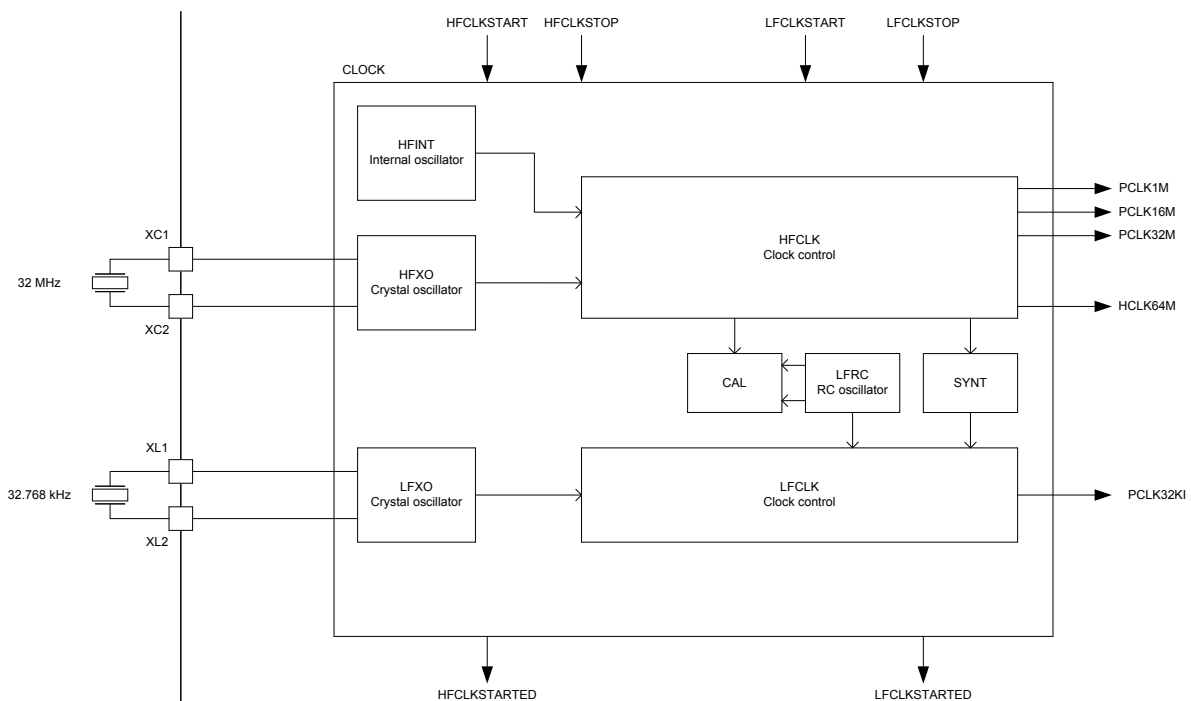
| Symbol        | Description                                   | Min. | Typ. | Max. | Units |
|---------------|---|------|------|------|-------|
| $V_{POFHYST}$ | Threshold voltage hysteresis                  |      | 50   |      | mV    |
| $V_{BOR,OFF}$ | Brown out reset voltage range SYSTEM OFF mode | 1.2  |      | 1.7  | V     |
| $V_{BOR,ON}$  | Brown out reset voltage range SYSTEM ON mode  | 1.5  |      | 1.7  | V     |

## 19 CLOCK — Clock control

The clock control system can source the system clocks from a range of internal or external high and low frequency oscillators and distribute them to modules based upon a module's individual requirements. Clock distribution is automated and grouped independently by module to limit current consumption in unused branches of the clock tree.

Listed here are the main features for CLOCK:

- 64 MHz on-chip oscillator
- 64 MHz crystal oscillator, using external 32 MHz crystal
- 32.768 kHz +/-250 ppm RC oscillator
- 32.768 kHz crystal oscillator, using external 32.768 kHz crystal
- 32.768 kHz oscillator synthesized from 64 MHz oscillator
- Firmware (FW) override control of oscillator activity for low latency start up
- Automatic oscillator and clock control, and distribution for ultra-low power



**Figure 17: Clock control**

### 19.1 HFCLK clock controller

The HFCLK clock controller provides the following clocks to the system.

- HCLK64M: 64 MHz CPU clock
- PCLK1M: 1 MHz peripheral clock
- PCLK16M: 16 MHz peripheral clock
- PCLK32M: 32 MHz peripheral clock

The HFCLK controller supports the following high frequency clock (HFCLK) sources:

- 64 MHz internal oscillator (HFINT)
- 64 MHz crystal oscillator (HF XO)

For illustration, see [Figure 17: Clock control](#) on page 101.

When the system requests one or more clocks from the HFCLK controller, the HFCLK controller will automatically provide them. If the system does not request any clocks provided by the HFCLK controller, the controller will enter a power saving mode.

These clocks are only available when the system is in ON mode. When the system enters ON mode, the internal oscillator (HFINT) clock source will automatically start to be able to provide the required HFCLK clock(s) for the system.

The HFINT will be used when HFCLK is requested and HFXO has not been started. The HFXO is started by triggering the HFCLKSTART task and stopped using the HFCLKSTOP task. A HFCLKSTARTED event will be generated when the HFXO has started and its frequency is stable.

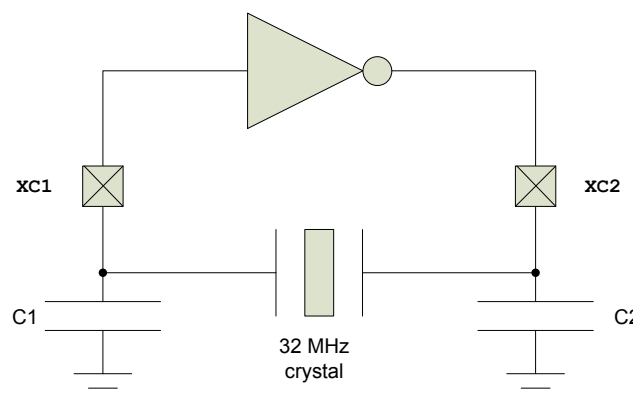
The HFXO must be running to use the RADIO, NFC module or the calibration mechanism associated with the 32.768 kHz RC oscillator.

### 19.1.1 64 MHz crystal oscillator (HFXO)

The 64 MHz crystal oscillator (HFXO) is controlled by a 32 MHz external crystal

The crystal oscillator is designed for use with an AT-cut quartz crystal in parallel resonant mode. To achieve correct oscillation frequency, the load capacitance must match the specification in the crystal data sheet.

*Figure 18: Circuit diagram of the 64 MHz crystal oscillator* on page 102 shows how the 32 MHz crystal is connected to the 64 MHz crystal oscillator.



**Figure 18: Circuit diagram of the 64 MHz crystal oscillator**

The load capacitance (CL) is the total capacitance seen by the crystal across its terminals and is given by:

$$CL = \frac{(C1' \cdot C2')}{(C1' + C2')}$$

$$C1' = C1 + C_{pcb1} + C_{pin}$$

$$C2' = C2 + C_{pcb2} + C_{pin}$$

C1 and C2 are ceramic SMD capacitors connected between each crystal terminal and ground. For more information, see [Reference circuitry](#) on page 546.  $C_{pcb1}$  and  $C_{pcb2}$  are stray capacitances on the PCB.  $C_{pin}$  is the pin input capacitance on the xc1 and xc2 pins. See table [64 MHz crystal oscillator \(HFXO\)](#) on page 109. The load capacitors C1 and C2 should have the same value.

For reliable operation, the crystal load capacitance, shunt capacitance, equivalent series resistance, and drive level must comply with the specifications in table [64 MHz crystal oscillator \(HFXO\)](#) on page 109. It is recommended to use a crystal with lower than maximum load capacitance and/or shunt capacitance. A low load capacitance will reduce both start up time and current consumption.

## 19.2 LFCLK clock controller

The system supports several low frequency clock sources.

As illustrated in [Figure 17: Clock control](#) on page 101, the system supports the following low frequency clock sources:

- 32.768 kHz RC oscillator (LFRC)
- 32.768 kHz crystal oscillator (LFXO)
- 32.768 kHz synthesized from HFCLK (LFSYNT)

The LFCLK clock is started by first selecting the preferred clock source in register [LFCLKSRC](#) on page 108 and then triggering the LFCLKSTART task. If the LFXO is selected as the clock source, the LFCLK will initially start running from the 32.768 kHz LFRC while the LFXO is starting up and automatically switch to using the LFXO once this oscillator is running. The LFCLKSTARTED event will be generated when the LFXO has been started.

The LFCLK clock is stopped by triggering the LFCLKSTOP task.

It is not allowed to write to register [LFCLKSRC](#) on page 108 when the LFCLK is running.

A LFCLKSTOP task will stop the LFCLK oscillator. However, the LFCLKSTOP task can only be triggered after the STATE field in register [LFCLKSTAT](#) on page 107 indicates a 'LFCLK running' state.

The LFCLK clock controller and all of the LFCLK clock sources are always switched off when in OFF mode.

### 19.2.1 32.768 kHz RC oscillator (LFRC)

The default source of the low frequency clock (LFCLK) is the 32.768 kHz RC oscillator (LFRC).

The LFRC frequency will be affected by variation in temperature. The LFRC oscillator can be calibrated to improve accuracy by using the HFXO as a reference oscillator during calibration. See [Table 32.768 kHz RC oscillator \(LFRC\)](#) on page 109 for details on the default and calibrated accuracy of the LFRC oscillator.

The LFRC oscillator does not require additional external components.

### 19.2.2 Calibrating the 32.768 kHz RC oscillator

After the 32.768 kHz RC oscillator is started and running, it can be calibrated by triggering the CAL task. In this case, the HFCLK will be temporarily switched on and used as a reference.

A DONE event will be generated when calibration has finished. The calibration mechanism will only work as long as HFCLK is generated from the HFCLK crystal oscillator, it is therefore necessary to explicitly start this crystal oscillator before calibration can be started, see HFCLKSTART task.

### 19.2.3 Calibration timer

The calibration timer can be used to time the calibration interval of the 32.768 kHz RC oscillator.

The calibration timer is started by triggering the CTSTART task and stopped by triggering the CTSTOP task. The calibration timer will always start counting down from the value specified in CTIV and generate a CTTO timeout event when it reaches 0. The Calibration timer will stop by itself when it reaches 0.



**Figure 19: Calibration timer**

Due to limitations in the calibration timer, only one task related to calibration, that is, CAL, CTSTART and CTSTOP, can be triggered for every period of LFCLK.

### 19.2.4 32.768 kHz crystal oscillator (LFXO)

For higher LFCLK accuracy (when better than +/- 250 ppm accuracy is required), the low frequency crystal oscillator (LFXO) must be used.

The following external clock sources are supported:

- Low swing clock signal applied to the XL1 pin. The XL2 pin shall then be grounded.
- Rail-to-rail clock signal applied to the XL1 pin. The XL2 pin shall then be grounded or left unconnected.

The [LFCLKSRC](#) on page 108 register controls the clock source, and its allowed swing. The truth table for various situations is as follows:

**Table 25: LFCLKSRC configuration depending on clock source**

| SRC | EXTERNAL | BYPASS | Comment  |
|-----|----------|--------|--|
| 0   | 0        | 0      | Normal operation, RC is source   |
| 0   | 0        | 1      | DO NOT USE   |
| 0   | 1        | X      | DO NOT USE   |
| 1   | 0        | 0      | Normal XTAL operation  |
| 1   | 1        | 0      | Apply external low swing signal to XL1, ground XL2                         |
| 1   | 1        | 1      | Apply external full swing signal to XL1, leave XL2 grounded or unconnected |
| 1   | 0        | 1      | DO NOT USE   |
| 2   | 0        | 0      | Normal operation, synth is source  |
| 2   | 0        | 1      | DO NOT USE   |
| 2   | 1        | X      | DO NOT USE   |

To achieve correct oscillation frequency, the load capacitance must match the specification in the crystal data sheet. [Figure 20: Circuit diagram of the 32.768 kHz crystal oscillator](#) on page 104 shows the LFXO circuitry.



**Figure 20: Circuit diagram of the 32.768 kHz crystal oscillator**

The load capacitance (CL) is the total capacitance seen by the crystal across its terminals and is given by:

$$CL = \frac{(C1' \cdot C2')}{(C1' + C2')}$$

$$C1' = C1 + C_{pcb1} + C_{pin}$$

$$C2' = C2 + C_{pcb2} + C_{pin}$$

C1 and C2 are ceramic SMD capacitors connected between each crystal terminal and ground.  $C_{pcb1}$  and  $C_{pcb2}$  are stray capacitances on the PCB.  $C_{pin}$  is the pin input capacitance on the XC1 and XC2 pins (see [32.768 kHz crystal oscillator \(LFXO\)](#) on page 109). The load capacitors C1 and C2 should have the same value.

For more information, see [Reference circuitry](#) on page 546.



### 19.2.5 32.768 kHz synthesized from HFCLK (LFSYNT)

LFCLK can also be synthesized from the HFCLK clock source. The accuracy of LFCLK will then be the accuracy of the HFCLK.

Using the LFSYNT clock avoids the requirement for a 32.768 kHz crystal, but increases average power consumption as the HFCLK will need to be requested in the system.

## 19.3 Registers

**Table 26: Instances**

| Base address | Peripheral | Instance | Description   | Configuration |
|--------------|------------|----------|---------------|---------------|
| 0x40000000   | CLOCK      | CLOCK    | Clock control |               |

**Table 27: Register Overview**

| Register            | Offset | Description   |          |
|---------------------|--------|---|----------|
| TASKS_HFCLKSTART    | 0x000  | Start HFCLK crystal oscillator                                    |          |
| TASKS_HFCLKSTOP     | 0x004  | Stop HFCLK crystal oscillator                                     |          |
| TASKS_LFCLKSTART    | 0x008  | Start LFCLK source  |          |
| TASKS_LFCLKSTOP     | 0x00C  | Stop LFCLK source   |          |
| TASKS_CAL           | 0x010  | Start calibration of LFRC oscillator                              |          |
| TASKS_CTSTART       | 0x014  | Start calibration timer   |          |
| TASKS_CTSTOP        | 0x018  | Stop calibration timer  |          |
| EVENTS_HFCLKSTARTED | 0x100  | HFCLK oscillator started  |          |
| EVENTS_LFCLKSTARTED | 0x104  | LFCLK started   |          |
| EVENTS_DONE         | 0x10C  | Calibration of LFCLK RC oscillator complete event                 |          |
| EVENTS_CTTO         | 0x110  | Calibration timer timeout   |          |
| <i>INTENSET</i>     | 0x304  | Enable interrupt  |          |
| <i>INTENCLR</i>     | 0x308  | Disable interrupt   |          |
| <i>HFCLKRUN</i>     | 0x408  | Status indicating that HFCLKSTART task has been triggered         |          |
| <i>HFCLKSTAT</i>    | 0x40C  | HFCLK status  |          |
| <i>LFCLKRUN</i>     | 0x414  | Status indicating that LFCLKSTART task has been triggered         |          |
| <i>LFCLKSTAT</i>    | 0x418  | LFCLK status  |          |
| <i>LFCLKSRCCOPY</i> | 0x41C  | Copy of LFCLKSRC register, set when LFCLKSTART task was triggered |          |
| <i>LFCLKSRC</i>     | 0x518  | Clock source for the LFCLK  |          |
| <i>CTIV</i>         | 0x538  | Calibration timer interval  | Retained |
| <i>TRACECONFIG</i>  | 0x55C  | Clocking options for the Trace Port debug interface               |          |

#### 19.3.1 INTENSET

Address offset: 0x304

Enable interrupt

| Bit number       | 31 30 29 28 27 26 25 24 23 22 21 20 19 18 17 16 15 14 13 12 11 10 9 8 7 6 5 4 3 2 1 0 |              |          |       |  |  |  |  |  |  |  |  |  |  |  |  |  |  |  |  |  |  |  |  |  |  |  |  |  |  |  |  |
|------------------|---|--------------|----------|-------|--|--|--|--|--|--|--|--|--|--|--|--|--|--|--|--|--|--|--|--|--|--|--|--|--|--|--|--|
| Id               |   |              |          |       |  |  |  |  |  |  |  |  |  |  |  |  |  |  |  |  |  |  |  |  |  |  |  |  |  |  |  |  |
| Reset 0x00000000 | 0           |              |          |       |  |  |  |  |  |  |  |  |  |  |  |  |  |  |  |  |  |  |  |  |  |  |  |  |  |  |  |  |
| Id               | RW  | Field        | Value Id | Value | Description  |  |  |  |  |  |  |  |  |  |  |  |  |  |  |  |  |  |  |  |  |  |  |  |  |  |  |  |
| A                | RW  | HFCLKSTARTED |          |       | Write '1' to Enable interrupt for HFCLKSTARTED event |  |  |  |  |  |  |  |  |  |  |  |  |  |  |  |  |  |  |  |  |  |  |  |  |  |  |  |
|                  |   |              | Set      | 1     | Enable   |  |  |  |  |  |  |  |  |  |  |  |  |  |  |  |  |  |  |  |  |  |  |  |  |  |  |  |
|                  |   |              | Disabled | 0     | Read: Disabled                                       |  |  |  |  |  |  |  |  |  |  |  |  |  |  |  |  |  |  |  |  |  |  |  |  |  |  |  |
|                  |   |              | Enabled  | 1     | Read: Enabled  |  |  |  |  |  |  |  |  |  |  |  |  |  |  |  |  |  |  |  |  |  |  |  |  |  |  |  |
|                  |   |              |          |       | See <a href="#">EVENTS_HFCLKSTARTED</a>              |  |  |  |  |  |  |  |  |  |  |  |  |  |  |  |  |  |  |  |  |  |  |  |  |  |  |  |
| B                | RW  | LFCLKSTARTED |          |       | Write '1' to Enable interrupt for LFCLKSTARTED event |  |  |  |  |  |  |  |  |  |  |  |  |  |  |  |  |  |  |  |  |  |  |  |  |  |  |  |
|                  |   |              | Set      | 1     | Enable   |  |  |  |  |  |  |  |  |  |  |  |  |  |  |  |  |  |  |  |  |  |  |  |  |  |  |  |
|                  |   |              | Disabled | 0     | Read: Disabled                                       |  |  |  |  |  |  |  |  |  |  |  |  |  |  |  |  |  |  |  |  |  |  |  |  |  |  |  |
|                  |   |              | Enabled  | 1     | Read: Enabled  |  |  |  |  |  |  |  |  |  |  |  |  |  |  |  |  |  |  |  |  |  |  |  |  |  |  |  |
|                  |   |              |          |       | See <a href="#">EVENTS_LFCLKSTARTED</a>              |  |  |  |  |  |  |  |  |  |  |  |  |  |  |  |  |  |  |  |  |  |  |  |  |  |  |  |

|                  |    |    |    |    |    |    |    |    |    |    |    |    |    |    |    |    |    |    |    |    |    |    |   |   |   |   |   |   |   |   |   |   |
|------------------|----|----|----|----|----|----|----|----|----|----|----|----|----|----|----|----|----|----|----|----|----|----|---|---|---|---|---|---|---|---|---|---|
| Bit number       | 31 | 30 | 29 | 28 | 27 | 26 | 25 | 24 | 23 | 22 | 21 | 20 | 19 | 18 | 17 | 16 | 15 | 14 | 13 | 12 | 11 | 10 | 9 | 8 | 7 | 6 | 5 | 4 | 3 | 2 | 1 | 0 |
| Id               |    |    |    |    |    |    |    |    |    |    |    |    |    |    |    |    |    |    |    |    |    |    |   |   |   |   |   | D | C | B | A |   |
| Reset 0x00000000 | 0  | 0  | 0  | 0  | 0  | 0  | 0  | 0  | 0  | 0  | 0  | 0  | 0  | 0  | 0  | 0  | 0  | 0  | 0  | 0  | 0  | 0  | 0 | 0 | 0 | 0 | 0 | 0 | 0 | 0 | 0 | 0 |

| Id | RW | Field | Value    | Id | Value | Description                                  |
|----|----|-------|----------|----|-------|--|
| C  | RW | DONE  |          |    |       | Write '1' to Enable interrupt for DONE event |
|    |    |       |          |    |       | See <a href="#">EVENTS_DONE</a>              |
|    |    |       | Set      | 1  |       | Enable                                       |
|    |    |       | Disabled | 0  |       | Read: Disabled                               |
|    |    |       | Enabled  | 1  |       | Read: Enabled                                |
| D  | RW | CTTO  |          |    |       | Write '1' to Enable interrupt for CTTO event |
|    |    |       |          |    |       | See <a href="#">EVENTS_CTTO</a>              |
|    |    |       | Set      | 1  |       | Enable                                       |
|    |    |       | Disabled | 0  |       | Read: Disabled                               |
|    |    |       | Enabled  | 1  |       | Read: Enabled                                |

### 19.3.2 INTENCLR

Address offset: 0x308

Disable interrupt

|                  |    |    |    |    |    |    |    |    |    |    |    |    |    |    |    |    |    |    |    |    |    |    |   |   |   |   |   |   |   |   |   |   |
|------------------|----|----|----|----|----|----|----|----|----|----|----|----|----|----|----|----|----|----|----|----|----|----|---|---|---|---|---|---|---|---|---|---|
| Bit number       | 31 | 30 | 29 | 28 | 27 | 26 | 25 | 24 | 23 | 22 | 21 | 20 | 19 | 18 | 17 | 16 | 15 | 14 | 13 | 12 | 11 | 10 | 9 | 8 | 7 | 6 | 5 | 4 | 3 | 2 | 1 | 0 |
| Id               |    |    |    |    |    |    |    |    |    |    |    |    |    |    |    |    |    |    |    |    |    |    |   |   |   |   |   | D | C | B | A |   |
| Reset 0x00000000 | 0  | 0  | 0  | 0  | 0  | 0  | 0  | 0  | 0  | 0  | 0  | 0  | 0  | 0  | 0  | 0  | 0  | 0  | 0  | 0  | 0  | 0  | 0 | 0 | 0 | 0 | 0 | 0 | 0 | 0 | 0 |   |

| Id | RW | Field        | Value    | Id | Value | Description   |
|----|----|--------------|----------|----|-------|---|
| A  | RW | HFCLKSTARTED |          |    |       | Write '1' to Disable interrupt for HFCLKSTARTED event |
|    |    |              |          |    |       | See <a href="#">EVENTS_HFCLKSTARTED</a>               |
|    |    |              | Clear    | 1  |       | Disable   |
|    |    |              | Disabled | 0  |       | Read: Disabled  |
|    |    |              | Enabled  | 1  |       | Read: Enabled   |
| B  | RW | LFCLKSTARTED |          |    |       | Write '1' to Disable interrupt for LFCLKSTARTED event |
|    |    |              |          |    |       | See <a href="#">EVENTS_LFCLKSTARTED</a>               |
|    |    |              | Clear    | 1  |       | Disable   |
|    |    |              | Disabled | 0  |       | Read: Disabled  |
|    |    |              | Enabled  | 1  |       | Read: Enabled   |
| C  | RW | DONE         |          |    |       | Write '1' to Disable interrupt for DONE event         |
|    |    |              |          |    |       | See <a href="#">EVENTS_DONE</a>                       |
|    |    |              | Clear    | 1  |       | Disable   |
|    |    |              | Disabled | 0  |       | Read: Disabled  |
|    |    |              | Enabled  | 1  |       | Read: Enabled   |
| D  | RW | CTTO         |          |    |       | Write '1' to Disable interrupt for CTTO event         |
|    |    |              |          |    |       | See <a href="#">EVENTS_CTTO</a>                       |
|    |    |              | Clear    | 1  |       | Disable   |
|    |    |              | Disabled | 0  |       | Read: Disabled  |
|    |    |              | Enabled  | 1  |       | Read: Enabled   |

### 19.3.3 HFCLKRUN

Address offset: 0x408

Status indicating that HFCLKSTART task has been triggered

|                  |    |    |    |    |    |    |    |    |    |    |    |    |    |    |    |    |    |    |    |    |    |    |   |   |   |   |   |   |   |   |   |   |
|------------------|----|----|----|----|----|----|----|----|----|----|----|----|----|----|----|----|----|----|----|----|----|----|---|---|---|---|---|---|---|---|---|---|
| Bit number       | 31 | 30 | 29 | 28 | 27 | 26 | 25 | 24 | 23 | 22 | 21 | 20 | 19 | 18 | 17 | 16 | 15 | 14 | 13 | 12 | 11 | 10 | 9 | 8 | 7 | 6 | 5 | 4 | 3 | 2 | 1 | 0 |
| Id               |    |    |    |    |    |    |    |    |    |    |    |    |    |    |    |    |    |    |    |    |    |    |   |   |   |   |   | A |   |   |   |   |
| Reset 0x00000000 | 0  | 0  | 0  | 0  | 0  | 0  | 0  | 0  | 0  | 0  | 0  | 0  | 0  | 0  | 0  | 0  | 0  | 0  | 0  | 0  | 0  | 0  | 0 | 0 | 0 | 0 | 0 | 0 | 0 | 0 | 0 |   |

| Id | RW | Field  | Value        | Id | Value | Description                      |
|----|----|--------|--------------|----|-------|----------------------------------|
| A  | R  | STATUS |              |    |       | HFCLKSTART task triggered or not |
|    |    |        | NotTriggered | 0  |       | Task not triggered               |
|    |    |        | Triggered    | 1  |       | Task triggered                   |

### 19.3.4 HFCLKSTAT

Address offset: 0x40C

HFCLK status

| Bit number       | 31 | 30    | 29         | 28    | 27                                 | 26 | 25 | 24 | 23 | 22 | 21 | 20 | 19 | 18 | 17 | 16 | 15 | 14 | 13 | 12 | 11 | 10 | 9 | 8 | 7 | 6 | 5 | 4 | 3 | 2 | 1 | 0 |
|------------------|----|-------|------------|-------|------------------------------------|----|----|----|----|----|----|----|----|----|----|----|----|----|----|----|----|----|---|---|---|---|---|---|---|---|---|---|
| Id               |    |       |            |       |                                    |    |    |    |    |    |    |    |    |    |    |    | B  |    |    |    |    |    |   |   |   |   |   |   | A |   |   |   |
| Reset 0x00000000 | 0  | 0     | 0          | 0     | 0                                  | 0  | 0  | 0  | 0  | 0  | 0  | 0  | 0  | 0  | 0  | 0  | 0  | 0  | 0  | 0  | 0  | 0  | 0 | 0 | 0 | 0 | 0 | 0 | 0 | 0 | 0 | 0 |
| Id               | RW | Field | Value Id   | Value | Description                        |    |    |    |    |    |    |    |    |    |    |    |    |    |    |    |    |    |   |   |   |   |   |   |   |   |   |   |
| A                | R  | SRC   |            |       | Source of HFCLK                    |    |    |    |    |    |    |    |    |    |    |    |    |    |    |    |    |    |   |   |   |   |   |   |   |   |   |   |
|                  |    |       | RC         | 0     | 64 MHz internal oscillator (HFINT) |    |    |    |    |    |    |    |    |    |    |    |    |    |    |    |    |    |   |   |   |   |   |   |   |   |   |   |
|                  |    |       | Xtal       | 1     | 64 MHz crystal oscillator (HFXO)   |    |    |    |    |    |    |    |    |    |    |    |    |    |    |    |    |    |   |   |   |   |   |   |   |   |   |   |
| B                | R  | STATE |            |       | HFCLK state                        |    |    |    |    |    |    |    |    |    |    |    |    |    |    |    |    |    |   |   |   |   |   |   |   |   |   |   |
|                  |    |       | NotRunning | 0     | HFCLK not running                  |    |    |    |    |    |    |    |    |    |    |    |    |    |    |    |    |    |   |   |   |   |   |   |   |   |   |   |
|                  |    |       | Running    | 1     | HFCLK running                      |    |    |    |    |    |    |    |    |    |    |    |    |    |    |    |    |    |   |   |   |   |   |   |   |   |   |   |

### 19.3.5 LFCLKRUN

Address offset: 0x414

Status indicating that LFCLKSTART task has been triggered

| Bit number       | 31 | 30     | 29           | 28    | 27                               | 26 | 25 | 24 | 23 | 22 | 21 | 20 | 19 | 18 | 17 | 16 | 15 | 14 | 13 | 12 | 11 | 10 | 9 | 8 | 7 | 6 | 5 | 4 | 3 | 2 | 1 | 0 |
|------------------|----|--------|--------------|-------|----------------------------------|----|----|----|----|----|----|----|----|----|----|----|----|----|----|----|----|----|---|---|---|---|---|---|---|---|---|---|
| Id               |    |        |              |       |                                  |    |    |    |    |    |    |    |    |    |    |    | B  |    |    |    |    |    |   |   |   |   |   |   | A |   |   |   |
| Reset 0x00000000 | 0  | 0      | 0            | 0     | 0                                | 0  | 0  | 0  | 0  | 0  | 0  | 0  | 0  | 0  | 0  | 0  | 0  | 0  | 0  | 0  | 0  | 0  | 0 | 0 | 0 | 0 | 0 | 0 | 0 | 0 | 0 |   |
| Id               | RW | Field  | Value Id     | Value | Description                      |    |    |    |    |    |    |    |    |    |    |    |    |    |    |    |    |    |   |   |   |   |   |   |   |   |   |   |
| A                | R  | STATUS |              |       | LFCLKSTART task triggered or not |    |    |    |    |    |    |    |    |    |    |    |    |    |    |    |    |    |   |   |   |   |   |   |   |   |   |   |
|                  |    |        | NotTriggered | 0     | Task not triggered               |    |    |    |    |    |    |    |    |    |    |    |    |    |    |    |    |    |   |   |   |   |   |   |   |   |   |   |
|                  |    |        | Triggered    | 1     | Task triggered                   |    |    |    |    |    |    |    |    |    |    |    |    |    |    |    |    |    |   |   |   |   |   |   |   |   |   |   |

### 19.3.6 LFCLKSTAT

Address offset: 0x418

LFCLK status

| Bit number       | 31 | 30    | 29         | 28    | 27                                | 26 | 25 | 24 | 23 | 22 | 21 | 20 | 19 | 18 | 17 | 16 | 15 | 14 | 13 | 12 | 11 | 10 | 9 | 8 | 7 | 6 | 5 | 4 | 3   | 2 | 1 | 0 |
|------------------|----|-------|------------|-------|-----------------------------------|----|----|----|----|----|----|----|----|----|----|----|----|----|----|----|----|----|---|---|---|---|---|---|-----|---|---|---|
| Id               |    |       |            |       |                                   |    |    |    |    |    |    |    |    |    |    |    | B  |    |    |    |    |    |   |   |   |   |   |   | A A |   |   |   |
| Reset 0x00000000 | 0  | 0     | 0          | 0     | 0                                 | 0  | 0  | 0  | 0  | 0  | 0  | 0  | 0  | 0  | 0  | 0  | 0  | 0  | 0  | 0  | 0  | 0  | 0 | 0 | 0 | 0 | 0 | 0 | 0   | 0 | 0 |   |
| Id               | RW | Field | Value Id   | Value | Description                       |    |    |    |    |    |    |    |    |    |    |    |    |    |    |    |    |    |   |   |   |   |   |   |     |   |   |   |
| A                | R  | SRC   |            |       | Source of LFCLK                   |    |    |    |    |    |    |    |    |    |    |    |    |    |    |    |    |    |   |   |   |   |   |   |     |   |   |   |
|                  |    |       | RC         | 0     | 32.768 kHz RC oscillator          |    |    |    |    |    |    |    |    |    |    |    |    |    |    |    |    |    |   |   |   |   |   |   |     |   |   |   |
|                  |    |       | Xtal       | 1     | 32.768 kHz crystal oscillator     |    |    |    |    |    |    |    |    |    |    |    |    |    |    |    |    |    |   |   |   |   |   |   |     |   |   |   |
|                  |    |       | Synth      | 2     | 32.768 kHz synthesized from HFCLK |    |    |    |    |    |    |    |    |    |    |    |    |    |    |    |    |    |   |   |   |   |   |   |     |   |   |   |
| B                | R  | STATE |            |       | LFCLK state                       |    |    |    |    |    |    |    |    |    |    |    |    |    |    |    |    |    |   |   |   |   |   |   |     |   |   |   |
|                  |    |       | NotRunning | 0     | LFCLK not running                 |    |    |    |    |    |    |    |    |    |    |    |    |    |    |    |    |    |   |   |   |   |   |   |     |   |   |   |
|                  |    |       | Running    | 1     | LFCLK running                     |    |    |    |    |    |    |    |    |    |    |    |    |    |    |    |    |    |   |   |   |   |   |   |     |   |   |   |

### 19.3.7 LFCLKSRCCOPY

Address offset: 0x41C

Copy of LFCLKSRC register, set when LFCLKSTART task was triggered

| Bit number       | 31 | 30    | 29       | 28    | 27                                | 26 | 25 | 24 | 23 | 22 | 21 | 20 | 19 | 18 | 17 | 16 | 15 | 14 | 13 | 12 | 11 | 10 | 9 | 8 | 7 | 6 | 5 | 4 | 3   | 2 | 1 | 0 |
|------------------|----|-------|----------|-------|-----------------------------------|----|----|----|----|----|----|----|----|----|----|----|----|----|----|----|----|----|---|---|---|---|---|---|-----|---|---|---|
| Id               |    |       |          |       |                                   |    |    |    |    |    |    |    |    |    |    |    | B  |    |    |    |    |    |   |   |   |   |   |   | A A |   |   |   |
| Reset 0x00000000 | 0  | 0     | 0        | 0     | 0                                 | 0  | 0  | 0  | 0  | 0  | 0  | 0  | 0  | 0  | 0  | 0  | 0  | 0  | 0  | 0  | 0  | 0  | 0 | 0 | 0 | 0 | 0 | 0 | 0   | 0 | 0 |   |
| Id               | RW | Field | Value Id | Value | Description                       |    |    |    |    |    |    |    |    |    |    |    |    |    |    |    |    |    |   |   |   |   |   |   |     |   |   |   |
| A                | R  | SRC   |          |       | Clock source                      |    |    |    |    |    |    |    |    |    |    |    |    |    |    |    |    |    |   |   |   |   |   |   |     |   |   |   |
|                  |    |       | RC       | 0     | 32.768 kHz RC oscillator          |    |    |    |    |    |    |    |    |    |    |    |    |    |    |    |    |    |   |   |   |   |   |   |     |   |   |   |
|                  |    |       | Xtal     | 1     | 32.768 kHz crystal oscillator     |    |    |    |    |    |    |    |    |    |    |    |    |    |    |    |    |    |   |   |   |   |   |   |     |   |   |   |
|                  |    |       | Synth    | 2     | 32.768 kHz synthesized from HFCLK |    |    |    |    |    |    |    |    |    |    |    |    |    |    |    |    |    |   |   |   |   |   |   |     |   |   |   |

### 19.3.8 LFCLKSRC

Address offset: 0x518

Clock source for the LFCLK

| Bit number       | 31 30 29 28 27 26 25 24 23 22 21 20 19 18 17 16 15 14 13 12 11 10 9 8 7 6 5 4 3 2 1 0 |          |          |                                   |   |  |  |  |  |  |  |  |  |  |  |  |  |  |  |  |  |  |  |  |  |  |  |  |   |   |  |  |   |   |
|------------------|---|----------|----------|-----------------------------------|---|--|--|--|--|--|--|--|--|--|--|--|--|--|--|--|--|--|--|--|--|--|--|--|---|---|--|--|---|---|
| Id               |   |          |          |                                   |   |  |  |  |  |  |  |  |  |  |  |  |  |  |  |  |  |  |  |  |  |  |  |  | C | B |  |  | A | A |
| Reset 0x00000000 | 0             |          |          |                                   |   |  |  |  |  |  |  |  |  |  |  |  |  |  |  |  |  |  |  |  |  |  |  |  |   |   |  |  |   |   |
| Id               | RW  | Field    | Value Id | Value                             | Description   |  |  |  |  |  |  |  |  |  |  |  |  |  |  |  |  |  |  |  |  |  |  |  |   |   |  |  |   |   |
| A                | RW  | SRC      |          |                                   | Clock source  |  |  |  |  |  |  |  |  |  |  |  |  |  |  |  |  |  |  |  |  |  |  |  |   |   |  |  |   |   |
|                  |   |          | RC       | 0                                 | 32.768 kHz RC oscillator  |  |  |  |  |  |  |  |  |  |  |  |  |  |  |  |  |  |  |  |  |  |  |  |   |   |  |  |   |   |
|                  |   |          | Xtal     | 1                                 | 32.768 kHz crystal oscillator   |  |  |  |  |  |  |  |  |  |  |  |  |  |  |  |  |  |  |  |  |  |  |  |   |   |  |  |   |   |
|                  |   | Synth    | 2        | 32.768 kHz synthesized from HFCLK |   |  |  |  |  |  |  |  |  |  |  |  |  |  |  |  |  |  |  |  |  |  |  |  |   |   |  |  |   |   |
| B                | RW  | BYPASS   |          |                                   | Enable or disable bypass of LFCLK crystal oscillator with external clock source |  |  |  |  |  |  |  |  |  |  |  |  |  |  |  |  |  |  |  |  |  |  |  |   |   |  |  |   |   |
|                  |   |          | Disabled | 0                                 | Disable (use with Xtal or low-swing external source)                            |  |  |  |  |  |  |  |  |  |  |  |  |  |  |  |  |  |  |  |  |  |  |  |   |   |  |  |   |   |
|                  |   |          | Enabled  | 1                                 | Enable (use with rail-to-rail external source)                                  |  |  |  |  |  |  |  |  |  |  |  |  |  |  |  |  |  |  |  |  |  |  |  |   |   |  |  |   |   |
| C                | RW  | EXTERNAL |          |                                   | Enable or disable external source for LFCLK                                     |  |  |  |  |  |  |  |  |  |  |  |  |  |  |  |  |  |  |  |  |  |  |  |   |   |  |  |   |   |
|                  |   |          | Disabled | 0                                 | Disable external source (use with Xtal)   |  |  |  |  |  |  |  |  |  |  |  |  |  |  |  |  |  |  |  |  |  |  |  |   |   |  |  |   |   |
|                  |   |          | Enabled  | 1                                 | Enable use of external source instead of Xtal (SRC needs to be set to Xtal)     |  |  |  |  |  |  |  |  |  |  |  |  |  |  |  |  |  |  |  |  |  |  |  |   |   |  |  |   |   |

### 19.3.9 CTIV ( Retained )

Address offset: 0x538

This register is a retained register

Calibration timer interval

| Bit number       | 31 30 29 28 27 26 25 24 23 22 21 20 19 18 17 16 15 14 13 12 11 10 9 8 7 6 5 4 3 2 1 0 |       |          |       |   |  |  |  |  |  |  |  |  |  |  |  |  |  |  |  |  |  |  |  |  |  |  |  |   |   |   |   |   |   |
|------------------|---|-------|----------|-------|---|--|--|--|--|--|--|--|--|--|--|--|--|--|--|--|--|--|--|--|--|--|--|--|---|---|---|---|---|---|
| Id               |   |       |          |       |   |  |  |  |  |  |  |  |  |  |  |  |  |  |  |  |  |  |  |  |  |  |  |  | A | A | A | A | A | A |
| Reset 0x00000000 | 0             |       |          |       |   |  |  |  |  |  |  |  |  |  |  |  |  |  |  |  |  |  |  |  |  |  |  |  |   |   |   |   |   |   |
| Id               | RW  | Field | Value Id | Value | Description   |  |  |  |  |  |  |  |  |  |  |  |  |  |  |  |  |  |  |  |  |  |  |  |   |   |   |   |   |   |
| A                | RW  | CTIV  |          |       | Calibration timer interval in multiple of 0.25 seconds. Range: 0.25 seconds to 31.75 seconds. |  |  |  |  |  |  |  |  |  |  |  |  |  |  |  |  |  |  |  |  |  |  |  |   |   |   |   |   |   |

### 19.3.10 TRACECONFIG

Address offset: 0x55C

Clocking options for the Trace Port debug interface

This register is a retained register. Reset behavior is the same as debug components.

| Bit number       | 31 30 29 28 27 26 25 24 23 22 21 20 19 18 17 16 15 14 13 12 11 10 9 8 7 6 5 4 3 2 1 0 |                |          |       |  |  |  |  |  |  |  |  |  |  |  |  |  |  |  |  |  |  |  |  |  |  |  |  |   |   |  |  |   |   |
|------------------|---|----------------|----------|-------|--|--|--|--|--|--|--|--|--|--|--|--|--|--|--|--|--|--|--|--|--|--|--|--|---|---|--|--|---|---|
| Id               |   |                |          |       |  |  |  |  |  |  |  |  |  |  |  |  |  |  |  |  |  |  |  |  |  |  |  |  | B | B |  |  | A | A |
| Reset 0x00000000 | 0             |                |          |       |  |  |  |  |  |  |  |  |  |  |  |  |  |  |  |  |  |  |  |  |  |  |  |  |   |   |  |  |   |   |
| Id               | RW  | Field          | Value Id | Value | Description  |  |  |  |  |  |  |  |  |  |  |  |  |  |  |  |  |  |  |  |  |  |  |  |   |   |  |  |   |   |
| A                | RW  | TRACEPORTSPEED |          |       | Speed of Trace Port clock. Note that the TRACECLK pin will output this clock divided by two. |  |  |  |  |  |  |  |  |  |  |  |  |  |  |  |  |  |  |  |  |  |  |  |   |   |  |  |   |   |
|                  |   |                | 32MHz    | 0     | 32 MHz Trace Port clock (TRACECLK = 16 MHz)  |  |  |  |  |  |  |  |  |  |  |  |  |  |  |  |  |  |  |  |  |  |  |  |   |   |  |  |   |   |
|                  |   |                | 16MHz    | 1     | 16 MHz Trace Port clock (TRACECLK = 8 MHz)   |  |  |  |  |  |  |  |  |  |  |  |  |  |  |  |  |  |  |  |  |  |  |  |   |   |  |  |   |   |
|                  |   |                | 8MHz     | 2     | 8 MHz Trace Port clock (TRACECLK = 4 MHz)  |  |  |  |  |  |  |  |  |  |  |  |  |  |  |  |  |  |  |  |  |  |  |  |   |   |  |  |   |   |
|                  |   |                | 4MHz     | 3     | 4 MHz Trace Port clock (TRACECLK = 2 MHz)  |  |  |  |  |  |  |  |  |  |  |  |  |  |  |  |  |  |  |  |  |  |  |  |   |   |  |  |   |   |
| B                | RW  | TRACEMUX       |          |       | Pin multiplexing of trace signals.   |  |  |  |  |  |  |  |  |  |  |  |  |  |  |  |  |  |  |  |  |  |  |  |   |   |  |  |   |   |
|                  |   |                | GPIO     | 0     | GPIOs multiplexed onto all trace-pins  |  |  |  |  |  |  |  |  |  |  |  |  |  |  |  |  |  |  |  |  |  |  |  |   |   |  |  |   |   |
|                  |   |                | Serial   | 1     | SWO multiplexed onto P0.18, GPIO multiplexed onto other trace pins                           |  |  |  |  |  |  |  |  |  |  |  |  |  |  |  |  |  |  |  |  |  |  |  |   |   |  |  |   |   |
|                  |   |                | Parallel | 2     | TRACECLK and TRACEDATA multiplexed onto P0.20, P0.18, P0.16, P0.15 and P0.14.                |  |  |  |  |  |  |  |  |  |  |  |  |  |  |  |  |  |  |  |  |  |  |  |   |   |  |  |   |   |

## 19.4 Electrical specification

### 19.4.1 64 MHz internal oscillator (HFINT)

| Symbol             | Description              | Min. | Typ.        | Max.      | Units   |
|--------------------|--------------------------|------|-------------|-----------|---------|
| $f_{NOM\_HFINT}$   | Nominal output frequency |      | 64          |           | MHz     |
| $f_{TOL\_HFINT}$   | Frequency tolerance      |      | < $\pm 1.5$ | < $\pm 6$ | %       |
| $I_{HFINT}$        | Run current              |      | 60          |           | $\mu A$ |
| $I_{START\_HFINT}$ | Average startup current  |      | $I_{HFINT}$ |           | $\mu A$ |
| $t_{START\_HFINT}$ | Startup time             |      | 3           |           | us      |

### 19.4.2 64 MHz crystal oscillator (HFXO)

| Symbol               | Description  | Min. | Typ. | Max.     | Units   |
|----------------------|--|------|------|----------|---------|
| $f_{NOM\_HFXO}$      | Nominal output frequency   |      | 64   |          | MHz     |
| $f_{XTAL\_HFXO}$     | External crystal frequency   |      | 32   |          | MHz     |
| $f_{TOL\_HFXO}$      | Frequency tolerance requirement for 2.4 GHz proprietary radio applications |      |      | $\pm 60$ | ppm     |
| $f_{TOL\_HFXO\_BLE}$ | Frequency tolerance requirement, Bluetooth low energy applications         |      |      | $\pm 40$ | ppm     |
| $C_{L\_HFXO}$        | Load capacitance   |      |      | 12       | pF      |
| $C_{O\_HFXO}$        | Shunt capacitance  |      |      | 7        | pF      |
| $R_{S\_HFXO\_7PF}$   | Equivalent series resistance $C_0 = 7$ pF                                  |      |      | 60       | ohm     |
| $R_{S\_HFXO\_5PF}$   | Equivalent series resistance $C_0 = 5$ pF                                  |      |      | 80       | ohm     |
| $R_{S\_HFXO\_3PF}$   | Equivalent series resistance $C_0 = 3$ pF                                  |      |      | 100      | ohm     |
| $P_{D\_HFXO}$        | Drive level  |      |      | 100      | $\mu W$ |
| $C_{PIN\_HFXO}$      | Input capacitance XC1 and XC2  |      | 4    |          | pF      |
| $I_{STBY\_X32M}$     | Core standby current <sup>13</sup>   |      | 50   |          | $\mu A$ |
| $I_{HFXO}$           | Run current  |      | 250  |          | $\mu A$ |
| $I_{START\_HFXO}$    | Average startup current, first 1 ms  |      | 0.4  |          | mA      |
| $t_{START\_HFXO}$    | Startup time   |      | 0.36 |          | ms      |

### 19.4.3 32.768 kHz RC oscillator (LFRC)

| Symbol               | Description  | Min. | Typ.   | Max.      | Units   |
|----------------------|--|------|--------|-----------|---------|
| $f_{NOM\_LFRC}$      | Nominal frequency  |      | 32.768 |           | kHz     |
| $f_{TOL\_LFRC}$      | Frequency tolerance  |      |        | $\pm 2$   | %       |
| $f_{TOL\_CAL\_LFRC}$ | Frequency tolerance for LFRC after calibration <sup>14</sup> |      |        | $\pm 250$ | ppm     |
| $I_{LFRC}$           | Run current for 32.768 kHz RC oscillator                     |      | 0.6    | 1         | $\mu A$ |
| $t_{START\_LFRC}$    | Startup time for 32.768 kHz RC oscillator                    |      | 600    |           | us      |

### 19.4.4 32.768 kHz crystal oscillator (LFXO)

| Symbol               | Description                                   | Min. | Typ.   | Max.      | Units   |
|----------------------|---|------|--------|-----------|---------|
| $f_{NOM\_LFXO}$      | Crystal frequency                             |      | 32.768 |           | kHz     |
| $f_{TOL\_LFXO\_BLE}$ | Frequency tolerance requirement for BLE stack |      |        | $\pm 250$ | ppm     |
| $f_{TOL\_LFXO\_ANT}$ | Frequency tolerance requirement for ANT stack |      |        | $\pm 50$  | ppm     |
| $C_{L\_LFXO}$        | Load capacitance                              |      |        | 12.5      | pF      |
| $C_{O\_LFXO}$        | Shunt capacitance                             |      |        | 2         | pF      |
| $R_{S\_LFXO}$        | Equivalent series resistance                  |      |        | 100       | kohm    |
| $P_{D\_LFXO}$        | Drive level                                   |      |        | 1         | $\mu W$ |
| $C_{pin}$            | Input capacitance on XL1 and XL2 pads         |      | 4      |           | pF      |
| $I_{LFXO}$           | Run current for 32.768 kHz crystal oscillator |      | 0.25   |           | $\mu A$ |

<sup>13</sup> Current drawn if HFXO is forced on through for instance using the low latency power mode.

<sup>14</sup> Constant temperature within  $\pm 0.5$  °C and calibration performed at least every 8 seconds

| Symbol                        | Description  | Min. | Typ. | Max. | Units |
|-------------------------------|--|------|------|------|-------|
| $t_{\text{START\_LFXO}}$      | Startup time for 32.768 kHz crystal oscillator   |      | 0.25 |      | s     |
| $V_{\text{AMP\_IN\_XO\_LOW}}$ | Peak to peak amplitude for external low swing clock. Input signal must not swing outside supply rails. | 200  |      | 1000 | mV    |

### 19.4.5 32.768 kHz synthesized from HFCLK (LFSYNT)

| Symbol                     | Description  | Min. | Typ.   | Max. | Units         |
|----------------------------|--|------|--------|------|---------------|
| $f_{\text{NOM\_LFSYNT}}$   | Nominal frequency  |      | 32.768 |      | kHz           |
| $f_{\text{TOL\_LFSYNT}}$   | Frequency tolerance in addition to HFCLK tolerance <sup>15</sup> |      | 8      |      | ppm           |
| $I_{\text{LFSYNT}}$        | Run current for synthesized 32.768 kHz                           |      | 100    |      | $\mu\text{A}$ |
| $t_{\text{START\_LFSYNT}}$ | Startup time for synthesized 32.768 kHz                          |      | 100    |      | us            |

<sup>15</sup> Frequency tolerance will be derived from the HFCLK source clock plus the LFSYNT tolerance

## 20 GPIO — General purpose input/output

The general purpose input/output (GPIO) is organized as one port with up to 32 I/Os (dependent on package) enabling access and control of up to 32 pins through one port. Each GPIO can be accessed individually.

GPIO has the following user-configurable features:

- Up to 32 GPIO
- 8 GPIO with Analog channels for SAADC, COMP or LPCOMP inputs
- Configurable output drive strength
- Internal pull-up and pull-down resistors
- Wake-up from high or low level triggers on all pins
- Trigger interrupt on state changes on any pin
- All pins can be used by the PPI task/event system
- One or more GPIO outputs can be controlled through PPI and GPIOTE channels
- All pins can be individually mapped to interface blocks for layout flexibility
- GPIO state changes captured on SENSE signal can be stored by LATCH register

The GPIO Port peripheral implements up to 32 pins, `PIN0` through `PIN31`. Each of these pins can be individually configured in the `PIN_CNF[n]` registers ( $n=0..31$ ).

The following parameters can be configured through these registers:

- Direction
- Drive strength
- Enabling of pull-up and pull-down resistors
- Pin sensing
- Input buffer disconnect
- Analog input (for selected pins)

The `PIN_CNF` registers are retained registers. See [POWER — Power supply](#) on page 78 chapter for more information about retained registers.

### 20.1 Pin configuration

Pins can be individually configured, through the `SENSE` field in the `PIN_CNF[n]` register, to detect either a high level or a low level on their input.

When the correct level is detected on any such configured pin, the sense mechanism will set the `DETECT` signal high. Each pin has a separate `DETECT` signal, and the default behaviour, as defined by the `DETECTMODE` register, is that the `DETECT` signal from all pins in the GPIO Port are combined into a common `DETECT` signal that is routed throughout the system, which then can be utilized by other peripherals, see [Figure 21: GPIO Port and the GPIO pin details](#) on page 112. This mechanism is functional in both ON and OFF mode.







**Figure 22: DETECT signal behavior**

The input buffer of a GPIO pin can be disconnected from the pin to enable power savings when the pin is not used as an input, see [Figure 21: GPIO Port and the GPIO pin details](#) on page 112. Inputs must be connected in order to get a valid input value in the IN register and for the sense mechanism to get access to the pin.

Other peripherals in the system can attach themselves to GPIO pins and override their output value and configuration, or read their analog or digital input value, see [Figure 21: GPIO Port and the GPIO pin details](#) on page 112.

Selected pins also support analog input signals, see ANAIN in [Figure 21: GPIO Port and the GPIO pin details](#) on page 112. The assignment of the analog pins can be found in [Pin assignments](#) on page 13.

**Important:** When a pin is configured as digital input, care has been taken in the nRF52832 design to minimize increased current consumption when the input voltage is between  $V_{IL}$  and  $V_{IH}$ . However, it is a good practice to ensure that the external circuitry does not drive that pin to levels between  $V_{IL}$  and  $V_{IH}$  for a long period of time.

## 20.2 GPIO located near the RADIO

Radio performance parameters, such as sensitivity, may be affected by high frequency digital I/O with large sink/source current close to the radio power supply and antenna pins.

Refer to [Pin assignments](#) on page 13 for recommended usage guidelines to maximize radio performance in an application.

## 20.3 Registers

**Table 28: Instances**

| Base address | Peripheral | Instance | Description                      | Configuration |
|--------------|------------|----------|----------------------------------|---------------|
| 0x50000000   | GPIO       | GPIO     | General purpose input and output | Deprecated    |
| 0x50000000   | GPIO       | P0       | General purpose input and output |               |

**Table 29: Register Overview**

| Register           | Offset | Description   |
|--------------------|--------|---|
| <i>OUT</i>         | 0x504  | Write GPIO port   |
| <i>OUTSET</i>      | 0x508  | Set individual bits in GPIO port  |
| <i>OUTCLR</i>      | 0x50C  | Clear individual bits in GPIO port  |
| <i>IN</i>          | 0x510  | Read GPIO port  |
| <i>DIR</i>         | 0x514  | Direction of GPIO pins  |
| <i>DIRSET</i>      | 0x518  | DIR set register  |
| <i>DIRCLR</i>      | 0x51C  | DIR clear register  |
| <i>LATCH</i>       | 0x520  | Latch register indicating what GPIO pins that have met the criteria set in the PIN_CNF[n].SENSE registers |
| <i>DETECTMODE</i>  | 0x524  | Select between default DETECT signal behaviour and LDETECT mode   |
| <i>PIN_CNF[0]</i>  | 0x700  | Configuration of GPIO pins  |
| <i>PIN_CNF[1]</i>  | 0x704  | Configuration of GPIO pins  |
| <i>PIN_CNF[2]</i>  | 0x708  | Configuration of GPIO pins  |
| <i>PIN_CNF[3]</i>  | 0x70C  | Configuration of GPIO pins  |
| <i>PIN_CNF[4]</i>  | 0x710  | Configuration of GPIO pins  |
| <i>PIN_CNF[5]</i>  | 0x714  | Configuration of GPIO pins  |
| <i>PIN_CNF[6]</i>  | 0x718  | Configuration of GPIO pins  |
| <i>PIN_CNF[7]</i>  | 0x71C  | Configuration of GPIO pins  |
| <i>PIN_CNF[8]</i>  | 0x720  | Configuration of GPIO pins  |
| <i>PIN_CNF[9]</i>  | 0x724  | Configuration of GPIO pins  |
| <i>PIN_CNF[10]</i> | 0x728  | Configuration of GPIO pins  |
| <i>PIN_CNF[11]</i> | 0x72C  | Configuration of GPIO pins  |
| <i>PIN_CNF[12]</i> | 0x730  | Configuration of GPIO pins  |
| <i>PIN_CNF[13]</i> | 0x734  | Configuration of GPIO pins  |
| <i>PIN_CNF[14]</i> | 0x738  | Configuration of GPIO pins  |
| <i>PIN_CNF[15]</i> | 0x73C  | Configuration of GPIO pins  |
| <i>PIN_CNF[16]</i> | 0x740  | Configuration of GPIO pins  |
| <i>PIN_CNF[17]</i> | 0x744  | Configuration of GPIO pins  |
| <i>PIN_CNF[18]</i> | 0x748  | Configuration of GPIO pins  |
| <i>PIN_CNF[19]</i> | 0x74C  | Configuration of GPIO pins  |
| <i>PIN_CNF[20]</i> | 0x750  | Configuration of GPIO pins  |
| <i>PIN_CNF[21]</i> | 0x754  | Configuration of GPIO pins  |
| <i>PIN_CNF[22]</i> | 0x758  | Configuration of GPIO pins  |
| <i>PIN_CNF[23]</i> | 0x75C  | Configuration of GPIO pins  |
| <i>PIN_CNF[24]</i> | 0x760  | Configuration of GPIO pins  |
| <i>PIN_CNF[25]</i> | 0x764  | Configuration of GPIO pins  |
| <i>PIN_CNF[26]</i> | 0x768  | Configuration of GPIO pins  |
| <i>PIN_CNF[27]</i> | 0x76C  | Configuration of GPIO pins  |
| <i>PIN_CNF[28]</i> | 0x770  | Configuration of GPIO pins  |
| <i>PIN_CNF[29]</i> | 0x774  | Configuration of GPIO pins  |
| <i>PIN_CNF[30]</i> | 0x778  | Configuration of GPIO pins  |
| <i>PIN_CNF[31]</i> | 0x77C  | Configuration of GPIO pins  |

### 20.3.1 OUT

Address offset: 0x504

Write GPIO port

| Bit number       |   |       |          |       |                    |  |  |  |  |  |  |  |  |  |  |  |  |  |  |  |  |  |  |  |  |  |  |  |  |  |  |  |
|------------------|---|-------|----------|-------|--------------------|--|--|--|--|--|--|--|--|--|--|--|--|--|--|--|--|--|--|--|--|--|--|--|--|--|--|--|
| Id               | f e d c b a Z Y X W V U T S R Q P O N M L K J I H G F E D C B A             |       |          |       |                    |  |  |  |  |  |  |  |  |  |  |  |  |  |  |  |  |  |  |  |  |  |  |  |  |  |  |  |
| Reset 0x00000000 | 0 |       |          |       |                    |  |  |  |  |  |  |  |  |  |  |  |  |  |  |  |  |  |  |  |  |  |  |  |  |  |  |  |
| Id               | RW  | Field | Value Id | Value | Description        |  |  |  |  |  |  |  |  |  |  |  |  |  |  |  |  |  |  |  |  |  |  |  |  |  |  |  |
| A                | RW  | PIN0  | Low      | 0     | Pin driver is low  |  |  |  |  |  |  |  |  |  |  |  |  |  |  |  |  |  |  |  |  |  |  |  |  |  |  |  |
|                  |   |       | High     | 1     | Pin driver is high |  |  |  |  |  |  |  |  |  |  |  |  |  |  |  |  |  |  |  |  |  |  |  |  |  |  |  |
| B                | RW  | PIN1  |          |       | Pin 1              |  |  |  |  |  |  |  |  |  |  |  |  |  |  |  |  |  |  |  |  |  |  |  |  |  |  |  |

|                  |    |    |    |    |    |    |    |    |    |    |    |    |    |    |    |    |    |    |    |    |    |    |   |   |   |   |   |   |   |   |   |   |
|------------------|----|----|----|----|----|----|----|----|----|----|----|----|----|----|----|----|----|----|----|----|----|----|---|---|---|---|---|---|---|---|---|---|
| Bit number       | 31 | 30 | 29 | 28 | 27 | 26 | 25 | 24 | 23 | 22 | 21 | 20 | 19 | 18 | 17 | 16 | 15 | 14 | 13 | 12 | 11 | 10 | 9 | 8 | 7 | 6 | 5 | 4 | 3 | 2 | 1 | 0 |
| Id               | f  | e  | d  | c  | b  | a  | Z  | Y  | X  | W  | V  | U  | T  | S  | R  | Q  | P  | O  | N  | M  | L  | K  | J | I | H | G | F | E | D | C | B | A |
| Reset 0x00000000 | 0  | 0  | 0  | 0  | 0  | 0  | 0  | 0  | 0  | 0  | 0  | 0  | 0  | 0  | 0  | 0  | 0  | 0  | 0  | 0  | 0  | 0  | 0 | 0 | 0 | 0 | 0 | 0 | 0 | 0 | 0 | 0 |

| Id | RW | Field | Value Id | Value | Description        |
|----|----|-------|----------|-------|--------------------|
|    |    |       | Low      | 0     | Pin driver is low  |
|    |    |       | High     | 1     | Pin driver is high |
| C  | RW | PIN2  |          |       | Pin 2              |
|    |    |       | Low      | 0     | Pin driver is low  |
|    |    |       | High     | 1     | Pin driver is high |
| D  | RW | PIN3  |          |       | Pin 3              |
|    |    |       | Low      | 0     | Pin driver is low  |
|    |    |       | High     | 1     | Pin driver is high |
| E  | RW | PIN4  |          |       | Pin 4              |
|    |    |       | Low      | 0     | Pin driver is low  |
|    |    |       | High     | 1     | Pin driver is high |
| F  | RW | PIN5  |          |       | Pin 5              |
|    |    |       | Low      | 0     | Pin driver is low  |
|    |    |       | High     | 1     | Pin driver is high |
| G  | RW | PIN6  |          |       | Pin 6              |
|    |    |       | Low      | 0     | Pin driver is low  |
|    |    |       | High     | 1     | Pin driver is high |
| H  | RW | PIN7  |          |       | Pin 7              |
|    |    |       | Low      | 0     | Pin driver is low  |
|    |    |       | High     | 1     | Pin driver is high |
| I  | RW | PIN8  |          |       | Pin 8              |
|    |    |       | Low      | 0     | Pin driver is low  |
|    |    |       | High     | 1     | Pin driver is high |
| J  | RW | PIN9  |          |       | Pin 9              |
|    |    |       | Low      | 0     | Pin driver is low  |
|    |    |       | High     | 1     | Pin driver is high |
| K  | RW | PIN10 |          |       | Pin 10             |
|    |    |       | Low      | 0     | Pin driver is low  |
|    |    |       | High     | 1     | Pin driver is high |
| L  | RW | PIN11 |          |       | Pin 11             |
|    |    |       | Low      | 0     | Pin driver is low  |
|    |    |       | High     | 1     | Pin driver is high |
| M  | RW | PIN12 |          |       | Pin 12             |
|    |    |       | Low      | 0     | Pin driver is low  |
|    |    |       | High     | 1     | Pin driver is high |
| N  | RW | PIN13 |          |       | Pin 13             |
|    |    |       | Low      | 0     | Pin driver is low  |
|    |    |       | High     | 1     | Pin driver is high |
| O  | RW | PIN14 |          |       | Pin 14             |
|    |    |       | Low      | 0     | Pin driver is low  |
|    |    |       | High     | 1     | Pin driver is high |
| P  | RW | PIN15 |          |       | Pin 15             |
|    |    |       | Low      | 0     | Pin driver is low  |
|    |    |       | High     | 1     | Pin driver is high |
| Q  | RW | PIN16 |          |       | Pin 16             |
|    |    |       | Low      | 0     | Pin driver is low  |
|    |    |       | High     | 1     | Pin driver is high |
| R  | RW | PIN17 |          |       | Pin 17             |
|    |    |       | Low      | 0     | Pin driver is low  |
|    |    |       | High     | 1     | Pin driver is high |
| S  | RW | PIN18 |          |       | Pin 18             |
|    |    |       | Low      | 0     | Pin driver is low  |
|    |    |       | High     | 1     | Pin driver is high |
| T  | RW | PIN19 |          |       | Pin 19             |
|    |    |       | Low      | 0     | Pin driver is low  |

| Bit number       |    |       |          |       |                    |  |  |  |  |  |  |  |  |  |  |  |  |  |  |  |  |  |  |  |  |  |  |  |  |  |  |
|------------------|----|-------|----------|-------|--------------------|--|--|--|--|--|--|--|--|--|--|--|--|--|--|--|--|--|--|--|--|--|--|--|--|--|--|
| Id               |    |       |          |       |                    |  |  |  |  |  |  |  |  |  |  |  |  |  |  |  |  |  |  |  |  |  |  |  |  |  |  |
| Reset 0x00000000 |    |       |          |       |                    |  |  |  |  |  |  |  |  |  |  |  |  |  |  |  |  |  |  |  |  |  |  |  |  |  |  |
| Id               | RW | Field | Value Id | Value | Description        |  |  |  |  |  |  |  |  |  |  |  |  |  |  |  |  |  |  |  |  |  |  |  |  |  |  |
|                  |    |       | High     | 1     | Pin driver is high |  |  |  |  |  |  |  |  |  |  |  |  |  |  |  |  |  |  |  |  |  |  |  |  |  |  |
| U                | RW | PIN20 | Low      | 0     | Pin driver is low  |  |  |  |  |  |  |  |  |  |  |  |  |  |  |  |  |  |  |  |  |  |  |  |  |  |  |
|                  |    |       | High     | 1     | Pin driver is high |  |  |  |  |  |  |  |  |  |  |  |  |  |  |  |  |  |  |  |  |  |  |  |  |  |  |
| V                | RW | PIN21 | Low      | 0     | Pin driver is low  |  |  |  |  |  |  |  |  |  |  |  |  |  |  |  |  |  |  |  |  |  |  |  |  |  |  |
|                  |    |       | High     | 1     | Pin driver is high |  |  |  |  |  |  |  |  |  |  |  |  |  |  |  |  |  |  |  |  |  |  |  |  |  |  |
| W                | RW | PIN22 | Low      | 0     | Pin driver is low  |  |  |  |  |  |  |  |  |  |  |  |  |  |  |  |  |  |  |  |  |  |  |  |  |  |  |
|                  |    |       | High     | 1     | Pin driver is high |  |  |  |  |  |  |  |  |  |  |  |  |  |  |  |  |  |  |  |  |  |  |  |  |  |  |
| X                | RW | PIN23 | Low      | 0     | Pin driver is low  |  |  |  |  |  |  |  |  |  |  |  |  |  |  |  |  |  |  |  |  |  |  |  |  |  |  |
|                  |    |       | High     | 1     | Pin driver is high |  |  |  |  |  |  |  |  |  |  |  |  |  |  |  |  |  |  |  |  |  |  |  |  |  |  |
| Y                | RW | PIN24 | Low      | 0     | Pin driver is low  |  |  |  |  |  |  |  |  |  |  |  |  |  |  |  |  |  |  |  |  |  |  |  |  |  |  |
|                  |    |       | High     | 1     | Pin driver is high |  |  |  |  |  |  |  |  |  |  |  |  |  |  |  |  |  |  |  |  |  |  |  |  |  |  |
| Z                | RW | PIN25 | Low      | 0     | Pin driver is low  |  |  |  |  |  |  |  |  |  |  |  |  |  |  |  |  |  |  |  |  |  |  |  |  |  |  |
|                  |    |       | High     | 1     | Pin driver is high |  |  |  |  |  |  |  |  |  |  |  |  |  |  |  |  |  |  |  |  |  |  |  |  |  |  |
| a                | RW | PIN26 | Low      | 0     | Pin driver is low  |  |  |  |  |  |  |  |  |  |  |  |  |  |  |  |  |  |  |  |  |  |  |  |  |  |  |
|                  |    |       | High     | 1     | Pin driver is high |  |  |  |  |  |  |  |  |  |  |  |  |  |  |  |  |  |  |  |  |  |  |  |  |  |  |
| b                | RW | PIN27 | Low      | 0     | Pin driver is low  |  |  |  |  |  |  |  |  |  |  |  |  |  |  |  |  |  |  |  |  |  |  |  |  |  |  |
|                  |    |       | High     | 1     | Pin driver is high |  |  |  |  |  |  |  |  |  |  |  |  |  |  |  |  |  |  |  |  |  |  |  |  |  |  |
| c                | RW | PIN28 | Low      | 0     | Pin driver is low  |  |  |  |  |  |  |  |  |  |  |  |  |  |  |  |  |  |  |  |  |  |  |  |  |  |  |
|                  |    |       | High     | 1     | Pin driver is high |  |  |  |  |  |  |  |  |  |  |  |  |  |  |  |  |  |  |  |  |  |  |  |  |  |  |
| d                | RW | PIN29 | Low      | 0     | Pin driver is low  |  |  |  |  |  |  |  |  |  |  |  |  |  |  |  |  |  |  |  |  |  |  |  |  |  |  |
|                  |    |       | High     | 1     | Pin driver is high |  |  |  |  |  |  |  |  |  |  |  |  |  |  |  |  |  |  |  |  |  |  |  |  |  |  |
| e                | RW | PIN30 | Low      | 0     | Pin driver is low  |  |  |  |  |  |  |  |  |  |  |  |  |  |  |  |  |  |  |  |  |  |  |  |  |  |  |
|                  |    |       | High     | 1     | Pin driver is high |  |  |  |  |  |  |  |  |  |  |  |  |  |  |  |  |  |  |  |  |  |  |  |  |  |  |
| f                | RW | PIN31 | Low      | 0     | Pin driver is low  |  |  |  |  |  |  |  |  |  |  |  |  |  |  |  |  |  |  |  |  |  |  |  |  |  |  |
|                  |    |       | High     | 1     | Pin driver is high |  |  |  |  |  |  |  |  |  |  |  |  |  |  |  |  |  |  |  |  |  |  |  |  |  |  |

### 20.3.2 OUTSET

Address offset: 0x508

Set individual bits in GPIO port

Read: reads value of OUT register.

| Bit number       |    |       |          |       |   |  |  |  |  |  |  |  |  |  |  |  |  |  |  |  |  |  |  |  |  |  |  |  |  |  |  |
|------------------|----|-------|----------|-------|---|--|--|--|--|--|--|--|--|--|--|--|--|--|--|--|--|--|--|--|--|--|--|--|--|--|--|
| Id               |    |       |          |       |   |  |  |  |  |  |  |  |  |  |  |  |  |  |  |  |  |  |  |  |  |  |  |  |  |  |  |
| Reset 0x00000000 |    |       |          |       |   |  |  |  |  |  |  |  |  |  |  |  |  |  |  |  |  |  |  |  |  |  |  |  |  |  |  |
| Id               | RW | Field | Value Id | Value | Description   |  |  |  |  |  |  |  |  |  |  |  |  |  |  |  |  |  |  |  |  |  |  |  |  |  |  |
| A                | RW | PIN0  | Low      | 0     | Read: pin driver is low   |  |  |  |  |  |  |  |  |  |  |  |  |  |  |  |  |  |  |  |  |  |  |  |  |  |  |
|                  |    |       | High     | 1     | Read: pin driver is high  |  |  |  |  |  |  |  |  |  |  |  |  |  |  |  |  |  |  |  |  |  |  |  |  |  |  |
|                  |    |       | Set      | 1     | Write: writing a '1' sets the pin high; writing a '0' has no effect |  |  |  |  |  |  |  |  |  |  |  |  |  |  |  |  |  |  |  |  |  |  |  |  |  |  |
| B                | RW | PIN1  | Low      | 0     | Read: pin driver is low   |  |  |  |  |  |  |  |  |  |  |  |  |  |  |  |  |  |  |  |  |  |  |  |  |  |  |

| Bit number       | 31 30 29 28 27 26 25 24 23 22 21 20 19 18 17 16 15 14 13 12 11 10 9 8 7 6 5 4 3 2 1 0 |       |          |       |   |  |  |  |  |  |  |  |  |  |  |  |  |  |  |  |
|------------------|---|-------|----------|-------|---|--|--|--|--|--|--|--|--|--|--|--|--|--|--|--|
| Id               | f e d c b a Z Y X W V U T S R Q P O N M L K J I H G F E D C B A                       |       |          |       |   |  |  |  |  |  |  |  |  |  |  |  |  |  |  |  |
| Reset 0x00000000 | 0                           |       |          |       |   |  |  |  |  |  |  |  |  |  |  |  |  |  |  |  |
| Id               | RW  | Field | Value Id | Value | Description   |  |  |  |  |  |  |  |  |  |  |  |  |  |  |  |
| C                | RW  | PIN2  | High     | 1     | Read: pin driver is high  |  |  |  |  |  |  |  |  |  |  |  |  |  |  |  |
|                  |   |       | Set      | 1     | Write: writing a '1' sets the pin high; writing a '0' has no effect |  |  |  |  |  |  |  |  |  |  |  |  |  |  |  |
|                  |   |       | Low      | 0     | Read: pin driver is low   |  |  |  |  |  |  |  |  |  |  |  |  |  |  |  |
| D                | RW  | PIN3  | High     | 1     | Read: pin driver is high  |  |  |  |  |  |  |  |  |  |  |  |  |  |  |  |
|                  |   |       | Set      | 1     | Write: writing a '1' sets the pin high; writing a '0' has no effect |  |  |  |  |  |  |  |  |  |  |  |  |  |  |  |
|                  |   |       | Low      | 0     | Read: pin driver is low   |  |  |  |  |  |  |  |  |  |  |  |  |  |  |  |
| E                | RW  | PIN4  | High     | 1     | Read: pin driver is high  |  |  |  |  |  |  |  |  |  |  |  |  |  |  |  |
|                  |   |       | Set      | 1     | Write: writing a '1' sets the pin high; writing a '0' has no effect |  |  |  |  |  |  |  |  |  |  |  |  |  |  |  |
|                  |   |       | Low      | 0     | Read: pin driver is low   |  |  |  |  |  |  |  |  |  |  |  |  |  |  |  |
| F                | RW  | PIN5  | High     | 1     | Read: pin driver is high  |  |  |  |  |  |  |  |  |  |  |  |  |  |  |  |
|                  |   |       | Set      | 1     | Write: writing a '1' sets the pin high; writing a '0' has no effect |  |  |  |  |  |  |  |  |  |  |  |  |  |  |  |
|                  |   |       | Low      | 0     | Read: pin driver is low   |  |  |  |  |  |  |  |  |  |  |  |  |  |  |  |
| G                | RW  | PIN6  | High     | 1     | Read: pin driver is high  |  |  |  |  |  |  |  |  |  |  |  |  |  |  |  |
|                  |   |       | Set      | 1     | Write: writing a '1' sets the pin high; writing a '0' has no effect |  |  |  |  |  |  |  |  |  |  |  |  |  |  |  |
|                  |   |       | Low      | 0     | Read: pin driver is low   |  |  |  |  |  |  |  |  |  |  |  |  |  |  |  |
| H                | RW  | PIN7  | High     | 1     | Read: pin driver is high  |  |  |  |  |  |  |  |  |  |  |  |  |  |  |  |
|                  |   |       | Set      | 1     | Write: writing a '1' sets the pin high; writing a '0' has no effect |  |  |  |  |  |  |  |  |  |  |  |  |  |  |  |
|                  |   |       | Low      | 0     | Read: pin driver is low   |  |  |  |  |  |  |  |  |  |  |  |  |  |  |  |
| I                | RW  | PIN8  | High     | 1     | Read: pin driver is high  |  |  |  |  |  |  |  |  |  |  |  |  |  |  |  |
|                  |   |       | Set      | 1     | Write: writing a '1' sets the pin high; writing a '0' has no effect |  |  |  |  |  |  |  |  |  |  |  |  |  |  |  |
|                  |   |       | Low      | 0     | Read: pin driver is low   |  |  |  |  |  |  |  |  |  |  |  |  |  |  |  |
| J                | RW  | PIN9  | High     | 1     | Read: pin driver is high  |  |  |  |  |  |  |  |  |  |  |  |  |  |  |  |
|                  |   |       | Set      | 1     | Write: writing a '1' sets the pin high; writing a '0' has no effect |  |  |  |  |  |  |  |  |  |  |  |  |  |  |  |
|                  |   |       | Low      | 0     | Read: pin driver is low   |  |  |  |  |  |  |  |  |  |  |  |  |  |  |  |
| K                | RW  | PIN10 | High     | 1     | Read: pin driver is high  |  |  |  |  |  |  |  |  |  |  |  |  |  |  |  |
|                  |   |       | Set      | 1     | Write: writing a '1' sets the pin high; writing a '0' has no effect |  |  |  |  |  |  |  |  |  |  |  |  |  |  |  |
|                  |   |       | Low      | 0     | Read: pin driver is low   |  |  |  |  |  |  |  |  |  |  |  |  |  |  |  |
| L                | RW  | PIN11 | High     | 1     | Read: pin driver is high  |  |  |  |  |  |  |  |  |  |  |  |  |  |  |  |
|                  |   |       | Set      | 1     | Write: writing a '1' sets the pin high; writing a '0' has no effect |  |  |  |  |  |  |  |  |  |  |  |  |  |  |  |
|                  |   |       | Low      | 0     | Read: pin driver is low   |  |  |  |  |  |  |  |  |  |  |  |  |  |  |  |
| M                | RW  | PIN12 | High     | 1     | Read: pin driver is high  |  |  |  |  |  |  |  |  |  |  |  |  |  |  |  |
|                  |   |       | Set      | 1     | Write: writing a '1' sets the pin high; writing a '0' has no effect |  |  |  |  |  |  |  |  |  |  |  |  |  |  |  |
|                  |   |       | Low      | 0     | Read: pin driver is low   |  |  |  |  |  |  |  |  |  |  |  |  |  |  |  |
| N                | RW  | PIN13 | High     | 1     | Read: pin driver is high  |  |  |  |  |  |  |  |  |  |  |  |  |  |  |  |
|                  |   |       | Set      | 1     | Write: writing a '1' sets the pin high; writing a '0' has no effect |  |  |  |  |  |  |  |  |  |  |  |  |  |  |  |
|                  |   |       | Low      | 0     | Read: pin driver is low   |  |  |  |  |  |  |  |  |  |  |  |  |  |  |  |
| O                | RW  | PIN14 | High     | 1     | Read: pin driver is high  |  |  |  |  |  |  |  |  |  |  |  |  |  |  |  |
|                  |   |       | Set      | 1     | Write: writing a '1' sets the pin high; writing a '0' has no effect |  |  |  |  |  |  |  |  |  |  |  |  |  |  |  |
|                  |   |       | Low      | 0     | Read: pin driver is low   |  |  |  |  |  |  |  |  |  |  |  |  |  |  |  |
| P                | RW  | PIN15 |          |       | Pin 15  |  |  |  |  |  |  |  |  |  |  |  |  |  |  |  |

|                  |    |    |    |    |    |    |    |    |    |    |    |    |    |    |    |    |    |    |    |    |    |    |   |   |   |   |   |   |   |   |   |   |
|------------------|----|----|----|----|----|----|----|----|----|----|----|----|----|----|----|----|----|----|----|----|----|----|---|---|---|---|---|---|---|---|---|---|
| Bit number       | 31 | 30 | 29 | 28 | 27 | 26 | 25 | 24 | 23 | 22 | 21 | 20 | 19 | 18 | 17 | 16 | 15 | 14 | 13 | 12 | 11 | 10 | 9 | 8 | 7 | 6 | 5 | 4 | 3 | 2 | 1 | 0 |
| Id               | f  | e  | d  | c  | b  | a  | Z  | Y  | X  | W  | V  | U  | T  | S  | R  | Q  | P  | O  | N  | M  | L  | K  | J | I | H | G | F | E | D | C | B | A |
| Reset 0x00000000 | 0  | 0  | 0  | 0  | 0  | 0  | 0  | 0  | 0  | 0  | 0  | 0  | 0  | 0  | 0  | 0  | 0  | 0  | 0  | 0  | 0  | 0  | 0 | 0 | 0 | 0 | 0 | 0 | 0 | 0 | 0 | 0 |

| Id | RW | Field | Value Id | Value | Description   |
|----|----|-------|----------|-------|---|
|    |    |       | Low      | 0     | Read: pin driver is low   |
|    |    |       | High     | 1     | Read: pin driver is high  |
|    |    |       | Set      | 1     | Write: writing a '1' sets the pin high; writing a '0' has no effect |
| Q  | RW | PIN16 |          |       | Pin 16  |
|    |    |       | Low      | 0     | Read: pin driver is low   |
|    |    |       | High     | 1     | Read: pin driver is high  |
|    |    |       | Set      | 1     | Write: writing a '1' sets the pin high; writing a '0' has no effect |
| R  | RW | PIN17 |          |       | Pin 17  |
|    |    |       | Low      | 0     | Read: pin driver is low   |
|    |    |       | High     | 1     | Read: pin driver is high  |
|    |    |       | Set      | 1     | Write: writing a '1' sets the pin high; writing a '0' has no effect |
| S  | RW | PIN18 |          |       | Pin 18  |
|    |    |       | Low      | 0     | Read: pin driver is low   |
|    |    |       | High     | 1     | Read: pin driver is high  |
|    |    |       | Set      | 1     | Write: writing a '1' sets the pin high; writing a '0' has no effect |
| T  | RW | PIN19 |          |       | Pin 19  |
|    |    |       | Low      | 0     | Read: pin driver is low   |
|    |    |       | High     | 1     | Read: pin driver is high  |
|    |    |       | Set      | 1     | Write: writing a '1' sets the pin high; writing a '0' has no effect |
| U  | RW | PIN20 |          |       | Pin 20  |
|    |    |       | Low      | 0     | Read: pin driver is low   |
|    |    |       | High     | 1     | Read: pin driver is high  |
|    |    |       | Set      | 1     | Write: writing a '1' sets the pin high; writing a '0' has no effect |
| V  | RW | PIN21 |          |       | Pin 21  |
|    |    |       | Low      | 0     | Read: pin driver is low   |
|    |    |       | High     | 1     | Read: pin driver is high  |
|    |    |       | Set      | 1     | Write: writing a '1' sets the pin high; writing a '0' has no effect |
| W  | RW | PIN22 |          |       | Pin 22  |
|    |    |       | Low      | 0     | Read: pin driver is low   |
|    |    |       | High     | 1     | Read: pin driver is high  |
|    |    |       | Set      | 1     | Write: writing a '1' sets the pin high; writing a '0' has no effect |
| X  | RW | PIN23 |          |       | Pin 23  |
|    |    |       | Low      | 0     | Read: pin driver is low   |
|    |    |       | High     | 1     | Read: pin driver is high  |
|    |    |       | Set      | 1     | Write: writing a '1' sets the pin high; writing a '0' has no effect |
| Y  | RW | PIN24 |          |       | Pin 24  |
|    |    |       | Low      | 0     | Read: pin driver is low   |
|    |    |       | High     | 1     | Read: pin driver is high  |
|    |    |       | Set      | 1     | Write: writing a '1' sets the pin high; writing a '0' has no effect |
| Z  | RW | PIN25 |          |       | Pin 25  |
|    |    |       | Low      | 0     | Read: pin driver is low   |
|    |    |       | High     | 1     | Read: pin driver is high  |
|    |    |       | Set      | 1     | Write: writing a '1' sets the pin high; writing a '0' has no effect |
| a  | RW | PIN26 |          |       | Pin 26  |
|    |    |       | Low      | 0     | Read: pin driver is low   |
|    |    |       | High     | 1     | Read: pin driver is high  |
|    |    |       | Set      | 1     | Write: writing a '1' sets the pin high; writing a '0' has no effect |
| b  | RW | PIN27 |          |       | Pin 27  |
|    |    |       | Low      | 0     | Read: pin driver is low   |
|    |    |       | High     | 1     | Read: pin driver is high  |
|    |    |       | Set      | 1     | Write: writing a '1' sets the pin high; writing a '0' has no effect |
| c  | RW | PIN28 |          |       | Pin 28  |
|    |    |       | Low      | 0     | Read: pin driver is low   |
|    |    |       | High     | 1     | Read: pin driver is high  |
|    |    |       | Set      | 1     | Write: writing a '1' sets the pin high; writing a '0' has no effect |

| Bit number       | 31 30 29 28 27 26 25 24 23 22 21 20 19 18 17 16 15 14 13 12 11 10 9 8 7 6 5 4 3 2 1 0 |       |       |    |   |             |  |  |  |  |  |  |  |  |  |  |  |  |  |  |  |  |  |  |  |  |  |  |  |  |  |
|------------------|---|-------|-------|----|---|-------------|--|--|--|--|--|--|--|--|--|--|--|--|--|--|--|--|--|--|--|--|--|--|--|--|--|
| Id               | f e d c b a Z Y X W V U T S R Q P O N M L K J I H G F E D C B A                       |       |       |    |   |             |  |  |  |  |  |  |  |  |  |  |  |  |  |  |  |  |  |  |  |  |  |  |  |  |  |
| Reset 0x00000000 | 0             |       |       |    |   |             |  |  |  |  |  |  |  |  |  |  |  |  |  |  |  |  |  |  |  |  |  |  |  |  |  |
| Id               | RW  | Field | Value | Id | Value   | Description |  |  |  |  |  |  |  |  |  |  |  |  |  |  |  |  |  |  |  |  |  |  |  |  |  |
| d                | RW  | PIN29 |       |    |   | Pin 29      |  |  |  |  |  |  |  |  |  |  |  |  |  |  |  |  |  |  |  |  |  |  |  |  |  |
|                  |   |       | Low   | 0  | Read: pin driver is low   |             |  |  |  |  |  |  |  |  |  |  |  |  |  |  |  |  |  |  |  |  |  |  |  |  |  |
|                  |   |       | High  | 1  | Read: pin driver is high  |             |  |  |  |  |  |  |  |  |  |  |  |  |  |  |  |  |  |  |  |  |  |  |  |  |  |
|                  |   |       | Set   | 1  | Write: writing a '1' sets the pin high; writing a '0' has no effect |             |  |  |  |  |  |  |  |  |  |  |  |  |  |  |  |  |  |  |  |  |  |  |  |  |  |
| e                | RW  | PIN30 |       |    |   | Pin 30      |  |  |  |  |  |  |  |  |  |  |  |  |  |  |  |  |  |  |  |  |  |  |  |  |  |
|                  |   |       | Low   | 0  | Read: pin driver is low   |             |  |  |  |  |  |  |  |  |  |  |  |  |  |  |  |  |  |  |  |  |  |  |  |  |  |
|                  |   |       | High  | 1  | Read: pin driver is high  |             |  |  |  |  |  |  |  |  |  |  |  |  |  |  |  |  |  |  |  |  |  |  |  |  |  |
|                  |   |       | Set   | 1  | Write: writing a '1' sets the pin high; writing a '0' has no effect |             |  |  |  |  |  |  |  |  |  |  |  |  |  |  |  |  |  |  |  |  |  |  |  |  |  |
| f                | RW  | PIN31 |       |    |   | Pin 31      |  |  |  |  |  |  |  |  |  |  |  |  |  |  |  |  |  |  |  |  |  |  |  |  |  |
|                  |   |       | Low   | 0  | Read: pin driver is low   |             |  |  |  |  |  |  |  |  |  |  |  |  |  |  |  |  |  |  |  |  |  |  |  |  |  |
|                  |   |       | High  | 1  | Read: pin driver is high  |             |  |  |  |  |  |  |  |  |  |  |  |  |  |  |  |  |  |  |  |  |  |  |  |  |  |
|                  |   |       | Set   | 1  | Write: writing a '1' sets the pin high; writing a '0' has no effect |             |  |  |  |  |  |  |  |  |  |  |  |  |  |  |  |  |  |  |  |  |  |  |  |  |  |

### 20.3.3 OUTCLR

Address offset: 0x50C

Clear individual bits in GPIO port

Read: reads value of OUT register.

| Bit number       | 31 30 29 28 27 26 25 24 23 22 21 20 19 18 17 16 15 14 13 12 11 10 9 8 7 6 5 4 3 2 1 0 |       |       |    |  |             |  |  |  |  |  |  |  |  |  |  |  |  |  |  |  |  |  |  |  |  |  |  |  |  |  |
|------------------|---|-------|-------|----|--|-------------|--|--|--|--|--|--|--|--|--|--|--|--|--|--|--|--|--|--|--|--|--|--|--|--|--|
| Id               | f e d c b a Z Y X W V U T S R Q P O N M L K J I H G F E D C B A                       |       |       |    |  |             |  |  |  |  |  |  |  |  |  |  |  |  |  |  |  |  |  |  |  |  |  |  |  |  |  |
| Reset 0x00000000 | 0             |       |       |    |  |             |  |  |  |  |  |  |  |  |  |  |  |  |  |  |  |  |  |  |  |  |  |  |  |  |  |
| Id               | RW  | Field | Value | Id | Value  | Description |  |  |  |  |  |  |  |  |  |  |  |  |  |  |  |  |  |  |  |  |  |  |  |  |  |
| A                | RW  | PIN0  |       |    |  | Pin 0       |  |  |  |  |  |  |  |  |  |  |  |  |  |  |  |  |  |  |  |  |  |  |  |  |  |
|                  |   |       | Low   | 0  | Read: pin driver is low  |             |  |  |  |  |  |  |  |  |  |  |  |  |  |  |  |  |  |  |  |  |  |  |  |  |  |
|                  |   |       | High  | 1  | Read: pin driver is high   |             |  |  |  |  |  |  |  |  |  |  |  |  |  |  |  |  |  |  |  |  |  |  |  |  |  |
|                  |   |       | Clear | 1  | Write: writing a '1' sets the pin low; writing a '0' has no effect |             |  |  |  |  |  |  |  |  |  |  |  |  |  |  |  |  |  |  |  |  |  |  |  |  |  |
| B                | RW  | PIN1  |       |    |  | Pin 1       |  |  |  |  |  |  |  |  |  |  |  |  |  |  |  |  |  |  |  |  |  |  |  |  |  |
|                  |   |       | Low   | 0  | Read: pin driver is low  |             |  |  |  |  |  |  |  |  |  |  |  |  |  |  |  |  |  |  |  |  |  |  |  |  |  |
|                  |   |       | High  | 1  | Read: pin driver is high   |             |  |  |  |  |  |  |  |  |  |  |  |  |  |  |  |  |  |  |  |  |  |  |  |  |  |
|                  |   |       | Clear | 1  | Write: writing a '1' sets the pin low; writing a '0' has no effect |             |  |  |  |  |  |  |  |  |  |  |  |  |  |  |  |  |  |  |  |  |  |  |  |  |  |
| C                | RW  | PIN2  |       |    |  | Pin 2       |  |  |  |  |  |  |  |  |  |  |  |  |  |  |  |  |  |  |  |  |  |  |  |  |  |
|                  |   |       | Low   | 0  | Read: pin driver is low  |             |  |  |  |  |  |  |  |  |  |  |  |  |  |  |  |  |  |  |  |  |  |  |  |  |  |
|                  |   |       | High  | 1  | Read: pin driver is high   |             |  |  |  |  |  |  |  |  |  |  |  |  |  |  |  |  |  |  |  |  |  |  |  |  |  |
|                  |   |       | Clear | 1  | Write: writing a '1' sets the pin low; writing a '0' has no effect |             |  |  |  |  |  |  |  |  |  |  |  |  |  |  |  |  |  |  |  |  |  |  |  |  |  |
| D                | RW  | PIN3  |       |    |  | Pin 3       |  |  |  |  |  |  |  |  |  |  |  |  |  |  |  |  |  |  |  |  |  |  |  |  |  |
|                  |   |       | Low   | 0  | Read: pin driver is low  |             |  |  |  |  |  |  |  |  |  |  |  |  |  |  |  |  |  |  |  |  |  |  |  |  |  |
|                  |   |       | High  | 1  | Read: pin driver is high   |             |  |  |  |  |  |  |  |  |  |  |  |  |  |  |  |  |  |  |  |  |  |  |  |  |  |
|                  |   |       | Clear | 1  | Write: writing a '1' sets the pin low; writing a '0' has no effect |             |  |  |  |  |  |  |  |  |  |  |  |  |  |  |  |  |  |  |  |  |  |  |  |  |  |
| E                | RW  | PIN4  |       |    |  | Pin 4       |  |  |  |  |  |  |  |  |  |  |  |  |  |  |  |  |  |  |  |  |  |  |  |  |  |
|                  |   |       | Low   | 0  | Read: pin driver is low  |             |  |  |  |  |  |  |  |  |  |  |  |  |  |  |  |  |  |  |  |  |  |  |  |  |  |
|                  |   |       | High  | 1  | Read: pin driver is high   |             |  |  |  |  |  |  |  |  |  |  |  |  |  |  |  |  |  |  |  |  |  |  |  |  |  |
|                  |   |       | Clear | 1  | Write: writing a '1' sets the pin low; writing a '0' has no effect |             |  |  |  |  |  |  |  |  |  |  |  |  |  |  |  |  |  |  |  |  |  |  |  |  |  |
| F                | RW  | PIN5  |       |    |  | Pin 5       |  |  |  |  |  |  |  |  |  |  |  |  |  |  |  |  |  |  |  |  |  |  |  |  |  |
|                  |   |       | Low   | 0  | Read: pin driver is low  |             |  |  |  |  |  |  |  |  |  |  |  |  |  |  |  |  |  |  |  |  |  |  |  |  |  |
|                  |   |       | High  | 1  | Read: pin driver is high   |             |  |  |  |  |  |  |  |  |  |  |  |  |  |  |  |  |  |  |  |  |  |  |  |  |  |
|                  |   |       | Clear | 1  | Write: writing a '1' sets the pin low; writing a '0' has no effect |             |  |  |  |  |  |  |  |  |  |  |  |  |  |  |  |  |  |  |  |  |  |  |  |  |  |
| G                | RW  | PIN6  |       |    |  | Pin 6       |  |  |  |  |  |  |  |  |  |  |  |  |  |  |  |  |  |  |  |  |  |  |  |  |  |
|                  |   |       | Low   | 0  | Read: pin driver is low  |             |  |  |  |  |  |  |  |  |  |  |  |  |  |  |  |  |  |  |  |  |  |  |  |  |  |
|                  |   |       | High  | 1  | Read: pin driver is high   |             |  |  |  |  |  |  |  |  |  |  |  |  |  |  |  |  |  |  |  |  |  |  |  |  |  |
|                  |   |       | Clear | 1  | Write: writing a '1' sets the pin low; writing a '0' has no effect |             |  |  |  |  |  |  |  |  |  |  |  |  |  |  |  |  |  |  |  |  |  |  |  |  |  |
| H                | RW  | PIN7  |       |    |  | Pin 7       |  |  |  |  |  |  |  |  |  |  |  |  |  |  |  |  |  |  |  |  |  |  |  |  |  |
|                  |   |       | Low   | 0  | Read: pin driver is low  |             |  |  |  |  |  |  |  |  |  |  |  |  |  |  |  |  |  |  |  |  |  |  |  |  |  |
|                  |   |       | High  | 1  | Read: pin driver is high   |             |  |  |  |  |  |  |  |  |  |  |  |  |  |  |  |  |  |  |  |  |  |  |  |  |  |

| Bit number       | 31 30 29 28 27 26 25 24 23 22 21 20 19 18 17 16 15 14 13 12 11 10 9 8 7 6 5 4 3 2 1 0 |       |          |       |  |  |  |  |  |  |  |  |  |  |  |  |  |  |  |  |
|------------------|---|-------|----------|-------|--|--|--|--|--|--|--|--|--|--|--|--|--|--|--|--|
| Id               | f e d c b a Z Y X W V U T S R Q P O N M L K J I H G F E D C B A                       |       |          |       |  |  |  |  |  |  |  |  |  |  |  |  |  |  |  |  |
| Reset 0x00000000 | 0                         |       |          |       |  |  |  |  |  |  |  |  |  |  |  |  |  |  |  |  |
| Id               | RW  | Field | Value Id | Value | Description  |  |  |  |  |  |  |  |  |  |  |  |  |  |  |  |
| I                | RW  | PIN8  | Clear    | 1     | Write: writing a '1' sets the pin low; writing a '0' has no effect |  |  |  |  |  |  |  |  |  |  |  |  |  |  |  |
|                  |   |       | Low      | 0     | Read: pin driver is low  |  |  |  |  |  |  |  |  |  |  |  |  |  |  |  |
|                  |   |       | High     | 1     | Read: pin driver is high   |  |  |  |  |  |  |  |  |  |  |  |  |  |  |  |
|                  |   |       | Clear    | 1     | Write: writing a '1' sets the pin low; writing a '0' has no effect |  |  |  |  |  |  |  |  |  |  |  |  |  |  |  |
| J                | RW  | PIN9  | Low      | 0     | Read: pin driver is low  |  |  |  |  |  |  |  |  |  |  |  |  |  |  |  |
|                  |   |       | High     | 1     | Read: pin driver is high   |  |  |  |  |  |  |  |  |  |  |  |  |  |  |  |
|                  |   |       | Clear    | 1     | Write: writing a '1' sets the pin low; writing a '0' has no effect |  |  |  |  |  |  |  |  |  |  |  |  |  |  |  |
|                  |   |       | Low      | 0     | Read: pin driver is low  |  |  |  |  |  |  |  |  |  |  |  |  |  |  |  |
| K                | RW  | PIN10 | High     | 1     | Read: pin driver is high   |  |  |  |  |  |  |  |  |  |  |  |  |  |  |  |
|                  |   |       | Clear    | 1     | Write: writing a '1' sets the pin low; writing a '0' has no effect |  |  |  |  |  |  |  |  |  |  |  |  |  |  |  |
|                  |   |       | Low      | 0     | Read: pin driver is low  |  |  |  |  |  |  |  |  |  |  |  |  |  |  |  |
|                  |   |       | High     | 1     | Read: pin driver is high   |  |  |  |  |  |  |  |  |  |  |  |  |  |  |  |
| L                | RW  | PIN11 | Clear    | 1     | Write: writing a '1' sets the pin low; writing a '0' has no effect |  |  |  |  |  |  |  |  |  |  |  |  |  |  |  |
|                  |   |       | Low      | 0     | Read: pin driver is low  |  |  |  |  |  |  |  |  |  |  |  |  |  |  |  |
|                  |   |       | High     | 1     | Read: pin driver is high   |  |  |  |  |  |  |  |  |  |  |  |  |  |  |  |
|                  |   |       | Clear    | 1     | Write: writing a '1' sets the pin low; writing a '0' has no effect |  |  |  |  |  |  |  |  |  |  |  |  |  |  |  |
| M                | RW  | PIN12 | Low      | 0     | Read: pin driver is low  |  |  |  |  |  |  |  |  |  |  |  |  |  |  |  |
|                  |   |       | High     | 1     | Read: pin driver is high   |  |  |  |  |  |  |  |  |  |  |  |  |  |  |  |
|                  |   |       | Clear    | 1     | Write: writing a '1' sets the pin low; writing a '0' has no effect |  |  |  |  |  |  |  |  |  |  |  |  |  |  |  |
|                  |   |       | Low      | 0     | Read: pin driver is low  |  |  |  |  |  |  |  |  |  |  |  |  |  |  |  |
| N                | RW  | PIN13 | High     | 1     | Read: pin driver is high   |  |  |  |  |  |  |  |  |  |  |  |  |  |  |  |
|                  |   |       | Clear    | 1     | Write: writing a '1' sets the pin low; writing a '0' has no effect |  |  |  |  |  |  |  |  |  |  |  |  |  |  |  |
|                  |   |       | Low      | 0     | Read: pin driver is low  |  |  |  |  |  |  |  |  |  |  |  |  |  |  |  |
|                  |   |       | High     | 1     | Read: pin driver is high   |  |  |  |  |  |  |  |  |  |  |  |  |  |  |  |
| O                | RW  | PIN14 | Clear    | 1     | Write: writing a '1' sets the pin low; writing a '0' has no effect |  |  |  |  |  |  |  |  |  |  |  |  |  |  |  |
|                  |   |       | Low      | 0     | Read: pin driver is low  |  |  |  |  |  |  |  |  |  |  |  |  |  |  |  |
|                  |   |       | High     | 1     | Read: pin driver is high   |  |  |  |  |  |  |  |  |  |  |  |  |  |  |  |
|                  |   |       | Clear    | 1     | Write: writing a '1' sets the pin low; writing a '0' has no effect |  |  |  |  |  |  |  |  |  |  |  |  |  |  |  |
| P                | RW  | PIN15 | Low      | 0     | Read: pin driver is low  |  |  |  |  |  |  |  |  |  |  |  |  |  |  |  |
|                  |   |       | High     | 1     | Read: pin driver is high   |  |  |  |  |  |  |  |  |  |  |  |  |  |  |  |
|                  |   |       | Clear    | 1     | Write: writing a '1' sets the pin low; writing a '0' has no effect |  |  |  |  |  |  |  |  |  |  |  |  |  |  |  |
|                  |   |       | Low      | 0     | Read: pin driver is low  |  |  |  |  |  |  |  |  |  |  |  |  |  |  |  |
| Q                | RW  | PIN16 | High     | 1     | Read: pin driver is high   |  |  |  |  |  |  |  |  |  |  |  |  |  |  |  |
|                  |   |       | Clear    | 1     | Write: writing a '1' sets the pin low; writing a '0' has no effect |  |  |  |  |  |  |  |  |  |  |  |  |  |  |  |
|                  |   |       | Low      | 0     | Read: pin driver is low  |  |  |  |  |  |  |  |  |  |  |  |  |  |  |  |
|                  |   |       | High     | 1     | Read: pin driver is high   |  |  |  |  |  |  |  |  |  |  |  |  |  |  |  |
| R                | RW  | PIN17 | Clear    | 1     | Write: writing a '1' sets the pin low; writing a '0' has no effect |  |  |  |  |  |  |  |  |  |  |  |  |  |  |  |
|                  |   |       | Low      | 0     | Read: pin driver is low  |  |  |  |  |  |  |  |  |  |  |  |  |  |  |  |
|                  |   |       | High     | 1     | Read: pin driver is high   |  |  |  |  |  |  |  |  |  |  |  |  |  |  |  |
|                  |   |       | Clear    | 1     | Write: writing a '1' sets the pin low; writing a '0' has no effect |  |  |  |  |  |  |  |  |  |  |  |  |  |  |  |
| S                | RW  | PIN18 | Low      | 0     | Read: pin driver is low  |  |  |  |  |  |  |  |  |  |  |  |  |  |  |  |
|                  |   |       | High     | 1     | Read: pin driver is high   |  |  |  |  |  |  |  |  |  |  |  |  |  |  |  |
|                  |   |       | Clear    | 1     | Write: writing a '1' sets the pin low; writing a '0' has no effect |  |  |  |  |  |  |  |  |  |  |  |  |  |  |  |
|                  |   |       | Low      | 0     | Read: pin driver is low  |  |  |  |  |  |  |  |  |  |  |  |  |  |  |  |
| T                | RW  | PIN19 | High     | 1     | Read: pin driver is high   |  |  |  |  |  |  |  |  |  |  |  |  |  |  |  |
|                  |   |       | Clear    | 1     | Write: writing a '1' sets the pin low; writing a '0' has no effect |  |  |  |  |  |  |  |  |  |  |  |  |  |  |  |
|                  |   |       | Low      | 0     | Read: pin driver is low  |  |  |  |  |  |  |  |  |  |  |  |  |  |  |  |
|                  |   |       | High     | 1     | Read: pin driver is high   |  |  |  |  |  |  |  |  |  |  |  |  |  |  |  |
| U                | RW  | PIN20 | Clear    | 1     | Write: writing a '1' sets the pin low; writing a '0' has no effect |  |  |  |  |  |  |  |  |  |  |  |  |  |  |  |
|                  |   |       | Low      | 0     | Read: pin driver is low  |  |  |  |  |  |  |  |  |  |  |  |  |  |  |  |
|                  |   |       | High     | 1     | Read: pin driver is high   |  |  |  |  |  |  |  |  |  |  |  |  |  |  |  |
|                  |   |       | Clear    | 1     | Write: writing a '1' sets the pin low; writing a '0' has no effect |  |  |  |  |  |  |  |  |  |  |  |  |  |  |  |
| V                | RW  | PIN21 | Low      | 0     | Read: pin driver is low  |  |  |  |  |  |  |  |  |  |  |  |  |  |  |  |
|                  |   |       | Low      | 0     | Read: pin driver is low  |  |  |  |  |  |  |  |  |  |  |  |  |  |  |  |



| Bit number       | 31 30 29 28 27 26 25 24 23 22 21 20 19 18 17 16 15 14 13 12 11 10 9 8 7 6 5 4 3 2 1 0 |       |          |       |  |  |  |  |  |  |  |  |  |  |  |  |  |  |  |  |  |  |  |  |  |  |  |  |  |  |  |  |
|------------------|---|-------|----------|-------|--|--|--|--|--|--|--|--|--|--|--|--|--|--|--|--|--|--|--|--|--|--|--|--|--|--|--|--|
| Id               | f e d c b a Z Y X W V U T S R Q P O N M L K J I H G F E D C B A                       |       |          |       |  |  |  |  |  |  |  |  |  |  |  |  |  |  |  |  |  |  |  |  |  |  |  |  |  |  |  |  |
| Reset 0x00000000 | 0           |       |          |       |  |  |  |  |  |  |  |  |  |  |  |  |  |  |  |  |  |  |  |  |  |  |  |  |  |  |  |  |
| Id               | RW  | Field | Value Id | Value | Description  |  |  |  |  |  |  |  |  |  |  |  |  |  |  |  |  |  |  |  |  |  |  |  |  |  |  |  |
|                  |   |       | High     | 1     | Read: pin driver is high   |  |  |  |  |  |  |  |  |  |  |  |  |  |  |  |  |  |  |  |  |  |  |  |  |  |  |  |
|                  |   |       | Clear    | 1     | Write: writing a '1' sets the pin low; writing a '0' has no effect |  |  |  |  |  |  |  |  |  |  |  |  |  |  |  |  |  |  |  |  |  |  |  |  |  |  |  |
|                  |   |       |          |       |  |  |  |  |  |  |  |  |  |  |  |  |  |  |  |  |  |  |  |  |  |  |  |  |  |  |  |  |
| W                | RW  | PIN22 | Low      | 0     | Read: pin driver is low  |  |  |  |  |  |  |  |  |  |  |  |  |  |  |  |  |  |  |  |  |  |  |  |  |  |  |  |
|                  |   |       | High     | 1     | Read: pin driver is high   |  |  |  |  |  |  |  |  |  |  |  |  |  |  |  |  |  |  |  |  |  |  |  |  |  |  |  |
|                  |   |       | Clear    | 1     | Write: writing a '1' sets the pin low; writing a '0' has no effect |  |  |  |  |  |  |  |  |  |  |  |  |  |  |  |  |  |  |  |  |  |  |  |  |  |  |  |
| X                | RW  | PIN23 | Low      | 0     | Read: pin driver is low  |  |  |  |  |  |  |  |  |  |  |  |  |  |  |  |  |  |  |  |  |  |  |  |  |  |  |  |
|                  |   |       | High     | 1     | Read: pin driver is high   |  |  |  |  |  |  |  |  |  |  |  |  |  |  |  |  |  |  |  |  |  |  |  |  |  |  |  |
|                  |   |       | Clear    | 1     | Write: writing a '1' sets the pin low; writing a '0' has no effect |  |  |  |  |  |  |  |  |  |  |  |  |  |  |  |  |  |  |  |  |  |  |  |  |  |  |  |
| Y                | RW  | PIN24 | Low      | 0     | Read: pin driver is low  |  |  |  |  |  |  |  |  |  |  |  |  |  |  |  |  |  |  |  |  |  |  |  |  |  |  |  |
|                  |   |       | High     | 1     | Read: pin driver is high   |  |  |  |  |  |  |  |  |  |  |  |  |  |  |  |  |  |  |  |  |  |  |  |  |  |  |  |
|                  |   |       | Clear    | 1     | Write: writing a '1' sets the pin low; writing a '0' has no effect |  |  |  |  |  |  |  |  |  |  |  |  |  |  |  |  |  |  |  |  |  |  |  |  |  |  |  |
| Z                | RW  | PIN25 | Low      | 0     | Read: pin driver is low  |  |  |  |  |  |  |  |  |  |  |  |  |  |  |  |  |  |  |  |  |  |  |  |  |  |  |  |
|                  |   |       | High     | 1     | Read: pin driver is high   |  |  |  |  |  |  |  |  |  |  |  |  |  |  |  |  |  |  |  |  |  |  |  |  |  |  |  |
|                  |   |       | Clear    | 1     | Write: writing a '1' sets the pin low; writing a '0' has no effect |  |  |  |  |  |  |  |  |  |  |  |  |  |  |  |  |  |  |  |  |  |  |  |  |  |  |  |
| a                | RW  | PIN26 | Low      | 0     | Read: pin driver is low  |  |  |  |  |  |  |  |  |  |  |  |  |  |  |  |  |  |  |  |  |  |  |  |  |  |  |  |
|                  |   |       | High     | 1     | Read: pin driver is high   |  |  |  |  |  |  |  |  |  |  |  |  |  |  |  |  |  |  |  |  |  |  |  |  |  |  |  |
|                  |   |       | Clear    | 1     | Write: writing a '1' sets the pin low; writing a '0' has no effect |  |  |  |  |  |  |  |  |  |  |  |  |  |  |  |  |  |  |  |  |  |  |  |  |  |  |  |
| b                | RW  | PIN27 | Low      | 0     | Read: pin driver is low  |  |  |  |  |  |  |  |  |  |  |  |  |  |  |  |  |  |  |  |  |  |  |  |  |  |  |  |
|                  |   |       | High     | 1     | Read: pin driver is high   |  |  |  |  |  |  |  |  |  |  |  |  |  |  |  |  |  |  |  |  |  |  |  |  |  |  |  |
|                  |   |       | Clear    | 1     | Write: writing a '1' sets the pin low; writing a '0' has no effect |  |  |  |  |  |  |  |  |  |  |  |  |  |  |  |  |  |  |  |  |  |  |  |  |  |  |  |
| c                | RW  | PIN28 | Low      | 0     | Read: pin driver is low  |  |  |  |  |  |  |  |  |  |  |  |  |  |  |  |  |  |  |  |  |  |  |  |  |  |  |  |
|                  |   |       | High     | 1     | Read: pin driver is high   |  |  |  |  |  |  |  |  |  |  |  |  |  |  |  |  |  |  |  |  |  |  |  |  |  |  |  |
|                  |   |       | Clear    | 1     | Write: writing a '1' sets the pin low; writing a '0' has no effect |  |  |  |  |  |  |  |  |  |  |  |  |  |  |  |  |  |  |  |  |  |  |  |  |  |  |  |
| d                | RW  | PIN29 | Low      | 0     | Read: pin driver is low  |  |  |  |  |  |  |  |  |  |  |  |  |  |  |  |  |  |  |  |  |  |  |  |  |  |  |  |
|                  |   |       | High     | 1     | Read: pin driver is high   |  |  |  |  |  |  |  |  |  |  |  |  |  |  |  |  |  |  |  |  |  |  |  |  |  |  |  |
|                  |   |       | Clear    | 1     | Write: writing a '1' sets the pin low; writing a '0' has no effect |  |  |  |  |  |  |  |  |  |  |  |  |  |  |  |  |  |  |  |  |  |  |  |  |  |  |  |
| e                | RW  | PIN30 | Low      | 0     | Read: pin driver is low  |  |  |  |  |  |  |  |  |  |  |  |  |  |  |  |  |  |  |  |  |  |  |  |  |  |  |  |
|                  |   |       | High     | 1     | Read: pin driver is high   |  |  |  |  |  |  |  |  |  |  |  |  |  |  |  |  |  |  |  |  |  |  |  |  |  |  |  |
|                  |   |       | Clear    | 1     | Write: writing a '1' sets the pin low; writing a '0' has no effect |  |  |  |  |  |  |  |  |  |  |  |  |  |  |  |  |  |  |  |  |  |  |  |  |  |  |  |
| f                | RW  | PIN31 | Low      | 0     | Read: pin driver is low  |  |  |  |  |  |  |  |  |  |  |  |  |  |  |  |  |  |  |  |  |  |  |  |  |  |  |  |
|                  |   |       | High     | 1     | Read: pin driver is high   |  |  |  |  |  |  |  |  |  |  |  |  |  |  |  |  |  |  |  |  |  |  |  |  |  |  |  |
|                  |   |       | Clear    | 1     | Write: writing a '1' sets the pin low; writing a '0' has no effect |  |  |  |  |  |  |  |  |  |  |  |  |  |  |  |  |  |  |  |  |  |  |  |  |  |  |  |

### 20.3.4 IN

Address offset: 0x510

Read GPIO port

| Bit number       | 31 30 29 28 27 26 25 24 23 22 21 20 19 18 17 16 15 14 13 12 11 10 9 8 7 6 5 4 3 2 1 0 |       |          |       |                   |  |  |  |  |  |  |  |  |  |  |  |  |  |  |  |  |  |  |  |  |  |  |  |  |  |  |  |
|------------------|---|-------|----------|-------|-------------------|--|--|--|--|--|--|--|--|--|--|--|--|--|--|--|--|--|--|--|--|--|--|--|--|--|--|--|
| Id               | f e d c b a Z Y X W V U T S R Q P O N M L K J I H G F E D C B A                       |       |          |       |                   |  |  |  |  |  |  |  |  |  |  |  |  |  |  |  |  |  |  |  |  |  |  |  |  |  |  |  |
| Reset 0x00000000 | 0           |       |          |       |                   |  |  |  |  |  |  |  |  |  |  |  |  |  |  |  |  |  |  |  |  |  |  |  |  |  |  |  |
| Id               | RW  | Field | Value Id | Value | Description       |  |  |  |  |  |  |  |  |  |  |  |  |  |  |  |  |  |  |  |  |  |  |  |  |  |  |  |
| A                | R   | PIN0  | Low      | 0     | Pin input is low  |  |  |  |  |  |  |  |  |  |  |  |  |  |  |  |  |  |  |  |  |  |  |  |  |  |  |  |
|                  |   |       | High     | 1     | Pin input is high |  |  |  |  |  |  |  |  |  |  |  |  |  |  |  |  |  |  |  |  |  |  |  |  |  |  |  |
|                  |   |       |          |       |                   |  |  |  |  |  |  |  |  |  |  |  |  |  |  |  |  |  |  |  |  |  |  |  |  |  |  |  |

| Bit number       | 31 30 29 28 27 26 25 24 23 22 21 20 19 18 17 16 15 14 13 12 11 10 9 8 7 6 5 4 3 2 1 0 |       |          |       |                   |  |  |  |  |  |  |  |  |  |  |  |  |  |  |  |
|------------------|---|-------|----------|-------|-------------------|--|--|--|--|--|--|--|--|--|--|--|--|--|--|--|
| Id               | f e d c b a Z Y X W V U T S R Q P O N M L K J I H G F E D C B A                       |       |          |       |                   |  |  |  |  |  |  |  |  |  |  |  |  |  |  |  |
| Reset 0x00000000 | 0                         |       |          |       |                   |  |  |  |  |  |  |  |  |  |  |  |  |  |  |  |
| Id               | RW  | Field | Value Id | Value | Description       |  |  |  |  |  |  |  |  |  |  |  |  |  |  |  |
| B                | R   | PIN1  |          |       | Pin 1             |  |  |  |  |  |  |  |  |  |  |  |  |  |  |  |
|                  |   |       | Low      | 0     | Pin input is low  |  |  |  |  |  |  |  |  |  |  |  |  |  |  |  |
|                  |   |       | High     | 1     | Pin input is high |  |  |  |  |  |  |  |  |  |  |  |  |  |  |  |
| C                | R   | PIN2  |          |       | Pin 2             |  |  |  |  |  |  |  |  |  |  |  |  |  |  |  |
|                  |   |       | Low      | 0     | Pin input is low  |  |  |  |  |  |  |  |  |  |  |  |  |  |  |  |
|                  |   |       | High     | 1     | Pin input is high |  |  |  |  |  |  |  |  |  |  |  |  |  |  |  |
| D                | R   | PIN3  |          |       | Pin 3             |  |  |  |  |  |  |  |  |  |  |  |  |  |  |  |
|                  |   |       | Low      | 0     | Pin input is low  |  |  |  |  |  |  |  |  |  |  |  |  |  |  |  |
|                  |   |       | High     | 1     | Pin input is high |  |  |  |  |  |  |  |  |  |  |  |  |  |  |  |
| E                | R   | PIN4  |          |       | Pin 4             |  |  |  |  |  |  |  |  |  |  |  |  |  |  |  |
|                  |   |       | Low      | 0     | Pin input is low  |  |  |  |  |  |  |  |  |  |  |  |  |  |  |  |
|                  |   |       | High     | 1     | Pin input is high |  |  |  |  |  |  |  |  |  |  |  |  |  |  |  |
| F                | R   | PIN5  |          |       | Pin 5             |  |  |  |  |  |  |  |  |  |  |  |  |  |  |  |
|                  |   |       | Low      | 0     | Pin input is low  |  |  |  |  |  |  |  |  |  |  |  |  |  |  |  |
|                  |   |       | High     | 1     | Pin input is high |  |  |  |  |  |  |  |  |  |  |  |  |  |  |  |
| G                | R   | PIN6  |          |       | Pin 6             |  |  |  |  |  |  |  |  |  |  |  |  |  |  |  |
|                  |   |       | Low      | 0     | Pin input is low  |  |  |  |  |  |  |  |  |  |  |  |  |  |  |  |
|                  |   |       | High     | 1     | Pin input is high |  |  |  |  |  |  |  |  |  |  |  |  |  |  |  |
| H                | R   | PIN7  |          |       | Pin 7             |  |  |  |  |  |  |  |  |  |  |  |  |  |  |  |
|                  |   |       | Low      | 0     | Pin input is low  |  |  |  |  |  |  |  |  |  |  |  |  |  |  |  |
|                  |   |       | High     | 1     | Pin input is high |  |  |  |  |  |  |  |  |  |  |  |  |  |  |  |
| I                | R   | PIN8  |          |       | Pin 8             |  |  |  |  |  |  |  |  |  |  |  |  |  |  |  |
|                  |   |       | Low      | 0     | Pin input is low  |  |  |  |  |  |  |  |  |  |  |  |  |  |  |  |
|                  |   |       | High     | 1     | Pin input is high |  |  |  |  |  |  |  |  |  |  |  |  |  |  |  |
| J                | R   | PIN9  |          |       | Pin 9             |  |  |  |  |  |  |  |  |  |  |  |  |  |  |  |
|                  |   |       | Low      | 0     | Pin input is low  |  |  |  |  |  |  |  |  |  |  |  |  |  |  |  |
|                  |   |       | High     | 1     | Pin input is high |  |  |  |  |  |  |  |  |  |  |  |  |  |  |  |
| K                | R   | PIN10 |          |       | Pin 10            |  |  |  |  |  |  |  |  |  |  |  |  |  |  |  |
|                  |   |       | Low      | 0     | Pin input is low  |  |  |  |  |  |  |  |  |  |  |  |  |  |  |  |
|                  |   |       | High     | 1     | Pin input is high |  |  |  |  |  |  |  |  |  |  |  |  |  |  |  |
| L                | R   | PIN11 |          |       | Pin 11            |  |  |  |  |  |  |  |  |  |  |  |  |  |  |  |
|                  |   |       | Low      | 0     | Pin input is low  |  |  |  |  |  |  |  |  |  |  |  |  |  |  |  |
|                  |   |       | High     | 1     | Pin input is high |  |  |  |  |  |  |  |  |  |  |  |  |  |  |  |
| M                | R   | PIN12 |          |       | Pin 12            |  |  |  |  |  |  |  |  |  |  |  |  |  |  |  |
|                  |   |       | Low      | 0     | Pin input is low  |  |  |  |  |  |  |  |  |  |  |  |  |  |  |  |
|                  |   |       | High     | 1     | Pin input is high |  |  |  |  |  |  |  |  |  |  |  |  |  |  |  |
| N                | R   | PIN13 |          |       | Pin 13            |  |  |  |  |  |  |  |  |  |  |  |  |  |  |  |
|                  |   |       | Low      | 0     | Pin input is low  |  |  |  |  |  |  |  |  |  |  |  |  |  |  |  |
|                  |   |       | High     | 1     | Pin input is high |  |  |  |  |  |  |  |  |  |  |  |  |  |  |  |
| O                | R   | PIN14 |          |       | Pin 14            |  |  |  |  |  |  |  |  |  |  |  |  |  |  |  |
|                  |   |       | Low      | 0     | Pin input is low  |  |  |  |  |  |  |  |  |  |  |  |  |  |  |  |
|                  |   |       | High     | 1     | Pin input is high |  |  |  |  |  |  |  |  |  |  |  |  |  |  |  |
| P                | R   | PIN15 |          |       | Pin 15            |  |  |  |  |  |  |  |  |  |  |  |  |  |  |  |
|                  |   |       | Low      | 0     | Pin input is low  |  |  |  |  |  |  |  |  |  |  |  |  |  |  |  |
|                  |   |       | High     | 1     | Pin input is high |  |  |  |  |  |  |  |  |  |  |  |  |  |  |  |
| Q                | R   | PIN16 |          |       | Pin 16            |  |  |  |  |  |  |  |  |  |  |  |  |  |  |  |
|                  |   |       | Low      | 0     | Pin input is low  |  |  |  |  |  |  |  |  |  |  |  |  |  |  |  |
|                  |   |       | High     | 1     | Pin input is high |  |  |  |  |  |  |  |  |  |  |  |  |  |  |  |
| R                | R   | PIN17 |          |       | Pin 17            |  |  |  |  |  |  |  |  |  |  |  |  |  |  |  |
|                  |   |       | Low      | 0     | Pin input is low  |  |  |  |  |  |  |  |  |  |  |  |  |  |  |  |
|                  |   |       | High     | 1     | Pin input is high |  |  |  |  |  |  |  |  |  |  |  |  |  |  |  |
| S                | R   | PIN18 |          |       | Pin 18            |  |  |  |  |  |  |  |  |  |  |  |  |  |  |  |
|                  |   |       | Low      | 0     | Pin input is low  |  |  |  |  |  |  |  |  |  |  |  |  |  |  |  |
|                  |   |       | High     | 1     | Pin input is high |  |  |  |  |  |  |  |  |  |  |  |  |  |  |  |
| T                | R   | PIN19 |          |       | Pin 19            |  |  |  |  |  |  |  |  |  |  |  |  |  |  |  |

| Bit number       |    |       |          |       |                   |  |  |  |  |  |  |  |  |  |  |  |  |  |  |  |  |  |  |  |  |  |  |  |  |  |  |  |
|------------------|----|-------|----------|-------|-------------------|--|--|--|--|--|--|--|--|--|--|--|--|--|--|--|--|--|--|--|--|--|--|--|--|--|--|--|
| Id               |    |       |          |       |                   |  |  |  |  |  |  |  |  |  |  |  |  |  |  |  |  |  |  |  |  |  |  |  |  |  |  |  |
| Reset 0x00000000 |    |       |          |       |                   |  |  |  |  |  |  |  |  |  |  |  |  |  |  |  |  |  |  |  |  |  |  |  |  |  |  |  |
| Id               | RW | Field | Value Id | Value | Description       |  |  |  |  |  |  |  |  |  |  |  |  |  |  |  |  |  |  |  |  |  |  |  |  |  |  |  |
|                  |    |       | Low      | 0     | Pin input is low  |  |  |  |  |  |  |  |  |  |  |  |  |  |  |  |  |  |  |  |  |  |  |  |  |  |  |  |
|                  |    |       | High     | 1     | Pin input is high |  |  |  |  |  |  |  |  |  |  |  |  |  |  |  |  |  |  |  |  |  |  |  |  |  |  |  |
| U                | R  | PIN20 |          |       | Pin 20            |  |  |  |  |  |  |  |  |  |  |  |  |  |  |  |  |  |  |  |  |  |  |  |  |  |  |  |
|                  |    |       | Low      | 0     | Pin input is low  |  |  |  |  |  |  |  |  |  |  |  |  |  |  |  |  |  |  |  |  |  |  |  |  |  |  |  |
|                  |    |       | High     | 1     | Pin input is high |  |  |  |  |  |  |  |  |  |  |  |  |  |  |  |  |  |  |  |  |  |  |  |  |  |  |  |
| V                | R  | PIN21 |          |       | Pin 21            |  |  |  |  |  |  |  |  |  |  |  |  |  |  |  |  |  |  |  |  |  |  |  |  |  |  |  |
|                  |    |       | Low      | 0     | Pin input is low  |  |  |  |  |  |  |  |  |  |  |  |  |  |  |  |  |  |  |  |  |  |  |  |  |  |  |  |
|                  |    |       | High     | 1     | Pin input is high |  |  |  |  |  |  |  |  |  |  |  |  |  |  |  |  |  |  |  |  |  |  |  |  |  |  |  |
| W                | R  | PIN22 |          |       | Pin 22            |  |  |  |  |  |  |  |  |  |  |  |  |  |  |  |  |  |  |  |  |  |  |  |  |  |  |  |
|                  |    |       | Low      | 0     | Pin input is low  |  |  |  |  |  |  |  |  |  |  |  |  |  |  |  |  |  |  |  |  |  |  |  |  |  |  |  |
|                  |    |       | High     | 1     | Pin input is high |  |  |  |  |  |  |  |  |  |  |  |  |  |  |  |  |  |  |  |  |  |  |  |  |  |  |  |
| X                | R  | PIN23 |          |       | Pin 23            |  |  |  |  |  |  |  |  |  |  |  |  |  |  |  |  |  |  |  |  |  |  |  |  |  |  |  |
|                  |    |       | Low      | 0     | Pin input is low  |  |  |  |  |  |  |  |  |  |  |  |  |  |  |  |  |  |  |  |  |  |  |  |  |  |  |  |
|                  |    |       | High     | 1     | Pin input is high |  |  |  |  |  |  |  |  |  |  |  |  |  |  |  |  |  |  |  |  |  |  |  |  |  |  |  |
| Y                | R  | PIN24 |          |       | Pin 24            |  |  |  |  |  |  |  |  |  |  |  |  |  |  |  |  |  |  |  |  |  |  |  |  |  |  |  |
|                  |    |       | Low      | 0     | Pin input is low  |  |  |  |  |  |  |  |  |  |  |  |  |  |  |  |  |  |  |  |  |  |  |  |  |  |  |  |
|                  |    |       | High     | 1     | Pin input is high |  |  |  |  |  |  |  |  |  |  |  |  |  |  |  |  |  |  |  |  |  |  |  |  |  |  |  |
| Z                | R  | PIN25 |          |       | Pin 25            |  |  |  |  |  |  |  |  |  |  |  |  |  |  |  |  |  |  |  |  |  |  |  |  |  |  |  |
|                  |    |       | Low      | 0     | Pin input is low  |  |  |  |  |  |  |  |  |  |  |  |  |  |  |  |  |  |  |  |  |  |  |  |  |  |  |  |
|                  |    |       | High     | 1     | Pin input is high |  |  |  |  |  |  |  |  |  |  |  |  |  |  |  |  |  |  |  |  |  |  |  |  |  |  |  |
| a                | R  | PIN26 |          |       | Pin 26            |  |  |  |  |  |  |  |  |  |  |  |  |  |  |  |  |  |  |  |  |  |  |  |  |  |  |  |
|                  |    |       | Low      | 0     | Pin input is low  |  |  |  |  |  |  |  |  |  |  |  |  |  |  |  |  |  |  |  |  |  |  |  |  |  |  |  |
|                  |    |       | High     | 1     | Pin input is high |  |  |  |  |  |  |  |  |  |  |  |  |  |  |  |  |  |  |  |  |  |  |  |  |  |  |  |
| b                | R  | PIN27 |          |       | Pin 27            |  |  |  |  |  |  |  |  |  |  |  |  |  |  |  |  |  |  |  |  |  |  |  |  |  |  |  |
|                  |    |       | Low      | 0     | Pin input is low  |  |  |  |  |  |  |  |  |  |  |  |  |  |  |  |  |  |  |  |  |  |  |  |  |  |  |  |
|                  |    |       | High     | 1     | Pin input is high |  |  |  |  |  |  |  |  |  |  |  |  |  |  |  |  |  |  |  |  |  |  |  |  |  |  |  |
| c                | R  | PIN28 |          |       | Pin 28            |  |  |  |  |  |  |  |  |  |  |  |  |  |  |  |  |  |  |  |  |  |  |  |  |  |  |  |
|                  |    |       | Low      | 0     | Pin input is low  |  |  |  |  |  |  |  |  |  |  |  |  |  |  |  |  |  |  |  |  |  |  |  |  |  |  |  |
|                  |    |       | High     | 1     | Pin input is high |  |  |  |  |  |  |  |  |  |  |  |  |  |  |  |  |  |  |  |  |  |  |  |  |  |  |  |
| d                | R  | PIN29 |          |       | Pin 29            |  |  |  |  |  |  |  |  |  |  |  |  |  |  |  |  |  |  |  |  |  |  |  |  |  |  |  |
|                  |    |       | Low      | 0     | Pin input is low  |  |  |  |  |  |  |  |  |  |  |  |  |  |  |  |  |  |  |  |  |  |  |  |  |  |  |  |
|                  |    |       | High     | 1     | Pin input is high |  |  |  |  |  |  |  |  |  |  |  |  |  |  |  |  |  |  |  |  |  |  |  |  |  |  |  |
| e                | R  | PIN30 |          |       | Pin 30            |  |  |  |  |  |  |  |  |  |  |  |  |  |  |  |  |  |  |  |  |  |  |  |  |  |  |  |
|                  |    |       | Low      | 0     | Pin input is low  |  |  |  |  |  |  |  |  |  |  |  |  |  |  |  |  |  |  |  |  |  |  |  |  |  |  |  |
|                  |    |       | High     | 1     | Pin input is high |  |  |  |  |  |  |  |  |  |  |  |  |  |  |  |  |  |  |  |  |  |  |  |  |  |  |  |
| f                | R  | PIN31 |          |       | Pin 31            |  |  |  |  |  |  |  |  |  |  |  |  |  |  |  |  |  |  |  |  |  |  |  |  |  |  |  |
|                  |    |       | Low      | 0     | Pin input is low  |  |  |  |  |  |  |  |  |  |  |  |  |  |  |  |  |  |  |  |  |  |  |  |  |  |  |  |
|                  |    |       | High     | 1     | Pin input is high |  |  |  |  |  |  |  |  |  |  |  |  |  |  |  |  |  |  |  |  |  |  |  |  |  |  |  |

### 20.3.5 DIR

Address offset: 0x514

Direction of GPIO pins

| Bit number       |    |       |          |       |                   |  |  |  |  |  |  |  |  |  |  |  |  |  |  |  |  |  |  |  |  |  |  |  |  |  |  |  |
|------------------|----|-------|----------|-------|-------------------|--|--|--|--|--|--|--|--|--|--|--|--|--|--|--|--|--|--|--|--|--|--|--|--|--|--|--|
| Id               |    |       |          |       |                   |  |  |  |  |  |  |  |  |  |  |  |  |  |  |  |  |  |  |  |  |  |  |  |  |  |  |  |
| Reset 0x00000000 |    |       |          |       |                   |  |  |  |  |  |  |  |  |  |  |  |  |  |  |  |  |  |  |  |  |  |  |  |  |  |  |  |
| Id               | RW | Field | Value Id | Value | Description       |  |  |  |  |  |  |  |  |  |  |  |  |  |  |  |  |  |  |  |  |  |  |  |  |  |  |  |
| A                | RW | PIN0  |          |       | Pin 0             |  |  |  |  |  |  |  |  |  |  |  |  |  |  |  |  |  |  |  |  |  |  |  |  |  |  |  |
|                  |    |       | Input    | 0     | Pin set as input  |  |  |  |  |  |  |  |  |  |  |  |  |  |  |  |  |  |  |  |  |  |  |  |  |  |  |  |
|                  |    |       | Output   | 1     | Pin set as output |  |  |  |  |  |  |  |  |  |  |  |  |  |  |  |  |  |  |  |  |  |  |  |  |  |  |  |
| B                | RW | PIN1  |          |       | Pin 1             |  |  |  |  |  |  |  |  |  |  |  |  |  |  |  |  |  |  |  |  |  |  |  |  |  |  |  |
|                  |    |       | Input    | 0     | Pin set as input  |  |  |  |  |  |  |  |  |  |  |  |  |  |  |  |  |  |  |  |  |  |  |  |  |  |  |  |
|                  |    |       | Output   | 1     | Pin set as output |  |  |  |  |  |  |  |  |  |  |  |  |  |  |  |  |  |  |  |  |  |  |  |  |  |  |  |
| C                | RW | PIN2  |          |       | Pin 2             |  |  |  |  |  |  |  |  |  |  |  |  |  |  |  |  |  |  |  |  |  |  |  |  |  |  |  |

|                  |    |    |    |    |    |    |    |    |    |    |    |    |    |    |    |    |    |    |    |    |    |    |   |   |   |   |   |   |   |   |   |   |
|------------------|----|----|----|----|----|----|----|----|----|----|----|----|----|----|----|----|----|----|----|----|----|----|---|---|---|---|---|---|---|---|---|---|
| Bit number       | 31 | 30 | 29 | 28 | 27 | 26 | 25 | 24 | 23 | 22 | 21 | 20 | 19 | 18 | 17 | 16 | 15 | 14 | 13 | 12 | 11 | 10 | 9 | 8 | 7 | 6 | 5 | 4 | 3 | 2 | 1 | 0 |
| Id               | f  | e  | d  | c  | b  | a  | Z  | Y  | X  | W  | V  | U  | T  | S  | R  | Q  | P  | O  | N  | M  | L  | K  | J | I | H | G | F | E | D | C | B | A |
| Reset 0x00000000 | 0  | 0  | 0  | 0  | 0  | 0  | 0  | 0  | 0  | 0  | 0  | 0  | 0  | 0  | 0  | 0  | 0  | 0  | 0  | 0  | 0  | 0  | 0 | 0 | 0 | 0 | 0 | 0 | 0 | 0 | 0 | 0 |

| Id | RW | Field | Value Id | Value | Description       |
|----|----|-------|----------|-------|-------------------|
|    |    |       | Input    | 0     | Pin set as input  |
|    |    |       | Output   | 1     | Pin set as output |
| D  | RW | PIN3  |          |       | Pin 3             |
|    |    |       | Input    | 0     | Pin set as input  |
|    |    |       | Output   | 1     | Pin set as output |
| E  | RW | PIN4  |          |       | Pin 4             |
|    |    |       | Input    | 0     | Pin set as input  |
|    |    |       | Output   | 1     | Pin set as output |
| F  | RW | PIN5  |          |       | Pin 5             |
|    |    |       | Input    | 0     | Pin set as input  |
|    |    |       | Output   | 1     | Pin set as output |
| G  | RW | PIN6  |          |       | Pin 6             |
|    |    |       | Input    | 0     | Pin set as input  |
|    |    |       | Output   | 1     | Pin set as output |
| H  | RW | PIN7  |          |       | Pin 7             |
|    |    |       | Input    | 0     | Pin set as input  |
|    |    |       | Output   | 1     | Pin set as output |
| I  | RW | PIN8  |          |       | Pin 8             |
|    |    |       | Input    | 0     | Pin set as input  |
|    |    |       | Output   | 1     | Pin set as output |
| J  | RW | PIN9  |          |       | Pin 9             |
|    |    |       | Input    | 0     | Pin set as input  |
|    |    |       | Output   | 1     | Pin set as output |
| K  | RW | PIN10 |          |       | Pin 10            |
|    |    |       | Input    | 0     | Pin set as input  |
|    |    |       | Output   | 1     | Pin set as output |
| L  | RW | PIN11 |          |       | Pin 11            |
|    |    |       | Input    | 0     | Pin set as input  |
|    |    |       | Output   | 1     | Pin set as output |
| M  | RW | PIN12 |          |       | Pin 12            |
|    |    |       | Input    | 0     | Pin set as input  |
|    |    |       | Output   | 1     | Pin set as output |
| N  | RW | PIN13 |          |       | Pin 13            |
|    |    |       | Input    | 0     | Pin set as input  |
|    |    |       | Output   | 1     | Pin set as output |
| O  | RW | PIN14 |          |       | Pin 14            |
|    |    |       | Input    | 0     | Pin set as input  |
|    |    |       | Output   | 1     | Pin set as output |
| P  | RW | PIN15 |          |       | Pin 15            |
|    |    |       | Input    | 0     | Pin set as input  |
|    |    |       | Output   | 1     | Pin set as output |
| Q  | RW | PIN16 |          |       | Pin 16            |
|    |    |       | Input    | 0     | Pin set as input  |
|    |    |       | Output   | 1     | Pin set as output |
| R  | RW | PIN17 |          |       | Pin 17            |
|    |    |       | Input    | 0     | Pin set as input  |
|    |    |       | Output   | 1     | Pin set as output |
| S  | RW | PIN18 |          |       | Pin 18            |
|    |    |       | Input    | 0     | Pin set as input  |
|    |    |       | Output   | 1     | Pin set as output |
| T  | RW | PIN19 |          |       | Pin 19            |
|    |    |       | Input    | 0     | Pin set as input  |
|    |    |       | Output   | 1     | Pin set as output |
| U  | RW | PIN20 |          |       | Pin 20            |
|    |    |       | Input    | 0     | Pin set as input  |

| Bit number       |   |       |          |       |                   |  |  |  |  |  |  |  |  |  |  |  |  |  |  |  |  |  |  |  |  |  |  |  |  |  |  |  |
|------------------|---|-------|----------|-------|-------------------|--|--|--|--|--|--|--|--|--|--|--|--|--|--|--|--|--|--|--|--|--|--|--|--|--|--|--|
| Id               | f e d c b a Z Y X W V U T S R Q P O N M L K J I H G F E D C B A             |       |          |       |                   |  |  |  |  |  |  |  |  |  |  |  |  |  |  |  |  |  |  |  |  |  |  |  |  |  |  |  |
| Reset 0x00000000 | 0 |       |          |       |                   |  |  |  |  |  |  |  |  |  |  |  |  |  |  |  |  |  |  |  |  |  |  |  |  |  |  |  |
| Id               | RW  | Field | Value Id | Value | Description       |  |  |  |  |  |  |  |  |  |  |  |  |  |  |  |  |  |  |  |  |  |  |  |  |  |  |  |
|                  |   |       | Output   | 1     | Pin set as output |  |  |  |  |  |  |  |  |  |  |  |  |  |  |  |  |  |  |  |  |  |  |  |  |  |  |  |
| V                | RW  | PIN21 | Input    | 0     | Pin set as input  |  |  |  |  |  |  |  |  |  |  |  |  |  |  |  |  |  |  |  |  |  |  |  |  |  |  |  |
|                  |   |       | Output   | 1     | Pin set as output |  |  |  |  |  |  |  |  |  |  |  |  |  |  |  |  |  |  |  |  |  |  |  |  |  |  |  |
| W                | RW  | PIN22 | Input    | 0     | Pin set as input  |  |  |  |  |  |  |  |  |  |  |  |  |  |  |  |  |  |  |  |  |  |  |  |  |  |  |  |
|                  |   |       | Output   | 1     | Pin set as output |  |  |  |  |  |  |  |  |  |  |  |  |  |  |  |  |  |  |  |  |  |  |  |  |  |  |  |
| X                | RW  | PIN23 | Input    | 0     | Pin set as input  |  |  |  |  |  |  |  |  |  |  |  |  |  |  |  |  |  |  |  |  |  |  |  |  |  |  |  |
|                  |   |       | Output   | 1     | Pin set as output |  |  |  |  |  |  |  |  |  |  |  |  |  |  |  |  |  |  |  |  |  |  |  |  |  |  |  |
| Y                | RW  | PIN24 | Input    | 0     | Pin set as input  |  |  |  |  |  |  |  |  |  |  |  |  |  |  |  |  |  |  |  |  |  |  |  |  |  |  |  |
|                  |   |       | Output   | 1     | Pin set as output |  |  |  |  |  |  |  |  |  |  |  |  |  |  |  |  |  |  |  |  |  |  |  |  |  |  |  |
| Z                | RW  | PIN25 | Input    | 0     | Pin set as input  |  |  |  |  |  |  |  |  |  |  |  |  |  |  |  |  |  |  |  |  |  |  |  |  |  |  |  |
|                  |   |       | Output   | 1     | Pin set as output |  |  |  |  |  |  |  |  |  |  |  |  |  |  |  |  |  |  |  |  |  |  |  |  |  |  |  |
| a                | RW  | PIN26 | Input    | 0     | Pin set as input  |  |  |  |  |  |  |  |  |  |  |  |  |  |  |  |  |  |  |  |  |  |  |  |  |  |  |  |
|                  |   |       | Output   | 1     | Pin set as output |  |  |  |  |  |  |  |  |  |  |  |  |  |  |  |  |  |  |  |  |  |  |  |  |  |  |  |
| b                | RW  | PIN27 | Input    | 0     | Pin set as input  |  |  |  |  |  |  |  |  |  |  |  |  |  |  |  |  |  |  |  |  |  |  |  |  |  |  |  |
|                  |   |       | Output   | 1     | Pin set as output |  |  |  |  |  |  |  |  |  |  |  |  |  |  |  |  |  |  |  |  |  |  |  |  |  |  |  |
| c                | RW  | PIN28 | Input    | 0     | Pin set as input  |  |  |  |  |  |  |  |  |  |  |  |  |  |  |  |  |  |  |  |  |  |  |  |  |  |  |  |
|                  |   |       | Output   | 1     | Pin set as output |  |  |  |  |  |  |  |  |  |  |  |  |  |  |  |  |  |  |  |  |  |  |  |  |  |  |  |
| d                | RW  | PIN29 | Input    | 0     | Pin set as input  |  |  |  |  |  |  |  |  |  |  |  |  |  |  |  |  |  |  |  |  |  |  |  |  |  |  |  |
|                  |   |       | Output   | 1     | Pin set as output |  |  |  |  |  |  |  |  |  |  |  |  |  |  |  |  |  |  |  |  |  |  |  |  |  |  |  |
| e                | RW  | PIN30 | Input    | 0     | Pin set as input  |  |  |  |  |  |  |  |  |  |  |  |  |  |  |  |  |  |  |  |  |  |  |  |  |  |  |  |
|                  |   |       | Output   | 1     | Pin set as output |  |  |  |  |  |  |  |  |  |  |  |  |  |  |  |  |  |  |  |  |  |  |  |  |  |  |  |
| f                | RW  | PIN31 | Input    | 0     | Pin set as input  |  |  |  |  |  |  |  |  |  |  |  |  |  |  |  |  |  |  |  |  |  |  |  |  |  |  |  |
|                  |   |       | Output   | 1     | Pin set as output |  |  |  |  |  |  |  |  |  |  |  |  |  |  |  |  |  |  |  |  |  |  |  |  |  |  |  |

### 20.3.6 DIRSET

Address offset: 0x518

DIR set register

Read: reads value of DIR register.

| Bit number       |   |       |          |       |  |  |  |  |  |  |  |  |  |  |  |  |  |  |  |  |  |  |  |  |  |  |  |  |  |  |  |  |
|------------------|---|-------|----------|-------|--|--|--|--|--|--|--|--|--|--|--|--|--|--|--|--|--|--|--|--|--|--|--|--|--|--|--|--|
| Id               | f e d c b a Z Y X W V U T S R Q P O N M L K J I H G F E D C B A             |       |          |       |  |  |  |  |  |  |  |  |  |  |  |  |  |  |  |  |  |  |  |  |  |  |  |  |  |  |  |  |
| Reset 0x00000000 | 0 |       |          |       |  |  |  |  |  |  |  |  |  |  |  |  |  |  |  |  |  |  |  |  |  |  |  |  |  |  |  |  |
| Id               | RW  | Field | Value Id | Value | Description  |  |  |  |  |  |  |  |  |  |  |  |  |  |  |  |  |  |  |  |  |  |  |  |  |  |  |  |
| A                | RW  | PIN0  | Input    | 0     | Set as output pin 0  |  |  |  |  |  |  |  |  |  |  |  |  |  |  |  |  |  |  |  |  |  |  |  |  |  |  |  |
|                  |   |       | Output   | 1     | Read: pin set as input   |  |  |  |  |  |  |  |  |  |  |  |  |  |  |  |  |  |  |  |  |  |  |  |  |  |  |  |
|                  |   |       | Set      | 1     | Read: pin set as output  |  |  |  |  |  |  |  |  |  |  |  |  |  |  |  |  |  |  |  |  |  |  |  |  |  |  |  |
|                  |   |       |          |       | Write: writing a '1' sets pin to output; writing a '0' has no effect |  |  |  |  |  |  |  |  |  |  |  |  |  |  |  |  |  |  |  |  |  |  |  |  |  |  |  |
| B                | RW  | PIN1  | Input    | 0     | Set as output pin 1  |  |  |  |  |  |  |  |  |  |  |  |  |  |  |  |  |  |  |  |  |  |  |  |  |  |  |  |
|                  |   |       | Output   | 1     | Read: pin set as input   |  |  |  |  |  |  |  |  |  |  |  |  |  |  |  |  |  |  |  |  |  |  |  |  |  |  |  |
|                  |   |       | Set      | 1     | Read: pin set as output  |  |  |  |  |  |  |  |  |  |  |  |  |  |  |  |  |  |  |  |  |  |  |  |  |  |  |  |
|                  |   |       |          |       | Write: writing a '1' sets pin to output; writing a '0' has no effect |  |  |  |  |  |  |  |  |  |  |  |  |  |  |  |  |  |  |  |  |  |  |  |  |  |  |  |
| C                | RW  | PIN2  |          |       | Set as output pin 2  |  |  |  |  |  |  |  |  |  |  |  |  |  |  |  |  |  |  |  |  |  |  |  |  |  |  |  |

|                  |    |    |    |    |    |    |    |    |    |    |    |    |    |    |    |    |    |    |    |    |    |    |   |   |   |   |   |   |   |   |   |   |
|------------------|----|----|----|----|----|----|----|----|----|----|----|----|----|----|----|----|----|----|----|----|----|----|---|---|---|---|---|---|---|---|---|---|
| Bit number       | 31 | 30 | 29 | 28 | 27 | 26 | 25 | 24 | 23 | 22 | 21 | 20 | 19 | 18 | 17 | 16 | 15 | 14 | 13 | 12 | 11 | 10 | 9 | 8 | 7 | 6 | 5 | 4 | 3 | 2 | 1 | 0 |
| Id               | f  | e  | d  | c  | b  | a  | Z  | Y  | X  | W  | V  | U  | T  | S  | R  | Q  | P  | O  | N  | M  | L  | K  | J | I | H | G | F | E | D | C | B | A |
| Reset 0x00000000 | 0  | 0  | 0  | 0  | 0  | 0  | 0  | 0  | 0  | 0  | 0  | 0  | 0  | 0  | 0  | 0  | 0  | 0  | 0  | 0  | 0  | 0  | 0 | 0 | 0 | 0 | 0 | 0 | 0 | 0 | 0 | 0 |

| Id | RW | Field | Value Id | Value | Description  |
|----|----|-------|----------|-------|--|
|    |    |       | Input    | 0     | Read: pin set as input   |
|    |    |       | Output   | 1     | Read: pin set as output  |
|    |    |       | Set      | 1     | Write: writing a '1' sets pin to output; writing a '0' has no effect |
| D  | RW | PIN3  | Set      | 1     | Set as output pin 3  |
|    |    |       | Input    | 0     | Read: pin set as input   |
|    |    |       | Output   | 1     | Read: pin set as output  |
|    |    |       | Set      | 1     | Write: writing a '1' sets pin to output; writing a '0' has no effect |
|    |    |       | Input    | 0     | Read: pin set as input   |
|    |    |       | Output   | 1     | Read: pin set as output  |
| E  | RW | PIN4  | Set      | 1     | Set as output pin 4  |
|    |    |       | Input    | 0     | Read: pin set as input   |
|    |    |       | Output   | 1     | Read: pin set as output  |
|    |    |       | Set      | 1     | Write: writing a '1' sets pin to output; writing a '0' has no effect |
|    |    |       | Input    | 0     | Read: pin set as input   |
|    |    |       | Output   | 1     | Read: pin set as output  |
| F  | RW | PIN5  | Set      | 1     | Set as output pin 5  |
|    |    |       | Input    | 0     | Read: pin set as input   |
|    |    |       | Output   | 1     | Read: pin set as output  |
|    |    |       | Set      | 1     | Write: writing a '1' sets pin to output; writing a '0' has no effect |
|    |    |       | Input    | 0     | Read: pin set as input   |
|    |    |       | Output   | 1     | Read: pin set as output  |
| G  | RW | PIN6  | Set      | 1     | Set as output pin 6  |
|    |    |       | Input    | 0     | Read: pin set as input   |
|    |    |       | Output   | 1     | Read: pin set as output  |
|    |    |       | Set      | 1     | Write: writing a '1' sets pin to output; writing a '0' has no effect |
|    |    |       | Input    | 0     | Read: pin set as input   |
|    |    |       | Output   | 1     | Read: pin set as output  |
| H  | RW | PIN7  | Set      | 1     | Set as output pin 7  |
|    |    |       | Input    | 0     | Read: pin set as input   |
|    |    |       | Output   | 1     | Read: pin set as output  |
|    |    |       | Set      | 1     | Write: writing a '1' sets pin to output; writing a '0' has no effect |
|    |    |       | Input    | 0     | Read: pin set as input   |
|    |    |       | Output   | 1     | Read: pin set as output  |
| I  | RW | PIN8  | Set      | 1     | Set as output pin 8  |
|    |    |       | Input    | 0     | Read: pin set as input   |
|    |    |       | Output   | 1     | Read: pin set as output  |
|    |    |       | Set      | 1     | Write: writing a '1' sets pin to output; writing a '0' has no effect |
|    |    |       | Input    | 0     | Read: pin set as input   |
|    |    |       | Output   | 1     | Read: pin set as output  |
| J  | RW | PIN9  | Set      | 1     | Set as output pin 9  |
|    |    |       | Input    | 0     | Read: pin set as input   |
|    |    |       | Output   | 1     | Read: pin set as output  |
|    |    |       | Set      | 1     | Write: writing a '1' sets pin to output; writing a '0' has no effect |
|    |    |       | Input    | 0     | Read: pin set as input   |
|    |    |       | Output   | 1     | Read: pin set as output  |
| K  | RW | PIN10 | Set      | 1     | Set as output pin 10   |
|    |    |       | Input    | 0     | Read: pin set as input   |
|    |    |       | Output   | 1     | Read: pin set as output  |
|    |    |       | Set      | 1     | Write: writing a '1' sets pin to output; writing a '0' has no effect |
|    |    |       | Input    | 0     | Read: pin set as input   |
|    |    |       | Output   | 1     | Read: pin set as output  |
| L  | RW | PIN11 | Set      | 1     | Set as output pin 11   |
|    |    |       | Input    | 0     | Read: pin set as input   |
|    |    |       | Output   | 1     | Read: pin set as output  |
|    |    |       | Set      | 1     | Write: writing a '1' sets pin to output; writing a '0' has no effect |
|    |    |       | Input    | 0     | Read: pin set as input   |
|    |    |       | Output   | 1     | Read: pin set as output  |
| M  | RW | PIN12 | Set      | 1     | Set as output pin 12   |
|    |    |       | Input    | 0     | Read: pin set as input   |
|    |    |       | Output   | 1     | Read: pin set as output  |
|    |    |       | Set      | 1     | Write: writing a '1' sets pin to output; writing a '0' has no effect |
|    |    |       | Input    | 0     | Read: pin set as input   |
|    |    |       | Output   | 1     | Read: pin set as output  |
| N  | RW | PIN13 | Set      | 1     | Set as output pin 13   |
|    |    |       | Input    | 0     | Read: pin set as input   |
|    |    |       | Output   | 1     | Read: pin set as output  |
|    |    |       | Set      | 1     | Write: writing a '1' sets pin to output; writing a '0' has no effect |
|    |    |       | Input    | 0     | Read: pin set as input   |
|    |    |       | Output   | 1     | Read: pin set as output  |
| O  | RW | PIN14 | Set      | 1     | Set as output pin 14   |
|    |    |       | Input    | 0     | Read: pin set as input   |
|    |    |       | Output   | 1     | Read: pin set as output  |
|    |    |       | Set      | 1     | Write: writing a '1' sets pin to output; writing a '0' has no effect |
|    |    |       | Input    | 0     | Read: pin set as input   |
|    |    |       | Output   | 1     | Read: pin set as output  |
| P  | RW | PIN15 | Set      | 1     | Set as output pin 15   |
|    |    |       | Input    | 0     | Read: pin set as input   |
|    |    |       | Output   | 1     | Read: pin set as output  |
|    |    |       | Set      | 1     | Write: writing a '1' sets pin to output; writing a '0' has no effect |

|                  |    |    |    |    |    |    |    |    |    |    |    |    |    |    |    |    |    |    |    |    |    |    |   |   |   |   |   |   |   |   |   |   |
|------------------|----|----|----|----|----|----|----|----|----|----|----|----|----|----|----|----|----|----|----|----|----|----|---|---|---|---|---|---|---|---|---|---|
| Bit number       | 31 | 30 | 29 | 28 | 27 | 26 | 25 | 24 | 23 | 22 | 21 | 20 | 19 | 18 | 17 | 16 | 15 | 14 | 13 | 12 | 11 | 10 | 9 | 8 | 7 | 6 | 5 | 4 | 3 | 2 | 1 | 0 |
| Id               | f  | e  | d  | c  | b  | a  | Z  | Y  | X  | W  | V  | U  | T  | S  | R  | Q  | P  | O  | N  | M  | L  | K  | J | I | H | G | F | E | D | C | B | A |
| Reset 0x00000000 | 0  | 0  | 0  | 0  | 0  | 0  | 0  | 0  | 0  | 0  | 0  | 0  | 0  | 0  | 0  | 0  | 0  | 0  | 0  | 0  | 0  | 0  | 0 | 0 | 0 | 0 | 0 | 0 | 0 | 0 | 0 | 0 |

| Id | RW | Field | Value Id | Value | Description  |
|----|----|-------|----------|-------|--|
| Q  | RW | PIN16 |          |       | Set as output pin 16   |
|    |    |       | Input    | 0     | Read: pin set as input   |
|    |    |       | Output   | 1     | Read: pin set as output  |
|    |    |       | Set      | 1     | Write: writing a '1' sets pin to output; writing a '0' has no effect |
| R  | RW | PIN17 |          |       | Set as output pin 17   |
|    |    |       | Input    | 0     | Read: pin set as input   |
|    |    |       | Output   | 1     | Read: pin set as output  |
|    |    |       | Set      | 1     | Write: writing a '1' sets pin to output; writing a '0' has no effect |
| S  | RW | PIN18 |          |       | Set as output pin 18   |
|    |    |       | Input    | 0     | Read: pin set as input   |
|    |    |       | Output   | 1     | Read: pin set as output  |
|    |    |       | Set      | 1     | Write: writing a '1' sets pin to output; writing a '0' has no effect |
| T  | RW | PIN19 |          |       | Set as output pin 19   |
|    |    |       | Input    | 0     | Read: pin set as input   |
|    |    |       | Output   | 1     | Read: pin set as output  |
|    |    |       | Set      | 1     | Write: writing a '1' sets pin to output; writing a '0' has no effect |
| U  | RW | PIN20 |          |       | Set as output pin 20   |
|    |    |       | Input    | 0     | Read: pin set as input   |
|    |    |       | Output   | 1     | Read: pin set as output  |
|    |    |       | Set      | 1     | Write: writing a '1' sets pin to output; writing a '0' has no effect |
| V  | RW | PIN21 |          |       | Set as output pin 21   |
|    |    |       | Input    | 0     | Read: pin set as input   |
|    |    |       | Output   | 1     | Read: pin set as output  |
|    |    |       | Set      | 1     | Write: writing a '1' sets pin to output; writing a '0' has no effect |
| W  | RW | PIN22 |          |       | Set as output pin 22   |
|    |    |       | Input    | 0     | Read: pin set as input   |
|    |    |       | Output   | 1     | Read: pin set as output  |
|    |    |       | Set      | 1     | Write: writing a '1' sets pin to output; writing a '0' has no effect |
| X  | RW | PIN23 |          |       | Set as output pin 23   |
|    |    |       | Input    | 0     | Read: pin set as input   |
|    |    |       | Output   | 1     | Read: pin set as output  |
|    |    |       | Set      | 1     | Write: writing a '1' sets pin to output; writing a '0' has no effect |
| Y  | RW | PIN24 |          |       | Set as output pin 24   |
|    |    |       | Input    | 0     | Read: pin set as input   |
|    |    |       | Output   | 1     | Read: pin set as output  |
|    |    |       | Set      | 1     | Write: writing a '1' sets pin to output; writing a '0' has no effect |
| Z  | RW | PIN25 |          |       | Set as output pin 25   |
|    |    |       | Input    | 0     | Read: pin set as input   |
|    |    |       | Output   | 1     | Read: pin set as output  |
|    |    |       | Set      | 1     | Write: writing a '1' sets pin to output; writing a '0' has no effect |
| a  | RW | PIN26 |          |       | Set as output pin 26   |
|    |    |       | Input    | 0     | Read: pin set as input   |
|    |    |       | Output   | 1     | Read: pin set as output  |
|    |    |       | Set      | 1     | Write: writing a '1' sets pin to output; writing a '0' has no effect |
| b  | RW | PIN27 |          |       | Set as output pin 27   |
|    |    |       | Input    | 0     | Read: pin set as input   |
|    |    |       | Output   | 1     | Read: pin set as output  |
|    |    |       | Set      | 1     | Write: writing a '1' sets pin to output; writing a '0' has no effect |
| c  | RW | PIN28 |          |       | Set as output pin 28   |
|    |    |       | Input    | 0     | Read: pin set as input   |
|    |    |       | Output   | 1     | Read: pin set as output  |
|    |    |       | Set      | 1     | Write: writing a '1' sets pin to output; writing a '0' has no effect |
| d  | RW | PIN29 |          |       | Set as output pin 29   |
|    |    |       | Input    | 0     | Read: pin set as input   |
|    |    |       | Output   | 1     | Read: pin set as output  |

| Bit number       | 31 30 29 28 27 26 25 24 23 22 21 20 19 18 17 16 15 14 13 12 11 10 9 8 7 6 5 4 3 2 1 0 |       |          |       |  |  |  |  |  |  |  |  |  |  |  |  |  |  |  |  |  |  |  |  |  |  |  |  |  |  |  |
|------------------|---|-------|----------|-------|--|--|--|--|--|--|--|--|--|--|--|--|--|--|--|--|--|--|--|--|--|--|--|--|--|--|--|
| Id               | f e d c b a Z Y X W V U T S R Q P O N M L K J I H G F E D C B A                       |       |          |       |  |  |  |  |  |  |  |  |  |  |  |  |  |  |  |  |  |  |  |  |  |  |  |  |  |  |  |
| Reset 0x00000000 | 0             |       |          |       |  |  |  |  |  |  |  |  |  |  |  |  |  |  |  |  |  |  |  |  |  |  |  |  |  |  |  |
| Id               | RW  | Field | Value Id | Value | Description  |  |  |  |  |  |  |  |  |  |  |  |  |  |  |  |  |  |  |  |  |  |  |  |  |  |  |
| e                | RW  | PIN30 | Set      | 1     | Write: writing a '1' sets pin to output; writing a '0' has no effect |  |  |  |  |  |  |  |  |  |  |  |  |  |  |  |  |  |  |  |  |  |  |  |  |  |  |
|                  |   |       | Input    | 0     | Read: pin set as input   |  |  |  |  |  |  |  |  |  |  |  |  |  |  |  |  |  |  |  |  |  |  |  |  |  |  |
|                  |   |       | Output   | 1     | Read: pin set as output  |  |  |  |  |  |  |  |  |  |  |  |  |  |  |  |  |  |  |  |  |  |  |  |  |  |  |
|                  |   |       | Set      | 1     | Write: writing a '1' sets pin to output; writing a '0' has no effect |  |  |  |  |  |  |  |  |  |  |  |  |  |  |  |  |  |  |  |  |  |  |  |  |  |  |
| f                | RW  | PIN31 | Set      | 1     | Write: writing a '1' sets pin to output; writing a '0' has no effect |  |  |  |  |  |  |  |  |  |  |  |  |  |  |  |  |  |  |  |  |  |  |  |  |  |  |
|                  |   |       | Input    | 0     | Read: pin set as input   |  |  |  |  |  |  |  |  |  |  |  |  |  |  |  |  |  |  |  |  |  |  |  |  |  |  |
|                  |   |       | Output   | 1     | Read: pin set as output  |  |  |  |  |  |  |  |  |  |  |  |  |  |  |  |  |  |  |  |  |  |  |  |  |  |  |
|                  |   |       | Set      | 1     | Write: writing a '1' sets pin to output; writing a '0' has no effect |  |  |  |  |  |  |  |  |  |  |  |  |  |  |  |  |  |  |  |  |  |  |  |  |  |  |

### 20.3.7 DIRCLR

Address offset: 0x51C

DIR clear register

Read: reads value of DIR register.

| Bit number       | 31 30 29 28 27 26 25 24 23 22 21 20 19 18 17 16 15 14 13 12 11 10 9 8 7 6 5 4 3 2 1 0 |       |          |       |  |  |  |  |  |  |  |  |  |  |  |  |  |  |  |  |  |  |  |  |  |  |  |  |  |  |  |
|------------------|---|-------|----------|-------|--|--|--|--|--|--|--|--|--|--|--|--|--|--|--|--|--|--|--|--|--|--|--|--|--|--|--|
| Id               | f e d c b a Z Y X W V U T S R Q P O N M L K J I H G F E D C B A                       |       |          |       |  |  |  |  |  |  |  |  |  |  |  |  |  |  |  |  |  |  |  |  |  |  |  |  |  |  |  |
| Reset 0x00000000 | 0             |       |          |       |  |  |  |  |  |  |  |  |  |  |  |  |  |  |  |  |  |  |  |  |  |  |  |  |  |  |  |
| Id               | RW  | Field | Value Id | Value | Description  |  |  |  |  |  |  |  |  |  |  |  |  |  |  |  |  |  |  |  |  |  |  |  |  |  |  |
| A                | RW  | PIN0  | Input    | 0     | Read: pin set as input   |  |  |  |  |  |  |  |  |  |  |  |  |  |  |  |  |  |  |  |  |  |  |  |  |  |  |
|                  |   |       | Output   | 1     | Read: pin set as output  |  |  |  |  |  |  |  |  |  |  |  |  |  |  |  |  |  |  |  |  |  |  |  |  |  |  |
|                  |   |       | Clear    | 1     | Write: writing a '1' sets pin to input; writing a '0' has no effect  |  |  |  |  |  |  |  |  |  |  |  |  |  |  |  |  |  |  |  |  |  |  |  |  |  |  |
|                  |   |       | Set      | 1     | Write: writing a '1' sets pin to output; writing a '0' has no effect |  |  |  |  |  |  |  |  |  |  |  |  |  |  |  |  |  |  |  |  |  |  |  |  |  |  |
| B                | RW  | PIN1  | Input    | 0     | Read: pin set as input   |  |  |  |  |  |  |  |  |  |  |  |  |  |  |  |  |  |  |  |  |  |  |  |  |  |  |
|                  |   |       | Output   | 1     | Read: pin set as output  |  |  |  |  |  |  |  |  |  |  |  |  |  |  |  |  |  |  |  |  |  |  |  |  |  |  |
|                  |   |       | Clear    | 1     | Write: writing a '1' sets pin to input; writing a '0' has no effect  |  |  |  |  |  |  |  |  |  |  |  |  |  |  |  |  |  |  |  |  |  |  |  |  |  |  |
|                  |   |       | Set      | 1     | Write: writing a '1' sets pin to output; writing a '0' has no effect |  |  |  |  |  |  |  |  |  |  |  |  |  |  |  |  |  |  |  |  |  |  |  |  |  |  |
| C                | RW  | PIN2  | Input    | 0     | Read: pin set as input   |  |  |  |  |  |  |  |  |  |  |  |  |  |  |  |  |  |  |  |  |  |  |  |  |  |  |
|                  |   |       | Output   | 1     | Read: pin set as output  |  |  |  |  |  |  |  |  |  |  |  |  |  |  |  |  |  |  |  |  |  |  |  |  |  |  |
|                  |   |       | Clear    | 1     | Write: writing a '1' sets pin to input; writing a '0' has no effect  |  |  |  |  |  |  |  |  |  |  |  |  |  |  |  |  |  |  |  |  |  |  |  |  |  |  |
|                  |   |       | Set      | 1     | Write: writing a '1' sets pin to output; writing a '0' has no effect |  |  |  |  |  |  |  |  |  |  |  |  |  |  |  |  |  |  |  |  |  |  |  |  |  |  |
| D                | RW  | PIN3  | Input    | 0     | Read: pin set as input   |  |  |  |  |  |  |  |  |  |  |  |  |  |  |  |  |  |  |  |  |  |  |  |  |  |  |
|                  |   |       | Output   | 1     | Read: pin set as output  |  |  |  |  |  |  |  |  |  |  |  |  |  |  |  |  |  |  |  |  |  |  |  |  |  |  |
|                  |   |       | Clear    | 1     | Write: writing a '1' sets pin to input; writing a '0' has no effect  |  |  |  |  |  |  |  |  |  |  |  |  |  |  |  |  |  |  |  |  |  |  |  |  |  |  |
|                  |   |       | Set      | 1     | Write: writing a '1' sets pin to output; writing a '0' has no effect |  |  |  |  |  |  |  |  |  |  |  |  |  |  |  |  |  |  |  |  |  |  |  |  |  |  |
| E                | RW  | PIN4  | Input    | 0     | Read: pin set as input   |  |  |  |  |  |  |  |  |  |  |  |  |  |  |  |  |  |  |  |  |  |  |  |  |  |  |
|                  |   |       | Output   | 1     | Read: pin set as output  |  |  |  |  |  |  |  |  |  |  |  |  |  |  |  |  |  |  |  |  |  |  |  |  |  |  |
|                  |   |       | Clear    | 1     | Write: writing a '1' sets pin to input; writing a '0' has no effect  |  |  |  |  |  |  |  |  |  |  |  |  |  |  |  |  |  |  |  |  |  |  |  |  |  |  |
|                  |   |       | Set      | 1     | Write: writing a '1' sets pin to output; writing a '0' has no effect |  |  |  |  |  |  |  |  |  |  |  |  |  |  |  |  |  |  |  |  |  |  |  |  |  |  |
| F                | RW  | PIN5  | Input    | 0     | Read: pin set as input   |  |  |  |  |  |  |  |  |  |  |  |  |  |  |  |  |  |  |  |  |  |  |  |  |  |  |
|                  |   |       | Output   | 1     | Read: pin set as output  |  |  |  |  |  |  |  |  |  |  |  |  |  |  |  |  |  |  |  |  |  |  |  |  |  |  |
|                  |   |       | Clear    | 1     | Write: writing a '1' sets pin to input; writing a '0' has no effect  |  |  |  |  |  |  |  |  |  |  |  |  |  |  |  |  |  |  |  |  |  |  |  |  |  |  |
|                  |   |       | Set      | 1     | Write: writing a '1' sets pin to output; writing a '0' has no effect |  |  |  |  |  |  |  |  |  |  |  |  |  |  |  |  |  |  |  |  |  |  |  |  |  |  |
| G                | RW  | PIN6  | Input    | 0     | Read: pin set as input   |  |  |  |  |  |  |  |  |  |  |  |  |  |  |  |  |  |  |  |  |  |  |  |  |  |  |
|                  |   |       | Output   | 1     | Read: pin set as output  |  |  |  |  |  |  |  |  |  |  |  |  |  |  |  |  |  |  |  |  |  |  |  |  |  |  |
|                  |   |       | Clear    | 1     | Write: writing a '1' sets pin to input; writing a '0' has no effect  |  |  |  |  |  |  |  |  |  |  |  |  |  |  |  |  |  |  |  |  |  |  |  |  |  |  |
|                  |   |       | Set      | 1     | Write: writing a '1' sets pin to output; writing a '0' has no effect |  |  |  |  |  |  |  |  |  |  |  |  |  |  |  |  |  |  |  |  |  |  |  |  |  |  |
| H                | RW  | PIN7  | Input    | 0     | Read: pin set as input   |  |  |  |  |  |  |  |  |  |  |  |  |  |  |  |  |  |  |  |  |  |  |  |  |  |  |
|                  |   |       | Output   | 1     | Read: pin set as output  |  |  |  |  |  |  |  |  |  |  |  |  |  |  |  |  |  |  |  |  |  |  |  |  |  |  |
|                  |   |       | Clear    | 1     | Write: writing a '1' sets pin to input; writing a '0' has no effect  |  |  |  |  |  |  |  |  |  |  |  |  |  |  |  |  |  |  |  |  |  |  |  |  |  |  |
|                  |   |       | Set      | 1     | Write: writing a '1' sets pin to output; writing a '0' has no effect |  |  |  |  |  |  |  |  |  |  |  |  |  |  |  |  |  |  |  |  |  |  |  |  |  |  |
| I                | RW  | PIN8  | Input    | 0     | Read: pin set as input   |  |  |  |  |  |  |  |  |  |  |  |  |  |  |  |  |  |  |  |  |  |  |  |  |  |  |
|                  |   |       | Set      | 1     | Write: writing a '1' sets pin to output; writing a '0' has no effect |  |  |  |  |  |  |  |  |  |  |  |  |  |  |  |  |  |  |  |  |  |  |  |  |  |  |



|                  |    |    |    |    |    |    |    |    |    |    |    |    |    |    |    |    |    |    |    |    |    |    |   |   |   |   |   |   |   |   |   |   |
|------------------|----|----|----|----|----|----|----|----|----|----|----|----|----|----|----|----|----|----|----|----|----|----|---|---|---|---|---|---|---|---|---|---|
| Bit number       | 31 | 30 | 29 | 28 | 27 | 26 | 25 | 24 | 23 | 22 | 21 | 20 | 19 | 18 | 17 | 16 | 15 | 14 | 13 | 12 | 11 | 10 | 9 | 8 | 7 | 6 | 5 | 4 | 3 | 2 | 1 | 0 |
| Id               | f  | e  | d  | c  | b  | a  | Z  | Y  | X  | W  | V  | U  | T  | S  | R  | Q  | P  | O  | N  | M  | L  | K  | J | I | H | G | F | E | D | C | B | A |
| Reset 0x00000000 | 0  | 0  | 0  | 0  | 0  | 0  | 0  | 0  | 0  | 0  | 0  | 0  | 0  | 0  | 0  | 0  | 0  | 0  | 0  | 0  | 0  | 0  | 0 | 0 | 0 | 0 | 0 | 0 | 0 | 0 | 0 | 0 |

| Id | RW | Field | Value Id | Value | Description   |
|----|----|-------|----------|-------|---|
|    |    |       | Output   | 1     | Read: pin set as output   |
|    |    |       | Clear    | 1     | Write: writing a '1' sets pin to input; writing a '0' has no effect |
| J  | RW | PIN9  |          |       | Set as input pin 9  |
|    |    |       | Input    | 0     | Read: pin set as input  |
|    |    |       | Output   | 1     | Read: pin set as output   |
|    |    |       | Clear    | 1     | Write: writing a '1' sets pin to input; writing a '0' has no effect |
| K  | RW | PIN10 |          |       | Set as input pin 10   |
|    |    |       | Input    | 0     | Read: pin set as input  |
|    |    |       | Output   | 1     | Read: pin set as output   |
|    |    |       | Clear    | 1     | Write: writing a '1' sets pin to input; writing a '0' has no effect |
| L  | RW | PIN11 |          |       | Set as input pin 11   |
|    |    |       | Input    | 0     | Read: pin set as input  |
|    |    |       | Output   | 1     | Read: pin set as output   |
|    |    |       | Clear    | 1     | Write: writing a '1' sets pin to input; writing a '0' has no effect |
| M  | RW | PIN12 |          |       | Set as input pin 12   |
|    |    |       | Input    | 0     | Read: pin set as input  |
|    |    |       | Output   | 1     | Read: pin set as output   |
|    |    |       | Clear    | 1     | Write: writing a '1' sets pin to input; writing a '0' has no effect |
| N  | RW | PIN13 |          |       | Set as input pin 13   |
|    |    |       | Input    | 0     | Read: pin set as input  |
|    |    |       | Output   | 1     | Read: pin set as output   |
|    |    |       | Clear    | 1     | Write: writing a '1' sets pin to input; writing a '0' has no effect |
| O  | RW | PIN14 |          |       | Set as input pin 14   |
|    |    |       | Input    | 0     | Read: pin set as input  |
|    |    |       | Output   | 1     | Read: pin set as output   |
|    |    |       | Clear    | 1     | Write: writing a '1' sets pin to input; writing a '0' has no effect |
| P  | RW | PIN15 |          |       | Set as input pin 15   |
|    |    |       | Input    | 0     | Read: pin set as input  |
|    |    |       | Output   | 1     | Read: pin set as output   |
|    |    |       | Clear    | 1     | Write: writing a '1' sets pin to input; writing a '0' has no effect |
| Q  | RW | PIN16 |          |       | Set as input pin 16   |
|    |    |       | Input    | 0     | Read: pin set as input  |
|    |    |       | Output   | 1     | Read: pin set as output   |
|    |    |       | Clear    | 1     | Write: writing a '1' sets pin to input; writing a '0' has no effect |
| R  | RW | PIN17 |          |       | Set as input pin 17   |
|    |    |       | Input    | 0     | Read: pin set as input  |
|    |    |       | Output   | 1     | Read: pin set as output   |
|    |    |       | Clear    | 1     | Write: writing a '1' sets pin to input; writing a '0' has no effect |
| S  | RW | PIN18 |          |       | Set as input pin 18   |
|    |    |       | Input    | 0     | Read: pin set as input  |
|    |    |       | Output   | 1     | Read: pin set as output   |
|    |    |       | Clear    | 1     | Write: writing a '1' sets pin to input; writing a '0' has no effect |
| T  | RW | PIN19 |          |       | Set as input pin 19   |
|    |    |       | Input    | 0     | Read: pin set as input  |
|    |    |       | Output   | 1     | Read: pin set as output   |
|    |    |       | Clear    | 1     | Write: writing a '1' sets pin to input; writing a '0' has no effect |
| U  | RW | PIN20 |          |       | Set as input pin 20   |
|    |    |       | Input    | 0     | Read: pin set as input  |
|    |    |       | Output   | 1     | Read: pin set as output   |
|    |    |       | Clear    | 1     | Write: writing a '1' sets pin to input; writing a '0' has no effect |
| V  | RW | PIN21 |          |       | Set as input pin 21   |
|    |    |       | Input    | 0     | Read: pin set as input  |
|    |    |       | Output   | 1     | Read: pin set as output   |
|    |    |       | Clear    | 1     | Write: writing a '1' sets pin to input; writing a '0' has no effect |
| W  | RW | PIN22 |          |       | Set as input pin 22   |

| Bit number       | 31 30 29 28 27 26 25 24 23 22 21 20 19 18 17 16 15 14 13 12 11 10 9 8 7 6 5 4 3 2 1 0 |       |          |       |   |  |  |  |  |  |  |  |  |  |  |  |  |  |  |  |  |  |  |  |  |  |  |  |  |  |  |  |
|------------------|---|-------|----------|-------|---|--|--|--|--|--|--|--|--|--|--|--|--|--|--|--|--|--|--|--|--|--|--|--|--|--|--|--|
| Id               | f e d c b a Z Y X W V U T S R Q P O N M L K J I H G F E D C B A                       |       |          |       |   |  |  |  |  |  |  |  |  |  |  |  |  |  |  |  |  |  |  |  |  |  |  |  |  |  |  |  |
| Reset 0x00000000 | 0           |       |          |       |   |  |  |  |  |  |  |  |  |  |  |  |  |  |  |  |  |  |  |  |  |  |  |  |  |  |  |  |
| Id               | RW  | Field | Value Id | Value | Description   |  |  |  |  |  |  |  |  |  |  |  |  |  |  |  |  |  |  |  |  |  |  |  |  |  |  |  |
|                  |   |       | Input    | 0     | Read: pin set as input  |  |  |  |  |  |  |  |  |  |  |  |  |  |  |  |  |  |  |  |  |  |  |  |  |  |  |  |
|                  |   |       | Output   | 1     | Read: pin set as output   |  |  |  |  |  |  |  |  |  |  |  |  |  |  |  |  |  |  |  |  |  |  |  |  |  |  |  |
|                  |   |       | Clear    | 1     | Write: writing a '1' sets pin to input; writing a '0' has no effect |  |  |  |  |  |  |  |  |  |  |  |  |  |  |  |  |  |  |  |  |  |  |  |  |  |  |  |
| X                | RW  | PIN23 |          |       | Set as input pin 23   |  |  |  |  |  |  |  |  |  |  |  |  |  |  |  |  |  |  |  |  |  |  |  |  |  |  |  |
|                  |   |       | Input    | 0     | Read: pin set as input  |  |  |  |  |  |  |  |  |  |  |  |  |  |  |  |  |  |  |  |  |  |  |  |  |  |  |  |
|                  |   |       | Output   | 1     | Read: pin set as output   |  |  |  |  |  |  |  |  |  |  |  |  |  |  |  |  |  |  |  |  |  |  |  |  |  |  |  |
|                  |   |       | Clear    | 1     | Write: writing a '1' sets pin to input; writing a '0' has no effect |  |  |  |  |  |  |  |  |  |  |  |  |  |  |  |  |  |  |  |  |  |  |  |  |  |  |  |
| Y                | RW  | PIN24 |          |       | Set as input pin 24   |  |  |  |  |  |  |  |  |  |  |  |  |  |  |  |  |  |  |  |  |  |  |  |  |  |  |  |
|                  |   |       | Input    | 0     | Read: pin set as input  |  |  |  |  |  |  |  |  |  |  |  |  |  |  |  |  |  |  |  |  |  |  |  |  |  |  |  |
|                  |   |       | Output   | 1     | Read: pin set as output   |  |  |  |  |  |  |  |  |  |  |  |  |  |  |  |  |  |  |  |  |  |  |  |  |  |  |  |
|                  |   |       | Clear    | 1     | Write: writing a '1' sets pin to input; writing a '0' has no effect |  |  |  |  |  |  |  |  |  |  |  |  |  |  |  |  |  |  |  |  |  |  |  |  |  |  |  |
| Z                | RW  | PIN25 |          |       | Set as input pin 25   |  |  |  |  |  |  |  |  |  |  |  |  |  |  |  |  |  |  |  |  |  |  |  |  |  |  |  |
|                  |   |       | Input    | 0     | Read: pin set as input  |  |  |  |  |  |  |  |  |  |  |  |  |  |  |  |  |  |  |  |  |  |  |  |  |  |  |  |
|                  |   |       | Output   | 1     | Read: pin set as output   |  |  |  |  |  |  |  |  |  |  |  |  |  |  |  |  |  |  |  |  |  |  |  |  |  |  |  |
|                  |   |       | Clear    | 1     | Write: writing a '1' sets pin to input; writing a '0' has no effect |  |  |  |  |  |  |  |  |  |  |  |  |  |  |  |  |  |  |  |  |  |  |  |  |  |  |  |
| a                | RW  | PIN26 |          |       | Set as input pin 26   |  |  |  |  |  |  |  |  |  |  |  |  |  |  |  |  |  |  |  |  |  |  |  |  |  |  |  |
|                  |   |       | Input    | 0     | Read: pin set as input  |  |  |  |  |  |  |  |  |  |  |  |  |  |  |  |  |  |  |  |  |  |  |  |  |  |  |  |
|                  |   |       | Output   | 1     | Read: pin set as output   |  |  |  |  |  |  |  |  |  |  |  |  |  |  |  |  |  |  |  |  |  |  |  |  |  |  |  |
|                  |   |       | Clear    | 1     | Write: writing a '1' sets pin to input; writing a '0' has no effect |  |  |  |  |  |  |  |  |  |  |  |  |  |  |  |  |  |  |  |  |  |  |  |  |  |  |  |
| b                | RW  | PIN27 |          |       | Set as input pin 27   |  |  |  |  |  |  |  |  |  |  |  |  |  |  |  |  |  |  |  |  |  |  |  |  |  |  |  |
|                  |   |       | Input    | 0     | Read: pin set as input  |  |  |  |  |  |  |  |  |  |  |  |  |  |  |  |  |  |  |  |  |  |  |  |  |  |  |  |
|                  |   |       | Output   | 1     | Read: pin set as output   |  |  |  |  |  |  |  |  |  |  |  |  |  |  |  |  |  |  |  |  |  |  |  |  |  |  |  |
|                  |   |       | Clear    | 1     | Write: writing a '1' sets pin to input; writing a '0' has no effect |  |  |  |  |  |  |  |  |  |  |  |  |  |  |  |  |  |  |  |  |  |  |  |  |  |  |  |
| c                | RW  | PIN28 |          |       | Set as input pin 28   |  |  |  |  |  |  |  |  |  |  |  |  |  |  |  |  |  |  |  |  |  |  |  |  |  |  |  |
|                  |   |       | Input    | 0     | Read: pin set as input  |  |  |  |  |  |  |  |  |  |  |  |  |  |  |  |  |  |  |  |  |  |  |  |  |  |  |  |
|                  |   |       | Output   | 1     | Read: pin set as output   |  |  |  |  |  |  |  |  |  |  |  |  |  |  |  |  |  |  |  |  |  |  |  |  |  |  |  |
|                  |   |       | Clear    | 1     | Write: writing a '1' sets pin to input; writing a '0' has no effect |  |  |  |  |  |  |  |  |  |  |  |  |  |  |  |  |  |  |  |  |  |  |  |  |  |  |  |
| d                | RW  | PIN29 |          |       | Set as input pin 29   |  |  |  |  |  |  |  |  |  |  |  |  |  |  |  |  |  |  |  |  |  |  |  |  |  |  |  |
|                  |   |       | Input    | 0     | Read: pin set as input  |  |  |  |  |  |  |  |  |  |  |  |  |  |  |  |  |  |  |  |  |  |  |  |  |  |  |  |
|                  |   |       | Output   | 1     | Read: pin set as output   |  |  |  |  |  |  |  |  |  |  |  |  |  |  |  |  |  |  |  |  |  |  |  |  |  |  |  |
|                  |   |       | Clear    | 1     | Write: writing a '1' sets pin to input; writing a '0' has no effect |  |  |  |  |  |  |  |  |  |  |  |  |  |  |  |  |  |  |  |  |  |  |  |  |  |  |  |
| e                | RW  | PIN30 |          |       | Set as input pin 30   |  |  |  |  |  |  |  |  |  |  |  |  |  |  |  |  |  |  |  |  |  |  |  |  |  |  |  |
|                  |   |       | Input    | 0     | Read: pin set as input  |  |  |  |  |  |  |  |  |  |  |  |  |  |  |  |  |  |  |  |  |  |  |  |  |  |  |  |
|                  |   |       | Output   | 1     | Read: pin set as output   |  |  |  |  |  |  |  |  |  |  |  |  |  |  |  |  |  |  |  |  |  |  |  |  |  |  |  |
|                  |   |       | Clear    | 1     | Write: writing a '1' sets pin to input; writing a '0' has no effect |  |  |  |  |  |  |  |  |  |  |  |  |  |  |  |  |  |  |  |  |  |  |  |  |  |  |  |
| f                | RW  | PIN31 |          |       | Set as input pin 31   |  |  |  |  |  |  |  |  |  |  |  |  |  |  |  |  |  |  |  |  |  |  |  |  |  |  |  |
|                  |   |       | Input    | 0     | Read: pin set as input  |  |  |  |  |  |  |  |  |  |  |  |  |  |  |  |  |  |  |  |  |  |  |  |  |  |  |  |
|                  |   |       | Output   | 1     | Read: pin set as output   |  |  |  |  |  |  |  |  |  |  |  |  |  |  |  |  |  |  |  |  |  |  |  |  |  |  |  |
|                  |   |       | Clear    | 1     | Write: writing a '1' sets pin to input; writing a '0' has no effect |  |  |  |  |  |  |  |  |  |  |  |  |  |  |  |  |  |  |  |  |  |  |  |  |  |  |  |

### 20.3.8 LATCH

Address offset: 0x520

Latch register indicating what GPIO pins that have met the criteria set in the PIN\_CNF[n].SENSE registers

| Bit number       | 31 30 29 28 27 26 25 24 23 22 21 20 19 18 17 16 15 14 13 12 11 10 9 8 7 6 5 4 3 2 1 0 |       |            |       |   |  |  |  |  |  |  |  |  |  |  |  |  |  |  |  |  |  |  |  |  |  |  |  |  |  |  |  |
|------------------|---|-------|------------|-------|---|--|--|--|--|--|--|--|--|--|--|--|--|--|--|--|--|--|--|--|--|--|--|--|--|--|--|--|
| Id               | f e d c b a Z Y X W V U T S R Q P O N M L K J I H G F E D C B A                       |       |            |       |   |  |  |  |  |  |  |  |  |  |  |  |  |  |  |  |  |  |  |  |  |  |  |  |  |  |  |  |
| Reset 0x00000000 | 0           |       |            |       |   |  |  |  |  |  |  |  |  |  |  |  |  |  |  |  |  |  |  |  |  |  |  |  |  |  |  |  |
| Id               | RW  | Field | Value Id   | Value | Description   |  |  |  |  |  |  |  |  |  |  |  |  |  |  |  |  |  |  |  |  |  |  |  |  |  |  |  |
| A                | RW  | PIN0  |            |       | Status on whether PIN0 has met criteria set in PIN_CNFO.SENSE register. Write '1' to clear. |  |  |  |  |  |  |  |  |  |  |  |  |  |  |  |  |  |  |  |  |  |  |  |  |  |  |  |
|                  |   |       | NotLatched | 0     | Criteria has not been met   |  |  |  |  |  |  |  |  |  |  |  |  |  |  |  |  |  |  |  |  |  |  |  |  |  |  |  |
|                  |   |       | Latched    | 1     | Criteria has been met   |  |  |  |  |  |  |  |  |  |  |  |  |  |  |  |  |  |  |  |  |  |  |  |  |  |  |  |
| B                | RW  | PIN1  |            |       | Status on whether PIN1 has met criteria set in PIN_CNF1.SENSE register. Write '1' to clear. |  |  |  |  |  |  |  |  |  |  |  |  |  |  |  |  |  |  |  |  |  |  |  |  |  |  |  |

|                  |    |    |    |    |    |    |    |    |    |    |    |    |    |    |    |    |    |    |    |    |    |    |   |   |   |   |   |   |   |   |   |   |
|------------------|----|----|----|----|----|----|----|----|----|----|----|----|----|----|----|----|----|----|----|----|----|----|---|---|---|---|---|---|---|---|---|---|
| Bit number       | 31 | 30 | 29 | 28 | 27 | 26 | 25 | 24 | 23 | 22 | 21 | 20 | 19 | 18 | 17 | 16 | 15 | 14 | 13 | 12 | 11 | 10 | 9 | 8 | 7 | 6 | 5 | 4 | 3 | 2 | 1 | 0 |
| Id               | f  | e  | d  | c  | b  | a  | Z  | Y  | X  | W  | V  | U  | T  | S  | R  | Q  | P  | O  | N  | M  | L  | K  | J | I | H | G | F | E | D | C | B | A |
| Reset 0x00000000 | 0  | 0  | 0  | 0  | 0  | 0  | 0  | 0  | 0  | 0  | 0  | 0  | 0  | 0  | 0  | 0  | 0  | 0  | 0  | 0  | 0  | 0  | 0 | 0 | 0 | 0 | 0 | 0 | 0 | 0 | 0 | 0 |

| Id | RW | Field | Value Id   | Value | Description   |
|----|----|-------|------------|-------|---|
|    |    |       | NotLatched | 0     | Criteria has not been met   |
|    |    |       | Latched    | 1     | Criteria has been met   |
| C  | RW | PIN2  |            |       | Status on whether PIN2 has met criteria set in PIN_CNF2.SENSE register. Write '1' to clear.   |
|    |    |       | NotLatched | 0     | Criteria has not been met   |
|    |    |       | Latched    | 1     | Criteria has been met   |
| D  | RW | PIN3  |            |       | Status on whether PIN3 has met criteria set in PIN_CNF3.SENSE register. Write '1' to clear.   |
|    |    |       | NotLatched | 0     | Criteria has not been met   |
|    |    |       | Latched    | 1     | Criteria has been met   |
| E  | RW | PIN4  |            |       | Status on whether PIN4 has met criteria set in PIN_CNF4.SENSE register. Write '1' to clear.   |
|    |    |       | NotLatched | 0     | Criteria has not been met   |
|    |    |       | Latched    | 1     | Criteria has been met   |
| F  | RW | PIN5  |            |       | Status on whether PIN5 has met criteria set in PIN_CNF5.SENSE register. Write '1' to clear.   |
|    |    |       | NotLatched | 0     | Criteria has not been met   |
|    |    |       | Latched    | 1     | Criteria has been met   |
| G  | RW | PIN6  |            |       | Status on whether PIN6 has met criteria set in PIN_CNF6.SENSE register. Write '1' to clear.   |
|    |    |       | NotLatched | 0     | Criteria has not been met   |
|    |    |       | Latched    | 1     | Criteria has been met   |
| H  | RW | PIN7  |            |       | Status on whether PIN7 has met criteria set in PIN_CNF7.SENSE register. Write '1' to clear.   |
|    |    |       | NotLatched | 0     | Criteria has not been met   |
|    |    |       | Latched    | 1     | Criteria has been met   |
| I  | RW | PIN8  |            |       | Status on whether PIN8 has met criteria set in PIN_CNF8.SENSE register. Write '1' to clear.   |
|    |    |       | NotLatched | 0     | Criteria has not been met   |
|    |    |       | Latched    | 1     | Criteria has been met   |
| J  | RW | PIN9  |            |       | Status on whether PIN9 has met criteria set in PIN_CNF9.SENSE register. Write '1' to clear.   |
|    |    |       | NotLatched | 0     | Criteria has not been met   |
|    |    |       | Latched    | 1     | Criteria has been met   |
| K  | RW | PIN10 |            |       | Status on whether PIN10 has met criteria set in PIN_CNF10.SENSE register. Write '1' to clear. |
|    |    |       | NotLatched | 0     | Criteria has not been met   |
|    |    |       | Latched    | 1     | Criteria has been met   |
| L  | RW | PIN11 |            |       | Status on whether PIN11 has met criteria set in PIN_CNF11.SENSE register. Write '1' to clear. |
|    |    |       | NotLatched | 0     | Criteria has not been met   |
|    |    |       | Latched    | 1     | Criteria has been met   |
| M  | RW | PIN12 |            |       | Status on whether PIN12 has met criteria set in PIN_CNF12.SENSE register. Write '1' to clear. |
|    |    |       | NotLatched | 0     | Criteria has not been met   |
|    |    |       | Latched    | 1     | Criteria has been met   |
| N  | RW | PIN13 |            |       | Status on whether PIN13 has met criteria set in PIN_CNF13.SENSE register. Write '1' to clear. |
|    |    |       | NotLatched | 0     | Criteria has not been met   |
|    |    |       | Latched    | 1     | Criteria has been met   |
| O  | RW | PIN14 |            |       | Status on whether PIN14 has met criteria set in PIN_CNF14.SENSE register. Write '1' to clear. |
|    |    |       | NotLatched | 0     | Criteria has not been met   |
|    |    |       | Latched    | 1     | Criteria has been met   |

| Bit number       |   |       |            |       |   |  |  |  |  |  |  |  |  |  |  |  |  |  |  |  |  |  |  |  |  |  |  |  |  |  |  |
|------------------|---|-------|------------|-------|---|--|--|--|--|--|--|--|--|--|--|--|--|--|--|--|--|--|--|--|--|--|--|--|--|--|--|
| Id               | f e d c b a Z Y X W V U T S R Q P O N M L K J I H G F E D C B A           |       |            |       |   |  |  |  |  |  |  |  |  |  |  |  |  |  |  |  |  |  |  |  |  |  |  |  |  |  |  |
| Reset 0x00000000 | 0 |       |            |       |   |  |  |  |  |  |  |  |  |  |  |  |  |  |  |  |  |  |  |  |  |  |  |  |  |  |  |
| Id               | RW  | Field | Value Id   | Value | Description   |  |  |  |  |  |  |  |  |  |  |  |  |  |  |  |  |  |  |  |  |  |  |  |  |  |  |
| P                | RW  | PIN15 |            |       | Status on whether PIN15 has met criteria set in PIN_CNF15.SENSE register. Write '1' to clear. |  |  |  |  |  |  |  |  |  |  |  |  |  |  |  |  |  |  |  |  |  |  |  |  |  |  |
|                  |   |       | NotLatched | 0     | Criteria has not been met   |  |  |  |  |  |  |  |  |  |  |  |  |  |  |  |  |  |  |  |  |  |  |  |  |  |  |
|                  |   |       | Latched    | 1     | Criteria has been met   |  |  |  |  |  |  |  |  |  |  |  |  |  |  |  |  |  |  |  |  |  |  |  |  |  |  |
| Q                | RW  | PIN16 |            |       | Status on whether PIN16 has met criteria set in PIN_CNF16.SENSE register. Write '1' to clear. |  |  |  |  |  |  |  |  |  |  |  |  |  |  |  |  |  |  |  |  |  |  |  |  |  |  |
|                  |   |       | NotLatched | 0     | Criteria has not been met   |  |  |  |  |  |  |  |  |  |  |  |  |  |  |  |  |  |  |  |  |  |  |  |  |  |  |
|                  |   |       | Latched    | 1     | Criteria has been met   |  |  |  |  |  |  |  |  |  |  |  |  |  |  |  |  |  |  |  |  |  |  |  |  |  |  |
| R                | RW  | PIN17 |            |       | Status on whether PIN17 has met criteria set in PIN_CNF17.SENSE register. Write '1' to clear. |  |  |  |  |  |  |  |  |  |  |  |  |  |  |  |  |  |  |  |  |  |  |  |  |  |  |
|                  |   |       | NotLatched | 0     | Criteria has not been met   |  |  |  |  |  |  |  |  |  |  |  |  |  |  |  |  |  |  |  |  |  |  |  |  |  |  |
|                  |   |       | Latched    | 1     | Criteria has been met   |  |  |  |  |  |  |  |  |  |  |  |  |  |  |  |  |  |  |  |  |  |  |  |  |  |  |
| S                | RW  | PIN18 |            |       | Status on whether PIN18 has met criteria set in PIN_CNF18.SENSE register. Write '1' to clear. |  |  |  |  |  |  |  |  |  |  |  |  |  |  |  |  |  |  |  |  |  |  |  |  |  |  |
|                  |   |       | NotLatched | 0     | Criteria has not been met   |  |  |  |  |  |  |  |  |  |  |  |  |  |  |  |  |  |  |  |  |  |  |  |  |  |  |
|                  |   |       | Latched    | 1     | Criteria has been met   |  |  |  |  |  |  |  |  |  |  |  |  |  |  |  |  |  |  |  |  |  |  |  |  |  |  |
| T                | RW  | PIN19 |            |       | Status on whether PIN19 has met criteria set in PIN_CNF19.SENSE register. Write '1' to clear. |  |  |  |  |  |  |  |  |  |  |  |  |  |  |  |  |  |  |  |  |  |  |  |  |  |  |
|                  |   |       | NotLatched | 0     | Criteria has not been met   |  |  |  |  |  |  |  |  |  |  |  |  |  |  |  |  |  |  |  |  |  |  |  |  |  |  |
|                  |   |       | Latched    | 1     | Criteria has been met   |  |  |  |  |  |  |  |  |  |  |  |  |  |  |  |  |  |  |  |  |  |  |  |  |  |  |
| U                | RW  | PIN20 |            |       | Status on whether PIN20 has met criteria set in PIN_CNF20.SENSE register. Write '1' to clear. |  |  |  |  |  |  |  |  |  |  |  |  |  |  |  |  |  |  |  |  |  |  |  |  |  |  |
|                  |   |       | NotLatched | 0     | Criteria has not been met   |  |  |  |  |  |  |  |  |  |  |  |  |  |  |  |  |  |  |  |  |  |  |  |  |  |  |
|                  |   |       | Latched    | 1     | Criteria has been met   |  |  |  |  |  |  |  |  |  |  |  |  |  |  |  |  |  |  |  |  |  |  |  |  |  |  |
| V                | RW  | PIN21 |            |       | Status on whether PIN21 has met criteria set in PIN_CNF21.SENSE register. Write '1' to clear. |  |  |  |  |  |  |  |  |  |  |  |  |  |  |  |  |  |  |  |  |  |  |  |  |  |  |
|                  |   |       | NotLatched | 0     | Criteria has not been met   |  |  |  |  |  |  |  |  |  |  |  |  |  |  |  |  |  |  |  |  |  |  |  |  |  |  |
|                  |   |       | Latched    | 1     | Criteria has been met   |  |  |  |  |  |  |  |  |  |  |  |  |  |  |  |  |  |  |  |  |  |  |  |  |  |  |
| W                | RW  | PIN22 |            |       | Status on whether PIN22 has met criteria set in PIN_CNF22.SENSE register. Write '1' to clear. |  |  |  |  |  |  |  |  |  |  |  |  |  |  |  |  |  |  |  |  |  |  |  |  |  |  |
|                  |   |       | NotLatched | 0     | Criteria has not been met   |  |  |  |  |  |  |  |  |  |  |  |  |  |  |  |  |  |  |  |  |  |  |  |  |  |  |
|                  |   |       | Latched    | 1     | Criteria has been met   |  |  |  |  |  |  |  |  |  |  |  |  |  |  |  |  |  |  |  |  |  |  |  |  |  |  |
| X                | RW  | PIN23 |            |       | Status on whether PIN23 has met criteria set in PIN_CNF23.SENSE register. Write '1' to clear. |  |  |  |  |  |  |  |  |  |  |  |  |  |  |  |  |  |  |  |  |  |  |  |  |  |  |
|                  |   |       | NotLatched | 0     | Criteria has not been met   |  |  |  |  |  |  |  |  |  |  |  |  |  |  |  |  |  |  |  |  |  |  |  |  |  |  |
|                  |   |       | Latched    | 1     | Criteria has been met   |  |  |  |  |  |  |  |  |  |  |  |  |  |  |  |  |  |  |  |  |  |  |  |  |  |  |
| Y                | RW  | PIN24 |            |       | Status on whether PIN24 has met criteria set in PIN_CNF24.SENSE register. Write '1' to clear. |  |  |  |  |  |  |  |  |  |  |  |  |  |  |  |  |  |  |  |  |  |  |  |  |  |  |
|                  |   |       | NotLatched | 0     | Criteria has not been met   |  |  |  |  |  |  |  |  |  |  |  |  |  |  |  |  |  |  |  |  |  |  |  |  |  |  |
|                  |   |       | Latched    | 1     | Criteria has been met   |  |  |  |  |  |  |  |  |  |  |  |  |  |  |  |  |  |  |  |  |  |  |  |  |  |  |
| Z                | RW  | PIN25 |            |       | Status on whether PIN25 has met criteria set in PIN_CNF25.SENSE register. Write '1' to clear. |  |  |  |  |  |  |  |  |  |  |  |  |  |  |  |  |  |  |  |  |  |  |  |  |  |  |
|                  |   |       | NotLatched | 0     | Criteria has not been met   |  |  |  |  |  |  |  |  |  |  |  |  |  |  |  |  |  |  |  |  |  |  |  |  |  |  |
|                  |   |       | Latched    | 1     | Criteria has been met   |  |  |  |  |  |  |  |  |  |  |  |  |  |  |  |  |  |  |  |  |  |  |  |  |  |  |
| a                | RW  | PIN26 |            |       | Status on whether PIN26 has met criteria set in PIN_CNF26.SENSE register. Write '1' to clear. |  |  |  |  |  |  |  |  |  |  |  |  |  |  |  |  |  |  |  |  |  |  |  |  |  |  |
|                  |   |       | NotLatched | 0     | Criteria has not been met   |  |  |  |  |  |  |  |  |  |  |  |  |  |  |  |  |  |  |  |  |  |  |  |  |  |  |
|                  |   |       | Latched    | 1     | Criteria has been met   |  |  |  |  |  |  |  |  |  |  |  |  |  |  |  |  |  |  |  |  |  |  |  |  |  |  |
| b                | RW  | PIN27 |            |       | Status on whether PIN27 has met criteria set in PIN_CNF27.SENSE register. Write '1' to clear. |  |  |  |  |  |  |  |  |  |  |  |  |  |  |  |  |  |  |  |  |  |  |  |  |  |  |
|                  |   |       | NotLatched | 0     | Criteria has not been met   |  |  |  |  |  |  |  |  |  |  |  |  |  |  |  |  |  |  |  |  |  |  |  |  |  |  |
|                  |   |       | Latched    | 1     | Criteria has been met   |  |  |  |  |  |  |  |  |  |  |  |  |  |  |  |  |  |  |  |  |  |  |  |  |  |  |
| c                | RW  | PIN28 |            |       | Status on whether PIN28 has met criteria set in PIN_CNF28.SENSE register. Write '1' to clear. |  |  |  |  |  |  |  |  |  |  |  |  |  |  |  |  |  |  |  |  |  |  |  |  |  |  |
|                  |   |       | NotLatched | 0     | Criteria has not been met   |  |  |  |  |  |  |  |  |  |  |  |  |  |  |  |  |  |  |  |  |  |  |  |  |  |  |

| Bit number       | 31 30 29 28 27 26 25 24 23 22 21 20 19 18 17 16 15 14 13 12 11 10 9 8 7 6 5 4 3 2 1 0 |       |            |       |   |  |  |  |  |  |  |  |  |  |  |  |  |  |  |  |  |  |  |  |  |  |  |  |  |  |  |  |
|------------------|---|-------|------------|-------|---|--|--|--|--|--|--|--|--|--|--|--|--|--|--|--|--|--|--|--|--|--|--|--|--|--|--|--|
| Id               | f e d c b a Z Y X W V U T S R Q P O N M L K J I H G F E D C B A                       |       |            |       |   |  |  |  |  |  |  |  |  |  |  |  |  |  |  |  |  |  |  |  |  |  |  |  |  |  |  |  |
| Reset 0x00000000 | 0                   |       |            |       |   |  |  |  |  |  |  |  |  |  |  |  |  |  |  |  |  |  |  |  |  |  |  |  |  |  |  |  |
| Id               | RW  | Field | Value Id   | Value | Description   |  |  |  |  |  |  |  |  |  |  |  |  |  |  |  |  |  |  |  |  |  |  |  |  |  |  |  |
|                  |   |       | Latched    | 1     | Criteria has been met   |  |  |  |  |  |  |  |  |  |  |  |  |  |  |  |  |  |  |  |  |  |  |  |  |  |  |  |
| d                | RW  | PIN29 | NotLatched | 0     | Status on whether PIN29 has met criteria set in PIN_CNF29.SENSE register. Write '1' to clear. |  |  |  |  |  |  |  |  |  |  |  |  |  |  |  |  |  |  |  |  |  |  |  |  |  |  |  |
|                  |   |       | Latched    | 1     | Criteria has been met   |  |  |  |  |  |  |  |  |  |  |  |  |  |  |  |  |  |  |  |  |  |  |  |  |  |  |  |
| e                | RW  | PIN30 | NotLatched | 0     | Status on whether PIN30 has met criteria set in PIN_CNF30.SENSE register. Write '1' to clear. |  |  |  |  |  |  |  |  |  |  |  |  |  |  |  |  |  |  |  |  |  |  |  |  |  |  |  |
|                  |   |       | Latched    | 1     | Criteria has been met   |  |  |  |  |  |  |  |  |  |  |  |  |  |  |  |  |  |  |  |  |  |  |  |  |  |  |  |
| f                | RW  | PIN31 | NotLatched | 0     | Status on whether PIN31 has met criteria set in PIN_CNF31.SENSE register. Write '1' to clear. |  |  |  |  |  |  |  |  |  |  |  |  |  |  |  |  |  |  |  |  |  |  |  |  |  |  |  |
|                  |   |       | Latched    | 1     | Criteria has been met   |  |  |  |  |  |  |  |  |  |  |  |  |  |  |  |  |  |  |  |  |  |  |  |  |  |  |  |

### 20.3.9 DETECTMODE

Address offset: 0x524

Select between default DETECT signal behaviour and LDETECT mode

| Bit number       | 31 30 29 28 27 26 25 24 23 22 21 20 19 18 17 16 15 14 13 12 11 10 9 8 7 6 5 4 3 2 1 0 |            |          |       |   |  |  |  |  |  |  |  |  |  |  |  |  |  |  |  |  |  |  |  |  |  |  |  |  |  |  |  |
|------------------|---|------------|----------|-------|---|--|--|--|--|--|--|--|--|--|--|--|--|--|--|--|--|--|--|--|--|--|--|--|--|--|--|--|
| Id               | A   |            |          |       |   |  |  |  |  |  |  |  |  |  |  |  |  |  |  |  |  |  |  |  |  |  |  |  |  |  |  |  |
| Reset 0x00000000 | 0                       |            |          |       |   |  |  |  |  |  |  |  |  |  |  |  |  |  |  |  |  |  |  |  |  |  |  |  |  |  |  |  |
| Id               | RW  | Field      | Value Id | Value | Description   |  |  |  |  |  |  |  |  |  |  |  |  |  |  |  |  |  |  |  |  |  |  |  |  |  |  |  |
| A                | RW  | DETECTMODE | Default  | 0     | Select between default DETECT signal behaviour and LDETECT mode |  |  |  |  |  |  |  |  |  |  |  |  |  |  |  |  |  |  |  |  |  |  |  |  |  |  |  |
|                  |   |            | LDETECT  | 1     | DETECT directly connected to PIN DETECT signals                 |  |  |  |  |  |  |  |  |  |  |  |  |  |  |  |  |  |  |  |  |  |  |  |  |  |  |  |
|                  |   |            |          |       | Use the latched LDETECT behaviour                               |  |  |  |  |  |  |  |  |  |  |  |  |  |  |  |  |  |  |  |  |  |  |  |  |  |  |  |

### 20.3.10 PIN\_CNF[0]

Address offset: 0x700

Configuration of GPIO pins

| Bit number       | 31 30 29 28 27 26 25 24 23 22 21 20 19 18 17 16 15 14 13 12 11 10 9 8 7 6 5 4 3 2 1 0 |       |            |       |  |  |  |  |  |  |  |  |  |  |  |  |  |  |  |  |  |  |  |  |  |  |  |  |  |  |  |  |
|------------------|---|-------|------------|-------|--|--|--|--|--|--|--|--|--|--|--|--|--|--|--|--|--|--|--|--|--|--|--|--|--|--|--|--|
| Id               | E E D D D C C B A   |       |            |       |  |  |  |  |  |  |  |  |  |  |  |  |  |  |  |  |  |  |  |  |  |  |  |  |  |  |  |  |
| Reset 0x00000002 | 0 1                       |       |            |       |  |  |  |  |  |  |  |  |  |  |  |  |  |  |  |  |  |  |  |  |  |  |  |  |  |  |  |  |
| Id               | RW  | Field | Value Id   | Value | Description  |  |  |  |  |  |  |  |  |  |  |  |  |  |  |  |  |  |  |  |  |  |  |  |  |  |  |  |
| A                | RW  | DIR   | Input      | 0     | Pin direction. Same physical register as DIR register                |  |  |  |  |  |  |  |  |  |  |  |  |  |  |  |  |  |  |  |  |  |  |  |  |  |  |  |
|                  |   |       | Output     | 1     | Configure pin as an input pin  |  |  |  |  |  |  |  |  |  |  |  |  |  |  |  |  |  |  |  |  |  |  |  |  |  |  |  |
| B                | RW  | INPUT | Connect    | 0     | Configure pin as an output pin                                       |  |  |  |  |  |  |  |  |  |  |  |  |  |  |  |  |  |  |  |  |  |  |  |  |  |  |  |
|                  |   |       | Disconnect | 1     | Connect or disconnect input buffer                                   |  |  |  |  |  |  |  |  |  |  |  |  |  |  |  |  |  |  |  |  |  |  |  |  |  |  |  |
| C                | RW  | PULL  | Disabled   | 0     | Connect input buffer   |  |  |  |  |  |  |  |  |  |  |  |  |  |  |  |  |  |  |  |  |  |  |  |  |  |  |  |
|                  |   |       | Pulldown   | 1     | Disconnect input buffer  |  |  |  |  |  |  |  |  |  |  |  |  |  |  |  |  |  |  |  |  |  |  |  |  |  |  |  |
|                  |   |       | Pullup     | 3     | Pull configuration   |  |  |  |  |  |  |  |  |  |  |  |  |  |  |  |  |  |  |  |  |  |  |  |  |  |  |  |
| D                | RW  | DRIVE | SOS1       | 0     | No pull  |  |  |  |  |  |  |  |  |  |  |  |  |  |  |  |  |  |  |  |  |  |  |  |  |  |  |  |
|                  |   |       | HOS1       | 1     | Pull down on pin   |  |  |  |  |  |  |  |  |  |  |  |  |  |  |  |  |  |  |  |  |  |  |  |  |  |  |  |
|                  |   |       | SOH1       | 2     | Pull up on pin   |  |  |  |  |  |  |  |  |  |  |  |  |  |  |  |  |  |  |  |  |  |  |  |  |  |  |  |
|                  |   |       | HOH1       | 3     | Drive configuration  |  |  |  |  |  |  |  |  |  |  |  |  |  |  |  |  |  |  |  |  |  |  |  |  |  |  |  |
|                  |   |       | DOS1       | 4     | Standard '0', standard '1'   |  |  |  |  |  |  |  |  |  |  |  |  |  |  |  |  |  |  |  |  |  |  |  |  |  |  |  |
|                  |   |       |            |       | High drive '0', standard '1'   |  |  |  |  |  |  |  |  |  |  |  |  |  |  |  |  |  |  |  |  |  |  |  |  |  |  |  |
|                  |   |       |            |       | Standard '0', high drive '1'   |  |  |  |  |  |  |  |  |  |  |  |  |  |  |  |  |  |  |  |  |  |  |  |  |  |  |  |
|                  |   |       |            |       | High drive '0', high 'drive '1''                                     |  |  |  |  |  |  |  |  |  |  |  |  |  |  |  |  |  |  |  |  |  |  |  |  |  |  |  |
|                  |   |       |            |       | Disconnect '0' standard '1' (normally used for wired-or connections) |  |  |  |  |  |  |  |  |  |  |  |  |  |  |  |  |  |  |  |  |  |  |  |  |  |  |  |

| Bit number       | 31 | 30    | 29       | 28    | 27   | 26 | 25 | 24 | 23 | 22 | 21 | 20 | 19 | 18 | 17 | 16 | 15 | 14 | 13 | 12 | 11 | 10 | 9 | 8 | 7 | 6 | 5 | 4 | 3 | 2 | 1 | 0 |
|------------------|----|-------|----------|-------|--|----|----|----|----|----|----|----|----|----|----|----|----|----|----|----|----|----|---|---|---|---|---|---|---|---|---|---|
| Id               |    |       |          |       |  |    |    |    |    |    |    |    |    |    |    | E  | E  |    |    |    |    | D  | D | D |   |   |   |   | C | C | B | A |
| Reset 0x00000002 | 0  | 0     | 0        | 0     | 0  | 0  | 0  | 0  | 0  | 0  | 0  | 0  | 0  | 0  | 0  | 0  | 0  | 0  | 0  | 0  | 0  | 0  | 0 | 0 | 0 | 0 | 0 | 0 | 0 | 0 | 1 | 0 |
| Id               | RW | Field | Value Id | Value | Description  |    |    |    |    |    |    |    |    |    |    |    |    |    |    |    |    |    |   |   |   |   |   |   |   |   |   |   |
|                  |    |       | DOH1     | 5     | Disconnect '0', high drive '1' (normally used for wired-or connections)  |    |    |    |    |    |    |    |    |    |    |    |    |    |    |    |    |    |   |   |   |   |   |   |   |   |   |   |
|                  |    |       | SOD1     | 6     | Standard '0'. disconnect '1' (normally used for wired-and connections)   |    |    |    |    |    |    |    |    |    |    |    |    |    |    |    |    |    |   |   |   |   |   |   |   |   |   |   |
|                  |    |       | HOD1     | 7     | High drive '0', disconnect '1' (normally used for wired-and connections) |    |    |    |    |    |    |    |    |    |    |    |    |    |    |    |    |    |   |   |   |   |   |   |   |   |   |   |
| E                | RW | SENSE |          |       | Pin sensing mechanism  |    |    |    |    |    |    |    |    |    |    |    |    |    |    |    |    |    |   |   |   |   |   |   |   |   |   |   |
|                  |    |       | Disabled | 0     | Disabled   |    |    |    |    |    |    |    |    |    |    |    |    |    |    |    |    |    |   |   |   |   |   |   |   |   |   |   |
|                  |    |       | High     | 2     | Sense for high level   |    |    |    |    |    |    |    |    |    |    |    |    |    |    |    |    |    |   |   |   |   |   |   |   |   |   |   |
|                  |    |       | Low      | 3     | Sense for low level  |    |    |    |    |    |    |    |    |    |    |    |    |    |    |    |    |    |   |   |   |   |   |   |   |   |   |   |

### 20.3.11 PIN\_CNF[1]

Address offset: 0x704

Configuration of GPIO pins

| Bit number       | 31 | 30    | 29         | 28    | 27   | 26 | 25 | 24 | 23 | 22 | 21 | 20 | 19 | 18 | 17 | 16 | 15 | 14 | 13 | 12 | 11 | 10 | 9 | 8 | 7 | 6 | 5 | 4 | 3 | 2 | 1 | 0 |
|------------------|----|-------|------------|-------|--|----|----|----|----|----|----|----|----|----|----|----|----|----|----|----|----|----|---|---|---|---|---|---|---|---|---|---|
| Id               |    |       |            |       |  |    |    |    |    |    |    |    |    |    |    | E  | E  |    |    |    |    | D  | D | D |   |   |   |   | C | C | B | A |
| Reset 0x00000002 | 0  | 0     | 0          | 0     | 0  | 0  | 0  | 0  | 0  | 0  | 0  | 0  | 0  | 0  | 0  | 0  | 0  | 0  | 0  | 0  | 0  | 0  | 0 | 0 | 0 | 0 | 0 | 0 | 0 | 0 | 1 | 0 |
| Id               | RW | Field | Value Id   | Value | Description  |    |    |    |    |    |    |    |    |    |    |    |    |    |    |    |    |    |   |   |   |   |   |   |   |   |   |   |
| A                | RW | DIR   |            |       | Pin direction. Same physical register as DIR register                    |    |    |    |    |    |    |    |    |    |    |    |    |    |    |    |    |    |   |   |   |   |   |   |   |   |   |   |
|                  |    |       | Input      | 0     | Configure pin as an input pin  |    |    |    |    |    |    |    |    |    |    |    |    |    |    |    |    |    |   |   |   |   |   |   |   |   |   |   |
|                  |    |       | Output     | 1     | Configure pin as an output pin   |    |    |    |    |    |    |    |    |    |    |    |    |    |    |    |    |    |   |   |   |   |   |   |   |   |   |   |
| B                | RW | INPUT |            |       | Connect or disconnect input buffer                                       |    |    |    |    |    |    |    |    |    |    |    |    |    |    |    |    |    |   |   |   |   |   |   |   |   |   |   |
|                  |    |       | Connect    | 0     | Connect input buffer   |    |    |    |    |    |    |    |    |    |    |    |    |    |    |    |    |    |   |   |   |   |   |   |   |   |   |   |
|                  |    |       | Disconnect | 1     | Disconnect input buffer  |    |    |    |    |    |    |    |    |    |    |    |    |    |    |    |    |    |   |   |   |   |   |   |   |   |   |   |
| C                | RW | PULL  |            |       | Pull configuration   |    |    |    |    |    |    |    |    |    |    |    |    |    |    |    |    |    |   |   |   |   |   |   |   |   |   |   |
|                  |    |       | Disabled   | 0     | No pull  |    |    |    |    |    |    |    |    |    |    |    |    |    |    |    |    |    |   |   |   |   |   |   |   |   |   |   |
|                  |    |       | Pulldown   | 1     | Pull down on pin   |    |    |    |    |    |    |    |    |    |    |    |    |    |    |    |    |    |   |   |   |   |   |   |   |   |   |   |
|                  |    |       | Pullup     | 3     | Pull up on pin   |    |    |    |    |    |    |    |    |    |    |    |    |    |    |    |    |    |   |   |   |   |   |   |   |   |   |   |
| D                | RW | DRIVE |            |       | Drive configuration  |    |    |    |    |    |    |    |    |    |    |    |    |    |    |    |    |    |   |   |   |   |   |   |   |   |   |   |
|                  |    |       | SOS1       | 0     | Standard '0', standard '1'   |    |    |    |    |    |    |    |    |    |    |    |    |    |    |    |    |    |   |   |   |   |   |   |   |   |   |   |
|                  |    |       | HOS1       | 1     | High drive '0', standard '1'   |    |    |    |    |    |    |    |    |    |    |    |    |    |    |    |    |    |   |   |   |   |   |   |   |   |   |   |
|                  |    |       | SOH1       | 2     | Standard '0', high drive '1'   |    |    |    |    |    |    |    |    |    |    |    |    |    |    |    |    |    |   |   |   |   |   |   |   |   |   |   |
|                  |    |       | HOH1       | 3     | High drive '0', high 'drive '1''   |    |    |    |    |    |    |    |    |    |    |    |    |    |    |    |    |    |   |   |   |   |   |   |   |   |   |   |
|                  |    |       | DOS1       | 4     | Disconnect '0' standard '1' (normally used for wired-or connections)     |    |    |    |    |    |    |    |    |    |    |    |    |    |    |    |    |    |   |   |   |   |   |   |   |   |   |   |
|                  |    |       | DOH1       | 5     | Disconnect '0', high drive '1' (normally used for wired-or connections)  |    |    |    |    |    |    |    |    |    |    |    |    |    |    |    |    |    |   |   |   |   |   |   |   |   |   |   |
|                  |    |       | SOD1       | 6     | Standard '0'. disconnect '1' (normally used for wired-and connections)   |    |    |    |    |    |    |    |    |    |    |    |    |    |    |    |    |    |   |   |   |   |   |   |   |   |   |   |
|                  |    |       | HOD1       | 7     | High drive '0', disconnect '1' (normally used for wired-and connections) |    |    |    |    |    |    |    |    |    |    |    |    |    |    |    |    |    |   |   |   |   |   |   |   |   |   |   |
| E                | RW | SENSE |            |       | Pin sensing mechanism  |    |    |    |    |    |    |    |    |    |    |    |    |    |    |    |    |    |   |   |   |   |   |   |   |   |   |   |
|                  |    |       | Disabled   | 0     | Disabled   |    |    |    |    |    |    |    |    |    |    |    |    |    |    |    |    |    |   |   |   |   |   |   |   |   |   |   |
|                  |    |       | High       | 2     | Sense for high level   |    |    |    |    |    |    |    |    |    |    |    |    |    |    |    |    |    |   |   |   |   |   |   |   |   |   |   |
|                  |    |       | Low        | 3     | Sense for low level  |    |    |    |    |    |    |    |    |    |    |    |    |    |    |    |    |    |   |   |   |   |   |   |   |   |   |   |

### 20.3.12 PIN\_CNF[2]

Address offset: 0x708

Configuration of GPIO pins

| Bit number       | 31 30 29 28 27 26 25 24 23 22 21 20 19 18 17 16 15 14 13 12 11 10 9 8 7 6 5 4 3 2 1 0 |  |            |       |   |  |  |  |  |  |  |  |  |  |  |   |   |   |  |  |   |   |   |  |  |   |   |   |  |  |  |
|------------------|---|--|------------|-------|---|--|--|--|--|--|--|--|--|--|--|---|---|---|--|--|---|---|---|--|--|---|---|---|--|--|--|
| Id               |   |  |            |       |   |  |  |  |  |  |  |  |  |  |  | E | E | D |  |  | D | D | C |  |  | C | B | A |  |  |  |
| Reset 0x00000002 | 0 1 0           |  |            |       |   |  |  |  |  |  |  |  |  |  |  |   |   |   |  |  |   |   |   |  |  |   |   |   |  |  |  |
| Id               | RW  | Field  | Value Id   | Value | Description   |  |  |  |  |  |  |  |  |  |  |   |   |   |  |  |   |   |   |  |  |   |   |   |  |  |  |
| A                | RW  | DIR  | Input      | 0     | Configure pin as an input pin   |  |  |  |  |  |  |  |  |  |  |   |   |   |  |  |   |   |   |  |  |   |   |   |  |  |  |
|                  |   |  | Output     | 1     | Configure pin as an output pin  |  |  |  |  |  |  |  |  |  |  |   |   |   |  |  |   |   |   |  |  |   |   |   |  |  |  |
| B                | RW  | INPUT  | Connect    | 0     | Connect input buffer  |  |  |  |  |  |  |  |  |  |  |   |   |   |  |  |   |   |   |  |  |   |   |   |  |  |  |
|                  |   |  | Disconnect | 1     | Disconnect input buffer   |  |  |  |  |  |  |  |  |  |  |   |   |   |  |  |   |   |   |  |  |   |   |   |  |  |  |
| C                | RW  | PULL   | Disabled   | 0     | No pull   |  |  |  |  |  |  |  |  |  |  |   |   |   |  |  |   |   |   |  |  |   |   |   |  |  |  |
|                  |   |  | Pulldown   | 1     | Pull down on pin  |  |  |  |  |  |  |  |  |  |  |   |   |   |  |  |   |   |   |  |  |   |   |   |  |  |  |
|                  |   |  | Pullup     | 3     | Pull up on pin  |  |  |  |  |  |  |  |  |  |  |   |   |   |  |  |   |   |   |  |  |   |   |   |  |  |  |
| D                | RW  | DRIVE  | S0S1       | 0     | Standard '0', standard '1'  |  |  |  |  |  |  |  |  |  |  |   |   |   |  |  |   |   |   |  |  |   |   |   |  |  |  |
|                  |   |  | H0S1       | 1     | High drive '0', standard '1'  |  |  |  |  |  |  |  |  |  |  |   |   |   |  |  |   |   |   |  |  |   |   |   |  |  |  |
|                  |   |  | S0H1       | 2     | Standard '0', high drive '1'  |  |  |  |  |  |  |  |  |  |  |   |   |   |  |  |   |   |   |  |  |   |   |   |  |  |  |
|                  |   |  | H0H1       | 3     | High drive '0', high 'drive '1''  |  |  |  |  |  |  |  |  |  |  |   |   |   |  |  |   |   |   |  |  |   |   |   |  |  |  |
|                  |   |  | D0S1       | 4     | Disconnect '0' standard '1' (normally used for wired-or connections)    |  |  |  |  |  |  |  |  |  |  |   |   |   |  |  |   |   |   |  |  |   |   |   |  |  |  |
|                  |   |  | D0H1       | 5     | Disconnect '0', high drive '1' (normally used for wired-or connections) |  |  |  |  |  |  |  |  |  |  |   |   |   |  |  |   |   |   |  |  |   |   |   |  |  |  |
|                  |   |  | S0D1       | 6     | Standard '0'. disconnect '1' (normally used for wired-and connections)  |  |  |  |  |  |  |  |  |  |  |   |   |   |  |  |   |   |   |  |  |   |   |   |  |  |  |
| H0D1             | 7   | High drive '0', disconnect '1' (normally used for wired-and connections) |            |       |   |  |  |  |  |  |  |  |  |  |  |   |   |   |  |  |   |   |   |  |  |   |   |   |  |  |  |
| E                | RW  | SENSE  | Disabled   | 0     | Disabled  |  |  |  |  |  |  |  |  |  |  |   |   |   |  |  |   |   |   |  |  |   |   |   |  |  |  |
|                  |   |  | High       | 2     | Sense for high level  |  |  |  |  |  |  |  |  |  |  |   |   |   |  |  |   |   |   |  |  |   |   |   |  |  |  |
|                  |   |  | Low        | 3     | Sense for low level   |  |  |  |  |  |  |  |  |  |  |   |   |   |  |  |   |   |   |  |  |   |   |   |  |  |  |

### 20.3.13 PIN\_CNF[3]

Address offset: 0x70C

Configuration of GPIO pins

| Bit number       | 31 30 29 28 27 26 25 24 23 22 21 20 19 18 17 16 15 14 13 12 11 10 9 8 7 6 5 4 3 2 1 0 |       |            |       |  |  |  |  |  |  |  |  |  |  |  |   |   |   |  |  |   |   |   |  |  |   |   |   |  |  |  |
|------------------|---|-------|------------|-------|--|--|--|--|--|--|--|--|--|--|--|---|---|---|--|--|---|---|---|--|--|---|---|---|--|--|--|
| Id               |   |       |            |       |  |  |  |  |  |  |  |  |  |  |  | E | E | D |  |  | D | D | C |  |  | C | B | A |  |  |  |
| Reset 0x00000002 | 0 1 0           |       |            |       |  |  |  |  |  |  |  |  |  |  |  |   |   |   |  |  |   |   |   |  |  |   |   |   |  |  |  |
| Id               | RW  | Field | Value Id   | Value | Description  |  |  |  |  |  |  |  |  |  |  |   |   |   |  |  |   |   |   |  |  |   |   |   |  |  |  |
| A                | RW  | DIR   | Input      | 0     | Configure pin as an input pin  |  |  |  |  |  |  |  |  |  |  |   |   |   |  |  |   |   |   |  |  |   |   |   |  |  |  |
|                  |   |       | Output     | 1     | Configure pin as an output pin                                       |  |  |  |  |  |  |  |  |  |  |   |   |   |  |  |   |   |   |  |  |   |   |   |  |  |  |
| B                | RW  | INPUT | Connect    | 0     | Connect input buffer   |  |  |  |  |  |  |  |  |  |  |   |   |   |  |  |   |   |   |  |  |   |   |   |  |  |  |
|                  |   |       | Disconnect | 1     | Disconnect input buffer  |  |  |  |  |  |  |  |  |  |  |   |   |   |  |  |   |   |   |  |  |   |   |   |  |  |  |
| C                | RW  | PULL  | Disabled   | 0     | No pull  |  |  |  |  |  |  |  |  |  |  |   |   |   |  |  |   |   |   |  |  |   |   |   |  |  |  |
|                  |   |       | Pulldown   | 1     | Pull down on pin   |  |  |  |  |  |  |  |  |  |  |   |   |   |  |  |   |   |   |  |  |   |   |   |  |  |  |
|                  |   |       | Pullup     | 3     | Pull up on pin   |  |  |  |  |  |  |  |  |  |  |   |   |   |  |  |   |   |   |  |  |   |   |   |  |  |  |
| D                | RW  | DRIVE | S0S1       | 0     | Standard '0', standard '1'   |  |  |  |  |  |  |  |  |  |  |   |   |   |  |  |   |   |   |  |  |   |   |   |  |  |  |
|                  |   |       | H0S1       | 1     | High drive '0', standard '1'   |  |  |  |  |  |  |  |  |  |  |   |   |   |  |  |   |   |   |  |  |   |   |   |  |  |  |
|                  |   |       | S0H1       | 2     | Standard '0', high drive '1'   |  |  |  |  |  |  |  |  |  |  |   |   |   |  |  |   |   |   |  |  |   |   |   |  |  |  |
|                  |   |       | H0H1       | 3     | High drive '0', high 'drive '1''                                     |  |  |  |  |  |  |  |  |  |  |   |   |   |  |  |   |   |   |  |  |   |   |   |  |  |  |
|                  |   |       | D0S1       | 4     | Disconnect '0' standard '1' (normally used for wired-or connections) |  |  |  |  |  |  |  |  |  |  |   |   |   |  |  |   |   |   |  |  |   |   |   |  |  |  |

| Bit number       | 31 | 30    | 29       | 28    | 27   | 26 | 25 | 24 | 23 | 22 | 21 | 20 | 19 | 18 | 17 | 16 | 15 | 14 | 13 | 12 | 11 | 10 | 9 | 8 | 7 | 6 | 5 | 4 | 3 | 2 | 1 | 0 |
|------------------|----|-------|----------|-------|--|----|----|----|----|----|----|----|----|----|----|----|----|----|----|----|----|----|---|---|---|---|---|---|---|---|---|---|
| Id               |    |       |          |       |  |    |    |    |    |    |    |    | E  | E  |    |    |    |    |    |    | D  | D  | D |   |   |   | C | C | B | A |   |   |
| Reset 0x00000002 | 0  | 0     | 0        | 0     | 0  | 0  | 0  | 0  | 0  | 0  | 0  | 0  | 0  | 0  | 0  | 0  | 0  | 0  | 0  | 0  | 0  | 0  | 0 | 0 | 0 | 0 | 0 | 0 | 0 | 0 | 1 | 0 |
| Id               | RW | Field | Value Id | Value | Description  |    |    |    |    |    |    |    |    |    |    |    |    |    |    |    |    |    |   |   |   |   |   |   |   |   |   |   |
|                  |    |       | DOH1     | 5     | Disconnect '0', high drive '1' (normally used for wired-or connections)  |    |    |    |    |    |    |    |    |    |    |    |    |    |    |    |    |    |   |   |   |   |   |   |   |   |   |   |
|                  |    |       | SOD1     | 6     | Standard '0'. disconnect '1' (normally used for wired-and connections)   |    |    |    |    |    |    |    |    |    |    |    |    |    |    |    |    |    |   |   |   |   |   |   |   |   |   |   |
|                  |    |       | HOD1     | 7     | High drive '0', disconnect '1' (normally used for wired-and connections) |    |    |    |    |    |    |    |    |    |    |    |    |    |    |    |    |    |   |   |   |   |   |   |   |   |   |   |
| E                | RW | SENSE |          |       | Pin sensing mechanism  |    |    |    |    |    |    |    |    |    |    |    |    |    |    |    |    |    |   |   |   |   |   |   |   |   |   |   |
|                  |    |       | Disabled | 0     | Disabled   |    |    |    |    |    |    |    |    |    |    |    |    |    |    |    |    |    |   |   |   |   |   |   |   |   |   |   |
|                  |    |       | High     | 2     | Sense for high level   |    |    |    |    |    |    |    |    |    |    |    |    |    |    |    |    |    |   |   |   |   |   |   |   |   |   |   |
|                  |    |       | Low      | 3     | Sense for low level  |    |    |    |    |    |    |    |    |    |    |    |    |    |    |    |    |    |   |   |   |   |   |   |   |   |   |   |

### 20.3.14 PIN\_CNF[4]

Address offset: 0x710

Configuration of GPIO pins

| Bit number       | 31 | 30    | 29         | 28    | 27   | 26 | 25 | 24 | 23 | 22 | 21 | 20 | 19 | 18 | 17 | 16 | 15 | 14 | 13 | 12 | 11 | 10 | 9 | 8 | 7 | 6 | 5 | 4 | 3 | 2 | 1 | 0 |
|------------------|----|-------|------------|-------|--|----|----|----|----|----|----|----|----|----|----|----|----|----|----|----|----|----|---|---|---|---|---|---|---|---|---|---|
| Id               |    |       |            |       |  |    |    |    |    |    |    |    | E  | E  |    |    |    |    |    |    | D  | D  | D |   |   |   | C | C | B | A |   |   |
| Reset 0x00000002 | 0  | 0     | 0          | 0     | 0  | 0  | 0  | 0  | 0  | 0  | 0  | 0  | 0  | 0  | 0  | 0  | 0  | 0  | 0  | 0  | 0  | 0  | 0 | 0 | 0 | 0 | 0 | 0 | 0 | 0 | 1 | 0 |
| Id               | RW | Field | Value Id   | Value | Description  |    |    |    |    |    |    |    |    |    |    |    |    |    |    |    |    |    |   |   |   |   |   |   |   |   |   |   |
| A                | RW | DIR   |            |       | Pin direction. Same physical register as DIR register                    |    |    |    |    |    |    |    |    |    |    |    |    |    |    |    |    |    |   |   |   |   |   |   |   |   |   |   |
|                  |    |       | Input      | 0     | Configure pin as an input pin  |    |    |    |    |    |    |    |    |    |    |    |    |    |    |    |    |    |   |   |   |   |   |   |   |   |   |   |
|                  |    |       | Output     | 1     | Configure pin as an output pin   |    |    |    |    |    |    |    |    |    |    |    |    |    |    |    |    |    |   |   |   |   |   |   |   |   |   |   |
| B                | RW | INPUT |            |       | Connect or disconnect input buffer                                       |    |    |    |    |    |    |    |    |    |    |    |    |    |    |    |    |    |   |   |   |   |   |   |   |   |   |   |
|                  |    |       | Connect    | 0     | Connect input buffer   |    |    |    |    |    |    |    |    |    |    |    |    |    |    |    |    |    |   |   |   |   |   |   |   |   |   |   |
|                  |    |       | Disconnect | 1     | Disconnect input buffer  |    |    |    |    |    |    |    |    |    |    |    |    |    |    |    |    |    |   |   |   |   |   |   |   |   |   |   |
| C                | RW | PULL  |            |       | Pull configuration   |    |    |    |    |    |    |    |    |    |    |    |    |    |    |    |    |    |   |   |   |   |   |   |   |   |   |   |
|                  |    |       | Disabled   | 0     | No pull  |    |    |    |    |    |    |    |    |    |    |    |    |    |    |    |    |    |   |   |   |   |   |   |   |   |   |   |
|                  |    |       | Pulldown   | 1     | Pull down on pin   |    |    |    |    |    |    |    |    |    |    |    |    |    |    |    |    |    |   |   |   |   |   |   |   |   |   |   |
|                  |    |       | Pullup     | 3     | Pull up on pin   |    |    |    |    |    |    |    |    |    |    |    |    |    |    |    |    |    |   |   |   |   |   |   |   |   |   |   |
| D                | RW | DRIVE |            |       | Drive configuration  |    |    |    |    |    |    |    |    |    |    |    |    |    |    |    |    |    |   |   |   |   |   |   |   |   |   |   |
|                  |    |       | SOS1       | 0     | Standard '0', standard '1'   |    |    |    |    |    |    |    |    |    |    |    |    |    |    |    |    |    |   |   |   |   |   |   |   |   |   |   |
|                  |    |       | HOS1       | 1     | High drive '0', standard '1'   |    |    |    |    |    |    |    |    |    |    |    |    |    |    |    |    |    |   |   |   |   |   |   |   |   |   |   |
|                  |    |       | SOH1       | 2     | Standard '0', high drive '1'   |    |    |    |    |    |    |    |    |    |    |    |    |    |    |    |    |    |   |   |   |   |   |   |   |   |   |   |
|                  |    |       | HOH1       | 3     | High drive '0', high 'drive '1''   |    |    |    |    |    |    |    |    |    |    |    |    |    |    |    |    |    |   |   |   |   |   |   |   |   |   |   |
|                  |    |       | DOS1       | 4     | Disconnect '0' standard '1' (normally used for wired-or connections)     |    |    |    |    |    |    |    |    |    |    |    |    |    |    |    |    |    |   |   |   |   |   |   |   |   |   |   |
|                  |    |       | DOH1       | 5     | Disconnect '0', high drive '1' (normally used for wired-or connections)  |    |    |    |    |    |    |    |    |    |    |    |    |    |    |    |    |    |   |   |   |   |   |   |   |   |   |   |
|                  |    |       | SOD1       | 6     | Standard '0'. disconnect '1' (normally used for wired-and connections)   |    |    |    |    |    |    |    |    |    |    |    |    |    |    |    |    |    |   |   |   |   |   |   |   |   |   |   |
|                  |    |       | HOD1       | 7     | High drive '0', disconnect '1' (normally used for wired-and connections) |    |    |    |    |    |    |    |    |    |    |    |    |    |    |    |    |    |   |   |   |   |   |   |   |   |   |   |
| E                | RW | SENSE |            |       | Pin sensing mechanism  |    |    |    |    |    |    |    |    |    |    |    |    |    |    |    |    |    |   |   |   |   |   |   |   |   |   |   |
|                  |    |       | Disabled   | 0     | Disabled   |    |    |    |    |    |    |    |    |    |    |    |    |    |    |    |    |    |   |   |   |   |   |   |   |   |   |   |
|                  |    |       | High       | 2     | Sense for high level   |    |    |    |    |    |    |    |    |    |    |    |    |    |    |    |    |    |   |   |   |   |   |   |   |   |   |   |
|                  |    |       | Low        | 3     | Sense for low level  |    |    |    |    |    |    |    |    |    |    |    |    |    |    |    |    |    |   |   |   |   |   |   |   |   |   |   |

### 20.3.15 PIN\_CNF[5]

Address offset: 0x714

Configuration of GPIO pins



| Bit number       | 31 30 29 28 27 26 25 24 23 22 21 20 19 18 17 16 15 14 13 12 11 10 9 8 7 6 5 4 3 2 1 0 |       |            |       |  |  |  |  |  |  |  |  |  |  |  |   |   |   |  |  |   |   |   |  |  |   |   |   |  |  |  |
|------------------|---|-------|------------|-------|--|--|--|--|--|--|--|--|--|--|--|---|---|---|--|--|---|---|---|--|--|---|---|---|--|--|--|
| Id               |   |       |            |       |  |  |  |  |  |  |  |  |  |  |  | E | E | D |  |  | D | D | C |  |  | C | B | A |  |  |  |
| Reset 0x00000002 | 0 1 0           |       |            |       |  |  |  |  |  |  |  |  |  |  |  |   |   |   |  |  |   |   |   |  |  |   |   |   |  |  |  |
| Id               | RW  | Field | Value Id   | Value | Description  |  |  |  |  |  |  |  |  |  |  |   |   |   |  |  |   |   |   |  |  |   |   |   |  |  |  |
| A                | RW  | DIR   | Input      | 0     | Configure pin as an input pin  |  |  |  |  |  |  |  |  |  |  |   |   |   |  |  |   |   |   |  |  |   |   |   |  |  |  |
|                  |   |       | Output     | 1     | Configure pin as an output pin   |  |  |  |  |  |  |  |  |  |  |   |   |   |  |  |   |   |   |  |  |   |   |   |  |  |  |
| B                | RW  | INPUT | Connect    | 0     | Connect input buffer   |  |  |  |  |  |  |  |  |  |  |   |   |   |  |  |   |   |   |  |  |   |   |   |  |  |  |
|                  |   |       | Disconnect | 1     | Disconnect input buffer  |  |  |  |  |  |  |  |  |  |  |   |   |   |  |  |   |   |   |  |  |   |   |   |  |  |  |
| C                | RW  | PULL  | Disabled   | 0     | No pull  |  |  |  |  |  |  |  |  |  |  |   |   |   |  |  |   |   |   |  |  |   |   |   |  |  |  |
|                  |   |       | Pulldown   | 1     | Pull down on pin   |  |  |  |  |  |  |  |  |  |  |   |   |   |  |  |   |   |   |  |  |   |   |   |  |  |  |
|                  |   |       | Pullup     | 3     | Pull up on pin   |  |  |  |  |  |  |  |  |  |  |   |   |   |  |  |   |   |   |  |  |   |   |   |  |  |  |
| D                | RW  | DRIVE | S0S1       | 0     | Standard '0', standard '1'   |  |  |  |  |  |  |  |  |  |  |   |   |   |  |  |   |   |   |  |  |   |   |   |  |  |  |
|                  |   |       | H0S1       | 1     | High drive '0', standard '1'   |  |  |  |  |  |  |  |  |  |  |   |   |   |  |  |   |   |   |  |  |   |   |   |  |  |  |
|                  |   |       | S0H1       | 2     | Standard '0', high drive '1'   |  |  |  |  |  |  |  |  |  |  |   |   |   |  |  |   |   |   |  |  |   |   |   |  |  |  |
|                  |   |       | H0H1       | 3     | High drive '0', high 'drive '1''   |  |  |  |  |  |  |  |  |  |  |   |   |   |  |  |   |   |   |  |  |   |   |   |  |  |  |
|                  |   |       | D0S1       | 4     | Disconnect '0' standard '1' (normally used for wired-or connections)     |  |  |  |  |  |  |  |  |  |  |   |   |   |  |  |   |   |   |  |  |   |   |   |  |  |  |
|                  |   |       | D0H1       | 5     | Disconnect '0', high drive '1' (normally used for wired-or connections)  |  |  |  |  |  |  |  |  |  |  |   |   |   |  |  |   |   |   |  |  |   |   |   |  |  |  |
|                  |   |       | S0D1       | 6     | Standard '0'. disconnect '1' (normally used for wired-and connections)   |  |  |  |  |  |  |  |  |  |  |   |   |   |  |  |   |   |   |  |  |   |   |   |  |  |  |
|                  |   |       | H0D1       | 7     | High drive '0', disconnect '1' (normally used for wired-and connections) |  |  |  |  |  |  |  |  |  |  |   |   |   |  |  |   |   |   |  |  |   |   |   |  |  |  |
| E                | RW  | SENSE | Disabled   | 0     | Disabled   |  |  |  |  |  |  |  |  |  |  |   |   |   |  |  |   |   |   |  |  |   |   |   |  |  |  |
|                  |   |       | High       | 2     | Sense for high level   |  |  |  |  |  |  |  |  |  |  |   |   |   |  |  |   |   |   |  |  |   |   |   |  |  |  |
|                  |   |       | Low        | 3     | Sense for low level  |  |  |  |  |  |  |  |  |  |  |   |   |   |  |  |   |   |   |  |  |   |   |   |  |  |  |

### 20.3.16 PIN\_CNF[6]

Address offset: 0x718

Configuration of GPIO pins

| Bit number       | 31 30 29 28 27 26 25 24 23 22 21 20 19 18 17 16 15 14 13 12 11 10 9 8 7 6 5 4 3 2 1 0 |       |            |       |  |  |  |  |  |  |  |  |  |  |  |   |   |   |  |  |   |   |   |  |  |   |   |   |  |  |  |
|------------------|---|-------|------------|-------|--|--|--|--|--|--|--|--|--|--|--|---|---|---|--|--|---|---|---|--|--|---|---|---|--|--|--|
| Id               |   |       |            |       |  |  |  |  |  |  |  |  |  |  |  | E | E | D |  |  | D | D | C |  |  | C | B | A |  |  |  |
| Reset 0x00000002 | 0 1 0           |       |            |       |  |  |  |  |  |  |  |  |  |  |  |   |   |   |  |  |   |   |   |  |  |   |   |   |  |  |  |
| Id               | RW  | Field | Value Id   | Value | Description  |  |  |  |  |  |  |  |  |  |  |   |   |   |  |  |   |   |   |  |  |   |   |   |  |  |  |
| A                | RW  | DIR   | Input      | 0     | Configure pin as an input pin  |  |  |  |  |  |  |  |  |  |  |   |   |   |  |  |   |   |   |  |  |   |   |   |  |  |  |
|                  |   |       | Output     | 1     | Configure pin as an output pin                                       |  |  |  |  |  |  |  |  |  |  |   |   |   |  |  |   |   |   |  |  |   |   |   |  |  |  |
| B                | RW  | INPUT | Connect    | 0     | Connect input buffer   |  |  |  |  |  |  |  |  |  |  |   |   |   |  |  |   |   |   |  |  |   |   |   |  |  |  |
|                  |   |       | Disconnect | 1     | Disconnect input buffer  |  |  |  |  |  |  |  |  |  |  |   |   |   |  |  |   |   |   |  |  |   |   |   |  |  |  |
| C                | RW  | PULL  | Disabled   | 0     | No pull  |  |  |  |  |  |  |  |  |  |  |   |   |   |  |  |   |   |   |  |  |   |   |   |  |  |  |
|                  |   |       | Pulldown   | 1     | Pull down on pin   |  |  |  |  |  |  |  |  |  |  |   |   |   |  |  |   |   |   |  |  |   |   |   |  |  |  |
|                  |   |       | Pullup     | 3     | Pull up on pin   |  |  |  |  |  |  |  |  |  |  |   |   |   |  |  |   |   |   |  |  |   |   |   |  |  |  |
| D                | RW  | DRIVE | S0S1       | 0     | Standard '0', standard '1'   |  |  |  |  |  |  |  |  |  |  |   |   |   |  |  |   |   |   |  |  |   |   |   |  |  |  |
|                  |   |       | H0S1       | 1     | High drive '0', standard '1'   |  |  |  |  |  |  |  |  |  |  |   |   |   |  |  |   |   |   |  |  |   |   |   |  |  |  |
|                  |   |       | S0H1       | 2     | Standard '0', high drive '1'   |  |  |  |  |  |  |  |  |  |  |   |   |   |  |  |   |   |   |  |  |   |   |   |  |  |  |
|                  |   |       | H0H1       | 3     | High drive '0', high 'drive '1''                                     |  |  |  |  |  |  |  |  |  |  |   |   |   |  |  |   |   |   |  |  |   |   |   |  |  |  |
|                  |   |       | D0S1       | 4     | Disconnect '0' standard '1' (normally used for wired-or connections) |  |  |  |  |  |  |  |  |  |  |   |   |   |  |  |   |   |   |  |  |   |   |   |  |  |  |

| Bit number       | 31 | 30    | 29       | 28    | 27   | 26 | 25 | 24 | 23 | 22 | 21 | 20 | 19 | 18 | 17 | 16 | 15 | 14 | 13 | 12 | 11 | 10 | 9 | 8 | 7 | 6 | 5 | 4 | 3 | 2 | 1 | 0 |   |   |   |
|------------------|----|-------|----------|-------|--|----|----|----|----|----|----|----|----|----|----|----|----|----|----|----|----|----|---|---|---|---|---|---|---|---|---|---|---|---|---|
| Id               |    |       |          |       |  |    |    |    |    |    |    |    |    |    | E  | E  |    |    |    |    |    |    | D | D | D |   |   |   |   |   |   | C | C | B | A |
| Reset 0x00000002 | 0  | 0     | 0        | 0     | 0  | 0  | 0  | 0  | 0  | 0  | 0  | 0  | 0  | 0  | 0  | 0  | 0  | 0  | 0  | 0  | 0  | 0  | 0 | 0 | 0 | 0 | 0 | 0 | 0 | 0 | 0 | 1 | 0 |   |   |
| Id               | RW | Field | Value Id | Value | Description  |    |    |    |    |    |    |    |    |    |    |    |    |    |    |    |    |    |   |   |   |   |   |   |   |   |   |   |   |   |   |
|                  |    |       | DOH1     | 5     | Disconnect '0', high drive '1' (normally used for wired-or connections)  |    |    |    |    |    |    |    |    |    |    |    |    |    |    |    |    |    |   |   |   |   |   |   |   |   |   |   |   |   |   |
|                  |    |       | SOD1     | 6     | Standard '0'. disconnect '1' (normally used for wired-and connections)   |    |    |    |    |    |    |    |    |    |    |    |    |    |    |    |    |    |   |   |   |   |   |   |   |   |   |   |   |   |   |
|                  |    |       | HOD1     | 7     | High drive '0', disconnect '1' (normally used for wired-and connections) |    |    |    |    |    |    |    |    |    |    |    |    |    |    |    |    |    |   |   |   |   |   |   |   |   |   |   |   |   |   |
| E                | RW | SENSE |          |       | Pin sensing mechanism  |    |    |    |    |    |    |    |    |    |    |    |    |    |    |    |    |    |   |   |   |   |   |   |   |   |   |   |   |   |   |
|                  |    |       | Disabled | 0     | Disabled   |    |    |    |    |    |    |    |    |    |    |    |    |    |    |    |    |    |   |   |   |   |   |   |   |   |   |   |   |   |   |
|                  |    |       | High     | 2     | Sense for high level   |    |    |    |    |    |    |    |    |    |    |    |    |    |    |    |    |    |   |   |   |   |   |   |   |   |   |   |   |   |   |
|                  |    |       | Low      | 3     | Sense for low level  |    |    |    |    |    |    |    |    |    |    |    |    |    |    |    |    |    |   |   |   |   |   |   |   |   |   |   |   |   |   |

### 20.3.17 PIN\_CNF[7]

Address offset: 0x71C

Configuration of GPIO pins

| Bit number       | 31 | 30    | 29         | 28    | 27   | 26 | 25 | 24 | 23 | 22 | 21 | 20 | 19 | 18 | 17 | 16 | 15 | 14 | 13 | 12 | 11 | 10 | 9 | 8 | 7 | 6 | 5 | 4 | 3 | 2 | 1 | 0 |   |   |   |
|------------------|----|-------|------------|-------|--|----|----|----|----|----|----|----|----|----|----|----|----|----|----|----|----|----|---|---|---|---|---|---|---|---|---|---|---|---|---|
| Id               |    |       |            |       |  |    |    |    |    |    |    |    |    |    | E  | E  |    |    |    |    |    |    | D | D | D |   |   |   |   |   |   | C | C | B | A |
| Reset 0x00000002 | 0  | 0     | 0          | 0     | 0  | 0  | 0  | 0  | 0  | 0  | 0  | 0  | 0  | 0  | 0  | 0  | 0  | 0  | 0  | 0  | 0  | 0  | 0 | 0 | 0 | 0 | 0 | 0 | 0 | 0 | 1 | 0 |   |   |   |
| Id               | RW | Field | Value Id   | Value | Description  |    |    |    |    |    |    |    |    |    |    |    |    |    |    |    |    |    |   |   |   |   |   |   |   |   |   |   |   |   |   |
| A                | RW | DIR   |            |       | Pin direction. Same physical register as DIR register                    |    |    |    |    |    |    |    |    |    |    |    |    |    |    |    |    |    |   |   |   |   |   |   |   |   |   |   |   |   |   |
|                  |    |       | Input      | 0     | Configure pin as an input pin  |    |    |    |    |    |    |    |    |    |    |    |    |    |    |    |    |    |   |   |   |   |   |   |   |   |   |   |   |   |   |
|                  |    |       | Output     | 1     | Configure pin as an output pin   |    |    |    |    |    |    |    |    |    |    |    |    |    |    |    |    |    |   |   |   |   |   |   |   |   |   |   |   |   |   |
| B                | RW | INPUT |            |       | Connect or disconnect input buffer                                       |    |    |    |    |    |    |    |    |    |    |    |    |    |    |    |    |    |   |   |   |   |   |   |   |   |   |   |   |   |   |
|                  |    |       | Connect    | 0     | Connect input buffer   |    |    |    |    |    |    |    |    |    |    |    |    |    |    |    |    |    |   |   |   |   |   |   |   |   |   |   |   |   |   |
|                  |    |       | Disconnect | 1     | Disconnect input buffer  |    |    |    |    |    |    |    |    |    |    |    |    |    |    |    |    |    |   |   |   |   |   |   |   |   |   |   |   |   |   |
| C                | RW | PULL  |            |       | Pull configuration   |    |    |    |    |    |    |    |    |    |    |    |    |    |    |    |    |    |   |   |   |   |   |   |   |   |   |   |   |   |   |
|                  |    |       | Disabled   | 0     | No pull  |    |    |    |    |    |    |    |    |    |    |    |    |    |    |    |    |    |   |   |   |   |   |   |   |   |   |   |   |   |   |
|                  |    |       | Pulldown   | 1     | Pull down on pin   |    |    |    |    |    |    |    |    |    |    |    |    |    |    |    |    |    |   |   |   |   |   |   |   |   |   |   |   |   |   |
|                  |    |       | Pullup     | 3     | Pull up on pin   |    |    |    |    |    |    |    |    |    |    |    |    |    |    |    |    |    |   |   |   |   |   |   |   |   |   |   |   |   |   |
| D                | RW | DRIVE |            |       | Drive configuration  |    |    |    |    |    |    |    |    |    |    |    |    |    |    |    |    |    |   |   |   |   |   |   |   |   |   |   |   |   |   |
|                  |    |       | SOS1       | 0     | Standard '0', standard '1'   |    |    |    |    |    |    |    |    |    |    |    |    |    |    |    |    |    |   |   |   |   |   |   |   |   |   |   |   |   |   |
|                  |    |       | HOS1       | 1     | High drive '0', standard '1'   |    |    |    |    |    |    |    |    |    |    |    |    |    |    |    |    |    |   |   |   |   |   |   |   |   |   |   |   |   |   |
|                  |    |       | SOH1       | 2     | Standard '0', high drive '1'   |    |    |    |    |    |    |    |    |    |    |    |    |    |    |    |    |    |   |   |   |   |   |   |   |   |   |   |   |   |   |
|                  |    |       | HOH1       | 3     | High drive '0', high 'drive '1''   |    |    |    |    |    |    |    |    |    |    |    |    |    |    |    |    |    |   |   |   |   |   |   |   |   |   |   |   |   |   |
|                  |    |       | DOS1       | 4     | Disconnect '0' standard '1' (normally used for wired-or connections)     |    |    |    |    |    |    |    |    |    |    |    |    |    |    |    |    |    |   |   |   |   |   |   |   |   |   |   |   |   |   |
|                  |    |       | DOH1       | 5     | Disconnect '0', high drive '1' (normally used for wired-or connections)  |    |    |    |    |    |    |    |    |    |    |    |    |    |    |    |    |    |   |   |   |   |   |   |   |   |   |   |   |   |   |
|                  |    |       | SOD1       | 6     | Standard '0'. disconnect '1' (normally used for wired-and connections)   |    |    |    |    |    |    |    |    |    |    |    |    |    |    |    |    |    |   |   |   |   |   |   |   |   |   |   |   |   |   |
|                  |    |       | HOD1       | 7     | High drive '0', disconnect '1' (normally used for wired-and connections) |    |    |    |    |    |    |    |    |    |    |    |    |    |    |    |    |    |   |   |   |   |   |   |   |   |   |   |   |   |   |
| E                | RW | SENSE |            |       | Pin sensing mechanism  |    |    |    |    |    |    |    |    |    |    |    |    |    |    |    |    |    |   |   |   |   |   |   |   |   |   |   |   |   |   |
|                  |    |       | Disabled   | 0     | Disabled   |    |    |    |    |    |    |    |    |    |    |    |    |    |    |    |    |    |   |   |   |   |   |   |   |   |   |   |   |   |   |
|                  |    |       | High       | 2     | Sense for high level   |    |    |    |    |    |    |    |    |    |    |    |    |    |    |    |    |    |   |   |   |   |   |   |   |   |   |   |   |   |   |
|                  |    |       | Low        | 3     | Sense for low level  |    |    |    |    |    |    |    |    |    |    |    |    |    |    |    |    |    |   |   |   |   |   |   |   |   |   |   |   |   |   |

### 20.3.18 PIN\_CNF[8]

Address offset: 0x720

Configuration of GPIO pins

| Bit number       | 31 30 29 28 27 26 25 24 23 22 21 20 19 18 17 16 15 14 13 12 11 10 9 8 7 6 5 4 3 2 1 0 |  |            |    |   |             |  |  |  |  |  |  |  |  |  |   |   |   |  |  |   |   |   |  |  |   |   |   |  |  |  |
|------------------|---|--|------------|----|---|-------------|--|--|--|--|--|--|--|--|--|---|---|---|--|--|---|---|---|--|--|---|---|---|--|--|--|
| Id               |   |  |            |    |   |             |  |  |  |  |  |  |  |  |  | E | E | D |  |  | D | D | C |  |  | C | B | A |  |  |  |
| Reset 0x00000002 | 0 1 0         |  |            |    |   |             |  |  |  |  |  |  |  |  |  |   |   |   |  |  |   |   |   |  |  |   |   |   |  |  |  |
| Id               | RW  | Field  | Value      | Id | Value   | Description |  |  |  |  |  |  |  |  |  |   |   |   |  |  |   |   |   |  |  |   |   |   |  |  |  |
| A                | RW  | DIR  | Input      | 0  | Configure pin as an input pin   |             |  |  |  |  |  |  |  |  |  |   |   |   |  |  |   |   |   |  |  |   |   |   |  |  |  |
|                  |   |  | Output     | 1  | Configure pin as an output pin  |             |  |  |  |  |  |  |  |  |  |   |   |   |  |  |   |   |   |  |  |   |   |   |  |  |  |
| B                | RW  | INPUT  | Connect    | 0  | Connect input buffer  |             |  |  |  |  |  |  |  |  |  |   |   |   |  |  |   |   |   |  |  |   |   |   |  |  |  |
|                  |   |  | Disconnect | 1  | Disconnect input buffer   |             |  |  |  |  |  |  |  |  |  |   |   |   |  |  |   |   |   |  |  |   |   |   |  |  |  |
| C                | RW  | PULL   | Disabled   | 0  | No pull   |             |  |  |  |  |  |  |  |  |  |   |   |   |  |  |   |   |   |  |  |   |   |   |  |  |  |
|                  |   |  | Pulldown   | 1  | Pull down on pin  |             |  |  |  |  |  |  |  |  |  |   |   |   |  |  |   |   |   |  |  |   |   |   |  |  |  |
|                  |   |  | Pullup     | 3  | Pull up on pin  |             |  |  |  |  |  |  |  |  |  |   |   |   |  |  |   |   |   |  |  |   |   |   |  |  |  |
| D                | RW  | DRIVE  | S0S1       | 0  | Standard '0', standard '1'  |             |  |  |  |  |  |  |  |  |  |   |   |   |  |  |   |   |   |  |  |   |   |   |  |  |  |
|                  |   |  | H0S1       | 1  | High drive '0', standard '1'  |             |  |  |  |  |  |  |  |  |  |   |   |   |  |  |   |   |   |  |  |   |   |   |  |  |  |
|                  |   |  | S0H1       | 2  | Standard '0', high drive '1'  |             |  |  |  |  |  |  |  |  |  |   |   |   |  |  |   |   |   |  |  |   |   |   |  |  |  |
|                  |   |  | H0H1       | 3  | High drive '0', high 'drive '1''  |             |  |  |  |  |  |  |  |  |  |   |   |   |  |  |   |   |   |  |  |   |   |   |  |  |  |
|                  |   |  | D0S1       | 4  | Disconnect '0' standard '1' (normally used for wired-or connections)    |             |  |  |  |  |  |  |  |  |  |   |   |   |  |  |   |   |   |  |  |   |   |   |  |  |  |
|                  |   |  | D0H1       | 5  | Disconnect '0', high drive '1' (normally used for wired-or connections) |             |  |  |  |  |  |  |  |  |  |   |   |   |  |  |   |   |   |  |  |   |   |   |  |  |  |
|                  |   |  | S0D1       | 6  | Standard '0'. disconnect '1' (normally used for wired-and connections)  |             |  |  |  |  |  |  |  |  |  |   |   |   |  |  |   |   |   |  |  |   |   |   |  |  |  |
| H0D1             | 7   | High drive '0', disconnect '1' (normally used for wired-and connections) |            |    |   |             |  |  |  |  |  |  |  |  |  |   |   |   |  |  |   |   |   |  |  |   |   |   |  |  |  |
| E                | RW  | SENSE  | Disabled   | 0  | Disabled  |             |  |  |  |  |  |  |  |  |  |   |   |   |  |  |   |   |   |  |  |   |   |   |  |  |  |
|                  |   |  | High       | 2  | Sense for high level  |             |  |  |  |  |  |  |  |  |  |   |   |   |  |  |   |   |   |  |  |   |   |   |  |  |  |
|                  |   |  | Low        | 3  | Sense for low level   |             |  |  |  |  |  |  |  |  |  |   |   |   |  |  |   |   |   |  |  |   |   |   |  |  |  |

### 20.3.19 PIN\_CNF[9]

Address offset: 0x724

Configuration of GPIO pins

| Bit number       | 31 30 29 28 27 26 25 24 23 22 21 20 19 18 17 16 15 14 13 12 11 10 9 8 7 6 5 4 3 2 1 0 |       |            |    |  |             |  |  |  |  |  |  |  |  |  |   |   |   |  |  |   |   |   |  |  |   |   |   |  |  |  |
|------------------|---|-------|------------|----|--|-------------|--|--|--|--|--|--|--|--|--|---|---|---|--|--|---|---|---|--|--|---|---|---|--|--|--|
| Id               |   |       |            |    |  |             |  |  |  |  |  |  |  |  |  | E | E | D |  |  | D | D | C |  |  | C | B | A |  |  |  |
| Reset 0x00000002 | 0 1 0         |       |            |    |  |             |  |  |  |  |  |  |  |  |  |   |   |   |  |  |   |   |   |  |  |   |   |   |  |  |  |
| Id               | RW  | Field | Value      | Id | Value  | Description |  |  |  |  |  |  |  |  |  |   |   |   |  |  |   |   |   |  |  |   |   |   |  |  |  |
| A                | RW  | DIR   | Input      | 0  | Configure pin as an input pin  |             |  |  |  |  |  |  |  |  |  |   |   |   |  |  |   |   |   |  |  |   |   |   |  |  |  |
|                  |   |       | Output     | 1  | Configure pin as an output pin                                       |             |  |  |  |  |  |  |  |  |  |   |   |   |  |  |   |   |   |  |  |   |   |   |  |  |  |
| B                | RW  | INPUT | Connect    | 0  | Connect input buffer   |             |  |  |  |  |  |  |  |  |  |   |   |   |  |  |   |   |   |  |  |   |   |   |  |  |  |
|                  |   |       | Disconnect | 1  | Disconnect input buffer  |             |  |  |  |  |  |  |  |  |  |   |   |   |  |  |   |   |   |  |  |   |   |   |  |  |  |
| C                | RW  | PULL  | Disabled   | 0  | No pull  |             |  |  |  |  |  |  |  |  |  |   |   |   |  |  |   |   |   |  |  |   |   |   |  |  |  |
|                  |   |       | Pulldown   | 1  | Pull down on pin   |             |  |  |  |  |  |  |  |  |  |   |   |   |  |  |   |   |   |  |  |   |   |   |  |  |  |
|                  |   |       | Pullup     | 3  | Pull up on pin   |             |  |  |  |  |  |  |  |  |  |   |   |   |  |  |   |   |   |  |  |   |   |   |  |  |  |
| D                | RW  | DRIVE | S0S1       | 0  | Standard '0', standard '1'   |             |  |  |  |  |  |  |  |  |  |   |   |   |  |  |   |   |   |  |  |   |   |   |  |  |  |
|                  |   |       | H0S1       | 1  | High drive '0', standard '1'   |             |  |  |  |  |  |  |  |  |  |   |   |   |  |  |   |   |   |  |  |   |   |   |  |  |  |
|                  |   |       | S0H1       | 2  | Standard '0', high drive '1'   |             |  |  |  |  |  |  |  |  |  |   |   |   |  |  |   |   |   |  |  |   |   |   |  |  |  |
|                  |   |       | H0H1       | 3  | High drive '0', high 'drive '1''                                     |             |  |  |  |  |  |  |  |  |  |   |   |   |  |  |   |   |   |  |  |   |   |   |  |  |  |
|                  |   |       | D0S1       | 4  | Disconnect '0' standard '1' (normally used for wired-or connections) |             |  |  |  |  |  |  |  |  |  |   |   |   |  |  |   |   |   |  |  |   |   |   |  |  |  |

| Bit number       | 31 30 29 28 27 26 25 24 23 22 21 20 19 18 17 16 15 14 13 12 11 10 9 8 7 6 5 4 3 2 1 0 |       |          |       |  |  |  |  |  |  |  |  |  |  |  |   |   |  |  |  |  |  |  |   |   |   |  |  |  |  |  |  |   |   |   |   |
|------------------|---|-------|----------|-------|--|--|--|--|--|--|--|--|--|--|--|---|---|--|--|--|--|--|--|---|---|---|--|--|--|--|--|--|---|---|---|---|
| Id               |   |       |          |       |  |  |  |  |  |  |  |  |  |  |  | E | E |  |  |  |  |  |  | D | D | D |  |  |  |  |  |  | C | C | B | A |
| Reset 0x00000002 | 0 1 0         |       |          |       |  |  |  |  |  |  |  |  |  |  |  |   |   |  |  |  |  |  |  |   |   |   |  |  |  |  |  |  |   |   |   |   |
| Id               | RW  | Field | Value Id | Value | Description  |  |  |  |  |  |  |  |  |  |  |   |   |  |  |  |  |  |  |   |   |   |  |  |  |  |  |  |   |   |   |   |
|                  |   |       | DOH1     | 5     | Disconnect '0', high drive '1' (normally used for wired-or connections)  |  |  |  |  |  |  |  |  |  |  |   |   |  |  |  |  |  |  |   |   |   |  |  |  |  |  |  |   |   |   |   |
|                  |   |       | SOD1     | 6     | Standard '0'. disconnect '1' (normally used for wired-and connections)   |  |  |  |  |  |  |  |  |  |  |   |   |  |  |  |  |  |  |   |   |   |  |  |  |  |  |  |   |   |   |   |
|                  |   |       | HOD1     | 7     | High drive '0', disconnect '1' (normally used for wired-and connections) |  |  |  |  |  |  |  |  |  |  |   |   |  |  |  |  |  |  |   |   |   |  |  |  |  |  |  |   |   |   |   |
| E                | RW  | SENSE |          |       | Pin sensing mechanism  |  |  |  |  |  |  |  |  |  |  |   |   |  |  |  |  |  |  |   |   |   |  |  |  |  |  |  |   |   |   |   |
|                  |   |       | Disabled | 0     | Disabled   |  |  |  |  |  |  |  |  |  |  |   |   |  |  |  |  |  |  |   |   |   |  |  |  |  |  |  |   |   |   |   |
|                  |   |       | High     | 2     | Sense for high level   |  |  |  |  |  |  |  |  |  |  |   |   |  |  |  |  |  |  |   |   |   |  |  |  |  |  |  |   |   |   |   |
|                  |   |       | Low      | 3     | Sense for low level  |  |  |  |  |  |  |  |  |  |  |   |   |  |  |  |  |  |  |   |   |   |  |  |  |  |  |  |   |   |   |   |

### 20.3.20 PIN\_CNF[10]

Address offset: 0x728

Configuration of GPIO pins

| Bit number       | 31 30 29 28 27 26 25 24 23 22 21 20 19 18 17 16 15 14 13 12 11 10 9 8 7 6 5 4 3 2 1 0 |       |            |       |  |  |  |  |  |  |  |  |  |  |  |   |   |  |  |  |  |  |  |   |   |   |  |  |  |  |  |  |   |   |   |   |
|------------------|---|-------|------------|-------|--|--|--|--|--|--|--|--|--|--|--|---|---|--|--|--|--|--|--|---|---|---|--|--|--|--|--|--|---|---|---|---|
| Id               |   |       |            |       |  |  |  |  |  |  |  |  |  |  |  | E | E |  |  |  |  |  |  | D | D | D |  |  |  |  |  |  | C | C | B | A |
| Reset 0x00000002 | 0 1 0         |       |            |       |  |  |  |  |  |  |  |  |  |  |  |   |   |  |  |  |  |  |  |   |   |   |  |  |  |  |  |  |   |   |   |   |
| Id               | RW  | Field | Value Id   | Value | Description  |  |  |  |  |  |  |  |  |  |  |   |   |  |  |  |  |  |  |   |   |   |  |  |  |  |  |  |   |   |   |   |
| A                | RW  | DIR   |            |       | Pin direction. Same physical register as DIR register                    |  |  |  |  |  |  |  |  |  |  |   |   |  |  |  |  |  |  |   |   |   |  |  |  |  |  |  |   |   |   |   |
|                  |   |       | Input      | 0     | Configure pin as an input pin  |  |  |  |  |  |  |  |  |  |  |   |   |  |  |  |  |  |  |   |   |   |  |  |  |  |  |  |   |   |   |   |
|                  |   |       | Output     | 1     | Configure pin as an output pin   |  |  |  |  |  |  |  |  |  |  |   |   |  |  |  |  |  |  |   |   |   |  |  |  |  |  |  |   |   |   |   |
| B                | RW  | INPUT |            |       | Connect or disconnect input buffer                                       |  |  |  |  |  |  |  |  |  |  |   |   |  |  |  |  |  |  |   |   |   |  |  |  |  |  |  |   |   |   |   |
|                  |   |       | Connect    | 0     | Connect input buffer   |  |  |  |  |  |  |  |  |  |  |   |   |  |  |  |  |  |  |   |   |   |  |  |  |  |  |  |   |   |   |   |
|                  |   |       | Disconnect | 1     | Disconnect input buffer  |  |  |  |  |  |  |  |  |  |  |   |   |  |  |  |  |  |  |   |   |   |  |  |  |  |  |  |   |   |   |   |
| C                | RW  | PULL  |            |       | Pull configuration   |  |  |  |  |  |  |  |  |  |  |   |   |  |  |  |  |  |  |   |   |   |  |  |  |  |  |  |   |   |   |   |
|                  |   |       | Disabled   | 0     | No pull  |  |  |  |  |  |  |  |  |  |  |   |   |  |  |  |  |  |  |   |   |   |  |  |  |  |  |  |   |   |   |   |
|                  |   |       | Pulldown   | 1     | Pull down on pin   |  |  |  |  |  |  |  |  |  |  |   |   |  |  |  |  |  |  |   |   |   |  |  |  |  |  |  |   |   |   |   |
|                  |   |       | Pullup     | 3     | Pull up on pin   |  |  |  |  |  |  |  |  |  |  |   |   |  |  |  |  |  |  |   |   |   |  |  |  |  |  |  |   |   |   |   |
| D                | RW  | DRIVE |            |       | Drive configuration  |  |  |  |  |  |  |  |  |  |  |   |   |  |  |  |  |  |  |   |   |   |  |  |  |  |  |  |   |   |   |   |
|                  |   |       | SOS1       | 0     | Standard '0', standard '1'   |  |  |  |  |  |  |  |  |  |  |   |   |  |  |  |  |  |  |   |   |   |  |  |  |  |  |  |   |   |   |   |
|                  |   |       | HOS1       | 1     | High drive '0', standard '1'   |  |  |  |  |  |  |  |  |  |  |   |   |  |  |  |  |  |  |   |   |   |  |  |  |  |  |  |   |   |   |   |
|                  |   |       | SOH1       | 2     | Standard '0', high drive '1'   |  |  |  |  |  |  |  |  |  |  |   |   |  |  |  |  |  |  |   |   |   |  |  |  |  |  |  |   |   |   |   |
|                  |   |       | HOH1       | 3     | High drive '0', high 'drive '1''   |  |  |  |  |  |  |  |  |  |  |   |   |  |  |  |  |  |  |   |   |   |  |  |  |  |  |  |   |   |   |   |
|                  |   |       | DOS1       | 4     | Disconnect '0' standard '1' (normally used for wired-or connections)     |  |  |  |  |  |  |  |  |  |  |   |   |  |  |  |  |  |  |   |   |   |  |  |  |  |  |  |   |   |   |   |
|                  |   |       | DOH1       | 5     | Disconnect '0', high drive '1' (normally used for wired-or connections)  |  |  |  |  |  |  |  |  |  |  |   |   |  |  |  |  |  |  |   |   |   |  |  |  |  |  |  |   |   |   |   |
|                  |   |       | SOD1       | 6     | Standard '0'. disconnect '1' (normally used for wired-and connections)   |  |  |  |  |  |  |  |  |  |  |   |   |  |  |  |  |  |  |   |   |   |  |  |  |  |  |  |   |   |   |   |
|                  |   |       | HOD1       | 7     | High drive '0', disconnect '1' (normally used for wired-and connections) |  |  |  |  |  |  |  |  |  |  |   |   |  |  |  |  |  |  |   |   |   |  |  |  |  |  |  |   |   |   |   |
| E                | RW  | SENSE |            |       | Pin sensing mechanism  |  |  |  |  |  |  |  |  |  |  |   |   |  |  |  |  |  |  |   |   |   |  |  |  |  |  |  |   |   |   |   |
|                  |   |       | Disabled   | 0     | Disabled   |  |  |  |  |  |  |  |  |  |  |   |   |  |  |  |  |  |  |   |   |   |  |  |  |  |  |  |   |   |   |   |
|                  |   |       | High       | 2     | Sense for high level   |  |  |  |  |  |  |  |  |  |  |   |   |  |  |  |  |  |  |   |   |   |  |  |  |  |  |  |   |   |   |   |
|                  |   |       | Low        | 3     | Sense for low level  |  |  |  |  |  |  |  |  |  |  |   |   |  |  |  |  |  |  |   |   |   |  |  |  |  |  |  |   |   |   |   |

### 20.3.21 PIN\_CNF[11]

Address offset: 0x72C

Configuration of GPIO pins

| Bit number       | 31 30 29 28 27 26 25 24 23 22 21 20 19 18 17 16 15 14 13 12 11 10 9 8 7 6 5 4 3 2 1 0 |       |            |       |  |  |  |  |  |  |  |  |  |  |  |   |   |   |  |  |   |   |   |  |  |   |   |   |  |  |  |
|------------------|---|-------|------------|-------|--|--|--|--|--|--|--|--|--|--|--|---|---|---|--|--|---|---|---|--|--|---|---|---|--|--|--|
| Id               |   |       |            |       |  |  |  |  |  |  |  |  |  |  |  | E | E | D |  |  | D | D | C |  |  | C | B | A |  |  |  |
| Reset 0x00000002 | 0 1 0           |       |            |       |  |  |  |  |  |  |  |  |  |  |  |   |   |   |  |  |   |   |   |  |  |   |   |   |  |  |  |
| Id               | RW  | Field | Value Id   | Value | Description  |  |  |  |  |  |  |  |  |  |  |   |   |   |  |  |   |   |   |  |  |   |   |   |  |  |  |
| A                | RW  | DIR   | Input      | 0     | Configure pin as an input pin  |  |  |  |  |  |  |  |  |  |  |   |   |   |  |  |   |   |   |  |  |   |   |   |  |  |  |
|                  |   |       | Output     | 1     | Configure pin as an output pin   |  |  |  |  |  |  |  |  |  |  |   |   |   |  |  |   |   |   |  |  |   |   |   |  |  |  |
| B                | RW  | INPUT | Connect    | 0     | Connect input buffer   |  |  |  |  |  |  |  |  |  |  |   |   |   |  |  |   |   |   |  |  |   |   |   |  |  |  |
|                  |   |       | Disconnect | 1     | Disconnect input buffer  |  |  |  |  |  |  |  |  |  |  |   |   |   |  |  |   |   |   |  |  |   |   |   |  |  |  |
| C                | RW  | PULL  | Disabled   | 0     | No pull  |  |  |  |  |  |  |  |  |  |  |   |   |   |  |  |   |   |   |  |  |   |   |   |  |  |  |
|                  |   |       | Pulldown   | 1     | Pull down on pin   |  |  |  |  |  |  |  |  |  |  |   |   |   |  |  |   |   |   |  |  |   |   |   |  |  |  |
|                  |   |       | Pullup     | 3     | Pull up on pin   |  |  |  |  |  |  |  |  |  |  |   |   |   |  |  |   |   |   |  |  |   |   |   |  |  |  |
| D                | RW  | DRIVE | S0S1       | 0     | Standard '0', standard '1'   |  |  |  |  |  |  |  |  |  |  |   |   |   |  |  |   |   |   |  |  |   |   |   |  |  |  |
|                  |   |       | H0S1       | 1     | High drive '0', standard '1'   |  |  |  |  |  |  |  |  |  |  |   |   |   |  |  |   |   |   |  |  |   |   |   |  |  |  |
|                  |   |       | S0H1       | 2     | Standard '0', high drive '1'   |  |  |  |  |  |  |  |  |  |  |   |   |   |  |  |   |   |   |  |  |   |   |   |  |  |  |
|                  |   |       | H0H1       | 3     | High drive '0', high 'drive '1''   |  |  |  |  |  |  |  |  |  |  |   |   |   |  |  |   |   |   |  |  |   |   |   |  |  |  |
|                  |   |       | D0S1       | 4     | Disconnect '0' standard '1' (normally used for wired-or connections)     |  |  |  |  |  |  |  |  |  |  |   |   |   |  |  |   |   |   |  |  |   |   |   |  |  |  |
|                  |   |       | D0H1       | 5     | Disconnect '0', high drive '1' (normally used for wired-or connections)  |  |  |  |  |  |  |  |  |  |  |   |   |   |  |  |   |   |   |  |  |   |   |   |  |  |  |
|                  |   |       | S0D1       | 6     | Standard '0'. disconnect '1' (normally used for wired-and connections)   |  |  |  |  |  |  |  |  |  |  |   |   |   |  |  |   |   |   |  |  |   |   |   |  |  |  |
|                  |   |       | H0D1       | 7     | High drive '0', disconnect '1' (normally used for wired-and connections) |  |  |  |  |  |  |  |  |  |  |   |   |   |  |  |   |   |   |  |  |   |   |   |  |  |  |
| E                | RW  | SENSE | Disabled   | 0     | Disabled   |  |  |  |  |  |  |  |  |  |  |   |   |   |  |  |   |   |   |  |  |   |   |   |  |  |  |
|                  |   |       | High       | 2     | Sense for high level   |  |  |  |  |  |  |  |  |  |  |   |   |   |  |  |   |   |   |  |  |   |   |   |  |  |  |
|                  |   |       | Low        | 3     | Sense for low level  |  |  |  |  |  |  |  |  |  |  |   |   |   |  |  |   |   |   |  |  |   |   |   |  |  |  |

### 20.3.22 PIN\_CNF[12]

Address offset: 0x730

Configuration of GPIO pins

| Bit number       | 31 30 29 28 27 26 25 24 23 22 21 20 19 18 17 16 15 14 13 12 11 10 9 8 7 6 5 4 3 2 1 0 |       |            |       |  |  |  |  |  |  |  |  |  |  |  |   |   |   |  |  |   |   |   |  |  |   |   |   |  |  |  |
|------------------|---|-------|------------|-------|--|--|--|--|--|--|--|--|--|--|--|---|---|---|--|--|---|---|---|--|--|---|---|---|--|--|--|
| Id               |   |       |            |       |  |  |  |  |  |  |  |  |  |  |  | E | E | D |  |  | D | D | C |  |  | C | B | A |  |  |  |
| Reset 0x00000002 | 0 1 0           |       |            |       |  |  |  |  |  |  |  |  |  |  |  |   |   |   |  |  |   |   |   |  |  |   |   |   |  |  |  |
| Id               | RW  | Field | Value Id   | Value | Description  |  |  |  |  |  |  |  |  |  |  |   |   |   |  |  |   |   |   |  |  |   |   |   |  |  |  |
| A                | RW  | DIR   | Input      | 0     | Configure pin as an input pin  |  |  |  |  |  |  |  |  |  |  |   |   |   |  |  |   |   |   |  |  |   |   |   |  |  |  |
|                  |   |       | Output     | 1     | Configure pin as an output pin                                       |  |  |  |  |  |  |  |  |  |  |   |   |   |  |  |   |   |   |  |  |   |   |   |  |  |  |
| B                | RW  | INPUT | Connect    | 0     | Connect input buffer   |  |  |  |  |  |  |  |  |  |  |   |   |   |  |  |   |   |   |  |  |   |   |   |  |  |  |
|                  |   |       | Disconnect | 1     | Disconnect input buffer  |  |  |  |  |  |  |  |  |  |  |   |   |   |  |  |   |   |   |  |  |   |   |   |  |  |  |
| C                | RW  | PULL  | Disabled   | 0     | No pull  |  |  |  |  |  |  |  |  |  |  |   |   |   |  |  |   |   |   |  |  |   |   |   |  |  |  |
|                  |   |       | Pulldown   | 1     | Pull down on pin   |  |  |  |  |  |  |  |  |  |  |   |   |   |  |  |   |   |   |  |  |   |   |   |  |  |  |
|                  |   |       | Pullup     | 3     | Pull up on pin   |  |  |  |  |  |  |  |  |  |  |   |   |   |  |  |   |   |   |  |  |   |   |   |  |  |  |
| D                | RW  | DRIVE | S0S1       | 0     | Standard '0', standard '1'   |  |  |  |  |  |  |  |  |  |  |   |   |   |  |  |   |   |   |  |  |   |   |   |  |  |  |
|                  |   |       | H0S1       | 1     | High drive '0', standard '1'   |  |  |  |  |  |  |  |  |  |  |   |   |   |  |  |   |   |   |  |  |   |   |   |  |  |  |
|                  |   |       | S0H1       | 2     | Standard '0', high drive '1'   |  |  |  |  |  |  |  |  |  |  |   |   |   |  |  |   |   |   |  |  |   |   |   |  |  |  |
|                  |   |       | H0H1       | 3     | High drive '0', high 'drive '1''                                     |  |  |  |  |  |  |  |  |  |  |   |   |   |  |  |   |   |   |  |  |   |   |   |  |  |  |
|                  |   |       | D0S1       | 4     | Disconnect '0' standard '1' (normally used for wired-or connections) |  |  |  |  |  |  |  |  |  |  |   |   |   |  |  |   |   |   |  |  |   |   |   |  |  |  |

| Bit number       | 31 | 30    | 29       | 28    | 27   | 26 | 25 | 24 | 23 | 22 | 21 | 20 | 19 | 18 | 17 | 16 | 15 | 14 | 13 | 12 | 11 | 10 | 9 | 8 | 7 | 6 | 5 | 4 | 3 | 2 | 1 | 0 |
|------------------|----|-------|----------|-------|--|----|----|----|----|----|----|----|----|----|----|----|----|----|----|----|----|----|---|---|---|---|---|---|---|---|---|---|
| Id               |    |       |          |       |  |    |    |    |    |    |    |    |    | E  | E  |    |    |    |    |    |    | D  | D | D |   |   |   |   | C | C | B | A |
| Reset 0x00000002 | 0  | 0     | 0        | 0     | 0  | 0  | 0  | 0  | 0  | 0  | 0  | 0  | 0  | 0  | 0  | 0  | 0  | 0  | 0  | 0  | 0  | 0  | 0 | 0 | 0 | 0 | 0 | 0 | 0 | 0 | 1 | 0 |
| Id               | RW | Field | Value Id | Value | Description  |    |    |    |    |    |    |    |    |    |    |    |    |    |    |    |    |    |   |   |   |   |   |   |   |   |   |   |
|                  |    |       | DOH1     | 5     | Disconnect '0', high drive '1' (normally used for wired-or connections)  |    |    |    |    |    |    |    |    |    |    |    |    |    |    |    |    |    |   |   |   |   |   |   |   |   |   |   |
|                  |    |       | SOD1     | 6     | Standard '0'. disconnect '1' (normally used for wired-and connections)   |    |    |    |    |    |    |    |    |    |    |    |    |    |    |    |    |    |   |   |   |   |   |   |   |   |   |   |
|                  |    |       | HOD1     | 7     | High drive '0', disconnect '1' (normally used for wired-and connections) |    |    |    |    |    |    |    |    |    |    |    |    |    |    |    |    |    |   |   |   |   |   |   |   |   |   |   |
| E                | RW | SENSE |          |       | Pin sensing mechanism  |    |    |    |    |    |    |    |    |    |    |    |    |    |    |    |    |    |   |   |   |   |   |   |   |   |   |   |
|                  |    |       | Disabled | 0     | Disabled   |    |    |    |    |    |    |    |    |    |    |    |    |    |    |    |    |    |   |   |   |   |   |   |   |   |   |   |
|                  |    |       | High     | 2     | Sense for high level   |    |    |    |    |    |    |    |    |    |    |    |    |    |    |    |    |    |   |   |   |   |   |   |   |   |   |   |
|                  |    |       | Low      | 3     | Sense for low level  |    |    |    |    |    |    |    |    |    |    |    |    |    |    |    |    |    |   |   |   |   |   |   |   |   |   |   |

### 20.3.23 PIN\_CNF[13]

Address offset: 0x734

Configuration of GPIO pins

| Bit number       | 31 | 30    | 29         | 28    | 27   | 26 | 25 | 24 | 23 | 22 | 21 | 20 | 19 | 18 | 17 | 16 | 15 | 14 | 13 | 12 | 11 | 10 | 9 | 8 | 7 | 6 | 5 | 4 | 3 | 2 | 1 | 0 |
|------------------|----|-------|------------|-------|--|----|----|----|----|----|----|----|----|----|----|----|----|----|----|----|----|----|---|---|---|---|---|---|---|---|---|---|
| Id               |    |       |            |       |  |    |    |    |    |    |    |    |    | E  | E  |    |    |    |    |    |    | D  | D | D |   |   |   |   | C | C | B | A |
| Reset 0x00000002 | 0  | 0     | 0          | 0     | 0  | 0  | 0  | 0  | 0  | 0  | 0  | 0  | 0  | 0  | 0  | 0  | 0  | 0  | 0  | 0  | 0  | 0  | 0 | 0 | 0 | 0 | 0 | 0 | 0 | 0 | 1 | 0 |
| Id               | RW | Field | Value Id   | Value | Description  |    |    |    |    |    |    |    |    |    |    |    |    |    |    |    |    |    |   |   |   |   |   |   |   |   |   |   |
| A                | RW | DIR   |            |       | Pin direction. Same physical register as DIR register                    |    |    |    |    |    |    |    |    |    |    |    |    |    |    |    |    |    |   |   |   |   |   |   |   |   |   |   |
|                  |    |       | Input      | 0     | Configure pin as an input pin  |    |    |    |    |    |    |    |    |    |    |    |    |    |    |    |    |    |   |   |   |   |   |   |   |   |   |   |
|                  |    |       | Output     | 1     | Configure pin as an output pin   |    |    |    |    |    |    |    |    |    |    |    |    |    |    |    |    |    |   |   |   |   |   |   |   |   |   |   |
| B                | RW | INPUT |            |       | Connect or disconnect input buffer                                       |    |    |    |    |    |    |    |    |    |    |    |    |    |    |    |    |    |   |   |   |   |   |   |   |   |   |   |
|                  |    |       | Connect    | 0     | Connect input buffer   |    |    |    |    |    |    |    |    |    |    |    |    |    |    |    |    |    |   |   |   |   |   |   |   |   |   |   |
|                  |    |       | Disconnect | 1     | Disconnect input buffer  |    |    |    |    |    |    |    |    |    |    |    |    |    |    |    |    |    |   |   |   |   |   |   |   |   |   |   |
| C                | RW | PULL  |            |       | Pull configuration   |    |    |    |    |    |    |    |    |    |    |    |    |    |    |    |    |    |   |   |   |   |   |   |   |   |   |   |
|                  |    |       | Disabled   | 0     | No pull  |    |    |    |    |    |    |    |    |    |    |    |    |    |    |    |    |    |   |   |   |   |   |   |   |   |   |   |
|                  |    |       | Pulldown   | 1     | Pull down on pin   |    |    |    |    |    |    |    |    |    |    |    |    |    |    |    |    |    |   |   |   |   |   |   |   |   |   |   |
|                  |    |       | Pullup     | 3     | Pull up on pin   |    |    |    |    |    |    |    |    |    |    |    |    |    |    |    |    |    |   |   |   |   |   |   |   |   |   |   |
| D                | RW | DRIVE |            |       | Drive configuration  |    |    |    |    |    |    |    |    |    |    |    |    |    |    |    |    |    |   |   |   |   |   |   |   |   |   |   |
|                  |    |       | SOS1       | 0     | Standard '0', standard '1'   |    |    |    |    |    |    |    |    |    |    |    |    |    |    |    |    |    |   |   |   |   |   |   |   |   |   |   |
|                  |    |       | HOS1       | 1     | High drive '0', standard '1'   |    |    |    |    |    |    |    |    |    |    |    |    |    |    |    |    |    |   |   |   |   |   |   |   |   |   |   |
|                  |    |       | SOH1       | 2     | Standard '0', high drive '1'   |    |    |    |    |    |    |    |    |    |    |    |    |    |    |    |    |    |   |   |   |   |   |   |   |   |   |   |
|                  |    |       | HOH1       | 3     | High drive '0', high 'drive '1''   |    |    |    |    |    |    |    |    |    |    |    |    |    |    |    |    |    |   |   |   |   |   |   |   |   |   |   |
|                  |    |       | DOS1       | 4     | Disconnect '0' standard '1' (normally used for wired-or connections)     |    |    |    |    |    |    |    |    |    |    |    |    |    |    |    |    |    |   |   |   |   |   |   |   |   |   |   |
|                  |    |       | DOH1       | 5     | Disconnect '0', high drive '1' (normally used for wired-or connections)  |    |    |    |    |    |    |    |    |    |    |    |    |    |    |    |    |    |   |   |   |   |   |   |   |   |   |   |
|                  |    |       | SOD1       | 6     | Standard '0'. disconnect '1' (normally used for wired-and connections)   |    |    |    |    |    |    |    |    |    |    |    |    |    |    |    |    |    |   |   |   |   |   |   |   |   |   |   |
|                  |    |       | HOD1       | 7     | High drive '0', disconnect '1' (normally used for wired-and connections) |    |    |    |    |    |    |    |    |    |    |    |    |    |    |    |    |    |   |   |   |   |   |   |   |   |   |   |
| E                | RW | SENSE |            |       | Pin sensing mechanism  |    |    |    |    |    |    |    |    |    |    |    |    |    |    |    |    |    |   |   |   |   |   |   |   |   |   |   |
|                  |    |       | Disabled   | 0     | Disabled   |    |    |    |    |    |    |    |    |    |    |    |    |    |    |    |    |    |   |   |   |   |   |   |   |   |   |   |
|                  |    |       | High       | 2     | Sense for high level   |    |    |    |    |    |    |    |    |    |    |    |    |    |    |    |    |    |   |   |   |   |   |   |   |   |   |   |
|                  |    |       | Low        | 3     | Sense for low level  |    |    |    |    |    |    |    |    |    |    |    |    |    |    |    |    |    |   |   |   |   |   |   |   |   |   |   |

### 20.3.24 PIN\_CNF[14]

Address offset: 0x738

Configuration of GPIO pins

| Bit number       | 31 30 29 28 27 26 25 24 23 22 21 20 19 18 17 16 15 14 13 12 11 10 9 8 7 6 5 4 3 2 1 0 |  |            |    |   |             |  |  |  |  |  |  |  |  |  |   |   |   |  |  |   |   |   |  |  |   |   |   |  |  |  |
|------------------|---|--|------------|----|---|-------------|--|--|--|--|--|--|--|--|--|---|---|---|--|--|---|---|---|--|--|---|---|---|--|--|--|
| Id               |   |  |            |    |   |             |  |  |  |  |  |  |  |  |  | E | E | D |  |  | D | D | C |  |  | C | B | A |  |  |  |
| Reset 0x00000002 | 0 1 0           |  |            |    |   |             |  |  |  |  |  |  |  |  |  |   |   |   |  |  |   |   |   |  |  |   |   |   |  |  |  |
| Id               | RW  | Field  | Value      | Id | Value   | Description |  |  |  |  |  |  |  |  |  |   |   |   |  |  |   |   |   |  |  |   |   |   |  |  |  |
| A                | RW  | DIR  | Input      | 0  | Configure pin as an input pin   |             |  |  |  |  |  |  |  |  |  |   |   |   |  |  |   |   |   |  |  |   |   |   |  |  |  |
|                  |   |  | Output     | 1  | Configure pin as an output pin  |             |  |  |  |  |  |  |  |  |  |   |   |   |  |  |   |   |   |  |  |   |   |   |  |  |  |
| B                | RW  | INPUT  | Connect    | 0  | Connect input buffer  |             |  |  |  |  |  |  |  |  |  |   |   |   |  |  |   |   |   |  |  |   |   |   |  |  |  |
|                  |   |  | Disconnect | 1  | Disconnect input buffer   |             |  |  |  |  |  |  |  |  |  |   |   |   |  |  |   |   |   |  |  |   |   |   |  |  |  |
| C                | RW  | PULL   | Disabled   | 0  | No pull   |             |  |  |  |  |  |  |  |  |  |   |   |   |  |  |   |   |   |  |  |   |   |   |  |  |  |
|                  |   |  | Pulldown   | 1  | Pull down on pin  |             |  |  |  |  |  |  |  |  |  |   |   |   |  |  |   |   |   |  |  |   |   |   |  |  |  |
|                  |   |  | Pullup     | 3  | Pull up on pin  |             |  |  |  |  |  |  |  |  |  |   |   |   |  |  |   |   |   |  |  |   |   |   |  |  |  |
| D                | RW  | DRIVE  | S0S1       | 0  | Standard '0', standard '1'  |             |  |  |  |  |  |  |  |  |  |   |   |   |  |  |   |   |   |  |  |   |   |   |  |  |  |
|                  |   |  | H0S1       | 1  | High drive '0', standard '1'  |             |  |  |  |  |  |  |  |  |  |   |   |   |  |  |   |   |   |  |  |   |   |   |  |  |  |
|                  |   |  | S0H1       | 2  | Standard '0', high drive '1'  |             |  |  |  |  |  |  |  |  |  |   |   |   |  |  |   |   |   |  |  |   |   |   |  |  |  |
|                  |   |  | H0H1       | 3  | High drive '0', high 'drive '1''  |             |  |  |  |  |  |  |  |  |  |   |   |   |  |  |   |   |   |  |  |   |   |   |  |  |  |
|                  |   |  | D0S1       | 4  | Disconnect '0' standard '1' (normally used for wired-or connections)    |             |  |  |  |  |  |  |  |  |  |   |   |   |  |  |   |   |   |  |  |   |   |   |  |  |  |
|                  |   |  | D0H1       | 5  | Disconnect '0', high drive '1' (normally used for wired-or connections) |             |  |  |  |  |  |  |  |  |  |   |   |   |  |  |   |   |   |  |  |   |   |   |  |  |  |
|                  |   |  | S0D1       | 6  | Standard '0'. disconnect '1' (normally used for wired-and connections)  |             |  |  |  |  |  |  |  |  |  |   |   |   |  |  |   |   |   |  |  |   |   |   |  |  |  |
| H0D1             | 7   | High drive '0', disconnect '1' (normally used for wired-and connections) |            |    |   |             |  |  |  |  |  |  |  |  |  |   |   |   |  |  |   |   |   |  |  |   |   |   |  |  |  |
| E                | RW  | SENSE  | Disabled   | 0  | Disabled  |             |  |  |  |  |  |  |  |  |  |   |   |   |  |  |   |   |   |  |  |   |   |   |  |  |  |
|                  |   |  | High       | 2  | Sense for high level  |             |  |  |  |  |  |  |  |  |  |   |   |   |  |  |   |   |   |  |  |   |   |   |  |  |  |
|                  |   |  | Low        | 3  | Sense for low level   |             |  |  |  |  |  |  |  |  |  |   |   |   |  |  |   |   |   |  |  |   |   |   |  |  |  |

### 20.3.25 PIN\_CNF[15]

Address offset: 0x73C

Configuration of GPIO pins

| Bit number       | 31 30 29 28 27 26 25 24 23 22 21 20 19 18 17 16 15 14 13 12 11 10 9 8 7 6 5 4 3 2 1 0 |       |            |    |  |             |  |  |  |  |  |  |  |  |  |   |   |   |  |  |   |   |   |  |  |   |   |   |  |  |  |
|------------------|---|-------|------------|----|--|-------------|--|--|--|--|--|--|--|--|--|---|---|---|--|--|---|---|---|--|--|---|---|---|--|--|--|
| Id               |   |       |            |    |  |             |  |  |  |  |  |  |  |  |  | E | E | D |  |  | D | D | C |  |  | C | B | A |  |  |  |
| Reset 0x00000002 | 0 1 0           |       |            |    |  |             |  |  |  |  |  |  |  |  |  |   |   |   |  |  |   |   |   |  |  |   |   |   |  |  |  |
| Id               | RW  | Field | Value      | Id | Value  | Description |  |  |  |  |  |  |  |  |  |   |   |   |  |  |   |   |   |  |  |   |   |   |  |  |  |
| A                | RW  | DIR   | Input      | 0  | Configure pin as an input pin  |             |  |  |  |  |  |  |  |  |  |   |   |   |  |  |   |   |   |  |  |   |   |   |  |  |  |
|                  |   |       | Output     | 1  | Configure pin as an output pin                                       |             |  |  |  |  |  |  |  |  |  |   |   |   |  |  |   |   |   |  |  |   |   |   |  |  |  |
| B                | RW  | INPUT | Connect    | 0  | Connect input buffer   |             |  |  |  |  |  |  |  |  |  |   |   |   |  |  |   |   |   |  |  |   |   |   |  |  |  |
|                  |   |       | Disconnect | 1  | Disconnect input buffer  |             |  |  |  |  |  |  |  |  |  |   |   |   |  |  |   |   |   |  |  |   |   |   |  |  |  |
| C                | RW  | PULL  | Disabled   | 0  | No pull  |             |  |  |  |  |  |  |  |  |  |   |   |   |  |  |   |   |   |  |  |   |   |   |  |  |  |
|                  |   |       | Pulldown   | 1  | Pull down on pin   |             |  |  |  |  |  |  |  |  |  |   |   |   |  |  |   |   |   |  |  |   |   |   |  |  |  |
|                  |   |       | Pullup     | 3  | Pull up on pin   |             |  |  |  |  |  |  |  |  |  |   |   |   |  |  |   |   |   |  |  |   |   |   |  |  |  |
| D                | RW  | DRIVE | S0S1       | 0  | Standard '0', standard '1'   |             |  |  |  |  |  |  |  |  |  |   |   |   |  |  |   |   |   |  |  |   |   |   |  |  |  |
|                  |   |       | H0S1       | 1  | High drive '0', standard '1'   |             |  |  |  |  |  |  |  |  |  |   |   |   |  |  |   |   |   |  |  |   |   |   |  |  |  |
|                  |   |       | S0H1       | 2  | Standard '0', high drive '1'   |             |  |  |  |  |  |  |  |  |  |   |   |   |  |  |   |   |   |  |  |   |   |   |  |  |  |
|                  |   |       | H0H1       | 3  | High drive '0', high 'drive '1''                                     |             |  |  |  |  |  |  |  |  |  |   |   |   |  |  |   |   |   |  |  |   |   |   |  |  |  |
|                  |   |       | D0S1       | 4  | Disconnect '0' standard '1' (normally used for wired-or connections) |             |  |  |  |  |  |  |  |  |  |   |   |   |  |  |   |   |   |  |  |   |   |   |  |  |  |

| Bit number       | 31 | 30    | 29       | 28    | 27   | 26 | 25 | 24 | 23 | 22 | 21 | 20 | 19 | 18 | 17 | 16 | 15 | 14 | 13 | 12 | 11 | 10 | 9 | 8 | 7 | 6 | 5 | 4 | 3 | 2 | 1 | 0 |   |   |   |
|------------------|----|-------|----------|-------|--|----|----|----|----|----|----|----|----|----|----|----|----|----|----|----|----|----|---|---|---|---|---|---|---|---|---|---|---|---|---|
| Id               |    |       |          |       |  |    |    |    |    |    |    |    |    |    |    | E  | E  |    |    |    |    |    |   | D | D | D |   |   |   |   |   | C | C | B | A |
| Reset 0x00000002 | 0  | 0     | 0        | 0     | 0  | 0  | 0  | 0  | 0  | 0  | 0  | 0  | 0  | 0  | 0  | 0  | 0  | 0  | 0  | 0  | 0  | 0  | 0 | 0 | 0 | 0 | 0 | 0 | 0 | 0 | 0 | 1 | 0 |   |   |
| Id               | RW | Field | Value Id | Value | Description  |    |    |    |    |    |    |    |    |    |    |    |    |    |    |    |    |    |   |   |   |   |   |   |   |   |   |   |   |   |   |
|                  |    |       | DOH1     | 5     | Disconnect '0', high drive '1' (normally used for wired-or connections)  |    |    |    |    |    |    |    |    |    |    |    |    |    |    |    |    |    |   |   |   |   |   |   |   |   |   |   |   |   |   |
|                  |    |       | SOD1     | 6     | Standard '0'. disconnect '1' (normally used for wired-and connections)   |    |    |    |    |    |    |    |    |    |    |    |    |    |    |    |    |    |   |   |   |   |   |   |   |   |   |   |   |   |   |
|                  |    |       | HOD1     | 7     | High drive '0', disconnect '1' (normally used for wired-and connections) |    |    |    |    |    |    |    |    |    |    |    |    |    |    |    |    |    |   |   |   |   |   |   |   |   |   |   |   |   |   |
| E                | RW | SENSE |          |       | Pin sensing mechanism  |    |    |    |    |    |    |    |    |    |    |    |    |    |    |    |    |    |   |   |   |   |   |   |   |   |   |   |   |   |   |
|                  |    |       | Disabled | 0     | Disabled   |    |    |    |    |    |    |    |    |    |    |    |    |    |    |    |    |    |   |   |   |   |   |   |   |   |   |   |   |   |   |
|                  |    |       | High     | 2     | Sense for high level   |    |    |    |    |    |    |    |    |    |    |    |    |    |    |    |    |    |   |   |   |   |   |   |   |   |   |   |   |   |   |
|                  |    |       | Low      | 3     | Sense for low level  |    |    |    |    |    |    |    |    |    |    |    |    |    |    |    |    |    |   |   |   |   |   |   |   |   |   |   |   |   |   |

### 20.3.26 PIN\_CNF[16]

Address offset: 0x740

Configuration of GPIO pins

| Bit number       | 31 | 30    | 29         | 28    | 27   | 26 | 25 | 24 | 23 | 22 | 21 | 20 | 19 | 18 | 17 | 16 | 15 | 14 | 13 | 12 | 11 | 10 | 9 | 8 | 7 | 6 | 5 | 4 | 3 | 2 | 1 | 0 |   |   |   |   |
|------------------|----|-------|------------|-------|--|----|----|----|----|----|----|----|----|----|----|----|----|----|----|----|----|----|---|---|---|---|---|---|---|---|---|---|---|---|---|---|
| Id               |    |       |            |       |  |    |    |    |    |    |    |    |    |    |    | E  | E  |    |    |    |    |    |   |   |   | D | D | D |   |   |   |   | C | C | B | A |
| Reset 0x00000002 | 0  | 0     | 0          | 0     | 0  | 0  | 0  | 0  | 0  | 0  | 0  | 0  | 0  | 0  | 0  | 0  | 0  | 0  | 0  | 0  | 0  | 0  | 0 | 0 | 0 | 0 | 0 | 0 | 0 | 0 | 0 | 1 | 0 |   |   |   |
| Id               | RW | Field | Value Id   | Value | Description  |    |    |    |    |    |    |    |    |    |    |    |    |    |    |    |    |    |   |   |   |   |   |   |   |   |   |   |   |   |   |   |
| A                | RW | DIR   |            |       | Pin direction. Same physical register as DIR register                    |    |    |    |    |    |    |    |    |    |    |    |    |    |    |    |    |    |   |   |   |   |   |   |   |   |   |   |   |   |   |   |
|                  |    |       | Input      | 0     | Configure pin as an input pin  |    |    |    |    |    |    |    |    |    |    |    |    |    |    |    |    |    |   |   |   |   |   |   |   |   |   |   |   |   |   |   |
|                  |    |       | Output     | 1     | Configure pin as an output pin   |    |    |    |    |    |    |    |    |    |    |    |    |    |    |    |    |    |   |   |   |   |   |   |   |   |   |   |   |   |   |   |
| B                | RW | INPUT |            |       | Connect or disconnect input buffer                                       |    |    |    |    |    |    |    |    |    |    |    |    |    |    |    |    |    |   |   |   |   |   |   |   |   |   |   |   |   |   |   |
|                  |    |       | Connect    | 0     | Connect input buffer   |    |    |    |    |    |    |    |    |    |    |    |    |    |    |    |    |    |   |   |   |   |   |   |   |   |   |   |   |   |   |   |
|                  |    |       | Disconnect | 1     | Disconnect input buffer  |    |    |    |    |    |    |    |    |    |    |    |    |    |    |    |    |    |   |   |   |   |   |   |   |   |   |   |   |   |   |   |
| C                | RW | PULL  |            |       | Pull configuration   |    |    |    |    |    |    |    |    |    |    |    |    |    |    |    |    |    |   |   |   |   |   |   |   |   |   |   |   |   |   |   |
|                  |    |       | Disabled   | 0     | No pull  |    |    |    |    |    |    |    |    |    |    |    |    |    |    |    |    |    |   |   |   |   |   |   |   |   |   |   |   |   |   |   |
|                  |    |       | Pulldown   | 1     | Pull down on pin   |    |    |    |    |    |    |    |    |    |    |    |    |    |    |    |    |    |   |   |   |   |   |   |   |   |   |   |   |   |   |   |
|                  |    |       | Pullup     | 3     | Pull up on pin   |    |    |    |    |    |    |    |    |    |    |    |    |    |    |    |    |    |   |   |   |   |   |   |   |   |   |   |   |   |   |   |
| D                | RW | DRIVE |            |       | Drive configuration  |    |    |    |    |    |    |    |    |    |    |    |    |    |    |    |    |    |   |   |   |   |   |   |   |   |   |   |   |   |   |   |
|                  |    |       | SOS1       | 0     | Standard '0', standard '1'   |    |    |    |    |    |    |    |    |    |    |    |    |    |    |    |    |    |   |   |   |   |   |   |   |   |   |   |   |   |   |   |
|                  |    |       | HOS1       | 1     | High drive '0', standard '1'   |    |    |    |    |    |    |    |    |    |    |    |    |    |    |    |    |    |   |   |   |   |   |   |   |   |   |   |   |   |   |   |
|                  |    |       | SOH1       | 2     | Standard '0', high drive '1'   |    |    |    |    |    |    |    |    |    |    |    |    |    |    |    |    |    |   |   |   |   |   |   |   |   |   |   |   |   |   |   |
|                  |    |       | HOH1       | 3     | High drive '0', high 'drive '1''   |    |    |    |    |    |    |    |    |    |    |    |    |    |    |    |    |    |   |   |   |   |   |   |   |   |   |   |   |   |   |   |
|                  |    |       | DOS1       | 4     | Disconnect '0' standard '1' (normally used for wired-or connections)     |    |    |    |    |    |    |    |    |    |    |    |    |    |    |    |    |    |   |   |   |   |   |   |   |   |   |   |   |   |   |   |
|                  |    |       | DOH1       | 5     | Disconnect '0', high drive '1' (normally used for wired-or connections)  |    |    |    |    |    |    |    |    |    |    |    |    |    |    |    |    |    |   |   |   |   |   |   |   |   |   |   |   |   |   |   |
|                  |    |       | SOD1       | 6     | Standard '0'. disconnect '1' (normally used for wired-and connections)   |    |    |    |    |    |    |    |    |    |    |    |    |    |    |    |    |    |   |   |   |   |   |   |   |   |   |   |   |   |   |   |
|                  |    |       | HOD1       | 7     | High drive '0', disconnect '1' (normally used for wired-and connections) |    |    |    |    |    |    |    |    |    |    |    |    |    |    |    |    |    |   |   |   |   |   |   |   |   |   |   |   |   |   |   |
| E                | RW | SENSE |            |       | Pin sensing mechanism  |    |    |    |    |    |    |    |    |    |    |    |    |    |    |    |    |    |   |   |   |   |   |   |   |   |   |   |   |   |   |   |
|                  |    |       | Disabled   | 0     | Disabled   |    |    |    |    |    |    |    |    |    |    |    |    |    |    |    |    |    |   |   |   |   |   |   |   |   |   |   |   |   |   |   |
|                  |    |       | High       | 2     | Sense for high level   |    |    |    |    |    |    |    |    |    |    |    |    |    |    |    |    |    |   |   |   |   |   |   |   |   |   |   |   |   |   |   |
|                  |    |       | Low        | 3     | Sense for low level  |    |    |    |    |    |    |    |    |    |    |    |    |    |    |    |    |    |   |   |   |   |   |   |   |   |   |   |   |   |   |   |

### 20.3.27 PIN\_CNF[17]

Address offset: 0x744

Configuration of GPIO pins



| Bit number       | 31 30 29 28 27 26 25 24 23 22 21 20 19 18 17 16 15 14 13 12 11 10 9 8 7 6 5 4 3 2 1 0 |  |            |       |   |  |  |  |  |  |  |  |  |  |  |   |   |   |  |  |   |   |   |  |  |   |   |   |  |  |  |
|------------------|---|--|------------|-------|---|--|--|--|--|--|--|--|--|--|--|---|---|---|--|--|---|---|---|--|--|---|---|---|--|--|--|
| Id               |   |  |            |       |   |  |  |  |  |  |  |  |  |  |  | E | E | D |  |  | D | D | C |  |  | C | B | A |  |  |  |
| Reset 0x00000002 | 0 1 0           |  |            |       |   |  |  |  |  |  |  |  |  |  |  |   |   |   |  |  |   |   |   |  |  |   |   |   |  |  |  |
| Id               | RW  | Field  | Value Id   | Value | Description   |  |  |  |  |  |  |  |  |  |  |   |   |   |  |  |   |   |   |  |  |   |   |   |  |  |  |
| A                | RW  | DIR  | Input      | 0     | Configure pin as an input pin   |  |  |  |  |  |  |  |  |  |  |   |   |   |  |  |   |   |   |  |  |   |   |   |  |  |  |
|                  |   |  | Output     | 1     | Configure pin as an output pin  |  |  |  |  |  |  |  |  |  |  |   |   |   |  |  |   |   |   |  |  |   |   |   |  |  |  |
| B                | RW  | INPUT  | Connect    | 0     | Connect input buffer  |  |  |  |  |  |  |  |  |  |  |   |   |   |  |  |   |   |   |  |  |   |   |   |  |  |  |
|                  |   |  | Disconnect | 1     | Disconnect input buffer   |  |  |  |  |  |  |  |  |  |  |   |   |   |  |  |   |   |   |  |  |   |   |   |  |  |  |
| C                | RW  | PULL   | Disabled   | 0     | No pull   |  |  |  |  |  |  |  |  |  |  |   |   |   |  |  |   |   |   |  |  |   |   |   |  |  |  |
|                  |   |  | Pulldown   | 1     | Pull down on pin  |  |  |  |  |  |  |  |  |  |  |   |   |   |  |  |   |   |   |  |  |   |   |   |  |  |  |
|                  |   |  | Pullup     | 3     | Pull up on pin  |  |  |  |  |  |  |  |  |  |  |   |   |   |  |  |   |   |   |  |  |   |   |   |  |  |  |
| D                | RW  | DRIVE  | S0S1       | 0     | Standard '0', standard '1'  |  |  |  |  |  |  |  |  |  |  |   |   |   |  |  |   |   |   |  |  |   |   |   |  |  |  |
|                  |   |  | H0S1       | 1     | High drive '0', standard '1'  |  |  |  |  |  |  |  |  |  |  |   |   |   |  |  |   |   |   |  |  |   |   |   |  |  |  |
|                  |   |  | S0H1       | 2     | Standard '0', high drive '1'  |  |  |  |  |  |  |  |  |  |  |   |   |   |  |  |   |   |   |  |  |   |   |   |  |  |  |
|                  |   |  | H0H1       | 3     | High drive '0', high 'drive '1''  |  |  |  |  |  |  |  |  |  |  |   |   |   |  |  |   |   |   |  |  |   |   |   |  |  |  |
|                  |   |  | D0S1       | 4     | Disconnect '0' standard '1' (normally used for wired-or connections)    |  |  |  |  |  |  |  |  |  |  |   |   |   |  |  |   |   |   |  |  |   |   |   |  |  |  |
|                  |   |  | D0H1       | 5     | Disconnect '0', high drive '1' (normally used for wired-or connections) |  |  |  |  |  |  |  |  |  |  |   |   |   |  |  |   |   |   |  |  |   |   |   |  |  |  |
|                  |   |  | S0D1       | 6     | Standard '0'. disconnect '1' (normally used for wired-and connections)  |  |  |  |  |  |  |  |  |  |  |   |   |   |  |  |   |   |   |  |  |   |   |   |  |  |  |
| H0D1             | 7   | High drive '0', disconnect '1' (normally used for wired-and connections) |            |       |   |  |  |  |  |  |  |  |  |  |  |   |   |   |  |  |   |   |   |  |  |   |   |   |  |  |  |
| E                | RW  | SENSE  | Disabled   | 0     | Disabled  |  |  |  |  |  |  |  |  |  |  |   |   |   |  |  |   |   |   |  |  |   |   |   |  |  |  |
|                  |   |  | High       | 2     | Sense for high level  |  |  |  |  |  |  |  |  |  |  |   |   |   |  |  |   |   |   |  |  |   |   |   |  |  |  |
|                  |   |  | Low        | 3     | Sense for low level   |  |  |  |  |  |  |  |  |  |  |   |   |   |  |  |   |   |   |  |  |   |   |   |  |  |  |

### 20.3.28 PIN\_CNF[18]

Address offset: 0x748

Configuration of GPIO pins

| Bit number       | 31 30 29 28 27 26 25 24 23 22 21 20 19 18 17 16 15 14 13 12 11 10 9 8 7 6 5 4 3 2 1 0 |       |            |       |  |  |  |  |  |  |  |  |  |  |  |   |   |   |  |  |   |   |   |  |  |   |   |   |  |  |  |
|------------------|---|-------|------------|-------|--|--|--|--|--|--|--|--|--|--|--|---|---|---|--|--|---|---|---|--|--|---|---|---|--|--|--|
| Id               |   |       |            |       |  |  |  |  |  |  |  |  |  |  |  | E | E | D |  |  | D | D | C |  |  | C | B | A |  |  |  |
| Reset 0x00000002 | 0 1 0           |       |            |       |  |  |  |  |  |  |  |  |  |  |  |   |   |   |  |  |   |   |   |  |  |   |   |   |  |  |  |
| Id               | RW  | Field | Value Id   | Value | Description  |  |  |  |  |  |  |  |  |  |  |   |   |   |  |  |   |   |   |  |  |   |   |   |  |  |  |
| A                | RW  | DIR   | Input      | 0     | Configure pin as an input pin  |  |  |  |  |  |  |  |  |  |  |   |   |   |  |  |   |   |   |  |  |   |   |   |  |  |  |
|                  |   |       | Output     | 1     | Configure pin as an output pin                                       |  |  |  |  |  |  |  |  |  |  |   |   |   |  |  |   |   |   |  |  |   |   |   |  |  |  |
| B                | RW  | INPUT | Connect    | 0     | Connect input buffer   |  |  |  |  |  |  |  |  |  |  |   |   |   |  |  |   |   |   |  |  |   |   |   |  |  |  |
|                  |   |       | Disconnect | 1     | Disconnect input buffer  |  |  |  |  |  |  |  |  |  |  |   |   |   |  |  |   |   |   |  |  |   |   |   |  |  |  |
| C                | RW  | PULL  | Disabled   | 0     | No pull  |  |  |  |  |  |  |  |  |  |  |   |   |   |  |  |   |   |   |  |  |   |   |   |  |  |  |
|                  |   |       | Pulldown   | 1     | Pull down on pin   |  |  |  |  |  |  |  |  |  |  |   |   |   |  |  |   |   |   |  |  |   |   |   |  |  |  |
|                  |   |       | Pullup     | 3     | Pull up on pin   |  |  |  |  |  |  |  |  |  |  |   |   |   |  |  |   |   |   |  |  |   |   |   |  |  |  |
| D                | RW  | DRIVE | S0S1       | 0     | Standard '0', standard '1'   |  |  |  |  |  |  |  |  |  |  |   |   |   |  |  |   |   |   |  |  |   |   |   |  |  |  |
|                  |   |       | H0S1       | 1     | High drive '0', standard '1'   |  |  |  |  |  |  |  |  |  |  |   |   |   |  |  |   |   |   |  |  |   |   |   |  |  |  |
|                  |   |       | S0H1       | 2     | Standard '0', high drive '1'   |  |  |  |  |  |  |  |  |  |  |   |   |   |  |  |   |   |   |  |  |   |   |   |  |  |  |
|                  |   |       | H0H1       | 3     | High drive '0', high 'drive '1''                                     |  |  |  |  |  |  |  |  |  |  |   |   |   |  |  |   |   |   |  |  |   |   |   |  |  |  |
|                  |   |       | D0S1       | 4     | Disconnect '0' standard '1' (normally used for wired-or connections) |  |  |  |  |  |  |  |  |  |  |   |   |   |  |  |   |   |   |  |  |   |   |   |  |  |  |

| Bit number       | 31 30 29 28 27 26 25 24 23 22 21 20 19 18 17 16 15 14 13 12 11 10 9 8 7 6 5 4 3 2 1 0 |       |          |       |  |  |  |  |  |  |  |  |  |  |  |   |   |  |  |  |   |   |   |  |  |  |   |   |   |   |  |
|------------------|---|-------|----------|-------|--|--|--|--|--|--|--|--|--|--|--|---|---|--|--|--|---|---|---|--|--|--|---|---|---|---|--|
| Id               |   |       |          |       |  |  |  |  |  |  |  |  |  |  |  | E | E |  |  |  | D | D | D |  |  |  | C | C | B | A |  |
| Reset 0x00000002 | 0 1 0           |       |          |       |  |  |  |  |  |  |  |  |  |  |  |   |   |  |  |  |   |   |   |  |  |  |   |   |   |   |  |
| Id               | RW  | Field | Value Id | Value | Description  |  |  |  |  |  |  |  |  |  |  |   |   |  |  |  |   |   |   |  |  |  |   |   |   |   |  |
|                  |   |       | DOH1     | 5     | Disconnect '0', high drive '1' (normally used for wired-or connections)  |  |  |  |  |  |  |  |  |  |  |   |   |  |  |  |   |   |   |  |  |  |   |   |   |   |  |
|                  |   |       | SOD1     | 6     | Standard '0'. disconnect '1' (normally used for wired-and connections)   |  |  |  |  |  |  |  |  |  |  |   |   |  |  |  |   |   |   |  |  |  |   |   |   |   |  |
|                  |   |       | HOD1     | 7     | High drive '0', disconnect '1' (normally used for wired-and connections) |  |  |  |  |  |  |  |  |  |  |   |   |  |  |  |   |   |   |  |  |  |   |   |   |   |  |
| E                | RW  | SENSE |          |       | Pin sensing mechanism  |  |  |  |  |  |  |  |  |  |  |   |   |  |  |  |   |   |   |  |  |  |   |   |   |   |  |
|                  |   |       | Disabled | 0     | Disabled   |  |  |  |  |  |  |  |  |  |  |   |   |  |  |  |   |   |   |  |  |  |   |   |   |   |  |
|                  |   |       | High     | 2     | Sense for high level   |  |  |  |  |  |  |  |  |  |  |   |   |  |  |  |   |   |   |  |  |  |   |   |   |   |  |
|                  |   |       | Low      | 3     | Sense for low level  |  |  |  |  |  |  |  |  |  |  |   |   |  |  |  |   |   |   |  |  |  |   |   |   |   |  |

### 20.3.29 PIN\_CNF[19]

Address offset: 0x74C

Configuration of GPIO pins

| Bit number       | 31 30 29 28 27 26 25 24 23 22 21 20 19 18 17 16 15 14 13 12 11 10 9 8 7 6 5 4 3 2 1 0 |       |            |       |  |  |  |  |  |  |  |  |  |  |  |   |   |  |  |  |   |   |   |  |  |  |   |   |   |   |  |
|------------------|---|-------|------------|-------|--|--|--|--|--|--|--|--|--|--|--|---|---|--|--|--|---|---|---|--|--|--|---|---|---|---|--|
| Id               |   |       |            |       |  |  |  |  |  |  |  |  |  |  |  | E | E |  |  |  | D | D | D |  |  |  | C | C | B | A |  |
| Reset 0x00000002 | 0 1 0           |       |            |       |  |  |  |  |  |  |  |  |  |  |  |   |   |  |  |  |   |   |   |  |  |  |   |   |   |   |  |
| Id               | RW  | Field | Value Id   | Value | Description  |  |  |  |  |  |  |  |  |  |  |   |   |  |  |  |   |   |   |  |  |  |   |   |   |   |  |
| A                | RW  | DIR   |            |       | Pin direction. Same physical register as DIR register                    |  |  |  |  |  |  |  |  |  |  |   |   |  |  |  |   |   |   |  |  |  |   |   |   |   |  |
|                  |   |       | Input      | 0     | Configure pin as an input pin  |  |  |  |  |  |  |  |  |  |  |   |   |  |  |  |   |   |   |  |  |  |   |   |   |   |  |
|                  |   |       | Output     | 1     | Configure pin as an output pin   |  |  |  |  |  |  |  |  |  |  |   |   |  |  |  |   |   |   |  |  |  |   |   |   |   |  |
| B                | RW  | INPUT |            |       | Connect or disconnect input buffer                                       |  |  |  |  |  |  |  |  |  |  |   |   |  |  |  |   |   |   |  |  |  |   |   |   |   |  |
|                  |   |       | Connect    | 0     | Connect input buffer   |  |  |  |  |  |  |  |  |  |  |   |   |  |  |  |   |   |   |  |  |  |   |   |   |   |  |
|                  |   |       | Disconnect | 1     | Disconnect input buffer  |  |  |  |  |  |  |  |  |  |  |   |   |  |  |  |   |   |   |  |  |  |   |   |   |   |  |
| C                | RW  | PULL  |            |       | Pull configuration   |  |  |  |  |  |  |  |  |  |  |   |   |  |  |  |   |   |   |  |  |  |   |   |   |   |  |
|                  |   |       | Disabled   | 0     | No pull  |  |  |  |  |  |  |  |  |  |  |   |   |  |  |  |   |   |   |  |  |  |   |   |   |   |  |
|                  |   |       | Pulldown   | 1     | Pull down on pin   |  |  |  |  |  |  |  |  |  |  |   |   |  |  |  |   |   |   |  |  |  |   |   |   |   |  |
|                  |   |       | Pullup     | 3     | Pull up on pin   |  |  |  |  |  |  |  |  |  |  |   |   |  |  |  |   |   |   |  |  |  |   |   |   |   |  |
| D                | RW  | DRIVE |            |       | Drive configuration  |  |  |  |  |  |  |  |  |  |  |   |   |  |  |  |   |   |   |  |  |  |   |   |   |   |  |
|                  |   |       | SOS1       | 0     | Standard '0', standard '1'   |  |  |  |  |  |  |  |  |  |  |   |   |  |  |  |   |   |   |  |  |  |   |   |   |   |  |
|                  |   |       | HOS1       | 1     | High drive '0', standard '1'   |  |  |  |  |  |  |  |  |  |  |   |   |  |  |  |   |   |   |  |  |  |   |   |   |   |  |
|                  |   |       | SOH1       | 2     | Standard '0', high drive '1'   |  |  |  |  |  |  |  |  |  |  |   |   |  |  |  |   |   |   |  |  |  |   |   |   |   |  |
|                  |   |       | HOH1       | 3     | High drive '0', high 'drive '1''   |  |  |  |  |  |  |  |  |  |  |   |   |  |  |  |   |   |   |  |  |  |   |   |   |   |  |
|                  |   |       | DOS1       | 4     | Disconnect '0' standard '1' (normally used for wired-or connections)     |  |  |  |  |  |  |  |  |  |  |   |   |  |  |  |   |   |   |  |  |  |   |   |   |   |  |
|                  |   |       | DOH1       | 5     | Disconnect '0', high drive '1' (normally used for wired-or connections)  |  |  |  |  |  |  |  |  |  |  |   |   |  |  |  |   |   |   |  |  |  |   |   |   |   |  |
|                  |   |       | SOD1       | 6     | Standard '0'. disconnect '1' (normally used for wired-and connections)   |  |  |  |  |  |  |  |  |  |  |   |   |  |  |  |   |   |   |  |  |  |   |   |   |   |  |
|                  |   |       | HOD1       | 7     | High drive '0', disconnect '1' (normally used for wired-and connections) |  |  |  |  |  |  |  |  |  |  |   |   |  |  |  |   |   |   |  |  |  |   |   |   |   |  |
| E                | RW  | SENSE |            |       | Pin sensing mechanism  |  |  |  |  |  |  |  |  |  |  |   |   |  |  |  |   |   |   |  |  |  |   |   |   |   |  |
|                  |   |       | Disabled   | 0     | Disabled   |  |  |  |  |  |  |  |  |  |  |   |   |  |  |  |   |   |   |  |  |  |   |   |   |   |  |
|                  |   |       | High       | 2     | Sense for high level   |  |  |  |  |  |  |  |  |  |  |   |   |  |  |  |   |   |   |  |  |  |   |   |   |   |  |
|                  |   |       | Low        | 3     | Sense for low level  |  |  |  |  |  |  |  |  |  |  |   |   |  |  |  |   |   |   |  |  |  |   |   |   |   |  |

### 20.3.30 PIN\_CNF[20]

Address offset: 0x750

Configuration of GPIO pins

| Bit number       | 31 30 29 28 27 26 25 24 23 22 21 20 19 18 17 16 15 14 13 12 11 10 9 8 7 6 5 4 3 2 1 0 |       |            |    |  |             |  |  |  |  |  |  |  |  |  |   |   |   |  |  |   |   |   |  |  |   |   |   |  |  |  |
|------------------|---|-------|------------|----|--|-------------|--|--|--|--|--|--|--|--|--|---|---|---|--|--|---|---|---|--|--|---|---|---|--|--|--|
| Id               |   |       |            |    |  |             |  |  |  |  |  |  |  |  |  | E | E | D |  |  | D | D | C |  |  | C | B | A |  |  |  |
| Reset 0x00000002 | 0 1 0         |       |            |    |  |             |  |  |  |  |  |  |  |  |  |   |   |   |  |  |   |   |   |  |  |   |   |   |  |  |  |
| Id               | RW  | Field | Value      | Id | Value  | Description |  |  |  |  |  |  |  |  |  |   |   |   |  |  |   |   |   |  |  |   |   |   |  |  |  |
| A                | RW  | DIR   | Input      | 0  | Configure pin as an input pin  |             |  |  |  |  |  |  |  |  |  |   |   |   |  |  |   |   |   |  |  |   |   |   |  |  |  |
|                  |   |       | Output     | 1  | Configure pin as an output pin   |             |  |  |  |  |  |  |  |  |  |   |   |   |  |  |   |   |   |  |  |   |   |   |  |  |  |
| B                | RW  | INPUT | Connect    | 0  | Connect input buffer   |             |  |  |  |  |  |  |  |  |  |   |   |   |  |  |   |   |   |  |  |   |   |   |  |  |  |
|                  |   |       | Disconnect | 1  | Disconnect input buffer  |             |  |  |  |  |  |  |  |  |  |   |   |   |  |  |   |   |   |  |  |   |   |   |  |  |  |
| C                | RW  | PULL  | Disabled   | 0  | No pull  |             |  |  |  |  |  |  |  |  |  |   |   |   |  |  |   |   |   |  |  |   |   |   |  |  |  |
|                  |   |       | Pulldown   | 1  | Pull down on pin   |             |  |  |  |  |  |  |  |  |  |   |   |   |  |  |   |   |   |  |  |   |   |   |  |  |  |
|                  |   |       | Pullup     | 3  | Pull up on pin   |             |  |  |  |  |  |  |  |  |  |   |   |   |  |  |   |   |   |  |  |   |   |   |  |  |  |
| D                | RW  | DRIVE | S0S1       | 0  | Standard '0', standard '1'   |             |  |  |  |  |  |  |  |  |  |   |   |   |  |  |   |   |   |  |  |   |   |   |  |  |  |
|                  |   |       | H0S1       | 1  | High drive '0', standard '1'   |             |  |  |  |  |  |  |  |  |  |   |   |   |  |  |   |   |   |  |  |   |   |   |  |  |  |
|                  |   |       | S0H1       | 2  | Standard '0', high drive '1'   |             |  |  |  |  |  |  |  |  |  |   |   |   |  |  |   |   |   |  |  |   |   |   |  |  |  |
|                  |   |       | H0H1       | 3  | High drive '0', high 'drive '1''   |             |  |  |  |  |  |  |  |  |  |   |   |   |  |  |   |   |   |  |  |   |   |   |  |  |  |
|                  |   |       | D0S1       | 4  | Disconnect '0' standard '1' (normally used for wired-or connections)     |             |  |  |  |  |  |  |  |  |  |   |   |   |  |  |   |   |   |  |  |   |   |   |  |  |  |
|                  |   |       | D0H1       | 5  | Disconnect '0', high drive '1' (normally used for wired-or connections)  |             |  |  |  |  |  |  |  |  |  |   |   |   |  |  |   |   |   |  |  |   |   |   |  |  |  |
|                  |   |       | S0D1       | 6  | Standard '0'. disconnect '1' (normally used for wired-and connections)   |             |  |  |  |  |  |  |  |  |  |   |   |   |  |  |   |   |   |  |  |   |   |   |  |  |  |
|                  |   |       | H0D1       | 7  | High drive '0', disconnect '1' (normally used for wired-and connections) |             |  |  |  |  |  |  |  |  |  |   |   |   |  |  |   |   |   |  |  |   |   |   |  |  |  |
| E                | RW  | SENSE | Disabled   | 0  | Disabled   |             |  |  |  |  |  |  |  |  |  |   |   |   |  |  |   |   |   |  |  |   |   |   |  |  |  |
|                  |   |       | High       | 2  | Sense for high level   |             |  |  |  |  |  |  |  |  |  |   |   |   |  |  |   |   |   |  |  |   |   |   |  |  |  |
|                  |   |       | Low        | 3  | Sense for low level  |             |  |  |  |  |  |  |  |  |  |   |   |   |  |  |   |   |   |  |  |   |   |   |  |  |  |

### 20.3.31 PIN\_CNF[21]

Address offset: 0x754

Configuration of GPIO pins

| Bit number       | 31 30 29 28 27 26 25 24 23 22 21 20 19 18 17 16 15 14 13 12 11 10 9 8 7 6 5 4 3 2 1 0 |       |            |    |  |             |  |  |  |  |  |  |  |  |  |   |   |   |  |  |   |   |   |  |  |   |   |   |  |  |  |
|------------------|---|-------|------------|----|--|-------------|--|--|--|--|--|--|--|--|--|---|---|---|--|--|---|---|---|--|--|---|---|---|--|--|--|
| Id               |   |       |            |    |  |             |  |  |  |  |  |  |  |  |  | E | E | D |  |  | D | D | C |  |  | C | B | A |  |  |  |
| Reset 0x00000002 | 0 1 0         |       |            |    |  |             |  |  |  |  |  |  |  |  |  |   |   |   |  |  |   |   |   |  |  |   |   |   |  |  |  |
| Id               | RW  | Field | Value      | Id | Value  | Description |  |  |  |  |  |  |  |  |  |   |   |   |  |  |   |   |   |  |  |   |   |   |  |  |  |
| A                | RW  | DIR   | Input      | 0  | Configure pin as an input pin  |             |  |  |  |  |  |  |  |  |  |   |   |   |  |  |   |   |   |  |  |   |   |   |  |  |  |
|                  |   |       | Output     | 1  | Configure pin as an output pin                                       |             |  |  |  |  |  |  |  |  |  |   |   |   |  |  |   |   |   |  |  |   |   |   |  |  |  |
| B                | RW  | INPUT | Connect    | 0  | Connect input buffer   |             |  |  |  |  |  |  |  |  |  |   |   |   |  |  |   |   |   |  |  |   |   |   |  |  |  |
|                  |   |       | Disconnect | 1  | Disconnect input buffer  |             |  |  |  |  |  |  |  |  |  |   |   |   |  |  |   |   |   |  |  |   |   |   |  |  |  |
| C                | RW  | PULL  | Disabled   | 0  | No pull  |             |  |  |  |  |  |  |  |  |  |   |   |   |  |  |   |   |   |  |  |   |   |   |  |  |  |
|                  |   |       | Pulldown   | 1  | Pull down on pin   |             |  |  |  |  |  |  |  |  |  |   |   |   |  |  |   |   |   |  |  |   |   |   |  |  |  |
|                  |   |       | Pullup     | 3  | Pull up on pin   |             |  |  |  |  |  |  |  |  |  |   |   |   |  |  |   |   |   |  |  |   |   |   |  |  |  |
| D                | RW  | DRIVE | S0S1       | 0  | Standard '0', standard '1'   |             |  |  |  |  |  |  |  |  |  |   |   |   |  |  |   |   |   |  |  |   |   |   |  |  |  |
|                  |   |       | H0S1       | 1  | High drive '0', standard '1'   |             |  |  |  |  |  |  |  |  |  |   |   |   |  |  |   |   |   |  |  |   |   |   |  |  |  |
|                  |   |       | S0H1       | 2  | Standard '0', high drive '1'   |             |  |  |  |  |  |  |  |  |  |   |   |   |  |  |   |   |   |  |  |   |   |   |  |  |  |
|                  |   |       | H0H1       | 3  | High drive '0', high 'drive '1''                                     |             |  |  |  |  |  |  |  |  |  |   |   |   |  |  |   |   |   |  |  |   |   |   |  |  |  |
|                  |   |       | D0S1       | 4  | Disconnect '0' standard '1' (normally used for wired-or connections) |             |  |  |  |  |  |  |  |  |  |   |   |   |  |  |   |   |   |  |  |   |   |   |  |  |  |

| Bit number       | 31 30 29 28 27 26 25 24 23 22 21 20 19 18 17 16 15 14 13 12 11 10 9 8 7 6 5 4 3 2 1 0 |       |          |       |  |  |  |  |  |  |  |  |  |  |  |   |   |  |  |  |  |  |  |   |   |   |  |  |  |  |  |  |   |   |   |   |
|------------------|---|-------|----------|-------|--|--|--|--|--|--|--|--|--|--|--|---|---|--|--|--|--|--|--|---|---|---|--|--|--|--|--|--|---|---|---|---|
| Id               |   |       |          |       |  |  |  |  |  |  |  |  |  |  |  | E | E |  |  |  |  |  |  | D | D | D |  |  |  |  |  |  | C | C | B | A |
| Reset 0x00000002 | 0 1 0       |       |          |       |  |  |  |  |  |  |  |  |  |  |  |   |   |  |  |  |  |  |  |   |   |   |  |  |  |  |  |  |   |   |   |   |
| Id               | RW  | Field | Value Id | Value | Description  |  |  |  |  |  |  |  |  |  |  |   |   |  |  |  |  |  |  |   |   |   |  |  |  |  |  |  |   |   |   |   |
|                  |   |       | DOH1     | 5     | Disconnect '0', high drive '1' (normally used for wired-or connections)  |  |  |  |  |  |  |  |  |  |  |   |   |  |  |  |  |  |  |   |   |   |  |  |  |  |  |  |   |   |   |   |
|                  |   |       | SOD1     | 6     | Standard '0'. disconnect '1' (normally used for wired-and connections)   |  |  |  |  |  |  |  |  |  |  |   |   |  |  |  |  |  |  |   |   |   |  |  |  |  |  |  |   |   |   |   |
|                  |   |       | HOD1     | 7     | High drive '0', disconnect '1' (normally used for wired-and connections) |  |  |  |  |  |  |  |  |  |  |   |   |  |  |  |  |  |  |   |   |   |  |  |  |  |  |  |   |   |   |   |
| E                | RW  | SENSE |          |       | Pin sensing mechanism  |  |  |  |  |  |  |  |  |  |  |   |   |  |  |  |  |  |  |   |   |   |  |  |  |  |  |  |   |   |   |   |
|                  |   |       | Disabled | 0     | Disabled   |  |  |  |  |  |  |  |  |  |  |   |   |  |  |  |  |  |  |   |   |   |  |  |  |  |  |  |   |   |   |   |
|                  |   |       | High     | 2     | Sense for high level   |  |  |  |  |  |  |  |  |  |  |   |   |  |  |  |  |  |  |   |   |   |  |  |  |  |  |  |   |   |   |   |
|                  |   |       | Low      | 3     | Sense for low level  |  |  |  |  |  |  |  |  |  |  |   |   |  |  |  |  |  |  |   |   |   |  |  |  |  |  |  |   |   |   |   |

### 20.3.32 PIN\_CNF[22]

Address offset: 0x758

Configuration of GPIO pins

| Bit number       | 31 30 29 28 27 26 25 24 23 22 21 20 19 18 17 16 15 14 13 12 11 10 9 8 7 6 5 4 3 2 1 0 |       |            |       |  |  |  |  |  |  |  |  |  |  |  |   |   |  |  |  |  |  |  |   |   |   |  |  |  |  |  |  |   |   |   |   |
|------------------|---|-------|------------|-------|--|--|--|--|--|--|--|--|--|--|--|---|---|--|--|--|--|--|--|---|---|---|--|--|--|--|--|--|---|---|---|---|
| Id               |   |       |            |       |  |  |  |  |  |  |  |  |  |  |  | E | E |  |  |  |  |  |  | D | D | D |  |  |  |  |  |  | C | C | B | A |
| Reset 0x00000002 | 0 1 0       |       |            |       |  |  |  |  |  |  |  |  |  |  |  |   |   |  |  |  |  |  |  |   |   |   |  |  |  |  |  |  |   |   |   |   |
| Id               | RW  | Field | Value Id   | Value | Description  |  |  |  |  |  |  |  |  |  |  |   |   |  |  |  |  |  |  |   |   |   |  |  |  |  |  |  |   |   |   |   |
| A                | RW  | DIR   |            |       | Pin direction. Same physical register as DIR register                    |  |  |  |  |  |  |  |  |  |  |   |   |  |  |  |  |  |  |   |   |   |  |  |  |  |  |  |   |   |   |   |
|                  |   |       | Input      | 0     | Configure pin as an input pin  |  |  |  |  |  |  |  |  |  |  |   |   |  |  |  |  |  |  |   |   |   |  |  |  |  |  |  |   |   |   |   |
|                  |   |       | Output     | 1     | Configure pin as an output pin   |  |  |  |  |  |  |  |  |  |  |   |   |  |  |  |  |  |  |   |   |   |  |  |  |  |  |  |   |   |   |   |
| B                | RW  | INPUT |            |       | Connect or disconnect input buffer                                       |  |  |  |  |  |  |  |  |  |  |   |   |  |  |  |  |  |  |   |   |   |  |  |  |  |  |  |   |   |   |   |
|                  |   |       | Connect    | 0     | Connect input buffer   |  |  |  |  |  |  |  |  |  |  |   |   |  |  |  |  |  |  |   |   |   |  |  |  |  |  |  |   |   |   |   |
|                  |   |       | Disconnect | 1     | Disconnect input buffer  |  |  |  |  |  |  |  |  |  |  |   |   |  |  |  |  |  |  |   |   |   |  |  |  |  |  |  |   |   |   |   |
| C                | RW  | PULL  |            |       | Pull configuration   |  |  |  |  |  |  |  |  |  |  |   |   |  |  |  |  |  |  |   |   |   |  |  |  |  |  |  |   |   |   |   |
|                  |   |       | Disabled   | 0     | No pull  |  |  |  |  |  |  |  |  |  |  |   |   |  |  |  |  |  |  |   |   |   |  |  |  |  |  |  |   |   |   |   |
|                  |   |       | Pulldown   | 1     | Pull down on pin   |  |  |  |  |  |  |  |  |  |  |   |   |  |  |  |  |  |  |   |   |   |  |  |  |  |  |  |   |   |   |   |
|                  |   |       | Pullup     | 3     | Pull up on pin   |  |  |  |  |  |  |  |  |  |  |   |   |  |  |  |  |  |  |   |   |   |  |  |  |  |  |  |   |   |   |   |
| D                | RW  | DRIVE |            |       | Drive configuration  |  |  |  |  |  |  |  |  |  |  |   |   |  |  |  |  |  |  |   |   |   |  |  |  |  |  |  |   |   |   |   |
|                  |   |       | SOS1       | 0     | Standard '0', standard '1'   |  |  |  |  |  |  |  |  |  |  |   |   |  |  |  |  |  |  |   |   |   |  |  |  |  |  |  |   |   |   |   |
|                  |   |       | HOS1       | 1     | High drive '0', standard '1'   |  |  |  |  |  |  |  |  |  |  |   |   |  |  |  |  |  |  |   |   |   |  |  |  |  |  |  |   |   |   |   |
|                  |   |       | SOH1       | 2     | Standard '0', high drive '1'   |  |  |  |  |  |  |  |  |  |  |   |   |  |  |  |  |  |  |   |   |   |  |  |  |  |  |  |   |   |   |   |
|                  |   |       | HOH1       | 3     | High drive '0', high 'drive '1''   |  |  |  |  |  |  |  |  |  |  |   |   |  |  |  |  |  |  |   |   |   |  |  |  |  |  |  |   |   |   |   |
|                  |   |       | DOS1       | 4     | Disconnect '0' standard '1' (normally used for wired-or connections)     |  |  |  |  |  |  |  |  |  |  |   |   |  |  |  |  |  |  |   |   |   |  |  |  |  |  |  |   |   |   |   |
|                  |   |       | DOH1       | 5     | Disconnect '0', high drive '1' (normally used for wired-or connections)  |  |  |  |  |  |  |  |  |  |  |   |   |  |  |  |  |  |  |   |   |   |  |  |  |  |  |  |   |   |   |   |
|                  |   |       | SOD1       | 6     | Standard '0'. disconnect '1' (normally used for wired-and connections)   |  |  |  |  |  |  |  |  |  |  |   |   |  |  |  |  |  |  |   |   |   |  |  |  |  |  |  |   |   |   |   |
|                  |   |       | HOD1       | 7     | High drive '0', disconnect '1' (normally used for wired-and connections) |  |  |  |  |  |  |  |  |  |  |   |   |  |  |  |  |  |  |   |   |   |  |  |  |  |  |  |   |   |   |   |
| E                | RW  | SENSE |            |       | Pin sensing mechanism  |  |  |  |  |  |  |  |  |  |  |   |   |  |  |  |  |  |  |   |   |   |  |  |  |  |  |  |   |   |   |   |
|                  |   |       | Disabled   | 0     | Disabled   |  |  |  |  |  |  |  |  |  |  |   |   |  |  |  |  |  |  |   |   |   |  |  |  |  |  |  |   |   |   |   |
|                  |   |       | High       | 2     | Sense for high level   |  |  |  |  |  |  |  |  |  |  |   |   |  |  |  |  |  |  |   |   |   |  |  |  |  |  |  |   |   |   |   |
|                  |   |       | Low        | 3     | Sense for low level  |  |  |  |  |  |  |  |  |  |  |   |   |  |  |  |  |  |  |   |   |   |  |  |  |  |  |  |   |   |   |   |

### 20.3.33 PIN\_CNF[23]

Address offset: 0x75C

Configuration of GPIO pins

| Bit number       | 31 30 29 28 27 26 25 24 23 22 21 20 19 18 17 16 15 14 13 12 11 10 9 8 7 6 5 4 3 2 1 0 |       |            |    |  |             |  |  |  |  |  |  |  |  |  |   |   |   |  |  |   |   |   |  |  |   |   |   |  |  |  |
|------------------|---|-------|------------|----|--|-------------|--|--|--|--|--|--|--|--|--|---|---|---|--|--|---|---|---|--|--|---|---|---|--|--|--|
| Id               |   |       |            |    |  |             |  |  |  |  |  |  |  |  |  | E | E | D |  |  | D | D | C |  |  | C | B | A |  |  |  |
| Reset 0x00000002 | 0 1 0           |       |            |    |  |             |  |  |  |  |  |  |  |  |  |   |   |   |  |  |   |   |   |  |  |   |   |   |  |  |  |
| Id               | RW  | Field | Value      | Id | Value  | Description |  |  |  |  |  |  |  |  |  |   |   |   |  |  |   |   |   |  |  |   |   |   |  |  |  |
| A                | RW  | DIR   | Input      | 0  | Configure pin as an input pin  |             |  |  |  |  |  |  |  |  |  |   |   |   |  |  |   |   |   |  |  |   |   |   |  |  |  |
|                  |   |       | Output     | 1  | Configure pin as an output pin   |             |  |  |  |  |  |  |  |  |  |   |   |   |  |  |   |   |   |  |  |   |   |   |  |  |  |
| B                | RW  | INPUT | Connect    | 0  | Connect input buffer   |             |  |  |  |  |  |  |  |  |  |   |   |   |  |  |   |   |   |  |  |   |   |   |  |  |  |
|                  |   |       | Disconnect | 1  | Disconnect input buffer  |             |  |  |  |  |  |  |  |  |  |   |   |   |  |  |   |   |   |  |  |   |   |   |  |  |  |
| C                | RW  | PULL  | Disabled   | 0  | No pull  |             |  |  |  |  |  |  |  |  |  |   |   |   |  |  |   |   |   |  |  |   |   |   |  |  |  |
|                  |   |       | Pulldown   | 1  | Pull down on pin   |             |  |  |  |  |  |  |  |  |  |   |   |   |  |  |   |   |   |  |  |   |   |   |  |  |  |
|                  |   |       | Pullup     | 3  | Pull up on pin   |             |  |  |  |  |  |  |  |  |  |   |   |   |  |  |   |   |   |  |  |   |   |   |  |  |  |
| D                | RW  | DRIVE | S0S1       | 0  | Standard '0', standard '1'   |             |  |  |  |  |  |  |  |  |  |   |   |   |  |  |   |   |   |  |  |   |   |   |  |  |  |
|                  |   |       | H0S1       | 1  | High drive '0', standard '1'   |             |  |  |  |  |  |  |  |  |  |   |   |   |  |  |   |   |   |  |  |   |   |   |  |  |  |
|                  |   |       | S0H1       | 2  | Standard '0', high drive '1'   |             |  |  |  |  |  |  |  |  |  |   |   |   |  |  |   |   |   |  |  |   |   |   |  |  |  |
|                  |   |       | H0H1       | 3  | High drive '0', high 'drive '1''   |             |  |  |  |  |  |  |  |  |  |   |   |   |  |  |   |   |   |  |  |   |   |   |  |  |  |
|                  |   |       | D0S1       | 4  | Disconnect '0' standard '1' (normally used for wired-or connections)     |             |  |  |  |  |  |  |  |  |  |   |   |   |  |  |   |   |   |  |  |   |   |   |  |  |  |
|                  |   |       | D0H1       | 5  | Disconnect '0', high drive '1' (normally used for wired-or connections)  |             |  |  |  |  |  |  |  |  |  |   |   |   |  |  |   |   |   |  |  |   |   |   |  |  |  |
|                  |   |       | S0D1       | 6  | Standard '0'. disconnect '1' (normally used for wired-and connections)   |             |  |  |  |  |  |  |  |  |  |   |   |   |  |  |   |   |   |  |  |   |   |   |  |  |  |
|                  |   |       | H0D1       | 7  | High drive '0', disconnect '1' (normally used for wired-and connections) |             |  |  |  |  |  |  |  |  |  |   |   |   |  |  |   |   |   |  |  |   |   |   |  |  |  |
| E                | RW  | SENSE | Disabled   | 0  | Disabled   |             |  |  |  |  |  |  |  |  |  |   |   |   |  |  |   |   |   |  |  |   |   |   |  |  |  |
|                  |   |       | High       | 2  | Sense for high level   |             |  |  |  |  |  |  |  |  |  |   |   |   |  |  |   |   |   |  |  |   |   |   |  |  |  |
|                  |   |       | Low        | 3  | Sense for low level  |             |  |  |  |  |  |  |  |  |  |   |   |   |  |  |   |   |   |  |  |   |   |   |  |  |  |

### 20.3.34 PIN\_CNF[24]

Address offset: 0x760

Configuration of GPIO pins

| Bit number       | 31 30 29 28 27 26 25 24 23 22 21 20 19 18 17 16 15 14 13 12 11 10 9 8 7 6 5 4 3 2 1 0 |       |            |    |  |             |  |  |  |  |  |  |  |  |  |   |   |   |  |  |   |   |   |  |  |   |   |   |  |  |  |
|------------------|---|-------|------------|----|--|-------------|--|--|--|--|--|--|--|--|--|---|---|---|--|--|---|---|---|--|--|---|---|---|--|--|--|
| Id               |   |       |            |    |  |             |  |  |  |  |  |  |  |  |  | E | E | D |  |  | D | D | C |  |  | C | B | A |  |  |  |
| Reset 0x00000002 | 0 1 0           |       |            |    |  |             |  |  |  |  |  |  |  |  |  |   |   |   |  |  |   |   |   |  |  |   |   |   |  |  |  |
| Id               | RW  | Field | Value      | Id | Value  | Description |  |  |  |  |  |  |  |  |  |   |   |   |  |  |   |   |   |  |  |   |   |   |  |  |  |
| A                | RW  | DIR   | Input      | 0  | Configure pin as an input pin  |             |  |  |  |  |  |  |  |  |  |   |   |   |  |  |   |   |   |  |  |   |   |   |  |  |  |
|                  |   |       | Output     | 1  | Configure pin as an output pin                                       |             |  |  |  |  |  |  |  |  |  |   |   |   |  |  |   |   |   |  |  |   |   |   |  |  |  |
| B                | RW  | INPUT | Connect    | 0  | Connect input buffer   |             |  |  |  |  |  |  |  |  |  |   |   |   |  |  |   |   |   |  |  |   |   |   |  |  |  |
|                  |   |       | Disconnect | 1  | Disconnect input buffer  |             |  |  |  |  |  |  |  |  |  |   |   |   |  |  |   |   |   |  |  |   |   |   |  |  |  |
| C                | RW  | PULL  | Disabled   | 0  | No pull  |             |  |  |  |  |  |  |  |  |  |   |   |   |  |  |   |   |   |  |  |   |   |   |  |  |  |
|                  |   |       | Pulldown   | 1  | Pull down on pin   |             |  |  |  |  |  |  |  |  |  |   |   |   |  |  |   |   |   |  |  |   |   |   |  |  |  |
|                  |   |       | Pullup     | 3  | Pull up on pin   |             |  |  |  |  |  |  |  |  |  |   |   |   |  |  |   |   |   |  |  |   |   |   |  |  |  |
| D                | RW  | DRIVE | S0S1       | 0  | Standard '0', standard '1'   |             |  |  |  |  |  |  |  |  |  |   |   |   |  |  |   |   |   |  |  |   |   |   |  |  |  |
|                  |   |       | H0S1       | 1  | High drive '0', standard '1'   |             |  |  |  |  |  |  |  |  |  |   |   |   |  |  |   |   |   |  |  |   |   |   |  |  |  |
|                  |   |       | S0H1       | 2  | Standard '0', high drive '1'   |             |  |  |  |  |  |  |  |  |  |   |   |   |  |  |   |   |   |  |  |   |   |   |  |  |  |
|                  |   |       | H0H1       | 3  | High drive '0', high 'drive '1''                                     |             |  |  |  |  |  |  |  |  |  |   |   |   |  |  |   |   |   |  |  |   |   |   |  |  |  |
|                  |   |       | D0S1       | 4  | Disconnect '0' standard '1' (normally used for wired-or connections) |             |  |  |  |  |  |  |  |  |  |   |   |   |  |  |   |   |   |  |  |   |   |   |  |  |  |

| Bit number       | 31 | 30    | 29       | 28    | 27   | 26 | 25 | 24 | 23 | 22 | 21 | 20 | 19 | 18 | 17 | 16 | 15 | 14 | 13 | 12 | 11 | 10 | 9 | 8 | 7 | 6 | 5 | 4 | 3 | 2 | 1 | 0 |
|------------------|----|-------|----------|-------|--|----|----|----|----|----|----|----|----|----|----|----|----|----|----|----|----|----|---|---|---|---|---|---|---|---|---|---|
| Id               |    |       |          |       |  |    |    |    |    |    |    |    |    | E  | E  |    |    |    |    |    |    | D  | D | D |   |   |   |   | C | C | B | A |
| Reset 0x00000002 | 0  | 0     | 0        | 0     | 0  | 0  | 0  | 0  | 0  | 0  | 0  | 0  | 0  | 0  | 0  | 0  | 0  | 0  | 0  | 0  | 0  | 0  | 0 | 0 | 0 | 0 | 0 | 0 | 0 | 0 | 1 | 0 |
| Id               | RW | Field | Value Id | Value | Description  |    |    |    |    |    |    |    |    |    |    |    |    |    |    |    |    |    |   |   |   |   |   |   |   |   |   |   |
|                  |    |       | DOH1     | 5     | Disconnect '0', high drive '1' (normally used for wired-or connections)  |    |    |    |    |    |    |    |    |    |    |    |    |    |    |    |    |    |   |   |   |   |   |   |   |   |   |   |
|                  |    |       | SOD1     | 6     | Standard '0'. disconnect '1' (normally used for wired-and connections)   |    |    |    |    |    |    |    |    |    |    |    |    |    |    |    |    |    |   |   |   |   |   |   |   |   |   |   |
|                  |    |       | HOD1     | 7     | High drive '0', disconnect '1' (normally used for wired-and connections) |    |    |    |    |    |    |    |    |    |    |    |    |    |    |    |    |    |   |   |   |   |   |   |   |   |   |   |
| E                | RW | SENSE |          |       | Pin sensing mechanism  |    |    |    |    |    |    |    |    |    |    |    |    |    |    |    |    |    |   |   |   |   |   |   |   |   |   |   |
|                  |    |       | Disabled | 0     | Disabled   |    |    |    |    |    |    |    |    |    |    |    |    |    |    |    |    |    |   |   |   |   |   |   |   |   |   |   |
|                  |    |       | High     | 2     | Sense for high level   |    |    |    |    |    |    |    |    |    |    |    |    |    |    |    |    |    |   |   |   |   |   |   |   |   |   |   |
|                  |    |       | Low      | 3     | Sense for low level  |    |    |    |    |    |    |    |    |    |    |    |    |    |    |    |    |    |   |   |   |   |   |   |   |   |   |   |

### 20.3.35 PIN\_CNF[25]

Address offset: 0x764

Configuration of GPIO pins

| Bit number       | 31 | 30    | 29         | 28    | 27   | 26 | 25 | 24 | 23 | 22 | 21 | 20 | 19 | 18 | 17 | 16 | 15 | 14 | 13 | 12 | 11 | 10 | 9 | 8 | 7 | 6 | 5 | 4 | 3 | 2 | 1 | 0 |
|------------------|----|-------|------------|-------|--|----|----|----|----|----|----|----|----|----|----|----|----|----|----|----|----|----|---|---|---|---|---|---|---|---|---|---|
| Id               |    |       |            |       |  |    |    |    |    |    |    |    |    | E  | E  |    |    |    |    |    |    | D  | D | D |   |   |   |   | C | C | B | A |
| Reset 0x00000002 | 0  | 0     | 0          | 0     | 0  | 0  | 0  | 0  | 0  | 0  | 0  | 0  | 0  | 0  | 0  | 0  | 0  | 0  | 0  | 0  | 0  | 0  | 0 | 0 | 0 | 0 | 0 | 0 | 0 | 0 | 1 | 0 |
| Id               | RW | Field | Value Id   | Value | Description  |    |    |    |    |    |    |    |    |    |    |    |    |    |    |    |    |    |   |   |   |   |   |   |   |   |   |   |
| A                | RW | DIR   |            |       | Pin direction. Same physical register as DIR register                    |    |    |    |    |    |    |    |    |    |    |    |    |    |    |    |    |    |   |   |   |   |   |   |   |   |   |   |
|                  |    |       | Input      | 0     | Configure pin as an input pin  |    |    |    |    |    |    |    |    |    |    |    |    |    |    |    |    |    |   |   |   |   |   |   |   |   |   |   |
|                  |    |       | Output     | 1     | Configure pin as an output pin   |    |    |    |    |    |    |    |    |    |    |    |    |    |    |    |    |    |   |   |   |   |   |   |   |   |   |   |
| B                | RW | INPUT |            |       | Connect or disconnect input buffer                                       |    |    |    |    |    |    |    |    |    |    |    |    |    |    |    |    |    |   |   |   |   |   |   |   |   |   |   |
|                  |    |       | Connect    | 0     | Connect input buffer   |    |    |    |    |    |    |    |    |    |    |    |    |    |    |    |    |    |   |   |   |   |   |   |   |   |   |   |
|                  |    |       | Disconnect | 1     | Disconnect input buffer  |    |    |    |    |    |    |    |    |    |    |    |    |    |    |    |    |    |   |   |   |   |   |   |   |   |   |   |
| C                | RW | PULL  |            |       | Pull configuration   |    |    |    |    |    |    |    |    |    |    |    |    |    |    |    |    |    |   |   |   |   |   |   |   |   |   |   |
|                  |    |       | Disabled   | 0     | No pull  |    |    |    |    |    |    |    |    |    |    |    |    |    |    |    |    |    |   |   |   |   |   |   |   |   |   |   |
|                  |    |       | Pulldown   | 1     | Pull down on pin   |    |    |    |    |    |    |    |    |    |    |    |    |    |    |    |    |    |   |   |   |   |   |   |   |   |   |   |
|                  |    |       | Pullup     | 3     | Pull up on pin   |    |    |    |    |    |    |    |    |    |    |    |    |    |    |    |    |    |   |   |   |   |   |   |   |   |   |   |
| D                | RW | DRIVE |            |       | Drive configuration  |    |    |    |    |    |    |    |    |    |    |    |    |    |    |    |    |    |   |   |   |   |   |   |   |   |   |   |
|                  |    |       | SOS1       | 0     | Standard '0', standard '1'   |    |    |    |    |    |    |    |    |    |    |    |    |    |    |    |    |    |   |   |   |   |   |   |   |   |   |   |
|                  |    |       | HOS1       | 1     | High drive '0', standard '1'   |    |    |    |    |    |    |    |    |    |    |    |    |    |    |    |    |    |   |   |   |   |   |   |   |   |   |   |
|                  |    |       | SOH1       | 2     | Standard '0', high drive '1'   |    |    |    |    |    |    |    |    |    |    |    |    |    |    |    |    |    |   |   |   |   |   |   |   |   |   |   |
|                  |    |       | HOH1       | 3     | High drive '0', high 'drive '1''   |    |    |    |    |    |    |    |    |    |    |    |    |    |    |    |    |    |   |   |   |   |   |   |   |   |   |   |
|                  |    |       | DOS1       | 4     | Disconnect '0' standard '1' (normally used for wired-or connections)     |    |    |    |    |    |    |    |    |    |    |    |    |    |    |    |    |    |   |   |   |   |   |   |   |   |   |   |
|                  |    |       | DOH1       | 5     | Disconnect '0', high drive '1' (normally used for wired-or connections)  |    |    |    |    |    |    |    |    |    |    |    |    |    |    |    |    |    |   |   |   |   |   |   |   |   |   |   |
|                  |    |       | SOD1       | 6     | Standard '0'. disconnect '1' (normally used for wired-and connections)   |    |    |    |    |    |    |    |    |    |    |    |    |    |    |    |    |    |   |   |   |   |   |   |   |   |   |   |
|                  |    |       | HOD1       | 7     | High drive '0', disconnect '1' (normally used for wired-and connections) |    |    |    |    |    |    |    |    |    |    |    |    |    |    |    |    |    |   |   |   |   |   |   |   |   |   |   |
| E                | RW | SENSE |            |       | Pin sensing mechanism  |    |    |    |    |    |    |    |    |    |    |    |    |    |    |    |    |    |   |   |   |   |   |   |   |   |   |   |
|                  |    |       | Disabled   | 0     | Disabled   |    |    |    |    |    |    |    |    |    |    |    |    |    |    |    |    |    |   |   |   |   |   |   |   |   |   |   |
|                  |    |       | High       | 2     | Sense for high level   |    |    |    |    |    |    |    |    |    |    |    |    |    |    |    |    |    |   |   |   |   |   |   |   |   |   |   |
|                  |    |       | Low        | 3     | Sense for low level  |    |    |    |    |    |    |    |    |    |    |    |    |    |    |    |    |    |   |   |   |   |   |   |   |   |   |   |

### 20.3.36 PIN\_CNF[26]

Address offset: 0x768

Configuration of GPIO pins

| Bit number       | 31 30 29 28 27 26 25 24 23 22 21 20 19 18 17 16 15 14 13 12 11 10 9 8 7 6 5 4 3 2 1 0 |       |            |       |  |  |  |  |  |  |  |  |  |  |  |     |  |       |  |  |         |  |  |  |  |  |  |  |  |  |  |
|------------------|---|-------|------------|-------|--|--|--|--|--|--|--|--|--|--|--|-----|--|-------|--|--|---------|--|--|--|--|--|--|--|--|--|--|
| Id               |   |       |            |       |  |  |  |  |  |  |  |  |  |  |  | E E |  | D D D |  |  | C C B A |  |  |  |  |  |  |  |  |  |  |
| Reset 0x00000002 | 0 1 0           |       |            |       |  |  |  |  |  |  |  |  |  |  |  |     |  |       |  |  |         |  |  |  |  |  |  |  |  |  |  |
| Id               | RW  | Field | Value Id   | Value | Description  |  |  |  |  |  |  |  |  |  |  |     |  |       |  |  |         |  |  |  |  |  |  |  |  |  |  |
| A                | RW  | DIR   | Input      | 0     | Configure pin as an input pin  |  |  |  |  |  |  |  |  |  |  |     |  |       |  |  |         |  |  |  |  |  |  |  |  |  |  |
|                  |   |       | Output     | 1     | Configure pin as an output pin   |  |  |  |  |  |  |  |  |  |  |     |  |       |  |  |         |  |  |  |  |  |  |  |  |  |  |
| B                | RW  | INPUT | Connect    | 0     | Connect input buffer   |  |  |  |  |  |  |  |  |  |  |     |  |       |  |  |         |  |  |  |  |  |  |  |  |  |  |
|                  |   |       | Disconnect | 1     | Disconnect input buffer  |  |  |  |  |  |  |  |  |  |  |     |  |       |  |  |         |  |  |  |  |  |  |  |  |  |  |
| C                | RW  | PULL  | Disabled   | 0     | No pull  |  |  |  |  |  |  |  |  |  |  |     |  |       |  |  |         |  |  |  |  |  |  |  |  |  |  |
|                  |   |       | Pulldown   | 1     | Pull down on pin   |  |  |  |  |  |  |  |  |  |  |     |  |       |  |  |         |  |  |  |  |  |  |  |  |  |  |
|                  |   |       | Pullup     | 3     | Pull up on pin   |  |  |  |  |  |  |  |  |  |  |     |  |       |  |  |         |  |  |  |  |  |  |  |  |  |  |
| D                | RW  | DRIVE | S0S1       | 0     | Standard '0', standard '1'   |  |  |  |  |  |  |  |  |  |  |     |  |       |  |  |         |  |  |  |  |  |  |  |  |  |  |
|                  |   |       | H0S1       | 1     | High drive '0', standard '1'   |  |  |  |  |  |  |  |  |  |  |     |  |       |  |  |         |  |  |  |  |  |  |  |  |  |  |
|                  |   |       | S0H1       | 2     | Standard '0', high drive '1'   |  |  |  |  |  |  |  |  |  |  |     |  |       |  |  |         |  |  |  |  |  |  |  |  |  |  |
|                  |   |       | H0H1       | 3     | High drive '0', high 'drive '1''   |  |  |  |  |  |  |  |  |  |  |     |  |       |  |  |         |  |  |  |  |  |  |  |  |  |  |
|                  |   |       | D0S1       | 4     | Disconnect '0' standard '1' (normally used for wired-or connections)     |  |  |  |  |  |  |  |  |  |  |     |  |       |  |  |         |  |  |  |  |  |  |  |  |  |  |
|                  |   |       | D0H1       | 5     | Disconnect '0', high drive '1' (normally used for wired-or connections)  |  |  |  |  |  |  |  |  |  |  |     |  |       |  |  |         |  |  |  |  |  |  |  |  |  |  |
|                  |   |       | S0D1       | 6     | Standard '0'. disconnect '1' (normally used for wired-and connections)   |  |  |  |  |  |  |  |  |  |  |     |  |       |  |  |         |  |  |  |  |  |  |  |  |  |  |
|                  |   |       | H0D1       | 7     | High drive '0', disconnect '1' (normally used for wired-and connections) |  |  |  |  |  |  |  |  |  |  |     |  |       |  |  |         |  |  |  |  |  |  |  |  |  |  |
| E                | RW  | SENSE | Disabled   | 0     | Disabled   |  |  |  |  |  |  |  |  |  |  |     |  |       |  |  |         |  |  |  |  |  |  |  |  |  |  |
|                  |   |       | High       | 2     | Sense for high level   |  |  |  |  |  |  |  |  |  |  |     |  |       |  |  |         |  |  |  |  |  |  |  |  |  |  |
|                  |   |       | Low        | 3     | Sense for low level  |  |  |  |  |  |  |  |  |  |  |     |  |       |  |  |         |  |  |  |  |  |  |  |  |  |  |

### 20.3.37 PIN\_CNF[27]

Address offset: 0x76C

Configuration of GPIO pins

| Bit number       | 31 30 29 28 27 26 25 24 23 22 21 20 19 18 17 16 15 14 13 12 11 10 9 8 7 6 5 4 3 2 1 0 |       |            |       |  |  |  |  |  |  |  |  |  |  |  |     |  |       |  |  |         |  |  |  |  |  |  |  |  |  |  |
|------------------|---|-------|------------|-------|--|--|--|--|--|--|--|--|--|--|--|-----|--|-------|--|--|---------|--|--|--|--|--|--|--|--|--|--|
| Id               |   |       |            |       |  |  |  |  |  |  |  |  |  |  |  | E E |  | D D D |  |  | C C B A |  |  |  |  |  |  |  |  |  |  |
| Reset 0x00000002 | 0 1 0           |       |            |       |  |  |  |  |  |  |  |  |  |  |  |     |  |       |  |  |         |  |  |  |  |  |  |  |  |  |  |
| Id               | RW  | Field | Value Id   | Value | Description  |  |  |  |  |  |  |  |  |  |  |     |  |       |  |  |         |  |  |  |  |  |  |  |  |  |  |
| A                | RW  | DIR   | Input      | 0     | Configure pin as an input pin  |  |  |  |  |  |  |  |  |  |  |     |  |       |  |  |         |  |  |  |  |  |  |  |  |  |  |
|                  |   |       | Output     | 1     | Configure pin as an output pin                                       |  |  |  |  |  |  |  |  |  |  |     |  |       |  |  |         |  |  |  |  |  |  |  |  |  |  |
| B                | RW  | INPUT | Connect    | 0     | Connect input buffer   |  |  |  |  |  |  |  |  |  |  |     |  |       |  |  |         |  |  |  |  |  |  |  |  |  |  |
|                  |   |       | Disconnect | 1     | Disconnect input buffer  |  |  |  |  |  |  |  |  |  |  |     |  |       |  |  |         |  |  |  |  |  |  |  |  |  |  |
| C                | RW  | PULL  | Disabled   | 0     | No pull  |  |  |  |  |  |  |  |  |  |  |     |  |       |  |  |         |  |  |  |  |  |  |  |  |  |  |
|                  |   |       | Pulldown   | 1     | Pull down on pin   |  |  |  |  |  |  |  |  |  |  |     |  |       |  |  |         |  |  |  |  |  |  |  |  |  |  |
|                  |   |       | Pullup     | 3     | Pull up on pin   |  |  |  |  |  |  |  |  |  |  |     |  |       |  |  |         |  |  |  |  |  |  |  |  |  |  |
| D                | RW  | DRIVE | S0S1       | 0     | Standard '0', standard '1'   |  |  |  |  |  |  |  |  |  |  |     |  |       |  |  |         |  |  |  |  |  |  |  |  |  |  |
|                  |   |       | H0S1       | 1     | High drive '0', standard '1'   |  |  |  |  |  |  |  |  |  |  |     |  |       |  |  |         |  |  |  |  |  |  |  |  |  |  |
|                  |   |       | S0H1       | 2     | Standard '0', high drive '1'   |  |  |  |  |  |  |  |  |  |  |     |  |       |  |  |         |  |  |  |  |  |  |  |  |  |  |
|                  |   |       | H0H1       | 3     | High drive '0', high 'drive '1''                                     |  |  |  |  |  |  |  |  |  |  |     |  |       |  |  |         |  |  |  |  |  |  |  |  |  |  |
|                  |   |       | D0S1       | 4     | Disconnect '0' standard '1' (normally used for wired-or connections) |  |  |  |  |  |  |  |  |  |  |     |  |       |  |  |         |  |  |  |  |  |  |  |  |  |  |

| Bit number       | 31 | 30    | 29       | 28    | 27   | 26 | 25 | 24 | 23 | 22 | 21 | 20 | 19 | 18 | 17 | 16 | 15 | 14 | 13 | 12 | 11 | 10 | 9 | 8 | 7 | 6 | 5 | 4 | 3 | 2 | 1 | 0 |   |
|------------------|----|-------|----------|-------|--|----|----|----|----|----|----|----|----|----|----|----|----|----|----|----|----|----|---|---|---|---|---|---|---|---|---|---|---|
| Id               |    |       |          |       |  |    |    |    |    |    |    |    |    | E  | E  |    |    |    |    |    |    | D  | D | D |   |   |   |   | C | C | B | A |   |
| Reset 0x00000002 | 0  | 0     | 0        | 0     | 0  | 0  | 0  | 0  | 0  | 0  | 0  | 0  | 0  | 0  | 0  | 0  | 0  | 0  | 0  | 0  | 0  | 0  | 0 | 0 | 0 | 0 | 0 | 0 | 0 | 0 | 0 | 1 | 0 |
| Id               | RW | Field | Value Id | Value | Description  |    |    |    |    |    |    |    |    |    |    |    |    |    |    |    |    |    |   |   |   |   |   |   |   |   |   |   |   |
|                  |    |       | DOH1     | 5     | Disconnect '0', high drive '1' (normally used for wired-or connections)  |    |    |    |    |    |    |    |    |    |    |    |    |    |    |    |    |    |   |   |   |   |   |   |   |   |   |   |   |
|                  |    |       | SOD1     | 6     | Standard '0'. disconnect '1' (normally used for wired-and connections)   |    |    |    |    |    |    |    |    |    |    |    |    |    |    |    |    |    |   |   |   |   |   |   |   |   |   |   |   |
|                  |    |       | HOD1     | 7     | High drive '0', disconnect '1' (normally used for wired-and connections) |    |    |    |    |    |    |    |    |    |    |    |    |    |    |    |    |    |   |   |   |   |   |   |   |   |   |   |   |
| E                | RW | SENSE |          |       | Pin sensing mechanism  |    |    |    |    |    |    |    |    |    |    |    |    |    |    |    |    |    |   |   |   |   |   |   |   |   |   |   |   |
|                  |    |       | Disabled | 0     | Disabled   |    |    |    |    |    |    |    |    |    |    |    |    |    |    |    |    |    |   |   |   |   |   |   |   |   |   |   |   |
|                  |    |       | High     | 2     | Sense for high level   |    |    |    |    |    |    |    |    |    |    |    |    |    |    |    |    |    |   |   |   |   |   |   |   |   |   |   |   |
|                  |    |       | Low      | 3     | Sense for low level  |    |    |    |    |    |    |    |    |    |    |    |    |    |    |    |    |    |   |   |   |   |   |   |   |   |   |   |   |

### 20.3.38 PIN\_CNF[28]

Address offset: 0x770

Configuration of GPIO pins

| Bit number       | 31 | 30    | 29         | 28    | 27   | 26 | 25 | 24 | 23 | 22 | 21 | 20 | 19 | 18 | 17 | 16 | 15 | 14 | 13 | 12 | 11 | 10 | 9 | 8 | 7 | 6 | 5 | 4 | 3 | 2 | 1 | 0 |
|------------------|----|-------|------------|-------|--|----|----|----|----|----|----|----|----|----|----|----|----|----|----|----|----|----|---|---|---|---|---|---|---|---|---|---|
| Id               |    |       |            |       |  |    |    |    |    |    |    |    |    | E  | E  |    |    |    |    |    |    | D  | D | D |   |   |   |   | C | C | B | A |
| Reset 0x00000002 | 0  | 0     | 0          | 0     | 0  | 0  | 0  | 0  | 0  | 0  | 0  | 0  | 0  | 0  | 0  | 0  | 0  | 0  | 0  | 0  | 0  | 0  | 0 | 0 | 0 | 0 | 0 | 0 | 0 | 0 | 1 | 0 |
| Id               | RW | Field | Value Id   | Value | Description  |    |    |    |    |    |    |    |    |    |    |    |    |    |    |    |    |    |   |   |   |   |   |   |   |   |   |   |
| A                | RW | DIR   |            |       | Pin direction. Same physical register as DIR register                    |    |    |    |    |    |    |    |    |    |    |    |    |    |    |    |    |    |   |   |   |   |   |   |   |   |   |   |
|                  |    |       | Input      | 0     | Configure pin as an input pin  |    |    |    |    |    |    |    |    |    |    |    |    |    |    |    |    |    |   |   |   |   |   |   |   |   |   |   |
|                  |    |       | Output     | 1     | Configure pin as an output pin   |    |    |    |    |    |    |    |    |    |    |    |    |    |    |    |    |    |   |   |   |   |   |   |   |   |   |   |
| B                | RW | INPUT |            |       | Connect or disconnect input buffer                                       |    |    |    |    |    |    |    |    |    |    |    |    |    |    |    |    |    |   |   |   |   |   |   |   |   |   |   |
|                  |    |       | Connect    | 0     | Connect input buffer   |    |    |    |    |    |    |    |    |    |    |    |    |    |    |    |    |    |   |   |   |   |   |   |   |   |   |   |
|                  |    |       | Disconnect | 1     | Disconnect input buffer  |    |    |    |    |    |    |    |    |    |    |    |    |    |    |    |    |    |   |   |   |   |   |   |   |   |   |   |
| C                | RW | PULL  |            |       | Pull configuration   |    |    |    |    |    |    |    |    |    |    |    |    |    |    |    |    |    |   |   |   |   |   |   |   |   |   |   |
|                  |    |       | Disabled   | 0     | No pull  |    |    |    |    |    |    |    |    |    |    |    |    |    |    |    |    |    |   |   |   |   |   |   |   |   |   |   |
|                  |    |       | Pulldown   | 1     | Pull down on pin   |    |    |    |    |    |    |    |    |    |    |    |    |    |    |    |    |    |   |   |   |   |   |   |   |   |   |   |
|                  |    |       | Pullup     | 3     | Pull up on pin   |    |    |    |    |    |    |    |    |    |    |    |    |    |    |    |    |    |   |   |   |   |   |   |   |   |   |   |
| D                | RW | DRIVE |            |       | Drive configuration  |    |    |    |    |    |    |    |    |    |    |    |    |    |    |    |    |    |   |   |   |   |   |   |   |   |   |   |
|                  |    |       | SOS1       | 0     | Standard '0', standard '1'   |    |    |    |    |    |    |    |    |    |    |    |    |    |    |    |    |    |   |   |   |   |   |   |   |   |   |   |
|                  |    |       | HOS1       | 1     | High drive '0', standard '1'   |    |    |    |    |    |    |    |    |    |    |    |    |    |    |    |    |    |   |   |   |   |   |   |   |   |   |   |
|                  |    |       | SOH1       | 2     | Standard '0', high drive '1'   |    |    |    |    |    |    |    |    |    |    |    |    |    |    |    |    |    |   |   |   |   |   |   |   |   |   |   |
|                  |    |       | HOH1       | 3     | High drive '0', high 'drive '1''   |    |    |    |    |    |    |    |    |    |    |    |    |    |    |    |    |    |   |   |   |   |   |   |   |   |   |   |
|                  |    |       | DOS1       | 4     | Disconnect '0' standard '1' (normally used for wired-or connections)     |    |    |    |    |    |    |    |    |    |    |    |    |    |    |    |    |    |   |   |   |   |   |   |   |   |   |   |
|                  |    |       | DOH1       | 5     | Disconnect '0', high drive '1' (normally used for wired-or connections)  |    |    |    |    |    |    |    |    |    |    |    |    |    |    |    |    |    |   |   |   |   |   |   |   |   |   |   |
|                  |    |       | SOD1       | 6     | Standard '0'. disconnect '1' (normally used for wired-and connections)   |    |    |    |    |    |    |    |    |    |    |    |    |    |    |    |    |    |   |   |   |   |   |   |   |   |   |   |
|                  |    |       | HOD1       | 7     | High drive '0', disconnect '1' (normally used for wired-and connections) |    |    |    |    |    |    |    |    |    |    |    |    |    |    |    |    |    |   |   |   |   |   |   |   |   |   |   |
| E                | RW | SENSE |            |       | Pin sensing mechanism  |    |    |    |    |    |    |    |    |    |    |    |    |    |    |    |    |    |   |   |   |   |   |   |   |   |   |   |
|                  |    |       | Disabled   | 0     | Disabled   |    |    |    |    |    |    |    |    |    |    |    |    |    |    |    |    |    |   |   |   |   |   |   |   |   |   |   |
|                  |    |       | High       | 2     | Sense for high level   |    |    |    |    |    |    |    |    |    |    |    |    |    |    |    |    |    |   |   |   |   |   |   |   |   |   |   |
|                  |    |       | Low        | 3     | Sense for low level  |    |    |    |    |    |    |    |    |    |    |    |    |    |    |    |    |    |   |   |   |   |   |   |   |   |   |   |

### 20.3.39 PIN\_CNF[29]

Address offset: 0x774

Configuration of GPIO pins



| Bit number       | 31 30 29 28 27 26 25 24 23 22 21 20 19 18 17 16 15 14 13 12 11 10 9 8 7 6 5 4 3 2 1 0 |  |            |       |   |  |  |  |  |  |  |  |  |  |  |   |   |   |  |  |   |   |   |  |  |   |   |   |  |  |  |
|------------------|---|--|------------|-------|---|--|--|--|--|--|--|--|--|--|--|---|---|---|--|--|---|---|---|--|--|---|---|---|--|--|--|
| Id               |   |  |            |       |   |  |  |  |  |  |  |  |  |  |  | E | E | D |  |  | D | D | C |  |  | C | B | A |  |  |  |
| Reset 0x00000002 | 0 1 0           |  |            |       |   |  |  |  |  |  |  |  |  |  |  |   |   |   |  |  |   |   |   |  |  |   |   |   |  |  |  |
| Id               | RW  | Field  | Value Id   | Value | Description   |  |  |  |  |  |  |  |  |  |  |   |   |   |  |  |   |   |   |  |  |   |   |   |  |  |  |
| A                | RW  | DIR  | Input      | 0     | Configure pin as an input pin   |  |  |  |  |  |  |  |  |  |  |   |   |   |  |  |   |   |   |  |  |   |   |   |  |  |  |
|                  |   |  | Output     | 1     | Configure pin as an output pin  |  |  |  |  |  |  |  |  |  |  |   |   |   |  |  |   |   |   |  |  |   |   |   |  |  |  |
| B                | RW  | INPUT  | Connect    | 0     | Connect input buffer  |  |  |  |  |  |  |  |  |  |  |   |   |   |  |  |   |   |   |  |  |   |   |   |  |  |  |
|                  |   |  | Disconnect | 1     | Disconnect input buffer   |  |  |  |  |  |  |  |  |  |  |   |   |   |  |  |   |   |   |  |  |   |   |   |  |  |  |
| C                | RW  | PULL   | Disabled   | 0     | No pull   |  |  |  |  |  |  |  |  |  |  |   |   |   |  |  |   |   |   |  |  |   |   |   |  |  |  |
|                  |   |  | Pulldown   | 1     | Pull down on pin  |  |  |  |  |  |  |  |  |  |  |   |   |   |  |  |   |   |   |  |  |   |   |   |  |  |  |
|                  |   |  | Pullup     | 3     | Pull up on pin  |  |  |  |  |  |  |  |  |  |  |   |   |   |  |  |   |   |   |  |  |   |   |   |  |  |  |
| D                | RW  | DRIVE  | S0S1       | 0     | Standard '0', standard '1'  |  |  |  |  |  |  |  |  |  |  |   |   |   |  |  |   |   |   |  |  |   |   |   |  |  |  |
|                  |   |  | H0S1       | 1     | High drive '0', standard '1'  |  |  |  |  |  |  |  |  |  |  |   |   |   |  |  |   |   |   |  |  |   |   |   |  |  |  |
|                  |   |  | S0H1       | 2     | Standard '0', high drive '1'  |  |  |  |  |  |  |  |  |  |  |   |   |   |  |  |   |   |   |  |  |   |   |   |  |  |  |
|                  |   |  | H0H1       | 3     | High drive '0', high 'drive '1''  |  |  |  |  |  |  |  |  |  |  |   |   |   |  |  |   |   |   |  |  |   |   |   |  |  |  |
|                  |   |  | D0S1       | 4     | Disconnect '0' standard '1' (normally used for wired-or connections)    |  |  |  |  |  |  |  |  |  |  |   |   |   |  |  |   |   |   |  |  |   |   |   |  |  |  |
|                  |   |  | D0H1       | 5     | Disconnect '0', high drive '1' (normally used for wired-or connections) |  |  |  |  |  |  |  |  |  |  |   |   |   |  |  |   |   |   |  |  |   |   |   |  |  |  |
|                  |   |  | S0D1       | 6     | Standard '0'. disconnect '1' (normally used for wired-and connections)  |  |  |  |  |  |  |  |  |  |  |   |   |   |  |  |   |   |   |  |  |   |   |   |  |  |  |
| H0D1             | 7   | High drive '0', disconnect '1' (normally used for wired-and connections) |            |       |   |  |  |  |  |  |  |  |  |  |  |   |   |   |  |  |   |   |   |  |  |   |   |   |  |  |  |
| E                | RW  | SENSE  | Disabled   | 0     | Disabled  |  |  |  |  |  |  |  |  |  |  |   |   |   |  |  |   |   |   |  |  |   |   |   |  |  |  |
|                  |   |  | High       | 2     | Sense for high level  |  |  |  |  |  |  |  |  |  |  |   |   |   |  |  |   |   |   |  |  |   |   |   |  |  |  |
|                  |   |  | Low        | 3     | Sense for low level   |  |  |  |  |  |  |  |  |  |  |   |   |   |  |  |   |   |   |  |  |   |   |   |  |  |  |

### 20.3.40 PIN\_CNF[30]

Address offset: 0x778

Configuration of GPIO pins

| Bit number       | 31 30 29 28 27 26 25 24 23 22 21 20 19 18 17 16 15 14 13 12 11 10 9 8 7 6 5 4 3 2 1 0 |       |            |       |  |  |  |  |  |  |  |  |  |  |  |   |   |   |  |  |   |   |   |  |  |   |   |   |  |  |  |
|------------------|---|-------|------------|-------|--|--|--|--|--|--|--|--|--|--|--|---|---|---|--|--|---|---|---|--|--|---|---|---|--|--|--|
| Id               |   |       |            |       |  |  |  |  |  |  |  |  |  |  |  | E | E | D |  |  | D | D | C |  |  | C | B | A |  |  |  |
| Reset 0x00000002 | 0 1 0           |       |            |       |  |  |  |  |  |  |  |  |  |  |  |   |   |   |  |  |   |   |   |  |  |   |   |   |  |  |  |
| Id               | RW  | Field | Value Id   | Value | Description  |  |  |  |  |  |  |  |  |  |  |   |   |   |  |  |   |   |   |  |  |   |   |   |  |  |  |
| A                | RW  | DIR   | Input      | 0     | Configure pin as an input pin  |  |  |  |  |  |  |  |  |  |  |   |   |   |  |  |   |   |   |  |  |   |   |   |  |  |  |
|                  |   |       | Output     | 1     | Configure pin as an output pin                                       |  |  |  |  |  |  |  |  |  |  |   |   |   |  |  |   |   |   |  |  |   |   |   |  |  |  |
| B                | RW  | INPUT | Connect    | 0     | Connect input buffer   |  |  |  |  |  |  |  |  |  |  |   |   |   |  |  |   |   |   |  |  |   |   |   |  |  |  |
|                  |   |       | Disconnect | 1     | Disconnect input buffer  |  |  |  |  |  |  |  |  |  |  |   |   |   |  |  |   |   |   |  |  |   |   |   |  |  |  |
| C                | RW  | PULL  | Disabled   | 0     | No pull  |  |  |  |  |  |  |  |  |  |  |   |   |   |  |  |   |   |   |  |  |   |   |   |  |  |  |
|                  |   |       | Pulldown   | 1     | Pull down on pin   |  |  |  |  |  |  |  |  |  |  |   |   |   |  |  |   |   |   |  |  |   |   |   |  |  |  |
|                  |   |       | Pullup     | 3     | Pull up on pin   |  |  |  |  |  |  |  |  |  |  |   |   |   |  |  |   |   |   |  |  |   |   |   |  |  |  |
| D                | RW  | DRIVE | S0S1       | 0     | Standard '0', standard '1'   |  |  |  |  |  |  |  |  |  |  |   |   |   |  |  |   |   |   |  |  |   |   |   |  |  |  |
|                  |   |       | H0S1       | 1     | High drive '0', standard '1'   |  |  |  |  |  |  |  |  |  |  |   |   |   |  |  |   |   |   |  |  |   |   |   |  |  |  |
|                  |   |       | S0H1       | 2     | Standard '0', high drive '1'   |  |  |  |  |  |  |  |  |  |  |   |   |   |  |  |   |   |   |  |  |   |   |   |  |  |  |
|                  |   |       | H0H1       | 3     | High drive '0', high 'drive '1''                                     |  |  |  |  |  |  |  |  |  |  |   |   |   |  |  |   |   |   |  |  |   |   |   |  |  |  |
|                  |   |       | D0S1       | 4     | Disconnect '0' standard '1' (normally used for wired-or connections) |  |  |  |  |  |  |  |  |  |  |   |   |   |  |  |   |   |   |  |  |   |   |   |  |  |  |

| Bit number       | 31 | 30    | 29       | 28    | 27   | 26 | 25 | 24 | 23 | 22 | 21 | 20 | 19 | 18 | 17 | 16 | 15 | 14 | 13 | 12 | 11 | 10 | 9 | 8 | 7 | 6 | 5 | 4 | 3 | 2 | 1 | 0 |   |   |   |
|------------------|----|-------|----------|-------|--|----|----|----|----|----|----|----|----|----|----|----|----|----|----|----|----|----|---|---|---|---|---|---|---|---|---|---|---|---|---|
| Id               |    |       |          |       |  |    |    |    |    |    |    |    |    |    | E  | E  |    |    |    |    |    |    | D | D | D |   |   |   |   |   |   | C | C | B | A |
| Reset 0x00000002 | 0  | 0     | 0        | 0     | 0  | 0  | 0  | 0  | 0  | 0  | 0  | 0  | 0  | 0  | 0  | 0  | 0  | 0  | 0  | 0  | 0  | 0  | 0 | 0 | 0 | 0 | 0 | 0 | 0 | 0 | 0 | 1 | 0 |   |   |
| Id               | RW | Field | Value Id | Value | Description  |    |    |    |    |    |    |    |    |    |    |    |    |    |    |    |    |    |   |   |   |   |   |   |   |   |   |   |   |   |   |
|                  |    |       | DOH1     | 5     | Disconnect '0', high drive '1' (normally used for wired-or connections)  |    |    |    |    |    |    |    |    |    |    |    |    |    |    |    |    |    |   |   |   |   |   |   |   |   |   |   |   |   |   |
|                  |    |       | SOD1     | 6     | Standard '0'. disconnect '1' (normally used for wired-and connections)   |    |    |    |    |    |    |    |    |    |    |    |    |    |    |    |    |    |   |   |   |   |   |   |   |   |   |   |   |   |   |
|                  |    |       | HOD1     | 7     | High drive '0', disconnect '1' (normally used for wired-and connections) |    |    |    |    |    |    |    |    |    |    |    |    |    |    |    |    |    |   |   |   |   |   |   |   |   |   |   |   |   |   |
| E                | RW | SENSE |          |       | Pin sensing mechanism  |    |    |    |    |    |    |    |    |    |    |    |    |    |    |    |    |    |   |   |   |   |   |   |   |   |   |   |   |   |   |
|                  |    |       | Disabled | 0     | Disabled   |    |    |    |    |    |    |    |    |    |    |    |    |    |    |    |    |    |   |   |   |   |   |   |   |   |   |   |   |   |   |
|                  |    |       | High     | 2     | Sense for high level   |    |    |    |    |    |    |    |    |    |    |    |    |    |    |    |    |    |   |   |   |   |   |   |   |   |   |   |   |   |   |
|                  |    |       | Low      | 3     | Sense for low level  |    |    |    |    |    |    |    |    |    |    |    |    |    |    |    |    |    |   |   |   |   |   |   |   |   |   |   |   |   |   |

### 20.3.41 PIN\_CNF[31]

Address offset: 0x77C

Configuration of GPIO pins

| Bit number       | 31 | 30    | 29         | 28    | 27   | 26 | 25 | 24 | 23 | 22 | 21 | 20 | 19 | 18 | 17 | 16 | 15 | 14 | 13 | 12 | 11 | 10 | 9 | 8 | 7 | 6 | 5 | 4 | 3 | 2 | 1 | 0 |   |   |   |
|------------------|----|-------|------------|-------|--|----|----|----|----|----|----|----|----|----|----|----|----|----|----|----|----|----|---|---|---|---|---|---|---|---|---|---|---|---|---|
| Id               |    |       |            |       |  |    |    |    |    |    |    |    |    |    | E  | E  |    |    |    |    |    |    | D | D | D |   |   |   |   |   |   | C | C | B | A |
| Reset 0x00000002 | 0  | 0     | 0          | 0     | 0  | 0  | 0  | 0  | 0  | 0  | 0  | 0  | 0  | 0  | 0  | 0  | 0  | 0  | 0  | 0  | 0  | 0  | 0 | 0 | 0 | 0 | 0 | 0 | 0 | 0 | 1 | 0 |   |   |   |
| Id               | RW | Field | Value Id   | Value | Description  |    |    |    |    |    |    |    |    |    |    |    |    |    |    |    |    |    |   |   |   |   |   |   |   |   |   |   |   |   |   |
| A                | RW | DIR   |            |       | Pin direction. Same physical register as DIR register                    |    |    |    |    |    |    |    |    |    |    |    |    |    |    |    |    |    |   |   |   |   |   |   |   |   |   |   |   |   |   |
|                  |    |       | Input      | 0     | Configure pin as an input pin  |    |    |    |    |    |    |    |    |    |    |    |    |    |    |    |    |    |   |   |   |   |   |   |   |   |   |   |   |   |   |
|                  |    |       | Output     | 1     | Configure pin as an output pin   |    |    |    |    |    |    |    |    |    |    |    |    |    |    |    |    |    |   |   |   |   |   |   |   |   |   |   |   |   |   |
| B                | RW | INPUT |            |       | Connect or disconnect input buffer                                       |    |    |    |    |    |    |    |    |    |    |    |    |    |    |    |    |    |   |   |   |   |   |   |   |   |   |   |   |   |   |
|                  |    |       | Connect    | 0     | Connect input buffer   |    |    |    |    |    |    |    |    |    |    |    |    |    |    |    |    |    |   |   |   |   |   |   |   |   |   |   |   |   |   |
|                  |    |       | Disconnect | 1     | Disconnect input buffer  |    |    |    |    |    |    |    |    |    |    |    |    |    |    |    |    |    |   |   |   |   |   |   |   |   |   |   |   |   |   |
| C                | RW | PULL  |            |       | Pull configuration   |    |    |    |    |    |    |    |    |    |    |    |    |    |    |    |    |    |   |   |   |   |   |   |   |   |   |   |   |   |   |
|                  |    |       | Disabled   | 0     | No pull  |    |    |    |    |    |    |    |    |    |    |    |    |    |    |    |    |    |   |   |   |   |   |   |   |   |   |   |   |   |   |
|                  |    |       | Pulldown   | 1     | Pull down on pin   |    |    |    |    |    |    |    |    |    |    |    |    |    |    |    |    |    |   |   |   |   |   |   |   |   |   |   |   |   |   |
|                  |    |       | Pullup     | 3     | Pull up on pin   |    |    |    |    |    |    |    |    |    |    |    |    |    |    |    |    |    |   |   |   |   |   |   |   |   |   |   |   |   |   |
| D                | RW | DRIVE |            |       | Drive configuration  |    |    |    |    |    |    |    |    |    |    |    |    |    |    |    |    |    |   |   |   |   |   |   |   |   |   |   |   |   |   |
|                  |    |       | SOS1       | 0     | Standard '0', standard '1'   |    |    |    |    |    |    |    |    |    |    |    |    |    |    |    |    |    |   |   |   |   |   |   |   |   |   |   |   |   |   |
|                  |    |       | HOS1       | 1     | High drive '0', standard '1'   |    |    |    |    |    |    |    |    |    |    |    |    |    |    |    |    |    |   |   |   |   |   |   |   |   |   |   |   |   |   |
|                  |    |       | SOH1       | 2     | Standard '0', high drive '1'   |    |    |    |    |    |    |    |    |    |    |    |    |    |    |    |    |    |   |   |   |   |   |   |   |   |   |   |   |   |   |
|                  |    |       | HOH1       | 3     | High drive '0', high 'drive '1''   |    |    |    |    |    |    |    |    |    |    |    |    |    |    |    |    |    |   |   |   |   |   |   |   |   |   |   |   |   |   |
|                  |    |       | DOS1       | 4     | Disconnect '0' standard '1' (normally used for wired-or connections)     |    |    |    |    |    |    |    |    |    |    |    |    |    |    |    |    |    |   |   |   |   |   |   |   |   |   |   |   |   |   |
|                  |    |       | DOH1       | 5     | Disconnect '0', high drive '1' (normally used for wired-or connections)  |    |    |    |    |    |    |    |    |    |    |    |    |    |    |    |    |    |   |   |   |   |   |   |   |   |   |   |   |   |   |
|                  |    |       | SOD1       | 6     | Standard '0'. disconnect '1' (normally used for wired-and connections)   |    |    |    |    |    |    |    |    |    |    |    |    |    |    |    |    |    |   |   |   |   |   |   |   |   |   |   |   |   |   |
|                  |    |       | HOD1       | 7     | High drive '0', disconnect '1' (normally used for wired-and connections) |    |    |    |    |    |    |    |    |    |    |    |    |    |    |    |    |    |   |   |   |   |   |   |   |   |   |   |   |   |   |
| E                | RW | SENSE |            |       | Pin sensing mechanism  |    |    |    |    |    |    |    |    |    |    |    |    |    |    |    |    |    |   |   |   |   |   |   |   |   |   |   |   |   |   |
|                  |    |       | Disabled   | 0     | Disabled   |    |    |    |    |    |    |    |    |    |    |    |    |    |    |    |    |    |   |   |   |   |   |   |   |   |   |   |   |   |   |
|                  |    |       | High       | 2     | Sense for high level   |    |    |    |    |    |    |    |    |    |    |    |    |    |    |    |    |    |   |   |   |   |   |   |   |   |   |   |   |   |   |
|                  |    |       | Low        | 3     | Sense for low level  |    |    |    |    |    |    |    |    |    |    |    |    |    |    |    |    |    |   |   |   |   |   |   |   |   |   |   |   |   |   |

## 20.4 Electrical specification

### 20.4.1 GPIO Electrical Specification

| Symbol          | Description        | Min.      | Typ. | Max. | Units |
|-----------------|--------------------|-----------|------|------|-------|
| V <sub>IH</sub> | Input high voltage | 0.7 x VDD |      | VDD  | V     |

| Symbol                | Description  | Min.    | Typ. | Max.      | Units |
|-----------------------|--|---------|------|-----------|-------|
| V <sub>IL</sub>       | Input low voltage  | VSS     |      | 0.3 x VDD | V     |
| V <sub>OH,SD</sub>    | Output high voltage, standard drive, 0.5 mA, VDD ≥ 1.7           | VDD-0.4 |      | VDD       | V     |
| V <sub>OH,HDH</sub>   | Output high voltage, high drive, 5 mA, VDD ≥ 2.7 V               | VDD-0.4 |      | VDD       | V     |
| V <sub>OH,HDL</sub>   | Output high voltage, high drive, 3 mA, VDD ≥ 1.7 V               | VDD-0.4 |      | VDD       | V     |
| V <sub>OL,SD</sub>    | Output low voltage, standard drive, 0.5 mA, VDD ≥ 1.7            | VSS     |      | VSS+0.4   | V     |
| V <sub>OL,HDH</sub>   | Output low voltage, high drive, 5 mA, VDD ≥ 2.7 V                | VSS     |      | VSS+0.4   | V     |
| V <sub>OL,HDL</sub>   | Output low voltage, high drive, 3 mA, VDD ≥ 1.7 V                | VSS     |      | VSS+0.4   | V     |
| I <sub>OL,SD</sub>    | Current at VSS+0.4 V, output set low, standard drive, VDD ≥ 1.7  | 1       | 2    | 4         | mA    |
| I <sub>OL,HDH</sub>   | Current at VSS+0.4 V, output set low, high drive, VDD ≥ 2.7 V    | 6       | 10   | 15        | mA    |
| I <sub>OL,HDL</sub>   | Current at VSS+0.4 V, output set low, high drive, VDD ≥ 1.7 V    | 3       |      |           | mA    |
| I <sub>OH,SD</sub>    | Current at VDD-0.4 V, output set high, standard drive, VDD ≥ 1.7 | 1       | 2    | 4         | mA    |
| I <sub>OH,HDH</sub>   | Current at VDD-0.4 V, output set high, high drive, VDD ≥ 2.7 V   | 6       | 9    | 14        | mA    |
| I <sub>OH,HDL</sub>   | Current at VDD-0.4 V, output set high, high drive, VDD ≥ 1.7 V   | 3       |      |           | mA    |
| t <sub>RF,15pF</sub>  | Rise/fall time, low drive mode, 10-90%, 15 pF load <sup>1</sup>  |         | 9    |           | ns    |
| t <sub>RF,25pF</sub>  | Rise/fall time, low drive mode, 10-90%, 25 pF load <sup>1</sup>  |         | 13   |           | ns    |
| t <sub>RF,50pF</sub>  | Rise/fall time, low drive mode, 10-90%, 50 pF load <sup>1</sup>  |         | 25   |           | ns    |
| t <sub>HRF,15pF</sub> | Rise/Fall time, high drive mode, 10-90%, 15 pF load <sup>1</sup> |         | 4    |           | ns    |
| t <sub>HRF,25pF</sub> | Rise/Fall time, high drive mode, 10-90%, 25 pF load <sup>1</sup> |         | 5    |           | ns    |
| t <sub>HRF,50pF</sub> | Rise/Fall time, high drive mode, 10-90%, 50 pF load <sup>1</sup> |         | 8    |           | ns    |
| R <sub>PU</sub>       | Pull-up resistance   | 11      | 13   | 16        | kΩ    |
| R <sub>PD</sub>       | Pull-down resistance   | 11      | 13   | 16        | kΩ    |
| C <sub>PAD</sub>      | Pad capacitance  |         | 3    |           | pF    |
| C <sub>PAD_NFC</sub>  | Pad capacitance on NFC pads                                      |         | 4    |           | pF    |
| I <sub>NFC_LEAK</sub> | Leakage current between NFC pads when driven to different states |         | 2    | 10        | μA    |

The current drawn from the battery when GPIO is active as an output is calculated as follows:

$$I_{GPIO} = V_{DD} C_{load} f$$

C<sub>load</sub> being the load capacitance and “f” is the switching frequency.

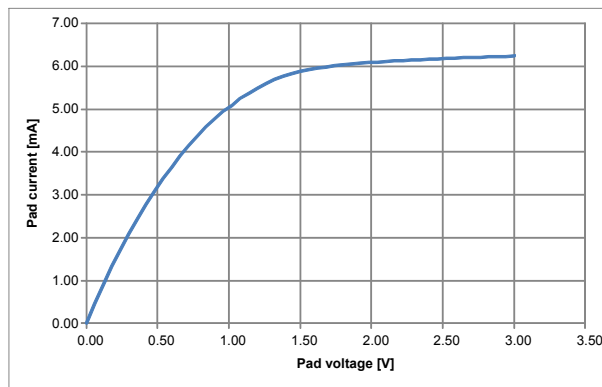


Figure 23: GPIO drive strength vs Voltage, standard drive, VDD = 3.0 V

<sup>1</sup> Rise and fall times based on simulations

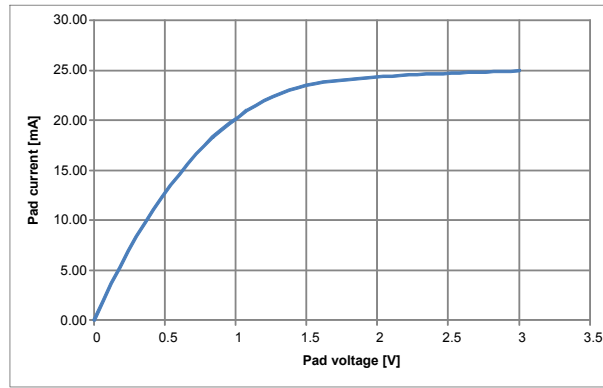


Figure 24: GPIO drive strength vs Voltage, high drive, VDD = 3.0 V

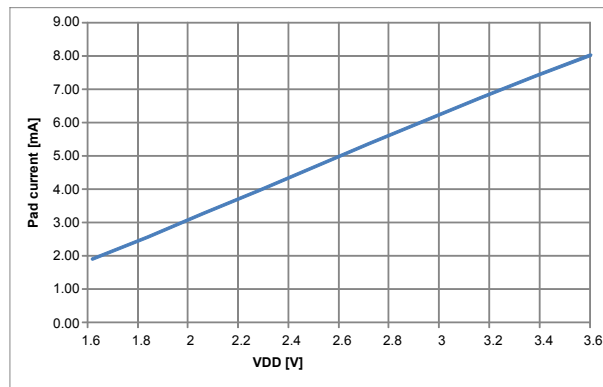


Figure 25: Max sink current vs Voltage, standard drive

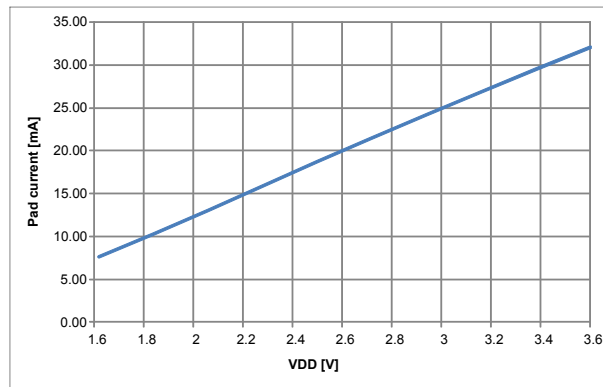


Figure 26: Max sink current vs Voltage, high drive

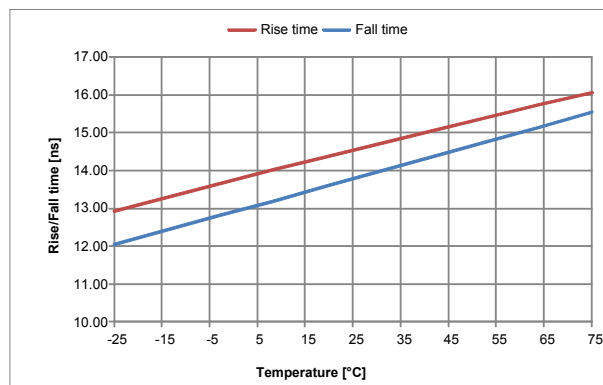


Figure 27: Rise and fall time vs Temperature, 10%-90%, 25pF load capacitance, VDD = 3.0 V

## 21 GPIOTE — GPIO tasks and events

The GPIO tasks and events (GPIOTE) module provides functionality for accessing GPIO pins using tasks and events. Each GPIOTE channel can be assigned to one pin.

A GPIOTE block enables GPIOs to generate events on pin state change which can be used to carry out tasks through the PPI system. A GPIO can also be driven to change state on system events using the PPI system. Low power detection of pin state changes is possible when in System ON or System OFF.

**Table 30: GPIOTE properties**

| Instance | Number of GPIOTE channels |
|----------|---------------------------|
| GPIOTE   | 8                         |

Up to three tasks can be used in each GPIOTE channel for performing write operations to a pin. Two tasks are fixed (SET and CLR), and one (OUT) is configurable to perform following operations:

- Set
- Clear
- Toggle

An event can be generated in each GPIOTE channel from one of the following input conditions:

- Rising edge
- Falling edge
- Any change

### 21.1 Pin events and tasks

The GPIOTE module has a number of tasks and events that can be configured to operate on individual GPIO pins.

The tasks (SET[n], CLR[n] and OUT[n]) can be used for writing to individual pins, and the events (IN[n]) can be generated from changes occurring at the inputs of individual pins.

The SET task will set the pin selected in CONFIG[n].PSEL to high.

The CLR task will set the pin low.

The effect of the OUT task on the pin is configurable in CONFIG[n].POLARITY , and can either set the pin high, set it low, or toggle it.

The tasks and events are configured using the CONFIG[n] registers. Every set of SET, CLR and OUT[n] tasks and IN[n] events has one CONFIG[n] register associated with it.

As long as a SET[n], CLR[n] and OUT[n] task or an IN[n] event is configured to control a pin *n*, the pin's output value will only be updated by the GPIOTE module. The pin's output value as specified in the GPIO will therefore be ignored as long as the pin is controlled by GPIOTE. Attempting to write a pin as a normal GPIO pin will have no effect. When the GPIOTE is disconnected from a pin, see MODE field in CONFIG[n] register, the associated pin will get the output and configuration values specified in the GPIO module.

When conflicting tasks are triggered simultaneously (i.e. during the same clock cycle) in one channel, the precedence of the tasks will be as described in [Table 31: Task priorities](#) on page 157.

**Table 31: Task priorities**

| Priority | Task |
|----------|------|
| 1        | OUT  |
| 2        | CLR  |
| 3        | SET  |

When setting the CONFIG[n] registers, MODE=Disabled does not have the same effect as MODE=Task and POLARITY=None. In the latter case, a CLR or SET task occurring at the exact same time as OUT will end up with no change on the pin, according to the priorities described in the table above.

When a GPIOTE channel is configured to operate on a pin as a task, the initial value of that pin is configured in the OUTINIT field of CONFIG[n].

## 21.2 Port event

PORT is an event that can be generated from multiple input pins using the GPIO DETECT signal.

The event will be generated on the rising edge of the DETECT signal. See [GPIO — General purpose input/output](#) on page 111 for more information about the DETECT signal.

Putting the system into System ON IDLE while DETECT is high will not cause DETECT to wake the system up again. Make sure to clear all DETECT sources before entering sleep. If the LATCH register is used as a source, if any bit in LATCH is still high after clearing all or part of the register (for instance due to one of the PINx.DETECT signal still high), a new rising edge will be generated on DETECT, see [Pin configuration](#) on page 111.

Trying to put the system to System OFF while DETECT is high will cause a wakeup from System OFF reset.

This feature is always enabled although the peripheral itself appears to be IDLE, that is, no clocks or other power intensive infrastructure have to be requested to keep this feature enabled. This feature can therefore be used to wake up the CPU from a WFI or WFE type sleep in System ON with all peripherals and the CPU idle, that is, lowest power consumption in System ON mode.

In order to prevent spurious interrupts from the PORT event while configuring the sources, the user shall first disable interrupts on the PORT event (through INTENCLR.PORT), then configure the sources (PIN\_CNF[n].SENSE), clear any potential event that could have occurred during configuration (write '1' to EVENTS\_PORT), and finally enable interrupts (through INTENSET.PORT).

## 21.3 Tasks and events pin configuration

Each GPIOTE channel is associated with one physical GPIO pin through the CONFIG.PSEL field.

When Event mode is selected in CONFIG.MODE, the pin specified by CONFIG.PSEL will be configured as an input, overriding the DIR setting in GPIO. Similarly, when Task mode is selected in CONFIG.MODE, the pin specified by CONFIG.PSEL will be configured as an output overriding the DIR setting and OUT value in GPIO. When Disabled is selected in CONFIG.MODE, the pin specified by CONFIG.PSEL will use its configuration from the PIN[n].CNF registers in GPIO.

Only one GPIOTE channel can be assigned to one physical pin. Failing to do so may result in unpredictable behavior.

## 21.4 Registers

**Table 32: Instances**

| Base address | Peripheral | Instance | Description           | Configuration |
|--------------|------------|----------|-----------------------|---------------|
| 0x40006000   | GPIOTE     | GPIOTE   | GPIO Tasks and Events |               |

**Table 33: Register Overview**

| Register     | Offset | Description   |
|--------------|--------|---|
| TASKS_OUT[0] | 0x000  | Task for writing to pin specified in CONFIG[0].PSEL. Action on pin is configured in CONFIG[0].POLARITY. |
| TASKS_OUT[1] | 0x004  | Task for writing to pin specified in CONFIG[1].PSEL. Action on pin is configured in CONFIG[1].POLARITY. |

| Register         | Offset | Description   |
|------------------|--------|---|
| TASKS_OUT[2]     | 0x008  | Task for writing to pin specified in CONFIG[2].PSEL. Action on pin is configured in CONFIG[2].POLARITY. |
| TASKS_OUT[3]     | 0x00C  | Task for writing to pin specified in CONFIG[3].PSEL. Action on pin is configured in CONFIG[3].POLARITY. |
| TASKS_OUT[4]     | 0x010  | Task for writing to pin specified in CONFIG[4].PSEL. Action on pin is configured in CONFIG[4].POLARITY. |
| TASKS_OUT[5]     | 0x014  | Task for writing to pin specified in CONFIG[5].PSEL. Action on pin is configured in CONFIG[5].POLARITY. |
| TASKS_OUT[6]     | 0x018  | Task for writing to pin specified in CONFIG[6].PSEL. Action on pin is configured in CONFIG[6].POLARITY. |
| TASKS_OUT[7]     | 0x01C  | Task for writing to pin specified in CONFIG[7].PSEL. Action on pin is configured in CONFIG[7].POLARITY. |
| TASKS_SET[0]     | 0x030  | Task for writing to pin specified in CONFIG[0].PSEL. Action on pin is to set it high.                   |
| TASKS_SET[1]     | 0x034  | Task for writing to pin specified in CONFIG[1].PSEL. Action on pin is to set it high.                   |
| TASKS_SET[2]     | 0x038  | Task for writing to pin specified in CONFIG[2].PSEL. Action on pin is to set it high.                   |
| TASKS_SET[3]     | 0x03C  | Task for writing to pin specified in CONFIG[3].PSEL. Action on pin is to set it high.                   |
| TASKS_SET[4]     | 0x040  | Task for writing to pin specified in CONFIG[4].PSEL. Action on pin is to set it high.                   |
| TASKS_SET[5]     | 0x044  | Task for writing to pin specified in CONFIG[5].PSEL. Action on pin is to set it high.                   |
| TASKS_SET[6]     | 0x048  | Task for writing to pin specified in CONFIG[6].PSEL. Action on pin is to set it high.                   |
| TASKS_SET[7]     | 0x04C  | Task for writing to pin specified in CONFIG[7].PSEL. Action on pin is to set it high.                   |
| TASKS_CLR[0]     | 0x060  | Task for writing to pin specified in CONFIG[0].PSEL. Action on pin is to set it low.                    |
| TASKS_CLR[1]     | 0x064  | Task for writing to pin specified in CONFIG[1].PSEL. Action on pin is to set it low.                    |
| TASKS_CLR[2]     | 0x068  | Task for writing to pin specified in CONFIG[2].PSEL. Action on pin is to set it low.                    |
| TASKS_CLR[3]     | 0x06C  | Task for writing to pin specified in CONFIG[3].PSEL. Action on pin is to set it low.                    |
| TASKS_CLR[4]     | 0x070  | Task for writing to pin specified in CONFIG[4].PSEL. Action on pin is to set it low.                    |
| TASKS_CLR[5]     | 0x074  | Task for writing to pin specified in CONFIG[5].PSEL. Action on pin is to set it low.                    |
| TASKS_CLR[6]     | 0x078  | Task for writing to pin specified in CONFIG[6].PSEL. Action on pin is to set it low.                    |
| TASKS_CLR[7]     | 0x07C  | Task for writing to pin specified in CONFIG[7].PSEL. Action on pin is to set it low.                    |
| EVENTS_IN[0]     | 0x100  | Event generated from pin specified in CONFIG[0].PSEL  |
| EVENTS_IN[1]     | 0x104  | Event generated from pin specified in CONFIG[1].PSEL  |
| EVENTS_IN[2]     | 0x108  | Event generated from pin specified in CONFIG[2].PSEL  |
| EVENTS_IN[3]     | 0x10C  | Event generated from pin specified in CONFIG[3].PSEL  |
| EVENTS_IN[4]     | 0x110  | Event generated from pin specified in CONFIG[4].PSEL  |
| EVENTS_IN[5]     | 0x114  | Event generated from pin specified in CONFIG[5].PSEL  |
| EVENTS_IN[6]     | 0x118  | Event generated from pin specified in CONFIG[6].PSEL  |
| EVENTS_IN[7]     | 0x11C  | Event generated from pin specified in CONFIG[7].PSEL  |
| EVENTS_PORT      | 0x17C  | Event generated from multiple input GPIO pins with SENSE mechanism enabled                              |
| <i>INTENSET</i>  | 0x304  | Enable interrupt  |
| <i>INTENCLR</i>  | 0x308  | Disable interrupt   |
| <i>CONFIG[0]</i> | 0x510  | Configuration for OUT[n], SET[n] and CLR[n] tasks and IN[n] event                                       |
| <i>CONFIG[1]</i> | 0x514  | Configuration for OUT[n], SET[n] and CLR[n] tasks and IN[n] event                                       |
| <i>CONFIG[2]</i> | 0x518  | Configuration for OUT[n], SET[n] and CLR[n] tasks and IN[n] event                                       |
| <i>CONFIG[3]</i> | 0x51C  | Configuration for OUT[n], SET[n] and CLR[n] tasks and IN[n] event                                       |
| <i>CONFIG[4]</i> | 0x520  | Configuration for OUT[n], SET[n] and CLR[n] tasks and IN[n] event                                       |
| <i>CONFIG[5]</i> | 0x524  | Configuration for OUT[n], SET[n] and CLR[n] tasks and IN[n] event                                       |
| <i>CONFIG[6]</i> | 0x528  | Configuration for OUT[n], SET[n] and CLR[n] tasks and IN[n] event                                       |
| <i>CONFIG[7]</i> | 0x52C  | Configuration for OUT[n], SET[n] and CLR[n] tasks and IN[n] event                                       |

### 21.4.1 INTENSET

Address offset: 0x304

Enable interrupt

| Bit number       | 31 | 30    | 29       | 28    | 27  | 26 | 25 | 24 | 23 | 22 | 21 | 20 | 19 | 18 | 17 | 16 | 15 | 14 | 13 | 12 | 11 | 10 | 9 | 8 | 7 | 6 | 5 | 4 | 3 | 2 | 1 | 0 |   |   |   |   |
|------------------|----|-------|----------|-------|---|----|----|----|----|----|----|----|----|----|----|----|----|----|----|----|----|----|---|---|---|---|---|---|---|---|---|---|---|---|---|---|
| Id               |    |       |          |       |   |    |    |    |    |    |    |    |    |    |    |    | I  |    |    |    |    |    |   |   |   |   |   |   | H | G | F | E | D | C | B | A |
| Reset 0x00000000 | 0  | 0     | 0        | 0     | 0   | 0  | 0  | 0  | 0  | 0  | 0  | 0  | 0  | 0  | 0  | 0  | 0  | 0  | 0  | 0  | 0  | 0  | 0 | 0 | 0 | 0 | 0 | 0 | 0 | 0 | 0 | 0 | 0 |   |   |   |
| Id               | RW | Field | Value Id | Value | Description                                   |    |    |    |    |    |    |    |    |    |    |    |    |    |    |    |    |    |   |   |   |   |   |   |   |   |   |   |   |   |   |   |
| A                | RW | IN0   |          |       | Write '1' to Enable interrupt for IN[0] event |    |    |    |    |    |    |    |    |    |    |    |    |    |    |    |    |    |   |   |   |   |   |   |   |   |   |   |   |   |   |   |

| Bit number       | 31 30 29 28 27 26 25 24 23 22 21 20 19 18 17 16 15 14 13 12 11 10 9 8 7 6 5 4 3 2 1 0 |       |          |       |   |  |  |  |  |  |  |  |  |  |  |  |  |  |  |  |  |  |  |  |                 |  |  |  |  |  |  |
|------------------|---|-------|----------|-------|---|--|--|--|--|--|--|--|--|--|--|--|--|--|--|--|--|--|--|--|-----------------|--|--|--|--|--|--|
| Id               | I   |       |          |       |   |  |  |  |  |  |  |  |  |  |  |  |  |  |  |  |  |  |  |  | H G F E D C B A |  |  |  |  |  |  |
| Reset 0x00000000 | 0             |       |          |       |   |  |  |  |  |  |  |  |  |  |  |  |  |  |  |  |  |  |  |  |                 |  |  |  |  |  |  |
| Id               | RW  | Field | Value Id | Value | Description                                   |  |  |  |  |  |  |  |  |  |  |  |  |  |  |  |  |  |  |  |                 |  |  |  |  |  |  |
|                  |   |       |          |       | See <a href="#">EVENTS_IN[0]</a>              |  |  |  |  |  |  |  |  |  |  |  |  |  |  |  |  |  |  |  |                 |  |  |  |  |  |  |
|                  |   |       | Set      | 1     | Enable  |  |  |  |  |  |  |  |  |  |  |  |  |  |  |  |  |  |  |  |                 |  |  |  |  |  |  |
|                  |   |       | Disabled | 0     | Read: Disabled                                |  |  |  |  |  |  |  |  |  |  |  |  |  |  |  |  |  |  |  |                 |  |  |  |  |  |  |
|                  |   |       | Enabled  | 1     | Read: Enabled                                 |  |  |  |  |  |  |  |  |  |  |  |  |  |  |  |  |  |  |  |                 |  |  |  |  |  |  |
| B                | RW  | IN1   |          |       | Write '1' to Enable interrupt for IN[1] event |  |  |  |  |  |  |  |  |  |  |  |  |  |  |  |  |  |  |  |                 |  |  |  |  |  |  |
|                  |   |       |          |       | See <a href="#">EVENTS_IN[1]</a>              |  |  |  |  |  |  |  |  |  |  |  |  |  |  |  |  |  |  |  |                 |  |  |  |  |  |  |
|                  |   |       | Set      | 1     | Enable  |  |  |  |  |  |  |  |  |  |  |  |  |  |  |  |  |  |  |  |                 |  |  |  |  |  |  |
|                  |   |       | Disabled | 0     | Read: Disabled                                |  |  |  |  |  |  |  |  |  |  |  |  |  |  |  |  |  |  |  |                 |  |  |  |  |  |  |
|                  |   |       | Enabled  | 1     | Read: Enabled                                 |  |  |  |  |  |  |  |  |  |  |  |  |  |  |  |  |  |  |  |                 |  |  |  |  |  |  |
| C                | RW  | IN2   |          |       | Write '1' to Enable interrupt for IN[2] event |  |  |  |  |  |  |  |  |  |  |  |  |  |  |  |  |  |  |  |                 |  |  |  |  |  |  |
|                  |   |       |          |       | See <a href="#">EVENTS_IN[2]</a>              |  |  |  |  |  |  |  |  |  |  |  |  |  |  |  |  |  |  |  |                 |  |  |  |  |  |  |
|                  |   |       | Set      | 1     | Enable  |  |  |  |  |  |  |  |  |  |  |  |  |  |  |  |  |  |  |  |                 |  |  |  |  |  |  |
|                  |   |       | Disabled | 0     | Read: Disabled                                |  |  |  |  |  |  |  |  |  |  |  |  |  |  |  |  |  |  |  |                 |  |  |  |  |  |  |
|                  |   |       | Enabled  | 1     | Read: Enabled                                 |  |  |  |  |  |  |  |  |  |  |  |  |  |  |  |  |  |  |  |                 |  |  |  |  |  |  |
| D                | RW  | IN3   |          |       | Write '1' to Enable interrupt for IN[3] event |  |  |  |  |  |  |  |  |  |  |  |  |  |  |  |  |  |  |  |                 |  |  |  |  |  |  |
|                  |   |       |          |       | See <a href="#">EVENTS_IN[3]</a>              |  |  |  |  |  |  |  |  |  |  |  |  |  |  |  |  |  |  |  |                 |  |  |  |  |  |  |
|                  |   |       | Set      | 1     | Enable  |  |  |  |  |  |  |  |  |  |  |  |  |  |  |  |  |  |  |  |                 |  |  |  |  |  |  |
|                  |   |       | Disabled | 0     | Read: Disabled                                |  |  |  |  |  |  |  |  |  |  |  |  |  |  |  |  |  |  |  |                 |  |  |  |  |  |  |
|                  |   |       | Enabled  | 1     | Read: Enabled                                 |  |  |  |  |  |  |  |  |  |  |  |  |  |  |  |  |  |  |  |                 |  |  |  |  |  |  |
| E                | RW  | IN4   |          |       | Write '1' to Enable interrupt for IN[4] event |  |  |  |  |  |  |  |  |  |  |  |  |  |  |  |  |  |  |  |                 |  |  |  |  |  |  |
|                  |   |       |          |       | See <a href="#">EVENTS_IN[4]</a>              |  |  |  |  |  |  |  |  |  |  |  |  |  |  |  |  |  |  |  |                 |  |  |  |  |  |  |
|                  |   |       | Set      | 1     | Enable  |  |  |  |  |  |  |  |  |  |  |  |  |  |  |  |  |  |  |  |                 |  |  |  |  |  |  |
|                  |   |       | Disabled | 0     | Read: Disabled                                |  |  |  |  |  |  |  |  |  |  |  |  |  |  |  |  |  |  |  |                 |  |  |  |  |  |  |
|                  |   |       | Enabled  | 1     | Read: Enabled                                 |  |  |  |  |  |  |  |  |  |  |  |  |  |  |  |  |  |  |  |                 |  |  |  |  |  |  |
| F                | RW  | IN5   |          |       | Write '1' to Enable interrupt for IN[5] event |  |  |  |  |  |  |  |  |  |  |  |  |  |  |  |  |  |  |  |                 |  |  |  |  |  |  |
|                  |   |       |          |       | See <a href="#">EVENTS_IN[5]</a>              |  |  |  |  |  |  |  |  |  |  |  |  |  |  |  |  |  |  |  |                 |  |  |  |  |  |  |
|                  |   |       | Set      | 1     | Enable  |  |  |  |  |  |  |  |  |  |  |  |  |  |  |  |  |  |  |  |                 |  |  |  |  |  |  |
|                  |   |       | Disabled | 0     | Read: Disabled                                |  |  |  |  |  |  |  |  |  |  |  |  |  |  |  |  |  |  |  |                 |  |  |  |  |  |  |
|                  |   |       | Enabled  | 1     | Read: Enabled                                 |  |  |  |  |  |  |  |  |  |  |  |  |  |  |  |  |  |  |  |                 |  |  |  |  |  |  |
| G                | RW  | IN6   |          |       | Write '1' to Enable interrupt for IN[6] event |  |  |  |  |  |  |  |  |  |  |  |  |  |  |  |  |  |  |  |                 |  |  |  |  |  |  |
|                  |   |       |          |       | See <a href="#">EVENTS_IN[6]</a>              |  |  |  |  |  |  |  |  |  |  |  |  |  |  |  |  |  |  |  |                 |  |  |  |  |  |  |
|                  |   |       | Set      | 1     | Enable  |  |  |  |  |  |  |  |  |  |  |  |  |  |  |  |  |  |  |  |                 |  |  |  |  |  |  |
|                  |   |       | Disabled | 0     | Read: Disabled                                |  |  |  |  |  |  |  |  |  |  |  |  |  |  |  |  |  |  |  |                 |  |  |  |  |  |  |
|                  |   |       | Enabled  | 1     | Read: Enabled                                 |  |  |  |  |  |  |  |  |  |  |  |  |  |  |  |  |  |  |  |                 |  |  |  |  |  |  |
| H                | RW  | IN7   |          |       | Write '1' to Enable interrupt for IN[7] event |  |  |  |  |  |  |  |  |  |  |  |  |  |  |  |  |  |  |  |                 |  |  |  |  |  |  |
|                  |   |       |          |       | See <a href="#">EVENTS_IN[7]</a>              |  |  |  |  |  |  |  |  |  |  |  |  |  |  |  |  |  |  |  |                 |  |  |  |  |  |  |
|                  |   |       | Set      | 1     | Enable  |  |  |  |  |  |  |  |  |  |  |  |  |  |  |  |  |  |  |  |                 |  |  |  |  |  |  |
|                  |   |       | Disabled | 0     | Read: Disabled                                |  |  |  |  |  |  |  |  |  |  |  |  |  |  |  |  |  |  |  |                 |  |  |  |  |  |  |
|                  |   |       | Enabled  | 1     | Read: Enabled                                 |  |  |  |  |  |  |  |  |  |  |  |  |  |  |  |  |  |  |  |                 |  |  |  |  |  |  |
| I                | RW  | PORT  |          |       | Write '1' to Enable interrupt for PORT event  |  |  |  |  |  |  |  |  |  |  |  |  |  |  |  |  |  |  |  |                 |  |  |  |  |  |  |
|                  |   |       |          |       | See <a href="#">EVENTS_PORT</a>               |  |  |  |  |  |  |  |  |  |  |  |  |  |  |  |  |  |  |  |                 |  |  |  |  |  |  |
|                  |   |       | Set      | 1     | Enable  |  |  |  |  |  |  |  |  |  |  |  |  |  |  |  |  |  |  |  |                 |  |  |  |  |  |  |
|                  |   |       | Disabled | 0     | Read: Disabled                                |  |  |  |  |  |  |  |  |  |  |  |  |  |  |  |  |  |  |  |                 |  |  |  |  |  |  |
|                  |   |       | Enabled  | 1     | Read: Enabled                                 |  |  |  |  |  |  |  |  |  |  |  |  |  |  |  |  |  |  |  |                 |  |  |  |  |  |  |

### 21.4.2 INTENCLR

Address offset: 0x308

Disable interrupt



| Bit number       | 31 30 29 28 27 26 25 24 23 22 21 20 19 18 17 16 15 14 13 12 11 10 9 8 7 6 5 4 3 2 1 0 |       |          |    |       |  |  |  |  |  |  |  |  |  |  |  |                 |  |  |  |  |  |  |  |  |  |  |  |  |  |  |
|------------------|---|-------|----------|----|-------|--|--|--|--|--|--|--|--|--|--|--|-----------------|--|--|--|--|--|--|--|--|--|--|--|--|--|--|
| Id               | I   |       |          |    |       |  |  |  |  |  |  |  |  |  |  |  | H G F E D C B A |  |  |  |  |  |  |  |  |  |  |  |  |  |  |
| Reset 0x00000000 | 0             |       |          |    |       |  |  |  |  |  |  |  |  |  |  |  |                 |  |  |  |  |  |  |  |  |  |  |  |  |  |  |
| Id               | RW  | Field | Value    | Id | Value | Description                                    |  |  |  |  |  |  |  |  |  |  |                 |  |  |  |  |  |  |  |  |  |  |  |  |  |  |
| A                | RW  | IN0   |          |    |       | Write '1' to Disable interrupt for IN[0] event |  |  |  |  |  |  |  |  |  |  |                 |  |  |  |  |  |  |  |  |  |  |  |  |  |  |
|                  |   |       |          |    |       | See <a href="#">EVENTS_IN[0]</a>               |  |  |  |  |  |  |  |  |  |  |                 |  |  |  |  |  |  |  |  |  |  |  |  |  |  |
|                  |   |       | Clear    | 1  |       | Disable  |  |  |  |  |  |  |  |  |  |  |                 |  |  |  |  |  |  |  |  |  |  |  |  |  |  |
|                  |   |       | Disabled | 0  |       | Read: Disabled                                 |  |  |  |  |  |  |  |  |  |  |                 |  |  |  |  |  |  |  |  |  |  |  |  |  |  |
|                  |   |       | Enabled  | 1  |       | Read: Enabled                                  |  |  |  |  |  |  |  |  |  |  |                 |  |  |  |  |  |  |  |  |  |  |  |  |  |  |
| B                | RW  | IN1   |          |    |       | Write '1' to Disable interrupt for IN[1] event |  |  |  |  |  |  |  |  |  |  |                 |  |  |  |  |  |  |  |  |  |  |  |  |  |  |
|                  |   |       |          |    |       | See <a href="#">EVENTS_IN[1]</a>               |  |  |  |  |  |  |  |  |  |  |                 |  |  |  |  |  |  |  |  |  |  |  |  |  |  |
|                  |   |       | Clear    | 1  |       | Disable  |  |  |  |  |  |  |  |  |  |  |                 |  |  |  |  |  |  |  |  |  |  |  |  |  |  |
|                  |   |       | Disabled | 0  |       | Read: Disabled                                 |  |  |  |  |  |  |  |  |  |  |                 |  |  |  |  |  |  |  |  |  |  |  |  |  |  |
|                  |   |       | Enabled  | 1  |       | Read: Enabled                                  |  |  |  |  |  |  |  |  |  |  |                 |  |  |  |  |  |  |  |  |  |  |  |  |  |  |
| C                | RW  | IN2   |          |    |       | Write '1' to Disable interrupt for IN[2] event |  |  |  |  |  |  |  |  |  |  |                 |  |  |  |  |  |  |  |  |  |  |  |  |  |  |
|                  |   |       |          |    |       | See <a href="#">EVENTS_IN[2]</a>               |  |  |  |  |  |  |  |  |  |  |                 |  |  |  |  |  |  |  |  |  |  |  |  |  |  |
|                  |   |       | Clear    | 1  |       | Disable  |  |  |  |  |  |  |  |  |  |  |                 |  |  |  |  |  |  |  |  |  |  |  |  |  |  |
|                  |   |       | Disabled | 0  |       | Read: Disabled                                 |  |  |  |  |  |  |  |  |  |  |                 |  |  |  |  |  |  |  |  |  |  |  |  |  |  |
|                  |   |       | Enabled  | 1  |       | Read: Enabled                                  |  |  |  |  |  |  |  |  |  |  |                 |  |  |  |  |  |  |  |  |  |  |  |  |  |  |
| D                | RW  | IN3   |          |    |       | Write '1' to Disable interrupt for IN[3] event |  |  |  |  |  |  |  |  |  |  |                 |  |  |  |  |  |  |  |  |  |  |  |  |  |  |
|                  |   |       |          |    |       | See <a href="#">EVENTS_IN[3]</a>               |  |  |  |  |  |  |  |  |  |  |                 |  |  |  |  |  |  |  |  |  |  |  |  |  |  |
|                  |   |       | Clear    | 1  |       | Disable  |  |  |  |  |  |  |  |  |  |  |                 |  |  |  |  |  |  |  |  |  |  |  |  |  |  |
|                  |   |       | Disabled | 0  |       | Read: Disabled                                 |  |  |  |  |  |  |  |  |  |  |                 |  |  |  |  |  |  |  |  |  |  |  |  |  |  |
|                  |   |       | Enabled  | 1  |       | Read: Enabled                                  |  |  |  |  |  |  |  |  |  |  |                 |  |  |  |  |  |  |  |  |  |  |  |  |  |  |
| E                | RW  | IN4   |          |    |       | Write '1' to Disable interrupt for IN[4] event |  |  |  |  |  |  |  |  |  |  |                 |  |  |  |  |  |  |  |  |  |  |  |  |  |  |
|                  |   |       |          |    |       | See <a href="#">EVENTS_IN[4]</a>               |  |  |  |  |  |  |  |  |  |  |                 |  |  |  |  |  |  |  |  |  |  |  |  |  |  |
|                  |   |       | Clear    | 1  |       | Disable  |  |  |  |  |  |  |  |  |  |  |                 |  |  |  |  |  |  |  |  |  |  |  |  |  |  |
|                  |   |       | Disabled | 0  |       | Read: Disabled                                 |  |  |  |  |  |  |  |  |  |  |                 |  |  |  |  |  |  |  |  |  |  |  |  |  |  |
|                  |   |       | Enabled  | 1  |       | Read: Enabled                                  |  |  |  |  |  |  |  |  |  |  |                 |  |  |  |  |  |  |  |  |  |  |  |  |  |  |
| F                | RW  | IN5   |          |    |       | Write '1' to Disable interrupt for IN[5] event |  |  |  |  |  |  |  |  |  |  |                 |  |  |  |  |  |  |  |  |  |  |  |  |  |  |
|                  |   |       |          |    |       | See <a href="#">EVENTS_IN[5]</a>               |  |  |  |  |  |  |  |  |  |  |                 |  |  |  |  |  |  |  |  |  |  |  |  |  |  |
|                  |   |       | Clear    | 1  |       | Disable  |  |  |  |  |  |  |  |  |  |  |                 |  |  |  |  |  |  |  |  |  |  |  |  |  |  |
|                  |   |       | Disabled | 0  |       | Read: Disabled                                 |  |  |  |  |  |  |  |  |  |  |                 |  |  |  |  |  |  |  |  |  |  |  |  |  |  |
|                  |   |       | Enabled  | 1  |       | Read: Enabled                                  |  |  |  |  |  |  |  |  |  |  |                 |  |  |  |  |  |  |  |  |  |  |  |  |  |  |
| G                | RW  | IN6   |          |    |       | Write '1' to Disable interrupt for IN[6] event |  |  |  |  |  |  |  |  |  |  |                 |  |  |  |  |  |  |  |  |  |  |  |  |  |  |
|                  |   |       |          |    |       | See <a href="#">EVENTS_IN[6]</a>               |  |  |  |  |  |  |  |  |  |  |                 |  |  |  |  |  |  |  |  |  |  |  |  |  |  |
|                  |   |       | Clear    | 1  |       | Disable  |  |  |  |  |  |  |  |  |  |  |                 |  |  |  |  |  |  |  |  |  |  |  |  |  |  |
|                  |   |       | Disabled | 0  |       | Read: Disabled                                 |  |  |  |  |  |  |  |  |  |  |                 |  |  |  |  |  |  |  |  |  |  |  |  |  |  |
|                  |   |       | Enabled  | 1  |       | Read: Enabled                                  |  |  |  |  |  |  |  |  |  |  |                 |  |  |  |  |  |  |  |  |  |  |  |  |  |  |
| H                | RW  | IN7   |          |    |       | Write '1' to Disable interrupt for IN[7] event |  |  |  |  |  |  |  |  |  |  |                 |  |  |  |  |  |  |  |  |  |  |  |  |  |  |
|                  |   |       |          |    |       | See <a href="#">EVENTS_IN[7]</a>               |  |  |  |  |  |  |  |  |  |  |                 |  |  |  |  |  |  |  |  |  |  |  |  |  |  |
|                  |   |       | Clear    | 1  |       | Disable  |  |  |  |  |  |  |  |  |  |  |                 |  |  |  |  |  |  |  |  |  |  |  |  |  |  |
|                  |   |       | Disabled | 0  |       | Read: Disabled                                 |  |  |  |  |  |  |  |  |  |  |                 |  |  |  |  |  |  |  |  |  |  |  |  |  |  |
|                  |   |       | Enabled  | 1  |       | Read: Enabled                                  |  |  |  |  |  |  |  |  |  |  |                 |  |  |  |  |  |  |  |  |  |  |  |  |  |  |
| I                | RW  | PORT  |          |    |       | Write '1' to Disable interrupt for PORT event  |  |  |  |  |  |  |  |  |  |  |                 |  |  |  |  |  |  |  |  |  |  |  |  |  |  |
|                  |   |       |          |    |       | See <a href="#">EVENTS_PORT</a>                |  |  |  |  |  |  |  |  |  |  |                 |  |  |  |  |  |  |  |  |  |  |  |  |  |  |
|                  |   |       | Clear    | 1  |       | Disable  |  |  |  |  |  |  |  |  |  |  |                 |  |  |  |  |  |  |  |  |  |  |  |  |  |  |
|                  |   |       | Disabled | 0  |       | Read: Disabled                                 |  |  |  |  |  |  |  |  |  |  |                 |  |  |  |  |  |  |  |  |  |  |  |  |  |  |
|                  |   |       | Enabled  | 1  |       | Read: Enabled                                  |  |  |  |  |  |  |  |  |  |  |                 |  |  |  |  |  |  |  |  |  |  |  |  |  |  |

### 21.4.3 CONFIG[0]

Address offset: 0x510

Configuration for OUT[n], SET[n] and CLR[n] tasks and IN[n] event

| Bit number       | 31 30 29 28 27 26 25 24 23 22 21 20 19 18 17 16 15 14 13 12 11 10 9 8 7 6 5 4 3 2 1 0 |          |          |         |   |  |  |  |  |  |  |  |  |  |  |  |   |   |   |   |  |  |  |   |   |   |   |   |  |   |  |  |
|------------------|---|----------|----------|---------|---|--|--|--|--|--|--|--|--|--|--|--|---|---|---|---|--|--|--|---|---|---|---|---|--|---|--|--|
| Id               |   |          |          |         |   |  |  |  |  |  |  |  |  |  |  |  | D | C | C | B |  |  |  | B | B | B | B | A |  | A |  |  |
| Reset 0x00000000 | 0   |          |          |         |   |  |  |  |  |  |  |  |  |  |  |  |   |   |   |   |  |  |  |   |   |   |   |   |  |   |  |  |
| Id               | RW  | Field    | Value Id | Value   | Description   |  |  |  |  |  |  |  |  |  |  |  |   |   |   |   |  |  |  |   |   |   |   |   |  |   |  |  |
| A                | RW  | MODE     | Disabled | 0       | Mode Disabled. Pin specified by PSEL will not be acquired by the GPIOTE module.   |  |  |  |  |  |  |  |  |  |  |  |   |   |   |   |  |  |  |   |   |   |   |   |  |   |  |  |
|                  |   |          | Event    | 1       | Event mode The pin specified by PSEL will be configured as an input and the IN[n] event will be generated if operation specified in POLARITY occurs on the pin.   |  |  |  |  |  |  |  |  |  |  |  |   |   |   |   |  |  |  |   |   |   |   |   |  |   |  |  |
|                  |   |          | Task     | 3       | Task mode The GPIO specified by PSEL will be configured as an output and triggering the SET[n], CLR[n] or OUT[n] task will perform the operation specified by POLARITY on the pin. When enabled as a task the GPIOTE module will acquire the pin and the pin can no longer be written as a regular output pin from the GPIO module. |  |  |  |  |  |  |  |  |  |  |  |   |   |   |   |  |  |  |   |   |   |   |   |  |   |  |  |
|                  |   |          |          |         |   |  |  |  |  |  |  |  |  |  |  |  |   |   |   |   |  |  |  |   |   |   |   |   |  |   |  |  |
| B                | RW  | PSEL     |          | [0..31] | GPIO number associated with SET[n], CLR[n] and OUT[n] tasks and IN[n] event   |  |  |  |  |  |  |  |  |  |  |  |   |   |   |   |  |  |  |   |   |   |   |   |  |   |  |  |
| C                | RW  | POLARITY |          |         | When In task mode: Operation to be performed on output when OUT[n] task is triggered. When In event mode: Operation on input that shall trigger IN[n] event.  |  |  |  |  |  |  |  |  |  |  |  |   |   |   |   |  |  |  |   |   |   |   |   |  |   |  |  |
|                  |   |          | None     | 0       | Task mode: No effect on pin from OUT[n] task. Event mode: no IN[n] event generated on pin activity.   |  |  |  |  |  |  |  |  |  |  |  |   |   |   |   |  |  |  |   |   |   |   |   |  |   |  |  |
|                  |   |          | LoToHi   | 1       | Task mode: Set pin from OUT[n] task. Event mode: Generate IN[n] event when rising edge on pin.  |  |  |  |  |  |  |  |  |  |  |  |   |   |   |   |  |  |  |   |   |   |   |   |  |   |  |  |
|                  |   |          | HiToLo   | 2       | Task mode: Clear pin from OUT[n] task. Event mode: Generate IN[n] event when falling edge on pin.   |  |  |  |  |  |  |  |  |  |  |  |   |   |   |   |  |  |  |   |   |   |   |   |  |   |  |  |
|                  |   |          | Toggle   | 3       | Task mode: Toggle pin from OUT[n]. Event mode: Generate IN[n] when any change on pin.   |  |  |  |  |  |  |  |  |  |  |  |   |   |   |   |  |  |  |   |   |   |   |   |  |   |  |  |
| D                | RW  | OUTINIT  |          |         | When in task mode: Initial value of the output when the GPIOTE channel is configured. When in event mode: No effect.  |  |  |  |  |  |  |  |  |  |  |  |   |   |   |   |  |  |  |   |   |   |   |   |  |   |  |  |
|                  |   |          | Low      | 0       | Task mode: Initial value of pin before task triggering is low   |  |  |  |  |  |  |  |  |  |  |  |   |   |   |   |  |  |  |   |   |   |   |   |  |   |  |  |
|                  |   |          | High     | 1       | Task mode: Initial value of pin before task triggering is high  |  |  |  |  |  |  |  |  |  |  |  |   |   |   |   |  |  |  |   |   |   |   |   |  |   |  |  |

### 21.4.4 CONFIG[1]

Address offset: 0x514

Configuration for OUT[n], SET[n] and CLR[n] tasks and IN[n] event

| Bit number       | 31 30 29 28 27 26 25 24 23 22 21 20 19 18 17 16 15 14 13 12 11 10 9 8 7 6 5 4 3 2 1 0 |       |          |       |   |  |  |  |  |  |  |  |  |  |  |  |   |   |   |   |  |  |  |   |   |   |   |   |  |   |  |  |
|------------------|---|-------|----------|-------|---|--|--|--|--|--|--|--|--|--|--|--|---|---|---|---|--|--|--|---|---|---|---|---|--|---|--|--|
| Id               |   |       |          |       |   |  |  |  |  |  |  |  |  |  |  |  | D | C | C | B |  |  |  | B | B | B | B | A |  | A |  |  |
| Reset 0x00000000 | 0   |       |          |       |   |  |  |  |  |  |  |  |  |  |  |  |   |   |   |   |  |  |  |   |   |   |   |   |  |   |  |  |
| Id               | RW  | Field | Value Id | Value | Description   |  |  |  |  |  |  |  |  |  |  |  |   |   |   |   |  |  |  |   |   |   |   |   |  |   |  |  |
| A                | RW  | MODE  | Disabled | 0     | Mode Disabled. Pin specified by PSEL will not be acquired by the GPIOTE module.   |  |  |  |  |  |  |  |  |  |  |  |   |   |   |   |  |  |  |   |   |   |   |   |  |   |  |  |
|                  |   |       | Event    | 1     | Event mode The pin specified by PSEL will be configured as an input and the IN[n] event will be generated if operation specified in POLARITY occurs on the pin.   |  |  |  |  |  |  |  |  |  |  |  |   |   |   |   |  |  |  |   |   |   |   |   |  |   |  |  |
|                  |   |       | Task     | 3     | Task mode The GPIO specified by PSEL will be configured as an output and triggering the SET[n], CLR[n] or OUT[n] task will perform the operation specified by POLARITY on the pin. When enabled as a task the GPIOTE module will acquire the pin and the pin can no longer be written as a regular output pin from the GPIO module. |  |  |  |  |  |  |  |  |  |  |  |   |   |   |   |  |  |  |   |   |   |   |   |  |   |  |  |
|                  |   |       |          |       |   |  |  |  |  |  |  |  |  |  |  |  |   |   |   |   |  |  |  |   |   |   |   |   |  |   |  |  |

| Bit number       | 31 30 29 28 27 26 25 24 23 22 21 20 19 18 17 16 15 14 13 12 11 10 9 8 7 6 5 4 3 2 1 0 |          |          |         |  |  |  |  |  |  |  |  |  |  |  |  |     |  |  |  |  |  |  |  |  |  |  |  |  |  |  |  |
|------------------|---|----------|----------|---------|--|--|--|--|--|--|--|--|--|--|--|--|-----|--|--|--|--|--|--|--|--|--|--|--|--|--|--|--|
| Id               | D C C B B B B B   |          |          |         |  |  |  |  |  |  |  |  |  |  |  |  | A A |  |  |  |  |  |  |  |  |  |  |  |  |  |  |  |
| Reset 0x00000000 | 0           |          |          |         |  |  |  |  |  |  |  |  |  |  |  |  |     |  |  |  |  |  |  |  |  |  |  |  |  |  |  |  |
| Id               | RW  | Field    | Value Id | Value   | Description  |  |  |  |  |  |  |  |  |  |  |  |     |  |  |  |  |  |  |  |  |  |  |  |  |  |  |  |
| B                | RW  | PSEL     |          | [0..31] | GPIO number associated with SET[n], CLR[n] and OUT[n] tasks and IN[n] event  |  |  |  |  |  |  |  |  |  |  |  |     |  |  |  |  |  |  |  |  |  |  |  |  |  |  |  |
| C                | RW  | POLARITY |          |         | When In task mode: Operation to be performed on output when OUT[n] task is triggered. When In event mode: Operation on input that shall trigger IN[n] event. |  |  |  |  |  |  |  |  |  |  |  |     |  |  |  |  |  |  |  |  |  |  |  |  |  |  |  |
|                  |   |          | None     | 0       | Task mode: No effect on pin from OUT[n] task. Event mode: no IN[n] event generated on pin activity.  |  |  |  |  |  |  |  |  |  |  |  |     |  |  |  |  |  |  |  |  |  |  |  |  |  |  |  |
|                  |   |          | LoToHi   | 1       | Task mode: Set pin from OUT[n] task. Event mode: Generate IN[n] event when rising edge on pin.   |  |  |  |  |  |  |  |  |  |  |  |     |  |  |  |  |  |  |  |  |  |  |  |  |  |  |  |
|                  |   |          | HiToLo   | 2       | Task mode: Clear pin from OUT[n] task. Event mode: Generate IN[n] event when falling edge on pin.  |  |  |  |  |  |  |  |  |  |  |  |     |  |  |  |  |  |  |  |  |  |  |  |  |  |  |  |
|                  |   |          | Toggle   | 3       | Task mode: Toggle pin from OUT[n]. Event mode: Generate IN[n] when any change on pin.  |  |  |  |  |  |  |  |  |  |  |  |     |  |  |  |  |  |  |  |  |  |  |  |  |  |  |  |
| D                | RW  | OUTINIT  |          |         | When in task mode: Initial value of the output when the GPIOTE channel is configured. When in event mode: No effect.   |  |  |  |  |  |  |  |  |  |  |  |     |  |  |  |  |  |  |  |  |  |  |  |  |  |  |  |
|                  |   |          | Low      | 0       | Task mode: Initial value of pin before task triggering is low  |  |  |  |  |  |  |  |  |  |  |  |     |  |  |  |  |  |  |  |  |  |  |  |  |  |  |  |
|                  |   |          | High     | 1       | Task mode: Initial value of pin before task triggering is high   |  |  |  |  |  |  |  |  |  |  |  |     |  |  |  |  |  |  |  |  |  |  |  |  |  |  |  |

### 21.4.5 CONFIG[2]

Address offset: 0x518

Configuration for OUT[n], SET[n] and CLR[n] tasks and IN[n] event

| Bit number       | 31 30 29 28 27 26 25 24 23 22 21 20 19 18 17 16 15 14 13 12 11 10 9 8 7 6 5 4 3 2 1 0 |          |          |         |   |  |  |  |  |  |  |  |  |  |  |  |     |  |  |  |  |  |  |  |  |  |  |  |  |  |  |  |
|------------------|---|----------|----------|---------|---|--|--|--|--|--|--|--|--|--|--|--|-----|--|--|--|--|--|--|--|--|--|--|--|--|--|--|--|
| Id               | D C C B B B B B   |          |          |         |   |  |  |  |  |  |  |  |  |  |  |  | A A |  |  |  |  |  |  |  |  |  |  |  |  |  |  |  |
| Reset 0x00000000 | 0           |          |          |         |   |  |  |  |  |  |  |  |  |  |  |  |     |  |  |  |  |  |  |  |  |  |  |  |  |  |  |  |
| Id               | RW  | Field    | Value Id | Value   | Description   |  |  |  |  |  |  |  |  |  |  |  |     |  |  |  |  |  |  |  |  |  |  |  |  |  |  |  |
| A                | RW  | MODE     |          |         | Mode  |  |  |  |  |  |  |  |  |  |  |  |     |  |  |  |  |  |  |  |  |  |  |  |  |  |  |  |
|                  |   |          | Disabled | 0       | Disabled. Pin specified by PSEL will not be acquired by the GPIOTE module.  |  |  |  |  |  |  |  |  |  |  |  |     |  |  |  |  |  |  |  |  |  |  |  |  |  |  |  |
|                  |   |          | Event    | 1       | Event mode  |  |  |  |  |  |  |  |  |  |  |  |     |  |  |  |  |  |  |  |  |  |  |  |  |  |  |  |
|                  |   |          | Task     | 3       | The pin specified by PSEL will be configured as an input and the IN[n] event will be generated if operation specified in POLARITY occurs on the pin.  |  |  |  |  |  |  |  |  |  |  |  |     |  |  |  |  |  |  |  |  |  |  |  |  |  |  |  |
|                  |   |          |          |         | Task mode   |  |  |  |  |  |  |  |  |  |  |  |     |  |  |  |  |  |  |  |  |  |  |  |  |  |  |  |
|                  |   |          |          |         | The GPIO specified by PSEL will be configured as an output and triggering the SET[n], CLR[n] or OUT[n] task will perform the operation specified by POLARITY on the pin. When enabled as a task the GPIOTE module will acquire the pin and the pin can no longer be written as a regular output pin from the GPIO module. |  |  |  |  |  |  |  |  |  |  |  |     |  |  |  |  |  |  |  |  |  |  |  |  |  |  |  |
| B                | RW  | PSEL     |          | [0..31] | GPIO number associated with SET[n], CLR[n] and OUT[n] tasks and IN[n] event   |  |  |  |  |  |  |  |  |  |  |  |     |  |  |  |  |  |  |  |  |  |  |  |  |  |  |  |
| C                | RW  | POLARITY |          |         | When In task mode: Operation to be performed on output when OUT[n] task is triggered. When In event mode: Operation on input that shall trigger IN[n] event.  |  |  |  |  |  |  |  |  |  |  |  |     |  |  |  |  |  |  |  |  |  |  |  |  |  |  |  |
|                  |   |          | None     | 0       | Task mode: No effect on pin from OUT[n] task. Event mode: no IN[n] event generated on pin activity.   |  |  |  |  |  |  |  |  |  |  |  |     |  |  |  |  |  |  |  |  |  |  |  |  |  |  |  |
|                  |   |          | LoToHi   | 1       | Task mode: Set pin from OUT[n] task. Event mode: Generate IN[n] event when rising edge on pin.  |  |  |  |  |  |  |  |  |  |  |  |     |  |  |  |  |  |  |  |  |  |  |  |  |  |  |  |
|                  |   |          | HiToLo   | 2       | Task mode: Clear pin from OUT[n] task. Event mode: Generate IN[n] event when falling edge on pin.   |  |  |  |  |  |  |  |  |  |  |  |     |  |  |  |  |  |  |  |  |  |  |  |  |  |  |  |
|                  |   |          | Toggle   | 3       | Task mode: Toggle pin from OUT[n]. Event mode: Generate IN[n] when any change on pin.   |  |  |  |  |  |  |  |  |  |  |  |     |  |  |  |  |  |  |  |  |  |  |  |  |  |  |  |

| Bit number       | 31 | 30      | 29       | 28    | 27   | 26 | 25 | 24 | 23 | 22 | 21 | 20 | 19 | 18 | 17 | 16 | 15 | 14 | 13 | 12 | 11 | 10 | 9 | 8 | 7 | 6 | 5 | 4 | 3 | 2 | 1 | 0 |
|------------------|----|---------|----------|-------|--|----|----|----|----|----|----|----|----|----|----|----|----|----|----|----|----|----|---|---|---|---|---|---|---|---|---|---|
| Id               |    |         |          |       |  |    |    |    |    |    | D  | C  | C  |    |    |    |    | B  | B  | B  | B  |    |   |   |   | A | A |   |   |   |   |   |
| Reset 0x00000000 | 0  | 0       | 0        | 0     | 0  | 0  | 0  | 0  | 0  | 0  | 0  | 0  | 0  | 0  | 0  | 0  | 0  | 0  | 0  | 0  | 0  | 0  | 0 | 0 | 0 | 0 | 0 | 0 | 0 | 0 | 0 | 0 |
| Id               | RW | Field   | Value Id | Value | Description  |    |    |    |    |    |    |    |    |    |    |    |    |    |    |    |    |    |   |   |   |   |   |   |   |   |   |   |
| D                | RW | OUTINIT |          |       | When in task mode: Initial value of the output when the GPIOTE channel is configured. When in event mode: No effect. |    |    |    |    |    |    |    |    |    |    |    |    |    |    |    |    |    |   |   |   |   |   |   |   |   |   |   |
|                  |    |         | Low      | 0     | Task mode: Initial value of pin before task triggering is low  |    |    |    |    |    |    |    |    |    |    |    |    |    |    |    |    |    |   |   |   |   |   |   |   |   |   |   |
|                  |    |         | High     | 1     | Task mode: Initial value of pin before task triggering is high   |    |    |    |    |    |    |    |    |    |    |    |    |    |    |    |    |    |   |   |   |   |   |   |   |   |   |   |

### 21.4.6 CONFIG[3]

Address offset: 0x51C

Configuration for OUT[n], SET[n] and CLR[n] tasks and IN[n] event

| Bit number       | 31 | 30       | 29       | 28      | 27  | 26 | 25 | 24 | 23 | 22 | 21 | 20 | 19 | 18 | 17 | 16 | 15 | 14 | 13 | 12 | 11 | 10 | 9 | 8 | 7 | 6 | 5 | 4 | 3 | 2 | 1 | 0 |
|------------------|----|----------|----------|---------|---|----|----|----|----|----|----|----|----|----|----|----|----|----|----|----|----|----|---|---|---|---|---|---|---|---|---|---|
| Id               |    |          |          |         |   |    |    |    |    |    | D  | C  | C  |    |    |    |    | B  | B  | B  | B  |    |   |   |   | A | A |   |   |   |   |   |
| Reset 0x00000000 | 0  | 0        | 0        | 0       | 0   | 0  | 0  | 0  | 0  | 0  | 0  | 0  | 0  | 0  | 0  | 0  | 0  | 0  | 0  | 0  | 0  | 0  | 0 | 0 | 0 | 0 | 0 | 0 | 0 | 0 | 0 |   |
| Id               | RW | Field    | Value Id | Value   | Description   |    |    |    |    |    |    |    |    |    |    |    |    |    |    |    |    |    |   |   |   |   |   |   |   |   |   |   |
| A                | RW | MODE     |          |         | Mode  |    |    |    |    |    |    |    |    |    |    |    |    |    |    |    |    |    |   |   |   |   |   |   |   |   |   |   |
|                  |    |          | Disabled | 0       | Disabled. Pin specified by PSEL will not be acquired by the GPIOTE module.  |    |    |    |    |    |    |    |    |    |    |    |    |    |    |    |    |    |   |   |   |   |   |   |   |   |   |   |
|                  |    |          | Event    | 1       | Event mode  |    |    |    |    |    |    |    |    |    |    |    |    |    |    |    |    |    |   |   |   |   |   |   |   |   |   |   |
|                  |    |          | Task     | 3       | The pin specified by PSEL will be configured as an input and the IN[n] event will be generated if operation specified in POLARITY occurs on the pin.  |    |    |    |    |    |    |    |    |    |    |    |    |    |    |    |    |    |   |   |   |   |   |   |   |   |   |   |
|                  |    |          |          |         | Task mode   |    |    |    |    |    |    |    |    |    |    |    |    |    |    |    |    |    |   |   |   |   |   |   |   |   |   |   |
|                  |    |          |          |         | The GPIO specified by PSEL will be configured as an output and triggering the SET[n], CLR[n] or OUT[n] task will perform the operation specified by POLARITY on the pin. When enabled as a task the GPIOTE module will acquire the pin and the pin can no longer be written as a regular output pin from the GPIO module. |    |    |    |    |    |    |    |    |    |    |    |    |    |    |    |    |    |   |   |   |   |   |   |   |   |   |   |
| B                | RW | PSEL     |          | [0..31] | GPIO number associated with SET[n], CLR[n] and OUT[n] tasks and IN[n] event   |    |    |    |    |    |    |    |    |    |    |    |    |    |    |    |    |    |   |   |   |   |   |   |   |   |   |   |
| C                | RW | POLARITY |          |         | When In task mode: Operation to be performed on output when OUT[n] task is triggered. When In event mode: Operation on input that shall trigger IN[n] event.  |    |    |    |    |    |    |    |    |    |    |    |    |    |    |    |    |    |   |   |   |   |   |   |   |   |   |   |
|                  |    |          | None     | 0       | Task mode: No effect on pin from OUT[n] task. Event mode: no IN[n] event generated on pin activity.   |    |    |    |    |    |    |    |    |    |    |    |    |    |    |    |    |    |   |   |   |   |   |   |   |   |   |   |
|                  |    |          | LoToHi   | 1       | Task mode: Set pin from OUT[n] task. Event mode: Generate IN[n] event when rising edge on pin.  |    |    |    |    |    |    |    |    |    |    |    |    |    |    |    |    |    |   |   |   |   |   |   |   |   |   |   |
|                  |    |          | HiToLo   | 2       | Task mode: Clear pin from OUT[n] task. Event mode: Generate IN[n] event when falling edge on pin.   |    |    |    |    |    |    |    |    |    |    |    |    |    |    |    |    |    |   |   |   |   |   |   |   |   |   |   |
|                  |    |          | Toggle   | 3       | Task mode: Toggle pin from OUT[n]. Event mode: Generate IN[n] when any change on pin.   |    |    |    |    |    |    |    |    |    |    |    |    |    |    |    |    |    |   |   |   |   |   |   |   |   |   |   |
| D                | RW | OUTINIT  |          |         | When in task mode: Initial value of the output when the GPIOTE channel is configured. When in event mode: No effect.  |    |    |    |    |    |    |    |    |    |    |    |    |    |    |    |    |    |   |   |   |   |   |   |   |   |   |   |
|                  |    |          | Low      | 0       | Task mode: Initial value of pin before task triggering is low   |    |    |    |    |    |    |    |    |    |    |    |    |    |    |    |    |    |   |   |   |   |   |   |   |   |   |   |
|                  |    |          | High     | 1       | Task mode: Initial value of pin before task triggering is high  |    |    |    |    |    |    |    |    |    |    |    |    |    |    |    |    |    |   |   |   |   |   |   |   |   |   |   |

### 21.4.7 CONFIG[4]

Address offset: 0x520

Configuration for OUT[n], SET[n] and CLR[n] tasks and IN[n] event

| Bit number       | 31 30 29 28 27 26 25 24 23 22 21 20 19 18 17 16 15 14 13 12 11 10 9 8 7 6 5 4 3 2 1 0 |          |          |         |  |  |  |  |  |  |  |  |  |  |  |  |   |   |   |   |  |  |  |   |   |   |   |   |  |   |  |  |
|------------------|---|----------|----------|---------|--|--|--|--|--|--|--|--|--|--|--|--|---|---|---|---|--|--|--|---|---|---|---|---|--|---|--|--|
| Id               |   |          |          |         |  |  |  |  |  |  |  |  |  |  |  |  | D | C | C | B |  |  |  | B | B | B | B | A |  | A |  |  |
| Reset 0x00000000 | 0   |          |          |         |  |  |  |  |  |  |  |  |  |  |  |  |   |   |   |   |  |  |  |   |   |   |   |   |  |   |  |  |
| Id               | RW  | Field    | Value Id | Value   | Description  |  |  |  |  |  |  |  |  |  |  |  |   |   |   |   |  |  |  |   |   |   |   |   |  |   |  |  |
| A                | RW  | MODE     | Disabled | 0       | Mode<br>Disabled. Pin specified by PSEL will not be acquired by the GPIOTE module.   |  |  |  |  |  |  |  |  |  |  |  |   |   |   |   |  |  |  |   |   |   |   |   |  |   |  |  |
|                  |   |          | Event    | 1       | Event mode<br>The pin specified by PSEL will be configured as an input and the IN[n] event will be generated if operation specified in POLARITY occurs on the pin.   |  |  |  |  |  |  |  |  |  |  |  |   |   |   |   |  |  |  |   |   |   |   |   |  |   |  |  |
|                  |   |          | Task     | 3       | Task mode<br>The GPIO specified by PSEL will be configured as an output and triggering the SET[n], CLR[n] or OUT[n] task will perform the operation specified by POLARITY on the pin. When enabled as a task the GPIOTE module will acquire the pin and the pin can no longer be written as a regular output pin from the GPIO module. |  |  |  |  |  |  |  |  |  |  |  |   |   |   |   |  |  |  |   |   |   |   |   |  |   |  |  |
|                  |   |          |          |         |  |  |  |  |  |  |  |  |  |  |  |  |   |   |   |   |  |  |  |   |   |   |   |   |  |   |  |  |
| B                | RW  | PSEL     |          | [0..31] | GPIO number associated with SET[n], CLR[n] and OUT[n] tasks and IN[n] event  |  |  |  |  |  |  |  |  |  |  |  |   |   |   |   |  |  |  |   |   |   |   |   |  |   |  |  |
| C                | RW  | POLARITY | None     | 0       | When In task mode: Operation to be performed on output when OUT[n] task is triggered. When In event mode: Operation on input that shall trigger IN[n] event.<br>Task mode: No effect on pin from OUT[n] task. Event mode: no IN[n] event generated on pin activity.  |  |  |  |  |  |  |  |  |  |  |  |   |   |   |   |  |  |  |   |   |   |   |   |  |   |  |  |
|                  |   |          | LoToHi   | 1       | Task mode: Set pin from OUT[n] task. Event mode: Generate IN[n] event when rising edge on pin.   |  |  |  |  |  |  |  |  |  |  |  |   |   |   |   |  |  |  |   |   |   |   |   |  |   |  |  |
|                  |   |          | HiToLo   | 2       | Task mode: Clear pin from OUT[n] task. Event mode: Generate IN[n] event when falling edge on pin.  |  |  |  |  |  |  |  |  |  |  |  |   |   |   |   |  |  |  |   |   |   |   |   |  |   |  |  |
|                  |   |          | Toggle   | 3       | Task mode: Toggle pin from OUT[n]. Event mode: Generate IN[n] when any change on pin.  |  |  |  |  |  |  |  |  |  |  |  |   |   |   |   |  |  |  |   |   |   |   |   |  |   |  |  |
| D                | RW  | OUTINIT  | Low      | 0       | When in task mode: Initial value of the output when the GPIOTE channel is configured. When in event mode: No effect.<br>Task mode: Initial value of pin before task triggering is low  |  |  |  |  |  |  |  |  |  |  |  |   |   |   |   |  |  |  |   |   |   |   |   |  |   |  |  |
|                  |   |          | High     | 1       | Task mode: Initial value of pin before task triggering is high   |  |  |  |  |  |  |  |  |  |  |  |   |   |   |   |  |  |  |   |   |   |   |   |  |   |  |  |

### 21.4.8 CONFIG[5]

Address offset: 0x524

Configuration for OUT[n], SET[n] and CLR[n] tasks and IN[n] event

| Bit number       | 31 30 29 28 27 26 25 24 23 22 21 20 19 18 17 16 15 14 13 12 11 10 9 8 7 6 5 4 3 2 1 0 |       |          |       |  |  |  |  |  |  |  |  |  |  |  |  |   |   |   |   |  |  |  |   |   |   |   |   |  |   |  |  |
|------------------|---|-------|----------|-------|--|--|--|--|--|--|--|--|--|--|--|--|---|---|---|---|--|--|--|---|---|---|---|---|--|---|--|--|
| Id               |   |       |          |       |  |  |  |  |  |  |  |  |  |  |  |  | D | C | C | B |  |  |  | B | B | B | B | A |  | A |  |  |
| Reset 0x00000000 | 0   |       |          |       |  |  |  |  |  |  |  |  |  |  |  |  |   |   |   |   |  |  |  |   |   |   |   |   |  |   |  |  |
| Id               | RW  | Field | Value Id | Value | Description  |  |  |  |  |  |  |  |  |  |  |  |   |   |   |   |  |  |  |   |   |   |   |   |  |   |  |  |
| A                | RW  | MODE  | Disabled | 0     | Mode<br>Disabled. Pin specified by PSEL will not be acquired by the GPIOTE module.   |  |  |  |  |  |  |  |  |  |  |  |   |   |   |   |  |  |  |   |   |   |   |   |  |   |  |  |
|                  |   |       | Event    | 1     | Event mode<br>The pin specified by PSEL will be configured as an input and the IN[n] event will be generated if operation specified in POLARITY occurs on the pin.   |  |  |  |  |  |  |  |  |  |  |  |   |   |   |   |  |  |  |   |   |   |   |   |  |   |  |  |
|                  |   |       | Task     | 3     | Task mode<br>The GPIO specified by PSEL will be configured as an output and triggering the SET[n], CLR[n] or OUT[n] task will perform the operation specified by POLARITY on the pin. When enabled as a task the GPIOTE module will acquire the pin and the pin can no longer be written as a regular output pin from the GPIO module. |  |  |  |  |  |  |  |  |  |  |  |   |   |   |   |  |  |  |   |   |   |   |   |  |   |  |  |
|                  |   |       |          |       |  |  |  |  |  |  |  |  |  |  |  |  |   |   |   |   |  |  |  |   |   |   |   |   |  |   |  |  |

| Bit number       |    | 31 30 29 28 27 26 25 24 23 22 21 20 19 18 17 16 15 14 13 12 11 10 9 8 7 6 5 4 3 2 1 0 |          |         |  |  |  |  |  |  |  |  |  |  |  |  |  |     |  |  |  |  |  |  |  |  |  |  |  |  |  |  |  |
|------------------|----|---|----------|---------|--|--|--|--|--|--|--|--|--|--|--|--|--|-----|--|--|--|--|--|--|--|--|--|--|--|--|--|--|--|
| Id               |    | D C C B B B B B   |          |         |  |  |  |  |  |  |  |  |  |  |  |  |  | A A |  |  |  |  |  |  |  |  |  |  |  |  |  |  |  |
| Reset 0x00000000 |    | 0           |          |         |  |  |  |  |  |  |  |  |  |  |  |  |  |     |  |  |  |  |  |  |  |  |  |  |  |  |  |  |  |
| Id               | RW | Field   | Value Id | Value   | Description  |  |  |  |  |  |  |  |  |  |  |  |  |     |  |  |  |  |  |  |  |  |  |  |  |  |  |  |  |
| B                | RW | PSEL  |          | [0..31] | GPIO number associated with SET[n], CLR[n] and OUT[n] tasks and IN[n] event  |  |  |  |  |  |  |  |  |  |  |  |  |     |  |  |  |  |  |  |  |  |  |  |  |  |  |  |  |
| C                | RW | POLARITY  |          |         | When In task mode: Operation to be performed on output when OUT[n] task is triggered. When In event mode: Operation on input that shall trigger IN[n] event. |  |  |  |  |  |  |  |  |  |  |  |  |     |  |  |  |  |  |  |  |  |  |  |  |  |  |  |  |
|                  |    |   | None     | 0       | Task mode: No effect on pin from OUT[n] task. Event mode: no IN[n] event generated on pin activity.  |  |  |  |  |  |  |  |  |  |  |  |  |     |  |  |  |  |  |  |  |  |  |  |  |  |  |  |  |
|                  |    |   | LoToHi   | 1       | Task mode: Set pin from OUT[n] task. Event mode: Generate IN[n] event when rising edge on pin.   |  |  |  |  |  |  |  |  |  |  |  |  |     |  |  |  |  |  |  |  |  |  |  |  |  |  |  |  |
|                  |    |   | HiToLo   | 2       | Task mode: Clear pin from OUT[n] task. Event mode: Generate IN[n] event when falling edge on pin.  |  |  |  |  |  |  |  |  |  |  |  |  |     |  |  |  |  |  |  |  |  |  |  |  |  |  |  |  |
|                  |    |   | Toggle   | 3       | Task mode: Toggle pin from OUT[n]. Event mode: Generate IN[n] when any change on pin.  |  |  |  |  |  |  |  |  |  |  |  |  |     |  |  |  |  |  |  |  |  |  |  |  |  |  |  |  |
| D                | RW | OUTINIT   |          |         | When in task mode: Initial value of the output when the GPIOTE channel is configured. When in event mode: No effect.   |  |  |  |  |  |  |  |  |  |  |  |  |     |  |  |  |  |  |  |  |  |  |  |  |  |  |  |  |
|                  |    |   | Low      | 0       | Task mode: Initial value of pin before task triggering is low  |  |  |  |  |  |  |  |  |  |  |  |  |     |  |  |  |  |  |  |  |  |  |  |  |  |  |  |  |
|                  |    |   | High     | 1       | Task mode: Initial value of pin before task triggering is high   |  |  |  |  |  |  |  |  |  |  |  |  |     |  |  |  |  |  |  |  |  |  |  |  |  |  |  |  |

### 21.4.9 CONFIG[6]

Address offset: 0x528

Configuration for OUT[n], SET[n] and CLR[n] tasks and IN[n] event

| Bit number       |    | 31 30 29 28 27 26 25 24 23 22 21 20 19 18 17 16 15 14 13 12 11 10 9 8 7 6 5 4 3 2 1 0 |          |         |   |  |  |  |  |  |  |  |  |  |  |  |  |     |  |  |  |  |  |  |  |  |  |  |  |  |  |  |  |
|------------------|----|---|----------|---------|---|--|--|--|--|--|--|--|--|--|--|--|--|-----|--|--|--|--|--|--|--|--|--|--|--|--|--|--|--|
| Id               |    | D C C B B B B B   |          |         |   |  |  |  |  |  |  |  |  |  |  |  |  | A A |  |  |  |  |  |  |  |  |  |  |  |  |  |  |  |
| Reset 0x00000000 |    | 0           |          |         |   |  |  |  |  |  |  |  |  |  |  |  |  |     |  |  |  |  |  |  |  |  |  |  |  |  |  |  |  |
| Id               | RW | Field   | Value Id | Value   | Description   |  |  |  |  |  |  |  |  |  |  |  |  |     |  |  |  |  |  |  |  |  |  |  |  |  |  |  |  |
| A                | RW | MODE  |          |         | Mode  |  |  |  |  |  |  |  |  |  |  |  |  |     |  |  |  |  |  |  |  |  |  |  |  |  |  |  |  |
|                  |    |   | Disabled | 0       | Disabled. Pin specified by PSEL will not be acquired by the GPIOTE module.  |  |  |  |  |  |  |  |  |  |  |  |  |     |  |  |  |  |  |  |  |  |  |  |  |  |  |  |  |
|                  |    |   | Event    | 1       | Event mode  |  |  |  |  |  |  |  |  |  |  |  |  |     |  |  |  |  |  |  |  |  |  |  |  |  |  |  |  |
|                  |    |   | Task     | 3       | The pin specified by PSEL will be configured as an input and the IN[n] event will be generated if operation specified in POLARITY occurs on the pin.  |  |  |  |  |  |  |  |  |  |  |  |  |     |  |  |  |  |  |  |  |  |  |  |  |  |  |  |  |
|                  |    |   |          |         | Task mode   |  |  |  |  |  |  |  |  |  |  |  |  |     |  |  |  |  |  |  |  |  |  |  |  |  |  |  |  |
|                  |    |   |          |         | The GPIO specified by PSEL will be configured as an output and triggering the SET[n], CLR[n] or OUT[n] task will perform the operation specified by POLARITY on the pin. When enabled as a task the GPIOTE module will acquire the pin and the pin can no longer be written as a regular output pin from the GPIO module. |  |  |  |  |  |  |  |  |  |  |  |  |     |  |  |  |  |  |  |  |  |  |  |  |  |  |  |  |
| B                | RW | PSEL  |          | [0..31] | GPIO number associated with SET[n], CLR[n] and OUT[n] tasks and IN[n] event   |  |  |  |  |  |  |  |  |  |  |  |  |     |  |  |  |  |  |  |  |  |  |  |  |  |  |  |  |
| C                | RW | POLARITY  |          |         | When In task mode: Operation to be performed on output when OUT[n] task is triggered. When In event mode: Operation on input that shall trigger IN[n] event.  |  |  |  |  |  |  |  |  |  |  |  |  |     |  |  |  |  |  |  |  |  |  |  |  |  |  |  |  |
|                  |    |   | None     | 0       | Task mode: No effect on pin from OUT[n] task. Event mode: no IN[n] event generated on pin activity.   |  |  |  |  |  |  |  |  |  |  |  |  |     |  |  |  |  |  |  |  |  |  |  |  |  |  |  |  |
|                  |    |   | LoToHi   | 1       | Task mode: Set pin from OUT[n] task. Event mode: Generate IN[n] event when rising edge on pin.  |  |  |  |  |  |  |  |  |  |  |  |  |     |  |  |  |  |  |  |  |  |  |  |  |  |  |  |  |
|                  |    |   | HiToLo   | 2       | Task mode: Clear pin from OUT[n] task. Event mode: Generate IN[n] event when falling edge on pin.   |  |  |  |  |  |  |  |  |  |  |  |  |     |  |  |  |  |  |  |  |  |  |  |  |  |  |  |  |
|                  |    |   | Toggle   | 3       | Task mode: Toggle pin from OUT[n]. Event mode: Generate IN[n] when any change on pin.   |  |  |  |  |  |  |  |  |  |  |  |  |     |  |  |  |  |  |  |  |  |  |  |  |  |  |  |  |

| Bit number       | 31 | 30      | 29    | 28 | 27   | 26   | 25 | 24 | 23 | 22 | 21 | 20 | 19 | 18 | 17 | 16 | 15 | 14 | 13 | 12 | 11 | 10 | 9 | 8 | 7 | 6 | 5 | 4 | 3 | 2 | 1 | 0 |
|------------------|----|---------|-------|----|--|--|----|----|----|----|----|----|----|----|----|----|----|----|----|----|----|----|---|---|---|---|---|---|---|---|---|---|
| Id               |    |         |       |    |  |  |    |    |    |    | D  | C  | C  |    |    |    |    | B  | B  | B  | B  |    |   |   |   | A | A |   |   |   |   |   |
| Reset 0x00000000 | 0  | 0       | 0     | 0  | 0  | 0  | 0  | 0  | 0  | 0  | 0  | 0  | 0  | 0  | 0  | 0  | 0  | 0  | 0  | 0  | 0  | 0  | 0 | 0 | 0 | 0 | 0 | 0 | 0 | 0 | 0 | 0 |
| Id               | RW | Field   | Value | Id | Value  | Description  |    |    |    |    |    |    |    |    |    |    |    |    |    |    |    |    |   |   |   |   |   |   |   |   |   |   |
| D                | RW | OUTINIT |       |    |  | When in task mode: Initial value of the output when the GPIOTE channel is configured. When in event mode: No effect. |    |    |    |    |    |    |    |    |    |    |    |    |    |    |    |    |   |   |   |   |   |   |   |   |   |   |
|                  |    |         | Low   | 0  | Task mode: Initial value of pin before task triggering is low  |  |    |    |    |    |    |    |    |    |    |    |    |    |    |    |    |    |   |   |   |   |   |   |   |   |   |   |
|                  |    |         | High  | 1  | Task mode: Initial value of pin before task triggering is high |  |    |    |    |    |    |    |    |    |    |    |    |    |    |    |    |    |   |   |   |   |   |   |   |   |   |   |

### 21.4.10 CONFIG[7]

Address offset: 0x52C

Configuration for OUT[n], SET[n] and CLR[n] tasks and IN[n] event

| Bit number       | 31 | 30       | 29       | 28 | 27  | 26   | 25 | 24 | 23 | 22 | 21 | 20 | 19 | 18 | 17 | 16 | 15 | 14 | 13 | 12 | 11 | 10 | 9 | 8 | 7 | 6 | 5 | 4 | 3 | 2 | 1 | 0 |
|------------------|----|----------|----------|----|---|--|----|----|----|----|----|----|----|----|----|----|----|----|----|----|----|----|---|---|---|---|---|---|---|---|---|---|
| Id               |    |          |          |    |   |  |    |    |    |    | D  | C  | C  |    |    |    |    | B  | B  | B  | B  |    |   |   |   | A | A |   |   |   |   |   |
| Reset 0x00000000 | 0  | 0        | 0        | 0  | 0   | 0  | 0  | 0  | 0  | 0  | 0  | 0  | 0  | 0  | 0  | 0  | 0  | 0  | 0  | 0  | 0  | 0  | 0 | 0 | 0 | 0 | 0 | 0 | 0 | 0 | 0 |   |
| Id               | RW | Field    | Value    | Id | Value   | Description  |    |    |    |    |    |    |    |    |    |    |    |    |    |    |    |    |   |   |   |   |   |   |   |   |   |   |
| A                | RW | MODE     |          |    |   | Mode   |    |    |    |    |    |    |    |    |    |    |    |    |    |    |    |    |   |   |   |   |   |   |   |   |   |   |
|                  |    |          | Disabled | 0  | Disabled. Pin specified by PSEL will not be acquired by the GPIOTE module.  |  |    |    |    |    |    |    |    |    |    |    |    |    |    |    |    |    |   |   |   |   |   |   |   |   |   |   |
|                  |    |          | Event    | 1  | Event mode  |  |    |    |    |    |    |    |    |    |    |    |    |    |    |    |    |    |   |   |   |   |   |   |   |   |   |   |
|                  |    |          | Task     | 3  | The pin specified by PSEL will be configured as an input and the IN[n] event will be generated if operation specified in POLARITY occurs on the pin.  |  |    |    |    |    |    |    |    |    |    |    |    |    |    |    |    |    |   |   |   |   |   |   |   |   |   |   |
|                  |    |          |          |    | Task mode   |  |    |    |    |    |    |    |    |    |    |    |    |    |    |    |    |    |   |   |   |   |   |   |   |   |   |   |
|                  |    |          |          |    | The GPIO specified by PSEL will be configured as an output and triggering the SET[n], CLR[n] or OUT[n] task will perform the operation specified by POLARITY on the pin. When enabled as a task the GPIOTE module will acquire the pin and the pin can no longer be written as a regular output pin from the GPIO module. |  |    |    |    |    |    |    |    |    |    |    |    |    |    |    |    |    |   |   |   |   |   |   |   |   |   |   |
| B                | RW | PSEL     |          |    | [0..31]   | GPIO number associated with SET[n], CLR[n] and OUT[n] tasks and IN[n] event  |    |    |    |    |    |    |    |    |    |    |    |    |    |    |    |    |   |   |   |   |   |   |   |   |   |   |
| C                | RW | POLARITY |          |    |   | When In task mode: Operation to be performed on output when OUT[n] task is triggered. When In event mode: Operation on input that shall trigger IN[n] event. |    |    |    |    |    |    |    |    |    |    |    |    |    |    |    |    |   |   |   |   |   |   |   |   |   |   |
|                  |    |          | None     | 0  | Task mode: No effect on pin from OUT[n] task. Event mode: no IN[n] event generated on pin activity.   |  |    |    |    |    |    |    |    |    |    |    |    |    |    |    |    |    |   |   |   |   |   |   |   |   |   |   |
|                  |    |          | LoToHi   | 1  | Task mode: Set pin from OUT[n] task. Event mode: Generate IN[n] event when rising edge on pin.  |  |    |    |    |    |    |    |    |    |    |    |    |    |    |    |    |    |   |   |   |   |   |   |   |   |   |   |
|                  |    |          | HiToLo   | 2  | Task mode: Clear pin from OUT[n] task. Event mode: Generate IN[n] event when falling edge on pin.   |  |    |    |    |    |    |    |    |    |    |    |    |    |    |    |    |    |   |   |   |   |   |   |   |   |   |   |
|                  |    |          | Toggle   | 3  | Task mode: Toggle pin from OUT[n]. Event mode: Generate IN[n] when any change on pin.   |  |    |    |    |    |    |    |    |    |    |    |    |    |    |    |    |    |   |   |   |   |   |   |   |   |   |   |
| D                | RW | OUTINIT  |          |    |   | When in task mode: Initial value of the output when the GPIOTE channel is configured. When in event mode: No effect.   |    |    |    |    |    |    |    |    |    |    |    |    |    |    |    |    |   |   |   |   |   |   |   |   |   |   |
|                  |    |          | Low      | 0  | Task mode: Initial value of pin before task triggering is low   |  |    |    |    |    |    |    |    |    |    |    |    |    |    |    |    |    |   |   |   |   |   |   |   |   |   |   |
|                  |    |          | High     | 1  | Task mode: Initial value of pin before task triggering is high  |  |    |    |    |    |    |    |    |    |    |    |    |    |    |    |    |    |   |   |   |   |   |   |   |   |   |   |

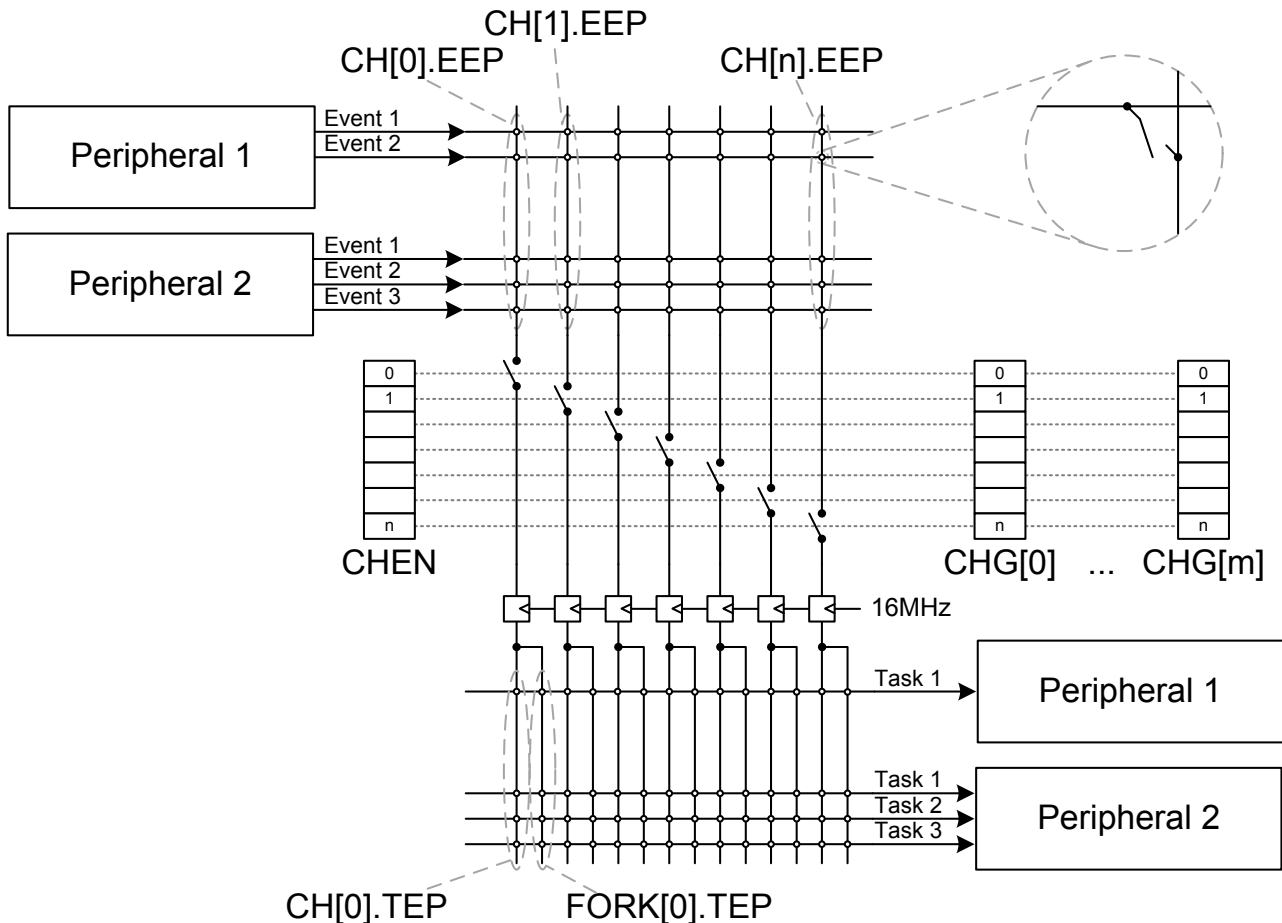
## 21.5 Electrical specification

### 21.5.1 GPIOTE Electrical Specification

| Symbol                 | Description   | Min. | Typ. | Max. | Units |
|------------------------|---|------|------|------|-------|
| I <sub>GPIOTE,IN</sub> | Run current with 1 or more GPIOTE active channels in Input mode |      | 0.1  | 0.5  | µA    |

## 22 PPI — Programmable peripheral interconnect

The Programmable peripheral interconnect (PPI) enables peripherals to interact autonomously with each other using tasks and events independent of the CPU. The PPI allows precise synchronization between peripherals when real-time application constraints exist and eliminates the need for CPU activity to implement behavior which can be predefined using PPI.



**Figure 28: PPI block diagram**

The PPI system has, in addition to the fully programmable peripheral interconnections, a set of channels where the event end point (EEP) and task end points (TEP) are fixed in hardware. These fixed channels can be individually enabled, disabled, or added to PPI channel groups in the same way as ordinary PPI channels.

**Table 34: Configurable and fixed PPI channels**

| Instance    | Channel | Number of channels | Number of groups |
|-------------|---------|--------------------|------------------|
| PPI         | 0-19    | 20                 | 6                |
| PPI (fixed) | 20-31   | 12                 |                  |

The PPI provides a mechanism to automatically trigger a task in one peripheral as a result of an event occurring in another peripheral. A task is connected to an event through a PPI channel. The PPI channel is composed of three end point registers, one EEP and two TEPs. A peripheral task is connected to a TEP using the address of the task register associated with the task. Similarly, a peripheral event is connected to an EEP using the address of the event register associated with the event.

On each PPI channel, the signals are synchronized to the 16 MHz clock, to avoid any internal violation of setup and hold timings. As a consequence, events that are synchronous to the 16 MHz clock will be delayed by one clock period, while other asynchronous events will be delayed by up to one 16 MHz clock period.



Note that shortcuts (as defined in the SHORTS register in each peripheral) are not affected by this 16 MHz synchronization, and are therefore not delayed.

Each TEP implements a fork mechanism that enables a second task to be triggered at the same time as the task specified in the TEP is triggered. This second task is configured in the task end point register in the FORK registers groups, e.g. FORK.TEP[0] is associated with PPI channel CH[0].

There are two ways of enabling and disabling PPI channels:

- Enable or disable PPI channels individually using the CHEN, CHENSET, and CHENCLR registers.
- Enable or disable PPI channels in PPI channel groups through the groups' ENABLE and DISABLE tasks. Prior to these tasks being triggered, the PPI channel group must be configured to define which PPI channels belongs to which groups.

Note that when a channel belongs to two groups m and n, and CHG[m].EN and CHG[n].DIS occur simultaneously (m and n can be equal or different), EN on that channel has priority.

PPI tasks (for example, CHG[0].EN) can be triggered through the PPI like any other task, which means they can be hooked up to a PPI channel as a TEP. One event can trigger multiple tasks by using multiple channels and one task can be triggered by multiple events in the same way.

## 22.1 Pre-programmed channels

Some of the PPI channels are pre-programmed. These channels cannot be configured by the CPU, but can be added to groups and enabled and disabled like the general purpose PPI channels. The FORK TEP for these channels are still programmable and can be used by the application.

For a list of pre-programmed PPI channels, see the table below.

**Table 35: Pre-programmed channels**

| Channel | EEP                       | TEP                      |
|---------|---------------------------|--------------------------|
| 20      | TIMERO->EVENTS_COMPARE[0] | RADIO->TASKS_TXEN        |
| 21      | TIMERO->EVENTS_COMPARE[0] | RADIO->TASKS_RXEN        |
| 22      | TIMERO->EVENTS_COMPARE[1] | RADIO->TASKS_DISABLE     |
| 23      | RADIO->EVENTS_BCMATCH     | AAR->TASKS_START         |
| 24      | RADIO->EVENTS_READY       | CCM->TASKS_KSGEN         |
| 25      | RADIO->EVENTS_ADDRESS     | CCM->TASKS_CRYPT         |
| 26      | RADIO->EVENTS_ADDRESS     | TIMERO->TASKS_CAPTURE[1] |
| 27      | RADIO->EVENTS_END         | TIMERO->TASKS_CAPTURE[2] |
| 28      | RTOS->EVENTS_COMPARE[0]   | RADIO->TASKS_TXEN        |
| 29      | RTOS->EVENTS_COMPARE[0]   | RADIO->TASKS_RXEN        |
| 30      | RTOS->EVENTS_COMPARE[0]   | TIMERO->TASKS_CLEAR      |
| 31      | RTOS->EVENTS_COMPARE[0]   | TIMERO->TASKS_START      |

## 22.2 Registers

**Table 36: Instances**

| Base address | Peripheral | Instance | Description                          | Configuration |
|--------------|------------|----------|--------------------------------------|---------------|
| 0x4001F000   | PPI        | PPI      | Programmable Peripheral Interconnect |               |

**Table 37: Register Overview**

| Register         | Offset | Description             |
|------------------|--------|-------------------------|
| TASKS_CHG[0].EN  | 0x000  | Enable channel group 0  |
| TASKS_CHG[0].DIS | 0x004  | Disable channel group 0 |
| TASKS_CHG[1].EN  | 0x008  | Enable channel group 1  |
| TASKS_CHG[1].DIS | 0x00C  | Disable channel group 1 |
| TASKS_CHG[2].EN  | 0x010  | Enable channel group 2  |
| TASKS_CHG[2].DIS | 0x014  | Disable channel group 2 |
| TASKS_CHG[3].EN  | 0x018  | Enable channel group 3  |
| TASKS_CHG[3].DIS | 0x01C  | Disable channel group 3 |
| TASKS_CHG[4].EN  | 0x020  | Enable channel group 4  |

| Register         | Offset | Description                   |
|------------------|--------|-------------------------------|
| TASKS_CHG[4].DIS | 0x024  | Disable channel group 4       |
| TASKS_CHG[5].EN  | 0x028  | Enable channel group 5        |
| TASKS_CHG[5].DIS | 0x02C  | Disable channel group 5       |
| CHEN             | 0x500  | Channel enable register       |
| CHENSET          | 0x504  | Channel enable set register   |
| CHENCLR          | 0x508  | Channel enable clear register |
| CH[0].EEP        | 0x510  | Channel 0 event end-point     |
| CH[0].TEP        | 0x514  | Channel 0 task end-point      |
| CH[1].EEP        | 0x518  | Channel 1 event end-point     |
| CH[1].TEP        | 0x51C  | Channel 1 task end-point      |
| CH[2].EEP        | 0x520  | Channel 2 event end-point     |
| CH[2].TEP        | 0x524  | Channel 2 task end-point      |
| CH[3].EEP        | 0x528  | Channel 3 event end-point     |
| CH[3].TEP        | 0x52C  | Channel 3 task end-point      |
| CH[4].EEP        | 0x530  | Channel 4 event end-point     |
| CH[4].TEP        | 0x534  | Channel 4 task end-point      |
| CH[5].EEP        | 0x538  | Channel 5 event end-point     |
| CH[5].TEP        | 0x53C  | Channel 5 task end-point      |
| CH[6].EEP        | 0x540  | Channel 6 event end-point     |
| CH[6].TEP        | 0x544  | Channel 6 task end-point      |
| CH[7].EEP        | 0x548  | Channel 7 event end-point     |
| CH[7].TEP        | 0x54C  | Channel 7 task end-point      |
| CH[8].EEP        | 0x550  | Channel 8 event end-point     |
| CH[8].TEP        | 0x554  | Channel 8 task end-point      |
| CH[9].EEP        | 0x558  | Channel 9 event end-point     |
| CH[9].TEP        | 0x55C  | Channel 9 task end-point      |
| CH[10].EEP       | 0x560  | Channel 10 event end-point    |
| CH[10].TEP       | 0x564  | Channel 10 task end-point     |
| CH[11].EEP       | 0x568  | Channel 11 event end-point    |
| CH[11].TEP       | 0x56C  | Channel 11 task end-point     |
| CH[12].EEP       | 0x570  | Channel 12 event end-point    |
| CH[12].TEP       | 0x574  | Channel 12 task end-point     |
| CH[13].EEP       | 0x578  | Channel 13 event end-point    |
| CH[13].TEP       | 0x57C  | Channel 13 task end-point     |
| CH[14].EEP       | 0x580  | Channel 14 event end-point    |
| CH[14].TEP       | 0x584  | Channel 14 task end-point     |
| CH[15].EEP       | 0x588  | Channel 15 event end-point    |
| CH[15].TEP       | 0x58C  | Channel 15 task end-point     |
| CH[16].EEP       | 0x590  | Channel 16 event end-point    |
| CH[16].TEP       | 0x594  | Channel 16 task end-point     |
| CH[17].EEP       | 0x598  | Channel 17 event end-point    |
| CH[17].TEP       | 0x59C  | Channel 17 task end-point     |
| CH[18].EEP       | 0x5A0  | Channel 18 event end-point    |
| CH[18].TEP       | 0x5A4  | Channel 18 task end-point     |
| CH[19].EEP       | 0x5A8  | Channel 19 event end-point    |
| CH[19].TEP       | 0x5AC  | Channel 19 task end-point     |
| CHG[0]           | 0x800  | Channel group 0               |
| CHG[1]           | 0x804  | Channel group 1               |
| CHG[2]           | 0x808  | Channel group 2               |
| CHG[3]           | 0x80C  | Channel group 3               |
| CHG[4]           | 0x810  | Channel group 4               |
| CHG[5]           | 0x814  | Channel group 5               |
| FORK[0].TEP      | 0x910  | Channel 0 task end-point      |
| FORK[1].TEP      | 0x914  | Channel 1 task end-point      |
| FORK[2].TEP      | 0x918  | Channel 2 task end-point      |
| FORK[3].TEP      | 0x91C  | Channel 3 task end-point      |
| FORK[4].TEP      | 0x920  | Channel 4 task end-point      |
| FORK[5].TEP      | 0x924  | Channel 5 task end-point      |

| Register                     | Offset | Description               |
|------------------------------|--------|---------------------------|
| <a href="#">FORK[6].TEP</a>  | 0x928  | Channel 6 task end-point  |
| <a href="#">FORK[7].TEP</a>  | 0x92C  | Channel 7 task end-point  |
| <a href="#">FORK[8].TEP</a>  | 0x930  | Channel 8 task end-point  |
| <a href="#">FORK[9].TEP</a>  | 0x934  | Channel 9 task end-point  |
| <a href="#">FORK[10].TEP</a> | 0x938  | Channel 10 task end-point |
| <a href="#">FORK[11].TEP</a> | 0x93C  | Channel 11 task end-point |
| <a href="#">FORK[12].TEP</a> | 0x940  | Channel 12 task end-point |
| <a href="#">FORK[13].TEP</a> | 0x944  | Channel 13 task end-point |
| <a href="#">FORK[14].TEP</a> | 0x948  | Channel 14 task end-point |
| <a href="#">FORK[15].TEP</a> | 0x94C  | Channel 15 task end-point |
| <a href="#">FORK[16].TEP</a> | 0x950  | Channel 16 task end-point |
| <a href="#">FORK[17].TEP</a> | 0x954  | Channel 17 task end-point |
| <a href="#">FORK[18].TEP</a> | 0x958  | Channel 18 task end-point |
| <a href="#">FORK[19].TEP</a> | 0x95C  | Channel 19 task end-point |
| <a href="#">FORK[20].TEP</a> | 0x960  | Channel 20 task end-point |
| <a href="#">FORK[21].TEP</a> | 0x964  | Channel 21 task end-point |
| <a href="#">FORK[22].TEP</a> | 0x968  | Channel 22 task end-point |
| <a href="#">FORK[23].TEP</a> | 0x96C  | Channel 23 task end-point |
| <a href="#">FORK[24].TEP</a> | 0x970  | Channel 24 task end-point |
| <a href="#">FORK[25].TEP</a> | 0x974  | Channel 25 task end-point |
| <a href="#">FORK[26].TEP</a> | 0x978  | Channel 26 task end-point |
| <a href="#">FORK[27].TEP</a> | 0x97C  | Channel 27 task end-point |
| <a href="#">FORK[28].TEP</a> | 0x980  | Channel 28 task end-point |
| <a href="#">FORK[29].TEP</a> | 0x984  | Channel 29 task end-point |
| <a href="#">FORK[30].TEP</a> | 0x988  | Channel 30 task end-point |
| <a href="#">FORK[31].TEP</a> | 0x98C  | Channel 31 task end-point |

## 22.2.1 CHEN

Address offset: 0x500

Channel enable register

| Bit number       | 31 30 29 28 27 26 25 24 23 22 21 20 19 18 17 16 15 14 13 12 11 10 9 8 7 6 5 4 3 2 1 0 |       |          |       |                             |  |  |  |  |  |  |  |  |  |  |  |  |  |  |  |  |  |  |  |  |  |  |  |  |  |  |  |
|------------------|---|-------|----------|-------|-----------------------------|--|--|--|--|--|--|--|--|--|--|--|--|--|--|--|--|--|--|--|--|--|--|--|--|--|--|--|
| Id               | f e d c b a z y x w v u t s r q p o n m l k j i h g f e d c b a                       |       |          |       |                             |  |  |  |  |  |  |  |  |  |  |  |  |  |  |  |  |  |  |  |  |  |  |  |  |  |  |  |
| Reset 0x00000000 | 0                   |       |          |       |                             |  |  |  |  |  |  |  |  |  |  |  |  |  |  |  |  |  |  |  |  |  |  |  |  |  |  |  |
| Id               | RW  | Field | Value Id | Value | Description                 |  |  |  |  |  |  |  |  |  |  |  |  |  |  |  |  |  |  |  |  |  |  |  |  |  |  |  |
| A                | RW  | CH0   | Disabled | 0     | Disable channel             |  |  |  |  |  |  |  |  |  |  |  |  |  |  |  |  |  |  |  |  |  |  |  |  |  |  |  |
|                  |   |       | Enabled  | 1     | Enable channel              |  |  |  |  |  |  |  |  |  |  |  |  |  |  |  |  |  |  |  |  |  |  |  |  |  |  |  |
| B                | RW  | CH1   | Disabled | 0     | Disable channel             |  |  |  |  |  |  |  |  |  |  |  |  |  |  |  |  |  |  |  |  |  |  |  |  |  |  |  |
|                  |   |       | Enabled  | 1     | Enable channel              |  |  |  |  |  |  |  |  |  |  |  |  |  |  |  |  |  |  |  |  |  |  |  |  |  |  |  |
| C                | RW  | CH2   | Disabled | 0     | Disable channel             |  |  |  |  |  |  |  |  |  |  |  |  |  |  |  |  |  |  |  |  |  |  |  |  |  |  |  |
|                  |   |       | Enabled  | 1     | Enable channel              |  |  |  |  |  |  |  |  |  |  |  |  |  |  |  |  |  |  |  |  |  |  |  |  |  |  |  |
| D                | RW  | CH3   | Disabled | 0     | Disable channel             |  |  |  |  |  |  |  |  |  |  |  |  |  |  |  |  |  |  |  |  |  |  |  |  |  |  |  |
|                  |   |       | Enabled  | 1     | Enable channel              |  |  |  |  |  |  |  |  |  |  |  |  |  |  |  |  |  |  |  |  |  |  |  |  |  |  |  |
| E                | RW  | CH4   | Disabled | 0     | Disable channel             |  |  |  |  |  |  |  |  |  |  |  |  |  |  |  |  |  |  |  |  |  |  |  |  |  |  |  |
|                  |   |       | Enabled  | 1     | Enable channel              |  |  |  |  |  |  |  |  |  |  |  |  |  |  |  |  |  |  |  |  |  |  |  |  |  |  |  |
| F                | RW  | CH5   | Disabled | 0     | Disable channel             |  |  |  |  |  |  |  |  |  |  |  |  |  |  |  |  |  |  |  |  |  |  |  |  |  |  |  |
|                  |   |       | Enabled  | 1     | Enable channel              |  |  |  |  |  |  |  |  |  |  |  |  |  |  |  |  |  |  |  |  |  |  |  |  |  |  |  |
| G                | RW  | CH6   | Disabled | 0     | Disable channel             |  |  |  |  |  |  |  |  |  |  |  |  |  |  |  |  |  |  |  |  |  |  |  |  |  |  |  |
|                  |   |       | Enabled  | 1     | Enable channel              |  |  |  |  |  |  |  |  |  |  |  |  |  |  |  |  |  |  |  |  |  |  |  |  |  |  |  |
| H                | RW  | CH7   |          |       | Enable or disable channel 7 |  |  |  |  |  |  |  |  |  |  |  |  |  |  |  |  |  |  |  |  |  |  |  |  |  |  |  |

| Bit number       |   |       |          |       |                              |  |  |  |  |  |  |  |  |  |  |  |  |  |  |  |  |  |  |  |  |  |  |  |  |  |  |  |
|------------------|---|-------|----------|-------|------------------------------|--|--|--|--|--|--|--|--|--|--|--|--|--|--|--|--|--|--|--|--|--|--|--|--|--|--|--|
| Id               | f e d c b a Z Y X W V U T S R Q P O N M L K J I H G F E D C B A             |       |          |       |                              |  |  |  |  |  |  |  |  |  |  |  |  |  |  |  |  |  |  |  |  |  |  |  |  |  |  |  |
| Reset 0x00000000 | 0 |       |          |       |                              |  |  |  |  |  |  |  |  |  |  |  |  |  |  |  |  |  |  |  |  |  |  |  |  |  |  |  |
| Id               | RW  | Field | Value Id | Value | Description                  |  |  |  |  |  |  |  |  |  |  |  |  |  |  |  |  |  |  |  |  |  |  |  |  |  |  |  |
|                  |   |       | Disabled | 0     | Disable channel              |  |  |  |  |  |  |  |  |  |  |  |  |  |  |  |  |  |  |  |  |  |  |  |  |  |  |  |
|                  |   |       | Enabled  | 1     | Enable channel               |  |  |  |  |  |  |  |  |  |  |  |  |  |  |  |  |  |  |  |  |  |  |  |  |  |  |  |
| I                | RW  | CH8   |          |       | Enable or disable channel 8  |  |  |  |  |  |  |  |  |  |  |  |  |  |  |  |  |  |  |  |  |  |  |  |  |  |  |  |
|                  |   |       | Disabled | 0     | Disable channel              |  |  |  |  |  |  |  |  |  |  |  |  |  |  |  |  |  |  |  |  |  |  |  |  |  |  |  |
|                  |   |       | Enabled  | 1     | Enable channel               |  |  |  |  |  |  |  |  |  |  |  |  |  |  |  |  |  |  |  |  |  |  |  |  |  |  |  |
|                  |   |       | Disabled | 0     | Disable channel              |  |  |  |  |  |  |  |  |  |  |  |  |  |  |  |  |  |  |  |  |  |  |  |  |  |  |  |
| J                | RW  | CH9   |          |       | Enable or disable channel 9  |  |  |  |  |  |  |  |  |  |  |  |  |  |  |  |  |  |  |  |  |  |  |  |  |  |  |  |
|                  |   |       | Enabled  | 1     | Enable channel               |  |  |  |  |  |  |  |  |  |  |  |  |  |  |  |  |  |  |  |  |  |  |  |  |  |  |  |
|                  |   |       | Disabled | 0     | Disable channel              |  |  |  |  |  |  |  |  |  |  |  |  |  |  |  |  |  |  |  |  |  |  |  |  |  |  |  |
|                  |   |       | Enabled  | 1     | Enable channel               |  |  |  |  |  |  |  |  |  |  |  |  |  |  |  |  |  |  |  |  |  |  |  |  |  |  |  |
| K                | RW  | CH10  |          |       | Enable or disable channel 10 |  |  |  |  |  |  |  |  |  |  |  |  |  |  |  |  |  |  |  |  |  |  |  |  |  |  |  |
|                  |   |       | Disabled | 0     | Disable channel              |  |  |  |  |  |  |  |  |  |  |  |  |  |  |  |  |  |  |  |  |  |  |  |  |  |  |  |
|                  |   |       | Enabled  | 1     | Enable channel               |  |  |  |  |  |  |  |  |  |  |  |  |  |  |  |  |  |  |  |  |  |  |  |  |  |  |  |
|                  |   |       | Disabled | 0     | Disable channel              |  |  |  |  |  |  |  |  |  |  |  |  |  |  |  |  |  |  |  |  |  |  |  |  |  |  |  |
| L                | RW  | CH11  |          |       | Enable or disable channel 11 |  |  |  |  |  |  |  |  |  |  |  |  |  |  |  |  |  |  |  |  |  |  |  |  |  |  |  |
|                  |   |       | Enabled  | 1     | Enable channel               |  |  |  |  |  |  |  |  |  |  |  |  |  |  |  |  |  |  |  |  |  |  |  |  |  |  |  |
|                  |   |       | Disabled | 0     | Disable channel              |  |  |  |  |  |  |  |  |  |  |  |  |  |  |  |  |  |  |  |  |  |  |  |  |  |  |  |
|                  |   |       | Enabled  | 1     | Enable channel               |  |  |  |  |  |  |  |  |  |  |  |  |  |  |  |  |  |  |  |  |  |  |  |  |  |  |  |
| M                | RW  | CH12  |          |       | Enable or disable channel 12 |  |  |  |  |  |  |  |  |  |  |  |  |  |  |  |  |  |  |  |  |  |  |  |  |  |  |  |
|                  |   |       | Disabled | 0     | Disable channel              |  |  |  |  |  |  |  |  |  |  |  |  |  |  |  |  |  |  |  |  |  |  |  |  |  |  |  |
|                  |   |       | Enabled  | 1     | Enable channel               |  |  |  |  |  |  |  |  |  |  |  |  |  |  |  |  |  |  |  |  |  |  |  |  |  |  |  |
|                  |   |       | Disabled | 0     | Disable channel              |  |  |  |  |  |  |  |  |  |  |  |  |  |  |  |  |  |  |  |  |  |  |  |  |  |  |  |
| N                | RW  | CH13  |          |       | Enable or disable channel 13 |  |  |  |  |  |  |  |  |  |  |  |  |  |  |  |  |  |  |  |  |  |  |  |  |  |  |  |
|                  |   |       | Enabled  | 1     | Enable channel               |  |  |  |  |  |  |  |  |  |  |  |  |  |  |  |  |  |  |  |  |  |  |  |  |  |  |  |
|                  |   |       | Disabled | 0     | Disable channel              |  |  |  |  |  |  |  |  |  |  |  |  |  |  |  |  |  |  |  |  |  |  |  |  |  |  |  |
|                  |   |       | Enabled  | 1     | Enable channel               |  |  |  |  |  |  |  |  |  |  |  |  |  |  |  |  |  |  |  |  |  |  |  |  |  |  |  |
| O                | RW  | CH14  |          |       | Enable or disable channel 14 |  |  |  |  |  |  |  |  |  |  |  |  |  |  |  |  |  |  |  |  |  |  |  |  |  |  |  |
|                  |   |       | Disabled | 0     | Disable channel              |  |  |  |  |  |  |  |  |  |  |  |  |  |  |  |  |  |  |  |  |  |  |  |  |  |  |  |
|                  |   |       | Enabled  | 1     | Enable channel               |  |  |  |  |  |  |  |  |  |  |  |  |  |  |  |  |  |  |  |  |  |  |  |  |  |  |  |
|                  |   |       | Disabled | 0     | Disable channel              |  |  |  |  |  |  |  |  |  |  |  |  |  |  |  |  |  |  |  |  |  |  |  |  |  |  |  |
| P                | RW  | CH15  |          |       | Enable or disable channel 15 |  |  |  |  |  |  |  |  |  |  |  |  |  |  |  |  |  |  |  |  |  |  |  |  |  |  |  |
|                  |   |       | Enabled  | 1     | Enable channel               |  |  |  |  |  |  |  |  |  |  |  |  |  |  |  |  |  |  |  |  |  |  |  |  |  |  |  |
|                  |   |       | Disabled | 0     | Disable channel              |  |  |  |  |  |  |  |  |  |  |  |  |  |  |  |  |  |  |  |  |  |  |  |  |  |  |  |
|                  |   |       | Enabled  | 1     | Enable channel               |  |  |  |  |  |  |  |  |  |  |  |  |  |  |  |  |  |  |  |  |  |  |  |  |  |  |  |
| Q                | RW  | CH16  |          |       | Enable or disable channel 16 |  |  |  |  |  |  |  |  |  |  |  |  |  |  |  |  |  |  |  |  |  |  |  |  |  |  |  |
|                  |   |       | Disabled | 0     | Disable channel              |  |  |  |  |  |  |  |  |  |  |  |  |  |  |  |  |  |  |  |  |  |  |  |  |  |  |  |
|                  |   |       | Enabled  | 1     | Enable channel               |  |  |  |  |  |  |  |  |  |  |  |  |  |  |  |  |  |  |  |  |  |  |  |  |  |  |  |
|                  |   |       | Disabled | 0     | Disable channel              |  |  |  |  |  |  |  |  |  |  |  |  |  |  |  |  |  |  |  |  |  |  |  |  |  |  |  |
| R                | RW  | CH17  |          |       | Enable or disable channel 17 |  |  |  |  |  |  |  |  |  |  |  |  |  |  |  |  |  |  |  |  |  |  |  |  |  |  |  |
|                  |   |       | Enabled  | 1     | Enable channel               |  |  |  |  |  |  |  |  |  |  |  |  |  |  |  |  |  |  |  |  |  |  |  |  |  |  |  |
|                  |   |       | Disabled | 0     | Disable channel              |  |  |  |  |  |  |  |  |  |  |  |  |  |  |  |  |  |  |  |  |  |  |  |  |  |  |  |
|                  |   |       | Enabled  | 1     | Enable channel               |  |  |  |  |  |  |  |  |  |  |  |  |  |  |  |  |  |  |  |  |  |  |  |  |  |  |  |
| S                | RW  | CH18  |          |       | Enable or disable channel 18 |  |  |  |  |  |  |  |  |  |  |  |  |  |  |  |  |  |  |  |  |  |  |  |  |  |  |  |
|                  |   |       | Disabled | 0     | Disable channel              |  |  |  |  |  |  |  |  |  |  |  |  |  |  |  |  |  |  |  |  |  |  |  |  |  |  |  |
|                  |   |       | Enabled  | 1     | Enable channel               |  |  |  |  |  |  |  |  |  |  |  |  |  |  |  |  |  |  |  |  |  |  |  |  |  |  |  |
|                  |   |       | Disabled | 0     | Disable channel              |  |  |  |  |  |  |  |  |  |  |  |  |  |  |  |  |  |  |  |  |  |  |  |  |  |  |  |
| T                | RW  | CH19  |          |       | Enable or disable channel 19 |  |  |  |  |  |  |  |  |  |  |  |  |  |  |  |  |  |  |  |  |  |  |  |  |  |  |  |
|                  |   |       | Enabled  | 1     | Enable channel               |  |  |  |  |  |  |  |  |  |  |  |  |  |  |  |  |  |  |  |  |  |  |  |  |  |  |  |
|                  |   |       | Disabled | 0     | Disable channel              |  |  |  |  |  |  |  |  |  |  |  |  |  |  |  |  |  |  |  |  |  |  |  |  |  |  |  |
|                  |   |       | Enabled  | 1     | Enable channel               |  |  |  |  |  |  |  |  |  |  |  |  |  |  |  |  |  |  |  |  |  |  |  |  |  |  |  |
| U                | RW  | CH20  |          |       | Enable or disable channel 20 |  |  |  |  |  |  |  |  |  |  |  |  |  |  |  |  |  |  |  |  |  |  |  |  |  |  |  |
|                  |   |       | Disabled | 0     | Disable channel              |  |  |  |  |  |  |  |  |  |  |  |  |  |  |  |  |  |  |  |  |  |  |  |  |  |  |  |
|                  |   |       | Enabled  | 1     | Enable channel               |  |  |  |  |  |  |  |  |  |  |  |  |  |  |  |  |  |  |  |  |  |  |  |  |  |  |  |
|                  |   |       | Disabled | 0     | Disable channel              |  |  |  |  |  |  |  |  |  |  |  |  |  |  |  |  |  |  |  |  |  |  |  |  |  |  |  |
| V                | RW  | CH21  |          |       | Enable or disable channel 21 |  |  |  |  |  |  |  |  |  |  |  |  |  |  |  |  |  |  |  |  |  |  |  |  |  |  |  |
|                  |   |       | Enabled  | 1     | Enable channel               |  |  |  |  |  |  |  |  |  |  |  |  |  |  |  |  |  |  |  |  |  |  |  |  |  |  |  |
|                  |   |       | Disabled | 0     | Disable channel              |  |  |  |  |  |  |  |  |  |  |  |  |  |  |  |  |  |  |  |  |  |  |  |  |  |  |  |
|                  |   |       | Enabled  | 1     | Enable channel               |  |  |  |  |  |  |  |  |  |  |  |  |  |  |  |  |  |  |  |  |  |  |  |  |  |  |  |
| W                | RW  | CH22  |          |       | Enable or disable channel 22 |  |  |  |  |  |  |  |  |  |  |  |  |  |  |  |  |  |  |  |  |  |  |  |  |  |  |  |
|                  |   |       | Disabled | 0     | Disable channel              |  |  |  |  |  |  |  |  |  |  |  |  |  |  |  |  |  |  |  |  |  |  |  |  |  |  |  |
|                  |   |       | Enabled  | 1     | Enable channel               |  |  |  |  |  |  |  |  |  |  |  |  |  |  |  |  |  |  |  |  |  |  |  |  |  |  |  |
|                  |   |       | Disabled | 0     | Disable channel              |  |  |  |  |  |  |  |  |  |  |  |  |  |  |  |  |  |  |  |  |  |  |  |  |  |  |  |
| X                | RW  | CH23  |          |       | Enable or disable channel 23 |  |  |  |  |  |  |  |  |  |  |  |  |  |  |  |  |  |  |  |  |  |  |  |  |  |  |  |
|                  |   |       | Enabled  | 1     | Enable channel               |  |  |  |  |  |  |  |  |  |  |  |  |  |  |  |  |  |  |  |  |  |  |  |  |  |  |  |
|                  |   |       | Disabled | 0     | Disable channel              |  |  |  |  |  |  |  |  |  |  |  |  |  |  |  |  |  |  |  |  |  |  |  |  |  |  |  |
|                  |   |       | Enabled  | 1     | Enable channel               |  |  |  |  |  |  |  |  |  |  |  |  |  |  |  |  |  |  |  |  |  |  |  |  |  |  |  |
| Y                | RW  | CH24  |          |       | Enable or disable channel 24 |  |  |  |  |  |  |  |  |  |  |  |  |  |  |  |  |  |  |  |  |  |  |  |  |  |  |  |
|                  |   |       | Disabled | 0     | Disable channel              |  |  |  |  |  |  |  |  |  |  |  |  |  |  |  |  |  |  |  |  |  |  |  |  |  |  |  |
|                  |   |       | Enabled  | 1     | Enable channel               |  |  |  |  |  |  |  |  |  |  |  |  |  |  |  |  |  |  |  |  |  |  |  |  |  |  |  |
|                  |   |       | Disabled | 0     | Disable channel              |  |  |  |  |  |  |  |  |  |  |  |  |  |  |  |  |  |  |  |  |  |  |  |  |  |  |  |
| Z                | RW  | CH25  |          |       | Enable or disable channel 25 |  |  |  |  |  |  |  |  |  |  |  |  |  |  |  |  |  |  |  |  |  |  |  |  |  |  |  |
|                  |   |       | Enabled  | 1     | Enable channel               |  |  |  |  |  |  |  |  |  |  |  |  |  |  |  |  |  |  |  |  |  |  |  |  |  |  |  |
|                  |   |       | Disabled | 0     | Disable channel              |  |  |  |  |  |  |  |  |  |  |  |  |  |  |  |  |  |  |  |  |  |  |  |  |  |  |  |

| Bit number       |    |       |          |       |                              |  |  |  |  |  |  |  |  |  |  |  |  |  |  |  |  |  |  |  |  |  |  |  |  |  |  |  |
|------------------|----|-------|----------|-------|------------------------------|--|--|--|--|--|--|--|--|--|--|--|--|--|--|--|--|--|--|--|--|--|--|--|--|--|--|--|
| Id               |    |       |          |       |                              |  |  |  |  |  |  |  |  |  |  |  |  |  |  |  |  |  |  |  |  |  |  |  |  |  |  |  |
| Reset 0x00000000 |    |       |          |       |                              |  |  |  |  |  |  |  |  |  |  |  |  |  |  |  |  |  |  |  |  |  |  |  |  |  |  |  |
| Id               | RW | Field | Value Id | Value | Description                  |  |  |  |  |  |  |  |  |  |  |  |  |  |  |  |  |  |  |  |  |  |  |  |  |  |  |  |
|                  |    |       | Enabled  | 1     | Enable channel               |  |  |  |  |  |  |  |  |  |  |  |  |  |  |  |  |  |  |  |  |  |  |  |  |  |  |  |
| a                | RW | CH26  | Enabled  | 1     | Enable or disable channel 26 |  |  |  |  |  |  |  |  |  |  |  |  |  |  |  |  |  |  |  |  |  |  |  |  |  |  |  |
|                  |    |       | Disabled | 0     | Disable channel              |  |  |  |  |  |  |  |  |  |  |  |  |  |  |  |  |  |  |  |  |  |  |  |  |  |  |  |
|                  |    |       | Enabled  | 1     | Enable channel               |  |  |  |  |  |  |  |  |  |  |  |  |  |  |  |  |  |  |  |  |  |  |  |  |  |  |  |
| b                | RW | CH27  | Enabled  | 1     | Enable or disable channel 27 |  |  |  |  |  |  |  |  |  |  |  |  |  |  |  |  |  |  |  |  |  |  |  |  |  |  |  |
|                  |    |       | Disabled | 0     | Disable channel              |  |  |  |  |  |  |  |  |  |  |  |  |  |  |  |  |  |  |  |  |  |  |  |  |  |  |  |
|                  |    |       | Enabled  | 1     | Enable channel               |  |  |  |  |  |  |  |  |  |  |  |  |  |  |  |  |  |  |  |  |  |  |  |  |  |  |  |
| c                | RW | CH28  | Enabled  | 1     | Enable or disable channel 28 |  |  |  |  |  |  |  |  |  |  |  |  |  |  |  |  |  |  |  |  |  |  |  |  |  |  |  |
|                  |    |       | Disabled | 0     | Disable channel              |  |  |  |  |  |  |  |  |  |  |  |  |  |  |  |  |  |  |  |  |  |  |  |  |  |  |  |
|                  |    |       | Enabled  | 1     | Enable channel               |  |  |  |  |  |  |  |  |  |  |  |  |  |  |  |  |  |  |  |  |  |  |  |  |  |  |  |
| d                | RW | CH29  | Enabled  | 1     | Enable or disable channel 29 |  |  |  |  |  |  |  |  |  |  |  |  |  |  |  |  |  |  |  |  |  |  |  |  |  |  |  |
|                  |    |       | Disabled | 0     | Disable channel              |  |  |  |  |  |  |  |  |  |  |  |  |  |  |  |  |  |  |  |  |  |  |  |  |  |  |  |
|                  |    |       | Enabled  | 1     | Enable channel               |  |  |  |  |  |  |  |  |  |  |  |  |  |  |  |  |  |  |  |  |  |  |  |  |  |  |  |
| e                | RW | CH30  | Enabled  | 1     | Enable or disable channel 30 |  |  |  |  |  |  |  |  |  |  |  |  |  |  |  |  |  |  |  |  |  |  |  |  |  |  |  |
|                  |    |       | Disabled | 0     | Disable channel              |  |  |  |  |  |  |  |  |  |  |  |  |  |  |  |  |  |  |  |  |  |  |  |  |  |  |  |
|                  |    |       | Enabled  | 1     | Enable channel               |  |  |  |  |  |  |  |  |  |  |  |  |  |  |  |  |  |  |  |  |  |  |  |  |  |  |  |
| f                | RW | CH31  | Enabled  | 1     | Enable or disable channel 31 |  |  |  |  |  |  |  |  |  |  |  |  |  |  |  |  |  |  |  |  |  |  |  |  |  |  |  |
|                  |    |       | Disabled | 0     | Disable channel              |  |  |  |  |  |  |  |  |  |  |  |  |  |  |  |  |  |  |  |  |  |  |  |  |  |  |  |
|                  |    |       | Enabled  | 1     | Enable channel               |  |  |  |  |  |  |  |  |  |  |  |  |  |  |  |  |  |  |  |  |  |  |  |  |  |  |  |

## 22.2.2 CHENSET

Address offset: 0x504

Channel enable set register

Read: reads value of CH{i} field in CHEN register.

| Bit number       |    |       |          |       |  |  |  |  |  |  |  |  |  |  |  |  |  |  |  |  |  |  |  |  |  |  |  |  |  |  |  |  |
|------------------|----|-------|----------|-------|--|--|--|--|--|--|--|--|--|--|--|--|--|--|--|--|--|--|--|--|--|--|--|--|--|--|--|--|
| Id               |    |       |          |       |  |  |  |  |  |  |  |  |  |  |  |  |  |  |  |  |  |  |  |  |  |  |  |  |  |  |  |  |
| Reset 0x00000000 |    |       |          |       |  |  |  |  |  |  |  |  |  |  |  |  |  |  |  |  |  |  |  |  |  |  |  |  |  |  |  |  |
| Id               | RW | Field | Value Id | Value | Description  |  |  |  |  |  |  |  |  |  |  |  |  |  |  |  |  |  |  |  |  |  |  |  |  |  |  |  |
| A                | RW | CH0   | Disabled | 0     | Channel 0 enable set register. Writing '0' has no effect |  |  |  |  |  |  |  |  |  |  |  |  |  |  |  |  |  |  |  |  |  |  |  |  |  |  |  |
|                  |    |       | Enabled  | 1     | Read: channel disabled                                   |  |  |  |  |  |  |  |  |  |  |  |  |  |  |  |  |  |  |  |  |  |  |  |  |  |  |  |
|                  |    |       | Set      | 1     | Read: channel enabled                                    |  |  |  |  |  |  |  |  |  |  |  |  |  |  |  |  |  |  |  |  |  |  |  |  |  |  |  |
|                  |    |       | Set      | 1     | Write: Enable channel                                    |  |  |  |  |  |  |  |  |  |  |  |  |  |  |  |  |  |  |  |  |  |  |  |  |  |  |  |
| B                | RW | CH1   | Disabled | 0     | Channel 1 enable set register. Writing '0' has no effect |  |  |  |  |  |  |  |  |  |  |  |  |  |  |  |  |  |  |  |  |  |  |  |  |  |  |  |
|                  |    |       | Enabled  | 1     | Read: channel disabled                                   |  |  |  |  |  |  |  |  |  |  |  |  |  |  |  |  |  |  |  |  |  |  |  |  |  |  |  |
|                  |    |       | Set      | 1     | Read: channel enabled                                    |  |  |  |  |  |  |  |  |  |  |  |  |  |  |  |  |  |  |  |  |  |  |  |  |  |  |  |
|                  |    |       | Set      | 1     | Write: Enable channel                                    |  |  |  |  |  |  |  |  |  |  |  |  |  |  |  |  |  |  |  |  |  |  |  |  |  |  |  |
| C                | RW | CH2   | Disabled | 0     | Channel 2 enable set register. Writing '0' has no effect |  |  |  |  |  |  |  |  |  |  |  |  |  |  |  |  |  |  |  |  |  |  |  |  |  |  |  |
|                  |    |       | Enabled  | 1     | Read: channel disabled                                   |  |  |  |  |  |  |  |  |  |  |  |  |  |  |  |  |  |  |  |  |  |  |  |  |  |  |  |
|                  |    |       | Set      | 1     | Read: channel enabled                                    |  |  |  |  |  |  |  |  |  |  |  |  |  |  |  |  |  |  |  |  |  |  |  |  |  |  |  |
|                  |    |       | Set      | 1     | Write: Enable channel                                    |  |  |  |  |  |  |  |  |  |  |  |  |  |  |  |  |  |  |  |  |  |  |  |  |  |  |  |
| D                | RW | CH3   | Disabled | 0     | Channel 3 enable set register. Writing '0' has no effect |  |  |  |  |  |  |  |  |  |  |  |  |  |  |  |  |  |  |  |  |  |  |  |  |  |  |  |
|                  |    |       | Enabled  | 1     | Read: channel disabled                                   |  |  |  |  |  |  |  |  |  |  |  |  |  |  |  |  |  |  |  |  |  |  |  |  |  |  |  |
|                  |    |       | Set      | 1     | Read: channel enabled                                    |  |  |  |  |  |  |  |  |  |  |  |  |  |  |  |  |  |  |  |  |  |  |  |  |  |  |  |
|                  |    |       | Set      | 1     | Write: Enable channel                                    |  |  |  |  |  |  |  |  |  |  |  |  |  |  |  |  |  |  |  |  |  |  |  |  |  |  |  |
| E                | RW | CH4   | Disabled | 0     | Channel 4 enable set register. Writing '0' has no effect |  |  |  |  |  |  |  |  |  |  |  |  |  |  |  |  |  |  |  |  |  |  |  |  |  |  |  |
|                  |    |       | Enabled  | 1     | Read: channel disabled                                   |  |  |  |  |  |  |  |  |  |  |  |  |  |  |  |  |  |  |  |  |  |  |  |  |  |  |  |
|                  |    |       | Set      | 1     | Read: channel enabled                                    |  |  |  |  |  |  |  |  |  |  |  |  |  |  |  |  |  |  |  |  |  |  |  |  |  |  |  |
|                  |    |       | Set      | 1     | Write: Enable channel                                    |  |  |  |  |  |  |  |  |  |  |  |  |  |  |  |  |  |  |  |  |  |  |  |  |  |  |  |
| F                | RW | CH5   | Disabled | 0     | Channel 5 enable set register. Writing '0' has no effect |  |  |  |  |  |  |  |  |  |  |  |  |  |  |  |  |  |  |  |  |  |  |  |  |  |  |  |
|                  |    |       | Enabled  | 1     | Read: channel disabled                                   |  |  |  |  |  |  |  |  |  |  |  |  |  |  |  |  |  |  |  |  |  |  |  |  |  |  |  |
|                  |    |       | Set      | 1     | Read: channel enabled                                    |  |  |  |  |  |  |  |  |  |  |  |  |  |  |  |  |  |  |  |  |  |  |  |  |  |  |  |
|                  |    |       | Set      | 1     | Write: Enable channel                                    |  |  |  |  |  |  |  |  |  |  |  |  |  |  |  |  |  |  |  |  |  |  |  |  |  |  |  |

| Bit number       |    |       |          |       |   |  |  |  |  |  |  |  |  |  |  |  |  |  |  |  |  |  |  |  |  |  |  |  |  |  |  |
|------------------|----|-------|----------|-------|---|--|--|--|--|--|--|--|--|--|--|--|--|--|--|--|--|--|--|--|--|--|--|--|--|--|--|
| Id               |    |       |          |       |   |  |  |  |  |  |  |  |  |  |  |  |  |  |  |  |  |  |  |  |  |  |  |  |  |  |  |
| Reset 0x00000000 |    |       |          |       |   |  |  |  |  |  |  |  |  |  |  |  |  |  |  |  |  |  |  |  |  |  |  |  |  |  |  |
| Id               | RW | Field | Value Id | Value | Description   |  |  |  |  |  |  |  |  |  |  |  |  |  |  |  |  |  |  |  |  |  |  |  |  |  |  |
| G                | RW | CH6   | Disabled | 0     | Channel 6 enable set register. Writing '0' has no effect<br>Read: channel disabled  |  |  |  |  |  |  |  |  |  |  |  |  |  |  |  |  |  |  |  |  |  |  |  |  |  |  |
|                  |    |       | Enabled  | 1     | Read: channel enabled   |  |  |  |  |  |  |  |  |  |  |  |  |  |  |  |  |  |  |  |  |  |  |  |  |  |  |
|                  |    |       | Set      | 1     | Write: Enable channel   |  |  |  |  |  |  |  |  |  |  |  |  |  |  |  |  |  |  |  |  |  |  |  |  |  |  |
| H                | RW | CH7   | Disabled | 0     | Channel 7 enable set register. Writing '0' has no effect<br>Read: channel disabled  |  |  |  |  |  |  |  |  |  |  |  |  |  |  |  |  |  |  |  |  |  |  |  |  |  |  |
|                  |    |       | Enabled  | 1     | Read: channel enabled   |  |  |  |  |  |  |  |  |  |  |  |  |  |  |  |  |  |  |  |  |  |  |  |  |  |  |
|                  |    |       | Set      | 1     | Write: Enable channel   |  |  |  |  |  |  |  |  |  |  |  |  |  |  |  |  |  |  |  |  |  |  |  |  |  |  |
| I                | RW | CH8   | Disabled | 0     | Channel 8 enable set register. Writing '0' has no effect<br>Read: channel disabled  |  |  |  |  |  |  |  |  |  |  |  |  |  |  |  |  |  |  |  |  |  |  |  |  |  |  |
|                  |    |       | Enabled  | 1     | Read: channel enabled   |  |  |  |  |  |  |  |  |  |  |  |  |  |  |  |  |  |  |  |  |  |  |  |  |  |  |
|                  |    |       | Set      | 1     | Write: Enable channel   |  |  |  |  |  |  |  |  |  |  |  |  |  |  |  |  |  |  |  |  |  |  |  |  |  |  |
| J                | RW | CH9   | Disabled | 0     | Channel 9 enable set register. Writing '0' has no effect<br>Read: channel disabled  |  |  |  |  |  |  |  |  |  |  |  |  |  |  |  |  |  |  |  |  |  |  |  |  |  |  |
|                  |    |       | Enabled  | 1     | Read: channel enabled   |  |  |  |  |  |  |  |  |  |  |  |  |  |  |  |  |  |  |  |  |  |  |  |  |  |  |
|                  |    |       | Set      | 1     | Write: Enable channel   |  |  |  |  |  |  |  |  |  |  |  |  |  |  |  |  |  |  |  |  |  |  |  |  |  |  |
| K                | RW | CH10  | Disabled | 0     | Channel 10 enable set register. Writing '0' has no effect<br>Read: channel disabled |  |  |  |  |  |  |  |  |  |  |  |  |  |  |  |  |  |  |  |  |  |  |  |  |  |  |
|                  |    |       | Enabled  | 1     | Read: channel enabled   |  |  |  |  |  |  |  |  |  |  |  |  |  |  |  |  |  |  |  |  |  |  |  |  |  |  |
|                  |    |       | Set      | 1     | Write: Enable channel   |  |  |  |  |  |  |  |  |  |  |  |  |  |  |  |  |  |  |  |  |  |  |  |  |  |  |
| L                | RW | CH11  | Disabled | 0     | Channel 11 enable set register. Writing '0' has no effect<br>Read: channel disabled |  |  |  |  |  |  |  |  |  |  |  |  |  |  |  |  |  |  |  |  |  |  |  |  |  |  |
|                  |    |       | Enabled  | 1     | Read: channel enabled   |  |  |  |  |  |  |  |  |  |  |  |  |  |  |  |  |  |  |  |  |  |  |  |  |  |  |
|                  |    |       | Set      | 1     | Write: Enable channel   |  |  |  |  |  |  |  |  |  |  |  |  |  |  |  |  |  |  |  |  |  |  |  |  |  |  |
| M                | RW | CH12  | Disabled | 0     | Channel 12 enable set register. Writing '0' has no effect<br>Read: channel disabled |  |  |  |  |  |  |  |  |  |  |  |  |  |  |  |  |  |  |  |  |  |  |  |  |  |  |
|                  |    |       | Enabled  | 1     | Read: channel enabled   |  |  |  |  |  |  |  |  |  |  |  |  |  |  |  |  |  |  |  |  |  |  |  |  |  |  |
|                  |    |       | Set      | 1     | Write: Enable channel   |  |  |  |  |  |  |  |  |  |  |  |  |  |  |  |  |  |  |  |  |  |  |  |  |  |  |
| N                | RW | CH13  | Disabled | 0     | Channel 13 enable set register. Writing '0' has no effect<br>Read: channel disabled |  |  |  |  |  |  |  |  |  |  |  |  |  |  |  |  |  |  |  |  |  |  |  |  |  |  |
|                  |    |       | Enabled  | 1     | Read: channel enabled   |  |  |  |  |  |  |  |  |  |  |  |  |  |  |  |  |  |  |  |  |  |  |  |  |  |  |
|                  |    |       | Set      | 1     | Write: Enable channel   |  |  |  |  |  |  |  |  |  |  |  |  |  |  |  |  |  |  |  |  |  |  |  |  |  |  |
| O                | RW | CH14  | Disabled | 0     | Channel 14 enable set register. Writing '0' has no effect<br>Read: channel disabled |  |  |  |  |  |  |  |  |  |  |  |  |  |  |  |  |  |  |  |  |  |  |  |  |  |  |
|                  |    |       | Enabled  | 1     | Read: channel enabled   |  |  |  |  |  |  |  |  |  |  |  |  |  |  |  |  |  |  |  |  |  |  |  |  |  |  |
|                  |    |       | Set      | 1     | Write: Enable channel   |  |  |  |  |  |  |  |  |  |  |  |  |  |  |  |  |  |  |  |  |  |  |  |  |  |  |
| P                | RW | CH15  | Disabled | 0     | Channel 15 enable set register. Writing '0' has no effect<br>Read: channel disabled |  |  |  |  |  |  |  |  |  |  |  |  |  |  |  |  |  |  |  |  |  |  |  |  |  |  |
|                  |    |       | Enabled  | 1     | Read: channel enabled   |  |  |  |  |  |  |  |  |  |  |  |  |  |  |  |  |  |  |  |  |  |  |  |  |  |  |
|                  |    |       | Set      | 1     | Write: Enable channel   |  |  |  |  |  |  |  |  |  |  |  |  |  |  |  |  |  |  |  |  |  |  |  |  |  |  |
| Q                | RW | CH16  | Disabled | 0     | Channel 16 enable set register. Writing '0' has no effect<br>Read: channel disabled |  |  |  |  |  |  |  |  |  |  |  |  |  |  |  |  |  |  |  |  |  |  |  |  |  |  |
|                  |    |       | Enabled  | 1     | Read: channel enabled   |  |  |  |  |  |  |  |  |  |  |  |  |  |  |  |  |  |  |  |  |  |  |  |  |  |  |
|                  |    |       | Set      | 1     | Write: Enable channel   |  |  |  |  |  |  |  |  |  |  |  |  |  |  |  |  |  |  |  |  |  |  |  |  |  |  |
| R                | RW | CH17  | Disabled | 0     | Channel 17 enable set register. Writing '0' has no effect<br>Read: channel disabled |  |  |  |  |  |  |  |  |  |  |  |  |  |  |  |  |  |  |  |  |  |  |  |  |  |  |
|                  |    |       | Enabled  | 1     | Read: channel enabled   |  |  |  |  |  |  |  |  |  |  |  |  |  |  |  |  |  |  |  |  |  |  |  |  |  |  |
|                  |    |       | Set      | 1     | Write: Enable channel   |  |  |  |  |  |  |  |  |  |  |  |  |  |  |  |  |  |  |  |  |  |  |  |  |  |  |
| S                | RW | CH18  | Disabled | 0     | Channel 18 enable set register. Writing '0' has no effect<br>Read: channel disabled |  |  |  |  |  |  |  |  |  |  |  |  |  |  |  |  |  |  |  |  |  |  |  |  |  |  |
|                  |    |       | Enabled  | 1     | Read: channel enabled   |  |  |  |  |  |  |  |  |  |  |  |  |  |  |  |  |  |  |  |  |  |  |  |  |  |  |
|                  |    |       | Set      | 1     | Write: Enable channel   |  |  |  |  |  |  |  |  |  |  |  |  |  |  |  |  |  |  |  |  |  |  |  |  |  |  |
| T                | RW | CH19  | Disabled | 0     | Channel 19 enable set register. Writing '0' has no effect<br>Read: channel disabled |  |  |  |  |  |  |  |  |  |  |  |  |  |  |  |  |  |  |  |  |  |  |  |  |  |  |
|                  |    |       | Enabled  | 1     | Read: channel enabled   |  |  |  |  |  |  |  |  |  |  |  |  |  |  |  |  |  |  |  |  |  |  |  |  |  |  |

|                  |    |    |    |    |    |    |    |    |    |    |    |    |    |    |    |    |    |    |    |    |    |    |   |   |   |   |   |   |   |   |   |   |   |
|------------------|----|----|----|----|----|----|----|----|----|----|----|----|----|----|----|----|----|----|----|----|----|----|---|---|---|---|---|---|---|---|---|---|---|
| Bit number       | 31 | 30 | 29 | 28 | 27 | 26 | 25 | 24 | 23 | 22 | 21 | 20 | 19 | 18 | 17 | 16 | 15 | 14 | 13 | 12 | 11 | 10 | 9 | 8 | 7 | 6 | 5 | 4 | 3 | 2 | 1 | 0 |   |
| Id               | f  | e  | d  | c  | b  | a  | Z  | Y  | X  | W  | V  | U  | T  | S  | R  | Q  | P  | O  | N  | M  | L  | K  | J | I | H | G | F | E | D | C | B | A | 0 |
| Reset 0x00000000 | 0  | 0  | 0  | 0  | 0  | 0  | 0  | 0  | 0  | 0  | 0  | 0  | 0  | 0  | 0  | 0  | 0  | 0  | 0  | 0  | 0  | 0  | 0 | 0 | 0 | 0 | 0 | 0 | 0 | 0 | 0 | 0 | 0 |

| Id | RW | Field | Value Id | Value | Description   |
|----|----|-------|----------|-------|---|
|    |    |       | Set      | 1     | Write: Enable channel                                     |
| U  | RW | CH20  |          |       | Channel 20 enable set register. Writing '0' has no effect |
|    |    |       | Disabled | 0     | Read: channel disabled                                    |
|    |    |       | Enabled  | 1     | Read: channel enabled                                     |
|    |    |       | Set      | 1     | Write: Enable channel                                     |
| V  | RW | CH21  |          |       | Channel 21 enable set register. Writing '0' has no effect |
|    |    |       | Disabled | 0     | Read: channel disabled                                    |
|    |    |       | Enabled  | 1     | Read: channel enabled                                     |
|    |    |       | Set      | 1     | Write: Enable channel                                     |
| W  | RW | CH22  |          |       | Channel 22 enable set register. Writing '0' has no effect |
|    |    |       | Disabled | 0     | Read: channel disabled                                    |
|    |    |       | Enabled  | 1     | Read: channel enabled                                     |
|    |    |       | Set      | 1     | Write: Enable channel                                     |
| X  | RW | CH23  |          |       | Channel 23 enable set register. Writing '0' has no effect |
|    |    |       | Disabled | 0     | Read: channel disabled                                    |
|    |    |       | Enabled  | 1     | Read: channel enabled                                     |
|    |    |       | Set      | 1     | Write: Enable channel                                     |
| Y  | RW | CH24  |          |       | Channel 24 enable set register. Writing '0' has no effect |
|    |    |       | Disabled | 0     | Read: channel disabled                                    |
|    |    |       | Enabled  | 1     | Read: channel enabled                                     |
|    |    |       | Set      | 1     | Write: Enable channel                                     |
| Z  | RW | CH25  |          |       | Channel 25 enable set register. Writing '0' has no effect |
|    |    |       | Disabled | 0     | Read: channel disabled                                    |
|    |    |       | Enabled  | 1     | Read: channel enabled                                     |
|    |    |       | Set      | 1     | Write: Enable channel                                     |
| a  | RW | CH26  |          |       | Channel 26 enable set register. Writing '0' has no effect |
|    |    |       | Disabled | 0     | Read: channel disabled                                    |
|    |    |       | Enabled  | 1     | Read: channel enabled                                     |
|    |    |       | Set      | 1     | Write: Enable channel                                     |
| b  | RW | CH27  |          |       | Channel 27 enable set register. Writing '0' has no effect |
|    |    |       | Disabled | 0     | Read: channel disabled                                    |
|    |    |       | Enabled  | 1     | Read: channel enabled                                     |
|    |    |       | Set      | 1     | Write: Enable channel                                     |
| c  | RW | CH28  |          |       | Channel 28 enable set register. Writing '0' has no effect |
|    |    |       | Disabled | 0     | Read: channel disabled                                    |
|    |    |       | Enabled  | 1     | Read: channel enabled                                     |
|    |    |       | Set      | 1     | Write: Enable channel                                     |
| d  | RW | CH29  |          |       | Channel 29 enable set register. Writing '0' has no effect |
|    |    |       | Disabled | 0     | Read: channel disabled                                    |
|    |    |       | Enabled  | 1     | Read: channel enabled                                     |
|    |    |       | Set      | 1     | Write: Enable channel                                     |
| e  | RW | CH30  |          |       | Channel 30 enable set register. Writing '0' has no effect |
|    |    |       | Disabled | 0     | Read: channel disabled                                    |
|    |    |       | Enabled  | 1     | Read: channel enabled                                     |
|    |    |       | Set      | 1     | Write: Enable channel                                     |
| f  | RW | CH31  |          |       | Channel 31 enable set register. Writing '0' has no effect |
|    |    |       | Disabled | 0     | Read: channel disabled                                    |
|    |    |       | Enabled  | 1     | Read: channel enabled                                     |
|    |    |       | Set      | 1     | Write: Enable channel                                     |

### 22.2.3 CHENCLR

Address offset: 0x508

Channel enable clear register

Read: reads value of CH{i} field in CHEN register.

| Bit number       | 31 30 29 28 27 26 25 24 23 22 21 20 19 18 17 16 15 14 13 12 11 10 9 8 7 6 5 4 3 2 1 0 |       |          |       |   |  |  |  |  |  |  |  |  |
|------------------|---|-------|----------|-------|---|--|--|--|--|--|--|--|--|
| Id               | f e d c b a Z Y X W V U T S R Q P O N M L K J I H G F E D C B A                       |       |          |       |   |  |  |  |  |  |  |  |  |
| Reset 0x00000000 | 0                         |       |          |       |   |  |  |  |  |  |  |  |  |
| Id               | RW  | Field | Value Id | Value | Description   |  |  |  |  |  |  |  |  |
| A                | RW  | CH0   |          |       | Channel 0 enable clear register. Writing '0' has no effect  |  |  |  |  |  |  |  |  |
|                  |   |       | Disabled | 0     | Read: channel disabled                                      |  |  |  |  |  |  |  |  |
|                  |   |       | Enabled  | 1     | Read: channel enabled                                       |  |  |  |  |  |  |  |  |
|                  |   |       | Clear    | 1     | Write: disable channel                                      |  |  |  |  |  |  |  |  |
| B                | RW  | CH1   |          |       | Channel 1 enable clear register. Writing '0' has no effect  |  |  |  |  |  |  |  |  |
|                  |   |       | Disabled | 0     | Read: channel disabled                                      |  |  |  |  |  |  |  |  |
|                  |   |       | Enabled  | 1     | Read: channel enabled                                       |  |  |  |  |  |  |  |  |
|                  |   |       | Clear    | 1     | Write: disable channel                                      |  |  |  |  |  |  |  |  |
| C                | RW  | CH2   |          |       | Channel 2 enable clear register. Writing '0' has no effect  |  |  |  |  |  |  |  |  |
|                  |   |       | Disabled | 0     | Read: channel disabled                                      |  |  |  |  |  |  |  |  |
|                  |   |       | Enabled  | 1     | Read: channel enabled                                       |  |  |  |  |  |  |  |  |
|                  |   |       | Clear    | 1     | Write: disable channel                                      |  |  |  |  |  |  |  |  |
| D                | RW  | CH3   |          |       | Channel 3 enable clear register. Writing '0' has no effect  |  |  |  |  |  |  |  |  |
|                  |   |       | Disabled | 0     | Read: channel disabled                                      |  |  |  |  |  |  |  |  |
|                  |   |       | Enabled  | 1     | Read: channel enabled                                       |  |  |  |  |  |  |  |  |
|                  |   |       | Clear    | 1     | Write: disable channel                                      |  |  |  |  |  |  |  |  |
| E                | RW  | CH4   |          |       | Channel 4 enable clear register. Writing '0' has no effect  |  |  |  |  |  |  |  |  |
|                  |   |       | Disabled | 0     | Read: channel disabled                                      |  |  |  |  |  |  |  |  |
|                  |   |       | Enabled  | 1     | Read: channel enabled                                       |  |  |  |  |  |  |  |  |
|                  |   |       | Clear    | 1     | Write: disable channel                                      |  |  |  |  |  |  |  |  |
| F                | RW  | CH5   |          |       | Channel 5 enable clear register. Writing '0' has no effect  |  |  |  |  |  |  |  |  |
|                  |   |       | Disabled | 0     | Read: channel disabled                                      |  |  |  |  |  |  |  |  |
|                  |   |       | Enabled  | 1     | Read: channel enabled                                       |  |  |  |  |  |  |  |  |
|                  |   |       | Clear    | 1     | Write: disable channel                                      |  |  |  |  |  |  |  |  |
| G                | RW  | CH6   |          |       | Channel 6 enable clear register. Writing '0' has no effect  |  |  |  |  |  |  |  |  |
|                  |   |       | Disabled | 0     | Read: channel disabled                                      |  |  |  |  |  |  |  |  |
|                  |   |       | Enabled  | 1     | Read: channel enabled                                       |  |  |  |  |  |  |  |  |
|                  |   |       | Clear    | 1     | Write: disable channel                                      |  |  |  |  |  |  |  |  |
| H                | RW  | CH7   |          |       | Channel 7 enable clear register. Writing '0' has no effect  |  |  |  |  |  |  |  |  |
|                  |   |       | Disabled | 0     | Read: channel disabled                                      |  |  |  |  |  |  |  |  |
|                  |   |       | Enabled  | 1     | Read: channel enabled                                       |  |  |  |  |  |  |  |  |
|                  |   |       | Clear    | 1     | Write: disable channel                                      |  |  |  |  |  |  |  |  |
| I                | RW  | CH8   |          |       | Channel 8 enable clear register. Writing '0' has no effect  |  |  |  |  |  |  |  |  |
|                  |   |       | Disabled | 0     | Read: channel disabled                                      |  |  |  |  |  |  |  |  |
|                  |   |       | Enabled  | 1     | Read: channel enabled                                       |  |  |  |  |  |  |  |  |
|                  |   |       | Clear    | 1     | Write: disable channel                                      |  |  |  |  |  |  |  |  |
| J                | RW  | CH9   |          |       | Channel 9 enable clear register. Writing '0' has no effect  |  |  |  |  |  |  |  |  |
|                  |   |       | Disabled | 0     | Read: channel disabled                                      |  |  |  |  |  |  |  |  |
|                  |   |       | Enabled  | 1     | Read: channel enabled                                       |  |  |  |  |  |  |  |  |
|                  |   |       | Clear    | 1     | Write: disable channel                                      |  |  |  |  |  |  |  |  |
| K                | RW  | CH10  |          |       | Channel 10 enable clear register. Writing '0' has no effect |  |  |  |  |  |  |  |  |
|                  |   |       | Disabled | 0     | Read: channel disabled                                      |  |  |  |  |  |  |  |  |
|                  |   |       | Enabled  | 1     | Read: channel enabled                                       |  |  |  |  |  |  |  |  |
|                  |   |       | Clear    | 1     | Write: disable channel                                      |  |  |  |  |  |  |  |  |
| L                | RW  | CH11  |          |       | Channel 11 enable clear register. Writing '0' has no effect |  |  |  |  |  |  |  |  |
|                  |   |       | Disabled | 0     | Read: channel disabled                                      |  |  |  |  |  |  |  |  |
|                  |   |       | Enabled  | 1     | Read: channel enabled                                       |  |  |  |  |  |  |  |  |
|                  |   |       | Clear    | 1     | Write: disable channel                                      |  |  |  |  |  |  |  |  |
| M                | RW  | CH12  |          |       | Channel 12 enable clear register. Writing '0' has no effect |  |  |  |  |  |  |  |  |
|                  |   |       | Disabled | 0     | Read: channel disabled                                      |  |  |  |  |  |  |  |  |
|                  |   |       | Enabled  | 1     | Read: channel enabled                                       |  |  |  |  |  |  |  |  |
|                  |   |       | Clear    | 1     | Write: disable channel                                      |  |  |  |  |  |  |  |  |
| N                | RW  | CH13  |          |       | Channel 13 enable clear register. Writing '0' has no effect |  |  |  |  |  |  |  |  |



|                  |    |    |    |    |    |    |    |    |    |    |    |    |    |    |    |    |    |    |    |    |    |    |   |   |   |   |   |   |   |   |   |   |
|------------------|----|----|----|----|----|----|----|----|----|----|----|----|----|----|----|----|----|----|----|----|----|----|---|---|---|---|---|---|---|---|---|---|
| Bit number       | 31 | 30 | 29 | 28 | 27 | 26 | 25 | 24 | 23 | 22 | 21 | 20 | 19 | 18 | 17 | 16 | 15 | 14 | 13 | 12 | 11 | 10 | 9 | 8 | 7 | 6 | 5 | 4 | 3 | 2 | 1 | 0 |
| Id               | f  | e  | d  | c  | b  | a  | Z  | Y  | X  | W  | V  | U  | T  | S  | R  | Q  | P  | O  | N  | M  | L  | K  | J | I | H | G | F | E | D | C | B | A |
| Reset 0x00000000 | 0  | 0  | 0  | 0  | 0  | 0  | 0  | 0  | 0  | 0  | 0  | 0  | 0  | 0  | 0  | 0  | 0  | 0  | 0  | 0  | 0  | 0  | 0 | 0 | 0 | 0 | 0 | 0 | 0 | 0 | 0 | 0 |

| Id | RW | Field | Value Id | Value | Description   |
|----|----|-------|----------|-------|---|
|    |    |       | Disabled | 0     | Read: channel disabled                                      |
|    |    |       | Enabled  | 1     | Read: channel enabled                                       |
|    |    |       | Clear    | 1     | Write: disable channel                                      |
| O  | RW | CH14  |          |       | Channel 14 enable clear register. Writing '0' has no effect |
|    |    |       | Disabled | 0     | Read: channel disabled                                      |
|    |    |       | Enabled  | 1     | Read: channel enabled                                       |
|    |    |       | Clear    | 1     | Write: disable channel                                      |
| P  | RW | CH15  |          |       | Channel 15 enable clear register. Writing '0' has no effect |
|    |    |       | Disabled | 0     | Read: channel disabled                                      |
|    |    |       | Enabled  | 1     | Read: channel enabled                                       |
|    |    |       | Clear    | 1     | Write: disable channel                                      |
| Q  | RW | CH16  |          |       | Channel 16 enable clear register. Writing '0' has no effect |
|    |    |       | Disabled | 0     | Read: channel disabled                                      |
|    |    |       | Enabled  | 1     | Read: channel enabled                                       |
|    |    |       | Clear    | 1     | Write: disable channel                                      |
| R  | RW | CH17  |          |       | Channel 17 enable clear register. Writing '0' has no effect |
|    |    |       | Disabled | 0     | Read: channel disabled                                      |
|    |    |       | Enabled  | 1     | Read: channel enabled                                       |
|    |    |       | Clear    | 1     | Write: disable channel                                      |
| S  | RW | CH18  |          |       | Channel 18 enable clear register. Writing '0' has no effect |
|    |    |       | Disabled | 0     | Read: channel disabled                                      |
|    |    |       | Enabled  | 1     | Read: channel enabled                                       |
|    |    |       | Clear    | 1     | Write: disable channel                                      |
| T  | RW | CH19  |          |       | Channel 19 enable clear register. Writing '0' has no effect |
|    |    |       | Disabled | 0     | Read: channel disabled                                      |
|    |    |       | Enabled  | 1     | Read: channel enabled                                       |
|    |    |       | Clear    | 1     | Write: disable channel                                      |
| U  | RW | CH20  |          |       | Channel 20 enable clear register. Writing '0' has no effect |
|    |    |       | Disabled | 0     | Read: channel disabled                                      |
|    |    |       | Enabled  | 1     | Read: channel enabled                                       |
|    |    |       | Clear    | 1     | Write: disable channel                                      |
| V  | RW | CH21  |          |       | Channel 21 enable clear register. Writing '0' has no effect |
|    |    |       | Disabled | 0     | Read: channel disabled                                      |
|    |    |       | Enabled  | 1     | Read: channel enabled                                       |
|    |    |       | Clear    | 1     | Write: disable channel                                      |
| W  | RW | CH22  |          |       | Channel 22 enable clear register. Writing '0' has no effect |
|    |    |       | Disabled | 0     | Read: channel disabled                                      |
|    |    |       | Enabled  | 1     | Read: channel enabled                                       |
|    |    |       | Clear    | 1     | Write: disable channel                                      |
| X  | RW | CH23  |          |       | Channel 23 enable clear register. Writing '0' has no effect |
|    |    |       | Disabled | 0     | Read: channel disabled                                      |
|    |    |       | Enabled  | 1     | Read: channel enabled                                       |
|    |    |       | Clear    | 1     | Write: disable channel                                      |
| Y  | RW | CH24  |          |       | Channel 24 enable clear register. Writing '0' has no effect |
|    |    |       | Disabled | 0     | Read: channel disabled                                      |
|    |    |       | Enabled  | 1     | Read: channel enabled                                       |
|    |    |       | Clear    | 1     | Write: disable channel                                      |
| Z  | RW | CH25  |          |       | Channel 25 enable clear register. Writing '0' has no effect |
|    |    |       | Disabled | 0     | Read: channel disabled                                      |
|    |    |       | Enabled  | 1     | Read: channel enabled                                       |
|    |    |       | Clear    | 1     | Write: disable channel                                      |
| a  | RW | CH26  |          |       | Channel 26 enable clear register. Writing '0' has no effect |
|    |    |       | Disabled | 0     | Read: channel disabled                                      |
|    |    |       | Enabled  | 1     | Read: channel enabled                                       |
|    |    |       | Clear    | 1     | Write: disable channel                                      |

| Bit number       | 31 30 29 28 27 26 25 24 23 22 21 20 19 18 17 16 15 14 13 12 11 10 9 8 7 6 5 4 3 2 1 0 |       |          |       |   |  |  |  |  |  |  |  |  |  |  |  |  |  |  |  |  |  |  |  |  |  |  |  |  |  |  |  |
|------------------|---|-------|----------|-------|---|--|--|--|--|--|--|--|--|--|--|--|--|--|--|--|--|--|--|--|--|--|--|--|--|--|--|--|
| Id               | f e d c b a Z Y X W V U T S R Q P O N M L K J I H G F E D C B A                       |       |          |       |   |  |  |  |  |  |  |  |  |  |  |  |  |  |  |  |  |  |  |  |  |  |  |  |  |  |  |  |
| Reset 0x00000000 | 0           |       |          |       |   |  |  |  |  |  |  |  |  |  |  |  |  |  |  |  |  |  |  |  |  |  |  |  |  |  |  |  |
| Id               | RW  | Field | Value Id | Value | Description   |  |  |  |  |  |  |  |  |  |  |  |  |  |  |  |  |  |  |  |  |  |  |  |  |  |  |  |
| b                | RW  | CH27  |          |       | Channel 27 enable clear register. Writing '0' has no effect |  |  |  |  |  |  |  |  |  |  |  |  |  |  |  |  |  |  |  |  |  |  |  |  |  |  |  |
|                  |   |       | Disabled | 0     | Read: channel disabled                                      |  |  |  |  |  |  |  |  |  |  |  |  |  |  |  |  |  |  |  |  |  |  |  |  |  |  |  |
|                  |   |       | Enabled  | 1     | Read: channel enabled                                       |  |  |  |  |  |  |  |  |  |  |  |  |  |  |  |  |  |  |  |  |  |  |  |  |  |  |  |
|                  |   |       | Clear    | 1     | Write: disable channel                                      |  |  |  |  |  |  |  |  |  |  |  |  |  |  |  |  |  |  |  |  |  |  |  |  |  |  |  |
| c                | RW  | CH28  |          |       | Channel 28 enable clear register. Writing '0' has no effect |  |  |  |  |  |  |  |  |  |  |  |  |  |  |  |  |  |  |  |  |  |  |  |  |  |  |  |
|                  |   |       | Disabled | 0     | Read: channel disabled                                      |  |  |  |  |  |  |  |  |  |  |  |  |  |  |  |  |  |  |  |  |  |  |  |  |  |  |  |
|                  |   |       | Enabled  | 1     | Read: channel enabled                                       |  |  |  |  |  |  |  |  |  |  |  |  |  |  |  |  |  |  |  |  |  |  |  |  |  |  |  |
|                  |   |       | Clear    | 1     | Write: disable channel                                      |  |  |  |  |  |  |  |  |  |  |  |  |  |  |  |  |  |  |  |  |  |  |  |  |  |  |  |
| d                | RW  | CH29  |          |       | Channel 29 enable clear register. Writing '0' has no effect |  |  |  |  |  |  |  |  |  |  |  |  |  |  |  |  |  |  |  |  |  |  |  |  |  |  |  |
|                  |   |       | Disabled | 0     | Read: channel disabled                                      |  |  |  |  |  |  |  |  |  |  |  |  |  |  |  |  |  |  |  |  |  |  |  |  |  |  |  |
|                  |   |       | Enabled  | 1     | Read: channel enabled                                       |  |  |  |  |  |  |  |  |  |  |  |  |  |  |  |  |  |  |  |  |  |  |  |  |  |  |  |
|                  |   |       | Clear    | 1     | Write: disable channel                                      |  |  |  |  |  |  |  |  |  |  |  |  |  |  |  |  |  |  |  |  |  |  |  |  |  |  |  |
| e                | RW  | CH30  |          |       | Channel 30 enable clear register. Writing '0' has no effect |  |  |  |  |  |  |  |  |  |  |  |  |  |  |  |  |  |  |  |  |  |  |  |  |  |  |  |
|                  |   |       | Disabled | 0     | Read: channel disabled                                      |  |  |  |  |  |  |  |  |  |  |  |  |  |  |  |  |  |  |  |  |  |  |  |  |  |  |  |
|                  |   |       | Enabled  | 1     | Read: channel enabled                                       |  |  |  |  |  |  |  |  |  |  |  |  |  |  |  |  |  |  |  |  |  |  |  |  |  |  |  |
|                  |   |       | Clear    | 1     | Write: disable channel                                      |  |  |  |  |  |  |  |  |  |  |  |  |  |  |  |  |  |  |  |  |  |  |  |  |  |  |  |
| f                | RW  | CH31  |          |       | Channel 31 enable clear register. Writing '0' has no effect |  |  |  |  |  |  |  |  |  |  |  |  |  |  |  |  |  |  |  |  |  |  |  |  |  |  |  |
|                  |   |       | Disabled | 0     | Read: channel disabled                                      |  |  |  |  |  |  |  |  |  |  |  |  |  |  |  |  |  |  |  |  |  |  |  |  |  |  |  |
|                  |   |       | Enabled  | 1     | Read: channel enabled                                       |  |  |  |  |  |  |  |  |  |  |  |  |  |  |  |  |  |  |  |  |  |  |  |  |  |  |  |
|                  |   |       | Clear    | 1     | Write: disable channel                                      |  |  |  |  |  |  |  |  |  |  |  |  |  |  |  |  |  |  |  |  |  |  |  |  |  |  |  |

### 22.2.4 CH[0].EEP

Address offset: 0x510

Channel 0 event end-point

| Bit number       | 31 30 29 28 27 26 25 24 23 22 21 20 19 18 17 16 15 14 13 12 11 10 9 8 7 6 5 4 3 2 1 0 |       |          |       |  |  |  |  |  |  |  |  |  |  |  |  |  |  |  |  |  |  |  |  |  |  |  |  |  |  |  |  |
|------------------|---|-------|----------|-------|--|--|--|--|--|--|--|--|--|--|--|--|--|--|--|--|--|--|--|--|--|--|--|--|--|--|--|--|
| Id               | A                   |       |          |       |  |  |  |  |  |  |  |  |  |  |  |  |  |  |  |  |  |  |  |  |  |  |  |  |  |  |  |  |
| Reset 0x00000000 | 0           |       |          |       |  |  |  |  |  |  |  |  |  |  |  |  |  |  |  |  |  |  |  |  |  |  |  |  |  |  |  |  |
| Id               | RW  | Field | Value Id | Value | Description  |  |  |  |  |  |  |  |  |  |  |  |  |  |  |  |  |  |  |  |  |  |  |  |  |  |  |  |
| A                | RW  | EEP   |          |       | Pointer to event register. Accepts only addresses to registers from the Event group. |  |  |  |  |  |  |  |  |  |  |  |  |  |  |  |  |  |  |  |  |  |  |  |  |  |  |  |

### 22.2.5 CH[0].TEP

Address offset: 0x514

Channel 0 task end-point

| Bit number       | 31 30 29 28 27 26 25 24 23 22 21 20 19 18 17 16 15 14 13 12 11 10 9 8 7 6 5 4 3 2 1 0 |       |          |       |  |  |  |  |  |  |  |  |  |  |  |  |  |  |  |  |  |  |  |  |  |  |  |  |  |  |  |  |
|------------------|---|-------|----------|-------|--|--|--|--|--|--|--|--|--|--|--|--|--|--|--|--|--|--|--|--|--|--|--|--|--|--|--|--|
| Id               | A                   |       |          |       |  |  |  |  |  |  |  |  |  |  |  |  |  |  |  |  |  |  |  |  |  |  |  |  |  |  |  |  |
| Reset 0x00000000 | 0           |       |          |       |  |  |  |  |  |  |  |  |  |  |  |  |  |  |  |  |  |  |  |  |  |  |  |  |  |  |  |  |
| Id               | RW  | Field | Value Id | Value | Description  |  |  |  |  |  |  |  |  |  |  |  |  |  |  |  |  |  |  |  |  |  |  |  |  |  |  |  |
| A                | RW  | TEP   |          |       | Pointer to task register. Accepts only addresses to registers from the Task group. |  |  |  |  |  |  |  |  |  |  |  |  |  |  |  |  |  |  |  |  |  |  |  |  |  |  |  |

### 22.2.6 CH[1].EEP

Address offset: 0x518

Channel 1 event end-point

| Bit number       | 31 | 30    | 29       | 28    | 27   | 26 | 25 | 24 | 23 | 22 | 21 | 20 | 19 | 18 | 17 | 16 | 15 | 14 | 13 | 12 | 11 | 10 | 9 | 8 | 7 | 6 | 5 | 4 | 3 | 2 | 1 | 0 |   |
|------------------|----|-------|----------|-------|--|----|----|----|----|----|----|----|----|----|----|----|----|----|----|----|----|----|---|---|---|---|---|---|---|---|---|---|---|
| Id               | A  | A     | A        | A     | A  | A  | A  | A  | A  | A  | A  | A  | A  | A  | A  | A  | A  | A  | A  | A  | A  | A  | A | A | A | A | A | A | A | A | A | A | A |
| Reset 0x00000000 | 0  | 0     | 0        | 0     | 0  | 0  | 0  | 0  | 0  | 0  | 0  | 0  | 0  | 0  | 0  | 0  | 0  | 0  | 0  | 0  | 0  | 0  | 0 | 0 | 0 | 0 | 0 | 0 | 0 | 0 | 0 | 0 |   |
| Id               | RW | Field | Value Id | Value | Description  |    |    |    |    |    |    |    |    |    |    |    |    |    |    |    |    |    |   |   |   |   |   |   |   |   |   |   |   |
| A                | RW | EEP   |          |       | Pointer to event register. Accepts only addresses to registers from the Event group. |    |    |    |    |    |    |    |    |    |    |    |    |    |    |    |    |    |   |   |   |   |   |   |   |   |   |   |   |

### 22.2.7 CH[1].TEP

Address offset: 0x51C

Channel 1 task end-point

| Bit number       | 31 | 30    | 29       | 28    | 27   | 26 | 25 | 24 | 23 | 22 | 21 | 20 | 19 | 18 | 17 | 16 | 15 | 14 | 13 | 12 | 11 | 10 | 9 | 8 | 7 | 6 | 5 | 4 | 3 | 2 | 1 | 0 |
|------------------|----|-------|----------|-------|--|----|----|----|----|----|----|----|----|----|----|----|----|----|----|----|----|----|---|---|---|---|---|---|---|---|---|---|
| Id               | A  | A     | A        | A     | A  | A  | A  | A  | A  | A  | A  | A  | A  | A  | A  | A  | A  | A  | A  | A  | A  | A  | A | A | A | A | A | A | A | A | A | A |
| Reset 0x00000000 | 0  | 0     | 0        | 0     | 0  | 0  | 0  | 0  | 0  | 0  | 0  | 0  | 0  | 0  | 0  | 0  | 0  | 0  | 0  | 0  | 0  | 0  | 0 | 0 | 0 | 0 | 0 | 0 | 0 | 0 | 0 | 0 |
| Id               | RW | Field | Value Id | Value | Description  |    |    |    |    |    |    |    |    |    |    |    |    |    |    |    |    |    |   |   |   |   |   |   |   |   |   |   |
| A                | RW | TEP   |          |       | Pointer to task register. Accepts only addresses to registers from the Task group. |    |    |    |    |    |    |    |    |    |    |    |    |    |    |    |    |    |   |   |   |   |   |   |   |   |   |   |

### 22.2.8 CH[2].EEP

Address offset: 0x520

Channel 2 event end-point

| Bit number       | 31 | 30    | 29       | 28    | 27   | 26 | 25 | 24 | 23 | 22 | 21 | 20 | 19 | 18 | 17 | 16 | 15 | 14 | 13 | 12 | 11 | 10 | 9 | 8 | 7 | 6 | 5 | 4 | 3 | 2 | 1 | 0 |
|------------------|----|-------|----------|-------|--|----|----|----|----|----|----|----|----|----|----|----|----|----|----|----|----|----|---|---|---|---|---|---|---|---|---|---|
| Id               | A  | A     | A        | A     | A  | A  | A  | A  | A  | A  | A  | A  | A  | A  | A  | A  | A  | A  | A  | A  | A  | A  | A | A | A | A | A | A | A | A | A | A |
| Reset 0x00000000 | 0  | 0     | 0        | 0     | 0  | 0  | 0  | 0  | 0  | 0  | 0  | 0  | 0  | 0  | 0  | 0  | 0  | 0  | 0  | 0  | 0  | 0  | 0 | 0 | 0 | 0 | 0 | 0 | 0 | 0 | 0 | 0 |
| Id               | RW | Field | Value Id | Value | Description  |    |    |    |    |    |    |    |    |    |    |    |    |    |    |    |    |    |   |   |   |   |   |   |   |   |   |   |
| A                | RW | EEP   |          |       | Pointer to event register. Accepts only addresses to registers from the Event group. |    |    |    |    |    |    |    |    |    |    |    |    |    |    |    |    |    |   |   |   |   |   |   |   |   |   |   |

### 22.2.9 CH[2].TEP

Address offset: 0x524

Channel 2 task end-point

| Bit number       | 31 | 30    | 29       | 28    | 27   | 26 | 25 | 24 | 23 | 22 | 21 | 20 | 19 | 18 | 17 | 16 | 15 | 14 | 13 | 12 | 11 | 10 | 9 | 8 | 7 | 6 | 5 | 4 | 3 | 2 | 1 | 0 |
|------------------|----|-------|----------|-------|--|----|----|----|----|----|----|----|----|----|----|----|----|----|----|----|----|----|---|---|---|---|---|---|---|---|---|---|
| Id               | A  | A     | A        | A     | A  | A  | A  | A  | A  | A  | A  | A  | A  | A  | A  | A  | A  | A  | A  | A  | A  | A  | A | A | A | A | A | A | A | A | A | A |
| Reset 0x00000000 | 0  | 0     | 0        | 0     | 0  | 0  | 0  | 0  | 0  | 0  | 0  | 0  | 0  | 0  | 0  | 0  | 0  | 0  | 0  | 0  | 0  | 0  | 0 | 0 | 0 | 0 | 0 | 0 | 0 | 0 | 0 | 0 |
| Id               | RW | Field | Value Id | Value | Description  |    |    |    |    |    |    |    |    |    |    |    |    |    |    |    |    |    |   |   |   |   |   |   |   |   |   |   |
| A                | RW | TEP   |          |       | Pointer to task register. Accepts only addresses to registers from the Task group. |    |    |    |    |    |    |    |    |    |    |    |    |    |    |    |    |    |   |   |   |   |   |   |   |   |   |   |

### 22.2.10 CH[3].EEP

Address offset: 0x528

Channel 3 event end-point

| Bit number       | 31 | 30    | 29       | 28    | 27   | 26 | 25 | 24 | 23 | 22 | 21 | 20 | 19 | 18 | 17 | 16 | 15 | 14 | 13 | 12 | 11 | 10 | 9 | 8 | 7 | 6 | 5 | 4 | 3 | 2 | 1 | 0 |
|------------------|----|-------|----------|-------|--|----|----|----|----|----|----|----|----|----|----|----|----|----|----|----|----|----|---|---|---|---|---|---|---|---|---|---|
| Id               | A  | A     | A        | A     | A  | A  | A  | A  | A  | A  | A  | A  | A  | A  | A  | A  | A  | A  | A  | A  | A  | A  | A | A | A | A | A | A | A | A | A | A |
| Reset 0x00000000 | 0  | 0     | 0        | 0     | 0  | 0  | 0  | 0  | 0  | 0  | 0  | 0  | 0  | 0  | 0  | 0  | 0  | 0  | 0  | 0  | 0  | 0  | 0 | 0 | 0 | 0 | 0 | 0 | 0 | 0 | 0 | 0 |
| Id               | RW | Field | Value Id | Value | Description  |    |    |    |    |    |    |    |    |    |    |    |    |    |    |    |    |    |   |   |   |   |   |   |   |   |   |   |
| A                | RW | EEP   |          |       | Pointer to event register. Accepts only addresses to registers from the Event group. |    |    |    |    |    |    |    |    |    |    |    |    |    |    |    |    |    |   |   |   |   |   |   |   |   |   |   |

### 22.2.11 CH[3].TEP

Address offset: 0x52C

Channel 3 task end-point

| Bit number       | 31 | 30    | 29    | 28 | 27    | 26   | 25 | 24 | 23 | 22 | 21 | 20 | 19 | 18 | 17 | 16 | 15 | 14 | 13 | 12 | 11 | 10 | 9 | 8 | 7 | 6 | 5 | 4 | 3 | 2 | 1 | 0 |   |
|------------------|----|-------|-------|----|-------|--|----|----|----|----|----|----|----|----|----|----|----|----|----|----|----|----|---|---|---|---|---|---|---|---|---|---|---|
| Id               | A  | A     | A     | A  | A     | A  | A  | A  | A  | A  | A  | A  | A  | A  | A  | A  | A  | A  | A  | A  | A  | A  | A | A | A | A | A | A | A | A | A | A | A |
| Reset 0x00000000 | 0  | 0     | 0     | 0  | 0     | 0  | 0  | 0  | 0  | 0  | 0  | 0  | 0  | 0  | 0  | 0  | 0  | 0  | 0  | 0  | 0  | 0  | 0 | 0 | 0 | 0 | 0 | 0 | 0 | 0 | 0 | 0 | 0 |
| Id               | RW | Field | Value | Id | Value | Description  |    |    |    |    |    |    |    |    |    |    |    |    |    |    |    |    |   |   |   |   |   |   |   |   |   |   |   |
| A                | RW | TEP   |       |    |       | Pointer to task register. Accepts only addresses to registers from the Task group. |    |    |    |    |    |    |    |    |    |    |    |    |    |    |    |    |   |   |   |   |   |   |   |   |   |   |   |

### 22.2.12 CH[4].EEP

Address offset: 0x530

Channel 4 event end-point

| Bit number       | 31 | 30    | 29    | 28 | 27    | 26   | 25 | 24 | 23 | 22 | 21 | 20 | 19 | 18 | 17 | 16 | 15 | 14 | 13 | 12 | 11 | 10 | 9 | 8 | 7 | 6 | 5 | 4 | 3 | 2 | 1 | 0 |
|------------------|----|-------|-------|----|-------|--|----|----|----|----|----|----|----|----|----|----|----|----|----|----|----|----|---|---|---|---|---|---|---|---|---|---|
| Id               | A  | A     | A     | A  | A     | A  | A  | A  | A  | A  | A  | A  | A  | A  | A  | A  | A  | A  | A  | A  | A  | A  | A | A | A | A | A | A | A | A | A | A |
| Reset 0x00000000 | 0  | 0     | 0     | 0  | 0     | 0  | 0  | 0  | 0  | 0  | 0  | 0  | 0  | 0  | 0  | 0  | 0  | 0  | 0  | 0  | 0  | 0  | 0 | 0 | 0 | 0 | 0 | 0 | 0 | 0 | 0 | 0 |
| Id               | RW | Field | Value | Id | Value | Description  |    |    |    |    |    |    |    |    |    |    |    |    |    |    |    |    |   |   |   |   |   |   |   |   |   |   |
| A                | RW | EEP   |       |    |       | Pointer to event register. Accepts only addresses to registers from the Event group. |    |    |    |    |    |    |    |    |    |    |    |    |    |    |    |    |   |   |   |   |   |   |   |   |   |   |

### 22.2.13 CH[4].TEP

Address offset: 0x534

Channel 4 task end-point

| Bit number       | 31 | 30    | 29    | 28 | 27    | 26   | 25 | 24 | 23 | 22 | 21 | 20 | 19 | 18 | 17 | 16 | 15 | 14 | 13 | 12 | 11 | 10 | 9 | 8 | 7 | 6 | 5 | 4 | 3 | 2 | 1 | 0 |
|------------------|----|-------|-------|----|-------|--|----|----|----|----|----|----|----|----|----|----|----|----|----|----|----|----|---|---|---|---|---|---|---|---|---|---|
| Id               | A  | A     | A     | A  | A     | A  | A  | A  | A  | A  | A  | A  | A  | A  | A  | A  | A  | A  | A  | A  | A  | A  | A | A | A | A | A | A | A | A | A | A |
| Reset 0x00000000 | 0  | 0     | 0     | 0  | 0     | 0  | 0  | 0  | 0  | 0  | 0  | 0  | 0  | 0  | 0  | 0  | 0  | 0  | 0  | 0  | 0  | 0  | 0 | 0 | 0 | 0 | 0 | 0 | 0 | 0 | 0 | 0 |
| Id               | RW | Field | Value | Id | Value | Description  |    |    |    |    |    |    |    |    |    |    |    |    |    |    |    |    |   |   |   |   |   |   |   |   |   |   |
| A                | RW | TEP   |       |    |       | Pointer to task register. Accepts only addresses to registers from the Task group. |    |    |    |    |    |    |    |    |    |    |    |    |    |    |    |    |   |   |   |   |   |   |   |   |   |   |

### 22.2.14 CH[5].EEP

Address offset: 0x538

Channel 5 event end-point

| Bit number       | 31 | 30    | 29    | 28 | 27    | 26   | 25 | 24 | 23 | 22 | 21 | 20 | 19 | 18 | 17 | 16 | 15 | 14 | 13 | 12 | 11 | 10 | 9 | 8 | 7 | 6 | 5 | 4 | 3 | 2 | 1 | 0 |
|------------------|----|-------|-------|----|-------|--|----|----|----|----|----|----|----|----|----|----|----|----|----|----|----|----|---|---|---|---|---|---|---|---|---|---|
| Id               | A  | A     | A     | A  | A     | A  | A  | A  | A  | A  | A  | A  | A  | A  | A  | A  | A  | A  | A  | A  | A  | A  | A | A | A | A | A | A | A | A | A | A |
| Reset 0x00000000 | 0  | 0     | 0     | 0  | 0     | 0  | 0  | 0  | 0  | 0  | 0  | 0  | 0  | 0  | 0  | 0  | 0  | 0  | 0  | 0  | 0  | 0  | 0 | 0 | 0 | 0 | 0 | 0 | 0 | 0 | 0 | 0 |
| Id               | RW | Field | Value | Id | Value | Description  |    |    |    |    |    |    |    |    |    |    |    |    |    |    |    |    |   |   |   |   |   |   |   |   |   |   |
| A                | RW | EEP   |       |    |       | Pointer to event register. Accepts only addresses to registers from the Event group. |    |    |    |    |    |    |    |    |    |    |    |    |    |    |    |    |   |   |   |   |   |   |   |   |   |   |

### 22.2.15 CH[5].TEP

Address offset: 0x53C

Channel 5 task end-point

| Bit number       | 31 | 30    | 29    | 28 | 27    | 26   | 25 | 24 | 23 | 22 | 21 | 20 | 19 | 18 | 17 | 16 | 15 | 14 | 13 | 12 | 11 | 10 | 9 | 8 | 7 | 6 | 5 | 4 | 3 | 2 | 1 | 0 |
|------------------|----|-------|-------|----|-------|--|----|----|----|----|----|----|----|----|----|----|----|----|----|----|----|----|---|---|---|---|---|---|---|---|---|---|
| Id               | A  | A     | A     | A  | A     | A  | A  | A  | A  | A  | A  | A  | A  | A  | A  | A  | A  | A  | A  | A  | A  | A  | A | A | A | A | A | A | A | A | A | A |
| Reset 0x00000000 | 0  | 0     | 0     | 0  | 0     | 0  | 0  | 0  | 0  | 0  | 0  | 0  | 0  | 0  | 0  | 0  | 0  | 0  | 0  | 0  | 0  | 0  | 0 | 0 | 0 | 0 | 0 | 0 | 0 | 0 | 0 | 0 |
| Id               | RW | Field | Value | Id | Value | Description  |    |    |    |    |    |    |    |    |    |    |    |    |    |    |    |    |   |   |   |   |   |   |   |   |   |   |
| A                | RW | TEP   |       |    |       | Pointer to task register. Accepts only addresses to registers from the Task group. |    |    |    |    |    |    |    |    |    |    |    |    |    |    |    |    |   |   |   |   |   |   |   |   |   |   |

### 22.2.16 CH[6].EEP

Address offset: 0x540

Channel 6 event end-point

| Bit number       | 31 | 30    | 29       | 28    | 27   | 26 | 25 | 24 | 23 | 22 | 21 | 20 | 19 | 18 | 17 | 16 | 15 | 14 | 13 | 12 | 11 | 10 | 9 | 8 | 7 | 6 | 5 | 4 | 3 | 2 | 1 | 0 |   |
|------------------|----|-------|----------|-------|--|----|----|----|----|----|----|----|----|----|----|----|----|----|----|----|----|----|---|---|---|---|---|---|---|---|---|---|---|
| Id               | A  | A     | A        | A     | A  | A  | A  | A  | A  | A  | A  | A  | A  | A  | A  | A  | A  | A  | A  | A  | A  | A  | A | A | A | A | A | A | A | A | A | A | A |
| Reset 0x00000000 | 0  | 0     | 0        | 0     | 0  | 0  | 0  | 0  | 0  | 0  | 0  | 0  | 0  | 0  | 0  | 0  | 0  | 0  | 0  | 0  | 0  | 0  | 0 | 0 | 0 | 0 | 0 | 0 | 0 | 0 | 0 | 0 |   |
| Id               | RW | Field | Value Id | Value | Description  |    |    |    |    |    |    |    |    |    |    |    |    |    |    |    |    |    |   |   |   |   |   |   |   |   |   |   |   |
| A                | RW | EEP   |          |       | Pointer to event register. Accepts only addresses to registers from the Event group. |    |    |    |    |    |    |    |    |    |    |    |    |    |    |    |    |    |   |   |   |   |   |   |   |   |   |   |   |

### 22.2.17 CH[6].TEP

Address offset: 0x544

Channel 6 task end-point

| Bit number       | 31 | 30    | 29       | 28    | 27   | 26 | 25 | 24 | 23 | 22 | 21 | 20 | 19 | 18 | 17 | 16 | 15 | 14 | 13 | 12 | 11 | 10 | 9 | 8 | 7 | 6 | 5 | 4 | 3 | 2 | 1 | 0 |
|------------------|----|-------|----------|-------|--|----|----|----|----|----|----|----|----|----|----|----|----|----|----|----|----|----|---|---|---|---|---|---|---|---|---|---|
| Id               | A  | A     | A        | A     | A  | A  | A  | A  | A  | A  | A  | A  | A  | A  | A  | A  | A  | A  | A  | A  | A  | A  | A | A | A | A | A | A | A | A | A |   |
| Reset 0x00000000 | 0  | 0     | 0        | 0     | 0  | 0  | 0  | 0  | 0  | 0  | 0  | 0  | 0  | 0  | 0  | 0  | 0  | 0  | 0  | 0  | 0  | 0  | 0 | 0 | 0 | 0 | 0 | 0 | 0 | 0 | 0 |   |
| Id               | RW | Field | Value Id | Value | Description  |    |    |    |    |    |    |    |    |    |    |    |    |    |    |    |    |    |   |   |   |   |   |   |   |   |   |   |
| A                | RW | TEP   |          |       | Pointer to task register. Accepts only addresses to registers from the Task group. |    |    |    |    |    |    |    |    |    |    |    |    |    |    |    |    |    |   |   |   |   |   |   |   |   |   |   |

### 22.2.18 CH[7].EEP

Address offset: 0x548

Channel 7 event end-point

| Bit number       | 31 | 30    | 29       | 28    | 27   | 26 | 25 | 24 | 23 | 22 | 21 | 20 | 19 | 18 | 17 | 16 | 15 | 14 | 13 | 12 | 11 | 10 | 9 | 8 | 7 | 6 | 5 | 4 | 3 | 2 | 1 | 0 |
|------------------|----|-------|----------|-------|--|----|----|----|----|----|----|----|----|----|----|----|----|----|----|----|----|----|---|---|---|---|---|---|---|---|---|---|
| Id               | A  | A     | A        | A     | A  | A  | A  | A  | A  | A  | A  | A  | A  | A  | A  | A  | A  | A  | A  | A  | A  | A  | A | A | A | A | A | A | A | A | A |   |
| Reset 0x00000000 | 0  | 0     | 0        | 0     | 0  | 0  | 0  | 0  | 0  | 0  | 0  | 0  | 0  | 0  | 0  | 0  | 0  | 0  | 0  | 0  | 0  | 0  | 0 | 0 | 0 | 0 | 0 | 0 | 0 | 0 | 0 |   |
| Id               | RW | Field | Value Id | Value | Description  |    |    |    |    |    |    |    |    |    |    |    |    |    |    |    |    |    |   |   |   |   |   |   |   |   |   |   |
| A                | RW | EEP   |          |       | Pointer to event register. Accepts only addresses to registers from the Event group. |    |    |    |    |    |    |    |    |    |    |    |    |    |    |    |    |    |   |   |   |   |   |   |   |   |   |   |

### 22.2.19 CH[7].TEP

Address offset: 0x54C

Channel 7 task end-point

| Bit number       | 31 | 30    | 29       | 28    | 27   | 26 | 25 | 24 | 23 | 22 | 21 | 20 | 19 | 18 | 17 | 16 | 15 | 14 | 13 | 12 | 11 | 10 | 9 | 8 | 7 | 6 | 5 | 4 | 3 | 2 | 1 | 0 |
|------------------|----|-------|----------|-------|--|----|----|----|----|----|----|----|----|----|----|----|----|----|----|----|----|----|---|---|---|---|---|---|---|---|---|---|
| Id               | A  | A     | A        | A     | A  | A  | A  | A  | A  | A  | A  | A  | A  | A  | A  | A  | A  | A  | A  | A  | A  | A  | A | A | A | A | A | A | A | A | A |   |
| Reset 0x00000000 | 0  | 0     | 0        | 0     | 0  | 0  | 0  | 0  | 0  | 0  | 0  | 0  | 0  | 0  | 0  | 0  | 0  | 0  | 0  | 0  | 0  | 0  | 0 | 0 | 0 | 0 | 0 | 0 | 0 | 0 | 0 |   |
| Id               | RW | Field | Value Id | Value | Description  |    |    |    |    |    |    |    |    |    |    |    |    |    |    |    |    |    |   |   |   |   |   |   |   |   |   |   |
| A                | RW | TEP   |          |       | Pointer to task register. Accepts only addresses to registers from the Task group. |    |    |    |    |    |    |    |    |    |    |    |    |    |    |    |    |    |   |   |   |   |   |   |   |   |   |   |

### 22.2.20 CH[8].EEP

Address offset: 0x550

Channel 8 event end-point

| Bit number       | 31 | 30    | 29       | 28    | 27   | 26 | 25 | 24 | 23 | 22 | 21 | 20 | 19 | 18 | 17 | 16 | 15 | 14 | 13 | 12 | 11 | 10 | 9 | 8 | 7 | 6 | 5 | 4 | 3 | 2 | 1 | 0 |
|------------------|----|-------|----------|-------|--|----|----|----|----|----|----|----|----|----|----|----|----|----|----|----|----|----|---|---|---|---|---|---|---|---|---|---|
| Id               | A  | A     | A        | A     | A  | A  | A  | A  | A  | A  | A  | A  | A  | A  | A  | A  | A  | A  | A  | A  | A  | A  | A | A | A | A | A | A | A | A | A |   |
| Reset 0x00000000 | 0  | 0     | 0        | 0     | 0  | 0  | 0  | 0  | 0  | 0  | 0  | 0  | 0  | 0  | 0  | 0  | 0  | 0  | 0  | 0  | 0  | 0  | 0 | 0 | 0 | 0 | 0 | 0 | 0 | 0 | 0 |   |
| Id               | RW | Field | Value Id | Value | Description  |    |    |    |    |    |    |    |    |    |    |    |    |    |    |    |    |    |   |   |   |   |   |   |   |   |   |   |
| A                | RW | EEP   |          |       | Pointer to event register. Accepts only addresses to registers from the Event group. |    |    |    |    |    |    |    |    |    |    |    |    |    |    |    |    |    |   |   |   |   |   |   |   |   |   |   |

### 22.2.21 CH[8].TEP

Address offset: 0x554

Channel 8 task end-point

| Bit number       | 31 | 30    | 29       | 28    | 27   | 26 | 25 | 24 | 23 | 22 | 21 | 20 | 19 | 18 | 17 | 16 | 15 | 14 | 13 | 12 | 11 | 10 | 9 | 8 | 7 | 6 | 5 | 4 | 3 | 2 | 1 | 0 |   |
|------------------|----|-------|----------|-------|--|----|----|----|----|----|----|----|----|----|----|----|----|----|----|----|----|----|---|---|---|---|---|---|---|---|---|---|---|
| Id               | A  | A     | A        | A     | A  | A  | A  | A  | A  | A  | A  | A  | A  | A  | A  | A  | A  | A  | A  | A  | A  | A  | A | A | A | A | A | A | A | A | A | A | A |
| Reset 0x00000000 | 0  | 0     | 0        | 0     | 0  | 0  | 0  | 0  | 0  | 0  | 0  | 0  | 0  | 0  | 0  | 0  | 0  | 0  | 0  | 0  | 0  | 0  | 0 | 0 | 0 | 0 | 0 | 0 | 0 | 0 | 0 | 0 |   |
| Id               | RW | Field | Value Id | Value | Description  |    |    |    |    |    |    |    |    |    |    |    |    |    |    |    |    |    |   |   |   |   |   |   |   |   |   |   |   |
| A                | RW | TEP   |          |       | Pointer to task register. Accepts only addresses to registers from the Task group. |    |    |    |    |    |    |    |    |    |    |    |    |    |    |    |    |    |   |   |   |   |   |   |   |   |   |   |   |

### 22.2.22 CH[9].EEP

Address offset: 0x558

Channel 9 event end-point

| Bit number       | 31 | 30    | 29       | 28    | 27   | 26 | 25 | 24 | 23 | 22 | 21 | 20 | 19 | 18 | 17 | 16 | 15 | 14 | 13 | 12 | 11 | 10 | 9 | 8 | 7 | 6 | 5 | 4 | 3 | 2 | 1 | 0 |
|------------------|----|-------|----------|-------|--|----|----|----|----|----|----|----|----|----|----|----|----|----|----|----|----|----|---|---|---|---|---|---|---|---|---|---|
| Id               | A  | A     | A        | A     | A  | A  | A  | A  | A  | A  | A  | A  | A  | A  | A  | A  | A  | A  | A  | A  | A  | A  | A | A | A | A | A | A | A | A | A | A |
| Reset 0x00000000 | 0  | 0     | 0        | 0     | 0  | 0  | 0  | 0  | 0  | 0  | 0  | 0  | 0  | 0  | 0  | 0  | 0  | 0  | 0  | 0  | 0  | 0  | 0 | 0 | 0 | 0 | 0 | 0 | 0 | 0 | 0 | 0 |
| Id               | RW | Field | Value Id | Value | Description  |    |    |    |    |    |    |    |    |    |    |    |    |    |    |    |    |    |   |   |   |   |   |   |   |   |   |   |
| A                | RW | EEP   |          |       | Pointer to event register. Accepts only addresses to registers from the Event group. |    |    |    |    |    |    |    |    |    |    |    |    |    |    |    |    |    |   |   |   |   |   |   |   |   |   |   |

### 22.2.23 CH[9].TEP

Address offset: 0x55C

Channel 9 task end-point

| Bit number       | 31 | 30    | 29       | 28    | 27   | 26 | 25 | 24 | 23 | 22 | 21 | 20 | 19 | 18 | 17 | 16 | 15 | 14 | 13 | 12 | 11 | 10 | 9 | 8 | 7 | 6 | 5 | 4 | 3 | 2 | 1 | 0 |
|------------------|----|-------|----------|-------|--|----|----|----|----|----|----|----|----|----|----|----|----|----|----|----|----|----|---|---|---|---|---|---|---|---|---|---|
| Id               | A  | A     | A        | A     | A  | A  | A  | A  | A  | A  | A  | A  | A  | A  | A  | A  | A  | A  | A  | A  | A  | A  | A | A | A | A | A | A | A | A | A | A |
| Reset 0x00000000 | 0  | 0     | 0        | 0     | 0  | 0  | 0  | 0  | 0  | 0  | 0  | 0  | 0  | 0  | 0  | 0  | 0  | 0  | 0  | 0  | 0  | 0  | 0 | 0 | 0 | 0 | 0 | 0 | 0 | 0 | 0 | 0 |
| Id               | RW | Field | Value Id | Value | Description  |    |    |    |    |    |    |    |    |    |    |    |    |    |    |    |    |    |   |   |   |   |   |   |   |   |   |   |
| A                | RW | TEP   |          |       | Pointer to task register. Accepts only addresses to registers from the Task group. |    |    |    |    |    |    |    |    |    |    |    |    |    |    |    |    |    |   |   |   |   |   |   |   |   |   |   |

### 22.2.24 CH[10].EEP

Address offset: 0x560

Channel 10 event end-point

| Bit number       | 31 | 30    | 29       | 28    | 27   | 26 | 25 | 24 | 23 | 22 | 21 | 20 | 19 | 18 | 17 | 16 | 15 | 14 | 13 | 12 | 11 | 10 | 9 | 8 | 7 | 6 | 5 | 4 | 3 | 2 | 1 | 0 |
|------------------|----|-------|----------|-------|--|----|----|----|----|----|----|----|----|----|----|----|----|----|----|----|----|----|---|---|---|---|---|---|---|---|---|---|
| Id               | A  | A     | A        | A     | A  | A  | A  | A  | A  | A  | A  | A  | A  | A  | A  | A  | A  | A  | A  | A  | A  | A  | A | A | A | A | A | A | A | A | A | A |
| Reset 0x00000000 | 0  | 0     | 0        | 0     | 0  | 0  | 0  | 0  | 0  | 0  | 0  | 0  | 0  | 0  | 0  | 0  | 0  | 0  | 0  | 0  | 0  | 0  | 0 | 0 | 0 | 0 | 0 | 0 | 0 | 0 | 0 | 0 |
| Id               | RW | Field | Value Id | Value | Description  |    |    |    |    |    |    |    |    |    |    |    |    |    |    |    |    |    |   |   |   |   |   |   |   |   |   |   |
| A                | RW | EEP   |          |       | Pointer to event register. Accepts only addresses to registers from the Event group. |    |    |    |    |    |    |    |    |    |    |    |    |    |    |    |    |    |   |   |   |   |   |   |   |   |   |   |

### 22.2.25 CH[10].TEP

Address offset: 0x564

Channel 10 task end-point

| Bit number       | 31 | 30    | 29       | 28    | 27   | 26 | 25 | 24 | 23 | 22 | 21 | 20 | 19 | 18 | 17 | 16 | 15 | 14 | 13 | 12 | 11 | 10 | 9 | 8 | 7 | 6 | 5 | 4 | 3 | 2 | 1 | 0 |
|------------------|----|-------|----------|-------|--|----|----|----|----|----|----|----|----|----|----|----|----|----|----|----|----|----|---|---|---|---|---|---|---|---|---|---|
| Id               | A  | A     | A        | A     | A  | A  | A  | A  | A  | A  | A  | A  | A  | A  | A  | A  | A  | A  | A  | A  | A  | A  | A | A | A | A | A | A | A | A | A | A |
| Reset 0x00000000 | 0  | 0     | 0        | 0     | 0  | 0  | 0  | 0  | 0  | 0  | 0  | 0  | 0  | 0  | 0  | 0  | 0  | 0  | 0  | 0  | 0  | 0  | 0 | 0 | 0 | 0 | 0 | 0 | 0 | 0 | 0 | 0 |
| Id               | RW | Field | Value Id | Value | Description  |    |    |    |    |    |    |    |    |    |    |    |    |    |    |    |    |    |   |   |   |   |   |   |   |   |   |   |
| A                | RW | TEP   |          |       | Pointer to task register. Accepts only addresses to registers from the Task group. |    |    |    |    |    |    |    |    |    |    |    |    |    |    |    |    |    |   |   |   |   |   |   |   |   |   |   |

### 22.2.26 CH[11].EEP

Address offset: 0x568

Channel 11 event end-point

| Bit number       | 31 | 30    | 29       | 28    | 27   | 26 | 25 | 24 | 23 | 22 | 21 | 20 | 19 | 18 | 17 | 16 | 15 | 14 | 13 | 12 | 11 | 10 | 9 | 8 | 7 | 6 | 5 | 4 | 3 | 2 | 1 | 0 |   |
|------------------|----|-------|----------|-------|--|----|----|----|----|----|----|----|----|----|----|----|----|----|----|----|----|----|---|---|---|---|---|---|---|---|---|---|---|
| Id               | A  | A     | A        | A     | A  | A  | A  | A  | A  | A  | A  | A  | A  | A  | A  | A  | A  | A  | A  | A  | A  | A  | A | A | A | A | A | A | A | A | A | A | A |
| Reset 0x00000000 | 0  | 0     | 0        | 0     | 0  | 0  | 0  | 0  | 0  | 0  | 0  | 0  | 0  | 0  | 0  | 0  | 0  | 0  | 0  | 0  | 0  | 0  | 0 | 0 | 0 | 0 | 0 | 0 | 0 | 0 | 0 | 0 |   |
| Id               | RW | Field | Value Id | Value | Description  |    |    |    |    |    |    |    |    |    |    |    |    |    |    |    |    |    |   |   |   |   |   |   |   |   |   |   |   |
| A                | RW | EEP   |          |       | Pointer to event register. Accepts only addresses to registers from the Event group. |    |    |    |    |    |    |    |    |    |    |    |    |    |    |    |    |    |   |   |   |   |   |   |   |   |   |   |   |

### 22.2.27 CH[11].TEP

Address offset: 0x56C

Channel 11 task end-point

| Bit number       | 31 | 30    | 29       | 28    | 27   | 26 | 25 | 24 | 23 | 22 | 21 | 20 | 19 | 18 | 17 | 16 | 15 | 14 | 13 | 12 | 11 | 10 | 9 | 8 | 7 | 6 | 5 | 4 | 3 | 2 | 1 | 0 |
|------------------|----|-------|----------|-------|--|----|----|----|----|----|----|----|----|----|----|----|----|----|----|----|----|----|---|---|---|---|---|---|---|---|---|---|
| Id               | A  | A     | A        | A     | A  | A  | A  | A  | A  | A  | A  | A  | A  | A  | A  | A  | A  | A  | A  | A  | A  | A  | A | A | A | A | A | A | A | A | A | A |
| Reset 0x00000000 | 0  | 0     | 0        | 0     | 0  | 0  | 0  | 0  | 0  | 0  | 0  | 0  | 0  | 0  | 0  | 0  | 0  | 0  | 0  | 0  | 0  | 0  | 0 | 0 | 0 | 0 | 0 | 0 | 0 | 0 | 0 | 0 |
| Id               | RW | Field | Value Id | Value | Description  |    |    |    |    |    |    |    |    |    |    |    |    |    |    |    |    |    |   |   |   |   |   |   |   |   |   |   |
| A                | RW | TEP   |          |       | Pointer to task register. Accepts only addresses to registers from the Task group. |    |    |    |    |    |    |    |    |    |    |    |    |    |    |    |    |    |   |   |   |   |   |   |   |   |   |   |

### 22.2.28 CH[12].EEP

Address offset: 0x570

Channel 12 event end-point

| Bit number       | 31 | 30    | 29       | 28    | 27   | 26 | 25 | 24 | 23 | 22 | 21 | 20 | 19 | 18 | 17 | 16 | 15 | 14 | 13 | 12 | 11 | 10 | 9 | 8 | 7 | 6 | 5 | 4 | 3 | 2 | 1 | 0 |
|------------------|----|-------|----------|-------|--|----|----|----|----|----|----|----|----|----|----|----|----|----|----|----|----|----|---|---|---|---|---|---|---|---|---|---|
| Id               | A  | A     | A        | A     | A  | A  | A  | A  | A  | A  | A  | A  | A  | A  | A  | A  | A  | A  | A  | A  | A  | A  | A | A | A | A | A | A | A | A | A | A |
| Reset 0x00000000 | 0  | 0     | 0        | 0     | 0  | 0  | 0  | 0  | 0  | 0  | 0  | 0  | 0  | 0  | 0  | 0  | 0  | 0  | 0  | 0  | 0  | 0  | 0 | 0 | 0 | 0 | 0 | 0 | 0 | 0 | 0 | 0 |
| Id               | RW | Field | Value Id | Value | Description  |    |    |    |    |    |    |    |    |    |    |    |    |    |    |    |    |    |   |   |   |   |   |   |   |   |   |   |
| A                | RW | EEP   |          |       | Pointer to event register. Accepts only addresses to registers from the Event group. |    |    |    |    |    |    |    |    |    |    |    |    |    |    |    |    |    |   |   |   |   |   |   |   |   |   |   |

### 22.2.29 CH[12].TEP

Address offset: 0x574

Channel 12 task end-point

| Bit number       | 31 | 30    | 29       | 28    | 27   | 26 | 25 | 24 | 23 | 22 | 21 | 20 | 19 | 18 | 17 | 16 | 15 | 14 | 13 | 12 | 11 | 10 | 9 | 8 | 7 | 6 | 5 | 4 | 3 | 2 | 1 | 0 |
|------------------|----|-------|----------|-------|--|----|----|----|----|----|----|----|----|----|----|----|----|----|----|----|----|----|---|---|---|---|---|---|---|---|---|---|
| Id               | A  | A     | A        | A     | A  | A  | A  | A  | A  | A  | A  | A  | A  | A  | A  | A  | A  | A  | A  | A  | A  | A  | A | A | A | A | A | A | A | A | A | A |
| Reset 0x00000000 | 0  | 0     | 0        | 0     | 0  | 0  | 0  | 0  | 0  | 0  | 0  | 0  | 0  | 0  | 0  | 0  | 0  | 0  | 0  | 0  | 0  | 0  | 0 | 0 | 0 | 0 | 0 | 0 | 0 | 0 | 0 | 0 |
| Id               | RW | Field | Value Id | Value | Description  |    |    |    |    |    |    |    |    |    |    |    |    |    |    |    |    |    |   |   |   |   |   |   |   |   |   |   |
| A                | RW | TEP   |          |       | Pointer to task register. Accepts only addresses to registers from the Task group. |    |    |    |    |    |    |    |    |    |    |    |    |    |    |    |    |    |   |   |   |   |   |   |   |   |   |   |

### 22.2.30 CH[13].EEP

Address offset: 0x578

Channel 13 event end-point

| Bit number       | 31 | 30    | 29       | 28    | 27   | 26 | 25 | 24 | 23 | 22 | 21 | 20 | 19 | 18 | 17 | 16 | 15 | 14 | 13 | 12 | 11 | 10 | 9 | 8 | 7 | 6 | 5 | 4 | 3 | 2 | 1 | 0 |
|------------------|----|-------|----------|-------|--|----|----|----|----|----|----|----|----|----|----|----|----|----|----|----|----|----|---|---|---|---|---|---|---|---|---|---|
| Id               | A  | A     | A        | A     | A  | A  | A  | A  | A  | A  | A  | A  | A  | A  | A  | A  | A  | A  | A  | A  | A  | A  | A | A | A | A | A | A | A | A | A | A |
| Reset 0x00000000 | 0  | 0     | 0        | 0     | 0  | 0  | 0  | 0  | 0  | 0  | 0  | 0  | 0  | 0  | 0  | 0  | 0  | 0  | 0  | 0  | 0  | 0  | 0 | 0 | 0 | 0 | 0 | 0 | 0 | 0 | 0 | 0 |
| Id               | RW | Field | Value Id | Value | Description  |    |    |    |    |    |    |    |    |    |    |    |    |    |    |    |    |    |   |   |   |   |   |   |   |   |   |   |
| A                | RW | EEP   |          |       | Pointer to event register. Accepts only addresses to registers from the Event group. |    |    |    |    |    |    |    |    |    |    |    |    |    |    |    |    |    |   |   |   |   |   |   |   |   |   |   |

### 22.2.31 CH[13].TEP

Address offset: 0x57C

Channel 13 task end-point

| Bit number       | 31 | 30    | 29       | 28    | 27   | 26 | 25 | 24 | 23 | 22 | 21 | 20 | 19 | 18 | 17 | 16 | 15 | 14 | 13 | 12 | 11 | 10 | 9 | 8 | 7 | 6 | 5 | 4 | 3 | 2 | 1 | 0 |   |
|------------------|----|-------|----------|-------|--|----|----|----|----|----|----|----|----|----|----|----|----|----|----|----|----|----|---|---|---|---|---|---|---|---|---|---|---|
| Id               | A  | A     | A        | A     | A  | A  | A  | A  | A  | A  | A  | A  | A  | A  | A  | A  | A  | A  | A  | A  | A  | A  | A | A | A | A | A | A | A | A | A | A | A |
| Reset 0x00000000 | 0  | 0     | 0        | 0     | 0  | 0  | 0  | 0  | 0  | 0  | 0  | 0  | 0  | 0  | 0  | 0  | 0  | 0  | 0  | 0  | 0  | 0  | 0 | 0 | 0 | 0 | 0 | 0 | 0 | 0 | 0 | 0 |   |
| Id               | RW | Field | Value Id | Value | Description  |    |    |    |    |    |    |    |    |    |    |    |    |    |    |    |    |    |   |   |   |   |   |   |   |   |   |   |   |
| A                | RW | TEP   |          |       | Pointer to task register. Accepts only addresses to registers from the Task group. |    |    |    |    |    |    |    |    |    |    |    |    |    |    |    |    |    |   |   |   |   |   |   |   |   |   |   |   |

### 22.2.32 CH[14].EEP

Address offset: 0x580

Channel 14 event end-point

| Bit number       | 31 | 30    | 29       | 28    | 27   | 26 | 25 | 24 | 23 | 22 | 21 | 20 | 19 | 18 | 17 | 16 | 15 | 14 | 13 | 12 | 11 | 10 | 9 | 8 | 7 | 6 | 5 | 4 | 3 | 2 | 1 | 0 |
|------------------|----|-------|----------|-------|--|----|----|----|----|----|----|----|----|----|----|----|----|----|----|----|----|----|---|---|---|---|---|---|---|---|---|---|
| Id               | A  | A     | A        | A     | A  | A  | A  | A  | A  | A  | A  | A  | A  | A  | A  | A  | A  | A  | A  | A  | A  | A  | A | A | A | A | A | A | A | A | A | A |
| Reset 0x00000000 | 0  | 0     | 0        | 0     | 0  | 0  | 0  | 0  | 0  | 0  | 0  | 0  | 0  | 0  | 0  | 0  | 0  | 0  | 0  | 0  | 0  | 0  | 0 | 0 | 0 | 0 | 0 | 0 | 0 | 0 | 0 | 0 |
| Id               | RW | Field | Value Id | Value | Description  |    |    |    |    |    |    |    |    |    |    |    |    |    |    |    |    |    |   |   |   |   |   |   |   |   |   |   |
| A                | RW | EEP   |          |       | Pointer to event register. Accepts only addresses to registers from the Event group. |    |    |    |    |    |    |    |    |    |    |    |    |    |    |    |    |    |   |   |   |   |   |   |   |   |   |   |

### 22.2.33 CH[14].TEP

Address offset: 0x584

Channel 14 task end-point

| Bit number       | 31 | 30    | 29       | 28    | 27   | 26 | 25 | 24 | 23 | 22 | 21 | 20 | 19 | 18 | 17 | 16 | 15 | 14 | 13 | 12 | 11 | 10 | 9 | 8 | 7 | 6 | 5 | 4 | 3 | 2 | 1 | 0 |
|------------------|----|-------|----------|-------|--|----|----|----|----|----|----|----|----|----|----|----|----|----|----|----|----|----|---|---|---|---|---|---|---|---|---|---|
| Id               | A  | A     | A        | A     | A  | A  | A  | A  | A  | A  | A  | A  | A  | A  | A  | A  | A  | A  | A  | A  | A  | A  | A | A | A | A | A | A | A | A | A | A |
| Reset 0x00000000 | 0  | 0     | 0        | 0     | 0  | 0  | 0  | 0  | 0  | 0  | 0  | 0  | 0  | 0  | 0  | 0  | 0  | 0  | 0  | 0  | 0  | 0  | 0 | 0 | 0 | 0 | 0 | 0 | 0 | 0 | 0 | 0 |
| Id               | RW | Field | Value Id | Value | Description  |    |    |    |    |    |    |    |    |    |    |    |    |    |    |    |    |    |   |   |   |   |   |   |   |   |   |   |
| A                | RW | TEP   |          |       | Pointer to task register. Accepts only addresses to registers from the Task group. |    |    |    |    |    |    |    |    |    |    |    |    |    |    |    |    |    |   |   |   |   |   |   |   |   |   |   |

### 22.2.34 CH[15].EEP

Address offset: 0x588

Channel 15 event end-point

| Bit number       | 31 | 30    | 29       | 28    | 27   | 26 | 25 | 24 | 23 | 22 | 21 | 20 | 19 | 18 | 17 | 16 | 15 | 14 | 13 | 12 | 11 | 10 | 9 | 8 | 7 | 6 | 5 | 4 | 3 | 2 | 1 | 0 |
|------------------|----|-------|----------|-------|--|----|----|----|----|----|----|----|----|----|----|----|----|----|----|----|----|----|---|---|---|---|---|---|---|---|---|---|
| Id               | A  | A     | A        | A     | A  | A  | A  | A  | A  | A  | A  | A  | A  | A  | A  | A  | A  | A  | A  | A  | A  | A  | A | A | A | A | A | A | A | A | A | A |
| Reset 0x00000000 | 0  | 0     | 0        | 0     | 0  | 0  | 0  | 0  | 0  | 0  | 0  | 0  | 0  | 0  | 0  | 0  | 0  | 0  | 0  | 0  | 0  | 0  | 0 | 0 | 0 | 0 | 0 | 0 | 0 | 0 | 0 | 0 |
| Id               | RW | Field | Value Id | Value | Description  |    |    |    |    |    |    |    |    |    |    |    |    |    |    |    |    |    |   |   |   |   |   |   |   |   |   |   |
| A                | RW | EEP   |          |       | Pointer to event register. Accepts only addresses to registers from the Event group. |    |    |    |    |    |    |    |    |    |    |    |    |    |    |    |    |    |   |   |   |   |   |   |   |   |   |   |

### 22.2.35 CH[15].TEP

Address offset: 0x58C

Channel 15 task end-point

| Bit number       | 31 | 30    | 29       | 28    | 27   | 26 | 25 | 24 | 23 | 22 | 21 | 20 | 19 | 18 | 17 | 16 | 15 | 14 | 13 | 12 | 11 | 10 | 9 | 8 | 7 | 6 | 5 | 4 | 3 | 2 | 1 | 0 |
|------------------|----|-------|----------|-------|--|----|----|----|----|----|----|----|----|----|----|----|----|----|----|----|----|----|---|---|---|---|---|---|---|---|---|---|
| Id               | A  | A     | A        | A     | A  | A  | A  | A  | A  | A  | A  | A  | A  | A  | A  | A  | A  | A  | A  | A  | A  | A  | A | A | A | A | A | A | A | A | A | A |
| Reset 0x00000000 | 0  | 0     | 0        | 0     | 0  | 0  | 0  | 0  | 0  | 0  | 0  | 0  | 0  | 0  | 0  | 0  | 0  | 0  | 0  | 0  | 0  | 0  | 0 | 0 | 0 | 0 | 0 | 0 | 0 | 0 | 0 | 0 |
| Id               | RW | Field | Value Id | Value | Description  |    |    |    |    |    |    |    |    |    |    |    |    |    |    |    |    |    |   |   |   |   |   |   |   |   |   |   |
| A                | RW | TEP   |          |       | Pointer to task register. Accepts only addresses to registers from the Task group. |    |    |    |    |    |    |    |    |    |    |    |    |    |    |    |    |    |   |   |   |   |   |   |   |   |   |   |

### 22.2.36 CH[16].EEP

Address offset: 0x590

Channel 16 event end-point



| Bit number       | 31 | 30    | 29       | 28    | 27   | 26 | 25 | 24 | 23 | 22 | 21 | 20 | 19 | 18 | 17 | 16 | 15 | 14 | 13 | 12 | 11 | 10 | 9 | 8 | 7 | 6 | 5 | 4 | 3 | 2 | 1 | 0 |   |
|------------------|----|-------|----------|-------|--|----|----|----|----|----|----|----|----|----|----|----|----|----|----|----|----|----|---|---|---|---|---|---|---|---|---|---|---|
| Id               | A  | A     | A        | A     | A  | A  | A  | A  | A  | A  | A  | A  | A  | A  | A  | A  | A  | A  | A  | A  | A  | A  | A | A | A | A | A | A | A | A | A | A | A |
| Reset 0x00000000 | 0  | 0     | 0        | 0     | 0  | 0  | 0  | 0  | 0  | 0  | 0  | 0  | 0  | 0  | 0  | 0  | 0  | 0  | 0  | 0  | 0  | 0  | 0 | 0 | 0 | 0 | 0 | 0 | 0 | 0 | 0 | 0 |   |
| Id               | RW | Field | Value Id | Value | Description  |    |    |    |    |    |    |    |    |    |    |    |    |    |    |    |    |    |   |   |   |   |   |   |   |   |   |   |   |
| A                | RW | EEP   |          |       | Pointer to event register. Accepts only addresses to registers from the Event group. |    |    |    |    |    |    |    |    |    |    |    |    |    |    |    |    |    |   |   |   |   |   |   |   |   |   |   |   |

### 22.2.37 CH[16].TEP

Address offset: 0x594

Channel 16 task end-point

| Bit number       | 31 | 30    | 29       | 28    | 27   | 26 | 25 | 24 | 23 | 22 | 21 | 20 | 19 | 18 | 17 | 16 | 15 | 14 | 13 | 12 | 11 | 10 | 9 | 8 | 7 | 6 | 5 | 4 | 3 | 2 | 1 | 0 |
|------------------|----|-------|----------|-------|--|----|----|----|----|----|----|----|----|----|----|----|----|----|----|----|----|----|---|---|---|---|---|---|---|---|---|---|
| Id               | A  | A     | A        | A     | A  | A  | A  | A  | A  | A  | A  | A  | A  | A  | A  | A  | A  | A  | A  | A  | A  | A  | A | A | A | A | A | A | A | A | A | A |
| Reset 0x00000000 | 0  | 0     | 0        | 0     | 0  | 0  | 0  | 0  | 0  | 0  | 0  | 0  | 0  | 0  | 0  | 0  | 0  | 0  | 0  | 0  | 0  | 0  | 0 | 0 | 0 | 0 | 0 | 0 | 0 | 0 | 0 | 0 |
| Id               | RW | Field | Value Id | Value | Description  |    |    |    |    |    |    |    |    |    |    |    |    |    |    |    |    |    |   |   |   |   |   |   |   |   |   |   |
| A                | RW | TEP   |          |       | Pointer to task register. Accepts only addresses to registers from the Task group. |    |    |    |    |    |    |    |    |    |    |    |    |    |    |    |    |    |   |   |   |   |   |   |   |   |   |   |

### 22.2.38 CH[17].EEP

Address offset: 0x598

Channel 17 event end-point

| Bit number       | 31 | 30    | 29       | 28    | 27   | 26 | 25 | 24 | 23 | 22 | 21 | 20 | 19 | 18 | 17 | 16 | 15 | 14 | 13 | 12 | 11 | 10 | 9 | 8 | 7 | 6 | 5 | 4 | 3 | 2 | 1 | 0 |
|------------------|----|-------|----------|-------|--|----|----|----|----|----|----|----|----|----|----|----|----|----|----|----|----|----|---|---|---|---|---|---|---|---|---|---|
| Id               | A  | A     | A        | A     | A  | A  | A  | A  | A  | A  | A  | A  | A  | A  | A  | A  | A  | A  | A  | A  | A  | A  | A | A | A | A | A | A | A | A | A | A |
| Reset 0x00000000 | 0  | 0     | 0        | 0     | 0  | 0  | 0  | 0  | 0  | 0  | 0  | 0  | 0  | 0  | 0  | 0  | 0  | 0  | 0  | 0  | 0  | 0  | 0 | 0 | 0 | 0 | 0 | 0 | 0 | 0 | 0 | 0 |
| Id               | RW | Field | Value Id | Value | Description  |    |    |    |    |    |    |    |    |    |    |    |    |    |    |    |    |    |   |   |   |   |   |   |   |   |   |   |
| A                | RW | EEP   |          |       | Pointer to event register. Accepts only addresses to registers from the Event group. |    |    |    |    |    |    |    |    |    |    |    |    |    |    |    |    |    |   |   |   |   |   |   |   |   |   |   |

### 22.2.39 CH[17].TEP

Address offset: 0x59C

Channel 17 task end-point

| Bit number       | 31 | 30    | 29       | 28    | 27   | 26 | 25 | 24 | 23 | 22 | 21 | 20 | 19 | 18 | 17 | 16 | 15 | 14 | 13 | 12 | 11 | 10 | 9 | 8 | 7 | 6 | 5 | 4 | 3 | 2 | 1 | 0 |
|------------------|----|-------|----------|-------|--|----|----|----|----|----|----|----|----|----|----|----|----|----|----|----|----|----|---|---|---|---|---|---|---|---|---|---|
| Id               | A  | A     | A        | A     | A  | A  | A  | A  | A  | A  | A  | A  | A  | A  | A  | A  | A  | A  | A  | A  | A  | A  | A | A | A | A | A | A | A | A | A | A |
| Reset 0x00000000 | 0  | 0     | 0        | 0     | 0  | 0  | 0  | 0  | 0  | 0  | 0  | 0  | 0  | 0  | 0  | 0  | 0  | 0  | 0  | 0  | 0  | 0  | 0 | 0 | 0 | 0 | 0 | 0 | 0 | 0 | 0 | 0 |
| Id               | RW | Field | Value Id | Value | Description  |    |    |    |    |    |    |    |    |    |    |    |    |    |    |    |    |    |   |   |   |   |   |   |   |   |   |   |
| A                | RW | TEP   |          |       | Pointer to task register. Accepts only addresses to registers from the Task group. |    |    |    |    |    |    |    |    |    |    |    |    |    |    |    |    |    |   |   |   |   |   |   |   |   |   |   |

### 22.2.40 CH[18].EEP

Address offset: 0x5A0

Channel 18 event end-point

| Bit number       | 31 | 30    | 29       | 28    | 27   | 26 | 25 | 24 | 23 | 22 | 21 | 20 | 19 | 18 | 17 | 16 | 15 | 14 | 13 | 12 | 11 | 10 | 9 | 8 | 7 | 6 | 5 | 4 | 3 | 2 | 1 | 0 |
|------------------|----|-------|----------|-------|--|----|----|----|----|----|----|----|----|----|----|----|----|----|----|----|----|----|---|---|---|---|---|---|---|---|---|---|
| Id               | A  | A     | A        | A     | A  | A  | A  | A  | A  | A  | A  | A  | A  | A  | A  | A  | A  | A  | A  | A  | A  | A  | A | A | A | A | A | A | A | A | A | A |
| Reset 0x00000000 | 0  | 0     | 0        | 0     | 0  | 0  | 0  | 0  | 0  | 0  | 0  | 0  | 0  | 0  | 0  | 0  | 0  | 0  | 0  | 0  | 0  | 0  | 0 | 0 | 0 | 0 | 0 | 0 | 0 | 0 | 0 | 0 |
| Id               | RW | Field | Value Id | Value | Description  |    |    |    |    |    |    |    |    |    |    |    |    |    |    |    |    |    |   |   |   |   |   |   |   |   |   |   |
| A                | RW | EEP   |          |       | Pointer to event register. Accepts only addresses to registers from the Event group. |    |    |    |    |    |    |    |    |    |    |    |    |    |    |    |    |    |   |   |   |   |   |   |   |   |   |   |

### 22.2.41 CH[18].TEP

Address offset: 0x5A4

Channel 18 task end-point

| Bit number       | 31 | 30    | 29       | 28    | 27   | 26 | 25 | 24 | 23 | 22 | 21 | 20 | 19 | 18 | 17 | 16 | 15 | 14 | 13 | 12 | 11 | 10 | 9 | 8 | 7 | 6 | 5 | 4 | 3 | 2 | 1 | 0 |   |
|------------------|----|-------|----------|-------|--|----|----|----|----|----|----|----|----|----|----|----|----|----|----|----|----|----|---|---|---|---|---|---|---|---|---|---|---|
| Id               | A  | A     | A        | A     | A  | A  | A  | A  | A  | A  | A  | A  | A  | A  | A  | A  | A  | A  | A  | A  | A  | A  | A | A | A | A | A | A | A | A | A | A | A |
| Reset 0x00000000 | 0  | 0     | 0        | 0     | 0  | 0  | 0  | 0  | 0  | 0  | 0  | 0  | 0  | 0  | 0  | 0  | 0  | 0  | 0  | 0  | 0  | 0  | 0 | 0 | 0 | 0 | 0 | 0 | 0 | 0 | 0 | 0 |   |
| Id               | RW | Field | Value Id | Value | Description  |    |    |    |    |    |    |    |    |    |    |    |    |    |    |    |    |    |   |   |   |   |   |   |   |   |   |   |   |
| A                | RW | TEP   |          |       | Pointer to task register. Accepts only addresses to registers from the Task group. |    |    |    |    |    |    |    |    |    |    |    |    |    |    |    |    |    |   |   |   |   |   |   |   |   |   |   |   |

### 22.2.42 CH[19].EEP

Address offset: 0x5A8

Channel 19 event end-point

| Bit number       | 31 | 30    | 29       | 28    | 27   | 26 | 25 | 24 | 23 | 22 | 21 | 20 | 19 | 18 | 17 | 16 | 15 | 14 | 13 | 12 | 11 | 10 | 9 | 8 | 7 | 6 | 5 | 4 | 3 | 2 | 1 | 0 |
|------------------|----|-------|----------|-------|--|----|----|----|----|----|----|----|----|----|----|----|----|----|----|----|----|----|---|---|---|---|---|---|---|---|---|---|
| Id               | A  | A     | A        | A     | A  | A  | A  | A  | A  | A  | A  | A  | A  | A  | A  | A  | A  | A  | A  | A  | A  | A  | A | A | A | A | A | A | A | A | A | A |
| Reset 0x00000000 | 0  | 0     | 0        | 0     | 0  | 0  | 0  | 0  | 0  | 0  | 0  | 0  | 0  | 0  | 0  | 0  | 0  | 0  | 0  | 0  | 0  | 0  | 0 | 0 | 0 | 0 | 0 | 0 | 0 | 0 | 0 | 0 |
| Id               | RW | Field | Value Id | Value | Description  |    |    |    |    |    |    |    |    |    |    |    |    |    |    |    |    |    |   |   |   |   |   |   |   |   |   |   |
| A                | RW | EEP   |          |       | Pointer to event register. Accepts only addresses to registers from the Event group. |    |    |    |    |    |    |    |    |    |    |    |    |    |    |    |    |    |   |   |   |   |   |   |   |   |   |   |

### 22.2.43 CH[19].TEP

Address offset: 0x5AC

Channel 19 task end-point

| Bit number       | 31 | 30    | 29       | 28    | 27   | 26 | 25 | 24 | 23 | 22 | 21 | 20 | 19 | 18 | 17 | 16 | 15 | 14 | 13 | 12 | 11 | 10 | 9 | 8 | 7 | 6 | 5 | 4 | 3 | 2 | 1 | 0 |
|------------------|----|-------|----------|-------|--|----|----|----|----|----|----|----|----|----|----|----|----|----|----|----|----|----|---|---|---|---|---|---|---|---|---|---|
| Id               | A  | A     | A        | A     | A  | A  | A  | A  | A  | A  | A  | A  | A  | A  | A  | A  | A  | A  | A  | A  | A  | A  | A | A | A | A | A | A | A | A | A | A |
| Reset 0x00000000 | 0  | 0     | 0        | 0     | 0  | 0  | 0  | 0  | 0  | 0  | 0  | 0  | 0  | 0  | 0  | 0  | 0  | 0  | 0  | 0  | 0  | 0  | 0 | 0 | 0 | 0 | 0 | 0 | 0 | 0 | 0 | 0 |
| Id               | RW | Field | Value Id | Value | Description  |    |    |    |    |    |    |    |    |    |    |    |    |    |    |    |    |    |   |   |   |   |   |   |   |   |   |   |
| A                | RW | TEP   |          |       | Pointer to task register. Accepts only addresses to registers from the Task group. |    |    |    |    |    |    |    |    |    |    |    |    |    |    |    |    |    |   |   |   |   |   |   |   |   |   |   |

### 22.2.44 CHG[0]

Address offset: 0x800

Channel group 0

| Bit number       | 31 | 30    | 29       | 28    | 27                           | 26 | 25 | 24 | 23 | 22 | 21 | 20 | 19 | 18 | 17 | 16 | 15 | 14 | 13 | 12 | 11 | 10 | 9 | 8 | 7 | 6 | 5 | 4 | 3 | 2 | 1 | 0 |
|------------------|----|-------|----------|-------|------------------------------|----|----|----|----|----|----|----|----|----|----|----|----|----|----|----|----|----|---|---|---|---|---|---|---|---|---|---|
| Id               | f  | e     | d        | c     | b                            | a  | Z  | Y  | X  | W  | V  | U  | T  | S  | R  | Q  | P  | O  | N  | M  | L  | K  | J | I | H | G | F | E | D | C | B | A |
| Reset 0x00000000 | 0  | 0     | 0        | 0     | 0                            | 0  | 0  | 0  | 0  | 0  | 0  | 0  | 0  | 0  | 0  | 0  | 0  | 0  | 0  | 0  | 0  | 0  | 0 | 0 | 0 | 0 | 0 | 0 | 0 | 0 | 0 | 0 |
| Id               | RW | Field | Value Id | Value | Description                  |    |    |    |    |    |    |    |    |    |    |    |    |    |    |    |    |    |   |   |   |   |   |   |   |   |   |   |
| A                | RW | CH0   | Excluded | 0     | Exclude                      |    |    |    |    |    |    |    |    |    |    |    |    |    |    |    |    |    |   |   |   |   |   |   |   |   |   |   |
|                  |    |       | Included | 1     | Include                      |    |    |    |    |    |    |    |    |    |    |    |    |    |    |    |    |    |   |   |   |   |   |   |   |   |   |   |
| B                | RW | CH1   | Excluded | 0     | Exclude                      |    |    |    |    |    |    |    |    |    |    |    |    |    |    |    |    |    |   |   |   |   |   |   |   |   |   |   |
|                  |    |       | Included | 1     | Include                      |    |    |    |    |    |    |    |    |    |    |    |    |    |    |    |    |    |   |   |   |   |   |   |   |   |   |   |
| C                | RW | CH2   | Excluded | 0     | Exclude                      |    |    |    |    |    |    |    |    |    |    |    |    |    |    |    |    |    |   |   |   |   |   |   |   |   |   |   |
|                  |    |       | Included | 1     | Include                      |    |    |    |    |    |    |    |    |    |    |    |    |    |    |    |    |    |   |   |   |   |   |   |   |   |   |   |
| D                | RW | CH3   | Excluded | 0     | Exclude                      |    |    |    |    |    |    |    |    |    |    |    |    |    |    |    |    |    |   |   |   |   |   |   |   |   |   |   |
|                  |    |       | Included | 1     | Include                      |    |    |    |    |    |    |    |    |    |    |    |    |    |    |    |    |    |   |   |   |   |   |   |   |   |   |   |
| E                | RW | CH4   | Excluded | 0     | Exclude                      |    |    |    |    |    |    |    |    |    |    |    |    |    |    |    |    |    |   |   |   |   |   |   |   |   |   |   |
|                  |    |       | Included | 1     | Include                      |    |    |    |    |    |    |    |    |    |    |    |    |    |    |    |    |    |   |   |   |   |   |   |   |   |   |   |
| F                | RW | CH5   | Excluded | 0     | Exclude                      |    |    |    |    |    |    |    |    |    |    |    |    |    |    |    |    |    |   |   |   |   |   |   |   |   |   |   |
|                  |    |       | Included | 1     | Include                      |    |    |    |    |    |    |    |    |    |    |    |    |    |    |    |    |    |   |   |   |   |   |   |   |   |   |   |
| G                | RW | CH6   |          |       | Include or exclude channel 6 |    |    |    |    |    |    |    |    |    |    |    |    |    |    |    |    |    |   |   |   |   |   |   |   |   |   |   |

|                  |    |    |    |    |    |    |    |    |    |    |    |    |    |    |    |    |    |    |    |    |    |    |   |   |   |   |   |   |   |   |   |   |
|------------------|----|----|----|----|----|----|----|----|----|----|----|----|----|----|----|----|----|----|----|----|----|----|---|---|---|---|---|---|---|---|---|---|
| Bit number       | 31 | 30 | 29 | 28 | 27 | 26 | 25 | 24 | 23 | 22 | 21 | 20 | 19 | 18 | 17 | 16 | 15 | 14 | 13 | 12 | 11 | 10 | 9 | 8 | 7 | 6 | 5 | 4 | 3 | 2 | 1 | 0 |
| Id               | f  | e  | d  | c  | b  | a  | Z  | Y  | X  | W  | V  | U  | T  | S  | R  | Q  | P  | O  | N  | M  | L  | K  | J | I | H | G | F | E | D | C | B | A |
| Reset 0x00000000 | 0  | 0  | 0  | 0  | 0  | 0  | 0  | 0  | 0  | 0  | 0  | 0  | 0  | 0  | 0  | 0  | 0  | 0  | 0  | 0  | 0  | 0  | 0 | 0 | 0 | 0 | 0 | 0 | 0 | 0 | 0 | 0 |

| Id | RW | Field | Value Id | Value | Description                   |
|----|----|-------|----------|-------|-------------------------------|
|    |    |       | Excluded | 0     | Exclude                       |
|    |    |       | Included | 1     | Include                       |
| H  | RW | CH7   |          |       | Include or exclude channel 7  |
|    |    |       | Excluded | 0     | Exclude                       |
|    |    |       | Included | 1     | Include                       |
| I  | RW | CH8   |          |       | Include or exclude channel 8  |
|    |    |       | Excluded | 0     | Exclude                       |
|    |    |       | Included | 1     | Include                       |
| J  | RW | CH9   |          |       | Include or exclude channel 9  |
|    |    |       | Excluded | 0     | Exclude                       |
|    |    |       | Included | 1     | Include                       |
| K  | RW | CH10  |          |       | Include or exclude channel 10 |
|    |    |       | Excluded | 0     | Exclude                       |
|    |    |       | Included | 1     | Include                       |
| L  | RW | CH11  |          |       | Include or exclude channel 11 |
|    |    |       | Excluded | 0     | Exclude                       |
|    |    |       | Included | 1     | Include                       |
| M  | RW | CH12  |          |       | Include or exclude channel 12 |
|    |    |       | Excluded | 0     | Exclude                       |
|    |    |       | Included | 1     | Include                       |
| N  | RW | CH13  |          |       | Include or exclude channel 13 |
|    |    |       | Excluded | 0     | Exclude                       |
|    |    |       | Included | 1     | Include                       |
| O  | RW | CH14  |          |       | Include or exclude channel 14 |
|    |    |       | Excluded | 0     | Exclude                       |
|    |    |       | Included | 1     | Include                       |
| P  | RW | CH15  |          |       | Include or exclude channel 15 |
|    |    |       | Excluded | 0     | Exclude                       |
|    |    |       | Included | 1     | Include                       |
| Q  | RW | CH16  |          |       | Include or exclude channel 16 |
|    |    |       | Excluded | 0     | Exclude                       |
|    |    |       | Included | 1     | Include                       |
| R  | RW | CH17  |          |       | Include or exclude channel 17 |
|    |    |       | Excluded | 0     | Exclude                       |
|    |    |       | Included | 1     | Include                       |
| S  | RW | CH18  |          |       | Include or exclude channel 18 |
|    |    |       | Excluded | 0     | Exclude                       |
|    |    |       | Included | 1     | Include                       |
| T  | RW | CH19  |          |       | Include or exclude channel 19 |
|    |    |       | Excluded | 0     | Exclude                       |
|    |    |       | Included | 1     | Include                       |
| U  | RW | CH20  |          |       | Include or exclude channel 20 |
|    |    |       | Excluded | 0     | Exclude                       |
|    |    |       | Included | 1     | Include                       |
| V  | RW | CH21  |          |       | Include or exclude channel 21 |
|    |    |       | Excluded | 0     | Exclude                       |
|    |    |       | Included | 1     | Include                       |
| W  | RW | CH22  |          |       | Include or exclude channel 22 |
|    |    |       | Excluded | 0     | Exclude                       |
|    |    |       | Included | 1     | Include                       |
| X  | RW | CH23  |          |       | Include or exclude channel 23 |
|    |    |       | Excluded | 0     | Exclude                       |
|    |    |       | Included | 1     | Include                       |
| Y  | RW | CH24  |          |       | Include or exclude channel 24 |
|    |    |       | Excluded | 0     | Exclude                       |

| Bit number       | 31 | 30    | 29       | 28    | 27                            | 26 | 25 | 24 | 23 | 22 | 21 | 20 | 19 | 18 | 17 | 16 | 15 | 14 | 13 | 12 | 11 | 10 | 9 | 8 | 7 | 6 | 5 | 4 | 3 | 2 | 1 | 0 |
|------------------|----|-------|----------|-------|-------------------------------|----|----|----|----|----|----|----|----|----|----|----|----|----|----|----|----|----|---|---|---|---|---|---|---|---|---|---|
| Id               | f  | e     | d        | c     | b                             | a  | Z  | Y  | X  | W  | V  | U  | T  | S  | R  | Q  | P  | O  | N  | M  | L  | K  | J | I | H | G | F | E | D | C | B | A |
| Reset 0x00000000 | 0  | 0     | 0        | 0     | 0                             | 0  | 0  | 0  | 0  | 0  | 0  | 0  | 0  | 0  | 0  | 0  | 0  | 0  | 0  | 0  | 0  | 0  | 0 | 0 | 0 | 0 | 0 | 0 | 0 | 0 | 0 | 0 |
| Id               | RW | Field | Value Id | Value | Description                   |    |    |    |    |    |    |    |    |    |    |    |    |    |    |    |    |    |   |   |   |   |   |   |   |   |   |   |
|                  |    |       | Included | 1     | Include                       |    |    |    |    |    |    |    |    |    |    |    |    |    |    |    |    |    |   |   |   |   |   |   |   |   |   |   |
| Z                | RW | CH25  | Excluded | 0     | Include or exclude channel 25 |    |    |    |    |    |    |    |    |    |    |    |    |    |    |    |    |    |   |   |   |   |   |   |   |   |   |   |
|                  |    |       | Included | 1     | Exclude                       |    |    |    |    |    |    |    |    |    |    |    |    |    |    |    |    |    |   |   |   |   |   |   |   |   |   |   |
| a                | RW | CH26  | Excluded | 0     | Include or exclude channel 26 |    |    |    |    |    |    |    |    |    |    |    |    |    |    |    |    |    |   |   |   |   |   |   |   |   |   |   |
|                  |    |       | Included | 1     | Exclude                       |    |    |    |    |    |    |    |    |    |    |    |    |    |    |    |    |    |   |   |   |   |   |   |   |   |   |   |
| b                | RW | CH27  | Excluded | 0     | Include or exclude channel 27 |    |    |    |    |    |    |    |    |    |    |    |    |    |    |    |    |    |   |   |   |   |   |   |   |   |   |   |
|                  |    |       | Included | 1     | Exclude                       |    |    |    |    |    |    |    |    |    |    |    |    |    |    |    |    |    |   |   |   |   |   |   |   |   |   |   |
| c                | RW | CH28  | Excluded | 0     | Include or exclude channel 28 |    |    |    |    |    |    |    |    |    |    |    |    |    |    |    |    |    |   |   |   |   |   |   |   |   |   |   |
|                  |    |       | Included | 1     | Exclude                       |    |    |    |    |    |    |    |    |    |    |    |    |    |    |    |    |    |   |   |   |   |   |   |   |   |   |   |
| d                | RW | CH29  | Excluded | 0     | Include or exclude channel 29 |    |    |    |    |    |    |    |    |    |    |    |    |    |    |    |    |    |   |   |   |   |   |   |   |   |   |   |
|                  |    |       | Included | 1     | Exclude                       |    |    |    |    |    |    |    |    |    |    |    |    |    |    |    |    |    |   |   |   |   |   |   |   |   |   |   |
| e                | RW | CH30  | Excluded | 0     | Include or exclude channel 30 |    |    |    |    |    |    |    |    |    |    |    |    |    |    |    |    |    |   |   |   |   |   |   |   |   |   |   |
|                  |    |       | Included | 1     | Exclude                       |    |    |    |    |    |    |    |    |    |    |    |    |    |    |    |    |    |   |   |   |   |   |   |   |   |   |   |
| f                | RW | CH31  | Excluded | 0     | Include or exclude channel 31 |    |    |    |    |    |    |    |    |    |    |    |    |    |    |    |    |    |   |   |   |   |   |   |   |   |   |   |
|                  |    |       | Included | 1     | Exclude                       |    |    |    |    |    |    |    |    |    |    |    |    |    |    |    |    |    |   |   |   |   |   |   |   |   |   |   |

### 22.2.45 CHG[1]

Address offset: 0x804

Channel group 1

| Bit number       | 31 | 30    | 29       | 28    | 27                           | 26 | 25 | 24 | 23 | 22 | 21 | 20 | 19 | 18 | 17 | 16 | 15 | 14 | 13 | 12 | 11 | 10 | 9 | 8 | 7 | 6 | 5 | 4 | 3 | 2 | 1 | 0 |
|------------------|----|-------|----------|-------|------------------------------|----|----|----|----|----|----|----|----|----|----|----|----|----|----|----|----|----|---|---|---|---|---|---|---|---|---|---|
| Id               | f  | e     | d        | c     | b                            | a  | Z  | Y  | X  | W  | V  | U  | T  | S  | R  | Q  | P  | O  | N  | M  | L  | K  | J | I | H | G | F | E | D | C | B | A |
| Reset 0x00000000 | 0  | 0     | 0        | 0     | 0                            | 0  | 0  | 0  | 0  | 0  | 0  | 0  | 0  | 0  | 0  | 0  | 0  | 0  | 0  | 0  | 0  | 0  | 0 | 0 | 0 | 0 | 0 | 0 | 0 | 0 | 0 | 0 |
| Id               | RW | Field | Value Id | Value | Description                  |    |    |    |    |    |    |    |    |    |    |    |    |    |    |    |    |    |   |   |   |   |   |   |   |   |   |   |
| A                | RW | CH0   | Excluded | 0     | Include or exclude channel 0 |    |    |    |    |    |    |    |    |    |    |    |    |    |    |    |    |    |   |   |   |   |   |   |   |   |   |   |
|                  |    |       | Included | 1     | Exclude                      |    |    |    |    |    |    |    |    |    |    |    |    |    |    |    |    |    |   |   |   |   |   |   |   |   |   |   |
| B                | RW | CH1   | Excluded | 0     | Include or exclude channel 1 |    |    |    |    |    |    |    |    |    |    |    |    |    |    |    |    |    |   |   |   |   |   |   |   |   |   |   |
|                  |    |       | Included | 1     | Exclude                      |    |    |    |    |    |    |    |    |    |    |    |    |    |    |    |    |    |   |   |   |   |   |   |   |   |   |   |
| C                | RW | CH2   | Excluded | 0     | Include or exclude channel 2 |    |    |    |    |    |    |    |    |    |    |    |    |    |    |    |    |    |   |   |   |   |   |   |   |   |   |   |
|                  |    |       | Included | 1     | Exclude                      |    |    |    |    |    |    |    |    |    |    |    |    |    |    |    |    |    |   |   |   |   |   |   |   |   |   |   |
| D                | RW | CH3   | Excluded | 0     | Include or exclude channel 3 |    |    |    |    |    |    |    |    |    |    |    |    |    |    |    |    |    |   |   |   |   |   |   |   |   |   |   |
|                  |    |       | Included | 1     | Exclude                      |    |    |    |    |    |    |    |    |    |    |    |    |    |    |    |    |    |   |   |   |   |   |   |   |   |   |   |
| E                | RW | CH4   | Excluded | 0     | Include or exclude channel 4 |    |    |    |    |    |    |    |    |    |    |    |    |    |    |    |    |    |   |   |   |   |   |   |   |   |   |   |
|                  |    |       | Included | 1     | Exclude                      |    |    |    |    |    |    |    |    |    |    |    |    |    |    |    |    |    |   |   |   |   |   |   |   |   |   |   |
| F                | RW | CH5   | Excluded | 0     | Include or exclude channel 5 |    |    |    |    |    |    |    |    |    |    |    |    |    |    |    |    |    |   |   |   |   |   |   |   |   |   |   |
|                  |    |       | Included | 1     | Exclude                      |    |    |    |    |    |    |    |    |    |    |    |    |    |    |    |    |    |   |   |   |   |   |   |   |   |   |   |
| G                | RW | CH6   | Excluded | 0     | Include or exclude channel 6 |    |    |    |    |    |    |    |    |    |    |    |    |    |    |    |    |    |   |   |   |   |   |   |   |   |   |   |
|                  |    |       | Included | 1     | Exclude                      |    |    |    |    |    |    |    |    |    |    |    |    |    |    |    |    |    |   |   |   |   |   |   |   |   |   |   |
| H                | RW | CH7   | Excluded | 0     | Include or exclude channel 7 |    |    |    |    |    |    |    |    |    |    |    |    |    |    |    |    |    |   |   |   |   |   |   |   |   |   |   |
|                  |    |       | Included | 1     | Exclude                      |    |    |    |    |    |    |    |    |    |    |    |    |    |    |    |    |    |   |   |   |   |   |   |   |   |   |   |

| Bit number       |   |       |          |       |             |  |  |  |  |  |  |  |  |  |  |  |  |  |  |  |  |  |  |  |  |  |  |  |  |  |  |
|------------------|---|-------|----------|-------|-------------|--|--|--|--|--|--|--|--|--|--|--|--|--|--|--|--|--|--|--|--|--|--|--|--|--|--|
| Id               | f e d c b a Z Y X W V U T S R Q P O N M L K J I H G F E D C B A           |       |          |       |             |  |  |  |  |  |  |  |  |  |  |  |  |  |  |  |  |  |  |  |  |  |  |  |  |  |  |
| Reset 0x00000000 | 0 |       |          |       |             |  |  |  |  |  |  |  |  |  |  |  |  |  |  |  |  |  |  |  |  |  |  |  |  |  |  |
| Id               | RW  | Field | Value Id | Value | Description |  |  |  |  |  |  |  |  |  |  |  |  |  |  |  |  |  |  |  |  |  |  |  |  |  |  |
| I                | RW  | CH8   | Included | 1     | Include     |  |  |  |  |  |  |  |  |  |  |  |  |  |  |  |  |  |  |  |  |  |  |  |  |  |  |
|                  |   |       | Excluded | 0     | Exclude     |  |  |  |  |  |  |  |  |  |  |  |  |  |  |  |  |  |  |  |  |  |  |  |  |  |  |
| J                | RW  | CH9   | Included | 1     | Include     |  |  |  |  |  |  |  |  |  |  |  |  |  |  |  |  |  |  |  |  |  |  |  |  |  |  |
|                  |   |       | Excluded | 0     | Exclude     |  |  |  |  |  |  |  |  |  |  |  |  |  |  |  |  |  |  |  |  |  |  |  |  |  |  |
| K                | RW  | CH10  | Included | 1     | Include     |  |  |  |  |  |  |  |  |  |  |  |  |  |  |  |  |  |  |  |  |  |  |  |  |  |  |
|                  |   |       | Excluded | 0     | Exclude     |  |  |  |  |  |  |  |  |  |  |  |  |  |  |  |  |  |  |  |  |  |  |  |  |  |  |
| L                | RW  | CH11  | Included | 1     | Include     |  |  |  |  |  |  |  |  |  |  |  |  |  |  |  |  |  |  |  |  |  |  |  |  |  |  |
|                  |   |       | Excluded | 0     | Exclude     |  |  |  |  |  |  |  |  |  |  |  |  |  |  |  |  |  |  |  |  |  |  |  |  |  |  |
| M                | RW  | CH12  | Included | 1     | Include     |  |  |  |  |  |  |  |  |  |  |  |  |  |  |  |  |  |  |  |  |  |  |  |  |  |  |
|                  |   |       | Excluded | 0     | Exclude     |  |  |  |  |  |  |  |  |  |  |  |  |  |  |  |  |  |  |  |  |  |  |  |  |  |  |
| N                | RW  | CH13  | Included | 1     | Include     |  |  |  |  |  |  |  |  |  |  |  |  |  |  |  |  |  |  |  |  |  |  |  |  |  |  |
|                  |   |       | Excluded | 0     | Exclude     |  |  |  |  |  |  |  |  |  |  |  |  |  |  |  |  |  |  |  |  |  |  |  |  |  |  |
| O                | RW  | CH14  | Included | 1     | Include     |  |  |  |  |  |  |  |  |  |  |  |  |  |  |  |  |  |  |  |  |  |  |  |  |  |  |
|                  |   |       | Excluded | 0     | Exclude     |  |  |  |  |  |  |  |  |  |  |  |  |  |  |  |  |  |  |  |  |  |  |  |  |  |  |
| P                | RW  | CH15  | Included | 1     | Include     |  |  |  |  |  |  |  |  |  |  |  |  |  |  |  |  |  |  |  |  |  |  |  |  |  |  |
|                  |   |       | Excluded | 0     | Exclude     |  |  |  |  |  |  |  |  |  |  |  |  |  |  |  |  |  |  |  |  |  |  |  |  |  |  |
| Q                | RW  | CH16  | Included | 1     | Include     |  |  |  |  |  |  |  |  |  |  |  |  |  |  |  |  |  |  |  |  |  |  |  |  |  |  |
|                  |   |       | Excluded | 0     | Exclude     |  |  |  |  |  |  |  |  |  |  |  |  |  |  |  |  |  |  |  |  |  |  |  |  |  |  |
| R                | RW  | CH17  | Included | 1     | Include     |  |  |  |  |  |  |  |  |  |  |  |  |  |  |  |  |  |  |  |  |  |  |  |  |  |  |
|                  |   |       | Excluded | 0     | Exclude     |  |  |  |  |  |  |  |  |  |  |  |  |  |  |  |  |  |  |  |  |  |  |  |  |  |  |
| S                | RW  | CH18  | Included | 1     | Include     |  |  |  |  |  |  |  |  |  |  |  |  |  |  |  |  |  |  |  |  |  |  |  |  |  |  |
|                  |   |       | Excluded | 0     | Exclude     |  |  |  |  |  |  |  |  |  |  |  |  |  |  |  |  |  |  |  |  |  |  |  |  |  |  |
| T                | RW  | CH19  | Included | 1     | Include     |  |  |  |  |  |  |  |  |  |  |  |  |  |  |  |  |  |  |  |  |  |  |  |  |  |  |
|                  |   |       | Excluded | 0     | Exclude     |  |  |  |  |  |  |  |  |  |  |  |  |  |  |  |  |  |  |  |  |  |  |  |  |  |  |
| U                | RW  | CH20  | Included | 1     | Include     |  |  |  |  |  |  |  |  |  |  |  |  |  |  |  |  |  |  |  |  |  |  |  |  |  |  |
|                  |   |       | Excluded | 0     | Exclude     |  |  |  |  |  |  |  |  |  |  |  |  |  |  |  |  |  |  |  |  |  |  |  |  |  |  |
| V                | RW  | CH21  | Included | 1     | Include     |  |  |  |  |  |  |  |  |  |  |  |  |  |  |  |  |  |  |  |  |  |  |  |  |  |  |
|                  |   |       | Excluded | 0     | Exclude     |  |  |  |  |  |  |  |  |  |  |  |  |  |  |  |  |  |  |  |  |  |  |  |  |  |  |
| W                | RW  | CH22  | Included | 1     | Include     |  |  |  |  |  |  |  |  |  |  |  |  |  |  |  |  |  |  |  |  |  |  |  |  |  |  |
|                  |   |       | Excluded | 0     | Exclude     |  |  |  |  |  |  |  |  |  |  |  |  |  |  |  |  |  |  |  |  |  |  |  |  |  |  |
| X                | RW  | CH23  | Included | 1     | Include     |  |  |  |  |  |  |  |  |  |  |  |  |  |  |  |  |  |  |  |  |  |  |  |  |  |  |
|                  |   |       | Excluded | 0     | Exclude     |  |  |  |  |  |  |  |  |  |  |  |  |  |  |  |  |  |  |  |  |  |  |  |  |  |  |
| Y                | RW  | CH24  | Included | 1     | Include     |  |  |  |  |  |  |  |  |  |  |  |  |  |  |  |  |  |  |  |  |  |  |  |  |  |  |
|                  |   |       | Excluded | 0     | Exclude     |  |  |  |  |  |  |  |  |  |  |  |  |  |  |  |  |  |  |  |  |  |  |  |  |  |  |
| Z                | RW  | CH25  | Included | 1     | Include     |  |  |  |  |  |  |  |  |  |  |  |  |  |  |  |  |  |  |  |  |  |  |  |  |  |  |
|                  |   |       | Excluded | 0     | Exclude     |  |  |  |  |  |  |  |  |  |  |  |  |  |  |  |  |  |  |  |  |  |  |  |  |  |  |

| Bit number       | 31 | 30    | 29       | 28 | 27      | 26          | 25 | 24 | 23 | 22 | 21 | 20 | 19 | 18 | 17 | 16 | 15 | 14 | 13 | 12 | 11 | 10 | 9 | 8 | 7 | 6 | 5 | 4 | 3 | 2 | 1 | 0 |
|------------------|----|-------|----------|----|---------|-------------|----|----|----|----|----|----|----|----|----|----|----|----|----|----|----|----|---|---|---|---|---|---|---|---|---|---|
| Id               | f  | e     | d        | c  | b       | a           | Z  | Y  | X  | W  | V  | U  | T  | S  | R  | Q  | P  | O  | N  | M  | L  | K  | J | I | H | G | F | E | D | C | B | A |
| Reset 0x00000000 | 0  | 0     | 0        | 0  | 0       | 0           | 0  | 0  | 0  | 0  | 0  | 0  | 0  | 0  | 0  | 0  | 0  | 0  | 0  | 0  | 0  | 0  | 0 | 0 | 0 | 0 | 0 | 0 | 0 | 0 | 0 | 0 |
| Id               | RW | Field | Value    | Id | Value   | Description |    |    |    |    |    |    |    |    |    |    |    |    |    |    |    |    |   |   |   |   |   |   |   |   |   |   |
| a                | RW | CH26  | Excluded | 0  | Exclude |             |    |    |    |    |    |    |    |    |    |    |    |    |    |    |    |    |   |   |   |   |   |   |   |   |   |   |
|                  |    |       | Included | 1  | Include |             |    |    |    |    |    |    |    |    |    |    |    |    |    |    |    |    |   |   |   |   |   |   |   |   |   |   |
| b                | RW | CH27  | Excluded | 0  | Exclude |             |    |    |    |    |    |    |    |    |    |    |    |    |    |    |    |    |   |   |   |   |   |   |   |   |   |   |
|                  |    |       | Included | 1  | Include |             |    |    |    |    |    |    |    |    |    |    |    |    |    |    |    |    |   |   |   |   |   |   |   |   |   |   |
| c                | RW | CH28  | Excluded | 0  | Exclude |             |    |    |    |    |    |    |    |    |    |    |    |    |    |    |    |    |   |   |   |   |   |   |   |   |   |   |
|                  |    |       | Included | 1  | Include |             |    |    |    |    |    |    |    |    |    |    |    |    |    |    |    |    |   |   |   |   |   |   |   |   |   |   |
| d                | RW | CH29  | Excluded | 0  | Exclude |             |    |    |    |    |    |    |    |    |    |    |    |    |    |    |    |    |   |   |   |   |   |   |   |   |   |   |
|                  |    |       | Included | 1  | Include |             |    |    |    |    |    |    |    |    |    |    |    |    |    |    |    |    |   |   |   |   |   |   |   |   |   |   |
| e                | RW | CH30  | Excluded | 0  | Exclude |             |    |    |    |    |    |    |    |    |    |    |    |    |    |    |    |    |   |   |   |   |   |   |   |   |   |   |
|                  |    |       | Included | 1  | Include |             |    |    |    |    |    |    |    |    |    |    |    |    |    |    |    |    |   |   |   |   |   |   |   |   |   |   |
| f                | RW | CH31  | Excluded | 0  | Exclude |             |    |    |    |    |    |    |    |    |    |    |    |    |    |    |    |    |   |   |   |   |   |   |   |   |   |   |
|                  |    |       | Included | 1  | Include |             |    |    |    |    |    |    |    |    |    |    |    |    |    |    |    |    |   |   |   |   |   |   |   |   |   |   |

### 22.2.46 CHG[2]

Address offset: 0x808

Channel group 2

| Bit number       | 31 | 30    | 29       | 28 | 27      | 26          | 25 | 24 | 23 | 22 | 21 | 20 | 19 | 18 | 17 | 16 | 15 | 14 | 13 | 12 | 11 | 10 | 9 | 8 | 7 | 6 | 5 | 4 | 3 | 2 | 1 | 0 |
|------------------|----|-------|----------|----|---------|-------------|----|----|----|----|----|----|----|----|----|----|----|----|----|----|----|----|---|---|---|---|---|---|---|---|---|---|
| Id               | f  | e     | d        | c  | b       | a           | Z  | Y  | X  | W  | V  | U  | T  | S  | R  | Q  | P  | O  | N  | M  | L  | K  | J | I | H | G | F | E | D | C | B | A |
| Reset 0x00000000 | 0  | 0     | 0        | 0  | 0       | 0           | 0  | 0  | 0  | 0  | 0  | 0  | 0  | 0  | 0  | 0  | 0  | 0  | 0  | 0  | 0  | 0  | 0 | 0 | 0 | 0 | 0 | 0 | 0 | 0 | 0 | 0 |
| Id               | RW | Field | Value    | Id | Value   | Description |    |    |    |    |    |    |    |    |    |    |    |    |    |    |    |    |   |   |   |   |   |   |   |   |   |   |
| A                | RW | CH0   | Excluded | 0  | Exclude |             |    |    |    |    |    |    |    |    |    |    |    |    |    |    |    |    |   |   |   |   |   |   |   |   |   |   |
|                  |    |       | Included | 1  | Include |             |    |    |    |    |    |    |    |    |    |    |    |    |    |    |    |    |   |   |   |   |   |   |   |   |   |   |
| B                | RW | CH1   | Excluded | 0  | Exclude |             |    |    |    |    |    |    |    |    |    |    |    |    |    |    |    |    |   |   |   |   |   |   |   |   |   |   |
|                  |    |       | Included | 1  | Include |             |    |    |    |    |    |    |    |    |    |    |    |    |    |    |    |    |   |   |   |   |   |   |   |   |   |   |
| C                | RW | CH2   | Excluded | 0  | Exclude |             |    |    |    |    |    |    |    |    |    |    |    |    |    |    |    |    |   |   |   |   |   |   |   |   |   |   |
|                  |    |       | Included | 1  | Include |             |    |    |    |    |    |    |    |    |    |    |    |    |    |    |    |    |   |   |   |   |   |   |   |   |   |   |
| D                | RW | CH3   | Excluded | 0  | Exclude |             |    |    |    |    |    |    |    |    |    |    |    |    |    |    |    |    |   |   |   |   |   |   |   |   |   |   |
|                  |    |       | Included | 1  | Include |             |    |    |    |    |    |    |    |    |    |    |    |    |    |    |    |    |   |   |   |   |   |   |   |   |   |   |
| E                | RW | CH4   | Excluded | 0  | Exclude |             |    |    |    |    |    |    |    |    |    |    |    |    |    |    |    |    |   |   |   |   |   |   |   |   |   |   |
|                  |    |       | Included | 1  | Include |             |    |    |    |    |    |    |    |    |    |    |    |    |    |    |    |    |   |   |   |   |   |   |   |   |   |   |
| F                | RW | CH5   | Excluded | 0  | Exclude |             |    |    |    |    |    |    |    |    |    |    |    |    |    |    |    |    |   |   |   |   |   |   |   |   |   |   |
|                  |    |       | Included | 1  | Include |             |    |    |    |    |    |    |    |    |    |    |    |    |    |    |    |    |   |   |   |   |   |   |   |   |   |   |
| G                | RW | CH6   | Excluded | 0  | Exclude |             |    |    |    |    |    |    |    |    |    |    |    |    |    |    |    |    |   |   |   |   |   |   |   |   |   |   |
|                  |    |       | Included | 1  | Include |             |    |    |    |    |    |    |    |    |    |    |    |    |    |    |    |    |   |   |   |   |   |   |   |   |   |   |
| H                | RW | CH7   | Excluded | 0  | Exclude |             |    |    |    |    |    |    |    |    |    |    |    |    |    |    |    |    |   |   |   |   |   |   |   |   |   |   |
|                  |    |       | Included | 1  | Include |             |    |    |    |    |    |    |    |    |    |    |    |    |    |    |    |    |   |   |   |   |   |   |   |   |   |   |
| I                | RW | CH8   | Excluded | 0  | Exclude |             |    |    |    |    |    |    |    |    |    |    |    |    |    |    |    |    |   |   |   |   |   |   |   |   |   |   |
|                  |    |       | Included | 1  | Include |             |    |    |    |    |    |    |    |    |    |    |    |    |    |    |    |    |   |   |   |   |   |   |   |   |   |   |

| Bit number       |   |       |          |       |                               |  |  |  |  |  |  |  |  |  |  |  |  |  |  |  |  |  |  |  |  |  |  |  |  |  |  |
|------------------|---|-------|----------|-------|-------------------------------|--|--|--|--|--|--|--|--|--|--|--|--|--|--|--|--|--|--|--|--|--|--|--|--|--|--|
| Id               | f e d c b a Z Y X W V U T S R Q P O N M L K J I H G F E D C B A           |       |          |       |                               |  |  |  |  |  |  |  |  |  |  |  |  |  |  |  |  |  |  |  |  |  |  |  |  |  |  |
| Reset 0x00000000 | 0 |       |          |       |                               |  |  |  |  |  |  |  |  |  |  |  |  |  |  |  |  |  |  |  |  |  |  |  |  |  |  |
| Id               | RW  | Field | Value Id | Value | Description                   |  |  |  |  |  |  |  |  |  |  |  |  |  |  |  |  |  |  |  |  |  |  |  |  |  |  |
| J                | RW  | CH9   | Excluded | 0     | Exclude                       |  |  |  |  |  |  |  |  |  |  |  |  |  |  |  |  |  |  |  |  |  |  |  |  |  |  |
|                  |   |       | Included | 1     | Include                       |  |  |  |  |  |  |  |  |  |  |  |  |  |  |  |  |  |  |  |  |  |  |  |  |  |  |
| K                | RW  | CH10  | Excluded | 0     | Exclude                       |  |  |  |  |  |  |  |  |  |  |  |  |  |  |  |  |  |  |  |  |  |  |  |  |  |  |
|                  |   |       | Included | 1     | Include                       |  |  |  |  |  |  |  |  |  |  |  |  |  |  |  |  |  |  |  |  |  |  |  |  |  |  |
| L                | RW  | CH11  | Excluded | 0     | Exclude                       |  |  |  |  |  |  |  |  |  |  |  |  |  |  |  |  |  |  |  |  |  |  |  |  |  |  |
|                  |   |       | Included | 1     | Include                       |  |  |  |  |  |  |  |  |  |  |  |  |  |  |  |  |  |  |  |  |  |  |  |  |  |  |
| M                | RW  | CH12  | Excluded | 0     | Exclude                       |  |  |  |  |  |  |  |  |  |  |  |  |  |  |  |  |  |  |  |  |  |  |  |  |  |  |
|                  |   |       | Included | 1     | Include                       |  |  |  |  |  |  |  |  |  |  |  |  |  |  |  |  |  |  |  |  |  |  |  |  |  |  |
| N                | RW  | CH13  | Excluded | 0     | Exclude                       |  |  |  |  |  |  |  |  |  |  |  |  |  |  |  |  |  |  |  |  |  |  |  |  |  |  |
|                  |   |       | Included | 1     | Include                       |  |  |  |  |  |  |  |  |  |  |  |  |  |  |  |  |  |  |  |  |  |  |  |  |  |  |
| O                | RW  | CH14  | Excluded | 0     | Exclude                       |  |  |  |  |  |  |  |  |  |  |  |  |  |  |  |  |  |  |  |  |  |  |  |  |  |  |
|                  |   |       | Included | 1     | Include                       |  |  |  |  |  |  |  |  |  |  |  |  |  |  |  |  |  |  |  |  |  |  |  |  |  |  |
| P                | RW  | CH15  | Excluded | 0     | Exclude                       |  |  |  |  |  |  |  |  |  |  |  |  |  |  |  |  |  |  |  |  |  |  |  |  |  |  |
|                  |   |       | Included | 1     | Include                       |  |  |  |  |  |  |  |  |  |  |  |  |  |  |  |  |  |  |  |  |  |  |  |  |  |  |
| Q                | RW  | CH16  | Excluded | 0     | Exclude                       |  |  |  |  |  |  |  |  |  |  |  |  |  |  |  |  |  |  |  |  |  |  |  |  |  |  |
|                  |   |       | Included | 1     | Include                       |  |  |  |  |  |  |  |  |  |  |  |  |  |  |  |  |  |  |  |  |  |  |  |  |  |  |
| R                | RW  | CH17  | Excluded | 0     | Exclude                       |  |  |  |  |  |  |  |  |  |  |  |  |  |  |  |  |  |  |  |  |  |  |  |  |  |  |
|                  |   |       | Included | 1     | Include                       |  |  |  |  |  |  |  |  |  |  |  |  |  |  |  |  |  |  |  |  |  |  |  |  |  |  |
| S                | RW  | CH18  | Excluded | 0     | Exclude                       |  |  |  |  |  |  |  |  |  |  |  |  |  |  |  |  |  |  |  |  |  |  |  |  |  |  |
|                  |   |       | Included | 1     | Include                       |  |  |  |  |  |  |  |  |  |  |  |  |  |  |  |  |  |  |  |  |  |  |  |  |  |  |
| T                | RW  | CH19  | Excluded | 0     | Exclude                       |  |  |  |  |  |  |  |  |  |  |  |  |  |  |  |  |  |  |  |  |  |  |  |  |  |  |
|                  |   |       | Included | 1     | Include                       |  |  |  |  |  |  |  |  |  |  |  |  |  |  |  |  |  |  |  |  |  |  |  |  |  |  |
| U                | RW  | CH20  | Excluded | 0     | Exclude                       |  |  |  |  |  |  |  |  |  |  |  |  |  |  |  |  |  |  |  |  |  |  |  |  |  |  |
|                  |   |       | Included | 1     | Include                       |  |  |  |  |  |  |  |  |  |  |  |  |  |  |  |  |  |  |  |  |  |  |  |  |  |  |
| V                | RW  | CH21  | Excluded | 0     | Exclude                       |  |  |  |  |  |  |  |  |  |  |  |  |  |  |  |  |  |  |  |  |  |  |  |  |  |  |
|                  |   |       | Included | 1     | Include                       |  |  |  |  |  |  |  |  |  |  |  |  |  |  |  |  |  |  |  |  |  |  |  |  |  |  |
| W                | RW  | CH22  | Excluded | 0     | Exclude                       |  |  |  |  |  |  |  |  |  |  |  |  |  |  |  |  |  |  |  |  |  |  |  |  |  |  |
|                  |   |       | Included | 1     | Include                       |  |  |  |  |  |  |  |  |  |  |  |  |  |  |  |  |  |  |  |  |  |  |  |  |  |  |
| X                | RW  | CH23  | Excluded | 0     | Exclude                       |  |  |  |  |  |  |  |  |  |  |  |  |  |  |  |  |  |  |  |  |  |  |  |  |  |  |
|                  |   |       | Included | 1     | Include                       |  |  |  |  |  |  |  |  |  |  |  |  |  |  |  |  |  |  |  |  |  |  |  |  |  |  |
| Y                | RW  | CH24  | Excluded | 0     | Exclude                       |  |  |  |  |  |  |  |  |  |  |  |  |  |  |  |  |  |  |  |  |  |  |  |  |  |  |
|                  |   |       | Included | 1     | Include                       |  |  |  |  |  |  |  |  |  |  |  |  |  |  |  |  |  |  |  |  |  |  |  |  |  |  |
| Z                | RW  | CH25  | Excluded | 0     | Exclude                       |  |  |  |  |  |  |  |  |  |  |  |  |  |  |  |  |  |  |  |  |  |  |  |  |  |  |
|                  |   |       | Included | 1     | Include                       |  |  |  |  |  |  |  |  |  |  |  |  |  |  |  |  |  |  |  |  |  |  |  |  |  |  |
| a                | RW  | CH26  | Excluded | 0     | Exclude                       |  |  |  |  |  |  |  |  |  |  |  |  |  |  |  |  |  |  |  |  |  |  |  |  |  |  |
|                  |   |       | Included | 1     | Include                       |  |  |  |  |  |  |  |  |  |  |  |  |  |  |  |  |  |  |  |  |  |  |  |  |  |  |
| b                | RW  | CH27  |          |       | Include or exclude channel 27 |  |  |  |  |  |  |  |  |  |  |  |  |  |  |  |  |  |  |  |  |  |  |  |  |  |  |

| Bit number       |    |       |          |       |                               |  |  |  |  |  |  |  |  |  |  |  |  |  |  |  |  |  |  |  |  |  |  |  |  |  |  |  |
|------------------|----|-------|----------|-------|-------------------------------|--|--|--|--|--|--|--|--|--|--|--|--|--|--|--|--|--|--|--|--|--|--|--|--|--|--|--|
| Id               |    |       |          |       |                               |  |  |  |  |  |  |  |  |  |  |  |  |  |  |  |  |  |  |  |  |  |  |  |  |  |  |  |
| Reset 0x00000000 |    |       |          |       |                               |  |  |  |  |  |  |  |  |  |  |  |  |  |  |  |  |  |  |  |  |  |  |  |  |  |  |  |
| Id               | RW | Field | Value Id | Value | Description                   |  |  |  |  |  |  |  |  |  |  |  |  |  |  |  |  |  |  |  |  |  |  |  |  |  |  |  |
|                  |    |       | Excluded | 0     | Exclude                       |  |  |  |  |  |  |  |  |  |  |  |  |  |  |  |  |  |  |  |  |  |  |  |  |  |  |  |
|                  |    |       | Included | 1     | Include                       |  |  |  |  |  |  |  |  |  |  |  |  |  |  |  |  |  |  |  |  |  |  |  |  |  |  |  |
| c                | RW | CH28  |          |       | Include or exclude channel 28 |  |  |  |  |  |  |  |  |  |  |  |  |  |  |  |  |  |  |  |  |  |  |  |  |  |  |  |
|                  |    |       | Excluded | 0     | Exclude                       |  |  |  |  |  |  |  |  |  |  |  |  |  |  |  |  |  |  |  |  |  |  |  |  |  |  |  |
|                  |    |       | Included | 1     | Include                       |  |  |  |  |  |  |  |  |  |  |  |  |  |  |  |  |  |  |  |  |  |  |  |  |  |  |  |
| d                | RW | CH29  |          |       | Include or exclude channel 29 |  |  |  |  |  |  |  |  |  |  |  |  |  |  |  |  |  |  |  |  |  |  |  |  |  |  |  |
|                  |    |       | Excluded | 0     | Exclude                       |  |  |  |  |  |  |  |  |  |  |  |  |  |  |  |  |  |  |  |  |  |  |  |  |  |  |  |
|                  |    |       | Included | 1     | Include                       |  |  |  |  |  |  |  |  |  |  |  |  |  |  |  |  |  |  |  |  |  |  |  |  |  |  |  |
| e                | RW | CH30  |          |       | Include or exclude channel 30 |  |  |  |  |  |  |  |  |  |  |  |  |  |  |  |  |  |  |  |  |  |  |  |  |  |  |  |
|                  |    |       | Excluded | 0     | Exclude                       |  |  |  |  |  |  |  |  |  |  |  |  |  |  |  |  |  |  |  |  |  |  |  |  |  |  |  |
|                  |    |       | Included | 1     | Include                       |  |  |  |  |  |  |  |  |  |  |  |  |  |  |  |  |  |  |  |  |  |  |  |  |  |  |  |
| f                | RW | CH31  |          |       | Include or exclude channel 31 |  |  |  |  |  |  |  |  |  |  |  |  |  |  |  |  |  |  |  |  |  |  |  |  |  |  |  |
|                  |    |       | Excluded | 0     | Exclude                       |  |  |  |  |  |  |  |  |  |  |  |  |  |  |  |  |  |  |  |  |  |  |  |  |  |  |  |
|                  |    |       | Included | 1     | Include                       |  |  |  |  |  |  |  |  |  |  |  |  |  |  |  |  |  |  |  |  |  |  |  |  |  |  |  |

## 22.2.47 CHG[3]

Address offset: 0x80C

Channel group 3

| Bit number       |    |       |          |       |                               |  |  |  |  |  |  |  |  |  |  |  |  |  |  |  |  |  |  |  |  |  |  |  |  |  |  |  |
|------------------|----|-------|----------|-------|-------------------------------|--|--|--|--|--|--|--|--|--|--|--|--|--|--|--|--|--|--|--|--|--|--|--|--|--|--|--|
| Id               |    |       |          |       |                               |  |  |  |  |  |  |  |  |  |  |  |  |  |  |  |  |  |  |  |  |  |  |  |  |  |  |  |
| Reset 0x00000000 |    |       |          |       |                               |  |  |  |  |  |  |  |  |  |  |  |  |  |  |  |  |  |  |  |  |  |  |  |  |  |  |  |
| Id               | RW | Field | Value Id | Value | Description                   |  |  |  |  |  |  |  |  |  |  |  |  |  |  |  |  |  |  |  |  |  |  |  |  |  |  |  |
| A                | RW | CH0   |          |       | Include or exclude channel 0  |  |  |  |  |  |  |  |  |  |  |  |  |  |  |  |  |  |  |  |  |  |  |  |  |  |  |  |
|                  |    |       | Excluded | 0     | Exclude                       |  |  |  |  |  |  |  |  |  |  |  |  |  |  |  |  |  |  |  |  |  |  |  |  |  |  |  |
|                  |    |       | Included | 1     | Include                       |  |  |  |  |  |  |  |  |  |  |  |  |  |  |  |  |  |  |  |  |  |  |  |  |  |  |  |
| B                | RW | CH1   |          |       | Include or exclude channel 1  |  |  |  |  |  |  |  |  |  |  |  |  |  |  |  |  |  |  |  |  |  |  |  |  |  |  |  |
|                  |    |       | Excluded | 0     | Exclude                       |  |  |  |  |  |  |  |  |  |  |  |  |  |  |  |  |  |  |  |  |  |  |  |  |  |  |  |
|                  |    |       | Included | 1     | Include                       |  |  |  |  |  |  |  |  |  |  |  |  |  |  |  |  |  |  |  |  |  |  |  |  |  |  |  |
| C                | RW | CH2   |          |       | Include or exclude channel 2  |  |  |  |  |  |  |  |  |  |  |  |  |  |  |  |  |  |  |  |  |  |  |  |  |  |  |  |
|                  |    |       | Excluded | 0     | Exclude                       |  |  |  |  |  |  |  |  |  |  |  |  |  |  |  |  |  |  |  |  |  |  |  |  |  |  |  |
|                  |    |       | Included | 1     | Include                       |  |  |  |  |  |  |  |  |  |  |  |  |  |  |  |  |  |  |  |  |  |  |  |  |  |  |  |
| D                | RW | CH3   |          |       | Include or exclude channel 3  |  |  |  |  |  |  |  |  |  |  |  |  |  |  |  |  |  |  |  |  |  |  |  |  |  |  |  |
|                  |    |       | Excluded | 0     | Exclude                       |  |  |  |  |  |  |  |  |  |  |  |  |  |  |  |  |  |  |  |  |  |  |  |  |  |  |  |
|                  |    |       | Included | 1     | Include                       |  |  |  |  |  |  |  |  |  |  |  |  |  |  |  |  |  |  |  |  |  |  |  |  |  |  |  |
| E                | RW | CH4   |          |       | Include or exclude channel 4  |  |  |  |  |  |  |  |  |  |  |  |  |  |  |  |  |  |  |  |  |  |  |  |  |  |  |  |
|                  |    |       | Excluded | 0     | Exclude                       |  |  |  |  |  |  |  |  |  |  |  |  |  |  |  |  |  |  |  |  |  |  |  |  |  |  |  |
|                  |    |       | Included | 1     | Include                       |  |  |  |  |  |  |  |  |  |  |  |  |  |  |  |  |  |  |  |  |  |  |  |  |  |  |  |
| F                | RW | CH5   |          |       | Include or exclude channel 5  |  |  |  |  |  |  |  |  |  |  |  |  |  |  |  |  |  |  |  |  |  |  |  |  |  |  |  |
|                  |    |       | Excluded | 0     | Exclude                       |  |  |  |  |  |  |  |  |  |  |  |  |  |  |  |  |  |  |  |  |  |  |  |  |  |  |  |
|                  |    |       | Included | 1     | Include                       |  |  |  |  |  |  |  |  |  |  |  |  |  |  |  |  |  |  |  |  |  |  |  |  |  |  |  |
| G                | RW | CH6   |          |       | Include or exclude channel 6  |  |  |  |  |  |  |  |  |  |  |  |  |  |  |  |  |  |  |  |  |  |  |  |  |  |  |  |
|                  |    |       | Excluded | 0     | Exclude                       |  |  |  |  |  |  |  |  |  |  |  |  |  |  |  |  |  |  |  |  |  |  |  |  |  |  |  |
|                  |    |       | Included | 1     | Include                       |  |  |  |  |  |  |  |  |  |  |  |  |  |  |  |  |  |  |  |  |  |  |  |  |  |  |  |
| H                | RW | CH7   |          |       | Include or exclude channel 7  |  |  |  |  |  |  |  |  |  |  |  |  |  |  |  |  |  |  |  |  |  |  |  |  |  |  |  |
|                  |    |       | Excluded | 0     | Exclude                       |  |  |  |  |  |  |  |  |  |  |  |  |  |  |  |  |  |  |  |  |  |  |  |  |  |  |  |
|                  |    |       | Included | 1     | Include                       |  |  |  |  |  |  |  |  |  |  |  |  |  |  |  |  |  |  |  |  |  |  |  |  |  |  |  |
| I                | RW | CH8   |          |       | Include or exclude channel 8  |  |  |  |  |  |  |  |  |  |  |  |  |  |  |  |  |  |  |  |  |  |  |  |  |  |  |  |
|                  |    |       | Excluded | 0     | Exclude                       |  |  |  |  |  |  |  |  |  |  |  |  |  |  |  |  |  |  |  |  |  |  |  |  |  |  |  |
|                  |    |       | Included | 1     | Include                       |  |  |  |  |  |  |  |  |  |  |  |  |  |  |  |  |  |  |  |  |  |  |  |  |  |  |  |
| J                | RW | CH9   |          |       | Include or exclude channel 9  |  |  |  |  |  |  |  |  |  |  |  |  |  |  |  |  |  |  |  |  |  |  |  |  |  |  |  |
|                  |    |       | Excluded | 0     | Exclude                       |  |  |  |  |  |  |  |  |  |  |  |  |  |  |  |  |  |  |  |  |  |  |  |  |  |  |  |
|                  |    |       | Included | 1     | Include                       |  |  |  |  |  |  |  |  |  |  |  |  |  |  |  |  |  |  |  |  |  |  |  |  |  |  |  |
| K                | RW | CH10  |          |       | Include or exclude channel 10 |  |  |  |  |  |  |  |  |  |  |  |  |  |  |  |  |  |  |  |  |  |  |  |  |  |  |  |



|                  |    |    |    |    |    |    |    |    |    |    |    |    |    |    |    |    |    |    |    |    |    |    |   |   |   |   |   |   |   |   |   |   |
|------------------|----|----|----|----|----|----|----|----|----|----|----|----|----|----|----|----|----|----|----|----|----|----|---|---|---|---|---|---|---|---|---|---|
| Bit number       | 31 | 30 | 29 | 28 | 27 | 26 | 25 | 24 | 23 | 22 | 21 | 20 | 19 | 18 | 17 | 16 | 15 | 14 | 13 | 12 | 11 | 10 | 9 | 8 | 7 | 6 | 5 | 4 | 3 | 2 | 1 | 0 |
| Id               | f  | e  | d  | c  | b  | a  | Z  | Y  | X  | W  | V  | U  | T  | S  | R  | Q  | P  | O  | N  | M  | L  | K  | J | I | H | G | F | E | D | C | B | A |
| Reset 0x00000000 | 0  | 0  | 0  | 0  | 0  | 0  | 0  | 0  | 0  | 0  | 0  | 0  | 0  | 0  | 0  | 0  | 0  | 0  | 0  | 0  | 0  | 0  | 0 | 0 | 0 | 0 | 0 | 0 | 0 | 0 | 0 | 0 |

| Id | RW | Field | Value Id | Value | Description                   |
|----|----|-------|----------|-------|-------------------------------|
|    |    |       | Excluded | 0     | Exclude                       |
|    |    |       | Included | 1     | Include                       |
| L  | RW | CH11  |          |       | Include or exclude channel 11 |
|    |    |       | Excluded | 0     | Exclude                       |
|    |    |       | Included | 1     | Include                       |
| M  | RW | CH12  |          |       | Include or exclude channel 12 |
|    |    |       | Excluded | 0     | Exclude                       |
|    |    |       | Included | 1     | Include                       |
| N  | RW | CH13  |          |       | Include or exclude channel 13 |
|    |    |       | Excluded | 0     | Exclude                       |
|    |    |       | Included | 1     | Include                       |
| O  | RW | CH14  |          |       | Include or exclude channel 14 |
|    |    |       | Excluded | 0     | Exclude                       |
|    |    |       | Included | 1     | Include                       |
| P  | RW | CH15  |          |       | Include or exclude channel 15 |
|    |    |       | Excluded | 0     | Exclude                       |
|    |    |       | Included | 1     | Include                       |
| Q  | RW | CH16  |          |       | Include or exclude channel 16 |
|    |    |       | Excluded | 0     | Exclude                       |
|    |    |       | Included | 1     | Include                       |
| R  | RW | CH17  |          |       | Include or exclude channel 17 |
|    |    |       | Excluded | 0     | Exclude                       |
|    |    |       | Included | 1     | Include                       |
| S  | RW | CH18  |          |       | Include or exclude channel 18 |
|    |    |       | Excluded | 0     | Exclude                       |
|    |    |       | Included | 1     | Include                       |
| T  | RW | CH19  |          |       | Include or exclude channel 19 |
|    |    |       | Excluded | 0     | Exclude                       |
|    |    |       | Included | 1     | Include                       |
| U  | RW | CH20  |          |       | Include or exclude channel 20 |
|    |    |       | Excluded | 0     | Exclude                       |
|    |    |       | Included | 1     | Include                       |
| V  | RW | CH21  |          |       | Include or exclude channel 21 |
|    |    |       | Excluded | 0     | Exclude                       |
|    |    |       | Included | 1     | Include                       |
| W  | RW | CH22  |          |       | Include or exclude channel 22 |
|    |    |       | Excluded | 0     | Exclude                       |
|    |    |       | Included | 1     | Include                       |
| X  | RW | CH23  |          |       | Include or exclude channel 23 |
|    |    |       | Excluded | 0     | Exclude                       |
|    |    |       | Included | 1     | Include                       |
| Y  | RW | CH24  |          |       | Include or exclude channel 24 |
|    |    |       | Excluded | 0     | Exclude                       |
|    |    |       | Included | 1     | Include                       |
| Z  | RW | CH25  |          |       | Include or exclude channel 25 |
|    |    |       | Excluded | 0     | Exclude                       |
|    |    |       | Included | 1     | Include                       |
| a  | RW | CH26  |          |       | Include or exclude channel 26 |
|    |    |       | Excluded | 0     | Exclude                       |
|    |    |       | Included | 1     | Include                       |
| b  | RW | CH27  |          |       | Include or exclude channel 27 |
|    |    |       | Excluded | 0     | Exclude                       |
|    |    |       | Included | 1     | Include                       |
| c  | RW | CH28  |          |       | Include or exclude channel 28 |
|    |    |       | Excluded | 0     | Exclude                       |

| Bit number       | 31 | 30    | 29       | 28    | 27                            | 26 | 25 | 24 | 23 | 22 | 21 | 20 | 19 | 18 | 17 | 16 | 15 | 14 | 13 | 12 | 11 | 10 | 9 | 8 | 7 | 6 | 5 | 4 | 3 | 2 | 1 | 0 |
|------------------|----|-------|----------|-------|-------------------------------|----|----|----|----|----|----|----|----|----|----|----|----|----|----|----|----|----|---|---|---|---|---|---|---|---|---|---|
| Id               | f  | e     | d        | c     | b                             | a  | Z  | Y  | X  | W  | V  | U  | T  | S  | R  | Q  | P  | O  | N  | M  | L  | K  | J | I | H | G | F | E | D | C | B | A |
| Reset 0x00000000 | 0  | 0     | 0        | 0     | 0                             | 0  | 0  | 0  | 0  | 0  | 0  | 0  | 0  | 0  | 0  | 0  | 0  | 0  | 0  | 0  | 0  | 0  | 0 | 0 | 0 | 0 | 0 | 0 | 0 | 0 | 0 |   |
| Id               | RW | Field | Value Id | Value | Description                   |    |    |    |    |    |    |    |    |    |    |    |    |    |    |    |    |    |   |   |   |   |   |   |   |   |   |   |
|                  |    |       | Included | 1     | Include                       |    |    |    |    |    |    |    |    |    |    |    |    |    |    |    |    |    |   |   |   |   |   |   |   |   |   |   |
| d                | RW | CH29  | Excluded | 0     | Include or exclude channel 29 |    |    |    |    |    |    |    |    |    |    |    |    |    |    |    |    |    |   |   |   |   |   |   |   |   |   |   |
|                  |    |       | Included | 1     | Exclude                       |    |    |    |    |    |    |    |    |    |    |    |    |    |    |    |    |    |   |   |   |   |   |   |   |   |   |   |
|                  |    |       | Included | 1     | Include                       |    |    |    |    |    |    |    |    |    |    |    |    |    |    |    |    |    |   |   |   |   |   |   |   |   |   |   |
| e                | RW | CH30  | Excluded | 0     | Include or exclude channel 30 |    |    |    |    |    |    |    |    |    |    |    |    |    |    |    |    |    |   |   |   |   |   |   |   |   |   |   |
|                  |    |       | Included | 1     | Exclude                       |    |    |    |    |    |    |    |    |    |    |    |    |    |    |    |    |    |   |   |   |   |   |   |   |   |   |   |
|                  |    |       | Included | 1     | Include                       |    |    |    |    |    |    |    |    |    |    |    |    |    |    |    |    |    |   |   |   |   |   |   |   |   |   |   |
| f                | RW | CH31  | Excluded | 0     | Include or exclude channel 31 |    |    |    |    |    |    |    |    |    |    |    |    |    |    |    |    |    |   |   |   |   |   |   |   |   |   |   |
|                  |    |       | Included | 1     | Exclude                       |    |    |    |    |    |    |    |    |    |    |    |    |    |    |    |    |    |   |   |   |   |   |   |   |   |   |   |
|                  |    |       | Included | 1     | Include                       |    |    |    |    |    |    |    |    |    |    |    |    |    |    |    |    |    |   |   |   |   |   |   |   |   |   |   |

### 22.2.48 CHG[4]

Address offset: 0x810

Channel group 4

| Bit number       | 31 | 30    | 29       | 28    | 27                            | 26 | 25 | 24 | 23 | 22 | 21 | 20 | 19 | 18 | 17 | 16 | 15 | 14 | 13 | 12 | 11 | 10 | 9 | 8 | 7 | 6 | 5 | 4 | 3 | 2 | 1 | 0 |
|------------------|----|-------|----------|-------|-------------------------------|----|----|----|----|----|----|----|----|----|----|----|----|----|----|----|----|----|---|---|---|---|---|---|---|---|---|---|
| Id               | f  | e     | d        | c     | b                             | a  | Z  | Y  | X  | W  | V  | U  | T  | S  | R  | Q  | P  | O  | N  | M  | L  | K  | J | I | H | G | F | E | D | C | B | A |
| Reset 0x00000000 | 0  | 0     | 0        | 0     | 0                             | 0  | 0  | 0  | 0  | 0  | 0  | 0  | 0  | 0  | 0  | 0  | 0  | 0  | 0  | 0  | 0  | 0  | 0 | 0 | 0 | 0 | 0 | 0 | 0 | 0 | 0 |   |
| Id               | RW | Field | Value Id | Value | Description                   |    |    |    |    |    |    |    |    |    |    |    |    |    |    |    |    |    |   |   |   |   |   |   |   |   |   |   |
| A                | RW | CH0   | Excluded | 0     | Include or exclude channel 0  |    |    |    |    |    |    |    |    |    |    |    |    |    |    |    |    |    |   |   |   |   |   |   |   |   |   |   |
|                  |    |       | Included | 1     | Exclude                       |    |    |    |    |    |    |    |    |    |    |    |    |    |    |    |    |    |   |   |   |   |   |   |   |   |   |   |
|                  |    |       | Included | 1     | Include                       |    |    |    |    |    |    |    |    |    |    |    |    |    |    |    |    |    |   |   |   |   |   |   |   |   |   |   |
| B                | RW | CH1   | Excluded | 0     | Include or exclude channel 1  |    |    |    |    |    |    |    |    |    |    |    |    |    |    |    |    |    |   |   |   |   |   |   |   |   |   |   |
|                  |    |       | Included | 1     | Exclude                       |    |    |    |    |    |    |    |    |    |    |    |    |    |    |    |    |    |   |   |   |   |   |   |   |   |   |   |
|                  |    |       | Included | 1     | Include                       |    |    |    |    |    |    |    |    |    |    |    |    |    |    |    |    |    |   |   |   |   |   |   |   |   |   |   |
| C                | RW | CH2   | Excluded | 0     | Include or exclude channel 2  |    |    |    |    |    |    |    |    |    |    |    |    |    |    |    |    |    |   |   |   |   |   |   |   |   |   |   |
|                  |    |       | Included | 1     | Exclude                       |    |    |    |    |    |    |    |    |    |    |    |    |    |    |    |    |    |   |   |   |   |   |   |   |   |   |   |
|                  |    |       | Included | 1     | Include                       |    |    |    |    |    |    |    |    |    |    |    |    |    |    |    |    |    |   |   |   |   |   |   |   |   |   |   |
| D                | RW | CH3   | Excluded | 0     | Include or exclude channel 3  |    |    |    |    |    |    |    |    |    |    |    |    |    |    |    |    |    |   |   |   |   |   |   |   |   |   |   |
|                  |    |       | Included | 1     | Exclude                       |    |    |    |    |    |    |    |    |    |    |    |    |    |    |    |    |    |   |   |   |   |   |   |   |   |   |   |
|                  |    |       | Included | 1     | Include                       |    |    |    |    |    |    |    |    |    |    |    |    |    |    |    |    |    |   |   |   |   |   |   |   |   |   |   |
| E                | RW | CH4   | Excluded | 0     | Include or exclude channel 4  |    |    |    |    |    |    |    |    |    |    |    |    |    |    |    |    |    |   |   |   |   |   |   |   |   |   |   |
|                  |    |       | Included | 1     | Exclude                       |    |    |    |    |    |    |    |    |    |    |    |    |    |    |    |    |    |   |   |   |   |   |   |   |   |   |   |
|                  |    |       | Included | 1     | Include                       |    |    |    |    |    |    |    |    |    |    |    |    |    |    |    |    |    |   |   |   |   |   |   |   |   |   |   |
| F                | RW | CH5   | Excluded | 0     | Include or exclude channel 5  |    |    |    |    |    |    |    |    |    |    |    |    |    |    |    |    |    |   |   |   |   |   |   |   |   |   |   |
|                  |    |       | Included | 1     | Exclude                       |    |    |    |    |    |    |    |    |    |    |    |    |    |    |    |    |    |   |   |   |   |   |   |   |   |   |   |
|                  |    |       | Included | 1     | Include                       |    |    |    |    |    |    |    |    |    |    |    |    |    |    |    |    |    |   |   |   |   |   |   |   |   |   |   |
| G                | RW | CH6   | Excluded | 0     | Include or exclude channel 6  |    |    |    |    |    |    |    |    |    |    |    |    |    |    |    |    |    |   |   |   |   |   |   |   |   |   |   |
|                  |    |       | Included | 1     | Exclude                       |    |    |    |    |    |    |    |    |    |    |    |    |    |    |    |    |    |   |   |   |   |   |   |   |   |   |   |
|                  |    |       | Included | 1     | Include                       |    |    |    |    |    |    |    |    |    |    |    |    |    |    |    |    |    |   |   |   |   |   |   |   |   |   |   |
| H                | RW | CH7   | Excluded | 0     | Include or exclude channel 7  |    |    |    |    |    |    |    |    |    |    |    |    |    |    |    |    |    |   |   |   |   |   |   |   |   |   |   |
|                  |    |       | Included | 1     | Exclude                       |    |    |    |    |    |    |    |    |    |    |    |    |    |    |    |    |    |   |   |   |   |   |   |   |   |   |   |
|                  |    |       | Included | 1     | Include                       |    |    |    |    |    |    |    |    |    |    |    |    |    |    |    |    |    |   |   |   |   |   |   |   |   |   |   |
| I                | RW | CH8   | Excluded | 0     | Include or exclude channel 8  |    |    |    |    |    |    |    |    |    |    |    |    |    |    |    |    |    |   |   |   |   |   |   |   |   |   |   |
|                  |    |       | Included | 1     | Exclude                       |    |    |    |    |    |    |    |    |    |    |    |    |    |    |    |    |    |   |   |   |   |   |   |   |   |   |   |
|                  |    |       | Included | 1     | Include                       |    |    |    |    |    |    |    |    |    |    |    |    |    |    |    |    |    |   |   |   |   |   |   |   |   |   |   |
| J                | RW | CH9   | Excluded | 0     | Include or exclude channel 9  |    |    |    |    |    |    |    |    |    |    |    |    |    |    |    |    |    |   |   |   |   |   |   |   |   |   |   |
|                  |    |       | Included | 1     | Exclude                       |    |    |    |    |    |    |    |    |    |    |    |    |    |    |    |    |    |   |   |   |   |   |   |   |   |   |   |
|                  |    |       | Included | 1     | Include                       |    |    |    |    |    |    |    |    |    |    |    |    |    |    |    |    |    |   |   |   |   |   |   |   |   |   |   |
| K                | RW | CH10  | Excluded | 0     | Include or exclude channel 10 |    |    |    |    |    |    |    |    |    |    |    |    |    |    |    |    |    |   |   |   |   |   |   |   |   |   |   |
|                  |    |       | Included | 1     | Exclude                       |    |    |    |    |    |    |    |    |    |    |    |    |    |    |    |    |    |   |   |   |   |   |   |   |   |   |   |
|                  |    |       | Included | 1     | Include                       |    |    |    |    |    |    |    |    |    |    |    |    |    |    |    |    |    |   |   |   |   |   |   |   |   |   |   |
| L                | RW | CH11  | Excluded | 0     | Include or exclude channel 11 |    |    |    |    |    |    |    |    |    |    |    |    |    |    |    |    |    |   |   |   |   |   |   |   |   |   |   |
|                  |    |       | Included | 1     | Exclude                       |    |    |    |    |    |    |    |    |    |    |    |    |    |    |    |    |    |   |   |   |   |   |   |   |   |   |   |
|                  |    |       | Included | 1     | Include                       |    |    |    |    |    |    |    |    |    |    |    |    |    |    |    |    |    |   |   |   |   |   |   |   |   |   |   |

|                  |    |    |    |    |    |    |    |    |    |    |    |    |    |    |    |    |    |    |    |    |    |    |   |   |   |   |   |   |   |   |   |   |
|------------------|----|----|----|----|----|----|----|----|----|----|----|----|----|----|----|----|----|----|----|----|----|----|---|---|---|---|---|---|---|---|---|---|
| Bit number       | 31 | 30 | 29 | 28 | 27 | 26 | 25 | 24 | 23 | 22 | 21 | 20 | 19 | 18 | 17 | 16 | 15 | 14 | 13 | 12 | 11 | 10 | 9 | 8 | 7 | 6 | 5 | 4 | 3 | 2 | 1 | 0 |
| Id               | f  | e  | d  | c  | b  | a  | Z  | Y  | X  | W  | V  | U  | T  | S  | R  | Q  | P  | O  | N  | M  | L  | K  | J | I | H | G | F | E | D | C | B | A |
| Reset 0x00000000 | 0  | 0  | 0  | 0  | 0  | 0  | 0  | 0  | 0  | 0  | 0  | 0  | 0  | 0  | 0  | 0  | 0  | 0  | 0  | 0  | 0  | 0  | 0 | 0 | 0 | 0 | 0 | 0 | 0 | 0 | 0 | 0 |

| Id | RW | Field | Value Id | Value | Description |
|----|----|-------|----------|-------|-------------|
|    |    |       | Included | 1     | Include     |
| M  | RW | CH12  | Excluded | 0     | Exclude     |
|    |    |       | Included | 1     | Include     |
| N  | RW | CH13  | Excluded | 0     | Exclude     |
|    |    |       | Included | 1     | Include     |
| O  | RW | CH14  | Excluded | 0     | Exclude     |
|    |    |       | Included | 1     | Include     |
| P  | RW | CH15  | Excluded | 0     | Exclude     |
|    |    |       | Included | 1     | Include     |
| Q  | RW | CH16  | Excluded | 0     | Exclude     |
|    |    |       | Included | 1     | Include     |
| R  | RW | CH17  | Excluded | 0     | Exclude     |
|    |    |       | Included | 1     | Include     |
| S  | RW | CH18  | Excluded | 0     | Exclude     |
|    |    |       | Included | 1     | Include     |
| T  | RW | CH19  | Excluded | 0     | Exclude     |
|    |    |       | Included | 1     | Include     |
| U  | RW | CH20  | Excluded | 0     | Exclude     |
|    |    |       | Included | 1     | Include     |
| V  | RW | CH21  | Excluded | 0     | Exclude     |
|    |    |       | Included | 1     | Include     |
| W  | RW | CH22  | Excluded | 0     | Exclude     |
|    |    |       | Included | 1     | Include     |
| X  | RW | CH23  | Excluded | 0     | Exclude     |
|    |    |       | Included | 1     | Include     |
| Y  | RW | CH24  | Excluded | 0     | Exclude     |
|    |    |       | Included | 1     | Include     |
| Z  | RW | CH25  | Excluded | 0     | Exclude     |
|    |    |       | Included | 1     | Include     |
| a  | RW | CH26  | Excluded | 0     | Exclude     |
|    |    |       | Included | 1     | Include     |
| b  | RW | CH27  | Excluded | 0     | Exclude     |
|    |    |       | Included | 1     | Include     |
| c  | RW | CH28  | Excluded | 0     | Exclude     |
|    |    |       | Included | 1     | Include     |
| d  | RW | CH29  | Excluded | 0     | Exclude     |
|    |    |       | Included | 1     | Include     |

| Bit number       | 31 | 30    | 29       | 28 | 27    | 26                            | 25 | 24 | 23 | 22 | 21 | 20 | 19 | 18 | 17 | 16 | 15 | 14 | 13 | 12 | 11 | 10 | 9 | 8 | 7 | 6 | 5 | 4 | 3 | 2 | 1 | 0 |
|------------------|----|-------|----------|----|-------|-------------------------------|----|----|----|----|----|----|----|----|----|----|----|----|----|----|----|----|---|---|---|---|---|---|---|---|---|---|
| Id               | f  | e     | d        | c  | b     | a                             | Z  | Y  | X  | W  | V  | U  | T  | S  | R  | Q  | P  | O  | N  | M  | L  | K  | J | I | H | G | F | E | D | C | B | A |
| Reset 0x00000000 | 0  | 0     | 0        | 0  | 0     | 0                             | 0  | 0  | 0  | 0  | 0  | 0  | 0  | 0  | 0  | 0  | 0  | 0  | 0  | 0  | 0  | 0  | 0 | 0 | 0 | 0 | 0 | 0 | 0 | 0 | 0 |   |
| Id               | RW | Field | Value    | Id | Value | Description                   |    |    |    |    |    |    |    |    |    |    |    |    |    |    |    |    |   |   |   |   |   |   |   |   |   |   |
| e                | RW | CH30  |          |    |       | Include or exclude channel 30 |    |    |    |    |    |    |    |    |    |    |    |    |    |    |    |    |   |   |   |   |   |   |   |   |   |   |
|                  |    |       | Excluded |    | 0     | Exclude                       |    |    |    |    |    |    |    |    |    |    |    |    |    |    |    |    |   |   |   |   |   |   |   |   |   |   |
|                  |    |       | Included |    | 1     | Include                       |    |    |    |    |    |    |    |    |    |    |    |    |    |    |    |    |   |   |   |   |   |   |   |   |   |   |
| f                | RW | CH31  |          |    |       | Include or exclude channel 31 |    |    |    |    |    |    |    |    |    |    |    |    |    |    |    |    |   |   |   |   |   |   |   |   |   |   |
|                  |    |       | Excluded |    | 0     | Exclude                       |    |    |    |    |    |    |    |    |    |    |    |    |    |    |    |    |   |   |   |   |   |   |   |   |   |   |
|                  |    |       | Included |    | 1     | Include                       |    |    |    |    |    |    |    |    |    |    |    |    |    |    |    |    |   |   |   |   |   |   |   |   |   |   |

### 22.2.49 CHG[5]

Address offset: 0x814

Channel group 5

| Bit number       | 31 | 30    | 29       | 28 | 27    | 26                            | 25 | 24 | 23 | 22 | 21 | 20 | 19 | 18 | 17 | 16 | 15 | 14 | 13 | 12 | 11 | 10 | 9 | 8 | 7 | 6 | 5 | 4 | 3 | 2 | 1 | 0 |
|------------------|----|-------|----------|----|-------|-------------------------------|----|----|----|----|----|----|----|----|----|----|----|----|----|----|----|----|---|---|---|---|---|---|---|---|---|---|
| Id               | f  | e     | d        | c  | b     | a                             | Z  | Y  | X  | W  | V  | U  | T  | S  | R  | Q  | P  | O  | N  | M  | L  | K  | J | I | H | G | F | E | D | C | B | A |
| Reset 0x00000000 | 0  | 0     | 0        | 0  | 0     | 0                             | 0  | 0  | 0  | 0  | 0  | 0  | 0  | 0  | 0  | 0  | 0  | 0  | 0  | 0  | 0  | 0  | 0 | 0 | 0 | 0 | 0 | 0 | 0 | 0 | 0 |   |
| Id               | RW | Field | Value    | Id | Value | Description                   |    |    |    |    |    |    |    |    |    |    |    |    |    |    |    |    |   |   |   |   |   |   |   |   |   |   |
| A                | RW | CH0   |          |    |       | Include or exclude channel 0  |    |    |    |    |    |    |    |    |    |    |    |    |    |    |    |    |   |   |   |   |   |   |   |   |   |   |
|                  |    |       | Excluded |    | 0     | Exclude                       |    |    |    |    |    |    |    |    |    |    |    |    |    |    |    |    |   |   |   |   |   |   |   |   |   |   |
|                  |    |       | Included |    | 1     | Include                       |    |    |    |    |    |    |    |    |    |    |    |    |    |    |    |    |   |   |   |   |   |   |   |   |   |   |
| B                | RW | CH1   |          |    |       | Include or exclude channel 1  |    |    |    |    |    |    |    |    |    |    |    |    |    |    |    |    |   |   |   |   |   |   |   |   |   |   |
|                  |    |       | Excluded |    | 0     | Exclude                       |    |    |    |    |    |    |    |    |    |    |    |    |    |    |    |    |   |   |   |   |   |   |   |   |   |   |
|                  |    |       | Included |    | 1     | Include                       |    |    |    |    |    |    |    |    |    |    |    |    |    |    |    |    |   |   |   |   |   |   |   |   |   |   |
| C                | RW | CH2   |          |    |       | Include or exclude channel 2  |    |    |    |    |    |    |    |    |    |    |    |    |    |    |    |    |   |   |   |   |   |   |   |   |   |   |
|                  |    |       | Excluded |    | 0     | Exclude                       |    |    |    |    |    |    |    |    |    |    |    |    |    |    |    |    |   |   |   |   |   |   |   |   |   |   |
|                  |    |       | Included |    | 1     | Include                       |    |    |    |    |    |    |    |    |    |    |    |    |    |    |    |    |   |   |   |   |   |   |   |   |   |   |
| D                | RW | CH3   |          |    |       | Include or exclude channel 3  |    |    |    |    |    |    |    |    |    |    |    |    |    |    |    |    |   |   |   |   |   |   |   |   |   |   |
|                  |    |       | Excluded |    | 0     | Exclude                       |    |    |    |    |    |    |    |    |    |    |    |    |    |    |    |    |   |   |   |   |   |   |   |   |   |   |
|                  |    |       | Included |    | 1     | Include                       |    |    |    |    |    |    |    |    |    |    |    |    |    |    |    |    |   |   |   |   |   |   |   |   |   |   |
| E                | RW | CH4   |          |    |       | Include or exclude channel 4  |    |    |    |    |    |    |    |    |    |    |    |    |    |    |    |    |   |   |   |   |   |   |   |   |   |   |
|                  |    |       | Excluded |    | 0     | Exclude                       |    |    |    |    |    |    |    |    |    |    |    |    |    |    |    |    |   |   |   |   |   |   |   |   |   |   |
|                  |    |       | Included |    | 1     | Include                       |    |    |    |    |    |    |    |    |    |    |    |    |    |    |    |    |   |   |   |   |   |   |   |   |   |   |
| F                | RW | CH5   |          |    |       | Include or exclude channel 5  |    |    |    |    |    |    |    |    |    |    |    |    |    |    |    |    |   |   |   |   |   |   |   |   |   |   |
|                  |    |       | Excluded |    | 0     | Exclude                       |    |    |    |    |    |    |    |    |    |    |    |    |    |    |    |    |   |   |   |   |   |   |   |   |   |   |
|                  |    |       | Included |    | 1     | Include                       |    |    |    |    |    |    |    |    |    |    |    |    |    |    |    |    |   |   |   |   |   |   |   |   |   |   |
| G                | RW | CH6   |          |    |       | Include or exclude channel 6  |    |    |    |    |    |    |    |    |    |    |    |    |    |    |    |    |   |   |   |   |   |   |   |   |   |   |
|                  |    |       | Excluded |    | 0     | Exclude                       |    |    |    |    |    |    |    |    |    |    |    |    |    |    |    |    |   |   |   |   |   |   |   |   |   |   |
|                  |    |       | Included |    | 1     | Include                       |    |    |    |    |    |    |    |    |    |    |    |    |    |    |    |    |   |   |   |   |   |   |   |   |   |   |
| H                | RW | CH7   |          |    |       | Include or exclude channel 7  |    |    |    |    |    |    |    |    |    |    |    |    |    |    |    |    |   |   |   |   |   |   |   |   |   |   |
|                  |    |       | Excluded |    | 0     | Exclude                       |    |    |    |    |    |    |    |    |    |    |    |    |    |    |    |    |   |   |   |   |   |   |   |   |   |   |
|                  |    |       | Included |    | 1     | Include                       |    |    |    |    |    |    |    |    |    |    |    |    |    |    |    |    |   |   |   |   |   |   |   |   |   |   |
| I                | RW | CH8   |          |    |       | Include or exclude channel 8  |    |    |    |    |    |    |    |    |    |    |    |    |    |    |    |    |   |   |   |   |   |   |   |   |   |   |
|                  |    |       | Excluded |    | 0     | Exclude                       |    |    |    |    |    |    |    |    |    |    |    |    |    |    |    |    |   |   |   |   |   |   |   |   |   |   |
|                  |    |       | Included |    | 1     | Include                       |    |    |    |    |    |    |    |    |    |    |    |    |    |    |    |    |   |   |   |   |   |   |   |   |   |   |
| J                | RW | CH9   |          |    |       | Include or exclude channel 9  |    |    |    |    |    |    |    |    |    |    |    |    |    |    |    |    |   |   |   |   |   |   |   |   |   |   |
|                  |    |       | Excluded |    | 0     | Exclude                       |    |    |    |    |    |    |    |    |    |    |    |    |    |    |    |    |   |   |   |   |   |   |   |   |   |   |
|                  |    |       | Included |    | 1     | Include                       |    |    |    |    |    |    |    |    |    |    |    |    |    |    |    |    |   |   |   |   |   |   |   |   |   |   |
| K                | RW | CH10  |          |    |       | Include or exclude channel 10 |    |    |    |    |    |    |    |    |    |    |    |    |    |    |    |    |   |   |   |   |   |   |   |   |   |   |
|                  |    |       | Excluded |    | 0     | Exclude                       |    |    |    |    |    |    |    |    |    |    |    |    |    |    |    |    |   |   |   |   |   |   |   |   |   |   |
|                  |    |       | Included |    | 1     | Include                       |    |    |    |    |    |    |    |    |    |    |    |    |    |    |    |    |   |   |   |   |   |   |   |   |   |   |
| L                | RW | CH11  |          |    |       | Include or exclude channel 11 |    |    |    |    |    |    |    |    |    |    |    |    |    |    |    |    |   |   |   |   |   |   |   |   |   |   |
|                  |    |       | Excluded |    | 0     | Exclude                       |    |    |    |    |    |    |    |    |    |    |    |    |    |    |    |    |   |   |   |   |   |   |   |   |   |   |
|                  |    |       | Included |    | 1     | Include                       |    |    |    |    |    |    |    |    |    |    |    |    |    |    |    |    |   |   |   |   |   |   |   |   |   |   |
| M                | RW | CH12  |          |    |       | Include or exclude channel 12 |    |    |    |    |    |    |    |    |    |    |    |    |    |    |    |    |   |   |   |   |   |   |   |   |   |   |
|                  |    |       | Excluded |    | 0     | Exclude                       |    |    |    |    |    |    |    |    |    |    |    |    |    |    |    |    |   |   |   |   |   |   |   |   |   |   |
|                  |    |       | Included |    | 1     | Include                       |    |    |    |    |    |    |    |    |    |    |    |    |    |    |    |    |   |   |   |   |   |   |   |   |   |   |

| Bit number       |   |       |          |       |                               |  |  |  |  |  |  |  |  |  |  |  |  |  |  |  |  |  |  |  |  |  |  |  |  |  |  |
|------------------|---|-------|----------|-------|-------------------------------|--|--|--|--|--|--|--|--|--|--|--|--|--|--|--|--|--|--|--|--|--|--|--|--|--|--|
| Id               | f e d c b a Z Y X W V U T S R Q P O N M L K J I H G F E D C B A           |       |          |       |                               |  |  |  |  |  |  |  |  |  |  |  |  |  |  |  |  |  |  |  |  |  |  |  |  |  |  |
| Reset 0x00000000 | 0 |       |          |       |                               |  |  |  |  |  |  |  |  |  |  |  |  |  |  |  |  |  |  |  |  |  |  |  |  |  |  |
| Id               | RW  | Field | Value Id | Value | Description                   |  |  |  |  |  |  |  |  |  |  |  |  |  |  |  |  |  |  |  |  |  |  |  |  |  |  |
| N                | RW  | CH13  | Excluded | 0     | Exclude                       |  |  |  |  |  |  |  |  |  |  |  |  |  |  |  |  |  |  |  |  |  |  |  |  |  |  |
|                  |   |       | Included | 1     | Include                       |  |  |  |  |  |  |  |  |  |  |  |  |  |  |  |  |  |  |  |  |  |  |  |  |  |  |
| O                | RW  | CH14  | Excluded | 0     | Exclude                       |  |  |  |  |  |  |  |  |  |  |  |  |  |  |  |  |  |  |  |  |  |  |  |  |  |  |
|                  |   |       | Included | 1     | Include                       |  |  |  |  |  |  |  |  |  |  |  |  |  |  |  |  |  |  |  |  |  |  |  |  |  |  |
| P                | RW  | CH15  | Excluded | 0     | Exclude                       |  |  |  |  |  |  |  |  |  |  |  |  |  |  |  |  |  |  |  |  |  |  |  |  |  |  |
|                  |   |       | Included | 1     | Include                       |  |  |  |  |  |  |  |  |  |  |  |  |  |  |  |  |  |  |  |  |  |  |  |  |  |  |
| Q                | RW  | CH16  | Excluded | 0     | Exclude                       |  |  |  |  |  |  |  |  |  |  |  |  |  |  |  |  |  |  |  |  |  |  |  |  |  |  |
|                  |   |       | Included | 1     | Include                       |  |  |  |  |  |  |  |  |  |  |  |  |  |  |  |  |  |  |  |  |  |  |  |  |  |  |
| R                | RW  | CH17  | Excluded | 0     | Exclude                       |  |  |  |  |  |  |  |  |  |  |  |  |  |  |  |  |  |  |  |  |  |  |  |  |  |  |
|                  |   |       | Included | 1     | Include                       |  |  |  |  |  |  |  |  |  |  |  |  |  |  |  |  |  |  |  |  |  |  |  |  |  |  |
| S                | RW  | CH18  | Excluded | 0     | Exclude                       |  |  |  |  |  |  |  |  |  |  |  |  |  |  |  |  |  |  |  |  |  |  |  |  |  |  |
|                  |   |       | Included | 1     | Include                       |  |  |  |  |  |  |  |  |  |  |  |  |  |  |  |  |  |  |  |  |  |  |  |  |  |  |
| T                | RW  | CH19  | Excluded | 0     | Exclude                       |  |  |  |  |  |  |  |  |  |  |  |  |  |  |  |  |  |  |  |  |  |  |  |  |  |  |
|                  |   |       | Included | 1     | Include                       |  |  |  |  |  |  |  |  |  |  |  |  |  |  |  |  |  |  |  |  |  |  |  |  |  |  |
| U                | RW  | CH20  | Excluded | 0     | Exclude                       |  |  |  |  |  |  |  |  |  |  |  |  |  |  |  |  |  |  |  |  |  |  |  |  |  |  |
|                  |   |       | Included | 1     | Include                       |  |  |  |  |  |  |  |  |  |  |  |  |  |  |  |  |  |  |  |  |  |  |  |  |  |  |
| V                | RW  | CH21  | Excluded | 0     | Exclude                       |  |  |  |  |  |  |  |  |  |  |  |  |  |  |  |  |  |  |  |  |  |  |  |  |  |  |
|                  |   |       | Included | 1     | Include                       |  |  |  |  |  |  |  |  |  |  |  |  |  |  |  |  |  |  |  |  |  |  |  |  |  |  |
| W                | RW  | CH22  | Excluded | 0     | Exclude                       |  |  |  |  |  |  |  |  |  |  |  |  |  |  |  |  |  |  |  |  |  |  |  |  |  |  |
|                  |   |       | Included | 1     | Include                       |  |  |  |  |  |  |  |  |  |  |  |  |  |  |  |  |  |  |  |  |  |  |  |  |  |  |
| X                | RW  | CH23  | Excluded | 0     | Exclude                       |  |  |  |  |  |  |  |  |  |  |  |  |  |  |  |  |  |  |  |  |  |  |  |  |  |  |
|                  |   |       | Included | 1     | Include                       |  |  |  |  |  |  |  |  |  |  |  |  |  |  |  |  |  |  |  |  |  |  |  |  |  |  |
| Y                | RW  | CH24  | Excluded | 0     | Exclude                       |  |  |  |  |  |  |  |  |  |  |  |  |  |  |  |  |  |  |  |  |  |  |  |  |  |  |
|                  |   |       | Included | 1     | Include                       |  |  |  |  |  |  |  |  |  |  |  |  |  |  |  |  |  |  |  |  |  |  |  |  |  |  |
| Z                | RW  | CH25  | Excluded | 0     | Exclude                       |  |  |  |  |  |  |  |  |  |  |  |  |  |  |  |  |  |  |  |  |  |  |  |  |  |  |
|                  |   |       | Included | 1     | Include                       |  |  |  |  |  |  |  |  |  |  |  |  |  |  |  |  |  |  |  |  |  |  |  |  |  |  |
| a                | RW  | CH26  | Excluded | 0     | Exclude                       |  |  |  |  |  |  |  |  |  |  |  |  |  |  |  |  |  |  |  |  |  |  |  |  |  |  |
|                  |   |       | Included | 1     | Include                       |  |  |  |  |  |  |  |  |  |  |  |  |  |  |  |  |  |  |  |  |  |  |  |  |  |  |
| b                | RW  | CH27  | Excluded | 0     | Exclude                       |  |  |  |  |  |  |  |  |  |  |  |  |  |  |  |  |  |  |  |  |  |  |  |  |  |  |
|                  |   |       | Included | 1     | Include                       |  |  |  |  |  |  |  |  |  |  |  |  |  |  |  |  |  |  |  |  |  |  |  |  |  |  |
| c                | RW  | CH28  | Excluded | 0     | Exclude                       |  |  |  |  |  |  |  |  |  |  |  |  |  |  |  |  |  |  |  |  |  |  |  |  |  |  |
|                  |   |       | Included | 1     | Include                       |  |  |  |  |  |  |  |  |  |  |  |  |  |  |  |  |  |  |  |  |  |  |  |  |  |  |
| d                | RW  | CH29  | Excluded | 0     | Exclude                       |  |  |  |  |  |  |  |  |  |  |  |  |  |  |  |  |  |  |  |  |  |  |  |  |  |  |
|                  |   |       | Included | 1     | Include                       |  |  |  |  |  |  |  |  |  |  |  |  |  |  |  |  |  |  |  |  |  |  |  |  |  |  |
| e                | RW  | CH30  | Excluded | 0     | Exclude                       |  |  |  |  |  |  |  |  |  |  |  |  |  |  |  |  |  |  |  |  |  |  |  |  |  |  |
|                  |   |       | Included | 1     | Include                       |  |  |  |  |  |  |  |  |  |  |  |  |  |  |  |  |  |  |  |  |  |  |  |  |  |  |
| f                | RW  | CH31  |          |       | Include or exclude channel 31 |  |  |  |  |  |  |  |  |  |  |  |  |  |  |  |  |  |  |  |  |  |  |  |  |  |  |

| Bit number       | 31 | 30    | 29       | 28    | 27          | 26 | 25 | 24 | 23 | 22 | 21 | 20 | 19 | 18 | 17 | 16 | 15 | 14 | 13 | 12 | 11 | 10 | 9 | 8 | 7 | 6 | 5 | 4 | 3 | 2 | 1 | 0 |
|------------------|----|-------|----------|-------|-------------|----|----|----|----|----|----|----|----|----|----|----|----|----|----|----|----|----|---|---|---|---|---|---|---|---|---|---|
| Id               | f  | e     | d        | c     | b           | a  | Z  | Y  | X  | W  | V  | U  | T  | S  | R  | Q  | P  | O  | N  | M  | L  | K  | J | I | H | G | F | E | D | C | B | A |
| Reset 0x00000000 | 0  | 0     | 0        | 0     | 0           | 0  | 0  | 0  | 0  | 0  | 0  | 0  | 0  | 0  | 0  | 0  | 0  | 0  | 0  | 0  | 0  | 0  | 0 | 0 | 0 | 0 | 0 | 0 | 0 | 0 | 0 | 0 |
| Id               | RW | Field | Value Id | Value | Description |    |    |    |    |    |    |    |    |    |    |    |    |    |    |    |    |    |   |   |   |   |   |   |   |   |   |   |
|                  |    |       | Excluded | 0     | Exclude     |    |    |    |    |    |    |    |    |    |    |    |    |    |    |    |    |    |   |   |   |   |   |   |   |   |   |   |
|                  |    |       | Included | 1     | Include     |    |    |    |    |    |    |    |    |    |    |    |    |    |    |    |    |    |   |   |   |   |   |   |   |   |   |   |

### 22.2.50 FORK[0].TEP

Address offset: 0x910

Channel 0 task end-point

| Bit number       | 31 | 30    | 29       | 28    | 27                       | 26 | 25 | 24 | 23 | 22 | 21 | 20 | 19 | 18 | 17 | 16 | 15 | 14 | 13 | 12 | 11 | 10 | 9 | 8 | 7 | 6 | 5 | 4 | 3 | 2 | 1 | 0 |
|------------------|----|-------|----------|-------|--------------------------|----|----|----|----|----|----|----|----|----|----|----|----|----|----|----|----|----|---|---|---|---|---|---|---|---|---|---|
| Id               | A  | A     | A        | A     | A                        | A  | A  | A  | A  | A  | A  | A  | A  | A  | A  | A  | A  | A  | A  | A  | A  | A  | A | A | A | A | A | A | A | A | A |   |
| Reset 0x00000000 | 0  | 0     | 0        | 0     | 0                        | 0  | 0  | 0  | 0  | 0  | 0  | 0  | 0  | 0  | 0  | 0  | 0  | 0  | 0  | 0  | 0  | 0  | 0 | 0 | 0 | 0 | 0 | 0 | 0 | 0 | 0 |   |
| Id               | RW | Field | Value Id | Value | Description              |    |    |    |    |    |    |    |    |    |    |    |    |    |    |    |    |    |   |   |   |   |   |   |   |   |   |   |
| A                | RW | TEP   |          |       | Pointer to task register |    |    |    |    |    |    |    |    |    |    |    |    |    |    |    |    |    |   |   |   |   |   |   |   |   |   |   |

### 22.2.51 FORK[1].TEP

Address offset: 0x914

Channel 1 task end-point

| Bit number       | 31 | 30    | 29       | 28    | 27                       | 26 | 25 | 24 | 23 | 22 | 21 | 20 | 19 | 18 | 17 | 16 | 15 | 14 | 13 | 12 | 11 | 10 | 9 | 8 | 7 | 6 | 5 | 4 | 3 | 2 | 1 | 0 |
|------------------|----|-------|----------|-------|--------------------------|----|----|----|----|----|----|----|----|----|----|----|----|----|----|----|----|----|---|---|---|---|---|---|---|---|---|---|
| Id               | A  | A     | A        | A     | A                        | A  | A  | A  | A  | A  | A  | A  | A  | A  | A  | A  | A  | A  | A  | A  | A  | A  | A | A | A | A | A | A | A | A | A |   |
| Reset 0x00000000 | 0  | 0     | 0        | 0     | 0                        | 0  | 0  | 0  | 0  | 0  | 0  | 0  | 0  | 0  | 0  | 0  | 0  | 0  | 0  | 0  | 0  | 0  | 0 | 0 | 0 | 0 | 0 | 0 | 0 | 0 | 0 |   |
| Id               | RW | Field | Value Id | Value | Description              |    |    |    |    |    |    |    |    |    |    |    |    |    |    |    |    |    |   |   |   |   |   |   |   |   |   |   |
| A                | RW | TEP   |          |       | Pointer to task register |    |    |    |    |    |    |    |    |    |    |    |    |    |    |    |    |    |   |   |   |   |   |   |   |   |   |   |

### 22.2.52 FORK[2].TEP

Address offset: 0x918

Channel 2 task end-point

| Bit number       | 31 | 30    | 29       | 28    | 27                       | 26 | 25 | 24 | 23 | 22 | 21 | 20 | 19 | 18 | 17 | 16 | 15 | 14 | 13 | 12 | 11 | 10 | 9 | 8 | 7 | 6 | 5 | 4 | 3 | 2 | 1 | 0 |
|------------------|----|-------|----------|-------|--------------------------|----|----|----|----|----|----|----|----|----|----|----|----|----|----|----|----|----|---|---|---|---|---|---|---|---|---|---|
| Id               | A  | A     | A        | A     | A                        | A  | A  | A  | A  | A  | A  | A  | A  | A  | A  | A  | A  | A  | A  | A  | A  | A  | A | A | A | A | A | A | A | A | A |   |
| Reset 0x00000000 | 0  | 0     | 0        | 0     | 0                        | 0  | 0  | 0  | 0  | 0  | 0  | 0  | 0  | 0  | 0  | 0  | 0  | 0  | 0  | 0  | 0  | 0  | 0 | 0 | 0 | 0 | 0 | 0 | 0 | 0 | 0 |   |
| Id               | RW | Field | Value Id | Value | Description              |    |    |    |    |    |    |    |    |    |    |    |    |    |    |    |    |    |   |   |   |   |   |   |   |   |   |   |
| A                | RW | TEP   |          |       | Pointer to task register |    |    |    |    |    |    |    |    |    |    |    |    |    |    |    |    |    |   |   |   |   |   |   |   |   |   |   |

### 22.2.53 FORK[3].TEP

Address offset: 0x91C

Channel 3 task end-point

| Bit number       | 31 | 30    | 29       | 28    | 27                       | 26 | 25 | 24 | 23 | 22 | 21 | 20 | 19 | 18 | 17 | 16 | 15 | 14 | 13 | 12 | 11 | 10 | 9 | 8 | 7 | 6 | 5 | 4 | 3 | 2 | 1 | 0 |
|------------------|----|-------|----------|-------|--------------------------|----|----|----|----|----|----|----|----|----|----|----|----|----|----|----|----|----|---|---|---|---|---|---|---|---|---|---|
| Id               | A  | A     | A        | A     | A                        | A  | A  | A  | A  | A  | A  | A  | A  | A  | A  | A  | A  | A  | A  | A  | A  | A  | A | A | A | A | A | A | A | A | A |   |
| Reset 0x00000000 | 0  | 0     | 0        | 0     | 0                        | 0  | 0  | 0  | 0  | 0  | 0  | 0  | 0  | 0  | 0  | 0  | 0  | 0  | 0  | 0  | 0  | 0  | 0 | 0 | 0 | 0 | 0 | 0 | 0 | 0 | 0 |   |
| Id               | RW | Field | Value Id | Value | Description              |    |    |    |    |    |    |    |    |    |    |    |    |    |    |    |    |    |   |   |   |   |   |   |   |   |   |   |
| A                | RW | TEP   |          |       | Pointer to task register |    |    |    |    |    |    |    |    |    |    |    |    |    |    |    |    |    |   |   |   |   |   |   |   |   |   |   |

### 22.2.54 FORK[4].TEP

Address offset: 0x920

Channel 4 task end-point

| Bit number       | 31 | 30    | 29       | 28    | 27                       | 26 | 25 | 24 | 23 | 22 | 21 | 20 | 19 | 18 | 17 | 16 | 15 | 14 | 13 | 12 | 11 | 10 | 9 | 8 | 7 | 6 | 5 | 4 | 3 | 2 | 1 | 0 |
|------------------|----|-------|----------|-------|--------------------------|----|----|----|----|----|----|----|----|----|----|----|----|----|----|----|----|----|---|---|---|---|---|---|---|---|---|---|
| Id               | A  | A     | A        | A     | A                        | A  | A  | A  | A  | A  | A  | A  | A  | A  | A  | A  | A  | A  | A  | A  | A  | A  | A | A | A | A | A | A | A | A | A | A |
| Reset 0x00000000 | 0  | 0     | 0        | 0     | 0                        | 0  | 0  | 0  | 0  | 0  | 0  | 0  | 0  | 0  | 0  | 0  | 0  | 0  | 0  | 0  | 0  | 0  | 0 | 0 | 0 | 0 | 0 | 0 | 0 | 0 | 0 |   |
| Id               | RW | Field | Value Id | Value | Description              |    |    |    |    |    |    |    |    |    |    |    |    |    |    |    |    |    |   |   |   |   |   |   |   |   |   |   |
| A                | RW | TEP   |          |       | Pointer to task register |    |    |    |    |    |    |    |    |    |    |    |    |    |    |    |    |    |   |   |   |   |   |   |   |   |   |   |

### 22.2.55 FORK[5].TEP

Address offset: 0x924

Channel 5 task end-point

| Bit number       | 31 | 30    | 29       | 28    | 27                       | 26 | 25 | 24 | 23 | 22 | 21 | 20 | 19 | 18 | 17 | 16 | 15 | 14 | 13 | 12 | 11 | 10 | 9 | 8 | 7 | 6 | 5 | 4 | 3 | 2 | 1 | 0 |
|------------------|----|-------|----------|-------|--------------------------|----|----|----|----|----|----|----|----|----|----|----|----|----|----|----|----|----|---|---|---|---|---|---|---|---|---|---|
| Id               | A  | A     | A        | A     | A                        | A  | A  | A  | A  | A  | A  | A  | A  | A  | A  | A  | A  | A  | A  | A  | A  | A  | A | A | A | A | A | A | A | A | A |   |
| Reset 0x00000000 | 0  | 0     | 0        | 0     | 0                        | 0  | 0  | 0  | 0  | 0  | 0  | 0  | 0  | 0  | 0  | 0  | 0  | 0  | 0  | 0  | 0  | 0  | 0 | 0 | 0 | 0 | 0 | 0 | 0 | 0 | 0 |   |
| Id               | RW | Field | Value Id | Value | Description              |    |    |    |    |    |    |    |    |    |    |    |    |    |    |    |    |    |   |   |   |   |   |   |   |   |   |   |
| A                | RW | TEP   |          |       | Pointer to task register |    |    |    |    |    |    |    |    |    |    |    |    |    |    |    |    |    |   |   |   |   |   |   |   |   |   |   |

### 22.2.56 FORK[6].TEP

Address offset: 0x928

Channel 6 task end-point

| Bit number       | 31 | 30    | 29       | 28    | 27                       | 26 | 25 | 24 | 23 | 22 | 21 | 20 | 19 | 18 | 17 | 16 | 15 | 14 | 13 | 12 | 11 | 10 | 9 | 8 | 7 | 6 | 5 | 4 | 3 | 2 | 1 | 0 |
|------------------|----|-------|----------|-------|--------------------------|----|----|----|----|----|----|----|----|----|----|----|----|----|----|----|----|----|---|---|---|---|---|---|---|---|---|---|
| Id               | A  | A     | A        | A     | A                        | A  | A  | A  | A  | A  | A  | A  | A  | A  | A  | A  | A  | A  | A  | A  | A  | A  | A | A | A | A | A | A | A | A | A |   |
| Reset 0x00000000 | 0  | 0     | 0        | 0     | 0                        | 0  | 0  | 0  | 0  | 0  | 0  | 0  | 0  | 0  | 0  | 0  | 0  | 0  | 0  | 0  | 0  | 0  | 0 | 0 | 0 | 0 | 0 | 0 | 0 | 0 | 0 |   |
| Id               | RW | Field | Value Id | Value | Description              |    |    |    |    |    |    |    |    |    |    |    |    |    |    |    |    |    |   |   |   |   |   |   |   |   |   |   |
| A                | RW | TEP   |          |       | Pointer to task register |    |    |    |    |    |    |    |    |    |    |    |    |    |    |    |    |    |   |   |   |   |   |   |   |   |   |   |

### 22.2.57 FORK[7].TEP

Address offset: 0x92C

Channel 7 task end-point

| Bit number       | 31 | 30    | 29       | 28    | 27                       | 26 | 25 | 24 | 23 | 22 | 21 | 20 | 19 | 18 | 17 | 16 | 15 | 14 | 13 | 12 | 11 | 10 | 9 | 8 | 7 | 6 | 5 | 4 | 3 | 2 | 1 | 0 |
|------------------|----|-------|----------|-------|--------------------------|----|----|----|----|----|----|----|----|----|----|----|----|----|----|----|----|----|---|---|---|---|---|---|---|---|---|---|
| Id               | A  | A     | A        | A     | A                        | A  | A  | A  | A  | A  | A  | A  | A  | A  | A  | A  | A  | A  | A  | A  | A  | A  | A | A | A | A | A | A | A | A | A |   |
| Reset 0x00000000 | 0  | 0     | 0        | 0     | 0                        | 0  | 0  | 0  | 0  | 0  | 0  | 0  | 0  | 0  | 0  | 0  | 0  | 0  | 0  | 0  | 0  | 0  | 0 | 0 | 0 | 0 | 0 | 0 | 0 | 0 | 0 |   |
| Id               | RW | Field | Value Id | Value | Description              |    |    |    |    |    |    |    |    |    |    |    |    |    |    |    |    |    |   |   |   |   |   |   |   |   |   |   |
| A                | RW | TEP   |          |       | Pointer to task register |    |    |    |    |    |    |    |    |    |    |    |    |    |    |    |    |    |   |   |   |   |   |   |   |   |   |   |

### 22.2.58 FORK[8].TEP

Address offset: 0x930

Channel 8 task end-point

| Bit number       | 31 | 30    | 29       | 28    | 27                       | 26 | 25 | 24 | 23 | 22 | 21 | 20 | 19 | 18 | 17 | 16 | 15 | 14 | 13 | 12 | 11 | 10 | 9 | 8 | 7 | 6 | 5 | 4 | 3 | 2 | 1 | 0 |
|------------------|----|-------|----------|-------|--------------------------|----|----|----|----|----|----|----|----|----|----|----|----|----|----|----|----|----|---|---|---|---|---|---|---|---|---|---|
| Id               | A  | A     | A        | A     | A                        | A  | A  | A  | A  | A  | A  | A  | A  | A  | A  | A  | A  | A  | A  | A  | A  | A  | A | A | A | A | A | A | A | A | A |   |
| Reset 0x00000000 | 0  | 0     | 0        | 0     | 0                        | 0  | 0  | 0  | 0  | 0  | 0  | 0  | 0  | 0  | 0  | 0  | 0  | 0  | 0  | 0  | 0  | 0  | 0 | 0 | 0 | 0 | 0 | 0 | 0 | 0 | 0 |   |
| Id               | RW | Field | Value Id | Value | Description              |    |    |    |    |    |    |    |    |    |    |    |    |    |    |    |    |    |   |   |   |   |   |   |   |   |   |   |
| A                | RW | TEP   |          |       | Pointer to task register |    |    |    |    |    |    |    |    |    |    |    |    |    |    |    |    |    |   |   |   |   |   |   |   |   |   |   |

### 22.2.59 FORK[9].TEP

Address offset: 0x934

Channel 9 task end-point

| Bit number       | 31 | 30    | 29       | 28    | 27                       | 26 | 25 | 24 | 23 | 22 | 21 | 20 | 19 | 18 | 17 | 16 | 15 | 14 | 13 | 12 | 11 | 10 | 9 | 8 | 7 | 6 | 5 | 4 | 3 | 2 | 1 | 0 |
|------------------|----|-------|----------|-------|--------------------------|----|----|----|----|----|----|----|----|----|----|----|----|----|----|----|----|----|---|---|---|---|---|---|---|---|---|---|
| Id               | A  | A     | A        | A     | A                        | A  | A  | A  | A  | A  | A  | A  | A  | A  | A  | A  | A  | A  | A  | A  | A  | A  | A | A | A | A | A | A | A | A | A |   |
| Reset 0x00000000 | 0  | 0     | 0        | 0     | 0                        | 0  | 0  | 0  | 0  | 0  | 0  | 0  | 0  | 0  | 0  | 0  | 0  | 0  | 0  | 0  | 0  | 0  | 0 | 0 | 0 | 0 | 0 | 0 | 0 | 0 | 0 |   |
| Id               | RW | Field | Value Id | Value | Description              |    |    |    |    |    |    |    |    |    |    |    |    |    |    |    |    |    |   |   |   |   |   |   |   |   |   |   |
| A                | RW | TEP   |          |       | Pointer to task register |    |    |    |    |    |    |    |    |    |    |    |    |    |    |    |    |    |   |   |   |   |   |   |   |   |   |   |

### 22.2.60 FORK[10].TEP

Address offset: 0x938

Channel 10 task end-point

| Bit number       | 31 | 30    | 29    | 28 | 27    | 26                       | 25 | 24 | 23 | 22 | 21 | 20 | 19 | 18 | 17 | 16 | 15 | 14 | 13 | 12 | 11 | 10 | 9 | 8 | 7 | 6 | 5 | 4 | 3 | 2 | 1 | 0 |
|------------------|----|-------|-------|----|-------|--------------------------|----|----|----|----|----|----|----|----|----|----|----|----|----|----|----|----|---|---|---|---|---|---|---|---|---|---|
| Id               | A  | A     | A     | A  | A     | A                        | A  | A  | A  | A  | A  | A  | A  | A  | A  | A  | A  | A  | A  | A  | A  | A  | A | A | A | A | A | A | A | A | A | A |
| Reset 0x00000000 | 0  | 0     | 0     | 0  | 0     | 0                        | 0  | 0  | 0  | 0  | 0  | 0  | 0  | 0  | 0  | 0  | 0  | 0  | 0  | 0  | 0  | 0  | 0 | 0 | 0 | 0 | 0 | 0 | 0 | 0 | 0 | 0 |
| Id               | RW | Field | Value | Id | Value | Description              |    |    |    |    |    |    |    |    |    |    |    |    |    |    |    |    |   |   |   |   |   |   |   |   |   |   |
| A                | RW | TEP   |       |    |       | Pointer to task register |    |    |    |    |    |    |    |    |    |    |    |    |    |    |    |    |   |   |   |   |   |   |   |   |   |   |

### 22.2.61 FORK[11].TEP

Address offset: 0x93C

Channel 11 task end-point

| Bit number       | 31 | 30    | 29    | 28 | 27    | 26                       | 25 | 24 | 23 | 22 | 21 | 20 | 19 | 18 | 17 | 16 | 15 | 14 | 13 | 12 | 11 | 10 | 9 | 8 | 7 | 6 | 5 | 4 | 3 | 2 | 1 | 0 |
|------------------|----|-------|-------|----|-------|--------------------------|----|----|----|----|----|----|----|----|----|----|----|----|----|----|----|----|---|---|---|---|---|---|---|---|---|---|
| Id               | A  | A     | A     | A  | A     | A                        | A  | A  | A  | A  | A  | A  | A  | A  | A  | A  | A  | A  | A  | A  | A  | A  | A | A | A | A | A | A | A | A | A |   |
| Reset 0x00000000 | 0  | 0     | 0     | 0  | 0     | 0                        | 0  | 0  | 0  | 0  | 0  | 0  | 0  | 0  | 0  | 0  | 0  | 0  | 0  | 0  | 0  | 0  | 0 | 0 | 0 | 0 | 0 | 0 | 0 | 0 | 0 |   |
| Id               | RW | Field | Value | Id | Value | Description              |    |    |    |    |    |    |    |    |    |    |    |    |    |    |    |    |   |   |   |   |   |   |   |   |   |   |
| A                | RW | TEP   |       |    |       | Pointer to task register |    |    |    |    |    |    |    |    |    |    |    |    |    |    |    |    |   |   |   |   |   |   |   |   |   |   |

### 22.2.62 FORK[12].TEP

Address offset: 0x940

Channel 12 task end-point

| Bit number       | 31 | 30    | 29    | 28 | 27    | 26                       | 25 | 24 | 23 | 22 | 21 | 20 | 19 | 18 | 17 | 16 | 15 | 14 | 13 | 12 | 11 | 10 | 9 | 8 | 7 | 6 | 5 | 4 | 3 | 2 | 1 | 0 |
|------------------|----|-------|-------|----|-------|--------------------------|----|----|----|----|----|----|----|----|----|----|----|----|----|----|----|----|---|---|---|---|---|---|---|---|---|---|
| Id               | A  | A     | A     | A  | A     | A                        | A  | A  | A  | A  | A  | A  | A  | A  | A  | A  | A  | A  | A  | A  | A  | A  | A | A | A | A | A | A | A | A | A |   |
| Reset 0x00000000 | 0  | 0     | 0     | 0  | 0     | 0                        | 0  | 0  | 0  | 0  | 0  | 0  | 0  | 0  | 0  | 0  | 0  | 0  | 0  | 0  | 0  | 0  | 0 | 0 | 0 | 0 | 0 | 0 | 0 | 0 | 0 |   |
| Id               | RW | Field | Value | Id | Value | Description              |    |    |    |    |    |    |    |    |    |    |    |    |    |    |    |    |   |   |   |   |   |   |   |   |   |   |
| A                | RW | TEP   |       |    |       | Pointer to task register |    |    |    |    |    |    |    |    |    |    |    |    |    |    |    |    |   |   |   |   |   |   |   |   |   |   |

### 22.2.63 FORK[13].TEP

Address offset: 0x944

Channel 13 task end-point

| Bit number       | 31 | 30    | 29    | 28 | 27    | 26                       | 25 | 24 | 23 | 22 | 21 | 20 | 19 | 18 | 17 | 16 | 15 | 14 | 13 | 12 | 11 | 10 | 9 | 8 | 7 | 6 | 5 | 4 | 3 | 2 | 1 | 0 |
|------------------|----|-------|-------|----|-------|--------------------------|----|----|----|----|----|----|----|----|----|----|----|----|----|----|----|----|---|---|---|---|---|---|---|---|---|---|
| Id               | A  | A     | A     | A  | A     | A                        | A  | A  | A  | A  | A  | A  | A  | A  | A  | A  | A  | A  | A  | A  | A  | A  | A | A | A | A | A | A | A | A | A |   |
| Reset 0x00000000 | 0  | 0     | 0     | 0  | 0     | 0                        | 0  | 0  | 0  | 0  | 0  | 0  | 0  | 0  | 0  | 0  | 0  | 0  | 0  | 0  | 0  | 0  | 0 | 0 | 0 | 0 | 0 | 0 | 0 | 0 | 0 |   |
| Id               | RW | Field | Value | Id | Value | Description              |    |    |    |    |    |    |    |    |    |    |    |    |    |    |    |    |   |   |   |   |   |   |   |   |   |   |
| A                | RW | TEP   |       |    |       | Pointer to task register |    |    |    |    |    |    |    |    |    |    |    |    |    |    |    |    |   |   |   |   |   |   |   |   |   |   |

### 22.2.64 FORK[14].TEP

Address offset: 0x948

Channel 14 task end-point

| Bit number       | 31 | 30    | 29    | 28 | 27    | 26                       | 25 | 24 | 23 | 22 | 21 | 20 | 19 | 18 | 17 | 16 | 15 | 14 | 13 | 12 | 11 | 10 | 9 | 8 | 7 | 6 | 5 | 4 | 3 | 2 | 1 | 0 |
|------------------|----|-------|-------|----|-------|--------------------------|----|----|----|----|----|----|----|----|----|----|----|----|----|----|----|----|---|---|---|---|---|---|---|---|---|---|
| Id               | A  | A     | A     | A  | A     | A                        | A  | A  | A  | A  | A  | A  | A  | A  | A  | A  | A  | A  | A  | A  | A  | A  | A | A | A | A | A | A | A | A | A |   |
| Reset 0x00000000 | 0  | 0     | 0     | 0  | 0     | 0                        | 0  | 0  | 0  | 0  | 0  | 0  | 0  | 0  | 0  | 0  | 0  | 0  | 0  | 0  | 0  | 0  | 0 | 0 | 0 | 0 | 0 | 0 | 0 | 0 | 0 |   |
| Id               | RW | Field | Value | Id | Value | Description              |    |    |    |    |    |    |    |    |    |    |    |    |    |    |    |    |   |   |   |   |   |   |   |   |   |   |
| A                | RW | TEP   |       |    |       | Pointer to task register |    |    |    |    |    |    |    |    |    |    |    |    |    |    |    |    |   |   |   |   |   |   |   |   |   |   |

### 22.2.65 FORK[15].TEP

Address offset: 0x94C

Channel 15 task end-point





### 22.2.71 FORK[21].TEP

Address offset: 0x964

Channel 21 task end-point

| Bit number       | 31 | 30    | 29    | 28 | 27    | 26                       | 25 | 24 | 23 | 22 | 21 | 20 | 19 | 18 | 17 | 16 | 15 | 14 | 13 | 12 | 11 | 10 | 9 | 8 | 7 | 6 | 5 | 4 | 3 | 2 | 1 | 0 |   |
|------------------|----|-------|-------|----|-------|--------------------------|----|----|----|----|----|----|----|----|----|----|----|----|----|----|----|----|---|---|---|---|---|---|---|---|---|---|---|
| Id               | A  | A     | A     | A  | A     | A                        | A  | A  | A  | A  | A  | A  | A  | A  | A  | A  | A  | A  | A  | A  | A  | A  | A | A | A | A | A | A | A | A | A | A | A |
| Reset 0x00000000 | 0  | 0     | 0     | 0  | 0     | 0                        | 0  | 0  | 0  | 0  | 0  | 0  | 0  | 0  | 0  | 0  | 0  | 0  | 0  | 0  | 0  | 0  | 0 | 0 | 0 | 0 | 0 | 0 | 0 | 0 | 0 | 0 |   |
| Id               | RW | Field | Value | Id | Value | Description              |    |    |    |    |    |    |    |    |    |    |    |    |    |    |    |    |   |   |   |   |   |   |   |   |   |   |   |
| A                | RW | TEP   |       |    |       | Pointer to task register |    |    |    |    |    |    |    |    |    |    |    |    |    |    |    |    |   |   |   |   |   |   |   |   |   |   |   |

### 22.2.72 FORK[22].TEP

Address offset: 0x968

Channel 22 task end-point

| Bit number       | 31 | 30    | 29    | 28 | 27    | 26                       | 25 | 24 | 23 | 22 | 21 | 20 | 19 | 18 | 17 | 16 | 15 | 14 | 13 | 12 | 11 | 10 | 9 | 8 | 7 | 6 | 5 | 4 | 3 | 2 | 1 | 0 |
|------------------|----|-------|-------|----|-------|--------------------------|----|----|----|----|----|----|----|----|----|----|----|----|----|----|----|----|---|---|---|---|---|---|---|---|---|---|
| Id               | A  | A     | A     | A  | A     | A                        | A  | A  | A  | A  | A  | A  | A  | A  | A  | A  | A  | A  | A  | A  | A  | A  | A | A | A | A | A | A | A | A | A | A |
| Reset 0x00000000 | 0  | 0     | 0     | 0  | 0     | 0                        | 0  | 0  | 0  | 0  | 0  | 0  | 0  | 0  | 0  | 0  | 0  | 0  | 0  | 0  | 0  | 0  | 0 | 0 | 0 | 0 | 0 | 0 | 0 | 0 | 0 |   |
| Id               | RW | Field | Value | Id | Value | Description              |    |    |    |    |    |    |    |    |    |    |    |    |    |    |    |    |   |   |   |   |   |   |   |   |   |   |
| A                | RW | TEP   |       |    |       | Pointer to task register |    |    |    |    |    |    |    |    |    |    |    |    |    |    |    |    |   |   |   |   |   |   |   |   |   |   |

### 22.2.73 FORK[23].TEP

Address offset: 0x96C

Channel 23 task end-point

| Bit number       | 31 | 30    | 29    | 28 | 27    | 26                       | 25 | 24 | 23 | 22 | 21 | 20 | 19 | 18 | 17 | 16 | 15 | 14 | 13 | 12 | 11 | 10 | 9 | 8 | 7 | 6 | 5 | 4 | 3 | 2 | 1 | 0 |
|------------------|----|-------|-------|----|-------|--------------------------|----|----|----|----|----|----|----|----|----|----|----|----|----|----|----|----|---|---|---|---|---|---|---|---|---|---|
| Id               | A  | A     | A     | A  | A     | A                        | A  | A  | A  | A  | A  | A  | A  | A  | A  | A  | A  | A  | A  | A  | A  | A  | A | A | A | A | A | A | A | A | A | A |
| Reset 0x00000000 | 0  | 0     | 0     | 0  | 0     | 0                        | 0  | 0  | 0  | 0  | 0  | 0  | 0  | 0  | 0  | 0  | 0  | 0  | 0  | 0  | 0  | 0  | 0 | 0 | 0 | 0 | 0 | 0 | 0 | 0 | 0 |   |
| Id               | RW | Field | Value | Id | Value | Description              |    |    |    |    |    |    |    |    |    |    |    |    |    |    |    |    |   |   |   |   |   |   |   |   |   |   |
| A                | RW | TEP   |       |    |       | Pointer to task register |    |    |    |    |    |    |    |    |    |    |    |    |    |    |    |    |   |   |   |   |   |   |   |   |   |   |

### 22.2.74 FORK[24].TEP

Address offset: 0x970

Channel 24 task end-point

| Bit number       | 31 | 30    | 29    | 28 | 27    | 26                       | 25 | 24 | 23 | 22 | 21 | 20 | 19 | 18 | 17 | 16 | 15 | 14 | 13 | 12 | 11 | 10 | 9 | 8 | 7 | 6 | 5 | 4 | 3 | 2 | 1 | 0 |
|------------------|----|-------|-------|----|-------|--------------------------|----|----|----|----|----|----|----|----|----|----|----|----|----|----|----|----|---|---|---|---|---|---|---|---|---|---|
| Id               | A  | A     | A     | A  | A     | A                        | A  | A  | A  | A  | A  | A  | A  | A  | A  | A  | A  | A  | A  | A  | A  | A  | A | A | A | A | A | A | A | A | A | A |
| Reset 0x00000000 | 0  | 0     | 0     | 0  | 0     | 0                        | 0  | 0  | 0  | 0  | 0  | 0  | 0  | 0  | 0  | 0  | 0  | 0  | 0  | 0  | 0  | 0  | 0 | 0 | 0 | 0 | 0 | 0 | 0 | 0 | 0 |   |
| Id               | RW | Field | Value | Id | Value | Description              |    |    |    |    |    |    |    |    |    |    |    |    |    |    |    |    |   |   |   |   |   |   |   |   |   |   |
| A                | RW | TEP   |       |    |       | Pointer to task register |    |    |    |    |    |    |    |    |    |    |    |    |    |    |    |    |   |   |   |   |   |   |   |   |   |   |

### 22.2.75 FORK[25].TEP

Address offset: 0x974

Channel 25 task end-point

| Bit number       | 31 | 30    | 29    | 28 | 27    | 26                       | 25 | 24 | 23 | 22 | 21 | 20 | 19 | 18 | 17 | 16 | 15 | 14 | 13 | 12 | 11 | 10 | 9 | 8 | 7 | 6 | 5 | 4 | 3 | 2 | 1 | 0 |
|------------------|----|-------|-------|----|-------|--------------------------|----|----|----|----|----|----|----|----|----|----|----|----|----|----|----|----|---|---|---|---|---|---|---|---|---|---|
| Id               | A  | A     | A     | A  | A     | A                        | A  | A  | A  | A  | A  | A  | A  | A  | A  | A  | A  | A  | A  | A  | A  | A  | A | A | A | A | A | A | A | A | A | A |
| Reset 0x00000000 | 0  | 0     | 0     | 0  | 0     | 0                        | 0  | 0  | 0  | 0  | 0  | 0  | 0  | 0  | 0  | 0  | 0  | 0  | 0  | 0  | 0  | 0  | 0 | 0 | 0 | 0 | 0 | 0 | 0 | 0 | 0 |   |
| Id               | RW | Field | Value | Id | Value | Description              |    |    |    |    |    |    |    |    |    |    |    |    |    |    |    |    |   |   |   |   |   |   |   |   |   |   |
| A                | RW | TEP   |       |    |       | Pointer to task register |    |    |    |    |    |    |    |    |    |    |    |    |    |    |    |    |   |   |   |   |   |   |   |   |   |   |

### 22.2.76 FORK[26].TEP

Address offset: 0x978

Channel 26 task end-point





## 23 RADIO — 2.4 GHz Radio

The RADIO contains a 2.4 GHz radio receiver and a 2.4 GHz radio transmitter that is compatible with Nordic's proprietary 1 Mbps and 2 Mbps radio modes in addition to 1 Mbps and 2 Mbps *Bluetooth*® low energy mode.

EasyDMA in combination with an automated packet assembler and packet disassembler, and an automated CRC generator and CRC checker, makes it very easy to configure and use the RADIO. See [Figure 29: RADIO block diagram](#) on page 205 for details.



**Figure 29: RADIO block diagram**

The RADIO includes a Device Address Match unit and an interframe spacing control unit that can be utilized to simplify address white listing and interframe spacing respectively, in *Bluetooth* Smart and similar applications.

The RADIO also includes a Received Signal Strength Indicator (RSSI) and a bit counter. The bit counter generates events when a preconfigured number of bits have been sent or received by the RADIO.

### 23.1 EasyDMA

The RADIO use EasyDMA for reading and writing of data packets from and to the RAM without CPU involvement.

As illustrated in [Figure 29: RADIO block diagram](#) on page 205, the RADIO's EasyDMA utilizes the same PACKETPTR for receiving and transmitting packets. The CPU should reconfigure this pointer every time before the RADIO is started via the START task.

The structure of a radio packet is described in detail in [Packet configuration](#) on page 206. The data that is stored in Data RAM and transported by EasyDMA consists of S0, LENGTH, S1, the payload itself, and a static add-on sent immediately after the payload.

The size of each of the above elements in the frame is configurable (see [Packet configuration](#) on page 206), and the space occupied in RAM depends on these settings. A size of zero is possible for any of the fields, it is up to the user to make sure that the resulting frame complies with the RF protocol chosen.

For the field sizes defined in bits, the occupation in RAM will always be rounded up to the next full byte size (for instance 3 bit length will allocate 1 byte in RAM, 9 bit length will allocate 2 bytes, etc.).

In addition, the S0INCL field in PCNF0 determines if S0 is present in RAM at all if its length is zero. If present, one byte is allocated in RAM.

The size of S0 is configured through the S0LEN field in PCNF0. The size of LENGTH is configured through the LFLEN field in PCNF0. The size of S1 is configured through the S1LEN field in PCNF0. The size of the payload is configured through the value in RAM corresponding to the LENGTH field. The size of the static add-on to the payload is configured through the STATLEN field in PCNF1.

The MAXLEN field in the PCNF1 register configures the maximum packet payload plus add-on size in number of bytes that can be transmitted or received by the RADIO. This feature can be used to ensure that the RADIO does not overwrite, or read beyond, the RAM assigned to the packet payload. This means that if the packet payload length defined by PCNF1.STATLEN and the LENGTH field in the packet specifies a packet larger than MAXLEN, the payload will be truncated at MAXLEN.

Note that MAXLEN includes the payload and the add-on, but excludes the size occupied by the S0, LENGTH and S1 fields. This has to be taken into account when allocating RAM.

If the payload plus add-on length is specified larger than MAXLEN, the RADIO will still transmit or receive in the same way as before except the payload is now truncated to MAXLEN. The packet's LENGTH field will not be altered when the payload is truncated. The RADIO will calculate CRC as if the packet length is equal to MAXLEN.

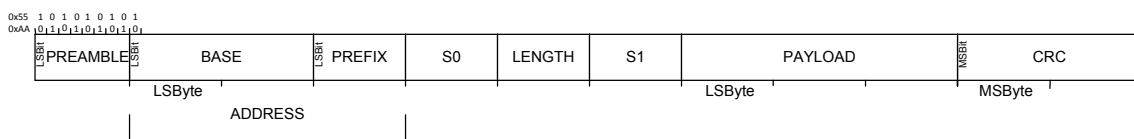
If the PACKETPTR is not pointing to the Data RAM region, an EasyDMA transfer may result in a HardFault or RAM corruption. See [Memory](#) on page 23 for more information about the different memory regions.

The DISABLED event indicates that the EasyDMA has finished accessing the RAM.

## 23.2 Packet configuration

A Radio packet contains the following fields: PREAMBLE, ADDRESS, S0, LENGTH, S1, PAYLOAD and CRC.

See [Figure 30: On-air packet layout](#) on page 206. Not shown in the figure is the static payload add-on (the length of which is defined in STATLEN, and which is 0 bytes long in a standard BLE packet), and would be sent between PAYLOAD and CRC. The Radio sends the different fields in the packet in the order they are illustrated below, from left to right. The preamble will be sent least significant bit first on-air.



**Figure 30: On-air packet layout**

For all modes, except for 2 Mbit/s Bluetooth Low Energy mode, the preamble is one byte long. For 2 Mbit/s Bluetooth Low Energy mode the preamble is 2 bytes long. If the first bit of the ADDRESS is 0 the preamble will be set to 0xAA otherwise the PREAMBLE will be set to 0x55.

Radio packets are stored in memory inside instances of a radio packet data structure as illustrated in [Figure 31: In-RAM representation of radio packet, S0, LENGTH and S1 are optional](#) on page 206. The PREAMBLE, ADDRESS and CRC fields are omitted in this data structure.



**Figure 31: In-RAM representation of radio packet, S0, LENGTH and S1 are optional**

The byte ordering on air is always Least Significant Byte First for the ADDRESS and PAYLOAD fields and Most Significant Byte First for the CRC field. The ADDRESS fields are always transmitted and received least significant bit first on-air. The CRC field is always transmitted and received Most Significant Bit first. The bit-endian, i.e. which order the bits are sent and received in, of the S0, LENGTH, S1 and PAYLOAD fields can be configured via the ENDIAN in PCNF1.

The S0INCL field in PCNF0 determines if S0 is present in RAM at all if its length is zero. If present, one byte is allocated in RAM.

The sizes of the S0, LENGTH and S1 fields can be individually configured via S0LEN, LFLEN and S1LEN in PCNF0 respectively. If any of these fields are configured to be less than 8 bit long the, the least significant bits of the fields, as seen from the RAM representation, are used.

If S0, LENGTH or S1 are specified with zero length their fields will be omitted in memory, otherwise each field will be represented as a separate byte, regardless of the number of bits in their on-air counterpart.

### 23.3 Maximum packet length

Independent of the configuration of MAXLEN, the combined length of S0, LENGTH, S1 and PAYLOAD cannot exceed 258 bytes.

### 23.4 Address configuration

The on-air radio ADDRESS field is composed of two parts, the base address field and the address prefix field.

The size of the base address field is configurable via BALEN in PCNF1. The base address is truncated from LSByte if the BALEN is less than 4. See [Table 38: Definition of logical addresses](#) on page 207.

The on-air addresses are defined in the BASEn and PREFIXn registers, and it is only when writing these registers the user will have to relate to actual on-air addresses. For other radio address registers such as the TXADDRESS, RXADDRESSES and RXMATCH registers, logical radio addresses ranging from 0 to 7 are being used. The relationship between the on-air radio addresses and the logical addresses is described in [Table 38: Definition of logical addresses](#) on page 207.

**Table 38: Definition of logical addresses**

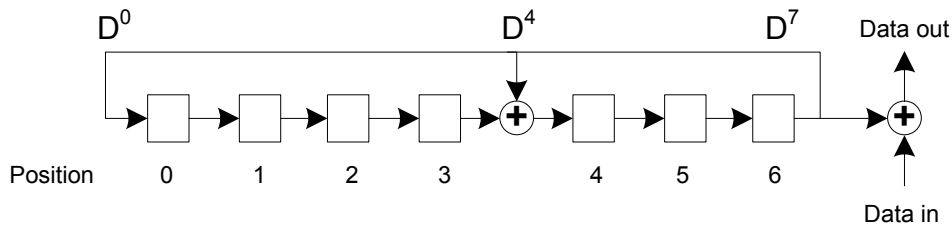
| Logical address | Base address | Prefix byte |
|-----------------|--------------|-------------|
| 0               | BASE0        | PREFIX0.AP0 |
| 1               | BASE1        | PREFIX0.AP1 |
| 2               | BASE1        | PREFIX0.AP2 |
| 3               | BASE1        | PREFIX0.AP3 |
| 4               | BASE1        | PREFIX1.AP4 |
| 5               | BASE1        | PREFIX1.AP5 |
| 6               | BASE1        | PREFIX1.AP6 |
| 7               | BASE1        | PREFIX1.AP7 |

### 23.5 Data whitening

The RADIO is able to do packet whitening and de-whitening.

See WHITEEN in PCNF1 register for how to enable whitening. When enabled, whitening and de-whitening will be handled by the RADIO automatically as packets are sent and received.

The whitening word is generated using polynomial  $g(D) = D^7 + D^4 + 1$ , which then is XORed with the data packet that is to be whitened, or de-whitened. See the figure below.



**Figure 32: Data whitening and de-whitening**

Whitening and de-whitening will be performed over the whole packet (except for the preamble and the address field).

The linear feedback shift register, illustrated in [Figure 32: Data whitening and de-whitening](#) on page 208 can be initialised via the DATAWHITEIV register.

## 23.6 CRC

The CRC generator in the RADIO calculates the CRC over the whole packet excluding the preamble. If desirable, the address field can be excluded from the CRC calculation as well

See CRCCNF register for more information.

The CRC polynomial is configurable as illustrated in [Figure 33: CRC generation of an n bit CRC](#) on page 208 where bit 0 in the CRCPOLY register corresponds to  $X^0$  and bit 1 corresponds to  $X^1$  etc. See CRCPOLY for more information.



**Figure 33: CRC generation of an n bit CRC**

As illustrated in [Figure 33: CRC generation of an n bit CRC](#) on page 208, the CRC is calculated by feeding the packet serially through the CRC generator. Before the packet is clocked through the CRC generator, the CRC generator's latches  $b_0$  through  $b_n$  will be initialized with a predefined value specified in the CRCINIT register. When the whole packet is clocked through the CRC generator, latches  $b_0$  through  $b_n$  will hold the resulting CRC. This value will be used by the RADIO during both transmission and reception but it is not available to be read by the CPU at any time. A received CRC can however be read by the CPU via the RXCRC register independent of whether or not it has passed the CRC check.

The length ( $n$ ) of the CRC is configurable, see CRCCNF for more information.

After the whole packet including the CRC has been received, the RADIO will generate a CRCOK event if no CRC errors were detected, or alternatively generate a CRCERROR event if CRC errors were detected.



The status of the CRC check can be read from the CRCSTATUS register after a packet has been received.

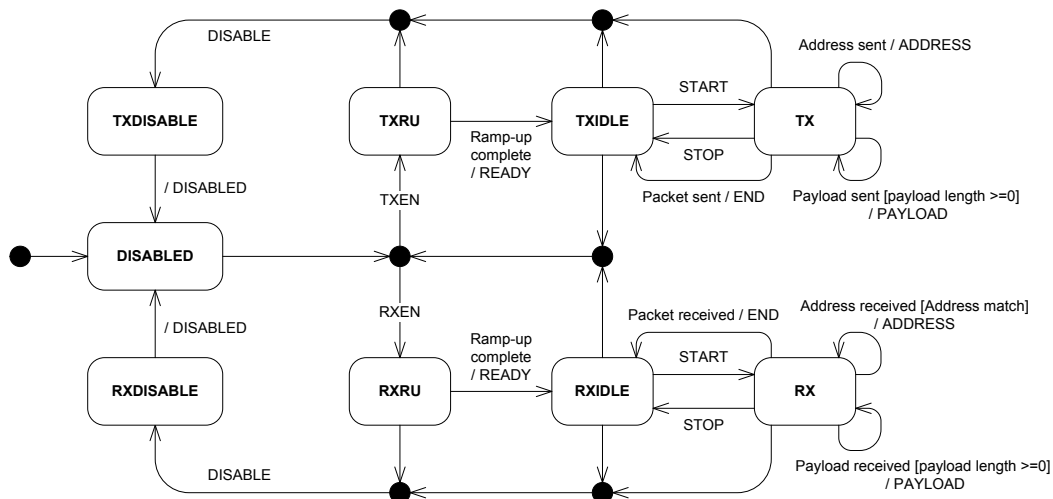
### 23.7 Radio states

The RADIO can enter a number of states.

The RADIO can enter the states described the table below. An overview state diagram for the RADIO is illustrated in *Figure 34: Radio states* on page 209. This figure shows how the tasks and events relate to the RADIO's operation. The RADIO does not prevent a task from being triggered from the wrong state. If a task is triggered from the wrong state, for example if the RXEN task is triggered from the RXDISABLE state, this may lead to incorrect behaviour. As illustrated in *Figure 34: Radio states* on page 209, the PAYLOAD event is always generated even if the payload is zero.

**Table 39: RADIO state diagram**

| State     | Description  |
|-----------|--|
| DISABLED  | No operations are going on inside the radio and the power consumption is at a minimum                |
| RXRU      | The radio is ramping up and preparing for reception  |
| RXIDLE    | The radio is ready for reception to start  |
| RX        | Reception has been started and the addresses enabled in the RXADDRESSES register are being monitored |
| TXRU      | The radio is ramping up and preparing for transmission   |
| TXIDLE    | The radio is ready for transmission to start   |
| TX        | The radio is transmitting a packet   |
| RXDISABLE | The radio is disabling the receiver  |
| TXDISABLE | The radio is disabling the transmitter   |



**Figure 34: Radio states**

### 23.8 Transmit sequence

Before the RADIO is able to transmit a packet, it must first ramp-up in TX mode.

See TXRU in *Figure 34: Radio states* on page 209 and *Figure 35: Transmit sequence* on page 210.

A TXRU ramp-up sequence is initiated when the TXEN task is triggered. After the radio has successfully ramped up it will generate the READY event indicating that a packet transmission can be initiate. A packet transmission is initiated by triggering the START task. As illustrated in *Figure 34: Radio states* on page 209 the START task can first be triggered after the RADIO has entered into the TXIDLE state.

*Figure 35: Transmit sequence* on page 210 illustrates a single packet transmission where the CPU manually triggers the different tasks needed to control the flow of the RADIO, i.e. no shortcuts are used. If shortcuts are not used, a certain amount of delay caused by CPU execution is expected between READY and START, and between END and DISABLE. As illustrated in *Figure 35: Transmit sequence* on page 210

the RADIO will by default transmit '1's between READY and START, and between END and DISABLED. What is transmitted can be programmed through the DTX field in the MODECNF0 register.



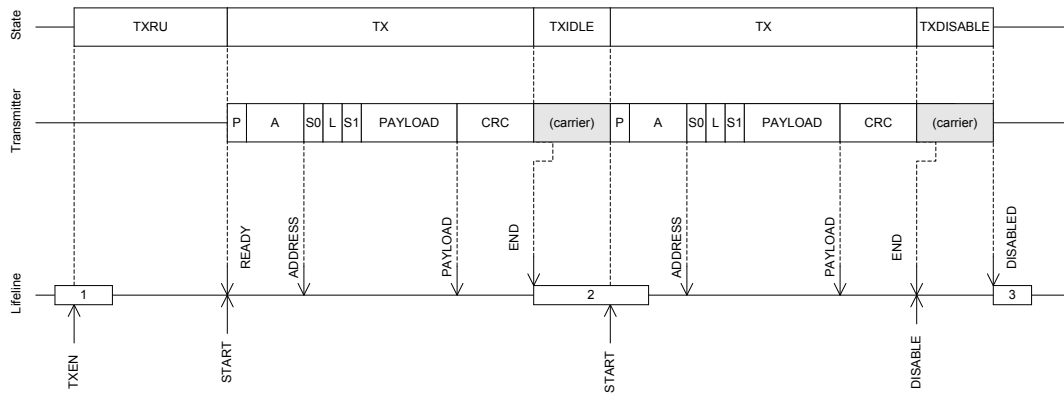
**Figure 35: Transmit sequence**

A slightly modified version of the transmit sequence from [Figure 35: Transmit sequence](#) on page 210 is illustrated in [Figure 36: Transmit sequence using shortcuts to avoid delays](#) on page 210 where the RADIO is configured to use shortcuts between READY and START, and between END and DISABLE, which means that no delay is introduced.



**Figure 36: Transmit sequence using shortcuts to avoid delays**

The RADIO is able to send multiple packets one after the other without having to disable and re-enable the RADIO between packets, this is illustrated in [Figure 37: Transmission of multiple packets](#) on page 211.



**Figure 37: Transmission of multiple packets**

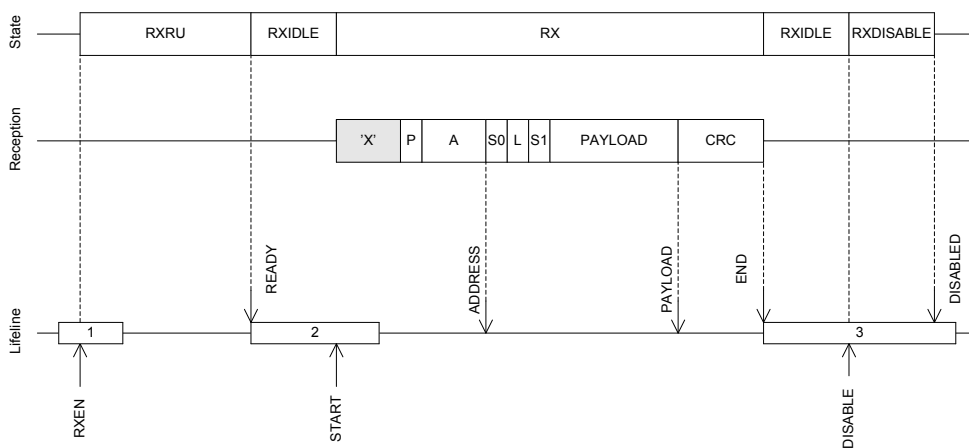
## 23.9 Receive sequence

Before the RADIO is able to receive a packet, it must first ramp up in RX mode

See RXRU in [Figure 34: Radio states](#) on page 209 and [Figure 38: Receive sequence](#) on page 211.

An RXRU ramp-up sequence is initiated when the RXEN task is triggered. After the radio has successfully ramped up it will generate the READY event indicating that a packet reception can be initiated. A packet reception is initiated by triggering the START task. As illustrated in [Figure 34: Radio states](#) on page 209 the START task can, first be triggered after the RADIO has entered into the RXIDLE state.

[Figure 38: Receive sequence](#) on page 211 illustrates a single packet reception where the CPU manually triggers the different tasks needed to control the flow of the RADIO, i.e. no shortcuts are used. If shortcuts are not used, a certain amount of delay, caused by CPU execution, is expected between READY and START, and between END and DISABLE. As illustrated [Figure 38: Receive sequence](#) on page 211 the RADIO will be listening and possibly receiving undefined data, illustrated with an 'X', from START and until a packet with valid preamble (P) is received.



**Figure 38: Receive sequence**

A slightly modified version of the receive sequence from [Figure 38: Receive sequence](#) on page 211 is illustrated in [Figure 39: Receive sequence using shortcuts to avoid delays](#) on page 212 where the the RADIO is configured to use shortcuts between READY and START, and between END and DISABLE, which means that no delay is introduced.



**Figure 39: Receive sequence using shortcuts to avoid delays**

The RADIO is able to receive multiple packets one after the other without having to disable and re-enable the RADIO between packets, this is illustrated [Figure 40: Reception of multiple packets](#) on page 212.



**Figure 40: Reception of multiple packets**

### 23.10 Received Signal Strength Indicator (RSSI)

The radio implements a mechanism for measuring the power in the received radio signal. This feature is called Received Signal Strength Indicator (RSSI).

Sampling of the received signal strength is started by using the RSSI<sub>START</sub> task. The sample can be read from the RSSI<sub>SAMPLE</sub> register.

The sample period of the RSSI is defined by RSSI<sub>PERIOD</sub>, see the device product specification for details. The RSSI sample will hold the average received signal strength during this sample period.

For the RSSI sample to be valid the radio has to be enabled in receive mode (RXEN task) and the reception has to be started (READY event followed by START task).

### 23.11 Interframe spacing

Interframe spacing is the time interval between two consecutive packets.

It is defined as the time, in micro seconds, from the end of the last bit of the previous packet received and to the start of the first bit of the subsequent packet that is transmitted. The RADIO is able to enforce this

interval as specified in the TIFS register as long as TIFS is not specified to be shorter than the RADIO's turn-around time, i.e. the time needed to switch off the receiver, and switch back on the transmitter.

TIFS is only enforced if `END_DISABLE` and `DISABLED_TXEN` or `END_DISABLE` and `DISABLED_RXEN` shortcuts are enabled. TIFS is only qualified for use in `BLE_1MBIT` mode, and default ramp-up mode.

## 23.12 Device address match

The device address match feature is tailored for address white listing in a Bluetooth Smart and similar implementations.

This feature enables on-the-fly device address matching while receiving a packet on air. This feature only works in receive mode and as long as RADIO is configured for little endian, see `PCNF1.ENDIAN`.

The Device Address match unit assumes that the 48 first bits of the payload is the device address and that bit number 6 in `S0` is the `TxAdd` bit. See the Bluetooth Core Specification for more information about device addresses, `TxAdd` and whitelisting.

The RADIO is able to listen for eight different device addresses at the same time. These addresses are specified in a `DAB/DAP` register pair, one pair per address, in addition to a `TxAdd` bit configured in the `DACNF` register. The `DAB` register specifies the 32 least significant bits of the device address, while the `DAP` register specifies the 16 most significant bits of the device address.

Each of the device addresses can be individually included or excluded from the matching mechanism. This is configured in the `DACNF` register.

## 23.13 Bit counter

The RADIO implements a simple counter that can be configured to generate an event after a specific number of bits have been transmitted or received.

By using shortcuts, this counter can be started from different events generated by the RADIO and hence count relative to these.

The bit counter is started by triggering the `BCSTART` task, and stopped by triggering the `BCSTOP` task. A `BCMATCH` event will be generated when the bit counter has counted the number of bits specified in the `BCC` register. The bit counter will continue to count bits until the `DISABLED` event is generated or until the `BCSTOP` task is triggered. The CPU can therefore, after a `BCMATCH` event, reconfigure the `BCC` value for new `BCMATCH` events within the same packet.

The bit counter can only be started after the RADIO has received the `ADDRESS` event.

The bit counter will stop and reset on `BCSTOP`, `STOP`, `END` and `DISABLE` tasks.

The figure below illustrates how the bit counter can be used to generate a `BCMATCH` event in the beginning of the packet payload, and again generate a second `BCMATCH` event after sending 2 bytes (16 bits) of the payload.

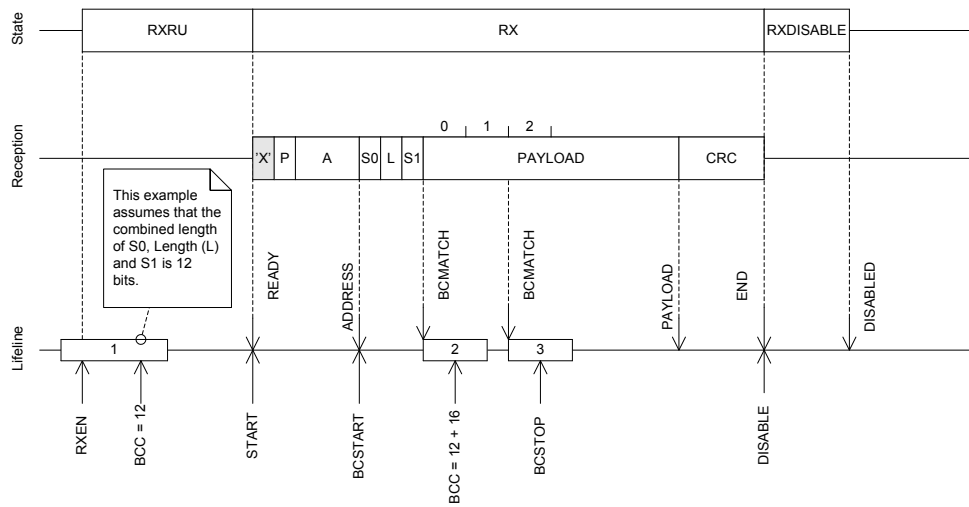


Figure 41: Bit counter example

## 23.14 Registers

Table 40: Instances

| Base address | Peripheral | Instance | Description   | Configuration |
|--------------|------------|----------|---------------|---------------|
| 0x40001000   | RADIO      | RADIO    | 2.4 GHz radio |               |

Table 41: Register Overview

| Register        | Offset | Description   |
|-----------------|--------|---|
| TASKS_TXEN      | 0x000  | Enable RADIO in TX mode   |
| TASKS_RXEN      | 0x004  | Enable RADIO in RX mode   |
| TASKS_START     | 0x008  | Start RADIO   |
| TASKS_STOP      | 0x00C  | Stop RADIO  |
| TASKS_DISABLE   | 0x010  | Disable RADIO   |
| TASKS_RSSISTART | 0x014  | Start the RSSI and take one single sample of the receive signal strength. |
| TASKS_RSSISTOP  | 0x018  | Stop the RSSI measurement   |
| TASKS_BCSTART   | 0x01C  | Start the bit counter   |
| TASKS_BCSTOP    | 0x020  | Stop the bit counter  |
| EVENTS_READY    | 0x100  | RADIO has ramped up and is ready to be started                            |
| EVENTS_ADDRESS  | 0x104  | Address sent or received  |
| EVENTS_PAYLOAD  | 0x108  | Packet payload sent or received   |
| EVENTS_END      | 0x10C  | Packet sent or received   |
| EVENTS_DISABLED | 0x110  | RADIO has been disabled   |
| EVENTS_DEVMATCH | 0x114  | A device address match occurred on the last received packet               |
| EVENTS_DEVMISS  | 0x118  | No device address match occurred on the last received packet              |
| EVENTS_RSSIEND  | 0x11C  | Sampling of receive signal strength complete.                             |
| EVENTS BCMATCH  | 0x128  | Bit counter reached bit count value.                                      |
| EVENTS_CRCOK    | 0x130  | Packet received with CRC ok   |
| EVENTS_CRCERROR | 0x134  | Packet received with CRC error  |
| SHORTS          | 0x200  | Shortcut register   |
| INTENSET        | 0x304  | Enable interrupt  |
| INTENCLR        | 0x308  | Disable interrupt   |
| CRCSTATUS       | 0x400  | CRC status  |
| RXMATCH         | 0x408  | Received address  |
| RXCRC           | 0x40C  | CRC field of previously received packet                                   |

| Register           | Offset | Description                              |
|--------------------|--------|--|
| <i>DAI</i>         | 0x410  | Device address match index               |
| <i>PACKETPTR</i>   | 0x504  | Packet pointer                           |
| <i>FREQUENCY</i>   | 0x508  | Frequency                                |
| <i>TXPOWER</i>     | 0x50C  | Output power                             |
| <i>MODE</i>        | 0x510  | Data rate and modulation                 |
| <i>PCNF0</i>       | 0x514  | Packet configuration register 0          |
| <i>PCNF1</i>       | 0x518  | Packet configuration register 1          |
| <i>BASE0</i>       | 0x51C  | Base address 0                           |
| <i>BASE1</i>       | 0x520  | Base address 1                           |
| <i>PREFIX0</i>     | 0x524  | Prefixes bytes for logical addresses 0-3 |
| <i>PREFIX1</i>     | 0x528  | Prefixes bytes for logical addresses 4-7 |
| <i>TXADDRESS</i>   | 0x52C  | Transmit address select                  |
| <i>RXADDRESSES</i> | 0x530  | Receive address select                   |
| <i>CRCCNF</i>      | 0x534  | CRC configuration                        |
| <i>CRCPOLY</i>     | 0x538  | CRC polynomial                           |
| <i>CRCINIT</i>     | 0x53C  | CRC initial value                        |
|                    | 0x540  | Reserved                                 |
| <i>TIFS</i>        | 0x544  | Inter Frame Spacing in us                |
| <i>RSSISAMPLE</i>  | 0x548  | RSSI sample                              |
| <i>STATE</i>       | 0x550  | Current radio state                      |
| <i>DATAWHITEIV</i> | 0x554  | Data whitening initial value             |
| <i>BCC</i>         | 0x560  | Bit counter compare                      |
| <i>DAB[0]</i>      | 0x600  | Device address base segment 0            |
| <i>DAB[1]</i>      | 0x604  | Device address base segment 1            |
| <i>DAB[2]</i>      | 0x608  | Device address base segment 2            |
| <i>DAB[3]</i>      | 0x60C  | Device address base segment 3            |
| <i>DAB[4]</i>      | 0x610  | Device address base segment 4            |
| <i>DAB[5]</i>      | 0x614  | Device address base segment 5            |
| <i>DAB[6]</i>      | 0x618  | Device address base segment 6            |
| <i>DAB[7]</i>      | 0x61C  | Device address base segment 7            |
| <i>DAP[0]</i>      | 0x620  | Device address prefix 0                  |
| <i>DAP[1]</i>      | 0x624  | Device address prefix 1                  |
| <i>DAP[2]</i>      | 0x628  | Device address prefix 2                  |
| <i>DAP[3]</i>      | 0x62C  | Device address prefix 3                  |
| <i>DAP[4]</i>      | 0x630  | Device address prefix 4                  |
| <i>DAP[5]</i>      | 0x634  | Device address prefix 5                  |
| <i>DAP[6]</i>      | 0x638  | Device address prefix 6                  |
| <i>DAP[7]</i>      | 0x63C  | Device address prefix 7                  |
| <i>DACNF</i>       | 0x640  | Device address match configuration       |
| <i>MODECNFO</i>    | 0x650  | Radio mode configuration register 0      |
| <i>POWER</i>       | 0xFFC  | Peripheral power control                 |

### 23.14.1 SHORTS

Address offset: 0x200

Shortcut register

| Bit number       | 31 30 29 28 27 26 25 24 23 22 21 20 19 18 17 16 15 14 13 12 11 10 9 8 7 6 5 4 3 2 1 0 |             |          |    |       |  |  |  |  |  |  |  |  |  |  |  |  |  |  |  |  |  |  |  |  |  |  |  |  |  |  |
|------------------|---|-------------|----------|----|-------|--|--|--|--|--|--|--|--|--|--|--|--|--|--|--|--|--|--|--|--|--|--|--|--|--|--|
| Id               | H G F E D C B A   |             |          |    |       |  |  |  |  |  |  |  |  |  |  |  |  |  |  |  |  |  |  |  |  |  |  |  |  |  |  |
| Reset 0x00000000 | 0             |             |          |    |       |  |  |  |  |  |  |  |  |  |  |  |  |  |  |  |  |  |  |  |  |  |  |  |  |  |  |
| Id               | RW  | Field       | Value    | Id | Value | Description  |  |  |  |  |  |  |  |  |  |  |  |  |  |  |  |  |  |  |  |  |  |  |  |  |  |
| A                | RW  | READY_START |          |    |       | Shortcut between READY event and START task                      |  |  |  |  |  |  |  |  |  |  |  |  |  |  |  |  |  |  |  |  |  |  |  |  |  |
|                  |   |             | Disabled | 0  |       | Disable shortcut   |  |  |  |  |  |  |  |  |  |  |  |  |  |  |  |  |  |  |  |  |  |  |  |  |  |
|                  |   |             | Enabled  | 1  |       | Enable shortcut  |  |  |  |  |  |  |  |  |  |  |  |  |  |  |  |  |  |  |  |  |  |  |  |  |  |
| B                | RW  | END_DISABLE |          |    |       | Shortcut between END event and DISABLE task                      |  |  |  |  |  |  |  |  |  |  |  |  |  |  |  |  |  |  |  |  |  |  |  |  |  |
|                  |   |             |          |    |       | See <a href="#">EVENTS_END</a> and <a href="#">TASKS_DISABLE</a> |  |  |  |  |  |  |  |  |  |  |  |  |  |  |  |  |  |  |  |  |  |  |  |  |  |

| Bit number       | 31 30 29 28 27 26 25 24 23 22 21 20 19 18 17 16 15 14 13 12 11 10 9 8 7 6 5 4 3 2 1 0 |                   |   |       |                  |  |  |  |  |  |  |  |  |  |  |  |  |  |  |  |  |  |  |  |  |  |  |  |   |   |   |   |   |   |   |   |
|------------------|---|-------------------|---|-------|------------------|--|--|--|--|--|--|--|--|--|--|--|--|--|--|--|--|--|--|--|--|--|--|--|---|---|---|---|---|---|---|---|
| Id               |   |                   |   |       |                  |  |  |  |  |  |  |  |  |  |  |  |  |  |  |  |  |  |  |  |  |  |  |  | H | G | F | E | D | C | B | A |
| Reset 0x00000000 | 0             |                   |   |       |                  |  |  |  |  |  |  |  |  |  |  |  |  |  |  |  |  |  |  |  |  |  |  |  |   |   |   |   |   |   |   |   |
| Id               | RW  | Field             | Value Id  | Value | Description      |  |  |  |  |  |  |  |  |  |  |  |  |  |  |  |  |  |  |  |  |  |  |  |   |   |   |   |   |   |   |   |
| C                | RW  | DISABLED_TXEN     | Disabled  | 0     | Disable shortcut |  |  |  |  |  |  |  |  |  |  |  |  |  |  |  |  |  |  |  |  |  |  |  |   |   |   |   |   |   |   |   |
|                  |   |                   | Enabled   | 1     | Enable shortcut  |  |  |  |  |  |  |  |  |  |  |  |  |  |  |  |  |  |  |  |  |  |  |  |   |   |   |   |   |   |   |   |
|                  |   |                   | Shortcut between DISABLED event and TXEN task<br>See <a href="#">EVENTS_DISABLED</a> and <a href="#">TASKS_TXEN</a>         |       |                  |  |  |  |  |  |  |  |  |  |  |  |  |  |  |  |  |  |  |  |  |  |  |  |   |   |   |   |   |   |   |   |
| D                | RW  | DISABLED_RXEN     | Disabled  | 0     | Disable shortcut |  |  |  |  |  |  |  |  |  |  |  |  |  |  |  |  |  |  |  |  |  |  |  |   |   |   |   |   |   |   |   |
|                  |   |                   | Enabled   | 1     | Enable shortcut  |  |  |  |  |  |  |  |  |  |  |  |  |  |  |  |  |  |  |  |  |  |  |  |   |   |   |   |   |   |   |   |
|                  |   |                   | Shortcut between DISABLED event and RXEN task<br>See <a href="#">EVENTS_DISABLED</a> and <a href="#">TASKS_RXEN</a>         |       |                  |  |  |  |  |  |  |  |  |  |  |  |  |  |  |  |  |  |  |  |  |  |  |  |   |   |   |   |   |   |   |   |
| E                | RW  | ADDRESS_RSISSTART | Disabled  | 0     | Disable shortcut |  |  |  |  |  |  |  |  |  |  |  |  |  |  |  |  |  |  |  |  |  |  |  |   |   |   |   |   |   |   |   |
|                  |   |                   | Enabled   | 1     | Enable shortcut  |  |  |  |  |  |  |  |  |  |  |  |  |  |  |  |  |  |  |  |  |  |  |  |   |   |   |   |   |   |   |   |
|                  |   |                   | Shortcut between ADDRESS event and RSISSTART task<br>See <a href="#">EVENTS_ADDRESS</a> and <a href="#">TASKS_RSISSTART</a> |       |                  |  |  |  |  |  |  |  |  |  |  |  |  |  |  |  |  |  |  |  |  |  |  |  |   |   |   |   |   |   |   |   |
| F                | RW  | END_START         | Disabled  | 0     | Disable shortcut |  |  |  |  |  |  |  |  |  |  |  |  |  |  |  |  |  |  |  |  |  |  |  |   |   |   |   |   |   |   |   |
|                  |   |                   | Enabled   | 1     | Enable shortcut  |  |  |  |  |  |  |  |  |  |  |  |  |  |  |  |  |  |  |  |  |  |  |  |   |   |   |   |   |   |   |   |
|                  |   |                   | Shortcut between END event and START task<br>See <a href="#">EVENTS_END</a> and <a href="#">TASKS_START</a>                 |       |                  |  |  |  |  |  |  |  |  |  |  |  |  |  |  |  |  |  |  |  |  |  |  |  |   |   |   |   |   |   |   |   |
| G                | RW  | ADDRESS_BCSTART   | Disabled  | 0     | Disable shortcut |  |  |  |  |  |  |  |  |  |  |  |  |  |  |  |  |  |  |  |  |  |  |  |   |   |   |   |   |   |   |   |
|                  |   |                   | Enabled   | 1     | Enable shortcut  |  |  |  |  |  |  |  |  |  |  |  |  |  |  |  |  |  |  |  |  |  |  |  |   |   |   |   |   |   |   |   |
|                  |   |                   | Shortcut between ADDRESS event and BCSTART task<br>See <a href="#">EVENTS_ADDRESS</a> and <a href="#">TASKS_BCSTART</a>     |       |                  |  |  |  |  |  |  |  |  |  |  |  |  |  |  |  |  |  |  |  |  |  |  |  |   |   |   |   |   |   |   |   |
| H                | RW  | DISABLED_RSISSTOP | Disabled  | 0     | Disable shortcut |  |  |  |  |  |  |  |  |  |  |  |  |  |  |  |  |  |  |  |  |  |  |  |   |   |   |   |   |   |   |   |
|                  |   |                   | Enabled   | 1     | Enable shortcut  |  |  |  |  |  |  |  |  |  |  |  |  |  |  |  |  |  |  |  |  |  |  |  |   |   |   |   |   |   |   |   |
|                  |   |                   | Shortcut between DISABLED event and RSISSTOP task<br>See <a href="#">EVENTS_DISABLED</a> and <a href="#">TASKS_RSISSTOP</a> |       |                  |  |  |  |  |  |  |  |  |  |  |  |  |  |  |  |  |  |  |  |  |  |  |  |   |   |   |   |   |   |   |   |

### 23.14.2 INTENSET

Address offset: 0x304

Enable interrupt

| Bit number       | 31 30 29 28 27 26 25 24 23 22 21 20 19 18 17 16 15 14 13 12 11 10 9 8 7 6 5 4 3 2 1 0 |         |   |       |                                    |                |  |  |  |  |  |  |  |  |  |  |  |  |  |  |  |  |  |  |  |  |  |  |   |   |   |   |   |   |   |   |   |   |   |
|------------------|---|---------|---|-------|------------------------------------|----------------|--|--|--|--|--|--|--|--|--|--|--|--|--|--|--|--|--|--|--|--|--|--|---|---|---|---|---|---|---|---|---|---|---|
| Id               |   |         |   |       |                                    |                |  |  |  |  |  |  |  |  |  |  |  |  |  |  |  |  |  |  |  |  |  |  | L | K | I | H | G | F | E | D | C | B | A |
| Reset 0x00000000 | 0             |         |   |       |                                    |                |  |  |  |  |  |  |  |  |  |  |  |  |  |  |  |  |  |  |  |  |  |  |   |   |   |   |   |   |   |   |   |   |   |
| Id               | RW  | Field   | Value Id  | Value | Description                        |                |  |  |  |  |  |  |  |  |  |  |  |  |  |  |  |  |  |  |  |  |  |  |   |   |   |   |   |   |   |   |   |   |   |
| A                | RW  | READY   | Write '1' to Enable interrupt for READY event   |       | See <a href="#">EVENTS_READY</a>   |                |  |  |  |  |  |  |  |  |  |  |  |  |  |  |  |  |  |  |  |  |  |  |   |   |   |   |   |   |   |   |   |   |   |
|                  |   |         | Set   | 1     |                                    | Enable         |  |  |  |  |  |  |  |  |  |  |  |  |  |  |  |  |  |  |  |  |  |  |   |   |   |   |   |   |   |   |   |   |   |
|                  |   |         | Disabled  | 0     |                                    | Read: Disabled |  |  |  |  |  |  |  |  |  |  |  |  |  |  |  |  |  |  |  |  |  |  |   |   |   |   |   |   |   |   |   |   |   |
|                  |   |         | Enabled   | 1     |                                    | Read: Enabled  |  |  |  |  |  |  |  |  |  |  |  |  |  |  |  |  |  |  |  |  |  |  |   |   |   |   |   |   |   |   |   |   |   |
| B                | RW  | ADDRESS | Write '1' to Enable interrupt for ADDRESS event |       | See <a href="#">EVENTS_ADDRESS</a> |                |  |  |  |  |  |  |  |  |  |  |  |  |  |  |  |  |  |  |  |  |  |  |   |   |   |   |   |   |   |   |   |   |   |
|                  |   |         | Set   | 1     |                                    | Enable         |  |  |  |  |  |  |  |  |  |  |  |  |  |  |  |  |  |  |  |  |  |  |   |   |   |   |   |   |   |   |   |   |   |
|                  |   |         | Disabled  | 0     |                                    | Read: Disabled |  |  |  |  |  |  |  |  |  |  |  |  |  |  |  |  |  |  |  |  |  |  |   |   |   |   |   |   |   |   |   |   |   |
|                  |   |         | Enabled   | 1     |                                    | Read: Enabled  |  |  |  |  |  |  |  |  |  |  |  |  |  |  |  |  |  |  |  |  |  |  |   |   |   |   |   |   |   |   |   |   |   |
| C                | RW  | PAYLOAD | Write '1' to Enable interrupt for PAYLOAD event |       | See <a href="#">EVENTS_PAYLOAD</a> |                |  |  |  |  |  |  |  |  |  |  |  |  |  |  |  |  |  |  |  |  |  |  |   |   |   |   |   |   |   |   |   |   |   |
|                  |   |         | Set   | 1     |                                    | Enable         |  |  |  |  |  |  |  |  |  |  |  |  |  |  |  |  |  |  |  |  |  |  |   |   |   |   |   |   |   |   |   |   |   |
|                  |   |         | Disabled  | 0     |                                    | Read: Disabled |  |  |  |  |  |  |  |  |  |  |  |  |  |  |  |  |  |  |  |  |  |  |   |   |   |   |   |   |   |   |   |   |   |
|                  |   |         | Enabled   | 1     |                                    | Read: Enabled  |  |  |  |  |  |  |  |  |  |  |  |  |  |  |  |  |  |  |  |  |  |  |   |   |   |   |   |   |   |   |   |   |   |
| D                | RW  | END     | Write '1' to Enable interrupt for END event     |       |                                    |                |  |  |  |  |  |  |  |  |  |  |  |  |  |  |  |  |  |  |  |  |  |  |   |   |   |   |   |   |   |   |   |   |   |



| Bit number       | 31 30 29 28 27 26 25 24 23 22 21 20 19 18 17 16 15 14 13 12 11 10 9 8 7 6 5 4 3 2 1 0 |          |                                     |       |  |  |  |  |  |  |  |  |  |  |  |  |  |  |  |  |  |  |  |  |  |  |  |  |   |   |   |  |  |  |  |   |   |   |   |   |   |   |   |
|------------------|---|----------|-------------------------------------|-------|--|--|--|--|--|--|--|--|--|--|--|--|--|--|--|--|--|--|--|--|--|--|--|--|---|---|---|--|--|--|--|---|---|---|---|---|---|---|---|
| Id               |   |          |                                     |       |  |  |  |  |  |  |  |  |  |  |  |  |  |  |  |  |  |  |  |  |  |  |  |  | L | K | I |  |  |  |  | H | G | F | E | D | C | B | A |
| Reset 0x00000000 | 0             |          |                                     |       |  |  |  |  |  |  |  |  |  |  |  |  |  |  |  |  |  |  |  |  |  |  |  |  |   |   |   |  |  |  |  |   |   |   |   |   |   |   |   |
| Id               | RW  | Field    | Value Id                            | Value | Description                                      |  |  |  |  |  |  |  |  |  |  |  |  |  |  |  |  |  |  |  |  |  |  |  |   |   |   |  |  |  |  |   |   |   |   |   |   |   |   |
|                  |   |          | Set                                 | 1     | Enable   |  |  |  |  |  |  |  |  |  |  |  |  |  |  |  |  |  |  |  |  |  |  |  |   |   |   |  |  |  |  |   |   |   |   |   |   |   |   |
|                  |   |          | Disabled                            | 0     | Read: Disabled                                   |  |  |  |  |  |  |  |  |  |  |  |  |  |  |  |  |  |  |  |  |  |  |  |   |   |   |  |  |  |  |   |   |   |   |   |   |   |   |
|                  |   |          | Enabled                             | 1     | Read: Enabled                                    |  |  |  |  |  |  |  |  |  |  |  |  |  |  |  |  |  |  |  |  |  |  |  |   |   |   |  |  |  |  |   |   |   |   |   |   |   |   |
|                  |   |          | See <a href="#">EVENTS_END</a>      |       |  |  |  |  |  |  |  |  |  |  |  |  |  |  |  |  |  |  |  |  |  |  |  |  |   |   |   |  |  |  |  |   |   |   |   |   |   |   |   |
| E                | RW  | DISABLED |                                     |       | Write '1' to Enable interrupt for DISABLED event |  |  |  |  |  |  |  |  |  |  |  |  |  |  |  |  |  |  |  |  |  |  |  |   |   |   |  |  |  |  |   |   |   |   |   |   |   |   |
|                  |   |          | Set                                 | 1     | Enable   |  |  |  |  |  |  |  |  |  |  |  |  |  |  |  |  |  |  |  |  |  |  |  |   |   |   |  |  |  |  |   |   |   |   |   |   |   |   |
|                  |   |          | Disabled                            | 0     | Read: Disabled                                   |  |  |  |  |  |  |  |  |  |  |  |  |  |  |  |  |  |  |  |  |  |  |  |   |   |   |  |  |  |  |   |   |   |   |   |   |   |   |
|                  |   |          | Enabled                             | 1     | Read: Enabled                                    |  |  |  |  |  |  |  |  |  |  |  |  |  |  |  |  |  |  |  |  |  |  |  |   |   |   |  |  |  |  |   |   |   |   |   |   |   |   |
|                  |   |          | See <a href="#">EVENTS_DISABLED</a> |       |  |  |  |  |  |  |  |  |  |  |  |  |  |  |  |  |  |  |  |  |  |  |  |  |   |   |   |  |  |  |  |   |   |   |   |   |   |   |   |
| F                | RW  | DEVMATCH |                                     |       | Write '1' to Enable interrupt for DEVMATCH event |  |  |  |  |  |  |  |  |  |  |  |  |  |  |  |  |  |  |  |  |  |  |  |   |   |   |  |  |  |  |   |   |   |   |   |   |   |   |
|                  |   |          | Set                                 | 1     | Enable   |  |  |  |  |  |  |  |  |  |  |  |  |  |  |  |  |  |  |  |  |  |  |  |   |   |   |  |  |  |  |   |   |   |   |   |   |   |   |
|                  |   |          | Disabled                            | 0     | Read: Disabled                                   |  |  |  |  |  |  |  |  |  |  |  |  |  |  |  |  |  |  |  |  |  |  |  |   |   |   |  |  |  |  |   |   |   |   |   |   |   |   |
|                  |   |          | Enabled                             | 1     | Read: Enabled                                    |  |  |  |  |  |  |  |  |  |  |  |  |  |  |  |  |  |  |  |  |  |  |  |   |   |   |  |  |  |  |   |   |   |   |   |   |   |   |
|                  |   |          | See <a href="#">EVENTS_DEVMATCH</a> |       |  |  |  |  |  |  |  |  |  |  |  |  |  |  |  |  |  |  |  |  |  |  |  |  |   |   |   |  |  |  |  |   |   |   |   |   |   |   |   |
| G                | RW  | DEVMISS  |                                     |       | Write '1' to Enable interrupt for DEVMISS event  |  |  |  |  |  |  |  |  |  |  |  |  |  |  |  |  |  |  |  |  |  |  |  |   |   |   |  |  |  |  |   |   |   |   |   |   |   |   |
|                  |   |          | Set                                 | 1     | Enable   |  |  |  |  |  |  |  |  |  |  |  |  |  |  |  |  |  |  |  |  |  |  |  |   |   |   |  |  |  |  |   |   |   |   |   |   |   |   |
|                  |   |          | Disabled                            | 0     | Read: Disabled                                   |  |  |  |  |  |  |  |  |  |  |  |  |  |  |  |  |  |  |  |  |  |  |  |   |   |   |  |  |  |  |   |   |   |   |   |   |   |   |
|                  |   |          | Enabled                             | 1     | Read: Enabled                                    |  |  |  |  |  |  |  |  |  |  |  |  |  |  |  |  |  |  |  |  |  |  |  |   |   |   |  |  |  |  |   |   |   |   |   |   |   |   |
|                  |   |          | See <a href="#">EVENTS_DEVMISS</a>  |       |  |  |  |  |  |  |  |  |  |  |  |  |  |  |  |  |  |  |  |  |  |  |  |  |   |   |   |  |  |  |  |   |   |   |   |   |   |   |   |
| H                | RW  | RSSIEND  |                                     |       | Write '1' to Enable interrupt for RSSIEND event  |  |  |  |  |  |  |  |  |  |  |  |  |  |  |  |  |  |  |  |  |  |  |  |   |   |   |  |  |  |  |   |   |   |   |   |   |   |   |
|                  |   |          | Set                                 | 1     | Enable   |  |  |  |  |  |  |  |  |  |  |  |  |  |  |  |  |  |  |  |  |  |  |  |   |   |   |  |  |  |  |   |   |   |   |   |   |   |   |
|                  |   |          | Disabled                            | 0     | Read: Disabled                                   |  |  |  |  |  |  |  |  |  |  |  |  |  |  |  |  |  |  |  |  |  |  |  |   |   |   |  |  |  |  |   |   |   |   |   |   |   |   |
|                  |   |          | Enabled                             | 1     | Read: Enabled                                    |  |  |  |  |  |  |  |  |  |  |  |  |  |  |  |  |  |  |  |  |  |  |  |   |   |   |  |  |  |  |   |   |   |   |   |   |   |   |
|                  |   |          | See <a href="#">EVENTS_RSSIEND</a>  |       |  |  |  |  |  |  |  |  |  |  |  |  |  |  |  |  |  |  |  |  |  |  |  |  |   |   |   |  |  |  |  |   |   |   |   |   |   |   |   |
| I                | RW  | BCMATCH  |                                     |       | Write '1' to Enable interrupt for BCMATCH event  |  |  |  |  |  |  |  |  |  |  |  |  |  |  |  |  |  |  |  |  |  |  |  |   |   |   |  |  |  |  |   |   |   |   |   |   |   |   |
|                  |   |          | Set                                 | 1     | Enable   |  |  |  |  |  |  |  |  |  |  |  |  |  |  |  |  |  |  |  |  |  |  |  |   |   |   |  |  |  |  |   |   |   |   |   |   |   |   |
|                  |   |          | Disabled                            | 0     | Read: Disabled                                   |  |  |  |  |  |  |  |  |  |  |  |  |  |  |  |  |  |  |  |  |  |  |  |   |   |   |  |  |  |  |   |   |   |   |   |   |   |   |
|                  |   |          | Enabled                             | 1     | Read: Enabled                                    |  |  |  |  |  |  |  |  |  |  |  |  |  |  |  |  |  |  |  |  |  |  |  |   |   |   |  |  |  |  |   |   |   |   |   |   |   |   |
|                  |   |          | See <a href="#">EVENTS_BCMATCH</a>  |       |  |  |  |  |  |  |  |  |  |  |  |  |  |  |  |  |  |  |  |  |  |  |  |  |   |   |   |  |  |  |  |   |   |   |   |   |   |   |   |
| K                | RW  | CRCOK    |                                     |       | Write '1' to Enable interrupt for CRCOK event    |  |  |  |  |  |  |  |  |  |  |  |  |  |  |  |  |  |  |  |  |  |  |  |   |   |   |  |  |  |  |   |   |   |   |   |   |   |   |
|                  |   |          | Set                                 | 1     | Enable   |  |  |  |  |  |  |  |  |  |  |  |  |  |  |  |  |  |  |  |  |  |  |  |   |   |   |  |  |  |  |   |   |   |   |   |   |   |   |
|                  |   |          | Disabled                            | 0     | Read: Disabled                                   |  |  |  |  |  |  |  |  |  |  |  |  |  |  |  |  |  |  |  |  |  |  |  |   |   |   |  |  |  |  |   |   |   |   |   |   |   |   |
|                  |   |          | Enabled                             | 1     | Read: Enabled                                    |  |  |  |  |  |  |  |  |  |  |  |  |  |  |  |  |  |  |  |  |  |  |  |   |   |   |  |  |  |  |   |   |   |   |   |   |   |   |
|                  |   |          | See <a href="#">EVENTS_CRCOK</a>    |       |  |  |  |  |  |  |  |  |  |  |  |  |  |  |  |  |  |  |  |  |  |  |  |  |   |   |   |  |  |  |  |   |   |   |   |   |   |   |   |
| L                | RW  | CRCERROR |                                     |       | Write '1' to Enable interrupt for CRCERROR event |  |  |  |  |  |  |  |  |  |  |  |  |  |  |  |  |  |  |  |  |  |  |  |   |   |   |  |  |  |  |   |   |   |   |   |   |   |   |
|                  |   |          | Set                                 | 1     | Enable   |  |  |  |  |  |  |  |  |  |  |  |  |  |  |  |  |  |  |  |  |  |  |  |   |   |   |  |  |  |  |   |   |   |   |   |   |   |   |
|                  |   |          | Disabled                            | 0     | Read: Disabled                                   |  |  |  |  |  |  |  |  |  |  |  |  |  |  |  |  |  |  |  |  |  |  |  |   |   |   |  |  |  |  |   |   |   |   |   |   |   |   |
|                  |   |          | Enabled                             | 1     | Read: Enabled                                    |  |  |  |  |  |  |  |  |  |  |  |  |  |  |  |  |  |  |  |  |  |  |  |   |   |   |  |  |  |  |   |   |   |   |   |   |   |   |
|                  |   |          | See <a href="#">EVENTS_CRCERROR</a> |       |  |  |  |  |  |  |  |  |  |  |  |  |  |  |  |  |  |  |  |  |  |  |  |  |   |   |   |  |  |  |  |   |   |   |   |   |   |   |   |

### 23.14.3 INTENCLR

Address offset: 0x308

Disable interrupt

| Bit number       | 31 30 29 28 27 26 25 24 23 22 21 20 19 18 17 16 15 14 13 12 11 10 9 8 7 6 5 4 3 2 1 0 |       |                                  |       |  |  |  |  |  |  |  |  |  |  |  |  |  |  |  |  |  |  |  |  |  |  |  |  |   |   |   |  |  |  |  |   |   |   |   |   |   |   |   |
|------------------|---|-------|----------------------------------|-------|--|--|--|--|--|--|--|--|--|--|--|--|--|--|--|--|--|--|--|--|--|--|--|--|---|---|---|--|--|--|--|---|---|---|---|---|---|---|---|
| Id               |   |       |                                  |       |  |  |  |  |  |  |  |  |  |  |  |  |  |  |  |  |  |  |  |  |  |  |  |  | L | K | I |  |  |  |  | H | G | F | E | D | C | B | A |
| Reset 0x00000000 | 0             |       |                                  |       |  |  |  |  |  |  |  |  |  |  |  |  |  |  |  |  |  |  |  |  |  |  |  |  |   |   |   |  |  |  |  |   |   |   |   |   |   |   |   |
| Id               | RW  | Field | Value Id                         | Value | Description                                    |  |  |  |  |  |  |  |  |  |  |  |  |  |  |  |  |  |  |  |  |  |  |  |   |   |   |  |  |  |  |   |   |   |   |   |   |   |   |
| A                | RW  | READY |                                  |       | Write '1' to Disable interrupt for READY event |  |  |  |  |  |  |  |  |  |  |  |  |  |  |  |  |  |  |  |  |  |  |  |   |   |   |  |  |  |  |   |   |   |   |   |   |   |   |
|                  |   |       | Clear                            | 1     | Disable  |  |  |  |  |  |  |  |  |  |  |  |  |  |  |  |  |  |  |  |  |  |  |  |   |   |   |  |  |  |  |   |   |   |   |   |   |   |   |
|                  |   |       | See <a href="#">EVENTS_READY</a> |       |  |  |  |  |  |  |  |  |  |  |  |  |  |  |  |  |  |  |  |  |  |  |  |  |   |   |   |  |  |  |  |   |   |   |   |   |   |   |   |

|                  |    |    |    |    |    |    |    |    |    |    |    |    |    |    |    |    |    |    |    |    |    |    |   |   |   |   |   |   |   |   |   |   |   |   |   |   |   |   |   |   |   |
|------------------|----|----|----|----|----|----|----|----|----|----|----|----|----|----|----|----|----|----|----|----|----|----|---|---|---|---|---|---|---|---|---|---|---|---|---|---|---|---|---|---|---|
| Bit number       | 31 | 30 | 29 | 28 | 27 | 26 | 25 | 24 | 23 | 22 | 21 | 20 | 19 | 18 | 17 | 16 | 15 | 14 | 13 | 12 | 11 | 10 | 9 | 8 | 7 | 6 | 5 | 4 | 3 | 2 | 1 | 0 |   |   |   |   |   |   |   |   |   |
| Id               |    |    |    |    |    |    |    |    |    |    |    |    |    |    |    |    |    |    |    |    | L  | K  | I |   |   |   |   |   |   |   |   |   |   | H | G | F | E | D | C | B | A |
| Reset 0x00000000 | 0  | 0  | 0  | 0  | 0  | 0  | 0  | 0  | 0  | 0  | 0  | 0  | 0  | 0  | 0  | 0  | 0  | 0  | 0  | 0  | 0  | 0  | 0 | 0 | 0 | 0 | 0 | 0 | 0 | 0 | 0 | 0 | 0 |   |   |   |   |   |   |   |   |

| Id | RW | Field    | Value Id | Value | Description  |
|----|----|----------|----------|-------|--|
|    |    |          | Disabled | 0     | Read: Disabled   |
|    |    |          | Enabled  | 1     | Read: Enabled  |
| B  | RW | ADDRESS  |          |       | Write '1' to Disable interrupt for ADDRESS event<br><br>See <a href="#">EVENTS_ADDRESS</a>   |
|    |    |          | Clear    | 1     | Disable  |
|    |    |          | Disabled | 0     | Read: Disabled   |
|    |    |          | Enabled  | 1     | Read: Enabled  |
| C  | RW | PAYLOAD  |          |       | Write '1' to Disable interrupt for PAYLOAD event<br><br>See <a href="#">EVENTS_PAYLOAD</a>   |
|    |    |          | Clear    | 1     | Disable  |
|    |    |          | Disabled | 0     | Read: Disabled   |
|    |    |          | Enabled  | 1     | Read: Enabled  |
| D  | RW | END      |          |       | Write '1' to Disable interrupt for END event<br><br>See <a href="#">EVENTS_END</a>           |
|    |    |          | Clear    | 1     | Disable  |
|    |    |          | Disabled | 0     | Read: Disabled   |
|    |    |          | Enabled  | 1     | Read: Enabled  |
| E  | RW | DISABLED |          |       | Write '1' to Disable interrupt for DISABLED event<br><br>See <a href="#">EVENTS_DISABLED</a> |
|    |    |          | Clear    | 1     | Disable  |
|    |    |          | Disabled | 0     | Read: Disabled   |
|    |    |          | Enabled  | 1     | Read: Enabled  |
| F  | RW | DEVMATCH |          |       | Write '1' to Disable interrupt for DEVMATCH event<br><br>See <a href="#">EVENTS_DEVMATCH</a> |
|    |    |          | Clear    | 1     | Disable  |
|    |    |          | Disabled | 0     | Read: Disabled   |
|    |    |          | Enabled  | 1     | Read: Enabled  |
| G  | RW | DEVMISS  |          |       | Write '1' to Disable interrupt for DEVMISS event<br><br>See <a href="#">EVENTS_DEVMISS</a>   |
|    |    |          | Clear    | 1     | Disable  |
|    |    |          | Disabled | 0     | Read: Disabled   |
|    |    |          | Enabled  | 1     | Read: Enabled  |
| H  | RW | RSSIEND  |          |       | Write '1' to Disable interrupt for RSSIEND event<br><br>See <a href="#">EVENTS_RSSIEND</a>   |
|    |    |          | Clear    | 1     | Disable  |
|    |    |          | Disabled | 0     | Read: Disabled   |
|    |    |          | Enabled  | 1     | Read: Enabled  |
| I  | RW | BCMATCH  |          |       | Write '1' to Disable interrupt for BCMATCH event<br><br>See <a href="#">EVENTS BCMATCH</a>   |
|    |    |          | Clear    | 1     | Disable  |
|    |    |          | Disabled | 0     | Read: Disabled   |
|    |    |          | Enabled  | 1     | Read: Enabled  |
| K  | RW | CRCOK    |          |       | Write '1' to Disable interrupt for CRCOK event<br><br>See <a href="#">EVENTS_CRCOK</a>       |
|    |    |          | Clear    | 1     | Disable  |
|    |    |          | Disabled | 0     | Read: Disabled   |
|    |    |          | Enabled  | 1     | Read: Enabled  |
| L  | RW | CRCERROR |          |       | Write '1' to Disable interrupt for CRCERROR event<br><br>See <a href="#">EVENTS_CRCERROR</a> |
|    |    |          | Clear    | 1     | Disable  |
|    |    |          | Disabled | 0     | Read: Disabled   |

| Bit number       | 31 | 30    | 29      | 28 | 27    | 26            | 25 | 24 | 23 | 22 | 21 | 20 | 19 | 18 | 17 | 16 | 15 | 14 | 13 | 12 | 11 | 10 | 9 | 8 | 7 | 6 | 5 | 4 | 3 | 2 | 1 | 0 |   |  |  |   |   |   |   |   |   |   |   |
|------------------|----|-------|---------|----|-------|---------------|----|----|----|----|----|----|----|----|----|----|----|----|----|----|----|----|---|---|---|---|---|---|---|---|---|---|---|--|--|---|---|---|---|---|---|---|---|
| Id               |    |       |         |    |       |               |    |    |    |    |    |    |    |    |    |    |    |    |    |    | L  | K  | I |   |   |   |   |   |   |   |   |   |   |  |  | H | G | F | E | D | C | B | A |
| Reset 0x00000000 | 0  | 0     | 0       | 0  | 0     | 0             | 0  | 0  | 0  | 0  | 0  | 0  | 0  | 0  | 0  | 0  | 0  | 0  | 0  | 0  | 0  | 0  | 0 | 0 | 0 | 0 | 0 | 0 | 0 | 0 | 0 | 0 | 0 |  |  |   |   |   |   |   |   |   |   |
| Id               | RW | Field | Value   | Id | Value | Description   |    |    |    |    |    |    |    |    |    |    |    |    |    |    |    |    |   |   |   |   |   |   |   |   |   |   |   |  |  |   |   |   |   |   |   |   |   |
|                  |    |       | Enabled | 1  |       | Read: Enabled |    |    |    |    |    |    |    |    |    |    |    |    |    |    |    |    |   |   |   |   |   |   |   |   |   |   |   |  |  |   |   |   |   |   |   |   |   |

### 23.14.4 CRCSTATUS

Address offset: 0x400

CRC status

| Bit number       | 31 | 30        | 29       | 28 | 27    | 26                             | 25 | 24 | 23 | 22 | 21 | 20 | 19 | 18 | 17 | 16 | 15 | 14 | 13 | 12 | 11 | 10 | 9 | 8 | 7 | 6 | 5 | 4 | 3 | 2 | 1 | 0 |
|------------------|----|-----------|----------|----|-------|--------------------------------|----|----|----|----|----|----|----|----|----|----|----|----|----|----|----|----|---|---|---|---|---|---|---|---|---|---|
| Id               |    |           |          |    |       |                                |    |    |    |    |    |    |    |    |    |    |    |    |    |    |    |    |   |   |   |   |   |   | A |   |   |   |
| Reset 0x00000000 | 0  | 0         | 0        | 0  | 0     | 0                              | 0  | 0  | 0  | 0  | 0  | 0  | 0  | 0  | 0  | 0  | 0  | 0  | 0  | 0  | 0  | 0  | 0 | 0 | 0 | 0 | 0 | 0 | 0 | 0 | 0 |   |
| Id               | RW | Field     | Value    | Id | Value | Description                    |    |    |    |    |    |    |    |    |    |    |    |    |    |    |    |    |   |   |   |   |   |   |   |   |   |   |
| A                | R  | CRCSTATUS |          |    |       | CRC status of packet received  |    |    |    |    |    |    |    |    |    |    |    |    |    |    |    |    |   |   |   |   |   |   |   |   |   |   |
|                  |    |           | CRCError | 0  |       | Packet received with CRC error |    |    |    |    |    |    |    |    |    |    |    |    |    |    |    |    |   |   |   |   |   |   |   |   |   |   |
|                  |    |           | CRCOK    | 1  |       | Packet received with CRC ok    |    |    |    |    |    |    |    |    |    |    |    |    |    |    |    |    |   |   |   |   |   |   |   |   |   |   |

### 23.14.5 RXMATCH

Address offset: 0x408

Received address

| Bit number       | 31 | 30      | 29    | 28 | 27    | 26  | 25 | 24 | 23 | 22 | 21 | 20 | 19 | 18 | 17 | 16 | 15 | 14 | 13 | 12 | 11 | 10 | 9 | 8 | 7 | 6 | 5 | 4 | 3 | 2 | 1 | 0 |
|------------------|----|---------|-------|----|-------|---|----|----|----|----|----|----|----|----|----|----|----|----|----|----|----|----|---|---|---|---|---|---|---|---|---|---|
| Id               |    |         |       |    |       |   |    |    |    |    |    |    |    |    |    |    |    |    |    |    |    |    |   |   |   |   |   |   | A | A | A |   |
| Reset 0x00000000 | 0  | 0       | 0     | 0  | 0     | 0   | 0  | 0  | 0  | 0  | 0  | 0  | 0  | 0  | 0  | 0  | 0  | 0  | 0  | 0  | 0  | 0  | 0 | 0 | 0 | 0 | 0 | 0 | 0 | 0 | 0 | 0 |
| Id               | RW | Field   | Value | Id | Value | Description   |    |    |    |    |    |    |    |    |    |    |    |    |    |    |    |    |   |   |   |   |   |   |   |   |   |   |
| A                | R  | RXMATCH |       |    |       | Received address                                      |    |    |    |    |    |    |    |    |    |    |    |    |    |    |    |    |   |   |   |   |   |   |   |   |   |   |
|                  |    |         |       |    |       | Logical address of which previous packet was received |    |    |    |    |    |    |    |    |    |    |    |    |    |    |    |    |   |   |   |   |   |   |   |   |   |   |

### 23.14.6 RXCRC

Address offset: 0x40C

CRC field of previously received packet

| Bit number       | 31 | 30    | 29    | 28 | 27    | 26                                      | 25 | 24 | 23 | 22 | 21 | 20 | 19 | 18 | 17 | 16 | 15 | 14 | 13 | 12 | 11 | 10 | 9 | 8 | 7 | 6 | 5 | 4 | 3 | 2 | 1 | 0 |   |   |   |   |   |   |   |   |   |   |   |   |   |   |   |   |   |   |   |   |   |   |   |   |   |
|------------------|----|-------|-------|----|-------|---|----|----|----|----|----|----|----|----|----|----|----|----|----|----|----|----|---|---|---|---|---|---|---|---|---|---|---|---|---|---|---|---|---|---|---|---|---|---|---|---|---|---|---|---|---|---|---|---|---|---|---|
| Id               |    |       |       |    |       |   |    |    |    |    |    |    |    |    |    |    |    |    |    |    |    |    |   |   |   |   |   |   | A | A | A | A | A | A | A | A | A | A | A | A | A | A | A | A | A | A | A | A | A | A | A | A | A | A | A | A | A |
| Reset 0x00000000 | 0  | 0     | 0     | 0  | 0     | 0                                       | 0  | 0  | 0  | 0  | 0  | 0  | 0  | 0  | 0  | 0  | 0  | 0  | 0  | 0  | 0  | 0  | 0 | 0 | 0 | 0 | 0 | 0 | 0 | 0 | 0 | 0 |   |   |   |   |   |   |   |   |   |   |   |   |   |   |   |   |   |   |   |   |   |   |   |   |   |
| Id               | RW | Field | Value | Id | Value | Description                             |    |    |    |    |    |    |    |    |    |    |    |    |    |    |    |    |   |   |   |   |   |   |   |   |   |   |   |   |   |   |   |   |   |   |   |   |   |   |   |   |   |   |   |   |   |   |   |   |   |   |   |
| A                | R  | RXCRC |       |    |       | CRC field of previously received packet |    |    |    |    |    |    |    |    |    |    |    |    |    |    |    |    |   |   |   |   |   |   |   |   |   |   |   |   |   |   |   |   |   |   |   |   |   |   |   |   |   |   |   |   |   |   |   |   |   |   |   |
|                  |    |       |       |    |       | CRC field of previously received packet |    |    |    |    |    |    |    |    |    |    |    |    |    |    |    |    |   |   |   |   |   |   |   |   |   |   |   |   |   |   |   |   |   |   |   |   |   |   |   |   |   |   |   |   |   |   |   |   |   |   |   |

### 23.14.7 DAI

Address offset: 0x410

Device address match index

| Bit number       | 31 | 30    | 29    | 28 | 27    | 26   | 25 | 24 | 23 | 22 | 21 | 20 | 19 | 18 | 17 | 16 | 15 | 14 | 13 | 12 | 11 | 10 | 9 | 8 | 7 | 6 | 5 | 4 | 3 | 2 | 1 | 0 |
|------------------|----|-------|-------|----|-------|--|----|----|----|----|----|----|----|----|----|----|----|----|----|----|----|----|---|---|---|---|---|---|---|---|---|---|
| Id               |    |       |       |    |       |  |    |    |    |    |    |    |    |    |    |    |    |    |    |    |    |    |   |   |   |   |   |   | A | A |   |   |
| Reset 0x00000000 | 0  | 0     | 0     | 0  | 0     | 0  | 0  | 0  | 0  | 0  | 0  | 0  | 0  | 0  | 0  | 0  | 0  | 0  | 0  | 0  | 0  | 0  | 0 | 0 | 0 | 0 | 0 | 0 | 0 | 0 | 0 | 0 |
| Id               | RW | Field | Value | Id | Value | Description  |    |    |    |    |    |    |    |    |    |    |    |    |    |    |    |    |   |   |   |   |   |   |   |   |   |   |
| A                | R  | DAI   |       |    |       | Device address match index   |    |    |    |    |    |    |    |    |    |    |    |    |    |    |    |    |   |   |   |   |   |   |   |   |   |   |
|                  |    |       |       |    |       | Index (n) of device address, see DAB[n] and DAP[n], that got an address match. |    |    |    |    |    |    |    |    |    |    |    |    |    |    |    |    |   |   |   |   |   |   |   |   |   |   |

### 23.14.8 PACKETPTR

Address offset: 0x504

### Packet pointer

|                  |    |    |    |    |    |    |    |    |    |    |    |    |    |    |    |    |    |    |    |    |    |    |   |   |   |   |   |   |   |   |   |   |
|------------------|----|----|----|----|----|----|----|----|----|----|----|----|----|----|----|----|----|----|----|----|----|----|---|---|---|---|---|---|---|---|---|---|
| Bit number       | 31 | 30 | 29 | 28 | 27 | 26 | 25 | 24 | 23 | 22 | 21 | 20 | 19 | 18 | 17 | 16 | 15 | 14 | 13 | 12 | 11 | 10 | 9 | 8 | 7 | 6 | 5 | 4 | 3 | 2 | 1 | 0 |
| Id               | A  | A  | A  | A  | A  | A  | A  | A  | A  | A  | A  | A  | A  | A  | A  | A  | A  | A  | A  | A  | A  | A  | A | A | A | A | A | A | A | A | A | A |
| Reset 0x00000000 | 0  | 0  | 0  | 0  | 0  | 0  | 0  | 0  | 0  | 0  | 0  | 0  | 0  | 0  | 0  | 0  | 0  | 0  | 0  | 0  | 0  | 0  | 0 | 0 | 0 | 0 | 0 | 0 | 0 | 0 | 0 | 0 |

| Id | RW | Field     | Value Id | Value | Description   |
|----|----|-----------|----------|-------|---|
| A  | RW | PACKETPTR |          |       | Packet pointer  |
|    |    |           |          |       | Packet address to be used for the next transmission or reception. When transmitting, the packet pointed to by this address will be transmitted and when receiving, the received packet will be written to this address. This address is a byte aligned ram address. |

## 23.14.9 FREQUENCY

Address offset: 0x508

### Frequency

|                  |    |    |    |    |    |    |    |    |    |    |    |    |    |    |    |    |    |    |    |    |    |    |   |   |   |   |   |   |   |   |   |   |
|------------------|----|----|----|----|----|----|----|----|----|----|----|----|----|----|----|----|----|----|----|----|----|----|---|---|---|---|---|---|---|---|---|---|
| Bit number       | 31 | 30 | 29 | 28 | 27 | 26 | 25 | 24 | 23 | 22 | 21 | 20 | 19 | 18 | 17 | 16 | 15 | 14 | 13 | 12 | 11 | 10 | 9 | 8 | 7 | 6 | 5 | 4 | 3 | 2 | 1 | 0 |
| Id               |    |    |    |    |    |    |    |    |    |    |    |    |    |    |    |    |    |    |    |    |    |    |   |   | B | A | A | A | A | A | A |   |
| Reset 0x00000002 | 0  | 0  | 0  | 0  | 0  | 0  | 0  | 0  | 0  | 0  | 0  | 0  | 0  | 0  | 0  | 0  | 0  | 0  | 0  | 0  | 0  | 0  | 0 | 0 | 0 | 0 | 0 | 0 | 0 | 0 | 1 | 0 |

| Id | RW | Field     | Value Id | Value    | Description  |
|----|----|-----------|----------|----------|--|
| A  | RW | FREQUENCY |          | [0..100] | Radio channel frequency  |
|    |    |           |          |          | Frequency = 2400 + FREQUENCY (MHz).  |
| B  | RW | MAP       | Default  | 0        | Channel map selection.<br>Channel map between 2400 MHz .. 2500 MHz   |
|    |    |           | Low      | 1        | Frequency = 2400 + FREQUENCY (MHz)<br>Channel map between 2360 MHz .. 2460 MHz<br>Frequency = 2360 + FREQUENCY (MHz) |

## 23.14.10 TXPOWER

Address offset: 0x50C

### Output power

|                  |    |    |    |    |    |    |    |    |    |    |    |    |    |    |    |    |    |    |    |    |    |    |   |   |   |   |   |   |   |   |   |   |
|------------------|----|----|----|----|----|----|----|----|----|----|----|----|----|----|----|----|----|----|----|----|----|----|---|---|---|---|---|---|---|---|---|---|
| Bit number       | 31 | 30 | 29 | 28 | 27 | 26 | 25 | 24 | 23 | 22 | 21 | 20 | 19 | 18 | 17 | 16 | 15 | 14 | 13 | 12 | 11 | 10 | 9 | 8 | 7 | 6 | 5 | 4 | 3 | 2 | 1 | 0 |
| Id               |    |    |    |    |    |    |    |    |    |    |    |    |    |    |    |    |    |    |    |    |    |    |   |   |   | A | A | A | A | A | A | A |
| Reset 0x00000000 | 0  | 0  | 0  | 0  | 0  | 0  | 0  | 0  | 0  | 0  | 0  | 0  | 0  | 0  | 0  | 0  | 0  | 0  | 0  | 0  | 0  | 0  | 0 | 0 | 0 | 0 | 0 | 0 | 0 | 0 | 0 | 0 |

| Id | RW | Field   | Value Id | Value | Description   |
|----|----|---------|----------|-------|---|
| A  | RW | TXPOWER |          |       | RADIO output power.   |
|    |    |         |          |       | Output power in number of dBm, i.e. if the value -20 is specified the output power will be set to -20dBm. |
|    |    |         | Pos4dBm  | 0x04  | +4 dBm  |
|    |    |         | Pos3dBm  | 0x03  | +3 dBm  |
|    |    |         | 0dBm     | 0x00  | 0 dBm   |
|    |    |         | Neg4dBm  | 0xFC  | -4 dBm  |
|    |    |         | Neg8dBm  | 0xF8  | -8 dBm  |
|    |    |         | Neg12dBm | 0xF4  | -12 dBm   |
|    |    |         | Neg16dBm | 0xF0  | -16 dBm   |
|    |    |         | Neg20dBm | 0xEC  | -20 dBm   |
|    |    |         | Neg30dBm | 0xD8  | -40 dBm   |
|    |    |         | Neg40dBm | 0xD8  | -40 dBm   |

Deprecated

## 23.14.11 MODE

Address offset: 0x510

### Data rate and modulation

| Bit number       | 31 | 30    | 29          | 28    | 27  | 26 | 25 | 24 | 23 | 22 | 21 | 20 | 19 | 18 | 17 | 16 | 15 | 14 | 13 | 12 | 11 | 10 | 9 | 8 | 7 | 6 | 5 | 4 | 3 | 2 | 1 | 0 |
|------------------|----|-------|-------------|-------|---|----|----|----|----|----|----|----|----|----|----|----|----|----|----|----|----|----|---|---|---|---|---|---|---|---|---|---|
| Id               |    |       |             |       |   |    |    |    |    |    |    |    |    |    |    |    |    |    |    |    |    |    |   |   |   |   |   | A | A | A | A |   |
| Reset 0x00000000 | 0  | 0     | 0           | 0     | 0   | 0  | 0  | 0  | 0  | 0  | 0  | 0  | 0  | 0  | 0  | 0  | 0  | 0  | 0  | 0  | 0  | 0  | 0 | 0 | 0 | 0 | 0 | 0 | 0 | 0 | 0 | 0 |
| Id               | RW | Field | Value Id    | Value | Description   |    |    |    |    |    |    |    |    |    |    |    |    |    |    |    |    |    |   |   |   |   |   |   |   |   |   |   |
| A                | RW | MODE  |             |       | Radio data rate and modulation setting. The radio supports Frequency-shift Keying (FSK) modulation. |    |    |    |    |    |    |    |    |    |    |    |    |    |    |    |    |    |   |   |   |   |   |   |   |   |   |   |
|                  |    |       | Nrf_1Mbit   | 0     | 1 Mbit/s Nordic proprietary radio mode  |    |    |    |    |    |    |    |    |    |    |    |    |    |    |    |    |    |   |   |   |   |   |   |   |   |   |   |
|                  |    |       | Nrf_2Mbit   | 1     | 2 Mbit/s Nordic proprietary radio mode  |    |    |    |    |    |    |    |    |    |    |    |    |    |    |    |    |    |   |   |   |   |   |   |   |   |   |   |
|                  |    |       | Nrf_250Kbit | 2     | 250 kbit/s Nordic proprietary radio mode <span style="float:right">Deprecated</span>                |    |    |    |    |    |    |    |    |    |    |    |    |    |    |    |    |    |   |   |   |   |   |   |   |   |   |   |
|                  |    |       | Ble_1Mbit   | 3     | 1 Mbit/s Bluetooth Low Energy   |    |    |    |    |    |    |    |    |    |    |    |    |    |    |    |    |    |   |   |   |   |   |   |   |   |   |   |
|                  |    |       | Ble_2Mbit   | 4     | 2 Mbit/s Bluetooth Low Energy   |    |    |    |    |    |    |    |    |    |    |    |    |    |    |    |    |    |   |   |   |   |   |   |   |   |   |   |

### 23.14.12 PCNF0

Address offset: 0x514

Packet configuration register 0

| Bit number       | 31 | 30     | 29        | 28    | 27  | 26 | 25 | 24 | 23 | 22 | 21 | 20 | 19 | 18 | 17 | 16 | 15 | 14 | 13 | 12 | 11 | 10 | 9 | 8 | 7 | 6 | 5 | 4 | 3 | 2 | 1 | 0 |   |  |  |  |  |  |  |  |  |  |  |  |  |  |  |  |   |  |  |  |  |  |   |   |   |   |
|------------------|----|--------|-----------|-------|---|----|----|----|----|----|----|----|----|----|----|----|----|----|----|----|----|----|---|---|---|---|---|---|---|---|---|---|---|--|--|--|--|--|--|--|--|--|--|--|--|--|--|--|---|--|--|--|--|--|---|---|---|---|
| Id               |    |        |           |       |   |    |    |    |    |    |    |    |    |    |    |    |    |    |    |    |    |    |   |   |   |   |   | G |   | F | E | E | E |  |  |  |  |  |  |  |  |  |  |  |  |  |  |  | C |  |  |  |  |  | A | A | A | A |
| Reset 0x00000000 | 0  | 0      | 0         | 0     | 0   | 0  | 0  | 0  | 0  | 0  | 0  | 0  | 0  | 0  | 0  | 0  | 0  | 0  | 0  | 0  | 0  | 0  | 0 | 0 | 0 | 0 | 0 | 0 | 0 | 0 | 0 | 0 | 0 |  |  |  |  |  |  |  |  |  |  |  |  |  |  |  |   |  |  |  |  |  |   |   |   |   |
| Id               | RW | Field  | Value Id  | Value | Description   |    |    |    |    |    |    |    |    |    |    |    |    |    |    |    |    |    |   |   |   |   |   |   |   |   |   |   |   |  |  |  |  |  |  |  |  |  |  |  |  |  |  |  |   |  |  |  |  |  |   |   |   |   |
| A                | RW | LFLEN  |           |       | Length on air of LENGTH field in number of bits.            |    |    |    |    |    |    |    |    |    |    |    |    |    |    |    |    |    |   |   |   |   |   |   |   |   |   |   |   |  |  |  |  |  |  |  |  |  |  |  |  |  |  |  |   |  |  |  |  |  |   |   |   |   |
| C                | RW | SOLEN  |           |       | Length on air of S0 field in number of bytes.               |    |    |    |    |    |    |    |    |    |    |    |    |    |    |    |    |    |   |   |   |   |   |   |   |   |   |   |   |  |  |  |  |  |  |  |  |  |  |  |  |  |  |  |   |  |  |  |  |  |   |   |   |   |
| E                | RW | S1LEN  |           |       | Length on air of S1 field in number of bits.                |    |    |    |    |    |    |    |    |    |    |    |    |    |    |    |    |    |   |   |   |   |   |   |   |   |   |   |   |  |  |  |  |  |  |  |  |  |  |  |  |  |  |  |   |  |  |  |  |  |   |   |   |   |
| F                | RW | S1INCL |           |       | Include or exclude S1 field in RAM                          |    |    |    |    |    |    |    |    |    |    |    |    |    |    |    |    |    |   |   |   |   |   |   |   |   |   |   |   |  |  |  |  |  |  |  |  |  |  |  |  |  |  |  |   |  |  |  |  |  |   |   |   |   |
|                  |    |        | Automatic | 0     | Include S1 field in RAM only if S1LEN > 0                   |    |    |    |    |    |    |    |    |    |    |    |    |    |    |    |    |    |   |   |   |   |   |   |   |   |   |   |   |  |  |  |  |  |  |  |  |  |  |  |  |  |  |  |   |  |  |  |  |  |   |   |   |   |
|                  |    |        | Include   | 1     | Always include S1 field in RAM independent of S1LEN         |    |    |    |    |    |    |    |    |    |    |    |    |    |    |    |    |    |   |   |   |   |   |   |   |   |   |   |   |  |  |  |  |  |  |  |  |  |  |  |  |  |  |  |   |  |  |  |  |  |   |   |   |   |
| G                | RW | PLEN   |           |       | Length of preamble on air. Decision point: TASKS_START task |    |    |    |    |    |    |    |    |    |    |    |    |    |    |    |    |    |   |   |   |   |   |   |   |   |   |   |   |  |  |  |  |  |  |  |  |  |  |  |  |  |  |  |   |  |  |  |  |  |   |   |   |   |
|                  |    |        | 8bit      | 0     | 8-bit preamble  |    |    |    |    |    |    |    |    |    |    |    |    |    |    |    |    |    |   |   |   |   |   |   |   |   |   |   |   |  |  |  |  |  |  |  |  |  |  |  |  |  |  |  |   |  |  |  |  |  |   |   |   |   |
|                  |    |        | 16bit     | 1     | 16-bit preamble   |    |    |    |    |    |    |    |    |    |    |    |    |    |    |    |    |    |   |   |   |   |   |   |   |   |   |   |   |  |  |  |  |  |  |  |  |  |  |  |  |  |  |  |   |  |  |  |  |  |   |   |   |   |

### 23.14.13 PCNF1

Address offset: 0x518

Packet configuration register 1

| Bit number       | 31 | 30      | 29       | 28       | 27  | 26 | 25 | 24 | 23 | 22 | 21 | 20 | 19 | 18 | 17 | 16 | 15 | 14 | 13 | 12 | 11 | 10 | 9 | 8 | 7 | 6 | 5 | 4 | 3 | 2 | 1 | 0 |  |  |  |  |  |  |  |   |   |   |   |   |   |   |   |   |   |   |   |   |   |   |   |   |
|------------------|----|---------|----------|----------|---|----|----|----|----|----|----|----|----|----|----|----|----|----|----|----|----|----|---|---|---|---|---|---|---|---|---|---|--|--|--|--|--|--|--|---|---|---|---|---|---|---|---|---|---|---|---|---|---|---|---|---|
| Id               |    |         |          |          |   |    |    |    |    |    |    |    |    |    |    |    |    |    |    |    |    |    |   |   |   |   |   | E | D |   |   |   |  |  |  |  |  |  |  | C | C | C | B | B | B | B | B | B | B | A | A | A | A | A | A | A |
| Reset 0x00000000 | 0  | 0       | 0        | 0        | 0   | 0  | 0  | 0  | 0  | 0  | 0  | 0  | 0  | 0  | 0  | 0  | 0  | 0  | 0  | 0  | 0  | 0  | 0 | 0 | 0 | 0 | 0 | 0 | 0 | 0 | 0 | 0 |  |  |  |  |  |  |  |   |   |   |   |   |   |   |   |   |   |   |   |   |   |   |   |   |
| Id               | RW | Field   | Value Id | Value    | Description   |    |    |    |    |    |    |    |    |    |    |    |    |    |    |    |    |    |   |   |   |   |   |   |   |   |   |   |  |  |  |  |  |  |  |   |   |   |   |   |   |   |   |   |   |   |   |   |   |   |   |   |
| A                | RW | MAXLEN  |          | [0..255] | Maximum length of packet payload. If the packet payload is larger than MAXLEN, the radio will truncate the payload to MAXLEN.   |    |    |    |    |    |    |    |    |    |    |    |    |    |    |    |    |    |   |   |   |   |   |   |   |   |   |   |  |  |  |  |  |  |  |   |   |   |   |   |   |   |   |   |   |   |   |   |   |   |   |   |
| B                | RW | STATLEN |          | [0..255] | Static length in number of bytes  |    |    |    |    |    |    |    |    |    |    |    |    |    |    |    |    |    |   |   |   |   |   |   |   |   |   |   |  |  |  |  |  |  |  |   |   |   |   |   |   |   |   |   |   |   |   |   |   |   |   |   |
|                  |    |         |          |          | The static length parameter is added to the total length of the payload when sending and receiving packets, e.g. if the static length is set to N the radio will receive or send N bytes more than what is defined in the LENGTH field of the packet. |    |    |    |    |    |    |    |    |    |    |    |    |    |    |    |    |    |   |   |   |   |   |   |   |   |   |   |  |  |  |  |  |  |  |   |   |   |   |   |   |   |   |   |   |   |   |   |   |   |   |   |
| C                | RW | BALEN   |          | [2..4]   | Base address length in number of bytes  |    |    |    |    |    |    |    |    |    |    |    |    |    |    |    |    |    |   |   |   |   |   |   |   |   |   |   |  |  |  |  |  |  |  |   |   |   |   |   |   |   |   |   |   |   |   |   |   |   |   |   |
|                  |    |         |          |          | The address field is composed of the base address and the one byte long address prefix, e.g. set BALEN=2 to get a total address of 3 bytes.   |    |    |    |    |    |    |    |    |    |    |    |    |    |    |    |    |    |   |   |   |   |   |   |   |   |   |   |  |  |  |  |  |  |  |   |   |   |   |   |   |   |   |   |   |   |   |   |   |   |   |   |
| D                | RW | ENDIAN  |          |          | On air endianness of packet, this applies to the S0, LENGTH, S1 and the PAYLOAD fields.   |    |    |    |    |    |    |    |    |    |    |    |    |    |    |    |    |    |   |   |   |   |   |   |   |   |   |   |  |  |  |  |  |  |  |   |   |   |   |   |   |   |   |   |   |   |   |   |   |   |   |   |
|                  |    |         | Little   | 0        | Least Significant bit on air first  |    |    |    |    |    |    |    |    |    |    |    |    |    |    |    |    |    |   |   |   |   |   |   |   |   |   |   |  |  |  |  |  |  |  |   |   |   |   |   |   |   |   |   |   |   |   |   |   |   |   |   |
|                  |    |         | Big      | 1        | Most significant bit on air first   |    |    |    |    |    |    |    |    |    |    |    |    |    |    |    |    |    |   |   |   |   |   |   |   |   |   |   |  |  |  |  |  |  |  |   |   |   |   |   |   |   |   |   |   |   |   |   |   |   |   |   |
| E                | RW | WHITEEN |          |          | Enable or disable packet whitening  |    |    |    |    |    |    |    |    |    |    |    |    |    |    |    |    |    |   |   |   |   |   |   |   |   |   |   |  |  |  |  |  |  |  |   |   |   |   |   |   |   |   |   |   |   |   |   |   |   |   |   |
|                  |    |         | Disabled | 0        | Disable   |    |    |    |    |    |    |    |    |    |    |    |    |    |    |    |    |    |   |   |   |   |   |   |   |   |   |   |  |  |  |  |  |  |  |   |   |   |   |   |   |   |   |   |   |   |   |   |   |   |   |   |

| Bit number       | 31 | 30    | 29       | 28    | 27          | 26 | 25 | 24 | 23 | 22 | 21 | 20 | 19 | 18 | 17 | 16 | 15 | 14 | 13 | 12 | 11 | 10 | 9 | 8 | 7 | 6 | 5 | 4 | 3 | 2 | 1 | 0 |
|------------------|----|-------|----------|-------|-------------|----|----|----|----|----|----|----|----|----|----|----|----|----|----|----|----|----|---|---|---|---|---|---|---|---|---|---|
| Id               |    |       |          |       |             |    |    | E  | D  |    |    |    |    |    |    | C  | C  | C  | B  | B  | B  | B  | B | B | A | A | A | A | A | A | A | A |
| Reset 0x00000000 | 0  | 0     | 0        | 0     | 0           | 0  | 0  | 0  | 0  | 0  | 0  | 0  | 0  | 0  | 0  | 0  | 0  | 0  | 0  | 0  | 0  | 0  | 0 | 0 | 0 | 0 | 0 | 0 | 0 | 0 | 0 | 0 |
| Id               | RW | Field | Value Id | Value | Description |    |    |    |    |    |    |    |    |    |    |    |    |    |    |    |    |    |   |   |   |   |   |   |   |   |   |   |
|                  |    |       | Enabled  | 1     | Enable      |    |    |    |    |    |    |    |    |    |    |    |    |    |    |    |    |    |   |   |   |   |   |   |   |   |   |   |

### 23.14.14 BASE0

Address offset: 0x51C

Base address 0

| Bit number       | 31 | 30    | 29       | 28    | 27                                      | 26 | 25 | 24 | 23 | 22 | 21 | 20 | 19 | 18 | 17 | 16 | 15 | 14 | 13 | 12 | 11 | 10 | 9 | 8 | 7 | 6 | 5 | 4 | 3 | 2 | 1 | 0 |
|------------------|----|-------|----------|-------|---|----|----|----|----|----|----|----|----|----|----|----|----|----|----|----|----|----|---|---|---|---|---|---|---|---|---|---|
| Id               | A  | A     | A        | A     | A                                       | A  | A  | A  | A  | A  | A  | A  | A  | A  | A  | A  | A  | A  | A  | A  | A  | A  | A | A | A | A | A | A | A | A | A |   |
| Reset 0x00000000 | 0  | 0     | 0        | 0     | 0                                       | 0  | 0  | 0  | 0  | 0  | 0  | 0  | 0  | 0  | 0  | 0  | 0  | 0  | 0  | 0  | 0  | 0  | 0 | 0 | 0 | 0 | 0 | 0 | 0 | 0 | 0 |   |
| Id               | RW | Field | Value Id | Value | Description                             |    |    |    |    |    |    |    |    |    |    |    |    |    |    |    |    |    |   |   |   |   |   |   |   |   |   |   |
| A                | RW | BASE0 |          |       | Base address 0<br>Radio base address 0. |    |    |    |    |    |    |    |    |    |    |    |    |    |    |    |    |    |   |   |   |   |   |   |   |   |   |   |

### 23.14.15 BASE1

Address offset: 0x520

Base address 1

| Bit number       | 31 | 30    | 29       | 28    | 27                                      | 26 | 25 | 24 | 23 | 22 | 21 | 20 | 19 | 18 | 17 | 16 | 15 | 14 | 13 | 12 | 11 | 10 | 9 | 8 | 7 | 6 | 5 | 4 | 3 | 2 | 1 | 0 |
|------------------|----|-------|----------|-------|---|----|----|----|----|----|----|----|----|----|----|----|----|----|----|----|----|----|---|---|---|---|---|---|---|---|---|---|
| Id               | A  | A     | A        | A     | A                                       | A  | A  | A  | A  | A  | A  | A  | A  | A  | A  | A  | A  | A  | A  | A  | A  | A  | A | A | A | A | A | A | A | A | A |   |
| Reset 0x00000000 | 0  | 0     | 0        | 0     | 0                                       | 0  | 0  | 0  | 0  | 0  | 0  | 0  | 0  | 0  | 0  | 0  | 0  | 0  | 0  | 0  | 0  | 0  | 0 | 0 | 0 | 0 | 0 | 0 | 0 | 0 | 0 |   |
| Id               | RW | Field | Value Id | Value | Description                             |    |    |    |    |    |    |    |    |    |    |    |    |    |    |    |    |    |   |   |   |   |   |   |   |   |   |   |
| A                | RW | BASE1 |          |       | Base address 1<br>Radio base address 1. |    |    |    |    |    |    |    |    |    |    |    |    |    |    |    |    |    |   |   |   |   |   |   |   |   |   |   |

### 23.14.16 PREFIX0

Address offset: 0x524

Prefixes bytes for logical addresses 0-3

| Bit number       | 31 | 30    | 29       | 28    | 27                | 26 | 25 | 24 | 23 | 22 | 21 | 20 | 19 | 18 | 17 | 16 | 15 | 14 | 13 | 12 | 11 | 10 | 9 | 8 | 7 | 6 | 5 | 4 | 3 | 2 | 1 | 0 |
|------------------|----|-------|----------|-------|-------------------|----|----|----|----|----|----|----|----|----|----|----|----|----|----|----|----|----|---|---|---|---|---|---|---|---|---|---|
| Id               | D  | D     | D        | D     | D                 | D  | D  | D  | C  | C  | C  | C  | C  | C  | C  | B  | B  | B  | B  | B  | B  | B  | B | A | A | A | A | A | A | A | A |   |
| Reset 0x00000000 | 0  | 0     | 0        | 0     | 0                 | 0  | 0  | 0  | 0  | 0  | 0  | 0  | 0  | 0  | 0  | 0  | 0  | 0  | 0  | 0  | 0  | 0  | 0 | 0 | 0 | 0 | 0 | 0 | 0 | 0 | 0 |   |
| Id               | RW | Field | Value Id | Value | Description       |    |    |    |    |    |    |    |    |    |    |    |    |    |    |    |    |    |   |   |   |   |   |   |   |   |   |   |
| A                | RW | AP0   |          |       | Address prefix 0. |    |    |    |    |    |    |    |    |    |    |    |    |    |    |    |    |    |   |   |   |   |   |   |   |   |   |   |
| B                | RW | AP1   |          |       | Address prefix 1. |    |    |    |    |    |    |    |    |    |    |    |    |    |    |    |    |    |   |   |   |   |   |   |   |   |   |   |
| C                | RW | AP2   |          |       | Address prefix 2. |    |    |    |    |    |    |    |    |    |    |    |    |    |    |    |    |    |   |   |   |   |   |   |   |   |   |   |
| D                | RW | AP3   |          |       | Address prefix 3. |    |    |    |    |    |    |    |    |    |    |    |    |    |    |    |    |    |   |   |   |   |   |   |   |   |   |   |

### 23.14.17 PREFIX1

Address offset: 0x528

Prefixes bytes for logical addresses 4-7

| Bit number       | 31 | 30    | 29       | 28    | 27                | 26 | 25 | 24 | 23 | 22 | 21 | 20 | 19 | 18 | 17 | 16 | 15 | 14 | 13 | 12 | 11 | 10 | 9 | 8 | 7 | 6 | 5 | 4 | 3 | 2 | 1 | 0 |
|------------------|----|-------|----------|-------|-------------------|----|----|----|----|----|----|----|----|----|----|----|----|----|----|----|----|----|---|---|---|---|---|---|---|---|---|---|
| Id               | D  | D     | D        | D     | D                 | D  | D  | D  | C  | C  | C  | C  | C  | C  | C  | B  | B  | B  | B  | B  | B  | B  | B | A | A | A | A | A | A | A | A |   |
| Reset 0x00000000 | 0  | 0     | 0        | 0     | 0                 | 0  | 0  | 0  | 0  | 0  | 0  | 0  | 0  | 0  | 0  | 0  | 0  | 0  | 0  | 0  | 0  | 0  | 0 | 0 | 0 | 0 | 0 | 0 | 0 | 0 | 0 |   |
| Id               | RW | Field | Value Id | Value | Description       |    |    |    |    |    |    |    |    |    |    |    |    |    |    |    |    |    |   |   |   |   |   |   |   |   |   |   |
| A                | RW | AP4   |          |       | Address prefix 4. |    |    |    |    |    |    |    |    |    |    |    |    |    |    |    |    |    |   |   |   |   |   |   |   |   |   |   |
| B                | RW | AP5   |          |       | Address prefix 5. |    |    |    |    |    |    |    |    |    |    |    |    |    |    |    |    |    |   |   |   |   |   |   |   |   |   |   |
| C                | RW | AP6   |          |       | Address prefix 6. |    |    |    |    |    |    |    |    |    |    |    |    |    |    |    |    |    |   |   |   |   |   |   |   |   |   |   |
| D                | RW | AP7   |          |       | Address prefix 7. |    |    |    |    |    |    |    |    |    |    |    |    |    |    |    |    |    |   |   |   |   |   |   |   |   |   |   |

### 23.14.18 TXADDRESS

Address offset: 0x52C

Transmit address select

| Bit number   | 31 | 30        | 29    | 28 | 27    | 26                      | 25 | 24 | 23 | 22 | 21 | 20 | 19 | 18 | 17 | 16 | 15 | 14 | 13 | 12 | 11 | 10 | 9 | 8 | 7 | 6 | 5 | 4 | 3 | 2 | 1 | 0 |
|--|----|-----------|-------|----|-------|-------------------------|----|----|----|----|----|----|----|----|----|----|----|----|----|----|----|----|---|---|---|---|---|---|---|---|---|---|
| Id   |    |           |       |    |       |                         |    |    |    |    |    |    |    |    |    |    |    |    |    |    |    |    |   |   |   |   | A | A | A |   |   |   |
| Reset 0x00000000                                       | 0  | 0         | 0     | 0  | 0     | 0                       | 0  | 0  | 0  | 0  | 0  | 0  | 0  | 0  | 0  | 0  | 0  | 0  | 0  | 0  | 0  | 0  | 0 | 0 | 0 | 0 | 0 | 0 | 0 | 0 | 0 | 0 |
| Id   | RW | Field     | Value | Id | Value | Description             |    |    |    |    |    |    |    |    |    |    |    |    |    |    |    |    |   |   |   |   |   |   |   |   |   |   |
| A  | RW | TXADDRESS |       |    |       | Transmit address select |    |    |    |    |    |    |    |    |    |    |    |    |    |    |    |    |   |   |   |   |   |   |   |   |   |   |
| Logical address to be used when transmitting a packet. |    |           |       |    |       |                         |    |    |    |    |    |    |    |    |    |    |    |    |    |    |    |    |   |   |   |   |   |   |   |   |   |   |

### 23.14.19 RXADDRESSES

Address offset: 0x530

Receive address select

| Bit number       | 31 | 30    | 29    | 28 | 27       | 26  | 25      | 24 | 23 | 22 | 21 | 20 | 19 | 18 | 17 | 16 | 15 | 14 | 13 | 12 | 11 | 10 | 9 | 8 | 7 | 6 | 5 | 4 | 3 | 2 | 1 | 0 |   |   |
|------------------|----|-------|-------|----|----------|---|---------|----|----|----|----|----|----|----|----|----|----|----|----|----|----|----|---|---|---|---|---|---|---|---|---|---|---|---|
| Id               |    |       |       |    |          |   |         |    |    |    |    |    |    |    |    |    |    |    |    |    |    |    |   |   |   |   | H | G | F | E | D | C | B | A |
| Reset 0x00000000 | 0  | 0     | 0     | 0  | 0        | 0   | 0       | 0  | 0  | 0  | 0  | 0  | 0  | 0  | 0  | 0  | 0  | 0  | 0  | 0  | 0  | 0  | 0 | 0 | 0 | 0 | 0 | 0 | 0 | 0 | 0 |   |   |   |
| Id               | RW | Field | Value | Id | Value    | Description                                       |         |    |    |    |    |    |    |    |    |    |    |    |    |    |    |    |   |   |   |   |   |   |   |   |   |   |   |   |
| A                | RW | ADDR0 |       |    |          | Enable or disable reception on logical address 0. |         |    |    |    |    |    |    |    |    |    |    |    |    |    |    |    |   |   |   |   |   |   |   |   |   |   |   |   |
|                  |    |       |       |    | Disabled | 0   | Disable |    |    |    |    |    |    |    |    |    |    |    |    |    |    |    |   |   |   |   |   |   |   |   |   |   |   |   |
|                  |    |       |       |    | Enabled  | 1   | Enable  |    |    |    |    |    |    |    |    |    |    |    |    |    |    |    |   |   |   |   |   |   |   |   |   |   |   |   |
| B                | RW | ADDR1 |       |    |          | Enable or disable reception on logical address 1. |         |    |    |    |    |    |    |    |    |    |    |    |    |    |    |    |   |   |   |   |   |   |   |   |   |   |   |   |
|                  |    |       |       |    | Disabled | 0   | Disable |    |    |    |    |    |    |    |    |    |    |    |    |    |    |    |   |   |   |   |   |   |   |   |   |   |   |   |
|                  |    |       |       |    | Enabled  | 1   | Enable  |    |    |    |    |    |    |    |    |    |    |    |    |    |    |    |   |   |   |   |   |   |   |   |   |   |   |   |
| C                | RW | ADDR2 |       |    |          | Enable or disable reception on logical address 2. |         |    |    |    |    |    |    |    |    |    |    |    |    |    |    |    |   |   |   |   |   |   |   |   |   |   |   |   |
|                  |    |       |       |    | Disabled | 0   | Disable |    |    |    |    |    |    |    |    |    |    |    |    |    |    |    |   |   |   |   |   |   |   |   |   |   |   |   |
|                  |    |       |       |    | Enabled  | 1   | Enable  |    |    |    |    |    |    |    |    |    |    |    |    |    |    |    |   |   |   |   |   |   |   |   |   |   |   |   |
| D                | RW | ADDR3 |       |    |          | Enable or disable reception on logical address 3. |         |    |    |    |    |    |    |    |    |    |    |    |    |    |    |    |   |   |   |   |   |   |   |   |   |   |   |   |
|                  |    |       |       |    | Disabled | 0   | Disable |    |    |    |    |    |    |    |    |    |    |    |    |    |    |    |   |   |   |   |   |   |   |   |   |   |   |   |
|                  |    |       |       |    | Enabled  | 1   | Enable  |    |    |    |    |    |    |    |    |    |    |    |    |    |    |    |   |   |   |   |   |   |   |   |   |   |   |   |
| E                | RW | ADDR4 |       |    |          | Enable or disable reception on logical address 4. |         |    |    |    |    |    |    |    |    |    |    |    |    |    |    |    |   |   |   |   |   |   |   |   |   |   |   |   |
|                  |    |       |       |    | Disabled | 0   | Disable |    |    |    |    |    |    |    |    |    |    |    |    |    |    |    |   |   |   |   |   |   |   |   |   |   |   |   |
|                  |    |       |       |    | Enabled  | 1   | Enable  |    |    |    |    |    |    |    |    |    |    |    |    |    |    |    |   |   |   |   |   |   |   |   |   |   |   |   |
| F                | RW | ADDR5 |       |    |          | Enable or disable reception on logical address 5. |         |    |    |    |    |    |    |    |    |    |    |    |    |    |    |    |   |   |   |   |   |   |   |   |   |   |   |   |
|                  |    |       |       |    | Disabled | 0   | Disable |    |    |    |    |    |    |    |    |    |    |    |    |    |    |    |   |   |   |   |   |   |   |   |   |   |   |   |
|                  |    |       |       |    | Enabled  | 1   | Enable  |    |    |    |    |    |    |    |    |    |    |    |    |    |    |    |   |   |   |   |   |   |   |   |   |   |   |   |
| G                | RW | ADDR6 |       |    |          | Enable or disable reception on logical address 6. |         |    |    |    |    |    |    |    |    |    |    |    |    |    |    |    |   |   |   |   |   |   |   |   |   |   |   |   |
|                  |    |       |       |    | Disabled | 0   | Disable |    |    |    |    |    |    |    |    |    |    |    |    |    |    |    |   |   |   |   |   |   |   |   |   |   |   |   |
|                  |    |       |       |    | Enabled  | 1   | Enable  |    |    |    |    |    |    |    |    |    |    |    |    |    |    |    |   |   |   |   |   |   |   |   |   |   |   |   |
| H                | RW | ADDR7 |       |    |          | Enable or disable reception on logical address 7. |         |    |    |    |    |    |    |    |    |    |    |    |    |    |    |    |   |   |   |   |   |   |   |   |   |   |   |   |
|                  |    |       |       |    | Disabled | 0   | Disable |    |    |    |    |    |    |    |    |    |    |    |    |    |    |    |   |   |   |   |   |   |   |   |   |   |   |   |
|                  |    |       |       |    | Enabled  | 1   | Enable  |    |    |    |    |    |    |    |    |    |    |    |    |    |    |    |   |   |   |   |   |   |   |   |   |   |   |   |

### 23.14.20 CRCCNF

Address offset: 0x534

CRC configuration

| Bit number       | 31 | 30    | 29     | 28 | 27       | 26                             | 25   | 24 | 23 | 22 | 21 | 20 | 19 | 18 | 17 | 16 | 15 | 14 | 13 | 12 | 11 | 10 | 9 | 8 | 7 | 6 | 5 | 4 | 3 | 2 | 1 | 0 |
|------------------|----|-------|--------|----|----------|--------------------------------|--|----|----|----|----|----|----|----|----|----|----|----|----|----|----|----|---|---|---|---|---|---|---|---|---|---|
| Id               |    |       |        |    |          |                                |  |    |    |    |    |    |    |    |    |    |    |    |    |    |    |    |   |   |   |   | B | A | A |   |   |   |
| Reset 0x00000000 | 0  | 0     | 0      | 0  | 0        | 0                              | 0  | 0  | 0  | 0  | 0  | 0  | 0  | 0  | 0  | 0  | 0  | 0  | 0  | 0  | 0  | 0  | 0 | 0 | 0 | 0 | 0 | 0 | 0 | 0 | 0 |   |
| Id               | RW | Field | Value  | Id | Value    | Description                    |  |    |    |    |    |    |    |    |    |    |    |    |    |    |    |    |   |   |   |   |   |   |   |   |   |   |
| A                | RW | LEN   | [1..3] |    |          | CRC length in number of bytes. |  |    |    |    |    |    |    |    |    |    |    |    |    |    |    |    |   |   |   |   |   |   |   |   |   |   |
|                  |    |       |        |    | Disabled | 0                              | CRC length is zero and CRC calculation is disabled     |    |    |    |    |    |    |    |    |    |    |    |    |    |    |    |   |   |   |   |   |   |   |   |   |   |
|                  |    |       |        |    | One      | 1                              | CRC length is one byte and CRC calculation is enabled  |    |    |    |    |    |    |    |    |    |    |    |    |    |    |    |   |   |   |   |   |   |   |   |   |   |
|                  |    |       |        |    | Two      | 2                              | CRC length is two bytes and CRC calculation is enabled |    |    |    |    |    |    |    |    |    |    |    |    |    |    |    |   |   |   |   |   |   |   |   |   |   |

| Bit number       | 31 | 30       | 29       | 28    | 27  | 26 | 25 | 24 | 23 | 22 | 21 | 20 | 19 | 18 | 17 | 16 | 15 | 14 | 13 | 12 | 11 | 10 | 9 | 8 | 7 | 6 | 5 | 4 | 3 | 2 | 1 | 0 |   |
|------------------|----|----------|----------|-------|---|----|----|----|----|----|----|----|----|----|----|----|----|----|----|----|----|----|---|---|---|---|---|---|---|---|---|---|---|
| Id               |    |          |          |       |   |    |    |    |    |    |    |    |    |    |    |    |    |    |    |    |    |    |   | B |   |   | A | A |   |   |   |   |   |
| Reset 0x00000000 | 0  | 0        | 0        | 0     | 0   | 0  | 0  | 0  | 0  | 0  | 0  | 0  | 0  | 0  | 0  | 0  | 0  | 0  | 0  | 0  | 0  | 0  | 0 | 0 | 0 | 0 | 0 | 0 | 0 | 0 | 0 | 0 | 0 |
| Id               | RW | Field    | Value Id | Value | Description   |    |    |    |    |    |    |    |    |    |    |    |    |    |    |    |    |    |   |   |   |   |   |   |   |   |   |   |   |
|                  |    |          | Three    | 3     | CRC length is three bytes and CRC calculation is enabled  |    |    |    |    |    |    |    |    |    |    |    |    |    |    |    |    |    |   |   |   |   |   |   |   |   |   |   |   |
| B                | RW | SKIPADDR | Include  | 0     | Include or exclude packet address field out of CRC calculation.<br>CRC calculation includes address field           |    |    |    |    |    |    |    |    |    |    |    |    |    |    |    |    |    |   |   |   |   |   |   |   |   |   |   |   |
|                  |    |          | Skip     | 1     | CRC calculation does not include address field. The CRC calculation will start at the first byte after the address. |    |    |    |    |    |    |    |    |    |    |    |    |    |    |    |    |    |   |   |   |   |   |   |   |   |   |   |   |

### 23.14.21 CRCPOLY

Address offset: 0x538

CRC polynomial

| Bit number       | 31 | 30      | 29       | 28    | 27             | 26 | 25 | 24 | 23 | 22 | 21 | 20 | 19 | 18 | 17 | 16 | 15 | 14 | 13 | 12 | 11 | 10 | 9 | 8 | 7 | 6 | 5 | 4 | 3 | 2 | 1 | 0 |   |   |   |   |   |   |   |   |   |   |   |   |   |   |   |   |   |   |   |   |   |
|------------------|----|---------|----------|-------|----------------|----|----|----|----|----|----|----|----|----|----|----|----|----|----|----|----|----|---|---|---|---|---|---|---|---|---|---|---|---|---|---|---|---|---|---|---|---|---|---|---|---|---|---|---|---|---|---|---|
| Id               |    |         |          |       |                |    |    |    |    |    |    |    |    |    |    |    |    |    |    |    |    |    |   | A | A | A | A | A | A | A | A | A | A | A | A | A | A | A | A | A | A | A | A | A | A | A | A | A | A | A | A | A | A |
| Reset 0x00000000 | 0  | 0       | 0        | 0     | 0              | 0  | 0  | 0  | 0  | 0  | 0  | 0  | 0  | 0  | 0  | 0  | 0  | 0  | 0  | 0  | 0  | 0  | 0 | 0 | 0 | 0 | 0 | 0 | 0 | 0 | 0 | 0 |   |   |   |   |   |   |   |   |   |   |   |   |   |   |   |   |   |   |   |   |   |
| Id               | RW | Field   | Value Id | Value | Description    |    |    |    |    |    |    |    |    |    |    |    |    |    |    |    |    |    |   |   |   |   |   |   |   |   |   |   |   |   |   |   |   |   |   |   |   |   |   |   |   |   |   |   |   |   |   |   |   |
| A                | RW | CRCPOLY |          |       | CRC polynomial |    |    |    |    |    |    |    |    |    |    |    |    |    |    |    |    |    |   |   |   |   |   |   |   |   |   |   |   |   |   |   |   |   |   |   |   |   |   |   |   |   |   |   |   |   |   |   |   |

Each term in the CRC polynomial is mapped to a bit in this register which index corresponds to the term's exponent. The least significant term/bit is hard-wired internally to 1, and bit number 0 of the register content is ignored by the hardware. The following example is for an 8 bit CRC polynomial:  $x^8 + x^7 + x^3 + x^2 + 1 = 1\ 1000\ 1101$ .

### 23.14.22 CRCINIT

Address offset: 0x53C

CRC initial value

| Bit number       | 31 | 30      | 29       | 28    | 27                | 26 | 25 | 24 | 23 | 22 | 21 | 20 | 19 | 18 | 17 | 16 | 15 | 14 | 13 | 12 | 11 | 10 | 9 | 8 | 7 | 6 | 5 | 4 | 3 | 2 | 1 | 0 |   |   |   |   |   |   |   |   |   |   |   |   |   |   |   |   |   |   |   |   |
|------------------|----|---------|----------|-------|-------------------|----|----|----|----|----|----|----|----|----|----|----|----|----|----|----|----|----|---|---|---|---|---|---|---|---|---|---|---|---|---|---|---|---|---|---|---|---|---|---|---|---|---|---|---|---|---|---|
| Id               |    |         |          |       |                   |    |    |    |    |    |    |    |    |    |    |    |    |    |    |    |    |    |   | A | A | A | A | A | A | A | A | A | A | A | A | A | A | A | A | A | A | A | A | A | A | A | A | A | A | A | A | A |
| Reset 0x00000000 | 0  | 0       | 0        | 0     | 0                 | 0  | 0  | 0  | 0  | 0  | 0  | 0  | 0  | 0  | 0  | 0  | 0  | 0  | 0  | 0  | 0  | 0  | 0 | 0 | 0 | 0 | 0 | 0 | 0 | 0 | 0 | 0 |   |   |   |   |   |   |   |   |   |   |   |   |   |   |   |   |   |   |   |   |
| Id               | RW | Field   | Value Id | Value | Description       |    |    |    |    |    |    |    |    |    |    |    |    |    |    |    |    |    |   |   |   |   |   |   |   |   |   |   |   |   |   |   |   |   |   |   |   |   |   |   |   |   |   |   |   |   |   |   |
| A                | RW | CRCINIT |          |       | CRC initial value |    |    |    |    |    |    |    |    |    |    |    |    |    |    |    |    |    |   |   |   |   |   |   |   |   |   |   |   |   |   |   |   |   |   |   |   |   |   |   |   |   |   |   |   |   |   |   |

Initial value for CRC calculation.

### 23.14.23 TIFS

Address offset: 0x544

Inter Frame Spacing in us

| Bit number       | 31 | 30    | 29       | 28    | 27                        | 26 | 25 | 24 | 23 | 22 | 21 | 20 | 19 | 18 | 17 | 16 | 15 | 14 | 13 | 12 | 11 | 10 | 9 | 8 | 7 | 6 | 5 | 4 | 3 | 2 | 1 | 0 |   |   |   |   |   |   |   |   |   |   |   |   |   |   |   |   |   |   |   |   |
|------------------|----|-------|----------|-------|---------------------------|----|----|----|----|----|----|----|----|----|----|----|----|----|----|----|----|----|---|---|---|---|---|---|---|---|---|---|---|---|---|---|---|---|---|---|---|---|---|---|---|---|---|---|---|---|---|---|
| Id               |    |       |          |       |                           |    |    |    |    |    |    |    |    |    |    |    |    |    |    |    |    |    |   | A | A | A | A | A | A | A | A | A | A | A | A | A | A | A | A | A | A | A | A | A | A | A | A | A | A | A | A | A |
| Reset 0x00000000 | 0  | 0     | 0        | 0     | 0                         | 0  | 0  | 0  | 0  | 0  | 0  | 0  | 0  | 0  | 0  | 0  | 0  | 0  | 0  | 0  | 0  | 0  | 0 | 0 | 0 | 0 | 0 | 0 | 0 | 0 | 0 | 0 |   |   |   |   |   |   |   |   |   |   |   |   |   |   |   |   |   |   |   |   |
| Id               | RW | Field | Value Id | Value | Description               |    |    |    |    |    |    |    |    |    |    |    |    |    |    |    |    |    |   |   |   |   |   |   |   |   |   |   |   |   |   |   |   |   |   |   |   |   |   |   |   |   |   |   |   |   |   |   |
| A                | RW | TIFS  |          |       | Inter Frame Spacing in us |    |    |    |    |    |    |    |    |    |    |    |    |    |    |    |    |    |   |   |   |   |   |   |   |   |   |   |   |   |   |   |   |   |   |   |   |   |   |   |   |   |   |   |   |   |   |   |

Inter frame space is the time interval between two consecutive packets. It is defined as the time, in micro seconds, from the end of the last bit of the previous packet to the start of the first bit of the subsequent packet.

### 23.14.24 RSSISAMPLE

Address offset: 0x548

RSSI sample



|                  |    |    |    |    |    |    |    |    |    |    |    |    |    |    |    |    |    |    |    |    |    |    |   |   |   |   |   |   |   |   |   |   |
|------------------|----|----|----|----|----|----|----|----|----|----|----|----|----|----|----|----|----|----|----|----|----|----|---|---|---|---|---|---|---|---|---|---|
| Bit number       | 31 | 30 | 29 | 28 | 27 | 26 | 25 | 24 | 23 | 22 | 21 | 20 | 19 | 18 | 17 | 16 | 15 | 14 | 13 | 12 | 11 | 10 | 9 | 8 | 7 | 6 | 5 | 4 | 3 | 2 | 1 | 0 |
| Id               |    |    |    |    |    |    |    |    |    |    |    |    |    |    |    |    |    |    |    |    |    |    |   |   |   |   |   |   |   |   |   |   |
| Reset 0x00000000 | 0  | 0  | 0  | 0  | 0  | 0  | 0  | 0  | 0  | 0  | 0  | 0  | 0  | 0  | 0  | 0  | 0  | 0  | 0  | 0  | 0  | 0  | 0 | 0 | 0 | 0 | 0 | 0 | 0 | 0 | 0 | 0 |

| Id  | RW | Field      | Value Id | Value    | Description |
|---|----|------------|----------|----------|-------------|
| A   | R  | RSSISAMPLE |          | [0..127] | RSSI sample |
| <p>RSSI sample result. The value of this register is read as a positive value while the actual received signal strength is a negative value. Actual received signal strength is therefore as follows:<br/>received signal strength = -A dBm</p> |    |            |          |          |             |

### 23.14.25 STATE

Address offset: 0x550

Current radio state

|                  |    |    |    |    |    |    |    |    |    |    |    |    |    |    |    |    |    |    |    |    |    |    |   |   |   |   |   |   |   |   |   |   |
|------------------|----|----|----|----|----|----|----|----|----|----|----|----|----|----|----|----|----|----|----|----|----|----|---|---|---|---|---|---|---|---|---|---|
| Bit number       | 31 | 30 | 29 | 28 | 27 | 26 | 25 | 24 | 23 | 22 | 21 | 20 | 19 | 18 | 17 | 16 | 15 | 14 | 13 | 12 | 11 | 10 | 9 | 8 | 7 | 6 | 5 | 4 | 3 | 2 | 1 | 0 |
| Id               |    |    |    |    |    |    |    |    |    |    |    |    |    |    |    |    |    |    |    |    |    |    |   |   |   |   |   |   |   |   |   |   |
| Reset 0x00000000 | 0  | 0  | 0  | 0  | 0  | 0  | 0  | 0  | 0  | 0  | 0  | 0  | 0  | 0  | 0  | 0  | 0  | 0  | 0  | 0  | 0  | 0  | 0 | 0 | 0 | 0 | 0 | 0 | 0 | 0 | 0 |   |

| Id   | RW | Field                            | Value Id | Value | Description         |          |   |                                |      |   |                            |        |   |                              |    |   |                          |           |   |                                  |      |   |                            |        |    |                              |    |    |                          |           |    |                                  |
|--|----|----------------------------------|----------|-------|---------------------|----------|---|--------------------------------|------|---|----------------------------|--------|---|------------------------------|----|---|--------------------------|-----------|---|----------------------------------|------|---|----------------------------|--------|----|------------------------------|----|----|--------------------------|-----------|----|----------------------------------|
| A  | R  | STATE                            |          |       | Current radio state |          |   |                                |      |   |                            |        |   |                              |    |   |                          |           |   |                                  |      |   |                            |        |    |                              |    |    |                          |           |    |                                  |
| <table border="0"> <tr> <td style="padding-right: 20px;">Disabled</td> <td style="padding-right: 20px;">0</td> <td>RADIO is in the Disabled state</td> </tr> <tr> <td>RxRu</td> <td>1</td> <td>RADIO is in the RXRU state</td> </tr> <tr> <td>RxIdle</td> <td>2</td> <td>RADIO is in the RXIDLE state</td> </tr> <tr> <td>Rx</td> <td>3</td> <td>RADIO is in the RX state</td> </tr> <tr> <td>RxDisable</td> <td>4</td> <td>RADIO is in the RXDISABLED state</td> </tr> <tr> <td>TxRu</td> <td>9</td> <td>RADIO is in the TXRU state</td> </tr> <tr> <td>TxIdle</td> <td>10</td> <td>RADIO is in the TXIDLE state</td> </tr> <tr> <td>Tx</td> <td>11</td> <td>RADIO is in the TX state</td> </tr> <tr> <td>TxDisable</td> <td>12</td> <td>RADIO is in the TXDISABLED state</td> </tr> </table> |    |                                  |          |       |                     | Disabled | 0 | RADIO is in the Disabled state | RxRu | 1 | RADIO is in the RXRU state | RxIdle | 2 | RADIO is in the RXIDLE state | Rx | 3 | RADIO is in the RX state | RxDisable | 4 | RADIO is in the RXDISABLED state | TxRu | 9 | RADIO is in the TXRU state | TxIdle | 10 | RADIO is in the TXIDLE state | Tx | 11 | RADIO is in the TX state | TxDisable | 12 | RADIO is in the TXDISABLED state |
| Disabled   | 0  | RADIO is in the Disabled state   |          |       |                     |          |   |                                |      |   |                            |        |   |                              |    |   |                          |           |   |                                  |      |   |                            |        |    |                              |    |    |                          |           |    |                                  |
| RxRu   | 1  | RADIO is in the RXRU state       |          |       |                     |          |   |                                |      |   |                            |        |   |                              |    |   |                          |           |   |                                  |      |   |                            |        |    |                              |    |    |                          |           |    |                                  |
| RxIdle   | 2  | RADIO is in the RXIDLE state     |          |       |                     |          |   |                                |      |   |                            |        |   |                              |    |   |                          |           |   |                                  |      |   |                            |        |    |                              |    |    |                          |           |    |                                  |
| Rx   | 3  | RADIO is in the RX state         |          |       |                     |          |   |                                |      |   |                            |        |   |                              |    |   |                          |           |   |                                  |      |   |                            |        |    |                              |    |    |                          |           |    |                                  |
| RxDisable  | 4  | RADIO is in the RXDISABLED state |          |       |                     |          |   |                                |      |   |                            |        |   |                              |    |   |                          |           |   |                                  |      |   |                            |        |    |                              |    |    |                          |           |    |                                  |
| TxRu   | 9  | RADIO is in the TXRU state       |          |       |                     |          |   |                                |      |   |                            |        |   |                              |    |   |                          |           |   |                                  |      |   |                            |        |    |                              |    |    |                          |           |    |                                  |
| TxIdle   | 10 | RADIO is in the TXIDLE state     |          |       |                     |          |   |                                |      |   |                            |        |   |                              |    |   |                          |           |   |                                  |      |   |                            |        |    |                              |    |    |                          |           |    |                                  |
| Tx   | 11 | RADIO is in the TX state         |          |       |                     |          |   |                                |      |   |                            |        |   |                              |    |   |                          |           |   |                                  |      |   |                            |        |    |                              |    |    |                          |           |    |                                  |
| TxDisable  | 12 | RADIO is in the TXDISABLED state |          |       |                     |          |   |                                |      |   |                            |        |   |                              |    |   |                          |           |   |                                  |      |   |                            |        |    |                              |    |    |                          |           |    |                                  |

### 23.14.26 DATAWHITEIV

Address offset: 0x554

Data whitening initial value

|                  |    |    |    |    |    |    |    |    |    |    |    |    |    |    |    |    |    |    |    |    |    |    |   |   |   |   |   |   |   |   |   |   |
|------------------|----|----|----|----|----|----|----|----|----|----|----|----|----|----|----|----|----|----|----|----|----|----|---|---|---|---|---|---|---|---|---|---|
| Bit number       | 31 | 30 | 29 | 28 | 27 | 26 | 25 | 24 | 23 | 22 | 21 | 20 | 19 | 18 | 17 | 16 | 15 | 14 | 13 | 12 | 11 | 10 | 9 | 8 | 7 | 6 | 5 | 4 | 3 | 2 | 1 | 0 |
| Id               |    |    |    |    |    |    |    |    |    |    |    |    |    |    |    |    |    |    |    |    |    |    |   |   |   |   |   |   |   |   |   |   |
| Reset 0x00000040 | 0  | 0  | 0  | 0  | 0  | 0  | 0  | 0  | 0  | 0  | 0  | 0  | 0  | 0  | 0  | 0  | 0  | 0  | 0  | 0  | 0  | 0  | 0 | 0 | 0 | 1 | 0 | 0 | 0 | 0 | 0 |   |

| Id  | RW | Field       | Value Id | Value | Description   |
|---|----|-------------|----------|-------|---|
| A   | RW | DATAWHITEIV |          |       | Data whitening initial value. Bit 6 is hard-wired to '1', writing '0' to it has no effect, and it will always be read back and used by the device as '1'. |
| <p>Bit 0 corresponds to Position 6 of the LFSR, Bit 1 to Position 5, etc.</p> |    |             |          |       |   |

### 23.14.27 BCC

Address offset: 0x560

Bit counter compare

|                  |    |    |    |    |    |    |    |    |    |    |    |    |    |    |    |    |    |    |    |    |    |    |   |   |   |   |   |   |   |   |   |   |
|------------------|----|----|----|----|----|----|----|----|----|----|----|----|----|----|----|----|----|----|----|----|----|----|---|---|---|---|---|---|---|---|---|---|
| Bit number       | 31 | 30 | 29 | 28 | 27 | 26 | 25 | 24 | 23 | 22 | 21 | 20 | 19 | 18 | 17 | 16 | 15 | 14 | 13 | 12 | 11 | 10 | 9 | 8 | 7 | 6 | 5 | 4 | 3 | 2 | 1 | 0 |
| Id               | A  | A  | A  | A  | A  | A  | A  | A  | A  | A  | A  | A  | A  | A  | A  | A  | A  | A  | A  | A  | A  | A  | A | A | A | A | A | A | A | A | A |   |
| Reset 0x00000000 | 0  | 0  | 0  | 0  | 0  | 0  | 0  | 0  | 0  | 0  | 0  | 0  | 0  | 0  | 0  | 0  | 0  | 0  | 0  | 0  | 0  | 0  | 0 | 0 | 0 | 0 | 0 | 0 | 0 | 0 | 0 |   |

| Id                                  | RW | Field | Value Id | Value | Description         |
|-------------------------------------|----|-------|----------|-------|---------------------|
| A                                   | RW | BCC   |          |       | Bit counter compare |
| <p>Bit counter compare register</p> |    |       |          |       |                     |

### 23.14.28 DAB[0]

Address offset: 0x600

Device address base segment 0

| Bit number       | 31 | 30    | 29       | 28    | 27                            | 26 | 25 | 24 | 23 | 22 | 21 | 20 | 19 | 18 | 17 | 16 | 15 | 14 | 13 | 12 | 11 | 10 | 9 | 8 | 7 | 6 | 5 | 4 | 3 | 2 | 1 | 0 |   |
|------------------|----|-------|----------|-------|-------------------------------|----|----|----|----|----|----|----|----|----|----|----|----|----|----|----|----|----|---|---|---|---|---|---|---|---|---|---|---|
| Id               | A  | A     | A        | A     | A                             | A  | A  | A  | A  | A  | A  | A  | A  | A  | A  | A  | A  | A  | A  | A  | A  | A  | A | A | A | A | A | A | A | A | A | A | A |
| Reset 0x00000000 | 0  | 0     | 0        | 0     | 0                             | 0  | 0  | 0  | 0  | 0  | 0  | 0  | 0  | 0  | 0  | 0  | 0  | 0  | 0  | 0  | 0  | 0  | 0 | 0 | 0 | 0 | 0 | 0 | 0 | 0 | 0 | 0 | 0 |
| Id               | RW | Field | Value Id | Value | Description                   |    |    |    |    |    |    |    |    |    |    |    |    |    |    |    |    |    |   |   |   |   |   |   |   |   |   |   |   |
| A                | RW | DAB   |          |       | Device address base segment 0 |    |    |    |    |    |    |    |    |    |    |    |    |    |    |    |    |    |   |   |   |   |   |   |   |   |   |   |   |

### 23.14.29 DAB[1]

Address offset: 0x604

Device address base segment 1

| Bit number       | 31 | 30    | 29       | 28    | 27                            | 26 | 25 | 24 | 23 | 22 | 21 | 20 | 19 | 18 | 17 | 16 | 15 | 14 | 13 | 12 | 11 | 10 | 9 | 8 | 7 | 6 | 5 | 4 | 3 | 2 | 1 | 0 |
|------------------|----|-------|----------|-------|-------------------------------|----|----|----|----|----|----|----|----|----|----|----|----|----|----|----|----|----|---|---|---|---|---|---|---|---|---|---|
| Id               | A  | A     | A        | A     | A                             | A  | A  | A  | A  | A  | A  | A  | A  | A  | A  | A  | A  | A  | A  | A  | A  | A  | A | A | A | A | A | A | A | A | A | A |
| Reset 0x00000000 | 0  | 0     | 0        | 0     | 0                             | 0  | 0  | 0  | 0  | 0  | 0  | 0  | 0  | 0  | 0  | 0  | 0  | 0  | 0  | 0  | 0  | 0  | 0 | 0 | 0 | 0 | 0 | 0 | 0 | 0 | 0 | 0 |
| Id               | RW | Field | Value Id | Value | Description                   |    |    |    |    |    |    |    |    |    |    |    |    |    |    |    |    |    |   |   |   |   |   |   |   |   |   |   |
| A                | RW | DAB   |          |       | Device address base segment 1 |    |    |    |    |    |    |    |    |    |    |    |    |    |    |    |    |    |   |   |   |   |   |   |   |   |   |   |

### 23.14.30 DAB[2]

Address offset: 0x608

Device address base segment 2

| Bit number       | 31 | 30    | 29       | 28    | 27                            | 26 | 25 | 24 | 23 | 22 | 21 | 20 | 19 | 18 | 17 | 16 | 15 | 14 | 13 | 12 | 11 | 10 | 9 | 8 | 7 | 6 | 5 | 4 | 3 | 2 | 1 | 0 |
|------------------|----|-------|----------|-------|-------------------------------|----|----|----|----|----|----|----|----|----|----|----|----|----|----|----|----|----|---|---|---|---|---|---|---|---|---|---|
| Id               | A  | A     | A        | A     | A                             | A  | A  | A  | A  | A  | A  | A  | A  | A  | A  | A  | A  | A  | A  | A  | A  | A  | A | A | A | A | A | A | A | A | A | A |
| Reset 0x00000000 | 0  | 0     | 0        | 0     | 0                             | 0  | 0  | 0  | 0  | 0  | 0  | 0  | 0  | 0  | 0  | 0  | 0  | 0  | 0  | 0  | 0  | 0  | 0 | 0 | 0 | 0 | 0 | 0 | 0 | 0 | 0 | 0 |
| Id               | RW | Field | Value Id | Value | Description                   |    |    |    |    |    |    |    |    |    |    |    |    |    |    |    |    |    |   |   |   |   |   |   |   |   |   |   |
| A                | RW | DAB   |          |       | Device address base segment 2 |    |    |    |    |    |    |    |    |    |    |    |    |    |    |    |    |    |   |   |   |   |   |   |   |   |   |   |

### 23.14.31 DAB[3]

Address offset: 0x60C

Device address base segment 3

| Bit number       | 31 | 30    | 29       | 28    | 27                            | 26 | 25 | 24 | 23 | 22 | 21 | 20 | 19 | 18 | 17 | 16 | 15 | 14 | 13 | 12 | 11 | 10 | 9 | 8 | 7 | 6 | 5 | 4 | 3 | 2 | 1 | 0 |
|------------------|----|-------|----------|-------|-------------------------------|----|----|----|----|----|----|----|----|----|----|----|----|----|----|----|----|----|---|---|---|---|---|---|---|---|---|---|
| Id               | A  | A     | A        | A     | A                             | A  | A  | A  | A  | A  | A  | A  | A  | A  | A  | A  | A  | A  | A  | A  | A  | A  | A | A | A | A | A | A | A | A | A | A |
| Reset 0x00000000 | 0  | 0     | 0        | 0     | 0                             | 0  | 0  | 0  | 0  | 0  | 0  | 0  | 0  | 0  | 0  | 0  | 0  | 0  | 0  | 0  | 0  | 0  | 0 | 0 | 0 | 0 | 0 | 0 | 0 | 0 | 0 | 0 |
| Id               | RW | Field | Value Id | Value | Description                   |    |    |    |    |    |    |    |    |    |    |    |    |    |    |    |    |    |   |   |   |   |   |   |   |   |   |   |
| A                | RW | DAB   |          |       | Device address base segment 3 |    |    |    |    |    |    |    |    |    |    |    |    |    |    |    |    |    |   |   |   |   |   |   |   |   |   |   |

### 23.14.32 DAB[4]

Address offset: 0x610

Device address base segment 4

| Bit number       | 31 | 30    | 29       | 28    | 27                            | 26 | 25 | 24 | 23 | 22 | 21 | 20 | 19 | 18 | 17 | 16 | 15 | 14 | 13 | 12 | 11 | 10 | 9 | 8 | 7 | 6 | 5 | 4 | 3 | 2 | 1 | 0 |
|------------------|----|-------|----------|-------|-------------------------------|----|----|----|----|----|----|----|----|----|----|----|----|----|----|----|----|----|---|---|---|---|---|---|---|---|---|---|
| Id               | A  | A     | A        | A     | A                             | A  | A  | A  | A  | A  | A  | A  | A  | A  | A  | A  | A  | A  | A  | A  | A  | A  | A | A | A | A | A | A | A | A | A | A |
| Reset 0x00000000 | 0  | 0     | 0        | 0     | 0                             | 0  | 0  | 0  | 0  | 0  | 0  | 0  | 0  | 0  | 0  | 0  | 0  | 0  | 0  | 0  | 0  | 0  | 0 | 0 | 0 | 0 | 0 | 0 | 0 | 0 | 0 | 0 |
| Id               | RW | Field | Value Id | Value | Description                   |    |    |    |    |    |    |    |    |    |    |    |    |    |    |    |    |    |   |   |   |   |   |   |   |   |   |   |
| A                | RW | DAB   |          |       | Device address base segment 4 |    |    |    |    |    |    |    |    |    |    |    |    |    |    |    |    |    |   |   |   |   |   |   |   |   |   |   |

### 23.14.33 DAB[5]

Address offset: 0x614

Device address base segment 5

|                  |           |              |             |    |    |    |    |    |    |    |    |    |    |    |    |    |    |    |    |    |    |    |   |   |   |   |   |   |   |   |   |   |
|------------------|-----------|--------------|-------------|----|----|----|----|----|----|----|----|----|----|----|----|----|----|----|----|----|----|----|---|---|---|---|---|---|---|---|---|---|
| Bit number       | 31        | 30           | 29          | 28 | 27 | 26 | 25 | 24 | 23 | 22 | 21 | 20 | 19 | 18 | 17 | 16 | 15 | 14 | 13 | 12 | 11 | 10 | 9 | 8 | 7 | 6 | 5 | 4 | 3 | 2 | 1 | 0 |
| Id               | A         | A            | A           | A  | A  | A  | A  | A  | A  | A  | A  | A  | A  | A  | A  | A  | A  | A  | A  | A  | A  | A  | A | A | A | A | A | A | A | A | A | A |
| Reset 0x00000000 | 0         | 0            | 0           | 0  | 0  | 0  | 0  | 0  | 0  | 0  | 0  | 0  | 0  | 0  | 0  | 0  | 0  | 0  | 0  | 0  | 0  | 0  | 0 | 0 | 0 | 0 | 0 | 0 | 0 | 0 | 0 | 0 |
| <b>Id</b>        | <b>RW</b> | <b>Field</b> |             |    |    |    |    |    |    |    |    |    |    |    |    |    |    |    |    |    |    |    |   |   |   |   |   |   |   |   |   |   |
| A                | RW        | DAB          |             |    |    |    |    |    |    |    |    |    |    |    |    |    |    |    |    |    |    |    |   |   |   |   |   |   |   |   |   |   |
|                  |           |              | Value Id    |    |    |    |    |    |    |    |    |    |    |    |    |    |    |    |    |    |    |    |   |   |   |   |   |   |   |   |   |   |
|                  |           |              | Value       |    |    |    |    |    |    |    |    |    |    |    |    |    |    |    |    |    |    |    |   |   |   |   |   |   |   |   |   |   |
|                  |           |              | Description |    |    |    |    |    |    |    |    |    |    |    |    |    |    |    |    |    |    |    |   |   |   |   |   |   |   |   |   |   |
|                  |           |              |             |    |    |    |    |    |    |    |    |    |    |    |    |    |    |    |    |    |    |    |   |   |   |   |   |   |   |   |   |   |
|                  |           |              |             |    |    |    |    |    |    |    |    |    |    |    |    |    |    |    |    |    |    |    |   |   |   |   |   |   |   |   |   |   |

### 23.14.34 DAB[6]

Address offset: 0x618

Device address base segment 6

|                  |           |              |             |    |    |    |    |    |    |    |    |    |    |    |    |    |    |    |    |    |    |    |   |   |   |   |   |   |   |   |   |   |  |
|------------------|-----------|--------------|-------------|----|----|----|----|----|----|----|----|----|----|----|----|----|----|----|----|----|----|----|---|---|---|---|---|---|---|---|---|---|--|
| Bit number       | 31        | 30           | 29          | 28 | 27 | 26 | 25 | 24 | 23 | 22 | 21 | 20 | 19 | 18 | 17 | 16 | 15 | 14 | 13 | 12 | 11 | 10 | 9 | 8 | 7 | 6 | 5 | 4 | 3 | 2 | 1 | 0 |  |
| Id               | A         | A            | A           | A  | A  | A  | A  | A  | A  | A  | A  | A  | A  | A  | A  | A  | A  | A  | A  | A  | A  | A  | A | A | A | A | A | A | A | A | A | A |  |
| Reset 0x00000000 | 0         | 0            | 0           | 0  | 0  | 0  | 0  | 0  | 0  | 0  | 0  | 0  | 0  | 0  | 0  | 0  | 0  | 0  | 0  | 0  | 0  | 0  | 0 | 0 | 0 | 0 | 0 | 0 | 0 | 0 | 0 | 0 |  |
| <b>Id</b>        | <b>RW</b> | <b>Field</b> |             |    |    |    |    |    |    |    |    |    |    |    |    |    |    |    |    |    |    |    |   |   |   |   |   |   |   |   |   |   |  |
| A                | RW        | DAB          |             |    |    |    |    |    |    |    |    |    |    |    |    |    |    |    |    |    |    |    |   |   |   |   |   |   |   |   |   |   |  |
|                  |           |              | Value Id    |    |    |    |    |    |    |    |    |    |    |    |    |    |    |    |    |    |    |    |   |   |   |   |   |   |   |   |   |   |  |
|                  |           |              | Value       |    |    |    |    |    |    |    |    |    |    |    |    |    |    |    |    |    |    |    |   |   |   |   |   |   |   |   |   |   |  |
|                  |           |              | Description |    |    |    |    |    |    |    |    |    |    |    |    |    |    |    |    |    |    |    |   |   |   |   |   |   |   |   |   |   |  |
|                  |           |              |             |    |    |    |    |    |    |    |    |    |    |    |    |    |    |    |    |    |    |    |   |   |   |   |   |   |   |   |   |   |  |
|                  |           |              |             |    |    |    |    |    |    |    |    |    |    |    |    |    |    |    |    |    |    |    |   |   |   |   |   |   |   |   |   |   |  |

### 23.14.35 DAB[7]

Address offset: 0x61C

Device address base segment 7

|                  |           |              |             |    |    |    |    |    |    |    |    |    |    |    |    |    |    |    |    |    |    |    |   |   |   |   |   |   |   |   |   |   |  |
|------------------|-----------|--------------|-------------|----|----|----|----|----|----|----|----|----|----|----|----|----|----|----|----|----|----|----|---|---|---|---|---|---|---|---|---|---|--|
| Bit number       | 31        | 30           | 29          | 28 | 27 | 26 | 25 | 24 | 23 | 22 | 21 | 20 | 19 | 18 | 17 | 16 | 15 | 14 | 13 | 12 | 11 | 10 | 9 | 8 | 7 | 6 | 5 | 4 | 3 | 2 | 1 | 0 |  |
| Id               | A         | A            | A           | A  | A  | A  | A  | A  | A  | A  | A  | A  | A  | A  | A  | A  | A  | A  | A  | A  | A  | A  | A | A | A | A | A | A | A | A | A | A |  |
| Reset 0x00000000 | 0         | 0            | 0           | 0  | 0  | 0  | 0  | 0  | 0  | 0  | 0  | 0  | 0  | 0  | 0  | 0  | 0  | 0  | 0  | 0  | 0  | 0  | 0 | 0 | 0 | 0 | 0 | 0 | 0 | 0 | 0 | 0 |  |
| <b>Id</b>        | <b>RW</b> | <b>Field</b> |             |    |    |    |    |    |    |    |    |    |    |    |    |    |    |    |    |    |    |    |   |   |   |   |   |   |   |   |   |   |  |
| A                | RW        | DAB          |             |    |    |    |    |    |    |    |    |    |    |    |    |    |    |    |    |    |    |    |   |   |   |   |   |   |   |   |   |   |  |
|                  |           |              | Value Id    |    |    |    |    |    |    |    |    |    |    |    |    |    |    |    |    |    |    |    |   |   |   |   |   |   |   |   |   |   |  |
|                  |           |              | Value       |    |    |    |    |    |    |    |    |    |    |    |    |    |    |    |    |    |    |    |   |   |   |   |   |   |   |   |   |   |  |
|                  |           |              | Description |    |    |    |    |    |    |    |    |    |    |    |    |    |    |    |    |    |    |    |   |   |   |   |   |   |   |   |   |   |  |
|                  |           |              |             |    |    |    |    |    |    |    |    |    |    |    |    |    |    |    |    |    |    |    |   |   |   |   |   |   |   |   |   |   |  |
|                  |           |              |             |    |    |    |    |    |    |    |    |    |    |    |    |    |    |    |    |    |    |    |   |   |   |   |   |   |   |   |   |   |  |

### 23.14.36 DAP[0]

Address offset: 0x620

Device address prefix 0

|                  |           |              |             |    |    |    |    |    |    |    |    |    |    |    |    |    |    |    |    |    |    |    |   |   |   |   |   |   |   |   |   |   |  |
|------------------|-----------|--------------|-------------|----|----|----|----|----|----|----|----|----|----|----|----|----|----|----|----|----|----|----|---|---|---|---|---|---|---|---|---|---|--|
| Bit number       | 31        | 30           | 29          | 28 | 27 | 26 | 25 | 24 | 23 | 22 | 21 | 20 | 19 | 18 | 17 | 16 | 15 | 14 | 13 | 12 | 11 | 10 | 9 | 8 | 7 | 6 | 5 | 4 | 3 | 2 | 1 | 0 |  |
| Id               |           |              |             |    |    |    |    |    |    |    |    |    |    |    |    |    |    |    |    |    |    |    |   |   |   |   |   |   |   |   |   |   |  |
| Reset 0x00000000 | 0         | 0            | 0           | 0  | 0  | 0  | 0  | 0  | 0  | 0  | 0  | 0  | 0  | 0  | 0  | 0  | 0  | 0  | 0  | 0  | 0  | 0  | 0 | 0 | 0 | 0 | 0 | 0 | 0 | 0 | 0 | 0 |  |
| <b>Id</b>        | <b>RW</b> | <b>Field</b> |             |    |    |    |    |    |    |    |    |    |    |    |    |    |    |    |    |    |    |    |   |   |   |   |   |   |   |   |   |   |  |
| A                | RW        | DAP          |             |    |    |    |    |    |    |    |    |    |    |    |    |    |    |    |    |    |    |    |   |   |   |   |   |   |   |   |   |   |  |
|                  |           |              | Value Id    |    |    |    |    |    |    |    |    |    |    |    |    |    |    |    |    |    |    |    |   |   |   |   |   |   |   |   |   |   |  |
|                  |           |              | Value       |    |    |    |    |    |    |    |    |    |    |    |    |    |    |    |    |    |    |    |   |   |   |   |   |   |   |   |   |   |  |
|                  |           |              | Description |    |    |    |    |    |    |    |    |    |    |    |    |    |    |    |    |    |    |    |   |   |   |   |   |   |   |   |   |   |  |
|                  |           |              |             |    |    |    |    |    |    |    |    |    |    |    |    |    |    |    |    |    |    |    |   |   |   |   |   |   |   |   |   |   |  |
|                  |           |              |             |    |    |    |    |    |    |    |    |    |    |    |    |    |    |    |    |    |    |    |   |   |   |   |   |   |   |   |   |   |  |

### 23.14.37 DAP[1]

Address offset: 0x624

Device address prefix 1

|                  |           |              |             |    |    |    |    |    |    |    |    |    |    |    |    |    |    |    |    |    |    |    |   |   |   |   |   |   |   |   |   |   |
|------------------|-----------|--------------|-------------|----|----|----|----|----|----|----|----|----|----|----|----|----|----|----|----|----|----|----|---|---|---|---|---|---|---|---|---|---|
| Bit number       | 31        | 30           | 29          | 28 | 27 | 26 | 25 | 24 | 23 | 22 | 21 | 20 | 19 | 18 | 17 | 16 | 15 | 14 | 13 | 12 | 11 | 10 | 9 | 8 | 7 | 6 | 5 | 4 | 3 | 2 | 1 | 0 |
| Id               |           |              |             |    |    |    |    |    |    |    |    |    |    |    |    |    |    |    |    |    |    |    |   |   |   |   |   |   |   |   |   |   |
| Reset 0x00000000 | 0         | 0            | 0           | 0  | 0  | 0  | 0  | 0  | 0  | 0  | 0  | 0  | 0  | 0  | 0  | 0  | 0  | 0  | 0  | 0  | 0  | 0  | 0 | 0 | 0 | 0 | 0 | 0 | 0 | 0 | 0 | 0 |
| <b>Id</b>        | <b>RW</b> | <b>Field</b> |             |    |    |    |    |    |    |    |    |    |    |    |    |    |    |    |    |    |    |    |   |   |   |   |   |   |   |   |   |   |
| A                | RW        | DAP          |             |    |    |    |    |    |    |    |    |    |    |    |    |    |    |    |    |    |    |    |   |   |   |   |   |   |   |   |   |   |
|                  |           |              | Value Id    |    |    |    |    |    |    |    |    |    |    |    |    |    |    |    |    |    |    |    |   |   |   |   |   |   |   |   |   |   |
|                  |           |              | Value       |    |    |    |    |    |    |    |    |    |    |    |    |    |    |    |    |    |    |    |   |   |   |   |   |   |   |   |   |   |
|                  |           |              | Description |    |    |    |    |    |    |    |    |    |    |    |    |    |    |    |    |    |    |    |   |   |   |   |   |   |   |   |   |   |
|                  |           |              |             |    |    |    |    |    |    |    |    |    |    |    |    |    |    |    |    |    |    |    |   |   |   |   |   |   |   |   |   |   |
|                  |           |              |             |    |    |    |    |    |    |    |    |    |    |    |    |    |    |    |    |    |    |    |   |   |   |   |   |   |   |   |   |   |

### 23.14.38 DAP[2]

Address offset: 0x628

Device address prefix 2

|                  |           |              |             |    |    |    |    |    |    |    |    |    |    |    |    |    |    |    |    |    |    |    |   |   |   |   |   |   |   |   |   |   |
|------------------|-----------|--------------|-------------|----|----|----|----|----|----|----|----|----|----|----|----|----|----|----|----|----|----|----|---|---|---|---|---|---|---|---|---|---|
| Bit number       | 31        | 30           | 29          | 28 | 27 | 26 | 25 | 24 | 23 | 22 | 21 | 20 | 19 | 18 | 17 | 16 | 15 | 14 | 13 | 12 | 11 | 10 | 9 | 8 | 7 | 6 | 5 | 4 | 3 | 2 | 1 | 0 |
| Id               |           |              |             |    |    |    |    |    |    |    |    |    |    |    |    |    |    |    |    |    |    |    |   |   |   |   |   |   |   |   |   |   |
| Reset 0x00000000 | 0         | 0            | 0           | 0  | 0  | 0  | 0  | 0  | 0  | 0  | 0  | 0  | 0  | 0  | 0  | 0  | 0  | 0  | 0  | 0  | 0  | 0  | 0 | 0 | 0 | 0 | 0 | 0 | 0 | 0 | 0 | 0 |
| <b>Id</b>        | <b>RW</b> | <b>Field</b> |             |    |    |    |    |    |    |    |    |    |    |    |    |    |    |    |    |    |    |    |   |   |   |   |   |   |   |   |   |   |
| A                | RW        | DAP          |             |    |    |    |    |    |    |    |    |    |    |    |    |    |    |    |    |    |    |    |   |   |   |   |   |   |   |   |   |   |
|                  |           |              | Value Id    |    |    |    |    |    |    |    |    |    |    |    |    |    |    |    |    |    |    |    |   |   |   |   |   |   |   |   |   |   |
|                  |           |              | Value       |    |    |    |    |    |    |    |    |    |    |    |    |    |    |    |    |    |    |    |   |   |   |   |   |   |   |   |   |   |
|                  |           |              | Description |    |    |    |    |    |    |    |    |    |    |    |    |    |    |    |    |    |    |    |   |   |   |   |   |   |   |   |   |   |
|                  |           |              |             |    |    |    |    |    |    |    |    |    |    |    |    |    |    |    |    |    |    |    |   |   |   |   |   |   |   |   |   |   |
|                  |           |              |             |    |    |    |    |    |    |    |    |    |    |    |    |    |    |    |    |    |    |    |   |   |   |   |   |   |   |   |   |   |



| Bit number       | 31 30 29 28 27 26 25 24 23 22 21 20 19 18 17 16 15 14 13 12 11 10 9 8 7 6 5 4 3 2 1 0 |        |          |       |  |  |  |  |  |  |  |  |  |  |  |  |  |  |  |  |  |  |  |  |  |  |  |  |   |   |   |   |   |   |   |   |   |   |   |   |   |   |   |   |  |  |  |  |  |  |  |  |  |  |  |  |  |
|------------------|---|--------|----------|-------|--|--|--|--|--|--|--|--|--|--|--|--|--|--|--|--|--|--|--|--|--|--|--|--|---|---|---|---|---|---|---|---|---|---|---|---|---|---|---|---|--|--|--|--|--|--|--|--|--|--|--|--|--|
| Id               |   |        |          |       |  |  |  |  |  |  |  |  |  |  |  |  |  |  |  |  |  |  |  |  |  |  |  |  | P | O | N | M | L | K | J | I | H | G | F | E | D | C | B | A |  |  |  |  |  |  |  |  |  |  |  |  |  |
| Reset 0x00000000 | 0           |        |          |       |  |  |  |  |  |  |  |  |  |  |  |  |  |  |  |  |  |  |  |  |  |  |  |  |   |   |   |   |   |   |   |   |   |   |   |   |   |   |   |   |  |  |  |  |  |  |  |  |  |  |  |  |  |
| Id               | RW  | Field  | Value Id | Value | Description  |  |  |  |  |  |  |  |  |  |  |  |  |  |  |  |  |  |  |  |  |  |  |  |   |   |   |   |   |   |   |   |   |   |   |   |   |   |   |   |  |  |  |  |  |  |  |  |  |  |  |  |  |
| A                | RW  | ENA0   |          |       | Enable or disable device address matching using device address 0 |  |  |  |  |  |  |  |  |  |  |  |  |  |  |  |  |  |  |  |  |  |  |  |   |   |   |   |   |   |   |   |   |   |   |   |   |   |   |   |  |  |  |  |  |  |  |  |  |  |  |  |  |
|                  |   |        | Disabled | 0     | Disabled   |  |  |  |  |  |  |  |  |  |  |  |  |  |  |  |  |  |  |  |  |  |  |  |   |   |   |   |   |   |   |   |   |   |   |   |   |   |   |   |  |  |  |  |  |  |  |  |  |  |  |  |  |
|                  |   |        | Enabled  | 1     | Enabled  |  |  |  |  |  |  |  |  |  |  |  |  |  |  |  |  |  |  |  |  |  |  |  |   |   |   |   |   |   |   |   |   |   |   |   |   |   |   |   |  |  |  |  |  |  |  |  |  |  |  |  |  |
| B                | RW  | ENA1   |          |       | Enable or disable device address matching using device address 1 |  |  |  |  |  |  |  |  |  |  |  |  |  |  |  |  |  |  |  |  |  |  |  |   |   |   |   |   |   |   |   |   |   |   |   |   |   |   |   |  |  |  |  |  |  |  |  |  |  |  |  |  |
|                  |   |        | Disabled | 0     | Disabled   |  |  |  |  |  |  |  |  |  |  |  |  |  |  |  |  |  |  |  |  |  |  |  |   |   |   |   |   |   |   |   |   |   |   |   |   |   |   |   |  |  |  |  |  |  |  |  |  |  |  |  |  |
|                  |   |        | Enabled  | 1     | Enabled  |  |  |  |  |  |  |  |  |  |  |  |  |  |  |  |  |  |  |  |  |  |  |  |   |   |   |   |   |   |   |   |   |   |   |   |   |   |   |   |  |  |  |  |  |  |  |  |  |  |  |  |  |
| C                | RW  | ENA2   |          |       | Enable or disable device address matching using device address 2 |  |  |  |  |  |  |  |  |  |  |  |  |  |  |  |  |  |  |  |  |  |  |  |   |   |   |   |   |   |   |   |   |   |   |   |   |   |   |   |  |  |  |  |  |  |  |  |  |  |  |  |  |
|                  |   |        | Disabled | 0     | Disabled   |  |  |  |  |  |  |  |  |  |  |  |  |  |  |  |  |  |  |  |  |  |  |  |   |   |   |   |   |   |   |   |   |   |   |   |   |   |   |   |  |  |  |  |  |  |  |  |  |  |  |  |  |
|                  |   |        | Enabled  | 1     | Enabled  |  |  |  |  |  |  |  |  |  |  |  |  |  |  |  |  |  |  |  |  |  |  |  |   |   |   |   |   |   |   |   |   |   |   |   |   |   |   |   |  |  |  |  |  |  |  |  |  |  |  |  |  |
| D                | RW  | ENA3   |          |       | Enable or disable device address matching using device address 3 |  |  |  |  |  |  |  |  |  |  |  |  |  |  |  |  |  |  |  |  |  |  |  |   |   |   |   |   |   |   |   |   |   |   |   |   |   |   |   |  |  |  |  |  |  |  |  |  |  |  |  |  |
|                  |   |        | Disabled | 0     | Disabled   |  |  |  |  |  |  |  |  |  |  |  |  |  |  |  |  |  |  |  |  |  |  |  |   |   |   |   |   |   |   |   |   |   |   |   |   |   |   |   |  |  |  |  |  |  |  |  |  |  |  |  |  |
|                  |   |        | Enabled  | 1     | Enabled  |  |  |  |  |  |  |  |  |  |  |  |  |  |  |  |  |  |  |  |  |  |  |  |   |   |   |   |   |   |   |   |   |   |   |   |   |   |   |   |  |  |  |  |  |  |  |  |  |  |  |  |  |
| E                | RW  | ENA4   |          |       | Enable or disable device address matching using device address 4 |  |  |  |  |  |  |  |  |  |  |  |  |  |  |  |  |  |  |  |  |  |  |  |   |   |   |   |   |   |   |   |   |   |   |   |   |   |   |   |  |  |  |  |  |  |  |  |  |  |  |  |  |
|                  |   |        | Disabled | 0     | Disabled   |  |  |  |  |  |  |  |  |  |  |  |  |  |  |  |  |  |  |  |  |  |  |  |   |   |   |   |   |   |   |   |   |   |   |   |   |   |   |   |  |  |  |  |  |  |  |  |  |  |  |  |  |
|                  |   |        | Enabled  | 1     | Enabled  |  |  |  |  |  |  |  |  |  |  |  |  |  |  |  |  |  |  |  |  |  |  |  |   |   |   |   |   |   |   |   |   |   |   |   |   |   |   |   |  |  |  |  |  |  |  |  |  |  |  |  |  |
| F                | RW  | ENA5   |          |       | Enable or disable device address matching using device address 5 |  |  |  |  |  |  |  |  |  |  |  |  |  |  |  |  |  |  |  |  |  |  |  |   |   |   |   |   |   |   |   |   |   |   |   |   |   |   |   |  |  |  |  |  |  |  |  |  |  |  |  |  |
|                  |   |        | Disabled | 0     | Disabled   |  |  |  |  |  |  |  |  |  |  |  |  |  |  |  |  |  |  |  |  |  |  |  |   |   |   |   |   |   |   |   |   |   |   |   |   |   |   |   |  |  |  |  |  |  |  |  |  |  |  |  |  |
|                  |   |        | Enabled  | 1     | Enabled  |  |  |  |  |  |  |  |  |  |  |  |  |  |  |  |  |  |  |  |  |  |  |  |   |   |   |   |   |   |   |   |   |   |   |   |   |   |   |   |  |  |  |  |  |  |  |  |  |  |  |  |  |
| G                | RW  | ENA6   |          |       | Enable or disable device address matching using device address 6 |  |  |  |  |  |  |  |  |  |  |  |  |  |  |  |  |  |  |  |  |  |  |  |   |   |   |   |   |   |   |   |   |   |   |   |   |   |   |   |  |  |  |  |  |  |  |  |  |  |  |  |  |
|                  |   |        | Disabled | 0     | Disabled   |  |  |  |  |  |  |  |  |  |  |  |  |  |  |  |  |  |  |  |  |  |  |  |   |   |   |   |   |   |   |   |   |   |   |   |   |   |   |   |  |  |  |  |  |  |  |  |  |  |  |  |  |
|                  |   |        | Enabled  | 1     | Enabled  |  |  |  |  |  |  |  |  |  |  |  |  |  |  |  |  |  |  |  |  |  |  |  |   |   |   |   |   |   |   |   |   |   |   |   |   |   |   |   |  |  |  |  |  |  |  |  |  |  |  |  |  |
| H                | RW  | ENA7   |          |       | Enable or disable device address matching using device address 7 |  |  |  |  |  |  |  |  |  |  |  |  |  |  |  |  |  |  |  |  |  |  |  |   |   |   |   |   |   |   |   |   |   |   |   |   |   |   |   |  |  |  |  |  |  |  |  |  |  |  |  |  |
|                  |   |        | Disabled | 0     | Disabled   |  |  |  |  |  |  |  |  |  |  |  |  |  |  |  |  |  |  |  |  |  |  |  |   |   |   |   |   |   |   |   |   |   |   |   |   |   |   |   |  |  |  |  |  |  |  |  |  |  |  |  |  |
|                  |   |        | Enabled  | 1     | Enabled  |  |  |  |  |  |  |  |  |  |  |  |  |  |  |  |  |  |  |  |  |  |  |  |   |   |   |   |   |   |   |   |   |   |   |   |   |   |   |   |  |  |  |  |  |  |  |  |  |  |  |  |  |
| I                | RW  | TXADD0 |          |       | TxAdd for device address 0                                       |  |  |  |  |  |  |  |  |  |  |  |  |  |  |  |  |  |  |  |  |  |  |  |   |   |   |   |   |   |   |   |   |   |   |   |   |   |   |   |  |  |  |  |  |  |  |  |  |  |  |  |  |
| J                | RW  | TXADD1 |          |       | TxAdd for device address 1                                       |  |  |  |  |  |  |  |  |  |  |  |  |  |  |  |  |  |  |  |  |  |  |  |   |   |   |   |   |   |   |   |   |   |   |   |   |   |   |   |  |  |  |  |  |  |  |  |  |  |  |  |  |
| K                | RW  | TXADD2 |          |       | TxAdd for device address 2                                       |  |  |  |  |  |  |  |  |  |  |  |  |  |  |  |  |  |  |  |  |  |  |  |   |   |   |   |   |   |   |   |   |   |   |   |   |   |   |   |  |  |  |  |  |  |  |  |  |  |  |  |  |
| L                | RW  | TXADD3 |          |       | TxAdd for device address 3                                       |  |  |  |  |  |  |  |  |  |  |  |  |  |  |  |  |  |  |  |  |  |  |  |   |   |   |   |   |   |   |   |   |   |   |   |   |   |   |   |  |  |  |  |  |  |  |  |  |  |  |  |  |
| M                | RW  | TXADD4 |          |       | TxAdd for device address 4                                       |  |  |  |  |  |  |  |  |  |  |  |  |  |  |  |  |  |  |  |  |  |  |  |   |   |   |   |   |   |   |   |   |   |   |   |   |   |   |   |  |  |  |  |  |  |  |  |  |  |  |  |  |
| N                | RW  | TXADD5 |          |       | TxAdd for device address 5                                       |  |  |  |  |  |  |  |  |  |  |  |  |  |  |  |  |  |  |  |  |  |  |  |   |   |   |   |   |   |   |   |   |   |   |   |   |   |   |   |  |  |  |  |  |  |  |  |  |  |  |  |  |
| O                | RW  | TXADD6 |          |       | TxAdd for device address 6                                       |  |  |  |  |  |  |  |  |  |  |  |  |  |  |  |  |  |  |  |  |  |  |  |   |   |   |   |   |   |   |   |   |   |   |   |   |   |   |   |  |  |  |  |  |  |  |  |  |  |  |  |  |
| P                | RW  | TXADD7 |          |       | TxAdd for device address 7                                       |  |  |  |  |  |  |  |  |  |  |  |  |  |  |  |  |  |  |  |  |  |  |  |   |   |   |   |   |   |   |   |   |   |   |   |   |   |   |   |  |  |  |  |  |  |  |  |  |  |  |  |  |

### 23.14.45 MODECNF0

Address offset: 0x650

Radio mode configuration register 0

| Bit number       | 31 30 29 28 27 26 25 24 23 22 21 20 19 18 17 16 15 14 13 12 11 10 9 8 7 6 5 4 3 2 1 0 |       |          |       |  |  |  |  |  |  |  |  |  |  |  |  |  |  |  |  |  |  |  |  |  |  |  |  |   |   |  |  |  |  |  |  |  |  |  |  |  |  |  |   |
|------------------|---|-------|----------|-------|--|--|--|--|--|--|--|--|--|--|--|--|--|--|--|--|--|--|--|--|--|--|--|--|---|---|--|--|--|--|--|--|--|--|--|--|--|--|--|---|
| Id               |   |       |          |       |  |  |  |  |  |  |  |  |  |  |  |  |  |  |  |  |  |  |  |  |  |  |  |  | C | C |  |  |  |  |  |  |  |  |  |  |  |  |  | A |
| Reset 0x00000200 | 0 1         |       |          |       |  |  |  |  |  |  |  |  |  |  |  |  |  |  |  |  |  |  |  |  |  |  |  |  |   |   |  |  |  |  |  |  |  |  |  |  |  |  |  |   |
| Id               | RW  | Field | Value Id | Value | Description  |  |  |  |  |  |  |  |  |  |  |  |  |  |  |  |  |  |  |  |  |  |  |  |   |   |  |  |  |  |  |  |  |  |  |  |  |  |  |   |
| A                | RW  | RU    |          |       | Radio ramp-up time   |  |  |  |  |  |  |  |  |  |  |  |  |  |  |  |  |  |  |  |  |  |  |  |   |   |  |  |  |  |  |  |  |  |  |  |  |  |  |   |
|                  |   |       | Default  | 0     | Default ramp-up time (tRXEN), compatible with firmware written for nRF51     |  |  |  |  |  |  |  |  |  |  |  |  |  |  |  |  |  |  |  |  |  |  |  |   |   |  |  |  |  |  |  |  |  |  |  |  |  |  |   |
|                  |   |       | Fast     | 1     | Fast ramp-up (tRXEN,FAST), see electrical specification for more information |  |  |  |  |  |  |  |  |  |  |  |  |  |  |  |  |  |  |  |  |  |  |  |   |   |  |  |  |  |  |  |  |  |  |  |  |  |  |   |

| Bit number      | 31 | 30    | 29       | 28    | 27  | 26 | 25 | 24 | 23 | 22 | 21 | 20 | 19 | 18 | 17 | 16 | 15 | 14 | 13 | 12 | 11 | 10 | 9 | 8 | 7 | 6 | 5 | 4 | 3 | 2 | 1 | 0 |
|-----------------|----|-------|----------|-------|---|----|----|----|----|----|----|----|----|----|----|----|----|----|----|----|----|----|---|---|---|---|---|---|---|---|---|---|
| Id              |    |       |          |       |   |    |    |    |    |    |    |    |    |    |    |    |    |    |    |    |    |    |   | C | C |   |   | A |   |   |   |   |
| Reset 0x0000200 | 0  | 0     | 0        | 0     | 0   | 0  | 0  | 0  | 0  | 0  | 0  | 0  | 0  | 0  | 0  | 0  | 0  | 0  | 0  | 0  | 0  | 0  | 0 | 1 | 0 | 0 | 0 | 0 | 0 | 0 | 0 | 0 |
| Id              | RW | Field | Value Id | Value | Description   |    |    |    |    |    |    |    |    |    |    |    |    |    |    |    |    |    |   |   |   |   |   |   |   |   |   |   |
| C               | RW | DTX   |          |       | Default TX value  |    |    |    |    |    |    |    |    |    |    |    |    |    |    |    |    |    |   |   |   |   |   |   |   |   |   |   |
|                 |    |       |          |       | Specifies what the RADIO will transmit when it is not started, i.e. between:  |    |    |    |    |    |    |    |    |    |    |    |    |    |    |    |    |    |   |   |   |   |   |   |   |   |   |   |
|                 |    |       |          |       | RADIO.EVENTS_READY and RADIO.TASKS_START  |    |    |    |    |    |    |    |    |    |    |    |    |    |    |    |    |    |   |   |   |   |   |   |   |   |   |   |
|                 |    |       |          |       | RADIO.EVENTS_END and RADIO.TASKS_START  |    |    |    |    |    |    |    |    |    |    |    |    |    |    |    |    |    |   |   |   |   |   |   |   |   |   |   |
|                 |    |       |          |       | RADIO.EVENTS_END and RADIO.EVENTS_DISABLED  |    |    |    |    |    |    |    |    |    |    |    |    |    |    |    |    |    |   |   |   |   |   |   |   |   |   |   |
|                 |    |       | B1       | 0     | Transmit '1'  |    |    |    |    |    |    |    |    |    |    |    |    |    |    |    |    |    |   |   |   |   |   |   |   |   |   |   |
|                 |    |       | B0       | 1     | Transmit '0'  |    |    |    |    |    |    |    |    |    |    |    |    |    |    |    |    |    |   |   |   |   |   |   |   |   |   |   |
|                 |    |       | Center   | 2     | Transmit center frequency   |    |    |    |    |    |    |    |    |    |    |    |    |    |    |    |    |    |   |   |   |   |   |   |   |   |   |   |
|                 |    |       |          |       | When tuning the crystal for centre frequency, the RADIO must be set in DTX = Center mode to be able to achieve the expected accuracy. |    |    |    |    |    |    |    |    |    |    |    |    |    |    |    |    |    |   |   |   |   |   |   |   |   |   |   |

### 23.14.46 POWER

Address offset: 0xFFC

Peripheral power control

| Bit number       | 31 | 30    | 29       | 28    | 27  | 26 | 25 | 24 | 23 | 22 | 21 | 20 | 19 | 18 | 17 | 16 | 15 | 14 | 13 | 12 | 11 | 10 | 9 | 8 | 7 | 6 | 5 | 4 | 3 | 2 | 1 | 0 |
|------------------|----|-------|----------|-------|---|----|----|----|----|----|----|----|----|----|----|----|----|----|----|----|----|----|---|---|---|---|---|---|---|---|---|---|
| Id               |    |       |          |       |   |    |    |    |    |    |    |    |    |    |    |    |    |    |    |    |    |    |   | A |   |   |   |   |   |   |   |   |
| Reset 0x00000001 | 0  | 0     | 0        | 0     | 0   | 0  | 0  | 0  | 0  | 0  | 0  | 0  | 0  | 0  | 0  | 0  | 0  | 0  | 0  | 0  | 0  | 0  | 0 | 0 | 0 | 0 | 0 | 0 | 0 | 0 | 0 | 1 |
| Id               | RW | Field | Value Id | Value | Description   |    |    |    |    |    |    |    |    |    |    |    |    |    |    |    |    |    |   |   |   |   |   |   |   |   |   |   |
| A                | RW | POWER |          |       | Peripheral power control. The peripheral and its registers will be reset to its initial state by switching the peripheral off and then back on again. |    |    |    |    |    |    |    |    |    |    |    |    |    |    |    |    |    |   |   |   |   |   |   |   |   |   |   |
|                  |    |       | Disabled | 0     | Peripheral is powered off   |    |    |    |    |    |    |    |    |    |    |    |    |    |    |    |    |    |   |   |   |   |   |   |   |   |   |   |
|                  |    |       | Enabled  | 1     | Peripheral is powered on  |    |    |    |    |    |    |    |    |    |    |    |    |    |    |    |    |    |   |   |   |   |   |   |   |   |   |   |

## 23.15 Electrical specification

### 23.15.1 General Radio Characteristics

| Symbol                    | Description                      | Min. | Typ. | Max. | Units |
|---------------------------|----------------------------------|------|------|------|-------|
| f <sub>OP</sub>           | Operating frequencies            | 2360 |      | 2500 | MHz   |
| f <sub>PLL,PROG,RES</sub> | PLL programming resolution       |      | 2    |      | kHz   |
| f <sub>PLL,CH,SP</sub>    | PLL channel spacing              |      | 1    |      | MHz   |
| f <sub>DELTA,1M</sub>     | Frequency deviation @ 1 Msps     |      | ±170 |      | kHz   |
| f <sub>DELTA,BLE,1M</sub> | Frequency deviation @ BLE 1Msps  |      | ±250 |      | kHz   |
| f <sub>DELTA,2M</sub>     | Frequency deviation @ 2 Msps     |      | ±320 |      | kHz   |
| f <sub>DELTA,BLE,2M</sub> | Frequency deviation @ BLE 2 Msps |      | ±500 |      | kHz   |
| f <sub>skSPS</sub>        | On-the-air data rate             | 1    |      | 2    | Msps  |

### 23.15.2 Radio current consumption (Transmitter)

| Symbol                         | Description   | Min. | Typ. | Max. | Units |
|--------------------------------|---|------|------|------|-------|
| I <sub>TX,PLUS4dBm,DCDC</sub>  | TX only run current (DCDC, 3V) P <sub>RF</sub> = +4 dBm |      | 7.5  |      | mA    |
| I <sub>TX,PLUS4dBm</sub>       | TX only run current P <sub>RF</sub> = +4 dBm            |      | 16.6 |      | mA    |
| I <sub>TX,0dBm,DCDC</sub>      | TX only run current (DCDC, 3V) P <sub>RF</sub> = 0dBm   |      | 5.3  |      | mA    |
| I <sub>TX,0dBm</sub>           | TX only run current P <sub>RF</sub> = 0dBm              |      | 11.6 |      | mA    |
| I <sub>TX,MINUS4dBm,DCDC</sub> | TX only run current DCDC, 3V P <sub>RF</sub> = -4dBm    |      | 4.2  |      | mA    |
| I <sub>TX,MINUS4dBm</sub>      | TX only run current P <sub>RF</sub> = -4 dBm            |      | 9.3  |      | mA    |
| I <sub>TX,MINUS8dBm,DCDC</sub> | TX only run current DCDC, 3V P <sub>RF</sub> = -8 dBm   |      | 3.8  |      | mA    |

| Symbol                          | Description  | Min. | Typ. | Max. | Units |
|---------------------------------|--|------|------|------|-------|
| I <sub>TX,MINUS8dBm</sub>       | TX only run current P <sub>RF</sub> = -8 dBm           |      | 8.4  |      | mA    |
| I <sub>TX,MINUS12dBm,DCDC</sub> | TX only run current DCDC, 3V P <sub>RF</sub> = -12 dBm |      | 3.5  |      | mA    |
| I <sub>TX,MINUS12dBm</sub>      | TX only run current P <sub>RF</sub> = -12 dBm          |      | 7.7  |      | mA    |
| I <sub>TX,MINUS16dBm,DCDC</sub> | TX only run current DCDC, 3V P <sub>RF</sub> = -16 dBm |      | 3.3  |      | mA    |
| I <sub>TX,MINUS16dBm</sub>      | TX only run current P <sub>RF</sub> = -16 dBm          |      | 7.3  |      | mA    |
| I <sub>TX,MINUS20dBm,DCDC</sub> | TX only run current DCDC, 3V P <sub>RF</sub> = -20 dBm |      | 3.2  |      | mA    |
| I <sub>TX,MINUS20dBm</sub>      | TX only run current P <sub>RF</sub> = -20 dBm          |      | 7.0  |      | mA    |
| I <sub>TX,MINUS40dBm,DCDC</sub> | TX only run current DCDC, 3V P <sub>RF</sub> = -40 dBm |      | 2.7  |      | mA    |
| I <sub>TX,MINUS40dBm</sub>      | TX only run current P <sub>RF</sub> = -40 dBm          |      | 5.9  |      | mA    |
| I <sub>START,TX,DCDC</sub>      | TX start-up current DCDC, 3V, P <sub>RF</sub> = 4 dBm  |      | 4.0  |      | mA    |
| I <sub>START,TX</sub>           | TX start-up current, P <sub>RF</sub> = 4 dBm           |      | 8.8  |      | mA    |

### 23.15.3 Radio current consumption (Receiver)

| Symbol                     | Description                                      | Min. | Typ. | Max. | Units |
|----------------------------|--|------|------|------|-------|
| I <sub>RX,1M,DCDC</sub>    | RX only run current (DCDC, 3V) 1Msps / 1Msps BLE |      | 5.4  |      | mA    |
| I <sub>RX,1M</sub>         | RX only run current 1Msps / 1Msps BLE            |      | 11.7 |      | mA    |
| I <sub>RX,2M,DCDC</sub>    | RX only run current (DCDC, 3V) 2Msps / 2Msps BLE |      | 5.8  |      | mA    |
| I <sub>RX,2M</sub>         | RX only run current 2Msps / 2Msps BLE            |      | 12.9 |      | mA    |
| I <sub>START,RX,DCDC</sub> | RX start-up current (DCDC 3V)                    |      | 3.5  |      | mA    |
| I <sub>START,RX,LDO</sub>  | RX start-up current (LDO 3V)                     |      | 7.5  |      | mA    |

### 23.15.4 Transmitter specification

| Symbol                 | Description  | Min. | Typ. | Max. | Units |
|------------------------|--|------|------|------|-------|
| P <sub>RF</sub>        | Maximum output power   |      | 4    | 6    | dBm   |
| P <sub>RFC</sub>       | RF power control range   |      | 24   |      | dB    |
| P <sub>RFCR</sub>      | RF power accuracy  |      |      | ±4   | dB    |
| P <sub>RF1,1</sub>     | 1st Adjacent Channel Transmit Power 1 MHz (1 Msps Nordic proprietary mode) |      | -25  |      | dBc   |
| P <sub>RF2,1</sub>     | 2nd Adjacent Channel Transmit Power 2 MHz (1 Msps Nordic proprietary mode) |      | -50  |      | dBc   |
| P <sub>RF1,2</sub>     | 1st Adjacent Channel Transmit Power 2 MHz (2 Msps Nordic proprietary mode) |      | -25  |      | dBc   |
| P <sub>RF2,2</sub>     | 2nd Adjacent Channel Transmit Power 4 MHz (2 Msps Nordic proprietary mode) |      | -50  |      | dBc   |
| P <sub>RF1,2,BLE</sub> | 1st Adjacent Channel Transmit Power 2 MHz (2 Msps BLE mode)                |      | -20  |      | dBc   |
| P <sub>RF2,2,BLE</sub> | 2nd Adjacent Channel Transmit Power 4 MHz (2 Msps BLE mode)                |      | -50  |      | dBc   |

### 23.15.5 Receiver operation

| Symbol                         | Description   | Min. | Typ. | Max. | Units |
|--------------------------------|---|------|------|------|-------|
| P <sub>RX,MAX</sub>            | Maximum received signal strength at < 0.1% BER                              |      | 0    |      | dBm   |
| P <sub>SENS,IT,1M</sub>        | Sensitivity, 1Msps nRF mode <sup>16</sup>                                   |      | -93  |      | dBm   |
| P <sub>SENS,IT,SP,1M,BLE</sub> | Sensitivity, 1Msps BLE ideal transmitter, <=37 bytes BER=1E-3 <sup>17</sup> |      | -96  |      | dBm   |
| P <sub>SENS,IT,LP,1M,BLE</sub> | Sensitivity, 1Msps BLE ideal transmitter >=128 bytes BER=1E-4 <sup>18</sup> |      | -95  |      | dBm   |
| P <sub>SENS,IT,2M</sub>        | Sensitivity, 2Msps nRF mode <sup>19</sup>                                   |      | -89  |      | dBm   |

<sup>16</sup> Typical sensitivity applies when ADDR0 is used for receiver address correlation. When ADDR[1...7] are used for receiver address correlation, the typical sensitivity for this mode is degraded by 3dB.

<sup>17</sup> As defined in the Bluetooth Core Specification v4.0 Volume 6: Core System Package (Low Energy Controller Volume)

<sup>18</sup> Equivalent BER limit < 10E-04

<sup>19</sup> Typical sensitivity applies when ADDR0 is used for receiver address correlation. When ADDR[1...7] are used for receiver address correlation, the typical sensitivity for this mode is degraded by 3dB.

| Symbol                         | Description   | Min. | Typ. | Max. | Units |
|--------------------------------|---|------|------|------|-------|
| P <sub>SENS,IT,SP,2M,BLE</sub> | Sensitivity, 2Msps BLE ideal transmitter, Packet length <=37bytes   |      | -93  |      | dBm   |
| P <sub>SENS,DT,SP,2M,BLE</sub> | Sensitivity, 2Msps BLE dirty transmitter, Packet length <=37bytes   |      | -93  |      | dBm   |
| P <sub>SENS,IT,LP,2M,BLE</sub> | Sensitivity, 2Msps BLE ideal transmitter >= 128bytes                |      | -92  |      | dBm   |
| P <sub>SENS,DT,LP,2M,BLE</sub> | Sensitivity, 2Msps BLE dirty transmitter, Packet length >= 128bytes |      | -92  |      | dBm   |

### 23.15.6 RX selectivity

RX selectivity with equal modulation on interfering signal<sup>20</sup>

| Symbol                          | Description  | Min. | Typ. | Max. | Units |
|---------------------------------|--|------|------|------|-------|
| C/I <sub>1M,co-channel</sub>    | 1Msps mode, Co-Channel interference                      |      | 9    |      | dB    |
| C/I <sub>1M,-1MHz</sub>         | 1 Msps mode, Adjacent (-1 MHz) interference              |      | -2   |      | dB    |
| C/I <sub>1M,+1MHz</sub>         | 1 Msps mode, Adjacent (+1 MHz) interference              |      | -10  |      | dB    |
| C/I <sub>1M,-2MHz</sub>         | 1 Msps mode, Adjacent (-2 MHz) interference              |      | -19  |      | dB    |
| C/I <sub>1M,+2MHz</sub>         | 1 Msps mode, Adjacent (+2 MHz) interference              |      | -42  |      | dB    |
| C/I <sub>1M,-3MHz</sub>         | 1 Msps mode, Adjacent (-3 MHz) interference              |      | -38  |      | dB    |
| C/I <sub>1M,+3MHz</sub>         | 1 Msps mode, Adjacent (+3 MHz) interference              |      | -48  |      | dB    |
| C/I <sub>1M,±6MHz</sub>         | 1 Msps mode, Adjacent (≥6 MHz) interference              |      | -50  |      | dB    |
| C/I <sub>1MBLE,co-channel</sub> | 1 Msps BLE mode, Co-Channel interference                 |      | 6    |      | dB    |
| C/I <sub>1MBLE,-1MHz</sub>      | 1 Msps BLE mode, Adjacent (-1 MHz) interference          |      | -2   |      | dB    |
| C/I <sub>1MBLE,+1MHz</sub>      | 1 Msps BLE mode, Adjacent (+1 MHz) interference          |      | -9   |      | dB    |
| C/I <sub>1MBLE,-2MHz</sub>      | 1 Msps BLE mode, Adjacent (-2 MHz) interference          |      | -22  |      | dB    |
| C/I <sub>1MBLE,+2MHz</sub>      | 1 Msps BLE mode, Adjacent (+2 MHz) interference          |      | -46  |      | dB    |
| C/I <sub>1MBLE,&gt;3MHz</sub>   | 1 Msps BLE mode, Adjacent (≥3 MHz) interference          |      | -50  |      | dB    |
| C/I <sub>1MBLE,image</sub>      | Image frequency Interference                             |      | -22  |      | dB    |
| C/I <sub>1MBLE,image,1MHz</sub> | Adjacent (1 MHz) interference to in-band image frequency |      | -35  |      | dB    |
| C/I <sub>2M,co-channel</sub>    | 2Msps mode, Co-Channel interference                      |      | 10   |      | dB    |
| C/I <sub>2M,-2MHz</sub>         | 2 Msps mode, Adjacent (-2 MHz) interference              |      | 6    |      | dB    |
| C/I <sub>2M,+2MHz</sub>         | 2 Msps mode, Adjacent (+2 MHz) interference              |      | -14  |      | dB    |
| C/I <sub>2M,-4MHz</sub>         | 2 Msps mode, Adjacent (-4 MHz) interference              |      | -20  |      | dB    |
| C/I <sub>2M,+4MHz</sub>         | 2 Msps mode, Adjacent (+4 MHz) interference              |      | -44  |      | dB    |
| C/I <sub>2M,-6MHz</sub>         | 2 Msps mode, Adjacent (-6 MHz) interference              |      | -42  |      | dB    |
| C/I <sub>2M,+6MHz</sub>         | 2 Msps mode, Adjacent (+6 MHz) interference              |      | -47  |      | dB    |
| C/I <sub>2M,≥12MHz</sub>        | 2 Msps mode, Adjacent (≥12 MHz) interference             |      | -52  |      | dB    |
| C/I <sub>2MBLE,co-channel</sub> | 2 Msps BLE mode, Co-Channel interference                 |      | 7    |      | dB    |
| C/I <sub>2MBLE,±2MHz</sub>      | 2 Msps BLE mode, Adjacent (±2 MHz) interference          |      | 0    |      | dB    |
| C/I <sub>2MBLE,±4MHz</sub>      | 2 Msps BLE mode, Adjacent (±4 MHz) interference          |      | -47  |      | dB    |
| C/I <sub>2MBLE,≥6MHz</sub>      | 2 Msps BLE mode, Adjacent (≥6 MHz) interference          |      | -49  |      | dB    |
| C/I <sub>2MBLE,image</sub>      | Image frequency Interference                             |      | -21  |      | dB    |
| C/I <sub>2MBLE,image,2MHz</sub> | Adjacent (2 MHz) interference to in-band image frequency |      | -36  |      | dB    |

### 23.15.7 RX intermodulation

RX intermodulation<sup>21</sup>

| Symbol                  | Description  | Min. | Typ. | Max. | Units |
|-------------------------|--|------|------|------|-------|
| P <sub>IMD,1M</sub>     | IMD performance, 1 Msps (3 MHz, 4 MHz, and 5 MHz offset)     |      | -33  |      | dBm   |
| P <sub>IMD,1M,BLE</sub> | IMD performance, BLE 1 Msps (3 MHz, 4 MHz, and 5 MHz offset) |      | -30  |      | dBm   |
| P <sub>IMD,2M</sub>     | IMD performance, 2 Msps (6 MHz, 8 MHz, and 10 MHz offset)    |      | -33  |      | dBm   |

<sup>20</sup> Wanted signal level at PIN = -67 dBm. One interferer is used, having equal modulation as the wanted signal. The input power of the interferer where the sensitivity equals BER = 0.1% is presented

<sup>21</sup> Wanted signal level at PIN = -64 dBm. Two interferers with equal input power are used. The interferer closest in frequency is not modulated, the other interferer is modulated equal with the wanted signal. The input power of the interferers where the sensitivity equals BER = 0.1% is presented.



| Symbol                  | Description   | Min. | Typ. | Max. | Units |
|-------------------------|---|------|------|------|-------|
| P <sub>IMD,2M,BLE</sub> | IMD performance, BLE 2 Msps (6 MHz, 8 MHz, and 10 MHz offset) |      | -32  |      | dBm   |

### 23.15.8 Radio timing

| Symbol                    | Description  | Min. | Typ. | Max. | Units |
|---------------------------|--|------|------|------|-------|
| t <sub>TXEN</sub>         | Time between TXEN task and READY event after channel FREQUENCY configured                      |      | 140  |      | us    |
| t <sub>TXEN,FAST</sub>    | Time between TXEN task and READY event after channel FREQUENCY configured (Fast Mode)          |      | 40   |      | us    |
| t <sub>TXDISABLE</sub>    | Time between DISABLE task and DISABLED event when the radio was in TX and mode is set to 1Msps |      | 6    |      | us    |
| t <sub>TXDISABLE,2M</sub> | Time between DISABLE task and DISABLED event when the radio was in TX and mode is set to 2Msps |      | 4    |      | us    |
| t <sub>RXEN</sub>         | Time between the RXEN task and READY event after channel FREQUENCY configured in default mode  |      | 140  |      | us    |
| t <sub>RXEN,FAST</sub>    | Time between the RXEN task and READY event after channel FREQUENCY configured in fast mode     |      | 40   |      | us    |
| t <sub>SWITCH</sub>       | The minimum time taken to switch from RX to TX or TX to RX (channel FREQUENCY unchanged)       |      | 20   |      | us    |
| t <sub>RXDISABLE</sub>    | Time between DISABLE task and DISABLED event when the radio was in RX                          |      | 0    |      | us    |
| t <sub>TXCHAIN</sub>      | TX chain delay   |      | 0.6  |      | us    |
| t <sub>RXCHAIN</sub>      | RX chain delay   |      | 9.4  |      | us    |
| t <sub>RXCHAIN,2M</sub>   | RX chain delay in 2Msps mode   |      | 5    |      | us    |

### 23.15.9 Received Signal Strength Indicator (RSSI) specifications

| Symbol                     | Description                              | Min. | Typ. | Max. | Units |
|----------------------------|--|------|------|------|-------|
| RSSI <sub>ACC</sub>        | RSSI Accuracy Valid range -90 to -20 dBm |      | ±2   |      | dB    |
| RSSI <sub>RESOLUTION</sub> | RSSI resolution                          |      | 1    |      | dB    |
| RSSI <sub>PERIOD</sub>     | Sample period                            |      | 0.25 |      | us    |

### 23.15.10 Jitter

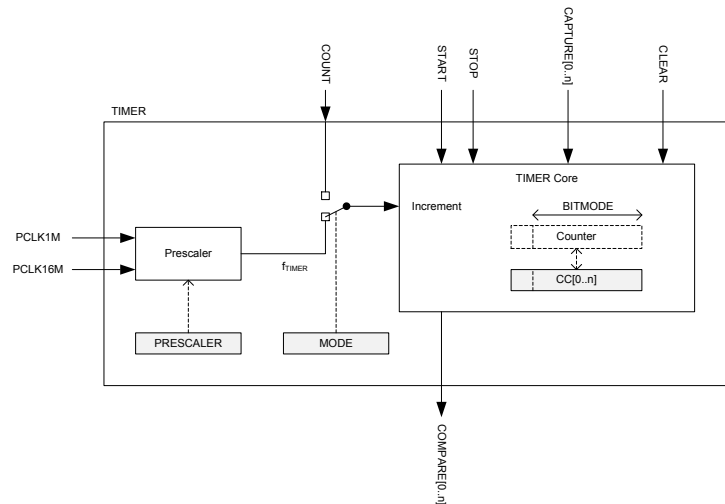
| Symbol                      | Description  | Min. | Typ. | Max. | Units |
|-----------------------------|--|------|------|------|-------|
| t <sub>DISABLEDJITTER</sub> | Jitter on DISABLED event relative to END event when shortcut between END and DISABLE is enabled. |      | 0.25 |      | us    |
| t <sub>READYJITTER</sub>    | Jitter on READY event relative to TXEN and RXEN task.  |      | 0.25 |      | us    |

### 23.15.11 Delay when disabling the RADIO

| Symbol                    | Description  | Min. | Typ. | Max. | Units |
|---------------------------|--|------|------|------|-------|
| t <sub>TXDISABLE,1M</sub> | Disable delay from TX.<br><br>Delay between DISABLE and DISABLED for MODE = Nrf_1Mbit and MODE = Ble_1Mbit |      | 6    |      | us    |
| t <sub>RXDISABLE,1M</sub> | Disable delay from RX.<br><br>Delay between DISABLE and DISABLED for MODE = Nrf_1Mbit and MODE = Ble_1Mbit |      | 0    |      | us    |

## 24 TIMER — Timer/counter

The TIMER can operate in two modes: timer and counter.



**Figure 42: Block schematic for timer/counter**

The timer/counter runs on the high-frequency clock source (HFCLK) and includes a four-bit (1/2X) prescaler that can divide the timer input clock from the HFCLK controller. Clock source selection between PCLK16M and PCLK1M is automatic according to TIMER base frequency set by the prescaler. The TIMER base frequency is always given as 16 MHz divided by the prescaler value.

The PPI system allows a TIMER event to trigger a task of any other system peripheral of the device. The PPI system also enables the TIMER task/event features to generate periodic output and PWM signals to any GPIO. The number of input/outputs used at the same time is limited by the number of GPIOTE channels.

The TIMER can operate in two modes, Timer mode and Counter mode. In both modes, the TIMER is started by triggering the START task, and stopped by triggering the STOP task. After the timer is stopped the timer can resume timing/counting by triggering the START task again. When timing/counting is resumed, the timer will continue from the value it had prior to being stopped.

In Timer mode, the TIMER's internal Counter register is incremented by one for every tick of the timer frequency  $f_{\text{TIMER}}$  as illustrated in [Figure 42: Block schematic for timer/counter](#) on page 234. The timer frequency is derived from PCLK16M as shown below, using the values specified in the PRESCALER register:

$$f_{\text{TIMER}} = 16 \text{ MHz} / (2^{\text{PRESCALER}})$$

When  $f_{\text{TIMER}} \leq 1 \text{ MHz}$  the TIMER will use PCLK1M instead of PCLK16M for reduced power consumption.

In counter mode, the TIMER's internal Counter register is incremented by one each time the COUNT task is triggered, that is, the timer frequency and the prescaler are not utilized in counter mode. Similarly, the COUNT task has no effect in Timer mode.

The TIMER's maximum value is configured by changing the bit-width of the timer in the [BITMODE](#) on page 239 register.

[PRESCALER](#) on page 239 and the [BITMODE](#) on page 239 must only be updated when the timer is stopped. If these registers are updated while the TIMER is started then this may result in unpredictable behavior.

When the timer is incremented beyond its maximum value the Counter register will overflow and the TIMER will automatically start over from zero.

The Counter register can be cleared, that is, its internal value set to zero explicitly, by triggering the CLEAR task.

The TIMER implements multiple capture/compare registers.

Independent of prescaler setting the accuracy of the TIMER is equivalent to one tick of the timer frequency  $f_{\text{TIMER}}$  as illustrated in [Figure 42: Block schematic for timer/counter](#) on page 234.

## 24.1 Capture

The TIMER implements one capture task for every available capture/compare register.

Every time the CAPTURE[n] task is triggered, the Counter value is copied to the CC[n] register.

## 24.2 Compare

The TIMER implements one COMPARE event for every available capture/compare register.

A COMPARE event is generated when the Counter is incremented and then becomes equal to the value specified in one of the capture compare registers. When the Counter value becomes equal to the value specified in a capture compare register CC[n], the corresponding compare event COMPARE[n] is generated.

[BITMODE](#) on page 239 specifies how many bits of the Counter register and the capture/compare register that are used when the comparison is performed. Other bits will be ignored.

## 24.3 Task delays

After the TIMER is started, the CLEAR task, COUNT task and the STOP task will guarantee to take effect within one clock cycle of the PCLK16M.

## 24.4 Task priority

If the START task and the STOP task are triggered at the same time, that is, within the same period of PCLK16M, the STOP task will be prioritized.

## 24.5 Registers

**Table 42: Instances**

| Base address | Peripheral | Instance | Description | Configuration                                     |
|--------------|------------|----------|-------------|---|
| 0x40008000   | TIMER      | TIMER0   | Timer 0     | This timer instance has 4 CC registers (CC[0..3]) |
| 0x40009000   | TIMER      | TIMER1   | Timer 1     | This timer instance has 4 CC registers (CC[0..3]) |
| 0x4000A000   | TIMER      | TIMER2   | Timer 2     | This timer instance has 4 CC registers (CC[0..3]) |
| 0x4001A000   | TIMER      | TIMER3   | Timer 3     | This timer instance has 6 CC registers (CC[0..5]) |
| 0x4001B000   | TIMER      | TIMER4   | Timer 4     | This timer instance has 6 CC registers (CC[0..5]) |

**Table 43: Register Overview**

| Register    | Offset | Description |
|-------------|--------|-------------|
| TASKS_START | 0x000  | Start Timer |

| Register          | Offset | Description   |
|-------------------|--------|---|
| TASKS_STOP        | 0x004  | Stop Timer  |
| TASKS_COUNT       | 0x008  | Increment Timer (Counter mode only)                           |
| TASKS_CLEAR       | 0x00C  | Clear time  |
| TASKS_SHUTDOWN    | 0x010  | Shut down timer <span style="float: right;">Deprecated</span> |
| TASKS_CAPTURE[0]  | 0x040  | Capture Timer value to CC[0] register                         |
| TASKS_CAPTURE[1]  | 0x044  | Capture Timer value to CC[1] register                         |
| TASKS_CAPTURE[2]  | 0x048  | Capture Timer value to CC[2] register                         |
| TASKS_CAPTURE[3]  | 0x04C  | Capture Timer value to CC[3] register                         |
| TASKS_CAPTURE[4]  | 0x050  | Capture Timer value to CC[4] register                         |
| TASKS_CAPTURE[5]  | 0x054  | Capture Timer value to CC[5] register                         |
| EVENTS_COMPARE[0] | 0x140  | Compare event on CC[0] match                                  |
| EVENTS_COMPARE[1] | 0x144  | Compare event on CC[1] match                                  |
| EVENTS_COMPARE[2] | 0x148  | Compare event on CC[2] match                                  |
| EVENTS_COMPARE[3] | 0x14C  | Compare event on CC[3] match                                  |
| EVENTS_COMPARE[4] | 0x150  | Compare event on CC[4] match                                  |
| EVENTS_COMPARE[5] | 0x154  | Compare event on CC[5] match                                  |
| <b>SHORTS</b>     | 0x200  | Shortcut register   |
| <b>INTENSET</b>   | 0x304  | Enable interrupt  |
| <b>INTENCLR</b>   | 0x308  | Disable interrupt   |
| <b>MODE</b>       | 0x504  | Timer mode selection  |
| <b>BITMODE</b>    | 0x508  | Configure the number of bits used by the TIMER                |
| <b>PRESCALER</b>  | 0x510  | Timer prescaler register                                      |
| <b>CC[0]</b>      | 0x540  | Capture/Compare register 0                                    |
| <b>CC[1]</b>      | 0x544  | Capture/Compare register 1                                    |
| <b>CC[2]</b>      | 0x548  | Capture/Compare register 2                                    |
| <b>CC[3]</b>      | 0x54C  | Capture/Compare register 3                                    |
| <b>CC[4]</b>      | 0x550  | Capture/Compare register 4                                    |
| <b>CC[5]</b>      | 0x554  | Capture/Compare register 5                                    |

### 24.5.1 SHORTS

Address offset: 0x200

Shortcut register

| Bit number       | 31 30 29 28 27 26 25 24 23 22 21 20 19 18 17 16 15 14 13 12 11 10 9 8 7 6 5 4 3 2 1 0 |                |          |       |   |  |  |  |  |  |  |  |  |  |  |  |  |  |  |  |  |  |  |  |   |   |   |   |   |   |  |  |  |  |  |  |   |   |   |   |   |   |
|------------------|---|----------------|----------|-------|---|--|--|--|--|--|--|--|--|--|--|--|--|--|--|--|--|--|--|--|---|---|---|---|---|---|--|--|--|--|--|--|---|---|---|---|---|---|
| Id               |   |                |          |       |   |  |  |  |  |  |  |  |  |  |  |  |  |  |  |  |  |  |  |  | L | K | J | I | H | G |  |  |  |  |  |  | F | E | D | C | B | A |
| Reset 0x00000000 | 0             |                |          |       |   |  |  |  |  |  |  |  |  |  |  |  |  |  |  |  |  |  |  |  |   |   |   |   |   |   |  |  |  |  |  |  |   |   |   |   |   |   |
| Id               | RW  | Field          | Value Id | Value | Description   |  |  |  |  |  |  |  |  |  |  |  |  |  |  |  |  |  |  |  |   |   |   |   |   |   |  |  |  |  |  |  |   |   |   |   |   |   |
| A                | RW  | COMPARE0_CLEAR |          |       | Shortcut between COMPARE[0] event and CLEAR task<br><br>See <a href="#">EVENTS_COMPARE[0]</a> and <a href="#">TASKS_CLEAR</a> |  |  |  |  |  |  |  |  |  |  |  |  |  |  |  |  |  |  |  |   |   |   |   |   |   |  |  |  |  |  |  |   |   |   |   |   |   |
|                  |   |                | Disabled | 0     | Disable shortcut  |  |  |  |  |  |  |  |  |  |  |  |  |  |  |  |  |  |  |  |   |   |   |   |   |   |  |  |  |  |  |  |   |   |   |   |   |   |
|                  |   |                | Enabled  | 1     | Enable shortcut   |  |  |  |  |  |  |  |  |  |  |  |  |  |  |  |  |  |  |  |   |   |   |   |   |   |  |  |  |  |  |  |   |   |   |   |   |   |
| B                | RW  | COMPARE1_CLEAR |          |       | Shortcut between COMPARE[1] event and CLEAR task<br><br>See <a href="#">EVENTS_COMPARE[1]</a> and <a href="#">TASKS_CLEAR</a> |  |  |  |  |  |  |  |  |  |  |  |  |  |  |  |  |  |  |  |   |   |   |   |   |   |  |  |  |  |  |  |   |   |   |   |   |   |
|                  |   |                | Disabled | 0     | Disable shortcut  |  |  |  |  |  |  |  |  |  |  |  |  |  |  |  |  |  |  |  |   |   |   |   |   |   |  |  |  |  |  |  |   |   |   |   |   |   |
|                  |   |                | Enabled  | 1     | Enable shortcut   |  |  |  |  |  |  |  |  |  |  |  |  |  |  |  |  |  |  |  |   |   |   |   |   |   |  |  |  |  |  |  |   |   |   |   |   |   |
| C                | RW  | COMPARE2_CLEAR |          |       | Shortcut between COMPARE[2] event and CLEAR task<br><br>See <a href="#">EVENTS_COMPARE[2]</a> and <a href="#">TASKS_CLEAR</a> |  |  |  |  |  |  |  |  |  |  |  |  |  |  |  |  |  |  |  |   |   |   |   |   |   |  |  |  |  |  |  |   |   |   |   |   |   |
|                  |   |                | Disabled | 0     | Disable shortcut  |  |  |  |  |  |  |  |  |  |  |  |  |  |  |  |  |  |  |  |   |   |   |   |   |   |  |  |  |  |  |  |   |   |   |   |   |   |
|                  |   |                | Enabled  | 1     | Enable shortcut   |  |  |  |  |  |  |  |  |  |  |  |  |  |  |  |  |  |  |  |   |   |   |   |   |   |  |  |  |  |  |  |   |   |   |   |   |   |
| D                | RW  | COMPARE3_CLEAR |          |       | Shortcut between COMPARE[3] event and CLEAR task<br><br>See <a href="#">EVENTS_COMPARE[3]</a> and <a href="#">TASKS_CLEAR</a> |  |  |  |  |  |  |  |  |  |  |  |  |  |  |  |  |  |  |  |   |   |   |   |   |   |  |  |  |  |  |  |   |   |   |   |   |   |
|                  |   |                | Disabled | 0     | Disable shortcut  |  |  |  |  |  |  |  |  |  |  |  |  |  |  |  |  |  |  |  |   |   |   |   |   |   |  |  |  |  |  |  |   |   |   |   |   |   |
|                  |   |                | Enabled  | 1     | Enable shortcut   |  |  |  |  |  |  |  |  |  |  |  |  |  |  |  |  |  |  |  |   |   |   |   |   |   |  |  |  |  |  |  |   |   |   |   |   |   |
| E                | RW  | COMPARE4_CLEAR |          |       | Shortcut between COMPARE[4] event and CLEAR task<br><br>See <a href="#">EVENTS_COMPARE[4]</a> and <a href="#">TASKS_CLEAR</a> |  |  |  |  |  |  |  |  |  |  |  |  |  |  |  |  |  |  |  |   |   |   |   |   |   |  |  |  |  |  |  |   |   |   |   |   |   |

| Bit number       | 31 30 29 28 27 26 25 24 23 22 21 20 19 18 17 16 15 14 13 12 11 10 9 8 7 6 5 4 3 2 1 0 |                |          |       |   |  |  |  |  |  |  |  |  |  |  |  |  |  |  |  |  |  |  |  |   |   |   |   |   |   |  |  |  |  |  |  |   |   |   |   |   |   |
|------------------|---|----------------|----------|-------|---|--|--|--|--|--|--|--|--|--|--|--|--|--|--|--|--|--|--|--|---|---|---|---|---|---|--|--|--|--|--|--|---|---|---|---|---|---|
| Id               |   |                |          |       |   |  |  |  |  |  |  |  |  |  |  |  |  |  |  |  |  |  |  |  | L | K | J | I | H | G |  |  |  |  |  |  | F | E | D | C | B | A |
| Reset 0x00000000 | 0             |                |          |       |   |  |  |  |  |  |  |  |  |  |  |  |  |  |  |  |  |  |  |  |   |   |   |   |   |   |  |  |  |  |  |  |   |   |   |   |   |   |
| Id               | RW  | Field          | Value Id | Value | Description   |  |  |  |  |  |  |  |  |  |  |  |  |  |  |  |  |  |  |  |   |   |   |   |   |   |  |  |  |  |  |  |   |   |   |   |   |   |
|                  |   |                | Disabled | 0     | Disable shortcut  |  |  |  |  |  |  |  |  |  |  |  |  |  |  |  |  |  |  |  |   |   |   |   |   |   |  |  |  |  |  |  |   |   |   |   |   |   |
|                  |   |                | Enabled  | 1     | Enable shortcut   |  |  |  |  |  |  |  |  |  |  |  |  |  |  |  |  |  |  |  |   |   |   |   |   |   |  |  |  |  |  |  |   |   |   |   |   |   |
| F                | RW  | COMPARE5_CLEAR |          |       | Shortcut between COMPARE[5] event and CLEAR task<br>See <a href="#">EVENTS_COMPARE[5]</a> and <a href="#">TASKS_CLEAR</a> |  |  |  |  |  |  |  |  |  |  |  |  |  |  |  |  |  |  |  |   |   |   |   |   |   |  |  |  |  |  |  |   |   |   |   |   |   |
|                  |   |                | Disabled | 0     | Disable shortcut  |  |  |  |  |  |  |  |  |  |  |  |  |  |  |  |  |  |  |  |   |   |   |   |   |   |  |  |  |  |  |  |   |   |   |   |   |   |
|                  |   |                | Enabled  | 1     | Enable shortcut   |  |  |  |  |  |  |  |  |  |  |  |  |  |  |  |  |  |  |  |   |   |   |   |   |   |  |  |  |  |  |  |   |   |   |   |   |   |
| G                | RW  | COMPARE0_STOP  |          |       | Shortcut between COMPARE[0] event and STOP task<br>See <a href="#">EVENTS_COMPARE[0]</a> and <a href="#">TASKS_STOP</a>   |  |  |  |  |  |  |  |  |  |  |  |  |  |  |  |  |  |  |  |   |   |   |   |   |   |  |  |  |  |  |  |   |   |   |   |   |   |
|                  |   |                | Disabled | 0     | Disable shortcut  |  |  |  |  |  |  |  |  |  |  |  |  |  |  |  |  |  |  |  |   |   |   |   |   |   |  |  |  |  |  |  |   |   |   |   |   |   |
|                  |   |                | Enabled  | 1     | Enable shortcut   |  |  |  |  |  |  |  |  |  |  |  |  |  |  |  |  |  |  |  |   |   |   |   |   |   |  |  |  |  |  |  |   |   |   |   |   |   |
| H                | RW  | COMPARE1_STOP  |          |       | Shortcut between COMPARE[1] event and STOP task<br>See <a href="#">EVENTS_COMPARE[1]</a> and <a href="#">TASKS_STOP</a>   |  |  |  |  |  |  |  |  |  |  |  |  |  |  |  |  |  |  |  |   |   |   |   |   |   |  |  |  |  |  |  |   |   |   |   |   |   |
|                  |   |                | Disabled | 0     | Disable shortcut  |  |  |  |  |  |  |  |  |  |  |  |  |  |  |  |  |  |  |  |   |   |   |   |   |   |  |  |  |  |  |  |   |   |   |   |   |   |
|                  |   |                | Enabled  | 1     | Enable shortcut   |  |  |  |  |  |  |  |  |  |  |  |  |  |  |  |  |  |  |  |   |   |   |   |   |   |  |  |  |  |  |  |   |   |   |   |   |   |
| I                | RW  | COMPARE2_STOP  |          |       | Shortcut between COMPARE[2] event and STOP task<br>See <a href="#">EVENTS_COMPARE[2]</a> and <a href="#">TASKS_STOP</a>   |  |  |  |  |  |  |  |  |  |  |  |  |  |  |  |  |  |  |  |   |   |   |   |   |   |  |  |  |  |  |  |   |   |   |   |   |   |
|                  |   |                | Disabled | 0     | Disable shortcut  |  |  |  |  |  |  |  |  |  |  |  |  |  |  |  |  |  |  |  |   |   |   |   |   |   |  |  |  |  |  |  |   |   |   |   |   |   |
|                  |   |                | Enabled  | 1     | Enable shortcut   |  |  |  |  |  |  |  |  |  |  |  |  |  |  |  |  |  |  |  |   |   |   |   |   |   |  |  |  |  |  |  |   |   |   |   |   |   |
| J                | RW  | COMPARE3_STOP  |          |       | Shortcut between COMPARE[3] event and STOP task<br>See <a href="#">EVENTS_COMPARE[3]</a> and <a href="#">TASKS_STOP</a>   |  |  |  |  |  |  |  |  |  |  |  |  |  |  |  |  |  |  |  |   |   |   |   |   |   |  |  |  |  |  |  |   |   |   |   |   |   |
|                  |   |                | Disabled | 0     | Disable shortcut  |  |  |  |  |  |  |  |  |  |  |  |  |  |  |  |  |  |  |  |   |   |   |   |   |   |  |  |  |  |  |  |   |   |   |   |   |   |
|                  |   |                | Enabled  | 1     | Enable shortcut   |  |  |  |  |  |  |  |  |  |  |  |  |  |  |  |  |  |  |  |   |   |   |   |   |   |  |  |  |  |  |  |   |   |   |   |   |   |
| K                | RW  | COMPARE4_STOP  |          |       | Shortcut between COMPARE[4] event and STOP task<br>See <a href="#">EVENTS_COMPARE[4]</a> and <a href="#">TASKS_STOP</a>   |  |  |  |  |  |  |  |  |  |  |  |  |  |  |  |  |  |  |  |   |   |   |   |   |   |  |  |  |  |  |  |   |   |   |   |   |   |
|                  |   |                | Disabled | 0     | Disable shortcut  |  |  |  |  |  |  |  |  |  |  |  |  |  |  |  |  |  |  |  |   |   |   |   |   |   |  |  |  |  |  |  |   |   |   |   |   |   |
|                  |   |                | Enabled  | 1     | Enable shortcut   |  |  |  |  |  |  |  |  |  |  |  |  |  |  |  |  |  |  |  |   |   |   |   |   |   |  |  |  |  |  |  |   |   |   |   |   |   |
| L                | RW  | COMPARE5_STOP  |          |       | Shortcut between COMPARE[5] event and STOP task<br>See <a href="#">EVENTS_COMPARE[5]</a> and <a href="#">TASKS_STOP</a>   |  |  |  |  |  |  |  |  |  |  |  |  |  |  |  |  |  |  |  |   |   |   |   |   |   |  |  |  |  |  |  |   |   |   |   |   |   |
|                  |   |                | Disabled | 0     | Disable shortcut  |  |  |  |  |  |  |  |  |  |  |  |  |  |  |  |  |  |  |  |   |   |   |   |   |   |  |  |  |  |  |  |   |   |   |   |   |   |
|                  |   |                | Enabled  | 1     | Enable shortcut   |  |  |  |  |  |  |  |  |  |  |  |  |  |  |  |  |  |  |  |   |   |   |   |   |   |  |  |  |  |  |  |   |   |   |   |   |   |

### 24.5.2 INTENSET

Address offset: 0x304

Enable interrupt

| Bit number       | 31 30 29 28 27 26 25 24 23 22 21 20 19 18 17 16 15 14 13 12 11 10 9 8 7 6 5 4 3 2 1 0 |          |          |       |   |  |  |  |  |  |  |  |  |  |  |  |  |  |  |  |  |  |  |  |   |   |   |   |   |   |  |
|------------------|---|----------|----------|-------|---|--|--|--|--|--|--|--|--|--|--|--|--|--|--|--|--|--|--|--|---|---|---|---|---|---|--|
| Id               |   |          |          |       |   |  |  |  |  |  |  |  |  |  |  |  |  |  |  |  |  |  |  |  | F | E | D | C | B | A |  |
| Reset 0x00000000 | 0             |          |          |       |   |  |  |  |  |  |  |  |  |  |  |  |  |  |  |  |  |  |  |  |   |   |   |   |   |   |  |
| Id               | RW  | Field    | Value Id | Value | Description   |  |  |  |  |  |  |  |  |  |  |  |  |  |  |  |  |  |  |  |   |   |   |   |   |   |  |
| A                | RW  | COMPARE0 |          |       | Write '1' to Enable interrupt for COMPARE[0] event<br>See <a href="#">EVENTS_COMPARE[0]</a> |  |  |  |  |  |  |  |  |  |  |  |  |  |  |  |  |  |  |  |   |   |   |   |   |   |  |
|                  |   |          | Set      | 1     | Enable  |  |  |  |  |  |  |  |  |  |  |  |  |  |  |  |  |  |  |  |   |   |   |   |   |   |  |
|                  |   |          | Disabled | 0     | Read: Disabled  |  |  |  |  |  |  |  |  |  |  |  |  |  |  |  |  |  |  |  |   |   |   |   |   |   |  |
|                  |   |          | Enabled  | 1     | Read: Enabled   |  |  |  |  |  |  |  |  |  |  |  |  |  |  |  |  |  |  |  |   |   |   |   |   |   |  |
| B                | RW  | COMPARE1 |          |       | Write '1' to Enable interrupt for COMPARE[1] event<br>See <a href="#">EVENTS_COMPARE[1]</a> |  |  |  |  |  |  |  |  |  |  |  |  |  |  |  |  |  |  |  |   |   |   |   |   |   |  |
|                  |   |          | Set      | 1     | Enable  |  |  |  |  |  |  |  |  |  |  |  |  |  |  |  |  |  |  |  |   |   |   |   |   |   |  |
|                  |   |          | Disabled | 0     | Read: Disabled  |  |  |  |  |  |  |  |  |  |  |  |  |  |  |  |  |  |  |  |   |   |   |   |   |   |  |
|                  |   |          | Enabled  | 1     | Read: Enabled   |  |  |  |  |  |  |  |  |  |  |  |  |  |  |  |  |  |  |  |   |   |   |   |   |   |  |
| C                | RW  | COMPARE2 |          |       | Write '1' to Enable interrupt for COMPARE[2] event  |  |  |  |  |  |  |  |  |  |  |  |  |  |  |  |  |  |  |  |   |   |   |   |   |   |  |

| Bit number       | 31 30 29 28 27 26 25 24 23 22 21 20 19 18 17 16 15 14 13 12 11 10 9 8 7 6 5 4 3 2 1 0 |          |          |       |  |  |  |  |  |  |  |  |  |  |  |  |  |  |  |  |  |  |  |  |  |  |  |  |  |  |  |
|------------------|---|----------|----------|-------|--|--|--|--|--|--|--|--|--|--|--|--|--|--|--|--|--|--|--|--|--|--|--|--|--|--|--|
| Id               | F E D C B A   |          |          |       |  |  |  |  |  |  |  |  |  |  |  |  |  |  |  |  |  |  |  |  |  |  |  |  |  |  |  |
| Reset 0x00000000 | 0             |          |          |       |  |  |  |  |  |  |  |  |  |  |  |  |  |  |  |  |  |  |  |  |  |  |  |  |  |  |  |
| Id               | RW  | Field    | Value Id | Value | Description  |  |  |  |  |  |  |  |  |  |  |  |  |  |  |  |  |  |  |  |  |  |  |  |  |  |  |
|                  |   |          |          |       | See <a href="#">EVENTS_COMPARE[2]</a>              |  |  |  |  |  |  |  |  |  |  |  |  |  |  |  |  |  |  |  |  |  |  |  |  |  |  |
|                  |   |          | Set      | 1     | Enable   |  |  |  |  |  |  |  |  |  |  |  |  |  |  |  |  |  |  |  |  |  |  |  |  |  |  |
|                  |   |          | Disabled | 0     | Read: Disabled                                     |  |  |  |  |  |  |  |  |  |  |  |  |  |  |  |  |  |  |  |  |  |  |  |  |  |  |
|                  |   |          | Enabled  | 1     | Read: Enabled                                      |  |  |  |  |  |  |  |  |  |  |  |  |  |  |  |  |  |  |  |  |  |  |  |  |  |  |
| D                | RW  | COMPARE3 |          |       | Write '1' to Enable interrupt for COMPARE[3] event |  |  |  |  |  |  |  |  |  |  |  |  |  |  |  |  |  |  |  |  |  |  |  |  |  |  |
|                  |   |          |          |       | See <a href="#">EVENTS_COMPARE[3]</a>              |  |  |  |  |  |  |  |  |  |  |  |  |  |  |  |  |  |  |  |  |  |  |  |  |  |  |
|                  |   |          | Set      | 1     | Enable   |  |  |  |  |  |  |  |  |  |  |  |  |  |  |  |  |  |  |  |  |  |  |  |  |  |  |
|                  |   |          | Disabled | 0     | Read: Disabled                                     |  |  |  |  |  |  |  |  |  |  |  |  |  |  |  |  |  |  |  |  |  |  |  |  |  |  |
|                  |   |          | Enabled  | 1     | Read: Enabled                                      |  |  |  |  |  |  |  |  |  |  |  |  |  |  |  |  |  |  |  |  |  |  |  |  |  |  |
| E                | RW  | COMPARE4 |          |       | Write '1' to Enable interrupt for COMPARE[4] event |  |  |  |  |  |  |  |  |  |  |  |  |  |  |  |  |  |  |  |  |  |  |  |  |  |  |
|                  |   |          |          |       | See <a href="#">EVENTS_COMPARE[4]</a>              |  |  |  |  |  |  |  |  |  |  |  |  |  |  |  |  |  |  |  |  |  |  |  |  |  |  |
|                  |   |          | Set      | 1     | Enable   |  |  |  |  |  |  |  |  |  |  |  |  |  |  |  |  |  |  |  |  |  |  |  |  |  |  |
|                  |   |          | Disabled | 0     | Read: Disabled                                     |  |  |  |  |  |  |  |  |  |  |  |  |  |  |  |  |  |  |  |  |  |  |  |  |  |  |
|                  |   |          | Enabled  | 1     | Read: Enabled                                      |  |  |  |  |  |  |  |  |  |  |  |  |  |  |  |  |  |  |  |  |  |  |  |  |  |  |
| F                | RW  | COMPARE5 |          |       | Write '1' to Enable interrupt for COMPARE[5] event |  |  |  |  |  |  |  |  |  |  |  |  |  |  |  |  |  |  |  |  |  |  |  |  |  |  |
|                  |   |          |          |       | See <a href="#">EVENTS_COMPARE[5]</a>              |  |  |  |  |  |  |  |  |  |  |  |  |  |  |  |  |  |  |  |  |  |  |  |  |  |  |
|                  |   |          | Set      | 1     | Enable   |  |  |  |  |  |  |  |  |  |  |  |  |  |  |  |  |  |  |  |  |  |  |  |  |  |  |
|                  |   |          | Disabled | 0     | Read: Disabled                                     |  |  |  |  |  |  |  |  |  |  |  |  |  |  |  |  |  |  |  |  |  |  |  |  |  |  |
|                  |   |          | Enabled  | 1     | Read: Enabled                                      |  |  |  |  |  |  |  |  |  |  |  |  |  |  |  |  |  |  |  |  |  |  |  |  |  |  |

### 24.5.3 INTENCLR

Address offset: 0x308

Disable interrupt

| Bit number       | 31 30 29 28 27 26 25 24 23 22 21 20 19 18 17 16 15 14 13 12 11 10 9 8 7 6 5 4 3 2 1 0 |          |          |       |   |  |  |  |  |  |  |  |  |  |  |  |  |  |  |  |  |  |  |  |  |  |  |  |  |  |  |
|------------------|---|----------|----------|-------|---|--|--|--|--|--|--|--|--|--|--|--|--|--|--|--|--|--|--|--|--|--|--|--|--|--|--|
| Id               | F E D C B A   |          |          |       |   |  |  |  |  |  |  |  |  |  |  |  |  |  |  |  |  |  |  |  |  |  |  |  |  |  |  |
| Reset 0x00000000 | 0             |          |          |       |   |  |  |  |  |  |  |  |  |  |  |  |  |  |  |  |  |  |  |  |  |  |  |  |  |  |  |
| Id               | RW  | Field    | Value Id | Value | Description   |  |  |  |  |  |  |  |  |  |  |  |  |  |  |  |  |  |  |  |  |  |  |  |  |  |  |
| A                | RW  | COMPARE0 |          |       | Write '1' to Disable interrupt for COMPARE[0] event |  |  |  |  |  |  |  |  |  |  |  |  |  |  |  |  |  |  |  |  |  |  |  |  |  |  |
|                  |   |          |          |       | See <a href="#">EVENTS_COMPARE[0]</a>               |  |  |  |  |  |  |  |  |  |  |  |  |  |  |  |  |  |  |  |  |  |  |  |  |  |  |
|                  |   |          | Clear    | 1     | Disable   |  |  |  |  |  |  |  |  |  |  |  |  |  |  |  |  |  |  |  |  |  |  |  |  |  |  |
|                  |   |          | Disabled | 0     | Read: Disabled                                      |  |  |  |  |  |  |  |  |  |  |  |  |  |  |  |  |  |  |  |  |  |  |  |  |  |  |
|                  |   |          | Enabled  | 1     | Read: Enabled                                       |  |  |  |  |  |  |  |  |  |  |  |  |  |  |  |  |  |  |  |  |  |  |  |  |  |  |
| B                | RW  | COMPARE1 |          |       | Write '1' to Disable interrupt for COMPARE[1] event |  |  |  |  |  |  |  |  |  |  |  |  |  |  |  |  |  |  |  |  |  |  |  |  |  |  |
|                  |   |          |          |       | See <a href="#">EVENTS_COMPARE[1]</a>               |  |  |  |  |  |  |  |  |  |  |  |  |  |  |  |  |  |  |  |  |  |  |  |  |  |  |
|                  |   |          | Clear    | 1     | Disable   |  |  |  |  |  |  |  |  |  |  |  |  |  |  |  |  |  |  |  |  |  |  |  |  |  |  |
|                  |   |          | Disabled | 0     | Read: Disabled                                      |  |  |  |  |  |  |  |  |  |  |  |  |  |  |  |  |  |  |  |  |  |  |  |  |  |  |
|                  |   |          | Enabled  | 1     | Read: Enabled                                       |  |  |  |  |  |  |  |  |  |  |  |  |  |  |  |  |  |  |  |  |  |  |  |  |  |  |
| C                | RW  | COMPARE2 |          |       | Write '1' to Disable interrupt for COMPARE[2] event |  |  |  |  |  |  |  |  |  |  |  |  |  |  |  |  |  |  |  |  |  |  |  |  |  |  |
|                  |   |          |          |       | See <a href="#">EVENTS_COMPARE[2]</a>               |  |  |  |  |  |  |  |  |  |  |  |  |  |  |  |  |  |  |  |  |  |  |  |  |  |  |
|                  |   |          | Clear    | 1     | Disable   |  |  |  |  |  |  |  |  |  |  |  |  |  |  |  |  |  |  |  |  |  |  |  |  |  |  |
|                  |   |          | Disabled | 0     | Read: Disabled                                      |  |  |  |  |  |  |  |  |  |  |  |  |  |  |  |  |  |  |  |  |  |  |  |  |  |  |
|                  |   |          | Enabled  | 1     | Read: Enabled                                       |  |  |  |  |  |  |  |  |  |  |  |  |  |  |  |  |  |  |  |  |  |  |  |  |  |  |
| D                | RW  | COMPARE3 |          |       | Write '1' to Disable interrupt for COMPARE[3] event |  |  |  |  |  |  |  |  |  |  |  |  |  |  |  |  |  |  |  |  |  |  |  |  |  |  |
|                  |   |          |          |       | See <a href="#">EVENTS_COMPARE[3]</a>               |  |  |  |  |  |  |  |  |  |  |  |  |  |  |  |  |  |  |  |  |  |  |  |  |  |  |
|                  |   |          | Clear    | 1     | Disable   |  |  |  |  |  |  |  |  |  |  |  |  |  |  |  |  |  |  |  |  |  |  |  |  |  |  |
|                  |   |          | Disabled | 0     | Read: Disabled                                      |  |  |  |  |  |  |  |  |  |  |  |  |  |  |  |  |  |  |  |  |  |  |  |  |  |  |
|                  |   |          | Enabled  | 1     | Read: Enabled                                       |  |  |  |  |  |  |  |  |  |  |  |  |  |  |  |  |  |  |  |  |  |  |  |  |  |  |
| E                | RW  | COMPARE4 |          |       | Write '1' to Disable interrupt for COMPARE[4] event |  |  |  |  |  |  |  |  |  |  |  |  |  |  |  |  |  |  |  |  |  |  |  |  |  |  |
|                  |   |          |          |       | See <a href="#">EVENTS_COMPARE[4]</a>               |  |  |  |  |  |  |  |  |  |  |  |  |  |  |  |  |  |  |  |  |  |  |  |  |  |  |
|                  |   |          | Clear    | 1     | Disable   |  |  |  |  |  |  |  |  |  |  |  |  |  |  |  |  |  |  |  |  |  |  |  |  |  |  |

| Bit number       | 31 | 30       | 29       | 28    | 27  | 26 | 25 | 24 | 23 | 22 | 21 | 20 | 19 | 18 | 17 | 16 | 15 | 14 | 13 | 12 | 11 | 10 | 9 | 8 | 7 | 6 | 5 | 4 | 3 | 2 | 1 | 0 |   |
|------------------|----|----------|----------|-------|---|----|----|----|----|----|----|----|----|----|----|----|----|----|----|----|----|----|---|---|---|---|---|---|---|---|---|---|---|
| Id               |    |          |          |       |   |    |    |    |    |    |    |    |    |    |    |    | F  | E  | D  | C  | B  | A  |   |   |   |   |   |   |   |   |   |   |   |
| Reset 0x00000000 | 0  | 0        | 0        | 0     | 0   | 0  | 0  | 0  | 0  | 0  | 0  | 0  | 0  | 0  | 0  | 0  | 0  | 0  | 0  | 0  | 0  | 0  | 0 | 0 | 0 | 0 | 0 | 0 | 0 | 0 | 0 | 0 | 0 |
| Id               | RW | Field    | Value Id | Value | Description   |    |    |    |    |    |    |    |    |    |    |    |    |    |    |    |    |    |   |   |   |   |   |   |   |   |   |   |   |
|                  |    |          | Disabled | 0     | Read: Disabled                                      |    |    |    |    |    |    |    |    |    |    |    |    |    |    |    |    |    |   |   |   |   |   |   |   |   |   |   |   |
|                  |    |          | Enabled  | 1     | Read: Enabled                                       |    |    |    |    |    |    |    |    |    |    |    |    |    |    |    |    |    |   |   |   |   |   |   |   |   |   |   |   |
| F                | RW | COMPARE5 |          |       | Write '1' to Disable interrupt for COMPARE[5] event |    |    |    |    |    |    |    |    |    |    |    |    |    |    |    |    |    |   |   |   |   |   |   |   |   |   |   |   |
|                  |    |          |          |       | See <a href="#">EVENTS_COMPARE[5]</a>               |    |    |    |    |    |    |    |    |    |    |    |    |    |    |    |    |    |   |   |   |   |   |   |   |   |   |   |   |
|                  |    |          | Clear    | 1     | Disable   |    |    |    |    |    |    |    |    |    |    |    |    |    |    |    |    |    |   |   |   |   |   |   |   |   |   |   |   |
|                  |    |          | Disabled | 0     | Read: Disabled                                      |    |    |    |    |    |    |    |    |    |    |    |    |    |    |    |    |    |   |   |   |   |   |   |   |   |   |   |   |
|                  |    |          | Enabled  | 1     | Read: Enabled                                       |    |    |    |    |    |    |    |    |    |    |    |    |    |    |    |    |    |   |   |   |   |   |   |   |   |   |   |   |

### 24.5.4 MODE

Address offset: 0x504

Timer mode selection

| Bit number       | 31 | 30    | 29              | 28    | 27  | 26 | 25 | 24 | 23 | 22 | 21 | 20 | 19 | 18 | 17 | 16 | 15 | 14 | 13 | 12 | 11 | 10 | 9 | 8 | 7 | 6 | 5 | 4 | 3 | 2 | 1 | 0 |
|------------------|----|-------|-----------------|-------|---|----|----|----|----|----|----|----|----|----|----|----|----|----|----|----|----|----|---|---|---|---|---|---|---|---|---|---|
| Id               |    |       |                 |       |   |    |    |    |    |    |    |    |    |    |    |    | A  | A  |    |    |    |    |   |   |   |   |   |   |   |   |   |   |
| Reset 0x00000000 | 0  | 0     | 0               | 0     | 0   | 0  | 0  | 0  | 0  | 0  | 0  | 0  | 0  | 0  | 0  | 0  | 0  | 0  | 0  | 0  | 0  | 0  | 0 | 0 | 0 | 0 | 0 | 0 | 0 | 0 | 0 | 0 |
| Id               | RW | Field | Value Id        | Value | Description   |    |    |    |    |    |    |    |    |    |    |    |    |    |    |    |    |    |   |   |   |   |   |   |   |   |   |   |
| A                | RW | MODE  |                 |       | Timer mode  |    |    |    |    |    |    |    |    |    |    |    |    |    |    |    |    |    |   |   |   |   |   |   |   |   |   |   |
|                  |    |       | Timer           | 0     | Select Timer mode   |    |    |    |    |    |    |    |    |    |    |    |    |    |    |    |    |    |   |   |   |   |   |   |   |   |   |   |
|                  |    |       | Counter         | 1     | Select Counter mode <span style="float: right;">Deprecated</span> |    |    |    |    |    |    |    |    |    |    |    |    |    |    |    |    |    |   |   |   |   |   |   |   |   |   |   |
|                  |    |       | LowPowerCounter | 2     | Select Low Power Counter mode                                     |    |    |    |    |    |    |    |    |    |    |    |    |    |    |    |    |    |   |   |   |   |   |   |   |   |   |   |

### 24.5.5 BITMODE

Address offset: 0x508

Configure the number of bits used by the TIMER

| Bit number       | 31 | 30      | 29       | 28    | 27                     | 26 | 25 | 24 | 23 | 22 | 21 | 20 | 19 | 18 | 17 | 16 | 15 | 14 | 13 | 12 | 11 | 10 | 9 | 8 | 7 | 6 | 5 | 4 | 3 | 2 | 1 | 0 |
|------------------|----|---------|----------|-------|------------------------|----|----|----|----|----|----|----|----|----|----|----|----|----|----|----|----|----|---|---|---|---|---|---|---|---|---|---|
| Id               |    |         |          |       |                        |    |    |    |    |    |    |    |    |    |    |    | A  | A  |    |    |    |    |   |   |   |   |   |   |   |   |   |   |
| Reset 0x00000000 | 0  | 0       | 0        | 0     | 0                      | 0  | 0  | 0  | 0  | 0  | 0  | 0  | 0  | 0  | 0  | 0  | 0  | 0  | 0  | 0  | 0  | 0  | 0 | 0 | 0 | 0 | 0 | 0 | 0 | 0 | 0 | 0 |
| Id               | RW | Field   | Value Id | Value | Description            |    |    |    |    |    |    |    |    |    |    |    |    |    |    |    |    |    |   |   |   |   |   |   |   |   |   |   |
| A                | RW | BITMODE |          |       | Timer bit width        |    |    |    |    |    |    |    |    |    |    |    |    |    |    |    |    |    |   |   |   |   |   |   |   |   |   |   |
|                  |    |         | 16Bit    | 0     | 16 bit timer bit width |    |    |    |    |    |    |    |    |    |    |    |    |    |    |    |    |    |   |   |   |   |   |   |   |   |   |   |
|                  |    |         | 08Bit    | 1     | 8 bit timer bit width  |    |    |    |    |    |    |    |    |    |    |    |    |    |    |    |    |    |   |   |   |   |   |   |   |   |   |   |
|                  |    |         | 24Bit    | 2     | 24 bit timer bit width |    |    |    |    |    |    |    |    |    |    |    |    |    |    |    |    |    |   |   |   |   |   |   |   |   |   |   |
|                  |    |         | 32Bit    | 3     | 32 bit timer bit width |    |    |    |    |    |    |    |    |    |    |    |    |    |    |    |    |    |   |   |   |   |   |   |   |   |   |   |

### 24.5.6 PRESCALER

Address offset: 0x510

Timer prescaler register

| Bit number       | 31 | 30        | 29       | 28     | 27              | 26 | 25 | 24 | 23 | 22 | 21 | 20 | 19 | 18 | 17 | 16 | 15 | 14 | 13 | 12 | 11 | 10 | 9 | 8 | 7 | 6 | 5 | 4 | 3 | 2 | 1 | 0 |   |
|------------------|----|-----------|----------|--------|-----------------|----|----|----|----|----|----|----|----|----|----|----|----|----|----|----|----|----|---|---|---|---|---|---|---|---|---|---|---|
| Id               |    |           |          |        |                 |    |    |    |    |    |    |    |    |    |    |    | A  | A  | A  | A  |    |    |   |   |   |   |   |   |   |   |   |   |   |
| Reset 0x00000004 | 0  | 0         | 0        | 0      | 0               | 0  | 0  | 0  | 0  | 0  | 0  | 0  | 0  | 0  | 0  | 0  | 0  | 0  | 0  | 0  | 0  | 0  | 0 | 0 | 0 | 0 | 0 | 0 | 0 | 0 | 1 | 0 | 0 |
| Id               | RW | Field     | Value Id | Value  | Description     |    |    |    |    |    |    |    |    |    |    |    |    |    |    |    |    |    |   |   |   |   |   |   |   |   |   |   |   |
| A                | RW | PRESCALER |          | [0..9] | Prescaler value |    |    |    |    |    |    |    |    |    |    |    |    |    |    |    |    |    |   |   |   |   |   |   |   |   |   |   |   |

### 24.5.7 CC[0]

Address offset: 0x540

Capture/Compare register 0

|                  |    |    |    |    |    |    |    |    |    |    |    |    |    |    |    |    |    |    |    |    |    |    |   |   |   |   |   |   |   |   |   |   |
|------------------|----|----|----|----|----|----|----|----|----|----|----|----|----|----|----|----|----|----|----|----|----|----|---|---|---|---|---|---|---|---|---|---|
| Bit number       | 31 | 30 | 29 | 28 | 27 | 26 | 25 | 24 | 23 | 22 | 21 | 20 | 19 | 18 | 17 | 16 | 15 | 14 | 13 | 12 | 11 | 10 | 9 | 8 | 7 | 6 | 5 | 4 | 3 | 2 | 1 | 0 |
| Id               | A  | A  | A  | A  | A  | A  | A  | A  | A  | A  | A  | A  | A  | A  | A  | A  | A  | A  | A  | A  | A  | A  | A | A | A | A | A | A | A | A | A | A |
| Reset 0x00000000 | 0  | 0  | 0  | 0  | 0  | 0  | 0  | 0  | 0  | 0  | 0  | 0  | 0  | 0  | 0  | 0  | 0  | 0  | 0  | 0  | 0  | 0  | 0 | 0 | 0 | 0 | 0 | 0 | 0 | 0 | 0 |   |

| Id | RW | Field | Value Id | Value | Description           |
|----|----|-------|----------|-------|-----------------------|
| A  | RW | CC    |          |       | Capture/Compare value |

Only the number of bits indicated by BITMODE will be used by the TIMER.

### 24.5.8 CC[1]

Address offset: 0x544

Capture/Compare register 1

|                  |    |    |    |    |    |    |    |    |    |    |    |    |    |    |    |    |    |    |    |    |    |    |   |   |   |   |   |   |   |   |   |   |
|------------------|----|----|----|----|----|----|----|----|----|----|----|----|----|----|----|----|----|----|----|----|----|----|---|---|---|---|---|---|---|---|---|---|
| Bit number       | 31 | 30 | 29 | 28 | 27 | 26 | 25 | 24 | 23 | 22 | 21 | 20 | 19 | 18 | 17 | 16 | 15 | 14 | 13 | 12 | 11 | 10 | 9 | 8 | 7 | 6 | 5 | 4 | 3 | 2 | 1 | 0 |
| Id               | A  | A  | A  | A  | A  | A  | A  | A  | A  | A  | A  | A  | A  | A  | A  | A  | A  | A  | A  | A  | A  | A  | A | A | A | A | A | A | A | A | A |   |
| Reset 0x00000000 | 0  | 0  | 0  | 0  | 0  | 0  | 0  | 0  | 0  | 0  | 0  | 0  | 0  | 0  | 0  | 0  | 0  | 0  | 0  | 0  | 0  | 0  | 0 | 0 | 0 | 0 | 0 | 0 | 0 | 0 | 0 |   |

| Id | RW | Field | Value Id | Value | Description           |
|----|----|-------|----------|-------|-----------------------|
| A  | RW | CC    |          |       | Capture/Compare value |

Only the number of bits indicated by BITMODE will be used by the TIMER.

### 24.5.9 CC[2]

Address offset: 0x548

Capture/Compare register 2

|                  |    |    |    |    |    |    |    |    |    |    |    |    |    |    |    |    |    |    |    |    |    |    |   |   |   |   |   |   |   |   |   |   |
|------------------|----|----|----|----|----|----|----|----|----|----|----|----|----|----|----|----|----|----|----|----|----|----|---|---|---|---|---|---|---|---|---|---|
| Bit number       | 31 | 30 | 29 | 28 | 27 | 26 | 25 | 24 | 23 | 22 | 21 | 20 | 19 | 18 | 17 | 16 | 15 | 14 | 13 | 12 | 11 | 10 | 9 | 8 | 7 | 6 | 5 | 4 | 3 | 2 | 1 | 0 |
| Id               | A  | A  | A  | A  | A  | A  | A  | A  | A  | A  | A  | A  | A  | A  | A  | A  | A  | A  | A  | A  | A  | A  | A | A | A | A | A | A | A | A | A |   |
| Reset 0x00000000 | 0  | 0  | 0  | 0  | 0  | 0  | 0  | 0  | 0  | 0  | 0  | 0  | 0  | 0  | 0  | 0  | 0  | 0  | 0  | 0  | 0  | 0  | 0 | 0 | 0 | 0 | 0 | 0 | 0 | 0 | 0 |   |

| Id | RW | Field | Value Id | Value | Description           |
|----|----|-------|----------|-------|-----------------------|
| A  | RW | CC    |          |       | Capture/Compare value |

Only the number of bits indicated by BITMODE will be used by the TIMER.

### 24.5.10 CC[3]

Address offset: 0x54C

Capture/Compare register 3

|                  |    |    |    |    |    |    |    |    |    |    |    |    |    |    |    |    |    |    |    |    |    |    |   |   |   |   |   |   |   |   |   |   |
|------------------|----|----|----|----|----|----|----|----|----|----|----|----|----|----|----|----|----|----|----|----|----|----|---|---|---|---|---|---|---|---|---|---|
| Bit number       | 31 | 30 | 29 | 28 | 27 | 26 | 25 | 24 | 23 | 22 | 21 | 20 | 19 | 18 | 17 | 16 | 15 | 14 | 13 | 12 | 11 | 10 | 9 | 8 | 7 | 6 | 5 | 4 | 3 | 2 | 1 | 0 |
| Id               | A  | A  | A  | A  | A  | A  | A  | A  | A  | A  | A  | A  | A  | A  | A  | A  | A  | A  | A  | A  | A  | A  | A | A | A | A | A | A | A | A | A |   |
| Reset 0x00000000 | 0  | 0  | 0  | 0  | 0  | 0  | 0  | 0  | 0  | 0  | 0  | 0  | 0  | 0  | 0  | 0  | 0  | 0  | 0  | 0  | 0  | 0  | 0 | 0 | 0 | 0 | 0 | 0 | 0 | 0 | 0 |   |

| Id | RW | Field | Value Id | Value | Description           |
|----|----|-------|----------|-------|-----------------------|
| A  | RW | CC    |          |       | Capture/Compare value |

Only the number of bits indicated by BITMODE will be used by the TIMER.

### 24.5.11 CC[4]

Address offset: 0x550

Capture/Compare register 4

|                  |    |    |    |    |    |    |    |    |    |    |    |    |    |    |    |    |    |    |    |    |    |    |   |   |   |   |   |   |   |   |   |   |
|------------------|----|----|----|----|----|----|----|----|----|----|----|----|----|----|----|----|----|----|----|----|----|----|---|---|---|---|---|---|---|---|---|---|
| Bit number       | 31 | 30 | 29 | 28 | 27 | 26 | 25 | 24 | 23 | 22 | 21 | 20 | 19 | 18 | 17 | 16 | 15 | 14 | 13 | 12 | 11 | 10 | 9 | 8 | 7 | 6 | 5 | 4 | 3 | 2 | 1 | 0 |
| Id               | A  | A  | A  | A  | A  | A  | A  | A  | A  | A  | A  | A  | A  | A  | A  | A  | A  | A  | A  | A  | A  | A  | A | A | A | A | A | A | A | A | A |   |
| Reset 0x00000000 | 0  | 0  | 0  | 0  | 0  | 0  | 0  | 0  | 0  | 0  | 0  | 0  | 0  | 0  | 0  | 0  | 0  | 0  | 0  | 0  | 0  | 0  | 0 | 0 | 0 | 0 | 0 | 0 | 0 | 0 | 0 |   |

| Id | RW | Field | Value Id | Value | Description           |
|----|----|-------|----------|-------|-----------------------|
| A  | RW | CC    |          |       | Capture/Compare value |



|                  |    |    |    |    |    |    |    |    |    |    |    |    |    |    |    |    |    |    |    |    |    |    |   |   |   |   |   |   |   |   |   |   |   |
|------------------|----|----|----|----|----|----|----|----|----|----|----|----|----|----|----|----|----|----|----|----|----|----|---|---|---|---|---|---|---|---|---|---|---|
| Bit number       | 31 | 30 | 29 | 28 | 27 | 26 | 25 | 24 | 23 | 22 | 21 | 20 | 19 | 18 | 17 | 16 | 15 | 14 | 13 | 12 | 11 | 10 | 9 | 8 | 7 | 6 | 5 | 4 | 3 | 2 | 1 | 0 |   |
| Id               | A  | A  | A  | A  | A  | A  | A  | A  | A  | A  | A  | A  | A  | A  | A  | A  | A  | A  | A  | A  | A  | A  | A | A | A | A | A | A | A | A | A | A | A |
| Reset 0x00000000 | 0  | 0  | 0  | 0  | 0  | 0  | 0  | 0  | 0  | 0  | 0  | 0  | 0  | 0  | 0  | 0  | 0  | 0  | 0  | 0  | 0  | 0  | 0 | 0 | 0 | 0 | 0 | 0 | 0 | 0 | 0 | 0 | 0 |

| Id | RW | Field | Value Id | Value | Description |
|----|----|-------|----------|-------|-------------|
|----|----|-------|----------|-------|-------------|

Only the number of bits indicated by BITMODE will be used by the TIMER.

### 24.5.12 CC[5]

Address offset: 0x554

Capture/Compare register 5

|                  |    |    |    |    |    |    |    |    |    |    |    |    |    |    |    |    |    |    |    |    |    |    |   |   |   |   |   |   |   |   |   |   |
|------------------|----|----|----|----|----|----|----|----|----|----|----|----|----|----|----|----|----|----|----|----|----|----|---|---|---|---|---|---|---|---|---|---|
| Bit number       | 31 | 30 | 29 | 28 | 27 | 26 | 25 | 24 | 23 | 22 | 21 | 20 | 19 | 18 | 17 | 16 | 15 | 14 | 13 | 12 | 11 | 10 | 9 | 8 | 7 | 6 | 5 | 4 | 3 | 2 | 1 | 0 |
| Id               | A  | A  | A  | A  | A  | A  | A  | A  | A  | A  | A  | A  | A  | A  | A  | A  | A  | A  | A  | A  | A  | A  | A | A | A | A | A | A | A | A | A | A |
| Reset 0x00000000 | 0  | 0  | 0  | 0  | 0  | 0  | 0  | 0  | 0  | 0  | 0  | 0  | 0  | 0  | 0  | 0  | 0  | 0  | 0  | 0  | 0  | 0  | 0 | 0 | 0 | 0 | 0 | 0 | 0 | 0 | 0 | 0 |

| Id | RW | Field | Value Id | Value | Description |
|----|----|-------|----------|-------|-------------|
|----|----|-------|----------|-------|-------------|

A RW CC

Capture/Compare value

Only the number of bits indicated by BITMODE will be used by the TIMER.

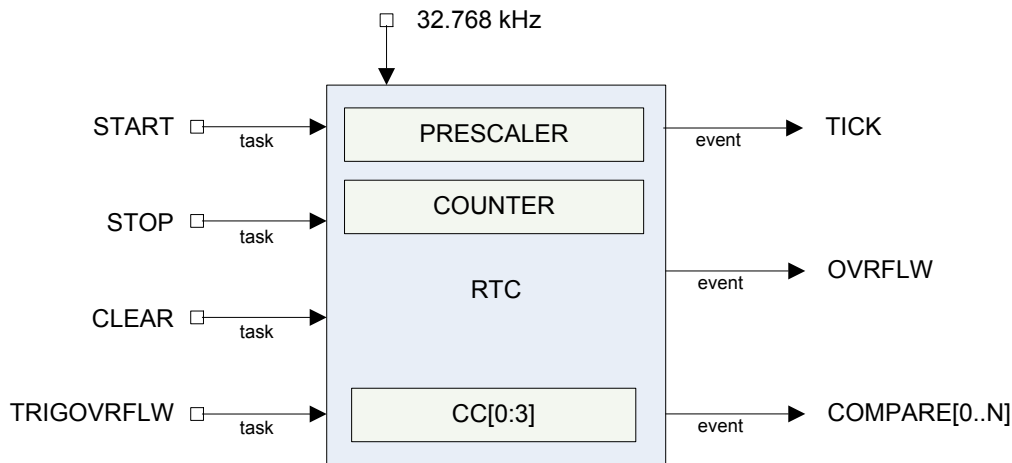
## 24.6 Electrical specification

### 24.6.1 Timers Electrical Specification

| Symbol                   | Description   | Min. | Typ. | Max. | Units |
|--------------------------|---|------|------|------|-------|
| I <sub>TIMER_1M</sub>    | Run current with 1 MHz clock input (PCLK1M)               | 3    | 5    | 8    | μA    |
| I <sub>TIMER_16M</sub>   | Run current with 16 MHz clock input (PCLK16M)             | 50   | 70   | 120  | μA    |
| t <sub>TIMER,START</sub> | Time from START task is given until timer starts counting |      | 0.25 |      | μs    |

## 25 RTC — Real-time counter

The Real-time counter (RTC) module provides a generic, low power timer on the low-frequency clock source (LFCLK).



**Figure 43: RTC block schematic**

The RTC module features a 24-bit COUNTER, a 12-bit (1/X) prescaler, capture/compare registers, and a tick event generator for low power, tickless RTOS implementation.

### 25.1 Clock source

The RTC will run off the LFCLK.

The COUNTER resolution will therefore be 30.517  $\mu$ s. Depending on the source, the RTC is able to run while the HFCLK is OFF and PCLK16M is not available.

The software has to explicitly start LFCLK before using the RTC.

See [CLOCK — Clock control](#) on page 101 for more information about clock sources.

### 25.2 Resolution versus overflow and the PRESCALER

Counter increment frequency:

$$f_{\text{RTC}} [\text{kHz}] = 32.768 / (\text{PRESCALER} + 1)$$

The PRESCALER register is read/write when the RTC is stopped. The PRESCALER register is read-only once the RTC is STARTed. Writing to the PRESCALER register when the RTC is started has no effect.

The PRESCALER is restarted on START, CLEAR and TRIGOVFLW, that is, the prescaler value is latched to an internal register (<<PRESC>>) on these tasks.

Examples:

1. Desired COUNTER frequency 100 Hz (10 ms counter period)

$$\text{PRESCALER} = \text{round}(32.768 \text{ kHz} / 100 \text{ Hz}) - 1 = 327$$

$$f_{\text{RTC}} = 99.9 \text{ Hz}$$

10009.576  $\mu$ s counter period

2. Desired COUNTER frequency 8 Hz (125 ms counter period)

PRESALER = round(32.768 kHz / 8 Hz) – 1 = 4095

$f_{RTC} = 8$  Hz

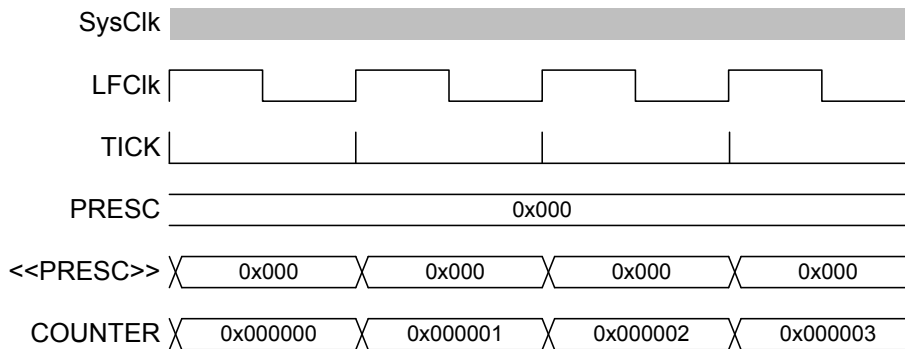
125 ms counter period

**Table 44: RTC resolution versus overflow**

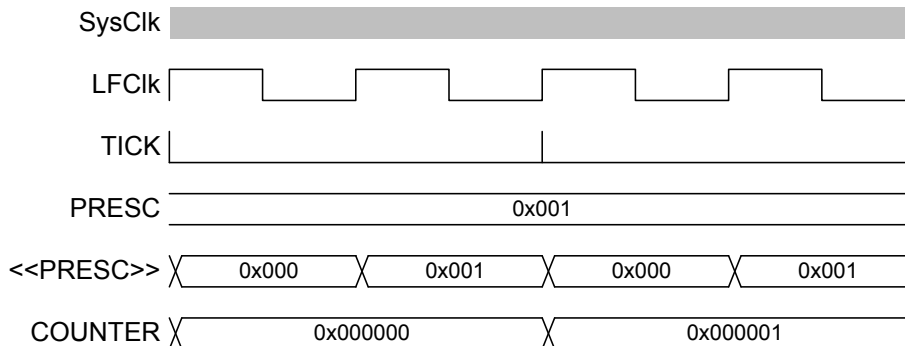
| Prescaler  | Counter resolution | Overflow       |
|------------|--------------------|----------------|
| 0          | 30.517 $\mu$ s     | 512 seconds    |
| $2^8-1$    | 7812.5 $\mu$ s     | 131072 seconds |
| $2^{12}-1$ | 125 ms             | 582.542 hours  |

### 25.3 COUNTER register

The COUNTER increments on LFCLK when the internal PRESCALER register (<<PRESC>>) is 0x00. <<PRESC>> is reloaded from the PRESCALER register. If enabled, the TICK event occurs on each increment of the COUNTER. The TICK event is disabled by default.



**Figure 44: Timing diagram - COUNTER\_PRESCALER\_0**



**Figure 45: Timing diagram - COUNTER\_PRESCALER\_1**

### 25.4 Overflow features

The TRIGOVFLW task sets the COUNTER value to 0xFFFFF0 to allow SW test of the overflow condition. OVRFLW occurs when COUNTER overflows from 0xFFFFF0 to 0.

**Important:** The OVRFLW event is disabled by default.

### 25.5 TICK event

The TICK event enables low power "tick-less" RTOS implementation as it optionally provides a regular interrupt source for a RTOS without the need to use the ARM® SysTick feature.

Using the RTC TICK event rather than the SysTick allows the CPU to be powered down while still keeping RTOS scheduling active.

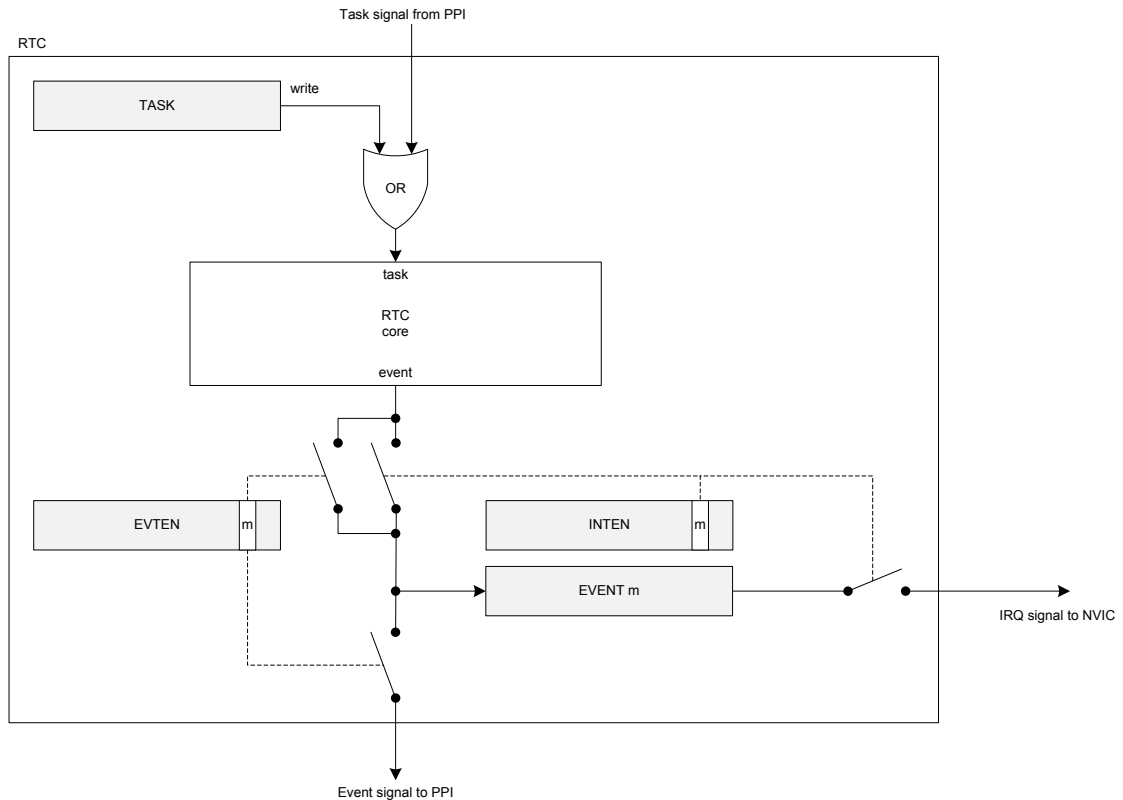
**Important:** The TICK event is disabled by default.

## 25.6 Event control feature

To optimize RTC power consumption, events in the RTC can be individually disabled to prevent PCLK16M and HFCLK being requested when those events are triggered. This is managed using the EVTEN register.

For example, if the TICK event is not required for an application, this event should be disabled as it is frequently occurring and may increase power consumption if HFCLK otherwise could be powered down for long durations.

This means that the RTC implements a slightly different task and event system compared to the standard system described in [Peripheral interface](#) on page 68. The RTC task and event system is illustrated in [Figure 46: Tasks, events and interrupts in the RTC](#) on page 244.



**Figure 46: Tasks, events and interrupts in the RTC**

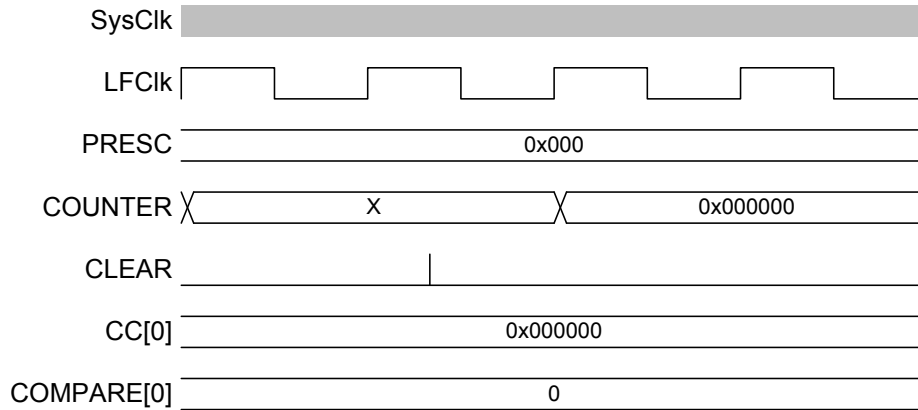
## 25.7 Compare feature

There are a number of Compare registers.

For more information, see [Registers](#) on page 248.

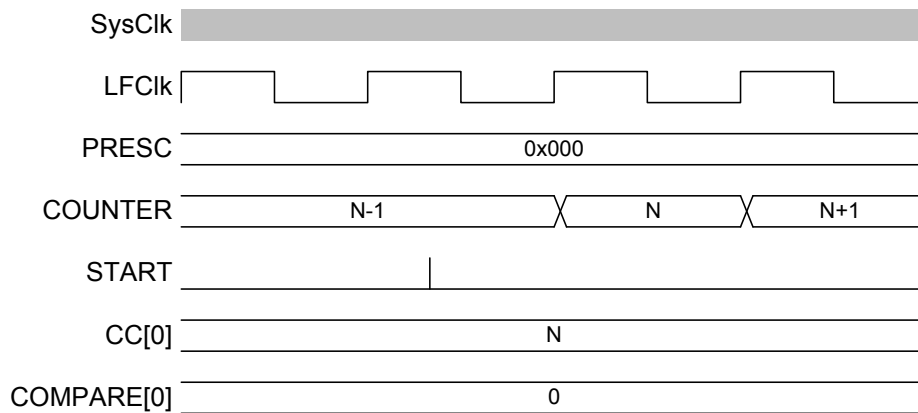
When setting a compare register, the following behavior of the RTC compare event should be noted:

- If a CC register value is 0 when a CLEAR task is set, this will not trigger a COMPARE event.



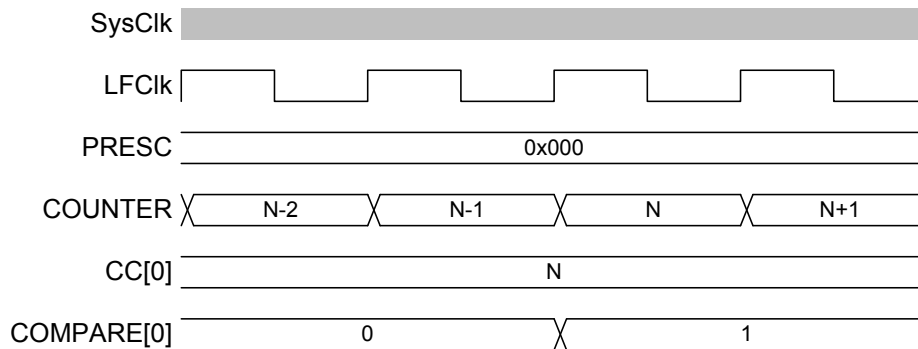
**Figure 47: Timing diagram - COMPARE\_CLEAR**

- If a CC register is N and the COUNTER value is N when the START task is set, this will not trigger a COMPARE event.



**Figure 48: Timing diagram - COMPARE\_START**

- COMPARE occurs when a CC register is N and the COUNTER value transitions from N-1 to N.



**Figure 49: Timing diagram - COMPARE**

- If the COUNTER is N, writing N+2 to a CC register is guaranteed to trigger a COMPARE event at N+2.


**Figure 50: Timing diagram - COMPARE\_N+2**

- If the COUNTER is N, writing N or N+1 to a CC register may not trigger a COMPARE event.


**Figure 51: Timing diagram - COMPARE\_N+1**

- If the COUNTER is N and the current CC register value is N+1 or N+2 when a new CC value is written, a match may trigger on the previous CC value before the new value takes effect. If the current CC value greater than N+2 when the new value is written, there will be no event due to the old value.


**Figure 52: Timing diagram - COMPARE\_N-1**

## 25.8 TASK and EVENT jitter/delay

Jitter or delay in the RTC is due to the peripheral clock being a low frequency clock (LFCLK) which is not synchronous to the faster PCLK16M.

Registers in the peripheral interface, part of the PCLK16M domain, have a set of mirrored registers in the LFCLK domain. For example, the COUNTER value accessible from the CPU is in the PCLK16M domain and is latched on read from an internal register called COUNTER in the LFCLK domain. COUNTER is the register which is actually modified each time the RTC ticks. These registers must be synchronised between clock domains (PCLK16M and LFCLK).

The following is a summary of the jitter introduced on tasks and events. Figures illustrating jitter follow.

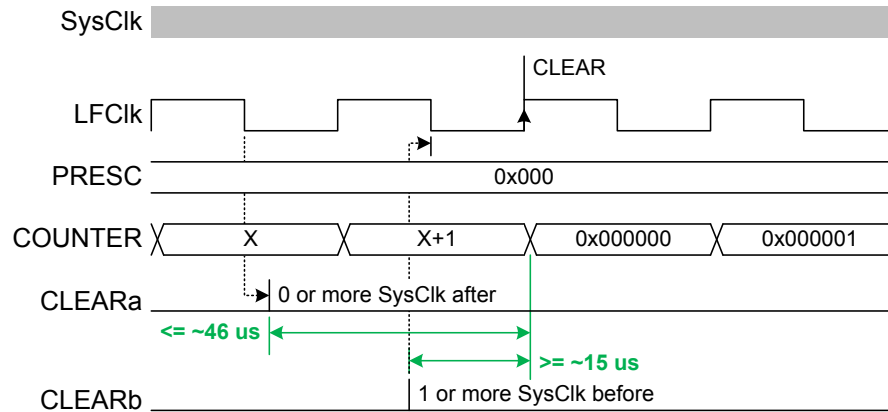
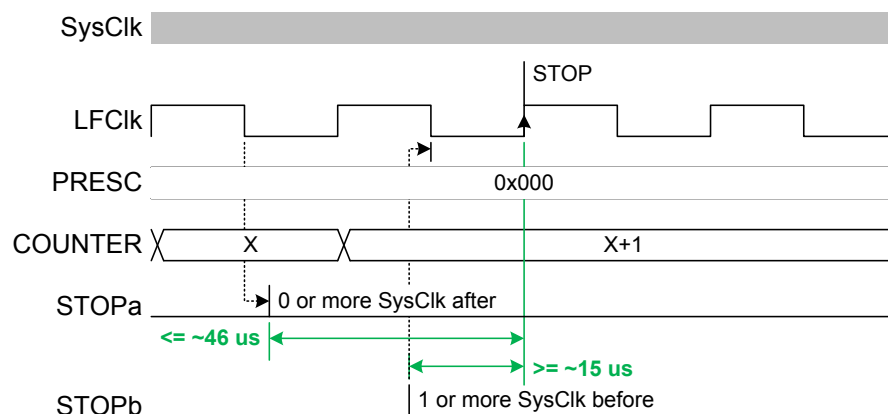
**Table 45: RTC jitter magnitudes on tasks**

| Task                            | Delay             |
|---------------------------------|-------------------|
| CLEAR, STOP, START, TRIGOVRFLOW | +15 to 46 $\mu$ s |

**Table 46: RTC jitter magnitudes on events**

| Operation/Function               | Jitter         |
|----------------------------------|----------------|
| START to COUNTER increment       | +/- 15 $\mu$ s |
| COMPARE to COMPARE <sup>22</sup> | +/- 62.5 ns    |

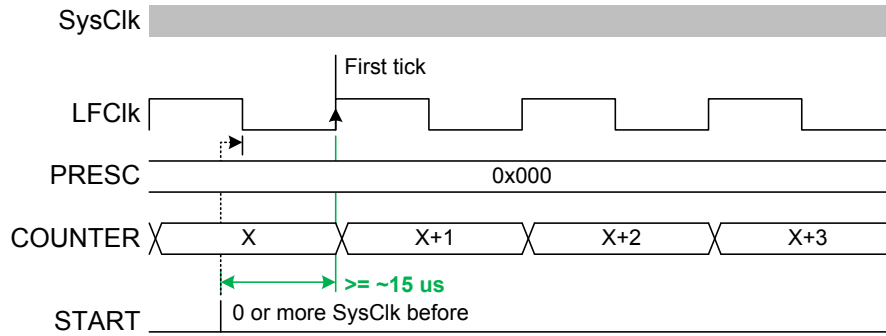
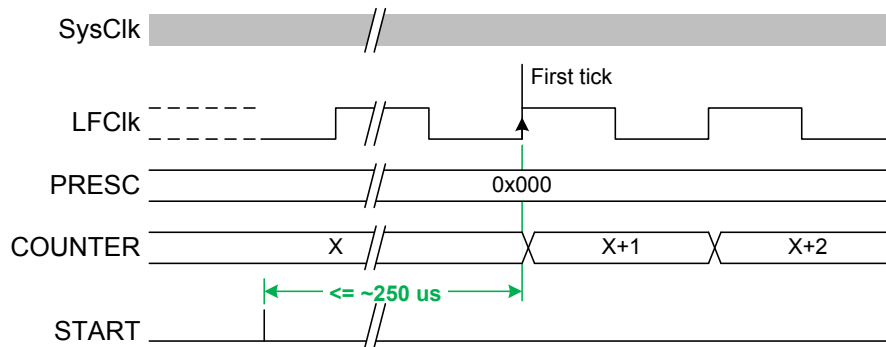
1. CLEAR and STOP (and TRIGOVRFLOW; not shown) will be delayed as long as it takes for the peripheral to clock a falling edge and rising of the LFCLK. This is between 15.2585  $\mu$ s and 45.7755  $\mu$ s – rounded to 15  $\mu$ s and 46  $\mu$ s for the remainder of the section.


**Figure 53: Timing diagram - DELAY\_CLEAR**

**Figure 54: Timing diagram - DELAY\_STOP**

2. The START task will start the RTC. Assuming that the LFCLK was previously running and stable, the first increment of COUNTER (and instance of TICK event) will be typically after 30.5  $\mu$ s +/- 15  $\mu$ s. In some cases, in particular if the RTC is STARTed before the LFCLK is running, that timing can be up to ~250  $\mu$ s. The software should therefore wait for the first TICK if it has to make sure the RTC is running. Sending a TRIGOVRFLOW task sets the COUNTER to a value close to overflow. However, since the update of COUNTER relies on a stable LFCLK, sending this task while LFCLK is not running will start LFCLK, but the update will then be delayed by the same amount of time of up to ~250  $\mu$ s. The figures show the smallest and largest delays to on the START task which appears as a +/- 15  $\mu$ s jitter on the first COUNTER increment.

<sup>22</sup> Assumes RTC runs continuously between these events.

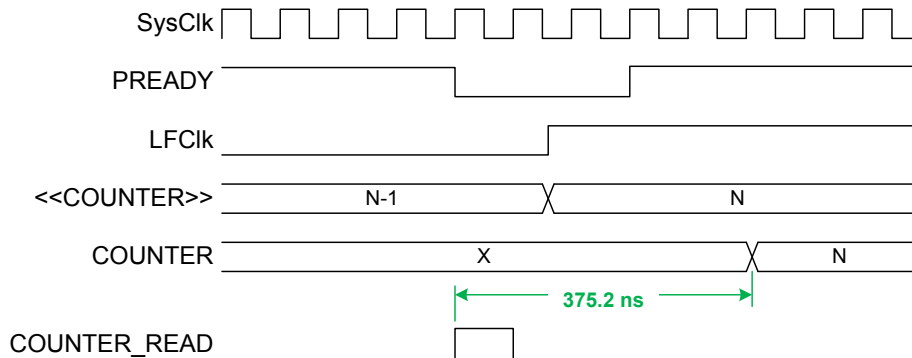
**Note:** 32.768 kHz clock jitter is additional to the numbers provided above.


**Figure 55: Timing diagram - JITTER\_START-**

**Figure 56: Timing diagram - JITTER\_START+**

## 25.9 Reading the COUNTER register

To read the COUNTER register, the internal  $\ll\text{COUNTER}\gg$  value is sampled.

To ensure that the  $\ll\text{COUNTER}\gg$  is safely sampled (considering an LFCLK transition may occur during a read), the CPU and core memory bus are halted for three cycles by lowering the core PREADY signal. The Read takes the CPU 2 cycles in addition resulting in the COUNTER register read taking a fixed five PCLK16M clock cycles.


**Figure 57: Timing diagram - COUNTER\_READ**

## 25.10 Registers

**Table 47: Instances**

| Base address | Peripheral | Instance | Description         | Configuration                               |
|--------------|------------|----------|---------------------|---|
| 0x4000B000   | RTC        | RTC0     | Real-time counter 0 | CC[0..2] implemented, CC[3] not implemented |
| 0x40011000   | RTC        | RTC1     | Real-time counter 1 | CC[0..3] implemented                        |



| Base address | Peripheral | Instance | Description         | Configuration        |
|--------------|------------|----------|---------------------|----------------------|
| 0x40024000   | RTC        | RTC2     | Real-time counter 2 | CC[0..3] implemented |

**Table 48: Register Overview**

| Register          | Offset | Description   |
|-------------------|--------|---|
| TASKS_START       | 0x000  | Start RTC COUNTER   |
| TASKS_STOP        | 0x004  | Stop RTC COUNTER  |
| TASKS_CLEAR       | 0x008  | Clear RTC COUNTER   |
| TASKS_TRIGOVFLW   | 0x00C  | Set COUNTER to 0xFFFFF0   |
| EVENTS_TICK       | 0x100  | Event on COUNTER increment  |
| EVENTS_OVRFLW     | 0x104  | Event on COUNTER overflow   |
| EVENTS_COMPARE[0] | 0x140  | Compare event on CC[0] match  |
| EVENTS_COMPARE[1] | 0x144  | Compare event on CC[1] match  |
| EVENTS_COMPARE[2] | 0x148  | Compare event on CC[2] match  |
| EVENTS_COMPARE[3] | 0x14C  | Compare event on CC[3] match  |
| <i>INTENSET</i>   | 0x304  | Enable interrupt  |
| <i>INTENCLR</i>   | 0x308  | Disable interrupt   |
| <i>EVTEN</i>      | 0x340  | Enable or disable event routing   |
| <i>EVTENSET</i>   | 0x344  | Enable event routing  |
| <i>EVTENCLR</i>   | 0x348  | Disable event routing   |
| <i>COUNTER</i>    | 0x504  | Current COUNTER value   |
| <i>PRESCALER</i>  | 0x508  | 12 bit prescaler for COUNTER frequency (32768/(PRESICALER+1)).Must be written when RTC is stopped |
| <i>CC[0]</i>      | 0x540  | Compare register 0  |
| <i>CC[1]</i>      | 0x544  | Compare register 1  |
| <i>CC[2]</i>      | 0x548  | Compare register 2  |
| <i>CC[3]</i>      | 0x54C  | Compare register 3  |

### 25.10.1 INTENSET

Address offset: 0x304

Enable interrupt

| Bit number       | 31 30 29 28 27 26 25 24 23 22 21 20 19 18 17 16 15 14 13 12 11 10 9 8 7 6 5 4 3 2 1 0 |          |          |       |  |  |  |  |  |  |  |  |  |  |  |  |  |  |  |  |  |  |  |  |  |  |  |  |   |   |   |   |  |  |   |   |
|------------------|---|----------|----------|-------|--|--|--|--|--|--|--|--|--|--|--|--|--|--|--|--|--|--|--|--|--|--|--|--|---|---|---|---|--|--|---|---|
| Id               |   |          |          |       |  |  |  |  |  |  |  |  |  |  |  |  |  |  |  |  |  |  |  |  |  |  |  |  | F | E | D | C |  |  | B | A |
| Reset 0x00000000 | 0             |          |          |       |  |  |  |  |  |  |  |  |  |  |  |  |  |  |  |  |  |  |  |  |  |  |  |  |   |   |   |   |  |  |   |   |
| Id               | RW  | Field    | Value Id | Value | Description  |  |  |  |  |  |  |  |  |  |  |  |  |  |  |  |  |  |  |  |  |  |  |  |   |   |   |   |  |  |   |   |
| A                | RW  | TICK     |          |       | Write '1' to Enable interrupt for TICK event       |  |  |  |  |  |  |  |  |  |  |  |  |  |  |  |  |  |  |  |  |  |  |  |   |   |   |   |  |  |   |   |
|                  |   |          |          |       | See <a href="#">EVENTS_TICK</a>                    |  |  |  |  |  |  |  |  |  |  |  |  |  |  |  |  |  |  |  |  |  |  |  |   |   |   |   |  |  |   |   |
|                  |   |          | Set      | 1     | Enable   |  |  |  |  |  |  |  |  |  |  |  |  |  |  |  |  |  |  |  |  |  |  |  |   |   |   |   |  |  |   |   |
|                  |   |          | Disabled | 0     | Read: Disabled                                     |  |  |  |  |  |  |  |  |  |  |  |  |  |  |  |  |  |  |  |  |  |  |  |   |   |   |   |  |  |   |   |
|                  |   |          | Enabled  | 1     | Read: Enabled                                      |  |  |  |  |  |  |  |  |  |  |  |  |  |  |  |  |  |  |  |  |  |  |  |   |   |   |   |  |  |   |   |
| B                | RW  | OVRFLW   |          |       | Write '1' to Enable interrupt for OVRFLW event     |  |  |  |  |  |  |  |  |  |  |  |  |  |  |  |  |  |  |  |  |  |  |  |   |   |   |   |  |  |   |   |
|                  |   |          |          |       | See <a href="#">EVENTS_OVRFLW</a>                  |  |  |  |  |  |  |  |  |  |  |  |  |  |  |  |  |  |  |  |  |  |  |  |   |   |   |   |  |  |   |   |
|                  |   |          | Set      | 1     | Enable   |  |  |  |  |  |  |  |  |  |  |  |  |  |  |  |  |  |  |  |  |  |  |  |   |   |   |   |  |  |   |   |
|                  |   |          | Disabled | 0     | Read: Disabled                                     |  |  |  |  |  |  |  |  |  |  |  |  |  |  |  |  |  |  |  |  |  |  |  |   |   |   |   |  |  |   |   |
|                  |   |          | Enabled  | 1     | Read: Enabled                                      |  |  |  |  |  |  |  |  |  |  |  |  |  |  |  |  |  |  |  |  |  |  |  |   |   |   |   |  |  |   |   |
| C                | RW  | COMPARE0 |          |       | Write '1' to Enable interrupt for COMPARE[0] event |  |  |  |  |  |  |  |  |  |  |  |  |  |  |  |  |  |  |  |  |  |  |  |   |   |   |   |  |  |   |   |
|                  |   |          |          |       | See <a href="#">EVENTS_COMPARE[0]</a>              |  |  |  |  |  |  |  |  |  |  |  |  |  |  |  |  |  |  |  |  |  |  |  |   |   |   |   |  |  |   |   |
|                  |   |          | Set      | 1     | Enable   |  |  |  |  |  |  |  |  |  |  |  |  |  |  |  |  |  |  |  |  |  |  |  |   |   |   |   |  |  |   |   |
|                  |   |          | Disabled | 0     | Read: Disabled                                     |  |  |  |  |  |  |  |  |  |  |  |  |  |  |  |  |  |  |  |  |  |  |  |   |   |   |   |  |  |   |   |
|                  |   |          | Enabled  | 1     | Read: Enabled                                      |  |  |  |  |  |  |  |  |  |  |  |  |  |  |  |  |  |  |  |  |  |  |  |   |   |   |   |  |  |   |   |
| D                | RW  | COMPARE1 |          |       | Write '1' to Enable interrupt for COMPARE[1] event |  |  |  |  |  |  |  |  |  |  |  |  |  |  |  |  |  |  |  |  |  |  |  |   |   |   |   |  |  |   |   |
|                  |   |          |          |       | See <a href="#">EVENTS_COMPARE[1]</a>              |  |  |  |  |  |  |  |  |  |  |  |  |  |  |  |  |  |  |  |  |  |  |  |   |   |   |   |  |  |   |   |
|                  |   |          | Set      | 1     | Enable   |  |  |  |  |  |  |  |  |  |  |  |  |  |  |  |  |  |  |  |  |  |  |  |   |   |   |   |  |  |   |   |
|                  |   |          | Disabled | 0     | Read: Disabled                                     |  |  |  |  |  |  |  |  |  |  |  |  |  |  |  |  |  |  |  |  |  |  |  |   |   |   |   |  |  |   |   |
|                  |   |          | Enabled  | 1     | Read: Enabled                                      |  |  |  |  |  |  |  |  |  |  |  |  |  |  |  |  |  |  |  |  |  |  |  |   |   |   |   |  |  |   |   |

|                  |    |    |    |    |    |    |    |    |    |    |    |    |    |    |    |    |    |    |    |    |    |    |   |   |   |   |   |   |   |   |   |   |   |
|------------------|----|----|----|----|----|----|----|----|----|----|----|----|----|----|----|----|----|----|----|----|----|----|---|---|---|---|---|---|---|---|---|---|---|
| Bit number       | 31 | 30 | 29 | 28 | 27 | 26 | 25 | 24 | 23 | 22 | 21 | 20 | 19 | 18 | 17 | 16 | 15 | 14 | 13 | 12 | 11 | 10 | 9 | 8 | 7 | 6 | 5 | 4 | 3 | 2 | 1 | 0 |   |
| Id               |    |    |    |    |    |    |    |    |    |    |    |    | F  | E  | D  | C  |    |    |    |    |    |    |   |   |   |   |   |   | B | A |   |   |   |
| Reset 0x00000000 | 0  | 0  | 0  | 0  | 0  | 0  | 0  | 0  | 0  | 0  | 0  | 0  | 0  | 0  | 0  | 0  | 0  | 0  | 0  | 0  | 0  | 0  | 0 | 0 | 0 | 0 | 0 | 0 | 0 | 0 | 0 | 0 | 0 |

| Id | RW | Field    | Value    | Id | Value | Description  |
|----|----|----------|----------|----|-------|--|
| E  | RW | COMPARE2 |          |    |       | Write '1' to Enable interrupt for COMPARE[2] event |
|    |    |          |          |    |       | See <a href="#">EVENTS_COMPARE[2]</a>              |
|    |    |          | Set      | 1  |       | Enable   |
|    |    |          | Disabled | 0  |       | Read: Disabled                                     |
|    |    |          | Enabled  | 1  |       | Read: Enabled                                      |
| F  | RW | COMPARE3 |          |    |       | Write '1' to Enable interrupt for COMPARE[3] event |
|    |    |          |          |    |       | See <a href="#">EVENTS_COMPARE[3]</a>              |
|    |    |          | Set      | 1  |       | Enable   |
|    |    |          | Disabled | 0  |       | Read: Disabled                                     |
|    |    |          | Enabled  | 1  |       | Read: Enabled                                      |

## 25.10.2 INTENCLR

Address offset: 0x308

Disable interrupt

|                  |    |    |    |    |    |    |    |    |    |    |    |    |    |    |    |    |    |    |    |    |    |    |   |   |   |   |   |   |   |   |   |   |
|------------------|----|----|----|----|----|----|----|----|----|----|----|----|----|----|----|----|----|----|----|----|----|----|---|---|---|---|---|---|---|---|---|---|
| Bit number       | 31 | 30 | 29 | 28 | 27 | 26 | 25 | 24 | 23 | 22 | 21 | 20 | 19 | 18 | 17 | 16 | 15 | 14 | 13 | 12 | 11 | 10 | 9 | 8 | 7 | 6 | 5 | 4 | 3 | 2 | 1 | 0 |
| Id               |    |    |    |    |    |    |    |    |    |    |    |    | F  | E  | D  | C  |    |    |    |    |    |    |   |   |   |   |   |   | B | A |   |   |
| Reset 0x00000000 | 0  | 0  | 0  | 0  | 0  | 0  | 0  | 0  | 0  | 0  | 0  | 0  | 0  | 0  | 0  | 0  | 0  | 0  | 0  | 0  | 0  | 0  | 0 | 0 | 0 | 0 | 0 | 0 | 0 | 0 | 0 | 0 |

| Id | RW | Field    | Value    | Id | Value | Description   |
|----|----|----------|----------|----|-------|---|
| A  | RW | TICK     |          |    |       | Write '1' to Disable interrupt for TICK event       |
|    |    |          |          |    |       | See <a href="#">EVENTS_TICK</a>                     |
|    |    |          | Clear    | 1  |       | Disable   |
|    |    |          | Disabled | 0  |       | Read: Disabled                                      |
|    |    |          | Enabled  | 1  |       | Read: Enabled                                       |
| B  | RW | OVRFLW   |          |    |       | Write '1' to Disable interrupt for OVRFLW event     |
|    |    |          |          |    |       | See <a href="#">EVENTS_OVRFLW</a>                   |
|    |    |          | Clear    | 1  |       | Disable   |
|    |    |          | Disabled | 0  |       | Read: Disabled                                      |
|    |    |          | Enabled  | 1  |       | Read: Enabled                                       |
| C  | RW | COMPARE0 |          |    |       | Write '1' to Disable interrupt for COMPARE[0] event |
|    |    |          |          |    |       | See <a href="#">EVENTS_COMPARE[0]</a>               |
|    |    |          | Clear    | 1  |       | Disable   |
|    |    |          | Disabled | 0  |       | Read: Disabled                                      |
|    |    |          | Enabled  | 1  |       | Read: Enabled                                       |
| D  | RW | COMPARE1 |          |    |       | Write '1' to Disable interrupt for COMPARE[1] event |
|    |    |          |          |    |       | See <a href="#">EVENTS_COMPARE[1]</a>               |
|    |    |          | Clear    | 1  |       | Disable   |
|    |    |          | Disabled | 0  |       | Read: Disabled                                      |
|    |    |          | Enabled  | 1  |       | Read: Enabled                                       |
| E  | RW | COMPARE2 |          |    |       | Write '1' to Disable interrupt for COMPARE[2] event |
|    |    |          |          |    |       | See <a href="#">EVENTS_COMPARE[2]</a>               |
|    |    |          | Clear    | 1  |       | Disable   |
|    |    |          | Disabled | 0  |       | Read: Disabled                                      |
|    |    |          | Enabled  | 1  |       | Read: Enabled                                       |
| F  | RW | COMPARE3 |          |    |       | Write '1' to Disable interrupt for COMPARE[3] event |
|    |    |          |          |    |       | See <a href="#">EVENTS_COMPARE[3]</a>               |
|    |    |          | Clear    | 1  |       | Disable   |
|    |    |          | Disabled | 0  |       | Read: Disabled                                      |
|    |    |          | Enabled  | 1  |       | Read: Enabled                                       |

### 25.10.3 EVTEN

Address offset: 0x340

Enable or disable event routing

| Bit number       | 31 30 29 28 27 26 25 24 23 22 21 20 19 18 17 16 15 14 13 12 11 10 9 8 7 6 5 4 3 2 1 0 |          |          |    |       |  |  |  |  |  |  |  |  |  |  |  |  |  |  |  |  |  |  |  |  |  |  |  |   |   |   |   |  |  |   |   |
|------------------|---|----------|----------|----|-------|--|--|--|--|--|--|--|--|--|--|--|--|--|--|--|--|--|--|--|--|--|--|--|---|---|---|---|--|--|---|---|
| Id               |   |          |          |    |       |  |  |  |  |  |  |  |  |  |  |  |  |  |  |  |  |  |  |  |  |  |  |  | F | E | D | C |  |  | B | A |
| Reset 0x00000000 | 0             |          |          |    |       |  |  |  |  |  |  |  |  |  |  |  |  |  |  |  |  |  |  |  |  |  |  |  |   |   |   |   |  |  |   |   |
| Id               | RW  | Field    | Value    | Id | Value | Description  |  |  |  |  |  |  |  |  |  |  |  |  |  |  |  |  |  |  |  |  |  |  |   |   |   |   |  |  |   |   |
| A                | RW  | TICK     |          |    |       | Enable or disable event routing for TICK event       |  |  |  |  |  |  |  |  |  |  |  |  |  |  |  |  |  |  |  |  |  |  |   |   |   |   |  |  |   |   |
|                  |   |          |          |    |       | See <a href="#">EVENTS_TICK</a>                      |  |  |  |  |  |  |  |  |  |  |  |  |  |  |  |  |  |  |  |  |  |  |   |   |   |   |  |  |   |   |
|                  |   |          | Disabled |    | 0     | Disable  |  |  |  |  |  |  |  |  |  |  |  |  |  |  |  |  |  |  |  |  |  |  |   |   |   |   |  |  |   |   |
|                  |   |          | Enabled  |    | 1     | Enable   |  |  |  |  |  |  |  |  |  |  |  |  |  |  |  |  |  |  |  |  |  |  |   |   |   |   |  |  |   |   |
| B                | RW  | OVRFLW   |          |    |       | Enable or disable event routing for OVRFLW event     |  |  |  |  |  |  |  |  |  |  |  |  |  |  |  |  |  |  |  |  |  |  |   |   |   |   |  |  |   |   |
|                  |   |          |          |    |       | See <a href="#">EVENTS_OVRFLW</a>                    |  |  |  |  |  |  |  |  |  |  |  |  |  |  |  |  |  |  |  |  |  |  |   |   |   |   |  |  |   |   |
|                  |   |          | Disabled |    | 0     | Disable  |  |  |  |  |  |  |  |  |  |  |  |  |  |  |  |  |  |  |  |  |  |  |   |   |   |   |  |  |   |   |
|                  |   |          | Enabled  |    | 1     | Enable   |  |  |  |  |  |  |  |  |  |  |  |  |  |  |  |  |  |  |  |  |  |  |   |   |   |   |  |  |   |   |
| C                | RW  | COMPARE0 |          |    |       | Enable or disable event routing for COMPARE[0] event |  |  |  |  |  |  |  |  |  |  |  |  |  |  |  |  |  |  |  |  |  |  |   |   |   |   |  |  |   |   |
|                  |   |          |          |    |       | See <a href="#">EVENTS_COMPARE[0]</a>                |  |  |  |  |  |  |  |  |  |  |  |  |  |  |  |  |  |  |  |  |  |  |   |   |   |   |  |  |   |   |
|                  |   |          | Disabled |    | 0     | Disable  |  |  |  |  |  |  |  |  |  |  |  |  |  |  |  |  |  |  |  |  |  |  |   |   |   |   |  |  |   |   |
|                  |   |          | Enabled  |    | 1     | Enable   |  |  |  |  |  |  |  |  |  |  |  |  |  |  |  |  |  |  |  |  |  |  |   |   |   |   |  |  |   |   |
| D                | RW  | COMPARE1 |          |    |       | Enable or disable event routing for COMPARE[1] event |  |  |  |  |  |  |  |  |  |  |  |  |  |  |  |  |  |  |  |  |  |  |   |   |   |   |  |  |   |   |
|                  |   |          |          |    |       | See <a href="#">EVENTS_COMPARE[1]</a>                |  |  |  |  |  |  |  |  |  |  |  |  |  |  |  |  |  |  |  |  |  |  |   |   |   |   |  |  |   |   |
|                  |   |          | Disabled |    | 0     | Disable  |  |  |  |  |  |  |  |  |  |  |  |  |  |  |  |  |  |  |  |  |  |  |   |   |   |   |  |  |   |   |
|                  |   |          | Enabled  |    | 1     | Enable   |  |  |  |  |  |  |  |  |  |  |  |  |  |  |  |  |  |  |  |  |  |  |   |   |   |   |  |  |   |   |
| E                | RW  | COMPARE2 |          |    |       | Enable or disable event routing for COMPARE[2] event |  |  |  |  |  |  |  |  |  |  |  |  |  |  |  |  |  |  |  |  |  |  |   |   |   |   |  |  |   |   |
|                  |   |          |          |    |       | See <a href="#">EVENTS_COMPARE[2]</a>                |  |  |  |  |  |  |  |  |  |  |  |  |  |  |  |  |  |  |  |  |  |  |   |   |   |   |  |  |   |   |
|                  |   |          | Disabled |    | 0     | Disable  |  |  |  |  |  |  |  |  |  |  |  |  |  |  |  |  |  |  |  |  |  |  |   |   |   |   |  |  |   |   |
|                  |   |          | Enabled  |    | 1     | Enable   |  |  |  |  |  |  |  |  |  |  |  |  |  |  |  |  |  |  |  |  |  |  |   |   |   |   |  |  |   |   |
| F                | RW  | COMPARE3 |          |    |       | Enable or disable event routing for COMPARE[3] event |  |  |  |  |  |  |  |  |  |  |  |  |  |  |  |  |  |  |  |  |  |  |   |   |   |   |  |  |   |   |
|                  |   |          |          |    |       | See <a href="#">EVENTS_COMPARE[3]</a>                |  |  |  |  |  |  |  |  |  |  |  |  |  |  |  |  |  |  |  |  |  |  |   |   |   |   |  |  |   |   |
|                  |   |          | Disabled |    | 0     | Disable  |  |  |  |  |  |  |  |  |  |  |  |  |  |  |  |  |  |  |  |  |  |  |   |   |   |   |  |  |   |   |
|                  |   |          | Enabled  |    | 1     | Enable   |  |  |  |  |  |  |  |  |  |  |  |  |  |  |  |  |  |  |  |  |  |  |   |   |   |   |  |  |   |   |

### 25.10.4 EVTENSET

Address offset: 0x344

Enable event routing

| Bit number       | 31 30 29 28 27 26 25 24 23 22 21 20 19 18 17 16 15 14 13 12 11 10 9 8 7 6 5 4 3 2 1 0 |          |          |    |       |  |  |  |  |  |  |  |  |  |  |  |  |  |  |  |  |  |  |  |  |  |  |  |   |   |   |   |  |  |   |   |
|------------------|---|----------|----------|----|-------|--|--|--|--|--|--|--|--|--|--|--|--|--|--|--|--|--|--|--|--|--|--|--|---|---|---|---|--|--|---|---|
| Id               |   |          |          |    |       |  |  |  |  |  |  |  |  |  |  |  |  |  |  |  |  |  |  |  |  |  |  |  | F | E | D | C |  |  | B | A |
| Reset 0x00000000 | 0             |          |          |    |       |  |  |  |  |  |  |  |  |  |  |  |  |  |  |  |  |  |  |  |  |  |  |  |   |   |   |   |  |  |   |   |
| Id               | RW  | Field    | Value    | Id | Value | Description  |  |  |  |  |  |  |  |  |  |  |  |  |  |  |  |  |  |  |  |  |  |  |   |   |   |   |  |  |   |   |
| A                | RW  | TICK     |          |    |       | Write '1' to Enable event routing for TICK event       |  |  |  |  |  |  |  |  |  |  |  |  |  |  |  |  |  |  |  |  |  |  |   |   |   |   |  |  |   |   |
|                  |   |          |          |    |       | See <a href="#">EVENTS_TICK</a>                        |  |  |  |  |  |  |  |  |  |  |  |  |  |  |  |  |  |  |  |  |  |  |   |   |   |   |  |  |   |   |
|                  |   |          | Set      |    | 1     | Enable   |  |  |  |  |  |  |  |  |  |  |  |  |  |  |  |  |  |  |  |  |  |  |   |   |   |   |  |  |   |   |
|                  |   |          | Disabled |    | 0     | Read: Disabled   |  |  |  |  |  |  |  |  |  |  |  |  |  |  |  |  |  |  |  |  |  |  |   |   |   |   |  |  |   |   |
|                  |   |          | Enabled  |    | 1     | Read: Enabled  |  |  |  |  |  |  |  |  |  |  |  |  |  |  |  |  |  |  |  |  |  |  |   |   |   |   |  |  |   |   |
| B                | RW  | OVRFLW   |          |    |       | Write '1' to Enable event routing for OVRFLW event     |  |  |  |  |  |  |  |  |  |  |  |  |  |  |  |  |  |  |  |  |  |  |   |   |   |   |  |  |   |   |
|                  |   |          |          |    |       | See <a href="#">EVENTS_OVRFLW</a>                      |  |  |  |  |  |  |  |  |  |  |  |  |  |  |  |  |  |  |  |  |  |  |   |   |   |   |  |  |   |   |
|                  |   |          | Set      |    | 1     | Enable   |  |  |  |  |  |  |  |  |  |  |  |  |  |  |  |  |  |  |  |  |  |  |   |   |   |   |  |  |   |   |
|                  |   |          | Disabled |    | 0     | Read: Disabled   |  |  |  |  |  |  |  |  |  |  |  |  |  |  |  |  |  |  |  |  |  |  |   |   |   |   |  |  |   |   |
|                  |   |          | Enabled  |    | 1     | Read: Enabled  |  |  |  |  |  |  |  |  |  |  |  |  |  |  |  |  |  |  |  |  |  |  |   |   |   |   |  |  |   |   |
| C                | RW  | COMPARE0 |          |    |       | Write '1' to Enable event routing for COMPARE[0] event |  |  |  |  |  |  |  |  |  |  |  |  |  |  |  |  |  |  |  |  |  |  |   |   |   |   |  |  |   |   |
|                  |   |          |          |    |       | See <a href="#">EVENTS_COMPARE[0]</a>                  |  |  |  |  |  |  |  |  |  |  |  |  |  |  |  |  |  |  |  |  |  |  |   |   |   |   |  |  |   |   |
|                  |   |          | Set      |    | 1     | Enable   |  |  |  |  |  |  |  |  |  |  |  |  |  |  |  |  |  |  |  |  |  |  |   |   |   |   |  |  |   |   |

| Bit number       | 31 30 29 28 27 26 25 24 23 22 21 20 19 18 17 16 15 14 13 12 11 10 9 8 7 6 5 4 3 2 1 0 |          |          |    |       |  |  |  |  |  |  |  |  |  |  |  |  |  |  |  |  |  |  |  |  |  |  |  |   |   |   |   |  |  |   |   |
|------------------|---|----------|----------|----|-------|--|--|--|--|--|--|--|--|--|--|--|--|--|--|--|--|--|--|--|--|--|--|--|---|---|---|---|--|--|---|---|
| Id               |   |          |          |    |       |  |  |  |  |  |  |  |  |  |  |  |  |  |  |  |  |  |  |  |  |  |  |  | F | E | D | C |  |  | B | A |
| Reset 0x00000000 | 0             |          |          |    |       |  |  |  |  |  |  |  |  |  |  |  |  |  |  |  |  |  |  |  |  |  |  |  |   |   |   |   |  |  |   |   |
| Id               | RW  | Field    | Value    | Id | Value | Description  |  |  |  |  |  |  |  |  |  |  |  |  |  |  |  |  |  |  |  |  |  |  |   |   |   |   |  |  |   |   |
|                  |   |          | Disabled | 0  | 0     | Read: Disabled   |  |  |  |  |  |  |  |  |  |  |  |  |  |  |  |  |  |  |  |  |  |  |   |   |   |   |  |  |   |   |
|                  |   |          | Enabled  | 1  | 1     | Read: Enabled  |  |  |  |  |  |  |  |  |  |  |  |  |  |  |  |  |  |  |  |  |  |  |   |   |   |   |  |  |   |   |
| D                | RW  | COMPARE1 |          |    |       | Write '1' to Enable event routing for COMPARE[1] event |  |  |  |  |  |  |  |  |  |  |  |  |  |  |  |  |  |  |  |  |  |  |   |   |   |   |  |  |   |   |
|                  |   |          |          |    |       | See <a href="#">EVENTS_COMPARE[1]</a>                  |  |  |  |  |  |  |  |  |  |  |  |  |  |  |  |  |  |  |  |  |  |  |   |   |   |   |  |  |   |   |
|                  |   |          | Set      | 1  | 1     | Enable   |  |  |  |  |  |  |  |  |  |  |  |  |  |  |  |  |  |  |  |  |  |  |   |   |   |   |  |  |   |   |
|                  |   |          | Disabled | 0  | 0     | Read: Disabled   |  |  |  |  |  |  |  |  |  |  |  |  |  |  |  |  |  |  |  |  |  |  |   |   |   |   |  |  |   |   |
|                  |   |          | Enabled  | 1  | 1     | Read: Enabled  |  |  |  |  |  |  |  |  |  |  |  |  |  |  |  |  |  |  |  |  |  |  |   |   |   |   |  |  |   |   |
| E                | RW  | COMPARE2 |          |    |       | Write '1' to Enable event routing for COMPARE[2] event |  |  |  |  |  |  |  |  |  |  |  |  |  |  |  |  |  |  |  |  |  |  |   |   |   |   |  |  |   |   |
|                  |   |          |          |    |       | See <a href="#">EVENTS_COMPARE[2]</a>                  |  |  |  |  |  |  |  |  |  |  |  |  |  |  |  |  |  |  |  |  |  |  |   |   |   |   |  |  |   |   |
|                  |   |          | Set      | 1  | 1     | Enable   |  |  |  |  |  |  |  |  |  |  |  |  |  |  |  |  |  |  |  |  |  |  |   |   |   |   |  |  |   |   |
|                  |   |          | Disabled | 0  | 0     | Read: Disabled   |  |  |  |  |  |  |  |  |  |  |  |  |  |  |  |  |  |  |  |  |  |  |   |   |   |   |  |  |   |   |
|                  |   |          | Enabled  | 1  | 1     | Read: Enabled  |  |  |  |  |  |  |  |  |  |  |  |  |  |  |  |  |  |  |  |  |  |  |   |   |   |   |  |  |   |   |
| F                | RW  | COMPARE3 |          |    |       | Write '1' to Enable event routing for COMPARE[3] event |  |  |  |  |  |  |  |  |  |  |  |  |  |  |  |  |  |  |  |  |  |  |   |   |   |   |  |  |   |   |
|                  |   |          |          |    |       | See <a href="#">EVENTS_COMPARE[3]</a>                  |  |  |  |  |  |  |  |  |  |  |  |  |  |  |  |  |  |  |  |  |  |  |   |   |   |   |  |  |   |   |
|                  |   |          | Set      | 1  | 1     | Enable   |  |  |  |  |  |  |  |  |  |  |  |  |  |  |  |  |  |  |  |  |  |  |   |   |   |   |  |  |   |   |
|                  |   |          | Disabled | 0  | 0     | Read: Disabled   |  |  |  |  |  |  |  |  |  |  |  |  |  |  |  |  |  |  |  |  |  |  |   |   |   |   |  |  |   |   |
|                  |   |          | Enabled  | 1  | 1     | Read: Enabled  |  |  |  |  |  |  |  |  |  |  |  |  |  |  |  |  |  |  |  |  |  |  |   |   |   |   |  |  |   |   |

### 25.10.5 EVTENCLR

Address offset: 0x348

Disable event routing

| Bit number       | 31 30 29 28 27 26 25 24 23 22 21 20 19 18 17 16 15 14 13 12 11 10 9 8 7 6 5 4 3 2 1 0 |          |          |    |       |   |  |  |  |  |  |  |  |  |  |  |  |  |  |  |  |  |  |  |  |  |  |  |   |   |   |   |  |  |   |   |
|------------------|---|----------|----------|----|-------|---|--|--|--|--|--|--|--|--|--|--|--|--|--|--|--|--|--|--|--|--|--|--|---|---|---|---|--|--|---|---|
| Id               |   |          |          |    |       |   |  |  |  |  |  |  |  |  |  |  |  |  |  |  |  |  |  |  |  |  |  |  | F | E | D | C |  |  | B | A |
| Reset 0x00000000 | 0             |          |          |    |       |   |  |  |  |  |  |  |  |  |  |  |  |  |  |  |  |  |  |  |  |  |  |  |   |   |   |   |  |  |   |   |
| Id               | RW  | Field    | Value    | Id | Value | Description   |  |  |  |  |  |  |  |  |  |  |  |  |  |  |  |  |  |  |  |  |  |  |   |   |   |   |  |  |   |   |
| A                | RW  | TICK     |          |    |       | Write '1' to Disable event routing for TICK event       |  |  |  |  |  |  |  |  |  |  |  |  |  |  |  |  |  |  |  |  |  |  |   |   |   |   |  |  |   |   |
|                  |   |          |          |    |       | See <a href="#">EVENTS_TICK</a>                         |  |  |  |  |  |  |  |  |  |  |  |  |  |  |  |  |  |  |  |  |  |  |   |   |   |   |  |  |   |   |
|                  |   |          | Clear    | 1  | 1     | Disable   |  |  |  |  |  |  |  |  |  |  |  |  |  |  |  |  |  |  |  |  |  |  |   |   |   |   |  |  |   |   |
|                  |   |          | Disabled | 0  | 0     | Read: Disabled  |  |  |  |  |  |  |  |  |  |  |  |  |  |  |  |  |  |  |  |  |  |  |   |   |   |   |  |  |   |   |
|                  |   |          | Enabled  | 1  | 1     | Read: Enabled   |  |  |  |  |  |  |  |  |  |  |  |  |  |  |  |  |  |  |  |  |  |  |   |   |   |   |  |  |   |   |
| B                | RW  | OVRFLW   |          |    |       | Write '1' to Disable event routing for OVRFLW event     |  |  |  |  |  |  |  |  |  |  |  |  |  |  |  |  |  |  |  |  |  |  |   |   |   |   |  |  |   |   |
|                  |   |          |          |    |       | See <a href="#">EVENTS_OVRFLW</a>                       |  |  |  |  |  |  |  |  |  |  |  |  |  |  |  |  |  |  |  |  |  |  |   |   |   |   |  |  |   |   |
|                  |   |          | Clear    | 1  | 1     | Disable   |  |  |  |  |  |  |  |  |  |  |  |  |  |  |  |  |  |  |  |  |  |  |   |   |   |   |  |  |   |   |
|                  |   |          | Disabled | 0  | 0     | Read: Disabled  |  |  |  |  |  |  |  |  |  |  |  |  |  |  |  |  |  |  |  |  |  |  |   |   |   |   |  |  |   |   |
|                  |   |          | Enabled  | 1  | 1     | Read: Enabled   |  |  |  |  |  |  |  |  |  |  |  |  |  |  |  |  |  |  |  |  |  |  |   |   |   |   |  |  |   |   |
| C                | RW  | COMPARE0 |          |    |       | Write '1' to Disable event routing for COMPARE[0] event |  |  |  |  |  |  |  |  |  |  |  |  |  |  |  |  |  |  |  |  |  |  |   |   |   |   |  |  |   |   |
|                  |   |          |          |    |       | See <a href="#">EVENTS_COMPARE[0]</a>                   |  |  |  |  |  |  |  |  |  |  |  |  |  |  |  |  |  |  |  |  |  |  |   |   |   |   |  |  |   |   |
|                  |   |          | Clear    | 1  | 1     | Disable   |  |  |  |  |  |  |  |  |  |  |  |  |  |  |  |  |  |  |  |  |  |  |   |   |   |   |  |  |   |   |
|                  |   |          | Disabled | 0  | 0     | Read: Disabled  |  |  |  |  |  |  |  |  |  |  |  |  |  |  |  |  |  |  |  |  |  |  |   |   |   |   |  |  |   |   |
|                  |   |          | Enabled  | 1  | 1     | Read: Enabled   |  |  |  |  |  |  |  |  |  |  |  |  |  |  |  |  |  |  |  |  |  |  |   |   |   |   |  |  |   |   |
| D                | RW  | COMPARE1 |          |    |       | Write '1' to Disable event routing for COMPARE[1] event |  |  |  |  |  |  |  |  |  |  |  |  |  |  |  |  |  |  |  |  |  |  |   |   |   |   |  |  |   |   |
|                  |   |          |          |    |       | See <a href="#">EVENTS_COMPARE[1]</a>                   |  |  |  |  |  |  |  |  |  |  |  |  |  |  |  |  |  |  |  |  |  |  |   |   |   |   |  |  |   |   |
|                  |   |          | Clear    | 1  | 1     | Disable   |  |  |  |  |  |  |  |  |  |  |  |  |  |  |  |  |  |  |  |  |  |  |   |   |   |   |  |  |   |   |
|                  |   |          | Disabled | 0  | 0     | Read: Disabled  |  |  |  |  |  |  |  |  |  |  |  |  |  |  |  |  |  |  |  |  |  |  |   |   |   |   |  |  |   |   |
|                  |   |          | Enabled  | 1  | 1     | Read: Enabled   |  |  |  |  |  |  |  |  |  |  |  |  |  |  |  |  |  |  |  |  |  |  |   |   |   |   |  |  |   |   |
| E                | RW  | COMPARE2 |          |    |       | Write '1' to Disable event routing for COMPARE[2] event |  |  |  |  |  |  |  |  |  |  |  |  |  |  |  |  |  |  |  |  |  |  |   |   |   |   |  |  |   |   |
|                  |   |          |          |    |       | See <a href="#">EVENTS_COMPARE[2]</a>                   |  |  |  |  |  |  |  |  |  |  |  |  |  |  |  |  |  |  |  |  |  |  |   |   |   |   |  |  |   |   |
|                  |   |          | Clear    | 1  | 1     | Disable   |  |  |  |  |  |  |  |  |  |  |  |  |  |  |  |  |  |  |  |  |  |  |   |   |   |   |  |  |   |   |
|                  |   |          | Disabled | 0  | 0     | Read: Disabled  |  |  |  |  |  |  |  |  |  |  |  |  |  |  |  |  |  |  |  |  |  |  |   |   |   |   |  |  |   |   |
|                  |   |          | Enabled  | 1  | 1     | Read: Enabled   |  |  |  |  |  |  |  |  |  |  |  |  |  |  |  |  |  |  |  |  |  |  |   |   |   |   |  |  |   |   |



|                  |           |              |                 |              |    |    |    |    |    |    |    |    |    |    |    |    |    |                    |    |    |    |    |   |   |   |   |   |   |   |   |   |   |   |   |   |   |   |   |   |   |   |   |   |   |   |   |   |   |   |
|------------------|-----------|--------------|-----------------|--------------|----|----|----|----|----|----|----|----|----|----|----|----|----|--------------------|----|----|----|----|---|---|---|---|---|---|---|---|---|---|---|---|---|---|---|---|---|---|---|---|---|---|---|---|---|---|---|
| Bit number       | 31        | 30           | 29              | 28           | 27 | 26 | 25 | 24 | 23 | 22 | 21 | 20 | 19 | 18 | 17 | 16 | 15 | 14                 | 13 | 12 | 11 | 10 | 9 | 8 | 7 | 6 | 5 | 4 | 3 | 2 | 1 | 0 |   |   |   |   |   |   |   |   |   |   |   |   |   |   |   |   |   |
| Id               |           |              |                 |              |    |    |    |    |    |    |    |    |    |    |    |    |    | A                  | A  | A  | A  | A  | A | A | A | A | A | A | A | A | A | A | A | A | A | A | A | A | A | A | A | A | A | A | A | A | A | A | A |
| Reset 0x00000000 | 0         | 0            | 0               | 0            | 0  | 0  | 0  | 0  | 0  | 0  | 0  | 0  | 0  | 0  | 0  | 0  | 0  | 0                  | 0  | 0  | 0  | 0  | 0 | 0 | 0 | 0 | 0 | 0 | 0 | 0 | 0 | 0 | 0 | 0 | 0 |   |   |   |   |   |   |   |   |   |   |   |   |   |   |
| <b>Id</b>        | <b>RW</b> | <b>Field</b> | <b>Value Id</b> | <b>Value</b> |    |    |    |    |    |    |    |    |    |    |    |    |    | <b>Description</b> |    |    |    |    |   |   |   |   |   |   |   |   |   |   |   |   |   |   |   |   |   |   |   |   |   |   |   |   |   |   |   |
| A                | RW        | COMPARE      |                 |              |    |    |    |    |    |    |    |    |    |    |    |    |    | Compare value      |    |    |    |    |   |   |   |   |   |   |   |   |   |   |   |   |   |   |   |   |   |   |   |   |   |   |   |   |   |   |   |

### 25.10.11 CC[3]

Address offset: 0x54C

Compare register 3

|                  |           |              |                 |              |    |    |    |    |    |    |    |    |    |    |    |    |    |                    |    |    |    |    |   |   |   |   |   |   |   |   |   |   |   |   |   |   |   |   |   |   |   |   |   |   |   |   |   |   |
|------------------|-----------|--------------|-----------------|--------------|----|----|----|----|----|----|----|----|----|----|----|----|----|--------------------|----|----|----|----|---|---|---|---|---|---|---|---|---|---|---|---|---|---|---|---|---|---|---|---|---|---|---|---|---|---|
| Bit number       | 31        | 30           | 29              | 28           | 27 | 26 | 25 | 24 | 23 | 22 | 21 | 20 | 19 | 18 | 17 | 16 | 15 | 14                 | 13 | 12 | 11 | 10 | 9 | 8 | 7 | 6 | 5 | 4 | 3 | 2 | 1 | 0 |   |   |   |   |   |   |   |   |   |   |   |   |   |   |   |   |
| Id               |           |              |                 |              |    |    |    |    |    |    |    |    |    |    |    |    |    | A                  | A  | A  | A  | A  | A | A | A | A | A | A | A | A | A | A | A | A | A | A | A | A | A | A | A | A | A | A | A | A | A | A |
| Reset 0x00000000 | 0         | 0            | 0               | 0            | 0  | 0  | 0  | 0  | 0  | 0  | 0  | 0  | 0  | 0  | 0  | 0  | 0  | 0                  | 0  | 0  | 0  | 0  | 0 | 0 | 0 | 0 | 0 | 0 | 0 | 0 | 0 | 0 | 0 | 0 |   |   |   |   |   |   |   |   |   |   |   |   |   |   |
| <b>Id</b>        | <b>RW</b> | <b>Field</b> | <b>Value Id</b> | <b>Value</b> |    |    |    |    |    |    |    |    |    |    |    |    |    | <b>Description</b> |    |    |    |    |   |   |   |   |   |   |   |   |   |   |   |   |   |   |   |   |   |   |   |   |   |   |   |   |   |   |
| A                | RW        | COMPARE      |                 |              |    |    |    |    |    |    |    |    |    |    |    |    |    | Compare value      |    |    |    |    |   |   |   |   |   |   |   |   |   |   |   |   |   |   |   |   |   |   |   |   |   |   |   |   |   |   |

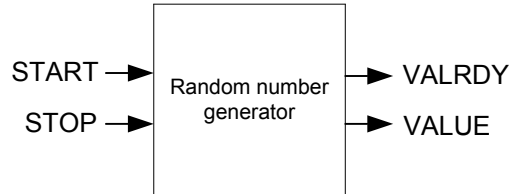
## 25.11 Electrical specification

### 25.11.1 RTC Electrical Specification

| Symbol           | Description                                  | Min. | Typ. | Max. | Units |
|------------------|--|------|------|------|-------|
| I <sub>RTC</sub> | Run current Real Time Counter (LFCLK source) |      | 0.1  |      | μA    |

## 26 RNG — Random number generator

The Random number generator (RNG) generates true non-deterministic random numbers based on internal thermal noise that are suitable for cryptographic purposes. The RNG does not require a seed value.



**Figure 58: Random number generator**

The RNG is started by triggering the START task and stopped by triggering the STOP task. When started, new random numbers are generated continuously and written to the VALUE register when ready. A VALRDY event is generated for every new random number that is written to the VALUE register. This means that after a VALRDY event is generated the CPU has the time until the next VALRDY event to read out the random number from the VALUE register before it is overwritten by a new random number.

### 26.1 Bias correction

A bias correction algorithm is employed on the internal bit stream to remove any bias toward '1' or '0'. The bits are then queued into an eight-bit register for parallel readout from the VALUE register.

It is possible to enable bias correction in the CONFIG register. This will result in slower value generation, but will ensure a statistically uniform distribution of the random values.

### 26.2 Speed

The time needed to generate one random byte of data is unpredictable, and may vary from one byte to the next. This is especially true when bias correction is enabled.

### 26.3 Registers

**Table 49: Instances**

| Base address | Peripheral | Instance | Description             | Configuration |
|--------------|------------|----------|-------------------------|---------------|
| 0x400D000    | RNG        | RNG      | Random number generator |               |

**Table 50: Register Overview**

| Register      | Offset | Description   |
|---------------|--------|---|
| TASKS_START   | 0x000  | Task starting the random number generator                                       |
| TASKS_STOP    | 0x004  | Task stopping the random number generator                                       |
| EVENTS_VALRDY | 0x100  | Event being generated for every new random number written to the VALUE register |
| SHORTS        | 0x200  | Shortcut register   |
| INTENSET      | 0x304  | Enable interrupt  |
| INTENCLR      | 0x308  | Disable interrupt   |
| CONFIG        | 0x504  | Configuration register  |
| VALUE         | 0x508  | Output random number  |

#### 26.3.1 SHORTS

Address offset: 0x200

Shortcut register

| Bit number       | 31 | 30          | 29       | 28 | 27    | 26  | 25 | 24 | 23 | 22 | 21 | 20 | 19 | 18 | 17 | 16 | 15 | 14 | 13 | 12 | 11 | 10 | 9 | 8 | 7 | 6 | 5 | 4 | 3 | 2 | 1 | 0 |   |
|------------------|----|-------------|----------|----|-------|---|----|----|----|----|----|----|----|----|----|----|----|----|----|----|----|----|---|---|---|---|---|---|---|---|---|---|---|
| Id               |    |             |          |    |       |   |    |    |    |    |    |    |    |    |    |    |    |    |    |    |    |    |   |   |   |   |   |   |   |   |   | A |   |
| Reset 0x00000000 | 0  | 0           | 0        | 0  | 0     | 0   | 0  | 0  | 0  | 0  | 0  | 0  | 0  | 0  | 0  | 0  | 0  | 0  | 0  | 0  | 0  | 0  | 0 | 0 | 0 | 0 | 0 | 0 | 0 | 0 | 0 | 0 | 0 |
| Id               | RW | Field       | Value    | Id | Value | Description                                 |    |    |    |    |    |    |    |    |    |    |    |    |    |    |    |    |   |   |   |   |   |   |   |   |   |   |   |
| A                | RW | VALRDY_STOP |          |    |       | Shortcut between VALRDY event and STOP task |    |    |    |    |    |    |    |    |    |    |    |    |    |    |    |    |   |   |   |   |   |   |   |   |   |   |   |
|                  |    |             | Disabled | 0  |       | Disable shortcut                            |    |    |    |    |    |    |    |    |    |    |    |    |    |    |    |    |   |   |   |   |   |   |   |   |   |   |   |
|                  |    |             | Enabled  | 1  |       | Enable shortcut                             |    |    |    |    |    |    |    |    |    |    |    |    |    |    |    |    |   |   |   |   |   |   |   |   |   |   |   |

See [EVENTS\\_VALRDY](#) and [TASKS\\_STOP](#)

### 26.3.2 INTENSET

Address offset: 0x304

Enable interrupt

| Bit number       | 31 | 30     | 29       | 28 | 27    | 26   | 25 | 24 | 23 | 22 | 21 | 20 | 19 | 18 | 17 | 16 | 15 | 14 | 13 | 12 | 11 | 10 | 9 | 8 | 7 | 6 | 5 | 4 | 3 | 2 | 1 | 0 |
|------------------|----|--------|----------|----|-------|--|----|----|----|----|----|----|----|----|----|----|----|----|----|----|----|----|---|---|---|---|---|---|---|---|---|---|
| Id               |    |        |          |    |       |  |    |    |    |    |    |    |    |    |    |    |    |    |    |    |    |    |   |   |   |   |   |   |   |   |   | A |
| Reset 0x00000000 | 0  | 0      | 0        | 0  | 0     | 0  | 0  | 0  | 0  | 0  | 0  | 0  | 0  | 0  | 0  | 0  | 0  | 0  | 0  | 0  | 0  | 0  | 0 | 0 | 0 | 0 | 0 | 0 | 0 | 0 | 0 | 0 |
| Id               | RW | Field  | Value    | Id | Value | Description                                    |    |    |    |    |    |    |    |    |    |    |    |    |    |    |    |    |   |   |   |   |   |   |   |   |   |   |
| A                | RW | VALRDY |          |    |       | Write '1' to Enable interrupt for VALRDY event |    |    |    |    |    |    |    |    |    |    |    |    |    |    |    |    |   |   |   |   |   |   |   |   |   |   |
|                  |    |        | Set      | 1  |       | Enable   |    |    |    |    |    |    |    |    |    |    |    |    |    |    |    |    |   |   |   |   |   |   |   |   |   |   |
|                  |    |        | Disabled | 0  |       | Read: Disabled                                 |    |    |    |    |    |    |    |    |    |    |    |    |    |    |    |    |   |   |   |   |   |   |   |   |   |   |
|                  |    |        | Enabled  | 1  |       | Read: Enabled                                  |    |    |    |    |    |    |    |    |    |    |    |    |    |    |    |    |   |   |   |   |   |   |   |   |   |   |

See [EVENTS\\_VALRDY](#)

### 26.3.3 INTENCLR

Address offset: 0x308

Disable interrupt

| Bit number       | 31 | 30     | 29       | 28 | 27    | 26  | 25 | 24 | 23 | 22 | 21 | 20 | 19 | 18 | 17 | 16 | 15 | 14 | 13 | 12 | 11 | 10 | 9 | 8 | 7 | 6 | 5 | 4 | 3 | 2 | 1 | 0 |
|------------------|----|--------|----------|----|-------|---|----|----|----|----|----|----|----|----|----|----|----|----|----|----|----|----|---|---|---|---|---|---|---|---|---|---|
| Id               |    |        |          |    |       |   |    |    |    |    |    |    |    |    |    |    |    |    |    |    |    |    |   |   |   |   |   |   |   |   |   | A |
| Reset 0x00000000 | 0  | 0      | 0        | 0  | 0     | 0   | 0  | 0  | 0  | 0  | 0  | 0  | 0  | 0  | 0  | 0  | 0  | 0  | 0  | 0  | 0  | 0  | 0 | 0 | 0 | 0 | 0 | 0 | 0 | 0 | 0 | 0 |
| Id               | RW | Field  | Value    | Id | Value | Description                                     |    |    |    |    |    |    |    |    |    |    |    |    |    |    |    |    |   |   |   |   |   |   |   |   |   |   |
| A                | RW | VALRDY |          |    |       | Write '1' to Disable interrupt for VALRDY event |    |    |    |    |    |    |    |    |    |    |    |    |    |    |    |    |   |   |   |   |   |   |   |   |   |   |
|                  |    |        | Clear    | 1  |       | Disable   |    |    |    |    |    |    |    |    |    |    |    |    |    |    |    |    |   |   |   |   |   |   |   |   |   |   |
|                  |    |        | Disabled | 0  |       | Read: Disabled                                  |    |    |    |    |    |    |    |    |    |    |    |    |    |    |    |    |   |   |   |   |   |   |   |   |   |   |
|                  |    |        | Enabled  | 1  |       | Read: Enabled                                   |    |    |    |    |    |    |    |    |    |    |    |    |    |    |    |    |   |   |   |   |   |   |   |   |   |   |

See [EVENTS\\_VALRDY](#)

### 26.3.4 CONFIG

Address offset: 0x504

Configuration register

| Bit number       | 31 | 30     | 29       | 28 | 27    | 26              | 25 | 24 | 23 | 22 | 21 | 20 | 19 | 18 | 17 | 16 | 15 | 14 | 13 | 12 | 11 | 10 | 9 | 8 | 7 | 6 | 5 | 4 | 3 | 2 | 1 | 0 |
|------------------|----|--------|----------|----|-------|-----------------|----|----|----|----|----|----|----|----|----|----|----|----|----|----|----|----|---|---|---|---|---|---|---|---|---|---|
| Id               |    |        |          |    |       |                 |    |    |    |    |    |    |    |    |    |    |    |    |    |    |    |    |   |   |   |   |   |   |   |   |   | A |
| Reset 0x00000000 | 0  | 0      | 0        | 0  | 0     | 0               | 0  | 0  | 0  | 0  | 0  | 0  | 0  | 0  | 0  | 0  | 0  | 0  | 0  | 0  | 0  | 0  | 0 | 0 | 0 | 0 | 0 | 0 | 0 | 0 | 0 | 0 |
| Id               | RW | Field  | Value    | Id | Value | Description     |    |    |    |    |    |    |    |    |    |    |    |    |    |    |    |    |   |   |   |   |   |   |   |   |   |   |
| A                | RW | DERCEN |          |    |       | Bias correction |    |    |    |    |    |    |    |    |    |    |    |    |    |    |    |    |   |   |   |   |   |   |   |   |   |   |
|                  |    |        | Disabled | 0  |       | Disabled        |    |    |    |    |    |    |    |    |    |    |    |    |    |    |    |    |   |   |   |   |   |   |   |   |   |   |
|                  |    |        | Enabled  | 1  |       | Enabled         |    |    |    |    |    |    |    |    |    |    |    |    |    |    |    |    |   |   |   |   |   |   |   |   |   |   |

### 26.3.5 VALUE

Address offset: 0x508

Output random number



| Bit number       | 31 | 30    | 29       | 28       | 27                      | 26 | 25 | 24 | 23 | 22 | 21 | 20 | 19 | 18 | 17 | 16 | 15 | 14 | 13 | 12 | 11 | 10 | 9 | 8 | 7 | 6 | 5 | 4 | 3 | 2 | 1 | 0 |
|------------------|----|-------|----------|----------|-------------------------|----|----|----|----|----|----|----|----|----|----|----|----|----|----|----|----|----|---|---|---|---|---|---|---|---|---|---|
| Id               |    |       |          |          |                         |    |    |    |    |    |    |    |    |    |    |    |    |    |    |    |    |    |   |   |   |   |   |   |   |   |   |   |
| Reset 0x00000000 | 0  | 0     | 0        | 0        | 0                       | 0  | 0  | 0  | 0  | 0  | 0  | 0  | 0  | 0  | 0  | 0  | 0  | 0  | 0  | 0  | 0  | 0  | 0 | 0 | 0 | 0 | 0 | 0 | 0 | 0 | 0 | 0 |
| Id               | RW | Field | Value Id | Value    | Description             |    |    |    |    |    |    |    |    |    |    |    |    |    |    |    |    |    |   |   |   |   |   |   |   |   |   |   |
| A                | R  | VALUE |          | [0..255] | Generated random number |    |    |    |    |    |    |    |    |    |    |    |    |    |    |    |    |    |   |   |   |   |   |   |   |   |   |   |

## 26.4 Electrical specification

### 26.4.1 RNG Electrical Specification

| Symbol          | Description  | Min. | Typ. | Max. | Units   |
|-----------------|--|------|------|------|---------|
| $I_{RNG}$       | Run current, CPU sleeping.   |      | 500  |      | $\mu A$ |
| $t_{RNG,START}$ | Time from setting the START task to generation begins. This is a one-time delay on START signal and does not apply between samples.  |      | 128  |      | $\mu s$ |
| $t_{RNG,RAW}$   | Run time per byte without bias correction. Uniform distribution of 0 and 1 is not guaranteed.  |      | 30   |      | $\mu s$ |
| $t_{RNG,BC}$    | Run time per byte with bias correction. Uniform distribution of 0 and 1 is guaranteed. Time to generate a byte cannot be guaranteed. |      | 120  |      | $\mu s$ |

## 27 TEMP — Temperature sensor

The temperature sensor measures die temperature over the temperature range of the device. Linearity compensation can be implemented if required by the application.

Listed here are the main features for TEMP:

- Temperature range is greater than or equal to operating temperature of the device
- Resolution is 0.25 degrees

TEMP is started by triggering the START task.

When the temperature measurement is completed, a DATARDY event will be generated and the result of the measurement can be read from the TEMP register.

To achieve the measurement accuracy stated in the electrical specification, the crystal oscillator must be selected as the HFCLK source, see [CLOCK — Clock control](#) on page 101 for more information.

When the temperature measurement is completed, TEMP analog electronics power down to save power.

TEMP only supports one-shot operation, meaning that every TEMP measurement has to be explicitly started using the START task.

### 27.1 Registers

**Table 51: Instances**

| Base address | Peripheral | Instance | Description        | Configuration |
|--------------|------------|----------|--------------------|---------------|
| 0x4000C000   | TEMP       | TEMP     | Temperature sensor |               |

**Table 52: Register Overview**

| Register        | Offset | Description                                   |
|-----------------|--------|---|
| TASKS_START     | 0x000  | Start temperature measurement                 |
| TASKS_STOP      | 0x004  | Stop temperature measurement                  |
| EVENTS_DATARDY  | 0x100  | Temperature measurement complete, data ready  |
| <i>INTENSET</i> | 0x304  | Enable interrupt                              |
| <i>INTENCLR</i> | 0x308  | Disable interrupt                             |
| <i>TEMP</i>     | 0x508  | Temperature in °C (0.25° steps)               |
| <i>A0</i>       | 0x520  | Slope of 1st piece wise linear function       |
| <i>A1</i>       | 0x524  | Slope of 2nd piece wise linear function       |
| <i>A2</i>       | 0x528  | Slope of 3rd piece wise linear function       |
| <i>A3</i>       | 0x52C  | Slope of 4th piece wise linear function       |
| <i>A4</i>       | 0x530  | Slope of 5th piece wise linear function       |
| <i>A5</i>       | 0x534  | Slope of 6th piece wise linear function       |
| <i>B0</i>       | 0x540  | y-intercept of 1st piece wise linear function |
| <i>B1</i>       | 0x544  | y-intercept of 2nd piece wise linear function |
| <i>B2</i>       | 0x548  | y-intercept of 3rd piece wise linear function |
| <i>B3</i>       | 0x54C  | y-intercept of 4th piece wise linear function |
| <i>B4</i>       | 0x550  | y-intercept of 5th piece wise linear function |
| <i>B5</i>       | 0x554  | y-intercept of 6th piece wise linear function |
| <i>T0</i>       | 0x560  | End point of 1st piece wise linear function   |
| <i>T1</i>       | 0x564  | End point of 2nd piece wise linear function   |
| <i>T2</i>       | 0x568  | End point of 3rd piece wise linear function   |
| <i>T3</i>       | 0x56C  | End point of 4th piece wise linear function   |
| <i>T4</i>       | 0x570  | End point of 5th piece wise linear function   |

### 27.1.1 INTENSET

Address offset: 0x304

Enable interrupt

| Bit number       | 31 30 29 28 27 26 25 24 23 22 21 20 19 18 17 16 15 14 13 12 11 10 9 8 7 6 5 4 3 2 1 0 |         |          |       |   |  |  |  |  |  |  |  |  |  |  |  |  |  |  |  |  |  |  |  |  |  |  |  |  |  |  |
|------------------|---|---------|----------|-------|---|--|--|--|--|--|--|--|--|--|--|--|--|--|--|--|--|--|--|--|--|--|--|--|--|--|--|
| Id               | A   |         |          |       |   |  |  |  |  |  |  |  |  |  |  |  |  |  |  |  |  |  |  |  |  |  |  |  |  |  |  |
| Reset 0x00000000 | 0             |         |          |       |   |  |  |  |  |  |  |  |  |  |  |  |  |  |  |  |  |  |  |  |  |  |  |  |  |  |  |
| Id               | RW  | Field   | Value Id | Value | Description                                     |  |  |  |  |  |  |  |  |  |  |  |  |  |  |  |  |  |  |  |  |  |  |  |  |  |  |
| A                | RW  | DATARDY |          |       | Write '1' to Enable interrupt for DATARDY event |  |  |  |  |  |  |  |  |  |  |  |  |  |  |  |  |  |  |  |  |  |  |  |  |  |  |
|                  |   |         |          |       | See <a href="#">EVENTS_DATARDY</a>              |  |  |  |  |  |  |  |  |  |  |  |  |  |  |  |  |  |  |  |  |  |  |  |  |  |  |
|                  |   |         | Set      | 1     | Enable  |  |  |  |  |  |  |  |  |  |  |  |  |  |  |  |  |  |  |  |  |  |  |  |  |  |  |
|                  |   |         | Disabled | 0     | Read: Disabled                                  |  |  |  |  |  |  |  |  |  |  |  |  |  |  |  |  |  |  |  |  |  |  |  |  |  |  |
|                  |   |         | Enabled  | 1     | Read: Enabled                                   |  |  |  |  |  |  |  |  |  |  |  |  |  |  |  |  |  |  |  |  |  |  |  |  |  |  |

### 27.1.2 INTENCLR

Address offset: 0x308

Disable interrupt

| Bit number       | 31 30 29 28 27 26 25 24 23 22 21 20 19 18 17 16 15 14 13 12 11 10 9 8 7 6 5 4 3 2 1 0 |         |          |       |  |  |  |  |  |  |  |  |  |  |  |  |  |  |  |  |  |  |  |  |  |  |  |  |  |  |  |
|------------------|---|---------|----------|-------|--|--|--|--|--|--|--|--|--|--|--|--|--|--|--|--|--|--|--|--|--|--|--|--|--|--|--|
| Id               | A   |         |          |       |  |  |  |  |  |  |  |  |  |  |  |  |  |  |  |  |  |  |  |  |  |  |  |  |  |  |  |
| Reset 0x00000000 | 0             |         |          |       |  |  |  |  |  |  |  |  |  |  |  |  |  |  |  |  |  |  |  |  |  |  |  |  |  |  |  |
| Id               | RW  | Field   | Value Id | Value | Description                                      |  |  |  |  |  |  |  |  |  |  |  |  |  |  |  |  |  |  |  |  |  |  |  |  |  |  |
| A                | RW  | DATARDY |          |       | Write '1' to Disable interrupt for DATARDY event |  |  |  |  |  |  |  |  |  |  |  |  |  |  |  |  |  |  |  |  |  |  |  |  |  |  |
|                  |   |         |          |       | See <a href="#">EVENTS_DATARDY</a>               |  |  |  |  |  |  |  |  |  |  |  |  |  |  |  |  |  |  |  |  |  |  |  |  |  |  |
|                  |   |         | Clear    | 1     | Disable  |  |  |  |  |  |  |  |  |  |  |  |  |  |  |  |  |  |  |  |  |  |  |  |  |  |  |
|                  |   |         | Disabled | 0     | Read: Disabled                                   |  |  |  |  |  |  |  |  |  |  |  |  |  |  |  |  |  |  |  |  |  |  |  |  |  |  |
|                  |   |         | Enabled  | 1     | Read: Enabled                                    |  |  |  |  |  |  |  |  |  |  |  |  |  |  |  |  |  |  |  |  |  |  |  |  |  |  |

### 27.1.3 TEMP

Address offset: 0x508

Temperature in °C (0.25° steps)

| Bit number       | 31 30 29 28 27 26 25 24 23 22 21 20 19 18 17 16 15 14 13 12 11 10 9 8 7 6 5 4 3 2 1 0 |       |          |       |  |  |  |  |  |  |  |  |  |  |  |  |  |  |  |  |  |  |  |  |  |  |  |  |  |  |  |
|------------------|---|-------|----------|-------|--|--|--|--|--|--|--|--|--|--|--|--|--|--|--|--|--|--|--|--|--|--|--|--|--|--|--|
| Id               | A                 |       |          |       |  |  |  |  |  |  |  |  |  |  |  |  |  |  |  |  |  |  |  |  |  |  |  |  |  |  |  |
| Reset 0x00000000 | 0             |       |          |       |  |  |  |  |  |  |  |  |  |  |  |  |  |  |  |  |  |  |  |  |  |  |  |  |  |  |  |
| Id               | RW  | Field | Value Id | Value | Description  |  |  |  |  |  |  |  |  |  |  |  |  |  |  |  |  |  |  |  |  |  |  |  |  |  |  |
| A                | R   | TEMP  |          |       | Temperature in °C (0.25° steps)  |  |  |  |  |  |  |  |  |  |  |  |  |  |  |  |  |  |  |  |  |  |  |  |  |  |  |
|                  |   |       |          |       | Result of temperature measurement. Die temperature in °C, 2's complement format, 0.25 °C steps |  |  |  |  |  |  |  |  |  |  |  |  |  |  |  |  |  |  |  |  |  |  |  |  |  |  |
|                  |   |       |          |       | Decision point: DATARDY  |  |  |  |  |  |  |  |  |  |  |  |  |  |  |  |  |  |  |  |  |  |  |  |  |  |  |

### 27.1.4 A0

Address offset: 0x520

Slope of 1st piece wise linear function

| Bit number       | 31 30 29 28 27 26 25 24 23 22 21 20 19 18 17 16 15 14 13 12 11 10 9 8 7 6 5 4 3 2 1 0 |       |          |       |   |  |  |  |  |  |  |  |  |  |  |  |  |  |  |  |  |  |  |  |  |  |  |  |  |  |  |
|------------------|---|-------|----------|-------|---|--|--|--|--|--|--|--|--|--|--|--|--|--|--|--|--|--|--|--|--|--|--|--|--|--|--|
| Id               | A                 |       |          |       |   |  |  |  |  |  |  |  |  |  |  |  |  |  |  |  |  |  |  |  |  |  |  |  |  |  |  |
| Reset 0x00000320 | 0             |       |          |       |   |  |  |  |  |  |  |  |  |  |  |  |  |  |  |  |  |  |  |  |  |  |  |  |  |  |  |
| Id               | RW  | Field | Value Id | Value | Description                             |  |  |  |  |  |  |  |  |  |  |  |  |  |  |  |  |  |  |  |  |  |  |  |  |  |  |
| A                | RW  | A0    |          |       | Slope of 1st piece wise linear function |  |  |  |  |  |  |  |  |  |  |  |  |  |  |  |  |  |  |  |  |  |  |  |  |  |  |

### 27.1.5 A1

Address offset: 0x524

Slope of 2nd piece wise linear function

| Bit number       | 31 | 30    | 29       | 28    | 27                                      | 26 | 25 | 24 | 23 | 22 | 21 | 20 | 19 | 18 | 17 | 16 | 15 | 14 | 13 | 12 | 11 | 10 | 9 | 8 | 7 | 6 | 5 | 4 | 3 | 2 | 1 | 0 |   |   |   |   |   |   |   |   |   |   |   |   |   |   |   |   |   |   |   |   |   |
|------------------|----|-------|----------|-------|---|----|----|----|----|----|----|----|----|----|----|----|----|----|----|----|----|----|---|---|---|---|---|---|---|---|---|---|---|---|---|---|---|---|---|---|---|---|---|---|---|---|---|---|---|---|---|---|---|
| Id               |    |       |          |       |   |    |    |    |    |    |    |    |    |    |    |    |    |    |    |    |    |    | A | A | A | A | A | A | A | A | A | A | A | A | A | A | A | A | A | A | A | A | A | A | A | A | A | A | A | A | A | A | A |
| Reset 0x00000343 | 0  | 0     | 0        | 0     | 0                                       | 0  | 0  | 0  | 0  | 0  | 0  | 0  | 0  | 0  | 0  | 0  | 0  | 0  | 0  | 0  | 0  | 0  | 0 | 0 | 1 | 1 | 0 | 1 | 0 | 0 | 0 | 0 | 1 | 1 |   |   |   |   |   |   |   |   |   |   |   |   |   |   |   |   |   |   |   |
| Id               | RW | Field | Value Id | Value | Description                             |    |    |    |    |    |    |    |    |    |    |    |    |    |    |    |    |    |   |   |   |   |   |   |   |   |   |   |   |   |   |   |   |   |   |   |   |   |   |   |   |   |   |   |   |   |   |   |   |
| A                | RW | A1    |          |       | Slope of 2nd piece wise linear function |    |    |    |    |    |    |    |    |    |    |    |    |    |    |    |    |    |   |   |   |   |   |   |   |   |   |   |   |   |   |   |   |   |   |   |   |   |   |   |   |   |   |   |   |   |   |   |   |

**27.1.6 A2**

Address offset: 0x528

Slope of 3rd piece wise linear function

| Bit number       | 31 | 30    | 29       | 28    | 27                                      | 26 | 25 | 24 | 23 | 22 | 21 | 20 | 19 | 18 | 17 | 16 | 15 | 14 | 13 | 12 | 11 | 10 | 9 | 8 | 7 | 6 | 5 | 4 | 3 | 2 | 1 | 0 |   |   |   |   |   |   |   |   |   |   |   |   |   |   |   |   |   |   |   |   |
|------------------|----|-------|----------|-------|---|----|----|----|----|----|----|----|----|----|----|----|----|----|----|----|----|----|---|---|---|---|---|---|---|---|---|---|---|---|---|---|---|---|---|---|---|---|---|---|---|---|---|---|---|---|---|---|
| Id               |    |       |          |       |   |    |    |    |    |    |    |    |    |    |    |    |    |    |    |    |    |    | A | A | A | A | A | A | A | A | A | A | A | A | A | A | A | A | A | A | A | A | A | A | A | A | A | A | A | A | A | A |
| Reset 0x0000035D | 0  | 0     | 0        | 0     | 0                                       | 0  | 0  | 0  | 0  | 0  | 0  | 0  | 0  | 0  | 0  | 0  | 0  | 0  | 0  | 0  | 0  | 0  | 0 | 0 | 1 | 1 | 0 | 1 | 0 | 1 | 1 | 1 | 1 | 0 | 1 |   |   |   |   |   |   |   |   |   |   |   |   |   |   |   |   |   |
| Id               | RW | Field | Value Id | Value | Description                             |    |    |    |    |    |    |    |    |    |    |    |    |    |    |    |    |    |   |   |   |   |   |   |   |   |   |   |   |   |   |   |   |   |   |   |   |   |   |   |   |   |   |   |   |   |   |   |
| A                | RW | A2    |          |       | Slope of 3rd piece wise linear function |    |    |    |    |    |    |    |    |    |    |    |    |    |    |    |    |    |   |   |   |   |   |   |   |   |   |   |   |   |   |   |   |   |   |   |   |   |   |   |   |   |   |   |   |   |   |   |

**27.1.7 A3**

Address offset: 0x52C

Slope of 4th piece wise linear function

| Bit number       | 31 | 30    | 29       | 28    | 27                                      | 26 | 25 | 24 | 23 | 22 | 21 | 20 | 19 | 18 | 17 | 16 | 15 | 14 | 13 | 12 | 11 | 10 | 9 | 8 | 7 | 6 | 5 | 4 | 3 | 2 | 1 | 0 |   |   |   |   |   |   |   |   |   |   |   |   |   |   |   |   |   |   |   |   |
|------------------|----|-------|----------|-------|---|----|----|----|----|----|----|----|----|----|----|----|----|----|----|----|----|----|---|---|---|---|---|---|---|---|---|---|---|---|---|---|---|---|---|---|---|---|---|---|---|---|---|---|---|---|---|---|
| Id               |    |       |          |       |   |    |    |    |    |    |    |    |    |    |    |    |    |    |    |    |    |    | A | A | A | A | A | A | A | A | A | A | A | A | A | A | A | A | A | A | A | A | A | A | A | A | A | A | A | A | A | A |
| Reset 0x00000400 | 0  | 0     | 0        | 0     | 0                                       | 0  | 0  | 0  | 0  | 0  | 0  | 0  | 0  | 0  | 0  | 0  | 0  | 0  | 0  | 0  | 0  | 0  | 0 | 1 | 0 | 0 | 0 | 0 | 0 | 0 | 0 | 0 | 0 | 0 |   |   |   |   |   |   |   |   |   |   |   |   |   |   |   |   |   |   |
| Id               | RW | Field | Value Id | Value | Description                             |    |    |    |    |    |    |    |    |    |    |    |    |    |    |    |    |    |   |   |   |   |   |   |   |   |   |   |   |   |   |   |   |   |   |   |   |   |   |   |   |   |   |   |   |   |   |   |
| A                | RW | A3    |          |       | Slope of 4th piece wise linear function |    |    |    |    |    |    |    |    |    |    |    |    |    |    |    |    |    |   |   |   |   |   |   |   |   |   |   |   |   |   |   |   |   |   |   |   |   |   |   |   |   |   |   |   |   |   |   |

**27.1.8 A4**

Address offset: 0x530

Slope of 5th piece wise linear function

| Bit number       | 31 | 30    | 29       | 28    | 27                                      | 26 | 25 | 24 | 23 | 22 | 21 | 20 | 19 | 18 | 17 | 16 | 15 | 14 | 13 | 12 | 11 | 10 | 9 | 8 | 7 | 6 | 5 | 4 | 3 | 2 | 1 | 0 |   |   |   |   |   |   |   |   |   |   |   |   |   |   |   |   |   |   |   |   |
|------------------|----|-------|----------|-------|---|----|----|----|----|----|----|----|----|----|----|----|----|----|----|----|----|----|---|---|---|---|---|---|---|---|---|---|---|---|---|---|---|---|---|---|---|---|---|---|---|---|---|---|---|---|---|---|
| Id               |    |       |          |       |   |    |    |    |    |    |    |    |    |    |    |    |    |    |    |    |    |    | A | A | A | A | A | A | A | A | A | A | A | A | A | A | A | A | A | A | A | A | A | A | A | A | A | A | A | A | A | A |
| Reset 0x0000047F | 0  | 0     | 0        | 0     | 0                                       | 0  | 0  | 0  | 0  | 0  | 0  | 0  | 0  | 0  | 0  | 0  | 0  | 0  | 0  | 0  | 0  | 0  | 0 | 1 | 0 | 0 | 0 | 1 | 1 | 1 | 1 | 1 | 1 | 1 |   |   |   |   |   |   |   |   |   |   |   |   |   |   |   |   |   |   |
| Id               | RW | Field | Value Id | Value | Description                             |    |    |    |    |    |    |    |    |    |    |    |    |    |    |    |    |    |   |   |   |   |   |   |   |   |   |   |   |   |   |   |   |   |   |   |   |   |   |   |   |   |   |   |   |   |   |   |
| A                | RW | A4    |          |       | Slope of 5th piece wise linear function |    |    |    |    |    |    |    |    |    |    |    |    |    |    |    |    |    |   |   |   |   |   |   |   |   |   |   |   |   |   |   |   |   |   |   |   |   |   |   |   |   |   |   |   |   |   |   |

**27.1.9 A5**

Address offset: 0x534

Slope of 6th piece wise linear function

| Bit number       | 31 | 30    | 29       | 28    | 27                                      | 26 | 25 | 24 | 23 | 22 | 21 | 20 | 19 | 18 | 17 | 16 | 15 | 14 | 13 | 12 | 11 | 10 | 9 | 8 | 7 | 6 | 5 | 4 | 3 | 2 | 1 | 0 |   |   |   |   |   |   |   |   |   |   |   |   |   |   |   |   |   |   |   |   |
|------------------|----|-------|----------|-------|---|----|----|----|----|----|----|----|----|----|----|----|----|----|----|----|----|----|---|---|---|---|---|---|---|---|---|---|---|---|---|---|---|---|---|---|---|---|---|---|---|---|---|---|---|---|---|---|
| Id               |    |       |          |       |   |    |    |    |    |    |    |    |    |    |    |    |    |    |    |    |    |    | A | A | A | A | A | A | A | A | A | A | A | A | A | A | A | A | A | A | A | A | A | A | A | A | A | A | A | A | A | A |
| Reset 0x0000037B | 0  | 0     | 0        | 0     | 0                                       | 0  | 0  | 0  | 0  | 0  | 0  | 0  | 0  | 0  | 0  | 0  | 0  | 0  | 0  | 0  | 0  | 0  | 0 | 0 | 1 | 1 | 0 | 1 | 1 | 1 | 1 | 0 | 1 | 1 |   |   |   |   |   |   |   |   |   |   |   |   |   |   |   |   |   |   |
| Id               | RW | Field | Value Id | Value | Description                             |    |    |    |    |    |    |    |    |    |    |    |    |    |    |    |    |    |   |   |   |   |   |   |   |   |   |   |   |   |   |   |   |   |   |   |   |   |   |   |   |   |   |   |   |   |   |   |
| A                | RW | A5    |          |       | Slope of 6th piece wise linear function |    |    |    |    |    |    |    |    |    |    |    |    |    |    |    |    |    |   |   |   |   |   |   |   |   |   |   |   |   |   |   |   |   |   |   |   |   |   |   |   |   |   |   |   |   |   |   |

**27.1.10 B0**

Address offset: 0x540

y-intercept of 1st piece wise linear function

|                  |           |              |    |    |                 |    |    |              |    |    |   |    |    |    |    |    |    |    |    |    |    |    |   |   |   |   |   |   |   |   |   |   |   |   |   |   |   |   |   |   |   |   |   |   |   |   |   |   |   |   |
|------------------|-----------|--------------|----|----|-----------------|----|----|--------------|----|----|---|----|----|----|----|----|----|----|----|----|----|----|---|---|---|---|---|---|---|---|---|---|---|---|---|---|---|---|---|---|---|---|---|---|---|---|---|---|---|---|
| Bit number       | 31        | 30           | 29 | 28 | 27              | 26 | 25 | 24           | 23 | 22 | 21  | 20 | 19 | 18 | 17 | 16 | 15 | 14 | 13 | 12 | 11 | 10 | 9 | 8 | 7 | 6 | 5 | 4 | 3 | 2 | 1 | 0 |   |   |   |   |   |   |   |   |   |   |   |   |   |   |   |   |   |   |
| Id               |           |              |    |    |                 |    |    |              |    |    |   |    |    |    |    |    |    |    |    |    | A  | A  | A | A | A | A | A | A | A | A | A | A | A | A | A | A | A | A | A | A | A | A | A | A | A | A | A | A | A | A |
| Reset 0x00003FCC | 0         | 0            | 0  | 0  | 0               | 0  | 0  | 0            | 0  | 0  | 0   | 0  | 0  | 0  | 0  | 0  | 0  | 0  | 0  | 0  | 0  | 0  | 0 | 1 | 1 | 1 | 1 | 1 | 1 | 1 | 1 | 0 | 0 | 1 | 1 | 0 | 0 |   |   |   |   |   |   |   |   |   |   |   |   |   |
| <b>Id</b>        | <b>RW</b> | <b>Field</b> |    |    | <b>Value Id</b> |    |    | <b>Value</b> |    |    | <b>Description</b>                            |    |    |    |    |    |    |    |    |    |    |    |   |   |   |   |   |   |   |   |   |   |   |   |   |   |   |   |   |   |   |   |   |   |   |   |   |   |   |   |
| A                | RW        | B0           |    |    |                 |    |    |              |    |    | y-intercept of 1st piece wise linear function |    |    |    |    |    |    |    |    |    |    |    |   |   |   |   |   |   |   |   |   |   |   |   |   |   |   |   |   |   |   |   |   |   |   |   |   |   |   |   |

### 27.1.11 B1

Address offset: 0x544

y-intercept of 2nd piece wise linear function

|                  |           |              |    |    |                 |    |    |              |    |    |   |    |    |    |    |    |    |    |    |    |    |    |   |   |   |   |   |   |   |   |   |   |   |   |   |   |   |   |   |   |   |   |   |   |   |   |   |   |   |   |   |
|------------------|-----------|--------------|----|----|-----------------|----|----|--------------|----|----|---|----|----|----|----|----|----|----|----|----|----|----|---|---|---|---|---|---|---|---|---|---|---|---|---|---|---|---|---|---|---|---|---|---|---|---|---|---|---|---|---|
| Bit number       | 31        | 30           | 29 | 28 | 27              | 26 | 25 | 24           | 23 | 22 | 21  | 20 | 19 | 18 | 17 | 16 | 15 | 14 | 13 | 12 | 11 | 10 | 9 | 8 | 7 | 6 | 5 | 4 | 3 | 2 | 1 | 0 |   |   |   |   |   |   |   |   |   |   |   |   |   |   |   |   |   |   |   |
| Id               |           |              |    |    |                 |    |    |              |    |    |   |    |    |    |    |    |    |    |    |    | A  | A  | A | A | A | A | A | A | A | A | A | A | A | A | A | A | A | A | A | A | A | A | A | A | A | A | A | A | A | A | A |
| Reset 0x00003F98 | 0         | 0            | 0  | 0  | 0               | 0  | 0  | 0            | 0  | 0  | 0   | 0  | 0  | 0  | 0  | 0  | 0  | 0  | 0  | 0  | 0  | 0  | 0 | 1 | 1 | 1 | 1 | 1 | 1 | 0 | 0 | 1 | 1 | 0 | 0 | 0 | 0 |   |   |   |   |   |   |   |   |   |   |   |   |   |   |
| <b>Id</b>        | <b>RW</b> | <b>Field</b> |    |    | <b>Value Id</b> |    |    | <b>Value</b> |    |    | <b>Description</b>                            |    |    |    |    |    |    |    |    |    |    |    |   |   |   |   |   |   |   |   |   |   |   |   |   |   |   |   |   |   |   |   |   |   |   |   |   |   |   |   |   |
| A                | RW        | B1           |    |    |                 |    |    |              |    |    | y-intercept of 2nd piece wise linear function |    |    |    |    |    |    |    |    |    |    |    |   |   |   |   |   |   |   |   |   |   |   |   |   |   |   |   |   |   |   |   |   |   |   |   |   |   |   |   |   |

### 27.1.12 B2

Address offset: 0x548

y-intercept of 3rd piece wise linear function

|                  |           |              |    |    |                 |    |    |              |    |    |   |    |    |    |    |    |    |    |    |    |    |    |   |   |   |   |   |   |   |   |   |   |   |   |   |   |   |   |   |   |   |   |   |   |   |   |   |   |   |   |   |
|------------------|-----------|--------------|----|----|-----------------|----|----|--------------|----|----|---|----|----|----|----|----|----|----|----|----|----|----|---|---|---|---|---|---|---|---|---|---|---|---|---|---|---|---|---|---|---|---|---|---|---|---|---|---|---|---|---|
| Bit number       | 31        | 30           | 29 | 28 | 27              | 26 | 25 | 24           | 23 | 22 | 21  | 20 | 19 | 18 | 17 | 16 | 15 | 14 | 13 | 12 | 11 | 10 | 9 | 8 | 7 | 6 | 5 | 4 | 3 | 2 | 1 | 0 |   |   |   |   |   |   |   |   |   |   |   |   |   |   |   |   |   |   |   |
| Id               |           |              |    |    |                 |    |    |              |    |    |   |    |    |    |    |    |    |    |    |    | A  | A  | A | A | A | A | A | A | A | A | A | A | A | A | A | A | A | A | A | A | A | A | A | A | A | A | A | A | A | A | A |
| Reset 0x00003F98 | 0         | 0            | 0  | 0  | 0               | 0  | 0  | 0            | 0  | 0  | 0   | 0  | 0  | 0  | 0  | 0  | 0  | 0  | 0  | 0  | 0  | 0  | 0 | 1 | 1 | 1 | 1 | 1 | 1 | 0 | 0 | 1 | 1 | 0 | 0 | 0 | 0 |   |   |   |   |   |   |   |   |   |   |   |   |   |   |
| <b>Id</b>        | <b>RW</b> | <b>Field</b> |    |    | <b>Value Id</b> |    |    | <b>Value</b> |    |    | <b>Description</b>                            |    |    |    |    |    |    |    |    |    |    |    |   |   |   |   |   |   |   |   |   |   |   |   |   |   |   |   |   |   |   |   |   |   |   |   |   |   |   |   |   |
| A                | RW        | B2           |    |    |                 |    |    |              |    |    | y-intercept of 3rd piece wise linear function |    |    |    |    |    |    |    |    |    |    |    |   |   |   |   |   |   |   |   |   |   |   |   |   |   |   |   |   |   |   |   |   |   |   |   |   |   |   |   |   |

### 27.1.13 B3

Address offset: 0x54C

y-intercept of 4th piece wise linear function

|                  |           |              |    |    |                 |    |    |              |    |    |   |    |    |    |    |    |    |    |    |    |    |    |   |   |   |   |   |   |   |   |   |   |   |   |   |   |   |   |   |   |   |   |   |   |   |   |   |   |   |   |   |   |
|------------------|-----------|--------------|----|----|-----------------|----|----|--------------|----|----|---|----|----|----|----|----|----|----|----|----|----|----|---|---|---|---|---|---|---|---|---|---|---|---|---|---|---|---|---|---|---|---|---|---|---|---|---|---|---|---|---|---|
| Bit number       | 31        | 30           | 29 | 28 | 27              | 26 | 25 | 24           | 23 | 22 | 21  | 20 | 19 | 18 | 17 | 16 | 15 | 14 | 13 | 12 | 11 | 10 | 9 | 8 | 7 | 6 | 5 | 4 | 3 | 2 | 1 | 0 |   |   |   |   |   |   |   |   |   |   |   |   |   |   |   |   |   |   |   |   |
| Id               |           |              |    |    |                 |    |    |              |    |    |   |    |    |    |    |    |    |    |    |    | A  | A  | A | A | A | A | A | A | A | A | A | A | A | A | A | A | A | A | A | A | A | A | A | A | A | A | A | A | A | A | A | A |
| Reset 0x00000012 | 0         | 0            | 0  | 0  | 0               | 0  | 0  | 0            | 0  | 0  | 0   | 0  | 0  | 0  | 0  | 0  | 0  | 0  | 0  | 0  | 0  | 0  | 0 | 0 | 0 | 0 | 0 | 0 | 0 | 0 | 0 | 0 | 0 | 0 | 1 | 0 | 0 | 1 | 0 |   |   |   |   |   |   |   |   |   |   |   |   |   |
| <b>Id</b>        | <b>RW</b> | <b>Field</b> |    |    | <b>Value Id</b> |    |    | <b>Value</b> |    |    | <b>Description</b>                            |    |    |    |    |    |    |    |    |    |    |    |   |   |   |   |   |   |   |   |   |   |   |   |   |   |   |   |   |   |   |   |   |   |   |   |   |   |   |   |   |   |
| A                | RW        | B3           |    |    |                 |    |    |              |    |    | y-intercept of 4th piece wise linear function |    |    |    |    |    |    |    |    |    |    |    |   |   |   |   |   |   |   |   |   |   |   |   |   |   |   |   |   |   |   |   |   |   |   |   |   |   |   |   |   |   |

### 27.1.14 B4

Address offset: 0x550

y-intercept of 5th piece wise linear function

|                  |           |              |    |    |                 |    |    |              |    |    |   |    |    |    |    |    |    |    |    |    |    |    |   |   |   |   |   |   |   |   |   |   |   |   |   |   |   |   |   |   |   |   |   |   |   |   |   |   |   |   |   |   |   |
|------------------|-----------|--------------|----|----|-----------------|----|----|--------------|----|----|---|----|----|----|----|----|----|----|----|----|----|----|---|---|---|---|---|---|---|---|---|---|---|---|---|---|---|---|---|---|---|---|---|---|---|---|---|---|---|---|---|---|---|
| Bit number       | 31        | 30           | 29 | 28 | 27              | 26 | 25 | 24           | 23 | 22 | 21  | 20 | 19 | 18 | 17 | 16 | 15 | 14 | 13 | 12 | 11 | 10 | 9 | 8 | 7 | 6 | 5 | 4 | 3 | 2 | 1 | 0 |   |   |   |   |   |   |   |   |   |   |   |   |   |   |   |   |   |   |   |   |   |
| Id               |           |              |    |    |                 |    |    |              |    |    |   |    |    |    |    |    |    |    |    |    | A  | A  | A | A | A | A | A | A | A | A | A | A | A | A | A | A | A | A | A | A | A | A | A | A | A | A | A | A | A | A | A | A | A |
| Reset 0x0000006A | 0         | 0            | 0  | 0  | 0               | 0  | 0  | 0            | 0  | 0  | 0   | 0  | 0  | 0  | 0  | 0  | 0  | 0  | 0  | 0  | 0  | 0  | 0 | 0 | 0 | 0 | 0 | 0 | 0 | 0 | 0 | 0 | 0 | 1 | 1 | 0 | 1 | 0 | 1 | 0 |   |   |   |   |   |   |   |   |   |   |   |   |   |
| <b>Id</b>        | <b>RW</b> | <b>Field</b> |    |    | <b>Value Id</b> |    |    | <b>Value</b> |    |    | <b>Description</b>                            |    |    |    |    |    |    |    |    |    |    |    |   |   |   |   |   |   |   |   |   |   |   |   |   |   |   |   |   |   |   |   |   |   |   |   |   |   |   |   |   |   |   |
| A                | RW        | B4           |    |    |                 |    |    |              |    |    | y-intercept of 5th piece wise linear function |    |    |    |    |    |    |    |    |    |    |    |   |   |   |   |   |   |   |   |   |   |   |   |   |   |   |   |   |   |   |   |   |   |   |   |   |   |   |   |   |   |   |

### 27.1.15 B5

Address offset: 0x554

y-intercept of 6th piece wise linear function

|                  |           |              |    |    |                 |    |    |              |    |    |   |    |    |    |    |    |    |    |    |    |    |    |   |   |   |   |   |   |   |   |   |   |   |   |   |   |   |   |   |   |   |   |   |   |   |   |   |   |   |   |   |   |   |
|------------------|-----------|--------------|----|----|-----------------|----|----|--------------|----|----|---|----|----|----|----|----|----|----|----|----|----|----|---|---|---|---|---|---|---|---|---|---|---|---|---|---|---|---|---|---|---|---|---|---|---|---|---|---|---|---|---|---|---|
| Bit number       | 31        | 30           | 29 | 28 | 27              | 26 | 25 | 24           | 23 | 22 | 21  | 20 | 19 | 18 | 17 | 16 | 15 | 14 | 13 | 12 | 11 | 10 | 9 | 8 | 7 | 6 | 5 | 4 | 3 | 2 | 1 | 0 |   |   |   |   |   |   |   |   |   |   |   |   |   |   |   |   |   |   |   |   |   |
| Id               |           |              |    |    |                 |    |    |              |    |    |   |    |    |    |    |    |    |    |    |    | A  | A  | A | A | A | A | A | A | A | A | A | A | A | A | A | A | A | A | A | A | A | A | A | A | A | A | A | A | A | A | A | A | A |
| Reset 0x00003DD0 | 0         | 0            | 0  | 0  | 0               | 0  | 0  | 0            | 0  | 0  | 0   | 0  | 0  | 0  | 0  | 0  | 0  | 0  | 0  | 0  | 0  | 0  | 0 | 1 | 1 | 1 | 1 | 0 | 1 | 1 | 1 | 0 | 1 | 0 | 0 | 0 | 0 | 0 |   |   |   |   |   |   |   |   |   |   |   |   |   |   |   |
| <b>Id</b>        | <b>RW</b> | <b>Field</b> |    |    | <b>Value Id</b> |    |    | <b>Value</b> |    |    | <b>Description</b>                            |    |    |    |    |    |    |    |    |    |    |    |   |   |   |   |   |   |   |   |   |   |   |   |   |   |   |   |   |   |   |   |   |   |   |   |   |   |   |   |   |   |   |
| A                | RW        | B5           |    |    |                 |    |    |              |    |    | y-intercept of 6th piece wise linear function |    |    |    |    |    |    |    |    |    |    |    |   |   |   |   |   |   |   |   |   |   |   |   |   |   |   |   |   |   |   |   |   |   |   |   |   |   |   |   |   |   |   |

### 27.1.16 T0

Address offset: 0x560

End point of 1st piece wise linear function

| Bit number       | 31 | 30    | 29       | 28    | 27  | 26 | 25 | 24 | 23 | 22 | 21 | 20 | 19 | 18 | 17 | 16 | 15 | 14 | 13 | 12 | 11 | 10 | 9 | 8 | 7 | 6 | 5 | 4 | 3 | 2 | 1 | 0 |   |   |   |   |   |   |   |   |   |   |   |   |   |   |   |   |   |   |   |   |   |   |   |
|------------------|----|-------|----------|-------|---|----|----|----|----|----|----|----|----|----|----|----|----|----|----|----|----|----|---|---|---|---|---|---|---|---|---|---|---|---|---|---|---|---|---|---|---|---|---|---|---|---|---|---|---|---|---|---|---|---|---|
| Id               |    |       |          |       |   |    |    |    |    |    |    |    |    |    |    |    |    |    |    |    |    |    |   | A | A | A | A | A | A | A | A | A | A | A | A | A | A | A | A | A | A | A | A | A | A | A | A | A | A | A | A | A | A | A | A |
| Reset 0x000000E2 | 0  | 0     | 0        | 0     | 0   | 0  | 0  | 0  | 0  | 0  | 0  | 0  | 0  | 0  | 0  | 0  | 0  | 0  | 0  | 0  | 0  | 0  | 0 | 0 | 0 | 1 | 1 | 1 | 0 | 0 | 0 | 1 | 0 | 0 |   |   |   |   |   |   |   |   |   |   |   |   |   |   |   |   |   |   |   |   |   |
| Id               | RW | Field | Value Id | Value | Description                                 |    |    |    |    |    |    |    |    |    |    |    |    |    |    |    |    |    |   |   |   |   |   |   |   |   |   |   |   |   |   |   |   |   |   |   |   |   |   |   |   |   |   |   |   |   |   |   |   |   |   |
| A                | RW | T0    |          |       | End point of 1st piece wise linear function |    |    |    |    |    |    |    |    |    |    |    |    |    |    |    |    |    |   |   |   |   |   |   |   |   |   |   |   |   |   |   |   |   |   |   |   |   |   |   |   |   |   |   |   |   |   |   |   |   |   |

### 27.1.17 T1

Address offset: 0x564

End point of 2nd piece wise linear function

| Bit number       | 31 | 30    | 29       | 28    | 27  | 26 | 25 | 24 | 23 | 22 | 21 | 20 | 19 | 18 | 17 | 16 | 15 | 14 | 13 | 12 | 11 | 10 | 9 | 8 | 7 | 6 | 5 | 4 | 3 | 2 | 1 | 0 |   |   |   |   |   |   |   |   |   |   |   |   |   |   |   |   |   |   |   |   |   |   |   |
|------------------|----|-------|----------|-------|---|----|----|----|----|----|----|----|----|----|----|----|----|----|----|----|----|----|---|---|---|---|---|---|---|---|---|---|---|---|---|---|---|---|---|---|---|---|---|---|---|---|---|---|---|---|---|---|---|---|---|
| Id               |    |       |          |       |   |    |    |    |    |    |    |    |    |    |    |    |    |    |    |    |    |    |   | A | A | A | A | A | A | A | A | A | A | A | A | A | A | A | A | A | A | A | A | A | A | A | A | A | A | A | A | A | A | A | A |
| Reset 0x00000000 | 0  | 0     | 0        | 0     | 0   | 0  | 0  | 0  | 0  | 0  | 0  | 0  | 0  | 0  | 0  | 0  | 0  | 0  | 0  | 0  | 0  | 0  | 0 | 0 | 0 | 0 | 0 | 0 | 0 | 0 | 0 | 0 | 0 | 0 |   |   |   |   |   |   |   |   |   |   |   |   |   |   |   |   |   |   |   |   |   |
| Id               | RW | Field | Value Id | Value | Description                                 |    |    |    |    |    |    |    |    |    |    |    |    |    |    |    |    |    |   |   |   |   |   |   |   |   |   |   |   |   |   |   |   |   |   |   |   |   |   |   |   |   |   |   |   |   |   |   |   |   |   |
| A                | RW | T1    |          |       | End point of 2nd piece wise linear function |    |    |    |    |    |    |    |    |    |    |    |    |    |    |    |    |    |   |   |   |   |   |   |   |   |   |   |   |   |   |   |   |   |   |   |   |   |   |   |   |   |   |   |   |   |   |   |   |   |   |

### 27.1.18 T2

Address offset: 0x568

End point of 3rd piece wise linear function

| Bit number       | 31 | 30    | 29       | 28    | 27  | 26 | 25 | 24 | 23 | 22 | 21 | 20 | 19 | 18 | 17 | 16 | 15 | 14 | 13 | 12 | 11 | 10 | 9 | 8 | 7 | 6 | 5 | 4 | 3 | 2 | 1 | 0 |   |   |   |   |   |   |   |   |   |   |   |   |   |   |   |   |   |   |   |   |   |   |   |
|------------------|----|-------|----------|-------|---|----|----|----|----|----|----|----|----|----|----|----|----|----|----|----|----|----|---|---|---|---|---|---|---|---|---|---|---|---|---|---|---|---|---|---|---|---|---|---|---|---|---|---|---|---|---|---|---|---|---|
| Id               |    |       |          |       |   |    |    |    |    |    |    |    |    |    |    |    |    |    |    |    |    |    |   | A | A | A | A | A | A | A | A | A | A | A | A | A | A | A | A | A | A | A | A | A | A | A | A | A | A | A | A | A | A | A | A |
| Reset 0x00000014 | 0  | 0     | 0        | 0     | 0   | 0  | 0  | 0  | 0  | 0  | 0  | 0  | 0  | 0  | 0  | 0  | 0  | 0  | 0  | 0  | 0  | 0  | 0 | 0 | 0 | 0 | 0 | 0 | 0 | 0 | 0 | 1 | 0 | 1 | 0 | 0 |   |   |   |   |   |   |   |   |   |   |   |   |   |   |   |   |   |   |   |
| Id               | RW | Field | Value Id | Value | Description                                 |    |    |    |    |    |    |    |    |    |    |    |    |    |    |    |    |    |   |   |   |   |   |   |   |   |   |   |   |   |   |   |   |   |   |   |   |   |   |   |   |   |   |   |   |   |   |   |   |   |   |
| A                | RW | T2    |          |       | End point of 3rd piece wise linear function |    |    |    |    |    |    |    |    |    |    |    |    |    |    |    |    |    |   |   |   |   |   |   |   |   |   |   |   |   |   |   |   |   |   |   |   |   |   |   |   |   |   |   |   |   |   |   |   |   |   |

### 27.1.19 T3

Address offset: 0x56C

End point of 4th piece wise linear function

| Bit number       | 31 | 30    | 29       | 28    | 27  | 26 | 25 | 24 | 23 | 22 | 21 | 20 | 19 | 18 | 17 | 16 | 15 | 14 | 13 | 12 | 11 | 10 | 9 | 8 | 7 | 6 | 5 | 4 | 3 | 2 | 1 | 0 |   |   |   |   |   |   |   |   |   |   |   |   |   |   |   |   |   |   |   |   |   |   |   |   |
|------------------|----|-------|----------|-------|---|----|----|----|----|----|----|----|----|----|----|----|----|----|----|----|----|----|---|---|---|---|---|---|---|---|---|---|---|---|---|---|---|---|---|---|---|---|---|---|---|---|---|---|---|---|---|---|---|---|---|---|
| Id               |    |       |          |       |   |    |    |    |    |    |    |    |    |    |    |    |    |    |    |    |    |    |   | A | A | A | A | A | A | A | A | A | A | A | A | A | A | A | A | A | A | A | A | A | A | A | A | A | A | A | A | A | A | A | A | A |
| Reset 0x00000019 | 0  | 0     | 0        | 0     | 0   | 0  | 0  | 0  | 0  | 0  | 0  | 0  | 0  | 0  | 0  | 0  | 0  | 0  | 0  | 0  | 0  | 0  | 0 | 0 | 0 | 0 | 0 | 0 | 0 | 0 | 0 | 0 | 1 | 1 | 0 | 0 | 1 |   |   |   |   |   |   |   |   |   |   |   |   |   |   |   |   |   |   |   |
| Id               | RW | Field | Value Id | Value | Description                                 |    |    |    |    |    |    |    |    |    |    |    |    |    |    |    |    |    |   |   |   |   |   |   |   |   |   |   |   |   |   |   |   |   |   |   |   |   |   |   |   |   |   |   |   |   |   |   |   |   |   |   |
| A                | RW | T3    |          |       | End point of 4th piece wise linear function |    |    |    |    |    |    |    |    |    |    |    |    |    |    |    |    |    |   |   |   |   |   |   |   |   |   |   |   |   |   |   |   |   |   |   |   |   |   |   |   |   |   |   |   |   |   |   |   |   |   |   |

### 27.1.20 T4

Address offset: 0x570

End point of 5th piece wise linear function

| Bit number       | 31 | 30    | 29       | 28    | 27  | 26 | 25 | 24 | 23 | 22 | 21 | 20 | 19 | 18 | 17 | 16 | 15 | 14 | 13 | 12 | 11 | 10 | 9 | 8 | 7 | 6 | 5 | 4 | 3 | 2 | 1 | 0 |   |   |   |   |   |   |   |   |   |   |   |   |   |   |   |   |   |   |   |   |   |   |   |   |
|------------------|----|-------|----------|-------|---|----|----|----|----|----|----|----|----|----|----|----|----|----|----|----|----|----|---|---|---|---|---|---|---|---|---|---|---|---|---|---|---|---|---|---|---|---|---|---|---|---|---|---|---|---|---|---|---|---|---|---|
| Id               |    |       |          |       |   |    |    |    |    |    |    |    |    |    |    |    |    |    |    |    |    |    |   | A | A | A | A | A | A | A | A | A | A | A | A | A | A | A | A | A | A | A | A | A | A | A | A | A | A | A | A | A | A | A | A | A |
| Reset 0x00000050 | 0  | 0     | 0        | 0     | 0   | 0  | 0  | 0  | 0  | 0  | 0  | 0  | 0  | 0  | 0  | 0  | 0  | 0  | 0  | 0  | 0  | 0  | 0 | 0 | 0 | 0 | 0 | 0 | 0 | 0 | 0 | 0 | 1 | 0 | 1 | 0 | 0 | 0 |   |   |   |   |   |   |   |   |   |   |   |   |   |   |   |   |   |   |
| Id               | RW | Field | Value Id | Value | Description                                 |    |    |    |    |    |    |    |    |    |    |    |    |    |    |    |    |    |   |   |   |   |   |   |   |   |   |   |   |   |   |   |   |   |   |   |   |   |   |   |   |   |   |   |   |   |   |   |   |   |   |   |
| A                | RW | T4    |          |       | End point of 5th piece wise linear function |    |    |    |    |    |    |    |    |    |    |    |    |    |    |    |    |    |   |   |   |   |   |   |   |   |   |   |   |   |   |   |   |   |   |   |   |   |   |   |   |   |   |   |   |   |   |   |   |   |   |   |

## 27.2 Electrical specification

### 27.2.1 Temperature Sensor Electrical Specification

| Symbol           | Description   | Min. | Typ.    | Max. | Units       |
|------------------|---|------|---------|------|-------------|
| $t_{TEMP}$       | Time required for temperature measurement                 |      | 36      |      | $\mu s$     |
| $T_{TEMP,RANGE}$ | Temperature sensor range                                  | -40  |         | 85   | $^{\circ}C$ |
| $T_{TEMP,ACC}$   | Temperature sensor accuracy                               | -5   |         | 5    | $^{\circ}C$ |
| $T_{TEMP,RES}$   | Temperature sensor resolution                             |      | 0.25    |      | $^{\circ}C$ |
| $T_{TEMP,STB}$   | Sample to sample stability at constant device temperature |      | +/-0.25 |      | $^{\circ}C$ |
| $T_{TEMP,OFFST}$ | Sample offset at 25 $^{\circ}C$                           | -2.5 |         | 2.5  | $^{\circ}C$ |

## 28 ECB — AES electronic codebook mode encryption

The AES electronic codebook mode encryption (ECB) can be used for a range of cryptographic functions like hash generation, digital signatures, and keystream generation for data encryption/decryption. The ECB encryption block supports 128 bit AES encryption (encryption only, not decryption).

AES ECB operates with EasyDMA access to system Data RAM for in-place operations on cleartext and ciphertext during encryption. ECB uses the same AES core as the CCM and AAR blocks and is an asynchronous operation which may not complete if the AES core is busy.

AES ECB features:

- 128 bit AES encryption
- Supports standard AES ECB block encryption
- Memory pointer support
- DMA data transfer

AES ECB performs a 128 bit AES block encrypt. At the STARTECB task, data and key is loaded into the algorithm by EasyDMA. When output data has been written back to memory, the ENDECB event is triggered.

AES ECB can be stopped by triggering the STOPECB task.

### 28.1 Shared resources

The ECB, CCM, and AAR share the same AES module. The ECB will always have lowest priority and if there is a sharing conflict during encryption, the ECB operation will be aborted and an ERRORECB event will be generated.

### 28.2 EasyDMA

The ECB implements an EasyDMA mechanism for reading and writing to the Data RAM. This DMA cannot access the program memory or any other parts of the memory area except RAM.

If the ECBDATAPTR is not pointing to the Data RAM region, an EasyDMA transfer may result in a HardFault or RAM corruption. See [Memory](#) on page 23 for more information about the different memory regions.

The EasyDMA will have finished accessing the Data RAM when the ENDECB or ERRORECB is generated.

### 28.3 ECB data structure

Input to the block encrypt and output from the block encrypt are stored in the same data structure. ECBDATAPTR should point to this data structure before STARTECB is initiated.

**Table 53: ECB data structure overview**

| Property   | Address offset | Description                         |
|------------|----------------|-------------------------------------|
| KEY        | 0              | 16 byte AES key                     |
| CLEARTEXT  | 16             | 16 byte AES cleartext input block   |
| CIPHERTEXT | 32             | 16 byte AES ciphertext output block |





| Bit number       | 31 | 30    | 29       | 28    | 27            | 26 | 25 | 24 | 23 | 22 | 21 | 20 | 19 | 18 | 17 | 16 | 15 | 14 | 13 | 12 | 11 | 10 | 9 | 8 | 7 | 6 | 5 | 4 | 3 | 2 | 1 | 0 |   |   |
|------------------|----|-------|----------|-------|---------------|----|----|----|----|----|----|----|----|----|----|----|----|----|----|----|----|----|---|---|---|---|---|---|---|---|---|---|---|---|
| Id               |    |       |          |       |               |    |    |    |    |    |    |    |    |    |    |    |    |    |    |    |    |    |   |   |   |   |   |   |   |   |   | B | A |   |
| Reset 0x00000000 | 0  | 0     | 0        | 0     | 0             | 0  | 0  | 0  | 0  | 0  | 0  | 0  | 0  | 0  | 0  | 0  | 0  | 0  | 0  | 0  | 0  | 0  | 0 | 0 | 0 | 0 | 0 | 0 | 0 | 0 | 0 | 0 | 0 | 0 |
| Id               | RW | Field | Value Id | Value | Description   |    |    |    |    |    |    |    |    |    |    |    |    |    |    |    |    |    |   |   |   |   |   |   |   |   |   |   |   |   |
|                  |    |       | Enabled  | 1     | Read: Enabled |    |    |    |    |    |    |    |    |    |    |    |    |    |    |    |    |    |   |   |   |   |   |   |   |   |   |   |   |   |

### 28.4.3 ECBDATAPTR

Address offset: 0x504

ECB block encrypt memory pointers

| Bit number       | 31 | 30         | 29       | 28    | 27  | 26 | 25 | 24 | 23 | 22 | 21 | 20 | 19 | 18 | 17 | 16 | 15 | 14 | 13 | 12 | 11 | 10 | 9 | 8 | 7 | 6 | 5 | 4 | 3 | 2 | 1 | 0 |
|------------------|----|------------|----------|-------|---|----|----|----|----|----|----|----|----|----|----|----|----|----|----|----|----|----|---|---|---|---|---|---|---|---|---|---|
| Id               | A  | A          | A        | A     | A   | A  | A  | A  | A  | A  | A  | A  | A  | A  | A  | A  | A  | A  | A  | A  | A  | A  | A | A | A | A | A | A | A | A | A | A |
| Reset 0x00000000 | 0  | 0          | 0        | 0     | 0   | 0  | 0  | 0  | 0  | 0  | 0  | 0  | 0  | 0  | 0  | 0  | 0  | 0  | 0  | 0  | 0  | 0  | 0 | 0 | 0 | 0 | 0 | 0 | 0 | 0 | 0 | 0 |
| Id               | RW | Field      | Value Id | Value | Description   |    |    |    |    |    |    |    |    |    |    |    |    |    |    |    |    |    |   |   |   |   |   |   |   |   |   |   |
| A                | RW | ECBDATAPTR |          |       | Pointer to the ECB data structure (see Table 1 ECB data structure overview) |    |    |    |    |    |    |    |    |    |    |    |    |    |    |    |    |    |   |   |   |   |   |   |   |   |   |   |

## 28.5 Electrical specification

### 28.5.1 ECB Electrical Specification

| Symbol           | Description                             | Min. | Typ. | Max. | Units |
|------------------|---|------|------|------|-------|
| t <sub>ECB</sub> | Run time per 16 byte block in all modes |      | 6    |      | μs    |

## 29 CCM — AES CCM mode encryption

Cipher block chaining - message authentication code (CCM) mode is an authenticated encryption algorithm designed to provide both authentication and confidentiality during data transfer. CCM combines counter mode encryption and CBC-MAC authentication. The CCM terminology "Message authentication code (MAC)" is called the "Message integrity check (MIC)" in *Bluetooth* terminology and also in this document.

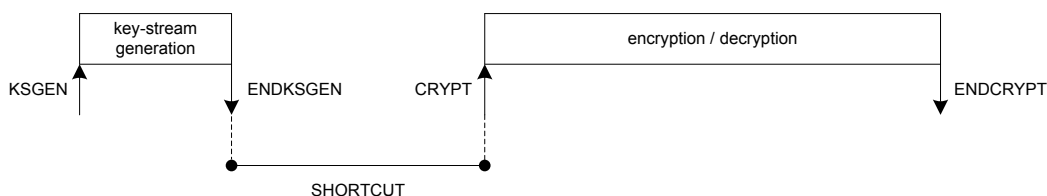
The CCM block generates an encrypted keystream that is applied to input data using the XOR operation and generates the 4 byte MIC field in one operation. The CCM and radio can be configured to work synchronously. The CCM will encrypt in time for transmission and decrypt after receiving bytes into memory from the Radio. All operations can complete within the packet RX or TX time. CCM on this device is implemented according to *Bluetooth* requirements and the algorithm as defined in IETF [RFC3610](#), and depends on the AES-128 block cipher. A description of the CCM algorithm can also be found in [NIST Special Publication 800-38C](#). The *Bluetooth* specification describes the configuration of counter mode blocks and encryption blocks to implement compliant encryption for BLE.

The CCM block uses EasyDMA to load key, counter mode blocks (including the nonce required), and to read/write plain text and cipher text.

The AES CCM supports three operations: key-stream generation, packet encryption, and packet decryption. All these operations are done in compliance with the *Bluetooth* specification.<sup>23</sup> A new key-stream must be generated before a new packet encryption or packet decryption operation can be started.

A key-stream is generated by triggering the KSGEN task. An ENDKSGEN event will be generated when the new key-stream has been generated. The key-stream will be stored in the AES CCM's temporary memory area, specified by the SCRATCHPTR, where it will be used in subsequent encryption and decryption operations.

Encryption is started by triggering the CRYPT task with the MODE register set to ENCRYPTION. Similarly, decryption is started by triggering the same task with MODE set to DECRYPTION. An ENDCRYPT event will be generated when packet encryption is completed as well as when packet decryption is completed, see [Figure 59: Key-stream generation followed by encryption or decryption. The shortcut is optional.](#) on page 267.



**Figure 59: Key-stream generation followed by encryption or decryption. The shortcut is optional.**

Key-stream generation, packet encryption, and packet decryption operations utilize the configuration specified in the data structure pointed to by the CNFPTR pointer. It is necessary to configure this pointer and its underlying data structure, and the MODE register before the KSGEN task is triggered. It is also necessary to configure the INPTR pointer and the OUTPTR pointer before the CRYPT task is triggered.

If a shortcut is used between ENDKSGEN event and CRYPT task, the INPTR pointer and the OUTPTR pointer must be configured before the KSGEN task is triggered.

The AES CCM supports different packet lengths, this is configured via the PACKETLENGTH field in the MODE register.

<sup>23</sup> *Bluetooth* AES CCM 128 bit block encryption, see *Bluetooth* Core specification Version 4.0.

## 29.1 Shared resources

The CCM shares registers and other resources with other peripherals that have the same ID as the CCM. The user must therefore disable all peripherals that have the same ID as the CCM before the CCM can be configured and used.

Disabling a peripheral that have the same ID as the CCM will not reset any of the registers that are shared with the CCM. It is therefore important to configure all relevant CCM registers explicitly to secure that it operates correctly.

See the Instantiation table in [Instantiation](#) on page 24 for details on peripherals and their IDs.

## 29.2 Encryption

During packet encryption, the AES CCM will read the unencrypted packet located in RAM at the address specified in the INPTR pointer, encrypt the packet and append a four byte long Message Integrity Check (MIC) field to the packet.

The AES CCM will also modify the length field of the packet to adjust for the appended MIC field, that is, add four bytes to the length, and store the resulting packet back into RAM at the address specified in the OUTPTR pointer, see [Figure 60: Encryption](#) on page 268.

Empty packets (length field is set to 0) will not be encrypted but instead moved unmodified through the AES CCM.



**Figure 60: Encryption**

## 29.3 Decryption

During packet decryption, the AES CCM will read the encrypted packet located in RAM at the address specified in the INPTR pointer, decrypt the packet, authenticate the packet's MIC field and generate the appropriate MIC status.

The AES CCM will also modify the length field of the packet to adjust for the MIC field, that is, subtract four bytes from the length, and then store the decrypted packet into RAM at the address pointed to by the OUTPTR pointer, see [Figure 61: Decryption](#) on page 269.

The CCM is only able to decrypt packets that are at least 5 bytes long, that is, 1 byte or more encrypted payload (EPL) and 4 bytes of MIC. The CCM will therefore generate a MIC error for packets where the length field is set to 1, 2, 3 or 4.

Empty packets (length field is set to 0) will not be decrypted but instead moved unmodified through the AES CCM, these packets will always pass the MIC check.



Figure 61: Decryption

## 29.4 AES CCM and RADIO concurrent operation

The AES CCM is designed to run in parallel with the RADIO to enable on-the-fly encryption and decryption of RADIO packets without CPU involvement. To facilitate this, the RADIO has to be configured with specific settings.

Table 56: Radio configuration settings

| Radio parameter | Value     | Description   |
|-----------------|-----------|---|
| PCNF0.SOLEN     | 1         | Length of HEADER field in: <a href="#">Table 58: Data structure for unencrypted packet</a> on page 271 and <a href="#">Table 59: Data structure for encrypted packet</a> on page 271.   |
| PCNF0.LFLEN     | 5 or 8    | Length of LENGTH field in: <a href="#">Table 58: Data structure for unencrypted packet</a> on page 271 and <a href="#">Table 59: Data structure for encrypted packet</a> on page 271.   |
| PCNF0.S1LEN     | 3 or 0    | Length of the RFU field in: <a href="#">Table 58: Data structure for unencrypted packet</a> on page 271 and <a href="#">Table 59: Data structure for encrypted packet</a> on page 271. The combined length of LENGTH and RFU must always be 8 bit.  |
| PCNF0.S1        | Include   | Always include the S1 field (RFU field) in RAM to secure that the same data structure can be used for PCNF0.S1LEN = 3 and PCNF0.S1LEN = 0: <a href="#">Table 58: Data structure for unencrypted packet</a> on page 271 and <a href="#">Table 59: Data structure for encrypted packet</a> on page 271. |
| MODE            | Ble_1Mbit | Data rate. Must match CCM->MODE.DATARATE  |
| PCNF1.BALEN     | 3         | Length of address (32 bit)  |
| CRCCNF.LEN      | 3         | Length of CRC (24 bit)  |

## 29.5 Encrypting packets on-the-fly in radio transmit mode

When the AES CCM is encrypting a packet on-the-fly at the same time as the RADIO is transmitting it, the RADIO must read the encrypted packet from the same memory location as the AES CCM is writing to.

The OUTPTR pointer in the AES CCM must therefore point to the same memory location as the PACKETPTR pointer in the RADIO, see [Figure 62: Configuration of on-the-fly encryption](#) on page 269.



Figure 62: Configuration of on-the-fly encryption

In order to match the RADIO's timing, the KSGEN task must be triggered no later than when the START task in the RADIO is triggered, in addition the shortcut between the ENDKSGEN event and the CRYPT task must be enabled. This use-case is illustrated in [Figure 63: On-the-fly encryption using a PPI connection](#) on page 270 using a PPI connection between the READY event in the RADIO and the KSGEN task in the AES CCM.

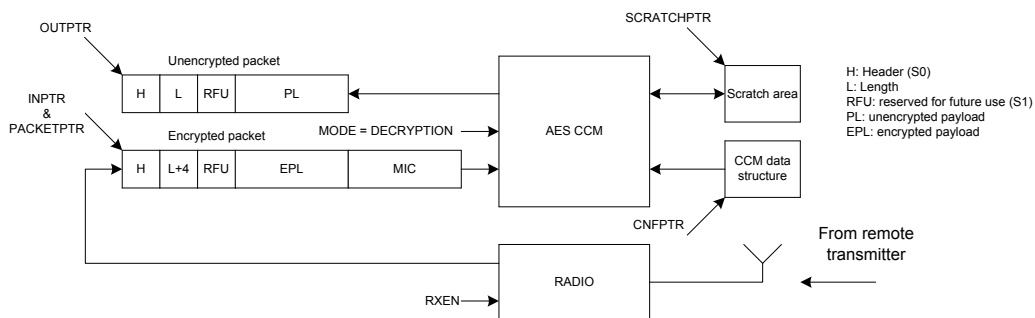


**Figure 63: On-the-fly encryption using a PPI connection**

## 29.6 Decrypting packets on-the-fly in radio receive mode

When the AES CCM is decrypting a packet on-the-fly at the same time as the RADIO is receiving it, the AES CCM must read the encrypted packet from the same memory location as the RADIO is writing to.

The INPTR pointer in the AES CCM must therefore point to the same memory location as the PACKETPTR pointer in the RADIO, see [Figure 64: Configuration of on-the-fly decryption](#) on page 270.



**Figure 64: Configuration of on-the-fly decryption**

In order to match the RADIO's timing, the KSGEN task must be triggered no later than when the START task in the RADIO is triggered. In addition, the CRYPT task must be triggered no earlier than when the ADDRESS event is generated by the RADIO.

If the CRYPT task is triggered exactly at the same time as the ADDRESS event is generated by the RADIO, the AES CCM will guarantee that the decryption is completed no later than when the END event in the RADIO is generated.

This use-case is illustrated in [Figure 65: On-the-fly decryption using a PPI connection between the READY event in the RADIO and the KSGEN task in the AES CCM](#) on page 271 using a PPI connection between the ADDRESS event in the RADIO and the CRYPT task in the AES CCM. The KSGEN task is triggered from the READY event in the RADIO through a PPI connection.



**Figure 65: On-the-fly decryption using a PPI connection between the READY event in the RADIO and the KSGEN task in the AES CCM**

## 29.7 CCM data structure

The CCM data structure is located in Data RAM at the memory location specified by the CNFPTR pointer register.

**Table 57: CCM data structure overview**

| Property | Address offset | Description  |
|----------|----------------|--|
| KEY      | 0              | 16 byte AES key  |
| PKTCTR   | 16             | Octet0 (LSO) of packet counter   |
|          | 17             | Octet1 of packet counter   |
|          | 18             | Octet2 of packet counter   |
|          | 19             | Octet3 of packet counter   |
|          | 20             | Bit 6 – Bit 0: Octet4 (7 most significant bits of packet counter, with Bit 6 being the most significant bit) Bit7: Ignored |
|          | 21             | Ignored  |
|          | 22             | Ignored  |
|          | 23             | Ignored  |
|          | 24             | Bit 0: Direction bit Bit 7 – Bit 1: Zero padded  |
| IV       | 25             | 8 byte initialization vector (IV) Octet0 (LSO) of IV, Octet1 of IV, ..., Octet7 (MSO) of IV                                |

The NONCE vector (as specified by the *Bluetooth* Core Specification) will be generated by hardware based on the information specified in the CCM data structure from [Table 57: CCM data structure overview](#) on page 271 .

**Table 58: Data structure for unencrypted packet**

| Property | Address offset | Description                            |
|----------|----------------|--|
| HEADER   | 0              | Packet Header                          |
| LENGTH   | 1              | Number of bytes in unencrypted payload |
| RFU      | 2              | Reserved Future Use                    |
| PAYLOAD  | 3              | Unencrypted payload                    |

**Table 59: Data structure for encrypted packet**

| Property | Address offset     | Description  |
|----------|--------------------|--|
| HEADER   | 0                  | Packet Header  |
| LENGTH   | 1                  | Number of bytes in encrypted payload including length of MIC<br><b>Important:</b> LENGTH will be 0 for empty packets since the MIC is not added to empty packets |
| RFU      | 2                  | Reserved Future Use  |
| PAYLOAD  | 3                  | Encrypted payload  |
| MIC      | 3 + payload length | ENCRYPT: 4 bytes encrypted MIC   |

| Property  | Address offset | Description |
|---|----------------|-------------|
| <b>Important:</b> MIC is not added to empty packets |                |             |

## 29.8 EasyDMA and ERROR event

The CCM implements an EasyDMA mechanism for reading and writing to the RAM.

In some scenarios where the CPU and other DMA enabled peripherals are accessing the RAM at the same time, the CCM DMA could experience some bus conflicts which may also result in an error during encryption. If this happens, the ERROR event will be generated.

The EasyDMA will have finished accessing the RAM when the ENDKSGEN and ENDCRYPT events are generated.

If the CNFPTR, SCRATCHPTR, INPTR and the OUTPTR are not pointing to the Data RAM region, an EasyDMA transfer may result in a HardFault or RAM corruption. See [Memory](#) on page 23 for more information about the different memory regions.

## 29.9 Registers

**Table 60: Instances**

| Base address | Peripheral | Instance | Description             | Configuration |
|--------------|------------|----------|-------------------------|---------------|
| 0x4000F000   | CCM        | CCM      | AES CCM Mode Encryption |               |

**Table 61: Register Overview**

| Register          | Offset | Description  |
|-------------------|--------|--|
| TASKS_KSGEN       | 0x000  | Start generation of key-stream. This operation will stop by itself when completed. |
| TASKS_CRYPT       | 0x004  | Start encryption/decryption. This operation will stop by itself when completed.    |
| TASKS_STOP        | 0x008  | Stop encryption/decryption   |
| EVENTS_ENDKSGEN   | 0x100  | Key-stream generation complete   |
| EVENTS_ENDCRYPT   | 0x104  | Encrypt/decrypt complete   |
| EVENTS_ERROR      | 0x108  | CCM error event  |
| <i>SHORTS</i>     | 0x200  | Shortcut register  |
| <i>INTENSET</i>   | 0x304  | Enable interrupt   |
| <i>INTENCLR</i>   | 0x308  | Disable interrupt  |
| <i>MICSTATUS</i>  | 0x400  | MIC check result   |
| <i>ENABLE</i>     | 0x500  | Enable   |
| <i>MODE</i>       | 0x504  | Operation mode   |
| <i>CNFPTR</i>     | 0x508  | Pointer to data structure holding AES key and NONCE vector                         |
| <i>INPTR</i>      | 0x50C  | Input pointer  |
| <i>OUTPTR</i>     | 0x510  | Output pointer   |
| <i>SCRATCHPTR</i> | 0x514  | Pointer to data area used for temporary storage                                    |

### 29.9.1 SHORTS

Address offset: 0x200

Shortcut register

|                  |    |    |    |    |    |    |    |    |    |    |    |    |    |    |    |    |    |    |    |    |    |    |   |   |   |   |   |   |   |   |   |   |   |
|------------------|----|----|----|----|----|----|----|----|----|----|----|----|----|----|----|----|----|----|----|----|----|----|---|---|---|---|---|---|---|---|---|---|---|
| Bit number       | 31 | 30 | 29 | 28 | 27 | 26 | 25 | 24 | 23 | 22 | 21 | 20 | 19 | 18 | 17 | 16 | 15 | 14 | 13 | 12 | 11 | 10 | 9 | 8 | 7 | 6 | 5 | 4 | 3 | 2 | 1 | 0 |   |
| Id               |    |    |    |    |    |    |    |    |    |    |    |    |    |    |    |    |    |    |    |    |    |    |   |   |   |   |   |   |   |   |   |   | A |
| Reset 0x00000000 | 0  | 0  | 0  | 0  | 0  | 0  | 0  | 0  | 0  | 0  | 0  | 0  | 0  | 0  | 0  | 0  | 0  | 0  | 0  | 0  | 0  | 0  | 0 | 0 | 0 | 0 | 0 | 0 | 0 | 0 | 0 | 0 | 0 |

| Id | RW | Field          | Value Id | Value | Description                                    |
|----|----|----------------|----------|-------|--|
| A  | RW | ENDKSGEN_CRYPT |          |       | Shortcut between ENDKSGEN event and CRYPT task |
|    |    |                | Disabled | 0     | Disable shortcut                               |
|    |    |                | Enabled  | 1     | Enable shortcut                                |

See [EVENTS\\_ENDKSGEN](#) and [TASKS\\_CRYPT](#)



### 29.9.2 INTENSET

Address offset: 0x304

Enable interrupt

| Bit number       | 31 30 29 28 27 26 25 24 23 22 21 20 19 18 17 16 15 14 13 12 11 10 9 8 7 6 5 4 3 2 1 0 |          |          |    |       |  |  |  |  |  |  |  |  |  |  |  |  |  |  |  |  |  |  |  |  |  |  |  |  |   |   |   |
|------------------|---|----------|----------|----|-------|--|--|--|--|--|--|--|--|--|--|--|--|--|--|--|--|--|--|--|--|--|--|--|--|---|---|---|
| Id               |   |          |          |    |       |  |  |  |  |  |  |  |  |  |  |  |  |  |  |  |  |  |  |  |  |  |  |  |  | C | B | A |
| Reset 0x00000000 | 0             |          |          |    |       |  |  |  |  |  |  |  |  |  |  |  |  |  |  |  |  |  |  |  |  |  |  |  |  |   |   |   |
| Id               | RW  | Field    | Value    | Id | Value | Description                                      |  |  |  |  |  |  |  |  |  |  |  |  |  |  |  |  |  |  |  |  |  |  |  |   |   |   |
| A                | RW  | ENDKSGEN |          |    |       | Write '1' to Enable interrupt for ENDKSGEN event |  |  |  |  |  |  |  |  |  |  |  |  |  |  |  |  |  |  |  |  |  |  |  |   |   |   |
|                  |   |          |          |    |       | See <a href="#">EVENTS_ENDKSGEN</a>              |  |  |  |  |  |  |  |  |  |  |  |  |  |  |  |  |  |  |  |  |  |  |  |   |   |   |
|                  |   |          | Set      | 1  | 1     | Enable   |  |  |  |  |  |  |  |  |  |  |  |  |  |  |  |  |  |  |  |  |  |  |  |   |   |   |
|                  |   |          | Disabled | 0  | 0     | Read: Disabled                                   |  |  |  |  |  |  |  |  |  |  |  |  |  |  |  |  |  |  |  |  |  |  |  |   |   |   |
|                  |   |          | Enabled  | 1  | 1     | Read: Enabled                                    |  |  |  |  |  |  |  |  |  |  |  |  |  |  |  |  |  |  |  |  |  |  |  |   |   |   |
| B                | RW  | ENDCRYPT |          |    |       | Write '1' to Enable interrupt for ENDCRYPT event |  |  |  |  |  |  |  |  |  |  |  |  |  |  |  |  |  |  |  |  |  |  |  |   |   |   |
|                  |   |          |          |    |       | See <a href="#">EVENTS_ENDCRYPT</a>              |  |  |  |  |  |  |  |  |  |  |  |  |  |  |  |  |  |  |  |  |  |  |  |   |   |   |
|                  |   |          | Set      | 1  | 1     | Enable   |  |  |  |  |  |  |  |  |  |  |  |  |  |  |  |  |  |  |  |  |  |  |  |   |   |   |
|                  |   |          | Disabled | 0  | 0     | Read: Disabled                                   |  |  |  |  |  |  |  |  |  |  |  |  |  |  |  |  |  |  |  |  |  |  |  |   |   |   |
|                  |   |          | Enabled  | 1  | 1     | Read: Enabled                                    |  |  |  |  |  |  |  |  |  |  |  |  |  |  |  |  |  |  |  |  |  |  |  |   |   |   |
| C                | RW  | ERROR    |          |    |       | Write '1' to Enable interrupt for ERROR event    |  |  |  |  |  |  |  |  |  |  |  |  |  |  |  |  |  |  |  |  |  |  |  |   |   |   |
|                  |   |          |          |    |       | See <a href="#">EVENTS_ERROR</a>                 |  |  |  |  |  |  |  |  |  |  |  |  |  |  |  |  |  |  |  |  |  |  |  |   |   |   |
|                  |   |          | Set      | 1  | 1     | Enable   |  |  |  |  |  |  |  |  |  |  |  |  |  |  |  |  |  |  |  |  |  |  |  |   |   |   |
|                  |   |          | Disabled | 0  | 0     | Read: Disabled                                   |  |  |  |  |  |  |  |  |  |  |  |  |  |  |  |  |  |  |  |  |  |  |  |   |   |   |
|                  |   |          | Enabled  | 1  | 1     | Read: Enabled                                    |  |  |  |  |  |  |  |  |  |  |  |  |  |  |  |  |  |  |  |  |  |  |  |   |   |   |

### 29.9.3 INTENCLR

Address offset: 0x308

Disable interrupt

| Bit number       | 31 30 29 28 27 26 25 24 23 22 21 20 19 18 17 16 15 14 13 12 11 10 9 8 7 6 5 4 3 2 1 0 |          |          |    |       |   |  |  |  |  |  |  |  |  |  |  |  |  |  |  |  |  |  |  |  |  |  |  |  |   |   |   |
|------------------|---|----------|----------|----|-------|---|--|--|--|--|--|--|--|--|--|--|--|--|--|--|--|--|--|--|--|--|--|--|--|---|---|---|
| Id               |   |          |          |    |       |   |  |  |  |  |  |  |  |  |  |  |  |  |  |  |  |  |  |  |  |  |  |  |  | C | B | A |
| Reset 0x00000000 | 0             |          |          |    |       |   |  |  |  |  |  |  |  |  |  |  |  |  |  |  |  |  |  |  |  |  |  |  |  |   |   |   |
| Id               | RW  | Field    | Value    | Id | Value | Description                                       |  |  |  |  |  |  |  |  |  |  |  |  |  |  |  |  |  |  |  |  |  |  |  |   |   |   |
| A                | RW  | ENDKSGEN |          |    |       | Write '1' to Disable interrupt for ENDKSGEN event |  |  |  |  |  |  |  |  |  |  |  |  |  |  |  |  |  |  |  |  |  |  |  |   |   |   |
|                  |   |          |          |    |       | See <a href="#">EVENTS_ENDKSGEN</a>               |  |  |  |  |  |  |  |  |  |  |  |  |  |  |  |  |  |  |  |  |  |  |  |   |   |   |
|                  |   |          | Clear    | 1  | 1     | Disable   |  |  |  |  |  |  |  |  |  |  |  |  |  |  |  |  |  |  |  |  |  |  |  |   |   |   |
|                  |   |          | Disabled | 0  | 0     | Read: Disabled                                    |  |  |  |  |  |  |  |  |  |  |  |  |  |  |  |  |  |  |  |  |  |  |  |   |   |   |
|                  |   |          | Enabled  | 1  | 1     | Read: Enabled                                     |  |  |  |  |  |  |  |  |  |  |  |  |  |  |  |  |  |  |  |  |  |  |  |   |   |   |
| B                | RW  | ENDCRYPT |          |    |       | Write '1' to Disable interrupt for ENDCRYPT event |  |  |  |  |  |  |  |  |  |  |  |  |  |  |  |  |  |  |  |  |  |  |  |   |   |   |
|                  |   |          |          |    |       | See <a href="#">EVENTS_ENDCRYPT</a>               |  |  |  |  |  |  |  |  |  |  |  |  |  |  |  |  |  |  |  |  |  |  |  |   |   |   |
|                  |   |          | Clear    | 1  | 1     | Disable   |  |  |  |  |  |  |  |  |  |  |  |  |  |  |  |  |  |  |  |  |  |  |  |   |   |   |
|                  |   |          | Disabled | 0  | 0     | Read: Disabled                                    |  |  |  |  |  |  |  |  |  |  |  |  |  |  |  |  |  |  |  |  |  |  |  |   |   |   |
|                  |   |          | Enabled  | 1  | 1     | Read: Enabled                                     |  |  |  |  |  |  |  |  |  |  |  |  |  |  |  |  |  |  |  |  |  |  |  |   |   |   |
| C                | RW  | ERROR    |          |    |       | Write '1' to Disable interrupt for ERROR event    |  |  |  |  |  |  |  |  |  |  |  |  |  |  |  |  |  |  |  |  |  |  |  |   |   |   |
|                  |   |          |          |    |       | See <a href="#">EVENTS_ERROR</a>                  |  |  |  |  |  |  |  |  |  |  |  |  |  |  |  |  |  |  |  |  |  |  |  |   |   |   |
|                  |   |          | Clear    | 1  | 1     | Disable   |  |  |  |  |  |  |  |  |  |  |  |  |  |  |  |  |  |  |  |  |  |  |  |   |   |   |
|                  |   |          | Disabled | 0  | 0     | Read: Disabled                                    |  |  |  |  |  |  |  |  |  |  |  |  |  |  |  |  |  |  |  |  |  |  |  |   |   |   |
|                  |   |          | Enabled  | 1  | 1     | Read: Enabled                                     |  |  |  |  |  |  |  |  |  |  |  |  |  |  |  |  |  |  |  |  |  |  |  |   |   |   |

### 29.9.4 MICSTATUS

Address offset: 0x400

MIC check result

| Bit number       | 31  | 30        | 29          | 28    | 27   | 26 | 25 | 24 | 23 | 22 | 21 | 20 | 19 | 18 | 17 | 16 | 15 | 14 | 13 | 12 | 11 | 10 | 9 | 8 | 7 | 6 | 5 | 4 | 3 | 2 | 1 | 0 |
|------------------|---|-----------|-------------|-------|--|----|----|----|----|----|----|----|----|----|----|----|----|----|----|----|----|----|---|---|---|---|---|---|---|---|---|---|
| Id               |   |           |             |       |  |    |    |    |    |    |    |    |    |    |    |    |    |    |    |    |    |    |   |   |   |   |   |   |   |   |   | A |
| Reset 0x00000000 | 0 |           |             |       |  |    |    |    |    |    |    |    |    |    |    |    |    |    |    |    |    |    |   |   |   |   |   |   |   |   |   |   |
| Id               | RW  | Field     | Value Id    | Value | Description  |    |    |    |    |    |    |    |    |    |    |    |    |    |    |    |    |    |   |   |   |   |   |   |   |   |   |   |
| A                | R   | MICSTATUS |             |       | The result of the MIC check performed during the previous decryption operation |    |    |    |    |    |    |    |    |    |    |    |    |    |    |    |    |    |   |   |   |   |   |   |   |   |   |   |
|                  |   |           | CheckFailed | 0     | MIC check failed   |    |    |    |    |    |    |    |    |    |    |    |    |    |    |    |    |    |   |   |   |   |   |   |   |   |   |   |
|                  |   |           | CheckPassed | 1     | MIC check passed   |    |    |    |    |    |    |    |    |    |    |    |    |    |    |    |    |    |   |   |   |   |   |   |   |   |   |   |

### 29.9.5 ENABLE

Address offset: 0x500

Enable

| Bit number       | 31  | 30     | 29       | 28    | 27                    | 26 | 25 | 24 | 23 | 22 | 21 | 20 | 19 | 18 | 17 | 16 | 15 | 14 | 13 | 12 | 11 | 10 | 9 | 8 | 7 | 6 | 5 | 4 | 3 | 2 | 1 | 0 |   |
|------------------|---|--------|----------|-------|-----------------------|----|----|----|----|----|----|----|----|----|----|----|----|----|----|----|----|----|---|---|---|---|---|---|---|---|---|---|---|
| Id               |   |        |          |       |                       |    |    |    |    |    |    |    |    |    |    |    |    |    |    |    |    |    |   |   |   |   |   |   |   |   |   | A | A |
| Reset 0x00000000 | 0 |        |          |       |                       |    |    |    |    |    |    |    |    |    |    |    |    |    |    |    |    |    |   |   |   |   |   |   |   |   |   |   |   |
| Id               | RW  | Field  | Value Id | Value | Description           |    |    |    |    |    |    |    |    |    |    |    |    |    |    |    |    |    |   |   |   |   |   |   |   |   |   |   |   |
| A                | RW  | ENABLE |          |       | Enable or disable CCM |    |    |    |    |    |    |    |    |    |    |    |    |    |    |    |    |    |   |   |   |   |   |   |   |   |   |   |   |
|                  |   |        | Disabled | 0     | Disable               |    |    |    |    |    |    |    |    |    |    |    |    |    |    |    |    |    |   |   |   |   |   |   |   |   |   |   |   |
|                  |   |        | Enabled  | 2     | Enable                |    |    |    |    |    |    |    |    |    |    |    |    |    |    |    |    |    |   |   |   |   |   |   |   |   |   |   |   |

### 29.9.6 MODE

Address offset: 0x504

Operation mode

| Bit number       | 31  | 30       | 29         | 28    | 27   | 26 | 25 | 24 | 23 | 22 | 21 | 20 | 19 | 18 | 17 | 16 | 15 | 14 | 13 | 12 | 11 | 10 | 9 | 8 | 7 | 6 | 5 | 4 | 3 | 2 | 1 | 0 |
|------------------|---|----------|------------|-------|--|----|----|----|----|----|----|----|----|----|----|----|----|----|----|----|----|----|---|---|---|---|---|---|---|---|---|---|
| Id               |   |          |            |       |  |    |    |    |    |    | C  |    |    |    |    |    |    |    |    |    |    | B  |   |   |   |   |   |   |   | A |   |   |
| Reset 0x00000001 | 0 1 |          |            |       |  |    |    |    |    |    |    |    |    |    |    |    |    |    |    |    |    |    |   |   |   |   |   |   |   |   |   |   |
| Id               | RW  | Field    | Value Id   | Value | Description  |    |    |    |    |    |    |    |    |    |    |    |    |    |    |    |    |    |   |   |   |   |   |   |   |   |   |   |
| A                | RW  | MODE     |            |       | The mode of operation to be used                           |    |    |    |    |    |    |    |    |    |    |    |    |    |    |    |    |    |   |   |   |   |   |   |   |   |   |   |
|                  |   |          | Encryption | 0     | AES CCM packet encryption mode                             |    |    |    |    |    |    |    |    |    |    |    |    |    |    |    |    |    |   |   |   |   |   |   |   |   |   |   |
|                  |   |          | Decryption | 1     | AES CCM packet decryption mode                             |    |    |    |    |    |    |    |    |    |    |    |    |    |    |    |    |    |   |   |   |   |   |   |   |   |   |   |
| B                | RW  | DATARATE |            |       | Data rate that the CCM shall run in synch with             |    |    |    |    |    |    |    |    |    |    |    |    |    |    |    |    |    |   |   |   |   |   |   |   |   |   |   |
|                  |   |          | 1Mbit      | 0     | In synch with 1 Mbit data rate                             |    |    |    |    |    |    |    |    |    |    |    |    |    |    |    |    |    |   |   |   |   |   |   |   |   |   |   |
|                  |   |          | 2Mbit      | 1     | In synch with 2 Mbit data rate                             |    |    |    |    |    |    |    |    |    |    |    |    |    |    |    |    |    |   |   |   |   |   |   |   |   |   |   |
| C                | RW  | LENGTH   |            |       | Packet length configuration                                |    |    |    |    |    |    |    |    |    |    |    |    |    |    |    |    |    |   |   |   |   |   |   |   |   |   |   |
|                  |   |          | Default    | 0     | Default length. Effective length of LENGTH field is 5-bit  |    |    |    |    |    |    |    |    |    |    |    |    |    |    |    |    |    |   |   |   |   |   |   |   |   |   |   |
|                  |   |          | Extended   | 1     | Extended length. Effective length of LENGTH field is 8-bit |    |    |    |    |    |    |    |    |    |    |    |    |    |    |    |    |    |   |   |   |   |   |   |   |   |   |   |

### 29.9.7 CNFPTR

Address offset: 0x508

Pointer to data structure holding AES key and NONCE vector

| Bit number       | 31  | 30     | 29       | 28    | 27   | 26 | 25 | 24 | 23 | 22 | 21 | 20 | 19 | 18 | 17 | 16 | 15 | 14 | 13 | 12 | 11 | 10 | 9 | 8 | 7 | 6 | 5 | 4 | 3 | 2 | 1 | 0 |
|------------------|---|--------|----------|-------|--|----|----|----|----|----|----|----|----|----|----|----|----|----|----|----|----|----|---|---|---|---|---|---|---|---|---|---|
| Id               | A   | A      | A        | A     | A  | A  | A  | A  | A  | A  | A  | A  | A  | A  | A  | A  | A  | A  | A  | A  | A  | A  | A | A | A | A | A | A | A | A | A | A |
| Reset 0x00000000 | 0 |        |          |       |  |    |    |    |    |    |    |    |    |    |    |    |    |    |    |    |    |    |   |   |   |   |   |   |   |   |   |   |
| Id               | RW  | Field  | Value Id | Value | Description  |    |    |    |    |    |    |    |    |    |    |    |    |    |    |    |    |    |   |   |   |   |   |   |   |   |   |   |
| A                | RW  | CNFPTR |          |       | Pointer to the data structure holding the AES key and the CCM NONCE vector (see Table 1 CCM data structure overview) |    |    |    |    |    |    |    |    |    |    |    |    |    |    |    |    |    |   |   |   |   |   |   |   |   |   |   |

### 29.9.8 INPTR

Address offset: 0x50C

Input pointer

| Bit number       | 31 | 30    | 29       | 28    | 27            | 26 | 25 | 24 | 23 | 22 | 21 | 20 | 19 | 18 | 17 | 16 | 15 | 14 | 13 | 12 | 11 | 10 | 9 | 8 | 7 | 6 | 5 | 4 | 3 | 2 | 1 | 0 |
|------------------|----|-------|----------|-------|---------------|----|----|----|----|----|----|----|----|----|----|----|----|----|----|----|----|----|---|---|---|---|---|---|---|---|---|---|
| Id               | A  | A     | A        | A     | A             | A  | A  | A  | A  | A  | A  | A  | A  | A  | A  | A  | A  | A  | A  | A  | A  | A  | A | A | A | A | A | A | A | A | A | A |
| Reset 0x00000000 | 0  | 0     | 0        | 0     | 0             | 0  | 0  | 0  | 0  | 0  | 0  | 0  | 0  | 0  | 0  | 0  | 0  | 0  | 0  | 0  | 0  | 0  | 0 | 0 | 0 | 0 | 0 | 0 | 0 | 0 | 0 | 0 |
| Id               | RW | Field | Value Id | Value | Description   |    |    |    |    |    |    |    |    |    |    |    |    |    |    |    |    |    |   |   |   |   |   |   |   |   |   |   |
| A                | RW | INPTR |          |       | Input pointer |    |    |    |    |    |    |    |    |    |    |    |    |    |    |    |    |    |   |   |   |   |   |   |   |   |   |   |

### 29.9.9 OUTPTR

Address offset: 0x510

Output pointer

| Bit number       | 31 | 30     | 29       | 28    | 27             | 26 | 25 | 24 | 23 | 22 | 21 | 20 | 19 | 18 | 17 | 16 | 15 | 14 | 13 | 12 | 11 | 10 | 9 | 8 | 7 | 6 | 5 | 4 | 3 | 2 | 1 | 0 |
|------------------|----|--------|----------|-------|----------------|----|----|----|----|----|----|----|----|----|----|----|----|----|----|----|----|----|---|---|---|---|---|---|---|---|---|---|
| Id               | A  | A      | A        | A     | A              | A  | A  | A  | A  | A  | A  | A  | A  | A  | A  | A  | A  | A  | A  | A  | A  | A  | A | A | A | A | A | A | A | A | A |   |
| Reset 0x00000000 | 0  | 0      | 0        | 0     | 0              | 0  | 0  | 0  | 0  | 0  | 0  | 0  | 0  | 0  | 0  | 0  | 0  | 0  | 0  | 0  | 0  | 0  | 0 | 0 | 0 | 0 | 0 | 0 | 0 | 0 | 0 |   |
| Id               | RW | Field  | Value Id | Value | Description    |    |    |    |    |    |    |    |    |    |    |    |    |    |    |    |    |    |   |   |   |   |   |   |   |   |   |   |
| A                | RW | OUTPTR |          |       | Output pointer |    |    |    |    |    |    |    |    |    |    |    |    |    |    |    |    |    |   |   |   |   |   |   |   |   |   |   |

### 29.9.10 SCRATCHPTR

Address offset: 0x514

Pointer to data area used for temporary storage

| Bit number       | 31 | 30         | 29       | 28    | 27  | 26 | 25 | 24 | 23 | 22 | 21 | 20 | 19 | 18 | 17 | 16 | 15 | 14 | 13 | 12 | 11 | 10 | 9 | 8 | 7 | 6 | 5 | 4 | 3 | 2 | 1 | 0 |
|------------------|----|------------|----------|-------|---|----|----|----|----|----|----|----|----|----|----|----|----|----|----|----|----|----|---|---|---|---|---|---|---|---|---|---|
| Id               | A  | A          | A        | A     | A   | A  | A  | A  | A  | A  | A  | A  | A  | A  | A  | A  | A  | A  | A  | A  | A  | A  | A | A | A | A | A | A | A | A | A |   |
| Reset 0x00000000 | 0  | 0          | 0        | 0     | 0   | 0  | 0  | 0  | 0  | 0  | 0  | 0  | 0  | 0  | 0  | 0  | 0  | 0  | 0  | 0  | 0  | 0  | 0 | 0 | 0 | 0 | 0 | 0 | 0 | 0 | 0 |   |
| Id               | RW | Field      | Value Id | Value | Description   |    |    |    |    |    |    |    |    |    |    |    |    |    |    |    |    |    |   |   |   |   |   |   |   |   |   |   |
| A                | RW | SCRATCHPTR |          |       | Pointer to a scratch data area used for temporary storage during key-stream generation, MIC generation and encryption/decryption. |    |    |    |    |    |    |    |    |    |    |    |    |    |    |    |    |    |   |   |   |   |   |   |   |   |   |   |

The scratch area is used for temporary storage of data during key-stream generation and encryption.

A space of 43 bytes, or (16 + MAXPACKETSIZE) bytes, whatever is largest, must be reserved in RAM.

## 30 AAR — Accelerated address resolver

Accelerated address resolver is a cryptographic support function for implementing the "Resolvable Private Address Resolution Procedure" described in the *Bluetooth Core specification v4.0*. "Resolvable private address generation" should be achieved using ECB and is not supported by AAR.

The procedure allows two devices that share a secret key to generate and resolve a hash based on their device address. The AAR block enables real-time address resolution on incoming packets when configured as described in this chapter. This allows real-time packet filtering (whitelisting) using a list of known shared keys (Identity Resolving Keys (IRK) in *Bluetooth*).

### 30.1 Shared resources

The AAR shares registers and other resources with the peripherals that have the same ID as the AAR. The user must therefore disable all peripherals that have the same ID as the AAR before the AAR can be configured and used.

Disabling a peripheral that have the same ID as the AAR will not reset any of the registers that are shared with the AAR. It is therefore important to configure all relevant AAR registers explicitly to secure that it operates correctly.

See the Instantiation table in [Instantiation](#) on page 24 for details on peripherals and their IDs.

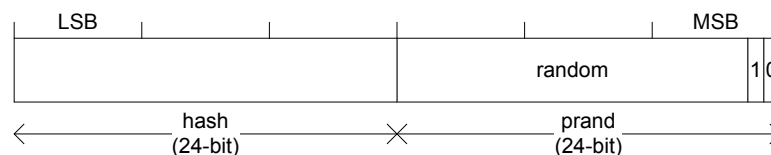
### 30.2 EasyDMA

The AAR implements EasyDMA for reading and writing to the RAM. The EasyDMA will have finished accessing the RAM when the END, RESOLVED, and NOTRESOLVED events are generated.

If the IRKPTR, ADDRPTR and the SCRATCHPTR is not pointing to the Data RAM region, an EasyDMA transfer may result in a HardFault or RAM corruption. See [Memory](#) on page 23 for more information about the different memory regions.

### 30.3 Resolving a resolvable address

As per *Bluetooth* specification, a private resolvable address is composed of six bytes.



**Figure 66: Resolvable address**

To resolve an address the ADDRPTR register must point to the start of packet. The resolver is started by triggering the START task. A RESOLVED event is generated when the AAR manages to resolve the address using one of the Identity Resolving Keys (IRK) found in the IRK data structure. The AAR will use the IRK specified in the register IRK0 to IRK15 starting from IRK0. How many to be used is specified by the NIRK register. The AAR module will generate a NOTRESOLVED event if it is not able to resolve the address using the specified list of IRKs.

The AAR will go through the list of available IRKs in the IRK data structure and for each IRK try to resolve the address according to the Resolvable Private Address Resolution Procedure described in the *Bluetooth Specification*<sup>24</sup>. The time it takes to resolve an address may vary depending on where in the list the

<sup>24</sup> *Bluetooth Specification Version 4.0 [Vol 3] chapter 10.8.2.3.*

resolvable address is located. The resolution time will also be affected by RAM accesses performed by other peripherals and the CPU. See the [Electrical specifications](#) for more information about resolution time.

The AAR will only do a comparison of the received address to those programmed in the module. And not check what type of address it actually is.

The AAR will stop as soon as it has managed to resolve the address, or after trying to resolve the address using NIRQ number of IRQs from the IRQ data structure. The AAR will generate an END event after it has stopped.

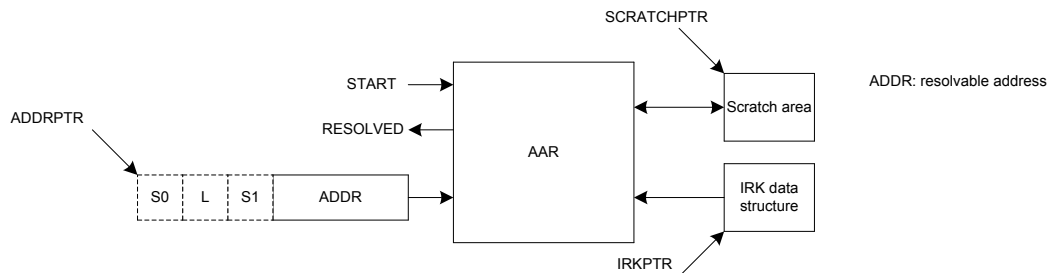


Figure 67: Address resolution with packet preloaded into RAM

## 30.4 Use case example for chaining RADIO packet reception with address resolution using AAR

The AAR may be started as soon as the 6 bytes required by the AAR have been received by the RADIO and stored in RAM. The ADDRPTR pointer must point to the start of packet.

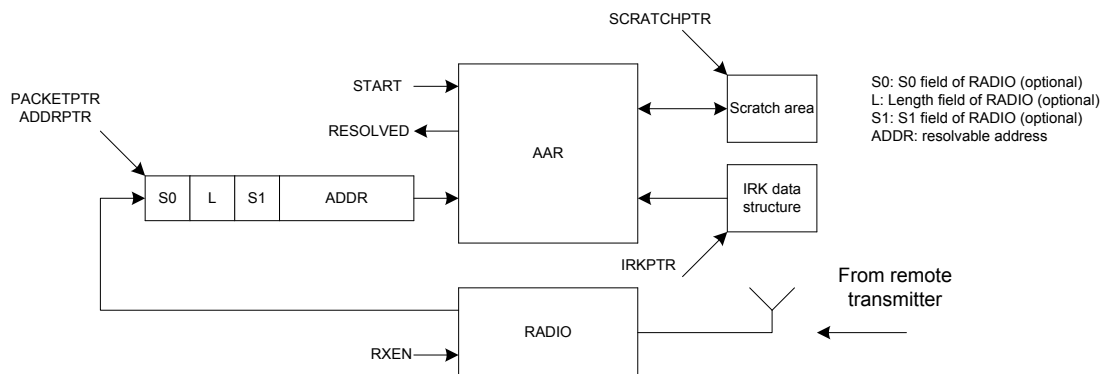


Figure 68: Address resolution with packet loaded into RAM by the RADIO

## 30.5 IRQ data structure

The IRQ data structure is located in RAM at the memory location specified by the CNFPTR pointer register.

Table 62: IRQ data structure overview

| Property | Address offset | Description               |
|----------|----------------|---------------------------|
| IRQ0     | 0              | IRQ number 0 (16 - byte)  |
| IRQ1     | 16             | IRQ number 1 (16 - byte)  |
| ...      | ...            | ...                       |
| IRQ15    | 240            | IRQ number 15 (16 - byte) |

## 30.6 Registers

**Table 63: Instances**

| Base address | Peripheral | Instance | Description                  | Configuration |
|--------------|------------|----------|------------------------------|---------------|
| 0x4000F000   | AAR        | AAR      | Accelerated Address Resolver |               |

**Table 64: Register Overview**

| Register           | Offset | Description   |
|--------------------|--------|---|
| TASKS_START        | 0x000  | Start resolving addresses based on IRKs specified in the IRK data structure |
| TASKS_STOP         | 0x008  | Stop resolving addresses  |
| EVENTS_END         | 0x100  | Address resolution procedure complete                                       |
| EVENTS_RESOLVED    | 0x104  | Address resolved  |
| EVENTS_NOTRESOLVED | 0x108  | Address not resolved  |
| <i>INTENSET</i>    | 0x304  | Enable interrupt  |
| <i>INTENCLR</i>    | 0x308  | Disable interrupt   |
| <i>STATUS</i>      | 0x400  | Resolution status   |
| <i>ENABLE</i>      | 0x500  | Enable AAR  |
| <i>NIRK</i>        | 0x504  | Number of IRKs  |
| <i>IRKPTR</i>      | 0x508  | Pointer to IRK data structure   |
| <i>ADDRPTR</i>     | 0x510  | Pointer to the resolvable address   |
| <i>SCRATCHPTR</i>  | 0x514  | Pointer to data area used for temporary storage                             |

### 30.6.1 INTENSET

Address offset: 0x304

Enable interrupt

| Bit number       | 31 30 29 28 27 26 25 24 23 22 21 20 19 18 17 16 15 14 13 12 11 10 9 8 7 6 5 4 3 2 1 0 |             |          |       |   |  |  |  |  |  |  |  |  |  |  |  |  |  |  |  |  |  |  |  |  |  |  |  |  |  |   |   |   |
|------------------|---|-------------|----------|-------|---|--|--|--|--|--|--|--|--|--|--|--|--|--|--|--|--|--|--|--|--|--|--|--|--|--|---|---|---|
| Id               |   |             |          |       |   |  |  |  |  |  |  |  |  |  |  |  |  |  |  |  |  |  |  |  |  |  |  |  |  |  | C | B | A |
| Reset 0x00000000 | 0             |             |          |       |   |  |  |  |  |  |  |  |  |  |  |  |  |  |  |  |  |  |  |  |  |  |  |  |  |  |   |   |   |
| Id               | RW  | Field       | Value Id | Value | Description   |  |  |  |  |  |  |  |  |  |  |  |  |  |  |  |  |  |  |  |  |  |  |  |  |  |   |   |   |
| A                | RW  | END         |          |       | Write '1' to Enable interrupt for END event         |  |  |  |  |  |  |  |  |  |  |  |  |  |  |  |  |  |  |  |  |  |  |  |  |  |   |   |   |
|                  |   |             |          |       | See <a href="#">EVENTS_END</a>                      |  |  |  |  |  |  |  |  |  |  |  |  |  |  |  |  |  |  |  |  |  |  |  |  |  |   |   |   |
|                  |   |             | Set      | 1     | Enable  |  |  |  |  |  |  |  |  |  |  |  |  |  |  |  |  |  |  |  |  |  |  |  |  |  |   |   |   |
|                  |   |             | Disabled | 0     | Read: Disabled                                      |  |  |  |  |  |  |  |  |  |  |  |  |  |  |  |  |  |  |  |  |  |  |  |  |  |   |   |   |
|                  |   |             | Enabled  | 1     | Read: Enabled                                       |  |  |  |  |  |  |  |  |  |  |  |  |  |  |  |  |  |  |  |  |  |  |  |  |  |   |   |   |
| B                | RW  | RESOLVED    |          |       | Write '1' to Enable interrupt for RESOLVED event    |  |  |  |  |  |  |  |  |  |  |  |  |  |  |  |  |  |  |  |  |  |  |  |  |  |   |   |   |
|                  |   |             |          |       | See <a href="#">EVENTS_RESOLVED</a>                 |  |  |  |  |  |  |  |  |  |  |  |  |  |  |  |  |  |  |  |  |  |  |  |  |  |   |   |   |
|                  |   |             | Set      | 1     | Enable  |  |  |  |  |  |  |  |  |  |  |  |  |  |  |  |  |  |  |  |  |  |  |  |  |  |   |   |   |
|                  |   |             | Disabled | 0     | Read: Disabled                                      |  |  |  |  |  |  |  |  |  |  |  |  |  |  |  |  |  |  |  |  |  |  |  |  |  |   |   |   |
|                  |   |             | Enabled  | 1     | Read: Enabled                                       |  |  |  |  |  |  |  |  |  |  |  |  |  |  |  |  |  |  |  |  |  |  |  |  |  |   |   |   |
| C                | RW  | NOTRESOLVED |          |       | Write '1' to Enable interrupt for NOTRESOLVED event |  |  |  |  |  |  |  |  |  |  |  |  |  |  |  |  |  |  |  |  |  |  |  |  |  |   |   |   |
|                  |   |             |          |       | See <a href="#">EVENTS_NOTRESOLVED</a>              |  |  |  |  |  |  |  |  |  |  |  |  |  |  |  |  |  |  |  |  |  |  |  |  |  |   |   |   |
|                  |   |             | Set      | 1     | Enable  |  |  |  |  |  |  |  |  |  |  |  |  |  |  |  |  |  |  |  |  |  |  |  |  |  |   |   |   |
|                  |   |             | Disabled | 0     | Read: Disabled                                      |  |  |  |  |  |  |  |  |  |  |  |  |  |  |  |  |  |  |  |  |  |  |  |  |  |   |   |   |
|                  |   |             | Enabled  | 1     | Read: Enabled                                       |  |  |  |  |  |  |  |  |  |  |  |  |  |  |  |  |  |  |  |  |  |  |  |  |  |   |   |   |

### 30.6.2 INTENCLR

Address offset: 0x308

Disable interrupt

| Bit number       | 31 30 29 28 27 26 25 24 23 22 21 20 19 18 17 16 15 14 13 12 11 10 9 8 7 6 5 4 3 2 1 0 |             |          |    |       |  |  |  |  |  |  |  |  |  |  |  |  |  |  |  |  |  |  |  |  |  |  |  |  |  |   |   |   |
|------------------|---|-------------|----------|----|-------|--|--|--|--|--|--|--|--|--|--|--|--|--|--|--|--|--|--|--|--|--|--|--|--|--|---|---|---|
| Id               |   |             |          |    |       |  |  |  |  |  |  |  |  |  |  |  |  |  |  |  |  |  |  |  |  |  |  |  |  |  | C | B | A |
| Reset 0x00000000 | 0             |             |          |    |       |  |  |  |  |  |  |  |  |  |  |  |  |  |  |  |  |  |  |  |  |  |  |  |  |  |   |   |   |
| Id               | RW  | Field       | Value    | Id | Value | Description  |  |  |  |  |  |  |  |  |  |  |  |  |  |  |  |  |  |  |  |  |  |  |  |  |   |   |   |
| A                | RW  | END         |          |    |       | Write '1' to Disable interrupt for END event         |  |  |  |  |  |  |  |  |  |  |  |  |  |  |  |  |  |  |  |  |  |  |  |  |   |   |   |
|                  |   |             |          |    |       | See <a href="#">EVENTS_END</a>                       |  |  |  |  |  |  |  |  |  |  |  |  |  |  |  |  |  |  |  |  |  |  |  |  |   |   |   |
|                  |   |             | Clear    | 1  |       | Disable  |  |  |  |  |  |  |  |  |  |  |  |  |  |  |  |  |  |  |  |  |  |  |  |  |   |   |   |
|                  |   |             | Disabled | 0  |       | Read: Disabled                                       |  |  |  |  |  |  |  |  |  |  |  |  |  |  |  |  |  |  |  |  |  |  |  |  |   |   |   |
|                  |   |             | Enabled  | 1  |       | Read: Enabled  |  |  |  |  |  |  |  |  |  |  |  |  |  |  |  |  |  |  |  |  |  |  |  |  |   |   |   |
| B                | RW  | RESOLVED    |          |    |       | Write '1' to Disable interrupt for RESOLVED event    |  |  |  |  |  |  |  |  |  |  |  |  |  |  |  |  |  |  |  |  |  |  |  |  |   |   |   |
|                  |   |             |          |    |       | See <a href="#">EVENTS_RESOLVED</a>                  |  |  |  |  |  |  |  |  |  |  |  |  |  |  |  |  |  |  |  |  |  |  |  |  |   |   |   |
|                  |   |             | Clear    | 1  |       | Disable  |  |  |  |  |  |  |  |  |  |  |  |  |  |  |  |  |  |  |  |  |  |  |  |  |   |   |   |
|                  |   |             | Disabled | 0  |       | Read: Disabled                                       |  |  |  |  |  |  |  |  |  |  |  |  |  |  |  |  |  |  |  |  |  |  |  |  |   |   |   |
|                  |   |             | Enabled  | 1  |       | Read: Enabled  |  |  |  |  |  |  |  |  |  |  |  |  |  |  |  |  |  |  |  |  |  |  |  |  |   |   |   |
| C                | RW  | NOTRESOLVED |          |    |       | Write '1' to Disable interrupt for NOTRESOLVED event |  |  |  |  |  |  |  |  |  |  |  |  |  |  |  |  |  |  |  |  |  |  |  |  |   |   |   |
|                  |   |             |          |    |       | See <a href="#">EVENTS_NOTRESOLVED</a>               |  |  |  |  |  |  |  |  |  |  |  |  |  |  |  |  |  |  |  |  |  |  |  |  |   |   |   |
|                  |   |             | Clear    | 1  |       | Disable  |  |  |  |  |  |  |  |  |  |  |  |  |  |  |  |  |  |  |  |  |  |  |  |  |   |   |   |
|                  |   |             | Disabled | 0  |       | Read: Disabled                                       |  |  |  |  |  |  |  |  |  |  |  |  |  |  |  |  |  |  |  |  |  |  |  |  |   |   |   |
|                  |   |             | Enabled  | 1  |       | Read: Enabled  |  |  |  |  |  |  |  |  |  |  |  |  |  |  |  |  |  |  |  |  |  |  |  |  |   |   |   |

### 30.6.3 STATUS

Address offset: 0x400

Resolution status

| Bit number       | 31 30 29 28 27 26 25 24 23 22 21 20 19 18 17 16 15 14 13 12 11 10 9 8 7 6 5 4 3 2 1 0 |        |       |    |         |   |  |  |  |  |  |  |  |  |  |  |  |  |  |  |  |  |  |  |  |  |  |  |  |  |   |   |   |   |
|------------------|---|--------|-------|----|---------|---|--|--|--|--|--|--|--|--|--|--|--|--|--|--|--|--|--|--|--|--|--|--|--|--|---|---|---|---|
| Id               |   |        |       |    |         |   |  |  |  |  |  |  |  |  |  |  |  |  |  |  |  |  |  |  |  |  |  |  |  |  | A | A | A | A |
| Reset 0x00000000 | 0             |        |       |    |         |   |  |  |  |  |  |  |  |  |  |  |  |  |  |  |  |  |  |  |  |  |  |  |  |  |   |   |   |   |
| Id               | RW  | Field  | Value | Id | Value   | Description   |  |  |  |  |  |  |  |  |  |  |  |  |  |  |  |  |  |  |  |  |  |  |  |  |   |   |   |   |
| A                | R   | STATUS |       |    | [0..15] | The IRK that was used last time an address was resolved |  |  |  |  |  |  |  |  |  |  |  |  |  |  |  |  |  |  |  |  |  |  |  |  |   |   |   |   |

### 30.6.4 ENABLE

Address offset: 0x500

Enable AAR

| Bit number       | 31 30 29 28 27 26 25 24 23 22 21 20 19 18 17 16 15 14 13 12 11 10 9 8 7 6 5 4 3 2 1 0 |        |          |    |       |                       |  |  |  |  |  |  |  |  |  |  |  |  |  |  |  |  |  |  |  |  |  |  |  |  |   |   |
|------------------|---|--------|----------|----|-------|-----------------------|--|--|--|--|--|--|--|--|--|--|--|--|--|--|--|--|--|--|--|--|--|--|--|--|---|---|
| Id               |   |        |          |    |       |                       |  |  |  |  |  |  |  |  |  |  |  |  |  |  |  |  |  |  |  |  |  |  |  |  | A | A |
| Reset 0x00000000 | 0             |        |          |    |       |                       |  |  |  |  |  |  |  |  |  |  |  |  |  |  |  |  |  |  |  |  |  |  |  |  |   |   |
| Id               | RW  | Field  | Value    | Id | Value | Description           |  |  |  |  |  |  |  |  |  |  |  |  |  |  |  |  |  |  |  |  |  |  |  |  |   |   |
| A                | RW  | ENABLE |          |    |       | Enable or disable AAR |  |  |  |  |  |  |  |  |  |  |  |  |  |  |  |  |  |  |  |  |  |  |  |  |   |   |
|                  |   |        | Disabled | 0  |       | Disable               |  |  |  |  |  |  |  |  |  |  |  |  |  |  |  |  |  |  |  |  |  |  |  |  |   |   |
|                  |   |        | Enabled  | 3  |       | Enable                |  |  |  |  |  |  |  |  |  |  |  |  |  |  |  |  |  |  |  |  |  |  |  |  |   |   |

### 30.6.5 NIRK

Address offset: 0x504

Number of IRKs

| Bit number       | 31 30 29 28 27 26 25 24 23 22 21 20 19 18 17 16 15 14 13 12 11 10 9 8 7 6 5 4 3 2 1 0 |       |       |    |         |  |  |  |  |  |  |  |  |  |  |  |  |  |  |  |  |  |  |  |  |  |  |  |  |  |   |   |   |   |   |
|------------------|---|-------|-------|----|---------|--|--|--|--|--|--|--|--|--|--|--|--|--|--|--|--|--|--|--|--|--|--|--|--|--|---|---|---|---|---|
| Id               |   |       |       |    |         |  |  |  |  |  |  |  |  |  |  |  |  |  |  |  |  |  |  |  |  |  |  |  |  |  | A | A | A | A | A |
| Reset 0x00000001 | 0 1             |       |       |    |         |  |  |  |  |  |  |  |  |  |  |  |  |  |  |  |  |  |  |  |  |  |  |  |  |  |   |   |   |   |   |
| Id               | RW  | Field | Value | Id | Value   | Description  |  |  |  |  |  |  |  |  |  |  |  |  |  |  |  |  |  |  |  |  |  |  |  |  |   |   |   |   |   |
| A                | RW  | NIRK  |       |    | [1..16] | Number of Identity root keys available in the IRK data structure |  |  |  |  |  |  |  |  |  |  |  |  |  |  |  |  |  |  |  |  |  |  |  |  |   |   |   |   |   |

### 30.6.6 IRKPTR

Address offset: 0x508

Pointer to IRK data structure

| Bit number       | 31 | 30     | 29       | 28    | 27                                | 26 | 25 | 24 | 23 | 22 | 21 | 20 | 19 | 18 | 17 | 16 | 15 | 14 | 13 | 12 | 11 | 10 | 9 | 8 | 7 | 6 | 5 | 4 | 3 | 2 | 1 | 0 |
|------------------|----|--------|----------|-------|-----------------------------------|----|----|----|----|----|----|----|----|----|----|----|----|----|----|----|----|----|---|---|---|---|---|---|---|---|---|---|
| Id               | A  | A      | A        | A     | A                                 | A  | A  | A  | A  | A  | A  | A  | A  | A  | A  | A  | A  | A  | A  | A  | A  | A  | A | A | A | A | A | A | A | A | A | A |
| Reset 0x00000000 | 0  | 0      | 0        | 0     | 0                                 | 0  | 0  | 0  | 0  | 0  | 0  | 0  | 0  | 0  | 0  | 0  | 0  | 0  | 0  | 0  | 0  | 0  | 0 | 0 | 0 | 0 | 0 | 0 | 0 | 0 | 0 | 0 |
| Id               | RW | Field  | Value Id | Value | Description                       |    |    |    |    |    |    |    |    |    |    |    |    |    |    |    |    |    |   |   |   |   |   |   |   |   |   |   |
| A                | RW | IRKPTR |          |       | Pointer to the IRK data structure |    |    |    |    |    |    |    |    |    |    |    |    |    |    |    |    |    |   |   |   |   |   |   |   |   |   |   |

### 30.6.7 ADDRPTR

Address offset: 0x510

Pointer to the resolvable address

| Bit number       | 31 | 30      | 29       | 28    | 27  | 26 | 25 | 24 | 23 | 22 | 21 | 20 | 19 | 18 | 17 | 16 | 15 | 14 | 13 | 12 | 11 | 10 | 9 | 8 | 7 | 6 | 5 | 4 | 3 | 2 | 1 | 0 |
|------------------|----|---------|----------|-------|---|----|----|----|----|----|----|----|----|----|----|----|----|----|----|----|----|----|---|---|---|---|---|---|---|---|---|---|
| Id               | A  | A       | A        | A     | A   | A  | A  | A  | A  | A  | A  | A  | A  | A  | A  | A  | A  | A  | A  | A  | A  | A  | A | A | A | A | A | A | A | A | A |   |
| Reset 0x00000000 | 0  | 0       | 0        | 0     | 0   | 0  | 0  | 0  | 0  | 0  | 0  | 0  | 0  | 0  | 0  | 0  | 0  | 0  | 0  | 0  | 0  | 0  | 0 | 0 | 0 | 0 | 0 | 0 | 0 | 0 | 0 |   |
| Id               | RW | Field   | Value Id | Value | Description                                 |    |    |    |    |    |    |    |    |    |    |    |    |    |    |    |    |    |   |   |   |   |   |   |   |   |   |   |
| A                | RW | ADDRPTR |          |       | Pointer to the resolvable address (6-bytes) |    |    |    |    |    |    |    |    |    |    |    |    |    |    |    |    |    |   |   |   |   |   |   |   |   |   |   |

### 30.6.8 SCRATCHPTR

Address offset: 0x514

Pointer to data area used for temporary storage

| Bit number       | 31 | 30         | 29       | 28    | 27  | 26 | 25 | 24 | 23 | 22 | 21 | 20 | 19 | 18 | 17 | 16 | 15 | 14 | 13 | 12 | 11 | 10 | 9 | 8 | 7 | 6 | 5 | 4 | 3 | 2 | 1 | 0 |
|------------------|----|------------|----------|-------|---|----|----|----|----|----|----|----|----|----|----|----|----|----|----|----|----|----|---|---|---|---|---|---|---|---|---|---|
| Id               | A  | A          | A        | A     | A   | A  | A  | A  | A  | A  | A  | A  | A  | A  | A  | A  | A  | A  | A  | A  | A  | A  | A | A | A | A | A | A | A | A | A |   |
| Reset 0x00000000 | 0  | 0          | 0        | 0     | 0   | 0  | 0  | 0  | 0  | 0  | 0  | 0  | 0  | 0  | 0  | 0  | 0  | 0  | 0  | 0  | 0  | 0  | 0 | 0 | 0 | 0 | 0 | 0 | 0 | 0 | 0 |   |
| Id               | RW | Field      | Value Id | Value | Description   |    |    |    |    |    |    |    |    |    |    |    |    |    |    |    |    |    |   |   |   |   |   |   |   |   |   |   |
| A                | RW | SCRATCHPTR |          |       | Pointer to a scratch data area used for temporary storage during resolution. A space of minimum 3 bytes must be reserved. |    |    |    |    |    |    |    |    |    |    |    |    |    |    |    |    |    |   |   |   |   |   |   |   |   |   |   |

## 30.7 Electrical specification

### 30.7.1 AAR Electrical Specification

| Symbol             | Description                           | Min. | Typ. | Max. | Units |
|--------------------|---------------------------------------|------|------|------|-------|
| t <sub>AAR,8</sub> | Time for address resolution of 8 IRKs |      | 48   |      | μs    |

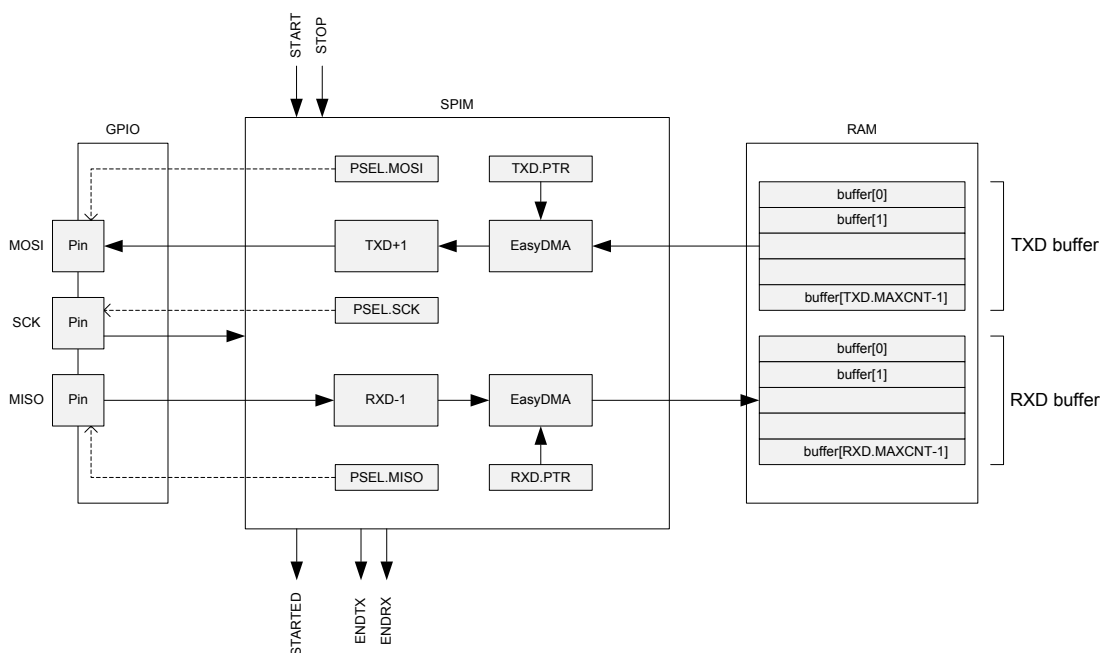


# 31 SPIM — Serial peripheral interface master with EasyDMA

The SPI master can communicate with multiple slaves using individual chip select signals for each of the slave devices attached to a bus.

Listed here are the main features for the SPIM

- Three SPIM instances
- SPI mode 0-3
- EasyDMA direct transfer to/from RAM for both SPI Slave and SPI Master
- Individual selection of IO pin for each SPI signal



**Figure 69: SPIM — SPI master with EasyDMA**

The SPIM does not implement support for chip select directly. Therefore, the CPU must use available GPIOs to select the correct slave and control this independently of the SPI master. The SPIM supports SPI modes 0 through 3. The CONFIG register allows setting CPOL and CPHA appropriately.

**Table 65: SPI modes**

| Mode                  | Clock polarity<br>CPOL | Clock phase<br>CPHA |
|-----------------------|------------------------|---------------------|
| SPI_MODE 0 (Leading)  | 0 (Active High)        | 0 (Active High)     |
| SPI_MODE 0 (Leading)  | 1 (Active Low)         | 1 (Active Low)      |
| SPI_MODE 1 (Trailing) | 0 (Active High)        | 0 (Active High)     |
| SPI_MODE 1 (Trailing) | 1 (Active Low)         | 1 (Active Low)      |

## 31.1 Shared resources

The SPI shares registers and other resources with other peripherals that have the same ID as the SPI. Therefore, the user must disable all peripherals that have the same ID as the SPI before the SPI can be configured and used.

Disabling a peripheral that has the same ID as the SPI will not reset any of the registers that are shared with the SPI. It is therefore important to configure all relevant SPI registers explicitly to secure that it operates correctly.

See the Instantiation table in [Instantiation](#) on page 24 for details on peripherals and their IDs.

## 31.2 EasyDMA

The SPI master implements EasyDMA for reading and writing of data packets from and to the DATA RAM without CPU involvement.

The RXD.PTR and TXD.PTR point to the RXD buffer (receive buffer) and TXD buffer (transmit buffer) respectively, see [Figure 69: SPIM — SPI master with EasyDMA](#) on page 281. RXD.MAXCNT and TXD.MAXCNT specify the maximum number of bytes allocated to the buffers.

The SPI master will automatically stop transmitting after TXD.MAXCNT bytes have been transmitted and RXD.MAXCNT bytes have been received. If TXD.MAXCNT is larger than RXD.MAXCNT, the superfluous received bytes will be ignored. If RXD.MAXCNT is larger than TXD.MAXCNT, the remaining transmitted bytes will contain the value defined in the ORC register.

If the RXD.PTR and the TXD.PTR are not pointing to the Data RAM region, an EasyDMA transfer may result in a HardFault or RAM corruption. See [Memory](#) on page 23 for more information about the different memory regions.

The .PTR and .MAXCNT registers are double-buffered. They can be updated and prepared for the next transmission immediately after having received the STARTED event.

The ENDRX/ENDTX event indicate that EasyDMA has finished accessing respectively the RX/TX buffer in RAM. The END event gets generated when both RX and TX are finished accessing the buffers in RAM.

### 31.2.1 EasyDMA list

EasyDMA supports one list type.

The supported list type is:

- Array list

#### EasyDMA array list

The EasyDMA array list can be represented by the data structure `ArrayList_type`.

For illustration, see the code example below. This data structure includes only a buffer with size equal to `Channel.MAXCNT`. EasyDMA will use the `Channel.MAXCNT` register to determine when the buffer is full. Replace 'Channel' by the specific data channel you want to use, for instance 'NRF\_SPIM->RXD', 'NRF\_SPIM->TXD', 'NRF\_TWIM->RXD', etc.

The `Channel.MAXCNT` register cannot be specified larger than the actual size of the buffer. If `Channel.MAXCNT` is specified larger than the size of the buffer, the EasyDMA channel may overflow the buffer.

This array list does not provide a mechanism to explicitly specify where the next item in the list is located. Instead, it assumes that the list is organized as a linear array where items are located one after the other in RAM.

```
#define BUFFER_SIZE 4

typedef struct ArrayList
{
    uint8_t buffer[BUFFER_SIZE];
} ArrayList_type;

ArrayList_type MyArrayList[3];
```

```
//replace 'Channel' below by the specific data channel you want to use,
//      for instance 'NRF_SPIM->RXD', 'NRF_TWIM->RXD', etc.
Channel.MAXCNT = BUFFER_SIZE;
Channel.PTR = &MyArrayList;
```



Figure 70: EasyDMA array list

### 31.3 SPI master transaction sequence

An SPI master transaction consists of a sequence started by the START task followed by a number of events, and finally the STOP task.

An SPI master transaction is started by triggering the START task. The ENDTX event will be generated when the transmitter has transmitted all bytes in the TXD buffer as specified in the TXD.MAXCNT register. The ENDRX event will be generated when the receiver has filled the RXD buffer, i.e. received the last possible byte as specified in the RXD.MAXCNT register.

Following a START task, the SPI master will generate an END event when both ENDRX and ENDTX have been generated.

The SPI master is stopped by triggering the STOP task. A STOPPED event is generated when the SPI master has stopped.

If the ENDRX event has not already been generated when the SPI master has come to a stop, the SPI master will generate the ENDRX event explicitly even though the RX buffer is not full.

If the ENDTX event has not already been generated when the SPI master has come to a stop, the SPI master will generate the ENDTX event explicitly even though all bytes in the TXD buffer, as specified in the TXD.MAXCNT register, have not been transmitted.

The SPI master is a synchronous interface, and for every byte that is sent, a different byte will be received at the same time; this is illustrated in [Figure 71: SPI master transaction](#) on page 284.



Figure 71: SPI master transaction

## 31.4 Low power

When putting the system in low power and the peripheral is not needed, lowest possible power consumption is achieved by stopping, and then disabling the peripheral.

The STOP task may not be always needed (the peripheral might already be stopped), but if it is sent, software shall wait until the STOPPED event was received as a response before disabling the peripheral through the ENABLE register.

## 31.5 Master mode pin configuration

The SCK, MOSI, and MISO signals associated with the SPI master are mapped to physical pins according to the configuration specified in the PSEL.SCK, PSEL.MOSI, and PSEL.MISO registers respectively.

The PSEL.SCK, PSEL.MOSI, and PSEL.MISO registers and their configurations are only used as long as the SPI master is enabled, and retained only as long as the device is in ON mode. PSEL.SCK, PSEL.MOSI and PSEL.MISO must only be configured when the SPI master is disabled.

To secure correct behavior in the SPI, the pins used by the SPI must be configured in the GPIO peripheral as described in [Table 66: GPIO configuration](#) on page 284 prior to enabling the SPI. This configuration must be retained in the GPIO for the selected IOs as long as the SPI is enabled.

Only one peripheral can be assigned to drive a particular GPIO pin at a time. Failing to do so may result in unpredictable behavior.

Table 66: GPIO configuration

| SPI master signal | SPI master pin            | Direction | Output value        | Comments |
|-------------------|---------------------------|-----------|---------------------|----------|
| SCK               | As specified in PSEL.SCK  | Output    | Same as CONFIG.CPOL |          |
| MOSI              | As specified in PSEL.MOSI | Output    | 0                   |          |
| MISO              | As specified in PSEL.MISO | Input     | Not applicable      |          |

## 31.6 Registers

**Table 67: Instances**

| Base address | Peripheral | Instance | Description  | Configuration |
|--------------|------------|----------|--------------|---------------|
| 0x40003000   | SPIM       | SPIM0    | SPI master 0 |               |
| 0x40004000   | SPIM       | SPIM1    | SPI master 1 |               |
| 0x40023000   | SPIM       | SPIM2    | SPI master 2 |               |

**Table 68: Register Overview**

| Register       | Offset | Description   |
|----------------|--------|---|
| TASKS_START    | 0x010  | Start SPI transaction   |
| TASKS_STOP     | 0x014  | Stop SPI transaction  |
| TASKS_SUSPEND  | 0x01C  | Suspend SPI transaction   |
| TASKS_RESUME   | 0x020  | Resume SPI transaction  |
| EVENTS_STOPPED | 0x104  | SPI transaction has stopped   |
| EVENTS_ENDRX   | 0x110  | End of RXD buffer reached   |
| EVENTS_END     | 0x118  | End of RXD buffer and TXD buffer reached  |
| EVENTS_ENDTX   | 0x120  | End of TXD buffer reached   |
| EVENTS_STARTED | 0x14C  | Transaction started   |
| SHORTS         | 0x200  | Shortcut register   |
| INTENSET       | 0x304  | Enable interrupt  |
| INTENCLR       | 0x308  | Disable interrupt   |
| ENABLE         | 0x500  | Enable SPIM   |
| PSEL_SCK       | 0x508  | Pin select for SCK  |
| PSEL_MOSI      | 0x50C  | Pin select for MOSI signal  |
| PSEL_MISO      | 0x510  | Pin select for MISO signal  |
| FREQUENCY      | 0x524  | SPI frequency   |
| RXD_PTR        | 0x534  | Data pointer  |
| RXD_MAXCNT     | 0x538  | Maximum number of bytes in receive buffer   |
| RXD_AMOUNT     | 0x53C  | Number of bytes transferred in the last transaction                                 |
| RXD_LIST       | 0x540  | EasyDMA list type   |
| TXD_PTR        | 0x544  | Data pointer  |
| TXD_MAXCNT     | 0x548  | Maximum number of bytes in transmit buffer  |
| TXD_AMOUNT     | 0x54C  | Number of bytes transferred in the last transaction                                 |
| TXD_LIST       | 0x550  | EasyDMA list type   |
| CONFIG         | 0x554  | Configuration register  |
| ORC            | 0x5C0  | Over-read character. Character clocked out in case and over-read of the TXD buffer. |

### 31.6.1 SHORTS

Address offset: 0x200

Shortcut register

| Bit number       | 31 30 29 28 27 26 25 24 23 22 21 20 19 18 17 16 15 14 13 12 11 10 9 8 7 6 5 4 3 2 1 0 |           |          |    |       |  |  |  |  |  |  |  |  |  |  |  |  |  |  |  |  |  |  |  |  |  |  |  |  |  |  |
|------------------|---|-----------|----------|----|-------|--|--|--|--|--|--|--|--|--|--|--|--|--|--|--|--|--|--|--|--|--|--|--|--|--|--|
| Id               | A   |           |          |    |       |  |  |  |  |  |  |  |  |  |  |  |  |  |  |  |  |  |  |  |  |  |  |  |  |  |  |
| Reset 0x00000000 | 0                     |           |          |    |       |  |  |  |  |  |  |  |  |  |  |  |  |  |  |  |  |  |  |  |  |  |  |  |  |  |  |
| Id               | RW  | Field     | Value    | Id | Value | Description  |  |  |  |  |  |  |  |  |  |  |  |  |  |  |  |  |  |  |  |  |  |  |  |  |  |
| A                | RW  | END_START |          |    |       | Shortcut between END event and START task                      |  |  |  |  |  |  |  |  |  |  |  |  |  |  |  |  |  |  |  |  |  |  |  |  |  |
|                  |   |           |          |    |       | See <a href="#">EVENTS_END</a> and <a href="#">TASKS_START</a> |  |  |  |  |  |  |  |  |  |  |  |  |  |  |  |  |  |  |  |  |  |  |  |  |  |
|                  |   |           | Disabled | 0  |       | Disable shortcut   |  |  |  |  |  |  |  |  |  |  |  |  |  |  |  |  |  |  |  |  |  |  |  |  |  |
|                  |   |           | Enabled  | 1  |       | Enable shortcut  |  |  |  |  |  |  |  |  |  |  |  |  |  |  |  |  |  |  |  |  |  |  |  |  |  |

### 31.6.2 INTENSET

Address offset: 0x304

Enable interrupt

| Bit number       | 31 30 29 28 27 26 25 24 23 22 21 20 19 18 17 16 15 14 13 12 11 10 9 8 7 6 5 4 3 2 1 0 |         |          |    |       |   |  |  |  |  |  |  |  |  |  |   |  |  |   |  |  |   |  |  |   |  |  |   |  |  |  |
|------------------|---|---------|----------|----|-------|---|--|--|--|--|--|--|--|--|--|---|--|--|---|--|--|---|--|--|---|--|--|---|--|--|--|
| Id               |   |         |          |    |       |   |  |  |  |  |  |  |  |  |  | E |  |  | D |  |  | C |  |  | B |  |  | A |  |  |  |
| Reset 0x00000000 | 0             |         |          |    |       |   |  |  |  |  |  |  |  |  |  |   |  |  |   |  |  |   |  |  |   |  |  |   |  |  |  |
| Id               | RW  | Field   | Value    | Id | Value | Description                                     |  |  |  |  |  |  |  |  |  |   |  |  |   |  |  |   |  |  |   |  |  |   |  |  |  |
| A                | RW  | STOPPED |          |    |       | Write '1' to Enable interrupt for STOPPED event |  |  |  |  |  |  |  |  |  |   |  |  |   |  |  |   |  |  |   |  |  |   |  |  |  |
|                  |   |         |          |    |       | See <a href="#">EVENTS_STOPPED</a>              |  |  |  |  |  |  |  |  |  |   |  |  |   |  |  |   |  |  |   |  |  |   |  |  |  |
|                  |   |         | Set      | 1  |       | Enable  |  |  |  |  |  |  |  |  |  |   |  |  |   |  |  |   |  |  |   |  |  |   |  |  |  |
|                  |   |         | Disabled | 0  |       | Read: Disabled                                  |  |  |  |  |  |  |  |  |  |   |  |  |   |  |  |   |  |  |   |  |  |   |  |  |  |
|                  |   |         | Enabled  | 1  |       | Read: Enabled                                   |  |  |  |  |  |  |  |  |  |   |  |  |   |  |  |   |  |  |   |  |  |   |  |  |  |
| B                | RW  | ENDRX   |          |    |       | Write '1' to Enable interrupt for ENDRX event   |  |  |  |  |  |  |  |  |  |   |  |  |   |  |  |   |  |  |   |  |  |   |  |  |  |
|                  |   |         |          |    |       | See <a href="#">EVENTS_ENDRX</a>                |  |  |  |  |  |  |  |  |  |   |  |  |   |  |  |   |  |  |   |  |  |   |  |  |  |
|                  |   |         | Set      | 1  |       | Enable  |  |  |  |  |  |  |  |  |  |   |  |  |   |  |  |   |  |  |   |  |  |   |  |  |  |
|                  |   |         | Disabled | 0  |       | Read: Disabled                                  |  |  |  |  |  |  |  |  |  |   |  |  |   |  |  |   |  |  |   |  |  |   |  |  |  |
|                  |   |         | Enabled  | 1  |       | Read: Enabled                                   |  |  |  |  |  |  |  |  |  |   |  |  |   |  |  |   |  |  |   |  |  |   |  |  |  |
| C                | RW  | END     |          |    |       | Write '1' to Enable interrupt for END event     |  |  |  |  |  |  |  |  |  |   |  |  |   |  |  |   |  |  |   |  |  |   |  |  |  |
|                  |   |         |          |    |       | See <a href="#">EVENTS_END</a>                  |  |  |  |  |  |  |  |  |  |   |  |  |   |  |  |   |  |  |   |  |  |   |  |  |  |
|                  |   |         | Set      | 1  |       | Enable  |  |  |  |  |  |  |  |  |  |   |  |  |   |  |  |   |  |  |   |  |  |   |  |  |  |
|                  |   |         | Disabled | 0  |       | Read: Disabled                                  |  |  |  |  |  |  |  |  |  |   |  |  |   |  |  |   |  |  |   |  |  |   |  |  |  |
|                  |   |         | Enabled  | 1  |       | Read: Enabled                                   |  |  |  |  |  |  |  |  |  |   |  |  |   |  |  |   |  |  |   |  |  |   |  |  |  |
| D                | RW  | ENDTX   |          |    |       | Write '1' to Enable interrupt for ENDTX event   |  |  |  |  |  |  |  |  |  |   |  |  |   |  |  |   |  |  |   |  |  |   |  |  |  |
|                  |   |         |          |    |       | See <a href="#">EVENTS_ENDTX</a>                |  |  |  |  |  |  |  |  |  |   |  |  |   |  |  |   |  |  |   |  |  |   |  |  |  |
|                  |   |         | Set      | 1  |       | Enable  |  |  |  |  |  |  |  |  |  |   |  |  |   |  |  |   |  |  |   |  |  |   |  |  |  |
|                  |   |         | Disabled | 0  |       | Read: Disabled                                  |  |  |  |  |  |  |  |  |  |   |  |  |   |  |  |   |  |  |   |  |  |   |  |  |  |
|                  |   |         | Enabled  | 1  |       | Read: Enabled                                   |  |  |  |  |  |  |  |  |  |   |  |  |   |  |  |   |  |  |   |  |  |   |  |  |  |
| E                | RW  | STARTED |          |    |       | Write '1' to Enable interrupt for STARTED event |  |  |  |  |  |  |  |  |  |   |  |  |   |  |  |   |  |  |   |  |  |   |  |  |  |
|                  |   |         |          |    |       | See <a href="#">EVENTS_STARTED</a>              |  |  |  |  |  |  |  |  |  |   |  |  |   |  |  |   |  |  |   |  |  |   |  |  |  |
|                  |   |         | Set      | 1  |       | Enable  |  |  |  |  |  |  |  |  |  |   |  |  |   |  |  |   |  |  |   |  |  |   |  |  |  |
|                  |   |         | Disabled | 0  |       | Read: Disabled                                  |  |  |  |  |  |  |  |  |  |   |  |  |   |  |  |   |  |  |   |  |  |   |  |  |  |
|                  |   |         | Enabled  | 1  |       | Read: Enabled                                   |  |  |  |  |  |  |  |  |  |   |  |  |   |  |  |   |  |  |   |  |  |   |  |  |  |

### 31.6.3 INTENCLR

Address offset: 0x308

Disable interrupt

| Bit number       | 31 30 29 28 27 26 25 24 23 22 21 20 19 18 17 16 15 14 13 12 11 10 9 8 7 6 5 4 3 2 1 0 |         |          |    |       |  |  |  |  |  |  |  |  |  |  |   |  |  |   |  |  |   |  |  |   |  |  |   |  |  |  |
|------------------|---|---------|----------|----|-------|--|--|--|--|--|--|--|--|--|--|---|--|--|---|--|--|---|--|--|---|--|--|---|--|--|--|
| Id               |   |         |          |    |       |  |  |  |  |  |  |  |  |  |  | E |  |  | D |  |  | C |  |  | B |  |  | A |  |  |  |
| Reset 0x00000000 | 0             |         |          |    |       |  |  |  |  |  |  |  |  |  |  |   |  |  |   |  |  |   |  |  |   |  |  |   |  |  |  |
| Id               | RW  | Field   | Value    | Id | Value | Description                                      |  |  |  |  |  |  |  |  |  |   |  |  |   |  |  |   |  |  |   |  |  |   |  |  |  |
| A                | RW  | STOPPED |          |    |       | Write '1' to Disable interrupt for STOPPED event |  |  |  |  |  |  |  |  |  |   |  |  |   |  |  |   |  |  |   |  |  |   |  |  |  |
|                  |   |         |          |    |       | See <a href="#">EVENTS_STOPPED</a>               |  |  |  |  |  |  |  |  |  |   |  |  |   |  |  |   |  |  |   |  |  |   |  |  |  |
|                  |   |         | Clear    | 1  |       | Disable  |  |  |  |  |  |  |  |  |  |   |  |  |   |  |  |   |  |  |   |  |  |   |  |  |  |
|                  |   |         | Disabled | 0  |       | Read: Disabled                                   |  |  |  |  |  |  |  |  |  |   |  |  |   |  |  |   |  |  |   |  |  |   |  |  |  |
|                  |   |         | Enabled  | 1  |       | Read: Enabled                                    |  |  |  |  |  |  |  |  |  |   |  |  |   |  |  |   |  |  |   |  |  |   |  |  |  |
| B                | RW  | ENDRX   |          |    |       | Write '1' to Disable interrupt for ENDRX event   |  |  |  |  |  |  |  |  |  |   |  |  |   |  |  |   |  |  |   |  |  |   |  |  |  |
|                  |   |         |          |    |       | See <a href="#">EVENTS_ENDRX</a>                 |  |  |  |  |  |  |  |  |  |   |  |  |   |  |  |   |  |  |   |  |  |   |  |  |  |
|                  |   |         | Clear    | 1  |       | Disable  |  |  |  |  |  |  |  |  |  |   |  |  |   |  |  |   |  |  |   |  |  |   |  |  |  |
|                  |   |         | Disabled | 0  |       | Read: Disabled                                   |  |  |  |  |  |  |  |  |  |   |  |  |   |  |  |   |  |  |   |  |  |   |  |  |  |
|                  |   |         | Enabled  | 1  |       | Read: Enabled                                    |  |  |  |  |  |  |  |  |  |   |  |  |   |  |  |   |  |  |   |  |  |   |  |  |  |
| C                | RW  | END     |          |    |       | Write '1' to Disable interrupt for END event     |  |  |  |  |  |  |  |  |  |   |  |  |   |  |  |   |  |  |   |  |  |   |  |  |  |
|                  |   |         |          |    |       | See <a href="#">EVENTS_END</a>                   |  |  |  |  |  |  |  |  |  |   |  |  |   |  |  |   |  |  |   |  |  |   |  |  |  |
|                  |   |         | Clear    | 1  |       | Disable  |  |  |  |  |  |  |  |  |  |   |  |  |   |  |  |   |  |  |   |  |  |   |  |  |  |
|                  |   |         | Disabled | 0  |       | Read: Disabled                                   |  |  |  |  |  |  |  |  |  |   |  |  |   |  |  |   |  |  |   |  |  |   |  |  |  |
|                  |   |         | Enabled  | 1  |       | Read: Enabled                                    |  |  |  |  |  |  |  |  |  |   |  |  |   |  |  |   |  |  |   |  |  |   |  |  |  |
| D                | RW  | ENDTX   |          |    |       | Write '1' to Disable interrupt for ENDTX event   |  |  |  |  |  |  |  |  |  |   |  |  |   |  |  |   |  |  |   |  |  |   |  |  |  |
|                  |   |         |          |    |       | See <a href="#">EVENTS_ENDTX</a>                 |  |  |  |  |  |  |  |  |  |   |  |  |   |  |  |   |  |  |   |  |  |   |  |  |  |

| Bit number       | 31 30 29 28 27 26 25 24 23 22 21 20 19 18 17 16 15 14 13 12 11 10 9 8 7 6 5 4 3 2 1 0 |         |          |       |  |  |  |  |  |  |  |  |  |  |  |   |  |  |  |  |  |  |  |  |  |  |  |  |  |  |  |   |   |   |   |
|------------------|---|---------|----------|-------|--|--|--|--|--|--|--|--|--|--|--|---|--|--|--|--|--|--|--|--|--|--|--|--|--|--|--|---|---|---|---|
| Id               |   |         |          |       |  |  |  |  |  |  |  |  |  |  |  | E |  |  |  |  |  |  |  |  |  |  |  |  |  |  |  | D | C | B | A |
| Reset 0x00000000 | 0             |         |          |       |  |  |  |  |  |  |  |  |  |  |  |   |  |  |  |  |  |  |  |  |  |  |  |  |  |  |  |   |   |   |   |
| Id               | RW  | Field   | Value Id | Value | Description                                      |  |  |  |  |  |  |  |  |  |  |   |  |  |  |  |  |  |  |  |  |  |  |  |  |  |  |   |   |   |   |
|                  |   |         | Clear    | 1     | Disable  |  |  |  |  |  |  |  |  |  |  |   |  |  |  |  |  |  |  |  |  |  |  |  |  |  |  |   |   |   |   |
|                  |   |         | Disabled | 0     | Read: Disabled                                   |  |  |  |  |  |  |  |  |  |  |   |  |  |  |  |  |  |  |  |  |  |  |  |  |  |  |   |   |   |   |
|                  |   |         | Enabled  | 1     | Read: Enabled                                    |  |  |  |  |  |  |  |  |  |  |   |  |  |  |  |  |  |  |  |  |  |  |  |  |  |  |   |   |   |   |
| E                | RW  | STARTED |          |       | Write '1' to Disable interrupt for STARTED event |  |  |  |  |  |  |  |  |  |  |   |  |  |  |  |  |  |  |  |  |  |  |  |  |  |  |   |   |   |   |
|                  |   |         |          |       | See <a href="#">EVENTS_STARTED</a>               |  |  |  |  |  |  |  |  |  |  |   |  |  |  |  |  |  |  |  |  |  |  |  |  |  |  |   |   |   |   |
|                  |   |         | Clear    | 1     | Disable  |  |  |  |  |  |  |  |  |  |  |   |  |  |  |  |  |  |  |  |  |  |  |  |  |  |  |   |   |   |   |
|                  |   |         | Disabled | 0     | Read: Disabled                                   |  |  |  |  |  |  |  |  |  |  |   |  |  |  |  |  |  |  |  |  |  |  |  |  |  |  |   |   |   |   |
|                  |   |         | Enabled  | 1     | Read: Enabled                                    |  |  |  |  |  |  |  |  |  |  |   |  |  |  |  |  |  |  |  |  |  |  |  |  |  |  |   |   |   |   |

### 31.6.4 ENABLE

Address offset: 0x500

Enable SPIM

| Bit number       | 31 30 29 28 27 26 25 24 23 22 21 20 19 18 17 16 15 14 13 12 11 10 9 8 7 6 5 4 3 2 1 0 |        |          |       |                        |  |  |  |  |  |  |  |  |  |  |  |  |  |  |  |  |  |  |  |  |  |  |   |   |   |   |
|------------------|---|--------|----------|-------|------------------------|--|--|--|--|--|--|--|--|--|--|--|--|--|--|--|--|--|--|--|--|--|--|---|---|---|---|
| Id               |   |        |          |       |                        |  |  |  |  |  |  |  |  |  |  |  |  |  |  |  |  |  |  |  |  |  |  | A | A | A | A |
| Reset 0x00000000 | 0             |        |          |       |                        |  |  |  |  |  |  |  |  |  |  |  |  |  |  |  |  |  |  |  |  |  |  |   |   |   |   |
| Id               | RW  | Field  | Value Id | Value | Description            |  |  |  |  |  |  |  |  |  |  |  |  |  |  |  |  |  |  |  |  |  |  |   |   |   |   |
| A                | RW  | ENABLE |          |       | Enable or disable SPIM |  |  |  |  |  |  |  |  |  |  |  |  |  |  |  |  |  |  |  |  |  |  |   |   |   |   |
|                  |   |        | Disabled | 0     | Disable SPIM           |  |  |  |  |  |  |  |  |  |  |  |  |  |  |  |  |  |  |  |  |  |  |   |   |   |   |
|                  |   |        | Enabled  | 7     | Enable SPIM            |  |  |  |  |  |  |  |  |  |  |  |  |  |  |  |  |  |  |  |  |  |  |   |   |   |   |

### 31.6.5 PSEL.SCK

Address offset: 0x508

Pin select for SCK

| Bit number       | 31 30 29 28 27 26 25 24 23 22 21 20 19 18 17 16 15 14 13 12 11 10 9 8 7 6 5 4 3 2 1 0 |         |              |         |             |  |  |  |  |  |  |  |  |  |  |  |  |  |  |  |  |  |  |  |  |  |  |   |   |   |   |   |
|------------------|---|---------|--------------|---------|-------------|--|--|--|--|--|--|--|--|--|--|--|--|--|--|--|--|--|--|--|--|--|--|---|---|---|---|---|
| Id               | B   |         |              |         |             |  |  |  |  |  |  |  |  |  |  |  |  |  |  |  |  |  |  |  |  |  |  | A | A | A | A | A |
| Reset 0xFFFFFFFF | 1             |         |              |         |             |  |  |  |  |  |  |  |  |  |  |  |  |  |  |  |  |  |  |  |  |  |  |   |   |   |   |   |
| Id               | RW  | Field   | Value Id     | Value   | Description |  |  |  |  |  |  |  |  |  |  |  |  |  |  |  |  |  |  |  |  |  |  |   |   |   |   |   |
| A                | RW  | PIN     |              | [0..31] | Pin number  |  |  |  |  |  |  |  |  |  |  |  |  |  |  |  |  |  |  |  |  |  |  |   |   |   |   |   |
| B                | RW  | CONNECT |              |         | Connection  |  |  |  |  |  |  |  |  |  |  |  |  |  |  |  |  |  |  |  |  |  |  |   |   |   |   |   |
|                  |   |         | Disconnected | 1       | Disconnect  |  |  |  |  |  |  |  |  |  |  |  |  |  |  |  |  |  |  |  |  |  |  |   |   |   |   |   |
|                  |   |         | Connected    | 0       | Connect     |  |  |  |  |  |  |  |  |  |  |  |  |  |  |  |  |  |  |  |  |  |  |   |   |   |   |   |

### 31.6.6 PSEL.MOSI

Address offset: 0x50C

Pin select for MOSI signal

| Bit number       | 31 30 29 28 27 26 25 24 23 22 21 20 19 18 17 16 15 14 13 12 11 10 9 8 7 6 5 4 3 2 1 0 |         |              |         |             |  |  |  |  |  |  |  |  |  |  |  |  |  |  |  |  |  |  |  |  |  |  |   |   |   |   |
|------------------|---|---------|--------------|---------|-------------|--|--|--|--|--|--|--|--|--|--|--|--|--|--|--|--|--|--|--|--|--|--|---|---|---|---|
| Id               | B   |         |              |         |             |  |  |  |  |  |  |  |  |  |  |  |  |  |  |  |  |  |  |  |  |  |  | A | A | A | A |
| Reset 0xFFFFFFFF | 1             |         |              |         |             |  |  |  |  |  |  |  |  |  |  |  |  |  |  |  |  |  |  |  |  |  |  |   |   |   |   |
| Id               | RW  | Field   | Value Id     | Value   | Description |  |  |  |  |  |  |  |  |  |  |  |  |  |  |  |  |  |  |  |  |  |  |   |   |   |   |
| A                | RW  | PIN     |              | [0..31] | Pin number  |  |  |  |  |  |  |  |  |  |  |  |  |  |  |  |  |  |  |  |  |  |  |   |   |   |   |
| B                | RW  | CONNECT |              |         | Connection  |  |  |  |  |  |  |  |  |  |  |  |  |  |  |  |  |  |  |  |  |  |  |   |   |   |   |
|                  |   |         | Disconnected | 1       | Disconnect  |  |  |  |  |  |  |  |  |  |  |  |  |  |  |  |  |  |  |  |  |  |  |   |   |   |   |
|                  |   |         | Connected    | 0       | Connect     |  |  |  |  |  |  |  |  |  |  |  |  |  |  |  |  |  |  |  |  |  |  |   |   |   |   |

### 31.6.7 PSEL.MISO

Address offset: 0x510

Pin select for MISO signal





### 31.6.12 RXD.LIST

Address offset: 0x540

EasyDMA list type

| Bit number       | 31 30 29 28 27 26 25 24 23 22 21 20 19 18 17 16 15 14 13 12 11 10 9 8 7 6 5 4 3 2 1 0 |       |           |       |                      |  |  |  |  |  |  |  |  |  |  |  |  |  |  |  |  |  |  |  |  |  |  |  |  |  |  |
|------------------|---|-------|-----------|-------|----------------------|--|--|--|--|--|--|--|--|--|--|--|--|--|--|--|--|--|--|--|--|--|--|--|--|--|--|
| Id               | A A A   |       |           |       |                      |  |  |  |  |  |  |  |  |  |  |  |  |  |  |  |  |  |  |  |  |  |  |  |  |  |  |
| Reset 0x00000000 | 0             |       |           |       |                      |  |  |  |  |  |  |  |  |  |  |  |  |  |  |  |  |  |  |  |  |  |  |  |  |  |  |
| Id               | RW  | Field | Value Id  | Value | Description          |  |  |  |  |  |  |  |  |  |  |  |  |  |  |  |  |  |  |  |  |  |  |  |  |  |  |
| A                | RW  | LIST  |           |       | List type            |  |  |  |  |  |  |  |  |  |  |  |  |  |  |  |  |  |  |  |  |  |  |  |  |  |  |
|                  |   |       | Disabled  | 0     | Disable EasyDMA list |  |  |  |  |  |  |  |  |  |  |  |  |  |  |  |  |  |  |  |  |  |  |  |  |  |  |
|                  |   |       | ArrayList | 1     | Use array list       |  |  |  |  |  |  |  |  |  |  |  |  |  |  |  |  |  |  |  |  |  |  |  |  |  |  |

### 31.6.13 TXD.PTR

Address offset: 0x544

Data pointer

| Bit number       | 31 30 29 28 27 26 25 24 23 22 21 20 19 18 17 16 15 14 13 12 11 10 9 8 7 6 5 4 3 2 1 0 |       |          |       |              |  |  |  |  |  |  |  |  |  |  |  |  |  |  |  |  |  |  |  |  |  |  |  |  |  |  |
|------------------|---|-------|----------|-------|--------------|--|--|--|--|--|--|--|--|--|--|--|--|--|--|--|--|--|--|--|--|--|--|--|--|--|--|
| Id               | A                 |       |          |       |              |  |  |  |  |  |  |  |  |  |  |  |  |  |  |  |  |  |  |  |  |  |  |  |  |  |  |
| Reset 0x00000000 | 0             |       |          |       |              |  |  |  |  |  |  |  |  |  |  |  |  |  |  |  |  |  |  |  |  |  |  |  |  |  |  |
| Id               | RW  | Field | Value Id | Value | Description  |  |  |  |  |  |  |  |  |  |  |  |  |  |  |  |  |  |  |  |  |  |  |  |  |  |  |
| A                | RW  | PTR   |          |       | Data pointer |  |  |  |  |  |  |  |  |  |  |  |  |  |  |  |  |  |  |  |  |  |  |  |  |  |  |

### 31.6.14 TXD.MAXCNT

Address offset: 0x548

Maximum number of bytes in transmit buffer

| Bit number       | 31 30 29 28 27 26 25 24 23 22 21 20 19 18 17 16 15 14 13 12 11 10 9 8 7 6 5 4 3 2 1 0 |        |          |       |  |  |  |  |  |  |  |  |  |  |  |  |  |  |  |  |  |  |  |  |  |  |  |  |  |  |  |
|------------------|---|--------|----------|-------|--|--|--|--|--|--|--|--|--|--|--|--|--|--|--|--|--|--|--|--|--|--|--|--|--|--|--|
| Id               | A                 |        |          |       |  |  |  |  |  |  |  |  |  |  |  |  |  |  |  |  |  |  |  |  |  |  |  |  |  |  |  |
| Reset 0x00000000 | 0             |        |          |       |  |  |  |  |  |  |  |  |  |  |  |  |  |  |  |  |  |  |  |  |  |  |  |  |  |  |  |
| Id               | RW  | Field  | Value Id | Value | Description                                |  |  |  |  |  |  |  |  |  |  |  |  |  |  |  |  |  |  |  |  |  |  |  |  |  |  |
| A                | RW  | MAXCNT |          |       | Maximum number of bytes in transmit buffer |  |  |  |  |  |  |  |  |  |  |  |  |  |  |  |  |  |  |  |  |  |  |  |  |  |  |

### 31.6.15 TXD.AMOUNT

Address offset: 0x54C

Number of bytes transferred in the last transaction

| Bit number       | 31 30 29 28 27 26 25 24 23 22 21 20 19 18 17 16 15 14 13 12 11 10 9 8 7 6 5 4 3 2 1 0 |        |          |       |   |  |  |  |  |  |  |  |  |  |  |  |  |  |  |  |  |  |  |  |  |  |  |  |  |  |  |
|------------------|---|--------|----------|-------|---|--|--|--|--|--|--|--|--|--|--|--|--|--|--|--|--|--|--|--|--|--|--|--|--|--|--|
| Id               | A                 |        |          |       |   |  |  |  |  |  |  |  |  |  |  |  |  |  |  |  |  |  |  |  |  |  |  |  |  |  |  |
| Reset 0x00000000 | 0             |        |          |       |   |  |  |  |  |  |  |  |  |  |  |  |  |  |  |  |  |  |  |  |  |  |  |  |  |  |  |
| Id               | RW  | Field  | Value Id | Value | Description   |  |  |  |  |  |  |  |  |  |  |  |  |  |  |  |  |  |  |  |  |  |  |  |  |  |  |
| A                | R   | AMOUNT |          |       | Number of bytes transferred in the last transaction |  |  |  |  |  |  |  |  |  |  |  |  |  |  |  |  |  |  |  |  |  |  |  |  |  |  |

### 31.6.16 TXD.LIST

Address offset: 0x550

EasyDMA list type

| Bit number       | 31 30 29 28 27 26 25 24 23 22 21 20 19 18 17 16 15 14 13 12 11 10 9 8 7 6 5 4 3 2 1 0 |       |           |       |                      |  |  |  |  |  |  |  |  |  |  |  |  |  |  |  |  |  |  |  |  |  |  |  |  |  |  |
|------------------|---|-------|-----------|-------|----------------------|--|--|--|--|--|--|--|--|--|--|--|--|--|--|--|--|--|--|--|--|--|--|--|--|--|--|
| Id               | A A A   |       |           |       |                      |  |  |  |  |  |  |  |  |  |  |  |  |  |  |  |  |  |  |  |  |  |  |  |  |  |  |
| Reset 0x00000000 | 0             |       |           |       |                      |  |  |  |  |  |  |  |  |  |  |  |  |  |  |  |  |  |  |  |  |  |  |  |  |  |  |
| Id               | RW  | Field | Value Id  | Value | Description          |  |  |  |  |  |  |  |  |  |  |  |  |  |  |  |  |  |  |  |  |  |  |  |  |  |  |
| A                | RW  | LIST  |           |       | List type            |  |  |  |  |  |  |  |  |  |  |  |  |  |  |  |  |  |  |  |  |  |  |  |  |  |  |
|                  |   |       | Disabled  | 0     | Disable EasyDMA list |  |  |  |  |  |  |  |  |  |  |  |  |  |  |  |  |  |  |  |  |  |  |  |  |  |  |
|                  |   |       | ArrayList | 1     | Use array list       |  |  |  |  |  |  |  |  |  |  |  |  |  |  |  |  |  |  |  |  |  |  |  |  |  |  |

### 31.6.17 CONFIG

Address offset: 0x554

Configuration register

| Bit number       | 31 30 29 28 27 26 25 24 23 22 21 20 19 18 17 16 15 14 13 12 11 10 9 8 7 6 5 4 3 2 1 0 |       |            |       |   |  |  |  |  |  |  |  |  |  |  |  |  |  |  |  |  |  |  |  |  |  |  |  |  |  |   |   |   |
|------------------|---|-------|------------|-------|---|--|--|--|--|--|--|--|--|--|--|--|--|--|--|--|--|--|--|--|--|--|--|--|--|--|---|---|---|
| Id               |   |       |            |       |   |  |  |  |  |  |  |  |  |  |  |  |  |  |  |  |  |  |  |  |  |  |  |  |  |  | C | B | A |
| Reset 0x00000000 | 0             |       |            |       |   |  |  |  |  |  |  |  |  |  |  |  |  |  |  |  |  |  |  |  |  |  |  |  |  |  |   |   |   |
| Id               | RW  | Field | Value Id   | Value | Description   |  |  |  |  |  |  |  |  |  |  |  |  |  |  |  |  |  |  |  |  |  |  |  |  |  |   |   |   |
| A                | RW  | ORDER |            |       | Bit order   |  |  |  |  |  |  |  |  |  |  |  |  |  |  |  |  |  |  |  |  |  |  |  |  |  |   |   |   |
|                  |   |       | MsbFirst   | 0     | Most significant bit shifted out first                              |  |  |  |  |  |  |  |  |  |  |  |  |  |  |  |  |  |  |  |  |  |  |  |  |  |   |   |   |
|                  |   |       | LsbFirst   | 1     | Least significant bit shifted out first                             |  |  |  |  |  |  |  |  |  |  |  |  |  |  |  |  |  |  |  |  |  |  |  |  |  |   |   |   |
| B                | RW  | CPHA  |            |       | Serial clock (SCK) phase  |  |  |  |  |  |  |  |  |  |  |  |  |  |  |  |  |  |  |  |  |  |  |  |  |  |   |   |   |
|                  |   |       | Leading    | 0     | Sample on leading edge of clock, shift serial data on trailing edge |  |  |  |  |  |  |  |  |  |  |  |  |  |  |  |  |  |  |  |  |  |  |  |  |  |   |   |   |
|                  |   |       | Trailing   | 1     | Sample on trailing edge of clock, shift serial data on leading edge |  |  |  |  |  |  |  |  |  |  |  |  |  |  |  |  |  |  |  |  |  |  |  |  |  |   |   |   |
| C                | RW  | CPOL  |            |       | Serial clock (SCK) polarity   |  |  |  |  |  |  |  |  |  |  |  |  |  |  |  |  |  |  |  |  |  |  |  |  |  |   |   |   |
|                  |   |       | ActiveHigh | 0     | Active high   |  |  |  |  |  |  |  |  |  |  |  |  |  |  |  |  |  |  |  |  |  |  |  |  |  |   |   |   |
|                  |   |       | ActiveLow  | 1     | Active low  |  |  |  |  |  |  |  |  |  |  |  |  |  |  |  |  |  |  |  |  |  |  |  |  |  |   |   |   |

### 31.6.18 ORC

Address offset: 0x5C0

Over-read character. Character clocked out in case and over-read of the TXD buffer.

| Bit number       | 31 30 29 28 27 26 25 24 23 22 21 20 19 18 17 16 15 14 13 12 11 10 9 8 7 6 5 4 3 2 1 0 |       |          |       |   |  |  |  |  |  |  |  |  |  |  |  |  |  |  |  |  |  |  |  |  |  |  |  |  |  |   |   |   |   |   |   |   |
|------------------|---|-------|----------|-------|---|--|--|--|--|--|--|--|--|--|--|--|--|--|--|--|--|--|--|--|--|--|--|--|--|--|---|---|---|---|---|---|---|
| Id               |   |       |          |       |   |  |  |  |  |  |  |  |  |  |  |  |  |  |  |  |  |  |  |  |  |  |  |  |  |  | A | A | A | A | A | A | A |
| Reset 0x00000000 | 0             |       |          |       |   |  |  |  |  |  |  |  |  |  |  |  |  |  |  |  |  |  |  |  |  |  |  |  |  |  |   |   |   |   |   |   |   |
| Id               | RW  | Field | Value Id | Value | Description   |  |  |  |  |  |  |  |  |  |  |  |  |  |  |  |  |  |  |  |  |  |  |  |  |  |   |   |   |   |   |   |   |
| A                | RW  | ORC   |          |       | Over-read character. Character clocked out in case and over-read of the TXD buffer. |  |  |  |  |  |  |  |  |  |  |  |  |  |  |  |  |  |  |  |  |  |  |  |  |  |   |   |   |   |   |   |   |

## 31.7 Electrical specification

### 31.7.1 SPIM master interface

| Symbol              | Description   | Min. | Typ.                | Max.              | Units   |
|---------------------|---|------|---------------------|-------------------|---------|
| $f_{SPIM}$          | Bit rates for SPIM <sup>25</sup>                                    |      |                     | $8^{26}$          | Mbps    |
| $I_{SPIM,2Mbps}$    | Run current for SPIM, 2 Mbps  |      | 50                  |                   | $\mu A$ |
| $I_{SPIM,8Mbps}$    | Run current for SPIM, 8 Mbps  |      | 50                  |                   | $\mu A$ |
| $I_{SPIM,IDLE}$     | Idle current for SPIM (STARTed, no CSN activity)                    |      | 1                   |                   | $\mu A$ |
| $t_{SPIM,START,LP}$ | Time from START task to transmission started, low power mode        |      | $t_{SPIM,START,} +$ |                   | $\mu s$ |
| $t_{SPIM,START,CL}$ | Time from START task to transmission started, constant latency mode |      | 1                   | $t_{START\_HFIN}$ | $\mu s$ |

### 31.7.2 Serial Peripheral Interface Master (SPIM) electrical specifications

| Symbol                | Description         | Min. | Typ. | Max. | Units |
|-----------------------|---------------------|------|------|------|-------|
| $t_{SPIM,CSCK,8Mbps}$ | SCK period at 8Mbps |      | 125  |      | ns    |
| $t_{SPIM,CSCK,4Mbps}$ | SCK period at 4Mbps |      | 250  |      | ns    |
| $t_{SPIM,CSCK,2Mbps}$ | SCK period at 2Mbps |      | 500  |      | ns    |

<sup>25</sup> Higher bit rates may require GPIOs to be set as High Drive, see GPIO chapter for more details.

<sup>26</sup> The actual maximum data rate depends on the slave's CLK to MISO and MOSI setup and hold timings.

| Symbol             | Description                            | Min.                    | Typ. | Max.           | Units |
|--------------------|--|-------------------------|------|----------------|-------|
| $t_{SPIM,RSCK,LD}$ | SCK rise time, low drive <sup>a</sup>  |                         |      | $t_{RF,25pF}$  |       |
| $t_{SPIM,RSCK,HD}$ | SCK rise time, high drive <sup>a</sup> |                         |      | $t_{HRF,25pF}$ |       |
| $t_{SPIM,FSCK,LD}$ | SCK fall time, low drive <sup>a</sup>  |                         |      | $t_{RF,25pF}$  |       |
| $t_{SPIM,FSCK,HD}$ | SCK fall time, high drive <sup>a</sup> |                         |      | $t_{HRF,25pF}$ |       |
| $t_{SPIM,WHSCCK}$  | SCK high time <sup>a</sup>             | $(0.5 \cdot t_{cscck})$ |      |                |       |
|                    |  | $- t_{RSCK}$            |      |                |       |
| $t_{SPIM,WLSCCK}$  | SCK low time <sup>a</sup>              | $(0.5 \cdot t_{cscck})$ |      |                |       |
|                    |  | $- t_{FSCK}$            |      |                |       |
| $t_{SPIM,SUMI}$    | MISO to CLK edge setup time            | 19                      |      |                | ns    |
| $t_{SPIM,HMI}$     | CLK edge to MISO hold time             | 18                      |      |                | ns    |
| $t_{SPIM,VMO}$     | CLK edge to MOSI valid                 |                         |      | 59             | ns    |
| $t_{SPIM,HMO}$     | MOSI hold time after CLK edge          | 20                      |      |                | ns    |



Figure 72: SPIM timing diagram

<sup>a</sup> At 25pF load, including GPIO pin capacitance, see GPIO spec.

## 32 SPIS — Serial peripheral interface slave with EasyDMA

SPI slave (SPIS) is implemented with EasyDMA support for ultra low power serial communication from an external SPI master. EasyDMA in conjunction with hardware-based semaphore mechanisms removes all real-time requirements associated with controlling the SPI slave from a low priority CPU execution context.



**Figure 73: SPI slave**

The SPIS supports SPI modes 0 through 3. The CONFIG register allows setting CPOL and CPHA appropriately.

**Table 69: SPI modes**

| Mode      | Clock polarity<br>CPOL | Clock phase<br>CPHA |
|-----------|------------------------|---------------------|
| SPI_MODE0 | 0 (Leading)            | 0 (Active High)     |
| SPI_MODE1 | 0 (Leading)            | 1 (Active Low)      |
| SPI_MODE2 | 1 (Trailing)           | 0 (Active High)     |
| SPI_MODE3 | 1 (Trailing)           | 1 (Active Low)      |

### 32.1 Shared resources

The SPI slave shares registers and other resources with other peripherals that have the same ID as the SPI slave. Therefore, you must disable all peripherals that have the same ID as the SPI slave before the SPI slave can be configured and used.

Disabling a peripheral that has the same ID as the SPI slave will not reset any of the registers that are shared with the SPI slave. It is important to configure all relevant SPI slave registers explicitly to secure that it operates correctly.

The Instantiation table in [Instantiation](#) on page 24 shows which peripherals have the same ID as the SPI slave.

### 32.2 EasyDMA

The SPI slave implements EasyDMA for reading and writing to and from the RAM. The END event indicates that EasyDMA has finished accessing the buffer in RAM.

If the TXD.PTR and the RXD.PTR are not pointing to the Data RAM region, an EasyDMA transfer may result in a HardFault or RAM corruption. See [Memory](#) on page 23 for more information about the different memory regions.

### 32.3 SPI slave operation

SPI slave uses two memory pointers, RXD.PTR and TXD.PTR, that point to the RXD buffer (receive buffer) and TXD buffer (transmit buffer) respectively. Since these buffers are located in RAM, which can be accessed by both the SPI slave and the CPU, a hardware based semaphore mechanism is implemented to enable safe sharing.

See [Figure 74: SPI transaction when shortcut between END and ACQUIRE is enabled](#) on page 294.

Before the CPU can safely update the RXD.PTR and TXD.PTR pointers it must first acquire the SPI semaphore. The CPU can acquire the semaphore by triggering the ACQUIRE task and then receiving the ACQUIRED event. When the CPU has updated the RXD.PTR and TXD.PTR pointers the CPU must release the semaphore before the SPI slave will be able to acquire it. The CPU releases the semaphore by triggering the RELEASE task. This is illustrated in [Figure 74: SPI transaction when shortcut between END and ACQUIRE is enabled](#) on page 294. Triggering the RELEASE task when the semaphore is not granted to the CPU will have no effect.

The semaphore mechanism does not, at any time, prevent the CPU from performing read or write access to the RXD.PTR register, the TXD.PTR registers, or the RAM that these pointers are pointing to. The semaphore is only telling when these can be updated by the CPU so that safe sharing is achieved.

The semaphore is by default assigned to the CPU after the SPI slave is enabled. No ACQUIRED event will be generated for this initial semaphore handover. An ACQUIRED event will be generated immediately if the ACQUIRE task is triggered while the semaphore is assigned to the CPU.

The SPI slave will try to acquire the semaphore when CSN goes low. If the SPI slave does not manage to acquire the semaphore at this point, the transaction will be ignored. This means that all incoming data on MOSI will be discarded, and the DEF (default) character will be clocked out on the MISO line throughout the whole transaction. This will also be the case even if the semaphore is released by the CPU during the transaction. In case of a race condition where the CPU and the SPI slave try to acquire the semaphore at the same time, as illustrated in lifeline item 2 in [Figure 74: SPI transaction when shortcut between END and ACQUIRE is enabled](#) on page 294, the semaphore will be granted to the CPU.

If the SPI slave acquires the semaphore, the transaction will be granted. The incoming data on MOSI will be stored in the RXD buffer and the data in the TXD buffer will be clocked out on MISO.

When a granted transaction is completed and CSN goes high, the SPI slave will automatically release the semaphore and generate the END event.

As long as the semaphore is available the SPI slave can be granted multiple transactions one after the other. If the CPU is not able to reconfigure the TXD.PTR and RXD.PTR between granted transactions, the same TX data will be clocked out and the RX buffers will be overwritten. To prevent this from happening, the END\_ACQUIRE shortcut can be used. With this shortcut enabled the semaphore will be handed over to the CPU automatically after the granted transaction has completed, giving the CPU the ability to update the TXPTR and RXPTR between every granted transaction.

If the CPU tries to acquire the semaphore while it is assigned to the SPI slave, an immediate handover will not be granted. However, the semaphore will be handed over to the CPU as soon as the SPI slave has released the semaphore after the granted transaction is completed. If the END\_ACQUIRE shortcut is enabled and the CPU has triggered the ACQUIRE task during a granted transaction, only one ACQUIRE request will be served following the END event.

The MAXRX register specifies the maximum number of bytes the SPI slave can receive in one granted transaction. If the SPI slave receives more than MAXRX number of bytes, an OVERFLOW will be indicated in the STATUS register and the incoming bytes will be discarded.

The MAXTX parameter specifies the maximum number of bytes the SPI slave can transmit in one granted transaction. If the SPI slave is forced to transmit more than MAXTX number of bytes, an OVERREAD will be indicated in the STATUS register and the ORC character will be clocked out.

The RXD.AMOUNT and TXD.AMOUNT registers are updated when a granted transaction is completed. The TXD.AMOUNT register indicates how many bytes were read from the TX buffer in the last transaction, that is, ORC (over-read) characters are not included in this number. Similarly, the RXD.AMOUNT register indicates how many bytes were written into the RX buffer in the last transaction.

The ENDRX event is generated when the RX buffer has been filled.



Figure 74: SPI transaction when shortcut between END and ACQUIRE is enabled

### 32.4 Pin configuration

The CSN, SCK, MOSI, and MISO signals associated with the SPI slave are mapped to physical pins according to the configuration specified in the PSEL.CSN, PSEL.SCK, PSEL.MOSI, and PSEL.MISO registers respectively. If the CONNECT field of any of these registers is set to Disconnected, the associated SPI slave signal will not be connected to any physical pins.

The PSEL.CSN, PSEL.SCK, PSEL.MOSI, and PSEL.MISO registers and their configurations are only used as long as the SPI slave is enabled, and retained only as long as the device is in System ON mode, see [POWER — Power supply](#) on page 78 chapter for more information about power modes. When the peripheral is disabled, the pins will behave as regular GPIOs, and use the configuration in their respective OUT bit field and PIN\_CNFG[n] register. PSEL.CSN, PSEL.SCK, PSEL.MOSI, and PSEL.MISO must only be configured when the SPI slave is disabled.

To secure correct behavior in the SPI slave, the pins used by the SPI slave must be configured in the GPIO peripheral as described in [Table 70: GPIO configuration before enabling peripheral](#) on page 295 before enabling the SPI slave. This is to secure that the pins used by the SPI slave are driven correctly if the SPI

slave itself is temporarily disabled, or if the device temporarily enters System OFF. This configuration must be retained in the GPIO for the selected I/Os as long as the SPI slave is to be recognized by an external SPI master.

The MISO line is set in high impedance as long as the SPI slave is not selected with CSN.

Only one peripheral can be assigned to drive a particular GPIO pin at a time. Failing to do so may result in unpredictable behavior.

**Table 70: GPIO configuration before enabling peripheral**

| SPI signal | SPI pin                   | Direction | Output value   | Comment                                      |
|------------|---------------------------|-----------|----------------|--|
| CSN        | As specified in PSEL.CSN  | Input     | Not applicable |  |
| SCK        | As specified in PSEL.SCK  | Input     | Not applicable |  |
| MOSI       | As specified in PSEL.MOSI | Input     | Not applicable |  |
| MISO       | As specified in PSEL.MISO | Input     | Not applicable | Emulates that the SPI slave is not selected. |

## 32.5 Registers

**Table 71: Instances**

| Base address | Peripheral | Instance | Description | Configuration |
|--------------|------------|----------|-------------|---------------|
| 0x40003000   | SPIS       | SPIS0    | SPI slave 0 |               |
| 0x40004000   | SPIS       | SPIS1    | SPI slave 1 |               |
| 0x40023000   | SPIS       | SPIS2    | SPI slave 2 |               |

**Table 72: Register Overview**

| Register          | Offset | Description   |            |
|-------------------|--------|---|------------|
| TASKS_ACQUIRE     | 0x024  | Acquire SPI semaphore                                       |            |
| TASKS_RELEASE     | 0x028  | Release SPI semaphore, enabling the SPI slave to acquire it |            |
| EVENTS_END        | 0x104  | Granted transaction completed                               |            |
| EVENTS_ENDRX      | 0x110  | End of RXD buffer reached                                   |            |
| EVENTS_ACQUIRED   | 0x128  | Semaphore acquired  |            |
| <i>SHORTS</i>     | 0x200  | Shortcut register   |            |
| <i>INTENSET</i>   | 0x304  | Enable interrupt  |            |
| <i>INTENCLR</i>   | 0x308  | Disable interrupt   |            |
| <i>SEMSTAT</i>    | 0x400  | Semaphore status register                                   |            |
| <i>STATUS</i>     | 0x440  | Status from last transaction                                |            |
| <i>ENABLE</i>     | 0x500  | Enable SPI slave  |            |
| <i>PSELSCK</i>    | 0x508  | Pin select for SCK  | Deprecated |
| <i>PSELMISO</i>   | 0x50C  | Pin select for MISO   | Deprecated |
| <i>PSELMOSI</i>   | 0x510  | Pin select for MOSI   | Deprecated |
| <i>PSELCSN</i>    | 0x514  | Pin select for CSN  | Deprecated |
| <i>PSEL.SCK</i>   | 0x508  | Pin select for SCK  |            |
| <i>PSEL.MISO</i>  | 0x50C  | Pin select for MISO signal                                  |            |
| <i>PSEL.MOSI</i>  | 0x510  | Pin select for MOSI signal                                  |            |
| <i>PSEL.CSN</i>   | 0x514  | Pin select for CSN signal                                   |            |
| <i>RXDPTR</i>     | 0x534  | RXD data pointer  | Deprecated |
| <i>MAXRX</i>      | 0x538  | Maximum number of bytes in receive buffer                   | Deprecated |
| <i>AMOUNTRX</i>   | 0x53C  | Number of bytes received in last granted transaction        | Deprecated |
| <i>RXD.PTR</i>    | 0x534  | RXD data pointer  |            |
| <i>RXD.MAXCNT</i> | 0x538  | Maximum number of bytes in receive buffer                   |            |
| <i>RXD.AMOUNT</i> | 0x53C  | Number of bytes received in last granted transaction        |            |
| <i>TXDPTR</i>     | 0x544  | TXD data pointer  | Deprecated |
| <i>MAXTX</i>      | 0x548  | Maximum number of bytes in transmit buffer                  | Deprecated |
| <i>AMOUNTTX</i>   | 0x54C  | Number of bytes transmitted in last granted transaction     | Deprecated |
| <i>TXD.PTR</i>    | 0x544  | TXD data pointer  |            |
| <i>TXD.MAXCNT</i> | 0x548  | Maximum number of bytes in transmit buffer                  |            |
| <i>TXD.AMOUNT</i> | 0x54C  | Number of bytes transmitted in last granted transaction     |            |
| <i>CONFIG</i>     | 0x554  | Configuration register                                      |            |

| Register   | Offset | Description   |
|------------|--------|---|
| <i>DEF</i> | 0x55C  | Default character. Character clocked out in case of an ignored transaction. |
| <i>ORC</i> | 0x5C0  | Over-read character   |

### 32.5.1 SHORTS

Address offset: 0x200

Shortcut register

| Bit number       |   |             |          |    |       |  |  |  |  |  |  |  |  |  |  |  |  |  |  |  |  |  |  |  |  |  |  |  |  |  |   |
|------------------|---|-------------|----------|----|-------|--|--|--|--|--|--|--|--|--|--|--|--|--|--|--|--|--|--|--|--|--|--|--|--|--|---|
| Id               |   |             |          |    |       |  |  |  |  |  |  |  |  |  |  |  |  |  |  |  |  |  |  |  |  |  |  |  |  |  | A |
| Reset 0x00000000 | 0 |             |          |    |       |  |  |  |  |  |  |  |  |  |  |  |  |  |  |  |  |  |  |  |  |  |  |  |  |  |   |
| Id               | RW  | Field       | Value    | Id | Value | Description  |  |  |  |  |  |  |  |  |  |  |  |  |  |  |  |  |  |  |  |  |  |  |  |  |   |
| A                | RW  | END_ACQUIRE |          |    |       | Shortcut between END event and ACQUIRE task                      |  |  |  |  |  |  |  |  |  |  |  |  |  |  |  |  |  |  |  |  |  |  |  |  |   |
|                  |   |             |          |    |       | See <a href="#">EVENTS_END</a> and <a href="#">TASKS_ACQUIRE</a> |  |  |  |  |  |  |  |  |  |  |  |  |  |  |  |  |  |  |  |  |  |  |  |  |   |
|                  |   |             | Disabled | 0  |       | Disable shortcut   |  |  |  |  |  |  |  |  |  |  |  |  |  |  |  |  |  |  |  |  |  |  |  |  |   |
|                  |   |             | Enabled  | 1  |       | Enable shortcut  |  |  |  |  |  |  |  |  |  |  |  |  |  |  |  |  |  |  |  |  |  |  |  |  |   |

### 32.5.2 INTENSET

Address offset: 0x304

Enable interrupt

| Bit number       |   |          |          |    |       |  |  |  |  |  |   |  |  |  |  |  |  |  |  |  |  |   |  |  |  |  |  |  |  |  |  |  |   |
|------------------|---|----------|----------|----|-------|--|--|--|--|--|---|--|--|--|--|--|--|--|--|--|--|---|--|--|--|--|--|--|--|--|--|--|---|
| Id               |   |          |          |    |       |  |  |  |  |  | C |  |  |  |  |  |  |  |  |  |  | B |  |  |  |  |  |  |  |  |  |  | A |
| Reset 0x00000000 | 0 |          |          |    |       |  |  |  |  |  |   |  |  |  |  |  |  |  |  |  |  |   |  |  |  |  |  |  |  |  |  |  |   |
| Id               | RW  | Field    | Value    | Id | Value | Description                                      |  |  |  |  |   |  |  |  |  |  |  |  |  |  |  |   |  |  |  |  |  |  |  |  |  |  |   |
| A                | RW  | END      |          |    |       | Write '1' to Enable interrupt for END event      |  |  |  |  |   |  |  |  |  |  |  |  |  |  |  |   |  |  |  |  |  |  |  |  |  |  |   |
|                  |   |          |          |    |       | See <a href="#">EVENTS_END</a>                   |  |  |  |  |   |  |  |  |  |  |  |  |  |  |  |   |  |  |  |  |  |  |  |  |  |  |   |
|                  |   |          | Set      | 1  |       | Enable   |  |  |  |  |   |  |  |  |  |  |  |  |  |  |  |   |  |  |  |  |  |  |  |  |  |  |   |
|                  |   |          | Disabled | 0  |       | Read: Disabled                                   |  |  |  |  |   |  |  |  |  |  |  |  |  |  |  |   |  |  |  |  |  |  |  |  |  |  |   |
|                  |   |          | Enabled  | 1  |       | Read: Enabled                                    |  |  |  |  |   |  |  |  |  |  |  |  |  |  |  |   |  |  |  |  |  |  |  |  |  |  |   |
| B                | RW  | ENDRX    |          |    |       | Write '1' to Enable interrupt for ENDRX event    |  |  |  |  |   |  |  |  |  |  |  |  |  |  |  |   |  |  |  |  |  |  |  |  |  |  |   |
|                  |   |          |          |    |       | See <a href="#">EVENTS_ENDRX</a>                 |  |  |  |  |   |  |  |  |  |  |  |  |  |  |  |   |  |  |  |  |  |  |  |  |  |  |   |
|                  |   |          | Set      | 1  |       | Enable   |  |  |  |  |   |  |  |  |  |  |  |  |  |  |  |   |  |  |  |  |  |  |  |  |  |  |   |
|                  |   |          | Disabled | 0  |       | Read: Disabled                                   |  |  |  |  |   |  |  |  |  |  |  |  |  |  |  |   |  |  |  |  |  |  |  |  |  |  |   |
|                  |   |          | Enabled  | 1  |       | Read: Enabled                                    |  |  |  |  |   |  |  |  |  |  |  |  |  |  |  |   |  |  |  |  |  |  |  |  |  |  |   |
| C                | RW  | ACQUIRED |          |    |       | Write '1' to Enable interrupt for ACQUIRED event |  |  |  |  |   |  |  |  |  |  |  |  |  |  |  |   |  |  |  |  |  |  |  |  |  |  |   |
|                  |   |          |          |    |       | See <a href="#">EVENTS_ACQUIRED</a>              |  |  |  |  |   |  |  |  |  |  |  |  |  |  |  |   |  |  |  |  |  |  |  |  |  |  |   |
|                  |   |          | Set      | 1  |       | Enable   |  |  |  |  |   |  |  |  |  |  |  |  |  |  |  |   |  |  |  |  |  |  |  |  |  |  |   |
|                  |   |          | Disabled | 0  |       | Read: Disabled                                   |  |  |  |  |   |  |  |  |  |  |  |  |  |  |  |   |  |  |  |  |  |  |  |  |  |  |   |
|                  |   |          | Enabled  | 1  |       | Read: Enabled                                    |  |  |  |  |   |  |  |  |  |  |  |  |  |  |  |   |  |  |  |  |  |  |  |  |  |  |   |

### 32.5.3 INTENCLR

Address offset: 0x308

Disable interrupt

| Bit number       |   |       |          |    |       |  |  |  |  |  |   |  |  |  |  |  |  |  |  |  |  |   |  |  |  |  |  |  |  |  |  |  |   |
|------------------|---|-------|----------|----|-------|--|--|--|--|--|---|--|--|--|--|--|--|--|--|--|--|---|--|--|--|--|--|--|--|--|--|--|---|
| Id               |   |       |          |    |       |  |  |  |  |  | C |  |  |  |  |  |  |  |  |  |  | B |  |  |  |  |  |  |  |  |  |  | A |
| Reset 0x00000000 | 0 |       |          |    |       |  |  |  |  |  |   |  |  |  |  |  |  |  |  |  |  |   |  |  |  |  |  |  |  |  |  |  |   |
| Id               | RW  | Field | Value    | Id | Value | Description                                    |  |  |  |  |   |  |  |  |  |  |  |  |  |  |  |   |  |  |  |  |  |  |  |  |  |  |   |
| A                | RW  | END   |          |    |       | Write '1' to Disable interrupt for END event   |  |  |  |  |   |  |  |  |  |  |  |  |  |  |  |   |  |  |  |  |  |  |  |  |  |  |   |
|                  |   |       |          |    |       | See <a href="#">EVENTS_END</a>                 |  |  |  |  |   |  |  |  |  |  |  |  |  |  |  |   |  |  |  |  |  |  |  |  |  |  |   |
|                  |   |       | Clear    | 1  |       | Disable  |  |  |  |  |   |  |  |  |  |  |  |  |  |  |  |   |  |  |  |  |  |  |  |  |  |  |   |
|                  |   |       | Disabled | 0  |       | Read: Disabled                                 |  |  |  |  |   |  |  |  |  |  |  |  |  |  |  |   |  |  |  |  |  |  |  |  |  |  |   |
|                  |   |       | Enabled  | 1  |       | Read: Enabled                                  |  |  |  |  |   |  |  |  |  |  |  |  |  |  |  |   |  |  |  |  |  |  |  |  |  |  |   |
| B                | RW  | ENDRX |          |    |       | Write '1' to Disable interrupt for ENDRX event |  |  |  |  |   |  |  |  |  |  |  |  |  |  |  |   |  |  |  |  |  |  |  |  |  |  |   |



| Bit number                          | 31 30 29 28 27 26 25 24 23 22 21 20 19 18 17 16 15 14 13 12 11 10 9 8 7 6 5 4 3 2 1 0 |          |          |       |                |   |  |  |  |  |  |  |  |  |  |  |  |  |  |  |  |  |  |  |  |  |  |   |  |  |   |  |   |
|-------------------------------------|---|----------|----------|-------|----------------|---|--|--|--|--|--|--|--|--|--|--|--|--|--|--|--|--|--|--|--|--|--|---|--|--|---|--|---|
| Id                                  |   |          |          |       |                |   |  |  |  |  |  |  |  |  |  |  |  |  |  |  |  |  |  |  |  |  |  | C |  |  | B |  | A |
| Reset 0x00000000                    | 0             |          |          |       |                |   |  |  |  |  |  |  |  |  |  |  |  |  |  |  |  |  |  |  |  |  |  |   |  |  |   |  |   |
| Id                                  | RW  | Field    | Value Id | Value | Description    |   |  |  |  |  |  |  |  |  |  |  |  |  |  |  |  |  |  |  |  |  |  |   |  |  |   |  |   |
| See <a href="#">EVENTS_ENDRX</a>    |   |          |          |       |                |   |  |  |  |  |  |  |  |  |  |  |  |  |  |  |  |  |  |  |  |  |  |   |  |  |   |  |   |
|                                     |   |          | Clear    | 1     | Disable        |   |  |  |  |  |  |  |  |  |  |  |  |  |  |  |  |  |  |  |  |  |  |   |  |  |   |  |   |
|                                     |   |          | Disabled | 0     | Read: Disabled |   |  |  |  |  |  |  |  |  |  |  |  |  |  |  |  |  |  |  |  |  |  |   |  |  |   |  |   |
|                                     |   |          | Enabled  | 1     | Read: Enabled  |   |  |  |  |  |  |  |  |  |  |  |  |  |  |  |  |  |  |  |  |  |  |   |  |  |   |  |   |
| C                                   | RW  | ACQUIRED |          |       |                | Write '1' to Disable interrupt for ACQUIRED event |  |  |  |  |  |  |  |  |  |  |  |  |  |  |  |  |  |  |  |  |  |   |  |  |   |  |   |
| See <a href="#">EVENTS_ACQUIRED</a> |   |          |          |       |                |   |  |  |  |  |  |  |  |  |  |  |  |  |  |  |  |  |  |  |  |  |  |   |  |  |   |  |   |
|                                     |   |          | Clear    | 1     | Disable        |   |  |  |  |  |  |  |  |  |  |  |  |  |  |  |  |  |  |  |  |  |  |   |  |  |   |  |   |
|                                     |   |          | Disabled | 0     | Read: Disabled |   |  |  |  |  |  |  |  |  |  |  |  |  |  |  |  |  |  |  |  |  |  |   |  |  |   |  |   |
|                                     |   |          | Enabled  | 1     | Read: Enabled  |   |  |  |  |  |  |  |  |  |  |  |  |  |  |  |  |  |  |  |  |  |  |   |  |  |   |  |   |

### 32.5.4 SEMSTAT

Address offset: 0x400

Semaphore status register

| Bit number       | 31 30 29 28 27 26 25 24 23 22 21 20 19 18 17 16 15 14 13 12 11 10 9 8 7 6 5 4 3 2 1 0 |         |            |       |   |                  |  |  |  |  |  |  |  |  |  |  |  |  |  |  |  |  |  |  |  |  |  |   |  |  |   |
|------------------|---|---------|------------|-------|---|------------------|--|--|--|--|--|--|--|--|--|--|--|--|--|--|--|--|--|--|--|--|--|---|--|--|---|
| Id               |   |         |            |       |   |                  |  |  |  |  |  |  |  |  |  |  |  |  |  |  |  |  |  |  |  |  |  | A |  |  | A |
| Reset 0x00000001 | 0 1             |         |            |       |   |                  |  |  |  |  |  |  |  |  |  |  |  |  |  |  |  |  |  |  |  |  |  |   |  |  |   |
| Id               | RW  | Field   | Value Id   | Value | Description   |                  |  |  |  |  |  |  |  |  |  |  |  |  |  |  |  |  |  |  |  |  |  |   |  |  |   |
| A                | R   | SEMSTAT |            |       |   | Semaphore status |  |  |  |  |  |  |  |  |  |  |  |  |  |  |  |  |  |  |  |  |  |   |  |  |   |
|                  |   |         | Free       | 0     | Semaphore is free   |                  |  |  |  |  |  |  |  |  |  |  |  |  |  |  |  |  |  |  |  |  |  |   |  |  |   |
|                  |   |         | CPU        | 1     | Semaphore is assigned to CPU                                      |                  |  |  |  |  |  |  |  |  |  |  |  |  |  |  |  |  |  |  |  |  |  |   |  |  |   |
|                  |   |         | SPIS       | 2     | Semaphore is assigned to SPI slave                                |                  |  |  |  |  |  |  |  |  |  |  |  |  |  |  |  |  |  |  |  |  |  |   |  |  |   |
|                  |   |         | CPUPending | 3     | Semaphore is assigned to SPI but a handover to the CPU is pending |                  |  |  |  |  |  |  |  |  |  |  |  |  |  |  |  |  |  |  |  |  |  |   |  |  |   |

### 32.5.5 STATUS

Address offset: 0x440

Status from last transaction

Individual bits are cleared by writing a '1' to the bits that shall be cleared

| Bit number       | 31 30 29 28 27 26 25 24 23 22 21 20 19 18 17 16 15 14 13 12 11 10 9 8 7 6 5 4 3 2 1 0 |          |            |       |                                   |   |  |  |  |  |  |  |  |  |  |  |  |  |  |  |  |  |  |  |  |  |  |   |  |   |  |
|------------------|---|----------|------------|-------|-----------------------------------|---|--|--|--|--|--|--|--|--|--|--|--|--|--|--|--|--|--|--|--|--|--|---|--|---|--|
| Id               |   |          |            |       |                                   |   |  |  |  |  |  |  |  |  |  |  |  |  |  |  |  |  |  |  |  |  |  | B |  | A |  |
| Reset 0x00000000 | 0             |          |            |       |                                   |   |  |  |  |  |  |  |  |  |  |  |  |  |  |  |  |  |  |  |  |  |  |   |  |   |  |
| Id               | RW  | Field    | Value Id   | Value | Description                       |   |  |  |  |  |  |  |  |  |  |  |  |  |  |  |  |  |  |  |  |  |  |   |  |   |  |
| A                | RW  | OVERREAD |            |       |                                   | TX buffer over-read detected, and prevented |  |  |  |  |  |  |  |  |  |  |  |  |  |  |  |  |  |  |  |  |  |   |  |   |  |
|                  |   |          | NotPresent | 0     | Read: error not present           |   |  |  |  |  |  |  |  |  |  |  |  |  |  |  |  |  |  |  |  |  |  |   |  |   |  |
|                  |   |          | Present    | 1     | Read: error present               |   |  |  |  |  |  |  |  |  |  |  |  |  |  |  |  |  |  |  |  |  |  |   |  |   |  |
|                  |   |          | Clear      | 1     | Write: clear error on writing '1' |   |  |  |  |  |  |  |  |  |  |  |  |  |  |  |  |  |  |  |  |  |  |   |  |   |  |
| B                | RW  | OVERFLOW |            |       |                                   | RX buffer overflow detected, and prevented  |  |  |  |  |  |  |  |  |  |  |  |  |  |  |  |  |  |  |  |  |  |   |  |   |  |
|                  |   |          | NotPresent | 0     | Read: error not present           |   |  |  |  |  |  |  |  |  |  |  |  |  |  |  |  |  |  |  |  |  |  |   |  |   |  |
|                  |   |          | Present    | 1     | Read: error present               |   |  |  |  |  |  |  |  |  |  |  |  |  |  |  |  |  |  |  |  |  |  |   |  |   |  |
|                  |   |          | Clear      | 1     | Write: clear error on writing '1' |   |  |  |  |  |  |  |  |  |  |  |  |  |  |  |  |  |  |  |  |  |  |   |  |   |  |

### 32.5.6 ENABLE

Address offset: 0x500

Enable SPI slave

| Bit number       | 31 30 29 28 27 26 25 24 23 22 21 20 19 18 17 16 15 14 13 12 11 10 9 8 7 6 5 4 3 2 1 0 |        |          |       |             |                             |  |  |  |  |  |  |  |  |  |  |  |  |  |  |  |  |  |  |  |  |  |   |  |  |   |   |   |
|------------------|---|--------|----------|-------|-------------|-----------------------------|--|--|--|--|--|--|--|--|--|--|--|--|--|--|--|--|--|--|--|--|--|---|--|--|---|---|---|
| Id               |   |        |          |       |             |                             |  |  |  |  |  |  |  |  |  |  |  |  |  |  |  |  |  |  |  |  |  | A |  |  | A | A | A |
| Reset 0x00000000 | 0             |        |          |       |             |                             |  |  |  |  |  |  |  |  |  |  |  |  |  |  |  |  |  |  |  |  |  |   |  |  |   |   |   |
| Id               | RW  | Field  | Value Id | Value | Description |                             |  |  |  |  |  |  |  |  |  |  |  |  |  |  |  |  |  |  |  |  |  |   |  |  |   |   |   |
| A                | RW  | ENABLE |          |       |             | Enable or disable SPI slave |  |  |  |  |  |  |  |  |  |  |  |  |  |  |  |  |  |  |  |  |  |   |  |  |   |   |   |

| Bit number       | 31 | 30    | 29       | 28    | 27                | 26 | 25 | 24 | 23 | 22 | 21 | 20 | 19 | 18 | 17 | 16 | 15 | 14 | 13 | 12 | 11 | 10 | 9 | 8 | 7 | 6 | 5 | 4 | 3 | 2 | 1 | 0 |
|------------------|----|-------|----------|-------|-------------------|----|----|----|----|----|----|----|----|----|----|----|----|----|----|----|----|----|---|---|---|---|---|---|---|---|---|---|
| Id               |    |       |          |       |                   |    |    |    |    |    |    |    |    |    |    |    |    |    |    |    |    |    |   |   |   |   |   |   | A | A | A | A |
| Reset 0x00000000 | 0  | 0     | 0        | 0     | 0                 | 0  | 0  | 0  | 0  | 0  | 0  | 0  | 0  | 0  | 0  | 0  | 0  | 0  | 0  | 0  | 0  | 0  | 0 | 0 | 0 | 0 | 0 | 0 | 0 | 0 | 0 | 0 |
| Id               | RW | Field | Value Id | Value | Description       |    |    |    |    |    |    |    |    |    |    |    |    |    |    |    |    |    |   |   |   |   |   |   |   |   |   |   |
|                  |    |       | Disabled | 0     | Disable SPI slave |    |    |    |    |    |    |    |    |    |    |    |    |    |    |    |    |    |   |   |   |   |   |   |   |   |   |   |
|                  |    |       | Enabled  | 2     | Enable SPI slave  |    |    |    |    |    |    |    |    |    |    |    |    |    |    |    |    |    |   |   |   |   |   |   |   |   |   |   |

### 32.5.7 PSELSCK ( Deprecated )

Address offset: 0x508

Pin select for SCK

| Bit number       | 31 | 30      | 29           | 28         | 27  | 26 | 25 | 24 | 23 | 22 | 21 | 20 | 19 | 18 | 17 | 16 | 15 | 14 | 13 | 12 | 11 | 10 | 9 | 8 | 7 | 6 | 5 | 4 | 3 | 2 | 1 | 0 |
|------------------|----|---------|--------------|------------|---|----|----|----|----|----|----|----|----|----|----|----|----|----|----|----|----|----|---|---|---|---|---|---|---|---|---|---|
| Id               | A  | A       | A            | A          | A   | A  | A  | A  | A  | A  | A  | A  | A  | A  | A  | A  | A  | A  | A  | A  | A  | A  | A | A | A | A | A | A | A | A | A | A |
| Reset 0xFFFFFFFF | 1  | 1       | 1            | 1          | 1   | 1  | 1  | 1  | 1  | 1  | 1  | 1  | 1  | 1  | 1  | 1  | 1  | 1  | 1  | 1  | 1  | 1  | 1 | 1 | 1 | 1 | 1 | 1 | 1 | 1 | 1 |   |
| Id               | RW | Field   | Value Id     | Value      | Description                                 |    |    |    |    |    |    |    |    |    |    |    |    |    |    |    |    |    |   |   |   |   |   |   |   |   |   |   |
| A                | RW | PSELSCK |              | [0..31]    | Pin number configuration for SPI SCK signal |    |    |    |    |    |    |    |    |    |    |    |    |    |    |    |    |    |   |   |   |   |   |   |   |   |   |   |
|                  |    |         | Disconnected | 0xFFFFFFFF | Disconnect                                  |    |    |    |    |    |    |    |    |    |    |    |    |    |    |    |    |    |   |   |   |   |   |   |   |   |   |   |

### 32.5.8 PSELMISO ( Deprecated )

Address offset: 0x50C

Pin select for MISO

| Bit number       | 31 | 30       | 29           | 28         | 27   | 26 | 25 | 24 | 23 | 22 | 21 | 20 | 19 | 18 | 17 | 16 | 15 | 14 | 13 | 12 | 11 | 10 | 9 | 8 | 7 | 6 | 5 | 4 | 3 | 2 | 1 | 0 |
|------------------|----|----------|--------------|------------|--|----|----|----|----|----|----|----|----|----|----|----|----|----|----|----|----|----|---|---|---|---|---|---|---|---|---|---|
| Id               | A  | A        | A            | A          | A  | A  | A  | A  | A  | A  | A  | A  | A  | A  | A  | A  | A  | A  | A  | A  | A  | A  | A | A | A | A | A | A | A | A | A | A |
| Reset 0xFFFFFFFF | 1  | 1        | 1            | 1          | 1  | 1  | 1  | 1  | 1  | 1  | 1  | 1  | 1  | 1  | 1  | 1  | 1  | 1  | 1  | 1  | 1  | 1  | 1 | 1 | 1 | 1 | 1 | 1 | 1 | 1 | 1 |   |
| Id               | RW | Field    | Value Id     | Value      | Description                                  |    |    |    |    |    |    |    |    |    |    |    |    |    |    |    |    |    |   |   |   |   |   |   |   |   |   |   |
| A                | RW | PSELMISO |              | [0..31]    | Pin number configuration for SPI MISO signal |    |    |    |    |    |    |    |    |    |    |    |    |    |    |    |    |    |   |   |   |   |   |   |   |   |   |   |
|                  |    |          | Disconnected | 0xFFFFFFFF | Disconnect                                   |    |    |    |    |    |    |    |    |    |    |    |    |    |    |    |    |    |   |   |   |   |   |   |   |   |   |   |

### 32.5.9 PSELMOSI ( Deprecated )

Address offset: 0x510

Pin select for MOSI

| Bit number       | 31 | 30       | 29           | 28         | 27   | 26 | 25 | 24 | 23 | 22 | 21 | 20 | 19 | 18 | 17 | 16 | 15 | 14 | 13 | 12 | 11 | 10 | 9 | 8 | 7 | 6 | 5 | 4 | 3 | 2 | 1 | 0 |
|------------------|----|----------|--------------|------------|--|----|----|----|----|----|----|----|----|----|----|----|----|----|----|----|----|----|---|---|---|---|---|---|---|---|---|---|
| Id               | A  | A        | A            | A          | A  | A  | A  | A  | A  | A  | A  | A  | A  | A  | A  | A  | A  | A  | A  | A  | A  | A  | A | A | A | A | A | A | A | A | A | A |
| Reset 0xFFFFFFFF | 1  | 1        | 1            | 1          | 1  | 1  | 1  | 1  | 1  | 1  | 1  | 1  | 1  | 1  | 1  | 1  | 1  | 1  | 1  | 1  | 1  | 1  | 1 | 1 | 1 | 1 | 1 | 1 | 1 | 1 | 1 |   |
| Id               | RW | Field    | Value Id     | Value      | Description                                  |    |    |    |    |    |    |    |    |    |    |    |    |    |    |    |    |    |   |   |   |   |   |   |   |   |   |   |
| A                | RW | PSELMOSI |              | [0..31]    | Pin number configuration for SPI MOSI signal |    |    |    |    |    |    |    |    |    |    |    |    |    |    |    |    |    |   |   |   |   |   |   |   |   |   |   |
|                  |    |          | Disconnected | 0xFFFFFFFF | Disconnect                                   |    |    |    |    |    |    |    |    |    |    |    |    |    |    |    |    |    |   |   |   |   |   |   |   |   |   |   |

### 32.5.10 PSELCSN ( Deprecated )

Address offset: 0x514

Pin select for CSN

| Bit number       | 31 | 30      | 29           | 28         | 27  | 26 | 25 | 24 | 23 | 22 | 21 | 20 | 19 | 18 | 17 | 16 | 15 | 14 | 13 | 12 | 11 | 10 | 9 | 8 | 7 | 6 | 5 | 4 | 3 | 2 | 1 | 0 |
|------------------|----|---------|--------------|------------|---|----|----|----|----|----|----|----|----|----|----|----|----|----|----|----|----|----|---|---|---|---|---|---|---|---|---|---|
| Id               | A  | A       | A            | A          | A   | A  | A  | A  | A  | A  | A  | A  | A  | A  | A  | A  | A  | A  | A  | A  | A  | A  | A | A | A | A | A | A | A | A | A | A |
| Reset 0xFFFFFFFF | 1  | 1       | 1            | 1          | 1   | 1  | 1  | 1  | 1  | 1  | 1  | 1  | 1  | 1  | 1  | 1  | 1  | 1  | 1  | 1  | 1  | 1  | 1 | 1 | 1 | 1 | 1 | 1 | 1 | 1 | 1 |   |
| Id               | RW | Field   | Value Id     | Value      | Description                                 |    |    |    |    |    |    |    |    |    |    |    |    |    |    |    |    |    |   |   |   |   |   |   |   |   |   |   |
| A                | RW | PSELCSN |              | [0..31]    | Pin number configuration for SPI CSN signal |    |    |    |    |    |    |    |    |    |    |    |    |    |    |    |    |    |   |   |   |   |   |   |   |   |   |   |
|                  |    |         | Disconnected | 0xFFFFFFFF | Disconnect                                  |    |    |    |    |    |    |    |    |    |    |    |    |    |    |    |    |    |   |   |   |   |   |   |   |   |   |   |

### 32.5.11 PSEL.SCK

Address offset: 0x508

Pin select for SCK

| Bit number       | 31 | 30      | 29           | 28      | 27          | 26 | 25 | 24 | 23 | 22 | 21 | 20 | 19 | 18 | 17 | 16 | 15 | 14 | 13 | 12 | 11 | 10 | 9 | 8 | 7 | 6 | 5 | 4 | 3 | 2 | 1 | 0 |
|------------------|----|---------|--------------|---------|-------------|----|----|----|----|----|----|----|----|----|----|----|----|----|----|----|----|----|---|---|---|---|---|---|---|---|---|---|
| Id               | B  |         |              |         |             |    |    |    |    |    |    |    |    |    |    |    |    |    |    |    |    |    |   |   |   |   |   |   |   |   |   |   |
| Reset 0xFFFFFFFF | 1  | 1       | 1            | 1       | 1           | 1  | 1  | 1  | 1  | 1  | 1  | 1  | 1  | 1  | 1  | 1  | 1  | 1  | 1  | 1  | 1  | 1  | 1 | 1 | 1 | 1 | 1 | 1 | 1 | 1 | 1 | 1 |
| Id               | RW | Field   | Value Id     | Value   | Description |    |    |    |    |    |    |    |    |    |    |    |    |    |    |    |    |    |   |   |   |   |   |   |   |   |   |   |
| A                | RW | PIN     |              | [0..31] | Pin number  |    |    |    |    |    |    |    |    |    |    |    |    |    |    |    |    |    |   |   |   |   |   |   |   |   |   |   |
| B                | RW | CONNECT | Disconnected | 1       | Disconnect  |    |    |    |    |    |    |    |    |    |    |    |    |    |    |    |    |    |   |   |   |   |   |   |   |   |   |   |
|                  |    |         | Connected    | 0       | Connect     |    |    |    |    |    |    |    |    |    |    |    |    |    |    |    |    |    |   |   |   |   |   |   |   |   |   |   |

### 32.5.12 PSEL.MISO

Address offset: 0x50C

Pin select for MISO signal

| Bit number       | 31 | 30      | 29           | 28      | 27          | 26 | 25 | 24 | 23 | 22 | 21 | 20 | 19 | 18 | 17 | 16 | 15 | 14 | 13 | 12 | 11 | 10 | 9 | 8 | 7 | 6 | 5 | 4 | 3 | 2 | 1 | 0 |
|------------------|----|---------|--------------|---------|-------------|----|----|----|----|----|----|----|----|----|----|----|----|----|----|----|----|----|---|---|---|---|---|---|---|---|---|---|
| Id               | B  |         |              |         |             |    |    |    |    |    |    |    |    |    |    |    |    |    |    |    |    |    |   |   |   |   |   |   |   |   |   |   |
| Reset 0xFFFFFFFF | 1  | 1       | 1            | 1       | 1           | 1  | 1  | 1  | 1  | 1  | 1  | 1  | 1  | 1  | 1  | 1  | 1  | 1  | 1  | 1  | 1  | 1  | 1 | 1 | 1 | 1 | 1 | 1 | 1 | 1 | 1 |   |
| Id               | RW | Field   | Value Id     | Value   | Description |    |    |    |    |    |    |    |    |    |    |    |    |    |    |    |    |    |   |   |   |   |   |   |   |   |   |   |
| A                | RW | PIN     |              | [0..31] | Pin number  |    |    |    |    |    |    |    |    |    |    |    |    |    |    |    |    |    |   |   |   |   |   |   |   |   |   |   |
| B                | RW | CONNECT | Disconnected | 1       | Disconnect  |    |    |    |    |    |    |    |    |    |    |    |    |    |    |    |    |    |   |   |   |   |   |   |   |   |   |   |
|                  |    |         | Connected    | 0       | Connect     |    |    |    |    |    |    |    |    |    |    |    |    |    |    |    |    |    |   |   |   |   |   |   |   |   |   |   |

### 32.5.13 PSEL.MOSI

Address offset: 0x510

Pin select for MOSI signal

| Bit number       | 31 | 30      | 29           | 28      | 27          | 26 | 25 | 24 | 23 | 22 | 21 | 20 | 19 | 18 | 17 | 16 | 15 | 14 | 13 | 12 | 11 | 10 | 9 | 8 | 7 | 6 | 5 | 4 | 3 | 2 | 1 | 0 |
|------------------|----|---------|--------------|---------|-------------|----|----|----|----|----|----|----|----|----|----|----|----|----|----|----|----|----|---|---|---|---|---|---|---|---|---|---|
| Id               | B  |         |              |         |             |    |    |    |    |    |    |    |    |    |    |    |    |    |    |    |    |    |   |   |   |   |   |   |   |   |   |   |
| Reset 0xFFFFFFFF | 1  | 1       | 1            | 1       | 1           | 1  | 1  | 1  | 1  | 1  | 1  | 1  | 1  | 1  | 1  | 1  | 1  | 1  | 1  | 1  | 1  | 1  | 1 | 1 | 1 | 1 | 1 | 1 | 1 | 1 | 1 |   |
| Id               | RW | Field   | Value Id     | Value   | Description |    |    |    |    |    |    |    |    |    |    |    |    |    |    |    |    |    |   |   |   |   |   |   |   |   |   |   |
| A                | RW | PIN     |              | [0..31] | Pin number  |    |    |    |    |    |    |    |    |    |    |    |    |    |    |    |    |    |   |   |   |   |   |   |   |   |   |   |
| B                | RW | CONNECT | Disconnected | 1       | Disconnect  |    |    |    |    |    |    |    |    |    |    |    |    |    |    |    |    |    |   |   |   |   |   |   |   |   |   |   |
|                  |    |         | Connected    | 0       | Connect     |    |    |    |    |    |    |    |    |    |    |    |    |    |    |    |    |    |   |   |   |   |   |   |   |   |   |   |

### 32.5.14 PSEL.CSN

Address offset: 0x514

Pin select for CSN signal

| Bit number       | 31 | 30      | 29           | 28      | 27          | 26 | 25 | 24 | 23 | 22 | 21 | 20 | 19 | 18 | 17 | 16 | 15 | 14 | 13 | 12 | 11 | 10 | 9 | 8 | 7 | 6 | 5 | 4 | 3 | 2 | 1 | 0 |
|------------------|----|---------|--------------|---------|-------------|----|----|----|----|----|----|----|----|----|----|----|----|----|----|----|----|----|---|---|---|---|---|---|---|---|---|---|
| Id               | B  |         |              |         |             |    |    |    |    |    |    |    |    |    |    |    |    |    |    |    |    |    |   |   |   |   |   |   |   |   |   |   |
| Reset 0xFFFFFFFF | 1  | 1       | 1            | 1       | 1           | 1  | 1  | 1  | 1  | 1  | 1  | 1  | 1  | 1  | 1  | 1  | 1  | 1  | 1  | 1  | 1  | 1  | 1 | 1 | 1 | 1 | 1 | 1 | 1 | 1 | 1 |   |
| Id               | RW | Field   | Value Id     | Value   | Description |    |    |    |    |    |    |    |    |    |    |    |    |    |    |    |    |    |   |   |   |   |   |   |   |   |   |   |
| A                | RW | PIN     |              | [0..31] | Pin number  |    |    |    |    |    |    |    |    |    |    |    |    |    |    |    |    |    |   |   |   |   |   |   |   |   |   |   |
| B                | RW | CONNECT | Disconnected | 1       | Disconnect  |    |    |    |    |    |    |    |    |    |    |    |    |    |    |    |    |    |   |   |   |   |   |   |   |   |   |   |
|                  |    |         | Connected    | 0       | Connect     |    |    |    |    |    |    |    |    |    |    |    |    |    |    |    |    |    |   |   |   |   |   |   |   |   |   |   |

### 32.5.15 RXDPTR ( Deprecated )

Address offset: 0x534

RXD data pointer

|                  |           |              |                 |              |                    |    |    |    |    |    |    |    |    |    |    |    |    |    |    |    |    |    |   |   |   |   |   |   |   |   |   |   |   |
|------------------|-----------|--------------|-----------------|--------------|--------------------|----|----|----|----|----|----|----|----|----|----|----|----|----|----|----|----|----|---|---|---|---|---|---|---|---|---|---|---|
| Bit number       | 31        | 30           | 29              | 28           | 27                 | 26 | 25 | 24 | 23 | 22 | 21 | 20 | 19 | 18 | 17 | 16 | 15 | 14 | 13 | 12 | 11 | 10 | 9 | 8 | 7 | 6 | 5 | 4 | 3 | 2 | 1 | 0 |   |
| Id               | A         | A            | A               | A            | A                  | A  | A  | A  | A  | A  | A  | A  | A  | A  | A  | A  | A  | A  | A  | A  | A  | A  | A | A | A | A | A | A | A | A | A | A | A |
| Reset 0x00000000 | 0         | 0            | 0               | 0            | 0                  | 0  | 0  | 0  | 0  | 0  | 0  | 0  | 0  | 0  | 0  | 0  | 0  | 0  | 0  | 0  | 0  | 0  | 0 | 0 | 0 | 0 | 0 | 0 | 0 | 0 | 0 | 0 | 0 |
| <b>Id</b>        | <b>RW</b> | <b>Field</b> | <b>Value Id</b> | <b>Value</b> | <b>Description</b> |    |    |    |    |    |    |    |    |    |    |    |    |    |    |    |    |    |   |   |   |   |   |   |   |   |   |   |   |
| A                | RW        | RXDPTR       |                 |              | RXD data pointer   |    |    |    |    |    |    |    |    |    |    |    |    |    |    |    |    |    |   |   |   |   |   |   |   |   |   |   |   |

### 32.5.16 MAXRX ( Deprecated )

Address offset: 0x538

Maximum number of bytes in receive buffer

|                  |           |              |                 |              |   |    |    |    |    |    |    |    |    |    |    |    |    |    |    |    |    |    |   |   |   |   |   |   |   |   |   |   |
|------------------|-----------|--------------|-----------------|--------------|---|----|----|----|----|----|----|----|----|----|----|----|----|----|----|----|----|----|---|---|---|---|---|---|---|---|---|---|
| Bit number       | 31        | 30           | 29              | 28           | 27  | 26 | 25 | 24 | 23 | 22 | 21 | 20 | 19 | 18 | 17 | 16 | 15 | 14 | 13 | 12 | 11 | 10 | 9 | 8 | 7 | 6 | 5 | 4 | 3 | 2 | 1 | 0 |
| Id               |           |              |                 |              |   |    |    |    |    |    |    |    |    |    |    |    |    |    |    |    |    |    |   |   | A | A | A | A | A | A | A | A |
| Reset 0x00000000 | 0         | 0            | 0               | 0            | 0   | 0  | 0  | 0  | 0  | 0  | 0  | 0  | 0  | 0  | 0  | 0  | 0  | 0  | 0  | 0  | 0  | 0  | 0 | 0 | 0 | 0 | 0 | 0 | 0 | 0 | 0 | 0 |
| <b>Id</b>        | <b>RW</b> | <b>Field</b> | <b>Value Id</b> | <b>Value</b> | <b>Description</b>                        |    |    |    |    |    |    |    |    |    |    |    |    |    |    |    |    |    |   |   |   |   |   |   |   |   |   |   |
| A                | RW        | MAXRX        |                 |              | Maximum number of bytes in receive buffer |    |    |    |    |    |    |    |    |    |    |    |    |    |    |    |    |    |   |   |   |   |   |   |   |   |   |   |

### 32.5.17 AMOUNTRX ( Deprecated )

Address offset: 0x53C

Number of bytes received in last granted transaction

|                  |           |              |                 |              |  |    |    |    |    |    |    |    |    |    |    |    |    |    |    |    |    |    |   |   |   |   |   |   |   |   |   |   |
|------------------|-----------|--------------|-----------------|--------------|--|----|----|----|----|----|----|----|----|----|----|----|----|----|----|----|----|----|---|---|---|---|---|---|---|---|---|---|
| Bit number       | 31        | 30           | 29              | 28           | 27   | 26 | 25 | 24 | 23 | 22 | 21 | 20 | 19 | 18 | 17 | 16 | 15 | 14 | 13 | 12 | 11 | 10 | 9 | 8 | 7 | 6 | 5 | 4 | 3 | 2 | 1 | 0 |
| Id               |           |              |                 |              |  |    |    |    |    |    |    |    |    |    |    |    |    |    |    |    |    |    |   |   |   | A | A | A | A | A | A | A |
| Reset 0x00000000 | 0         | 0            | 0               | 0            | 0  | 0  | 0  | 0  | 0  | 0  | 0  | 0  | 0  | 0  | 0  | 0  | 0  | 0  | 0  | 0  | 0  | 0  | 0 | 0 | 0 | 0 | 0 | 0 | 0 | 0 | 0 | 0 |
| <b>Id</b>        | <b>RW</b> | <b>Field</b> | <b>Value Id</b> | <b>Value</b> | <b>Description</b>                                       |    |    |    |    |    |    |    |    |    |    |    |    |    |    |    |    |    |   |   |   |   |   |   |   |   |   |   |
| A                | R         | AMOUNTRX     |                 |              | Number of bytes received in the last granted transaction |    |    |    |    |    |    |    |    |    |    |    |    |    |    |    |    |    |   |   |   |   |   |   |   |   |   |   |

### 32.5.18 RXD.PTR

Address offset: 0x534

RXD data pointer

|                  |           |              |                 |              |                    |    |    |    |    |    |    |    |    |    |    |    |    |    |    |    |    |    |   |   |   |   |   |   |   |   |   |   |
|------------------|-----------|--------------|-----------------|--------------|--------------------|----|----|----|----|----|----|----|----|----|----|----|----|----|----|----|----|----|---|---|---|---|---|---|---|---|---|---|
| Bit number       | 31        | 30           | 29              | 28           | 27                 | 26 | 25 | 24 | 23 | 22 | 21 | 20 | 19 | 18 | 17 | 16 | 15 | 14 | 13 | 12 | 11 | 10 | 9 | 8 | 7 | 6 | 5 | 4 | 3 | 2 | 1 | 0 |
| Id               | A         | A            | A               | A            | A                  | A  | A  | A  | A  | A  | A  | A  | A  | A  | A  | A  | A  | A  | A  | A  | A  | A  | A | A | A | A | A | A | A | A | A |   |
| Reset 0x00000000 | 0         | 0            | 0               | 0            | 0                  | 0  | 0  | 0  | 0  | 0  | 0  | 0  | 0  | 0  | 0  | 0  | 0  | 0  | 0  | 0  | 0  | 0  | 0 | 0 | 0 | 0 | 0 | 0 | 0 | 0 | 0 | 0 |
| <b>Id</b>        | <b>RW</b> | <b>Field</b> | <b>Value Id</b> | <b>Value</b> | <b>Description</b> |    |    |    |    |    |    |    |    |    |    |    |    |    |    |    |    |    |   |   |   |   |   |   |   |   |   |   |
| A                | RW        | PTR          |                 |              | RXD data pointer   |    |    |    |    |    |    |    |    |    |    |    |    |    |    |    |    |    |   |   |   |   |   |   |   |   |   |   |

### 32.5.19 RXD.MAXCNT

Address offset: 0x538

Maximum number of bytes in receive buffer

|                  |           |              |                 |              |   |    |    |    |    |    |    |    |    |    |    |    |    |    |    |    |    |    |   |   |   |   |   |   |   |   |   |   |
|------------------|-----------|--------------|-----------------|--------------|---|----|----|----|----|----|----|----|----|----|----|----|----|----|----|----|----|----|---|---|---|---|---|---|---|---|---|---|
| Bit number       | 31        | 30           | 29              | 28           | 27  | 26 | 25 | 24 | 23 | 22 | 21 | 20 | 19 | 18 | 17 | 16 | 15 | 14 | 13 | 12 | 11 | 10 | 9 | 8 | 7 | 6 | 5 | 4 | 3 | 2 | 1 | 0 |
| Id               |           |              |                 |              |   |    |    |    |    |    |    |    |    |    |    |    |    |    |    |    |    |    |   |   |   | A | A | A | A | A | A | A |
| Reset 0x00000000 | 0         | 0            | 0               | 0            | 0   | 0  | 0  | 0  | 0  | 0  | 0  | 0  | 0  | 0  | 0  | 0  | 0  | 0  | 0  | 0  | 0  | 0  | 0 | 0 | 0 | 0 | 0 | 0 | 0 | 0 | 0 | 0 |
| <b>Id</b>        | <b>RW</b> | <b>Field</b> | <b>Value Id</b> | <b>Value</b> | <b>Description</b>                        |    |    |    |    |    |    |    |    |    |    |    |    |    |    |    |    |    |   |   |   |   |   |   |   |   |   |   |
| A                | RW        | MAXCNT       |                 |              | Maximum number of bytes in receive buffer |    |    |    |    |    |    |    |    |    |    |    |    |    |    |    |    |    |   |   |   |   |   |   |   |   |   |   |

### 32.5.20 RXD.AMOUNT

Address offset: 0x53C

Number of bytes received in last granted transaction

|                  |           |              |                 |              |  |    |    |    |    |    |    |    |    |    |    |    |    |    |    |    |    |    |   |   |   |   |   |   |   |   |   |   |
|------------------|-----------|--------------|-----------------|--------------|--|----|----|----|----|----|----|----|----|----|----|----|----|----|----|----|----|----|---|---|---|---|---|---|---|---|---|---|
| Bit number       | 31        | 30           | 29              | 28           | 27   | 26 | 25 | 24 | 23 | 22 | 21 | 20 | 19 | 18 | 17 | 16 | 15 | 14 | 13 | 12 | 11 | 10 | 9 | 8 | 7 | 6 | 5 | 4 | 3 | 2 | 1 | 0 |
| Id               |           |              |                 |              |  |    |    |    |    |    |    |    |    |    |    |    |    |    |    |    |    |    |   |   |   | A | A | A | A | A | A | A |
| Reset 0x00000000 | 0         | 0            | 0               | 0            | 0  | 0  | 0  | 0  | 0  | 0  | 0  | 0  | 0  | 0  | 0  | 0  | 0  | 0  | 0  | 0  | 0  | 0  | 0 | 0 | 0 | 0 | 0 | 0 | 0 | 0 | 0 | 0 |
| <b>Id</b>        | <b>RW</b> | <b>Field</b> | <b>Value Id</b> | <b>Value</b> | <b>Description</b>                                       |    |    |    |    |    |    |    |    |    |    |    |    |    |    |    |    |    |   |   |   |   |   |   |   |   |   |   |
| A                | R         | AMOUNT       |                 |              | Number of bytes received in the last granted transaction |    |    |    |    |    |    |    |    |    |    |    |    |    |    |    |    |    |   |   |   |   |   |   |   |   |   |   |

### 32.5.21 TXDPTR ( Deprecated )

Address offset: 0x544

TXD data pointer

| Bit number       | 31 | 30     | 29       | 28    | 27               | 26 | 25 | 24 | 23 | 22 | 21 | 20 | 19 | 18 | 17 | 16 | 15 | 14 | 13 | 12 | 11 | 10 | 9 | 8 | 7 | 6 | 5 | 4 | 3 | 2 | 1 | 0 |   |
|------------------|----|--------|----------|-------|------------------|----|----|----|----|----|----|----|----|----|----|----|----|----|----|----|----|----|---|---|---|---|---|---|---|---|---|---|---|
| Id               | A  | A      | A        | A     | A                | A  | A  | A  | A  | A  | A  | A  | A  | A  | A  | A  | A  | A  | A  | A  | A  | A  | A | A | A | A | A | A | A | A | A | A | A |
| Reset 0x00000000 | 0  | 0      | 0        | 0     | 0                | 0  | 0  | 0  | 0  | 0  | 0  | 0  | 0  | 0  | 0  | 0  | 0  | 0  | 0  | 0  | 0  | 0  | 0 | 0 | 0 | 0 | 0 | 0 | 0 | 0 | 0 | 0 |   |
| Id               | RW | Field  | Value Id | Value | Description      |    |    |    |    |    |    |    |    |    |    |    |    |    |    |    |    |    |   |   |   |   |   |   |   |   |   |   |   |
| A                | RW | TXDPTR |          |       | TXD data pointer |    |    |    |    |    |    |    |    |    |    |    |    |    |    |    |    |    |   |   |   |   |   |   |   |   |   |   |   |

### 32.5.22 MAXTX ( Deprecated )

Address offset: 0x548

Maximum number of bytes in transmit buffer

| Bit number       | 31 | 30    | 29       | 28    | 27   | 26 | 25 | 24 | 23 | 22 | 21 | 20 | 19 | 18 | 17 | 16 | 15 | 14 | 13 | 12 | 11 | 10 | 9 | 8 | 7 | 6 | 5 | 4 | 3 | 2 | 1 | 0 |
|------------------|----|-------|----------|-------|--|----|----|----|----|----|----|----|----|----|----|----|----|----|----|----|----|----|---|---|---|---|---|---|---|---|---|---|
| Id               |    |       |          |       |  |    |    |    |    |    |    |    |    |    |    |    |    |    |    |    |    |    |   |   | A | A | A | A | A | A | A | A |
| Reset 0x00000000 | 0  | 0     | 0        | 0     | 0  | 0  | 0  | 0  | 0  | 0  | 0  | 0  | 0  | 0  | 0  | 0  | 0  | 0  | 0  | 0  | 0  | 0  | 0 | 0 | 0 | 0 | 0 | 0 | 0 | 0 | 0 | 0 |
| Id               | RW | Field | Value Id | Value | Description                                |    |    |    |    |    |    |    |    |    |    |    |    |    |    |    |    |    |   |   |   |   |   |   |   |   |   |   |
| A                | RW | MAXTX |          |       | Maximum number of bytes in transmit buffer |    |    |    |    |    |    |    |    |    |    |    |    |    |    |    |    |    |   |   |   |   |   |   |   |   |   |   |

### 32.5.23 AMOUNTTX ( Deprecated )

Address offset: 0x54C

Number of bytes transmitted in last granted transaction

| Bit number       | 31 | 30       | 29       | 28    | 27  | 26 | 25 | 24 | 23 | 22 | 21 | 20 | 19 | 18 | 17 | 16 | 15 | 14 | 13 | 12 | 11 | 10 | 9 | 8 | 7 | 6 | 5 | 4 | 3 | 2 | 1 | 0 |
|------------------|----|----------|----------|-------|---|----|----|----|----|----|----|----|----|----|----|----|----|----|----|----|----|----|---|---|---|---|---|---|---|---|---|---|
| Id               |    |          |          |       |   |    |    |    |    |    |    |    |    |    |    |    |    |    |    |    |    |    |   |   |   | A | A | A | A | A | A | A |
| Reset 0x00000000 | 0  | 0        | 0        | 0     | 0   | 0  | 0  | 0  | 0  | 0  | 0  | 0  | 0  | 0  | 0  | 0  | 0  | 0  | 0  | 0  | 0  | 0  | 0 | 0 | 0 | 0 | 0 | 0 | 0 | 0 | 0 | 0 |
| Id               | RW | Field    | Value Id | Value | Description   |    |    |    |    |    |    |    |    |    |    |    |    |    |    |    |    |    |   |   |   |   |   |   |   |   |   |   |
| A                | R  | AMOUNTTX |          |       | Number of bytes transmitted in last granted transaction |    |    |    |    |    |    |    |    |    |    |    |    |    |    |    |    |    |   |   |   |   |   |   |   |   |   |   |

### 32.5.24 TXD.PTR

Address offset: 0x544

TXD data pointer

| Bit number       | 31 | 30    | 29       | 28    | 27               | 26 | 25 | 24 | 23 | 22 | 21 | 20 | 19 | 18 | 17 | 16 | 15 | 14 | 13 | 12 | 11 | 10 | 9 | 8 | 7 | 6 | 5 | 4 | 3 | 2 | 1 | 0 |
|------------------|----|-------|----------|-------|------------------|----|----|----|----|----|----|----|----|----|----|----|----|----|----|----|----|----|---|---|---|---|---|---|---|---|---|---|
| Id               | A  | A     | A        | A     | A                | A  | A  | A  | A  | A  | A  | A  | A  | A  | A  | A  | A  | A  | A  | A  | A  | A  | A | A | A | A | A | A | A | A | A | A |
| Reset 0x00000000 | 0  | 0     | 0        | 0     | 0                | 0  | 0  | 0  | 0  | 0  | 0  | 0  | 0  | 0  | 0  | 0  | 0  | 0  | 0  | 0  | 0  | 0  | 0 | 0 | 0 | 0 | 0 | 0 | 0 | 0 | 0 | 0 |
| Id               | RW | Field | Value Id | Value | Description      |    |    |    |    |    |    |    |    |    |    |    |    |    |    |    |    |    |   |   |   |   |   |   |   |   |   |   |
| A                | RW | PTR   |          |       | TXD data pointer |    |    |    |    |    |    |    |    |    |    |    |    |    |    |    |    |    |   |   |   |   |   |   |   |   |   |   |

### 32.5.25 TXD.MAXCNT

Address offset: 0x548

Maximum number of bytes in transmit buffer

| Bit number       | 31 | 30     | 29       | 28    | 27   | 26 | 25 | 24 | 23 | 22 | 21 | 20 | 19 | 18 | 17 | 16 | 15 | 14 | 13 | 12 | 11 | 10 | 9 | 8 | 7 | 6 | 5 | 4 | 3 | 2 | 1 | 0 |
|------------------|----|--------|----------|-------|--|----|----|----|----|----|----|----|----|----|----|----|----|----|----|----|----|----|---|---|---|---|---|---|---|---|---|---|
| Id               |    |        |          |       |  |    |    |    |    |    |    |    |    |    |    |    |    |    |    |    |    |    |   |   |   | A | A | A | A | A | A | A |
| Reset 0x00000000 | 0  | 0      | 0        | 0     | 0  | 0  | 0  | 0  | 0  | 0  | 0  | 0  | 0  | 0  | 0  | 0  | 0  | 0  | 0  | 0  | 0  | 0  | 0 | 0 | 0 | 0 | 0 | 0 | 0 | 0 | 0 | 0 |
| Id               | RW | Field  | Value Id | Value | Description                                |    |    |    |    |    |    |    |    |    |    |    |    |    |    |    |    |    |   |   |   |   |   |   |   |   |   |   |
| A                | RW | MAXCNT |          |       | Maximum number of bytes in transmit buffer |    |    |    |    |    |    |    |    |    |    |    |    |    |    |    |    |    |   |   |   |   |   |   |   |   |   |   |

### 32.5.26 TXD.AMOUNT

Address offset: 0x54C

Number of bytes transmitted in last granted transaction

| Bit number       | 31 | 30     | 29       | 28    | 27  | 26 | 25 | 24 | 23 | 22 | 21 | 20 | 19 | 18 | 17 | 16 | 15 | 14 | 13 | 12 | 11 | 10 | 9 | 8 | 7 | 6 | 5 | 4 | 3 | 2 | 1 | 0 |   |   |   |   |   |   |   |   |   |   |   |   |   |   |   |   |   |   |   |   |   |   |
|------------------|----|--------|----------|-------|---|----|----|----|----|----|----|----|----|----|----|----|----|----|----|----|----|----|---|---|---|---|---|---|---|---|---|---|---|---|---|---|---|---|---|---|---|---|---|---|---|---|---|---|---|---|---|---|---|---|
| Id               |    |        |          |       |   |    |    |    |    |    |    |    |    |    |    |    |    |    |    |    |    |    |   | A | A | A | A | A | A | A | A | A | A | A | A | A | A | A | A | A | A | A | A | A | A | A | A | A | A | A | A | A | A | A |
| Reset 0x00000000 | 0  | 0      | 0        | 0     | 0   | 0  | 0  | 0  | 0  | 0  | 0  | 0  | 0  | 0  | 0  | 0  | 0  | 0  | 0  | 0  | 0  | 0  | 0 | 0 | 0 | 0 | 0 | 0 | 0 | 0 | 0 | 0 | 0 | 0 |   |   |   |   |   |   |   |   |   |   |   |   |   |   |   |   |   |   |   |   |
| Id               | RW | Field  | Value Id | Value | Description   |    |    |    |    |    |    |    |    |    |    |    |    |    |    |    |    |    |   |   |   |   |   |   |   |   |   |   |   |   |   |   |   |   |   |   |   |   |   |   |   |   |   |   |   |   |   |   |   |   |
| A                | R  | AMOUNT |          |       | Number of bytes transmitted in last granted transaction |    |    |    |    |    |    |    |    |    |    |    |    |    |    |    |    |    |   |   |   |   |   |   |   |   |   |   |   |   |   |   |   |   |   |   |   |   |   |   |   |   |   |   |   |   |   |   |   |   |

### 32.5.27 CONFIG

Address offset: 0x554

Configuration register

| Bit number       | 31 | 30    | 29         | 28    | 27  | 26 | 25 | 24 | 23 | 22 | 21 | 20 | 19 | 18 | 17 | 16 | 15 | 14 | 13 | 12 | 11 | 10 | 9 | 8 | 7 | 6 | 5 | 4 | 3 | 2 | 1 | 0 |   |   |   |   |   |   |   |   |   |   |   |   |   |   |   |   |   |   |   |   |   |
|------------------|----|-------|------------|-------|---|----|----|----|----|----|----|----|----|----|----|----|----|----|----|----|----|----|---|---|---|---|---|---|---|---|---|---|---|---|---|---|---|---|---|---|---|---|---|---|---|---|---|---|---|---|---|---|---|
| Id               |    |       |            |       |   |    |    |    |    |    |    |    |    |    |    |    |    |    |    |    |    |    |   | C | B | A | A | A | A | A | A | A | A | A | A | A | A | A | A | A | A | A | A | A | A | A | A | A | A | A | A | A | A |
| Reset 0x00000000 | 0  | 0     | 0          | 0     | 0   | 0  | 0  | 0  | 0  | 0  | 0  | 0  | 0  | 0  | 0  | 0  | 0  | 0  | 0  | 0  | 0  | 0  | 0 | 0 | 0 | 0 | 0 | 0 | 0 | 0 | 0 | 0 | 0 |   |   |   |   |   |   |   |   |   |   |   |   |   |   |   |   |   |   |   |   |
| Id               | RW | Field | Value Id   | Value | Description   |    |    |    |    |    |    |    |    |    |    |    |    |    |    |    |    |    |   |   |   |   |   |   |   |   |   |   |   |   |   |   |   |   |   |   |   |   |   |   |   |   |   |   |   |   |   |   |   |
| A                | RW | ORDER |            |       | Bit order   |    |    |    |    |    |    |    |    |    |    |    |    |    |    |    |    |    |   |   |   |   |   |   |   |   |   |   |   |   |   |   |   |   |   |   |   |   |   |   |   |   |   |   |   |   |   |   |   |
|                  |    |       | MsbFirst   | 0     | Most significant bit shifted out first                              |    |    |    |    |    |    |    |    |    |    |    |    |    |    |    |    |    |   |   |   |   |   |   |   |   |   |   |   |   |   |   |   |   |   |   |   |   |   |   |   |   |   |   |   |   |   |   |   |
|                  |    |       | LsbFirst   | 1     | Least significant bit shifted out first                             |    |    |    |    |    |    |    |    |    |    |    |    |    |    |    |    |    |   |   |   |   |   |   |   |   |   |   |   |   |   |   |   |   |   |   |   |   |   |   |   |   |   |   |   |   |   |   |   |
| B                | RW | CPHA  |            |       | Serial clock (SCK) phase  |    |    |    |    |    |    |    |    |    |    |    |    |    |    |    |    |    |   |   |   |   |   |   |   |   |   |   |   |   |   |   |   |   |   |   |   |   |   |   |   |   |   |   |   |   |   |   |   |
|                  |    |       | Leading    | 0     | Sample on leading edge of clock, shift serial data on trailing edge |    |    |    |    |    |    |    |    |    |    |    |    |    |    |    |    |    |   |   |   |   |   |   |   |   |   |   |   |   |   |   |   |   |   |   |   |   |   |   |   |   |   |   |   |   |   |   |   |
|                  |    |       | Trailing   | 1     | Sample on trailing edge of clock, shift serial data on leading edge |    |    |    |    |    |    |    |    |    |    |    |    |    |    |    |    |    |   |   |   |   |   |   |   |   |   |   |   |   |   |   |   |   |   |   |   |   |   |   |   |   |   |   |   |   |   |   |   |
| C                | RW | CPOL  |            |       | Serial clock (SCK) polarity   |    |    |    |    |    |    |    |    |    |    |    |    |    |    |    |    |    |   |   |   |   |   |   |   |   |   |   |   |   |   |   |   |   |   |   |   |   |   |   |   |   |   |   |   |   |   |   |   |
|                  |    |       | ActiveHigh | 0     | Active high   |    |    |    |    |    |    |    |    |    |    |    |    |    |    |    |    |    |   |   |   |   |   |   |   |   |   |   |   |   |   |   |   |   |   |   |   |   |   |   |   |   |   |   |   |   |   |   |   |
|                  |    |       | ActiveLow  | 1     | Active low  |    |    |    |    |    |    |    |    |    |    |    |    |    |    |    |    |    |   |   |   |   |   |   |   |   |   |   |   |   |   |   |   |   |   |   |   |   |   |   |   |   |   |   |   |   |   |   |   |

### 32.5.28 DEF

Address offset: 0x55C

Default character. Character clocked out in case of an ignored transaction.

| Bit number       | 31 | 30    | 29       | 28    | 27  | 26 | 25 | 24 | 23 | 22 | 21 | 20 | 19 | 18 | 17 | 16 | 15 | 14 | 13 | 12 | 11 | 10 | 9 | 8 | 7 | 6 | 5 | 4 | 3 | 2 | 1 | 0 |   |   |   |   |   |   |   |   |   |   |   |   |   |   |   |   |   |   |   |   |   |
|------------------|----|-------|----------|-------|---|----|----|----|----|----|----|----|----|----|----|----|----|----|----|----|----|----|---|---|---|---|---|---|---|---|---|---|---|---|---|---|---|---|---|---|---|---|---|---|---|---|---|---|---|---|---|---|---|
| Id               |    |       |          |       |   |    |    |    |    |    |    |    |    |    |    |    |    |    |    |    |    |    |   | A | A | A | A | A | A | A | A | A | A | A | A | A | A | A | A | A | A | A | A | A | A | A | A | A | A | A | A | A | A |
| Reset 0x00000000 | 0  | 0     | 0        | 0     | 0   | 0  | 0  | 0  | 0  | 0  | 0  | 0  | 0  | 0  | 0  | 0  | 0  | 0  | 0  | 0  | 0  | 0  | 0 | 0 | 0 | 0 | 0 | 0 | 0 | 0 | 0 | 0 | 0 |   |   |   |   |   |   |   |   |   |   |   |   |   |   |   |   |   |   |   |   |
| Id               | RW | Field | Value Id | Value | Description   |    |    |    |    |    |    |    |    |    |    |    |    |    |    |    |    |    |   |   |   |   |   |   |   |   |   |   |   |   |   |   |   |   |   |   |   |   |   |   |   |   |   |   |   |   |   |   |   |
| A                | RW | DEF   |          |       | Default character. Character clocked out in case of an ignored transaction. |    |    |    |    |    |    |    |    |    |    |    |    |    |    |    |    |    |   |   |   |   |   |   |   |   |   |   |   |   |   |   |   |   |   |   |   |   |   |   |   |   |   |   |   |   |   |   |   |

### 32.5.29 ORC

Address offset: 0x5C0

Over-read character

| Bit number       | 31 | 30    | 29       | 28    | 27  | 26 | 25 | 24 | 23 | 22 | 21 | 20 | 19 | 18 | 17 | 16 | 15 | 14 | 13 | 12 | 11 | 10 | 9 | 8 | 7 | 6 | 5 | 4 | 3 | 2 | 1 | 0 |   |   |   |   |   |   |   |   |   |   |   |   |   |   |   |   |   |   |   |   |   |
|------------------|----|-------|----------|-------|---|----|----|----|----|----|----|----|----|----|----|----|----|----|----|----|----|----|---|---|---|---|---|---|---|---|---|---|---|---|---|---|---|---|---|---|---|---|---|---|---|---|---|---|---|---|---|---|---|
| Id               |    |       |          |       |   |    |    |    |    |    |    |    |    |    |    |    |    |    |    |    |    |    |   | A | A | A | A | A | A | A | A | A | A | A | A | A | A | A | A | A | A | A | A | A | A | A | A | A | A | A | A | A | A |
| Reset 0x00000000 | 0  | 0     | 0        | 0     | 0   | 0  | 0  | 0  | 0  | 0  | 0  | 0  | 0  | 0  | 0  | 0  | 0  | 0  | 0  | 0  | 0  | 0  | 0 | 0 | 0 | 0 | 0 | 0 | 0 | 0 | 0 | 0 | 0 |   |   |   |   |   |   |   |   |   |   |   |   |   |   |   |   |   |   |   |   |
| Id               | RW | Field | Value Id | Value | Description   |    |    |    |    |    |    |    |    |    |    |    |    |    |    |    |    |    |   |   |   |   |   |   |   |   |   |   |   |   |   |   |   |   |   |   |   |   |   |   |   |   |   |   |   |   |   |   |   |
| A                | RW | ORC   |          |       | Over-read character. Character clocked out after an over-read of the transmit buffer. |    |    |    |    |    |    |    |    |    |    |    |    |    |    |    |    |    |   |   |   |   |   |   |   |   |   |   |   |   |   |   |   |   |   |   |   |   |   |   |   |   |   |   |   |   |   |   |   |

## 32.6 Electrical specification

### 32.6.1 SPIS slave interface electrical specifications

| Symbol              | Description  | Min. | Typ.                    | Max.     | Units   |
|---------------------|--|------|-------------------------|----------|---------|
| $f_{SPIS}$          | Bit rates for SPIS <sup>27</sup>   |      |                         | $g^{28}$ | Mbps    |
| $I_{SPIS,2Mbps}$    | Run current for SPIS, 2 Mbps   |      | 45                      |          | $\mu A$ |
| $I_{SPIS,8Mbps}$    | Run current for SPIS, 8 Mbps   |      | 45                      |          | $\mu A$ |
| $I_{SPIS,IDLE}$     | Idle current for SPIS (STARTed, no CSN activity)                                 |      | 1                       |          | $\mu A$ |
| $t_{SPIS,LP,START}$ | Time from RELEASE task to ready to receive/transmit (CSN active), Low power mode |      | $t_{SPIS,CL,STAR}$<br>+ |          | $\mu s$ |
| $t_{SPIS,CL,START}$ | Time from RELEASE task to receive/transmit (CSN active), Constant latency mode   |      | 0.125                   |          | $\mu s$ |

### 32.6.2 Serial Peripheral Interface Slave (SPIS) timing specifications

| Symbol                 | Description                                  | Min.                    | Typ.             | Max. | Units |
|------------------------|--|-------------------------|------------------|------|-------|
| $t_{SPIS,CSCIN,8Mbps}$ | SCK input period at 8Mbps                    |                         | 125              |      | ns    |
| $t_{SPIS,CSCIN,4Mbps}$ | SCK input period at 4Mbps                    |                         | 250              |      | ns    |
| $t_{SPIS,CSCIN,2Mbps}$ | SCK input period at 2Mbps                    |                         | 500              |      | ns    |
| $t_{SPIS,RFSCIN}$      | SCK input rise/fall time                     |                         |                  | 30   | ns    |
| $t_{SPIS,WHSCIN}$      | SCK input high time                          | 30                      |                  |      | ns    |
| $t_{SPIS,WLSCIN}$      | SCK input low time                           | 30                      |                  |      | ns    |
| $t_{SPIS,SUCSN,LP}$    | CSN to CLK setup time, Low power mode        | $t_{SPIS,SUCSN,L}$<br>+ |                  |      | ns    |
|                        |  |                         | $t_{START,HFIN}$ |      |       |
| $t_{SPIS,SUCSN,CL}$    | CSN to CLK setup time, Constant latency mode | 1000                    |                  |      | ns    |
| $t_{SPIS,HCSN}$        | CLK to CSN hold time                         | 2000                    |                  |      | ns    |
| $t_{SPIS,ASO}$         | CSN to MISO driven <sup>a</sup>              |                         |                  | 1000 | ns    |
| $t_{SPIS,DISSO}$       | CSN to MISO disabled <sup>a</sup>            |                         |                  | 68   | ns    |
| $t_{SPIS,CWH}$         | CSN inactive time                            | 300                     |                  |      | ns    |
| $t_{SPIS,VSO}$         | CLK edge to MISO valid                       |                         |                  | 19   | ns    |
| $t_{SPIS,HSO}$         | MISO hold time after CLK edge                | 18 <sup>29</sup>        |                  |      | ns    |
| $t_{SPIS,SUSI}$        | MOSI to CLK edge setup time                  | 59                      |                  |      | ns    |
| $t_{SPIS,HSI}$         | CLK edge to MOSI hold time                   | 20                      |                  |      | ns    |

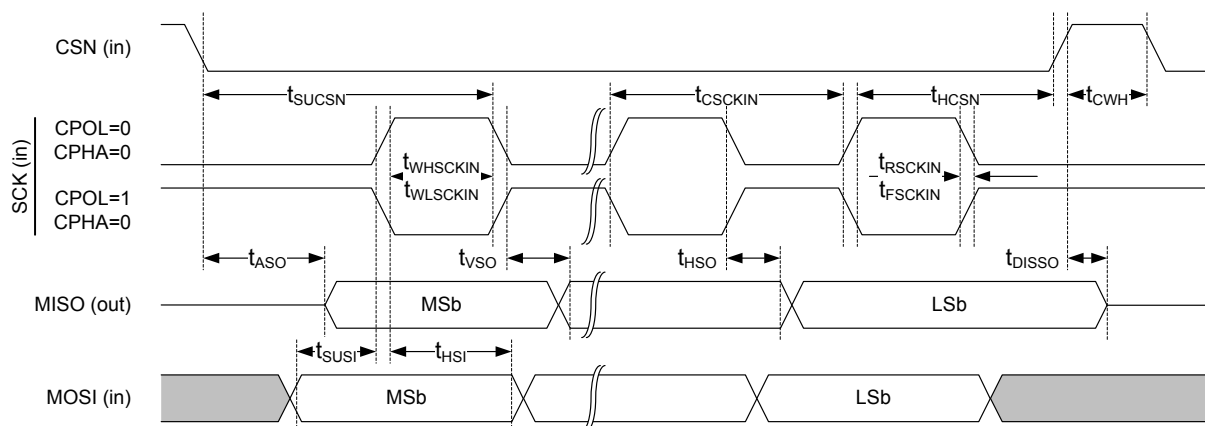


Figure 75: SPIS timing diagram

<sup>27</sup> Higher bit rates may require GPIOs to be set as High Drive, see GPIO chapter for more details.

<sup>28</sup> The actual maximum data rate depends on the master's CLK to MISO and MOSI setup and hold timings.

<sup>a</sup> At 25pF load, including GPIO capacitance, see GPIO spec.

<sup>29</sup> This is to ensure compatibility to SPI masters sampling MISO on the same edge as MOSI is output



Figure 76: Common SPIM and SPIS timing diagram



## 33 TWIM — I<sup>2</sup>C compatible two-wire interface master with EasyDMA

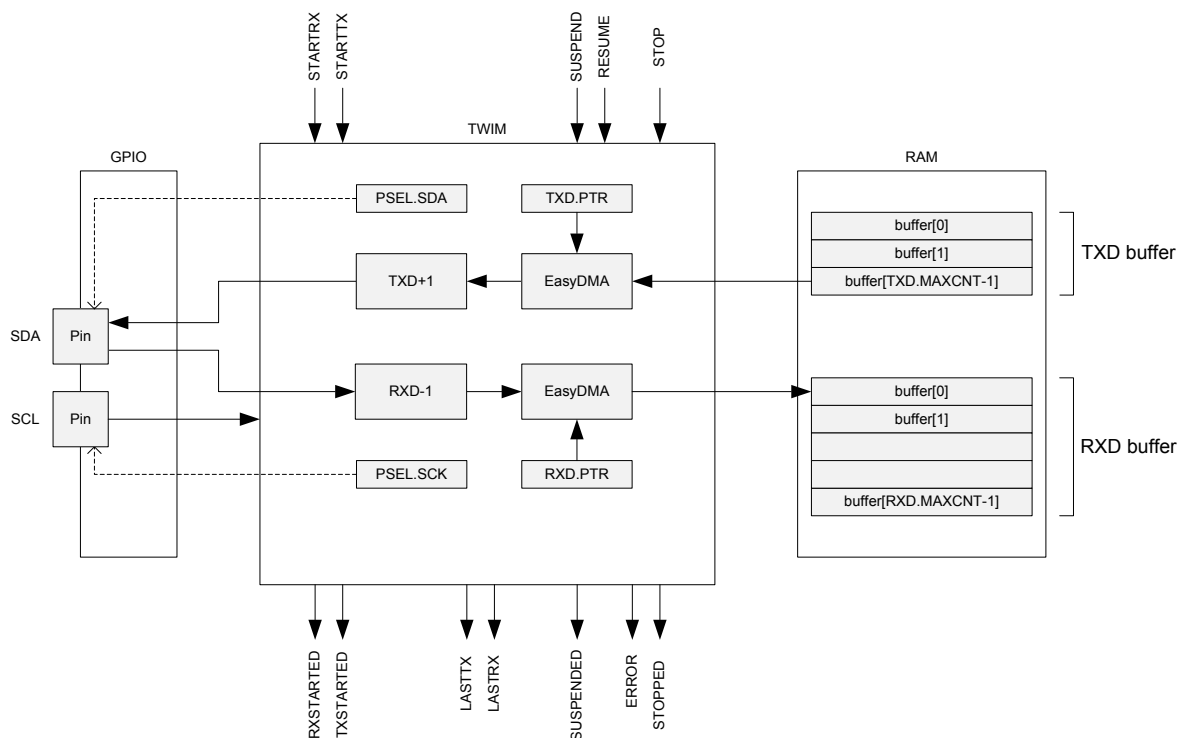
TWI master with EasyDMA (TWIM) is a two-wire half-duplex master which can communicate with multiple slave devices connected to the same bus

Listed here are the main features for TWIM:

- I<sup>2</sup>C compatible
- 100 kbps, 250 kbps, or 400 kbps
- Support for clock stretching
- EasyDMA

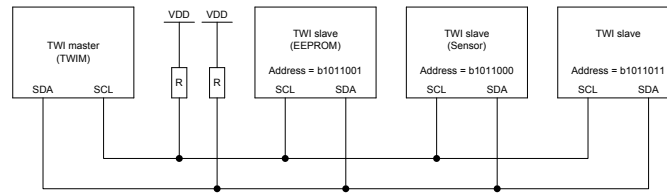
The two-wire interface can communicate with a bi-directional wired-AND bus with two lines (SCL, SDA). The protocol makes it possible to interconnect up to 127 individually addressable devices. TWIM is not compatible with CBUS.

The GPIOs used for each two-wire interface line can be chosen from any GPIO on the device and are independently configurable. This enables great flexibility in device pinout and efficient use of board space and signal routing.



**Figure 77: TWI master with EasyDMA**

A typical TWI setup consists of one master and one or more slaves. For an example, see [Figure 78: A typical TWI setup comprising one master and three slaves](#) on page 306. This TWIM is only able to operate as a single master on the TWI bus. Multi-master bus configuration is not supported.



**Figure 78: A typical TWI setup comprising one master and three slaves**

This TWI master supports clock stretching performed by the slaves. The TWI master is started by triggering the STARTTX or STARTRX tasks, and stopped by triggering the STOP task. The TWI master will generate a STOPPED event when it has stopped following a STOP task.

The TWI master cannot get stopped while it is suspended, so the STOP task has to be issued after the TWI master has been resumed.

After the TWI master is started, the STARTTX task or the STARTRX task should not be triggered again before the TWI master has stopped, i.e. following a LASTRX, LASTTX or STOPPED event.

If a NACK is clocked in from the slave, the TWI master will generate an ERROR event.

### 33.1 Shared resources

The TWI master shares registers and other resources with other peripherals that have the same ID as the TWI master. Therefore, you must disable all peripherals that have the same ID as the TWI master before the TWI master can be configured and used.

Disabling a peripheral that has the same ID as the TWI master will not reset any of the registers that are shared with the TWI master. It is therefore important to configure all relevant registers explicitly to secure that the TWI master operates correctly.

The Instantiation table in [Instantiation](#) on page 24 shows which peripherals have the same ID as the TWI.

### 33.2 EasyDMA

The TWI master implements EasyDMA for reading and writing to and from the RAM.

If the TXD.PTR and the RXD.PTR are not pointing to the Data RAM region, an EasyDMA transfer may result in a HardFault or RAM corruption. See [Memory](#) on page 23 for more information about the different memory regions.

The .PTR and .MAXCNT registers are double-buffered. They can be updated and prepared for the next RX/TX transmission immediately after having received the RXSTARTED/TXSTARTED event.

The STOPPED event indicates that EasyDMA has finished accessing the buffer in RAM.

#### 33.2.1 EasyDMA list

EasyDMA supports one list type.

The supported list type is:

- Array list

##### EasyDMA array list

The EasyDMA array list can be represented by the data structure `ArrayList_type`.

For illustration, see the code example below. This data structure includes only a buffer with size equal to `Channel.MAXCNT`. EasyDMA will use the `Channel.MAXCNT` register to determine when the buffer is full. Replace 'Channel' by the specific data channel you want to use, for instance 'NRF\_SPIM->RXD', 'NRF\_SPIM->TXD', 'NRF\_TWIM->RXD', etc.

The Channel.MAXCNT register cannot be specified larger than the actual size of the buffer. If Channel.MAXCNT is specified larger than the size of the buffer, the EasyDMA channel may overflow the buffer.

This array list does not provide a mechanism to explicitly specify where the next item in the list is located. Instead, it assumes that the list is organized as a linear array where items are located one after the other in RAM.

```
#define BUFFER_SIZE 4

typedef struct ArrayList
{
    uint8_t buffer[BUFFER_SIZE];
} ArrayList_type;

ArrayList_type MyArrayList[3];

//replace 'Channel' below by the specific data channel you want to use,
//      for instance 'NRF_SPIM->RXD', 'NRF_TWIM->RXD', etc.
Channel.MAXCNT = BUFFER_SIZE;
Channel.PTR = &MyArrayList;
```

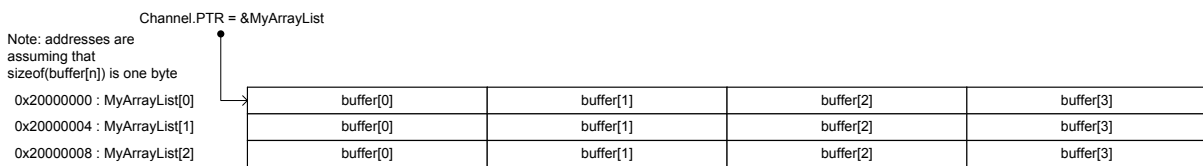


Figure 79: EasyDMA array list

### 33.3 Master write sequence

A TWI master write sequence is started by triggering the STARTTX task. After the STARTTX task has been triggered, the TWI master will generate a start condition on the TWI bus, followed by clocking out the address and the READ/WRITE bit set to 0 (WRITE=0, READ=1).

The address must match the address of the slave device that the master wants to write to. The READ/WRITE bit is followed by an ACK/NACK bit (ACK=0 or NACK=1) generated by the slave.

After receiving the ACK bit, the TWI master will clock out the data bytes found in the transmit buffer located in RAM at the address specified in the TXD.PTR register. Each byte clocked out from the master will be followed by an ACK/NACK bit clocked in from the slave.

A typical TWI master write sequence is illustrated in [Figure 80: TWI master writing data to a slave](#) on page 308. Occurrence 2 in the figure illustrates clock stretching performed by the TWI master following a SUSPEND task.

A SUSPENDED event indicates that the SUSPEND task has taken effect; this event can be used to synchronize the software.



**Figure 80: TWI master writing data to a slave**

The TWI master will generate a LASTTX event when it starts to transmit the last byte, this is illustrated in [Figure 80: TWI master writing data to a slave](#) on page 308

The TWI master is stopped by triggering the STOP task, this task should be triggered during the transmission of the last byte to secure that the TWI will stop as fast as possible after sending the last byte. It is safe to use the shortcut between LASTTX and STOP to accomplish this.

Note that the TWI master does not stop by itself when the whole RAM buffer has been sent, or when an error occurs. The STOP task must be issued, through the use of a local or PPI shortcut, or in software as part of the error handler.

The TWI master cannot get stopped while it is suspended, so the STOP task has to be issued after the TWI master has been resumed.

### 33.4 Master read sequence

A TWI master read sequence is started by triggering the STARTRX task. After the STARTRX task has been triggered the TWI master will generate a start condition on the TWI bus, followed by clocking out the address and the READ/WRITE bit set to 1 (WRITE = 0, READ = 1). The address must match the address of the slave device that the master wants to read from. The READ/WRITE bit is followed by an ACK/NACK bit (ACK=0 or NACK = 1) generated by the slave.

After having sent the ACK bit the TWI slave will send data to the master using the clock generated by the master.

Data received will be stored in RAM at the address specified in the RXD.PTR register. The TWI master will generate an ACK after all but the last byte received from the slave. The TWI master will generate a NACK after the last byte received to indicate that the read sequence shall stop.

A typical TWI master read sequence is illustrated in [Figure 81: The TWI master reading data from a slave](#) on page 309. Occurrence 2 in the figure illustrates clock stretching performed by the TWI master following a SUSPEND task.

A SUSPENDED event indicates that the SUSPEND task has taken effect; this event can be used to synchronize the software.

The TWI master will generate a LASTRX event when it is ready to receive the last byte, this is illustrated in [Figure 81: The TWI master reading data from a slave](#) on page 309. If RXD.MAXCNT > 1 the LASTRX event is generated after sending the ACK of the previously received byte. If RXD.MAXCNT = 1 the LASTRX event is generated after receiving the ACK following the address and READ bit.

The TWI master is stopped by triggering the STOP task, this task must be triggered before the NACK bit is supposed to be transmitted. The STOP task can be triggered at any time during the reception of the last byte. It is safe to use the shortcut between LASTRX and STOP to accomplish this.

Note that the TWI master does not stop by itself when the RAM buffer is full, or when an error occurs. The STOP task must be issued, through the use of a local or PPI shortcut, or in software as part of the error handler.

The TWI master cannot get stopped while it is suspended, so the STOP task has to be issued after the TWI master has been resumed.

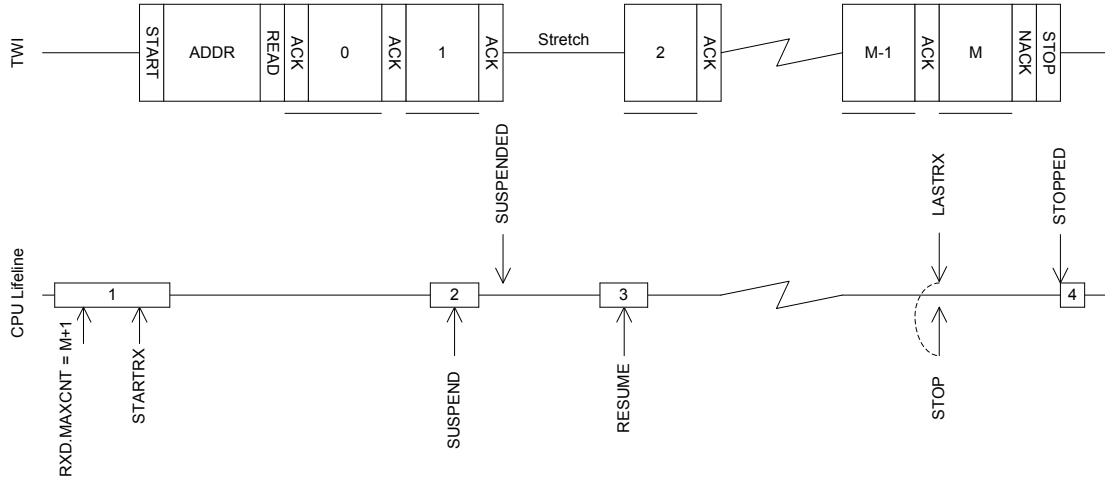


Figure 81: The TWI master reading data from a slave

### 33.5 Master repeated start sequence

A typical repeated start sequence is one in which the TWI master writes two bytes to the slave followed by reading four bytes from the slave. This example uses shortcuts to perform the simplest type of repeated start sequence, i.e. one write followed by one read. The same approach can be used to perform a repeated start sequence where the sequence is read followed by write.

The figure [Figure 82: A repeated start sequence, where the TWI master writes two bytes followed by reading 4 bytes from the slave](#) on page 309 illustrates this:

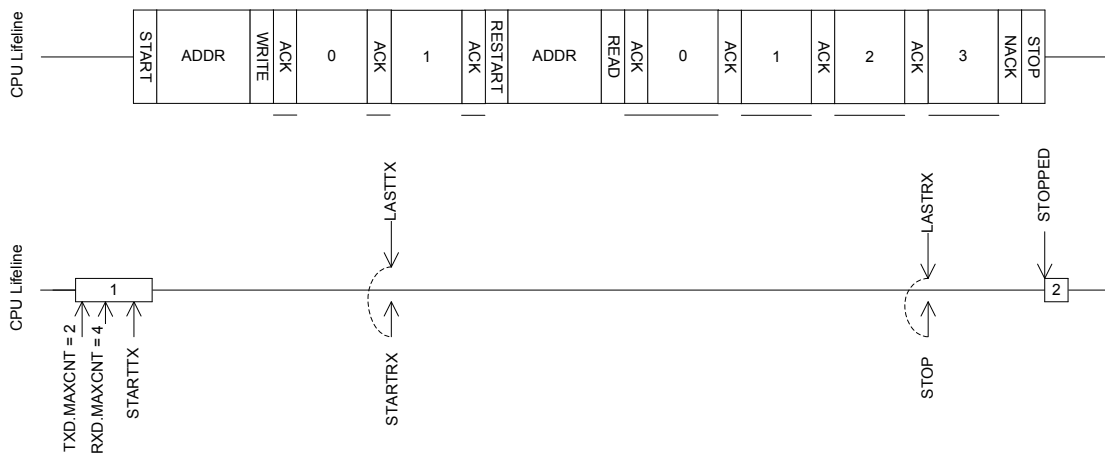
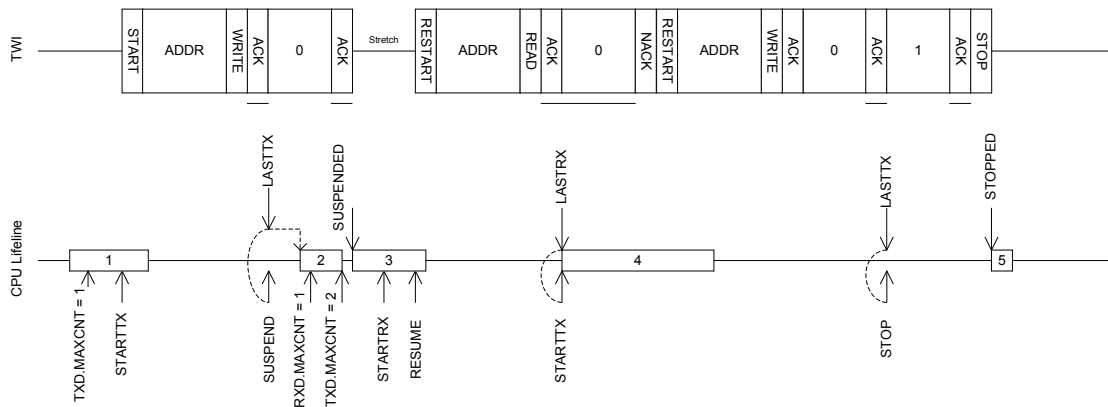


Figure 82: A repeated start sequence, where the TWI master writes two bytes followed by reading 4 bytes from the slave

If a more complex repeated start sequence is needed and the TWI firmware driver is serviced in a low priority interrupt it may be necessary to use the SUSPEND task and SUSPENDED event to guarantee that the correct tasks are generated at the correct time. This is illustrated in [Figure 83: A double repeated start sequence using the SUSPEND task to secure safe operation in low priority interrupts](#) on page 310.



**Figure 83: A double repeated start sequence using the SUSPEND task to secure safe operation in low priority interrupts**

### 33.6 Low power

When putting the system in low power and the peripheral is not needed, lowest possible power consumption is achieved by stopping, and then disabling the peripheral.

The STOP task may not be always needed (the peripheral might already be stopped), but if it is sent, software shall wait until the STOPPED event was received as a response before disabling the peripheral through the ENABLE register.

### 33.7 Master mode pin configuration

The SCL and SDA signals associated with the TWI master are mapped to physical pins according to the configuration specified in the PSEL.SCL and PSEL.SDA registers respectively.

The PSEL.SCL and PSEL.SDA registers and their configurations are only used as long as the TWI master is enabled, and retained only as long as the device is in ON mode. When the peripheral is disabled, the pins will behave as regular GPIOs, and use the configuration in their respective OUT bit field and PIN\_CNF[n] register. PSEL.SCL, PSEL.SDA must only be configured when the TWI master is disabled.

To secure correct signal levels on the pins used by the TWI master when the system is in OFF mode, and when the TWI master is disabled, these pins must be configured in the GPIO peripheral as described in [Table 73: GPIO configuration before enabling peripheral](#) on page 310.

Only one peripheral can be assigned to drive a particular GPIO pin at a time. Failing to do so may result in unpredictable behavior.

**Table 73: GPIO configuration before enabling peripheral**

| TWI master signal | TWI master pin           | Direction | Output value   | Drive strength |
|-------------------|--------------------------|-----------|----------------|----------------|
| SCL               | As specified in PSEL.SCL | Input     | Not applicable | S0D1           |
| SDA               | As specified in PSEL.SDA | Input     | Not applicable | S0D1           |

### 33.8 Registers

**Table 74: Instances**

| Base address | Peripheral | Instance | Description                 | Configuration |
|--------------|------------|----------|-----------------------------|---------------|
| 0x40003000   | TWIM       | TWIM0    | Two-wire interface master 0 |               |
| 0x40004000   | TWIM       | TWIM1    | Two-wire interface master 1 |               |

**Table 75: Register Overview**

| Register         | Offset | Description   |
|------------------|--------|---|
| TASKS_STARTRX    | 0x000  | Start TWI receive sequence  |
| TASKS_STARTTX    | 0x008  | Start TWI transmit sequence   |
| TASKS_STOP       | 0x014  | Stop TWI transaction. Must be issued while the TWI master is not suspended.                       |
| TASKS_SUSPEND    | 0x01C  | Suspend TWI transaction   |
| TASKS_RESUME     | 0x020  | Resume TWI transaction  |
| EVENTS_STOPPED   | 0x104  | TWI stopped   |
| EVENTS_ERROR     | 0x124  | TWI error   |
| EVENTS_SUSPENDED | 0x148  | Last byte has been sent out after the SUSPEND task has been issued, TWI traffic is now suspended. |
| EVENTS_RXSTARTED | 0x14C  | Receive sequence started  |
| EVENTS_TXSTARTED | 0x150  | Transmit sequence started   |
| EVENTS_LASTRX    | 0x15C  | Byte boundary, starting to receive the last byte  |
| EVENTS_LASTTX    | 0x160  | Byte boundary, starting to transmit the last byte   |
| SHORTS           | 0x200  | Shortcut register   |
| INTEN            | 0x300  | Enable or disable interrupt   |
| INTENSET         | 0x304  | Enable interrupt  |
| INTENCLR         | 0x308  | Disable interrupt   |
| ERRORSRC         | 0x4C4  | Error source  |
| ENABLE           | 0x500  | Enable TWIM   |
| PSEL_SCL         | 0x508  | Pin select for SCL signal   |
| PSEL_SDA         | 0x50C  | Pin select for SDA signal   |
| FREQUENCY        | 0x524  | TWI frequency   |
| RXD_PTR          | 0x534  | Data pointer  |
| RXD_MAXCNT       | 0x538  | Maximum number of bytes in receive buffer   |
| RXD_AMOUNT       | 0x53C  | Number of bytes transferred in the last transaction   |
| RXD_LIST         | 0x540  | EasyDMA list type   |
| TXD_PTR          | 0x544  | Data pointer  |
| TXD_MAXCNT       | 0x548  | Maximum number of bytes in transmit buffer  |
| TXD_AMOUNT       | 0x54C  | Number of bytes transferred in the last transaction   |
| TXD_LIST         | 0x550  | EasyDMA list type   |
| ADDRESS          | 0x588  | Address used in the TWI transfer  |

### 33.8.1 SHORTS

Address offset: 0x200

Shortcut register

| Bit number       |   |                |       |    |       |   |  |  |  |  |  |  |  |  |  |   |   |   |   |   |  |  |  |  |  |  |  |  |  |  |  |  |  |  |  |
|------------------|---|----------------|-------|----|-------|---|--|--|--|--|--|--|--|--|--|---|---|---|---|---|--|--|--|--|--|--|--|--|--|--|--|--|--|--|--|
| Id               |   |                |       |    |       |   |  |  |  |  |  |  |  |  |  | F | D | C | B | A |  |  |  |  |  |  |  |  |  |  |  |  |  |  |  |
| Reset 0x00000000 | 0 |                |       |    |       |   |  |  |  |  |  |  |  |  |  |   |   |   |   |   |  |  |  |  |  |  |  |  |  |  |  |  |  |  |  |
| Id               | RW  | Field          | Value | Id | Value | Description   |  |  |  |  |  |  |  |  |  |   |   |   |   |   |  |  |  |  |  |  |  |  |  |  |  |  |  |  |  |
| A                | RW  | LASTTX_STARTRX |       |    |       | Shortcut between LASTTX event and STARTRX task<br>See <a href="#">EVENTS_LASTTX</a> and <a href="#">TASKS_STARTRX</a><br>Disabled 0 Disable shortcut<br>Enabled 1 Enable shortcut |  |  |  |  |  |  |  |  |  |   |   |   |   |   |  |  |  |  |  |  |  |  |  |  |  |  |  |  |  |
| B                | RW  | LASTTX_SUSPEND |       |    |       | Shortcut between LASTTX event and SUSPEND task<br>See <a href="#">EVENTS_LASTTX</a> and <a href="#">TASKS_SUSPEND</a><br>Disabled 0 Disable shortcut<br>Enabled 1 Enable shortcut |  |  |  |  |  |  |  |  |  |   |   |   |   |   |  |  |  |  |  |  |  |  |  |  |  |  |  |  |  |
| C                | RW  | LASTTX_STOP    |       |    |       | Shortcut between LASTTX event and STOP task<br>See <a href="#">EVENTS_LASTTX</a> and <a href="#">TASKS_STOP</a><br>Disabled 0 Disable shortcut<br>Enabled 1 Enable shortcut       |  |  |  |  |  |  |  |  |  |   |   |   |   |   |  |  |  |  |  |  |  |  |  |  |  |  |  |  |  |
| D                | RW  | LASTRX_STARTTX |       |    |       | Shortcut between LASTRX event and STARTTX task<br>See <a href="#">EVENTS_LASTRX</a> and <a href="#">TASKS_STARTTX</a><br>Disabled 0 Disable shortcut                              |  |  |  |  |  |  |  |  |  |   |   |   |   |   |  |  |  |  |  |  |  |  |  |  |  |  |  |  |  |

| Bit number       | 31 30 29 28 27 26 25 24 23 22 21 20 19 18 17 16 15 14 13 12 11 10 9 8 7 6 5 4 3 2 1 0 |             |          |       |                  |  |  |  |  |  |  |  |  |  |  |  |  |  |  |  |  |  |  |  |  |  |  |  |   |   |   |   |   |  |  |  |
|------------------|---|-------------|----------|-------|------------------|--|--|--|--|--|--|--|--|--|--|--|--|--|--|--|--|--|--|--|--|--|--|--|---|---|---|---|---|--|--|--|
| Id               |   |             |          |       |                  |  |  |  |  |  |  |  |  |  |  |  |  |  |  |  |  |  |  |  |  |  |  |  | F | D | C | B | A |  |  |  |
| Reset 0x00000000 | 0             |             |          |       |                  |  |  |  |  |  |  |  |  |  |  |  |  |  |  |  |  |  |  |  |  |  |  |  |   |   |   |   |   |  |  |  |
| Id               | RW  | Field       | Value Id | Value | Description      |  |  |  |  |  |  |  |  |  |  |  |  |  |  |  |  |  |  |  |  |  |  |  |   |   |   |   |   |  |  |  |
| F                | RW  | LASTRX_STOP | Enabled  | 1     | Enable shortcut  |  |  |  |  |  |  |  |  |  |  |  |  |  |  |  |  |  |  |  |  |  |  |  |   |   |   |   |   |  |  |  |
|                  |   |             | Disabled | 0     | Disable shortcut |  |  |  |  |  |  |  |  |  |  |  |  |  |  |  |  |  |  |  |  |  |  |  |   |   |   |   |   |  |  |  |
|                  |   |             | Enabled  | 1     | Enable shortcut  |  |  |  |  |  |  |  |  |  |  |  |  |  |  |  |  |  |  |  |  |  |  |  |   |   |   |   |   |  |  |  |

Shortcut between LASTRX event and STOP task  
See [EVENTS\\_LASTRX](#) and [TASKS\\_STOP](#)

### 33.8.2 INTEN

Address offset: 0x300

Enable or disable interrupt

| Bit number       | 31 30 29 28 27 26 25 24 23 22 21 20 19 18 17 16 15 14 13 12 11 10 9 8 7 6 5 4 3 2 1 0 |           |          |       |   |  |  |  |  |  |  |  |  |  |  |  |  |  |  |  |   |   |       |  |  |   |  |  |  |  |  |   |  |  |
|------------------|---|-----------|----------|-------|---|--|--|--|--|--|--|--|--|--|--|--|--|--|--|--|---|---|-------|--|--|---|--|--|--|--|--|---|--|--|
| Id               |   |           |          |       |   |  |  |  |  |  |  |  |  |  |  |  |  |  |  |  | J | I | H G F |  |  | D |  |  |  |  |  | A |  |  |
| Reset 0x00000000 | 0             |           |          |       |   |  |  |  |  |  |  |  |  |  |  |  |  |  |  |  |   |   |       |  |  |   |  |  |  |  |  |   |  |  |
| Id               | RW  | Field     | Value Id | Value | Description                                     |  |  |  |  |  |  |  |  |  |  |  |  |  |  |  |   |   |       |  |  |   |  |  |  |  |  |   |  |  |
| A                | RW  | STOPPED   | Disabled | 0     | Enable or disable interrupt for STOPPED event   |  |  |  |  |  |  |  |  |  |  |  |  |  |  |  |   |   |       |  |  |   |  |  |  |  |  |   |  |  |
|                  |   |           | Enabled  | 1     | Disable   |  |  |  |  |  |  |  |  |  |  |  |  |  |  |  |   |   |       |  |  |   |  |  |  |  |  |   |  |  |
|                  |   |           | Enabled  | 1     | Enable  |  |  |  |  |  |  |  |  |  |  |  |  |  |  |  |   |   |       |  |  |   |  |  |  |  |  |   |  |  |
| D                | RW  | ERROR     | Disabled | 0     | Enable or disable interrupt for ERROR event     |  |  |  |  |  |  |  |  |  |  |  |  |  |  |  |   |   |       |  |  |   |  |  |  |  |  |   |  |  |
|                  |   |           | Enabled  | 1     | Disable   |  |  |  |  |  |  |  |  |  |  |  |  |  |  |  |   |   |       |  |  |   |  |  |  |  |  |   |  |  |
|                  |   |           | Enabled  | 1     | Enable  |  |  |  |  |  |  |  |  |  |  |  |  |  |  |  |   |   |       |  |  |   |  |  |  |  |  |   |  |  |
| F                | RW  | SUSPENDED | Disabled | 0     | Enable or disable interrupt for SUSPENDED event |  |  |  |  |  |  |  |  |  |  |  |  |  |  |  |   |   |       |  |  |   |  |  |  |  |  |   |  |  |
|                  |   |           | Enabled  | 1     | Disable   |  |  |  |  |  |  |  |  |  |  |  |  |  |  |  |   |   |       |  |  |   |  |  |  |  |  |   |  |  |
|                  |   |           | Enabled  | 1     | Enable  |  |  |  |  |  |  |  |  |  |  |  |  |  |  |  |   |   |       |  |  |   |  |  |  |  |  |   |  |  |
| G                | RW  | RXSTARTED | Disabled | 0     | Enable or disable interrupt for RXSTARTED event |  |  |  |  |  |  |  |  |  |  |  |  |  |  |  |   |   |       |  |  |   |  |  |  |  |  |   |  |  |
|                  |   |           | Enabled  | 1     | Disable   |  |  |  |  |  |  |  |  |  |  |  |  |  |  |  |   |   |       |  |  |   |  |  |  |  |  |   |  |  |
|                  |   |           | Enabled  | 1     | Enable  |  |  |  |  |  |  |  |  |  |  |  |  |  |  |  |   |   |       |  |  |   |  |  |  |  |  |   |  |  |
| H                | RW  | TXSTARTED | Disabled | 0     | Enable or disable interrupt for TXSTARTED event |  |  |  |  |  |  |  |  |  |  |  |  |  |  |  |   |   |       |  |  |   |  |  |  |  |  |   |  |  |
|                  |   |           | Enabled  | 1     | Disable   |  |  |  |  |  |  |  |  |  |  |  |  |  |  |  |   |   |       |  |  |   |  |  |  |  |  |   |  |  |
|                  |   |           | Enabled  | 1     | Enable  |  |  |  |  |  |  |  |  |  |  |  |  |  |  |  |   |   |       |  |  |   |  |  |  |  |  |   |  |  |
| I                | RW  | LASTRX    | Disabled | 0     | Enable or disable interrupt for LASTRX event    |  |  |  |  |  |  |  |  |  |  |  |  |  |  |  |   |   |       |  |  |   |  |  |  |  |  |   |  |  |
|                  |   |           | Enabled  | 1     | Disable   |  |  |  |  |  |  |  |  |  |  |  |  |  |  |  |   |   |       |  |  |   |  |  |  |  |  |   |  |  |
|                  |   |           | Enabled  | 1     | Enable  |  |  |  |  |  |  |  |  |  |  |  |  |  |  |  |   |   |       |  |  |   |  |  |  |  |  |   |  |  |
| J                | RW  | LASTTX    | Disabled | 0     | Enable or disable interrupt for LASTTX event    |  |  |  |  |  |  |  |  |  |  |  |  |  |  |  |   |   |       |  |  |   |  |  |  |  |  |   |  |  |
|                  |   |           | Enabled  | 1     | Disable   |  |  |  |  |  |  |  |  |  |  |  |  |  |  |  |   |   |       |  |  |   |  |  |  |  |  |   |  |  |
|                  |   |           | Enabled  | 1     | Enable  |  |  |  |  |  |  |  |  |  |  |  |  |  |  |  |   |   |       |  |  |   |  |  |  |  |  |   |  |  |

See [EVENTS\\_STOPPED](#)

See [EVENTS\\_ERROR](#)

See [EVENTS\\_SUSPENDED](#)

See [EVENTS\\_RXSTARTED](#)

See [EVENTS\\_TXSTARTED](#)

See [EVENTS\\_LASTRX](#)

See [EVENTS\\_LASTTX](#)

### 33.8.3 INTENSET

Address offset: 0x304

Enable interrupt



|                  |    |    |    |    |    |    |    |    |    |    |    |    |    |    |    |    |    |    |    |    |    |    |   |   |   |   |   |   |   |   |   |   |
|------------------|----|----|----|----|----|----|----|----|----|----|----|----|----|----|----|----|----|----|----|----|----|----|---|---|---|---|---|---|---|---|---|---|
| Bit number       | 31 | 30 | 29 | 28 | 27 | 26 | 25 | 24 | 23 | 22 | 21 | 20 | 19 | 18 | 17 | 16 | 15 | 14 | 13 | 12 | 11 | 10 | 9 | 8 | 7 | 6 | 5 | 4 | 3 | 2 | 1 | 0 |
| Id               |    |    |    |    |    |    |    |    | J  | I  |    |    | H  | G  | F  |    |    |    |    |    |    |    |   | D |   |   |   |   |   |   |   | A |
| Reset 0x00000000 | 0  | 0  | 0  | 0  | 0  | 0  | 0  | 0  | 0  | 0  | 0  | 0  | 0  | 0  | 0  | 0  | 0  | 0  | 0  | 0  | 0  | 0  | 0 | 0 | 0 | 0 | 0 | 0 | 0 | 0 | 0 | 0 |

| Id | RW | Field   | Value Id | Value | Description                                     |  |  |   |
|----|----|---------|----------|-------|---|--|--|---|
| A  | RW | STOPPED |          |       | Write '1' to Enable interrupt for STOPPED event |  |  |   |
|    |    |         |          |       | See <a href="#">EVENTS_STOPPED</a>              |  |  |   |
|    |    |         | Set      | 1     | Enable  |  |  |   |
|    |    |         | Disabled | 0     | Read: Disabled                                  |  |  |   |
|    |    |         | Enabled  | 1     | Read: Enabled                                   |  |  |   |
|    |    |         | D        | RW    | ERROR   |  |  | Write '1' to Enable interrupt for ERROR event     |
|    |    |         |          |       | See <a href="#">EVENTS_ERROR</a>                |  |  |   |
|    |    |         | Set      | 1     | Enable  |  |  |   |
|    |    |         | Disabled | 0     | Read: Disabled                                  |  |  |   |
|    |    |         | Enabled  | 1     | Read: Enabled                                   |  |  |   |
|    |    |         | F        | RW    | SUSPENDED                                       |  |  | Write '1' to Enable interrupt for SUSPENDED event |
|    |    |         |          |       | See <a href="#">EVENTS_SUSPENDED</a>            |  |  |   |
|    |    |         | Set      | 1     | Enable  |  |  |   |
|    |    |         | Disabled | 0     | Read: Disabled                                  |  |  |   |
|    |    |         | Enabled  | 1     | Read: Enabled                                   |  |  |   |
|    |    |         | G        | RW    | RXSTARTED                                       |  |  | Write '1' to Enable interrupt for RXSTARTED event |
|    |    |         |          |       | See <a href="#">EVENTS_RXSTARTED</a>            |  |  |   |
|    |    |         | Set      | 1     | Enable  |  |  |   |
|    |    |         | Disabled | 0     | Read: Disabled                                  |  |  |   |
|    |    |         | Enabled  | 1     | Read: Enabled                                   |  |  |   |
|    |    |         | H        | RW    | TXSTARTED                                       |  |  | Write '1' to Enable interrupt for TXSTARTED event |
|    |    |         |          |       | See <a href="#">EVENTS_TXSTARTED</a>            |  |  |   |
|    |    |         | Set      | 1     | Enable  |  |  |   |
|    |    |         | Disabled | 0     | Read: Disabled                                  |  |  |   |
|    |    |         | Enabled  | 1     | Read: Enabled                                   |  |  |   |
|    |    |         | I        | RW    | LASTRX  |  |  | Write '1' to Enable interrupt for LASTRX event    |
|    |    |         |          |       | See <a href="#">EVENTS_LASTRX</a>               |  |  |   |
|    |    |         | Set      | 1     | Enable  |  |  |   |
|    |    |         | Disabled | 0     | Read: Disabled                                  |  |  |   |
|    |    |         | Enabled  | 1     | Read: Enabled                                   |  |  |   |
|    |    |         | J        | RW    | LASTTX  |  |  | Write '1' to Enable interrupt for LASTTX event    |
|    |    |         |          |       | See <a href="#">EVENTS_LASTTX</a>               |  |  |   |
|    |    |         | Set      | 1     | Enable  |  |  |   |
|    |    |         | Disabled | 0     | Read: Disabled                                  |  |  |   |
|    |    |         | Enabled  | 1     | Read: Enabled                                   |  |  |   |

### 33.8.4 INTENCLR

Address offset: 0x308

Disable interrupt

|                  |    |    |    |    |    |    |    |    |    |    |    |    |    |    |    |    |    |    |    |    |    |    |   |   |   |   |   |   |   |   |   |   |  |
|------------------|----|----|----|----|----|----|----|----|----|----|----|----|----|----|----|----|----|----|----|----|----|----|---|---|---|---|---|---|---|---|---|---|--|
| Bit number       | 31 | 30 | 29 | 28 | 27 | 26 | 25 | 24 | 23 | 22 | 21 | 20 | 19 | 18 | 17 | 16 | 15 | 14 | 13 | 12 | 11 | 10 | 9 | 8 | 7 | 6 | 5 | 4 | 3 | 2 | 1 | 0 |  |
| Id               |    |    |    |    |    |    |    |    |    |    |    |    |    |    |    |    |    |    |    |    |    |    |   |   |   |   |   |   |   |   |   |   |  |
| Reset 0x00000000 | 0  | 0  | 0  | 0  | 0  | 0  | 0  | 0  | 0  | 0  | 0  | 0  | 0  | 0  | 0  | 0  | 0  | 0  | 0  | 0  | 0  | 0  | 0 | 0 | 0 | 0 | 0 | 0 | 0 | 0 | 0 | 0 |  |

| Id | RW | Field   | Value Id | Value | Description                                      |
|----|----|---------|----------|-------|--|
| A  | RW | STOPPED |          |       | Write '1' to Disable interrupt for STOPPED event |
|    |    |         |          |       | See <a href="#">EVENTS_STOPPED</a>               |
|    |    |         | Clear    | 1     | Disable  |
|    |    |         | Disabled | 0     | Read: Disabled                                   |
|    |    |         | Enabled  | 1     | Read: Enabled                                    |
|    |    |         | D        | RW    | ERROR  |
|    |    |         |          |       | See <a href="#">EVENTS_ERROR</a>                 |

| Bit number       | 31 30 29 28 27 26 25 24 23 22 21 20 19 18 17 16 15 14 13 12 11 10 9 8 7 6 5 4 3 2 1 0 |           |          |       |  |  |  |  |  |  |  |  |  |  |  |  |     |  |  |  |  |  |  |  |  |  |  |  |  |  |  |  |
|------------------|---|-----------|----------|-------|--|--|--|--|--|--|--|--|--|--|--|--|-----|--|--|--|--|--|--|--|--|--|--|--|--|--|--|--|
| Id               | J I H G F   |           |          |       |  |  |  |  |  |  |  |  |  |  |  |  | D A |  |  |  |  |  |  |  |  |  |  |  |  |  |  |  |
| Reset 0x00000000 | 0           |           |          |       |  |  |  |  |  |  |  |  |  |  |  |  |     |  |  |  |  |  |  |  |  |  |  |  |  |  |  |  |
| Id               | RW  | Field     | Value Id | Value | Description  |  |  |  |  |  |  |  |  |  |  |  |     |  |  |  |  |  |  |  |  |  |  |  |  |  |  |  |
| F                | RW  | SUSPENDED | Clear    | 1     | Disable  |  |  |  |  |  |  |  |  |  |  |  |     |  |  |  |  |  |  |  |  |  |  |  |  |  |  |  |
|                  |   |           | Disabled | 0     | Read: Disabled                                     |  |  |  |  |  |  |  |  |  |  |  |     |  |  |  |  |  |  |  |  |  |  |  |  |  |  |  |
|                  |   |           | Enabled  | 1     | Read: Enabled                                      |  |  |  |  |  |  |  |  |  |  |  |     |  |  |  |  |  |  |  |  |  |  |  |  |  |  |  |
|                  |   |           |          |       | Write '1' to Disable interrupt for SUSPENDED event |  |  |  |  |  |  |  |  |  |  |  |     |  |  |  |  |  |  |  |  |  |  |  |  |  |  |  |
|                  |   |           |          |       | See <a href="#">EVENTS_SUSPENDED</a>               |  |  |  |  |  |  |  |  |  |  |  |     |  |  |  |  |  |  |  |  |  |  |  |  |  |  |  |
|                  |   |           | Clear    | 1     | Disable  |  |  |  |  |  |  |  |  |  |  |  |     |  |  |  |  |  |  |  |  |  |  |  |  |  |  |  |
|                  |   |           | Disabled | 0     | Read: Disabled                                     |  |  |  |  |  |  |  |  |  |  |  |     |  |  |  |  |  |  |  |  |  |  |  |  |  |  |  |
|                  |   |           | Enabled  | 1     | Read: Enabled                                      |  |  |  |  |  |  |  |  |  |  |  |     |  |  |  |  |  |  |  |  |  |  |  |  |  |  |  |
| G                | RW  | RXSTARTED |          |       |  | Write '1' to Disable interrupt for RXSTARTED event |  |  |  |  |  |  |  |  |  |  |     |  |  |  |  |  |  |  |  |  |  |  |  |  |  |  |
|                  |   |           |          |       | See <a href="#">EVENTS_RXSTARTED</a>               |  |  |  |  |  |  |  |  |  |  |  |     |  |  |  |  |  |  |  |  |  |  |  |  |  |  |  |
|                  |   |           | Clear    | 1     | Disable  |  |  |  |  |  |  |  |  |  |  |  |     |  |  |  |  |  |  |  |  |  |  |  |  |  |  |  |
|                  |   |           | Disabled | 0     | Read: Disabled                                     |  |  |  |  |  |  |  |  |  |  |  |     |  |  |  |  |  |  |  |  |  |  |  |  |  |  |  |
|                  |   |           | Enabled  | 1     | Read: Enabled                                      |  |  |  |  |  |  |  |  |  |  |  |     |  |  |  |  |  |  |  |  |  |  |  |  |  |  |  |
| H                | RW  | TXSTARTED |          |       |  | Write '1' to Disable interrupt for TXSTARTED event |  |  |  |  |  |  |  |  |  |  |     |  |  |  |  |  |  |  |  |  |  |  |  |  |  |  |
|                  |   |           |          |       | See <a href="#">EVENTS_TXSTARTED</a>               |  |  |  |  |  |  |  |  |  |  |  |     |  |  |  |  |  |  |  |  |  |  |  |  |  |  |  |
|                  |   |           | Clear    | 1     | Disable  |  |  |  |  |  |  |  |  |  |  |  |     |  |  |  |  |  |  |  |  |  |  |  |  |  |  |  |
|                  |   |           | Disabled | 0     | Read: Disabled                                     |  |  |  |  |  |  |  |  |  |  |  |     |  |  |  |  |  |  |  |  |  |  |  |  |  |  |  |
|                  |   |           | Enabled  | 1     | Read: Enabled                                      |  |  |  |  |  |  |  |  |  |  |  |     |  |  |  |  |  |  |  |  |  |  |  |  |  |  |  |
| I                | RW  | LASTRX    |          |       |  | Write '1' to Disable interrupt for LASTRX event    |  |  |  |  |  |  |  |  |  |  |     |  |  |  |  |  |  |  |  |  |  |  |  |  |  |  |
|                  |   |           |          |       | See <a href="#">EVENTS_LASTRX</a>                  |  |  |  |  |  |  |  |  |  |  |  |     |  |  |  |  |  |  |  |  |  |  |  |  |  |  |  |
|                  |   |           | Clear    | 1     | Disable  |  |  |  |  |  |  |  |  |  |  |  |     |  |  |  |  |  |  |  |  |  |  |  |  |  |  |  |
|                  |   |           | Disabled | 0     | Read: Disabled                                     |  |  |  |  |  |  |  |  |  |  |  |     |  |  |  |  |  |  |  |  |  |  |  |  |  |  |  |
|                  |   |           | Enabled  | 1     | Read: Enabled                                      |  |  |  |  |  |  |  |  |  |  |  |     |  |  |  |  |  |  |  |  |  |  |  |  |  |  |  |
| J                | RW  | LASTTX    |          |       |  | Write '1' to Disable interrupt for LASTTX event    |  |  |  |  |  |  |  |  |  |  |     |  |  |  |  |  |  |  |  |  |  |  |  |  |  |  |
|                  |   |           |          |       | See <a href="#">EVENTS_LASTTX</a>                  |  |  |  |  |  |  |  |  |  |  |  |     |  |  |  |  |  |  |  |  |  |  |  |  |  |  |  |
|                  |   |           | Clear    | 1     | Disable  |  |  |  |  |  |  |  |  |  |  |  |     |  |  |  |  |  |  |  |  |  |  |  |  |  |  |  |
|                  |   |           | Disabled | 0     | Read: Disabled                                     |  |  |  |  |  |  |  |  |  |  |  |     |  |  |  |  |  |  |  |  |  |  |  |  |  |  |  |
|                  |   |           | Enabled  | 1     | Read: Enabled                                      |  |  |  |  |  |  |  |  |  |  |  |     |  |  |  |  |  |  |  |  |  |  |  |  |  |  |  |

### 33.8.5 ERRORSRC

Address offset: 0x4C4

Error source

| Bit number       | 31 30 29 28 27 26 25 24 23 22 21 20 19 18 17 16 15 14 13 12 11 10 9 8 7 6 5 4 3 2 1 0 |                |             |       |   |             |   |                     |  |  |  |  |  |  |  |  |       |  |  |  |  |  |  |  |  |  |  |  |  |  |  |  |
|------------------|---|----------------|-------------|-------|---|-------------|---|---------------------|--|--|--|--|--|--|--|--|-------|--|--|--|--|--|--|--|--|--|--|--|--|--|--|--|
| Id               |   |                |             |       |   |             |   |                     |  |  |  |  |  |  |  |  | C B A |  |  |  |  |  |  |  |  |  |  |  |  |  |  |  |
| Reset 0x00000000 | 0           |                |             |       |   |             |   |                     |  |  |  |  |  |  |  |  |       |  |  |  |  |  |  |  |  |  |  |  |  |  |  |  |
| Id               | RW  | Field          | Value Id    | Value | Description   |             |   |                     |  |  |  |  |  |  |  |  |       |  |  |  |  |  |  |  |  |  |  |  |  |  |  |  |
| A                | RW  | OVERRUN        |             |       | Overflow error  |             |   |                     |  |  |  |  |  |  |  |  |       |  |  |  |  |  |  |  |  |  |  |  |  |  |  |  |
|                  |   |                |             |       | A new byte was received before previous byte got transferred into RXD buffer. (Previous data is lost) |             |   |                     |  |  |  |  |  |  |  |  |       |  |  |  |  |  |  |  |  |  |  |  |  |  |  |  |
|                  |   |                | NotReceived | 0     | Error did not occur   |             |   |                     |  |  |  |  |  |  |  |  |       |  |  |  |  |  |  |  |  |  |  |  |  |  |  |  |
|                  |   |                | Received    | 1     | Error occurred  |             |   |                     |  |  |  |  |  |  |  |  |       |  |  |  |  |  |  |  |  |  |  |  |  |  |  |  |
|                  |   |                | B           | RW    | ANACK   |             |   |                     | NACK received after sending the address (write '1' to clear) |  |  |  |  |  |  |  |       |  |  |  |  |  |  |  |  |  |  |  |  |  |  |  |
|                  |   |                |             |       |   | NotReceived | 0 | Error did not occur |  |  |  |  |  |  |  |  |       |  |  |  |  |  |  |  |  |  |  |  |  |  |  |  |
| Received         | 1   | Error occurred |             |       |   |             |   |                     |  |  |  |  |  |  |  |  |       |  |  |  |  |  |  |  |  |  |  |  |  |  |  |  |
| C                | RW  | DNACK          |             |       |   |             |   |                     | NACK received after sending a data byte (write '1' to clear) |  |  |  |  |  |  |  |       |  |  |  |  |  |  |  |  |  |  |  |  |  |  |  |
|                  |   |                | NotReceived | 0     | Error did not occur   |             |   |                     |  |  |  |  |  |  |  |  |       |  |  |  |  |  |  |  |  |  |  |  |  |  |  |  |
|                  |   |                | Received    | 1     | Error occurred  |             |   |                     |  |  |  |  |  |  |  |  |       |  |  |  |  |  |  |  |  |  |  |  |  |  |  |  |

### 33.8.6 ENABLE

Address offset: 0x500

### Enable TWIM

| Bit number       | 31 | 30     | 29       | 28    | 27                     | 26 | 25 | 24 | 23 | 22 | 21 | 20 | 19 | 18 | 17 | 16 | 15 | 14 | 13 | 12 | 11 | 10 | 9 | 8 | 7 | 6 | 5 | 4 | 3 | 2 | 1 | 0 |
|------------------|----|--------|----------|-------|------------------------|----|----|----|----|----|----|----|----|----|----|----|----|----|----|----|----|----|---|---|---|---|---|---|---|---|---|---|
| Id               |    |        |          |       |                        |    |    |    |    |    |    |    |    |    |    |    |    |    |    |    |    |    |   |   |   |   | A | A | A | A |   |   |
| Reset 0x00000000 | 0  | 0      | 0        | 0     | 0                      | 0  | 0  | 0  | 0  | 0  | 0  | 0  | 0  | 0  | 0  | 0  | 0  | 0  | 0  | 0  | 0  | 0  | 0 | 0 | 0 | 0 | 0 | 0 | 0 | 0 | 0 | 0 |
| Id               | RW | Field  | Value Id | Value | Description            |    |    |    |    |    |    |    |    |    |    |    |    |    |    |    |    |    |   |   |   |   |   |   |   |   |   |   |
| A                | RW | ENABLE |          |       | Enable or disable TWIM |    |    |    |    |    |    |    |    |    |    |    |    |    |    |    |    |    |   |   |   |   |   |   |   |   |   |   |
|                  |    |        | Disabled | 0     | Disable TWIM           |    |    |    |    |    |    |    |    |    |    |    |    |    |    |    |    |    |   |   |   |   |   |   |   |   |   |   |
|                  |    |        | Enabled  | 6     | Enable TWIM            |    |    |    |    |    |    |    |    |    |    |    |    |    |    |    |    |    |   |   |   |   |   |   |   |   |   |   |

### 33.8.7 PSEL.SCL

Address offset: 0x508

Pin select for SCL signal

| Bit number       | 31 | 30      | 29           | 28      | 27          | 26 | 25 | 24 | 23 | 22 | 21 | 20 | 19 | 18 | 17 | 16 | 15 | 14 | 13 | 12 | 11 | 10 | 9 | 8 | 7 | 6 | 5 | 4 | 3 | 2 | 1 | 0 |
|------------------|----|---------|--------------|---------|-------------|----|----|----|----|----|----|----|----|----|----|----|----|----|----|----|----|----|---|---|---|---|---|---|---|---|---|---|
| Id               |    |         |              |         |             |    |    |    |    |    |    |    |    |    |    |    |    |    |    |    |    |    |   |   |   |   | B |   |   |   |   |   |
| Reset 0xFFFFFFFF | 1  | 1       | 1            | 1       | 1           | 1  | 1  | 1  | 1  | 1  | 1  | 1  | 1  | 1  | 1  | 1  | 1  | 1  | 1  | 1  | 1  | 1  | 1 | 1 | 1 | 1 | 1 | 1 | 1 | 1 | 1 |   |
| Id               | RW | Field   | Value Id     | Value   | Description |    |    |    |    |    |    |    |    |    |    |    |    |    |    |    |    |    |   |   |   |   |   |   |   |   |   |   |
| A                | RW | PIN     |              | [0..31] | Pin number  |    |    |    |    |    |    |    |    |    |    |    |    |    |    |    |    |    |   |   |   |   |   |   |   |   |   |   |
| B                | RW | CONNECT |              |         | Connection  |    |    |    |    |    |    |    |    |    |    |    |    |    |    |    |    |    |   |   |   |   |   |   |   |   |   |   |
|                  |    |         | Disconnected | 1       | Disconnect  |    |    |    |    |    |    |    |    |    |    |    |    |    |    |    |    |    |   |   |   |   |   |   |   |   |   |   |
|                  |    |         | Connected    | 0       | Connect     |    |    |    |    |    |    |    |    |    |    |    |    |    |    |    |    |    |   |   |   |   |   |   |   |   |   |   |

### 33.8.8 PSEL.SDA

Address offset: 0x50C

Pin select for SDA signal

| Bit number       | 31 | 30      | 29           | 28      | 27          | 26 | 25 | 24 | 23 | 22 | 21 | 20 | 19 | 18 | 17 | 16 | 15 | 14 | 13 | 12 | 11 | 10 | 9 | 8 | 7 | 6 | 5 | 4 | 3 | 2 | 1 | 0 |
|------------------|----|---------|--------------|---------|-------------|----|----|----|----|----|----|----|----|----|----|----|----|----|----|----|----|----|---|---|---|---|---|---|---|---|---|---|
| Id               |    |         |              |         |             |    |    |    |    |    |    |    |    |    |    |    |    |    |    |    |    |    |   |   |   |   | B |   |   |   |   |   |
| Reset 0xFFFFFFFF | 1  | 1       | 1            | 1       | 1           | 1  | 1  | 1  | 1  | 1  | 1  | 1  | 1  | 1  | 1  | 1  | 1  | 1  | 1  | 1  | 1  | 1  | 1 | 1 | 1 | 1 | 1 | 1 | 1 | 1 | 1 |   |
| Id               | RW | Field   | Value Id     | Value   | Description |    |    |    |    |    |    |    |    |    |    |    |    |    |    |    |    |    |   |   |   |   |   |   |   |   |   |   |
| A                | RW | PIN     |              | [0..31] | Pin number  |    |    |    |    |    |    |    |    |    |    |    |    |    |    |    |    |    |   |   |   |   |   |   |   |   |   |   |
| B                | RW | CONNECT |              |         | Connection  |    |    |    |    |    |    |    |    |    |    |    |    |    |    |    |    |    |   |   |   |   |   |   |   |   |   |   |
|                  |    |         | Disconnected | 1       | Disconnect  |    |    |    |    |    |    |    |    |    |    |    |    |    |    |    |    |    |   |   |   |   |   |   |   |   |   |   |
|                  |    |         | Connected    | 0       | Connect     |    |    |    |    |    |    |    |    |    |    |    |    |    |    |    |    |    |   |   |   |   |   |   |   |   |   |   |

### 33.8.9 FREQUENCY

Address offset: 0x524

TWI frequency

| Bit number       | 31 | 30        | 29       | 28         | 27                         | 26 | 25 | 24 | 23 | 22 | 21 | 20 | 19 | 18 | 17 | 16 | 15 | 14 | 13 | 12 | 11 | 10 | 9 | 8 | 7 | 6 | 5 | 4 | 3 | 2 | 1 | 0 |
|------------------|----|-----------|----------|------------|----------------------------|----|----|----|----|----|----|----|----|----|----|----|----|----|----|----|----|----|---|---|---|---|---|---|---|---|---|---|
| Id               | A  | A         | A        | A          | A                          | A  | A  | A  | A  | A  | A  | A  | A  | A  | A  | A  | A  | A  | A  | A  | A  | A  | A | A | A | A | A | A | A | A | A |   |
| Reset 0x04000000 | 0  | 0         | 0        | 0          | 0                          | 1  | 0  | 0  | 0  | 0  | 0  | 0  | 0  | 0  | 0  | 0  | 0  | 0  | 0  | 0  | 0  | 0  | 0 | 0 | 0 | 0 | 0 | 0 | 0 | 0 | 0 |   |
| Id               | RW | Field     | Value Id | Value      | Description                |    |    |    |    |    |    |    |    |    |    |    |    |    |    |    |    |    |   |   |   |   |   |   |   |   |   |   |
| A                | RW | FREQUENCY |          |            | TWI master clock frequency |    |    |    |    |    |    |    |    |    |    |    |    |    |    |    |    |    |   |   |   |   |   |   |   |   |   |   |
|                  |    |           | K100     | 0x01980000 | 100 kbps                   |    |    |    |    |    |    |    |    |    |    |    |    |    |    |    |    |    |   |   |   |   |   |   |   |   |   |   |
|                  |    |           | K250     | 0x04000000 | 250 kbps                   |    |    |    |    |    |    |    |    |    |    |    |    |    |    |    |    |    |   |   |   |   |   |   |   |   |   |   |
|                  |    |           | K400     | 0x06400000 | 400 kbps                   |    |    |    |    |    |    |    |    |    |    |    |    |    |    |    |    |    |   |   |   |   |   |   |   |   |   |   |

### 33.8.10 RXD.PTR

Address offset: 0x534

Data pointer

| Bit number       | 31 | 30    | 29       | 28    | 27           | 26 | 25 | 24 | 23 | 22 | 21 | 20 | 19 | 18 | 17 | 16 | 15 | 14 | 13 | 12 | 11 | 10 | 9 | 8 | 7 | 6 | 5 | 4 | 3 | 2 | 1 | 0 |
|------------------|----|-------|----------|-------|--------------|----|----|----|----|----|----|----|----|----|----|----|----|----|----|----|----|----|---|---|---|---|---|---|---|---|---|---|
| Id               | A  | A     | A        | A     | A            | A  | A  | A  | A  | A  | A  | A  | A  | A  | A  | A  | A  | A  | A  | A  | A  | A  | A | A | A | A | A | A | A | A | A | A |
| Reset 0x00000000 | 0  | 0     | 0        | 0     | 0            | 0  | 0  | 0  | 0  | 0  | 0  | 0  | 0  | 0  | 0  | 0  | 0  | 0  | 0  | 0  | 0  | 0  | 0 | 0 | 0 | 0 | 0 | 0 | 0 | 0 | 0 | 0 |
| Id               | RW | Field | Value Id | Value | Description  |    |    |    |    |    |    |    |    |    |    |    |    |    |    |    |    |    |   |   |   |   |   |   |   |   |   |   |
| A                | RW | PTR   |          |       | Data pointer |    |    |    |    |    |    |    |    |    |    |    |    |    |    |    |    |    |   |   |   |   |   |   |   |   |   |   |

### 33.8.11 RXD.MAXCNT

Address offset: 0x538

Maximum number of bytes in receive buffer

| Bit number       | 31 | 30     | 29       | 28       | 27  | 26 | 25 | 24 | 23 | 22 | 21 | 20 | 19 | 18 | 17 | 16 | 15 | 14 | 13 | 12 | 11 | 10 | 9 | 8 | 7 | 6 | 5 | 4 | 3 | 2 | 1 | 0 |
|------------------|----|--------|----------|----------|---|----|----|----|----|----|----|----|----|----|----|----|----|----|----|----|----|----|---|---|---|---|---|---|---|---|---|---|
| Id               |    |        |          |          |   |    |    |    |    |    |    |    |    |    |    |    |    |    |    |    |    |    |   |   | A | A | A | A | A | A | A | A |
| Reset 0x00000000 | 0  | 0      | 0        | 0        | 0   | 0  | 0  | 0  | 0  | 0  | 0  | 0  | 0  | 0  | 0  | 0  | 0  | 0  | 0  | 0  | 0  | 0  | 0 | 0 | 0 | 0 | 0 | 0 | 0 | 0 | 0 | 0 |
| Id               | RW | Field  | Value Id | Value    | Description                               |    |    |    |    |    |    |    |    |    |    |    |    |    |    |    |    |    |   |   |   |   |   |   |   |   |   |   |
| A                | RW | MAXCNT |          | [1..255] | Maximum number of bytes in receive buffer |    |    |    |    |    |    |    |    |    |    |    |    |    |    |    |    |    |   |   |   |   |   |   |   |   |   |   |

### 33.8.12 RXD.AMOUNT

Address offset: 0x53C

Number of bytes transferred in the last transaction

| Bit number       | 31 | 30     | 29       | 28    | 27   | 26 | 25 | 24 | 23 | 22 | 21 | 20 | 19 | 18 | 17 | 16 | 15 | 14 | 13 | 12 | 11 | 10 | 9 | 8 | 7 | 6 | 5 | 4 | 3 | 2 | 1 | 0 |
|------------------|----|--------|----------|-------|--|----|----|----|----|----|----|----|----|----|----|----|----|----|----|----|----|----|---|---|---|---|---|---|---|---|---|---|
| Id               |    |        |          |       |  |    |    |    |    |    |    |    |    |    |    |    |    |    |    |    |    |    |   |   |   | A | A | A | A | A | A | A |
| Reset 0x00000000 | 0  | 0      | 0        | 0     | 0  | 0  | 0  | 0  | 0  | 0  | 0  | 0  | 0  | 0  | 0  | 0  | 0  | 0  | 0  | 0  | 0  | 0  | 0 | 0 | 0 | 0 | 0 | 0 | 0 | 0 | 0 | 0 |
| Id               | RW | Field  | Value Id | Value | Description  |    |    |    |    |    |    |    |    |    |    |    |    |    |    |    |    |    |   |   |   |   |   |   |   |   |   |   |
| A                | R  | AMOUNT |          |       | Number of bytes transferred in the last transaction. In case of NACK error, includes the NACK'ed byte. |    |    |    |    |    |    |    |    |    |    |    |    |    |    |    |    |    |   |   |   |   |   |   |   |   |   |   |

### 33.8.13 RXD.LIST

Address offset: 0x540

EasyDMA list type

| Bit number       | 31 | 30    | 29        | 28    | 27                   | 26 | 25 | 24 | 23 | 22 | 21 | 20 | 19 | 18 | 17 | 16 | 15 | 14 | 13 | 12 | 11 | 10 | 9 | 8 | 7 | 6 | 5 | 4 | 3 | 2 | 1 | 0 |   |
|------------------|----|-------|-----------|-------|----------------------|----|----|----|----|----|----|----|----|----|----|----|----|----|----|----|----|----|---|---|---|---|---|---|---|---|---|---|---|
| Id               |    |       |           |       |                      |    |    |    |    |    |    |    |    |    |    |    |    |    |    |    |    |    |   |   |   |   |   |   |   |   |   | A | A |
| Reset 0x00000000 | 0  | 0     | 0         | 0     | 0                    | 0  | 0  | 0  | 0  | 0  | 0  | 0  | 0  | 0  | 0  | 0  | 0  | 0  | 0  | 0  | 0  | 0  | 0 | 0 | 0 | 0 | 0 | 0 | 0 | 0 | 0 | 0 |   |
| Id               | RW | Field | Value Id  | Value | Description          |    |    |    |    |    |    |    |    |    |    |    |    |    |    |    |    |    |   |   |   |   |   |   |   |   |   |   |   |
| A                | RW | LIST  |           |       | List type            |    |    |    |    |    |    |    |    |    |    |    |    |    |    |    |    |    |   |   |   |   |   |   |   |   |   |   |   |
|                  |    |       | Disabled  | 0     | Disable EasyDMA list |    |    |    |    |    |    |    |    |    |    |    |    |    |    |    |    |    |   |   |   |   |   |   |   |   |   |   |   |
|                  |    |       | ArrayList | 1     | Use array list       |    |    |    |    |    |    |    |    |    |    |    |    |    |    |    |    |    |   |   |   |   |   |   |   |   |   |   |   |

### 33.8.14 TXD.PTR

Address offset: 0x544

Data pointer

| Bit number       | 31 | 30    | 29       | 28    | 27           | 26 | 25 | 24 | 23 | 22 | 21 | 20 | 19 | 18 | 17 | 16 | 15 | 14 | 13 | 12 | 11 | 10 | 9 | 8 | 7 | 6 | 5 | 4 | 3 | 2 | 1 | 0 |
|------------------|----|-------|----------|-------|--------------|----|----|----|----|----|----|----|----|----|----|----|----|----|----|----|----|----|---|---|---|---|---|---|---|---|---|---|
| Id               | A  | A     | A        | A     | A            | A  | A  | A  | A  | A  | A  | A  | A  | A  | A  | A  | A  | A  | A  | A  | A  | A  | A | A | A | A | A | A | A | A | A |   |
| Reset 0x00000000 | 0  | 0     | 0        | 0     | 0            | 0  | 0  | 0  | 0  | 0  | 0  | 0  | 0  | 0  | 0  | 0  | 0  | 0  | 0  | 0  | 0  | 0  | 0 | 0 | 0 | 0 | 0 | 0 | 0 | 0 | 0 |   |
| Id               | RW | Field | Value Id | Value | Description  |    |    |    |    |    |    |    |    |    |    |    |    |    |    |    |    |    |   |   |   |   |   |   |   |   |   |   |
| A                | RW | PTR   |          |       | Data pointer |    |    |    |    |    |    |    |    |    |    |    |    |    |    |    |    |    |   |   |   |   |   |   |   |   |   |   |

### 33.8.15 TXD.MAXCNT

Address offset: 0x548

Maximum number of bytes in transmit buffer

| Bit number       | 31 | 30     | 29       | 28 | 27    | 26   | 25 | 24 | 23 | 22 | 21 | 20 | 19 | 18 | 17 | 16 | 15 | 14 | 13 | 12 | 11 | 10 | 9 | 8 | 7 | 6 | 5 | 4 | 3 | 2 | 1 | 0 |   |   |   |   |   |   |   |   |   |   |   |   |   |   |   |   |   |   |   |   |   |   |   |   |
|------------------|----|--------|----------|----|-------|--|----|----|----|----|----|----|----|----|----|----|----|----|----|----|----|----|---|---|---|---|---|---|---|---|---|---|---|---|---|---|---|---|---|---|---|---|---|---|---|---|---|---|---|---|---|---|---|---|---|---|
| Id               |    |        |          |    |       |  |    |    |    |    |    |    |    |    |    |    |    |    |    |    |    |    |   |   | A | A | A | A | A | A | A | A | A | A | A | A | A | A | A | A | A | A | A | A | A | A | A | A | A | A | A | A | A | A | A | A |
| Reset 0x00000000 | 0  | 0      | 0        | 0  | 0     | 0  | 0  | 0  | 0  | 0  | 0  | 0  | 0  | 0  | 0  | 0  | 0  | 0  | 0  | 0  | 0  | 0  | 0 | 0 | 0 | 0 | 0 | 0 | 0 | 0 | 0 | 0 | 0 | 0 | 0 |   |   |   |   |   |   |   |   |   |   |   |   |   |   |   |   |   |   |   |   |   |
| Id               | RW | Field  | Value    | Id | Value | Description                                |    |    |    |    |    |    |    |    |    |    |    |    |    |    |    |    |   |   |   |   |   |   |   |   |   |   |   |   |   |   |   |   |   |   |   |   |   |   |   |   |   |   |   |   |   |   |   |   |   |   |
| A                | RW | MAXCNT | [1..255] |    |       | Maximum number of bytes in transmit buffer |    |    |    |    |    |    |    |    |    |    |    |    |    |    |    |    |   |   |   |   |   |   |   |   |   |   |   |   |   |   |   |   |   |   |   |   |   |   |   |   |   |   |   |   |   |   |   |   |   |   |

### 33.8.16 TXD.AMOUNT

Address offset: 0x54C

Number of bytes transferred in the last transaction

| Bit number       | 31 | 30     | 29    | 28 | 27    | 26   | 25 | 24 | 23 | 22 | 21 | 20 | 19 | 18 | 17 | 16 | 15 | 14 | 13 | 12 | 11 | 10 | 9 | 8 | 7 | 6 | 5 | 4 | 3 | 2 | 1 | 0 |   |   |   |   |   |   |   |   |   |   |   |   |   |   |   |   |   |   |   |   |   |   |   |
|------------------|----|--------|-------|----|-------|--|----|----|----|----|----|----|----|----|----|----|----|----|----|----|----|----|---|---|---|---|---|---|---|---|---|---|---|---|---|---|---|---|---|---|---|---|---|---|---|---|---|---|---|---|---|---|---|---|---|
| Id               |    |        |       |    |       |  |    |    |    |    |    |    |    |    |    |    |    |    |    |    |    |    |   |   | A | A | A | A | A | A | A | A | A | A | A | A | A | A | A | A | A | A | A | A | A | A | A | A | A | A | A | A | A | A | A |
| Reset 0x00000000 | 0  | 0      | 0     | 0  | 0     | 0  | 0  | 0  | 0  | 0  | 0  | 0  | 0  | 0  | 0  | 0  | 0  | 0  | 0  | 0  | 0  | 0  | 0 | 0 | 0 | 0 | 0 | 0 | 0 | 0 | 0 | 0 | 0 | 0 |   |   |   |   |   |   |   |   |   |   |   |   |   |   |   |   |   |   |   |   |   |
| Id               | RW | Field  | Value | Id | Value | Description  |    |    |    |    |    |    |    |    |    |    |    |    |    |    |    |    |   |   |   |   |   |   |   |   |   |   |   |   |   |   |   |   |   |   |   |   |   |   |   |   |   |   |   |   |   |   |   |   |   |
| A                | R  | AMOUNT |       |    |       | Number of bytes transferred in the last transaction. In case of NACK error, includes the NACK'ed byte. |    |    |    |    |    |    |    |    |    |    |    |    |    |    |    |    |   |   |   |   |   |   |   |   |   |   |   |   |   |   |   |   |   |   |   |   |   |   |   |   |   |   |   |   |   |   |   |   |   |

### 33.8.17 TXD.LIST

Address offset: 0x550

EasyDMA list type

| Bit number       | 31 | 30    | 29        | 28 | 27    | 26                   | 25 | 24 | 23 | 22 | 21 | 20 | 19 | 18 | 17 | 16 | 15 | 14 | 13 | 12 | 11 | 10 | 9 | 8 | 7 | 6 | 5 | 4 | 3 | 2 | 1 | 0 |   |   |   |   |   |   |   |   |   |   |   |   |   |   |   |   |   |   |   |   |   |   |   |
|------------------|----|-------|-----------|----|-------|----------------------|----|----|----|----|----|----|----|----|----|----|----|----|----|----|----|----|---|---|---|---|---|---|---|---|---|---|---|---|---|---|---|---|---|---|---|---|---|---|---|---|---|---|---|---|---|---|---|---|---|
| Id               |    |       |           |    |       |                      |    |    |    |    |    |    |    |    |    |    |    |    |    |    |    |    |   |   | A | A | A | A | A | A | A | A | A | A | A | A | A | A | A | A | A | A | A | A | A | A | A | A | A | A | A | A | A | A | A |
| Reset 0x00000000 | 0  | 0     | 0         | 0  | 0     | 0                    | 0  | 0  | 0  | 0  | 0  | 0  | 0  | 0  | 0  | 0  | 0  | 0  | 0  | 0  | 0  | 0  | 0 | 0 | 0 | 0 | 0 | 0 | 0 | 0 | 0 | 0 | 0 | 0 |   |   |   |   |   |   |   |   |   |   |   |   |   |   |   |   |   |   |   |   |   |
| Id               | RW | Field | Value     | Id | Value | Description          |    |    |    |    |    |    |    |    |    |    |    |    |    |    |    |    |   |   |   |   |   |   |   |   |   |   |   |   |   |   |   |   |   |   |   |   |   |   |   |   |   |   |   |   |   |   |   |   |   |
| A                | RW | LIST  |           |    |       | List type            |    |    |    |    |    |    |    |    |    |    |    |    |    |    |    |    |   |   |   |   |   |   |   |   |   |   |   |   |   |   |   |   |   |   |   |   |   |   |   |   |   |   |   |   |   |   |   |   |   |
|                  |    |       | Disabled  | 0  |       | Disable EasyDMA list |    |    |    |    |    |    |    |    |    |    |    |    |    |    |    |    |   |   |   |   |   |   |   |   |   |   |   |   |   |   |   |   |   |   |   |   |   |   |   |   |   |   |   |   |   |   |   |   |   |
|                  |    |       | ArrayList | 1  |       | Use array list       |    |    |    |    |    |    |    |    |    |    |    |    |    |    |    |    |   |   |   |   |   |   |   |   |   |   |   |   |   |   |   |   |   |   |   |   |   |   |   |   |   |   |   |   |   |   |   |   |   |

### 33.8.18 ADDRESS

Address offset: 0x588

Address used in the TWI transfer

| Bit number       | 31 | 30      | 29    | 28 | 27    | 26                               | 25 | 24 | 23 | 22 | 21 | 20 | 19 | 18 | 17 | 16 | 15 | 14 | 13 | 12 | 11 | 10 | 9 | 8 | 7 | 6 | 5 | 4 | 3 | 2 | 1 | 0 |   |   |   |   |   |   |   |   |   |   |   |   |   |   |   |   |   |   |   |   |   |   |   |
|------------------|----|---------|-------|----|-------|----------------------------------|----|----|----|----|----|----|----|----|----|----|----|----|----|----|----|----|---|---|---|---|---|---|---|---|---|---|---|---|---|---|---|---|---|---|---|---|---|---|---|---|---|---|---|---|---|---|---|---|---|
| Id               |    |         |       |    |       |                                  |    |    |    |    |    |    |    |    |    |    |    |    |    |    |    |    |   |   | A | A | A | A | A | A | A | A | A | A | A | A | A | A | A | A | A | A | A | A | A | A | A | A | A | A | A | A | A | A | A |
| Reset 0x00000000 | 0  | 0       | 0     | 0  | 0     | 0                                | 0  | 0  | 0  | 0  | 0  | 0  | 0  | 0  | 0  | 0  | 0  | 0  | 0  | 0  | 0  | 0  | 0 | 0 | 0 | 0 | 0 | 0 | 0 | 0 | 0 | 0 | 0 | 0 |   |   |   |   |   |   |   |   |   |   |   |   |   |   |   |   |   |   |   |   |   |
| Id               | RW | Field   | Value | Id | Value | Description                      |    |    |    |    |    |    |    |    |    |    |    |    |    |    |    |    |   |   |   |   |   |   |   |   |   |   |   |   |   |   |   |   |   |   |   |   |   |   |   |   |   |   |   |   |   |   |   |   |   |
| A                | RW | ADDRESS |       |    |       | Address used in the TWI transfer |    |    |    |    |    |    |    |    |    |    |    |    |    |    |    |    |   |   |   |   |   |   |   |   |   |   |   |   |   |   |   |   |   |   |   |   |   |   |   |   |   |   |   |   |   |   |   |   |   |

## 33.9 Electrical specification

### 33.9.1 TWIM interface electrical specifications

| Symbol                     | Description   | Min. | Typ.                         | Max. | Units |
|----------------------------|---|------|------------------------------|------|-------|
| f <sub>TWIM</sub>          | Bit rates for TWIM <sup>30</sup>  | 100  |                              | 400  | kbps  |
| I <sub>TWIM,100kbps</sub>  | Run current for TWIM, 100 kbps  |      | 50                           |      | µA    |
| I <sub>TWIM,400kbps</sub>  | Run current for TWIM, 400 kbps  |      | 50                           |      | µA    |
| t <sub>TWIM,START,LP</sub> | Time from STARTRX/STARTTX task to transmission started, Low power mode        |      | t <sub>TWIM,START</sub><br>+ |      | µs    |
| t <sub>TWIM,START,CL</sub> | Time from STARTRX/STARTTX task to transmission started, Constant latency mode |      | 1.5                          |      | µs    |

<sup>30</sup> Higher bit rates or stronger pull-ups may require GPIOs to be set as High Drive, see GPIO chapter for more details.

### 33.9.2 Two Wire Interface Master (TWIM) timing specifications

| Symbol                     | Description  | Min.  | Typ. | Max. | Units |
|----------------------------|--|-------|------|------|-------|
| $f_{TWIM,SCL,100kbps}$     | SCL clock frequency, 100 kbps  |       | 100  |      | kHz   |
| $f_{TWIM,SCL,250kbps}$     | SCL clock frequency, 250 kbps  |       | 250  |      | kHz   |
| $f_{TWIM,SCL,400kbps}$     | SCL clock frequency, 400 kbps  |       | 400  |      | kHz   |
| $t_{TWIM,SU\_DAT}$         | Data setup time before positive edge on SCL – all modes                | 300   |      |      | ns    |
| $t_{TWIM,HD\_DAT}$         | Data hold time after negative edge on SCL – all modes                  | 500   |      |      | ns    |
| $t_{TWIM,HD\_STA,100kbps}$ | TWIM master hold time for START and repeated START condition, 100 kbps | 10000 |      |      | ns    |
| $t_{TWIM,HD\_STA,250kbps}$ | TWIM master hold time for START and repeated START condition, 250kbps  | 4000  |      |      | ns    |
| $t_{TWIM,HD\_STA,400kbps}$ | TWIM master hold time for START and repeated START condition, 400 kbps | 2500  |      |      | ns    |
| $t_{TWIM,SU\_STO,100kbps}$ | TWIM master setup time from SCL high to STOP condition, 100 kbps       | 5000  |      |      | ns    |
| $t_{TWIM,SU\_STO,250kbps}$ | TWIM master setup time from SCL high to STOP condition, 250 kbps       | 2000  |      |      | ns    |
| $t_{TWIM,SU\_STO,400kbps}$ | TWIM master setup time from SCL high to STOP condition, 400 kbps       | 1250  |      |      | ns    |
| $t_{TWIM,BUF,100kbps}$     | TWIM master bus free time between STOP and START conditions, 100 kbps  | 5800  |      |      | ns    |
| $t_{TWIM,BUF,250kbps}$     | TWIM master bus free time between STOP and START conditions, 250 kbps  | 2700  |      |      | ns    |
| $t_{TWIM,BUF,400kbps}$     | TWIM master bus free time between STOP and START conditions, 400 kbps  | 2100  |      |      | ns    |

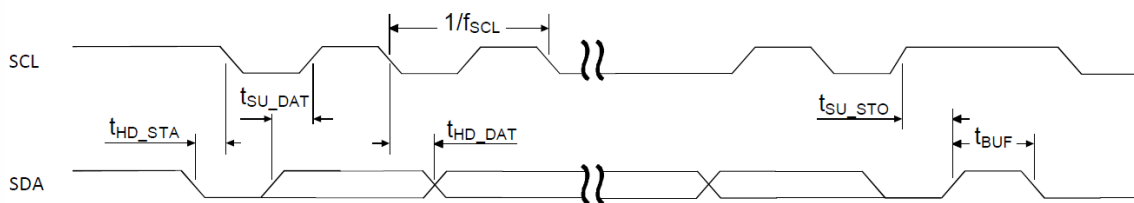


Figure 84: TWIM timing diagram, 1 byte transaction

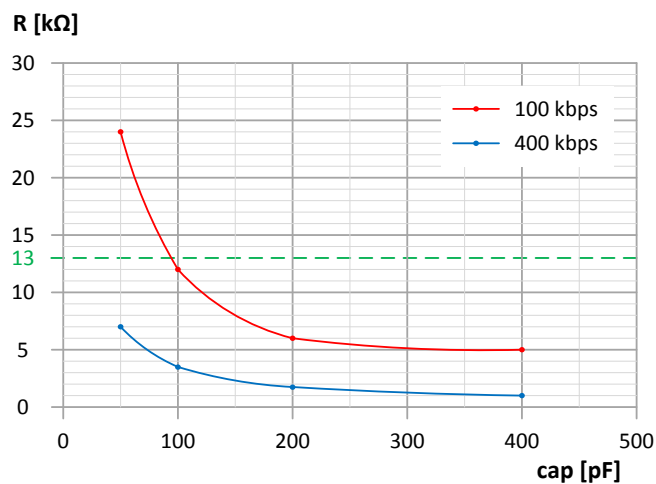
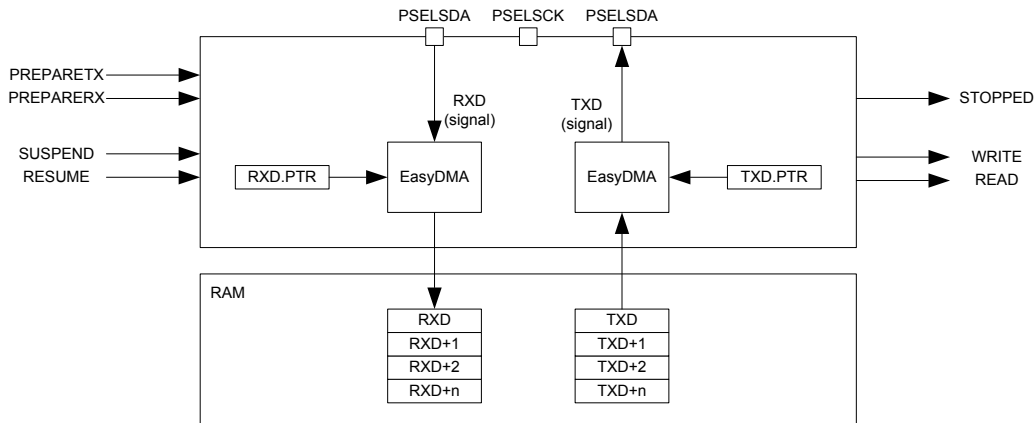


Figure 85: Recommended TWIM pullup value vs. line capacitance

- The I2C specification allows a line capacitance of 400 pF at most.
- The nRF52832 internal pullup has a fixed value of typ. 13 kOhm, see  $R_{PU}$  in the GPIO chapter.

## 34 TWIS — I<sup>2</sup>C compatible two-wire interface slave with EasyDMA

TWI slave with EasyDMA (TWIS) is compatible with I<sup>2</sup>C operating at 100 kHz and 400 kHz. The TWI transmitter and receiver implement EasyDMA.



**Figure 86: TWI slave with EasyDMA**

A typical TWI setup consists of one master and one or more slaves. For an example, see [Figure 87: A typical TWI setup comprising one master and three slaves](#) on page 319. TWIS is only able to operate with a single master on the TWI bus.



**Figure 87: A typical TWI setup comprising one master and three slaves**

The TWI slave state machine is illustrated in [Figure 88: TWI slave state machine](#) on page 320 and [Table 76: TWI slave state machine symbols](#) on page 320 is explaining the different symbols used in the state machine.

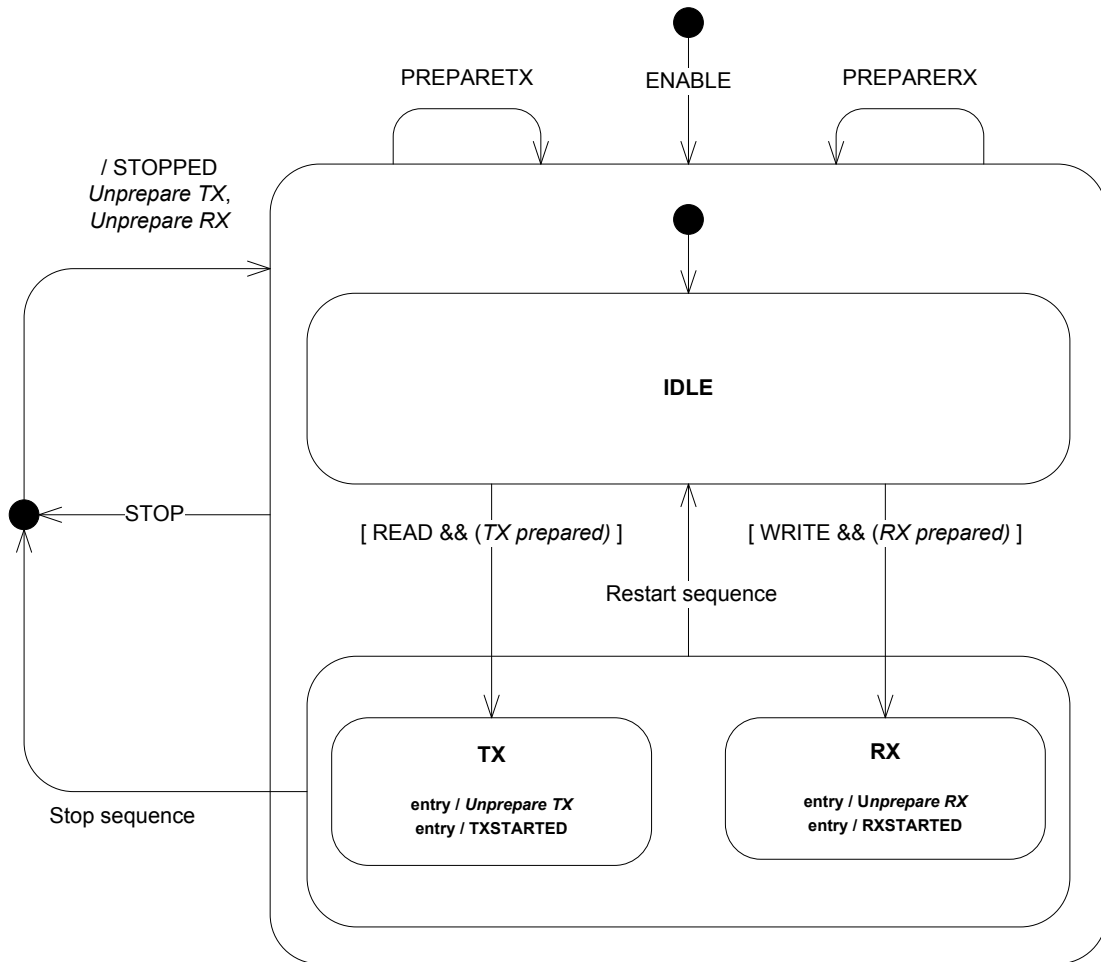


Figure 88: TWI slave state machine

Table 76: TWI slave state machine symbols

| Symbol           | Type         | Description   |
|------------------|--------------|---|
| ENABLE           | Register     | The TWI slave has been enabled via the <i>ENABLE</i> register   |
| PREPARETX        | Task         | The <i>TASKS_PREPARETX</i> task has been triggered  |
| STOP             | Task         | The <i>TASKS_STOP</i> task has been triggered   |
| PREPARERX        | Task         | The <i>TASKS_PREPARERX</i> task has been triggered  |
| STOPPED          | Event        | The <i>EVENTS_STOPPED</i> event was generated   |
| RXSTARTED        | Event        | The <i>EVENTS_RXSTARTED</i> event was generated   |
| TXSTARTED        | Event        | The <i>EVENTS_TXSTARTED</i> event was generated   |
| TX prepared      | Internal     | Internal flag indicating that a <i>TASKS_PREPARETX</i> task has been triggered. This flag is not visible to the user. |
| RX prepared      | Internal     | Internal flag indicating that a <i>TASKS_PREPARERX</i> task has been triggered. This flag is not visible to the user. |
| Unprepare TX     | Internal     | Clears the internal 'TX prepared' flag until next <i>TASKS_PREPARETX</i> task.  |
| Unprepare RX     | Internal     | Clears the internal 'RX prepared' flag until next <i>TASKS_PREPARERX</i> task.  |
| Stop sequence    | TWI protocol | A TWI stop sequence was detected  |
| Restart sequence | TWI protocol | A TWI restart sequence was detected   |

The TWI slave supports clock stretching performed by the master.

The TWI slave operates in a low power mode while waiting for a TWI master to initiate a transfer. As long as the TWI slave is not addressed, it will remain in this low power mode.

To secure correct behaviour of the TWI slave, PSEL.SCL, PSEL.SDA, CONFIG and the ADDRESS[n] registers, must be configured prior to enabling the TWI slave through the ENABLE register. Similarly, changing these settings must be performed while the TWI slave is disabled. Failing to do so may result in unpredictable behaviour.



## 34.1 Shared resources

The TWI slave shares registers and other resources with other peripherals that have the same ID as the TWI slave.

Therefore, you must disable all peripherals that have the same ID as the TWI slave before the TWI slave can be configured and used. Disabling a peripheral that has the same ID as the TWI slave will not reset any of the registers that are shared with the TWI slave. It is therefore important to configure all relevant registers explicitly to secure that the TWI slave operates correctly.

The Instantiation table in [Instantiation](#) on page 24 shows which peripherals have the same ID as the TWI slave.

## 34.2 EasyDMA

The TWI slave implements EasyDMA for reading and writing to and from the RAM.

The STOPPED event indicates that EasyDMA has finished accessing the buffer in RAM.

If the TXD.PTR and the RXD.PTR are not pointing to the Data RAM region, an EasyDMA transfer may result in a HardFault or RAM corruption. See [Memory](#) on page 23 for more information about the different memory regions.

## 34.3 TWI slave responding to a read command

Before the TWI slave can respond to a read command the TWI slave must be configured correctly and enabled via the ENABLE register. When enabled the TWI slave will be in its IDLE state where it will consume  $I_{IDLE}$ .

A read command is started when the TWI master generates a start condition on the TWI bus, followed by clocking out the address and the READ/WRITE bit set to 1 (WRITE=0, READ=1). The READ/WRITE bit is followed by an ACK/NACK bit (ACK=0 or NACK=1) response from the TWI slave.

The TWI slave is able to listen for up to two addresses at the same time. Which addresses to listen for is configured in the ADDRESS registers and the CONFIG register.

The TWI slave will only acknowledge (ACK) the read command if the address presented by the master matches one of the addresses the slave is configured to listen for. The TWI slave will generate a READ event when it acknowledges the read command.

The TWI slave is only able to detect a read command from the IDLE state.

The TWI slave will set an internal 'TX prepared' flag when the PREPARETX task is triggered.

When the read command is received the TWI slave will enter the TX state if the internal 'TX prepared' flag is set.

If the internal 'TX prepared' flag is not set when the read command is received, the TWI slave will stretch the master's clock until the PREPARETX task is triggered and the internal 'TX prepared' flag is set.

The TWI slave will generate the TXSTARTED event and clear the 'TX prepared' flag ('unprepare TX') when it enters the TX state. In this state the TWI slave will send the data bytes found in the transmit buffer to the master using the master's clock. The TWI slave will consume  $I_{TX}$  in this mode.

The TWI slave will go back to the IDLE state if the TWI slave receives a restart command when it is in the TX state.

The TWI slave is stopped when it receives the stop condition from the TWI master. A STOPPED event will be generated when the transaction has stopped. The TWI slave will clear the 'TX prepared' flag ('unprepare TX') and go back to the IDLE state when it has stopped.

The transmit buffer is located in RAM at the address specified in the TXD.PTR register. The TWI slave will only be able to send TXD.MAXCNT bytes from the transmit buffer for each transaction. If the TWI master

forces the slave to send more than TXD.MAXCNT bytes, the slave will send the byte specified in the ORC register to the master instead. If this happens, an ERROR event will be generated.

The EasyDMA configuration registers, see TXD.PTR etc., are latched when the TXSTARTED event is generated.

The TWI slave can be forced to stop by triggering the STOP task. A STOPPED event will be generated when the TWI slave has stopped. The TWI slave will clear the 'TX prepared' flag and go back to the IDLE state when it has stopped, see also [Terminating an ongoing TWI transaction](#) on page 324.

Each byte sent from the slave will be followed by an ACK/NACK bit sent from the master. The TWI master will generate a NACK following the last byte that it wants to receive to tell the slave to release the bus so that the TWI master can generate the stop condition. The TXD.AMOUNT register can be queried after a transaction to see how many bytes were sent.

A typical TWI slave read command response is illustrated in [Figure 89: The TWI slave responding to a read command](#) on page 322. Occurrence 2 in the figure illustrates clock stretching performed by the TWI slave following a SUSPEND task.



**Figure 89: The TWI slave responding to a read command**

### 34.4 TWI slave responding to a write command

Before the TWI slave can respond to a write command the TWI slave must be configured correctly and enabled via the ENABLE register. When enabled the TWI slave will be in its IDLE state where it will consume I<sub>IDLE</sub>.

A write command is started when the TWI master generates a start condition on the TWI bus, followed by clocking out the address and the READ/WRITE bit set to 0 (WRITE=0, READ=1). The READ/WRITE bit is followed by an ACK/NACK bit (ACK=0 or NACK=1) response from the slave.

The TWI slave is able to listen for up to two addresses at the same time. Which addresses to listen for is configured in the ADDRESS registers and the CONFIG register.

The TWI slave will only acknowledge (ACK) the write command if the address presented by the master matches one of the addresses the slave is configured to listen for. The TWI slave will generate a WRITE event if it acknowledges the write command.

The TWI slave is only able to detect a write command from the IDLE state.

The TWI slave will set an internal 'RX prepared' flag when the PREPARERX task is triggered.

When the write command is received the TWI slave will enter the RX state if the internal 'RX prepared' flag is set.

If the internal 'RX prepared' flag is not set when the write command is received, the TWI slave will stretch the master's clock until the PREPARERX task is triggered and the internal 'RX prepared' flag is set.

The TWI slave will generate the RXSTARTED event and clear the internal 'RX prepared' flag ('unprepare RX') when it enters the RX state. In this state the TWI slave will be able to receive the bytes sent by the TWI master. The TWI slave will consume I<sub>RX</sub> in this mode.

The TWI slave will go back to the IDLE state if the TWI slave receives a restart command when it is in the RX state.

The TWI slave is stopped when it receives the stop condition from the TWI master. A STOPPED event will be generated when the transaction has stopped. The TWI slave will clear the internal 'RX prepared' flag ('unprepare RX') and go back to the IDLE state when it has stopped.

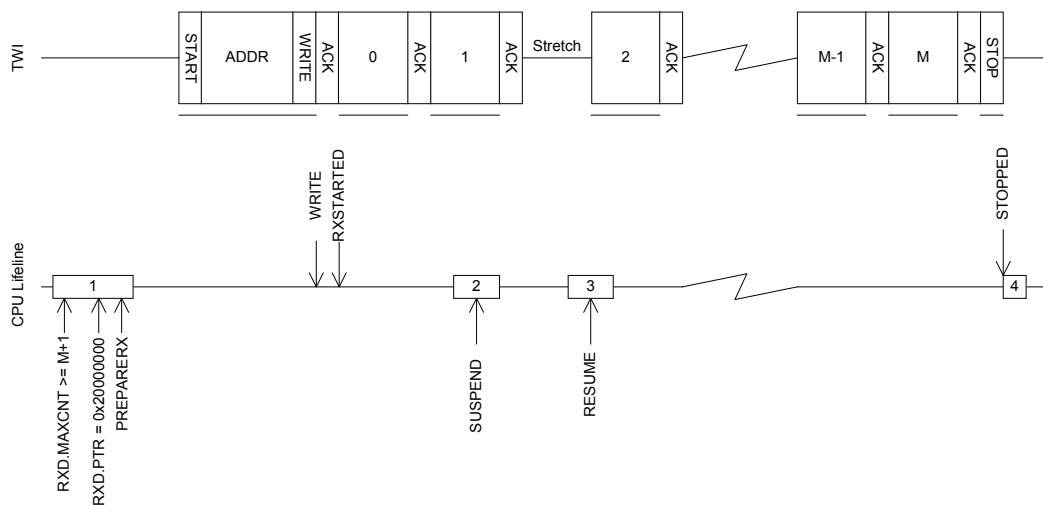
The receive buffer is located in RAM at the address specified in the TXD.PTR register. The TWI slave will only be able to receive as many bytes as specified in the RXD.MAXCNT register. If the TWI master tries to send more bytes to the slave than the slave is able to receive, these bytes will be discarded and the bytes will be NACKed by the slave. If this happens, an ERROR event will be generated.

The EasyDMA configuration registers, see RXD.PTR etc., are latched when the RXSTARTED event is generated.

The TWI slave can be forced to stop by triggering the STOP task. A STOPPED event will be generated when the TWI slave has stopped. The TWI slave will clear the internal 'RX prepared' flag and go back to the IDLE state when it has stopped, see also [Terminating an ongoing TWI transaction](#) on page 324.

The TWI slave will generate an ACK after every byte received from the master. The RXD.AMOUNT register can be queried after a transaction to see how many bytes were received.

A typical TWI slave write command response is illustrated in [Figure 90: The TWI slave responding to a write command](#) on page 323. Occurrence 2 in the figure illustrates clock stretching performed by the TWI slave following a SUSPEND task.



**Figure 90: The TWI slave responding to a write command**

### 34.5 Master repeated start sequence

An example of a repeated start sequence is one in which the TWI master writes two bytes to the slave followed by reading four bytes from the slave.

This is illustrated in [Figure 91: A repeated start sequence, where the TWI master writes two bytes followed by reading four bytes from the slave](#) on page 324.

It is here assumed that the receiver does not know in advance what the master wants to read, and that this information is provided in the first two bytes received in the write part of the repeated start sequence. To guarantee that the CPU is able to process the received data before the TWI slave starts to reply to the read command, the SUSPEND task is triggered via a shortcut from the READ event generated when the read command is received. When the CPU has processed the incoming data and prepared the correct data response, the CPU will resume the transaction by triggering the RESUME task.



**Figure 91: A repeated start sequence, where the TWI master writes two bytes followed by reading four bytes from the slave**

### 34.6 Terminating an ongoing TWI transaction

In some situations, e.g. if the external TWI master is not responding correctly, it may be required to terminate an ongoing transaction.

This can be achieved by triggering the STOP task. In this situation a STOPPED event will be generated when the TWI has stopped independent of whether or not a STOP condition has been generated on the TWI bus. The TWI slave will release the bus when it has stopped and go back to its IDLE state.

### 34.7 Low power

When putting the system in low power and the peripheral is not needed, lowest possible power consumption is achieved by stopping, and then disabling the peripheral.

The STOP task may not be always needed (the peripheral might already be stopped), but if it is sent, software shall wait until the STOPPED event was received as a response before disabling the peripheral through the ENABLE register.

### 34.8 Slave mode pin configuration

The SCL and SDA signals associated with the TWI slave are mapped to physical pins according to the configuration specified in the PSEL.SCL and PSEL.SDA registers respectively.

The PSEL.SCL and PSEL.SDA registers and their configurations are only used as long as the TWI slave is enabled, and retained only as long as the device is in ON mode. When the peripheral is disabled, the pins will behave as regular GPIOs, and use the configuration in their respective OUT bit field and PIN\_CNF[n] register. PSEL.SCL and PSEL.SDA must only be configured when the TWI slave is disabled.

To secure correct signal levels on the pins used by the TWI slave when the system is in OFF mode, and when the TWI slave is disabled, these pins must be configured in the GPIO peripheral as described in [Table 77: GPIO configuration before enabling peripheral](#) on page 324.

Only one peripheral can be assigned to drive a particular GPIO pin at a time. Failing to do so may result in unpredictable behavior.

**Table 77: GPIO configuration before enabling peripheral**

| TWI slave signal | TWI slave pin            | Direction | Output value   | Drive strength |
|------------------|--------------------------|-----------|----------------|----------------|
| SCL              | As specified in PSEL.SCL | Input     | Not applicable | S0D1           |
| SDA              | As specified in PSEL.SDA | Input     | Not applicable | S0D1           |

## 34.9 Registers

**Table 78: Instances**

| Base address | Peripheral | Instance | Description                | Configuration |
|--------------|------------|----------|----------------------------|---------------|
| 0x40003000   | TWIS       | TWIS0    | Two-wire interface slave 0 |               |
| 0x40004000   | TWIS       | TWIS1    | Two-wire interface slave 1 |               |

**Table 79: Register Overview**

| Register         | Offset | Description   |
|------------------|--------|---|
| TASKS_STOP       | 0x014  | Stop TWI transaction  |
| TASKS_SUSPEND    | 0x01C  | Suspend TWI transaction   |
| TASKS_RESUME     | 0x020  | Resume TWI transaction  |
| TASKS_PREPARERX  | 0x030  | Prepare the TWI slave to respond to a write command                                     |
| TASKS_PREPARETX  | 0x034  | Prepare the TWI slave to respond to a read command                                      |
| EVENTS_STOPPED   | 0x104  | TWI stopped   |
| EVENTS_ERROR     | 0x124  | TWI error   |
| EVENTS_RXSTARTED | 0x14C  | Receive sequence started  |
| EVENTS_TXSTARTED | 0x150  | Transmit sequence started   |
| EVENTS_WRITE     | 0x164  | Write command received  |
| EVENTS_READ      | 0x168  | Read command received   |
| SHORTS           | 0x200  | Shortcut register   |
| INTEN            | 0x300  | Enable or disable interrupt   |
| INTENSET         | 0x304  | Enable interrupt  |
| INTENCLR         | 0x308  | Disable interrupt   |
| ERRORSRC         | 0x4D0  | Error source  |
| MATCH            | 0x4D4  | Status register indicating which address had a match                                    |
| ENABLE           | 0x500  | Enable TWIS   |
| PSEL_SCL         | 0x508  | Pin select for SCL signal   |
| PSEL_SDA         | 0x50C  | Pin select for SDA signal   |
| RXD_PTR          | 0x534  | RXD Data pointer  |
| RXD_MAXCNT       | 0x538  | Maximum number of bytes in RXD buffer   |
| RXD_AMOUNT       | 0x53C  | Number of bytes transferred in the last RXD transaction                                 |
| TXD_PTR          | 0x544  | TXD Data pointer  |
| TXD_MAXCNT       | 0x548  | Maximum number of bytes in TXD buffer   |
| TXD_AMOUNT       | 0x54C  | Number of bytes transferred in the last TXD transaction                                 |
| ADDRESS[0]       | 0x588  | TWI slave address 0   |
| ADDRESS[1]       | 0x58C  | TWI slave address 1   |
| CONFIG           | 0x594  | Configuration register for the address match mechanism                                  |
| ORC              | 0x5C0  | Over-read character. Character sent out in case of an over-read of the transmit buffer. |

### 34.9.1 SHORTS

Address offset: 0x200

Shortcut register

| Bit number       |    |               |          |    |       |  |  |  |  |  |  |  |  |  |  |  |  |  |  |  |  |  |  |  |  |  |  |  |  |  |  |
|------------------|----|---------------|----------|----|-------|--|--|--|--|--|--|--|--|--|--|--|--|--|--|--|--|--|--|--|--|--|--|--|--|--|--|
| Id               |    |               |          |    |       |  |  |  |  |  |  |  |  |  |  |  |  |  |  |  |  |  |  |  |  |  |  |  |  |  |  |
| Reset 0x00000000 |    |               |          |    |       |  |  |  |  |  |  |  |  |  |  |  |  |  |  |  |  |  |  |  |  |  |  |  |  |  |  |
| Id               | RW | Field         | Value    | Id | Value | Description  |  |  |  |  |  |  |  |  |  |  |  |  |  |  |  |  |  |  |  |  |  |  |  |  |  |
| A                | RW | WRITE_SUSPEND |          |    |       | Shortcut between WRITE event and SUSPEND task  |  |  |  |  |  |  |  |  |  |  |  |  |  |  |  |  |  |  |  |  |  |  |  |  |  |
|                  |    |               | Disabled | 0  |       | See <a href="#">EVENTS_WRITE</a> and <a href="#">TASKS_SUSPEND</a><br>Disable shortcut |  |  |  |  |  |  |  |  |  |  |  |  |  |  |  |  |  |  |  |  |  |  |  |  |  |
|                  |    |               | Enabled  | 1  |       | Enable shortcut  |  |  |  |  |  |  |  |  |  |  |  |  |  |  |  |  |  |  |  |  |  |  |  |  |  |
| B                | RW | READ_SUSPEND  |          |    |       | Shortcut between READ event and SUSPEND task   |  |  |  |  |  |  |  |  |  |  |  |  |  |  |  |  |  |  |  |  |  |  |  |  |  |
|                  |    |               |          |    |       | See <a href="#">EVENTS_READ</a> and <a href="#">TASKS_SUSPEND</a>                      |  |  |  |  |  |  |  |  |  |  |  |  |  |  |  |  |  |  |  |  |  |  |  |  |  |

| Bit number       | 31 | 30    | 29       | 28 | 27    | 26               | 25 | 24 | 23 | 22 | 21 | 20 | 19 | 18 | 17 | 16 | 15 | 14 | 13 | 12 | 11 | 10 | 9 | 8 | 7 | 6 | 5 | 4 | 3 | 2 | 1 | 0 |
|------------------|----|-------|----------|----|-------|------------------|----|----|----|----|----|----|----|----|----|----|----|----|----|----|----|----|---|---|---|---|---|---|---|---|---|---|
| Id               |    |       |          |    |       |                  |    |    |    |    |    |    |    |    |    |    | B  | A  |    |    |    |    |   |   |   |   |   |   |   |   |   |   |
| Reset 0x00000000 | 0  | 0     | 0        | 0  | 0     | 0                | 0  | 0  | 0  | 0  | 0  | 0  | 0  | 0  | 0  | 0  | 0  | 0  | 0  | 0  | 0  | 0  | 0 | 0 | 0 | 0 | 0 | 0 | 0 | 0 | 0 | 0 |
| Id               | RW | Field | Value    | Id | Value | Description      |    |    |    |    |    |    |    |    |    |    |    |    |    |    |    |    |   |   |   |   |   |   |   |   |   |   |
|                  |    |       | Disabled |    | 0     | Disable shortcut |    |    |    |    |    |    |    |    |    |    |    |    |    |    |    |    |   |   |   |   |   |   |   |   |   |   |
|                  |    |       | Enabled  |    | 1     | Enable shortcut  |    |    |    |    |    |    |    |    |    |    |    |    |    |    |    |    |   |   |   |   |   |   |   |   |   |   |

### 34.9.2 INTEN

Address offset: 0x300

Enable or disable interrupt

| Bit number       | 31 | 30        | 29       | 28 | 27    | 26  | 25 | 24 | 23 | 22 | 21 | 20 | 19 | 18 | 17 | 16 | 15 | 14 | 13 | 12 | 11 | 10 | 9 | 8 | 7 | 6 | 5 | 4 | 3 | 2 | 1 | 0 |   |   |
|------------------|----|-----------|----------|----|-------|---|----|----|----|----|----|----|----|----|----|----|----|----|----|----|----|----|---|---|---|---|---|---|---|---|---|---|---|---|
| Id               |    |           |          |    |       |   |    |    |    |    |    |    |    |    |    |    | H  | G  |    |    |    |    |   |   | F | E |   |   |   |   |   |   | B | A |
| Reset 0x00000000 | 0  | 0         | 0        | 0  | 0     | 0   | 0  | 0  | 0  | 0  | 0  | 0  | 0  | 0  | 0  | 0  | 0  | 0  | 0  | 0  | 0  | 0  | 0 | 0 | 0 | 0 | 0 | 0 | 0 | 0 | 0 | 0 |   |   |
| Id               | RW | Field     | Value    | Id | Value | Description                                     |    |    |    |    |    |    |    |    |    |    |    |    |    |    |    |    |   |   |   |   |   |   |   |   |   |   |   |   |
| A                | RW | STOPPED   |          |    |       | Enable or disable interrupt for STOPPED event   |    |    |    |    |    |    |    |    |    |    |    |    |    |    |    |    |   |   |   |   |   |   |   |   |   |   |   |   |
|                  |    |           | Disabled |    | 0     | Disable   |    |    |    |    |    |    |    |    |    |    |    |    |    |    |    |    |   |   |   |   |   |   |   |   |   |   |   |   |
|                  |    |           | Enabled  |    | 1     | Enable  |    |    |    |    |    |    |    |    |    |    |    |    |    |    |    |    |   |   |   |   |   |   |   |   |   |   |   |   |
| B                | RW | ERROR     |          |    |       | Enable or disable interrupt for ERROR event     |    |    |    |    |    |    |    |    |    |    |    |    |    |    |    |    |   |   |   |   |   |   |   |   |   |   |   |   |
|                  |    |           | Disabled |    | 0     | Disable   |    |    |    |    |    |    |    |    |    |    |    |    |    |    |    |    |   |   |   |   |   |   |   |   |   |   |   |   |
|                  |    |           | Enabled  |    | 1     | Enable  |    |    |    |    |    |    |    |    |    |    |    |    |    |    |    |    |   |   |   |   |   |   |   |   |   |   |   |   |
| E                | RW | RXSTARTED |          |    |       | Enable or disable interrupt for RXSTARTED event |    |    |    |    |    |    |    |    |    |    |    |    |    |    |    |    |   |   |   |   |   |   |   |   |   |   |   |   |
|                  |    |           | Disabled |    | 0     | Disable   |    |    |    |    |    |    |    |    |    |    |    |    |    |    |    |    |   |   |   |   |   |   |   |   |   |   |   |   |
|                  |    |           | Enabled  |    | 1     | Enable  |    |    |    |    |    |    |    |    |    |    |    |    |    |    |    |    |   |   |   |   |   |   |   |   |   |   |   |   |
| F                | RW | TXSTARTED |          |    |       | Enable or disable interrupt for TXSTARTED event |    |    |    |    |    |    |    |    |    |    |    |    |    |    |    |    |   |   |   |   |   |   |   |   |   |   |   |   |
|                  |    |           | Disabled |    | 0     | Disable   |    |    |    |    |    |    |    |    |    |    |    |    |    |    |    |    |   |   |   |   |   |   |   |   |   |   |   |   |
|                  |    |           | Enabled  |    | 1     | Enable  |    |    |    |    |    |    |    |    |    |    |    |    |    |    |    |    |   |   |   |   |   |   |   |   |   |   |   |   |
| G                | RW | WRITE     |          |    |       | Enable or disable interrupt for WRITE event     |    |    |    |    |    |    |    |    |    |    |    |    |    |    |    |    |   |   |   |   |   |   |   |   |   |   |   |   |
|                  |    |           | Disabled |    | 0     | Disable   |    |    |    |    |    |    |    |    |    |    |    |    |    |    |    |    |   |   |   |   |   |   |   |   |   |   |   |   |
|                  |    |           | Enabled  |    | 1     | Enable  |    |    |    |    |    |    |    |    |    |    |    |    |    |    |    |    |   |   |   |   |   |   |   |   |   |   |   |   |
| H                | RW | READ      |          |    |       | Enable or disable interrupt for READ event      |    |    |    |    |    |    |    |    |    |    |    |    |    |    |    |    |   |   |   |   |   |   |   |   |   |   |   |   |
|                  |    |           | Disabled |    | 0     | Disable   |    |    |    |    |    |    |    |    |    |    |    |    |    |    |    |    |   |   |   |   |   |   |   |   |   |   |   |   |
|                  |    |           | Enabled  |    | 1     | Enable  |    |    |    |    |    |    |    |    |    |    |    |    |    |    |    |    |   |   |   |   |   |   |   |   |   |   |   |   |

### 34.9.3 INTENSET

Address offset: 0x304

Enable interrupt

| Bit number       | 31 | 30      | 29       | 28 | 27    | 26  | 25 | 24 | 23 | 22 | 21 | 20 | 19 | 18 | 17 | 16 | 15 | 14 | 13 | 12 | 11 | 10 | 9 | 8 | 7 | 6 | 5 | 4 | 3 | 2 | 1 | 0 |   |   |
|------------------|----|---------|----------|----|-------|---|----|----|----|----|----|----|----|----|----|----|----|----|----|----|----|----|---|---|---|---|---|---|---|---|---|---|---|---|
| Id               |    |         |          |    |       |   |    |    |    |    |    |    |    |    |    |    | H  | G  |    |    |    |    |   |   | F | E |   |   |   |   |   |   | B | A |
| Reset 0x00000000 | 0  | 0       | 0        | 0  | 0     | 0   | 0  | 0  | 0  | 0  | 0  | 0  | 0  | 0  | 0  | 0  | 0  | 0  | 0  | 0  | 0  | 0  | 0 | 0 | 0 | 0 | 0 | 0 | 0 | 0 | 0 | 0 |   |   |
| Id               | RW | Field   | Value    | Id | Value | Description                                     |    |    |    |    |    |    |    |    |    |    |    |    |    |    |    |    |   |   |   |   |   |   |   |   |   |   |   |   |
| A                | RW | STOPPED |          |    |       | Write '1' to Enable interrupt for STOPPED event |    |    |    |    |    |    |    |    |    |    |    |    |    |    |    |    |   |   |   |   |   |   |   |   |   |   |   |   |
|                  |    |         | Set      |    | 1     | Enable  |    |    |    |    |    |    |    |    |    |    |    |    |    |    |    |    |   |   |   |   |   |   |   |   |   |   |   |   |
|                  |    |         | Disabled |    | 0     | Read: Disabled                                  |    |    |    |    |    |    |    |    |    |    |    |    |    |    |    |    |   |   |   |   |   |   |   |   |   |   |   |   |
|                  |    |         | Enabled  |    | 1     | Read: Enabled                                   |    |    |    |    |    |    |    |    |    |    |    |    |    |    |    |    |   |   |   |   |   |   |   |   |   |   |   |   |
| B                | RW | ERROR   |          |    |       | Write '1' to Enable interrupt for ERROR event   |    |    |    |    |    |    |    |    |    |    |    |    |    |    |    |    |   |   |   |   |   |   |   |   |   |   |   |   |

| Bit number       | 31 30 29 28 27 26 25 24 23 22 21 20 19 18 17 16 15 14 13 12 11 10 9 8 7 6 5 4 3 2 1 0 |           |          |       |   |  |  |     |  |  |  |  |  |  |   |  |  |  |  |  |  |   |  |  |  |  |  |  |  |  |  |
|------------------|---|-----------|----------|-------|---|--|--|-----|--|--|--|--|--|--|---|--|--|--|--|--|--|---|--|--|--|--|--|--|--|--|--|
| Id               | H G   |           |          |       |   |  |  | F E |  |  |  |  |  |  | B |  |  |  |  |  |  | A |  |  |  |  |  |  |  |  |  |
| Reset 0x00000000 | 0             |           |          |       |   |  |  |     |  |  |  |  |  |  |   |  |  |  |  |  |  |   |  |  |  |  |  |  |  |  |  |
| Id               | RW  | Field     | Value Id | Value | Description                                       |  |  |     |  |  |  |  |  |  |   |  |  |  |  |  |  |   |  |  |  |  |  |  |  |  |  |
|                  |   |           | Set      | 1     | Enable  |  |  |     |  |  |  |  |  |  |   |  |  |  |  |  |  |   |  |  |  |  |  |  |  |  |  |
|                  |   |           | Disabled | 0     | Read: Disabled                                    |  |  |     |  |  |  |  |  |  |   |  |  |  |  |  |  |   |  |  |  |  |  |  |  |  |  |
|                  |   |           | Enabled  | 1     | Read: Enabled                                     |  |  |     |  |  |  |  |  |  |   |  |  |  |  |  |  |   |  |  |  |  |  |  |  |  |  |
| E                | RW  | RXSTARTED |          |       | Write '1' to Enable interrupt for RXSTARTED event |  |  |     |  |  |  |  |  |  |   |  |  |  |  |  |  |   |  |  |  |  |  |  |  |  |  |
|                  |   |           |          |       | See <a href="#">EVENTS_ERROR</a>                  |  |  |     |  |  |  |  |  |  |   |  |  |  |  |  |  |   |  |  |  |  |  |  |  |  |  |
|                  |   |           | Set      | 1     | Enable  |  |  |     |  |  |  |  |  |  |   |  |  |  |  |  |  |   |  |  |  |  |  |  |  |  |  |
|                  |   |           | Disabled | 0     | Read: Disabled                                    |  |  |     |  |  |  |  |  |  |   |  |  |  |  |  |  |   |  |  |  |  |  |  |  |  |  |
|                  |   |           | Enabled  | 1     | Read: Enabled                                     |  |  |     |  |  |  |  |  |  |   |  |  |  |  |  |  |   |  |  |  |  |  |  |  |  |  |
| F                | RW  | TXSTARTED |          |       | Write '1' to Enable interrupt for TXSTARTED event |  |  |     |  |  |  |  |  |  |   |  |  |  |  |  |  |   |  |  |  |  |  |  |  |  |  |
|                  |   |           |          |       | See <a href="#">EVENTS_RXSTARTED</a>              |  |  |     |  |  |  |  |  |  |   |  |  |  |  |  |  |   |  |  |  |  |  |  |  |  |  |
|                  |   |           | Set      | 1     | Enable  |  |  |     |  |  |  |  |  |  |   |  |  |  |  |  |  |   |  |  |  |  |  |  |  |  |  |
|                  |   |           | Disabled | 0     | Read: Disabled                                    |  |  |     |  |  |  |  |  |  |   |  |  |  |  |  |  |   |  |  |  |  |  |  |  |  |  |
|                  |   |           | Enabled  | 1     | Read: Enabled                                     |  |  |     |  |  |  |  |  |  |   |  |  |  |  |  |  |   |  |  |  |  |  |  |  |  |  |
| G                | RW  | WRITE     |          |       | Write '1' to Enable interrupt for WRITE event     |  |  |     |  |  |  |  |  |  |   |  |  |  |  |  |  |   |  |  |  |  |  |  |  |  |  |
|                  |   |           |          |       | See <a href="#">EVENTS_TXSTARTED</a>              |  |  |     |  |  |  |  |  |  |   |  |  |  |  |  |  |   |  |  |  |  |  |  |  |  |  |
|                  |   |           | Set      | 1     | Enable  |  |  |     |  |  |  |  |  |  |   |  |  |  |  |  |  |   |  |  |  |  |  |  |  |  |  |
|                  |   |           | Disabled | 0     | Read: Disabled                                    |  |  |     |  |  |  |  |  |  |   |  |  |  |  |  |  |   |  |  |  |  |  |  |  |  |  |
|                  |   |           | Enabled  | 1     | Read: Enabled                                     |  |  |     |  |  |  |  |  |  |   |  |  |  |  |  |  |   |  |  |  |  |  |  |  |  |  |
| H                | RW  | READ      |          |       | Write '1' to Enable interrupt for READ event      |  |  |     |  |  |  |  |  |  |   |  |  |  |  |  |  |   |  |  |  |  |  |  |  |  |  |
|                  |   |           |          |       | See <a href="#">EVENTS_WRITE</a>                  |  |  |     |  |  |  |  |  |  |   |  |  |  |  |  |  |   |  |  |  |  |  |  |  |  |  |
|                  |   |           | Set      | 1     | Enable  |  |  |     |  |  |  |  |  |  |   |  |  |  |  |  |  |   |  |  |  |  |  |  |  |  |  |
|                  |   |           | Disabled | 0     | Read: Disabled                                    |  |  |     |  |  |  |  |  |  |   |  |  |  |  |  |  |   |  |  |  |  |  |  |  |  |  |
|                  |   |           | Enabled  | 1     | Read: Enabled                                     |  |  |     |  |  |  |  |  |  |   |  |  |  |  |  |  |   |  |  |  |  |  |  |  |  |  |

### 34.9.4 INTENCLR

Address offset: 0x308

Disable interrupt

| Bit number       | 31 30 29 28 27 26 25 24 23 22 21 20 19 18 17 16 15 14 13 12 11 10 9 8 7 6 5 4 3 2 1 0 |           |          |       |  |  |  |     |  |  |  |  |  |  |   |  |  |  |  |  |  |   |  |  |  |  |  |  |  |  |  |
|------------------|---|-----------|----------|-------|--|--|--|-----|--|--|--|--|--|--|---|--|--|--|--|--|--|---|--|--|--|--|--|--|--|--|--|
| Id               | H G   |           |          |       |  |  |  | F E |  |  |  |  |  |  | B |  |  |  |  |  |  | A |  |  |  |  |  |  |  |  |  |
| Reset 0x00000000 | 0             |           |          |       |  |  |  |     |  |  |  |  |  |  |   |  |  |  |  |  |  |   |  |  |  |  |  |  |  |  |  |
| Id               | RW  | Field     | Value Id | Value | Description  |  |  |     |  |  |  |  |  |  |   |  |  |  |  |  |  |   |  |  |  |  |  |  |  |  |  |
| A                | RW  | STOPPED   |          |       | Write '1' to Disable interrupt for STOPPED event   |  |  |     |  |  |  |  |  |  |   |  |  |  |  |  |  |   |  |  |  |  |  |  |  |  |  |
|                  |   |           |          |       | See <a href="#">EVENTS_STOPPED</a>                 |  |  |     |  |  |  |  |  |  |   |  |  |  |  |  |  |   |  |  |  |  |  |  |  |  |  |
|                  |   |           | Clear    | 1     | Disable  |  |  |     |  |  |  |  |  |  |   |  |  |  |  |  |  |   |  |  |  |  |  |  |  |  |  |
|                  |   |           | Disabled | 0     | Read: Disabled                                     |  |  |     |  |  |  |  |  |  |   |  |  |  |  |  |  |   |  |  |  |  |  |  |  |  |  |
|                  |   |           | Enabled  | 1     | Read: Enabled                                      |  |  |     |  |  |  |  |  |  |   |  |  |  |  |  |  |   |  |  |  |  |  |  |  |  |  |
| B                | RW  | ERROR     |          |       | Write '1' to Disable interrupt for ERROR event     |  |  |     |  |  |  |  |  |  |   |  |  |  |  |  |  |   |  |  |  |  |  |  |  |  |  |
|                  |   |           |          |       | See <a href="#">EVENTS_ERROR</a>                   |  |  |     |  |  |  |  |  |  |   |  |  |  |  |  |  |   |  |  |  |  |  |  |  |  |  |
|                  |   |           | Clear    | 1     | Disable  |  |  |     |  |  |  |  |  |  |   |  |  |  |  |  |  |   |  |  |  |  |  |  |  |  |  |
|                  |   |           | Disabled | 0     | Read: Disabled                                     |  |  |     |  |  |  |  |  |  |   |  |  |  |  |  |  |   |  |  |  |  |  |  |  |  |  |
|                  |   |           | Enabled  | 1     | Read: Enabled                                      |  |  |     |  |  |  |  |  |  |   |  |  |  |  |  |  |   |  |  |  |  |  |  |  |  |  |
| E                | RW  | RXSTARTED |          |       | Write '1' to Disable interrupt for RXSTARTED event |  |  |     |  |  |  |  |  |  |   |  |  |  |  |  |  |   |  |  |  |  |  |  |  |  |  |
|                  |   |           |          |       | See <a href="#">EVENTS_RXSTARTED</a>               |  |  |     |  |  |  |  |  |  |   |  |  |  |  |  |  |   |  |  |  |  |  |  |  |  |  |
|                  |   |           | Clear    | 1     | Disable  |  |  |     |  |  |  |  |  |  |   |  |  |  |  |  |  |   |  |  |  |  |  |  |  |  |  |
|                  |   |           | Disabled | 0     | Read: Disabled                                     |  |  |     |  |  |  |  |  |  |   |  |  |  |  |  |  |   |  |  |  |  |  |  |  |  |  |
|                  |   |           | Enabled  | 1     | Read: Enabled                                      |  |  |     |  |  |  |  |  |  |   |  |  |  |  |  |  |   |  |  |  |  |  |  |  |  |  |
| F                | RW  | TXSTARTED |          |       | Write '1' to Disable interrupt for TXSTARTED event |  |  |     |  |  |  |  |  |  |   |  |  |  |  |  |  |   |  |  |  |  |  |  |  |  |  |
|                  |   |           |          |       | See <a href="#">EVENTS_TXSTARTED</a>               |  |  |     |  |  |  |  |  |  |   |  |  |  |  |  |  |   |  |  |  |  |  |  |  |  |  |
|                  |   |           | Clear    | 1     | Disable  |  |  |     |  |  |  |  |  |  |   |  |  |  |  |  |  |   |  |  |  |  |  |  |  |  |  |

| Bit number       | 31 30 29 28 27 26 25 24 23 22 21 20 19 18 17 16 15 14 13 12 11 10 9 8 7 6 5 4 3 2 1 0 |       |          |    |       |  |  |  |  |  |     |  |  |  |  |  |  |  |  |  |  |  |     |  |  |  |  |  |  |  |  |  |  |  |   |  |   |  |
|------------------|---|-------|----------|----|-------|--|--|--|--|--|-----|--|--|--|--|--|--|--|--|--|--|--|-----|--|--|--|--|--|--|--|--|--|--|--|---|--|---|--|
| Id               |   |       |          |    |       |  |  |  |  |  | H G |  |  |  |  |  |  |  |  |  |  |  | F E |  |  |  |  |  |  |  |  |  |  |  | B |  | A |  |
| Reset 0x00000000 | 0   |       |          |    |       |  |  |  |  |  |     |  |  |  |  |  |  |  |  |  |  |  |     |  |  |  |  |  |  |  |  |  |  |  |   |  |   |  |
| Id               | RW  | Field | Value    | Id | Value | Description                                    |  |  |  |  |     |  |  |  |  |  |  |  |  |  |  |  |     |  |  |  |  |  |  |  |  |  |  |  |   |  |   |  |
|                  |   |       | Disabled |    | 0     | Read: Disabled                                 |  |  |  |  |     |  |  |  |  |  |  |  |  |  |  |  |     |  |  |  |  |  |  |  |  |  |  |  |   |  |   |  |
|                  |   |       | Enabled  |    | 1     | Read: Enabled                                  |  |  |  |  |     |  |  |  |  |  |  |  |  |  |  |  |     |  |  |  |  |  |  |  |  |  |  |  |   |  |   |  |
| G                | RW  | WRITE |          |    |       | Write '1' to Disable interrupt for WRITE event |  |  |  |  |     |  |  |  |  |  |  |  |  |  |  |  |     |  |  |  |  |  |  |  |  |  |  |  |   |  |   |  |
|                  |   |       |          |    |       | See <a href="#">EVENTS_WRITE</a>               |  |  |  |  |     |  |  |  |  |  |  |  |  |  |  |  |     |  |  |  |  |  |  |  |  |  |  |  |   |  |   |  |
|                  |   |       | Clear    |    | 1     | Disable  |  |  |  |  |     |  |  |  |  |  |  |  |  |  |  |  |     |  |  |  |  |  |  |  |  |  |  |  |   |  |   |  |
|                  |   |       | Disabled |    | 0     | Read: Disabled                                 |  |  |  |  |     |  |  |  |  |  |  |  |  |  |  |  |     |  |  |  |  |  |  |  |  |  |  |  |   |  |   |  |
|                  |   |       | Enabled  |    | 1     | Read: Enabled                                  |  |  |  |  |     |  |  |  |  |  |  |  |  |  |  |  |     |  |  |  |  |  |  |  |  |  |  |  |   |  |   |  |
| H                | RW  | READ  |          |    |       | Write '1' to Disable interrupt for READ event  |  |  |  |  |     |  |  |  |  |  |  |  |  |  |  |  |     |  |  |  |  |  |  |  |  |  |  |  |   |  |   |  |
|                  |   |       |          |    |       | See <a href="#">EVENTS_READ</a>                |  |  |  |  |     |  |  |  |  |  |  |  |  |  |  |  |     |  |  |  |  |  |  |  |  |  |  |  |   |  |   |  |
|                  |   |       | Clear    |    | 1     | Disable  |  |  |  |  |     |  |  |  |  |  |  |  |  |  |  |  |     |  |  |  |  |  |  |  |  |  |  |  |   |  |   |  |
|                  |   |       | Disabled |    | 0     | Read: Disabled                                 |  |  |  |  |     |  |  |  |  |  |  |  |  |  |  |  |     |  |  |  |  |  |  |  |  |  |  |  |   |  |   |  |
|                  |   |       | Enabled  |    | 1     | Read: Enabled                                  |  |  |  |  |     |  |  |  |  |  |  |  |  |  |  |  |     |  |  |  |  |  |  |  |  |  |  |  |   |  |   |  |

### 34.9.5 ERRORSRC

Address offset: 0x4D0

Error source

| Bit number       | 31 30 29 28 27 26 25 24 23 22 21 20 19 18 17 16 15 14 13 12 11 10 9 8 7 6 5 4 3 2 1 0 |          |             |    |       |   |  |  |  |  |  |  |  |  |  |  |  |  |  |  |  |  |  |  |  |  |  |     |  |   |  |
|------------------|---|----------|-------------|----|-------|---|--|--|--|--|--|--|--|--|--|--|--|--|--|--|--|--|--|--|--|--|--|-----|--|---|--|
| Id               |   |          |             |    |       |   |  |  |  |  |  |  |  |  |  |  |  |  |  |  |  |  |  |  |  |  |  | C B |  | A |  |
| Reset 0x00000000 | 0           |          |             |    |       |   |  |  |  |  |  |  |  |  |  |  |  |  |  |  |  |  |  |  |  |  |  |     |  |   |  |
| Id               | RW  | Field    | Value       | Id | Value | Description                                 |  |  |  |  |  |  |  |  |  |  |  |  |  |  |  |  |  |  |  |  |  |     |  |   |  |
| A                | RW  | OVERFLOW |             |    |       | RX buffer overflow detected, and prevented  |  |  |  |  |  |  |  |  |  |  |  |  |  |  |  |  |  |  |  |  |  |     |  |   |  |
|                  |   |          | NotDetected |    | 0     | Error did not occur                         |  |  |  |  |  |  |  |  |  |  |  |  |  |  |  |  |  |  |  |  |  |     |  |   |  |
|                  |   |          | Detected    |    | 1     | Error occurred                              |  |  |  |  |  |  |  |  |  |  |  |  |  |  |  |  |  |  |  |  |  |     |  |   |  |
| B                | RW  | DNACK    |             |    |       | NACK sent after receiving a data byte       |  |  |  |  |  |  |  |  |  |  |  |  |  |  |  |  |  |  |  |  |  |     |  |   |  |
|                  |   |          | NotReceived |    | 0     | Error did not occur                         |  |  |  |  |  |  |  |  |  |  |  |  |  |  |  |  |  |  |  |  |  |     |  |   |  |
|                  |   |          | Received    |    | 1     | Error occurred                              |  |  |  |  |  |  |  |  |  |  |  |  |  |  |  |  |  |  |  |  |  |     |  |   |  |
| C                | RW  | OVERREAD |             |    |       | TX buffer over-read detected, and prevented |  |  |  |  |  |  |  |  |  |  |  |  |  |  |  |  |  |  |  |  |  |     |  |   |  |
|                  |   |          | NotDetected |    | 0     | Error did not occur                         |  |  |  |  |  |  |  |  |  |  |  |  |  |  |  |  |  |  |  |  |  |     |  |   |  |
|                  |   |          | Detected    |    | 1     | Error occurred                              |  |  |  |  |  |  |  |  |  |  |  |  |  |  |  |  |  |  |  |  |  |     |  |   |  |

### 34.9.6 MATCH

Address offset: 0x4D4

Status register indicating which address had a match

| Bit number       | 31 30 29 28 27 26 25 24 23 22 21 20 19 18 17 16 15 14 13 12 11 10 9 8 7 6 5 4 3 2 1 0 |       |       |    |        |  |  |  |  |  |  |  |  |  |  |  |  |  |  |  |  |  |  |  |  |  |  |       |  |  |  |
|------------------|---|-------|-------|----|--------|--|--|--|--|--|--|--|--|--|--|--|--|--|--|--|--|--|--|--|--|--|--|-------|--|--|--|
| Id               |   |       |       |    |        |  |  |  |  |  |  |  |  |  |  |  |  |  |  |  |  |  |  |  |  |  |  | A A A |  |  |  |
| Reset 0x00000000 | 0           |       |       |    |        |  |  |  |  |  |  |  |  |  |  |  |  |  |  |  |  |  |  |  |  |  |  |       |  |  |  |
| Id               | RW  | Field | Value | Id | Value  | Description  |  |  |  |  |  |  |  |  |  |  |  |  |  |  |  |  |  |  |  |  |  |       |  |  |  |
| A                | R   | MATCH |       |    | [0..1] | Which of the addresses in {ADDRESS} matched the incoming address |  |  |  |  |  |  |  |  |  |  |  |  |  |  |  |  |  |  |  |  |  |       |  |  |  |

### 34.9.7 ENABLE

Address offset: 0x500

Enable TWIS

| Bit number       | 31 30 29 28 27 26 25 24 23 22 21 20 19 18 17 16 15 14 13 12 11 10 9 8 7 6 5 4 3 2 1 0 |        |          |    |       |                        |  |  |  |  |  |  |  |  |  |  |  |  |  |  |  |  |  |  |  |  |  |       |  |  |  |
|------------------|---|--------|----------|----|-------|------------------------|--|--|--|--|--|--|--|--|--|--|--|--|--|--|--|--|--|--|--|--|--|-------|--|--|--|
| Id               |   |        |          |    |       |                        |  |  |  |  |  |  |  |  |  |  |  |  |  |  |  |  |  |  |  |  |  | A A A |  |  |  |
| Reset 0x00000000 | 0           |        |          |    |       |                        |  |  |  |  |  |  |  |  |  |  |  |  |  |  |  |  |  |  |  |  |  |       |  |  |  |
| Id               | RW  | Field  | Value    | Id | Value | Description            |  |  |  |  |  |  |  |  |  |  |  |  |  |  |  |  |  |  |  |  |  |       |  |  |  |
| A                | RW  | ENABLE |          |    |       | Enable or disable TWIS |  |  |  |  |  |  |  |  |  |  |  |  |  |  |  |  |  |  |  |  |  |       |  |  |  |
|                  |   |        | Disabled |    | 0     | Disable TWIS           |  |  |  |  |  |  |  |  |  |  |  |  |  |  |  |  |  |  |  |  |  |       |  |  |  |



| Bit number       | 31 | 30    | 29       | 28    | 27          | 26 | 25 | 24 | 23 | 22 | 21 | 20 | 19 | 18 | 17 | 16 | 15 | 14 | 13 | 12 | 11 | 10 | 9 | 8 | 7 | 6 | 5 | 4 | 3 | 2 | 1 | 0 |
|------------------|----|-------|----------|-------|-------------|----|----|----|----|----|----|----|----|----|----|----|----|----|----|----|----|----|---|---|---|---|---|---|---|---|---|---|
| Id               |    |       |          |       |             |    |    |    |    |    |    |    |    |    |    |    |    |    |    |    |    |    |   |   |   |   |   | A | A | A | A |   |
| Reset 0x00000000 | 0  | 0     | 0        | 0     | 0           | 0  | 0  | 0  | 0  | 0  | 0  | 0  | 0  | 0  | 0  | 0  | 0  | 0  | 0  | 0  | 0  | 0  | 0 | 0 | 0 | 0 | 0 | 0 | 0 | 0 | 0 | 0 |
| Id               | RW | Field | Value Id | Value | Description |    |    |    |    |    |    |    |    |    |    |    |    |    |    |    |    |    |   |   |   |   |   |   |   |   |   |   |
|                  |    |       | Enabled  | 9     | Enable TWIS |    |    |    |    |    |    |    |    |    |    |    |    |    |    |    |    |    |   |   |   |   |   |   |   |   |   |   |

### 34.9.8 PSEL.SCL

Address offset: 0x508

Pin select for SCL signal

| Bit number       | 31 | 30      | 29           | 28      | 27          | 26 | 25 | 24 | 23 | 22 | 21 | 20 | 19 | 18 | 17 | 16 | 15 | 14 | 13 | 12 | 11 | 10 | 9 | 8 | 7 | 6 | 5 | 4 | 3 | 2 | 1 | 0 |   |
|------------------|----|---------|--------------|---------|-------------|----|----|----|----|----|----|----|----|----|----|----|----|----|----|----|----|----|---|---|---|---|---|---|---|---|---|---|---|
| Id               |    |         |              |         |             |    |    |    |    |    |    |    |    |    |    |    |    |    |    |    |    |    |   |   |   |   |   | B | A | A | A | A | A |
| Reset 0xFFFFFFFF | 1  | 1       | 1            | 1       | 1           | 1  | 1  | 1  | 1  | 1  | 1  | 1  | 1  | 1  | 1  | 1  | 1  | 1  | 1  | 1  | 1  | 1  | 1 | 1 | 1 | 1 | 1 | 1 | 1 | 1 | 1 | 1 |   |
| Id               | RW | Field   | Value Id     | Value   | Description |    |    |    |    |    |    |    |    |    |    |    |    |    |    |    |    |    |   |   |   |   |   |   |   |   |   |   |   |
| A                | RW | PIN     |              | [0..31] | Pin number  |    |    |    |    |    |    |    |    |    |    |    |    |    |    |    |    |    |   |   |   |   |   |   |   |   |   |   |   |
| B                | RW | CONNECT | Disconnected | 1       | Disconnect  |    |    |    |    |    |    |    |    |    |    |    |    |    |    |    |    |    |   |   |   |   |   |   |   |   |   |   |   |
|                  |    |         | Connected    | 0       | Connect     |    |    |    |    |    |    |    |    |    |    |    |    |    |    |    |    |    |   |   |   |   |   |   |   |   |   |   |   |

### 34.9.9 PSEL.SDA

Address offset: 0x50C

Pin select for SDA signal

| Bit number       | 31 | 30      | 29           | 28      | 27          | 26 | 25 | 24 | 23 | 22 | 21 | 20 | 19 | 18 | 17 | 16 | 15 | 14 | 13 | 12 | 11 | 10 | 9 | 8 | 7 | 6 | 5 | 4 | 3 | 2 | 1 | 0 |   |
|------------------|----|---------|--------------|---------|-------------|----|----|----|----|----|----|----|----|----|----|----|----|----|----|----|----|----|---|---|---|---|---|---|---|---|---|---|---|
| Id               |    |         |              |         |             |    |    |    |    |    |    |    |    |    |    |    |    |    |    |    |    |    |   |   |   |   |   | B | A | A | A | A | A |
| Reset 0xFFFFFFFF | 1  | 1       | 1            | 1       | 1           | 1  | 1  | 1  | 1  | 1  | 1  | 1  | 1  | 1  | 1  | 1  | 1  | 1  | 1  | 1  | 1  | 1  | 1 | 1 | 1 | 1 | 1 | 1 | 1 | 1 | 1 | 1 |   |
| Id               | RW | Field   | Value Id     | Value   | Description |    |    |    |    |    |    |    |    |    |    |    |    |    |    |    |    |    |   |   |   |   |   |   |   |   |   |   |   |
| A                | RW | PIN     |              | [0..31] | Pin number  |    |    |    |    |    |    |    |    |    |    |    |    |    |    |    |    |    |   |   |   |   |   |   |   |   |   |   |   |
| B                | RW | CONNECT | Disconnected | 1       | Disconnect  |    |    |    |    |    |    |    |    |    |    |    |    |    |    |    |    |    |   |   |   |   |   |   |   |   |   |   |   |
|                  |    |         | Connected    | 0       | Connect     |    |    |    |    |    |    |    |    |    |    |    |    |    |    |    |    |    |   |   |   |   |   |   |   |   |   |   |   |

### 34.9.10 RXD.PTR

Address offset: 0x534

RXD Data pointer

| Bit number       | 31 | 30    | 29       | 28    | 27               | 26 | 25 | 24 | 23 | 22 | 21 | 20 | 19 | 18 | 17 | 16 | 15 | 14 | 13 | 12 | 11 | 10 | 9 | 8 | 7 | 6 | 5 | 4 | 3 | 2 | 1 | 0 |
|------------------|----|-------|----------|-------|------------------|----|----|----|----|----|----|----|----|----|----|----|----|----|----|----|----|----|---|---|---|---|---|---|---|---|---|---|
| Id               | A  | A     | A        | A     | A                | A  | A  | A  | A  | A  | A  | A  | A  | A  | A  | A  | A  | A  | A  | A  | A  | A  | A | A | A | A | A | A | A | A | A | A |
| Reset 0x00000000 | 0  | 0     | 0        | 0     | 0                | 0  | 0  | 0  | 0  | 0  | 0  | 0  | 0  | 0  | 0  | 0  | 0  | 0  | 0  | 0  | 0  | 0  | 0 | 0 | 0 | 0 | 0 | 0 | 0 | 0 | 0 | 0 |
| Id               | RW | Field | Value Id | Value | Description      |    |    |    |    |    |    |    |    |    |    |    |    |    |    |    |    |    |   |   |   |   |   |   |   |   |   |   |
| A                | RW | PTR   |          |       | RXD Data pointer |    |    |    |    |    |    |    |    |    |    |    |    |    |    |    |    |    |   |   |   |   |   |   |   |   |   |   |

### 34.9.11 RXD.MAXCNT

Address offset: 0x538

Maximum number of bytes in RXD buffer

| Bit number       | 31 | 30     | 29       | 28    | 27                                    | 26 | 25 | 24 | 23 | 22 | 21 | 20 | 19 | 18 | 17 | 16 | 15 | 14 | 13 | 12 | 11 | 10 | 9 | 8 | 7 | 6 | 5 | 4 | 3 | 2 | 1 | 0 |   |
|------------------|----|--------|----------|-------|---------------------------------------|----|----|----|----|----|----|----|----|----|----|----|----|----|----|----|----|----|---|---|---|---|---|---|---|---|---|---|---|
| Id               |    |        |          |       |                                       |    |    |    |    |    |    |    |    |    |    |    |    |    |    |    |    |    |   |   |   |   |   | A | A | A | A | A | A |
| Reset 0x00000000 | 0  | 0      | 0        | 0     | 0                                     | 0  | 0  | 0  | 0  | 0  | 0  | 0  | 0  | 0  | 0  | 0  | 0  | 0  | 0  | 0  | 0  | 0  | 0 | 0 | 0 | 0 | 0 | 0 | 0 | 0 | 0 | 0 |   |
| Id               | RW | Field  | Value Id | Value | Description                           |    |    |    |    |    |    |    |    |    |    |    |    |    |    |    |    |    |   |   |   |   |   |   |   |   |   |   |   |
| A                | RW | MAXCNT |          |       | Maximum number of bytes in RXD buffer |    |    |    |    |    |    |    |    |    |    |    |    |    |    |    |    |    |   |   |   |   |   |   |   |   |   |   |   |

### 34.9.12 RXD.AMOUNT

Address offset: 0x53C

Number of bytes transferred in the last RXD transaction

|                  |           |              |    |    |                 |    |    |              |    |    |    |    |    |    |    |    |    |    |    |    |    |    |   |   |   |   |   |   |   |   |   |   |   |   |   |   |   |   |   |   |   |   |   |   |   |   |   |   |   |   |   |   |   |   |   |
|------------------|-----------|--------------|----|----|-----------------|----|----|--------------|----|----|----|----|----|----|----|----|----|----|----|----|----|----|---|---|---|---|---|---|---|---|---|---|---|---|---|---|---|---|---|---|---|---|---|---|---|---|---|---|---|---|---|---|---|---|---|
| Bit number       | 31        | 30           | 29 | 28 | 27              | 26 | 25 | 24           | 23 | 22 | 21 | 20 | 19 | 18 | 17 | 16 | 15 | 14 | 13 | 12 | 11 | 10 | 9 | 8 | 7 | 6 | 5   | 4 | 3 | 2 | 1 | 0 |   |   |   |   |   |   |   |   |   |   |   |   |   |   |   |   |   |   |   |   |   |   |   |
| Id               |           |              |    |    |                 |    |    |              |    |    |    |    |    |    |    |    |    |    |    |    |    |    |   |   | A | A | A   | A | A | A | A | A | A | A | A | A | A | A | A | A | A | A | A | A | A | A | A | A | A | A | A | A | A | A | A |
| Reset 0x00000000 | 0         | 0            | 0  | 0  | 0               | 0  | 0  | 0            | 0  | 0  | 0  | 0  | 0  | 0  | 0  | 0  | 0  | 0  | 0  | 0  | 0  | 0  | 0 | 0 | 0 | 0 | 0   | 0 | 0 | 0 | 0 | 0 | 0 | 0 |   |   |   |   |   |   |   |   |   |   |   |   |   |   |   |   |   |   |   |   |   |
| <b>Id</b>        | <b>RW</b> | <b>Field</b> |    |    | <b>Value Id</b> |    |    | <b>Value</b> |    |    |    |    |    |    |    |    |    |    |    |    |    |    |   |   |   |   | <b>Description</b>                                      |   |   |   |   |   |   |   |   |   |   |   |   |   |   |   |   |   |   |   |   |   |   |   |   |   |   |   |   |
| A                | R         | AMOUNT       |    |    |                 |    |    |              |    |    |    |    |    |    |    |    |    |    |    |    |    |    |   |   |   |   | Number of bytes transferred in the last RXD transaction |   |   |   |   |   |   |   |   |   |   |   |   |   |   |   |   |   |   |   |   |   |   |   |   |   |   |   |   |

### 34.9.13 TXD.PTR

Address offset: 0x544

TXD Data pointer

|                  |           |              |    |    |                 |    |    |              |    |    |    |    |    |    |    |    |    |    |    |    |    |    |   |   |   |   |                    |   |   |   |   |   |   |
|------------------|-----------|--------------|----|----|-----------------|----|----|--------------|----|----|----|----|----|----|----|----|----|----|----|----|----|----|---|---|---|---|--------------------|---|---|---|---|---|---|
| Bit number       | 31        | 30           | 29 | 28 | 27              | 26 | 25 | 24           | 23 | 22 | 21 | 20 | 19 | 18 | 17 | 16 | 15 | 14 | 13 | 12 | 11 | 10 | 9 | 8 | 7 | 6 | 5                  | 4 | 3 | 2 | 1 | 0 |   |
| Id               | A         | A            | A  | A  | A               | A  | A  | A            | A  | A  | A  | A  | A  | A  | A  | A  | A  | A  | A  | A  | A  | A  | A | A | A | A | A                  | A | A | A | A | A | A |
| Reset 0x00000000 | 0         | 0            | 0  | 0  | 0               | 0  | 0  | 0            | 0  | 0  | 0  | 0  | 0  | 0  | 0  | 0  | 0  | 0  | 0  | 0  | 0  | 0  | 0 | 0 | 0 | 0 | 0                  | 0 | 0 | 0 | 0 | 0 | 0 |
| <b>Id</b>        | <b>RW</b> | <b>Field</b> |    |    | <b>Value Id</b> |    |    | <b>Value</b> |    |    |    |    |    |    |    |    |    |    |    |    |    |    |   |   |   |   | <b>Description</b> |   |   |   |   |   |   |
| A                | RW        | PTR          |    |    |                 |    |    |              |    |    |    |    |    |    |    |    |    |    |    |    |    |    |   |   |   |   | TXD Data pointer   |   |   |   |   |   |   |

### 34.9.14 TXD.MAXCNT

Address offset: 0x548

Maximum number of bytes in TXD buffer

|                  |           |              |    |    |                 |    |    |              |    |    |    |    |    |    |    |    |    |    |    |    |    |    |   |   |   |   |                                       |   |   |   |   |   |   |   |   |   |   |   |   |   |   |   |   |   |   |   |   |   |   |   |   |   |   |   |
|------------------|-----------|--------------|----|----|-----------------|----|----|--------------|----|----|----|----|----|----|----|----|----|----|----|----|----|----|---|---|---|---|---------------------------------------|---|---|---|---|---|---|---|---|---|---|---|---|---|---|---|---|---|---|---|---|---|---|---|---|---|---|---|
| Bit number       | 31        | 30           | 29 | 28 | 27              | 26 | 25 | 24           | 23 | 22 | 21 | 20 | 19 | 18 | 17 | 16 | 15 | 14 | 13 | 12 | 11 | 10 | 9 | 8 | 7 | 6 | 5                                     | 4 | 3 | 2 | 1 | 0 |   |   |   |   |   |   |   |   |   |   |   |   |   |   |   |   |   |   |   |   |   |   |
| Id               |           |              |    |    |                 |    |    |              |    |    |    |    |    |    |    |    |    |    |    |    |    |    |   |   | A | A | A                                     | A | A | A | A | A | A | A | A | A | A | A | A | A | A | A | A | A | A | A | A | A | A | A | A | A | A | A |
| Reset 0x00000000 | 0         | 0            | 0  | 0  | 0               | 0  | 0  | 0            | 0  | 0  | 0  | 0  | 0  | 0  | 0  | 0  | 0  | 0  | 0  | 0  | 0  | 0  | 0 | 0 | 0 | 0 | 0                                     | 0 | 0 | 0 | 0 | 0 | 0 |   |   |   |   |   |   |   |   |   |   |   |   |   |   |   |   |   |   |   |   |   |
| <b>Id</b>        | <b>RW</b> | <b>Field</b> |    |    | <b>Value Id</b> |    |    | <b>Value</b> |    |    |    |    |    |    |    |    |    |    |    |    |    |    |   |   |   |   | <b>Description</b>                    |   |   |   |   |   |   |   |   |   |   |   |   |   |   |   |   |   |   |   |   |   |   |   |   |   |   |   |
| A                | RW        | MAXCNT       |    |    |                 |    |    |              |    |    |    |    |    |    |    |    |    |    |    |    |    |    |   |   |   |   | Maximum number of bytes in TXD buffer |   |   |   |   |   |   |   |   |   |   |   |   |   |   |   |   |   |   |   |   |   |   |   |   |   |   |   |

### 34.9.15 TXD.AMOUNT

Address offset: 0x54C

Number of bytes transferred in the last TXD transaction

|                  |           |              |    |    |                 |    |    |              |    |    |    |    |    |    |    |    |    |    |    |    |    |    |   |   |   |   |   |   |   |   |   |   |   |   |   |   |   |   |   |   |   |   |   |   |   |   |   |   |   |   |   |   |   |   |
|------------------|-----------|--------------|----|----|-----------------|----|----|--------------|----|----|----|----|----|----|----|----|----|----|----|----|----|----|---|---|---|---|---|---|---|---|---|---|---|---|---|---|---|---|---|---|---|---|---|---|---|---|---|---|---|---|---|---|---|---|
| Bit number       | 31        | 30           | 29 | 28 | 27              | 26 | 25 | 24           | 23 | 22 | 21 | 20 | 19 | 18 | 17 | 16 | 15 | 14 | 13 | 12 | 11 | 10 | 9 | 8 | 7 | 6 | 5   | 4 | 3 | 2 | 1 | 0 |   |   |   |   |   |   |   |   |   |   |   |   |   |   |   |   |   |   |   |   |   |   |
| Id               |           |              |    |    |                 |    |    |              |    |    |    |    |    |    |    |    |    |    |    |    |    |    |   |   | A | A | A   | A | A | A | A | A | A | A | A | A | A | A | A | A | A | A | A | A | A | A | A | A | A | A | A | A | A | A |
| Reset 0x00000000 | 0         | 0            | 0  | 0  | 0               | 0  | 0  | 0            | 0  | 0  | 0  | 0  | 0  | 0  | 0  | 0  | 0  | 0  | 0  | 0  | 0  | 0  | 0 | 0 | 0 | 0 | 0   | 0 | 0 | 0 | 0 | 0 | 0 |   |   |   |   |   |   |   |   |   |   |   |   |   |   |   |   |   |   |   |   |   |
| <b>Id</b>        | <b>RW</b> | <b>Field</b> |    |    | <b>Value Id</b> |    |    | <b>Value</b> |    |    |    |    |    |    |    |    |    |    |    |    |    |    |   |   |   |   | <b>Description</b>                                      |   |   |   |   |   |   |   |   |   |   |   |   |   |   |   |   |   |   |   |   |   |   |   |   |   |   |   |
| A                | R         | AMOUNT       |    |    |                 |    |    |              |    |    |    |    |    |    |    |    |    |    |    |    |    |    |   |   |   |   | Number of bytes transferred in the last TXD transaction |   |   |   |   |   |   |   |   |   |   |   |   |   |   |   |   |   |   |   |   |   |   |   |   |   |   |   |

### 34.9.16 ADDRESS[0]

Address offset: 0x588

TWI slave address 0

|                  |           |              |    |    |                 |    |    |              |    |    |    |    |    |    |    |    |    |    |    |    |    |    |   |   |   |   |                    |   |   |   |   |   |   |   |   |   |   |   |   |   |   |   |   |   |   |   |   |   |   |   |   |   |   |   |
|------------------|-----------|--------------|----|----|-----------------|----|----|--------------|----|----|----|----|----|----|----|----|----|----|----|----|----|----|---|---|---|---|--------------------|---|---|---|---|---|---|---|---|---|---|---|---|---|---|---|---|---|---|---|---|---|---|---|---|---|---|---|
| Bit number       | 31        | 30           | 29 | 28 | 27              | 26 | 25 | 24           | 23 | 22 | 21 | 20 | 19 | 18 | 17 | 16 | 15 | 14 | 13 | 12 | 11 | 10 | 9 | 8 | 7 | 6 | 5                  | 4 | 3 | 2 | 1 | 0 |   |   |   |   |   |   |   |   |   |   |   |   |   |   |   |   |   |   |   |   |   |   |
| Id               |           |              |    |    |                 |    |    |              |    |    |    |    |    |    |    |    |    |    |    |    |    |    |   |   | A | A | A                  | A | A | A | A | A | A | A | A | A | A | A | A | A | A | A | A | A | A | A | A | A | A | A | A | A | A | A |
| Reset 0x00000000 | 0         | 0            | 0  | 0  | 0               | 0  | 0  | 0            | 0  | 0  | 0  | 0  | 0  | 0  | 0  | 0  | 0  | 0  | 0  | 0  | 0  | 0  | 0 | 0 | 0 | 0 | 0                  | 0 | 0 | 0 | 0 | 0 | 0 |   |   |   |   |   |   |   |   |   |   |   |   |   |   |   |   |   |   |   |   |   |
| <b>Id</b>        | <b>RW</b> | <b>Field</b> |    |    | <b>Value Id</b> |    |    | <b>Value</b> |    |    |    |    |    |    |    |    |    |    |    |    |    |    |   |   |   |   | <b>Description</b> |   |   |   |   |   |   |   |   |   |   |   |   |   |   |   |   |   |   |   |   |   |   |   |   |   |   |   |
| A                | RW        | ADDRESS      |    |    |                 |    |    |              |    |    |    |    |    |    |    |    |    |    |    |    |    |    |   |   |   |   | TWI slave address  |   |   |   |   |   |   |   |   |   |   |   |   |   |   |   |   |   |   |   |   |   |   |   |   |   |   |   |

### 34.9.17 ADDRESS[1]

Address offset: 0x58C

TWI slave address 1

|                  |           |              |    |    |                 |    |    |              |    |    |    |    |    |    |    |    |    |    |    |    |    |    |   |   |   |   |                    |   |   |   |   |   |   |   |   |   |   |   |   |   |   |   |   |   |   |   |   |   |   |   |   |   |   |   |
|------------------|-----------|--------------|----|----|-----------------|----|----|--------------|----|----|----|----|----|----|----|----|----|----|----|----|----|----|---|---|---|---|--------------------|---|---|---|---|---|---|---|---|---|---|---|---|---|---|---|---|---|---|---|---|---|---|---|---|---|---|---|
| Bit number       | 31        | 30           | 29 | 28 | 27              | 26 | 25 | 24           | 23 | 22 | 21 | 20 | 19 | 18 | 17 | 16 | 15 | 14 | 13 | 12 | 11 | 10 | 9 | 8 | 7 | 6 | 5                  | 4 | 3 | 2 | 1 | 0 |   |   |   |   |   |   |   |   |   |   |   |   |   |   |   |   |   |   |   |   |   |   |
| Id               |           |              |    |    |                 |    |    |              |    |    |    |    |    |    |    |    |    |    |    |    |    |    |   |   | A | A | A                  | A | A | A | A | A | A | A | A | A | A | A | A | A | A | A | A | A | A | A | A | A | A | A | A | A | A | A |
| Reset 0x00000000 | 0         | 0            | 0  | 0  | 0               | 0  | 0  | 0            | 0  | 0  | 0  | 0  | 0  | 0  | 0  | 0  | 0  | 0  | 0  | 0  | 0  | 0  | 0 | 0 | 0 | 0 | 0                  | 0 | 0 | 0 | 0 | 0 | 0 |   |   |   |   |   |   |   |   |   |   |   |   |   |   |   |   |   |   |   |   |   |
| <b>Id</b>        | <b>RW</b> | <b>Field</b> |    |    | <b>Value Id</b> |    |    | <b>Value</b> |    |    |    |    |    |    |    |    |    |    |    |    |    |    |   |   |   |   | <b>Description</b> |   |   |   |   |   |   |   |   |   |   |   |   |   |   |   |   |   |   |   |   |   |   |   |   |   |   |   |
| A                | RW        | ADDRESS      |    |    |                 |    |    |              |    |    |    |    |    |    |    |    |    |    |    |    |    |    |   |   |   |   | TWI slave address  |   |   |   |   |   |   |   |   |   |   |   |   |   |   |   |   |   |   |   |   |   |   |   |   |   |   |   |



| Symbol                     | Description   | Min. | Typ. | Max. | Units |
|----------------------------|---|------|------|------|-------|
| $t_{TWIS,SU\_STO,100kbps}$ | TWI slave setup time from SCL high to STOP condition, 100 kbps      | 5200 |      |      | ns    |
| $t_{TWIS,SU\_STO,400kbps}$ | TWI slave setup time from SCL high to STOP condition, 400 kbps      | 1300 |      |      | ns    |
| $t_{TWIS,BUF,100kbps}$     | TWI slave bus free time between STOP and START conditions, 100 kbps |      | 4700 |      | ns    |
| $t_{TWIS,BUF,400kbps}$     | TWI slave bus free time between STOP and START conditions, 400 kbps |      | 1300 |      | ns    |



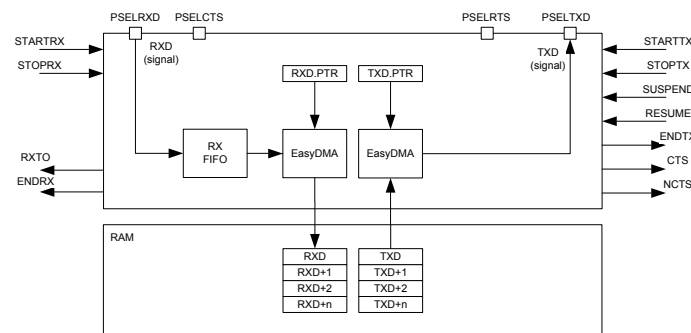
Figure 92: TWIS timing diagram, 1 byte transaction

## 35 UARTE — Universal asynchronous receiver/transmitter with EasyDMA

The Universal asynchronous receiver/transmitter with EasyDMA (UARTE) offers fast, full-duplex, asynchronous serial communication with built-in flow control (CTS, RTS) support in hardware at a rate up to 1 Mbps, and EasyDMA data transfer from/to RAM.

Listed here are the main features for UARTE:

- Full-duplex operation
- Automatic hardware flow control
- Parity checking and generation for the 9<sup>th</sup> data bit
- EasyDMA
- Up to 1 Mbps baudrate
- Return to IDLE between transactions supported (when using HW flow control)
- One stop bit
- Least significant bit (LSB) first



**Figure 93: UARTE configuration**

The GPIOs used for each UART interface can be chosen from any GPIO on the device and are independently configurable. This enables great flexibility in device pinout and efficient use of board space and signal routing.

### 35.1 Shared resources

The UARTE shares registers and other resources with other peripherals that have the same ID as the UARTE.

Therefore, you must disable all peripherals that have the same ID as the UARTE before the UARTE can be configured and used. Disabling a peripheral that has the same ID as the UARTE will not reset any of the registers that are shared with the UARTE. It is therefore important to configure all relevant UARTE registers explicitly to ensure that it operates correctly.

See the Instantiation table in [Instantiation](#) on page 24 for details on peripherals and their IDs.

### 35.2 EasyDMA

The UARTE implements EasyDMA for reading and writing to and from the RAM.

If the TXD.PTR and the RXD.PTR are not pointing to the Data RAM region, an EasyDMA transfer may result in a HardFault or RAM corruption. See [Memory](#) on page 23 for more information about the different memory regions.

The .PTR and .MAXCNT registers are double-buffered. They can be updated and prepared for the next RX/TX transmission immediately after having received the RXSTARTED/TXSTARTED event.

The ENDRX/ENDTX event indicates that EasyDMA has finished accessing respectively the RX/TX buffer in RAM.

### 35.3 Transmission

The first step of a DMA transmission is storing bytes in the transmit buffer and configuring EasyDMA. This is achieved by writing the initial address pointer to TXD.PTR, and the number of bytes in the RAM buffer to TXD.MAXCNT. The UARTE transmission is started by triggering the STARTTX task.

After each byte has been sent over the TXD line, a TXDRDY event will be generated.

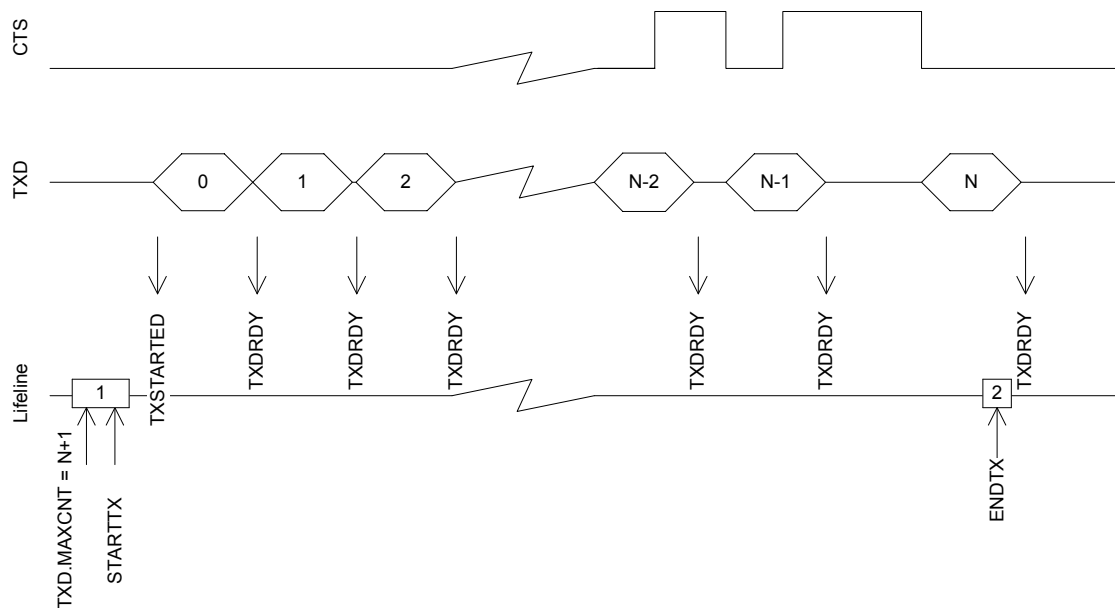
When all bytes in the TXD buffer, as specified in the TXD.MAXCNT register, have been transmitted, the UARTE transmission will end automatically and an ENDTX event will be generated.

A UARTE transmission sequence is stopped by triggering the STOPTX task, a TXSTOPPED event will be generated when the UARTE transmitter has stopped.

If the ENDTX event has not already been generated when the UARTE transmitter has come to a stop, the UARTE will generate the ENDTX event explicitly even though all bytes in the TXD buffer, as specified in the TXD.MAXCNT register, have not been transmitted.

If flow control is enabled, a transmission will be automatically suspended when CTS is deactivated and resumed when CTS is activated again, as illustrated in [Figure 94: UARTE transmission](#) on page 334.

A byte that is in transmission when CTS is deactivated will be fully transmitted before the transmission is suspended.



**Figure 94: UARTE transmission**

The UARTE transmitter will be in its lowest activity level, and consume the least amount of energy, when it is stopped, i.e. before it is started via STARTTX or after it has been stopped via STOPTX and the TXSTOPPED event has been generated. See [POWER — Power supply](#) on page 78 for more information about power modes.

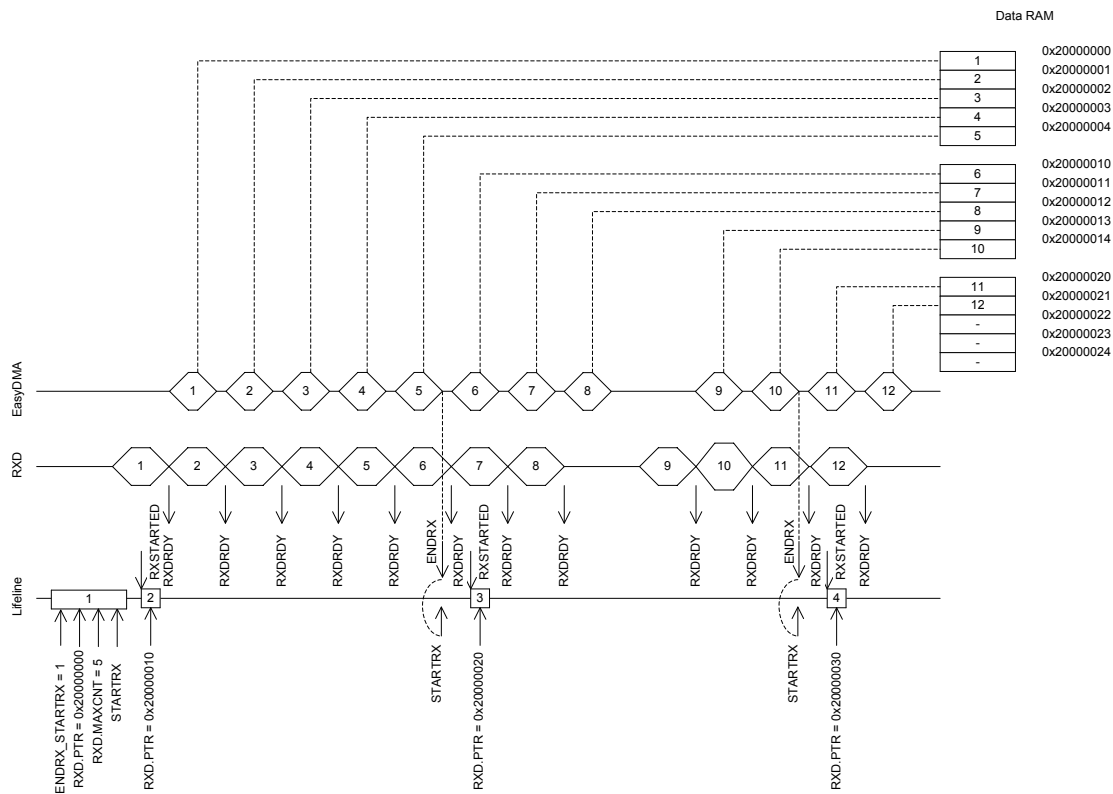
### 35.4 Reception

The UARTE receiver is started by triggering the STARTRX task. The UARTE receiver is using EasyDMA to store incoming data in an RX buffer in RAM.

The RX buffer is located at the address specified in the RXD.PTR register. The RXD.PTR register is double-buffered and it can be updated and prepared for the next STARTRX task immediately after the RXSTARTED event is generated. The size of the RX buffer is specified in the RXD.MAXCNT register and the UARTE will generate an ENDRX event when it has filled up the RX buffer, see [Figure 95: UARTE reception](#) on page 335.

For each byte received over the RXD line, an RXDRDY event will be generated. This event is likely to occur before the corresponding data has been transferred to Data RAM.

The RXD.AMOUNT register can be queried following an ENDRX event to see how many new bytes have been transferred to the RX buffer in RAM since the previous ENDRX event.



**Figure 95: UARTE reception**

The UARTE receiver is stopped by triggering the STOPRX task. An RXTO event is generated when the UARTE has stopped. The UARTE will make sure that an impending ENDRX event will be generated before the RXTO event is generated. This means that the UARTE will guarantee that no ENDRX event will be generated after RXTO, unless the UARTE is restarted or a FLUSHRX command is issued after the RXTO event is generated.

**Important:** If the ENDRX event has not already been generated when the UARTE receiver has come to a stop, which implies that all pending content in the RX FIFO has been moved to the RX buffer, the UARTE will generate the ENDRX event explicitly even though the RX buffer is not full. In this scenario the ENDRX event will be generated before the RXTO event is generated.

To be able to know how many bytes have actually been received into the RX buffer, the CPU can read the RXD.AMOUNT register following the ENDRX event or the RXTO event.

The UARTE is able to receive up to four bytes after the STOPRX task has been triggered as long as these are sent in succession immediately after the RTS signal is deactivated. This is possible because after the RTS is deactivated the UARTE is able to receive bytes for an extended period equal to the time it takes to send 4 bytes on the configured baud rate.

After the RXTO event is generated the internal RX FIFO may still contain data, and to move this data to RAM the FLUSHRX task must be triggered. To make sure that this data does not overwrite data in the RX buffer, the RX buffer should be emptied or the RXD.PTR should be updated before the FLUSHRX task is triggered.

To make sure that all data in the RX FIFO is moved to the RX buffer, the RXD.MAXCNT register must be set to  $RXD.MAXCNT > 4$ , see [Figure 96: UARTE reception with forced stop via STOPRX](#) on page 336. The UARTE will generate the ENDRX event after completing the FLUSHRX task even if the RX FIFO was empty or if the RX buffer does not get filled up. To be able to know how many bytes have actually been received into the RX buffer in this case, the CPU can read the RXD.AMOUNT register following the ENDRX event.



**Figure 96: UARTE reception with forced stop via STOPRX**

If HW flow control is enabled the RTS signal will be deactivated when the receiver is stopped via the STOPRX task or when the UARTE is only able to receive four more bytes in its internal RX FIFO.

With flow control disabled, the UARTE will function in the same way as when the flow control is enabled except that the RTS line will not be used. This means that no signal will be generated when the UARTE has reached the point where it is only able to receive four more bytes in its internal RX FIFO. Data received when the internal RX FIFO is filled up, will be lost.

The UARTE receiver will be in its lowest activity level, and consume the least amount of energy, when it is stopped, i.e. before it is started via STARTRX or after it has been stopped via STOPRX and the RXTO event has been generated. See [POWER — Power supply](#) on page 78 for more information about power modes.

### 35.5 Error conditions

An ERROR event, in the form of a framing error, will be generated if a valid stop bit is not detected in a frame. Another ERROR event, in the form of a break condition, will be generated if the RXD line is held active low for longer than the length of a data frame. Effectively, a framing error is always generated before a break condition occurs.

An ERROR event will not stop reception. If the error was a parity error, the received byte will still be transferred into Data RAM, and so will following incoming bytes. If there was a framing error (wrong stop bit), that specific byte will NOT be stored into Data RAM, but following incoming bytes will.

### 35.6 Using the UARTE without flow control

If flow control is not enabled, the interface will behave as if the CTS and RTS lines are kept active all the time.

### 35.7 Parity configuration

When parity is enabled, the parity will be generated automatically from the even parity of TXD and RXD for transmission and reception respectively.

### 35.8 Low power

When putting the system in low power and the peripheral is not needed, lowest possible power consumption is achieved by stopping, and then disabling the peripheral.



The STOPTH and STOPRX tasks may not be always needed (the peripheral might already be stopped), but if STOPTH and/or STOPRX is sent, software shall wait until the TXSTOPPED and/or RXTO event is received in response, before disabling the peripheral through the ENABLE register.

## 35.9 Pin configuration

The different signals RXD, CTS (Clear To Send, active low), RTS (Request To Send, active low), and TXD associated with the UARTE are mapped to physical pins according to the configuration specified in the PSEL.RXD, PSEL.CTS, PSEL.RTS, and PSEL.TXD registers respectively.

The PSEL.RXD, PSEL.CTS, PSEL.RTS, and PSEL.TXD registers and their configurations are only used as long as the UARTE is enabled, and retained only for the duration the device is in ON mode. PSEL.RXD, PSEL.RTS, PSEL.RTS and PSEL.TXD must only be configured when the UARTE is disabled.

To secure correct signal levels on the pins by the UARTE when the system is in OFF mode, the pins must be configured in the GPIO peripheral as described in [Table 80: GPIO configuration before enabling peripheral](#) on page 337.

Only one peripheral can be assigned to drive a particular GPIO pin at a time. Failing to do so may result in unpredictable behavior.

**Table 80: GPIO configuration before enabling peripheral**

| UARTE signal | UARTE pin                | Direction | Output value   |
|--------------|--------------------------|-----------|----------------|
| RXD          | As specified in PSEL.RXD | Input     | Not applicable |
| CTS          | As specified in PSEL.CTS | Input     | Not applicable |
| RTS          | As specified in PSEL.RTS | Output    | 1              |
| TXD          | As specified in PSEL.TXD | Output    | 1              |

## 35.10 Registers

**Table 81: Instances**

| Base address | Peripheral | Instance | Description  | Configuration |
|--------------|------------|----------|--|---------------|
| 0x40002000   | UARTE      | UARTE0   | Universal Asynchronous Receiver/<br>Transmitter with EasyDMA |               |

**Table 82: Register Overview**

| Register         | Offset | Description  |
|------------------|--------|--|
| TASKS_STARTRX    | 0x000  | Start UART receiver  |
| TASKS_STOPRX     | 0x004  | Stop UART receiver   |
| TASKS_STARTTX    | 0x008  | Start UART transmitter   |
| TASKS_STOPTX     | 0x00C  | Stop UART transmitter  |
| TASKS_FLUSHRX    | 0x02C  | Flush RX FIFO into RX buffer   |
| EVENTS_CTS       | 0x100  | CTS is activated (set low). Clear To Send.                             |
| EVENTS_NCTS      | 0x104  | CTS is deactivated (set high). Not Clear To Send.                      |
| EVENTS_RXDRDY    | 0x108  | Data received in RXD (but potentially not yet transferred to Data RAM) |
| EVENTS_ENDRX     | 0x110  | Receive buffer is filled up  |
| EVENTS_TXDRDY    | 0x11C  | Data sent from TXD   |
| EVENTS_ENDTX     | 0x120  | Last TX byte transmitted   |
| EVENTS_ERROR     | 0x124  | Error detected   |
| EVENTS_RXTO      | 0x144  | Receiver timeout   |
| EVENTS_RXSTARTED | 0x14C  | UART receiver has started  |
| EVENTS_TXSTARTED | 0x150  | UART transmitter has started   |
| EVENTS_TXSTOPPED | 0x158  | Transmitter stopped  |
| <i>SHORTS</i>    | 0x200  | Shortcut register  |
| <i>INTEN</i>     | 0x300  | Enable or disable interrupt  |
| <i>INTENSET</i>  | 0x304  | Enable interrupt   |
| <i>INTENCLR</i>  | 0x308  | Disable interrupt  |

| Register                   | Offset | Description   |
|----------------------------|--------|---|
| <a href="#">ERRORSRC</a>   | 0x480  | Error source  |
| <a href="#">ENABLE</a>     | 0x500  | Enable UART   |
| <a href="#">PSEL.RTS</a>   | 0x508  | Pin select for RTS signal                                 |
| <a href="#">PSEL.TXD</a>   | 0x50C  | Pin select for TXD signal                                 |
| <a href="#">PSEL.CTS</a>   | 0x510  | Pin select for CTS signal                                 |
| <a href="#">PSEL.RXD</a>   | 0x514  | Pin select for RXD signal                                 |
| <a href="#">BAUDRATE</a>   | 0x524  | Baud rate. Accuracy depends on the HFCLK source selected. |
| <a href="#">RXD.PTR</a>    | 0x534  | Data pointer  |
| <a href="#">RXD.MAXCNT</a> | 0x538  | Maximum number of bytes in receive buffer                 |
| <a href="#">RXD.AMOUNT</a> | 0x53C  | Number of bytes transferred in the last transaction       |
| <a href="#">TXD.PTR</a>    | 0x544  | Data pointer  |
| <a href="#">TXD.MAXCNT</a> | 0x548  | Maximum number of bytes in transmit buffer                |
| <a href="#">TXD.AMOUNT</a> | 0x54C  | Number of bytes transferred in the last transaction       |
| <a href="#">CONFIG</a>     | 0x56C  | Configuration of parity and hardware flow control         |

### 35.10.1 SHORTS

Address offset: 0x200

Shortcut register

| Bit number       | 31 30 29 28 27 26 25 24 23 22 21 20 19 18 17 16 15 14 13 12 11 10 9 8 7 6 5 4 3 2 1 0 |               |          |       |   |  |  |  |  |  |  |  |  |  |  |  |  |  |  |  |  |  |  |  |  |  |  |  |  |  |  |
|------------------|---|---------------|----------|-------|---|--|--|--|--|--|--|--|--|--|--|--|--|--|--|--|--|--|--|--|--|--|--|--|--|--|--|
| Id               |   |               |          |       |   |  |  |  |  |  |  |  |  |  |  |  |  |  |  |  |  |  |  |  |  |  |  |  |  |  |  |
| Reset 0x00000000 | 0             |               |          |       |   |  |  |  |  |  |  |  |  |  |  |  |  |  |  |  |  |  |  |  |  |  |  |  |  |  |  |
| Id               | RW  | Field         | Value Id | Value | Description   |  |  |  |  |  |  |  |  |  |  |  |  |  |  |  |  |  |  |  |  |  |  |  |  |  |  |
| C                | RW  | ENDRX_STARTRX |          |       | Shortcut between ENDRX event and STARTRX task<br><br>See <a href="#">EVENTS_ENDRX</a> and <a href="#">TASKS_STARTRX</a> |  |  |  |  |  |  |  |  |  |  |  |  |  |  |  |  |  |  |  |  |  |  |  |  |  |  |
|                  |   |               | Disabled | 0     | Disable shortcut  |  |  |  |  |  |  |  |  |  |  |  |  |  |  |  |  |  |  |  |  |  |  |  |  |  |  |
|                  |   |               | Enabled  | 1     | Enable shortcut   |  |  |  |  |  |  |  |  |  |  |  |  |  |  |  |  |  |  |  |  |  |  |  |  |  |  |
| D                | RW  | ENDRX_STOPRX  |          |       | Shortcut between ENDRX event and STOPRX task<br><br>See <a href="#">EVENTS_ENDRX</a> and <a href="#">TASKS_STOPRX</a>   |  |  |  |  |  |  |  |  |  |  |  |  |  |  |  |  |  |  |  |  |  |  |  |  |  |  |
|                  |   |               | Disabled | 0     | Disable shortcut  |  |  |  |  |  |  |  |  |  |  |  |  |  |  |  |  |  |  |  |  |  |  |  |  |  |  |
|                  |   |               | Enabled  | 1     | Enable shortcut   |  |  |  |  |  |  |  |  |  |  |  |  |  |  |  |  |  |  |  |  |  |  |  |  |  |  |

### 35.10.2 INTEN

Address offset: 0x300

Enable or disable interrupt

| Bit number       | 31 30 29 28 27 26 25 24 23 22 21 20 19 18 17 16 15 14 13 12 11 10 9 8 7 6 5 4 3 2 1 0 |        |          |       |   |  |  |  |  |  |  |  |  |  |  |  |  |  |  |  |  |  |  |  |  |  |  |  |  |  |  |
|------------------|---|--------|----------|-------|---|--|--|--|--|--|--|--|--|--|--|--|--|--|--|--|--|--|--|--|--|--|--|--|--|--|--|
| Id               |   |        |          |       |   |  |  |  |  |  |  |  |  |  |  |  |  |  |  |  |  |  |  |  |  |  |  |  |  |  |  |
| Reset 0x00000000 | 0             |        |          |       |   |  |  |  |  |  |  |  |  |  |  |  |  |  |  |  |  |  |  |  |  |  |  |  |  |  |  |
| Id               | RW  | Field  | Value Id | Value | Description   |  |  |  |  |  |  |  |  |  |  |  |  |  |  |  |  |  |  |  |  |  |  |  |  |  |  |
| A                | RW  | CTS    |          |       | Enable or disable interrupt for CTS event<br><br>See <a href="#">EVENTS_CTS</a>       |  |  |  |  |  |  |  |  |  |  |  |  |  |  |  |  |  |  |  |  |  |  |  |  |  |  |
|                  |   |        | Disabled | 0     | Disable   |  |  |  |  |  |  |  |  |  |  |  |  |  |  |  |  |  |  |  |  |  |  |  |  |  |  |
|                  |   |        | Enabled  | 1     | Enable  |  |  |  |  |  |  |  |  |  |  |  |  |  |  |  |  |  |  |  |  |  |  |  |  |  |  |
| B                | RW  | NCTS   |          |       | Enable or disable interrupt for NCTS event<br><br>See <a href="#">EVENTS_NCTS</a>     |  |  |  |  |  |  |  |  |  |  |  |  |  |  |  |  |  |  |  |  |  |  |  |  |  |  |
|                  |   |        | Disabled | 0     | Disable   |  |  |  |  |  |  |  |  |  |  |  |  |  |  |  |  |  |  |  |  |  |  |  |  |  |  |
|                  |   |        | Enabled  | 1     | Enable  |  |  |  |  |  |  |  |  |  |  |  |  |  |  |  |  |  |  |  |  |  |  |  |  |  |  |
| C                | RW  | RXDRDY |          |       | Enable or disable interrupt for RXDRDY event<br><br>See <a href="#">EVENTS_RXDRDY</a> |  |  |  |  |  |  |  |  |  |  |  |  |  |  |  |  |  |  |  |  |  |  |  |  |  |  |
|                  |   |        | Disabled | 0     | Disable   |  |  |  |  |  |  |  |  |  |  |  |  |  |  |  |  |  |  |  |  |  |  |  |  |  |  |
|                  |   |        | Enabled  | 1     | Enable  |  |  |  |  |  |  |  |  |  |  |  |  |  |  |  |  |  |  |  |  |  |  |  |  |  |  |
| D                | RW  | ENDRX  |          |       | Enable or disable interrupt for ENDRX event<br><br>See <a href="#">EVENTS_ENDRX</a>   |  |  |  |  |  |  |  |  |  |  |  |  |  |  |  |  |  |  |  |  |  |  |  |  |  |  |

| Bit number       | 31 30 29 28 27 26 25 24 23 22 21 20 19 18 17 16 15 14 13 12 11 10 9 8 7 6 5 4 3 2 1 0 |           |   |       |                                      |  |  |  |  |  |  |  |  |  |  |  |               |  |  |  |  |  |  |  |  |  |  |  |  |  |  |
|------------------|---|-----------|---|-------|--------------------------------------|--|--|--|--|--|--|--|--|--|--|--|---------------|--|--|--|--|--|--|--|--|--|--|--|--|--|--|
| Id               | L J I H   |           |   |       |                                      |  |  |  |  |  |  |  |  |  |  |  | G F E D C B A |  |  |  |  |  |  |  |  |  |  |  |  |  |  |
| Reset 0x00000000 | 0             |           |   |       |                                      |  |  |  |  |  |  |  |  |  |  |  |               |  |  |  |  |  |  |  |  |  |  |  |  |  |  |
| Id               | RW  | Field     | Value Id  | Value | Description                          |  |  |  |  |  |  |  |  |  |  |  |               |  |  |  |  |  |  |  |  |  |  |  |  |  |  |
| E                | RW  | TXDRDY    | Disabled  | 0     | Disable                              |  |  |  |  |  |  |  |  |  |  |  |               |  |  |  |  |  |  |  |  |  |  |  |  |  |  |
|                  |   |           | Enabled   | 1     | Enable                               |  |  |  |  |  |  |  |  |  |  |  |               |  |  |  |  |  |  |  |  |  |  |  |  |  |  |
|                  |   |           | Enable or disable interrupt for TXDRDY event    |       |                                      |  |  |  |  |  |  |  |  |  |  |  |               |  |  |  |  |  |  |  |  |  |  |  |  |  |  |
|                  |   |           |   |       | See <a href="#">EVENTS_TXDRDY</a>    |  |  |  |  |  |  |  |  |  |  |  |               |  |  |  |  |  |  |  |  |  |  |  |  |  |  |
|                  |   |           | Disabled  | 0     | Disable                              |  |  |  |  |  |  |  |  |  |  |  |               |  |  |  |  |  |  |  |  |  |  |  |  |  |  |
|                  |   |           | Enabled   | 1     | Enable                               |  |  |  |  |  |  |  |  |  |  |  |               |  |  |  |  |  |  |  |  |  |  |  |  |  |  |
|                  |   |           |   |       |                                      |  |  |  |  |  |  |  |  |  |  |  |               |  |  |  |  |  |  |  |  |  |  |  |  |  |  |
| F                | RW  | ENDTX     | Disabled  | 0     | Disable                              |  |  |  |  |  |  |  |  |  |  |  |               |  |  |  |  |  |  |  |  |  |  |  |  |  |  |
|                  |   |           | Enabled   | 1     | Enable                               |  |  |  |  |  |  |  |  |  |  |  |               |  |  |  |  |  |  |  |  |  |  |  |  |  |  |
|                  |   |           | Enable or disable interrupt for ENDTX event     |       |                                      |  |  |  |  |  |  |  |  |  |  |  |               |  |  |  |  |  |  |  |  |  |  |  |  |  |  |
|                  |   |           |   |       | See <a href="#">EVENTS_ENDTX</a>     |  |  |  |  |  |  |  |  |  |  |  |               |  |  |  |  |  |  |  |  |  |  |  |  |  |  |
|                  |   |           | Disabled  | 0     | Disable                              |  |  |  |  |  |  |  |  |  |  |  |               |  |  |  |  |  |  |  |  |  |  |  |  |  |  |
|                  |   |           | Enabled   | 1     | Enable                               |  |  |  |  |  |  |  |  |  |  |  |               |  |  |  |  |  |  |  |  |  |  |  |  |  |  |
|                  |   |           |   |       |                                      |  |  |  |  |  |  |  |  |  |  |  |               |  |  |  |  |  |  |  |  |  |  |  |  |  |  |
| G                | RW  | ERROR     | Disabled  | 0     | Disable                              |  |  |  |  |  |  |  |  |  |  |  |               |  |  |  |  |  |  |  |  |  |  |  |  |  |  |
|                  |   |           | Enabled   | 1     | Enable                               |  |  |  |  |  |  |  |  |  |  |  |               |  |  |  |  |  |  |  |  |  |  |  |  |  |  |
|                  |   |           | Enable or disable interrupt for ERROR event     |       |                                      |  |  |  |  |  |  |  |  |  |  |  |               |  |  |  |  |  |  |  |  |  |  |  |  |  |  |
|                  |   |           |   |       | See <a href="#">EVENTS_ERROR</a>     |  |  |  |  |  |  |  |  |  |  |  |               |  |  |  |  |  |  |  |  |  |  |  |  |  |  |
|                  |   |           | Disabled  | 0     | Disable                              |  |  |  |  |  |  |  |  |  |  |  |               |  |  |  |  |  |  |  |  |  |  |  |  |  |  |
|                  |   |           | Enabled   | 1     | Enable                               |  |  |  |  |  |  |  |  |  |  |  |               |  |  |  |  |  |  |  |  |  |  |  |  |  |  |
|                  |   |           |   |       |                                      |  |  |  |  |  |  |  |  |  |  |  |               |  |  |  |  |  |  |  |  |  |  |  |  |  |  |
| H                | RW  | RXTO      | Disabled  | 0     | Disable                              |  |  |  |  |  |  |  |  |  |  |  |               |  |  |  |  |  |  |  |  |  |  |  |  |  |  |
|                  |   |           | Enabled   | 1     | Enable                               |  |  |  |  |  |  |  |  |  |  |  |               |  |  |  |  |  |  |  |  |  |  |  |  |  |  |
|                  |   |           | Enable or disable interrupt for RXTO event      |       |                                      |  |  |  |  |  |  |  |  |  |  |  |               |  |  |  |  |  |  |  |  |  |  |  |  |  |  |
|                  |   |           |   |       | See <a href="#">EVENTS_RXTO</a>      |  |  |  |  |  |  |  |  |  |  |  |               |  |  |  |  |  |  |  |  |  |  |  |  |  |  |
|                  |   |           | Disabled  | 0     | Disable                              |  |  |  |  |  |  |  |  |  |  |  |               |  |  |  |  |  |  |  |  |  |  |  |  |  |  |
|                  |   |           | Enabled   | 1     | Enable                               |  |  |  |  |  |  |  |  |  |  |  |               |  |  |  |  |  |  |  |  |  |  |  |  |  |  |
|                  |   |           |   |       |                                      |  |  |  |  |  |  |  |  |  |  |  |               |  |  |  |  |  |  |  |  |  |  |  |  |  |  |
| I                | RW  | RXSTARTED | Disabled  | 0     | Disable                              |  |  |  |  |  |  |  |  |  |  |  |               |  |  |  |  |  |  |  |  |  |  |  |  |  |  |
|                  |   |           | Enabled   | 1     | Enable                               |  |  |  |  |  |  |  |  |  |  |  |               |  |  |  |  |  |  |  |  |  |  |  |  |  |  |
|                  |   |           | Enable or disable interrupt for RXSTARTED event |       |                                      |  |  |  |  |  |  |  |  |  |  |  |               |  |  |  |  |  |  |  |  |  |  |  |  |  |  |
|                  |   |           |   |       | See <a href="#">EVENTS_RXSTARTED</a> |  |  |  |  |  |  |  |  |  |  |  |               |  |  |  |  |  |  |  |  |  |  |  |  |  |  |
|                  |   |           | Disabled  | 0     | Disable                              |  |  |  |  |  |  |  |  |  |  |  |               |  |  |  |  |  |  |  |  |  |  |  |  |  |  |
|                  |   |           | Enabled   | 1     | Enable                               |  |  |  |  |  |  |  |  |  |  |  |               |  |  |  |  |  |  |  |  |  |  |  |  |  |  |
|                  |   |           |   |       |                                      |  |  |  |  |  |  |  |  |  |  |  |               |  |  |  |  |  |  |  |  |  |  |  |  |  |  |
| J                | RW  | TXSTARTED | Disabled  | 0     | Disable                              |  |  |  |  |  |  |  |  |  |  |  |               |  |  |  |  |  |  |  |  |  |  |  |  |  |  |
|                  |   |           | Enabled   | 1     | Enable                               |  |  |  |  |  |  |  |  |  |  |  |               |  |  |  |  |  |  |  |  |  |  |  |  |  |  |
|                  |   |           | Enable or disable interrupt for TXSTARTED event |       |                                      |  |  |  |  |  |  |  |  |  |  |  |               |  |  |  |  |  |  |  |  |  |  |  |  |  |  |
|                  |   |           |   |       | See <a href="#">EVENTS_TXSTARTED</a> |  |  |  |  |  |  |  |  |  |  |  |               |  |  |  |  |  |  |  |  |  |  |  |  |  |  |
|                  |   |           | Disabled  | 0     | Disable                              |  |  |  |  |  |  |  |  |  |  |  |               |  |  |  |  |  |  |  |  |  |  |  |  |  |  |
|                  |   |           | Enabled   | 1     | Enable                               |  |  |  |  |  |  |  |  |  |  |  |               |  |  |  |  |  |  |  |  |  |  |  |  |  |  |
|                  |   |           |   |       |                                      |  |  |  |  |  |  |  |  |  |  |  |               |  |  |  |  |  |  |  |  |  |  |  |  |  |  |
| L                | RW  | TXSTOPPED | Disabled  | 0     | Disable                              |  |  |  |  |  |  |  |  |  |  |  |               |  |  |  |  |  |  |  |  |  |  |  |  |  |  |
|                  |   |           | Enabled   | 1     | Enable                               |  |  |  |  |  |  |  |  |  |  |  |               |  |  |  |  |  |  |  |  |  |  |  |  |  |  |
|                  |   |           | Enable or disable interrupt for TXSTOPPED event |       |                                      |  |  |  |  |  |  |  |  |  |  |  |               |  |  |  |  |  |  |  |  |  |  |  |  |  |  |
|                  |   |           |   |       | See <a href="#">EVENTS_TXSTOPPED</a> |  |  |  |  |  |  |  |  |  |  |  |               |  |  |  |  |  |  |  |  |  |  |  |  |  |  |
|                  |   |           | Disabled  | 0     | Disable                              |  |  |  |  |  |  |  |  |  |  |  |               |  |  |  |  |  |  |  |  |  |  |  |  |  |  |
|                  |   |           | Enabled   | 1     | Enable                               |  |  |  |  |  |  |  |  |  |  |  |               |  |  |  |  |  |  |  |  |  |  |  |  |  |  |
|                  |   |           |   |       |                                      |  |  |  |  |  |  |  |  |  |  |  |               |  |  |  |  |  |  |  |  |  |  |  |  |  |  |

### 35.10.3 INTENSET

Address offset: 0x304

Enable interrupt

| Bit number       | 31 30 29 28 27 26 25 24 23 22 21 20 19 18 17 16 15 14 13 12 11 10 9 8 7 6 5 4 3 2 1 0 |        |                                 |       |  |  |  |  |  |  |  |  |  |  |  |  |               |  |  |  |  |  |  |  |  |  |  |  |  |  |  |
|------------------|---|--------|---------------------------------|-------|--|--|--|--|--|--|--|--|--|--|--|--|---------------|--|--|--|--|--|--|--|--|--|--|--|--|--|--|
| Id               | L J I H   |        |                                 |       |  |  |  |  |  |  |  |  |  |  |  |  | G F E D C B A |  |  |  |  |  |  |  |  |  |  |  |  |  |  |
| Reset 0x00000000 | 0             |        |                                 |       |  |  |  |  |  |  |  |  |  |  |  |  |               |  |  |  |  |  |  |  |  |  |  |  |  |  |  |
| Id               | RW  | Field  | Value Id                        | Value | Description                                    |  |  |  |  |  |  |  |  |  |  |  |               |  |  |  |  |  |  |  |  |  |  |  |  |  |  |
| A                | RW  | CTS    |                                 |       | Write '1' to Enable interrupt for CTS event    |  |  |  |  |  |  |  |  |  |  |  |               |  |  |  |  |  |  |  |  |  |  |  |  |  |  |
|                  |   |        | See <a href="#">EVENTS_CTS</a>  |       |  |  |  |  |  |  |  |  |  |  |  |  |               |  |  |  |  |  |  |  |  |  |  |  |  |  |  |
|                  |   |        | Set                             | 1     | Enable   |  |  |  |  |  |  |  |  |  |  |  |               |  |  |  |  |  |  |  |  |  |  |  |  |  |  |
|                  |   |        | Disabled                        | 0     | Read: Disabled                                 |  |  |  |  |  |  |  |  |  |  |  |               |  |  |  |  |  |  |  |  |  |  |  |  |  |  |
|                  |   |        | Enabled                         | 1     | Read: Enabled                                  |  |  |  |  |  |  |  |  |  |  |  |               |  |  |  |  |  |  |  |  |  |  |  |  |  |  |
|                  |   |        |                                 |       |  |  |  |  |  |  |  |  |  |  |  |  |               |  |  |  |  |  |  |  |  |  |  |  |  |  |  |
|                  |   |        |                                 |       |  |  |  |  |  |  |  |  |  |  |  |  |               |  |  |  |  |  |  |  |  |  |  |  |  |  |  |
| B                | RW  | NCTS   |                                 |       | Write '1' to Enable interrupt for NCTS event   |  |  |  |  |  |  |  |  |  |  |  |               |  |  |  |  |  |  |  |  |  |  |  |  |  |  |
|                  |   |        | See <a href="#">EVENTS_NCTS</a> |       |  |  |  |  |  |  |  |  |  |  |  |  |               |  |  |  |  |  |  |  |  |  |  |  |  |  |  |
|                  |   |        | Set                             | 1     | Enable   |  |  |  |  |  |  |  |  |  |  |  |               |  |  |  |  |  |  |  |  |  |  |  |  |  |  |
|                  |   |        | Disabled                        | 0     | Read: Disabled                                 |  |  |  |  |  |  |  |  |  |  |  |               |  |  |  |  |  |  |  |  |  |  |  |  |  |  |
|                  |   |        | Enabled                         | 1     | Read: Enabled                                  |  |  |  |  |  |  |  |  |  |  |  |               |  |  |  |  |  |  |  |  |  |  |  |  |  |  |
|                  |   |        |                                 |       |  |  |  |  |  |  |  |  |  |  |  |  |               |  |  |  |  |  |  |  |  |  |  |  |  |  |  |
| C                | RW  | RXDRDY |                                 |       | Write '1' to Enable interrupt for RXDRDY event |  |  |  |  |  |  |  |  |  |  |  |               |  |  |  |  |  |  |  |  |  |  |  |  |  |  |
|                  |   |        |                                 |       |  |  |  |  |  |  |  |  |  |  |  |  |               |  |  |  |  |  |  |  |  |  |  |  |  |  |  |

|                  |    |    |    |    |    |    |    |    |    |    |    |    |    |    |    |    |    |    |    |    |    |    |   |   |   |   |   |   |   |   |   |   |   |
|------------------|----|----|----|----|----|----|----|----|----|----|----|----|----|----|----|----|----|----|----|----|----|----|---|---|---|---|---|---|---|---|---|---|---|
| Bit number       | 31 | 30 | 29 | 28 | 27 | 26 | 25 | 24 | 23 | 22 | 21 | 20 | 19 | 18 | 17 | 16 | 15 | 14 | 13 | 12 | 11 | 10 | 9 | 8 | 7 | 6 | 5 | 4 | 3 | 2 | 1 | 0 |   |
| Id               |    |    |    |    |    |    |    |    |    |    | L  | J  | I  | H  |    |    |    |    |    |    |    |    |   |   | G | F | E | D | C | B | A |   |   |
| Reset 0x00000000 | 0  | 0  | 0  | 0  | 0  | 0  | 0  | 0  | 0  | 0  | 0  | 0  | 0  | 0  | 0  | 0  | 0  | 0  | 0  | 0  | 0  | 0  | 0 | 0 | 0 | 0 | 0 | 0 | 0 | 0 | 0 | 0 | 0 |

| Id | RW | Field     | Value Id | Value | Description                                       |
|----|----|-----------|----------|-------|---|
|    |    |           |          |       | See <a href="#">EVENTS_RXDRDY</a>                 |
|    |    |           | Set      | 1     | Enable  |
|    |    |           | Disabled | 0     | Read: Disabled                                    |
|    |    |           | Enabled  | 1     | Read: Enabled                                     |
| D  | RW | ENDRX     |          |       | Write '1' to Enable interrupt for ENDRX event     |
|    |    |           |          |       | See <a href="#">EVENTS_ENDRX</a>                  |
|    |    |           | Set      | 1     | Enable  |
|    |    |           | Disabled | 0     | Read: Disabled                                    |
|    |    |           | Enabled  | 1     | Read: Enabled                                     |
| E  | RW | TXDRDY    |          |       | Write '1' to Enable interrupt for TXDRDY event    |
|    |    |           |          |       | See <a href="#">EVENTS_TXDRDY</a>                 |
|    |    |           | Set      | 1     | Enable  |
|    |    |           | Disabled | 0     | Read: Disabled                                    |
|    |    |           | Enabled  | 1     | Read: Enabled                                     |
| F  | RW | ENDTX     |          |       | Write '1' to Enable interrupt for ENDTX event     |
|    |    |           |          |       | See <a href="#">EVENTS_ENDTX</a>                  |
|    |    |           | Set      | 1     | Enable  |
|    |    |           | Disabled | 0     | Read: Disabled                                    |
|    |    |           | Enabled  | 1     | Read: Enabled                                     |
| G  | RW | ERROR     |          |       | Write '1' to Enable interrupt for ERROR event     |
|    |    |           |          |       | See <a href="#">EVENTS_ERROR</a>                  |
|    |    |           | Set      | 1     | Enable  |
|    |    |           | Disabled | 0     | Read: Disabled                                    |
|    |    |           | Enabled  | 1     | Read: Enabled                                     |
| H  | RW | RXTO      |          |       | Write '1' to Enable interrupt for RXTO event      |
|    |    |           |          |       | See <a href="#">EVENTS_RXTO</a>                   |
|    |    |           | Set      | 1     | Enable  |
|    |    |           | Disabled | 0     | Read: Disabled                                    |
|    |    |           | Enabled  | 1     | Read: Enabled                                     |
| I  | RW | RXSTARTED |          |       | Write '1' to Enable interrupt for RXSTARTED event |
|    |    |           |          |       | See <a href="#">EVENTS_RXSTARTED</a>              |
|    |    |           | Set      | 1     | Enable  |
|    |    |           | Disabled | 0     | Read: Disabled                                    |
|    |    |           | Enabled  | 1     | Read: Enabled                                     |
| J  | RW | TXSTARTED |          |       | Write '1' to Enable interrupt for TXSTARTED event |
|    |    |           |          |       | See <a href="#">EVENTS_TXSTARTED</a>              |
|    |    |           | Set      | 1     | Enable  |
|    |    |           | Disabled | 0     | Read: Disabled                                    |
|    |    |           | Enabled  | 1     | Read: Enabled                                     |
| L  | RW | TXSTOPPED |          |       | Write '1' to Enable interrupt for TXSTOPPED event |
|    |    |           |          |       | See <a href="#">EVENTS_TXSTOPPED</a>              |
|    |    |           | Set      | 1     | Enable  |
|    |    |           | Disabled | 0     | Read: Disabled                                    |
|    |    |           | Enabled  | 1     | Read: Enabled                                     |

### 35.10.4 INTENCLR

Address offset: 0x308

Disable interrupt

|                  |    |    |    |    |    |    |    |    |    |    |    |    |    |    |    |    |    |    |    |    |    |    |   |   |   |   |   |   |   |   |   |   |   |
|------------------|----|----|----|----|----|----|----|----|----|----|----|----|----|----|----|----|----|----|----|----|----|----|---|---|---|---|---|---|---|---|---|---|---|
| Bit number       | 31 | 30 | 29 | 28 | 27 | 26 | 25 | 24 | 23 | 22 | 21 | 20 | 19 | 18 | 17 | 16 | 15 | 14 | 13 | 12 | 11 | 10 | 9 | 8 | 7 | 6 | 5 | 4 | 3 | 2 | 1 | 0 |   |
| Id               |    |    |    |    |    |    |    |    |    |    | L  | J  | I  | H  |    |    |    |    |    |    |    |    |   |   | G | F | E | D | C | B | A |   |   |
| Reset 0x00000000 | 0  | 0  | 0  | 0  | 0  | 0  | 0  | 0  | 0  | 0  | 0  | 0  | 0  | 0  | 0  | 0  | 0  | 0  | 0  | 0  | 0  | 0  | 0 | 0 | 0 | 0 | 0 | 0 | 0 | 0 | 0 | 0 | 0 |

| Id | RW | Field     | Value Id | Value | Description  |
|----|----|-----------|----------|-------|--|
| A  | RW | CTS       |          |       | Write '1' to Disable interrupt for CTS event       |
|    |    |           |          |       | See <a href="#">EVENTS_CTS</a>                     |
|    |    |           | Clear    | 1     | Disable  |
|    |    |           | Disabled | 0     | Read: Disabled                                     |
| B  | RW | NCTS      | Enabled  | 1     | Read: Enabled                                      |
|    |    |           |          |       | Write '1' to Disable interrupt for NCTS event      |
|    |    |           |          |       | See <a href="#">EVENTS_NCTS</a>                    |
|    |    |           | Clear    | 1     | Disable  |
| C  | RW | RXDRDY    | Disabled | 0     | Read: Disabled                                     |
|    |    |           | Enabled  | 1     | Read: Enabled                                      |
|    |    |           |          |       | Write '1' to Disable interrupt for RXDRDY event    |
|    |    |           |          |       | See <a href="#">EVENTS_RXDRDY</a>                  |
| D  | RW | ENDRX     | Clear    | 1     | Disable  |
|    |    |           | Disabled | 0     | Read: Disabled                                     |
|    |    |           | Enabled  | 1     | Read: Enabled                                      |
|    |    |           |          |       | Write '1' to Disable interrupt for ENDRX event     |
| E  | RW | TXDRDY    |          |       | Write '1' to Disable interrupt for TXDRDY event    |
|    |    |           |          |       | See <a href="#">EVENTS_TXDRDY</a>                  |
|    |    |           | Clear    | 1     | Disable  |
|    |    |           | Disabled | 0     | Read: Disabled                                     |
| F  | RW | ENDTX     | Enabled  | 1     | Read: Enabled                                      |
|    |    |           |          |       | Write '1' to Disable interrupt for ENDTX event     |
|    |    |           |          |       | See <a href="#">EVENTS_ENDTX</a>                   |
|    |    |           | Clear    | 1     | Disable  |
| G  | RW | ERROR     | Disabled | 0     | Read: Disabled                                     |
|    |    |           | Enabled  | 1     | Read: Enabled                                      |
|    |    |           |          |       | Write '1' to Disable interrupt for ERROR event     |
|    |    |           |          |       | See <a href="#">EVENTS_ERROR</a>                   |
| H  | RW | RXTO      | Clear    | 1     | Disable  |
|    |    |           | Disabled | 0     | Read: Disabled                                     |
|    |    |           | Enabled  | 1     | Read: Enabled                                      |
|    |    |           |          |       | Write '1' to Disable interrupt for RXTO event      |
| I  | RW | RXSTARTED |          |       | Write '1' to Disable interrupt for RXSTARTED event |
|    |    |           |          |       | See <a href="#">EVENTS_RXSTARTED</a>               |
|    |    |           | Clear    | 1     | Disable  |
|    |    |           | Disabled | 0     | Read: Disabled                                     |
| J  | RW | TXSTARTED | Enabled  | 1     | Read: Enabled                                      |
|    |    |           |          |       | Write '1' to Disable interrupt for TXSTARTED event |
|    |    |           |          |       | See <a href="#">EVENTS_TXSTARTED</a>               |
|    |    |           | Clear    | 1     | Disable  |
| L  | RW | TXSTOPPED | Disabled | 0     | Read: Disabled                                     |
|    |    |           | Enabled  | 1     | Read: Enabled                                      |
|    |    |           |          |       | Write '1' to Disable interrupt for TXSTOPPED event |
|    |    |           |          |       |  |

| Bit number       | 31 | 30    | 29       | 28 | 27    | 26                                   | 25 | 24 | 23 | 22 | 21 | 20 | 19 | 18 | 17 | 16 | 15 | 14 | 13 | 12 | 11 | 10 | 9 | 8 | 7 | 6 | 5 | 4 | 3 | 2 | 1 | 0 |
|------------------|----|-------|----------|----|-------|--------------------------------------|----|----|----|----|----|----|----|----|----|----|----|----|----|----|----|----|---|---|---|---|---|---|---|---|---|---|
| Id               |    |       |          |    |       |                                      |    |    |    |    | L  | J  | I  | H  |    |    |    |    |    |    |    |    |   | G | F | E |   | D | C | B | A |   |
| Reset 0x00000000 | 0  | 0     | 0        | 0  | 0     | 0                                    | 0  | 0  | 0  | 0  | 0  | 0  | 0  | 0  | 0  | 0  | 0  | 0  | 0  | 0  | 0  | 0  | 0 | 0 | 0 | 0 | 0 | 0 | 0 | 0 | 0 | 0 |
| Id               | RW | Field | Value    | Id | Value | Description                          |    |    |    |    |    |    |    |    |    |    |    |    |    |    |    |    |   |   |   |   |   |   |   |   |   |   |
|                  |    |       |          |    |       | See <a href="#">EVENTS_TXSTOPPED</a> |    |    |    |    |    |    |    |    |    |    |    |    |    |    |    |    |   |   |   |   |   |   |   |   |   |   |
|                  |    |       | Clear    | 1  |       | Disable                              |    |    |    |    |    |    |    |    |    |    |    |    |    |    |    |    |   |   |   |   |   |   |   |   |   |   |
|                  |    |       | Disabled | 0  |       | Read: Disabled                       |    |    |    |    |    |    |    |    |    |    |    |    |    |    |    |    |   |   |   |   |   |   |   |   |   |   |
|                  |    |       | Enabled  | 1  |       | Read: Enabled                        |    |    |    |    |    |    |    |    |    |    |    |    |    |    |    |    |   |   |   |   |   |   |   |   |   |   |

### 35.10.5 ERRORSRC

Address offset: 0x480

Error source

| Bit number       | 31 | 30      | 29         | 28 | 27    | 26   | 25 | 24 | 23 | 22 | 21 | 20 | 19 | 18 | 17 | 16 | 15 | 14 | 13 | 12 | 11 | 10 | 9 | 8 | 7 | 6 | 5 | 4 | 3 | 2 | 1 | 0 |   |   |   |
|------------------|----|---------|------------|----|-------|--|----|----|----|----|----|----|----|----|----|----|----|----|----|----|----|----|---|---|---|---|---|---|---|---|---|---|---|---|---|
| Id               |    |         |            |    |       |  |    |    |    |    |    |    |    |    |    |    |    |    |    |    |    |    |   |   |   |   |   |   |   |   |   | D | C | B | A |
| Reset 0x00000000 | 0  | 0       | 0          | 0  | 0     | 0  | 0  | 0  | 0  | 0  | 0  | 0  | 0  | 0  | 0  | 0  | 0  | 0  | 0  | 0  | 0  | 0  | 0 | 0 | 0 | 0 | 0 | 0 | 0 | 0 | 0 | 0 | 0 | 0 |   |
| Id               | RW | Field   | Value      | Id | Value | Description  |    |    |    |    |    |    |    |    |    |    |    |    |    |    |    |    |   |   |   |   |   |   |   |   |   |   |   |   |   |
| A                | RW | OVERRUN |            |    |       | Overrun error  |    |    |    |    |    |    |    |    |    |    |    |    |    |    |    |    |   |   |   |   |   |   |   |   |   |   |   |   |   |
|                  |    |         |            |    |       | A start bit is received while the previous data still lies in RXD.<br>(Previous data is lost.)   |    |    |    |    |    |    |    |    |    |    |    |    |    |    |    |    |   |   |   |   |   |   |   |   |   |   |   |   |   |
|                  |    |         | NotPresent | 0  |       | Read: error not present  |    |    |    |    |    |    |    |    |    |    |    |    |    |    |    |    |   |   |   |   |   |   |   |   |   |   |   |   |   |
|                  |    |         | Present    | 1  |       | Read: error present  |    |    |    |    |    |    |    |    |    |    |    |    |    |    |    |    |   |   |   |   |   |   |   |   |   |   |   |   |   |
| B                | RW | PARITY  |            |    |       | Parity error   |    |    |    |    |    |    |    |    |    |    |    |    |    |    |    |    |   |   |   |   |   |   |   |   |   |   |   |   |   |
|                  |    |         |            |    |       | A character with bad parity is received, if HW parity check is enabled.  |    |    |    |    |    |    |    |    |    |    |    |    |    |    |    |    |   |   |   |   |   |   |   |   |   |   |   |   |   |
|                  |    |         | NotPresent | 0  |       | Read: error not present  |    |    |    |    |    |    |    |    |    |    |    |    |    |    |    |    |   |   |   |   |   |   |   |   |   |   |   |   |   |
|                  |    |         | Present    | 1  |       | Read: error present  |    |    |    |    |    |    |    |    |    |    |    |    |    |    |    |    |   |   |   |   |   |   |   |   |   |   |   |   |   |
| C                | RW | FRAMING |            |    |       | Framing error occurred   |    |    |    |    |    |    |    |    |    |    |    |    |    |    |    |    |   |   |   |   |   |   |   |   |   |   |   |   |   |
|                  |    |         |            |    |       | A valid stop bit is not detected on the serial data input after all bits in a character have been received.  |    |    |    |    |    |    |    |    |    |    |    |    |    |    |    |    |   |   |   |   |   |   |   |   |   |   |   |   |   |
|                  |    |         | NotPresent | 0  |       | Read: error not present  |    |    |    |    |    |    |    |    |    |    |    |    |    |    |    |    |   |   |   |   |   |   |   |   |   |   |   |   |   |
|                  |    |         | Present    | 1  |       | Read: error present  |    |    |    |    |    |    |    |    |    |    |    |    |    |    |    |    |   |   |   |   |   |   |   |   |   |   |   |   |   |
| D                | RW | BREAK   |            |    |       | Break condition  |    |    |    |    |    |    |    |    |    |    |    |    |    |    |    |    |   |   |   |   |   |   |   |   |   |   |   |   |   |
|                  |    |         |            |    |       | The serial data input is '0' for longer than the length of a data frame. (The data frame length is 10 bits without parity bit, and 11 bits with parity bit.) |    |    |    |    |    |    |    |    |    |    |    |    |    |    |    |    |   |   |   |   |   |   |   |   |   |   |   |   |   |
|                  |    |         | NotPresent | 0  |       | Read: error not present  |    |    |    |    |    |    |    |    |    |    |    |    |    |    |    |    |   |   |   |   |   |   |   |   |   |   |   |   |   |
|                  |    |         | Present    | 1  |       | Read: error present  |    |    |    |    |    |    |    |    |    |    |    |    |    |    |    |    |   |   |   |   |   |   |   |   |   |   |   |   |   |

### 35.10.6 ENABLE

Address offset: 0x500

Enable UART

| Bit number       | 31 | 30     | 29       | 28 | 27    | 26                      | 25 | 24 | 23 | 22 | 21 | 20 | 19 | 18 | 17 | 16 | 15 | 14 | 13 | 12 | 11 | 10 | 9 | 8 | 7 | 6 | 5 | 4 | 3 | 2 | 1 | 0 |   |   |   |   |
|------------------|----|--------|----------|----|-------|-------------------------|----|----|----|----|----|----|----|----|----|----|----|----|----|----|----|----|---|---|---|---|---|---|---|---|---|---|---|---|---|---|
| Id               |    |        |          |    |       |                         |    |    |    |    |    |    |    |    |    |    |    |    |    |    |    |    |   |   |   |   |   |   |   |   |   |   | A | A | A | A |
| Reset 0x00000000 | 0  | 0      | 0        | 0  | 0     | 0                       | 0  | 0  | 0  | 0  | 0  | 0  | 0  | 0  | 0  | 0  | 0  | 0  | 0  | 0  | 0  | 0  | 0 | 0 | 0 | 0 | 0 | 0 | 0 | 0 | 0 | 0 | 0 | 0 |   |   |
| Id               | RW | Field  | Value    | Id | Value | Description             |    |    |    |    |    |    |    |    |    |    |    |    |    |    |    |    |   |   |   |   |   |   |   |   |   |   |   |   |   |   |
| A                | RW | ENABLE |          |    |       | Enable or disable UARTE |    |    |    |    |    |    |    |    |    |    |    |    |    |    |    |    |   |   |   |   |   |   |   |   |   |   |   |   |   |   |
|                  |    |        | Disabled | 0  |       | Disable UARTE           |    |    |    |    |    |    |    |    |    |    |    |    |    |    |    |    |   |   |   |   |   |   |   |   |   |   |   |   |   |   |
|                  |    |        | Enabled  | 8  |       | Enable UARTE            |    |    |    |    |    |    |    |    |    |    |    |    |    |    |    |    |   |   |   |   |   |   |   |   |   |   |   |   |   |   |

### 35.10.7 PSEL.RTS

Address offset: 0x508

Pin select for RTS signal

| Bit number       | 31 | 30      | 29           | 28      | 27          | 26 | 25 | 24 | 23 | 22 | 21 | 20 | 19 | 18 | 17 | 16 | 15 | 14 | 13 | 12 | 11 | 10 | 9 | 8 | 7 | 6 | 5 | 4 | 3 | 2 | 1 | 0 |
|------------------|----|---------|--------------|---------|-------------|----|----|----|----|----|----|----|----|----|----|----|----|----|----|----|----|----|---|---|---|---|---|---|---|---|---|---|
| Id               | B  |         |              |         |             |    |    |    |    |    |    |    |    |    |    |    |    |    |    |    |    |    |   |   |   |   |   |   |   |   |   |   |
| Reset 0xFFFFFFFF | 1  | 1       | 1            | 1       | 1           | 1  | 1  | 1  | 1  | 1  | 1  | 1  | 1  | 1  | 1  | 1  | 1  | 1  | 1  | 1  | 1  | 1  | 1 | 1 | 1 | 1 | 1 | 1 | 1 | 1 | 1 | 1 |
| Id               | RW | Field   | Value Id     | Value   | Description |    |    |    |    |    |    |    |    |    |    |    |    |    |    |    |    |    |   |   |   |   |   |   |   |   |   |   |
| A                | RW | PIN     |              | [0..31] | Pin number  |    |    |    |    |    |    |    |    |    |    |    |    |    |    |    |    |    |   |   |   |   |   |   |   |   |   |   |
| B                | RW | CONNECT | Disconnected | 1       | Disconnect  |    |    |    |    |    |    |    |    |    |    |    |    |    |    |    |    |    |   |   |   |   |   |   |   |   |   |   |
|                  |    |         | Connected    | 0       | Connect     |    |    |    |    |    |    |    |    |    |    |    |    |    |    |    |    |    |   |   |   |   |   |   |   |   |   |   |

### 35.10.8 PSEL.TXD

Address offset: 0x50C

Pin select for TXD signal

| Bit number       | 31 | 30      | 29           | 28      | 27          | 26 | 25 | 24 | 23 | 22 | 21 | 20 | 19 | 18 | 17 | 16 | 15 | 14 | 13 | 12 | 11 | 10 | 9 | 8 | 7 | 6 | 5 | 4 | 3 | 2 | 1 | 0 |
|------------------|----|---------|--------------|---------|-------------|----|----|----|----|----|----|----|----|----|----|----|----|----|----|----|----|----|---|---|---|---|---|---|---|---|---|---|
| Id               | B  |         |              |         |             |    |    |    |    |    |    |    |    |    |    |    |    |    |    |    |    |    |   |   |   |   |   |   |   |   |   |   |
| Reset 0xFFFFFFFF | 1  | 1       | 1            | 1       | 1           | 1  | 1  | 1  | 1  | 1  | 1  | 1  | 1  | 1  | 1  | 1  | 1  | 1  | 1  | 1  | 1  | 1  | 1 | 1 | 1 | 1 | 1 | 1 | 1 | 1 | 1 |   |
| Id               | RW | Field   | Value Id     | Value   | Description |    |    |    |    |    |    |    |    |    |    |    |    |    |    |    |    |    |   |   |   |   |   |   |   |   |   |   |
| A                | RW | PIN     |              | [0..31] | Pin number  |    |    |    |    |    |    |    |    |    |    |    |    |    |    |    |    |    |   |   |   |   |   |   |   |   |   |   |
| B                | RW | CONNECT | Disconnected | 1       | Disconnect  |    |    |    |    |    |    |    |    |    |    |    |    |    |    |    |    |    |   |   |   |   |   |   |   |   |   |   |
|                  |    |         | Connected    | 0       | Connect     |    |    |    |    |    |    |    |    |    |    |    |    |    |    |    |    |    |   |   |   |   |   |   |   |   |   |   |

### 35.10.9 PSEL.CTS

Address offset: 0x510

Pin select for CTS signal

| Bit number       | 31 | 30      | 29           | 28      | 27          | 26 | 25 | 24 | 23 | 22 | 21 | 20 | 19 | 18 | 17 | 16 | 15 | 14 | 13 | 12 | 11 | 10 | 9 | 8 | 7 | 6 | 5 | 4 | 3 | 2 | 1 | 0 |
|------------------|----|---------|--------------|---------|-------------|----|----|----|----|----|----|----|----|----|----|----|----|----|----|----|----|----|---|---|---|---|---|---|---|---|---|---|
| Id               | B  |         |              |         |             |    |    |    |    |    |    |    |    |    |    |    |    |    |    |    |    |    |   |   |   |   |   |   |   |   |   |   |
| Reset 0xFFFFFFFF | 1  | 1       | 1            | 1       | 1           | 1  | 1  | 1  | 1  | 1  | 1  | 1  | 1  | 1  | 1  | 1  | 1  | 1  | 1  | 1  | 1  | 1  | 1 | 1 | 1 | 1 | 1 | 1 | 1 | 1 | 1 |   |
| Id               | RW | Field   | Value Id     | Value   | Description |    |    |    |    |    |    |    |    |    |    |    |    |    |    |    |    |    |   |   |   |   |   |   |   |   |   |   |
| A                | RW | PIN     |              | [0..31] | Pin number  |    |    |    |    |    |    |    |    |    |    |    |    |    |    |    |    |    |   |   |   |   |   |   |   |   |   |   |
| B                | RW | CONNECT | Disconnected | 1       | Disconnect  |    |    |    |    |    |    |    |    |    |    |    |    |    |    |    |    |    |   |   |   |   |   |   |   |   |   |   |
|                  |    |         | Connected    | 0       | Connect     |    |    |    |    |    |    |    |    |    |    |    |    |    |    |    |    |    |   |   |   |   |   |   |   |   |   |   |

### 35.10.10 PSEL.RXD

Address offset: 0x514

Pin select for RXD signal

| Bit number       | 31 | 30      | 29           | 28      | 27          | 26 | 25 | 24 | 23 | 22 | 21 | 20 | 19 | 18 | 17 | 16 | 15 | 14 | 13 | 12 | 11 | 10 | 9 | 8 | 7 | 6 | 5 | 4 | 3 | 2 | 1 | 0 |
|------------------|----|---------|--------------|---------|-------------|----|----|----|----|----|----|----|----|----|----|----|----|----|----|----|----|----|---|---|---|---|---|---|---|---|---|---|
| Id               | B  |         |              |         |             |    |    |    |    |    |    |    |    |    |    |    |    |    |    |    |    |    |   |   |   |   |   |   |   |   |   |   |
| Reset 0xFFFFFFFF | 1  | 1       | 1            | 1       | 1           | 1  | 1  | 1  | 1  | 1  | 1  | 1  | 1  | 1  | 1  | 1  | 1  | 1  | 1  | 1  | 1  | 1  | 1 | 1 | 1 | 1 | 1 | 1 | 1 | 1 | 1 |   |
| Id               | RW | Field   | Value Id     | Value   | Description |    |    |    |    |    |    |    |    |    |    |    |    |    |    |    |    |    |   |   |   |   |   |   |   |   |   |   |
| A                | RW | PIN     |              | [0..31] | Pin number  |    |    |    |    |    |    |    |    |    |    |    |    |    |    |    |    |    |   |   |   |   |   |   |   |   |   |   |
| B                | RW | CONNECT | Disconnected | 1       | Disconnect  |    |    |    |    |    |    |    |    |    |    |    |    |    |    |    |    |    |   |   |   |   |   |   |   |   |   |   |
|                  |    |         | Connected    | 0       | Connect     |    |    |    |    |    |    |    |    |    |    |    |    |    |    |    |    |    |   |   |   |   |   |   |   |   |   |   |

### 35.10.11 BAUDRATE

Address offset: 0x524

Baud rate. Accuracy depends on the HFCLK source selected.

|                  |    |    |    |    |    |    |    |    |    |    |    |    |    |    |    |    |    |    |    |    |    |    |   |   |   |   |   |   |   |   |   |   |
|------------------|----|----|----|----|----|----|----|----|----|----|----|----|----|----|----|----|----|----|----|----|----|----|---|---|---|---|---|---|---|---|---|---|
| Bit number       | 31 | 30 | 29 | 28 | 27 | 26 | 25 | 24 | 23 | 22 | 21 | 20 | 19 | 18 | 17 | 16 | 15 | 14 | 13 | 12 | 11 | 10 | 9 | 8 | 7 | 6 | 5 | 4 | 3 | 2 | 1 | 0 |
| Id               | A  | A  | A  | A  | A  | A  | A  | A  | A  | A  | A  | A  | A  | A  | A  | A  | A  | A  | A  | A  | A  | A  | A | A | A | A | A | A | A | A | A | A |
| Reset 0x04000000 | 0  | 0  | 0  | 0  | 0  | 1  | 0  | 0  | 0  | 0  | 0  | 0  | 0  | 0  | 0  | 0  | 0  | 0  | 0  | 0  | 0  | 0  | 0 | 0 | 0 | 0 | 0 | 0 | 0 | 0 | 0 | 0 |

| Id | RW | Field    | Value Id   | Value      | Description                       |
|----|----|----------|------------|------------|-----------------------------------|
| A  | RW | BAUDRATE |            |            | Baud rate                         |
|    |    |          | Baud1200   | 0x0004F000 | 1200 baud (actual rate: 1205)     |
|    |    |          | Baud2400   | 0x0009D000 | 2400 baud (actual rate: 2396)     |
|    |    |          | Baud4800   | 0x0013B000 | 4800 baud (actual rate: 4808)     |
|    |    |          | Baud9600   | 0x00275000 | 9600 baud (actual rate: 9598)     |
|    |    |          | Baud14400  | 0x003AF000 | 14400 baud (actual rate: 14401)   |
|    |    |          | Baud19200  | 0x004EA000 | 19200 baud (actual rate: 19208)   |
|    |    |          | Baud28800  | 0x0075C000 | 28800 baud (actual rate: 28777)   |
|    |    |          | Baud38400  | 0x009D0000 | 38400 baud (actual rate: 38369)   |
|    |    |          | Baud57600  | 0x00EB0000 | 57600 baud (actual rate: 57554)   |
|    |    |          | Baud76800  | 0x013A9000 | 76800 baud (actual rate: 76923)   |
|    |    |          | Baud115200 | 0x01D60000 | 115200 baud (actual rate: 115108) |
|    |    |          | Baud230400 | 0x03B00000 | 230400 baud (actual rate: 231884) |
|    |    |          | Baud250000 | 0x04000000 | 250000 baud                       |
|    |    |          | Baud460800 | 0x07400000 | 460800 baud (actual rate: 457143) |
|    |    |          | Baud921600 | 0x0F000000 | 921600 baud (actual rate: 941176) |
|    |    |          | Baud1M     | 0x10000000 | 1Mega baud                        |

### 35.10.12 RXD.PTR

Address offset: 0x534

Data pointer

|                  |    |    |    |    |    |    |    |    |    |    |    |    |    |    |    |    |    |    |    |    |    |    |   |   |   |   |   |   |   |   |   |   |
|------------------|----|----|----|----|----|----|----|----|----|----|----|----|----|----|----|----|----|----|----|----|----|----|---|---|---|---|---|---|---|---|---|---|
| Bit number       | 31 | 30 | 29 | 28 | 27 | 26 | 25 | 24 | 23 | 22 | 21 | 20 | 19 | 18 | 17 | 16 | 15 | 14 | 13 | 12 | 11 | 10 | 9 | 8 | 7 | 6 | 5 | 4 | 3 | 2 | 1 | 0 |
| Id               | A  | A  | A  | A  | A  | A  | A  | A  | A  | A  | A  | A  | A  | A  | A  | A  | A  | A  | A  | A  | A  | A  | A | A | A | A | A | A | A | A | A | A |
| Reset 0x00000000 | 0  | 0  | 0  | 0  | 0  | 0  | 0  | 0  | 0  | 0  | 0  | 0  | 0  | 0  | 0  | 0  | 0  | 0  | 0  | 0  | 0  | 0  | 0 | 0 | 0 | 0 | 0 | 0 | 0 | 0 | 0 | 0 |

| Id | RW | Field | Value Id | Value | Description  |
|----|----|-------|----------|-------|--------------|
| A  | RW | PTR   |          |       | Data pointer |

### 35.10.13 RXD.MAXCNT

Address offset: 0x538

Maximum number of bytes in receive buffer

|                  |    |    |    |    |    |    |    |    |    |    |    |    |    |    |    |    |    |    |    |    |    |    |   |   |   |   |   |   |   |   |   |   |
|------------------|----|----|----|----|----|----|----|----|----|----|----|----|----|----|----|----|----|----|----|----|----|----|---|---|---|---|---|---|---|---|---|---|
| Bit number       | 31 | 30 | 29 | 28 | 27 | 26 | 25 | 24 | 23 | 22 | 21 | 20 | 19 | 18 | 17 | 16 | 15 | 14 | 13 | 12 | 11 | 10 | 9 | 8 | 7 | 6 | 5 | 4 | 3 | 2 | 1 | 0 |
| Id               |    |    |    |    |    |    |    |    |    |    |    |    |    |    |    |    |    |    |    |    |    |    |   |   |   | A | A | A | A | A | A | A |
| Reset 0x00000000 | 0  | 0  | 0  | 0  | 0  | 0  | 0  | 0  | 0  | 0  | 0  | 0  | 0  | 0  | 0  | 0  | 0  | 0  | 0  | 0  | 0  | 0  | 0 | 0 | 0 | 0 | 0 | 0 | 0 | 0 | 0 | 0 |

| Id | RW | Field  | Value Id | Value | Description                               |
|----|----|--------|----------|-------|---|
| A  | RW | MAXCNT |          |       | Maximum number of bytes in receive buffer |

### 35.10.14 RXD.AMOUNT

Address offset: 0x53C

Number of bytes transferred in the last transaction

|                  |    |    |    |    |    |    |    |    |    |    |    |    |    |    |    |    |    |    |    |    |    |    |   |   |   |   |   |   |   |   |   |   |   |
|------------------|----|----|----|----|----|----|----|----|----|----|----|----|----|----|----|----|----|----|----|----|----|----|---|---|---|---|---|---|---|---|---|---|---|
| Bit number       | 31 | 30 | 29 | 28 | 27 | 26 | 25 | 24 | 23 | 22 | 21 | 20 | 19 | 18 | 17 | 16 | 15 | 14 | 13 | 12 | 11 | 10 | 9 | 8 | 7 | 6 | 5 | 4 | 3 | 2 | 1 | 0 |   |
| Id               |    |    |    |    |    |    |    |    |    |    |    |    |    |    |    |    |    |    |    |    |    |    |   |   |   |   | A | A | A | A | A | A | A |
| Reset 0x00000000 | 0  | 0  | 0  | 0  | 0  | 0  | 0  | 0  | 0  | 0  | 0  | 0  | 0  | 0  | 0  | 0  | 0  | 0  | 0  | 0  | 0  | 0  | 0 | 0 | 0 | 0 | 0 | 0 | 0 | 0 | 0 | 0 |   |

| Id | RW | Field  | Value Id | Value | Description   |
|----|----|--------|----------|-------|---|
| A  | R  | AMOUNT |          |       | Number of bytes transferred in the last transaction |

### 35.10.15 TXD.PTR

Address offset: 0x544

Data pointer



| Bit number       | 31 | 30    | 29       | 28    | 27           | 26 | 25 | 24 | 23 | 22 | 21 | 20 | 19 | 18 | 17 | 16 | 15 | 14 | 13 | 12 | 11 | 10 | 9 | 8 | 7 | 6 | 5 | 4 | 3 | 2 | 1 | 0 |
|------------------|----|-------|----------|-------|--------------|----|----|----|----|----|----|----|----|----|----|----|----|----|----|----|----|----|---|---|---|---|---|---|---|---|---|---|
| Id               | A  | A     | A        | A     | A            | A  | A  | A  | A  | A  | A  | A  | A  | A  | A  | A  | A  | A  | A  | A  | A  | A  | A | A | A | A | A | A | A | A | A | A |
| Reset 0x00000000 | 0  | 0     | 0        | 0     | 0            | 0  | 0  | 0  | 0  | 0  | 0  | 0  | 0  | 0  | 0  | 0  | 0  | 0  | 0  | 0  | 0  | 0  | 0 | 0 | 0 | 0 | 0 | 0 | 0 | 0 | 0 | 0 |
| Id               | RW | Field | Value Id | Value | Description  |    |    |    |    |    |    |    |    |    |    |    |    |    |    |    |    |    |   |   |   |   |   |   |   |   |   |   |
| A                | RW | PTR   |          |       | Data pointer |    |    |    |    |    |    |    |    |    |    |    |    |    |    |    |    |    |   |   |   |   |   |   |   |   |   |   |

### 35.10.16 TXD.MAXCNT

Address offset: 0x548

Maximum number of bytes in transmit buffer

| Bit number       | 31 | 30     | 29       | 28    | 27   | 26 | 25 | 24 | 23 | 22 | 21 | 20 | 19 | 18 | 17 | 16 | 15 | 14 | 13 | 12 | 11 | 10 | 9 | 8 | 7 | 6 | 5 | 4 | 3 | 2 | 1 | 0 |
|------------------|----|--------|----------|-------|--|----|----|----|----|----|----|----|----|----|----|----|----|----|----|----|----|----|---|---|---|---|---|---|---|---|---|---|
| Id               |    |        |          |       |  |    |    |    |    |    |    |    |    |    |    |    |    |    |    |    |    |    |   |   | A | A | A | A | A | A | A | A |
| Reset 0x00000000 | 0  | 0      | 0        | 0     | 0  | 0  | 0  | 0  | 0  | 0  | 0  | 0  | 0  | 0  | 0  | 0  | 0  | 0  | 0  | 0  | 0  | 0  | 0 | 0 | 0 | 0 | 0 | 0 | 0 | 0 | 0 | 0 |
| Id               | RW | Field  | Value Id | Value | Description                                |    |    |    |    |    |    |    |    |    |    |    |    |    |    |    |    |    |   |   |   |   |   |   |   |   |   |   |
| A                | RW | MAXCNT |          |       | Maximum number of bytes in transmit buffer |    |    |    |    |    |    |    |    |    |    |    |    |    |    |    |    |    |   |   |   |   |   |   |   |   |   |   |

### 35.10.17 TXD.AMOUNT

Address offset: 0x54C

Number of bytes transferred in the last transaction

| Bit number       | 31 | 30     | 29       | 28    | 27  | 26 | 25 | 24 | 23 | 22 | 21 | 20 | 19 | 18 | 17 | 16 | 15 | 14 | 13 | 12 | 11 | 10 | 9 | 8 | 7 | 6 | 5 | 4 | 3 | 2 | 1 | 0 |   |
|------------------|----|--------|----------|-------|---|----|----|----|----|----|----|----|----|----|----|----|----|----|----|----|----|----|---|---|---|---|---|---|---|---|---|---|---|
| Id               |    |        |          |       |   |    |    |    |    |    |    |    |    |    |    |    |    |    |    |    |    |    |   |   |   | A | A | A | A | A | A | A | A |
| Reset 0x00000000 | 0  | 0      | 0        | 0     | 0   | 0  | 0  | 0  | 0  | 0  | 0  | 0  | 0  | 0  | 0  | 0  | 0  | 0  | 0  | 0  | 0  | 0  | 0 | 0 | 0 | 0 | 0 | 0 | 0 | 0 | 0 | 0 |   |
| Id               | RW | Field  | Value Id | Value | Description   |    |    |    |    |    |    |    |    |    |    |    |    |    |    |    |    |    |   |   |   |   |   |   |   |   |   |   |   |
| A                | R  | AMOUNT |          |       | Number of bytes transferred in the last transaction |    |    |    |    |    |    |    |    |    |    |    |    |    |    |    |    |    |   |   |   |   |   |   |   |   |   |   |   |

### 35.10.18 CONFIG

Address offset: 0x56C

Configuration of parity and hardware flow control

| Bit number       | 31 | 30     | 29       | 28    | 27                 | 26 | 25 | 24 | 23 | 22 | 21 | 20 | 19 | 18 | 17 | 16 | 15 | 14 | 13 | 12 | 11 | 10 | 9 | 8 | 7 | 6 | 5 | 4 | 3 | 2 | 1 | 0 |   |   |   |   |
|------------------|----|--------|----------|-------|--------------------|----|----|----|----|----|----|----|----|----|----|----|----|----|----|----|----|----|---|---|---|---|---|---|---|---|---|---|---|---|---|---|
| Id               |    |        |          |       |                    |    |    |    |    |    |    |    |    |    |    |    |    |    |    |    |    |    |   |   |   |   |   |   |   |   |   |   | B | B | B | A |
| Reset 0x00000000 | 0  | 0      | 0        | 0     | 0                  | 0  | 0  | 0  | 0  | 0  | 0  | 0  | 0  | 0  | 0  | 0  | 0  | 0  | 0  | 0  | 0  | 0  | 0 | 0 | 0 | 0 | 0 | 0 | 0 | 0 | 0 | 0 | 0 | 0 |   |   |
| Id               | RW | Field  | Value Id | Value | Description        |    |    |    |    |    |    |    |    |    |    |    |    |    |    |    |    |    |   |   |   |   |   |   |   |   |   |   |   |   |   |   |
| A                | RW | HWFC   | Disabled | 0     | Disabled           |    |    |    |    |    |    |    |    |    |    |    |    |    |    |    |    |    |   |   |   |   |   |   |   |   |   |   |   |   |   |   |
|                  |    |        | Enabled  | 1     | Enabled            |    |    |    |    |    |    |    |    |    |    |    |    |    |    |    |    |    |   |   |   |   |   |   |   |   |   |   |   |   |   |   |
| B                | RW | PARITY | Excluded | 0x0   | Exclude parity bit |    |    |    |    |    |    |    |    |    |    |    |    |    |    |    |    |    |   |   |   |   |   |   |   |   |   |   |   |   |   |   |
|                  |    |        | Included | 0x7   | Include parity bit |    |    |    |    |    |    |    |    |    |    |    |    |    |    |    |    |    |   |   |   |   |   |   |   |   |   |   |   |   |   |   |

## 35.11 Electrical specification

### 35.11.1 UARTE electrical specification

| Symbol                  | Description                                       | Min. | Typ. | Max. | Units |
|-------------------------|---|------|------|------|-------|
| f <sub>UARTE</sub>      | Baud rate for UARTE <sup>32</sup> .               |      |      | 1000 | kbps  |
| I <sub>UARTE1M</sub>    | Run current at max baud rate.                     |      | 55   |      | µA    |
| I <sub>UARTE115k</sub>  | Run current at 115200 bps.                        |      | 55   |      | µA    |
| I <sub>UARTE1k2</sub>   | Run current at 1200 bps.                          |      | 55   |      | µA    |
| I <sub>UARTE,IDLE</sub> | Idle current for UARTE (STARTed, no XXX activity) |      | 1    |      | µA    |
| t <sub>UARTE,CTSH</sub> | CTS high time                                     | 1    |      |      | µs    |

<sup>32</sup> Higher baud rates may require GPIOs to be set as High Drive, see GPIO chapter for more details.

| Symbol                      | Description   | Min. | Typ.                         | Max. | Units         |
|-----------------------------|---|------|------------------------------|------|---------------|
| $t_{\text{UARTE,START,LP}}$ | Time from STARTRX/STARTTX task to transmission started, low power mode        |      | $t_{\text{UARTE,STAR}}$<br>+ |      | $\mu\text{s}$ |
| $t_{\text{UARTE,START,CL}}$ | Time from STARTRX/STARTTX task to transmission started, constant latency mode |      | $t_{\text{START_HFIN}}$<br>1 |      | $\mu\text{s}$ |

## 36 QDEC — Quadrature decoder

The Quadrature decoder (QDEC) provides buffered decoding of quadrature-encoded sensor signals. It is suitable for mechanical and optical sensors.

The sample period and accumulation are configurable to match application requirements. The QDEC provides the following:

- Decoding of digital waveform from off-chip quadrature encoder.
- Sample accumulation eliminating hard real-time requirements to be enforced on application.
- Optional input de-bounce filters.
- Optional LED output signal for optical encoders.

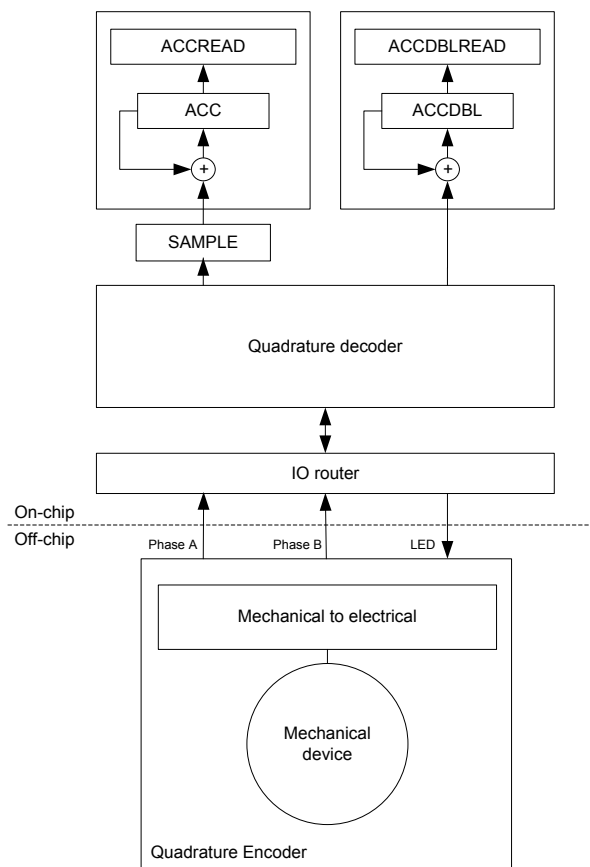


Figure 97: Quadrature decoder configuration

### 36.1 Sampling and decoding

The QDEC decodes the output from an incremental motion encoder by sampling the QDEC phase input pins (A and B).

The off-chip quadrature encoder is an incremental motion encoder outputting two waveforms, phase A and phase B. The two output waveforms are always 90 degrees out of phase, meaning that one always changes level before the other. The direction of movement is indicated by which of these two waveforms that changes level first. Invalid transitions may occur, that is when the two waveforms switch simultaneously. This may occur if the wheel rotates too fast relative to the sample rate set for the decoder.

The QDEC decodes the output from the off-chip encoder by sampling the QDEC phase input pins (A and B) at a fixed rate as specified in the SAMPLEPER register.

If the SAMPLEPER value needs to be changed, the QDEC shall be stopped using the STOP task. SAMPLEPER can be then changed upon receiving the STOPPED event, and QDEC can be restarted using the START task. Failing to do so may result in unpredictable behaviour.

It is good practice to change other registers (LEDPOL, REPORTPER, DBFEN and LEDPRE) only when the QDEC is stopped.

When started, the decoder continuously samples the two input waveforms and decodes these by comparing the current sample pair (n) with the previous sample pair (n-1).

The decoding of the sample pairs is described in the table below.

**Table 83: Sampled value encoding**

| Previous sample pair(n-1) |   | Current samples pair(n) |   | SAMPLE register | ACC operation | ACCCDBL operation | Description                    |
|---------------------------|---|-------------------------|---|-----------------|---------------|-------------------|--------------------------------|
| A                         | B | A                       | B |                 |               |                   |                                |
| 0                         | 0 | 0                       | 0 | 0               | No change     | No change         | No movement                    |
| 0                         | 0 | 0                       | 1 | 1               | Increment     | No change         | Movement in positive direction |
| 0                         | 0 | 1                       | 0 | -1              | Decrement     | No change         | Movement in negative direction |
| 0                         | 0 | 1                       | 1 | 2               | No change     | Increment         | Error: Double transition       |
| 0                         | 1 | 0                       | 0 | -1              | Decrement     | No change         | Movement in negative direction |
| 0                         | 1 | 0                       | 1 | 0               | No change     | No change         | No movement                    |
| 0                         | 1 | 1                       | 0 | 2               | No change     | Increment         | Error: Double transition       |
| 0                         | 1 | 1                       | 1 | 1               | Increment     | No change         | Movement in positive direction |
| 1                         | 0 | 0                       | 0 | 1               | Increment     | No change         | Movement in positive direction |
| 1                         | 0 | 0                       | 1 | 2               | No change     | Increment         | Error: Double transition       |
| 1                         | 0 | 1                       | 0 | 0               | No change     | No change         | No movement                    |
| 1                         | 0 | 1                       | 1 | -1              | Decrement     | No change         | Movement in negative direction |
| 1                         | 1 | 0                       | 0 | 2               | No change     | Increment         | Error: Double transition       |
| 1                         | 1 | 0                       | 1 | -1              | Decrement     | No change         | Movement in negative direction |
| 1                         | 1 | 1                       | 0 | 1               | Increment     | No change         | Movement in positive direction |
| 1                         | 1 | 1                       | 1 | 0               | No change     | No change         | No movement                    |

## 36.2 LED output

The LED output follows the sample period, and the LED is switched on a given period before sampling and switched off immediately after the inputs are sampled. The period the LED is switched on before sampling is given in the LEDPRE register.

The LED output pin polarity is specified in the LEDPOL register.

For using off-chip mechanical encoders not requiring a LED, the LED output can be disabled by writing value 'Disconnected' to the CONNECT field of the PSEL.LED register. In this case the QDEC will not acquire access to a LED output pin and the pin can be used for other purposes by the CPU.

## 36.3 Debounce filters

Each of the two-phase inputs have digital debounce filters.

When enabled through the DBFEN register, the filter inputs are sampled at a fixed 1 MHz frequency during the entire sample period (which is specified in the SAMPLEPER register), and the filters require all of the samples within this sample period to equal before the input signal is accepted and transferred to the output of the filter.

As a result, only input signal with a steady state longer than twice the period specified in SAMPLEPER are guaranteed to pass through the filter, and any signal with a steady state shorter than SAMPLEPER will always be suppressed by the filter. (This is assumed that the frequency during the debounce period never exceeds 500 kHz (as required by the Nyquist theorem when using a 1 MHz sample frequency).

The LED will always be ON when the debounce filters are enabled, as the inputs in this case will be sampled continuously.

Note that when the debounce filters are enabled, displacements reported by the QDEC peripheral are delayed by one SAMPLEPER period.

## 36.4 Accumulators

The quadrature decoder contains two accumulator registers, ACC and ACCDBL, that accumulate respectively valid motion sample values and the number of detected invalid samples (double transitions).

The ACC register will accumulate all valid values (1/-1) written to the SAMPLE register. This can be useful for preventing hard real-time requirements from being enforced on the application. When using the ACC register the application does not need to read every single sample from the SAMPLE register, but can instead fetch the ACC register whenever it fits the application. The ACC register will always hold the relative movement of the external mechanical device since the previous clearing of the ACC register. Sample values indicating a double transition (2) will not be accumulated in the ACC register.

An ACCOF event will be generated if the ACC receives a SAMPLE value that would cause the register to overflow or underflow. Any SAMPLE value that would cause an ACC overflow or underflow will be discarded, but any samples not causing the ACC to overflow or underflow will still be accepted.

The accumulator ACCDBL accumulates the number of detected double transitions since the previous clearing of the ACCDBL register.

The ACC and ACCDBL registers can be cleared by the READCLRACC and subsequently read using the ACCREAD and ACCDBLREAD registers.

The ACC register can be separately cleared by the RDCLRACC and subsequently read using the ACCREAD registers.

The ACCDBL register can be separately cleared by the RDCLRDBL and subsequently read using the ACCDBLREAD registers.

The REPORTPER register allows automating the capture of several samples before it can send out a REPORTRDY event in case a non-null displacement has been captured and accumulated, and a DBLRDY event in case one or more double-displacements have been captured and accumulated. The REPORTPER field in this register selects after how many samples the accumulators contents are evaluated to send (or not) REPORTRDY and DBLRDY events.

Using the RDCLRACC task (manually sent upon receiving the event, or using the DBLRDY\_RDCLRACC shortcut), ACCREAD can then be read.

In case at least one double transition has been captured and accumulated, a DBLRDY event is sent. Using the RDCLRDBL task (manually sent upon receiving the event, or using the DBLRDY\_RDCLRDBL shortcut), ACCDBLREAD can then be read.

## 36.5 Output/input pins

The QDEC uses a three-pin interface to the off-chip quadrature encoder.

These pins will be acquired when the QDEC is enabled in the ENABLE register. The pins acquired by the QDEC cannot be written by the CPU, but they can still be read by the CPU.

The pin numbers to be used for the QDEC are selected using the PSEL.n registers.

## 36.6 Pin configuration

The Phase A, Phase B, and LED signals are mapped to physical pins according to the configuration specified in the PSEL.A, PSEL.B, and PSEL.LED registers respectively.

If the CONNECT field value 'Disconnected' is specified in any of these registers, the associated signal will not be connected to any physical pin. The PSEL.A, PSEL.B, and PSEL.LED registers and their configurations are only used as long as the QDEC is enabled, and retained only as long as the device is in

ON mode. When the peripheral is disabled, the pins will behave as regular GPIOs, and use the configuration in their respective OUT bit field and PIN\_CNF[n] register.

To secure correct behavior in the QDEC, the pins used by the QDEC must be configured in the GPIO peripheral as described in [Table 84: GPIO configuration before enabling peripheral](#) on page 350 before enabling the QDEC. This configuration must be retained in the GPIO for the selected IOs as long as the QDEC is enabled.

Only one peripheral can be assigned to drive a particular GPIO pin at a time. Failing to do so may result in unpredictable behavior.

**Table 84: GPIO configuration before enabling peripheral**

| QDEC signal | QDEC pin                 | Direction | Output value   | Comment |
|-------------|--------------------------|-----------|----------------|---------|
| Phase A     | As specified in PSEL.A   | Input     | Not applicable |         |
| Phase B     | As specified in PSEL.B   | Input     | Not applicable |         |
| LED         | As specified in PSEL.LED | Input     | Not applicable |         |

## 36.7 Registers

**Table 85: Instances**

| Base address | Peripheral | Instance | Description        | Configuration |
|--------------|------------|----------|--------------------|---------------|
| 0x40012000   | QDEC       | QDEC     | Quadrature decoder |               |

**Table 86: Register Overview**

| Register           | Offset | Description   |
|--------------------|--------|---|
| TASKS_START        | 0x000  | Task starting the quadrature decoder  |
| TASKS_STOP         | 0x004  | Task stopping the quadrature decoder  |
| TASKS_READCLRACC   | 0x008  | Read and clear ACC and ACCDBL   |
| TASKS_RDCLRACC     | 0x00C  | Read and clear ACC  |
| TASKS_RDCLRDBL     | 0x010  | Read and clear ACCDBL   |
| EVENTS_SAMPLERDY   | 0x100  | Event being generated for every new sample value written to the SAMPLE register   |
| EVENTS_REPORTRDY   | 0x104  | Non-null report ready   |
| EVENTS_ACCOF       | 0x108  | ACC or ACCDBL register overflow   |
| EVENTS_DBLRDY      | 0x10C  | Double displacement(s) detected   |
| EVENTS_STOPPED     | 0x110  | QDEC has been stopped   |
| <b>SHORTS</b>      | 0x200  | Shortcut register   |
| <b>INTENSET</b>    | 0x304  | Enable interrupt  |
| <b>INTENCLR</b>    | 0x308  | Disable interrupt   |
| <b>ENABLE</b>      | 0x500  | Enable the quadrature decoder   |
| <b>LEDPOL</b>      | 0x504  | LED output pin polarity   |
| <b>SAMPLEPER</b>   | 0x508  | Sample period   |
| <b>SAMPLE</b>      | 0x50C  | Motion sample value   |
| <b>REPORTPER</b>   | 0x510  | Number of samples to be taken before REPORTRDY and DBLRDY events can be generated |
| <b>ACC</b>         | 0x514  | Register accumulating the valid transitions                                       |
| <b>ACCREAD</b>     | 0x518  | Snapshot of the ACC register, updated by the READCLRACC or RDCLRACC task          |
| <b>PSEL.LED</b>    | 0x51C  | Pin select for LED signal   |
| <b>PSEL.A</b>      | 0x520  | Pin select for A signal   |
| <b>PSEL.B</b>      | 0x524  | Pin select for B signal   |
| <b>DBFEN</b>       | 0x528  | Enable input debounce filters   |
| <b>LEDPRE</b>      | 0x540  | Time period the LED is switched ON prior to sampling                              |
| <b>ACCCDBL</b>     | 0x544  | Register accumulating the number of detected double transitions                   |
| <b>ACCCDBLREAD</b> | 0x548  | Snapshot of the ACCDBL, updated by the READCLRACC or RDCLRDBL task                |

### 36.7.1 SHORTS

Address offset: 0x200

Shortcut register

| Bit number       | 31 30 29 28 27 26 25 24 23 22 21 20 19 18 17 16 15 14 13 12 11 10 9 8 7 6 5 4 3 2 1 0 |                      |          |       |   |  |  |  |  |  |  |  |  |  |  |  |  |  |  |  |  |  |  |  |  |  |  |  |   |   |   |   |   |   |   |
|------------------|---|----------------------|----------|-------|---|--|--|--|--|--|--|--|--|--|--|--|--|--|--|--|--|--|--|--|--|--|--|--|---|---|---|---|---|---|---|
| Id               |   |                      |          |       |   |  |  |  |  |  |  |  |  |  |  |  |  |  |  |  |  |  |  |  |  |  |  |  | G | F | E | D | C | B | A |
| Reset 0x00000000 | 0             |                      |          |       |   |  |  |  |  |  |  |  |  |  |  |  |  |  |  |  |  |  |  |  |  |  |  |  |   |   |   |   |   |   |   |
| Id               | RW  | Field                | Value Id | Value | Description   |  |  |  |  |  |  |  |  |  |  |  |  |  |  |  |  |  |  |  |  |  |  |  |   |   |   |   |   |   |   |
| A                | RW  | REPORTRDY_READCLRACC |          |       | Shortcut between REPORTRDY event and READCLRACC task                      |  |  |  |  |  |  |  |  |  |  |  |  |  |  |  |  |  |  |  |  |  |  |  |   |   |   |   |   |   |   |
|                  |   |                      |          |       | See <a href="#">EVENTS_REPORTRDY</a> and <a href="#">TASKS_READCLRACC</a> |  |  |  |  |  |  |  |  |  |  |  |  |  |  |  |  |  |  |  |  |  |  |  |   |   |   |   |   |   |   |
|                  |   |                      | Disabled | 0     | Disable shortcut  |  |  |  |  |  |  |  |  |  |  |  |  |  |  |  |  |  |  |  |  |  |  |  |   |   |   |   |   |   |   |
|                  |   |                      | Enabled  | 1     | Enable shortcut   |  |  |  |  |  |  |  |  |  |  |  |  |  |  |  |  |  |  |  |  |  |  |  |   |   |   |   |   |   |   |
| B                | RW  | SAMPLERDY_STOP       |          |       | Shortcut between SAMPLERDY event and STOP task                            |  |  |  |  |  |  |  |  |  |  |  |  |  |  |  |  |  |  |  |  |  |  |  |   |   |   |   |   |   |   |
|                  |   |                      |          |       | See <a href="#">EVENTS_SAMPLERDY</a> and <a href="#">TASKS_STOP</a>       |  |  |  |  |  |  |  |  |  |  |  |  |  |  |  |  |  |  |  |  |  |  |  |   |   |   |   |   |   |   |
|                  |   |                      | Disabled | 0     | Disable shortcut  |  |  |  |  |  |  |  |  |  |  |  |  |  |  |  |  |  |  |  |  |  |  |  |   |   |   |   |   |   |   |
|                  |   |                      | Enabled  | 1     | Enable shortcut   |  |  |  |  |  |  |  |  |  |  |  |  |  |  |  |  |  |  |  |  |  |  |  |   |   |   |   |   |   |   |
| C                | RW  | REPORTRDY_RDCLRACC   |          |       | Shortcut between REPORTRDY event and RDCLRACC task                        |  |  |  |  |  |  |  |  |  |  |  |  |  |  |  |  |  |  |  |  |  |  |  |   |   |   |   |   |   |   |
|                  |   |                      |          |       | See <a href="#">EVENTS_REPORTRDY</a> and <a href="#">TASKS_RDCLRACC</a>   |  |  |  |  |  |  |  |  |  |  |  |  |  |  |  |  |  |  |  |  |  |  |  |   |   |   |   |   |   |   |
|                  |   |                      | Disabled | 0     | Disable shortcut  |  |  |  |  |  |  |  |  |  |  |  |  |  |  |  |  |  |  |  |  |  |  |  |   |   |   |   |   |   |   |
|                  |   |                      | Enabled  | 1     | Enable shortcut   |  |  |  |  |  |  |  |  |  |  |  |  |  |  |  |  |  |  |  |  |  |  |  |   |   |   |   |   |   |   |
| D                | RW  | REPORTRDY_STOP       |          |       | Shortcut between REPORTRDY event and STOP task                            |  |  |  |  |  |  |  |  |  |  |  |  |  |  |  |  |  |  |  |  |  |  |  |   |   |   |   |   |   |   |
|                  |   |                      |          |       | See <a href="#">EVENTS_REPORTRDY</a> and <a href="#">TASKS_STOP</a>       |  |  |  |  |  |  |  |  |  |  |  |  |  |  |  |  |  |  |  |  |  |  |  |   |   |   |   |   |   |   |
|                  |   |                      | Disabled | 0     | Disable shortcut  |  |  |  |  |  |  |  |  |  |  |  |  |  |  |  |  |  |  |  |  |  |  |  |   |   |   |   |   |   |   |
|                  |   |                      | Enabled  | 1     | Enable shortcut   |  |  |  |  |  |  |  |  |  |  |  |  |  |  |  |  |  |  |  |  |  |  |  |   |   |   |   |   |   |   |
| E                | RW  | DBLRDY_RDCLRDBL      |          |       | Shortcut between DBLRDY event and RDCLRDBL task                           |  |  |  |  |  |  |  |  |  |  |  |  |  |  |  |  |  |  |  |  |  |  |  |   |   |   |   |   |   |   |
|                  |   |                      |          |       | See <a href="#">EVENTS_DBLRDY</a> and <a href="#">TASKS_RDCLRDBL</a>      |  |  |  |  |  |  |  |  |  |  |  |  |  |  |  |  |  |  |  |  |  |  |  |   |   |   |   |   |   |   |
|                  |   |                      | Disabled | 0     | Disable shortcut  |  |  |  |  |  |  |  |  |  |  |  |  |  |  |  |  |  |  |  |  |  |  |  |   |   |   |   |   |   |   |
|                  |   |                      | Enabled  | 1     | Enable shortcut   |  |  |  |  |  |  |  |  |  |  |  |  |  |  |  |  |  |  |  |  |  |  |  |   |   |   |   |   |   |   |
| F                | RW  | DBLRDY_STOP          |          |       | Shortcut between DBLRDY event and STOP task                               |  |  |  |  |  |  |  |  |  |  |  |  |  |  |  |  |  |  |  |  |  |  |  |   |   |   |   |   |   |   |
|                  |   |                      |          |       | See <a href="#">EVENTS_DBLRDY</a> and <a href="#">TASKS_STOP</a>          |  |  |  |  |  |  |  |  |  |  |  |  |  |  |  |  |  |  |  |  |  |  |  |   |   |   |   |   |   |   |
|                  |   |                      | Disabled | 0     | Disable shortcut  |  |  |  |  |  |  |  |  |  |  |  |  |  |  |  |  |  |  |  |  |  |  |  |   |   |   |   |   |   |   |
|                  |   |                      | Enabled  | 1     | Enable shortcut   |  |  |  |  |  |  |  |  |  |  |  |  |  |  |  |  |  |  |  |  |  |  |  |   |   |   |   |   |   |   |
| G                | RW  | SAMPLERDY_READCLRACC |          |       | Shortcut between SAMPLERDY event and READCLRACC task                      |  |  |  |  |  |  |  |  |  |  |  |  |  |  |  |  |  |  |  |  |  |  |  |   |   |   |   |   |   |   |
|                  |   |                      |          |       | See <a href="#">EVENTS_SAMPLERDY</a> and <a href="#">TASKS_READCLRACC</a> |  |  |  |  |  |  |  |  |  |  |  |  |  |  |  |  |  |  |  |  |  |  |  |   |   |   |   |   |   |   |
|                  |   |                      | Disabled | 0     | Disable shortcut  |  |  |  |  |  |  |  |  |  |  |  |  |  |  |  |  |  |  |  |  |  |  |  |   |   |   |   |   |   |   |
|                  |   |                      | Enabled  | 1     | Enable shortcut   |  |  |  |  |  |  |  |  |  |  |  |  |  |  |  |  |  |  |  |  |  |  |  |   |   |   |   |   |   |   |

### 36.7.2 INTENSET

Address offset: 0x304

Enable interrupt

| Bit number       | 31 30 29 28 27 26 25 24 23 22 21 20 19 18 17 16 15 14 13 12 11 10 9 8 7 6 5 4 3 2 1 0 |           |          |       |   |  |  |  |  |  |  |  |  |  |  |  |  |  |  |  |  |  |  |  |  |  |  |  |   |   |   |   |   |
|------------------|---|-----------|----------|-------|---|--|--|--|--|--|--|--|--|--|--|--|--|--|--|--|--|--|--|--|--|--|--|--|---|---|---|---|---|
| Id               |   |           |          |       |   |  |  |  |  |  |  |  |  |  |  |  |  |  |  |  |  |  |  |  |  |  |  |  | E | D | C | B | A |
| Reset 0x00000000 | 0             |           |          |       |   |  |  |  |  |  |  |  |  |  |  |  |  |  |  |  |  |  |  |  |  |  |  |  |   |   |   |   |   |
| Id               | RW  | Field     | Value Id | Value | Description                                       |  |  |  |  |  |  |  |  |  |  |  |  |  |  |  |  |  |  |  |  |  |  |  |   |   |   |   |   |
| A                | RW  | SAMPLERDY |          |       | Write '1' to Enable interrupt for SAMPLERDY event |  |  |  |  |  |  |  |  |  |  |  |  |  |  |  |  |  |  |  |  |  |  |  |   |   |   |   |   |
|                  |   |           |          |       | See <a href="#">EVENTS_SAMPLERDY</a>              |  |  |  |  |  |  |  |  |  |  |  |  |  |  |  |  |  |  |  |  |  |  |  |   |   |   |   |   |
|                  |   |           | Set      | 1     | Enable  |  |  |  |  |  |  |  |  |  |  |  |  |  |  |  |  |  |  |  |  |  |  |  |   |   |   |   |   |
|                  |   |           | Disabled | 0     | Read: Disabled                                    |  |  |  |  |  |  |  |  |  |  |  |  |  |  |  |  |  |  |  |  |  |  |  |   |   |   |   |   |
|                  |   |           | Enabled  | 1     | Read: Enabled                                     |  |  |  |  |  |  |  |  |  |  |  |  |  |  |  |  |  |  |  |  |  |  |  |   |   |   |   |   |
| B                | RW  | REPORTRDY |          |       | Write '1' to Enable interrupt for REPORTRDY event |  |  |  |  |  |  |  |  |  |  |  |  |  |  |  |  |  |  |  |  |  |  |  |   |   |   |   |   |
|                  |   |           |          |       | See <a href="#">EVENTS_REPORTRDY</a>              |  |  |  |  |  |  |  |  |  |  |  |  |  |  |  |  |  |  |  |  |  |  |  |   |   |   |   |   |
|                  |   |           | Set      | 1     | Enable  |  |  |  |  |  |  |  |  |  |  |  |  |  |  |  |  |  |  |  |  |  |  |  |   |   |   |   |   |
|                  |   |           | Disabled | 0     | Read: Disabled                                    |  |  |  |  |  |  |  |  |  |  |  |  |  |  |  |  |  |  |  |  |  |  |  |   |   |   |   |   |
|                  |   |           | Enabled  | 1     | Read: Enabled                                     |  |  |  |  |  |  |  |  |  |  |  |  |  |  |  |  |  |  |  |  |  |  |  |   |   |   |   |   |
| C                | RW  | ACCOF     |          |       | Write '1' to Enable interrupt for ACCOF event     |  |  |  |  |  |  |  |  |  |  |  |  |  |  |  |  |  |  |  |  |  |  |  |   |   |   |   |   |
|                  |   |           |          |       | See <a href="#">EVENTS_ACCOF</a>                  |  |  |  |  |  |  |  |  |  |  |  |  |  |  |  |  |  |  |  |  |  |  |  |   |   |   |   |   |
|                  |   |           | Set      | 1     | Enable  |  |  |  |  |  |  |  |  |  |  |  |  |  |  |  |  |  |  |  |  |  |  |  |   |   |   |   |   |

| Bit number       | 31 30 29 28 27 26 25 24 23 22 21 20 19 18 17 16 15 14 13 12 11 10 9 8 7 6 5 4 3 2 1 0 |         |          |    |       |   |  |  |  |  |  |  |  |  |  |  |  |  |  |  |  |  |  |  |  |  |  |  |   |   |   |   |   |
|------------------|---|---------|----------|----|-------|---|--|--|--|--|--|--|--|--|--|--|--|--|--|--|--|--|--|--|--|--|--|--|---|---|---|---|---|
| Id               |   |         |          |    |       |   |  |  |  |  |  |  |  |  |  |  |  |  |  |  |  |  |  |  |  |  |  |  | E | D | C | B | A |
| Reset 0x00000000 | 0             |         |          |    |       |   |  |  |  |  |  |  |  |  |  |  |  |  |  |  |  |  |  |  |  |  |  |  |   |   |   |   |   |
| Id               | RW  | Field   | Value    | Id | Value | Description                                     |  |  |  |  |  |  |  |  |  |  |  |  |  |  |  |  |  |  |  |  |  |  |   |   |   |   |   |
|                  |   |         | Disabled |    | 0     | Read: Disabled                                  |  |  |  |  |  |  |  |  |  |  |  |  |  |  |  |  |  |  |  |  |  |  |   |   |   |   |   |
|                  |   |         | Enabled  |    | 1     | Read: Enabled                                   |  |  |  |  |  |  |  |  |  |  |  |  |  |  |  |  |  |  |  |  |  |  |   |   |   |   |   |
| D                | RW  | DBLRDY  |          |    |       | Write '1' to Enable interrupt for DBLRDY event  |  |  |  |  |  |  |  |  |  |  |  |  |  |  |  |  |  |  |  |  |  |  |   |   |   |   |   |
|                  |   |         |          |    |       | See <a href="#">EVENTS_DBLRDY</a>               |  |  |  |  |  |  |  |  |  |  |  |  |  |  |  |  |  |  |  |  |  |  |   |   |   |   |   |
|                  |   |         | Set      |    | 1     | Enable  |  |  |  |  |  |  |  |  |  |  |  |  |  |  |  |  |  |  |  |  |  |  |   |   |   |   |   |
|                  |   |         | Disabled |    | 0     | Read: Disabled                                  |  |  |  |  |  |  |  |  |  |  |  |  |  |  |  |  |  |  |  |  |  |  |   |   |   |   |   |
|                  |   |         | Enabled  |    | 1     | Read: Enabled                                   |  |  |  |  |  |  |  |  |  |  |  |  |  |  |  |  |  |  |  |  |  |  |   |   |   |   |   |
| E                | RW  | STOPPED |          |    |       | Write '1' to Enable interrupt for STOPPED event |  |  |  |  |  |  |  |  |  |  |  |  |  |  |  |  |  |  |  |  |  |  |   |   |   |   |   |
|                  |   |         |          |    |       | See <a href="#">EVENTS_STOPPED</a>              |  |  |  |  |  |  |  |  |  |  |  |  |  |  |  |  |  |  |  |  |  |  |   |   |   |   |   |
|                  |   |         | Set      |    | 1     | Enable  |  |  |  |  |  |  |  |  |  |  |  |  |  |  |  |  |  |  |  |  |  |  |   |   |   |   |   |
|                  |   |         | Disabled |    | 0     | Read: Disabled                                  |  |  |  |  |  |  |  |  |  |  |  |  |  |  |  |  |  |  |  |  |  |  |   |   |   |   |   |
|                  |   |         | Enabled  |    | 1     | Read: Enabled                                   |  |  |  |  |  |  |  |  |  |  |  |  |  |  |  |  |  |  |  |  |  |  |   |   |   |   |   |

### 36.7.3 INTENCLR

Address offset: 0x308

Disable interrupt

| Bit number       | 31 30 29 28 27 26 25 24 23 22 21 20 19 18 17 16 15 14 13 12 11 10 9 8 7 6 5 4 3 2 1 0 |           |          |    |       |  |  |  |  |  |  |  |  |  |  |  |  |  |  |  |  |  |  |  |  |  |  |  |   |   |   |   |   |
|------------------|---|-----------|----------|----|-------|--|--|--|--|--|--|--|--|--|--|--|--|--|--|--|--|--|--|--|--|--|--|--|---|---|---|---|---|
| Id               |   |           |          |    |       |  |  |  |  |  |  |  |  |  |  |  |  |  |  |  |  |  |  |  |  |  |  |  | E | D | C | B | A |
| Reset 0x00000000 | 0             |           |          |    |       |  |  |  |  |  |  |  |  |  |  |  |  |  |  |  |  |  |  |  |  |  |  |  |   |   |   |   |   |
| Id               | RW  | Field     | Value    | Id | Value | Description  |  |  |  |  |  |  |  |  |  |  |  |  |  |  |  |  |  |  |  |  |  |  |   |   |   |   |   |
| A                | RW  | SAMPLERDY |          |    |       | Write '1' to Disable interrupt for SAMPLERDY event |  |  |  |  |  |  |  |  |  |  |  |  |  |  |  |  |  |  |  |  |  |  |   |   |   |   |   |
|                  |   |           |          |    |       | See <a href="#">EVENTS_SAMPLERDY</a>               |  |  |  |  |  |  |  |  |  |  |  |  |  |  |  |  |  |  |  |  |  |  |   |   |   |   |   |
|                  |   |           | Clear    |    | 1     | Disable  |  |  |  |  |  |  |  |  |  |  |  |  |  |  |  |  |  |  |  |  |  |  |   |   |   |   |   |
|                  |   |           | Disabled |    | 0     | Read: Disabled                                     |  |  |  |  |  |  |  |  |  |  |  |  |  |  |  |  |  |  |  |  |  |  |   |   |   |   |   |
|                  |   |           | Enabled  |    | 1     | Read: Enabled                                      |  |  |  |  |  |  |  |  |  |  |  |  |  |  |  |  |  |  |  |  |  |  |   |   |   |   |   |
| B                | RW  | REPORTRDY |          |    |       | Write '1' to Disable interrupt for REPORTRDY event |  |  |  |  |  |  |  |  |  |  |  |  |  |  |  |  |  |  |  |  |  |  |   |   |   |   |   |
|                  |   |           |          |    |       | See <a href="#">EVENTS_REPORTRDY</a>               |  |  |  |  |  |  |  |  |  |  |  |  |  |  |  |  |  |  |  |  |  |  |   |   |   |   |   |
|                  |   |           | Clear    |    | 1     | Disable  |  |  |  |  |  |  |  |  |  |  |  |  |  |  |  |  |  |  |  |  |  |  |   |   |   |   |   |
|                  |   |           | Disabled |    | 0     | Read: Disabled                                     |  |  |  |  |  |  |  |  |  |  |  |  |  |  |  |  |  |  |  |  |  |  |   |   |   |   |   |
|                  |   |           | Enabled  |    | 1     | Read: Enabled                                      |  |  |  |  |  |  |  |  |  |  |  |  |  |  |  |  |  |  |  |  |  |  |   |   |   |   |   |
| C                | RW  | ACCOF     |          |    |       | Write '1' to Disable interrupt for ACCOF event     |  |  |  |  |  |  |  |  |  |  |  |  |  |  |  |  |  |  |  |  |  |  |   |   |   |   |   |
|                  |   |           |          |    |       | See <a href="#">EVENTS_ACCOF</a>                   |  |  |  |  |  |  |  |  |  |  |  |  |  |  |  |  |  |  |  |  |  |  |   |   |   |   |   |
|                  |   |           | Clear    |    | 1     | Disable  |  |  |  |  |  |  |  |  |  |  |  |  |  |  |  |  |  |  |  |  |  |  |   |   |   |   |   |
|                  |   |           | Disabled |    | 0     | Read: Disabled                                     |  |  |  |  |  |  |  |  |  |  |  |  |  |  |  |  |  |  |  |  |  |  |   |   |   |   |   |
|                  |   |           | Enabled  |    | 1     | Read: Enabled                                      |  |  |  |  |  |  |  |  |  |  |  |  |  |  |  |  |  |  |  |  |  |  |   |   |   |   |   |
| D                | RW  | DBLRDY    |          |    |       | Write '1' to Disable interrupt for DBLRDY event    |  |  |  |  |  |  |  |  |  |  |  |  |  |  |  |  |  |  |  |  |  |  |   |   |   |   |   |
|                  |   |           |          |    |       | See <a href="#">EVENTS_DBLRDY</a>                  |  |  |  |  |  |  |  |  |  |  |  |  |  |  |  |  |  |  |  |  |  |  |   |   |   |   |   |
|                  |   |           | Clear    |    | 1     | Disable  |  |  |  |  |  |  |  |  |  |  |  |  |  |  |  |  |  |  |  |  |  |  |   |   |   |   |   |
|                  |   |           | Disabled |    | 0     | Read: Disabled                                     |  |  |  |  |  |  |  |  |  |  |  |  |  |  |  |  |  |  |  |  |  |  |   |   |   |   |   |
|                  |   |           | Enabled  |    | 1     | Read: Enabled                                      |  |  |  |  |  |  |  |  |  |  |  |  |  |  |  |  |  |  |  |  |  |  |   |   |   |   |   |
| E                | RW  | STOPPED   |          |    |       | Write '1' to Disable interrupt for STOPPED event   |  |  |  |  |  |  |  |  |  |  |  |  |  |  |  |  |  |  |  |  |  |  |   |   |   |   |   |
|                  |   |           |          |    |       | See <a href="#">EVENTS_STOPPED</a>                 |  |  |  |  |  |  |  |  |  |  |  |  |  |  |  |  |  |  |  |  |  |  |   |   |   |   |   |
|                  |   |           | Clear    |    | 1     | Disable  |  |  |  |  |  |  |  |  |  |  |  |  |  |  |  |  |  |  |  |  |  |  |   |   |   |   |   |
|                  |   |           | Disabled |    | 0     | Read: Disabled                                     |  |  |  |  |  |  |  |  |  |  |  |  |  |  |  |  |  |  |  |  |  |  |   |   |   |   |   |
|                  |   |           | Enabled  |    | 1     | Read: Enabled                                      |  |  |  |  |  |  |  |  |  |  |  |  |  |  |  |  |  |  |  |  |  |  |   |   |   |   |   |

### 36.7.4 ENABLE

Address offset: 0x500

Enable the quadrature decoder



| Bit number       | 31 30 29 28 27 26 25 24 23 22 21 20 19 18 17 16 15 14 13 12 11 10 9 8 7 6 5 4 3 2 1 0 |        |          |       |  |  |  |  |  |  |  |  |  |  |  |  |  |  |  |  |  |  |  |  |  |  |  |  |  |  |  |
|------------------|---|--------|----------|-------|--|--|--|--|--|--|--|--|--|--|--|--|--|--|--|--|--|--|--|--|--|--|--|--|--|--|--|
| Id               | A   |        |          |       |  |  |  |  |  |  |  |  |  |  |  |  |  |  |  |  |  |  |  |  |  |  |  |  |  |  |  |
| Reset 0x00000000 | 0             |        |          |       |  |  |  |  |  |  |  |  |  |  |  |  |  |  |  |  |  |  |  |  |  |  |  |  |  |  |  |
| Id               | RW  | Field  | Value Id | Value | Description                              |  |  |  |  |  |  |  |  |  |  |  |  |  |  |  |  |  |  |  |  |  |  |  |  |  |  |
| A                | RW  | ENABLE |          |       | Enable or disable the quadrature decoder |  |  |  |  |  |  |  |  |  |  |  |  |  |  |  |  |  |  |  |  |  |  |  |  |  |  |
|                  |   |        | Disabled | 0     | Disable                                  |  |  |  |  |  |  |  |  |  |  |  |  |  |  |  |  |  |  |  |  |  |  |  |  |  |  |
|                  |   |        | Enabled  | 1     | Enable                                   |  |  |  |  |  |  |  |  |  |  |  |  |  |  |  |  |  |  |  |  |  |  |  |  |  |  |

When enabled the decoder pins will be active. When disabled the quadrature decoder pins are not active and can be used as GPIO .

### 36.7.5 LEDPOL

Address offset: 0x504

LED output pin polarity

| Bit number       | 31 30 29 28 27 26 25 24 23 22 21 20 19 18 17 16 15 14 13 12 11 10 9 8 7 6 5 4 3 2 1 0 |        |            |       |                               |  |  |  |  |  |  |  |  |  |  |  |  |  |  |  |  |  |  |  |  |  |  |  |  |  |  |
|------------------|---|--------|------------|-------|-------------------------------|--|--|--|--|--|--|--|--|--|--|--|--|--|--|--|--|--|--|--|--|--|--|--|--|--|--|
| Id               | A   |        |            |       |                               |  |  |  |  |  |  |  |  |  |  |  |  |  |  |  |  |  |  |  |  |  |  |  |  |  |  |
| Reset 0x00000000 | 0             |        |            |       |                               |  |  |  |  |  |  |  |  |  |  |  |  |  |  |  |  |  |  |  |  |  |  |  |  |  |  |
| Id               | RW  | Field  | Value Id   | Value | Description                   |  |  |  |  |  |  |  |  |  |  |  |  |  |  |  |  |  |  |  |  |  |  |  |  |  |  |
| A                | RW  | LEDPOL |            |       | LED output pin polarity       |  |  |  |  |  |  |  |  |  |  |  |  |  |  |  |  |  |  |  |  |  |  |  |  |  |  |
|                  |   |        | ActiveLow  | 0     | Led active on output pin low  |  |  |  |  |  |  |  |  |  |  |  |  |  |  |  |  |  |  |  |  |  |  |  |  |  |  |
|                  |   |        | ActiveHigh | 1     | Led active on output pin high |  |  |  |  |  |  |  |  |  |  |  |  |  |  |  |  |  |  |  |  |  |  |  |  |  |  |

### 36.7.6 SAMPLEPER

Address offset: 0x508

Sample period

| Bit number       | 31 30 29 28 27 26 25 24 23 22 21 20 19 18 17 16 15 14 13 12 11 10 9 8 7 6 5 4 3 2 1 0 |           |          |       |   |  |  |  |  |  |  |  |  |  |  |  |  |  |  |  |  |  |  |  |  |  |  |  |  |  |  |
|------------------|---|-----------|----------|-------|---|--|--|--|--|--|--|--|--|--|--|--|--|--|--|--|--|--|--|--|--|--|--|--|--|--|--|
| Id               | A A A A   |           |          |       |   |  |  |  |  |  |  |  |  |  |  |  |  |  |  |  |  |  |  |  |  |  |  |  |  |  |  |
| Reset 0x00000000 | 0             |           |          |       |   |  |  |  |  |  |  |  |  |  |  |  |  |  |  |  |  |  |  |  |  |  |  |  |  |  |  |
| Id               | RW  | Field     | Value Id | Value | Description   |  |  |  |  |  |  |  |  |  |  |  |  |  |  |  |  |  |  |  |  |  |  |  |  |  |  |
| A                | RW  | SAMPLEPER |          |       | Sample period. The SAMPLE register will be updated for every new sample |  |  |  |  |  |  |  |  |  |  |  |  |  |  |  |  |  |  |  |  |  |  |  |  |  |  |
|                  |   |           | 128us    | 0     | 128 us  |  |  |  |  |  |  |  |  |  |  |  |  |  |  |  |  |  |  |  |  |  |  |  |  |  |  |
|                  |   |           | 256us    | 1     | 256 us  |  |  |  |  |  |  |  |  |  |  |  |  |  |  |  |  |  |  |  |  |  |  |  |  |  |  |
|                  |   |           | 512us    | 2     | 512 us  |  |  |  |  |  |  |  |  |  |  |  |  |  |  |  |  |  |  |  |  |  |  |  |  |  |  |
|                  |   |           | 1024us   | 3     | 1024 us   |  |  |  |  |  |  |  |  |  |  |  |  |  |  |  |  |  |  |  |  |  |  |  |  |  |  |
|                  |   |           | 2048us   | 4     | 2048 us   |  |  |  |  |  |  |  |  |  |  |  |  |  |  |  |  |  |  |  |  |  |  |  |  |  |  |
|                  |   |           | 4096us   | 5     | 4096 us   |  |  |  |  |  |  |  |  |  |  |  |  |  |  |  |  |  |  |  |  |  |  |  |  |  |  |
|                  |   |           | 8192us   | 6     | 8192 us   |  |  |  |  |  |  |  |  |  |  |  |  |  |  |  |  |  |  |  |  |  |  |  |  |  |  |
|                  |   |           | 16384us  | 7     | 16384 us  |  |  |  |  |  |  |  |  |  |  |  |  |  |  |  |  |  |  |  |  |  |  |  |  |  |  |
|                  |   |           | 32ms     | 8     | 32768 us  |  |  |  |  |  |  |  |  |  |  |  |  |  |  |  |  |  |  |  |  |  |  |  |  |  |  |
|                  |   |           | 65ms     | 9     | 65536 us  |  |  |  |  |  |  |  |  |  |  |  |  |  |  |  |  |  |  |  |  |  |  |  |  |  |  |
|                  |   |           | 131ms    | 10    | 131072 us   |  |  |  |  |  |  |  |  |  |  |  |  |  |  |  |  |  |  |  |  |  |  |  |  |  |  |

### 36.7.7 SAMPLE

Address offset: 0x50C

Motion sample value

| Bit number       | 31 30 29 28 27 26 25 24 23 22 21 20 19 18 17 16 15 14 13 12 11 10 9 8 7 6 5 4 3 2 1 0 |        |          |         |                    |  |  |  |  |  |  |  |  |  |  |  |  |  |  |  |  |  |  |  |  |  |  |  |  |  |  |
|------------------|---|--------|----------|---------|--------------------|--|--|--|--|--|--|--|--|--|--|--|--|--|--|--|--|--|--|--|--|--|--|--|--|--|--|
| Id               | A                   |        |          |         |                    |  |  |  |  |  |  |  |  |  |  |  |  |  |  |  |  |  |  |  |  |  |  |  |  |  |  |
| Reset 0x00000000 | 0             |        |          |         |                    |  |  |  |  |  |  |  |  |  |  |  |  |  |  |  |  |  |  |  |  |  |  |  |  |  |  |
| Id               | RW  | Field  | Value Id | Value   | Description        |  |  |  |  |  |  |  |  |  |  |  |  |  |  |  |  |  |  |  |  |  |  |  |  |  |  |
| A                | R   | SAMPLE |          | [-1..2] | Last motion sample |  |  |  |  |  |  |  |  |  |  |  |  |  |  |  |  |  |  |  |  |  |  |  |  |  |  |

|                  |    |    |    |    |    |    |    |    |    |    |    |    |    |    |    |    |    |    |    |    |    |    |   |   |   |   |   |   |   |   |   |   |   |
|------------------|----|----|----|----|----|----|----|----|----|----|----|----|----|----|----|----|----|----|----|----|----|----|---|---|---|---|---|---|---|---|---|---|---|
| Bit number       | 31 | 30 | 29 | 28 | 27 | 26 | 25 | 24 | 23 | 22 | 21 | 20 | 19 | 18 | 17 | 16 | 15 | 14 | 13 | 12 | 11 | 10 | 9 | 8 | 7 | 6 | 5 | 4 | 3 | 2 | 1 | 0 |   |
| Id               | A  | A  | A  | A  | A  | A  | A  | A  | A  | A  | A  | A  | A  | A  | A  | A  | A  | A  | A  | A  | A  | A  | A | A | A | A | A | A | A | A | A | A | A |
| Reset 0x00000000 | 0  | 0  | 0  | 0  | 0  | 0  | 0  | 0  | 0  | 0  | 0  | 0  | 0  | 0  | 0  | 0  | 0  | 0  | 0  | 0  | 0  | 0  | 0 | 0 | 0 | 0 | 0 | 0 | 0 | 0 | 0 | 0 | 0 |

| Id | RW | Field | Value Id | Value | Description   |
|----|----|-------|----------|-------|---|
|    |    |       |          |       | The value is a 2's complement value, and the sign gives the direction of the motion. The value '2' indicates a double transition. |

### 36.7.8 REPORTPER

Address offset: 0x510

Number of samples to be taken before REPORTRDY and DBLRDY events can be generated

|                  |    |    |    |    |    |    |    |    |    |    |    |    |    |    |    |    |    |    |    |    |    |    |   |   |   |   |   |   |   |   |   |   |   |   |   |
|------------------|----|----|----|----|----|----|----|----|----|----|----|----|----|----|----|----|----|----|----|----|----|----|---|---|---|---|---|---|---|---|---|---|---|---|---|
| Bit number       | 31 | 30 | 29 | 28 | 27 | 26 | 25 | 24 | 23 | 22 | 21 | 20 | 19 | 18 | 17 | 16 | 15 | 14 | 13 | 12 | 11 | 10 | 9 | 8 | 7 | 6 | 5 | 4 | 3 | 2 | 1 | 0 |   |   |   |
| Id               |    |    |    |    |    |    |    |    |    |    |    |    |    |    |    |    |    |    |    |    |    |    |   |   |   |   |   |   |   |   |   | A | A | A | A |
| Reset 0x00000000 | 0  | 0  | 0  | 0  | 0  | 0  | 0  | 0  | 0  | 0  | 0  | 0  | 0  | 0  | 0  | 0  | 0  | 0  | 0  | 0  | 0  | 0  | 0 | 0 | 0 | 0 | 0 | 0 | 0 | 0 | 0 | 0 | 0 | 0 |   |

| Id | RW | Field     | Value Id | Value | Description   |
|----|----|-----------|----------|-------|---|
| A  | RW | REPORTPER |          |       | Specifies the number of samples to be accumulated in the ACC register before the REPORTRDY and DBLRDY events can be generated   |
|    |    |           |          |       | The report period in [us] is given as: $RPUS = SP * RP$ Where RPUS is the report period in [us/report], SP is the sample period in [us/sample] specified in SAMPLEPER, and RP is the report period in [samples/report] specified in REPORTPER . |
|    |    |           | 10Smpl   | 0     | 10 samples / report   |
|    |    |           | 40Smpl   | 1     | 40 samples / report   |
|    |    |           | 80Smpl   | 2     | 80 samples / report   |
|    |    |           | 120Smpl  | 3     | 120 samples / report  |
|    |    |           | 160Smpl  | 4     | 160 samples / report  |
|    |    |           | 200Smpl  | 5     | 200 samples / report  |
|    |    |           | 240Smpl  | 6     | 240 samples / report  |
|    |    |           | 280Smpl  | 7     | 280 samples / report  |
|    |    |           | 1Smpl    | 8     | 1 sample / report   |

### 36.7.9 ACC

Address offset: 0x514

Register accumulating the valid transitions

|                  |    |    |    |    |    |    |    |    |    |    |    |    |    |    |    |    |    |    |    |    |    |    |   |   |   |   |   |   |   |   |   |   |   |
|------------------|----|----|----|----|----|----|----|----|----|----|----|----|----|----|----|----|----|----|----|----|----|----|---|---|---|---|---|---|---|---|---|---|---|
| Bit number       | 31 | 30 | 29 | 28 | 27 | 26 | 25 | 24 | 23 | 22 | 21 | 20 | 19 | 18 | 17 | 16 | 15 | 14 | 13 | 12 | 11 | 10 | 9 | 8 | 7 | 6 | 5 | 4 | 3 | 2 | 1 | 0 |   |
| Id               | A  | A  | A  | A  | A  | A  | A  | A  | A  | A  | A  | A  | A  | A  | A  | A  | A  | A  | A  | A  | A  | A  | A | A | A | A | A | A | A | A | A | A | A |
| Reset 0x00000000 | 0  | 0  | 0  | 0  | 0  | 0  | 0  | 0  | 0  | 0  | 0  | 0  | 0  | 0  | 0  | 0  | 0  | 0  | 0  | 0  | 0  | 0  | 0 | 0 | 0 | 0 | 0 | 0 | 0 | 0 | 0 | 0 | 0 |

| Id | RW | Field | Value Id | Value         | Description   |
|----|----|-------|----------|---------------|---|
| A  | R  | ACC   |          | [-1024..1023] | Register accumulating all valid samples (not double transition) read from the SAMPLE register   |
|    |    |       |          |               | Double transitions ( SAMPLE = 2 ) will not be accumulated in this register. The value is a 32 bit 2's complement value. If a sample that would cause this register to overflow or underflow is received, the sample will be ignored and an overflow event ( ACCOF ) will be generated. The ACC register is cleared by triggering the READCLRACC or the RDCLRACC task. |

### 36.7.10 ACCREAD

Address offset: 0x518

Snapshot of the ACC register, updated by the READCLRACC or RDCLRACC task

| Bit number       | 31 | 30      | 29       | 28            | 27   | 26 | 25 | 24 | 23 | 22 | 21 | 20 | 19 | 18 | 17 | 16 | 15 | 14 | 13 | 12 | 11 | 10 | 9 | 8 | 7 | 6 | 5 | 4 | 3 | 2 | 1 | 0 |   |
|------------------|----|---------|----------|---------------|--|----|----|----|----|----|----|----|----|----|----|----|----|----|----|----|----|----|---|---|---|---|---|---|---|---|---|---|---|
| Id               | A  | A       | A        | A             | A  | A  | A  | A  | A  | A  | A  | A  | A  | A  | A  | A  | A  | A  | A  | A  | A  | A  | A | A | A | A | A | A | A | A | A | A | A |
| Reset 0x00000000 | 0  | 0       | 0        | 0             | 0  | 0  | 0  | 0  | 0  | 0  | 0  | 0  | 0  | 0  | 0  | 0  | 0  | 0  | 0  | 0  | 0  | 0  | 0 | 0 | 0 | 0 | 0 | 0 | 0 | 0 | 0 | 0 |   |
| Id               | RW | Field   | Value Id | Value         | Description  |    |    |    |    |    |    |    |    |    |    |    |    |    |    |    |    |    |   |   |   |   |   |   |   |   |   |   |   |
| A                | R  | ACCREAD |          | [-1024..1023] | Snapshot of the ACC register.<br><br>The ACCREAD register is updated when the READCLRACC or RDCLRACC task is triggered |    |    |    |    |    |    |    |    |    |    |    |    |    |    |    |    |    |   |   |   |   |   |   |   |   |   |   |   |

### 36.7.11 PSEL.LED

Address offset: 0x51C

Pin select for LED signal

| Bit number       | 31 | 30      | 29           | 28      | 27          | 26 | 25 | 24 | 23 | 22 | 21 | 20 | 19 | 18 | 17 | 16 | 15 | 14 | 13 | 12 | 11 | 10 | 9 | 8 | 7 | 6 | 5 | 4 | 3 | 2 | 1 | 0 |   |   |   |
|------------------|----|---------|--------------|---------|-------------|----|----|----|----|----|----|----|----|----|----|----|----|----|----|----|----|----|---|---|---|---|---|---|---|---|---|---|---|---|---|
| Id               | B  |         |              |         |             |    |    |    |    |    |    |    |    |    |    |    |    |    |    |    |    |    |   |   |   |   |   |   |   |   |   | A | A | A | A |
| Reset 0xFFFFFFFF | 1  | 1       | 1            | 1       | 1           | 1  | 1  | 1  | 1  | 1  | 1  | 1  | 1  | 1  | 1  | 1  | 1  | 1  | 1  | 1  | 1  | 1  | 1 | 1 | 1 | 1 | 1 | 1 | 1 | 1 | 1 | 1 | 1 | 1 |   |
| Id               | RW | Field   | Value Id     | Value   | Description |    |    |    |    |    |    |    |    |    |    |    |    |    |    |    |    |    |   |   |   |   |   |   |   |   |   |   |   |   |   |
| A                | RW | PIN     |              | [0..31] | Pin number  |    |    |    |    |    |    |    |    |    |    |    |    |    |    |    |    |    |   |   |   |   |   |   |   |   |   |   |   |   |   |
| B                | RW | CONNECT | Disconnected | 1       | Disconnect  |    |    |    |    |    |    |    |    |    |    |    |    |    |    |    |    |    |   |   |   |   |   |   |   |   |   |   |   |   |   |
|                  |    |         | Connected    | 0       | Connect     |    |    |    |    |    |    |    |    |    |    |    |    |    |    |    |    |    |   |   |   |   |   |   |   |   |   |   |   |   |   |

### 36.7.12 PSEL.A

Address offset: 0x520

Pin select for A signal

| Bit number       | 31 | 30      | 29           | 28      | 27          | 26 | 25 | 24 | 23 | 22 | 21 | 20 | 19 | 18 | 17 | 16 | 15 | 14 | 13 | 12 | 11 | 10 | 9 | 8 | 7 | 6 | 5 | 4 | 3 | 2 | 1 | 0 |   |   |   |   |
|------------------|----|---------|--------------|---------|-------------|----|----|----|----|----|----|----|----|----|----|----|----|----|----|----|----|----|---|---|---|---|---|---|---|---|---|---|---|---|---|---|
| Id               | B  |         |              |         |             |    |    |    |    |    |    |    |    |    |    |    |    |    |    |    |    |    |   |   |   |   |   |   |   |   |   |   | A | A | A | A |
| Reset 0xFFFFFFFF | 1  | 1       | 1            | 1       | 1           | 1  | 1  | 1  | 1  | 1  | 1  | 1  | 1  | 1  | 1  | 1  | 1  | 1  | 1  | 1  | 1  | 1  | 1 | 1 | 1 | 1 | 1 | 1 | 1 | 1 | 1 | 1 | 1 | 1 | 1 |   |
| Id               | RW | Field   | Value Id     | Value   | Description |    |    |    |    |    |    |    |    |    |    |    |    |    |    |    |    |    |   |   |   |   |   |   |   |   |   |   |   |   |   |   |
| A                | RW | PIN     |              | [0..31] | Pin number  |    |    |    |    |    |    |    |    |    |    |    |    |    |    |    |    |    |   |   |   |   |   |   |   |   |   |   |   |   |   |   |
| B                | RW | CONNECT | Disconnected | 1       | Disconnect  |    |    |    |    |    |    |    |    |    |    |    |    |    |    |    |    |    |   |   |   |   |   |   |   |   |   |   |   |   |   |   |
|                  |    |         | Connected    | 0       | Connect     |    |    |    |    |    |    |    |    |    |    |    |    |    |    |    |    |    |   |   |   |   |   |   |   |   |   |   |   |   |   |   |

### 36.7.13 PSEL.B

Address offset: 0x524

Pin select for B signal

| Bit number       | 31 | 30      | 29           | 28      | 27          | 26 | 25 | 24 | 23 | 22 | 21 | 20 | 19 | 18 | 17 | 16 | 15 | 14 | 13 | 12 | 11 | 10 | 9 | 8 | 7 | 6 | 5 | 4 | 3 | 2 | 1 | 0 |   |   |   |   |   |
|------------------|----|---------|--------------|---------|-------------|----|----|----|----|----|----|----|----|----|----|----|----|----|----|----|----|----|---|---|---|---|---|---|---|---|---|---|---|---|---|---|---|
| Id               | B  |         |              |         |             |    |    |    |    |    |    |    |    |    |    |    |    |    |    |    |    |    |   |   |   |   |   |   |   |   |   |   |   | A | A | A | A |
| Reset 0xFFFFFFFF | 1  | 1       | 1            | 1       | 1           | 1  | 1  | 1  | 1  | 1  | 1  | 1  | 1  | 1  | 1  | 1  | 1  | 1  | 1  | 1  | 1  | 1  | 1 | 1 | 1 | 1 | 1 | 1 | 1 | 1 | 1 | 1 | 1 | 1 | 1 |   |   |
| Id               | RW | Field   | Value Id     | Value   | Description |    |    |    |    |    |    |    |    |    |    |    |    |    |    |    |    |    |   |   |   |   |   |   |   |   |   |   |   |   |   |   |   |
| A                | RW | PIN     |              | [0..31] | Pin number  |    |    |    |    |    |    |    |    |    |    |    |    |    |    |    |    |    |   |   |   |   |   |   |   |   |   |   |   |   |   |   |   |
| B                | RW | CONNECT | Disconnected | 1       | Disconnect  |    |    |    |    |    |    |    |    |    |    |    |    |    |    |    |    |    |   |   |   |   |   |   |   |   |   |   |   |   |   |   |   |
|                  |    |         | Connected    | 0       | Connect     |    |    |    |    |    |    |    |    |    |    |    |    |    |    |    |    |    |   |   |   |   |   |   |   |   |   |   |   |   |   |   |   |

### 36.7.14 DBFEN

Address offset: 0x528

Enable input debounce filters



## 37 SAADC — Successive approximation analog-to-digital converter

The ADC is a differential successive approximation register (SAR) analog-to-digital converter.

Listed here are the main features of SAADC:

- 8/10/12-bit resolution, 14-bit resolution with oversampling
- Up to eight input channels
  - One channel per single-ended input and two channels per differential input
  - Scan mode can be configured with both single-ended channels and differential channels.
- Full scale input range (0 to VDD)
- Sampling triggered via a task from software or a PPI channel for full flexibility on sample frequency source from low power 32.768kHz RTC or more accurate 1/16MHz Timers
- One-shot conversion mode to sample a single channel
- Scan mode to sample a series of channels in sequence. Sample delay between channels is  $t_{ack} + t_{conv}$  which may vary between channels according to user configuration of  $t_{ack}$ .
- Support for direct sample transfer to RAM using EasyDMA
- Interrupts on single sample and full buffer events
- Samples stored as 16-bit 2's complement values for differential and single-ended sampling
- Continuous sampling without the need of an external timer
- Internal resistor string
- Limit checking on the fly

### 37.1 Shared resources

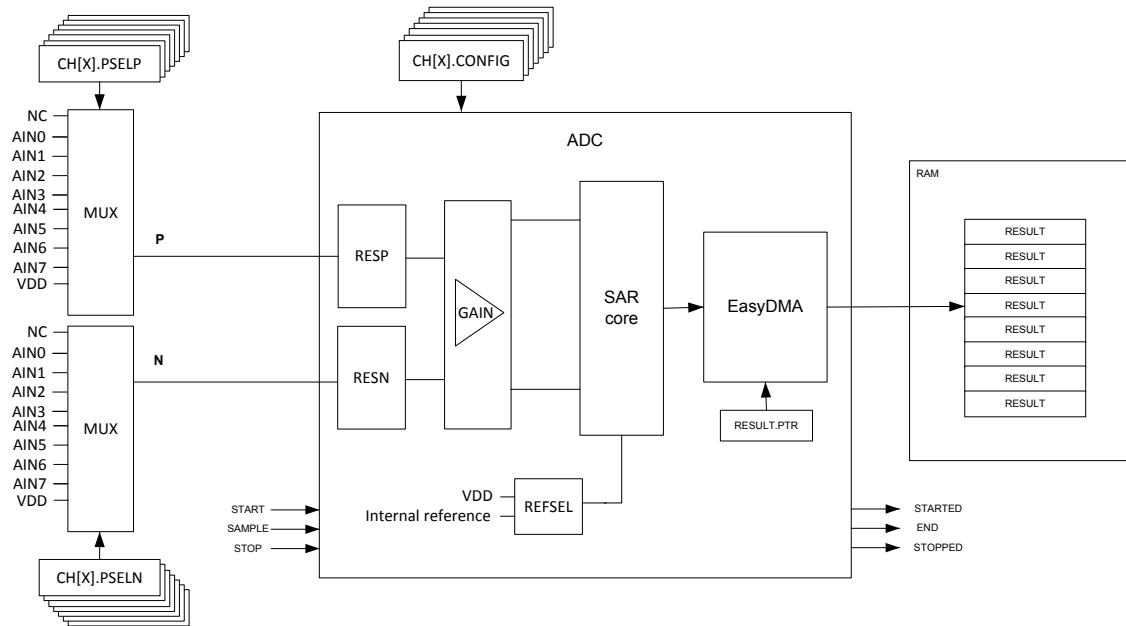
The ADC can coexist with COMP, LPCOMP and other peripherals using one of AIN0–AIN7, provided these are assigned to different pins.

It is not recommended to select the same analog input pin for both modules.

### 37.2 Overview

The ADC supports up to eight external analog input channels, depending on package variant. It can be operated in a one-shot mode with sampling under software control, or a continuous conversion mode with a programmable sampling rate.

The analog inputs can be configured as eight single-ended inputs, four differential inputs or a combination of these. Each channel can be configured to select AIN0 to AIN7 pins, or the VDD pin. Channels can be sampled individually in one-shot or continuous sampling modes, or, using scan mode, multiple channels can be sampled in sequence. Channels can also be oversampled to improve noise performance.



**Figure 98: Simplified ADC block diagram**

Internally, the ADC is always a differential analog-to-digital converter, but by default it is configured with single-ended input in the MODE field of the CH[n].CONFIG register. In single-ended mode, the negative input will be shorted to ground internally.

The assumption in single-ended mode is that the internal ground of the ADC is the same as the external ground that the measured voltage is referred to. The ADC is thus sensitive to ground bounce on the PCB in single-ended mode. If this is a concern we recommend using differential measurement.

### 37.3 Digital output

The output result of the ADC depends on the settings in the CH[n].CONFIG and RESOLUTION registers as follows:

$$\text{RESULT} = [V(P) - V(N)] * \text{GAIN}/\text{REFERENCE} * 2^{(\text{RESOLUTION} - m)}$$

where

**V(P)**

is the voltage at input P

**V(N)**

is the voltage at input N

**GAIN**

is the selected gain setting

**REFERENCE**

is the selected reference voltage

and m=0 if CONFIG.MODE=SE, or m=1 if CONFIG.MODE=Diff.

The result generated by the ADC will deviate from the expected due DC errors like offset, gain, differential non-linearity (DNL), and integral non-linearity (INL). See [Electrical specification](#) for details on these parameters. The result can also vary due to AC errors like non-linearities in the GAIN block, settling errors due to high source impedance and sampling jitter. For battery measurement the DC errors are most noticeable.

The ADC has a wide selection of gains controlled in the GAIN field of the CH[n].CONFIG register. If CH[n].CONFIG.REFSEL=0, the input range of the ADC core is nominally  $\pm 0.6$  V differential and the input must be scaled accordingly.

The ADC has a temperature dependent offset. If the ADC is to operate over a large temperature range, we recommend running CALIBRATEOFFSET at regular intervals, a CALIBRATEDONE event will be fired when the calibration is complete

## 37.4 Analog inputs and channels

Up to eight analog input channels, CH[n](n=0..7), can be configured.

See [Shared resources](#) on page 357 for shared input with comparators.

Any one of the available channels can be enabled for the ADC to operate in one-shot mode. If more than one CH[n] is configured, the ADC enters scan mode.

An analog input is selected as a positive converter input if CH[n].PSELP is set, setting CH[n].PSELP also enables the particular channel.

An analog input is selected as a negative converter input if CH[n].PSELN is set. The CH[n].PSELN register will have no effect unless differential mode is enabled, see MODE field in CH[n].CONFIG register.

If more than one of the CH[n].PSELP registers is set, the device enters scan mode. Input selections in scan mode are controlled by the CH[n].PSELP and CH[n].PSELN registers, where CH[n].PSELN is only used if the particular scan channel is specified as differential, see MODE field in CH[n].CONFIG register.

**Important:** Channels selected for either COMP or LPCOMP cannot be used at the same time for ADC sampling, though channels not selected for use by these blocks can be used by the ADC.

**Table 87: Legal connectivity CH[n] vs. analog input**

| Channel input | Source      | Connectivity |
|---------------|-------------|--------------|
| CH[n].PSELP   | AIN0...AIN7 | Yes(any)     |
| CH[n].PSELP   | VDD         | Yes          |
| CH[n].PSELN   | AIN0...AIN7 | Yes(any)     |
| CH[n].PSELN   | VDD         | Yes          |

## 37.5 Operation modes

The ADC input configuration supports one-shot mode, continuous mode and scan mode.

Scan mode and oversampling cannot be combined.

### 37.5.1 One-shot mode

One-shot operation is configured by enabling only one of the available channels defined by CH[n].PSELP, CH[n].PSELN, and CH[n].CONFIG registers.

Upon a SAMPLE task, the ADC starts to sample the input voltage. The CH[n].CONFIG.TACQ controls the acquisition time.

A DONE event signals that one sample has been taken.

In this mode, the RESULTDONE event has the same meaning as DONE when no oversampling takes place. Note that both events may occur before the actual value has been transferred into RAM by EasyDMA. For more information, see [EasyDMA](#) on page 361.

### 37.5.2 Continuous mode

Continuous sampling can be achieved by using the internal timer in the ADC, or triggering the SAMPLE task from one of the general purpose timers through the PPI.

Care shall be taken to ensure that the sample rate fulfils the following criteria, depending on how many channels are active:

$$f_{\text{SAMPLE}} < 1 / [\tau_{\text{ACQ}} + \tau_{\text{conv}}]$$

The SAMPLERATE register can be used as a local timer instead of triggering individual SAMPLE tasks. When SAMPLERATE.MODE is set to Timers, it is sufficient to trigger SAMPLE task only once in order to start the SAADC and triggering the STOP task will stop sampling. The SAMPLERATE.CC field controls the sample rate.

The SAMPLERATE timer mode cannot be combined with SCAN mode, and only one channel can be enabled in this mode.

A DONE event signals that one sample has been taken.

In this mode, the RESULTDONE event has the same meaning as DONE when no oversampling takes place. Note that both events may occur before the actual value has been transferred into RAM by EasyDMA.

### 37.5.3 Oversampling

An accumulator in the ADC can be used to average noise on the analog input. In general, oversampling improves the signal-to-noise ratio (SNR). Oversampling, however, does not improve the integral non-linearity (INL), or differential non-linearity (DNL).

Oversampling and scan should not be combined, since oversampling and scan will average over input channels.

The accumulator is controlled in the OVERSAMPLE register. The SAMPLE task must be set  $2^{\text{OVERSAMPLE}}$  number of times before the result is written to RAM. This can be achieved by:

- Configuring a fixed sampling rate using the local timer or a general purpose timer and PPI to trigger a SAMPLE task
- Triggering SAMPLE  $2^{\text{OVERSAMPLE}}$  times from software
- Enabling BURST mode

CH[n].CONFIG.BURST can be enabled to avoid setting SAMPLE task  $2^{\text{OVERSAMPLE}}$  times. With BURST = 1 the ADC will sample the input  $2^{\text{OVERSAMPLE}}$  times as fast as it can (actual timing:  $<(t_{\text{ACQ}}+t_{\text{CONV}}) \times 2^{\text{OVERSAMPLE}}>$ ). Thus, for the user it will just appear like the conversion took a bit longer time, but other than that, it is similar to one-shot mode. Scan mode can be combined with BURST=1, if burst is enabled on all channels.

A DONE event signals that one sample has been taken.

In this mode, the RESULTDONE event signals that enough conversions have taken place for an oversampled result to get transferred into RAM. Note that both events may occur before the actual value has been transferred into RAM by EasyDMA.

### 37.5.4 Scan mode

A channel is considered enabled if CH[n].PSELP is set. If more than one channel, CH[n], is enabled, the ADC enters scan mode.

In scan mode, one SAMPLE task will trigger one conversion per enabled channel. The time it takes to sample all channels is:

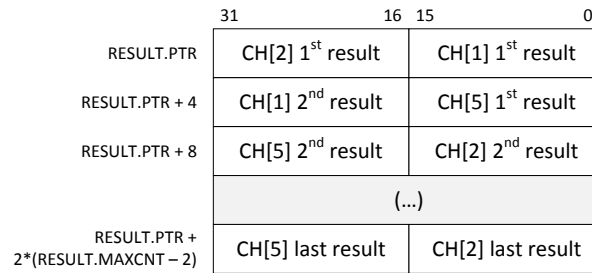
```
Total time < Sum(CH[x].tACQ+tCONV), x=0..enabled channels
```

A DONE event signals that one sample has been taken.

In this mode, the RESULTDONE event signals has the same meaning as DONE when no oversampling takes place. Note that both events may occur before the actual values have been transferred into RAM by EasyDMA.

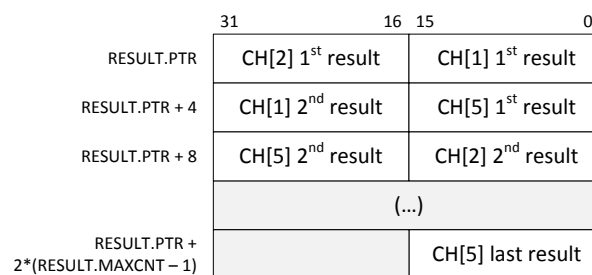
*Figure 99: Example of RAM placement (even RESULT.MAXCNT), channels 1, 2 and 5 enabled* on page 361 provides an example of results placement in Data RAM, with an even RESULT.MAXCNT. In this example, channels 1, 2 and 5 are enabled, all others are disabled.





**Figure 99: Example of RAM placement (even RESULT.MAXCNT), channels 1, 2 and 5 enabled**

*Figure 100: Example of RAM placement (odd RESULT.MAXCNT), channels 1, 2 and 5 enabled* on page 361 provides an example of results placement in Data RAM, with an odd RESULT.MAXCNT. In this example, channels 1, 2 and 5 are enabled, all others are disabled. The last 32-bit word is populated only with one 16-bit result.



**Figure 100: Example of RAM placement (odd RESULT.MAXCNT), channels 1, 2 and 5 enabled**

## 37.6 EasyDMA

After configuring RESULT.PTR and RESULT.MAXCNT, the ADC resources are started by triggering the START task. The ADC is using EasyDMA to store results in a Result buffer in RAM.

The Result buffer is located at the address specified in the RESULT.PTR register. The RESULT.PTR register is double-buffered and it can be updated and prepared for the next START task immediately after the STARTED event is generated. The size of the Result buffer is specified in the RESULT.MAXCNT register and the ADC will generate an END event when it has filled up the Result buffer, see [Figure 101: ADC](#) on page 362. Results are stored in little-endian byte order in Data RAM. Every sample will be sign extended to 16 bit before stored in the Result buffer.

The ADC is stopped by triggering the STOP task. The STOP task will terminate an ongoing sampling. The ADC will generate a STOPPED event when it has stopped. If the ADC is already stopped when the STOP task is triggered, the STOPPED event will still be generated.



**Figure 101: ADC**

If the RESULT.PTR is not pointing to the Data RAM region, an EasyDMA transfer may result in a HardFault or RAM corruption. See [Memory](#) on page 23 for more information about the different memory regions.

The EasyDMA will have finished accessing the RAM when the END or STOPPED event has been generated.

The RESULT.AMOUNT register can be read following an END event or a STOPPED event to see how many results have been transferred to the Result buffer in RAM since the START task was triggered.

In Scan mode, the size of the Result buffer must be large enough to have room for a minimum one result from each of the enabled channels. To secure this, RESULT.MAXCNT must be specified to RESULT.MAXCNT >= "number of channels enabled". See [Scan mode](#) on page 360 for more information about Scan mode.

### 37.7 Resistor ladder

The ADC has an internal resistor string for positive and negative input.

See [Figure 102: Resistor ladder for positive input \(negative input is equivalent, using RESN instead of RESP\)](#) on page 363. The resistors are controlled in the CH[n].CONFIG.RESP and CH[n].CONFIG.RESN registers.



**Figure 102: Resistor ladder for positive input (negative input is equivalent, using RESN instead of RESP)**

## 37.8 Reference

The ADC can use two different references, controlled in the REFSEL field of the CH[n].CONFIG register.

These are:

- Internal reference
- VDD as reference

The internal reference results in an input range of  $\pm 0.6$  V on the ADC core. VDD as reference results in an input range of  $\pm VDD/4$  on the ADC core. The gain block can be used to change the effective input range of the ADC.

$$\text{Input range} = (+- 0.6 \text{ V or } +-VDD/4) / \text{Gain}$$

For example, choosing VDD as reference, single ended input (grounded negative input), and a gain of 1/4 the input range will be:

$$\text{Input range} = (VDD/4) / (1/4) = VDD$$

With internal reference, single ended input (grounded negative input), and a gain of 1/6 the input range will be:

$$\text{Input range} = (0.6 \text{ V}) / (1/6) = 3.6 \text{ V}$$

The AIN0-AIN7 inputs cannot exceed VDD, or be lower than VSS.

## 37.9 Acquisition time

To sample the input voltage, the ADC connects a capacitor to the input.

For illustration, see [Figure 103: Simplified ADC sample network](#) on page 364. The acquisition time indicates how long the capacitor is connected, see TACQ field in CH[n].CONFIG register. The required acquisition time depends on the source ( $R_{\text{source}}$ ) resistance. For high source resistance the acquisition time should be increased, see [Table 88: Acquisition time](#) on page 364.



outside of the defined limits. It is not possible to fire an event when the input signal is inside a defined range by swapping high and low limits.

The comparison to limits always takes place, there is no need to enable it. If comparison is not required on a channel, the software shall simply ignore the related events. In that situation, the value of the limits registers is irrelevant, so it does not matter if CH[n].LIMIT.LOW is lower than CH[n].LIMIT.HIGH or not.

## 37.11 Registers

**Table 89: Instances**

| Base address | Peripheral | Instance | Description                 | Configuration |
|--------------|------------|----------|-----------------------------|---------------|
| 0x40007000   | SAADC      | SAADC    | Analog to digital converter |               |

**Table 90: Register Overview**

| Register             | Offset | Description  |
|----------------------|--------|--|
| TASKS_START          | 0x000  | Start the ADC and prepare the result buffer in RAM   |
| TASKS_SAMPLE         | 0x004  | Take one ADC sample, if scan is enabled all channels are sampled   |
| TASKS_STOP           | 0x008  | Stop the ADC and terminate any on-going conversion   |
| TASKS_CALIBRATEOFFSE | 0x00C  | Starts offset auto-calibration   |
| EVENTS_STARTED       | 0x100  | The ADC has started  |
| EVENTS_END           | 0x104  | The ADC has filled up the Result buffer  |
| EVENTS_DONE          | 0x108  | A conversion task has been completed. Depending on the mode, multiple conversions might be needed for a result to be transferred to RAM. |
| EVENTS_RESULTDONE    | 0x10C  | A result is ready to get transferred to RAM.   |
| EVENTS_CALIBRATEDON  | 0x110  | Calibration is complete  |
| EVENTS_STOPPED       | 0x114  | The ADC has stopped  |
| EVENTS_CH[0].LIMITH  | 0x118  | Last results is equal or above CH[0].LIMIT.HIGH  |
| EVENTS_CH[0].LIMITL  | 0x11C  | Last results is equal or below CH[0].LIMIT.LOW   |
| EVENTS_CH[1].LIMITH  | 0x120  | Last results is equal or above CH[1].LIMIT.HIGH  |
| EVENTS_CH[1].LIMITL  | 0x124  | Last results is equal or below CH[1].LIMIT.LOW   |
| EVENTS_CH[2].LIMITH  | 0x128  | Last results is equal or above CH[2].LIMIT.HIGH  |
| EVENTS_CH[2].LIMITL  | 0x12C  | Last results is equal or below CH[2].LIMIT.LOW   |
| EVENTS_CH[3].LIMITH  | 0x130  | Last results is equal or above CH[3].LIMIT.HIGH  |
| EVENTS_CH[3].LIMITL  | 0x134  | Last results is equal or below CH[3].LIMIT.LOW   |
| EVENTS_CH[4].LIMITH  | 0x138  | Last results is equal or above CH[4].LIMIT.HIGH  |
| EVENTS_CH[4].LIMITL  | 0x13C  | Last results is equal or below CH[4].LIMIT.LOW   |
| EVENTS_CH[5].LIMITH  | 0x140  | Last results is equal or above CH[5].LIMIT.HIGH  |
| EVENTS_CH[5].LIMITL  | 0x144  | Last results is equal or below CH[5].LIMIT.LOW   |
| EVENTS_CH[6].LIMITH  | 0x148  | Last results is equal or above CH[6].LIMIT.HIGH  |
| EVENTS_CH[6].LIMITL  | 0x14C  | Last results is equal or below CH[6].LIMIT.LOW   |
| EVENTS_CH[7].LIMITH  | 0x150  | Last results is equal or above CH[7].LIMIT.HIGH  |
| EVENTS_CH[7].LIMITL  | 0x154  | Last results is equal or below CH[7].LIMIT.LOW   |
| <i>INTEN</i>         | 0x300  | Enable or disable interrupt  |
| <i>INTENSET</i>      | 0x304  | Enable interrupt   |
| <i>INTENCLR</i>      | 0x308  | Disable interrupt  |
| <i>STATUS</i>        | 0x400  | Status   |
| <i>ENABLE</i>        | 0x500  | Enable or disable ADC  |
| <i>CH[0].PSEL</i>    | 0x510  | Input positive pin selection for CH[0]   |
| <i>CH[0].PSELN</i>   | 0x514  | Input negative pin selection for CH[0]   |
| <i>CH[0].CONFIG</i>  | 0x518  | Input configuration for CH[0]  |
| <i>CH[0].LIMIT</i>   | 0x51C  | High/low limits for event monitoring a channel   |
| <i>CH[1].PSEL</i>    | 0x520  | Input positive pin selection for CH[1]   |
| <i>CH[1].PSELN</i>   | 0x524  | Input negative pin selection for CH[1]   |
| <i>CH[1].CONFIG</i>  | 0x528  | Input configuration for CH[1]  |
| <i>CH[1].LIMIT</i>   | 0x52C  | High/low limits for event monitoring a channel   |
| <i>CH[2].PSEL</i>    | 0x530  | Input positive pin selection for CH[2]   |

| Register                      | Offset | Description   |
|-------------------------------|--------|---|
| <a href="#">CH[2].PSELN</a>   | 0x534  | Input negative pin selection for CH[2]  |
| <a href="#">CH[2].CONFIG</a>  | 0x538  | Input configuration for CH[2]   |
| <a href="#">CH[2].LIMIT</a>   | 0x53C  | High/low limits for event monitoring a channel  |
| <a href="#">CH[3].PSELP</a>   | 0x540  | Input positive pin selection for CH[3]  |
| <a href="#">CH[3].PSELN</a>   | 0x544  | Input negative pin selection for CH[3]  |
| <a href="#">CH[3].CONFIG</a>  | 0x548  | Input configuration for CH[3]   |
| <a href="#">CH[3].LIMIT</a>   | 0x54C  | High/low limits for event monitoring a channel  |
| <a href="#">CH[4].PSELP</a>   | 0x550  | Input positive pin selection for CH[4]  |
| <a href="#">CH[4].PSELN</a>   | 0x554  | Input negative pin selection for CH[4]  |
| <a href="#">CH[4].CONFIG</a>  | 0x558  | Input configuration for CH[4]   |
| <a href="#">CH[4].LIMIT</a>   | 0x55C  | High/low limits for event monitoring a channel  |
| <a href="#">CH[5].PSELP</a>   | 0x560  | Input positive pin selection for CH[5]  |
| <a href="#">CH[5].PSELN</a>   | 0x564  | Input negative pin selection for CH[5]  |
| <a href="#">CH[5].CONFIG</a>  | 0x568  | Input configuration for CH[5]   |
| <a href="#">CH[5].LIMIT</a>   | 0x56C  | High/low limits for event monitoring a channel  |
| <a href="#">CH[6].PSELP</a>   | 0x570  | Input positive pin selection for CH[6]  |
| <a href="#">CH[6].PSELN</a>   | 0x574  | Input negative pin selection for CH[6]  |
| <a href="#">CH[6].CONFIG</a>  | 0x578  | Input configuration for CH[6]   |
| <a href="#">CH[6].LIMIT</a>   | 0x57C  | High/low limits for event monitoring a channel  |
| <a href="#">CH[7].PSELP</a>   | 0x580  | Input positive pin selection for CH[7]  |
| <a href="#">CH[7].PSELN</a>   | 0x584  | Input negative pin selection for CH[7]  |
| <a href="#">CH[7].CONFIG</a>  | 0x588  | Input configuration for CH[7]   |
| <a href="#">CH[7].LIMIT</a>   | 0x58C  | High/low limits for event monitoring a channel  |
| <a href="#">RESOLUTION</a>    | 0x5F0  | Resolution configuration  |
| <a href="#">OVERSAMPLE</a>    | 0x5F4  | Oversampling configuration. OVERSAMPLE should not be combined with SCAN. The RESOLUTION is applied before averaging, thus for high OVERSAMPLE a higher RESOLUTION should be used. |
| <a href="#">SAMPLERATE</a>    | 0x5F8  | Controls normal or continuous sample rate   |
| <a href="#">RESULT.PTR</a>    | 0x62C  | Data pointer  |
| <a href="#">RESULT.MAXCNT</a> | 0x630  | Maximum number of buffer words to transfer  |
| <a href="#">RESULT.AMOUNT</a> | 0x634  | Number of buffer words transferred since last START   |

### 37.11.1 INTEN

Address offset: 0x300

Enable or disable interrupt

| Bit number       |   |            |          |       |   |  |  |  |  |  |  |  |  |  |  |  |  |  |  |  |  |  |  |  |  |  |  |  |  |  |  |
|------------------|---|------------|----------|-------|---|--|--|--|--|--|--|--|--|--|--|--|--|--|--|--|--|--|--|--|--|--|--|--|--|--|--|
| Id               | V U T S R Q P O N M L K J I H G F E D C B A                               |            |          |       |   |  |  |  |  |  |  |  |  |  |  |  |  |  |  |  |  |  |  |  |  |  |  |  |  |  |  |
| Reset 0x00000000 | 0 |            |          |       |   |  |  |  |  |  |  |  |  |  |  |  |  |  |  |  |  |  |  |  |  |  |  |  |  |  |  |
| Id               | RW  | Field      | Value Id | Value | Description   |  |  |  |  |  |  |  |  |  |  |  |  |  |  |  |  |  |  |  |  |  |  |  |  |  |  |
| A                | RW  | STARTED    |          |       | Enable or disable interrupt for STARTED event<br><br>See <a href="#">EVENTS_STARTED</a><br><br>Disabled 0 Disable<br>Enabled 1 Enable       |  |  |  |  |  |  |  |  |  |  |  |  |  |  |  |  |  |  |  |  |  |  |  |  |  |  |
| B                | RW  | END        |          |       | Enable or disable interrupt for END event<br><br>See <a href="#">EVENTS_END</a><br><br>Disabled 0 Disable<br>Enabled 1 Enable               |  |  |  |  |  |  |  |  |  |  |  |  |  |  |  |  |  |  |  |  |  |  |  |  |  |  |
| C                | RW  | DONE       |          |       | Enable or disable interrupt for DONE event<br><br>See <a href="#">EVENTS_DONE</a><br><br>Disabled 0 Disable<br>Enabled 1 Enable             |  |  |  |  |  |  |  |  |  |  |  |  |  |  |  |  |  |  |  |  |  |  |  |  |  |  |
| D                | RW  | RESULTDONE |          |       | Enable or disable interrupt for RESULTDONE event<br><br>See <a href="#">EVENTS_RESULTDONE</a><br><br>Disabled 0 Disable<br>Enabled 1 Enable |  |  |  |  |  |  |  |  |  |  |  |  |  |  |  |  |  |  |  |  |  |  |  |  |  |  |

|                  |    |    |    |    |    |    |    |    |    |    |    |    |    |    |    |    |    |    |    |    |    |    |   |   |   |   |   |   |   |   |   |   |   |   |
|------------------|----|----|----|----|----|----|----|----|----|----|----|----|----|----|----|----|----|----|----|----|----|----|---|---|---|---|---|---|---|---|---|---|---|---|
| Bit number       | 31 | 30 | 29 | 28 | 27 | 26 | 25 | 24 | 23 | 22 | 21 | 20 | 19 | 18 | 17 | 16 | 15 | 14 | 13 | 12 | 11 | 10 | 9 | 8 | 7 | 6 | 5 | 4 | 3 | 2 | 1 | 0 |   |   |
| Id               |    |    |    |    |    |    |    |    |    |    |    |    |    |    |    |    |    |    |    |    |    |    |   |   |   |   |   |   |   |   |   |   |   |   |
| Reset 0x00000000 | 0  | 0  | 0  | 0  | 0  | 0  | 0  | 0  | 0  | 0  | 0  | 0  | 0  | 0  | 0  | 0  | 0  | 0  | 0  | 0  | 0  | 0  | 0 | 0 | 0 | 0 | 0 | 0 | 0 | 0 | 0 | 0 | 0 | 0 |

| Id | RW | Field         | Value Id | Value | Description   |
|----|----|---------------|----------|-------|---|
| E  | RW | CALIBRATEDONE |          |       | Enable or disable interrupt for CALIBRATEDONE event |
|    |    |               |          |       | See <a href="#">EVENTS_CALIBRATEDONE</a>            |
|    |    |               | Disabled | 0     | Disable   |
|    |    |               | Enabled  | 1     | Enable  |
| F  | RW | STOPPED       |          |       | Enable or disable interrupt for STOPPED event       |
|    |    |               |          |       | See <a href="#">EVENTS_STOPPED</a>                  |
|    |    |               | Disabled | 0     | Disable   |
|    |    |               | Enabled  | 1     | Enable  |
| G  | RW | CH0LIMITH     |          |       | Enable or disable interrupt for CH[0].LIMITH event  |
|    |    |               |          |       | See <a href="#">EVENTS_CH[0].LIMITH</a>             |
|    |    |               | Disabled | 0     | Disable   |
|    |    |               | Enabled  | 1     | Enable  |
| H  | RW | CH0LIMITL     |          |       | Enable or disable interrupt for CH[0].LIMITL event  |
|    |    |               |          |       | See <a href="#">EVENTS_CH[0].LIMITL</a>             |
|    |    |               | Disabled | 0     | Disable   |
|    |    |               | Enabled  | 1     | Enable  |
| I  | RW | CH1LIMITH     |          |       | Enable or disable interrupt for CH[1].LIMITH event  |
|    |    |               |          |       | See <a href="#">EVENTS_CH[1].LIMITH</a>             |
|    |    |               | Disabled | 0     | Disable   |
|    |    |               | Enabled  | 1     | Enable  |
| J  | RW | CH1LIMITL     |          |       | Enable or disable interrupt for CH[1].LIMITL event  |
|    |    |               |          |       | See <a href="#">EVENTS_CH[1].LIMITL</a>             |
|    |    |               | Disabled | 0     | Disable   |
|    |    |               | Enabled  | 1     | Enable  |
| K  | RW | CH2LIMITH     |          |       | Enable or disable interrupt for CH[2].LIMITH event  |
|    |    |               |          |       | See <a href="#">EVENTS_CH[2].LIMITH</a>             |
|    |    |               | Disabled | 0     | Disable   |
|    |    |               | Enabled  | 1     | Enable  |
| L  | RW | CH2LIMITL     |          |       | Enable or disable interrupt for CH[2].LIMITL event  |
|    |    |               |          |       | See <a href="#">EVENTS_CH[2].LIMITL</a>             |
|    |    |               | Disabled | 0     | Disable   |
|    |    |               | Enabled  | 1     | Enable  |
| M  | RW | CH3LIMITH     |          |       | Enable or disable interrupt for CH[3].LIMITH event  |
|    |    |               |          |       | See <a href="#">EVENTS_CH[3].LIMITH</a>             |
|    |    |               | Disabled | 0     | Disable   |
|    |    |               | Enabled  | 1     | Enable  |
| N  | RW | CH3LIMITL     |          |       | Enable or disable interrupt for CH[3].LIMITL event  |
|    |    |               |          |       | See <a href="#">EVENTS_CH[3].LIMITL</a>             |
|    |    |               | Disabled | 0     | Disable   |
|    |    |               | Enabled  | 1     | Enable  |
| O  | RW | CH4LIMITH     |          |       | Enable or disable interrupt for CH[4].LIMITH event  |
|    |    |               |          |       | See <a href="#">EVENTS_CH[4].LIMITH</a>             |
|    |    |               | Disabled | 0     | Disable   |
|    |    |               | Enabled  | 1     | Enable  |
| P  | RW | CH4LIMITL     |          |       | Enable or disable interrupt for CH[4].LIMITL event  |
|    |    |               |          |       | See <a href="#">EVENTS_CH[4].LIMITL</a>             |
|    |    |               | Disabled | 0     | Disable   |
|    |    |               | Enabled  | 1     | Enable  |
| Q  | RW | CH5LIMITH     |          |       | Enable or disable interrupt for CH[5].LIMITH event  |
|    |    |               |          |       | See <a href="#">EVENTS_CH[5].LIMITH</a>             |

| Bit number       | 31 30 29 28 27 26 25 24 23 22 21 20 19 18 17 16 15 14 13 12 11 10 9 8 7 6 5 4 3 2 1 0 |           |          |       |   |  |  |  |  |  |  |  |  |  |  |  |  |  |  |  |  |  |  |  |  |  |  |  |  |  |  |
|------------------|---|-----------|----------|-------|---|--|--|--|--|--|--|--|--|--|--|--|--|--|--|--|--|--|--|--|--|--|--|--|--|--|--|
| Id               | V U T S R Q P O N M L K J I H G F E D C B A   |           |          |       |   |  |  |  |  |  |  |  |  |  |  |  |  |  |  |  |  |  |  |  |  |  |  |  |  |  |  |
| Reset 0x00000000 | 0             |           |          |       |   |  |  |  |  |  |  |  |  |  |  |  |  |  |  |  |  |  |  |  |  |  |  |  |  |  |  |
| Id               | RW  | Field     | Value Id | Value | Description   |  |  |  |  |  |  |  |  |  |  |  |  |  |  |  |  |  |  |  |  |  |  |  |  |  |  |
|                  |   |           | Disabled | 0     | Disable   |  |  |  |  |  |  |  |  |  |  |  |  |  |  |  |  |  |  |  |  |  |  |  |  |  |  |
|                  |   |           | Enabled  | 1     | Enable  |  |  |  |  |  |  |  |  |  |  |  |  |  |  |  |  |  |  |  |  |  |  |  |  |  |  |
| R                | RW  | CH5LIMITL |          |       | Enable or disable interrupt for CH[5].LIMITL event<br>See <a href="#">EVENTS_CH[5].LIMITL</a> |  |  |  |  |  |  |  |  |  |  |  |  |  |  |  |  |  |  |  |  |  |  |  |  |  |  |
|                  |   |           | Disabled | 0     | Disable   |  |  |  |  |  |  |  |  |  |  |  |  |  |  |  |  |  |  |  |  |  |  |  |  |  |  |
|                  |   |           | Enabled  | 1     | Enable  |  |  |  |  |  |  |  |  |  |  |  |  |  |  |  |  |  |  |  |  |  |  |  |  |  |  |
| S                | RW  | CH6LIMITH |          |       | Enable or disable interrupt for CH[6].LIMITH event<br>See <a href="#">EVENTS_CH[6].LIMITH</a> |  |  |  |  |  |  |  |  |  |  |  |  |  |  |  |  |  |  |  |  |  |  |  |  |  |  |
|                  |   |           | Disabled | 0     | Disable   |  |  |  |  |  |  |  |  |  |  |  |  |  |  |  |  |  |  |  |  |  |  |  |  |  |  |
|                  |   |           | Enabled  | 1     | Enable  |  |  |  |  |  |  |  |  |  |  |  |  |  |  |  |  |  |  |  |  |  |  |  |  |  |  |
| T                | RW  | CH6LIMITL |          |       | Enable or disable interrupt for CH[6].LIMITL event<br>See <a href="#">EVENTS_CH[6].LIMITL</a> |  |  |  |  |  |  |  |  |  |  |  |  |  |  |  |  |  |  |  |  |  |  |  |  |  |  |
|                  |   |           | Disabled | 0     | Disable   |  |  |  |  |  |  |  |  |  |  |  |  |  |  |  |  |  |  |  |  |  |  |  |  |  |  |
|                  |   |           | Enabled  | 1     | Enable  |  |  |  |  |  |  |  |  |  |  |  |  |  |  |  |  |  |  |  |  |  |  |  |  |  |  |
| U                | RW  | CH7LIMITH |          |       | Enable or disable interrupt for CH[7].LIMITH event<br>See <a href="#">EVENTS_CH[7].LIMITH</a> |  |  |  |  |  |  |  |  |  |  |  |  |  |  |  |  |  |  |  |  |  |  |  |  |  |  |
|                  |   |           | Disabled | 0     | Disable   |  |  |  |  |  |  |  |  |  |  |  |  |  |  |  |  |  |  |  |  |  |  |  |  |  |  |
|                  |   |           | Enabled  | 1     | Enable  |  |  |  |  |  |  |  |  |  |  |  |  |  |  |  |  |  |  |  |  |  |  |  |  |  |  |
| V                | RW  | CH7LIMITL |          |       | Enable or disable interrupt for CH[7].LIMITL event<br>See <a href="#">EVENTS_CH[7].LIMITL</a> |  |  |  |  |  |  |  |  |  |  |  |  |  |  |  |  |  |  |  |  |  |  |  |  |  |  |
|                  |   |           | Disabled | 0     | Disable   |  |  |  |  |  |  |  |  |  |  |  |  |  |  |  |  |  |  |  |  |  |  |  |  |  |  |
|                  |   |           | Enabled  | 1     | Enable  |  |  |  |  |  |  |  |  |  |  |  |  |  |  |  |  |  |  |  |  |  |  |  |  |  |  |

### 37.11.2 INTENSET

Address offset: 0x304

Enable interrupt

| Bit number       | 31 30 29 28 27 26 25 24 23 22 21 20 19 18 17 16 15 14 13 12 11 10 9 8 7 6 5 4 3 2 1 0 |            |          |       |   |  |  |  |  |  |  |  |  |  |  |  |  |  |  |  |  |  |  |  |  |  |  |  |  |  |  |
|------------------|---|------------|----------|-------|---|--|--|--|--|--|--|--|--|--|--|--|--|--|--|--|--|--|--|--|--|--|--|--|--|--|--|
| Id               | V U T S R Q P O N M L K J I H G F E D C B A   |            |          |       |   |  |  |  |  |  |  |  |  |  |  |  |  |  |  |  |  |  |  |  |  |  |  |  |  |  |  |
| Reset 0x00000000 | 0             |            |          |       |   |  |  |  |  |  |  |  |  |  |  |  |  |  |  |  |  |  |  |  |  |  |  |  |  |  |  |
| Id               | RW  | Field      | Value Id | Value | Description   |  |  |  |  |  |  |  |  |  |  |  |  |  |  |  |  |  |  |  |  |  |  |  |  |  |  |
| A                | RW  | STARTED    |          |       | Write '1' to Enable interrupt for STARTED event<br>See <a href="#">EVENTS_STARTED</a>       |  |  |  |  |  |  |  |  |  |  |  |  |  |  |  |  |  |  |  |  |  |  |  |  |  |  |
|                  |   |            | Set      | 1     | Enable  |  |  |  |  |  |  |  |  |  |  |  |  |  |  |  |  |  |  |  |  |  |  |  |  |  |  |
|                  |   |            | Disabled | 0     | Read: Disabled  |  |  |  |  |  |  |  |  |  |  |  |  |  |  |  |  |  |  |  |  |  |  |  |  |  |  |
|                  |   |            | Enabled  | 1     | Read: Enabled   |  |  |  |  |  |  |  |  |  |  |  |  |  |  |  |  |  |  |  |  |  |  |  |  |  |  |
| B                | RW  | END        |          |       | Write '1' to Enable interrupt for END event<br>See <a href="#">EVENTS_END</a>               |  |  |  |  |  |  |  |  |  |  |  |  |  |  |  |  |  |  |  |  |  |  |  |  |  |  |
|                  |   |            | Set      | 1     | Enable  |  |  |  |  |  |  |  |  |  |  |  |  |  |  |  |  |  |  |  |  |  |  |  |  |  |  |
|                  |   |            | Disabled | 0     | Read: Disabled  |  |  |  |  |  |  |  |  |  |  |  |  |  |  |  |  |  |  |  |  |  |  |  |  |  |  |
|                  |   |            | Enabled  | 1     | Read: Enabled   |  |  |  |  |  |  |  |  |  |  |  |  |  |  |  |  |  |  |  |  |  |  |  |  |  |  |
| C                | RW  | DONE       |          |       | Write '1' to Enable interrupt for DONE event<br>See <a href="#">EVENTS_DONE</a>             |  |  |  |  |  |  |  |  |  |  |  |  |  |  |  |  |  |  |  |  |  |  |  |  |  |  |
|                  |   |            | Set      | 1     | Enable  |  |  |  |  |  |  |  |  |  |  |  |  |  |  |  |  |  |  |  |  |  |  |  |  |  |  |
|                  |   |            | Disabled | 0     | Read: Disabled  |  |  |  |  |  |  |  |  |  |  |  |  |  |  |  |  |  |  |  |  |  |  |  |  |  |  |
|                  |   |            | Enabled  | 1     | Read: Enabled   |  |  |  |  |  |  |  |  |  |  |  |  |  |  |  |  |  |  |  |  |  |  |  |  |  |  |
| D                | RW  | RESULTDONE |          |       | Write '1' to Enable interrupt for RESULTDONE event<br>See <a href="#">EVENTS_RESULTDONE</a> |  |  |  |  |  |  |  |  |  |  |  |  |  |  |  |  |  |  |  |  |  |  |  |  |  |  |
|                  |   |            | Set      | 1     | Enable  |  |  |  |  |  |  |  |  |  |  |  |  |  |  |  |  |  |  |  |  |  |  |  |  |  |  |
|                  |   |            | Disabled | 0     | Read: Disabled  |  |  |  |  |  |  |  |  |  |  |  |  |  |  |  |  |  |  |  |  |  |  |  |  |  |  |
|                  |   |            | Enabled  | 1     | Read: Enabled   |  |  |  |  |  |  |  |  |  |  |  |  |  |  |  |  |  |  |  |  |  |  |  |  |  |  |



| Bit number       |   |               |          |       |   |  |  |  |  |  |  |  |  |  |  |  |  |  |  |  |  |  |  |  |  |  |  |  |  |  |  |
|------------------|---|---------------|----------|-------|---|--|--|--|--|--|--|--|--|--|--|--|--|--|--|--|--|--|--|--|--|--|--|--|--|--|--|
| Id               | V U T S R Q P O N M L K J I H G F E D C B A                               |               |          |       |   |  |  |  |  |  |  |  |  |  |  |  |  |  |  |  |  |  |  |  |  |  |  |  |  |  |  |
| Reset 0x00000000 | 0 |               |          |       |   |  |  |  |  |  |  |  |  |  |  |  |  |  |  |  |  |  |  |  |  |  |  |  |  |  |  |
| Id               | RW  | Field         | Value Id | Value | Description   |  |  |  |  |  |  |  |  |  |  |  |  |  |  |  |  |  |  |  |  |  |  |  |  |  |  |
| E                | RW  | CALIBRATEDONE |          |       | Write '1' to Enable interrupt for CALIBRATEDONE event<br><br>See <a href="#">EVENTS_CALIBRATEDONE</a> |  |  |  |  |  |  |  |  |  |  |  |  |  |  |  |  |  |  |  |  |  |  |  |  |  |  |
|                  |   |               | Set      | 1     | Enable  |  |  |  |  |  |  |  |  |  |  |  |  |  |  |  |  |  |  |  |  |  |  |  |  |  |  |
|                  |   |               | Disabled | 0     | Read: Disabled  |  |  |  |  |  |  |  |  |  |  |  |  |  |  |  |  |  |  |  |  |  |  |  |  |  |  |
|                  |   |               | Enabled  | 1     | Read: Enabled   |  |  |  |  |  |  |  |  |  |  |  |  |  |  |  |  |  |  |  |  |  |  |  |  |  |  |
| F                | RW  | STOPPED       |          |       | Write '1' to Enable interrupt for STOPPED event<br><br>See <a href="#">EVENTS_STOPPED</a>             |  |  |  |  |  |  |  |  |  |  |  |  |  |  |  |  |  |  |  |  |  |  |  |  |  |  |
|                  |   |               | Set      | 1     | Enable  |  |  |  |  |  |  |  |  |  |  |  |  |  |  |  |  |  |  |  |  |  |  |  |  |  |  |
|                  |   |               | Disabled | 0     | Read: Disabled  |  |  |  |  |  |  |  |  |  |  |  |  |  |  |  |  |  |  |  |  |  |  |  |  |  |  |
|                  |   |               | Enabled  | 1     | Read: Enabled   |  |  |  |  |  |  |  |  |  |  |  |  |  |  |  |  |  |  |  |  |  |  |  |  |  |  |
| G                | RW  | CH0LIMITH     |          |       | Write '1' to Enable interrupt for CH[0].LIMITH event<br><br>See <a href="#">EVENTS_CH[0].LIMITH</a>   |  |  |  |  |  |  |  |  |  |  |  |  |  |  |  |  |  |  |  |  |  |  |  |  |  |  |
|                  |   |               | Set      | 1     | Enable  |  |  |  |  |  |  |  |  |  |  |  |  |  |  |  |  |  |  |  |  |  |  |  |  |  |  |
|                  |   |               | Disabled | 0     | Read: Disabled  |  |  |  |  |  |  |  |  |  |  |  |  |  |  |  |  |  |  |  |  |  |  |  |  |  |  |
|                  |   |               | Enabled  | 1     | Read: Enabled   |  |  |  |  |  |  |  |  |  |  |  |  |  |  |  |  |  |  |  |  |  |  |  |  |  |  |
| H                | RW  | CH0LIMITL     |          |       | Write '1' to Enable interrupt for CH[0].LIMITL event<br><br>See <a href="#">EVENTS_CH[0].LIMITL</a>   |  |  |  |  |  |  |  |  |  |  |  |  |  |  |  |  |  |  |  |  |  |  |  |  |  |  |
|                  |   |               | Set      | 1     | Enable  |  |  |  |  |  |  |  |  |  |  |  |  |  |  |  |  |  |  |  |  |  |  |  |  |  |  |
|                  |   |               | Disabled | 0     | Read: Disabled  |  |  |  |  |  |  |  |  |  |  |  |  |  |  |  |  |  |  |  |  |  |  |  |  |  |  |
|                  |   |               | Enabled  | 1     | Read: Enabled   |  |  |  |  |  |  |  |  |  |  |  |  |  |  |  |  |  |  |  |  |  |  |  |  |  |  |
| I                | RW  | CH1LIMITH     |          |       | Write '1' to Enable interrupt for CH[1].LIMITH event<br><br>See <a href="#">EVENTS_CH[1].LIMITH</a>   |  |  |  |  |  |  |  |  |  |  |  |  |  |  |  |  |  |  |  |  |  |  |  |  |  |  |
|                  |   |               | Set      | 1     | Enable  |  |  |  |  |  |  |  |  |  |  |  |  |  |  |  |  |  |  |  |  |  |  |  |  |  |  |
|                  |   |               | Disabled | 0     | Read: Disabled  |  |  |  |  |  |  |  |  |  |  |  |  |  |  |  |  |  |  |  |  |  |  |  |  |  |  |
|                  |   |               | Enabled  | 1     | Read: Enabled   |  |  |  |  |  |  |  |  |  |  |  |  |  |  |  |  |  |  |  |  |  |  |  |  |  |  |
| J                | RW  | CH1LIMITL     |          |       | Write '1' to Enable interrupt for CH[1].LIMITL event<br><br>See <a href="#">EVENTS_CH[1].LIMITL</a>   |  |  |  |  |  |  |  |  |  |  |  |  |  |  |  |  |  |  |  |  |  |  |  |  |  |  |
|                  |   |               | Set      | 1     | Enable  |  |  |  |  |  |  |  |  |  |  |  |  |  |  |  |  |  |  |  |  |  |  |  |  |  |  |
|                  |   |               | Disabled | 0     | Read: Disabled  |  |  |  |  |  |  |  |  |  |  |  |  |  |  |  |  |  |  |  |  |  |  |  |  |  |  |
|                  |   |               | Enabled  | 1     | Read: Enabled   |  |  |  |  |  |  |  |  |  |  |  |  |  |  |  |  |  |  |  |  |  |  |  |  |  |  |
| K                | RW  | CH2LIMITH     |          |       | Write '1' to Enable interrupt for CH[2].LIMITH event<br><br>See <a href="#">EVENTS_CH[2].LIMITH</a>   |  |  |  |  |  |  |  |  |  |  |  |  |  |  |  |  |  |  |  |  |  |  |  |  |  |  |
|                  |   |               | Set      | 1     | Enable  |  |  |  |  |  |  |  |  |  |  |  |  |  |  |  |  |  |  |  |  |  |  |  |  |  |  |
|                  |   |               | Disabled | 0     | Read: Disabled  |  |  |  |  |  |  |  |  |  |  |  |  |  |  |  |  |  |  |  |  |  |  |  |  |  |  |
|                  |   |               | Enabled  | 1     | Read: Enabled   |  |  |  |  |  |  |  |  |  |  |  |  |  |  |  |  |  |  |  |  |  |  |  |  |  |  |
| L                | RW  | CH2LIMITL     |          |       | Write '1' to Enable interrupt for CH[2].LIMITL event<br><br>See <a href="#">EVENTS_CH[2].LIMITL</a>   |  |  |  |  |  |  |  |  |  |  |  |  |  |  |  |  |  |  |  |  |  |  |  |  |  |  |
|                  |   |               | Set      | 1     | Enable  |  |  |  |  |  |  |  |  |  |  |  |  |  |  |  |  |  |  |  |  |  |  |  |  |  |  |
|                  |   |               | Disabled | 0     | Read: Disabled  |  |  |  |  |  |  |  |  |  |  |  |  |  |  |  |  |  |  |  |  |  |  |  |  |  |  |
|                  |   |               | Enabled  | 1     | Read: Enabled   |  |  |  |  |  |  |  |  |  |  |  |  |  |  |  |  |  |  |  |  |  |  |  |  |  |  |
| M                | RW  | CH3LIMITH     |          |       | Write '1' to Enable interrupt for CH[3].LIMITH event<br><br>See <a href="#">EVENTS_CH[3].LIMITH</a>   |  |  |  |  |  |  |  |  |  |  |  |  |  |  |  |  |  |  |  |  |  |  |  |  |  |  |
|                  |   |               | Set      | 1     | Enable  |  |  |  |  |  |  |  |  |  |  |  |  |  |  |  |  |  |  |  |  |  |  |  |  |  |  |
|                  |   |               | Disabled | 0     | Read: Disabled  |  |  |  |  |  |  |  |  |  |  |  |  |  |  |  |  |  |  |  |  |  |  |  |  |  |  |
|                  |   |               | Enabled  | 1     | Read: Enabled   |  |  |  |  |  |  |  |  |  |  |  |  |  |  |  |  |  |  |  |  |  |  |  |  |  |  |
| N                | RW  | CH3LIMITL     |          |       | Write '1' to Enable interrupt for CH[3].LIMITL event<br><br>See <a href="#">EVENTS_CH[3].LIMITL</a>   |  |  |  |  |  |  |  |  |  |  |  |  |  |  |  |  |  |  |  |  |  |  |  |  |  |  |
|                  |   |               | Set      | 1     | Enable  |  |  |  |  |  |  |  |  |  |  |  |  |  |  |  |  |  |  |  |  |  |  |  |  |  |  |
|                  |   |               | Disabled | 0     | Read: Disabled  |  |  |  |  |  |  |  |  |  |  |  |  |  |  |  |  |  |  |  |  |  |  |  |  |  |  |
|                  |   |               | Enabled  | 1     | Read: Enabled   |  |  |  |  |  |  |  |  |  |  |  |  |  |  |  |  |  |  |  |  |  |  |  |  |  |  |
| O                | RW  | CH4LIMITH     |          |       | Write '1' to Enable interrupt for CH[4].LIMITH event  |  |  |  |  |  |  |  |  |  |  |  |  |  |  |  |  |  |  |  |  |  |  |  |  |  |  |

|                  |    |    |    |    |    |    |    |    |    |    |    |    |    |    |    |    |    |    |    |    |    |    |   |   |   |   |   |   |   |   |   |   |
|------------------|----|----|----|----|----|----|----|----|----|----|----|----|----|----|----|----|----|----|----|----|----|----|---|---|---|---|---|---|---|---|---|---|
| Bit number       | 31 | 30 | 29 | 28 | 27 | 26 | 25 | 24 | 23 | 22 | 21 | 20 | 19 | 18 | 17 | 16 | 15 | 14 | 13 | 12 | 11 | 10 | 9 | 8 | 7 | 6 | 5 | 4 | 3 | 2 | 1 | 0 |
| Id               |    |    |    |    |    |    |    |    |    |    | V  | U  | T  | S  | R  | Q  | P  | O  | N  | M  | L  | K  | J | I | H | G | F | E | D | C | B | A |
| Reset 0x00000000 | 0  | 0  | 0  | 0  | 0  | 0  | 0  | 0  | 0  | 0  | 0  | 0  | 0  | 0  | 0  | 0  | 0  | 0  | 0  | 0  | 0  | 0  | 0 | 0 | 0 | 0 | 0 | 0 | 0 | 0 | 0 | 0 |

| Id | RW | Field     | Value Id | Value | Description  |
|----|----|-----------|----------|-------|--|
|    |    |           |          |       | See <a href="#">EVENTS_CH[4].LIMITH</a>              |
|    |    |           | Set      | 1     | Enable   |
|    |    |           | Disabled | 0     | Read: Disabled                                       |
|    |    |           | Enabled  | 1     | Read: Enabled  |
| P  | RW | CH4LIMITL |          |       | Write '1' to Enable interrupt for CH[4].LIMITL event |
|    |    |           |          |       | See <a href="#">EVENTS_CH[4].LIMITL</a>              |
|    |    |           | Set      | 1     | Enable   |
|    |    |           | Disabled | 0     | Read: Disabled                                       |
|    |    |           | Enabled  | 1     | Read: Enabled  |
| Q  | RW | CH5LIMITH |          |       | Write '1' to Enable interrupt for CH[5].LIMITH event |
|    |    |           |          |       | See <a href="#">EVENTS_CH[5].LIMITH</a>              |
|    |    |           | Set      | 1     | Enable   |
|    |    |           | Disabled | 0     | Read: Disabled                                       |
|    |    |           | Enabled  | 1     | Read: Enabled  |
| R  | RW | CH5LIMITL |          |       | Write '1' to Enable interrupt for CH[5].LIMITL event |
|    |    |           |          |       | See <a href="#">EVENTS_CH[5].LIMITL</a>              |
|    |    |           | Set      | 1     | Enable   |
|    |    |           | Disabled | 0     | Read: Disabled                                       |
|    |    |           | Enabled  | 1     | Read: Enabled  |
| S  | RW | CH6LIMITH |          |       | Write '1' to Enable interrupt for CH[6].LIMITH event |
|    |    |           |          |       | See <a href="#">EVENTS_CH[6].LIMITH</a>              |
|    |    |           | Set      | 1     | Enable   |
|    |    |           | Disabled | 0     | Read: Disabled                                       |
|    |    |           | Enabled  | 1     | Read: Enabled  |
| T  | RW | CH6LIMITL |          |       | Write '1' to Enable interrupt for CH[6].LIMITL event |
|    |    |           |          |       | See <a href="#">EVENTS_CH[6].LIMITL</a>              |
|    |    |           | Set      | 1     | Enable   |
|    |    |           | Disabled | 0     | Read: Disabled                                       |
|    |    |           | Enabled  | 1     | Read: Enabled  |
| U  | RW | CH7LIMITH |          |       | Write '1' to Enable interrupt for CH[7].LIMITH event |
|    |    |           |          |       | See <a href="#">EVENTS_CH[7].LIMITH</a>              |
|    |    |           | Set      | 1     | Enable   |
|    |    |           | Disabled | 0     | Read: Disabled                                       |
|    |    |           | Enabled  | 1     | Read: Enabled  |
| V  | RW | CH7LIMITL |          |       | Write '1' to Enable interrupt for CH[7].LIMITL event |
|    |    |           |          |       | See <a href="#">EVENTS_CH[7].LIMITL</a>              |
|    |    |           | Set      | 1     | Enable   |
|    |    |           | Disabled | 0     | Read: Disabled                                       |
|    |    |           | Enabled  | 1     | Read: Enabled  |

### 37.11.3 INTENCLR

Address offset: 0x308

Disable interrupt

|                  |    |    |    |    |    |    |    |    |    |    |    |    |    |    |    |    |    |    |    |    |    |    |   |   |   |   |   |   |   |   |   |   |
|------------------|----|----|----|----|----|----|----|----|----|----|----|----|----|----|----|----|----|----|----|----|----|----|---|---|---|---|---|---|---|---|---|---|
| Bit number       | 31 | 30 | 29 | 28 | 27 | 26 | 25 | 24 | 23 | 22 | 21 | 20 | 19 | 18 | 17 | 16 | 15 | 14 | 13 | 12 | 11 | 10 | 9 | 8 | 7 | 6 | 5 | 4 | 3 | 2 | 1 | 0 |
| Id               |    |    |    |    |    |    |    |    |    |    |    |    |    |    |    |    |    |    |    |    |    |    |   |   |   |   |   |   |   |   |   |   |
| Reset 0x00000000 | 0  | 0  | 0  | 0  | 0  | 0  | 0  | 0  | 0  | 0  | 0  | 0  | 0  | 0  | 0  | 0  | 0  | 0  | 0  | 0  | 0  | 0  | 0 | 0 | 0 | 0 | 0 | 0 | 0 | 0 | 0 |   |

| Id | RW | Field   | Value Id | Value | Description                                      |
|----|----|---------|----------|-------|--|
| A  | RW | STARTED |          |       | Write '1' to Disable interrupt for STARTED event |
|    |    |         |          |       | See <a href="#">EVENTS_STARTED</a>               |
|    |    |         | Clear    | 1     | Disable  |

| Bit number       |   |               |          |       |  |  |  |  |  |  |  |  |  |  |  |  |  |  |  |  |  |  |  |  |  |  |  |  |  |  |  |  |
|------------------|---|---------------|----------|-------|--|--|--|--|--|--|--|--|--|--|--|--|--|--|--|--|--|--|--|--|--|--|--|--|--|--|--|--|
| Id               |   |               |          |       |  |  |  |  |  |  |  |  |  |  |  |  |  |  |  |  |  |  |  |  |  |  |  |  |  |  |  |  |
| Reset 0x00000000 | 0 |               |          |       |  |  |  |  |  |  |  |  |  |  |  |  |  |  |  |  |  |  |  |  |  |  |  |  |  |  |  |  |
| Id               | RW  | Field         | Value Id | Value | Description  |  |  |  |  |  |  |  |  |  |  |  |  |  |  |  |  |  |  |  |  |  |  |  |  |  |  |  |
|                  |   |               | Disabled | 0     | Read: Disabled   |  |  |  |  |  |  |  |  |  |  |  |  |  |  |  |  |  |  |  |  |  |  |  |  |  |  |  |
|                  |   |               | Enabled  | 1     | Read: Enabled  |  |  |  |  |  |  |  |  |  |  |  |  |  |  |  |  |  |  |  |  |  |  |  |  |  |  |  |
| B                | RW  | END           |          |       | Write '1' to Disable interrupt for END event<br><br>See <a href="#">EVENTS_END</a>                     |  |  |  |  |  |  |  |  |  |  |  |  |  |  |  |  |  |  |  |  |  |  |  |  |  |  |  |
|                  |   |               | Clear    | 1     | Disable  |  |  |  |  |  |  |  |  |  |  |  |  |  |  |  |  |  |  |  |  |  |  |  |  |  |  |  |
|                  |   |               | Disabled | 0     | Read: Disabled   |  |  |  |  |  |  |  |  |  |  |  |  |  |  |  |  |  |  |  |  |  |  |  |  |  |  |  |
|                  |   |               | Enabled  | 1     | Read: Enabled  |  |  |  |  |  |  |  |  |  |  |  |  |  |  |  |  |  |  |  |  |  |  |  |  |  |  |  |
| C                | RW  | DONE          |          |       | Write '1' to Disable interrupt for DONE event<br><br>See <a href="#">EVENTS_DONE</a>                   |  |  |  |  |  |  |  |  |  |  |  |  |  |  |  |  |  |  |  |  |  |  |  |  |  |  |  |
|                  |   |               | Clear    | 1     | Disable  |  |  |  |  |  |  |  |  |  |  |  |  |  |  |  |  |  |  |  |  |  |  |  |  |  |  |  |
|                  |   |               | Disabled | 0     | Read: Disabled   |  |  |  |  |  |  |  |  |  |  |  |  |  |  |  |  |  |  |  |  |  |  |  |  |  |  |  |
|                  |   |               | Enabled  | 1     | Read: Enabled  |  |  |  |  |  |  |  |  |  |  |  |  |  |  |  |  |  |  |  |  |  |  |  |  |  |  |  |
| D                | RW  | RESULTDONE    |          |       | Write '1' to Disable interrupt for RESULTDONE event<br><br>See <a href="#">EVENTS_RESULTDONE</a>       |  |  |  |  |  |  |  |  |  |  |  |  |  |  |  |  |  |  |  |  |  |  |  |  |  |  |  |
|                  |   |               | Clear    | 1     | Disable  |  |  |  |  |  |  |  |  |  |  |  |  |  |  |  |  |  |  |  |  |  |  |  |  |  |  |  |
|                  |   |               | Disabled | 0     | Read: Disabled   |  |  |  |  |  |  |  |  |  |  |  |  |  |  |  |  |  |  |  |  |  |  |  |  |  |  |  |
|                  |   |               | Enabled  | 1     | Read: Enabled  |  |  |  |  |  |  |  |  |  |  |  |  |  |  |  |  |  |  |  |  |  |  |  |  |  |  |  |
| E                | RW  | CALIBRATEDONE |          |       | Write '1' to Disable interrupt for CALIBRATEDONE event<br><br>See <a href="#">EVENTS_CALIBRATEDONE</a> |  |  |  |  |  |  |  |  |  |  |  |  |  |  |  |  |  |  |  |  |  |  |  |  |  |  |  |
|                  |   |               | Clear    | 1     | Disable  |  |  |  |  |  |  |  |  |  |  |  |  |  |  |  |  |  |  |  |  |  |  |  |  |  |  |  |
|                  |   |               | Disabled | 0     | Read: Disabled   |  |  |  |  |  |  |  |  |  |  |  |  |  |  |  |  |  |  |  |  |  |  |  |  |  |  |  |
|                  |   |               | Enabled  | 1     | Read: Enabled  |  |  |  |  |  |  |  |  |  |  |  |  |  |  |  |  |  |  |  |  |  |  |  |  |  |  |  |
| F                | RW  | STOPPED       |          |       | Write '1' to Disable interrupt for STOPPED event<br><br>See <a href="#">EVENTS_STOPPED</a>             |  |  |  |  |  |  |  |  |  |  |  |  |  |  |  |  |  |  |  |  |  |  |  |  |  |  |  |
|                  |   |               | Clear    | 1     | Disable  |  |  |  |  |  |  |  |  |  |  |  |  |  |  |  |  |  |  |  |  |  |  |  |  |  |  |  |
|                  |   |               | Disabled | 0     | Read: Disabled   |  |  |  |  |  |  |  |  |  |  |  |  |  |  |  |  |  |  |  |  |  |  |  |  |  |  |  |
|                  |   |               | Enabled  | 1     | Read: Enabled  |  |  |  |  |  |  |  |  |  |  |  |  |  |  |  |  |  |  |  |  |  |  |  |  |  |  |  |
| G                | RW  | CH0LIMITH     |          |       | Write '1' to Disable interrupt for CH[0].LIMITH event<br><br>See <a href="#">EVENTS_CH[0].LIMITH</a>   |  |  |  |  |  |  |  |  |  |  |  |  |  |  |  |  |  |  |  |  |  |  |  |  |  |  |  |
|                  |   |               | Clear    | 1     | Disable  |  |  |  |  |  |  |  |  |  |  |  |  |  |  |  |  |  |  |  |  |  |  |  |  |  |  |  |
|                  |   |               | Disabled | 0     | Read: Disabled   |  |  |  |  |  |  |  |  |  |  |  |  |  |  |  |  |  |  |  |  |  |  |  |  |  |  |  |
|                  |   |               | Enabled  | 1     | Read: Enabled  |  |  |  |  |  |  |  |  |  |  |  |  |  |  |  |  |  |  |  |  |  |  |  |  |  |  |  |
| H                | RW  | CH0LIMITL     |          |       | Write '1' to Disable interrupt for CH[0].LIMITL event<br><br>See <a href="#">EVENTS_CH[0].LIMITL</a>   |  |  |  |  |  |  |  |  |  |  |  |  |  |  |  |  |  |  |  |  |  |  |  |  |  |  |  |
|                  |   |               | Clear    | 1     | Disable  |  |  |  |  |  |  |  |  |  |  |  |  |  |  |  |  |  |  |  |  |  |  |  |  |  |  |  |
|                  |   |               | Disabled | 0     | Read: Disabled   |  |  |  |  |  |  |  |  |  |  |  |  |  |  |  |  |  |  |  |  |  |  |  |  |  |  |  |
|                  |   |               | Enabled  | 1     | Read: Enabled  |  |  |  |  |  |  |  |  |  |  |  |  |  |  |  |  |  |  |  |  |  |  |  |  |  |  |  |
| I                | RW  | CH1LIMITH     |          |       | Write '1' to Disable interrupt for CH[1].LIMITH event<br><br>See <a href="#">EVENTS_CH[1].LIMITH</a>   |  |  |  |  |  |  |  |  |  |  |  |  |  |  |  |  |  |  |  |  |  |  |  |  |  |  |  |
|                  |   |               | Clear    | 1     | Disable  |  |  |  |  |  |  |  |  |  |  |  |  |  |  |  |  |  |  |  |  |  |  |  |  |  |  |  |
|                  |   |               | Disabled | 0     | Read: Disabled   |  |  |  |  |  |  |  |  |  |  |  |  |  |  |  |  |  |  |  |  |  |  |  |  |  |  |  |
|                  |   |               | Enabled  | 1     | Read: Enabled  |  |  |  |  |  |  |  |  |  |  |  |  |  |  |  |  |  |  |  |  |  |  |  |  |  |  |  |
| J                | RW  | CH1LIMITL     |          |       | Write '1' to Disable interrupt for CH[1].LIMITL event<br><br>See <a href="#">EVENTS_CH[1].LIMITL</a>   |  |  |  |  |  |  |  |  |  |  |  |  |  |  |  |  |  |  |  |  |  |  |  |  |  |  |  |
|                  |   |               | Clear    | 1     | Disable  |  |  |  |  |  |  |  |  |  |  |  |  |  |  |  |  |  |  |  |  |  |  |  |  |  |  |  |
|                  |   |               | Disabled | 0     | Read: Disabled   |  |  |  |  |  |  |  |  |  |  |  |  |  |  |  |  |  |  |  |  |  |  |  |  |  |  |  |
|                  |   |               | Enabled  | 1     | Read: Enabled  |  |  |  |  |  |  |  |  |  |  |  |  |  |  |  |  |  |  |  |  |  |  |  |  |  |  |  |
| K                | RW  | CH2LIMITH     |          |       | Write '1' to Disable interrupt for CH[2].LIMITH event<br><br>See <a href="#">EVENTS_CH[2].LIMITH</a>   |  |  |  |  |  |  |  |  |  |  |  |  |  |  |  |  |  |  |  |  |  |  |  |  |  |  |  |
|                  |   |               | Clear    | 1     | Disable  |  |  |  |  |  |  |  |  |  |  |  |  |  |  |  |  |  |  |  |  |  |  |  |  |  |  |  |
|                  |   |               | Disabled | 0     | Read: Disabled   |  |  |  |  |  |  |  |  |  |  |  |  |  |  |  |  |  |  |  |  |  |  |  |  |  |  |  |

|                  |    |    |    |    |    |    |    |    |    |    |    |    |    |    |    |    |    |    |    |    |    |    |   |   |   |   |   |   |   |   |   |   |   |   |   |   |   |   |
|------------------|----|----|----|----|----|----|----|----|----|----|----|----|----|----|----|----|----|----|----|----|----|----|---|---|---|---|---|---|---|---|---|---|---|---|---|---|---|---|
| Bit number       | 31 | 30 | 29 | 28 | 27 | 26 | 25 | 24 | 23 | 22 | 21 | 20 | 19 | 18 | 17 | 16 | 15 | 14 | 13 | 12 | 11 | 10 | 9 | 8 | 7 | 6 | 5 | 4 | 3 | 2 | 1 | 0 |   |   |   |   |   |   |
| Id               |    |    |    |    |    |    |    |    |    |    |    |    |    |    |    |    | V  | U  | T  | S  | R  | Q  | P | O | N | M | L | K | J | I | H | G | F | E | D | C | B | A |
| Reset 0x00000000 | 0  | 0  | 0  | 0  | 0  | 0  | 0  | 0  | 0  | 0  | 0  | 0  | 0  | 0  | 0  | 0  | 0  | 0  | 0  | 0  | 0  | 0  | 0 | 0 | 0 | 0 | 0 | 0 | 0 | 0 | 0 | 0 | 0 |   |   |   |   |   |

| Id | RW | Field     | Value Id | Value | Description  |
|----|----|-----------|----------|-------|--|
|    |    |           | Enabled  | 1     | Read: Enabled  |
| L  | RW | CH2LIMITL |          |       | Write '1' to Disable interrupt for CH[2].LIMITL event<br>See <a href="#">EVENTS_CH[2].LIMITL</a> |
|    |    |           | Clear    | 1     | Disable  |
|    |    |           | Disabled | 0     | Read: Disabled   |
|    |    |           | Enabled  | 1     | Read: Enabled  |
| M  | RW | CH3LIMITH |          |       | Write '1' to Disable interrupt for CH[3].LIMITH event<br>See <a href="#">EVENTS_CH[3].LIMITH</a> |
|    |    |           | Clear    | 1     | Disable  |
|    |    |           | Disabled | 0     | Read: Disabled   |
|    |    |           | Enabled  | 1     | Read: Enabled  |
| N  | RW | CH3LIMITL |          |       | Write '1' to Disable interrupt for CH[3].LIMITL event<br>See <a href="#">EVENTS_CH[3].LIMITL</a> |
|    |    |           | Clear    | 1     | Disable  |
|    |    |           | Disabled | 0     | Read: Disabled   |
|    |    |           | Enabled  | 1     | Read: Enabled  |
| O  | RW | CH4LIMITH |          |       | Write '1' to Disable interrupt for CH[4].LIMITH event<br>See <a href="#">EVENTS_CH[4].LIMITH</a> |
|    |    |           | Clear    | 1     | Disable  |
|    |    |           | Disabled | 0     | Read: Disabled   |
|    |    |           | Enabled  | 1     | Read: Enabled  |
| P  | RW | CH4LIMITL |          |       | Write '1' to Disable interrupt for CH[4].LIMITL event<br>See <a href="#">EVENTS_CH[4].LIMITL</a> |
|    |    |           | Clear    | 1     | Disable  |
|    |    |           | Disabled | 0     | Read: Disabled   |
|    |    |           | Enabled  | 1     | Read: Enabled  |
| Q  | RW | CH5LIMITH |          |       | Write '1' to Disable interrupt for CH[5].LIMITH event<br>See <a href="#">EVENTS_CH[5].LIMITH</a> |
|    |    |           | Clear    | 1     | Disable  |
|    |    |           | Disabled | 0     | Read: Disabled   |
|    |    |           | Enabled  | 1     | Read: Enabled  |
| R  | RW | CH5LIMITL |          |       | Write '1' to Disable interrupt for CH[5].LIMITL event<br>See <a href="#">EVENTS_CH[5].LIMITL</a> |
|    |    |           | Clear    | 1     | Disable  |
|    |    |           | Disabled | 0     | Read: Disabled   |
|    |    |           | Enabled  | 1     | Read: Enabled  |
| S  | RW | CH6LIMITH |          |       | Write '1' to Disable interrupt for CH[6].LIMITH event<br>See <a href="#">EVENTS_CH[6].LIMITH</a> |
|    |    |           | Clear    | 1     | Disable  |
|    |    |           | Disabled | 0     | Read: Disabled   |
|    |    |           | Enabled  | 1     | Read: Enabled  |
| T  | RW | CH6LIMITL |          |       | Write '1' to Disable interrupt for CH[6].LIMITL event<br>See <a href="#">EVENTS_CH[6].LIMITL</a> |
|    |    |           | Clear    | 1     | Disable  |
|    |    |           | Disabled | 0     | Read: Disabled   |
|    |    |           | Enabled  | 1     | Read: Enabled  |
| U  | RW | CH7LIMITH |          |       | Write '1' to Disable interrupt for CH[7].LIMITH event<br>See <a href="#">EVENTS_CH[7].LIMITH</a> |
|    |    |           | Clear    | 1     | Disable  |
|    |    |           | Disabled | 0     | Read: Disabled   |
|    |    |           | Enabled  | 1     | Read: Enabled  |

| Bit number       | 31 | 30        | 29       | 28    | 27   | 26 | 25 | 24 | 23 | 22 | 21 | 20 | 19 | 18 | 17 | 16 | 15 | 14 | 13 | 12 | 11 | 10 | 9 | 8 | 7 | 6 | 5 | 4 | 3 | 2 | 1 | 0 |   |   |   |   |   |   |
|------------------|----|-----------|----------|-------|--|----|----|----|----|----|----|----|----|----|----|----|----|----|----|----|----|----|---|---|---|---|---|---|---|---|---|---|---|---|---|---|---|---|
| Id               |    |           |          |       |  |    |    |    |    |    |    |    |    |    |    |    | V  | U  | T  | S  | R  | Q  | P | O | N | M | L | K | J | I | H | G | F | E | D | C | B | A |
| Reset 0x00000000 | 0  | 0         | 0        | 0     | 0  | 0  | 0  | 0  | 0  | 0  | 0  | 0  | 0  | 0  | 0  | 0  | 0  | 0  | 0  | 0  | 0  | 0  | 0 | 0 | 0 | 0 | 0 | 0 | 0 | 0 | 0 | 0 | 0 |   |   |   |   |   |
| Id               | RW | Field     | Value Id | Value | Description  |    |    |    |    |    |    |    |    |    |    |    |    |    |    |    |    |    |   |   |   |   |   |   |   |   |   |   |   |   |   |   |   |   |
| V                | RW | CH7LIMITL |          |       | Write '1' to Disable interrupt for CH[7].LIMITL event<br>See <a href="#">EVENTS_CH[7].LIMITL</a> |    |    |    |    |    |    |    |    |    |    |    |    |    |    |    |    |    |   |   |   |   |   |   |   |   |   |   |   |   |   |   |   |   |
|                  |    |           | Clear    | 1     | Disable  |    |    |    |    |    |    |    |    |    |    |    |    |    |    |    |    |    |   |   |   |   |   |   |   |   |   |   |   |   |   |   |   |   |
|                  |    |           | Disabled | 0     | Read: Disabled   |    |    |    |    |    |    |    |    |    |    |    |    |    |    |    |    |    |   |   |   |   |   |   |   |   |   |   |   |   |   |   |   |   |
|                  |    |           | Enabled  | 1     | Read: Enabled  |    |    |    |    |    |    |    |    |    |    |    |    |    |    |    |    |    |   |   |   |   |   |   |   |   |   |   |   |   |   |   |   |   |

### 37.11.4 STATUS

Address offset: 0x400

Status

| Bit number       | 31 | 30     | 29       | 28    | 27                                    | 26 | 25 | 24 | 23 | 22 | 21 | 20 | 19 | 18 | 17 | 16 | 15 | 14 | 13 | 12 | 11 | 10 | 9 | 8 | 7 | 6 | 5 | 4 | 3 | 2 | 1 | 0 |
|------------------|----|--------|----------|-------|---------------------------------------|----|----|----|----|----|----|----|----|----|----|----|----|----|----|----|----|----|---|---|---|---|---|---|---|---|---|---|
| Id               |    |        |          |       |                                       |    |    |    |    |    |    |    |    |    |    |    | A  |    |    |    |    |    |   |   |   |   |   |   |   |   |   |   |
| Reset 0x00000000 | 0  | 0      | 0        | 0     | 0                                     | 0  | 0  | 0  | 0  | 0  | 0  | 0  | 0  | 0  | 0  | 0  | 0  | 0  | 0  | 0  | 0  | 0  | 0 | 0 | 0 | 0 | 0 | 0 | 0 | 0 | 0 | 0 |
| Id               | RW | Field  | Value Id | Value | Description                           |    |    |    |    |    |    |    |    |    |    |    |    |    |    |    |    |    |   |   |   |   |   |   |   |   |   |   |
| A                | R  | STATUS |          |       | Status                                |    |    |    |    |    |    |    |    |    |    |    |    |    |    |    |    |    |   |   |   |   |   |   |   |   |   |   |
|                  |    |        | Ready    | 0     | ADC is ready. No on-going conversion. |    |    |    |    |    |    |    |    |    |    |    |    |    |    |    |    |    |   |   |   |   |   |   |   |   |   |   |
|                  |    |        | Busy     | 1     | ADC is busy. Conversion in progress.  |    |    |    |    |    |    |    |    |    |    |    |    |    |    |    |    |    |   |   |   |   |   |   |   |   |   |   |

### 37.11.5 ENABLE

Address offset: 0x500

Enable or disable ADC

| Bit number       | 31 | 30     | 29       | 28    | 27  | 26 | 25 | 24 | 23 | 22 | 21 | 20 | 19 | 18 | 17 | 16 | 15 | 14 | 13 | 12 | 11 | 10 | 9 | 8 | 7 | 6 | 5 | 4 | 3 | 2 | 1 | 0 |
|------------------|----|--------|----------|-------|---|----|----|----|----|----|----|----|----|----|----|----|----|----|----|----|----|----|---|---|---|---|---|---|---|---|---|---|
| Id               |    |        |          |       |   |    |    |    |    |    |    |    |    |    |    |    | A  |    |    |    |    |    |   |   |   |   |   |   |   |   |   |   |
| Reset 0x00000000 | 0  | 0      | 0        | 0     | 0   | 0  | 0  | 0  | 0  | 0  | 0  | 0  | 0  | 0  | 0  | 0  | 0  | 0  | 0  | 0  | 0  | 0  | 0 | 0 | 0 | 0 | 0 | 0 | 0 | 0 | 0 | 0 |
| Id               | RW | Field  | Value Id | Value | Description   |    |    |    |    |    |    |    |    |    |    |    |    |    |    |    |    |    |   |   |   |   |   |   |   |   |   |   |
| A                | RW | ENABLE |          |       | Enable or disable ADC   |    |    |    |    |    |    |    |    |    |    |    |    |    |    |    |    |    |   |   |   |   |   |   |   |   |   |   |
|                  |    |        | Disabled | 0     | Disable ADC   |    |    |    |    |    |    |    |    |    |    |    |    |    |    |    |    |    |   |   |   |   |   |   |   |   |   |   |
|                  |    |        | Enabled  | 1     | Enable ADC  |    |    |    |    |    |    |    |    |    |    |    |    |    |    |    |    |    |   |   |   |   |   |   |   |   |   |   |
|                  |    |        |          |       | When enabled, the ADC will acquire access to the analog input pins specified in the CH[n].PSEL and CH[n].PSELN registers. |    |    |    |    |    |    |    |    |    |    |    |    |    |    |    |    |    |   |   |   |   |   |   |   |   |   |   |

### 37.11.6 CH[0].PSEL

Address offset: 0x510

Input positive pin selection for CH[0]

| Bit number       | 31 | 30    | 29           | 28    | 27                            | 26 | 25 | 24 | 23 | 22 | 21 | 20 | 19 | 18 | 17 | 16 | 15        | 14 | 13 | 12 | 11 | 10 | 9 | 8 | 7 | 6 | 5 | 4 | 3 | 2 | 1 | 0 |
|------------------|----|-------|--------------|-------|-------------------------------|----|----|----|----|----|----|----|----|----|----|----|-----------|----|----|----|----|----|---|---|---|---|---|---|---|---|---|---|
| Id               |    |       |              |       |                               |    |    |    |    |    |    |    |    |    |    |    | A A A A A |    |    |    |    |    |   |   |   |   |   |   |   |   |   |   |
| Reset 0x00000000 | 0  | 0     | 0            | 0     | 0                             | 0  | 0  | 0  | 0  | 0  | 0  | 0  | 0  | 0  | 0  | 0  | 0         | 0  | 0  | 0  | 0  | 0  | 0 | 0 | 0 | 0 | 0 | 0 | 0 | 0 | 0 | 0 |
| Id               | RW | Field | Value Id     | Value | Description                   |    |    |    |    |    |    |    |    |    |    |    |           |    |    |    |    |    |   |   |   |   |   |   |   |   |   |   |
| A                | RW | PSEL  |              |       | Analog positive input channel |    |    |    |    |    |    |    |    |    |    |    |           |    |    |    |    |    |   |   |   |   |   |   |   |   |   |   |
|                  |    |       | NC           | 0     | Not connected                 |    |    |    |    |    |    |    |    |    |    |    |           |    |    |    |    |    |   |   |   |   |   |   |   |   |   |   |
|                  |    |       | AnalogInput0 | 1     | AIN0                          |    |    |    |    |    |    |    |    |    |    |    |           |    |    |    |    |    |   |   |   |   |   |   |   |   |   |   |
|                  |    |       | AnalogInput1 | 2     | AIN1                          |    |    |    |    |    |    |    |    |    |    |    |           |    |    |    |    |    |   |   |   |   |   |   |   |   |   |   |
|                  |    |       | AnalogInput2 | 3     | AIN2                          |    |    |    |    |    |    |    |    |    |    |    |           |    |    |    |    |    |   |   |   |   |   |   |   |   |   |   |
|                  |    |       | AnalogInput3 | 4     | AIN3                          |    |    |    |    |    |    |    |    |    |    |    |           |    |    |    |    |    |   |   |   |   |   |   |   |   |   |   |
|                  |    |       | AnalogInput4 | 5     | AIN4                          |    |    |    |    |    |    |    |    |    |    |    |           |    |    |    |    |    |   |   |   |   |   |   |   |   |   |   |
|                  |    |       | AnalogInput5 | 6     | AIN5                          |    |    |    |    |    |    |    |    |    |    |    |           |    |    |    |    |    |   |   |   |   |   |   |   |   |   |   |
|                  |    |       | AnalogInput6 | 7     | AIN6                          |    |    |    |    |    |    |    |    |    |    |    |           |    |    |    |    |    |   |   |   |   |   |   |   |   |   |   |
|                  |    |       | AnalogInput7 | 8     | AIN7                          |    |    |    |    |    |    |    |    |    |    |    |           |    |    |    |    |    |   |   |   |   |   |   |   |   |   |   |
|                  |    |       | VDD          | 9     | VDD                           |    |    |    |    |    |    |    |    |    |    |    |           |    |    |    |    |    |   |   |   |   |   |   |   |   |   |   |

### 37.11.7 CH[0].PSELN

Address offset: 0x514

Input negative pin selection for CH[0]

| Bit number       | 31 30 29 28 27 26 25 24 23 22 21 20 19 18 17 16 15 14 13 12 11 10 9 8 7 6 5 4 3 2 1 0 |       |              |       |   |  |  |  |  |  |  |  |  |  |  |  |  |  |  |  |  |  |  |  |  |  |  |  |   |   |   |   |   |
|------------------|---|-------|--------------|-------|---|--|--|--|--|--|--|--|--|--|--|--|--|--|--|--|--|--|--|--|--|--|--|--|---|---|---|---|---|
| Id               |   |       |              |       |   |  |  |  |  |  |  |  |  |  |  |  |  |  |  |  |  |  |  |  |  |  |  |  | A | A | A | A | A |
| Reset 0x00000000 | 0                       |       |              |       |   |  |  |  |  |  |  |  |  |  |  |  |  |  |  |  |  |  |  |  |  |  |  |  |   |   |   |   |   |
| Id               | RW  | Field | Value Id     | Value | Description   |  |  |  |  |  |  |  |  |  |  |  |  |  |  |  |  |  |  |  |  |  |  |  |   |   |   |   |   |
| A                | RW  | PSELN |              |       | Analog negative input, enables differential channel |  |  |  |  |  |  |  |  |  |  |  |  |  |  |  |  |  |  |  |  |  |  |  |   |   |   |   |   |
|                  |   |       | NC           | 0     | Not connected                                       |  |  |  |  |  |  |  |  |  |  |  |  |  |  |  |  |  |  |  |  |  |  |  |   |   |   |   |   |
|                  |   |       | AnalogInput0 | 1     | AIN0  |  |  |  |  |  |  |  |  |  |  |  |  |  |  |  |  |  |  |  |  |  |  |  |   |   |   |   |   |
|                  |   |       | AnalogInput1 | 2     | AIN1  |  |  |  |  |  |  |  |  |  |  |  |  |  |  |  |  |  |  |  |  |  |  |  |   |   |   |   |   |
|                  |   |       | AnalogInput2 | 3     | AIN2  |  |  |  |  |  |  |  |  |  |  |  |  |  |  |  |  |  |  |  |  |  |  |  |   |   |   |   |   |
|                  |   |       | AnalogInput3 | 4     | AIN3  |  |  |  |  |  |  |  |  |  |  |  |  |  |  |  |  |  |  |  |  |  |  |  |   |   |   |   |   |
|                  |   |       | AnalogInput4 | 5     | AIN4  |  |  |  |  |  |  |  |  |  |  |  |  |  |  |  |  |  |  |  |  |  |  |  |   |   |   |   |   |
|                  |   |       | AnalogInput5 | 6     | AIN5  |  |  |  |  |  |  |  |  |  |  |  |  |  |  |  |  |  |  |  |  |  |  |  |   |   |   |   |   |
|                  |   |       | AnalogInput6 | 7     | AIN6  |  |  |  |  |  |  |  |  |  |  |  |  |  |  |  |  |  |  |  |  |  |  |  |   |   |   |   |   |
|                  |   |       | AnalogInput7 | 8     | AIN7  |  |  |  |  |  |  |  |  |  |  |  |  |  |  |  |  |  |  |  |  |  |  |  |   |   |   |   |   |
|                  |   |       | VDD          | 9     | VDD   |  |  |  |  |  |  |  |  |  |  |  |  |  |  |  |  |  |  |  |  |  |  |  |   |   |   |   |   |

### 37.11.8 CH[0].CONFIG

Address offset: 0x518

Input configuration for CH[0]

| Bit number       | 31 30 29 28 27 26 25 24 23 22 21 20 19 18 17 16 15 14 13 12 11 10 9 8 7 6 5 4 3 2 1 0 |        |          |       |   |  |  |  |  |  |  |  |  |  |  |  |  |  |  |  |  |  |   |  |  |  |   |   |   |   |  |  |  |   |   |   |   |  |  |  |   |   |  |  |  |   |   |
|------------------|---|--------|----------|-------|---|--|--|--|--|--|--|--|--|--|--|--|--|--|--|--|--|--|---|--|--|--|---|---|---|---|--|--|--|---|---|---|---|--|--|--|---|---|--|--|--|---|---|
| Id               |   |        |          |       |   |  |  |  |  |  |  |  |  |  |  |  |  |  |  |  |  |  | G |  |  |  | F | E | E | E |  |  |  | D | C | C | C |  |  |  | B | B |  |  |  | A | A |
| Reset 0x00020000 | 0 0 0 0 0 0 0 0 0 0 0 0 0 0 0 1 0 0 0 0 0 0 0 0 0 0 0 0 0 0 0 0                       |        |          |       |   |  |  |  |  |  |  |  |  |  |  |  |  |  |  |  |  |  |   |  |  |  |   |   |   |   |  |  |  |   |   |   |   |  |  |  |   |   |  |  |  |   |   |
| Id               | RW  | Field  | Value Id | Value | Description   |  |  |  |  |  |  |  |  |  |  |  |  |  |  |  |  |  |   |  |  |  |   |   |   |   |  |  |  |   |   |   |   |  |  |  |   |   |  |  |  |   |   |
| A                | RW  | RESP   |          |       | Positive channel resistor control                                   |  |  |  |  |  |  |  |  |  |  |  |  |  |  |  |  |  |   |  |  |  |   |   |   |   |  |  |  |   |   |   |   |  |  |  |   |   |  |  |  |   |   |
|                  |   |        | Bypass   | 0     | Bypass resistor ladder  |  |  |  |  |  |  |  |  |  |  |  |  |  |  |  |  |  |   |  |  |  |   |   |   |   |  |  |  |   |   |   |   |  |  |  |   |   |  |  |  |   |   |
|                  |   |        | Pulldown | 1     | Pull-down to GND  |  |  |  |  |  |  |  |  |  |  |  |  |  |  |  |  |  |   |  |  |  |   |   |   |   |  |  |  |   |   |   |   |  |  |  |   |   |  |  |  |   |   |
|                  |   |        | Pullup   | 2     | Pull-up to VDD  |  |  |  |  |  |  |  |  |  |  |  |  |  |  |  |  |  |   |  |  |  |   |   |   |   |  |  |  |   |   |   |   |  |  |  |   |   |  |  |  |   |   |
|                  |   |        | VDD1_2   | 3     | Set input at VDD/2  |  |  |  |  |  |  |  |  |  |  |  |  |  |  |  |  |  |   |  |  |  |   |   |   |   |  |  |  |   |   |   |   |  |  |  |   |   |  |  |  |   |   |
| B                | RW  | RESN   |          |       | Negative channel resistor control                                   |  |  |  |  |  |  |  |  |  |  |  |  |  |  |  |  |  |   |  |  |  |   |   |   |   |  |  |  |   |   |   |   |  |  |  |   |   |  |  |  |   |   |
|                  |   |        | Bypass   | 0     | Bypass resistor ladder  |  |  |  |  |  |  |  |  |  |  |  |  |  |  |  |  |  |   |  |  |  |   |   |   |   |  |  |  |   |   |   |   |  |  |  |   |   |  |  |  |   |   |
|                  |   |        | Pulldown | 1     | Pull-down to GND  |  |  |  |  |  |  |  |  |  |  |  |  |  |  |  |  |  |   |  |  |  |   |   |   |   |  |  |  |   |   |   |   |  |  |  |   |   |  |  |  |   |   |
|                  |   |        | Pullup   | 2     | Pull-up to VDD  |  |  |  |  |  |  |  |  |  |  |  |  |  |  |  |  |  |   |  |  |  |   |   |   |   |  |  |  |   |   |   |   |  |  |  |   |   |  |  |  |   |   |
|                  |   |        | VDD1_2   | 3     | Set input at VDD/2  |  |  |  |  |  |  |  |  |  |  |  |  |  |  |  |  |  |   |  |  |  |   |   |   |   |  |  |  |   |   |   |   |  |  |  |   |   |  |  |  |   |   |
| C                | RW  | GAIN   |          |       | Gain control  |  |  |  |  |  |  |  |  |  |  |  |  |  |  |  |  |  |   |  |  |  |   |   |   |   |  |  |  |   |   |   |   |  |  |  |   |   |  |  |  |   |   |
|                  |   |        | Gain1_6  | 0     | 1/6   |  |  |  |  |  |  |  |  |  |  |  |  |  |  |  |  |  |   |  |  |  |   |   |   |   |  |  |  |   |   |   |   |  |  |  |   |   |  |  |  |   |   |
|                  |   |        | Gain1_5  | 1     | 1/5   |  |  |  |  |  |  |  |  |  |  |  |  |  |  |  |  |  |   |  |  |  |   |   |   |   |  |  |  |   |   |   |   |  |  |  |   |   |  |  |  |   |   |
|                  |   |        | Gain1_4  | 2     | 1/4   |  |  |  |  |  |  |  |  |  |  |  |  |  |  |  |  |  |   |  |  |  |   |   |   |   |  |  |  |   |   |   |   |  |  |  |   |   |  |  |  |   |   |
|                  |   |        | Gain1_3  | 3     | 1/3   |  |  |  |  |  |  |  |  |  |  |  |  |  |  |  |  |  |   |  |  |  |   |   |   |   |  |  |  |   |   |   |   |  |  |  |   |   |  |  |  |   |   |
|                  |   |        | Gain1_2  | 4     | 1/2   |  |  |  |  |  |  |  |  |  |  |  |  |  |  |  |  |  |   |  |  |  |   |   |   |   |  |  |  |   |   |   |   |  |  |  |   |   |  |  |  |   |   |
|                  |   |        | Gain1    | 5     | 1   |  |  |  |  |  |  |  |  |  |  |  |  |  |  |  |  |  |   |  |  |  |   |   |   |   |  |  |  |   |   |   |   |  |  |  |   |   |  |  |  |   |   |
|                  |   |        | Gain2    | 6     | 2   |  |  |  |  |  |  |  |  |  |  |  |  |  |  |  |  |  |   |  |  |  |   |   |   |   |  |  |  |   |   |   |   |  |  |  |   |   |  |  |  |   |   |
|                  |   |        | Gain4    | 7     | 4   |  |  |  |  |  |  |  |  |  |  |  |  |  |  |  |  |  |   |  |  |  |   |   |   |   |  |  |  |   |   |   |   |  |  |  |   |   |  |  |  |   |   |
| D                | RW  | REFSEL |          |       | Reference control   |  |  |  |  |  |  |  |  |  |  |  |  |  |  |  |  |  |   |  |  |  |   |   |   |   |  |  |  |   |   |   |   |  |  |  |   |   |  |  |  |   |   |
|                  |   |        | Internal | 0     | Internal reference (0.6 V)  |  |  |  |  |  |  |  |  |  |  |  |  |  |  |  |  |  |   |  |  |  |   |   |   |   |  |  |  |   |   |   |   |  |  |  |   |   |  |  |  |   |   |
|                  |   |        | VDD1_4   | 1     | VDD/4 as reference  |  |  |  |  |  |  |  |  |  |  |  |  |  |  |  |  |  |   |  |  |  |   |   |   |   |  |  |  |   |   |   |   |  |  |  |   |   |  |  |  |   |   |
| E                | RW  | TACQ   |          |       | Acquisition time, the time the ADC uses to sample the input voltage |  |  |  |  |  |  |  |  |  |  |  |  |  |  |  |  |  |   |  |  |  |   |   |   |   |  |  |  |   |   |   |   |  |  |  |   |   |  |  |  |   |   |
|                  |   |        | 3us      | 0     | 3 us  |  |  |  |  |  |  |  |  |  |  |  |  |  |  |  |  |  |   |  |  |  |   |   |   |   |  |  |  |   |   |   |   |  |  |  |   |   |  |  |  |   |   |
|                  |   |        | 5us      | 1     | 5 us  |  |  |  |  |  |  |  |  |  |  |  |  |  |  |  |  |  |   |  |  |  |   |   |   |   |  |  |  |   |   |   |   |  |  |  |   |   |  |  |  |   |   |
|                  |   |        | 10us     | 2     | 10 us   |  |  |  |  |  |  |  |  |  |  |  |  |  |  |  |  |  |   |  |  |  |   |   |   |   |  |  |  |   |   |   |   |  |  |  |   |   |  |  |  |   |   |
|                  |   |        | 15us     | 3     | 15 us   |  |  |  |  |  |  |  |  |  |  |  |  |  |  |  |  |  |   |  |  |  |   |   |   |   |  |  |  |   |   |   |   |  |  |  |   |   |  |  |  |   |   |
|                  |   |        | 20us     | 4     | 20 us   |  |  |  |  |  |  |  |  |  |  |  |  |  |  |  |  |  |   |  |  |  |   |   |   |   |  |  |  |   |   |   |   |  |  |  |   |   |  |  |  |   |   |

| Bit number       | 31 | 30    | 29       | 28 | 27   | 26          | 25 | 24 | 23 | 22 | 21 | 20 | 19 | 18 | 17 | 16 | 15 | 14 | 13 | 12 | 11 | 10 | 9 | 8 | 7 | 6 | 5 | 4 | 3 | 2 | 1 | 0 |
|------------------|----|-------|----------|----|--|-------------|----|----|----|----|----|----|----|----|----|----|----|----|----|----|----|----|---|---|---|---|---|---|---|---|---|---|
| Id               |    |       |          |    |  |             |    |    | G  | F  |    |    | E  | E  | E  | D  |    |    | C  | C  | C  | B  |   | B | A |   | A |   |   |   |   |   |
| Reset 0x00020000 | 0  | 0     | 0        | 0  | 0  | 0           | 0  | 0  | 0  | 0  | 0  | 0  | 0  | 0  | 1  | 0  | 0  | 0  | 0  | 0  | 0  | 0  | 0 | 0 | 0 | 0 | 0 | 0 | 0 | 0 | 0 | 0 |
| Id               | RW | Field | Value    | Id | Value  | Description |    |    |    |    |    |    |    |    |    |    |    |    |    |    |    |    |   |   |   |   |   |   |   |   |   |   |
|                  |    |       | 40us     | 5  | 40 us  |             |    |    |    |    |    |    |    |    |    |    |    |    |    |    |    |    |   |   |   |   |   |   |   |   |   |   |
| F                | RW | MODE  | SE       | 0  | Single ended, PSELN will be ignored, negative input to ADC shorted to GND  |             |    |    |    |    |    |    |    |    |    |    |    |    |    |    |    |    |   |   |   |   |   |   |   |   |   |   |
|                  |    |       | Diff     | 1  | Differential   |             |    |    |    |    |    |    |    |    |    |    |    |    |    |    |    |    |   |   |   |   |   |   |   |   |   |   |
| G                | RW | BURST | Disabled | 0  | Burst mode is disabled (normal operation)  |             |    |    |    |    |    |    |    |    |    |    |    |    |    |    |    |    |   |   |   |   |   |   |   |   |   |   |
|                  |    |       | Enabled  | 1  | Burst mode is enabled. SAADC takes 2 <sup>OVERSAMPLE</sup> number of samples as fast as it can, and sends the average to Data RAM. |             |    |    |    |    |    |    |    |    |    |    |    |    |    |    |    |    |   |   |   |   |   |   |   |   |   |   |

### 37.11.9 CH[0].LIMIT

Address offset: 0x51C

High/low limits for event monitoring a channel

| Bit number       | 31 | 30    | 29    | 28 | 27                 | 26               | 25 | 24 | 23 | 22 | 21 | 20 | 19 | 18 | 17 | 16 | 15 | 14 | 13 | 12 | 11 | 10 | 9 | 8 | 7 | 6 | 5 | 4 | 3 | 2 | 1 | 0 |
|------------------|----|-------|-------|----|--------------------|------------------|----|----|----|----|----|----|----|----|----|----|----|----|----|----|----|----|---|---|---|---|---|---|---|---|---|---|
| Id               | B  | B     | B     | B  | B                  | B                | B  | B  | B  | B  | B  | B  | B  | B  | B  | B  | A  | A  | A  | A  | A  | A  | A | A | A | A | A | A | A | A | A | A |
| Reset 0x7FFF8000 | 0  | 1     | 1     | 1  | 1                  | 1                | 1  | 1  | 1  | 1  | 1  | 1  | 1  | 1  | 1  | 1  | 0  | 0  | 0  | 0  | 0  | 0  | 0 | 0 | 0 | 0 | 0 | 0 | 0 | 0 | 0 |   |
| Id               | RW | Field | Value | Id | Value              | Description      |    |    |    |    |    |    |    |    |    |    |    |    |    |    |    |    |   |   |   |   |   |   |   |   |   |   |
| A                | RW | LOW   |       |    | [-32768 to +32767] | Low level limit  |    |    |    |    |    |    |    |    |    |    |    |    |    |    |    |    |   |   |   |   |   |   |   |   |   |   |
| B                | RW | HIGH  |       |    | [-32768 to +32767] | High level limit |    |    |    |    |    |    |    |    |    |    |    |    |    |    |    |    |   |   |   |   |   |   |   |   |   |   |

### 37.11.10 CH[1].PSELP

Address offset: 0x520

Input positive pin selection for CH[1]

| Bit number       | 31 | 30    | 29           | 28 | 27            | 26          | 25 | 24 | 23 | 22 | 21 | 20 | 19 | 18 | 17 | 16 | 15 | 14 | 13 | 12 | 11 | 10 | 9 | 8 | 7 | 6 | 5 | 4 | 3 | 2 | 1 | 0 |
|------------------|----|-------|--------------|----|---------------|-------------|----|----|----|----|----|----|----|----|----|----|----|----|----|----|----|----|---|---|---|---|---|---|---|---|---|---|
| Id               |    |       |              |    |               |             |    |    |    |    |    |    |    |    |    |    |    |    |    |    |    |    |   |   |   |   | A | A | A | A |   |   |
| Reset 0x00000000 | 0  | 0     | 0            | 0  | 0             | 0           | 0  | 0  | 0  | 0  | 0  | 0  | 0  | 0  | 0  | 0  | 0  | 0  | 0  | 0  | 0  | 0  | 0 | 0 | 0 | 0 | 0 | 0 | 0 | 0 | 0 |   |
| Id               | RW | Field | Value        | Id | Value         | Description |    |    |    |    |    |    |    |    |    |    |    |    |    |    |    |    |   |   |   |   |   |   |   |   |   |   |
| A                | RW | PSELP | NC           | 0  | Not connected |             |    |    |    |    |    |    |    |    |    |    |    |    |    |    |    |    |   |   |   |   |   |   |   |   |   |   |
|                  |    |       | AnalogInput0 | 1  | AIN0          |             |    |    |    |    |    |    |    |    |    |    |    |    |    |    |    |    |   |   |   |   |   |   |   |   |   |   |
|                  |    |       | AnalogInput1 | 2  | AIN1          |             |    |    |    |    |    |    |    |    |    |    |    |    |    |    |    |    |   |   |   |   |   |   |   |   |   |   |
|                  |    |       | AnalogInput2 | 3  | AIN2          |             |    |    |    |    |    |    |    |    |    |    |    |    |    |    |    |    |   |   |   |   |   |   |   |   |   |   |
|                  |    |       | AnalogInput3 | 4  | AIN3          |             |    |    |    |    |    |    |    |    |    |    |    |    |    |    |    |    |   |   |   |   |   |   |   |   |   |   |
|                  |    |       | AnalogInput4 | 5  | AIN4          |             |    |    |    |    |    |    |    |    |    |    |    |    |    |    |    |    |   |   |   |   |   |   |   |   |   |   |
|                  |    |       | AnalogInput5 | 6  | AIN5          |             |    |    |    |    |    |    |    |    |    |    |    |    |    |    |    |    |   |   |   |   |   |   |   |   |   |   |
|                  |    |       | AnalogInput6 | 7  | AIN6          |             |    |    |    |    |    |    |    |    |    |    |    |    |    |    |    |    |   |   |   |   |   |   |   |   |   |   |
|                  |    |       | AnalogInput7 | 8  | AIN7          |             |    |    |    |    |    |    |    |    |    |    |    |    |    |    |    |    |   |   |   |   |   |   |   |   |   |   |
|                  |    |       | VDD          | 9  | VDD           |             |    |    |    |    |    |    |    |    |    |    |    |    |    |    |    |    |   |   |   |   |   |   |   |   |   |   |

### 37.11.11 CH[1].PSELN

Address offset: 0x524

Input negative pin selection for CH[1]

| Bit number       | 31 | 30    | 29           | 28 | 27            | 26          | 25 | 24 | 23 | 22 | 21 | 20 | 19 | 18 | 17 | 16 | 15 | 14 | 13 | 12 | 11 | 10 | 9 | 8 | 7 | 6 | 5 | 4 | 3 | 2 | 1 | 0 |
|------------------|----|-------|--------------|----|---------------|-------------|----|----|----|----|----|----|----|----|----|----|----|----|----|----|----|----|---|---|---|---|---|---|---|---|---|---|
| Id               |    |       |              |    |               |             |    |    |    |    |    |    |    |    |    |    |    |    |    |    |    |    |   |   |   |   | A | A | A | A |   |   |
| Reset 0x00000000 | 0  | 0     | 0            | 0  | 0             | 0           | 0  | 0  | 0  | 0  | 0  | 0  | 0  | 0  | 0  | 0  | 0  | 0  | 0  | 0  | 0  | 0  | 0 | 0 | 0 | 0 | 0 | 0 | 0 | 0 | 0 |   |
| Id               | RW | Field | Value        | Id | Value         | Description |    |    |    |    |    |    |    |    |    |    |    |    |    |    |    |    |   |   |   |   |   |   |   |   |   |   |
| A                | RW | PSELN | NC           | 0  | Not connected |             |    |    |    |    |    |    |    |    |    |    |    |    |    |    |    |    |   |   |   |   |   |   |   |   |   |   |
|                  |    |       | AnalogInput0 | 1  | AIN0          |             |    |    |    |    |    |    |    |    |    |    |    |    |    |    |    |    |   |   |   |   |   |   |   |   |   |   |

| Bit number       | 31 | 30    | 29           | 28    | 27          | 26 | 25 | 24 | 23 | 22 | 21 | 20 | 19 | 18 | 17 | 16 | 15 | 14 | 13 | 12 | 11 | 10 | 9 | 8 | 7 | 6 | 5 | 4 | 3 | 2 | 1 | 0 |
|------------------|----|-------|--------------|-------|-------------|----|----|----|----|----|----|----|----|----|----|----|----|----|----|----|----|----|---|---|---|---|---|---|---|---|---|---|
| Id               |    |       |              |       |             |    |    |    |    |    |    |    |    |    |    |    |    |    |    |    |    |    |   |   |   |   |   | A | A | A | A |   |
| Reset 0x00000000 | 0  | 0     | 0            | 0     | 0           | 0  | 0  | 0  | 0  | 0  | 0  | 0  | 0  | 0  | 0  | 0  | 0  | 0  | 0  | 0  | 0  | 0  | 0 | 0 | 0 | 0 | 0 | 0 | 0 | 0 | 0 | 0 |
| Id               | RW | Field | Value Id     | Value | Description |    |    |    |    |    |    |    |    |    |    |    |    |    |    |    |    |    |   |   |   |   |   |   |   |   |   |   |
|                  |    |       | AnalogInput1 | 2     | AIN1        |    |    |    |    |    |    |    |    |    |    |    |    |    |    |    |    |    |   |   |   |   |   |   |   |   |   |   |
|                  |    |       | AnalogInput2 | 3     | AIN2        |    |    |    |    |    |    |    |    |    |    |    |    |    |    |    |    |    |   |   |   |   |   |   |   |   |   |   |
|                  |    |       | AnalogInput3 | 4     | AIN3        |    |    |    |    |    |    |    |    |    |    |    |    |    |    |    |    |    |   |   |   |   |   |   |   |   |   |   |
|                  |    |       | AnalogInput4 | 5     | AIN4        |    |    |    |    |    |    |    |    |    |    |    |    |    |    |    |    |    |   |   |   |   |   |   |   |   |   |   |
|                  |    |       | AnalogInput5 | 6     | AIN5        |    |    |    |    |    |    |    |    |    |    |    |    |    |    |    |    |    |   |   |   |   |   |   |   |   |   |   |
|                  |    |       | AnalogInput6 | 7     | AIN6        |    |    |    |    |    |    |    |    |    |    |    |    |    |    |    |    |    |   |   |   |   |   |   |   |   |   |   |
|                  |    |       | AnalogInput7 | 8     | AIN7        |    |    |    |    |    |    |    |    |    |    |    |    |    |    |    |    |    |   |   |   |   |   |   |   |   |   |   |
|                  |    |       | VDD          | 9     | VDD         |    |    |    |    |    |    |    |    |    |    |    |    |    |    |    |    |    |   |   |   |   |   |   |   |   |   |   |

### 37.11.12 CH[1].CONFIG

Address offset: 0x528

Input configuration for CH[1]

| Bit number       | 31 | 30     | 29       | 28    | 27  | 26  | 25 | 24 | 23 | 22 | 21 | 20 | 19 | 18 | 17 | 16 | 15 | 14 | 13 | 12 | 11 | 10 | 9 | 8 | 7 | 6 | 5 | 4 | 3 | 2 | 1 | 0 |   |   |   |   |   |   |   |   |
|------------------|----|--------|----------|-------|---|---|----|----|----|----|----|----|----|----|----|----|----|----|----|----|----|----|---|---|---|---|---|---|---|---|---|---|---|---|---|---|---|---|---|---|
| Id               |    |        |          |       |   |   |    |    |    |    |    |    |    |    |    |    |    |    |    |    |    |    |   |   |   |   |   | G | F | E | E | E | D | C | C | C | B | B | A | A |
| Reset 0x00020000 | 0  | 0      | 0        | 0     | 0   | 0   | 0  | 0  | 0  | 0  | 0  | 0  | 0  | 1  | 0  | 0  | 0  | 0  | 0  | 0  | 0  | 0  | 0 | 0 | 0 | 0 | 0 | 0 | 0 | 0 | 0 | 0 |   |   |   |   |   |   |   |   |
| Id               | RW | Field  | Value Id | Value | Description   |   |    |    |    |    |    |    |    |    |    |    |    |    |    |    |    |    |   |   |   |   |   |   |   |   |   |   |   |   |   |   |   |   |   |   |
| A                | RW | RESP   |          |       |   | Positive channel resistor control                                   |    |    |    |    |    |    |    |    |    |    |    |    |    |    |    |    |   |   |   |   |   |   |   |   |   |   |   |   |   |   |   |   |   |   |
|                  |    |        | Bypass   | 0     | Bypass resistor ladder  |   |    |    |    |    |    |    |    |    |    |    |    |    |    |    |    |    |   |   |   |   |   |   |   |   |   |   |   |   |   |   |   |   |   |   |
|                  |    |        | Pulldown | 1     | Pull-down to GND  |   |    |    |    |    |    |    |    |    |    |    |    |    |    |    |    |    |   |   |   |   |   |   |   |   |   |   |   |   |   |   |   |   |   |   |
|                  |    |        | Pullup   | 2     | Pull-up to VDD  |   |    |    |    |    |    |    |    |    |    |    |    |    |    |    |    |    |   |   |   |   |   |   |   |   |   |   |   |   |   |   |   |   |   |   |
|                  |    |        | VDD1_2   | 3     | Set input at VDD/2  |   |    |    |    |    |    |    |    |    |    |    |    |    |    |    |    |    |   |   |   |   |   |   |   |   |   |   |   |   |   |   |   |   |   |   |
| B                | RW | RESN   |          |       |   | Negative channel resistor control                                   |    |    |    |    |    |    |    |    |    |    |    |    |    |    |    |    |   |   |   |   |   |   |   |   |   |   |   |   |   |   |   |   |   |   |
|                  |    |        | Bypass   | 0     | Bypass resistor ladder  |   |    |    |    |    |    |    |    |    |    |    |    |    |    |    |    |    |   |   |   |   |   |   |   |   |   |   |   |   |   |   |   |   |   |   |
|                  |    |        | Pulldown | 1     | Pull-down to GND  |   |    |    |    |    |    |    |    |    |    |    |    |    |    |    |    |    |   |   |   |   |   |   |   |   |   |   |   |   |   |   |   |   |   |   |
|                  |    |        | Pullup   | 2     | Pull-up to VDD  |   |    |    |    |    |    |    |    |    |    |    |    |    |    |    |    |    |   |   |   |   |   |   |   |   |   |   |   |   |   |   |   |   |   |   |
|                  |    |        | VDD1_2   | 3     | Set input at VDD/2  |   |    |    |    |    |    |    |    |    |    |    |    |    |    |    |    |    |   |   |   |   |   |   |   |   |   |   |   |   |   |   |   |   |   |   |
| C                | RW | GAIN   |          |       |   | Gain control  |    |    |    |    |    |    |    |    |    |    |    |    |    |    |    |    |   |   |   |   |   |   |   |   |   |   |   |   |   |   |   |   |   |   |
|                  |    |        | Gain1_6  | 0     | 1/6   |   |    |    |    |    |    |    |    |    |    |    |    |    |    |    |    |    |   |   |   |   |   |   |   |   |   |   |   |   |   |   |   |   |   |   |
|                  |    |        | Gain1_5  | 1     | 1/5   |   |    |    |    |    |    |    |    |    |    |    |    |    |    |    |    |    |   |   |   |   |   |   |   |   |   |   |   |   |   |   |   |   |   |   |
|                  |    |        | Gain1_4  | 2     | 1/4   |   |    |    |    |    |    |    |    |    |    |    |    |    |    |    |    |    |   |   |   |   |   |   |   |   |   |   |   |   |   |   |   |   |   |   |
|                  |    |        | Gain1_3  | 3     | 1/3   |   |    |    |    |    |    |    |    |    |    |    |    |    |    |    |    |    |   |   |   |   |   |   |   |   |   |   |   |   |   |   |   |   |   |   |
|                  |    |        | Gain1_2  | 4     | 1/2   |   |    |    |    |    |    |    |    |    |    |    |    |    |    |    |    |    |   |   |   |   |   |   |   |   |   |   |   |   |   |   |   |   |   |   |
|                  |    |        | Gain1    | 5     | 1   |   |    |    |    |    |    |    |    |    |    |    |    |    |    |    |    |    |   |   |   |   |   |   |   |   |   |   |   |   |   |   |   |   |   |   |
|                  |    |        | Gain2    | 6     | 2   |   |    |    |    |    |    |    |    |    |    |    |    |    |    |    |    |    |   |   |   |   |   |   |   |   |   |   |   |   |   |   |   |   |   |   |
|                  |    |        | Gain4    | 7     | 4   |   |    |    |    |    |    |    |    |    |    |    |    |    |    |    |    |    |   |   |   |   |   |   |   |   |   |   |   |   |   |   |   |   |   |   |
| D                | RW | REFSEL |          |       |   | Reference control   |    |    |    |    |    |    |    |    |    |    |    |    |    |    |    |    |   |   |   |   |   |   |   |   |   |   |   |   |   |   |   |   |   |   |
|                  |    |        | Internal | 0     | Internal reference (0.6 V)  |   |    |    |    |    |    |    |    |    |    |    |    |    |    |    |    |    |   |   |   |   |   |   |   |   |   |   |   |   |   |   |   |   |   |   |
|                  |    |        | VDD1_4   | 1     | VDD/4 as reference  |   |    |    |    |    |    |    |    |    |    |    |    |    |    |    |    |    |   |   |   |   |   |   |   |   |   |   |   |   |   |   |   |   |   |   |
| E                | RW | TACQ   |          |       |   | Acquisition time, the time the ADC uses to sample the input voltage |    |    |    |    |    |    |    |    |    |    |    |    |    |    |    |    |   |   |   |   |   |   |   |   |   |   |   |   |   |   |   |   |   |   |
|                  |    |        | 3us      | 0     | 3 us  |   |    |    |    |    |    |    |    |    |    |    |    |    |    |    |    |    |   |   |   |   |   |   |   |   |   |   |   |   |   |   |   |   |   |   |
|                  |    |        | 5us      | 1     | 5 us  |   |    |    |    |    |    |    |    |    |    |    |    |    |    |    |    |    |   |   |   |   |   |   |   |   |   |   |   |   |   |   |   |   |   |   |
|                  |    |        | 10us     | 2     | 10 us   |   |    |    |    |    |    |    |    |    |    |    |    |    |    |    |    |    |   |   |   |   |   |   |   |   |   |   |   |   |   |   |   |   |   |   |
|                  |    |        | 15us     | 3     | 15 us   |   |    |    |    |    |    |    |    |    |    |    |    |    |    |    |    |    |   |   |   |   |   |   |   |   |   |   |   |   |   |   |   |   |   |   |
|                  |    |        | 20us     | 4     | 20 us   |   |    |    |    |    |    |    |    |    |    |    |    |    |    |    |    |    |   |   |   |   |   |   |   |   |   |   |   |   |   |   |   |   |   |   |
|                  |    |        | 40us     | 5     | 40 us   |   |    |    |    |    |    |    |    |    |    |    |    |    |    |    |    |    |   |   |   |   |   |   |   |   |   |   |   |   |   |   |   |   |   |   |
| F                | RW | MODE   |          |       |   | Enable differential mode  |    |    |    |    |    |    |    |    |    |    |    |    |    |    |    |    |   |   |   |   |   |   |   |   |   |   |   |   |   |   |   |   |   |   |
|                  |    |        | SE       | 0     | Single ended, PSELN will be ignored, negative input to ADC shorted to GND |   |    |    |    |    |    |    |    |    |    |    |    |    |    |    |    |    |   |   |   |   |   |   |   |   |   |   |   |   |   |   |   |   |   |   |
|                  |    |        | Diff     | 1     | Differential  |   |    |    |    |    |    |    |    |    |    |    |    |    |    |    |    |    |   |   |   |   |   |   |   |   |   |   |   |   |   |   |   |   |   |   |
| G                | RW | BURST  |          |       |   | Enable burst mode   |    |    |    |    |    |    |    |    |    |    |    |    |    |    |    |    |   |   |   |   |   |   |   |   |   |   |   |   |   |   |   |   |   |   |
|                  |    |        | Disabled | 0     | Burst mode is disabled (normal operation)                                 |   |    |    |    |    |    |    |    |    |    |    |    |    |    |    |    |    |   |   |   |   |   |   |   |   |   |   |   |   |   |   |   |   |   |   |



| Bit number       | 31 | 30    | 29      | 28 | 27    | 26   | 25 | 24 | 23 | 22 | 21 | 20 | 19 | 18 | 17 | 16 | 15 | 14 | 13 | 12 | 11 | 10 | 9 | 8 | 7 | 6 | 5 | 4 | 3 | 2 | 1 | 0 |   |
|------------------|----|-------|---------|----|-------|--|----|----|----|----|----|----|----|----|----|----|----|----|----|----|----|----|---|---|---|---|---|---|---|---|---|---|---|
| Id               |    |       |         |    |       |  |    |    | G  |    |    |    | F  | E  | E  | E  |    |    |    | D  | C  | C  | C |   |   |   | B | B |   |   | A | A |   |
| Reset 0x00020000 | 0  | 0     | 0       | 0  | 0     | 0  | 0  | 0  | 0  | 0  | 0  | 0  | 0  | 0  | 0  | 1  | 0  | 0  | 0  | 0  | 0  | 0  | 0 | 0 | 0 | 0 | 0 | 0 | 0 | 0 | 0 | 0 | 0 |
| Id               | RW | Field | Value   | Id | Value | Description  |    |    |    |    |    |    |    |    |    |    |    |    |    |    |    |    |   |   |   |   |   |   |   |   |   |   |   |
|                  |    |       | Enabled | 1  |       | Burst mode is enabled. SAADC takes 2 <sup>OVERSAMPLE</sup> number of samples as fast as it can, and sends the average to Data RAM. |    |    |    |    |    |    |    |    |    |    |    |    |    |    |    |    |   |   |   |   |   |   |   |   |   |   |   |

### 37.11.13 CH[1].LIMIT

Address offset: 0x52C

High/low limits for event monitoring a channel

| Bit number       | 31 | 30    | 29                 | 28 | 27    | 26               | 25 | 24 | 23 | 22 | 21 | 20 | 19 | 18 | 17 | 16 | 15 | 14 | 13 | 12 | 11 | 10 | 9 | 8 | 7 | 6 | 5 | 4 | 3 | 2 | 1 | 0 |
|------------------|----|-------|--------------------|----|-------|------------------|----|----|----|----|----|----|----|----|----|----|----|----|----|----|----|----|---|---|---|---|---|---|---|---|---|---|
| Id               | B  | B     | B                  | B  | B     | B                | B  | B  | B  | B  | B  | B  | B  | B  | B  | B  | A  | A  | A  | A  | A  | A  | A | A | A | A | A | A | A | A | A | A |
| Reset 0x7FFF8000 | 0  | 1     | 1                  | 1  | 1     | 1                | 1  | 1  | 1  | 1  | 1  | 1  | 1  | 1  | 1  | 1  | 0  | 0  | 0  | 0  | 0  | 0  | 0 | 0 | 0 | 0 | 0 | 0 | 0 | 0 | 0 | 0 |
| Id               | RW | Field | Value              | Id | Value | Description      |    |    |    |    |    |    |    |    |    |    |    |    |    |    |    |    |   |   |   |   |   |   |   |   |   |   |
| A                | RW | LOW   | [-32768 to +32767] |    |       | Low level limit  |    |    |    |    |    |    |    |    |    |    |    |    |    |    |    |    |   |   |   |   |   |   |   |   |   |   |
| B                | RW | HIGH  | [-32768 to +32767] |    |       | High level limit |    |    |    |    |    |    |    |    |    |    |    |    |    |    |    |    |   |   |   |   |   |   |   |   |   |   |

### 37.11.14 CH[2].PSELP

Address offset: 0x530

Input positive pin selection for CH[2]

| Bit number       | 31 | 30    | 29           | 28 | 27    | 26                            | 25 | 24 | 23 | 22 | 21 | 20 | 19 | 18 | 17 | 16 | 15 | 14 | 13 | 12 | 11 | 10 | 9 | 8 | 7 | 6 | 5 | 4 | 3 | 2 | 1 | 0 |
|------------------|----|-------|--------------|----|-------|-------------------------------|----|----|----|----|----|----|----|----|----|----|----|----|----|----|----|----|---|---|---|---|---|---|---|---|---|---|
| Id               |    |       |              |    |       |                               |    |    |    |    |    |    |    |    |    |    |    |    |    |    |    |    |   |   |   |   | A | A | A | A | A |   |
| Reset 0x00000000 | 0  | 0     | 0            | 0  | 0     | 0                             | 0  | 0  | 0  | 0  | 0  | 0  | 0  | 0  | 0  | 0  | 0  | 0  | 0  | 0  | 0  | 0  | 0 | 0 | 0 | 0 | 0 | 0 | 0 | 0 | 0 | 0 |
| Id               | RW | Field | Value        | Id | Value | Description                   |    |    |    |    |    |    |    |    |    |    |    |    |    |    |    |    |   |   |   |   |   |   |   |   |   |   |
| A                | RW | PSELP |              |    |       | Analog positive input channel |    |    |    |    |    |    |    |    |    |    |    |    |    |    |    |    |   |   |   |   |   |   |   |   |   |   |
|                  |    |       | NC           | 0  |       | Not connected                 |    |    |    |    |    |    |    |    |    |    |    |    |    |    |    |    |   |   |   |   |   |   |   |   |   |   |
|                  |    |       | AnalogInput0 | 1  |       | AIN0                          |    |    |    |    |    |    |    |    |    |    |    |    |    |    |    |    |   |   |   |   |   |   |   |   |   |   |
|                  |    |       | AnalogInput1 | 2  |       | AIN1                          |    |    |    |    |    |    |    |    |    |    |    |    |    |    |    |    |   |   |   |   |   |   |   |   |   |   |
|                  |    |       | AnalogInput2 | 3  |       | AIN2                          |    |    |    |    |    |    |    |    |    |    |    |    |    |    |    |    |   |   |   |   |   |   |   |   |   |   |
|                  |    |       | AnalogInput3 | 4  |       | AIN3                          |    |    |    |    |    |    |    |    |    |    |    |    |    |    |    |    |   |   |   |   |   |   |   |   |   |   |
|                  |    |       | AnalogInput4 | 5  |       | AIN4                          |    |    |    |    |    |    |    |    |    |    |    |    |    |    |    |    |   |   |   |   |   |   |   |   |   |   |
|                  |    |       | AnalogInput5 | 6  |       | AIN5                          |    |    |    |    |    |    |    |    |    |    |    |    |    |    |    |    |   |   |   |   |   |   |   |   |   |   |
|                  |    |       | AnalogInput6 | 7  |       | AIN6                          |    |    |    |    |    |    |    |    |    |    |    |    |    |    |    |    |   |   |   |   |   |   |   |   |   |   |
|                  |    |       | AnalogInput7 | 8  |       | AIN7                          |    |    |    |    |    |    |    |    |    |    |    |    |    |    |    |    |   |   |   |   |   |   |   |   |   |   |
|                  |    |       | VDD          | 9  |       | VDD                           |    |    |    |    |    |    |    |    |    |    |    |    |    |    |    |    |   |   |   |   |   |   |   |   |   |   |

### 37.11.15 CH[2].PSELN

Address offset: 0x534

Input negative pin selection for CH[2]

| Bit number       | 31 | 30    | 29           | 28 | 27    | 26  | 25 | 24 | 23 | 22 | 21 | 20 | 19 | 18 | 17 | 16 | 15 | 14 | 13 | 12 | 11 | 10 | 9 | 8 | 7 | 6 | 5 | 4 | 3 | 2 | 1 | 0 |
|------------------|----|-------|--------------|----|-------|---|----|----|----|----|----|----|----|----|----|----|----|----|----|----|----|----|---|---|---|---|---|---|---|---|---|---|
| Id               |    |       |              |    |       |   |    |    |    |    |    |    |    |    |    |    |    |    |    |    |    |    |   |   |   |   | A | A | A | A | A |   |
| Reset 0x00000000 | 0  | 0     | 0            | 0  | 0     | 0   | 0  | 0  | 0  | 0  | 0  | 0  | 0  | 0  | 0  | 0  | 0  | 0  | 0  | 0  | 0  | 0  | 0 | 0 | 0 | 0 | 0 | 0 | 0 | 0 | 0 | 0 |
| Id               | RW | Field | Value        | Id | Value | Description   |    |    |    |    |    |    |    |    |    |    |    |    |    |    |    |    |   |   |   |   |   |   |   |   |   |   |
| A                | RW | PSELN |              |    |       | Analog negative input, enables differential channel |    |    |    |    |    |    |    |    |    |    |    |    |    |    |    |    |   |   |   |   |   |   |   |   |   |   |
|                  |    |       | NC           | 0  |       | Not connected                                       |    |    |    |    |    |    |    |    |    |    |    |    |    |    |    |    |   |   |   |   |   |   |   |   |   |   |
|                  |    |       | AnalogInput0 | 1  |       | AIN0  |    |    |    |    |    |    |    |    |    |    |    |    |    |    |    |    |   |   |   |   |   |   |   |   |   |   |
|                  |    |       | AnalogInput1 | 2  |       | AIN1  |    |    |    |    |    |    |    |    |    |    |    |    |    |    |    |    |   |   |   |   |   |   |   |   |   |   |
|                  |    |       | AnalogInput2 | 3  |       | AIN2  |    |    |    |    |    |    |    |    |    |    |    |    |    |    |    |    |   |   |   |   |   |   |   |   |   |   |
|                  |    |       | AnalogInput3 | 4  |       | AIN3  |    |    |    |    |    |    |    |    |    |    |    |    |    |    |    |    |   |   |   |   |   |   |   |   |   |   |
|                  |    |       | AnalogInput4 | 5  |       | AIN4  |    |    |    |    |    |    |    |    |    |    |    |    |    |    |    |    |   |   |   |   |   |   |   |   |   |   |
|                  |    |       | AnalogInput5 | 6  |       | AIN5  |    |    |    |    |    |    |    |    |    |    |    |    |    |    |    |    |   |   |   |   |   |   |   |   |   |   |
|                  |    |       | AnalogInput6 | 7  |       | AIN6  |    |    |    |    |    |    |    |    |    |    |    |    |    |    |    |    |   |   |   |   |   |   |   |   |   |   |
|                  |    |       | AnalogInput7 | 8  |       | AIN7  |    |    |    |    |    |    |    |    |    |    |    |    |    |    |    |    |   |   |   |   |   |   |   |   |   |   |

| Bit number       | 31 | 30    | 29    | 28 | 27    | 26          | 25 | 24 | 23 | 22 | 21 | 20 | 19 | 18 | 17 | 16 | 15 | 14 | 13 | 12 | 11 | 10 | 9 | 8 | 7 | 6 | 5 | 4 | 3 | 2 | 1 | 0 |   |   |   |   |   |   |   |   |   |   |   |   |   |   |   |   |   |   |   |   |   |   |   |   |   |
|------------------|----|-------|-------|----|-------|-------------|----|----|----|----|----|----|----|----|----|----|----|----|----|----|----|----|---|---|---|---|---|---|---|---|---|---|---|---|---|---|---|---|---|---|---|---|---|---|---|---|---|---|---|---|---|---|---|---|---|---|---|
| Id               |    |       |       |    |       |             |    |    |    |    |    |    |    |    |    |    |    |    |    |    |    |    |   |   |   |   |   | A | A | A | A | A | 0 | 0 | 0 | 0 | 0 | 0 | 0 | 0 | 0 | 0 | 0 | 0 | 0 | 0 | 0 | 0 | 0 | 0 | 0 | 0 | 0 | 0 | 0 | 0 | 0 |
| Reset 0x00000000 |    |       |       |    |       |             |    |    |    |    |    |    |    |    |    |    |    |    |    |    |    |    |   |   |   |   |   | 0 | 0 | 0 | 0 | 0 | 0 | 0 | 0 | 0 | 0 | 0 | 0 | 0 | 0 | 0 | 0 | 0 | 0 | 0 | 0 | 0 | 0 | 0 | 0 | 0 | 0 | 0 | 0 | 0 | 0 |
| Id               | RW | Field | Value | Id | Value | Description |    |    |    |    |    |    |    |    |    |    |    |    |    |    |    |    |   |   |   |   |   |   |   |   |   |   |   |   |   |   |   |   |   |   |   |   |   |   |   |   |   |   |   |   |   |   |   |   |   |   |   |
|                  |    |       | VDD   | 9  | VDD   |             |    |    |    |    |    |    |    |    |    |    |    |    |    |    |    |    |   |   |   |   |   |   |   |   |   |   |   |   |   |   |   |   |   |   |   |   |   |   |   |   |   |   |   |   |   |   |   |   |   |   |   |

### 37.11.16 CH[2].CONFIG

Address offset: 0x538

Input configuration for CH[2]

| Bit number       | 31 | 30     | 29       | 28 | 27   | 26  | 25 | 24 | 23 | 22 | 21 | 20 | 19 | 18 | 17 | 16 | 15 | 14 | 13 | 12 | 11 | 10 | 9 | 8 | 7 | 6 | 5 | 4 | 3 | 2 | 1 | 0 |   |   |   |   |   |   |   |   |   |   |   |   |   |   |   |   |   |   |   |   |   |   |   |   |   |   |
|------------------|----|--------|----------|----|--|---|----|----|----|----|----|----|----|----|----|----|----|----|----|----|----|----|---|---|---|---|---|---|---|---|---|---|---|---|---|---|---|---|---|---|---|---|---|---|---|---|---|---|---|---|---|---|---|---|---|---|---|---|
| Id               |    |        |          |    |  |   |    |    |    |    | G  | F  |    |    | E  | E  | E  | D  |    |    | C  | C  | C | B |   | B | A |   | A |   |   |   |   |   |   |   |   |   |   |   |   |   |   |   |   |   |   |   |   |   |   |   |   |   |   |   |   |   |
| Reset 0x00020000 |    |        |          |    |  |   |    |    |    |    |    |    |    |    |    |    |    |    |    |    |    |    |   |   |   |   |   | 0 | 0 | 0 | 0 | 0 | 0 | 0 | 0 | 0 | 0 | 0 | 0 | 0 | 0 | 1 | 0 | 0 | 0 | 0 | 0 | 0 | 0 | 0 | 0 | 0 | 0 | 0 | 0 | 0 | 0 | 0 |
| Id               | RW | Field  | Value    | Id | Value  | Description   |    |    |    |    |    |    |    |    |    |    |    |    |    |    |    |    |   |   |   |   |   |   |   |   |   |   |   |   |   |   |   |   |   |   |   |   |   |   |   |   |   |   |   |   |   |   |   |   |   |   |   |   |
| A                | RW | RESP   |          |    |  | Positive channel resistor control                                   |    |    |    |    |    |    |    |    |    |    |    |    |    |    |    |    |   |   |   |   |   |   |   |   |   |   |   |   |   |   |   |   |   |   |   |   |   |   |   |   |   |   |   |   |   |   |   |   |   |   |   |   |
|                  |    |        | Bypass   | 0  | Bypass resistor ladder   |   |    |    |    |    |    |    |    |    |    |    |    |    |    |    |    |    |   |   |   |   |   |   |   |   |   |   |   |   |   |   |   |   |   |   |   |   |   |   |   |   |   |   |   |   |   |   |   |   |   |   |   |   |
|                  |    |        | Pulldown | 1  | Pull-down to GND   |   |    |    |    |    |    |    |    |    |    |    |    |    |    |    |    |    |   |   |   |   |   |   |   |   |   |   |   |   |   |   |   |   |   |   |   |   |   |   |   |   |   |   |   |   |   |   |   |   |   |   |   |   |
|                  |    |        | Pullup   | 2  | Pull-up to VDD   |   |    |    |    |    |    |    |    |    |    |    |    |    |    |    |    |    |   |   |   |   |   |   |   |   |   |   |   |   |   |   |   |   |   |   |   |   |   |   |   |   |   |   |   |   |   |   |   |   |   |   |   |   |
|                  |    |        | VDD1_2   | 3  | Set input at VDD/2   |   |    |    |    |    |    |    |    |    |    |    |    |    |    |    |    |    |   |   |   |   |   |   |   |   |   |   |   |   |   |   |   |   |   |   |   |   |   |   |   |   |   |   |   |   |   |   |   |   |   |   |   |   |
| B                | RW | RESN   |          |    |  | Negative channel resistor control                                   |    |    |    |    |    |    |    |    |    |    |    |    |    |    |    |    |   |   |   |   |   |   |   |   |   |   |   |   |   |   |   |   |   |   |   |   |   |   |   |   |   |   |   |   |   |   |   |   |   |   |   |   |
|                  |    |        | Bypass   | 0  | Bypass resistor ladder   |   |    |    |    |    |    |    |    |    |    |    |    |    |    |    |    |    |   |   |   |   |   |   |   |   |   |   |   |   |   |   |   |   |   |   |   |   |   |   |   |   |   |   |   |   |   |   |   |   |   |   |   |   |
|                  |    |        | Pulldown | 1  | Pull-down to GND   |   |    |    |    |    |    |    |    |    |    |    |    |    |    |    |    |    |   |   |   |   |   |   |   |   |   |   |   |   |   |   |   |   |   |   |   |   |   |   |   |   |   |   |   |   |   |   |   |   |   |   |   |   |
|                  |    |        | Pullup   | 2  | Pull-up to VDD   |   |    |    |    |    |    |    |    |    |    |    |    |    |    |    |    |    |   |   |   |   |   |   |   |   |   |   |   |   |   |   |   |   |   |   |   |   |   |   |   |   |   |   |   |   |   |   |   |   |   |   |   |   |
|                  |    |        | VDD1_2   | 3  | Set input at VDD/2   |   |    |    |    |    |    |    |    |    |    |    |    |    |    |    |    |    |   |   |   |   |   |   |   |   |   |   |   |   |   |   |   |   |   |   |   |   |   |   |   |   |   |   |   |   |   |   |   |   |   |   |   |   |
| C                | RW | GAIN   |          |    |  | Gain control  |    |    |    |    |    |    |    |    |    |    |    |    |    |    |    |    |   |   |   |   |   |   |   |   |   |   |   |   |   |   |   |   |   |   |   |   |   |   |   |   |   |   |   |   |   |   |   |   |   |   |   |   |
|                  |    |        | Gain1_6  | 0  | 1/6  |   |    |    |    |    |    |    |    |    |    |    |    |    |    |    |    |    |   |   |   |   |   |   |   |   |   |   |   |   |   |   |   |   |   |   |   |   |   |   |   |   |   |   |   |   |   |   |   |   |   |   |   |   |
|                  |    |        | Gain1_5  | 1  | 1/5  |   |    |    |    |    |    |    |    |    |    |    |    |    |    |    |    |    |   |   |   |   |   |   |   |   |   |   |   |   |   |   |   |   |   |   |   |   |   |   |   |   |   |   |   |   |   |   |   |   |   |   |   |   |
|                  |    |        | Gain1_4  | 2  | 1/4  |   |    |    |    |    |    |    |    |    |    |    |    |    |    |    |    |    |   |   |   |   |   |   |   |   |   |   |   |   |   |   |   |   |   |   |   |   |   |   |   |   |   |   |   |   |   |   |   |   |   |   |   |   |
|                  |    |        | Gain1_3  | 3  | 1/3  |   |    |    |    |    |    |    |    |    |    |    |    |    |    |    |    |    |   |   |   |   |   |   |   |   |   |   |   |   |   |   |   |   |   |   |   |   |   |   |   |   |   |   |   |   |   |   |   |   |   |   |   |   |
|                  |    |        | Gain1_2  | 4  | 1/2  |   |    |    |    |    |    |    |    |    |    |    |    |    |    |    |    |    |   |   |   |   |   |   |   |   |   |   |   |   |   |   |   |   |   |   |   |   |   |   |   |   |   |   |   |   |   |   |   |   |   |   |   |   |
|                  |    |        | Gain1    | 5  | 1  |   |    |    |    |    |    |    |    |    |    |    |    |    |    |    |    |    |   |   |   |   |   |   |   |   |   |   |   |   |   |   |   |   |   |   |   |   |   |   |   |   |   |   |   |   |   |   |   |   |   |   |   |   |
|                  |    |        | Gain2    | 6  | 2  |   |    |    |    |    |    |    |    |    |    |    |    |    |    |    |    |    |   |   |   |   |   |   |   |   |   |   |   |   |   |   |   |   |   |   |   |   |   |   |   |   |   |   |   |   |   |   |   |   |   |   |   |   |
|                  |    |        | Gain4    | 7  | 4  |   |    |    |    |    |    |    |    |    |    |    |    |    |    |    |    |    |   |   |   |   |   |   |   |   |   |   |   |   |   |   |   |   |   |   |   |   |   |   |   |   |   |   |   |   |   |   |   |   |   |   |   |   |
| D                | RW | REFSEL |          |    |  | Reference control   |    |    |    |    |    |    |    |    |    |    |    |    |    |    |    |    |   |   |   |   |   |   |   |   |   |   |   |   |   |   |   |   |   |   |   |   |   |   |   |   |   |   |   |   |   |   |   |   |   |   |   |   |
|                  |    |        | Internal | 0  | Internal reference (0.6 V)   |   |    |    |    |    |    |    |    |    |    |    |    |    |    |    |    |    |   |   |   |   |   |   |   |   |   |   |   |   |   |   |   |   |   |   |   |   |   |   |   |   |   |   |   |   |   |   |   |   |   |   |   |   |
|                  |    |        | VDD1_4   | 1  | VDD/4 as reference   |   |    |    |    |    |    |    |    |    |    |    |    |    |    |    |    |    |   |   |   |   |   |   |   |   |   |   |   |   |   |   |   |   |   |   |   |   |   |   |   |   |   |   |   |   |   |   |   |   |   |   |   |   |
| E                | RW | TACQ   |          |    |  | Acquisition time, the time the ADC uses to sample the input voltage |    |    |    |    |    |    |    |    |    |    |    |    |    |    |    |    |   |   |   |   |   |   |   |   |   |   |   |   |   |   |   |   |   |   |   |   |   |   |   |   |   |   |   |   |   |   |   |   |   |   |   |   |
|                  |    |        | 3us      | 0  | 3 us   |   |    |    |    |    |    |    |    |    |    |    |    |    |    |    |    |    |   |   |   |   |   |   |   |   |   |   |   |   |   |   |   |   |   |   |   |   |   |   |   |   |   |   |   |   |   |   |   |   |   |   |   |   |
|                  |    |        | 5us      | 1  | 5 us   |   |    |    |    |    |    |    |    |    |    |    |    |    |    |    |    |    |   |   |   |   |   |   |   |   |   |   |   |   |   |   |   |   |   |   |   |   |   |   |   |   |   |   |   |   |   |   |   |   |   |   |   |   |
|                  |    |        | 10us     | 2  | 10 us  |   |    |    |    |    |    |    |    |    |    |    |    |    |    |    |    |    |   |   |   |   |   |   |   |   |   |   |   |   |   |   |   |   |   |   |   |   |   |   |   |   |   |   |   |   |   |   |   |   |   |   |   |   |
|                  |    |        | 15us     | 3  | 15 us  |   |    |    |    |    |    |    |    |    |    |    |    |    |    |    |    |    |   |   |   |   |   |   |   |   |   |   |   |   |   |   |   |   |   |   |   |   |   |   |   |   |   |   |   |   |   |   |   |   |   |   |   |   |
|                  |    |        | 20us     | 4  | 20 us  |   |    |    |    |    |    |    |    |    |    |    |    |    |    |    |    |    |   |   |   |   |   |   |   |   |   |   |   |   |   |   |   |   |   |   |   |   |   |   |   |   |   |   |   |   |   |   |   |   |   |   |   |   |
|                  |    |        | 40us     | 5  | 40 us  |   |    |    |    |    |    |    |    |    |    |    |    |    |    |    |    |    |   |   |   |   |   |   |   |   |   |   |   |   |   |   |   |   |   |   |   |   |   |   |   |   |   |   |   |   |   |   |   |   |   |   |   |   |
| F                | RW | MODE   |          |    |  | Enable differential mode  |    |    |    |    |    |    |    |    |    |    |    |    |    |    |    |    |   |   |   |   |   |   |   |   |   |   |   |   |   |   |   |   |   |   |   |   |   |   |   |   |   |   |   |   |   |   |   |   |   |   |   |   |
|                  |    |        | SE       | 0  | Single ended, PSELN will be ignored, negative input to ADC shorted to GND  |   |    |    |    |    |    |    |    |    |    |    |    |    |    |    |    |    |   |   |   |   |   |   |   |   |   |   |   |   |   |   |   |   |   |   |   |   |   |   |   |   |   |   |   |   |   |   |   |   |   |   |   |   |
|                  |    |        | Diff     | 1  | Differential   |   |    |    |    |    |    |    |    |    |    |    |    |    |    |    |    |    |   |   |   |   |   |   |   |   |   |   |   |   |   |   |   |   |   |   |   |   |   |   |   |   |   |   |   |   |   |   |   |   |   |   |   |   |
| G                | RW | BURST  |          |    |  | Enable burst mode   |    |    |    |    |    |    |    |    |    |    |    |    |    |    |    |    |   |   |   |   |   |   |   |   |   |   |   |   |   |   |   |   |   |   |   |   |   |   |   |   |   |   |   |   |   |   |   |   |   |   |   |   |
|                  |    |        | Disabled | 0  | Burst mode is disabled (normal operation)  |   |    |    |    |    |    |    |    |    |    |    |    |    |    |    |    |    |   |   |   |   |   |   |   |   |   |   |   |   |   |   |   |   |   |   |   |   |   |   |   |   |   |   |   |   |   |   |   |   |   |   |   |   |
|                  |    |        | Enabled  | 1  | Burst mode is enabled. SAADC takes 2 <sup>OVERSAMPLE</sup> number of samples as fast as it can, and sends the average to Data RAM. |   |    |    |    |    |    |    |    |    |    |    |    |    |    |    |    |    |   |   |   |   |   |   |   |   |   |   |   |   |   |   |   |   |   |   |   |   |   |   |   |   |   |   |   |   |   |   |   |   |   |   |   |   |

### 37.11.17 CH[2].LIMIT

Address offset: 0x53C

High/low limits for event monitoring a channel

| Bit number       | 31 | 30    | 29       | 28                 | 27               | 26 | 25 | 24 | 23 | 22 | 21 | 20 | 19 | 18 | 17 | 16 | 15 | 14 | 13 | 12 | 11 | 10 | 9 | 8 | 7 | 6 | 5 | 4 | 3 | 2 | 1 | 0 |
|------------------|----|-------|----------|--------------------|------------------|----|----|----|----|----|----|----|----|----|----|----|----|----|----|----|----|----|---|---|---|---|---|---|---|---|---|---|
| Id               | B  | B     | B        | B                  | B                | B  | B  | B  | B  | B  | B  | B  | B  | B  | B  | B  | A  | A  | A  | A  | A  | A  | A | A | A | A | A | A | A | A | A | A |
| Reset 0x7FFF8000 | 0  | 1     | 1        | 1                  | 1                | 1  | 1  | 1  | 1  | 1  | 1  | 1  | 1  | 1  | 1  | 1  | 0  | 0  | 0  | 0  | 0  | 0  | 0 | 0 | 0 | 0 | 0 | 0 | 0 | 0 | 0 |   |
| Id               | RW | Field | Value Id | Value              | Description      |    |    |    |    |    |    |    |    |    |    |    |    |    |    |    |    |    |   |   |   |   |   |   |   |   |   |   |
| A                | RW | LOW   |          | [-32768 to +32767] | Low level limit  |    |    |    |    |    |    |    |    |    |    |    |    |    |    |    |    |    |   |   |   |   |   |   |   |   |   |   |
| B                | RW | HIGH  |          | [-32768 to +32767] | High level limit |    |    |    |    |    |    |    |    |    |    |    |    |    |    |    |    |    |   |   |   |   |   |   |   |   |   |   |

### 37.11.18 CH[3].PSELP

Address offset: 0x540

Input positive pin selection for CH[3]

| Bit number       | 31 | 30    | 29           | 28    | 27                            | 26 | 25 | 24 | 23 | 22 | 21 | 20 | 19 | 18 | 17 | 16 | 15 | 14 | 13 | 12 | 11 | 10 | 9 | 8 | 7 | 6 | 5 | 4 | 3 | 2 | 1 | 0 |   |   |   |   |
|------------------|----|-------|--------------|-------|-------------------------------|----|----|----|----|----|----|----|----|----|----|----|----|----|----|----|----|----|---|---|---|---|---|---|---|---|---|---|---|---|---|---|
| Id               |    |       |              |       |                               |    |    |    |    |    |    |    |    |    |    |    |    |    |    |    |    |    |   |   |   |   |   |   |   |   |   | A | A | A | A | A |
| Reset 0x00000000 | 0  | 0     | 0            | 0     | 0                             | 0  | 0  | 0  | 0  | 0  | 0  | 0  | 0  | 0  | 0  | 0  | 0  | 0  | 0  | 0  | 0  | 0  | 0 | 0 | 0 | 0 | 0 | 0 | 0 | 0 | 0 | 0 | 0 | 0 | 0 |   |
| Id               | RW | Field | Value Id     | Value | Description                   |    |    |    |    |    |    |    |    |    |    |    |    |    |    |    |    |    |   |   |   |   |   |   |   |   |   |   |   |   |   |   |
| A                | RW | PSELP |              |       | Analog positive input channel |    |    |    |    |    |    |    |    |    |    |    |    |    |    |    |    |    |   |   |   |   |   |   |   |   |   |   |   |   |   |   |
|                  |    |       | NC           | 0     | Not connected                 |    |    |    |    |    |    |    |    |    |    |    |    |    |    |    |    |    |   |   |   |   |   |   |   |   |   |   |   |   |   |   |
|                  |    |       | AnalogInput0 | 1     | AIN0                          |    |    |    |    |    |    |    |    |    |    |    |    |    |    |    |    |    |   |   |   |   |   |   |   |   |   |   |   |   |   |   |
|                  |    |       | AnalogInput1 | 2     | AIN1                          |    |    |    |    |    |    |    |    |    |    |    |    |    |    |    |    |    |   |   |   |   |   |   |   |   |   |   |   |   |   |   |
|                  |    |       | AnalogInput2 | 3     | AIN2                          |    |    |    |    |    |    |    |    |    |    |    |    |    |    |    |    |    |   |   |   |   |   |   |   |   |   |   |   |   |   |   |
|                  |    |       | AnalogInput3 | 4     | AIN3                          |    |    |    |    |    |    |    |    |    |    |    |    |    |    |    |    |    |   |   |   |   |   |   |   |   |   |   |   |   |   |   |
|                  |    |       | AnalogInput4 | 5     | AIN4                          |    |    |    |    |    |    |    |    |    |    |    |    |    |    |    |    |    |   |   |   |   |   |   |   |   |   |   |   |   |   |   |
|                  |    |       | AnalogInput5 | 6     | AIN5                          |    |    |    |    |    |    |    |    |    |    |    |    |    |    |    |    |    |   |   |   |   |   |   |   |   |   |   |   |   |   |   |
|                  |    |       | AnalogInput6 | 7     | AIN6                          |    |    |    |    |    |    |    |    |    |    |    |    |    |    |    |    |    |   |   |   |   |   |   |   |   |   |   |   |   |   |   |
|                  |    |       | AnalogInput7 | 8     | AIN7                          |    |    |    |    |    |    |    |    |    |    |    |    |    |    |    |    |    |   |   |   |   |   |   |   |   |   |   |   |   |   |   |
|                  |    |       | VDD          | 9     | VDD                           |    |    |    |    |    |    |    |    |    |    |    |    |    |    |    |    |    |   |   |   |   |   |   |   |   |   |   |   |   |   |   |

### 37.11.19 CH[3].PSELN

Address offset: 0x544

Input negative pin selection for CH[3]

| Bit number       | 31 | 30    | 29           | 28    | 27  | 26 | 25 | 24 | 23 | 22 | 21 | 20 | 19 | 18 | 17 | 16 | 15 | 14 | 13 | 12 | 11 | 10 | 9 | 8 | 7 | 6 | 5 | 4 | 3 | 2 | 1 | 0 |   |   |   |   |   |
|------------------|----|-------|--------------|-------|---|----|----|----|----|----|----|----|----|----|----|----|----|----|----|----|----|----|---|---|---|---|---|---|---|---|---|---|---|---|---|---|---|
| Id               |    |       |              |       |   |    |    |    |    |    |    |    |    |    |    |    |    |    |    |    |    |    |   |   |   |   |   |   |   |   |   |   | A | A | A | A | A |
| Reset 0x00000000 | 0  | 0     | 0            | 0     | 0   | 0  | 0  | 0  | 0  | 0  | 0  | 0  | 0  | 0  | 0  | 0  | 0  | 0  | 0  | 0  | 0  | 0  | 0 | 0 | 0 | 0 | 0 | 0 | 0 | 0 | 0 | 0 | 0 | 0 | 0 | 0 |   |
| Id               | RW | Field | Value Id     | Value | Description   |    |    |    |    |    |    |    |    |    |    |    |    |    |    |    |    |    |   |   |   |   |   |   |   |   |   |   |   |   |   |   |   |
| A                | RW | PSELN |              |       | Analog negative input, enables differential channel |    |    |    |    |    |    |    |    |    |    |    |    |    |    |    |    |    |   |   |   |   |   |   |   |   |   |   |   |   |   |   |   |
|                  |    |       | NC           | 0     | Not connected                                       |    |    |    |    |    |    |    |    |    |    |    |    |    |    |    |    |    |   |   |   |   |   |   |   |   |   |   |   |   |   |   |   |
|                  |    |       | AnalogInput0 | 1     | AIN0  |    |    |    |    |    |    |    |    |    |    |    |    |    |    |    |    |    |   |   |   |   |   |   |   |   |   |   |   |   |   |   |   |
|                  |    |       | AnalogInput1 | 2     | AIN1  |    |    |    |    |    |    |    |    |    |    |    |    |    |    |    |    |    |   |   |   |   |   |   |   |   |   |   |   |   |   |   |   |
|                  |    |       | AnalogInput2 | 3     | AIN2  |    |    |    |    |    |    |    |    |    |    |    |    |    |    |    |    |    |   |   |   |   |   |   |   |   |   |   |   |   |   |   |   |
|                  |    |       | AnalogInput3 | 4     | AIN3  |    |    |    |    |    |    |    |    |    |    |    |    |    |    |    |    |    |   |   |   |   |   |   |   |   |   |   |   |   |   |   |   |
|                  |    |       | AnalogInput4 | 5     | AIN4  |    |    |    |    |    |    |    |    |    |    |    |    |    |    |    |    |    |   |   |   |   |   |   |   |   |   |   |   |   |   |   |   |
|                  |    |       | AnalogInput5 | 6     | AIN5  |    |    |    |    |    |    |    |    |    |    |    |    |    |    |    |    |    |   |   |   |   |   |   |   |   |   |   |   |   |   |   |   |
|                  |    |       | AnalogInput6 | 7     | AIN6  |    |    |    |    |    |    |    |    |    |    |    |    |    |    |    |    |    |   |   |   |   |   |   |   |   |   |   |   |   |   |   |   |
|                  |    |       | AnalogInput7 | 8     | AIN7  |    |    |    |    |    |    |    |    |    |    |    |    |    |    |    |    |    |   |   |   |   |   |   |   |   |   |   |   |   |   |   |   |
|                  |    |       | VDD          | 9     | VDD   |    |    |    |    |    |    |    |    |    |    |    |    |    |    |    |    |    |   |   |   |   |   |   |   |   |   |   |   |   |   |   |   |

### 37.11.20 CH[3].CONFIG

Address offset: 0x548

Input configuration for CH[3]

| Bit number       | 31 | 30    | 29       | 28    | 27                                | 26 | 25 | 24 | 23 | 22 | 21 | 20 | 19 | 18 | 17 | 16 | 15 | 14 | 13 | 12 | 11 | 10 | 9 | 8 | 7 | 6 | 5 | 4 | 3 | 2 | 1 | 0 |   |   |
|------------------|----|-------|----------|-------|-----------------------------------|----|----|----|----|----|----|----|----|----|----|----|----|----|----|----|----|----|---|---|---|---|---|---|---|---|---|---|---|---|
| Id               |    |       |          |       |                                   |    |    |    |    | G  |    | F  |    | E  | E  | E  |    |    |    |    | D  |    | C | C | C |   |   | B | B |   |   | A | A |   |
| Reset 0x00020000 | 0  | 0     | 0        | 0     | 0                                 | 0  | 0  | 0  | 0  | 0  | 0  | 0  | 0  | 0  | 0  | 1  | 0  | 0  | 0  | 0  | 0  | 0  | 0 | 0 | 0 | 0 | 0 | 0 | 0 | 0 | 0 | 0 | 0 | 0 |
| Id               | RW | Field | Value Id | Value | Description                       |    |    |    |    |    |    |    |    |    |    |    |    |    |    |    |    |    |   |   |   |   |   |   |   |   |   |   |   |   |
| A                | RW | RESP  |          |       | Positive channel resistor control |    |    |    |    |    |    |    |    |    |    |    |    |    |    |    |    |    |   |   |   |   |   |   |   |   |   |   |   |   |

| Bit number       | 31 30 29 28 27 26 25 24 23 22 21 20 19 18 17 16 15 14 13 12 11 10 9 8 7 6 5 4 3 2 1 0 |        |          |       |  |  |  |  |   |  |  |       |  |  |   |  |  |       |  |  |     |  |     |  |  |  |  |  |  |  |  |  |
|------------------|---|--------|----------|-------|--|--|--|--|---|--|--|-------|--|--|---|--|--|-------|--|--|-----|--|-----|--|--|--|--|--|--|--|--|--|
| Id               | G   |        |          |       |  |  |  |  | F |  |  | E E E |  |  | D |  |  | C C C |  |  | B B |  | A A |  |  |  |  |  |  |  |  |  |
| Reset 0x00020000 | 0 0 0 0 0 0 0 0 0 0 0 0 0 0 0 0 1 0         |        |          |       |  |  |  |  |   |  |  |       |  |  |   |  |  |       |  |  |     |  |     |  |  |  |  |  |  |  |  |  |
| Id               | RW  | Field  | Value Id | Value | Description  |  |  |  |   |  |  |       |  |  |   |  |  |       |  |  |     |  |     |  |  |  |  |  |  |  |  |  |
|                  |   |        | Bypass   | 0     | Bypass resistor ladder   |  |  |  |   |  |  |       |  |  |   |  |  |       |  |  |     |  |     |  |  |  |  |  |  |  |  |  |
|                  |   |        | Pulldown | 1     | Pull-down to GND   |  |  |  |   |  |  |       |  |  |   |  |  |       |  |  |     |  |     |  |  |  |  |  |  |  |  |  |
|                  |   |        | Pullup   | 2     | Pull-up to VDD   |  |  |  |   |  |  |       |  |  |   |  |  |       |  |  |     |  |     |  |  |  |  |  |  |  |  |  |
|                  |   |        | VDD1_2   | 3     | Set input at VDD/2   |  |  |  |   |  |  |       |  |  |   |  |  |       |  |  |     |  |     |  |  |  |  |  |  |  |  |  |
| B                | RW  | RESN   |          |       | Negative channel resistor control  |  |  |  |   |  |  |       |  |  |   |  |  |       |  |  |     |  |     |  |  |  |  |  |  |  |  |  |
|                  |   |        | Bypass   | 0     | Bypass resistor ladder   |  |  |  |   |  |  |       |  |  |   |  |  |       |  |  |     |  |     |  |  |  |  |  |  |  |  |  |
|                  |   |        | Pulldown | 1     | Pull-down to GND   |  |  |  |   |  |  |       |  |  |   |  |  |       |  |  |     |  |     |  |  |  |  |  |  |  |  |  |
|                  |   |        | Pullup   | 2     | Pull-up to VDD   |  |  |  |   |  |  |       |  |  |   |  |  |       |  |  |     |  |     |  |  |  |  |  |  |  |  |  |
|                  |   |        | VDD1_2   | 3     | Set input at VDD/2   |  |  |  |   |  |  |       |  |  |   |  |  |       |  |  |     |  |     |  |  |  |  |  |  |  |  |  |
| C                | RW  | GAIN   |          |       | Gain control   |  |  |  |   |  |  |       |  |  |   |  |  |       |  |  |     |  |     |  |  |  |  |  |  |  |  |  |
|                  |   |        | Gain1_6  | 0     | 1/6  |  |  |  |   |  |  |       |  |  |   |  |  |       |  |  |     |  |     |  |  |  |  |  |  |  |  |  |
|                  |   |        | Gain1_5  | 1     | 1/5  |  |  |  |   |  |  |       |  |  |   |  |  |       |  |  |     |  |     |  |  |  |  |  |  |  |  |  |
|                  |   |        | Gain1_4  | 2     | 1/4  |  |  |  |   |  |  |       |  |  |   |  |  |       |  |  |     |  |     |  |  |  |  |  |  |  |  |  |
|                  |   |        | Gain1_3  | 3     | 1/3  |  |  |  |   |  |  |       |  |  |   |  |  |       |  |  |     |  |     |  |  |  |  |  |  |  |  |  |
|                  |   |        | Gain1_2  | 4     | 1/2  |  |  |  |   |  |  |       |  |  |   |  |  |       |  |  |     |  |     |  |  |  |  |  |  |  |  |  |
|                  |   |        | Gain1    | 5     | 1  |  |  |  |   |  |  |       |  |  |   |  |  |       |  |  |     |  |     |  |  |  |  |  |  |  |  |  |
|                  |   |        | Gain2    | 6     | 2  |  |  |  |   |  |  |       |  |  |   |  |  |       |  |  |     |  |     |  |  |  |  |  |  |  |  |  |
|                  |   |        | Gain4    | 7     | 4  |  |  |  |   |  |  |       |  |  |   |  |  |       |  |  |     |  |     |  |  |  |  |  |  |  |  |  |
| D                | RW  | REFSEL |          |       | Reference control  |  |  |  |   |  |  |       |  |  |   |  |  |       |  |  |     |  |     |  |  |  |  |  |  |  |  |  |
|                  |   |        | Internal | 0     | Internal reference (0.6 V)   |  |  |  |   |  |  |       |  |  |   |  |  |       |  |  |     |  |     |  |  |  |  |  |  |  |  |  |
|                  |   |        | VDD1_4   | 1     | VDD/4 as reference   |  |  |  |   |  |  |       |  |  |   |  |  |       |  |  |     |  |     |  |  |  |  |  |  |  |  |  |
| E                | RW  | TACQ   |          |       | Acquisition time, the time the ADC uses to sample the input voltage  |  |  |  |   |  |  |       |  |  |   |  |  |       |  |  |     |  |     |  |  |  |  |  |  |  |  |  |
|                  |   |        | 3us      | 0     | 3 us   |  |  |  |   |  |  |       |  |  |   |  |  |       |  |  |     |  |     |  |  |  |  |  |  |  |  |  |
|                  |   |        | 5us      | 1     | 5 us   |  |  |  |   |  |  |       |  |  |   |  |  |       |  |  |     |  |     |  |  |  |  |  |  |  |  |  |
|                  |   |        | 10us     | 2     | 10 us  |  |  |  |   |  |  |       |  |  |   |  |  |       |  |  |     |  |     |  |  |  |  |  |  |  |  |  |
|                  |   |        | 15us     | 3     | 15 us  |  |  |  |   |  |  |       |  |  |   |  |  |       |  |  |     |  |     |  |  |  |  |  |  |  |  |  |
|                  |   |        | 20us     | 4     | 20 us  |  |  |  |   |  |  |       |  |  |   |  |  |       |  |  |     |  |     |  |  |  |  |  |  |  |  |  |
|                  |   |        | 40us     | 5     | 40 us  |  |  |  |   |  |  |       |  |  |   |  |  |       |  |  |     |  |     |  |  |  |  |  |  |  |  |  |
| F                | RW  | MODE   |          |       | Enable differential mode   |  |  |  |   |  |  |       |  |  |   |  |  |       |  |  |     |  |     |  |  |  |  |  |  |  |  |  |
|                  |   |        | SE       | 0     | Single ended, PSELN will be ignored, negative input to ADC shorted to GND  |  |  |  |   |  |  |       |  |  |   |  |  |       |  |  |     |  |     |  |  |  |  |  |  |  |  |  |
|                  |   |        | Diff     | 1     | Differential   |  |  |  |   |  |  |       |  |  |   |  |  |       |  |  |     |  |     |  |  |  |  |  |  |  |  |  |
| G                | RW  | BURST  |          |       | Enable burst mode  |  |  |  |   |  |  |       |  |  |   |  |  |       |  |  |     |  |     |  |  |  |  |  |  |  |  |  |
|                  |   |        | Disabled | 0     | Burst mode is disabled (normal operation)  |  |  |  |   |  |  |       |  |  |   |  |  |       |  |  |     |  |     |  |  |  |  |  |  |  |  |  |
|                  |   |        | Enabled  | 1     | Burst mode is enabled. SAADC takes 2 <sup>OVERSAMPLE</sup> number of samples as fast as it can, and sends the average to Data RAM. |  |  |  |   |  |  |       |  |  |   |  |  |       |  |  |     |  |     |  |  |  |  |  |  |  |  |  |

### 37.11.21 CH[3].LIMIT

Address offset: 0x54C

High/low limits for event monitoring a channel

| Bit number       | 31 30 29 28 27 26 25 24 23 22 21 20 19 18 17 16 15 14 13 12 11 10 9 8 7 6 5 4 3 2 1 0 |       |          |                    |                  |  |  |  |       |  |  |       |  |  |       |  |  |       |  |  |       |  |       |  |       |  |  |  |  |  |  |  |
|------------------|---|-------|----------|--------------------|------------------|--|--|--|-------|--|--|-------|--|--|-------|--|--|-------|--|--|-------|--|-------|--|-------|--|--|--|--|--|--|--|
| Id               | B   |       |          |                    |                  |  |  |  | B B B |  |  | B B B |  |  | B B B |  |  | B B B |  |  | A A A |  | A A A |  | A A A |  |  |  |  |  |  |  |
| Reset 0x7FFF8000 | 0 1 1 1 1 1 1 1 1 1 1 1 1 1 1 1 1 1 1 1 0 0 0 0 0 0 0 0 0 0 0 0 0 0 0 0 0 0 0         |       |          |                    |                  |  |  |  |       |  |  |       |  |  |       |  |  |       |  |  |       |  |       |  |       |  |  |  |  |  |  |  |
| Id               | RW  | Field | Value Id | Value              | Description      |  |  |  |       |  |  |       |  |  |       |  |  |       |  |  |       |  |       |  |       |  |  |  |  |  |  |  |
| A                | RW  | LOW   |          | [-32768 to +32767] | Low level limit  |  |  |  |       |  |  |       |  |  |       |  |  |       |  |  |       |  |       |  |       |  |  |  |  |  |  |  |
| B                | RW  | HIGH  |          | [-32768 to +32767] | High level limit |  |  |  |       |  |  |       |  |  |       |  |  |       |  |  |       |  |       |  |       |  |  |  |  |  |  |  |

### 37.11.22 CH[4].PSELP

Address offset: 0x550

Input positive pin selection for CH[4]

| Bit number       | 31 30 29 28 27 26 25 24 23 22 21 20 19 18 17 16 15 14 13 12 11 10 9 8 7 6 5 4 3 2 1 0 |       |              |       |                               |  |  |  |  |  |  |  |  |  |  |  |  |  |  |  |  |  |  |  |  |  |  |  |  |  |  |
|------------------|---|-------|--------------|-------|-------------------------------|--|--|--|--|--|--|--|--|--|--|--|--|--|--|--|--|--|--|--|--|--|--|--|--|--|--|
| Id               | A A A A A   |       |              |       |                               |  |  |  |  |  |  |  |  |  |  |  |  |  |  |  |  |  |  |  |  |  |  |  |  |  |  |
| Reset 0x00000000 | 0             |       |              |       |                               |  |  |  |  |  |  |  |  |  |  |  |  |  |  |  |  |  |  |  |  |  |  |  |  |  |  |
| Id               | RW  | Field | Value Id     | Value | Description                   |  |  |  |  |  |  |  |  |  |  |  |  |  |  |  |  |  |  |  |  |  |  |  |  |  |  |
| A                | RW  | PSELN |              |       | Analog positive input channel |  |  |  |  |  |  |  |  |  |  |  |  |  |  |  |  |  |  |  |  |  |  |  |  |  |  |
|                  |   |       | NC           | 0     | Not connected                 |  |  |  |  |  |  |  |  |  |  |  |  |  |  |  |  |  |  |  |  |  |  |  |  |  |  |
|                  |   |       | AnalogInput0 | 1     | AIN0                          |  |  |  |  |  |  |  |  |  |  |  |  |  |  |  |  |  |  |  |  |  |  |  |  |  |  |
|                  |   |       | AnalogInput1 | 2     | AIN1                          |  |  |  |  |  |  |  |  |  |  |  |  |  |  |  |  |  |  |  |  |  |  |  |  |  |  |
|                  |   |       | AnalogInput2 | 3     | AIN2                          |  |  |  |  |  |  |  |  |  |  |  |  |  |  |  |  |  |  |  |  |  |  |  |  |  |  |
|                  |   |       | AnalogInput3 | 4     | AIN3                          |  |  |  |  |  |  |  |  |  |  |  |  |  |  |  |  |  |  |  |  |  |  |  |  |  |  |
|                  |   |       | AnalogInput4 | 5     | AIN4                          |  |  |  |  |  |  |  |  |  |  |  |  |  |  |  |  |  |  |  |  |  |  |  |  |  |  |
|                  |   |       | AnalogInput5 | 6     | AIN5                          |  |  |  |  |  |  |  |  |  |  |  |  |  |  |  |  |  |  |  |  |  |  |  |  |  |  |
|                  |   |       | AnalogInput6 | 7     | AIN6                          |  |  |  |  |  |  |  |  |  |  |  |  |  |  |  |  |  |  |  |  |  |  |  |  |  |  |
|                  |   |       | AnalogInput7 | 8     | AIN7                          |  |  |  |  |  |  |  |  |  |  |  |  |  |  |  |  |  |  |  |  |  |  |  |  |  |  |
|                  |   |       | VDD          | 9     | VDD                           |  |  |  |  |  |  |  |  |  |  |  |  |  |  |  |  |  |  |  |  |  |  |  |  |  |  |

### 37.11.23 CH[4].PSELN

Address offset: 0x554

Input negative pin selection for CH[4]

| Bit number       | 31 30 29 28 27 26 25 24 23 22 21 20 19 18 17 16 15 14 13 12 11 10 9 8 7 6 5 4 3 2 1 0 |       |              |       |   |  |  |  |  |  |  |  |  |  |  |  |  |  |  |  |  |  |  |  |  |  |  |  |  |  |  |
|------------------|---|-------|--------------|-------|---|--|--|--|--|--|--|--|--|--|--|--|--|--|--|--|--|--|--|--|--|--|--|--|--|--|--|
| Id               | A A A A A   |       |              |       |   |  |  |  |  |  |  |  |  |  |  |  |  |  |  |  |  |  |  |  |  |  |  |  |  |  |  |
| Reset 0x00000000 | 0             |       |              |       |   |  |  |  |  |  |  |  |  |  |  |  |  |  |  |  |  |  |  |  |  |  |  |  |  |  |  |
| Id               | RW  | Field | Value Id     | Value | Description   |  |  |  |  |  |  |  |  |  |  |  |  |  |  |  |  |  |  |  |  |  |  |  |  |  |  |
| A                | RW  | PSELN |              |       | Analog negative input, enables differential channel |  |  |  |  |  |  |  |  |  |  |  |  |  |  |  |  |  |  |  |  |  |  |  |  |  |  |
|                  |   |       | NC           | 0     | Not connected                                       |  |  |  |  |  |  |  |  |  |  |  |  |  |  |  |  |  |  |  |  |  |  |  |  |  |  |
|                  |   |       | AnalogInput0 | 1     | AIN0  |  |  |  |  |  |  |  |  |  |  |  |  |  |  |  |  |  |  |  |  |  |  |  |  |  |  |
|                  |   |       | AnalogInput1 | 2     | AIN1  |  |  |  |  |  |  |  |  |  |  |  |  |  |  |  |  |  |  |  |  |  |  |  |  |  |  |
|                  |   |       | AnalogInput2 | 3     | AIN2  |  |  |  |  |  |  |  |  |  |  |  |  |  |  |  |  |  |  |  |  |  |  |  |  |  |  |
|                  |   |       | AnalogInput3 | 4     | AIN3  |  |  |  |  |  |  |  |  |  |  |  |  |  |  |  |  |  |  |  |  |  |  |  |  |  |  |
|                  |   |       | AnalogInput4 | 5     | AIN4  |  |  |  |  |  |  |  |  |  |  |  |  |  |  |  |  |  |  |  |  |  |  |  |  |  |  |
|                  |   |       | AnalogInput5 | 6     | AIN5  |  |  |  |  |  |  |  |  |  |  |  |  |  |  |  |  |  |  |  |  |  |  |  |  |  |  |
|                  |   |       | AnalogInput6 | 7     | AIN6  |  |  |  |  |  |  |  |  |  |  |  |  |  |  |  |  |  |  |  |  |  |  |  |  |  |  |
|                  |   |       | AnalogInput7 | 8     | AIN7  |  |  |  |  |  |  |  |  |  |  |  |  |  |  |  |  |  |  |  |  |  |  |  |  |  |  |
|                  |   |       | VDD          | 9     | VDD   |  |  |  |  |  |  |  |  |  |  |  |  |  |  |  |  |  |  |  |  |  |  |  |  |  |  |

### 37.11.24 CH[4].CONFIG

Address offset: 0x558

Input configuration for CH[4]

| Bit number       | 31 30 29 28 27 26 25 24 23 22 21 20 19 18 17 16 15 14 13 12 11 10 9 8 7 6 5 4 3 2 1 0 |       |          |       |                                   |  |  |  |  |  |  |  |  |  |  |  |  |  |  |  |  |  |  |  |  |  |  |  |  |  |  |
|------------------|---|-------|----------|-------|-----------------------------------|--|--|--|--|--|--|--|--|--|--|--|--|--|--|--|--|--|--|--|--|--|--|--|--|--|--|
| Id               | G F E E E D C C C B B A A   |       |          |       |                                   |  |  |  |  |  |  |  |  |  |  |  |  |  |  |  |  |  |  |  |  |  |  |  |  |  |  |
| Reset 0x00020000 | 0 0 0 0 0 0 0 0 0 0 0 0 0 0 0 1 0             |       |          |       |                                   |  |  |  |  |  |  |  |  |  |  |  |  |  |  |  |  |  |  |  |  |  |  |  |  |  |  |
| Id               | RW  | Field | Value Id | Value | Description                       |  |  |  |  |  |  |  |  |  |  |  |  |  |  |  |  |  |  |  |  |  |  |  |  |  |  |
| A                | RW  | RESP  |          |       | Positive channel resistor control |  |  |  |  |  |  |  |  |  |  |  |  |  |  |  |  |  |  |  |  |  |  |  |  |  |  |
|                  |   |       | Bypass   | 0     | Bypass resistor ladder            |  |  |  |  |  |  |  |  |  |  |  |  |  |  |  |  |  |  |  |  |  |  |  |  |  |  |
|                  |   |       | Pulldown | 1     | Pull-down to GND                  |  |  |  |  |  |  |  |  |  |  |  |  |  |  |  |  |  |  |  |  |  |  |  |  |  |  |
|                  |   |       | Pullup   | 2     | Pull-up to VDD                    |  |  |  |  |  |  |  |  |  |  |  |  |  |  |  |  |  |  |  |  |  |  |  |  |  |  |
|                  |   |       | VDD1_2   | 3     | Set input at VDD/2                |  |  |  |  |  |  |  |  |  |  |  |  |  |  |  |  |  |  |  |  |  |  |  |  |  |  |
| B                | RW  | RESN  |          |       | Negative channel resistor control |  |  |  |  |  |  |  |  |  |  |  |  |  |  |  |  |  |  |  |  |  |  |  |  |  |  |
|                  |   |       | Bypass   | 0     | Bypass resistor ladder            |  |  |  |  |  |  |  |  |  |  |  |  |  |  |  |  |  |  |  |  |  |  |  |  |  |  |
|                  |   |       | Pulldown | 1     | Pull-down to GND                  |  |  |  |  |  |  |  |  |  |  |  |  |  |  |  |  |  |  |  |  |  |  |  |  |  |  |
|                  |   |       | Pullup   | 2     | Pull-up to VDD                    |  |  |  |  |  |  |  |  |  |  |  |  |  |  |  |  |  |  |  |  |  |  |  |  |  |  |
|                  |   |       | VDD1_2   | 3     | Set input at VDD/2                |  |  |  |  |  |  |  |  |  |  |  |  |  |  |  |  |  |  |  |  |  |  |  |  |  |  |
| C                | RW  | GAIN  |          |       | Gain control                      |  |  |  |  |  |  |  |  |  |  |  |  |  |  |  |  |  |  |  |  |  |  |  |  |  |  |
|                  |   |       | Gain1_6  | 0     | 1/6                               |  |  |  |  |  |  |  |  |  |  |  |  |  |  |  |  |  |  |  |  |  |  |  |  |  |  |
|                  |   |       | Gain1_5  | 1     | 1/5                               |  |  |  |  |  |  |  |  |  |  |  |  |  |  |  |  |  |  |  |  |  |  |  |  |  |  |

| Bit number       | 31 30 29 28 27 26 25 24 23 22 21 20 19 18 17 16 15 14 13 12 11 10 9 8 7 6 5 4 3 2 1 0 |        |          |       |  |  |  |  |  |  |  |  |  |  |  |  |  |  |  |  |  |  |  |  |  |  |  |  |  |  |  |  |
|------------------|---|--------|----------|-------|--|--|--|--|--|--|--|--|--|--|--|--|--|--|--|--|--|--|--|--|--|--|--|--|--|--|--|--|
| Id               | G F E E E D C C C B B A A   |        |          |       |  |  |  |  |  |  |  |  |  |  |  |  |  |  |  |  |  |  |  |  |  |  |  |  |  |  |  |  |
| Reset 0x00020000 | 0 0 0 0 0 0 0 0 0 0 0 0 0 0 0 1 0 0 0 0 0 0 0 0 0 0 0 0 0 0 0 0 0 0                   |        |          |       |  |  |  |  |  |  |  |  |  |  |  |  |  |  |  |  |  |  |  |  |  |  |  |  |  |  |  |  |
| Id               | RW  | Field  | Value Id | Value | Description  |  |  |  |  |  |  |  |  |  |  |  |  |  |  |  |  |  |  |  |  |  |  |  |  |  |  |  |
|                  |   |        | Gain1_4  | 2     | 1/4  |  |  |  |  |  |  |  |  |  |  |  |  |  |  |  |  |  |  |  |  |  |  |  |  |  |  |  |
|                  |   |        | Gain1_3  | 3     | 1/3  |  |  |  |  |  |  |  |  |  |  |  |  |  |  |  |  |  |  |  |  |  |  |  |  |  |  |  |
|                  |   |        | Gain1_2  | 4     | 1/2  |  |  |  |  |  |  |  |  |  |  |  |  |  |  |  |  |  |  |  |  |  |  |  |  |  |  |  |
|                  |   |        | Gain1    | 5     | 1  |  |  |  |  |  |  |  |  |  |  |  |  |  |  |  |  |  |  |  |  |  |  |  |  |  |  |  |
|                  |   |        | Gain2    | 6     | 2  |  |  |  |  |  |  |  |  |  |  |  |  |  |  |  |  |  |  |  |  |  |  |  |  |  |  |  |
|                  |   |        | Gain4    | 7     | 4  |  |  |  |  |  |  |  |  |  |  |  |  |  |  |  |  |  |  |  |  |  |  |  |  |  |  |  |
| D                | RW  | REFSEL |          |       | Reference control  |  |  |  |  |  |  |  |  |  |  |  |  |  |  |  |  |  |  |  |  |  |  |  |  |  |  |  |
|                  |   |        | Internal | 0     | Internal reference (0.6 V)   |  |  |  |  |  |  |  |  |  |  |  |  |  |  |  |  |  |  |  |  |  |  |  |  |  |  |  |
|                  |   |        | VDD1_4   | 1     | VDD/4 as reference   |  |  |  |  |  |  |  |  |  |  |  |  |  |  |  |  |  |  |  |  |  |  |  |  |  |  |  |
| E                | RW  | TACQ   |          |       | Acquisition time, the time the ADC uses to sample the input voltage  |  |  |  |  |  |  |  |  |  |  |  |  |  |  |  |  |  |  |  |  |  |  |  |  |  |  |  |
|                  |   |        | 3us      | 0     | 3 us   |  |  |  |  |  |  |  |  |  |  |  |  |  |  |  |  |  |  |  |  |  |  |  |  |  |  |  |
|                  |   |        | 5us      | 1     | 5 us   |  |  |  |  |  |  |  |  |  |  |  |  |  |  |  |  |  |  |  |  |  |  |  |  |  |  |  |
|                  |   |        | 10us     | 2     | 10 us  |  |  |  |  |  |  |  |  |  |  |  |  |  |  |  |  |  |  |  |  |  |  |  |  |  |  |  |
|                  |   |        | 15us     | 3     | 15 us  |  |  |  |  |  |  |  |  |  |  |  |  |  |  |  |  |  |  |  |  |  |  |  |  |  |  |  |
|                  |   |        | 20us     | 4     | 20 us  |  |  |  |  |  |  |  |  |  |  |  |  |  |  |  |  |  |  |  |  |  |  |  |  |  |  |  |
|                  |   |        | 40us     | 5     | 40 us  |  |  |  |  |  |  |  |  |  |  |  |  |  |  |  |  |  |  |  |  |  |  |  |  |  |  |  |
| F                | RW  | MODE   |          |       | Enable differential mode   |  |  |  |  |  |  |  |  |  |  |  |  |  |  |  |  |  |  |  |  |  |  |  |  |  |  |  |
|                  |   |        | SE       | 0     | Single ended, PSELN will be ignored, negative input to ADC shorted to GND  |  |  |  |  |  |  |  |  |  |  |  |  |  |  |  |  |  |  |  |  |  |  |  |  |  |  |  |
|                  |   |        | Diff     | 1     | Differential   |  |  |  |  |  |  |  |  |  |  |  |  |  |  |  |  |  |  |  |  |  |  |  |  |  |  |  |
| G                | RW  | BURST  |          |       | Enable burst mode  |  |  |  |  |  |  |  |  |  |  |  |  |  |  |  |  |  |  |  |  |  |  |  |  |  |  |  |
|                  |   |        | Disabled | 0     | Burst mode is disabled (normal operation)  |  |  |  |  |  |  |  |  |  |  |  |  |  |  |  |  |  |  |  |  |  |  |  |  |  |  |  |
|                  |   |        | Enabled  | 1     | Burst mode is enabled. SAADC takes 2 <sup>OVERSAMPLE</sup> number of samples as fast as it can, and sends the average to Data RAM. |  |  |  |  |  |  |  |  |  |  |  |  |  |  |  |  |  |  |  |  |  |  |  |  |  |  |  |

### 37.11.25 CH[4].LIMIT

Address offset: 0x55C

High/low limits for event monitoring a channel

| Bit number       | 31 30 29 28 27 26 25 24 23 22 21 20 19 18 17 16 15 14 13 12 11 10 9 8 7 6 5 4 3 2 1 0 |       |          |                    |                  |  |  |  |  |  |  |  |  |  |  |  |  |  |  |  |  |  |  |  |  |  |  |  |  |  |  |  |
|------------------|---|-------|----------|--------------------|------------------|--|--|--|--|--|--|--|--|--|--|--|--|--|--|--|--|--|--|--|--|--|--|--|--|--|--|--|
| Id               | B B B B B B B B B B B B B B B A A A A A A A A A A A A A A A A A                       |       |          |                    |                  |  |  |  |  |  |  |  |  |  |  |  |  |  |  |  |  |  |  |  |  |  |  |  |  |  |  |  |
| Reset 0x7FFF8000 | 0 1 1 1 1 1 1 1 1 1 1 1 1 1 1 1 0 0 0 0 0 0 0 0 0 0 0 0 0 0 0 0                       |       |          |                    |                  |  |  |  |  |  |  |  |  |  |  |  |  |  |  |  |  |  |  |  |  |  |  |  |  |  |  |  |
| Id               | RW  | Field | Value Id | Value              | Description      |  |  |  |  |  |  |  |  |  |  |  |  |  |  |  |  |  |  |  |  |  |  |  |  |  |  |  |
| A                | RW  | LOW   |          | [-32768 to +32767] | Low level limit  |  |  |  |  |  |  |  |  |  |  |  |  |  |  |  |  |  |  |  |  |  |  |  |  |  |  |  |
| B                | RW  | HIGH  |          | [-32768 to +32767] | High level limit |  |  |  |  |  |  |  |  |  |  |  |  |  |  |  |  |  |  |  |  |  |  |  |  |  |  |  |

### 37.11.26 CH[5].PSELP

Address offset: 0x560

Input positive pin selection for CH[5]

| Bit number       | 31 30 29 28 27 26 25 24 23 22 21 20 19 18 17 16 15 14 13 12 11 10 9 8 7 6 5 4 3 2 1 0 |       |              |       |                               |  |  |  |  |  |  |  |  |  |  |  |  |  |  |  |  |  |  |  |  |  |  |  |  |  |  |  |
|------------------|---|-------|--------------|-------|-------------------------------|--|--|--|--|--|--|--|--|--|--|--|--|--|--|--|--|--|--|--|--|--|--|--|--|--|--|--|
| Id               | A A A A A   |       |              |       |                               |  |  |  |  |  |  |  |  |  |  |  |  |  |  |  |  |  |  |  |  |  |  |  |  |  |  |  |
| Reset 0x00000000 | 0                       |       |              |       |                               |  |  |  |  |  |  |  |  |  |  |  |  |  |  |  |  |  |  |  |  |  |  |  |  |  |  |  |
| Id               | RW  | Field | Value Id     | Value | Description                   |  |  |  |  |  |  |  |  |  |  |  |  |  |  |  |  |  |  |  |  |  |  |  |  |  |  |  |
| A                | RW  | PSELP |              |       | Analog positive input channel |  |  |  |  |  |  |  |  |  |  |  |  |  |  |  |  |  |  |  |  |  |  |  |  |  |  |  |
|                  |   |       | NC           | 0     | Not connected                 |  |  |  |  |  |  |  |  |  |  |  |  |  |  |  |  |  |  |  |  |  |  |  |  |  |  |  |
|                  |   |       | AnalogInput0 | 1     | AIN0                          |  |  |  |  |  |  |  |  |  |  |  |  |  |  |  |  |  |  |  |  |  |  |  |  |  |  |  |
|                  |   |       | AnalogInput1 | 2     | AIN1                          |  |  |  |  |  |  |  |  |  |  |  |  |  |  |  |  |  |  |  |  |  |  |  |  |  |  |  |
|                  |   |       | AnalogInput2 | 3     | AIN2                          |  |  |  |  |  |  |  |  |  |  |  |  |  |  |  |  |  |  |  |  |  |  |  |  |  |  |  |
|                  |   |       | AnalogInput3 | 4     | AIN3                          |  |  |  |  |  |  |  |  |  |  |  |  |  |  |  |  |  |  |  |  |  |  |  |  |  |  |  |
|                  |   |       | AnalogInput4 | 5     | AIN4                          |  |  |  |  |  |  |  |  |  |  |  |  |  |  |  |  |  |  |  |  |  |  |  |  |  |  |  |
|                  |   |       | AnalogInput5 | 6     | AIN5                          |  |  |  |  |  |  |  |  |  |  |  |  |  |  |  |  |  |  |  |  |  |  |  |  |  |  |  |

| Bit number       | 31 | 30    | 29           | 28 | 27    | 26          | 25 | 24 | 23 | 22 | 21 | 20 | 19 | 18 | 17 | 16 | 15 | 14 | 13 | 12 | 11 | 10 | 9 | 8 | 7 | 6 | 5 | 4 | 3 | 2 | 1 | 0 |
|------------------|----|-------|--------------|----|-------|-------------|----|----|----|----|----|----|----|----|----|----|----|----|----|----|----|----|---|---|---|---|---|---|---|---|---|---|
| Id               |    |       |              |    |       |             |    |    |    |    |    |    |    |    |    |    |    |    |    |    |    |    |   |   |   |   |   | A | A | A | A | A |
| Reset 0x00000000 | 0  | 0     | 0            | 0  | 0     | 0           | 0  | 0  | 0  | 0  | 0  | 0  | 0  | 0  | 0  | 0  | 0  | 0  | 0  | 0  | 0  | 0  | 0 | 0 | 0 | 0 | 0 | 0 | 0 | 0 | 0 | 0 |
| Id               | RW | Field | Value        | Id | Value | Description |    |    |    |    |    |    |    |    |    |    |    |    |    |    |    |    |   |   |   |   |   |   |   |   |   |   |
|                  |    |       | AnalogInput6 | 7  | AIN6  |             |    |    |    |    |    |    |    |    |    |    |    |    |    |    |    |    |   |   |   |   |   |   |   |   |   |   |
|                  |    |       | AnalogInput7 | 8  | AIN7  |             |    |    |    |    |    |    |    |    |    |    |    |    |    |    |    |    |   |   |   |   |   |   |   |   |   |   |
|                  |    |       | VDD          | 9  | VDD   |             |    |    |    |    |    |    |    |    |    |    |    |    |    |    |    |    |   |   |   |   |   |   |   |   |   |   |

### 37.11.27 CH[5].PSELN

Address offset: 0x564

Input negative pin selection for CH[5]

| Bit number       | 31 | 30    | 29           | 28 | 27            | 26  | 25 | 24 | 23 | 22 | 21 | 20 | 19 | 18 | 17 | 16 | 15 | 14 | 13 | 12 | 11 | 10 | 9 | 8 | 7 | 6 | 5 | 4 | 3 | 2 | 1 | 0 |
|------------------|----|-------|--------------|----|---------------|---|----|----|----|----|----|----|----|----|----|----|----|----|----|----|----|----|---|---|---|---|---|---|---|---|---|---|
| Id               |    |       |              |    |               |   |    |    |    |    |    |    |    |    |    |    |    |    |    |    |    |    |   |   |   |   |   | A | A | A | A | A |
| Reset 0x00000000 | 0  | 0     | 0            | 0  | 0             | 0   | 0  | 0  | 0  | 0  | 0  | 0  | 0  | 0  | 0  | 0  | 0  | 0  | 0  | 0  | 0  | 0  | 0 | 0 | 0 | 0 | 0 | 0 | 0 | 0 | 0 |   |
| Id               | RW | Field | Value        | Id | Value         | Description   |    |    |    |    |    |    |    |    |    |    |    |    |    |    |    |    |   |   |   |   |   |   |   |   |   |   |
| A                | RW | PSELN |              |    |               | Analog negative input, enables differential channel |    |    |    |    |    |    |    |    |    |    |    |    |    |    |    |    |   |   |   |   |   |   |   |   |   |   |
|                  |    |       | NC           | 0  | Not connected |   |    |    |    |    |    |    |    |    |    |    |    |    |    |    |    |    |   |   |   |   |   |   |   |   |   |   |
|                  |    |       | AnalogInput0 | 1  | AIN0          |   |    |    |    |    |    |    |    |    |    |    |    |    |    |    |    |    |   |   |   |   |   |   |   |   |   |   |
|                  |    |       | AnalogInput1 | 2  | AIN1          |   |    |    |    |    |    |    |    |    |    |    |    |    |    |    |    |    |   |   |   |   |   |   |   |   |   |   |
|                  |    |       | AnalogInput2 | 3  | AIN2          |   |    |    |    |    |    |    |    |    |    |    |    |    |    |    |    |    |   |   |   |   |   |   |   |   |   |   |
|                  |    |       | AnalogInput3 | 4  | AIN3          |   |    |    |    |    |    |    |    |    |    |    |    |    |    |    |    |    |   |   |   |   |   |   |   |   |   |   |
|                  |    |       | AnalogInput4 | 5  | AIN4          |   |    |    |    |    |    |    |    |    |    |    |    |    |    |    |    |    |   |   |   |   |   |   |   |   |   |   |
|                  |    |       | AnalogInput5 | 6  | AIN5          |   |    |    |    |    |    |    |    |    |    |    |    |    |    |    |    |    |   |   |   |   |   |   |   |   |   |   |
|                  |    |       | AnalogInput6 | 7  | AIN6          |   |    |    |    |    |    |    |    |    |    |    |    |    |    |    |    |    |   |   |   |   |   |   |   |   |   |   |
|                  |    |       | AnalogInput7 | 8  | AIN7          |   |    |    |    |    |    |    |    |    |    |    |    |    |    |    |    |    |   |   |   |   |   |   |   |   |   |   |
|                  |    |       | VDD          | 9  | VDD           |   |    |    |    |    |    |    |    |    |    |    |    |    |    |    |    |    |   |   |   |   |   |   |   |   |   |   |

### 37.11.28 CH[5].CONFIG

Address offset: 0x568

Input configuration for CH[5]

| Bit number       | 31 | 30     | 29       | 28 | 27                         | 26                                | 25 | 24 | 23 | 22 | 21 | 20 | 19 | 18 | 17 | 16 | 15 | 14 | 13 | 12 | 11 | 10 | 9 | 8 | 7 | 6 | 5 | 4 | 3 | 2 | 1 | 0 |   |   |   |   |   |   |   |   |
|------------------|----|--------|----------|----|----------------------------|-----------------------------------|----|----|----|----|----|----|----|----|----|----|----|----|----|----|----|----|---|---|---|---|---|---|---|---|---|---|---|---|---|---|---|---|---|---|
| Id               |    |        |          |    |                            |                                   |    |    |    |    |    |    |    |    |    |    |    |    |    |    |    |    |   |   |   |   |   | G | F | E | E | E | D | C | C | C | B | B | A | A |
| Reset 0x00020000 | 0  | 0      | 0        | 0  | 0                          | 0                                 | 0  | 0  | 0  | 0  | 0  | 0  | 0  | 1  | 0  | 0  | 0  | 0  | 0  | 0  | 0  | 0  | 0 | 0 | 0 | 0 | 0 | 0 | 0 | 0 | 0 |   |   |   |   |   |   |   |   |   |
| Id               | RW | Field  | Value    | Id | Value                      | Description                       |    |    |    |    |    |    |    |    |    |    |    |    |    |    |    |    |   |   |   |   |   |   |   |   |   |   |   |   |   |   |   |   |   |   |
| A                | RW | RESP   |          |    |                            | Positive channel resistor control |    |    |    |    |    |    |    |    |    |    |    |    |    |    |    |    |   |   |   |   |   |   |   |   |   |   |   |   |   |   |   |   |   |   |
|                  |    |        | Bypass   | 0  | Bypass resistor ladder     |                                   |    |    |    |    |    |    |    |    |    |    |    |    |    |    |    |    |   |   |   |   |   |   |   |   |   |   |   |   |   |   |   |   |   |   |
|                  |    |        | Pulldown | 1  | Pull-down to GND           |                                   |    |    |    |    |    |    |    |    |    |    |    |    |    |    |    |    |   |   |   |   |   |   |   |   |   |   |   |   |   |   |   |   |   |   |
|                  |    |        | Pullup   | 2  | Pull-up to VDD             |                                   |    |    |    |    |    |    |    |    |    |    |    |    |    |    |    |    |   |   |   |   |   |   |   |   |   |   |   |   |   |   |   |   |   |   |
|                  |    |        | VDD1_2   | 3  | Set input at VDD/2         |                                   |    |    |    |    |    |    |    |    |    |    |    |    |    |    |    |    |   |   |   |   |   |   |   |   |   |   |   |   |   |   |   |   |   |   |
| B                | RW | RESN   |          |    |                            | Negative channel resistor control |    |    |    |    |    |    |    |    |    |    |    |    |    |    |    |    |   |   |   |   |   |   |   |   |   |   |   |   |   |   |   |   |   |   |
|                  |    |        | Bypass   | 0  | Bypass resistor ladder     |                                   |    |    |    |    |    |    |    |    |    |    |    |    |    |    |    |    |   |   |   |   |   |   |   |   |   |   |   |   |   |   |   |   |   |   |
|                  |    |        | Pulldown | 1  | Pull-down to GND           |                                   |    |    |    |    |    |    |    |    |    |    |    |    |    |    |    |    |   |   |   |   |   |   |   |   |   |   |   |   |   |   |   |   |   |   |
|                  |    |        | Pullup   | 2  | Pull-up to VDD             |                                   |    |    |    |    |    |    |    |    |    |    |    |    |    |    |    |    |   |   |   |   |   |   |   |   |   |   |   |   |   |   |   |   |   |   |
|                  |    |        | VDD1_2   | 3  | Set input at VDD/2         |                                   |    |    |    |    |    |    |    |    |    |    |    |    |    |    |    |    |   |   |   |   |   |   |   |   |   |   |   |   |   |   |   |   |   |   |
| C                | RW | GAIN   |          |    |                            | Gain control                      |    |    |    |    |    |    |    |    |    |    |    |    |    |    |    |    |   |   |   |   |   |   |   |   |   |   |   |   |   |   |   |   |   |   |
|                  |    |        | Gain1_6  | 0  | 1/6                        |                                   |    |    |    |    |    |    |    |    |    |    |    |    |    |    |    |    |   |   |   |   |   |   |   |   |   |   |   |   |   |   |   |   |   |   |
|                  |    |        | Gain1_5  | 1  | 1/5                        |                                   |    |    |    |    |    |    |    |    |    |    |    |    |    |    |    |    |   |   |   |   |   |   |   |   |   |   |   |   |   |   |   |   |   |   |
|                  |    |        | Gain1_4  | 2  | 1/4                        |                                   |    |    |    |    |    |    |    |    |    |    |    |    |    |    |    |    |   |   |   |   |   |   |   |   |   |   |   |   |   |   |   |   |   |   |
|                  |    |        | Gain1_3  | 3  | 1/3                        |                                   |    |    |    |    |    |    |    |    |    |    |    |    |    |    |    |    |   |   |   |   |   |   |   |   |   |   |   |   |   |   |   |   |   |   |
|                  |    |        | Gain1_2  | 4  | 1/2                        |                                   |    |    |    |    |    |    |    |    |    |    |    |    |    |    |    |    |   |   |   |   |   |   |   |   |   |   |   |   |   |   |   |   |   |   |
|                  |    |        | Gain1    | 5  | 1                          |                                   |    |    |    |    |    |    |    |    |    |    |    |    |    |    |    |    |   |   |   |   |   |   |   |   |   |   |   |   |   |   |   |   |   |   |
|                  |    |        | Gain2    | 6  | 2                          |                                   |    |    |    |    |    |    |    |    |    |    |    |    |    |    |    |    |   |   |   |   |   |   |   |   |   |   |   |   |   |   |   |   |   |   |
|                  |    |        | Gain4    | 7  | 4                          |                                   |    |    |    |    |    |    |    |    |    |    |    |    |    |    |    |    |   |   |   |   |   |   |   |   |   |   |   |   |   |   |   |   |   |   |
| D                | RW | REFSEL |          |    |                            | Reference control                 |    |    |    |    |    |    |    |    |    |    |    |    |    |    |    |    |   |   |   |   |   |   |   |   |   |   |   |   |   |   |   |   |   |   |
|                  |    |        | Internal | 0  | Internal reference (0.6 V) |                                   |    |    |    |    |    |    |    |    |    |    |    |    |    |    |    |    |   |   |   |   |   |   |   |   |   |   |   |   |   |   |   |   |   |   |

| Bit number       | 31 30 29 28 27 26 25 24 23 22 21 20 19 18 17 16 15 14 13 12 11 10 9 8 7 6 5 4 3 2 1 0 |       |          |       |  |  |  |  |  |  |  |  |  |  |  |  |  |  |  |  |  |  |  |  |  |  |  |  |  |  |  |
|------------------|---|-------|----------|-------|--|--|--|--|--|--|--|--|--|--|--|--|--|--|--|--|--|--|--|--|--|--|--|--|--|--|--|
| Id               | G F E E E D C C C B B A A   |       |          |       |  |  |  |  |  |  |  |  |  |  |  |  |  |  |  |  |  |  |  |  |  |  |  |  |  |  |  |
| Reset 0x00020000 | 0 0 0 0 0 0 0 0 0 0 0 0 0 0 0 1 0 0 0 0 0 0 0 0 0 0 0 0 0 0 0 0 0 0                   |       |          |       |  |  |  |  |  |  |  |  |  |  |  |  |  |  |  |  |  |  |  |  |  |  |  |  |  |  |  |
| Id               | RW  | Field | Value Id | Value | Description  |  |  |  |  |  |  |  |  |  |  |  |  |  |  |  |  |  |  |  |  |  |  |  |  |  |  |
|                  |   |       | VDD1_4   | 1     | VDD/4 as reference   |  |  |  |  |  |  |  |  |  |  |  |  |  |  |  |  |  |  |  |  |  |  |  |  |  |  |
| E                | RW  | TACQ  |          |       | Acquisition time, the time the ADC uses to sample the input voltage  |  |  |  |  |  |  |  |  |  |  |  |  |  |  |  |  |  |  |  |  |  |  |  |  |  |  |
|                  |   |       | 3us      | 0     | 3 us   |  |  |  |  |  |  |  |  |  |  |  |  |  |  |  |  |  |  |  |  |  |  |  |  |  |  |
|                  |   |       | 5us      | 1     | 5 us   |  |  |  |  |  |  |  |  |  |  |  |  |  |  |  |  |  |  |  |  |  |  |  |  |  |  |
|                  |   |       | 10us     | 2     | 10 us  |  |  |  |  |  |  |  |  |  |  |  |  |  |  |  |  |  |  |  |  |  |  |  |  |  |  |
|                  |   |       | 15us     | 3     | 15 us  |  |  |  |  |  |  |  |  |  |  |  |  |  |  |  |  |  |  |  |  |  |  |  |  |  |  |
|                  |   |       | 20us     | 4     | 20 us  |  |  |  |  |  |  |  |  |  |  |  |  |  |  |  |  |  |  |  |  |  |  |  |  |  |  |
|                  |   |       | 40us     | 5     | 40 us  |  |  |  |  |  |  |  |  |  |  |  |  |  |  |  |  |  |  |  |  |  |  |  |  |  |  |
| F                | RW  | MODE  |          |       | Enable differential mode   |  |  |  |  |  |  |  |  |  |  |  |  |  |  |  |  |  |  |  |  |  |  |  |  |  |  |
|                  |   |       | SE       | 0     | Single ended, PSELN will be ignored, negative input to ADC shorted to GND  |  |  |  |  |  |  |  |  |  |  |  |  |  |  |  |  |  |  |  |  |  |  |  |  |  |  |
|                  |   |       | Diff     | 1     | Differential   |  |  |  |  |  |  |  |  |  |  |  |  |  |  |  |  |  |  |  |  |  |  |  |  |  |  |
| G                | RW  | BURST |          |       | Enable burst mode  |  |  |  |  |  |  |  |  |  |  |  |  |  |  |  |  |  |  |  |  |  |  |  |  |  |  |
|                  |   |       | Disabled | 0     | Burst mode is disabled (normal operation)  |  |  |  |  |  |  |  |  |  |  |  |  |  |  |  |  |  |  |  |  |  |  |  |  |  |  |
|                  |   |       | Enabled  | 1     | Burst mode is enabled. SAADC takes 2 <sup>OVERSAMPLE</sup> number of samples as fast as it can, and sends the average to Data RAM. |  |  |  |  |  |  |  |  |  |  |  |  |  |  |  |  |  |  |  |  |  |  |  |  |  |  |

### 37.11.29 CH[5].LIMIT

Address offset: 0x56C

High/low limits for event monitoring a channel

| Bit number       | 31 30 29 28 27 26 25 24 23 22 21 20 19 18 17 16 15 14 13 12 11 10 9 8 7 6 5 4 3 2 1 0 |       |          |                    |                  |  |  |  |  |  |  |  |  |  |  |  |  |  |  |  |  |  |  |  |  |  |  |  |  |  |  |
|------------------|---|-------|----------|--------------------|------------------|--|--|--|--|--|--|--|--|--|--|--|--|--|--|--|--|--|--|--|--|--|--|--|--|--|--|
| Id               | B B B B B B B B B B B B B B B A A A A A A A A A A A A A A A A A                       |       |          |                    |                  |  |  |  |  |  |  |  |  |  |  |  |  |  |  |  |  |  |  |  |  |  |  |  |  |  |  |
| Reset 0x7FFF8000 | 0 1 1 1 1 1 1 1 1 1 1 1 1 1 1 1 0 0 0 0 0 0 0 0 0 0 0 0 0 0 0 0                       |       |          |                    |                  |  |  |  |  |  |  |  |  |  |  |  |  |  |  |  |  |  |  |  |  |  |  |  |  |  |  |
| Id               | RW  | Field | Value Id | Value              | Description      |  |  |  |  |  |  |  |  |  |  |  |  |  |  |  |  |  |  |  |  |  |  |  |  |  |  |
| A                | RW  | LOW   |          | [-32768 to +32767] | Low level limit  |  |  |  |  |  |  |  |  |  |  |  |  |  |  |  |  |  |  |  |  |  |  |  |  |  |  |
| B                | RW  | HIGH  |          | [-32768 to +32767] | High level limit |  |  |  |  |  |  |  |  |  |  |  |  |  |  |  |  |  |  |  |  |  |  |  |  |  |  |

### 37.11.30 CH[6].PSELP

Address offset: 0x570

Input positive pin selection for CH[6]

| Bit number       | 31 30 29 28 27 26 25 24 23 22 21 20 19 18 17 16 15 14 13 12 11 10 9 8 7 6 5 4 3 2 1 0 |       |              |       |                               |  |  |  |  |  |  |  |  |  |  |  |  |  |  |  |  |  |  |  |  |  |  |  |  |  |  |
|------------------|---|-------|--------------|-------|-------------------------------|--|--|--|--|--|--|--|--|--|--|--|--|--|--|--|--|--|--|--|--|--|--|--|--|--|--|
| Id               | A A A A A   |       |              |       |                               |  |  |  |  |  |  |  |  |  |  |  |  |  |  |  |  |  |  |  |  |  |  |  |  |  |  |
| Reset 0x00000000 | 0                       |       |              |       |                               |  |  |  |  |  |  |  |  |  |  |  |  |  |  |  |  |  |  |  |  |  |  |  |  |  |  |
| Id               | RW  | Field | Value Id     | Value | Description                   |  |  |  |  |  |  |  |  |  |  |  |  |  |  |  |  |  |  |  |  |  |  |  |  |  |  |
| A                | RW  | PSELP |              |       | Analog positive input channel |  |  |  |  |  |  |  |  |  |  |  |  |  |  |  |  |  |  |  |  |  |  |  |  |  |  |
|                  |   |       | NC           | 0     | Not connected                 |  |  |  |  |  |  |  |  |  |  |  |  |  |  |  |  |  |  |  |  |  |  |  |  |  |  |
|                  |   |       | AnalogInput0 | 1     | AIN0                          |  |  |  |  |  |  |  |  |  |  |  |  |  |  |  |  |  |  |  |  |  |  |  |  |  |  |
|                  |   |       | AnalogInput1 | 2     | AIN1                          |  |  |  |  |  |  |  |  |  |  |  |  |  |  |  |  |  |  |  |  |  |  |  |  |  |  |
|                  |   |       | AnalogInput2 | 3     | AIN2                          |  |  |  |  |  |  |  |  |  |  |  |  |  |  |  |  |  |  |  |  |  |  |  |  |  |  |
|                  |   |       | AnalogInput3 | 4     | AIN3                          |  |  |  |  |  |  |  |  |  |  |  |  |  |  |  |  |  |  |  |  |  |  |  |  |  |  |
|                  |   |       | AnalogInput4 | 5     | AIN4                          |  |  |  |  |  |  |  |  |  |  |  |  |  |  |  |  |  |  |  |  |  |  |  |  |  |  |
|                  |   |       | AnalogInput5 | 6     | AIN5                          |  |  |  |  |  |  |  |  |  |  |  |  |  |  |  |  |  |  |  |  |  |  |  |  |  |  |
|                  |   |       | AnalogInput6 | 7     | AIN6                          |  |  |  |  |  |  |  |  |  |  |  |  |  |  |  |  |  |  |  |  |  |  |  |  |  |  |
|                  |   |       | AnalogInput7 | 8     | AIN7                          |  |  |  |  |  |  |  |  |  |  |  |  |  |  |  |  |  |  |  |  |  |  |  |  |  |  |
|                  |   |       | VDD          | 9     | VDD                           |  |  |  |  |  |  |  |  |  |  |  |  |  |  |  |  |  |  |  |  |  |  |  |  |  |  |

### 37.11.31 CH[6].PSELN

Address offset: 0x574

Input negative pin selection for CH[6]



| Bit number       | 31 | 30    | 29           | 28 | 27    | 26  | 25 | 24 | 23 | 22 | 21 | 20 | 19 | 18 | 17 | 16 | 15 | 14 | 13 | 12 | 11 | 10 | 9 | 8 | 7 | 6 | 5 | 4 | 3 | 2 | 1 | 0 |
|------------------|----|-------|--------------|----|-------|---|----|----|----|----|----|----|----|----|----|----|----|----|----|----|----|----|---|---|---|---|---|---|---|---|---|---|
| Id               |    |       |              |    |       |   |    |    |    |    |    |    |    |    |    |    |    |    |    |    |    |    |   |   |   |   |   | A | A | A | A | A |
| Reset 0x00000000 | 0  | 0     | 0            | 0  | 0     | 0   | 0  | 0  | 0  | 0  | 0  | 0  | 0  | 0  | 0  | 0  | 0  | 0  | 0  | 0  | 0  | 0  | 0 | 0 | 0 | 0 | 0 | 0 | 0 | 0 | 0 |   |
| Id               | RW | Field | Value        | Id | Value | Description   |    |    |    |    |    |    |    |    |    |    |    |    |    |    |    |    |   |   |   |   |   |   |   |   |   |   |
| A                | RW | PSELN |              |    |       | Analog negative input, enables differential channel |    |    |    |    |    |    |    |    |    |    |    |    |    |    |    |    |   |   |   |   |   |   |   |   |   |   |
|                  |    |       | NC           |    | 0     | Not connected                                       |    |    |    |    |    |    |    |    |    |    |    |    |    |    |    |    |   |   |   |   |   |   |   |   |   |   |
|                  |    |       | AnalogInput0 |    | 1     | AIN0  |    |    |    |    |    |    |    |    |    |    |    |    |    |    |    |    |   |   |   |   |   |   |   |   |   |   |
|                  |    |       | AnalogInput1 |    | 2     | AIN1  |    |    |    |    |    |    |    |    |    |    |    |    |    |    |    |    |   |   |   |   |   |   |   |   |   |   |
|                  |    |       | AnalogInput2 |    | 3     | AIN2  |    |    |    |    |    |    |    |    |    |    |    |    |    |    |    |    |   |   |   |   |   |   |   |   |   |   |
|                  |    |       | AnalogInput3 |    | 4     | AIN3  |    |    |    |    |    |    |    |    |    |    |    |    |    |    |    |    |   |   |   |   |   |   |   |   |   |   |
|                  |    |       | AnalogInput4 |    | 5     | AIN4  |    |    |    |    |    |    |    |    |    |    |    |    |    |    |    |    |   |   |   |   |   |   |   |   |   |   |
|                  |    |       | AnalogInput5 |    | 6     | AIN5  |    |    |    |    |    |    |    |    |    |    |    |    |    |    |    |    |   |   |   |   |   |   |   |   |   |   |
|                  |    |       | AnalogInput6 |    | 7     | AIN6  |    |    |    |    |    |    |    |    |    |    |    |    |    |    |    |    |   |   |   |   |   |   |   |   |   |   |
|                  |    |       | AnalogInput7 |    | 8     | AIN7  |    |    |    |    |    |    |    |    |    |    |    |    |    |    |    |    |   |   |   |   |   |   |   |   |   |   |
|                  |    |       | VDD          |    | 9     | VDD   |    |    |    |    |    |    |    |    |    |    |    |    |    |    |    |    |   |   |   |   |   |   |   |   |   |   |

### 37.11.32 CH[6].CONFIG

Address offset: 0x578

Input configuration for CH[6]

| Bit number       | 31 | 30     | 29       | 28 | 27    | 26  | 25 | 24 | 23 | 22 | 21 | 20 | 19 | 18 | 17 | 16 | 15 | 14 | 13 | 12 | 11 | 10 | 9 | 8 | 7 | 6 | 5 | 4 | 3 | 2 | 1 | 0 |
|------------------|----|--------|----------|----|-------|---|----|----|----|----|----|----|----|----|----|----|----|----|----|----|----|----|---|---|---|---|---|---|---|---|---|---|
| Id               |    |        |          |    |       |   |    |    |    |    | G  | F  |    |    | E  | E  | E  | D  |    |    | C  | C  | C | B |   | B | A |   | A |   |   |   |
| Reset 0x00020000 | 0  | 0      | 0        | 0  | 0     | 0   | 0  | 0  | 0  | 0  | 0  | 0  | 0  | 0  | 0  | 1  | 0  | 0  | 0  | 0  | 0  | 0  | 0 | 0 | 0 | 0 | 0 | 0 | 0 | 0 | 0 | 0 |
| Id               | RW | Field  | Value    | Id | Value | Description   |    |    |    |    |    |    |    |    |    |    |    |    |    |    |    |    |   |   |   |   |   |   |   |   |   |   |
| A                | RW | RESP   |          |    |       | Positive channel resistor control   |    |    |    |    |    |    |    |    |    |    |    |    |    |    |    |    |   |   |   |   |   |   |   |   |   |   |
|                  |    |        | Bypass   |    | 0     | Bypass resistor ladder  |    |    |    |    |    |    |    |    |    |    |    |    |    |    |    |    |   |   |   |   |   |   |   |   |   |   |
|                  |    |        | Pulldown |    | 1     | Pull-down to GND  |    |    |    |    |    |    |    |    |    |    |    |    |    |    |    |    |   |   |   |   |   |   |   |   |   |   |
|                  |    |        | Pullup   |    | 2     | Pull-up to VDD  |    |    |    |    |    |    |    |    |    |    |    |    |    |    |    |    |   |   |   |   |   |   |   |   |   |   |
|                  |    |        | VDD1_2   |    | 3     | Set input at VDD/2  |    |    |    |    |    |    |    |    |    |    |    |    |    |    |    |    |   |   |   |   |   |   |   |   |   |   |
| B                | RW | RESN   |          |    |       | Negative channel resistor control   |    |    |    |    |    |    |    |    |    |    |    |    |    |    |    |    |   |   |   |   |   |   |   |   |   |   |
|                  |    |        | Bypass   |    | 0     | Bypass resistor ladder  |    |    |    |    |    |    |    |    |    |    |    |    |    |    |    |    |   |   |   |   |   |   |   |   |   |   |
|                  |    |        | Pulldown |    | 1     | Pull-down to GND  |    |    |    |    |    |    |    |    |    |    |    |    |    |    |    |    |   |   |   |   |   |   |   |   |   |   |
|                  |    |        | Pullup   |    | 2     | Pull-up to VDD  |    |    |    |    |    |    |    |    |    |    |    |    |    |    |    |    |   |   |   |   |   |   |   |   |   |   |
|                  |    |        | VDD1_2   |    | 3     | Set input at VDD/2  |    |    |    |    |    |    |    |    |    |    |    |    |    |    |    |    |   |   |   |   |   |   |   |   |   |   |
| C                | RW | GAIN   |          |    |       | Gain control  |    |    |    |    |    |    |    |    |    |    |    |    |    |    |    |    |   |   |   |   |   |   |   |   |   |   |
|                  |    |        | Gain1_6  |    | 0     | 1/6   |    |    |    |    |    |    |    |    |    |    |    |    |    |    |    |    |   |   |   |   |   |   |   |   |   |   |
|                  |    |        | Gain1_5  |    | 1     | 1/5   |    |    |    |    |    |    |    |    |    |    |    |    |    |    |    |    |   |   |   |   |   |   |   |   |   |   |
|                  |    |        | Gain1_4  |    | 2     | 1/4   |    |    |    |    |    |    |    |    |    |    |    |    |    |    |    |    |   |   |   |   |   |   |   |   |   |   |
|                  |    |        | Gain1_3  |    | 3     | 1/3   |    |    |    |    |    |    |    |    |    |    |    |    |    |    |    |    |   |   |   |   |   |   |   |   |   |   |
|                  |    |        | Gain1_2  |    | 4     | 1/2   |    |    |    |    |    |    |    |    |    |    |    |    |    |    |    |    |   |   |   |   |   |   |   |   |   |   |
|                  |    |        | Gain1    |    | 5     | 1   |    |    |    |    |    |    |    |    |    |    |    |    |    |    |    |    |   |   |   |   |   |   |   |   |   |   |
|                  |    |        | Gain2    |    | 6     | 2   |    |    |    |    |    |    |    |    |    |    |    |    |    |    |    |    |   |   |   |   |   |   |   |   |   |   |
|                  |    |        | Gain4    |    | 7     | 4   |    |    |    |    |    |    |    |    |    |    |    |    |    |    |    |    |   |   |   |   |   |   |   |   |   |   |
| D                | RW | REFSEL |          |    |       | Reference control   |    |    |    |    |    |    |    |    |    |    |    |    |    |    |    |    |   |   |   |   |   |   |   |   |   |   |
|                  |    |        | Internal |    | 0     | Internal reference (0.6 V)  |    |    |    |    |    |    |    |    |    |    |    |    |    |    |    |    |   |   |   |   |   |   |   |   |   |   |
|                  |    |        | VDD1_4   |    | 1     | VDD/4 as reference  |    |    |    |    |    |    |    |    |    |    |    |    |    |    |    |    |   |   |   |   |   |   |   |   |   |   |
| E                | RW | TACQ   |          |    |       | Acquisition time, the time the ADC uses to sample the input voltage       |    |    |    |    |    |    |    |    |    |    |    |    |    |    |    |    |   |   |   |   |   |   |   |   |   |   |
|                  |    |        | 3us      |    | 0     | 3 us  |    |    |    |    |    |    |    |    |    |    |    |    |    |    |    |    |   |   |   |   |   |   |   |   |   |   |
|                  |    |        | 5us      |    | 1     | 5 us  |    |    |    |    |    |    |    |    |    |    |    |    |    |    |    |    |   |   |   |   |   |   |   |   |   |   |
|                  |    |        | 10us     |    | 2     | 10 us   |    |    |    |    |    |    |    |    |    |    |    |    |    |    |    |    |   |   |   |   |   |   |   |   |   |   |
|                  |    |        | 15us     |    | 3     | 15 us   |    |    |    |    |    |    |    |    |    |    |    |    |    |    |    |    |   |   |   |   |   |   |   |   |   |   |
|                  |    |        | 20us     |    | 4     | 20 us   |    |    |    |    |    |    |    |    |    |    |    |    |    |    |    |    |   |   |   |   |   |   |   |   |   |   |
|                  |    |        | 40us     |    | 5     | 40 us   |    |    |    |    |    |    |    |    |    |    |    |    |    |    |    |    |   |   |   |   |   |   |   |   |   |   |
| F                | RW | MODE   |          |    |       | Enable differential mode  |    |    |    |    |    |    |    |    |    |    |    |    |    |    |    |    |   |   |   |   |   |   |   |   |   |   |
|                  |    |        | SE       |    | 0     | Single ended, PSELN will be ignored, negative input to ADC shorted to GND |    |    |    |    |    |    |    |    |    |    |    |    |    |    |    |    |   |   |   |   |   |   |   |   |   |   |
|                  |    |        | Diff     |    | 1     | Differential  |    |    |    |    |    |    |    |    |    |    |    |    |    |    |    |    |   |   |   |   |   |   |   |   |   |   |

| Bit number       | 31 | 30    | 29       | 28    | 27   | 26 | 25 | 24 | 23 | 22 | 21 | 20 | 19 | 18 | 17 | 16 | 15 | 14 | 13 | 12 | 11 | 10 | 9 | 8 | 7 | 6 | 5 | 4 | 3 | 2 | 1 | 0 |
|------------------|----|-------|----------|-------|--|----|----|----|----|----|----|----|----|----|----|----|----|----|----|----|----|----|---|---|---|---|---|---|---|---|---|---|
| Id               |    |       |          |       |  |    |    |    | G  |    | F  |    | E  | E  | E  |    |    |    |    | D  |    | C  | C | C |   |   | B | B |   |   | A | A |
| Reset 0x00020000 | 0  | 0     | 0        | 0     | 0  | 0  | 0  | 0  | 0  | 0  | 0  | 0  | 0  | 0  | 1  | 0  | 0  | 0  | 0  | 0  | 0  | 0  | 0 | 0 | 0 | 0 | 0 | 0 | 0 | 0 | 0 | 0 |
| Id               | RW | Field | Value Id | Value | Description  |    |    |    |    |    |    |    |    |    |    |    |    |    |    |    |    |    |   |   |   |   |   |   |   |   |   |   |
| G                | RW | BURST |          |       | Enable burst mode  |    |    |    |    |    |    |    |    |    |    |    |    |    |    |    |    |    |   |   |   |   |   |   |   |   |   |   |
|                  |    |       | Disabled | 0     | Burst mode is disabled (normal operation)  |    |    |    |    |    |    |    |    |    |    |    |    |    |    |    |    |    |   |   |   |   |   |   |   |   |   |   |
|                  |    |       | Enabled  | 1     | Burst mode is enabled. SAADC takes 2 <sup>OVERSAMPLE</sup> number of samples as fast as it can, and sends the average to Data RAM. |    |    |    |    |    |    |    |    |    |    |    |    |    |    |    |    |    |   |   |   |   |   |   |   |   |   |   |

### 37.11.33 CH[6].LIMIT

Address offset: 0x57C

High/low limits for event monitoring a channel

| Bit number       | 31 | 30    | 29       | 28                 | 27               | 26 | 25 | 24 | 23 | 22 | 21 | 20 | 19 | 18 | 17 | 16 | 15 | 14 | 13 | 12 | 11 | 10 | 9 | 8 | 7 | 6 | 5 | 4 | 3 | 2 | 1 | 0 |
|------------------|----|-------|----------|--------------------|------------------|----|----|----|----|----|----|----|----|----|----|----|----|----|----|----|----|----|---|---|---|---|---|---|---|---|---|---|
| Id               | B  | B     | B        | B                  | B                | B  | B  | B  | B  | B  | B  | B  | B  | B  | B  | B  | A  | A  | A  | A  | A  | A  | A | A | A | A | A | A | A | A | A | A |
| Reset 0x7FFF8000 | 0  | 1     | 1        | 1                  | 1                | 1  | 1  | 1  | 1  | 1  | 1  | 1  | 1  | 1  | 1  | 1  | 0  | 0  | 0  | 0  | 0  | 0  | 0 | 0 | 0 | 0 | 0 | 0 | 0 | 0 | 0 |   |
| Id               | RW | Field | Value Id | Value              | Description      |    |    |    |    |    |    |    |    |    |    |    |    |    |    |    |    |    |   |   |   |   |   |   |   |   |   |   |
| A                | RW | LOW   |          | [-32768 to +32767] | Low level limit  |    |    |    |    |    |    |    |    |    |    |    |    |    |    |    |    |    |   |   |   |   |   |   |   |   |   |   |
| B                | RW | HIGH  |          | [-32768 to +32767] | High level limit |    |    |    |    |    |    |    |    |    |    |    |    |    |    |    |    |    |   |   |   |   |   |   |   |   |   |   |

### 37.11.34 CH[7].PSELP

Address offset: 0x580

Input positive pin selection for CH[7]

| Bit number       | 31 | 30    | 29           | 28    | 27                            | 26 | 25 | 24 | 23 | 22 | 21 | 20 | 19 | 18 | 17 | 16 | 15 | 14 | 13 | 12 | 11 | 10 | 9 | 8 | 7 | 6 | 5 | 4 | 3 | 2 | 1 | 0 |   |   |   |
|------------------|----|-------|--------------|-------|-------------------------------|----|----|----|----|----|----|----|----|----|----|----|----|----|----|----|----|----|---|---|---|---|---|---|---|---|---|---|---|---|---|
| Id               |    |       |              |       |                               |    |    |    |    |    |    |    |    |    |    |    |    |    |    |    |    |    |   |   |   |   |   |   |   |   | A | A | A | A | A |
| Reset 0x00000000 | 0  | 0     | 0            | 0     | 0                             | 0  | 0  | 0  | 0  | 0  | 0  | 0  | 0  | 0  | 0  | 0  | 0  | 0  | 0  | 0  | 0  | 0  | 0 | 0 | 0 | 0 | 0 | 0 | 0 | 0 | 0 | 0 | 0 |   |   |
| Id               | RW | Field | Value Id     | Value | Description                   |    |    |    |    |    |    |    |    |    |    |    |    |    |    |    |    |    |   |   |   |   |   |   |   |   |   |   |   |   |   |
| A                | RW | PSELP |              |       | Analog positive input channel |    |    |    |    |    |    |    |    |    |    |    |    |    |    |    |    |    |   |   |   |   |   |   |   |   |   |   |   |   |   |
|                  |    |       | NC           | 0     | Not connected                 |    |    |    |    |    |    |    |    |    |    |    |    |    |    |    |    |    |   |   |   |   |   |   |   |   |   |   |   |   |   |
|                  |    |       | AnalogInput0 | 1     | AIN0                          |    |    |    |    |    |    |    |    |    |    |    |    |    |    |    |    |    |   |   |   |   |   |   |   |   |   |   |   |   |   |
|                  |    |       | AnalogInput1 | 2     | AIN1                          |    |    |    |    |    |    |    |    |    |    |    |    |    |    |    |    |    |   |   |   |   |   |   |   |   |   |   |   |   |   |
|                  |    |       | AnalogInput2 | 3     | AIN2                          |    |    |    |    |    |    |    |    |    |    |    |    |    |    |    |    |    |   |   |   |   |   |   |   |   |   |   |   |   |   |
|                  |    |       | AnalogInput3 | 4     | AIN3                          |    |    |    |    |    |    |    |    |    |    |    |    |    |    |    |    |    |   |   |   |   |   |   |   |   |   |   |   |   |   |
|                  |    |       | AnalogInput4 | 5     | AIN4                          |    |    |    |    |    |    |    |    |    |    |    |    |    |    |    |    |    |   |   |   |   |   |   |   |   |   |   |   |   |   |
|                  |    |       | AnalogInput5 | 6     | AIN5                          |    |    |    |    |    |    |    |    |    |    |    |    |    |    |    |    |    |   |   |   |   |   |   |   |   |   |   |   |   |   |
|                  |    |       | AnalogInput6 | 7     | AIN6                          |    |    |    |    |    |    |    |    |    |    |    |    |    |    |    |    |    |   |   |   |   |   |   |   |   |   |   |   |   |   |
|                  |    |       | AnalogInput7 | 8     | AIN7                          |    |    |    |    |    |    |    |    |    |    |    |    |    |    |    |    |    |   |   |   |   |   |   |   |   |   |   |   |   |   |
|                  |    |       | VDD          | 9     | VDD                           |    |    |    |    |    |    |    |    |    |    |    |    |    |    |    |    |    |   |   |   |   |   |   |   |   |   |   |   |   |   |

### 37.11.35 CH[7].PSELN

Address offset: 0x584

Input negative pin selection for CH[7]

| Bit number       | 31 | 30    | 29           | 28    | 27  | 26 | 25 | 24 | 23 | 22 | 21 | 20 | 19 | 18 | 17 | 16 | 15 | 14 | 13 | 12 | 11 | 10 | 9 | 8 | 7 | 6 | 5 | 4 | 3 | 2 | 1 | 0 |   |   |   |
|------------------|----|-------|--------------|-------|---|----|----|----|----|----|----|----|----|----|----|----|----|----|----|----|----|----|---|---|---|---|---|---|---|---|---|---|---|---|---|
| Id               |    |       |              |       |   |    |    |    |    |    |    |    |    |    |    |    |    |    |    |    |    |    |   |   |   |   |   |   |   |   | A | A | A | A | A |
| Reset 0x00000000 | 0  | 0     | 0            | 0     | 0   | 0  | 0  | 0  | 0  | 0  | 0  | 0  | 0  | 0  | 0  | 0  | 0  | 0  | 0  | 0  | 0  | 0  | 0 | 0 | 0 | 0 | 0 | 0 | 0 | 0 | 0 | 0 | 0 |   |   |
| Id               | RW | Field | Value Id     | Value | Description   |    |    |    |    |    |    |    |    |    |    |    |    |    |    |    |    |    |   |   |   |   |   |   |   |   |   |   |   |   |   |
| A                | RW | PSELN |              |       | Analog negative input, enables differential channel |    |    |    |    |    |    |    |    |    |    |    |    |    |    |    |    |    |   |   |   |   |   |   |   |   |   |   |   |   |   |
|                  |    |       | NC           | 0     | Not connected                                       |    |    |    |    |    |    |    |    |    |    |    |    |    |    |    |    |    |   |   |   |   |   |   |   |   |   |   |   |   |   |
|                  |    |       | AnalogInput0 | 1     | AIN0  |    |    |    |    |    |    |    |    |    |    |    |    |    |    |    |    |    |   |   |   |   |   |   |   |   |   |   |   |   |   |
|                  |    |       | AnalogInput1 | 2     | AIN1  |    |    |    |    |    |    |    |    |    |    |    |    |    |    |    |    |    |   |   |   |   |   |   |   |   |   |   |   |   |   |
|                  |    |       | AnalogInput2 | 3     | AIN2  |    |    |    |    |    |    |    |    |    |    |    |    |    |    |    |    |    |   |   |   |   |   |   |   |   |   |   |   |   |   |
|                  |    |       | AnalogInput3 | 4     | AIN3  |    |    |    |    |    |    |    |    |    |    |    |    |    |    |    |    |    |   |   |   |   |   |   |   |   |   |   |   |   |   |
|                  |    |       | AnalogInput4 | 5     | AIN4  |    |    |    |    |    |    |    |    |    |    |    |    |    |    |    |    |    |   |   |   |   |   |   |   |   |   |   |   |   |   |
|                  |    |       | AnalogInput5 | 6     | AIN5  |    |    |    |    |    |    |    |    |    |    |    |    |    |    |    |    |    |   |   |   |   |   |   |   |   |   |   |   |   |   |

| Bit number       | 31 | 30    | 29           | 28    | 27          | 26 | 25 | 24 | 23 | 22 | 21 | 20 | 19 | 18 | 17 | 16 | 15 | 14 | 13 | 12 | 11 | 10 | 9 | 8 | 7 | 6 | 5 | 4 | 3 | 2 | 1 | 0 |
|------------------|----|-------|--------------|-------|-------------|----|----|----|----|----|----|----|----|----|----|----|----|----|----|----|----|----|---|---|---|---|---|---|---|---|---|---|
| Id               |    |       |              |       |             |    |    |    |    |    |    |    |    |    |    |    |    |    |    |    |    |    |   |   |   |   |   | A | A | A | A |   |
| Reset 0x00000000 | 0  | 0     | 0            | 0     | 0           | 0  | 0  | 0  | 0  | 0  | 0  | 0  | 0  | 0  | 0  | 0  | 0  | 0  | 0  | 0  | 0  | 0  | 0 | 0 | 0 | 0 | 0 | 0 | 0 | 0 | 0 | 0 |
| Id               | RW | Field | Value Id     | Value | Description |    |    |    |    |    |    |    |    |    |    |    |    |    |    |    |    |    |   |   |   |   |   |   |   |   |   |   |
|                  |    |       | AnalogInput6 | 7     | AIN6        |    |    |    |    |    |    |    |    |    |    |    |    |    |    |    |    |    |   |   |   |   |   |   |   |   |   |   |
|                  |    |       | AnalogInput7 | 8     | AIN7        |    |    |    |    |    |    |    |    |    |    |    |    |    |    |    |    |    |   |   |   |   |   |   |   |   |   |   |
|                  |    |       | VDD          | 9     | VDD         |    |    |    |    |    |    |    |    |    |    |    |    |    |    |    |    |    |   |   |   |   |   |   |   |   |   |   |

### 37.11.36 CH[7].CONFIG

Address offset: 0x588

Input configuration for CH[7]

| Bit number       | 31 | 30     | 29  | 28    | 27  | 26 | 25 | 24 | 23 | 22 | 21 | 20 | 19 | 18 | 17 | 16 | 15 | 14 | 13 | 12 | 11 | 10 | 9 | 8 | 7 | 6 | 5 | 4 | 3 | 2 | 1 | 0 |   |   |   |   |   |   |   |   |
|------------------|----|--------|---|-------|---|----|----|----|----|----|----|----|----|----|----|----|----|----|----|----|----|----|---|---|---|---|---|---|---|---|---|---|---|---|---|---|---|---|---|---|
| Id               |    |        |   |       |   |    |    |    |    |    |    |    |    |    |    |    |    |    |    |    |    |    |   |   |   |   |   | G | F | E | E | E | D | C | C | C | B | B | A | A |
| Reset 0x00020000 | 0  | 0      | 0   | 0     | 0   | 0  | 0  | 0  | 0  | 0  | 0  | 0  | 0  | 1  | 0  | 0  | 0  | 0  | 0  | 0  | 0  | 0  | 0 | 0 | 0 | 0 | 0 | 0 | 0 | 0 | 0 | 0 |   |   |   |   |   |   |   |   |
| Id               | RW | Field  | Value Id  | Value | Description   |    |    |    |    |    |    |    |    |    |    |    |    |    |    |    |    |    |   |   |   |   |   |   |   |   |   |   |   |   |   |   |   |   |   |   |
| A                | RW | RESP   | Positive channel resistor control                                   |       |   |    |    |    |    |    |    |    |    |    |    |    |    |    |    |    |    |    |   |   |   |   |   |   |   |   |   |   |   |   |   |   |   |   |   |   |
|                  |    |        | Bypass  | 0     | Bypass resistor ladder  |    |    |    |    |    |    |    |    |    |    |    |    |    |    |    |    |    |   |   |   |   |   |   |   |   |   |   |   |   |   |   |   |   |   |   |
|                  |    |        | Pulldown  | 1     | Pull-down to GND  |    |    |    |    |    |    |    |    |    |    |    |    |    |    |    |    |    |   |   |   |   |   |   |   |   |   |   |   |   |   |   |   |   |   |   |
|                  |    |        | Pullup  | 2     | Pull-up to VDD  |    |    |    |    |    |    |    |    |    |    |    |    |    |    |    |    |    |   |   |   |   |   |   |   |   |   |   |   |   |   |   |   |   |   |   |
|                  |    |        | VDD1_2  | 3     | Set input at VDD/2  |    |    |    |    |    |    |    |    |    |    |    |    |    |    |    |    |    |   |   |   |   |   |   |   |   |   |   |   |   |   |   |   |   |   |   |
| B                | RW | RESN   | Negative channel resistor control                                   |       |   |    |    |    |    |    |    |    |    |    |    |    |    |    |    |    |    |    |   |   |   |   |   |   |   |   |   |   |   |   |   |   |   |   |   |   |
|                  |    |        | Bypass  | 0     | Bypass resistor ladder  |    |    |    |    |    |    |    |    |    |    |    |    |    |    |    |    |    |   |   |   |   |   |   |   |   |   |   |   |   |   |   |   |   |   |   |
|                  |    |        | Pulldown  | 1     | Pull-down to GND  |    |    |    |    |    |    |    |    |    |    |    |    |    |    |    |    |    |   |   |   |   |   |   |   |   |   |   |   |   |   |   |   |   |   |   |
|                  |    |        | Pullup  | 2     | Pull-up to VDD  |    |    |    |    |    |    |    |    |    |    |    |    |    |    |    |    |    |   |   |   |   |   |   |   |   |   |   |   |   |   |   |   |   |   |   |
|                  |    |        | VDD1_2  | 3     | Set input at VDD/2  |    |    |    |    |    |    |    |    |    |    |    |    |    |    |    |    |    |   |   |   |   |   |   |   |   |   |   |   |   |   |   |   |   |   |   |
| C                | RW | GAIN   | Gain control  |       |   |    |    |    |    |    |    |    |    |    |    |    |    |    |    |    |    |    |   |   |   |   |   |   |   |   |   |   |   |   |   |   |   |   |   |   |
|                  |    |        | Gain1_6   | 0     | 1/6   |    |    |    |    |    |    |    |    |    |    |    |    |    |    |    |    |    |   |   |   |   |   |   |   |   |   |   |   |   |   |   |   |   |   |   |
|                  |    |        | Gain1_5   | 1     | 1/5   |    |    |    |    |    |    |    |    |    |    |    |    |    |    |    |    |    |   |   |   |   |   |   |   |   |   |   |   |   |   |   |   |   |   |   |
|                  |    |        | Gain1_4   | 2     | 1/4   |    |    |    |    |    |    |    |    |    |    |    |    |    |    |    |    |    |   |   |   |   |   |   |   |   |   |   |   |   |   |   |   |   |   |   |
|                  |    |        | Gain1_3   | 3     | 1/3   |    |    |    |    |    |    |    |    |    |    |    |    |    |    |    |    |    |   |   |   |   |   |   |   |   |   |   |   |   |   |   |   |   |   |   |
|                  |    |        | Gain1_2   | 4     | 1/2   |    |    |    |    |    |    |    |    |    |    |    |    |    |    |    |    |    |   |   |   |   |   |   |   |   |   |   |   |   |   |   |   |   |   |   |
|                  |    |        | Gain1   | 5     | 1   |    |    |    |    |    |    |    |    |    |    |    |    |    |    |    |    |    |   |   |   |   |   |   |   |   |   |   |   |   |   |   |   |   |   |   |
|                  |    |        | Gain2   | 6     | 2   |    |    |    |    |    |    |    |    |    |    |    |    |    |    |    |    |    |   |   |   |   |   |   |   |   |   |   |   |   |   |   |   |   |   |   |
|                  |    |        | Gain4   | 7     | 4   |    |    |    |    |    |    |    |    |    |    |    |    |    |    |    |    |    |   |   |   |   |   |   |   |   |   |   |   |   |   |   |   |   |   |   |
| D                | RW | REFSEL | Reference control   |       |   |    |    |    |    |    |    |    |    |    |    |    |    |    |    |    |    |    |   |   |   |   |   |   |   |   |   |   |   |   |   |   |   |   |   |   |
|                  |    |        | Internal  | 0     | Internal reference (0.6 V)  |    |    |    |    |    |    |    |    |    |    |    |    |    |    |    |    |    |   |   |   |   |   |   |   |   |   |   |   |   |   |   |   |   |   |   |
|                  |    |        | VDD1_4  | 1     | VDD/4 as reference  |    |    |    |    |    |    |    |    |    |    |    |    |    |    |    |    |    |   |   |   |   |   |   |   |   |   |   |   |   |   |   |   |   |   |   |
| E                | RW | TACQ   | Acquisition time, the time the ADC uses to sample the input voltage |       |   |    |    |    |    |    |    |    |    |    |    |    |    |    |    |    |    |    |   |   |   |   |   |   |   |   |   |   |   |   |   |   |   |   |   |   |
|                  |    |        | 3us   | 0     | 3 us  |    |    |    |    |    |    |    |    |    |    |    |    |    |    |    |    |    |   |   |   |   |   |   |   |   |   |   |   |   |   |   |   |   |   |   |
|                  |    |        | 5us   | 1     | 5 us  |    |    |    |    |    |    |    |    |    |    |    |    |    |    |    |    |    |   |   |   |   |   |   |   |   |   |   |   |   |   |   |   |   |   |   |
|                  |    |        | 10us  | 2     | 10 us   |    |    |    |    |    |    |    |    |    |    |    |    |    |    |    |    |    |   |   |   |   |   |   |   |   |   |   |   |   |   |   |   |   |   |   |
|                  |    |        | 15us  | 3     | 15 us   |    |    |    |    |    |    |    |    |    |    |    |    |    |    |    |    |    |   |   |   |   |   |   |   |   |   |   |   |   |   |   |   |   |   |   |
|                  |    |        | 20us  | 4     | 20 us   |    |    |    |    |    |    |    |    |    |    |    |    |    |    |    |    |    |   |   |   |   |   |   |   |   |   |   |   |   |   |   |   |   |   |   |
|                  |    |        | 40us  | 5     | 40 us   |    |    |    |    |    |    |    |    |    |    |    |    |    |    |    |    |    |   |   |   |   |   |   |   |   |   |   |   |   |   |   |   |   |   |   |
| F                | RW | MODE   | Enable differential mode  |       |   |    |    |    |    |    |    |    |    |    |    |    |    |    |    |    |    |    |   |   |   |   |   |   |   |   |   |   |   |   |   |   |   |   |   |   |
|                  |    |        | SE  | 0     | Single ended, PSELN will be ignored, negative input to ADC shorted to GND   |    |    |    |    |    |    |    |    |    |    |    |    |    |    |    |    |    |   |   |   |   |   |   |   |   |   |   |   |   |   |   |   |   |   |   |
|                  |    |        | Diff  | 1     | Differential  |    |    |    |    |    |    |    |    |    |    |    |    |    |    |    |    |    |   |   |   |   |   |   |   |   |   |   |   |   |   |   |   |   |   |   |
| G                | RW | BURST  | Enable burst mode   |       |   |    |    |    |    |    |    |    |    |    |    |    |    |    |    |    |    |    |   |   |   |   |   |   |   |   |   |   |   |   |   |   |   |   |   |   |
|                  |    |        | Disabled  | 0     | Burst mode is disabled (normal operation)   |    |    |    |    |    |    |    |    |    |    |    |    |    |    |    |    |    |   |   |   |   |   |   |   |   |   |   |   |   |   |   |   |   |   |   |
|                  |    |        | Enabled   | 1     | Burst mode is enabled. SAADC takes 2*OVERSAMPLE number of samples as fast as it can, and sends the average to Data RAM. |    |    |    |    |    |    |    |    |    |    |    |    |    |    |    |    |    |   |   |   |   |   |   |   |   |   |   |   |   |   |   |   |   |   |   |

### 37.11.37 CH[7].LIMIT

Address offset: 0x58C

### High/low limits for event monitoring a channel

| Bit number       | 31 | 30    | 29       | 28                 | 27               | 26 | 25 | 24 | 23 | 22 | 21 | 20 | 19 | 18 | 17 | 16 | 15 | 14 | 13 | 12 | 11 | 10 | 9 | 8 | 7 | 6 | 5 | 4 | 3 | 2 | 1 | 0 |
|------------------|----|-------|----------|--------------------|------------------|----|----|----|----|----|----|----|----|----|----|----|----|----|----|----|----|----|---|---|---|---|---|---|---|---|---|---|
| Id               | B  | B     | B        | B                  | B                | B  | B  | B  | B  | B  | B  | B  | B  | B  | B  | B  | A  | A  | A  | A  | A  | A  | A | A | A | A | A | A | A | A | A | A |
| Reset 0x7FFF8000 | 0  | 1     | 1        | 1                  | 1                | 1  | 1  | 1  | 1  | 1  | 1  | 1  | 1  | 1  | 1  | 1  | 0  | 0  | 0  | 0  | 0  | 0  | 0 | 0 | 0 | 0 | 0 | 0 | 0 | 0 | 0 |   |
| Id               | RW | Field | Value Id | Value              | Description      |    |    |    |    |    |    |    |    |    |    |    |    |    |    |    |    |    |   |   |   |   |   |   |   |   |   |   |
| A                | RW | LOW   |          | [-32768 to +32767] | Low level limit  |    |    |    |    |    |    |    |    |    |    |    |    |    |    |    |    |    |   |   |   |   |   |   |   |   |   |   |
| B                | RW | HIGH  |          | [-32768 to +32767] | High level limit |    |    |    |    |    |    |    |    |    |    |    |    |    |    |    |    |    |   |   |   |   |   |   |   |   |   |   |

### 37.11.38 RESOLUTION

Address offset: 0x5F0

#### Resolution configuration

| Bit number       | 31 | 30    | 29       | 28    | 27                 | 26 | 25 | 24 | 23 | 22 | 21 | 20 | 19 | 18 | 17 | 16 | 15 | 14 | 13 | 12 | 11 | 10 | 9 | 8 | 7 | 6 | 5 | 4 | 3 | 2 | 1 | 0 |   |
|------------------|----|-------|----------|-------|--------------------|----|----|----|----|----|----|----|----|----|----|----|----|----|----|----|----|----|---|---|---|---|---|---|---|---|---|---|---|
| Id               |    |       |          |       |                    |    |    |    |    |    |    |    |    |    |    |    |    |    |    |    |    |    |   |   |   |   |   |   |   |   | A | A | A |
| Reset 0x00000001 | 0  | 0     | 0        | 0     | 0                  | 0  | 0  | 0  | 0  | 0  | 0  | 0  | 0  | 0  | 0  | 0  | 0  | 0  | 0  | 0  | 0  | 0  | 0 | 0 | 0 | 0 | 0 | 0 | 0 | 0 | 0 | 1 |   |
| Id               | RW | Field | Value Id | Value | Description        |    |    |    |    |    |    |    |    |    |    |    |    |    |    |    |    |    |   |   |   |   |   |   |   |   |   |   |   |
| A                | RW | VAL   |          |       | Set the resolution |    |    |    |    |    |    |    |    |    |    |    |    |    |    |    |    |    |   |   |   |   |   |   |   |   |   |   |   |
|                  |    |       | 8bit     | 0     | 8 bit              |    |    |    |    |    |    |    |    |    |    |    |    |    |    |    |    |    |   |   |   |   |   |   |   |   |   |   |   |
|                  |    |       | 10bit    | 1     | 10 bit             |    |    |    |    |    |    |    |    |    |    |    |    |    |    |    |    |    |   |   |   |   |   |   |   |   |   |   |   |
|                  |    |       | 12bit    | 2     | 12 bit             |    |    |    |    |    |    |    |    |    |    |    |    |    |    |    |    |    |   |   |   |   |   |   |   |   |   |   |   |
|                  |    |       | 14bit    | 3     | 14 bit             |    |    |    |    |    |    |    |    |    |    |    |    |    |    |    |    |    |   |   |   |   |   |   |   |   |   |   |   |

### 37.11.39 OVERSAMPLE

Address offset: 0x5F4

Oversampling configuration. OVERSAMPLE should not be combined with SCAN. The RESOLUTION is applied before averaging, thus for high OVERSAMPLE a higher RESOLUTION should be used.

| Bit number       | 31 | 30         | 29       | 28    | 27                  | 26 | 25 | 24 | 23 | 22 | 21 | 20 | 19 | 18 | 17 | 16 | 15 | 14 | 13 | 12 | 11 | 10 | 9 | 8 | 7 | 6 | 5 | 4 | 3 | 2 | 1 | 0 |   |   |
|------------------|----|------------|----------|-------|---------------------|----|----|----|----|----|----|----|----|----|----|----|----|----|----|----|----|----|---|---|---|---|---|---|---|---|---|---|---|---|
| Id               |    |            |          |       |                     |    |    |    |    |    |    |    |    |    |    |    |    |    |    |    |    |    |   |   |   |   |   |   |   |   | A | A | A | A |
| Reset 0x00000000 | 0  | 0          | 0        | 0     | 0                   | 0  | 0  | 0  | 0  | 0  | 0  | 0  | 0  | 0  | 0  | 0  | 0  | 0  | 0  | 0  | 0  | 0  | 0 | 0 | 0 | 0 | 0 | 0 | 0 | 0 | 0 | 0 |   |   |
| Id               | RW | Field      | Value Id | Value | Description         |    |    |    |    |    |    |    |    |    |    |    |    |    |    |    |    |    |   |   |   |   |   |   |   |   |   |   |   |   |
| A                | RW | OVERSAMPLE |          |       | Oversample control  |    |    |    |    |    |    |    |    |    |    |    |    |    |    |    |    |    |   |   |   |   |   |   |   |   |   |   |   |   |
|                  |    |            | Bypass   | 0     | Bypass oversampling |    |    |    |    |    |    |    |    |    |    |    |    |    |    |    |    |    |   |   |   |   |   |   |   |   |   |   |   |   |
|                  |    |            | Over2x   | 1     | Oversample 2x       |    |    |    |    |    |    |    |    |    |    |    |    |    |    |    |    |    |   |   |   |   |   |   |   |   |   |   |   |   |
|                  |    |            | Over4x   | 2     | Oversample 4x       |    |    |    |    |    |    |    |    |    |    |    |    |    |    |    |    |    |   |   |   |   |   |   |   |   |   |   |   |   |
|                  |    |            | Over8x   | 3     | Oversample 8x       |    |    |    |    |    |    |    |    |    |    |    |    |    |    |    |    |    |   |   |   |   |   |   |   |   |   |   |   |   |
|                  |    |            | Over16x  | 4     | Oversample 16x      |    |    |    |    |    |    |    |    |    |    |    |    |    |    |    |    |    |   |   |   |   |   |   |   |   |   |   |   |   |
|                  |    |            | Over32x  | 5     | Oversample 32x      |    |    |    |    |    |    |    |    |    |    |    |    |    |    |    |    |    |   |   |   |   |   |   |   |   |   |   |   |   |
|                  |    |            | Over64x  | 6     | Oversample 64x      |    |    |    |    |    |    |    |    |    |    |    |    |    |    |    |    |    |   |   |   |   |   |   |   |   |   |   |   |   |
|                  |    |            | Over128x | 7     | Oversample 128x     |    |    |    |    |    |    |    |    |    |    |    |    |    |    |    |    |    |   |   |   |   |   |   |   |   |   |   |   |   |
|                  |    |            | Over256x | 8     | Oversample 256x     |    |    |    |    |    |    |    |    |    |    |    |    |    |    |    |    |    |   |   |   |   |   |   |   |   |   |   |   |   |

### 37.11.40 SAMPLERATE

Address offset: 0x5F8

#### Controls normal or continuous sample rate

| Bit number       | 31 | 30    | 29       | 28         | 27   | 26 | 25 | 24 | 23 | 22 | 21 | 20 | 19 | 18 | 17 | 16 | 15 | 14 | 13 | 12 | 11 | 10 | 9 | 8 | 7 | 6 | 5 | 4 | 3 | 2 | 1 | 0 |   |   |   |   |   |   |   |   |   |
|------------------|----|-------|----------|------------|--|----|----|----|----|----|----|----|----|----|----|----|----|----|----|----|----|----|---|---|---|---|---|---|---|---|---|---|---|---|---|---|---|---|---|---|---|
| Id               |    |       |          |            |  |    |    |    |    |    |    |    |    |    |    |    |    |    |    |    |    |    |   |   |   |   |   |   |   |   |   | B | A | A | A | A | A | A | A | A | A |
| Reset 0x00000000 | 0  | 0     | 0        | 0          | 0  | 0  | 0  | 0  | 0  | 0  | 0  | 0  | 0  | 0  | 0  | 0  | 0  | 0  | 0  | 0  | 0  | 0  | 0 | 0 | 0 | 0 | 0 | 0 | 0 | 0 | 0 | 0 | 0 | 0 | 0 | 0 | 0 | 0 | 0 |   |   |
| Id               | RW | Field | Value Id | Value      | Description  |    |    |    |    |    |    |    |    |    |    |    |    |    |    |    |    |    |   |   |   |   |   |   |   |   |   |   |   |   |   |   |   |   |   |   |   |
| A                | RW | CC    |          | [80..2047] | Capture and compare value. Sample rate is 16 MHz/CC              |    |    |    |    |    |    |    |    |    |    |    |    |    |    |    |    |    |   |   |   |   |   |   |   |   |   |   |   |   |   |   |   |   |   |   |   |
| B                | RW | MODE  |          |            | Select mode for sample rate control                              |    |    |    |    |    |    |    |    |    |    |    |    |    |    |    |    |    |   |   |   |   |   |   |   |   |   |   |   |   |   |   |   |   |   |   |   |
|                  |    |       | Task     | 0          | Rate is controlled from SAMPLE task                              |    |    |    |    |    |    |    |    |    |    |    |    |    |    |    |    |    |   |   |   |   |   |   |   |   |   |   |   |   |   |   |   |   |   |   |   |
|                  |    |       | Timers   | 1          | Rate is controlled from local timer (use CC to control the rate) |    |    |    |    |    |    |    |    |    |    |    |    |    |    |    |    |    |   |   |   |   |   |   |   |   |   |   |   |   |   |   |   |   |   |   |   |

### 37.11.41 RESULT.PTR

Address offset: 0x62C

Data pointer

| Bit number       | 31 | 30    | 29    | 28 | 27    | 26           | 25 | 24 | 23 | 22 | 21 | 20 | 19 | 18 | 17 | 16 | 15 | 14 | 13 | 12 | 11 | 10 | 9 | 8 | 7 | 6 | 5 | 4 | 3 | 2 | 1 | 0 |
|------------------|----|-------|-------|----|-------|--------------|----|----|----|----|----|----|----|----|----|----|----|----|----|----|----|----|---|---|---|---|---|---|---|---|---|---|
| Id               | A  | A     | A     | A  | A     | A            | A  | A  | A  | A  | A  | A  | A  | A  | A  | A  | A  | A  | A  | A  | A  | A  | A | A | A | A | A | A | A | A | A | A |
| Reset 0x00000000 | 0  | 0     | 0     | 0  | 0     | 0            | 0  | 0  | 0  | 0  | 0  | 0  | 0  | 0  | 0  | 0  | 0  | 0  | 0  | 0  | 0  | 0  | 0 | 0 | 0 | 0 | 0 | 0 | 0 | 0 | 0 | 0 |
| Id               | RW | Field | Value | Id | Value | Description  |    |    |    |    |    |    |    |    |    |    |    |    |    |    |    |    |   |   |   |   |   |   |   |   |   |   |
| A                | RW | PTR   |       |    |       | Data pointer |    |    |    |    |    |    |    |    |    |    |    |    |    |    |    |    |   |   |   |   |   |   |   |   |   |   |

### 37.11.42 RESULT.MAXCNT

Address offset: 0x630

Maximum number of buffer words to transfer

| Bit number       | 31 | 30     | 29    | 28 | 27    | 26   | 25 | 24 | 23 | 22 | 21 | 20 | 19 | 18 | 17 | 16 | 15 | 14 | 13 | 12 | 11 | 10 | 9 | 8 | 7 | 6 | 5 | 4 | 3 | 2 | 1 | 0 |
|------------------|----|--------|-------|----|-------|--|----|----|----|----|----|----|----|----|----|----|----|----|----|----|----|----|---|---|---|---|---|---|---|---|---|---|
| Id               |    |        |       |    |       |  |    |    |    |    |    |    |    |    |    |    |    |    |    | A  | A  | A  | A | A | A | A | A | A | A | A | A |   |
| Reset 0x00000000 | 0  | 0      | 0     | 0  | 0     | 0  | 0  | 0  | 0  | 0  | 0  | 0  | 0  | 0  | 0  | 0  | 0  | 0  | 0  | 0  | 0  | 0  | 0 | 0 | 0 | 0 | 0 | 0 | 0 | 0 | 0 |   |
| Id               | RW | Field  | Value | Id | Value | Description                                |    |    |    |    |    |    |    |    |    |    |    |    |    |    |    |    |   |   |   |   |   |   |   |   |   |   |
| A                | RW | MAXCNT |       |    |       | Maximum number of buffer words to transfer |    |    |    |    |    |    |    |    |    |    |    |    |    |    |    |    |   |   |   |   |   |   |   |   |   |   |

### 37.11.43 RESULT.AMOUNT

Address offset: 0x634

Number of buffer words transferred since last START

| Bit number       | 31 | 30     | 29    | 28 | 27    | 26  | 25 | 24 | 23 | 22 | 21 | 20 | 19 | 18 | 17 | 16 | 15 | 14 | 13 | 12 | 11 | 10 | 9 | 8 | 7 | 6 | 5 | 4 | 3 | 2 | 1 | 0 |
|------------------|----|--------|-------|----|-------|---|----|----|----|----|----|----|----|----|----|----|----|----|----|----|----|----|---|---|---|---|---|---|---|---|---|---|
| Id               |    |        |       |    |       |   |    |    |    |    |    |    |    |    |    |    |    |    |    | A  | A  | A  | A | A | A | A | A | A | A | A | A |   |
| Reset 0x00000000 | 0  | 0      | 0     | 0  | 0     | 0   | 0  | 0  | 0  | 0  | 0  | 0  | 0  | 0  | 0  | 0  | 0  | 0  | 0  | 0  | 0  | 0  | 0 | 0 | 0 | 0 | 0 | 0 | 0 | 0 | 0 |   |
| Id               | RW | Field  | Value | Id | Value | Description   |    |    |    |    |    |    |    |    |    |    |    |    |    |    |    |    |   |   |   |   |   |   |   |   |   |   |
| A                | R  | AMOUNT |       |    |       | Number of buffer words transferred since last START. This register can be read after an END or STOPPED event. |    |    |    |    |    |    |    |    |    |    |    |    |    |    |    |    |   |   |   |   |   |   |   |   |   |   |

## 37.12 Electrical specification

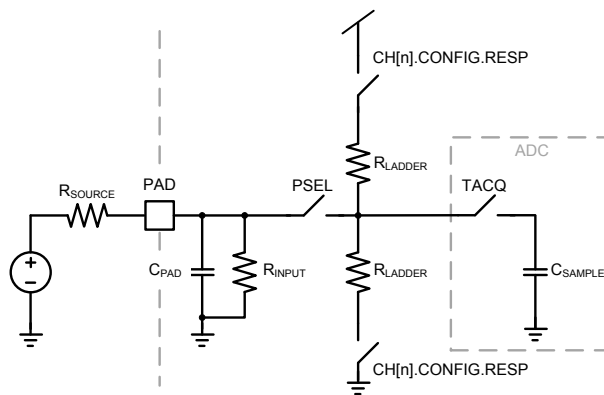
### 37.12.1 SAADC Electrical Specification

| Symbol                | Description  | Min.  | Typ. | Max. | Units |
|-----------------------|--|-------|------|------|-------|
| DNL                   | Differential non-linearity, 10-bit resolution  | -0.95 | <1   |      | LSB   |
| INL                   | Integral non-linearity, 10-bit resolution  |       | 1    |      | LSB   |
| V <sub>OS</sub>       | Differential offset error (calibrated), 10-bit resolution <sup>a</sup>                             |       | +2   |      | LSB   |
| C <sub>EG</sub>       | Gain error temperature coefficient   |       | 0.02 |      | %/-C  |
| f <sub>SAMPLE</sub>   | Maximum sampling rate  |       |      | 200  | kHz   |
| t <sub>ACQ,10k</sub>  | Acquisition time (configurable), source Resistance <= 10kOhm                                       |       | 3    |      | μs    |
| t <sub>ACQ,40k</sub>  | Acquisition time (configurable), source Resistance <= 40kOhm                                       |       | 5    |      | μs    |
| t <sub>ACQ,100k</sub> | Acquisition time (configurable), source Resistance <= 100kOhm                                      |       | 10   |      | μs    |
| t <sub>ACQ,200k</sub> | Acquisition time (configurable), source Resistance <= 200kOhm                                      |       | 15   |      | μs    |
| t <sub>ACQ,400k</sub> | Acquisition time (configurable), source Resistance <= 400kOhm                                      |       | 20   |      | μs    |
| t <sub>ACQ,800k</sub> | Acquisition time (configurable), source Resistance <= 800kOhm                                      |       | 40   |      | μs    |
| t <sub>CONV</sub>     | Conversion time  |       | <2   |      | μs    |
| I <sub>ADC,CONV</sub> | ADC current during ACQuisition and CONVersion  |       | 700  |      | μA    |
| I <sub>ADC,IDLE</sub> | Idle current, when not sampling, excluding clock sources and regulator base currents <sup>33</sup> |       | <5   |      | μA    |

<sup>a</sup> Digital output code at zero volt differential input.

<sup>33</sup> When t<sub>ACQ</sub> is 10us or longer, and if DC/DC is active, it will be allowed to work in refresh mode if no other resource is requiring a high quality power supply from 1V3. If t<sub>ACQ</sub> is smaller than 10us and DC/DC is active,

| Symbol       | Description  | Min. | Typ. | Max. | Units |
|--------------|--|------|------|------|-------|
| $E_{G1/6}$   | Error <sup>b</sup> for Gain = 1/6  | -3   |      | 3    | %     |
| $E_{G1/4}$   | Error <sup>b</sup> for Gain = 1/4  | -3   |      | 3    | %     |
| $E_{G1/2}$   | Error <sup>b</sup> for Gain = 1/2  | -3   |      | 4    | %     |
| $E_{G1}$     | Error <sup>b</sup> for Gain = 1  | -3   |      | 4    | %     |
| $C_{SAMPLE}$ | Sample and hold capacitance at maximum gain <sup>34</sup>  |      | 2.5  |      | pF    |
| $R_{INPUT}$  | Input resistance   |      | >1   |      | MΩ    |
| $E_{NOB}$    | Effective number of bits, differential mode, 12-bit resolution, 1/1 gain, 3 μs acquisition time, crystal HFCLK, 200 ksp/s                  |      | 9    |      | Bit   |
| $S_{NDR}$    | Peak signal to noise and distortion ratio, differential mode, 12-bit resolution, 1/1 gain, 3 μs acquisition time, crystal HFCLK, 200 ksp/s |      | 56   |      | dB    |
| $S_{FDR}$    | Spurious free dynamic range, differential mode, 12-bit resolution, 1/1 gain, 3 μs acquisition time, crystal HFCLK, 200 ksp/s               |      | 70   |      | dBc   |
| $R_{LADDER}$ | Ladder resistance  |      | 160  |      | kΩ    |


**Figure 105: Model of SAADC input (one channel)**

Note: SAADC average current calculation for a given application is based on the sample period, conversion and acquisition time ( $t_{CONV}$  and  $t_{ACQ}$ ) and conversion and idle current ( $I_{ADC,CONV}$  and  $I_{ADC,IDLE}$ ). For example, sampling at 4kHz gives a sample period of 250μs. The average current consumption would then be:

$$I_{AVERAGE} = \left( \frac{t_{CONV} + t_{ACQ}}{250} \right) (I_{ADC,CONV}) + \left( \frac{250 - (t_{CONV} + t_{ACQ})}{250} \right) (I_{ADC,IDLE})$$


**Figure 106: ADC INL vs Output Code**

refresh mode will not be allowed, and it will remain in normal mode from the START task to the STOPPED event. So depending on  $t_{ACQ}$  and other resources' needs, the appropriate base current needs to be taken into account.

<sup>b</sup> Does not include temperature drift

<sup>34</sup> Maximum gain corresponds to highest capacitance.

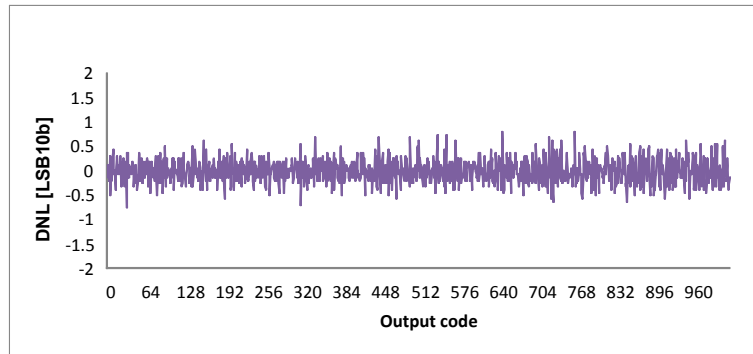


Figure 107: ADC DNL vs Output Code

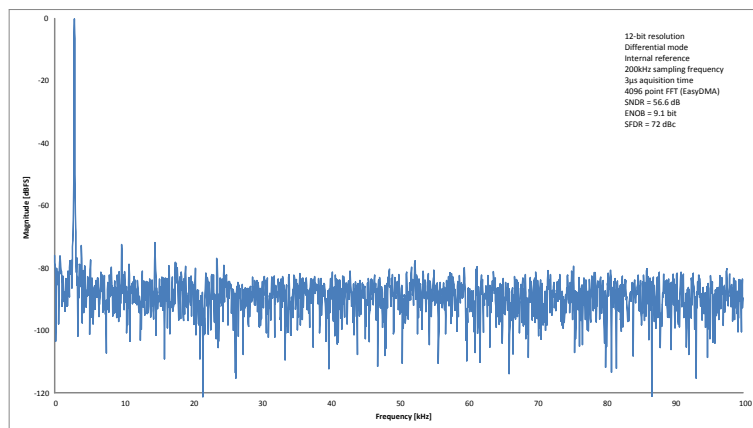


Figure 108: FFT of a 2.8 kHz sine at 200 ksps ()

### 37.13 Performance factors

Clock jitter, affecting sample timing accuracy, and circuit noise can affect ADC performance.

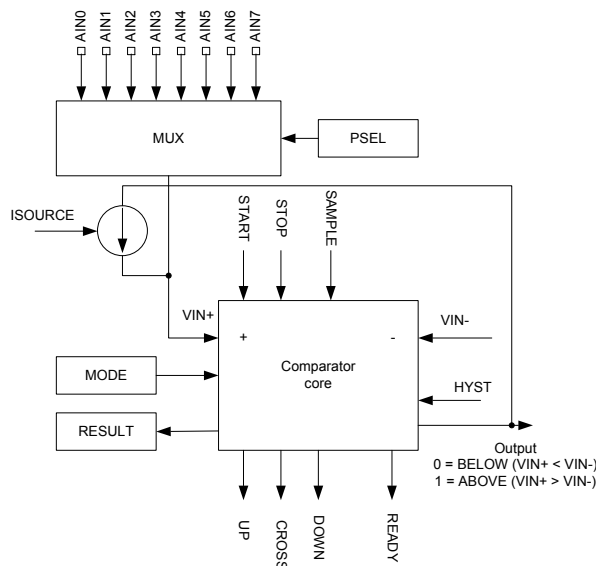
Jitter can be between START tasks or from START task to acquisition. START timer accuracy and startup times of regulators and references will contribute to variability. Sources of circuit noise may include CPU activity and the DC/DC regulator. Best ADC performance is achieved using START timing based on the TIMER module, HFXO clock source, and Constant Latency mode.

## 38 COMP — Comparator

The Comparator (COMP) compares the input voltage (VIN+) that is derived from an analog input pin selected via the PSEL register against a second input voltage (VIN-) that can be derived from multiple sources depending on operation mode.

Listed here are the main features for COMP:

- Input range from 0 V to VDD
- Single-ended mode
  - Fully flexible hysteresis using a 64-level reference ladder
- Differential mode
  - Configurable 50 mV hysteresis
- Reference inputs:
  - VDD
  - External reference from AIN0 to AIN1 (between 0 V and VDD)
  - Internal references 1.2 V, 1.8 V and 2.4 V
- Three operation modes: low power, normal and high-speed
- Single-pin capacitive sensor support
- Event generation on output changes
  - UP event on VIN- > VIN+
  - DOWN event on VIN- < VIN+
  - CROSS event on VIN+ and VIN- crossing
  - READY event on core and internal reference (if used) ready



**Figure 109: Comparator overview**

**Important:** COMP cannot be used (STARTed) at the same time as LPCOMP. Only one comparator can be used at a time.

The COMP is started by triggering the START task, and stopped by triggering the STOP task. After a start-up time of  $t_{COMP,START}$ <sup>35</sup> the COMP will generate a READY event to indicate that the comparator is ready

<sup>35</sup> See  $t_{PROPDLY,LP}$ ,  $t_{PROPDLY,N}$ ,  $t_{PROPDLY,HS}$ ,  $I_{COMP,LP}$ ,  $I_{COMP,N}$  and  $I_{COMP,HS}$  in [Electrical parameters](#) for more information about COMP speed and power characteristics related to these different modes.



to use and the output of the COMP is correct. When the COMP module is started, events will be generated every time VIN+ crosses VIN-.

VIN- can be derived directly from AIN0 or AIN1 in differential mode, or VREF in single-ended mode. VUP and VDOWN thresholds can be set to implement a hysteresis on VIN- using the Reference Ladder. VREF can be derived from VDD, AIN0, AIN1 or internal 1.2V, 1.8V and 2.4V references.

An upward crossing will generate an UP event and a downward crossing will generate a DOWN event. The CROSS event will be generated every time there is a crossing, independent of direction.

An optional hysteresis on VIN+ and VIN- can be enabled when the module is used in differential mode through the HYST register. In single ended mode the two reference ladders (VUP and VDOWN, see [Figure 112: Comparator in single-ended mode](#) on page 395) will be used instead of the hysteresis mechanism configured in HYST.

This hysteresis is in the order of magnitude of 50 mV, and shall prevent noise on the signal to create unwanted events. See [Figure 113: Hysteresis example where VIN+ starts below VUP](#) on page 395 for illustration of the effect of an active hysteresis on a noisy input signal.

The COMP can be configured to operate in two main operation modes, differential mode and single-ended mode, see MODE register for more information.

The COMP can, for both main operation modes, operate in different speed and power consumption modes, see MODE register. High-speed mode will consume more power compared to low-power mode, and low-power mode will result in slower response time compared to high-speed mode.

The immediate value of the COMP can be sampled to the RESULT register by triggering the SAMPLE task.

A selectable current can be applied (ISOURCE register) on the currently selected AINx line. Enabling the block creates a feedback path around the comparator, forming a relaxation oscillator. The circuit will sink current from VIN+ when the comparator output is high, and source current into VIN+ when the comparator output is low. The frequency of the oscillator is dependent on the capacitance at the analog input pin, the reference voltages and the value of the current source. In this mode, only a capacitive sensor needs to be attached between the analog input pin and ground. With a selected current of 10  $\mu$ A, VUP-VDOWN equal to 1 V, and an external capacity of typically 10 pF, the resulting oscillation frequency is around 500 kHz.

The frequency of the oscillator can be calculated as

$$f_{OSC} = I_{SOURCE} / (2C \cdot (VUP - VDOWN))$$

## 38.1 Shared resources

The COMP shares analog resources with the SAADC and LPCOMP peripherals.

While it is possible to use SAADC at the same time as COMP or LPCOMP, COMP and LPCOMP are mutually exclusive: enabling one will automatically disable the other. In addition, when using SAADC and COMP or LPCOMP simultaneously, it is not possible to select the same analog input pin for both modules.

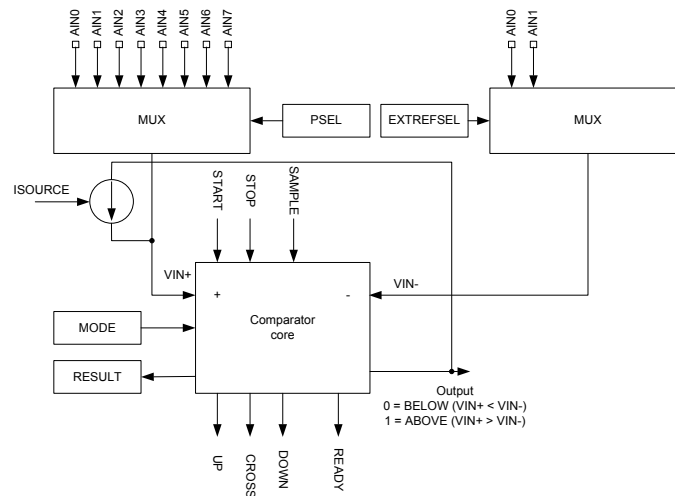
**Important:** The COMP peripheral shall not be disabled (by writing to the ENABLE register) before the peripheral has stopped. Failing to do so may result in unpredictable behaviour.

## 38.2 Differential mode

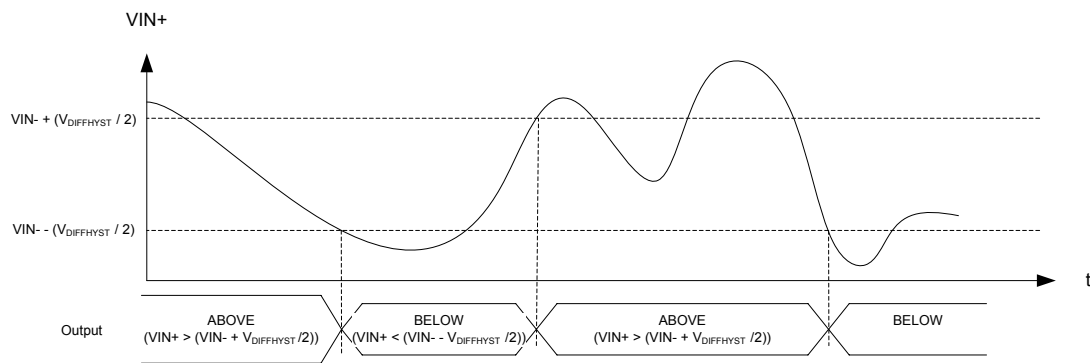
In differential mode, the reference input VIN- is derived directly from one of the AINx pins.

In this mode, the impedance on VIN-'s signal path is equal to the impedance on VIN+'s signal path. See  $Z_{COMPVINP}$  and  $Z_{COMPVINND}$  for more information. In differential mode, the PSEL, MODE and EXTRESEL registers must be configured before the COMP is enabled via the ENABLE register. When HYST is turned on while in this mode, the Output of the comparator (and associated events) will change from ABOVE to BELOW whenever VIN+ becomes smaller than  $(VIN- - (V_{DIFFHYST} / 2))$ . Similarly, it will change from BELOW to ABOVE whenever VIN+ becomes larger than  $(VIN- + (V_{DIFFHYST} / 2))$ , as illustrated in [Figure 111: Hysteresis enabled in differential mode](#) on page 394.

**Restriction:** Depending on the device, not all the analog inputs may be available for each MUX.



**Figure 110: Comparator in differential mode**



**Figure 111: Hysteresis enabled in differential mode**

### 38.3 Single-ended mode

In single-ended mode, VIN- is derived from the Reference Ladder.

The Reference Ladder uses the reference voltage VREF to derive two new voltage references, VUP and VDOWN. VUP and VDOWN are configured via THUP and THDOWN in the TH register. VREF can be sourced from any of the available references sources as illustrated in [Figure 112: Comparator in single-ended mode](#) on page 395. This is configured via EXTREFSEL and REFSEL.

When the comparator core detects that  $VIN+ > VIN-$ , i.e. ABOVE as per the RESULT register, VIN- will switch to VDOWN. When VIN- falls below VIN- again, VIN- will be switched back to VUP. By specifying VUP larger than VDOWN, a hysteresis as illustrated in [Figure 113: Hysteresis example where VIN+ starts below VUP](#) on page 395 and [Figure 114: Hysteresis example where VIN+ starts above VUP](#) on page 396 can be generated. In single-ended mode, the PSEL, MODE, EXTREFSEL, REFSEL and TH registers must be configured before the COMP is enabled via the ENABLE register.

**Restriction:** Depending on the device, not all the analog inputs may be available for each MUX.

Writing to the HYST register has no effect in single-ended mode, and the content of this register is ignored.



Figure 112: Comparator in single-ended mode

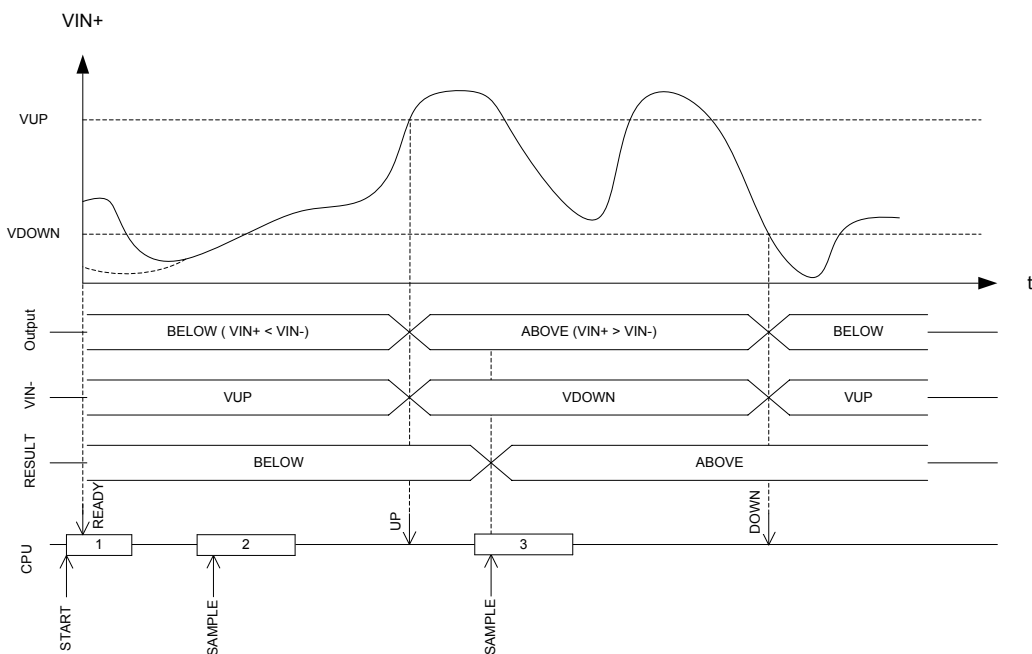


Figure 113: Hysteresis example where VIN+ starts below VUP



Figure 114: Hysteresis example where VIN+ starts above VUP

### 38.4 Pin configuration

The user can use the PSEL register to select one of the analog input pins, AIN0 through AIN7, as input VIN+.

See [Figure 112: Comparator in single-ended mode](#) on page 395. Similarly the user can use the EXTREFSEL register to select one of the AINx analog input pins as reference input, in case AREF is selected in REFSEL. The selected analog pins will be acquired by the COMP when it is enabled via the ENABLE register.

Depending on the device, not all the analog inputs may be available for each MUX. See PSEL and EXTREFSEL register definition for more information about which analog pins are available on a particular device.

### 38.5 Registers

Table 91: Instances

| Base address | Peripheral | Instance | Description                | Configuration |
|--------------|------------|----------|----------------------------|---------------|
| 0x40013000   | COMP       | COMP     | General purpose comparator |               |

Table 92: Register Overview

| Register     | Offset | Description                       |
|--------------|--------|-----------------------------------|
| TASKS_START  | 0x000  | Start comparator                  |
| TASKS_STOP   | 0x004  | Stop comparator                   |
| TASKS_SAMPLE | 0x008  | Sample comparator value           |
| EVENTS_READY | 0x100  | COMP is ready and output is valid |
| EVENTS_DOWN  | 0x104  | Downward crossing                 |
| EVENTS_UP    | 0x108  | Upward crossing                   |
| EVENTS_CROSS | 0x10C  | Downward or upward crossing       |
| SHORTS       | 0x200  | Shortcut register                 |
| INTEN        | 0x300  | Enable or disable interrupt       |
| INTENSET     | 0x304  | Enable interrupt                  |

| Register                  | Offset | Description                                 |
|---------------------------|--------|---|
| <a href="#">INTENCLR</a>  | 0x308  | Disable interrupt                           |
| <a href="#">RESULT</a>    | 0x400  | Compare result                              |
| <a href="#">ENABLE</a>    | 0x500  | COMP enable                                 |
| <a href="#">PSEL</a>      | 0x504  | Pin select                                  |
| <a href="#">REFSEL</a>    | 0x508  | Reference source select                     |
| <a href="#">EXTREFSEL</a> | 0x50C  | External reference select                   |
| <a href="#">TH</a>        | 0x530  | Threshold configuration for hysteresis unit |
| <a href="#">MODE</a>      | 0x534  | Mode configuration                          |
| <a href="#">HYST</a>      | 0x538  | Comparator hysteresis enable                |
| <a href="#">ISOURCE</a>   | 0x53C  | Current source select on analog input       |

### 38.5.1 SHORTS

Address offset: 0x200

Shortcut register

| Bit number       | 31 30 29 28 27 26 25 24 23 22 21 20 19 18 17 16 15 14 13 12 11 10 9 8 7 6 5 4 3 2 1 0 |              |          |       |   |  |  |  |  |  |  |  |  |  |  |  |  |  |  |  |  |  |  |  |  |  |  |  |  |  |   |   |   |   |   |
|------------------|---|--------------|----------|-------|---|--|--|--|--|--|--|--|--|--|--|--|--|--|--|--|--|--|--|--|--|--|--|--|--|--|---|---|---|---|---|
| Id               |   |              |          |       |   |  |  |  |  |  |  |  |  |  |  |  |  |  |  |  |  |  |  |  |  |  |  |  |  |  | E | D | C | B | A |
| Reset 0x00000000 | 0             |              |          |       |   |  |  |  |  |  |  |  |  |  |  |  |  |  |  |  |  |  |  |  |  |  |  |  |  |  |   |   |   |   |   |
| Id               | RW  | Field        | Value Id | Value | Description   |  |  |  |  |  |  |  |  |  |  |  |  |  |  |  |  |  |  |  |  |  |  |  |  |  |   |   |   |   |   |
| A                | RW  | READY_SAMPLE |          |       | Shortcut between READY event and SAMPLE task<br><br>See <a href="#">EVENTS_READY</a> and <a href="#">TASKS_SAMPLE</a> |  |  |  |  |  |  |  |  |  |  |  |  |  |  |  |  |  |  |  |  |  |  |  |  |  |   |   |   |   |   |
|                  |   |              | Disabled | 0     | Disable shortcut  |  |  |  |  |  |  |  |  |  |  |  |  |  |  |  |  |  |  |  |  |  |  |  |  |  |   |   |   |   |   |
|                  |   |              | Enabled  | 1     | Enable shortcut   |  |  |  |  |  |  |  |  |  |  |  |  |  |  |  |  |  |  |  |  |  |  |  |  |  |   |   |   |   |   |
| B                | RW  | READY_STOP   |          |       | Shortcut between READY event and STOP task<br><br>See <a href="#">EVENTS_READY</a> and <a href="#">TASKS_STOP</a>     |  |  |  |  |  |  |  |  |  |  |  |  |  |  |  |  |  |  |  |  |  |  |  |  |  |   |   |   |   |   |
|                  |   |              | Disabled | 0     | Disable shortcut  |  |  |  |  |  |  |  |  |  |  |  |  |  |  |  |  |  |  |  |  |  |  |  |  |  |   |   |   |   |   |
|                  |   |              | Enabled  | 1     | Enable shortcut   |  |  |  |  |  |  |  |  |  |  |  |  |  |  |  |  |  |  |  |  |  |  |  |  |  |   |   |   |   |   |
| C                | RW  | DOWN_STOP    |          |       | Shortcut between DOWN event and STOP task<br><br>See <a href="#">EVENTS_DOWN</a> and <a href="#">TASKS_STOP</a>       |  |  |  |  |  |  |  |  |  |  |  |  |  |  |  |  |  |  |  |  |  |  |  |  |  |   |   |   |   |   |
|                  |   |              | Disabled | 0     | Disable shortcut  |  |  |  |  |  |  |  |  |  |  |  |  |  |  |  |  |  |  |  |  |  |  |  |  |  |   |   |   |   |   |
|                  |   |              | Enabled  | 1     | Enable shortcut   |  |  |  |  |  |  |  |  |  |  |  |  |  |  |  |  |  |  |  |  |  |  |  |  |  |   |   |   |   |   |
| D                | RW  | UP_STOP      |          |       | Shortcut between UP event and STOP task<br><br>See <a href="#">EVENTS_UP</a> and <a href="#">TASKS_STOP</a>           |  |  |  |  |  |  |  |  |  |  |  |  |  |  |  |  |  |  |  |  |  |  |  |  |  |   |   |   |   |   |
|                  |   |              | Disabled | 0     | Disable shortcut  |  |  |  |  |  |  |  |  |  |  |  |  |  |  |  |  |  |  |  |  |  |  |  |  |  |   |   |   |   |   |
|                  |   |              | Enabled  | 1     | Enable shortcut   |  |  |  |  |  |  |  |  |  |  |  |  |  |  |  |  |  |  |  |  |  |  |  |  |  |   |   |   |   |   |
| E                | RW  | CROSS_STOP   |          |       | Shortcut between CROSS event and STOP task<br><br>See <a href="#">EVENTS_CROSS</a> and <a href="#">TASKS_STOP</a>     |  |  |  |  |  |  |  |  |  |  |  |  |  |  |  |  |  |  |  |  |  |  |  |  |  |   |   |   |   |   |
|                  |   |              | Disabled | 0     | Disable shortcut  |  |  |  |  |  |  |  |  |  |  |  |  |  |  |  |  |  |  |  |  |  |  |  |  |  |   |   |   |   |   |
|                  |   |              | Enabled  | 1     | Enable shortcut   |  |  |  |  |  |  |  |  |  |  |  |  |  |  |  |  |  |  |  |  |  |  |  |  |  |   |   |   |   |   |

### 38.5.2 INTEN

Address offset: 0x300

Enable or disable interrupt

| Bit number       | 31 30 29 28 27 26 25 24 23 22 21 20 19 18 17 16 15 14 13 12 11 10 9 8 7 6 5 4 3 2 1 0 |       |          |       |   |  |  |  |  |  |  |  |  |  |  |  |  |  |  |  |  |  |  |  |  |  |  |  |  |  |   |   |   |   |
|------------------|---|-------|----------|-------|---|--|--|--|--|--|--|--|--|--|--|--|--|--|--|--|--|--|--|--|--|--|--|--|--|--|---|---|---|---|
| Id               |   |       |          |       |   |  |  |  |  |  |  |  |  |  |  |  |  |  |  |  |  |  |  |  |  |  |  |  |  |  | D | C | B | A |
| Reset 0x00000000 | 0             |       |          |       |   |  |  |  |  |  |  |  |  |  |  |  |  |  |  |  |  |  |  |  |  |  |  |  |  |  |   |   |   |   |
| Id               | RW  | Field | Value Id | Value | Description   |  |  |  |  |  |  |  |  |  |  |  |  |  |  |  |  |  |  |  |  |  |  |  |  |  |   |   |   |   |
| A                | RW  | READY |          |       | Enable or disable interrupt for READY event<br><br>See <a href="#">EVENTS_READY</a> |  |  |  |  |  |  |  |  |  |  |  |  |  |  |  |  |  |  |  |  |  |  |  |  |  |   |   |   |   |
|                  |   |       | Disabled | 0     | Disable   |  |  |  |  |  |  |  |  |  |  |  |  |  |  |  |  |  |  |  |  |  |  |  |  |  |   |   |   |   |
|                  |   |       | Enabled  | 1     | Enable  |  |  |  |  |  |  |  |  |  |  |  |  |  |  |  |  |  |  |  |  |  |  |  |  |  |   |   |   |   |
| B                | RW  | DOWN  |          |       | Enable or disable interrupt for DOWN event<br><br>See <a href="#">EVENTS_DOWN</a>   |  |  |  |  |  |  |  |  |  |  |  |  |  |  |  |  |  |  |  |  |  |  |  |  |  |   |   |   |   |

|                  |    |    |    |    |    |    |    |    |    |    |    |    |    |    |    |    |    |    |    |    |    |    |   |   |   |   |   |   |   |   |   |   |
|------------------|----|----|----|----|----|----|----|----|----|----|----|----|----|----|----|----|----|----|----|----|----|----|---|---|---|---|---|---|---|---|---|---|
| Bit number       | 31 | 30 | 29 | 28 | 27 | 26 | 25 | 24 | 23 | 22 | 21 | 20 | 19 | 18 | 17 | 16 | 15 | 14 | 13 | 12 | 11 | 10 | 9 | 8 | 7 | 6 | 5 | 4 | 3 | 2 | 1 | 0 |
| Id               |    |    |    |    |    |    |    |    |    |    |    |    |    |    |    |    | D  | C  | B  | A  |    |    |   |   |   |   |   |   |   |   |   |   |
| Reset 0x00000000 | 0  | 0  | 0  | 0  | 0  | 0  | 0  | 0  | 0  | 0  | 0  | 0  | 0  | 0  | 0  | 0  | 0  | 0  | 0  | 0  | 0  | 0  | 0 | 0 | 0 | 0 | 0 | 0 | 0 | 0 | 0 | 0 |

| Id | RW | Field | Value Id                                    | Value | Description                      |
|----|----|-------|---|-------|----------------------------------|
| C  | RW | UP    | Disabled                                    | 0     | Disable                          |
|    |    |       | Enabled                                     | 1     | Enable                           |
|    |    |       | Enable or disable interrupt for UP event    |       |                                  |
|    |    |       |   |       | See <a href="#">EVENTS_UP</a>    |
|    |    |       | Disabled                                    | 0     | Disable                          |
|    |    |       | Enabled                                     | 1     | Enable                           |
|    |    |       | Enable or disable interrupt for CROSS event |       |                                  |
|    |    |       |   |       | See <a href="#">EVENTS_CROSS</a> |
| D  | RW | CROSS | Disabled                                    | 0     | Disable                          |
|    |    |       | Enabled                                     | 1     | Enable                           |
|    |    |       | Enable or disable interrupt for CROSS event |       |                                  |
|    |    |       |   |       | See <a href="#">EVENTS_CROSS</a> |

### 38.5.3 INTENSET

Address offset: 0x304

Enable interrupt

|                  |    |    |    |    |    |    |    |    |    |    |    |    |    |    |    |    |    |    |    |    |    |    |   |   |   |   |   |   |   |   |   |   |
|------------------|----|----|----|----|----|----|----|----|----|----|----|----|----|----|----|----|----|----|----|----|----|----|---|---|---|---|---|---|---|---|---|---|
| Bit number       | 31 | 30 | 29 | 28 | 27 | 26 | 25 | 24 | 23 | 22 | 21 | 20 | 19 | 18 | 17 | 16 | 15 | 14 | 13 | 12 | 11 | 10 | 9 | 8 | 7 | 6 | 5 | 4 | 3 | 2 | 1 | 0 |
| Id               |    |    |    |    |    |    |    |    |    |    |    |    |    |    |    |    | D  | C  | B  | A  |    |    |   |   |   |   |   |   |   |   |   |   |
| Reset 0x00000000 | 0  | 0  | 0  | 0  | 0  | 0  | 0  | 0  | 0  | 0  | 0  | 0  | 0  | 0  | 0  | 0  | 0  | 0  | 0  | 0  | 0  | 0  | 0 | 0 | 0 | 0 | 0 | 0 | 0 | 0 | 0 |   |

| Id | RW | Field | Value Id                                      | Value | Description                                   |  |  |
|----|----|-------|---|-------|---|--|--|
| A  | RW | READY |   |       | Write '1' to Enable interrupt for READY event |  |  |
|    |    |       | See <a href="#">EVENTS_READY</a>              |       |   |  |  |
|    |    |       | Set   | 1     | Enable  |  |  |
|    |    |       | Disabled                                      | 0     | Read: Disabled                                |  |  |
| B  | RW | DOWN  | Enabled                                       | 1     | Read: Enabled                                 |  |  |
|    |    |       | Write '1' to Enable interrupt for DOWN event  |       |   |  |  |
|    |    |       | See <a href="#">EVENTS_DOWN</a>               |       |   |  |  |
|    |    |       | Set   | 1     | Enable  |  |  |
| C  | RW | UP    | Disabled                                      | 0     | Read: Disabled                                |  |  |
|    |    |       | Write '1' to Enable interrupt for UP event    |       |   |  |  |
|    |    |       | See <a href="#">EVENTS_UP</a>                 |       |   |  |  |
|    |    |       | Set   | 1     | Enable  |  |  |
| D  | RW | CROSS | Enabled                                       | 1     | Read: Enabled                                 |  |  |
|    |    |       | Write '1' to Enable interrupt for CROSS event |       |   |  |  |
|    |    |       | See <a href="#">EVENTS_CROSS</a>              |       |   |  |  |
|    |    |       | Set   | 1     | Enable  |  |  |
|    |    |       | Disabled                                      | 0     | Read: Disabled                                |  |  |
|    |    |       | Write '1' to Enable interrupt for CROSS event |       |   |  |  |
|    |    |       | See <a href="#">EVENTS_CROSS</a>              |       |   |  |  |
|    |    |       | Set   | 1     | Enable  |  |  |
|    |    |       | Enabled                                       | 1     | Read: Enabled                                 |  |  |
|    |    |       | Write '1' to Enable interrupt for CROSS event |       |   |  |  |
|    |    |       | See <a href="#">EVENTS_CROSS</a>              |       |   |  |  |
|    |    |       | Set   | 1     | Enable  |  |  |

### 38.5.4 INTENCLR

Address offset: 0x308

Disable interrupt

|                  |    |    |    |    |    |    |    |    |    |    |    |    |    |    |    |    |    |    |    |    |    |    |   |   |   |   |   |   |   |   |   |   |
|------------------|----|----|----|----|----|----|----|----|----|----|----|----|----|----|----|----|----|----|----|----|----|----|---|---|---|---|---|---|---|---|---|---|
| Bit number       | 31 | 30 | 29 | 28 | 27 | 26 | 25 | 24 | 23 | 22 | 21 | 20 | 19 | 18 | 17 | 16 | 15 | 14 | 13 | 12 | 11 | 10 | 9 | 8 | 7 | 6 | 5 | 4 | 3 | 2 | 1 | 0 |
| Id               |    |    |    |    |    |    |    |    |    |    |    |    |    |    |    |    | D  | C  | B  | A  |    |    |   |   |   |   |   |   |   |   |   |   |
| Reset 0x00000000 | 0  | 0  | 0  | 0  | 0  | 0  | 0  | 0  | 0  | 0  | 0  | 0  | 0  | 0  | 0  | 0  | 0  | 0  | 0  | 0  | 0  | 0  | 0 | 0 | 0 | 0 | 0 | 0 | 0 | 0 | 0 |   |

| Id | RW | Field | Value Id                         | Value | Description                                    |
|----|----|-------|----------------------------------|-------|--|
| A  | RW | READY |                                  |       | Write '1' to Disable interrupt for READY event |
|    |    |       | See <a href="#">EVENTS_READY</a> |       |  |
|    |    |       | Clear                            | 1     | Disable  |

| Bit number       | 31 30 29 28 27 26 25 24 23 22 21 20 19 18 17 16 15 14 13 12 11 10 9 8 7 6 5 4 3 2 1 0 |       |          |       |  |  |  |  |  |  |  |  |  |  |  |  |  |  |  |  |  |  |  |  |  |  |  |  |  |  |   |   |   |   |
|------------------|---|-------|----------|-------|--|--|--|--|--|--|--|--|--|--|--|--|--|--|--|--|--|--|--|--|--|--|--|--|--|--|---|---|---|---|
| Id               |   |       |          |       |  |  |  |  |  |  |  |  |  |  |  |  |  |  |  |  |  |  |  |  |  |  |  |  |  |  | D | C | B | A |
| Reset 0x00000000 | 0           |       |          |       |  |  |  |  |  |  |  |  |  |  |  |  |  |  |  |  |  |  |  |  |  |  |  |  |  |  |   |   |   |   |
| Id               | RW  | Field | Value Id | Value | Description                                    |  |  |  |  |  |  |  |  |  |  |  |  |  |  |  |  |  |  |  |  |  |  |  |  |  |   |   |   |   |
|                  |   |       | Disabled | 0     | Read: Disabled                                 |  |  |  |  |  |  |  |  |  |  |  |  |  |  |  |  |  |  |  |  |  |  |  |  |  |   |   |   |   |
|                  |   |       | Enabled  | 1     | Read: Enabled                                  |  |  |  |  |  |  |  |  |  |  |  |  |  |  |  |  |  |  |  |  |  |  |  |  |  |   |   |   |   |
| B                | RW  | DOWN  |          |       | Write '1' to Disable interrupt for DOWN event  |  |  |  |  |  |  |  |  |  |  |  |  |  |  |  |  |  |  |  |  |  |  |  |  |  |   |   |   |   |
|                  |   |       |          |       | See <a href="#">EVENTS_DOWN</a>                |  |  |  |  |  |  |  |  |  |  |  |  |  |  |  |  |  |  |  |  |  |  |  |  |  |   |   |   |   |
|                  |   |       | Clear    | 1     | Disable  |  |  |  |  |  |  |  |  |  |  |  |  |  |  |  |  |  |  |  |  |  |  |  |  |  |   |   |   |   |
|                  |   |       | Disabled | 0     | Read: Disabled                                 |  |  |  |  |  |  |  |  |  |  |  |  |  |  |  |  |  |  |  |  |  |  |  |  |  |   |   |   |   |
|                  |   |       | Enabled  | 1     | Read: Enabled                                  |  |  |  |  |  |  |  |  |  |  |  |  |  |  |  |  |  |  |  |  |  |  |  |  |  |   |   |   |   |
| C                | RW  | UP    |          |       | Write '1' to Disable interrupt for UP event    |  |  |  |  |  |  |  |  |  |  |  |  |  |  |  |  |  |  |  |  |  |  |  |  |  |   |   |   |   |
|                  |   |       |          |       | See <a href="#">EVENTS_UP</a>                  |  |  |  |  |  |  |  |  |  |  |  |  |  |  |  |  |  |  |  |  |  |  |  |  |  |   |   |   |   |
|                  |   |       | Clear    | 1     | Disable  |  |  |  |  |  |  |  |  |  |  |  |  |  |  |  |  |  |  |  |  |  |  |  |  |  |   |   |   |   |
|                  |   |       | Disabled | 0     | Read: Disabled                                 |  |  |  |  |  |  |  |  |  |  |  |  |  |  |  |  |  |  |  |  |  |  |  |  |  |   |   |   |   |
|                  |   |       | Enabled  | 1     | Read: Enabled                                  |  |  |  |  |  |  |  |  |  |  |  |  |  |  |  |  |  |  |  |  |  |  |  |  |  |   |   |   |   |
| D                | RW  | CROSS |          |       | Write '1' to Disable interrupt for CROSS event |  |  |  |  |  |  |  |  |  |  |  |  |  |  |  |  |  |  |  |  |  |  |  |  |  |   |   |   |   |
|                  |   |       |          |       | See <a href="#">EVENTS_CROSS</a>               |  |  |  |  |  |  |  |  |  |  |  |  |  |  |  |  |  |  |  |  |  |  |  |  |  |   |   |   |   |
|                  |   |       | Clear    | 1     | Disable  |  |  |  |  |  |  |  |  |  |  |  |  |  |  |  |  |  |  |  |  |  |  |  |  |  |   |   |   |   |
|                  |   |       | Disabled | 0     | Read: Disabled                                 |  |  |  |  |  |  |  |  |  |  |  |  |  |  |  |  |  |  |  |  |  |  |  |  |  |   |   |   |   |
|                  |   |       | Enabled  | 1     | Read: Enabled                                  |  |  |  |  |  |  |  |  |  |  |  |  |  |  |  |  |  |  |  |  |  |  |  |  |  |   |   |   |   |

### 38.5.5 RESULT

Address offset: 0x400

Compare result

| Bit number       | 31 30 29 28 27 26 25 24 23 22 21 20 19 18 17 16 15 14 13 12 11 10 9 8 7 6 5 4 3 2 1 0 |        |          |       |   |  |  |  |  |  |  |  |  |  |  |  |  |  |  |  |  |  |  |  |  |  |  |  |  |  |   |
|------------------|---|--------|----------|-------|---|--|--|--|--|--|--|--|--|--|--|--|--|--|--|--|--|--|--|--|--|--|--|--|--|--|---|
| Id               |   |        |          |       |   |  |  |  |  |  |  |  |  |  |  |  |  |  |  |  |  |  |  |  |  |  |  |  |  |  | A |
| Reset 0x00000000 | 0           |        |          |       |   |  |  |  |  |  |  |  |  |  |  |  |  |  |  |  |  |  |  |  |  |  |  |  |  |  |   |
| Id               | RW  | Field  | Value Id | Value | Description   |  |  |  |  |  |  |  |  |  |  |  |  |  |  |  |  |  |  |  |  |  |  |  |  |  |   |
| A                | R   | RESULT |          |       | Result of last compare. Decision point SAMPLE task. |  |  |  |  |  |  |  |  |  |  |  |  |  |  |  |  |  |  |  |  |  |  |  |  |  |   |
|                  |   |        | Below    | 0     | Input voltage is below the threshold (VIN+ < VIN-)  |  |  |  |  |  |  |  |  |  |  |  |  |  |  |  |  |  |  |  |  |  |  |  |  |  |   |
|                  |   |        | Above    | 1     | Input voltage is above the threshold (VIN+ > VIN-)  |  |  |  |  |  |  |  |  |  |  |  |  |  |  |  |  |  |  |  |  |  |  |  |  |  |   |

### 38.5.6 ENABLE

Address offset: 0x500

COMP enable

| Bit number       | 31 30 29 28 27 26 25 24 23 22 21 20 19 18 17 16 15 14 13 12 11 10 9 8 7 6 5 4 3 2 1 0 |        |          |       |                        |  |  |  |  |  |  |  |  |  |  |  |  |  |  |  |  |  |  |  |  |  |  |  |  |  |   |   |
|------------------|---|--------|----------|-------|------------------------|--|--|--|--|--|--|--|--|--|--|--|--|--|--|--|--|--|--|--|--|--|--|--|--|--|---|---|
| Id               |   |        |          |       |                        |  |  |  |  |  |  |  |  |  |  |  |  |  |  |  |  |  |  |  |  |  |  |  |  |  | A | A |
| Reset 0x00000000 | 0           |        |          |       |                        |  |  |  |  |  |  |  |  |  |  |  |  |  |  |  |  |  |  |  |  |  |  |  |  |  |   |   |
| Id               | RW  | Field  | Value Id | Value | Description            |  |  |  |  |  |  |  |  |  |  |  |  |  |  |  |  |  |  |  |  |  |  |  |  |  |   |   |
| A                | RW  | ENABLE |          |       | Enable or disable COMP |  |  |  |  |  |  |  |  |  |  |  |  |  |  |  |  |  |  |  |  |  |  |  |  |  |   |   |
|                  |   |        | Disabled | 0     | Disable                |  |  |  |  |  |  |  |  |  |  |  |  |  |  |  |  |  |  |  |  |  |  |  |  |  |   |   |
|                  |   |        | Enabled  | 2     | Enable                 |  |  |  |  |  |  |  |  |  |  |  |  |  |  |  |  |  |  |  |  |  |  |  |  |  |   |   |

### 38.5.7 PSEL

Address offset: 0x504

Pin select

| Bit number       | 31 30 29 28 27 26 25 24 23 22 21 20 19 18 17 16 15 14 13 12 11 10 9 8 7 6 5 4 3 2 1 0 |       |          |       |                   |  |  |  |  |  |  |  |  |  |  |  |  |  |  |  |  |  |  |  |  |  |  |  |  |  |   |   |   |
|------------------|---|-------|----------|-------|-------------------|--|--|--|--|--|--|--|--|--|--|--|--|--|--|--|--|--|--|--|--|--|--|--|--|--|---|---|---|
| Id               |   |       |          |       |                   |  |  |  |  |  |  |  |  |  |  |  |  |  |  |  |  |  |  |  |  |  |  |  |  |  | A | A | A |
| Reset 0x00000000 | 0           |       |          |       |                   |  |  |  |  |  |  |  |  |  |  |  |  |  |  |  |  |  |  |  |  |  |  |  |  |  |   |   |   |
| Id               | RW  | Field | Value Id | Value | Description       |  |  |  |  |  |  |  |  |  |  |  |  |  |  |  |  |  |  |  |  |  |  |  |  |  |   |   |   |
| A                | RW  | PSEL  |          |       | Analog pin select |  |  |  |  |  |  |  |  |  |  |  |  |  |  |  |  |  |  |  |  |  |  |  |  |  |   |   |   |

| Bit number       | 31 | 30    | 29           | 28    | 27                            | 26 | 25 | 24 | 23 | 22 | 21 | 20 | 19 | 18 | 17 | 16 | 15 | 14 | 13 | 12 | 11 | 10 | 9 | 8 | 7 | 6 | 5 | 4 | 3 | 2 | 1 | 0 |   |
|------------------|----|-------|--------------|-------|-------------------------------|----|----|----|----|----|----|----|----|----|----|----|----|----|----|----|----|----|---|---|---|---|---|---|---|---|---|---|---|
| Id               |    |       |              |       |                               |    |    |    |    |    |    |    |    |    |    |    | A  | A  | A  |    |    |    |   |   |   |   |   |   |   |   |   |   |   |
| Reset 0x00000000 | 0  | 0     | 0            | 0     | 0                             | 0  | 0  | 0  | 0  | 0  | 0  | 0  | 0  | 0  | 0  | 0  | 0  | 0  | 0  | 0  | 0  | 0  | 0 | 0 | 0 | 0 | 0 | 0 | 0 | 0 | 0 | 0 | 0 |
| Id               | RW | Field | Value Id     | Value | Description                   |    |    |    |    |    |    |    |    |    |    |    |    |    |    |    |    |    |   |   |   |   |   |   |   |   |   |   |   |
|                  |    |       | AnalogInput0 | 0     | AIN0 selected as analog input |    |    |    |    |    |    |    |    |    |    |    |    |    |    |    |    |    |   |   |   |   |   |   |   |   |   |   |   |
|                  |    |       | AnalogInput1 | 1     | AIN1 selected as analog input |    |    |    |    |    |    |    |    |    |    |    |    |    |    |    |    |    |   |   |   |   |   |   |   |   |   |   |   |
|                  |    |       | AnalogInput2 | 2     | AIN2 selected as analog input |    |    |    |    |    |    |    |    |    |    |    |    |    |    |    |    |    |   |   |   |   |   |   |   |   |   |   |   |
|                  |    |       | AnalogInput3 | 3     | AIN3 selected as analog input |    |    |    |    |    |    |    |    |    |    |    |    |    |    |    |    |    |   |   |   |   |   |   |   |   |   |   |   |
|                  |    |       | AnalogInput4 | 4     | AIN4 selected as analog input |    |    |    |    |    |    |    |    |    |    |    |    |    |    |    |    |    |   |   |   |   |   |   |   |   |   |   |   |
|                  |    |       | AnalogInput5 | 5     | AIN5 selected as analog input |    |    |    |    |    |    |    |    |    |    |    |    |    |    |    |    |    |   |   |   |   |   |   |   |   |   |   |   |
|                  |    |       | AnalogInput6 | 6     | AIN6 selected as analog input |    |    |    |    |    |    |    |    |    |    |    |    |    |    |    |    |    |   |   |   |   |   |   |   |   |   |   |   |
|                  |    |       | AnalogInput7 | 7     | AIN7 selected as analog input |    |    |    |    |    |    |    |    |    |    |    |    |    |    |    |    |    |   |   |   |   |   |   |   |   |   |   |   |

### 38.5.8 REFSEL

Address offset: 0x508

Reference source select

| Bit number       | 31 | 30     | 29       | 28    | 27  | 26 | 25 | 24 | 23 | 22 | 21 | 20 | 19 | 18 | 17 | 16 | 15 | 14 | 13 | 12 | 11 | 10 | 9 | 8 | 7 | 6 | 5 | 4 | 3 | 2 | 1 | 0 |
|------------------|----|--------|----------|-------|---|----|----|----|----|----|----|----|----|----|----|----|----|----|----|----|----|----|---|---|---|---|---|---|---|---|---|---|
| Id               |    |        |          |       |   |    |    |    |    |    |    |    |    |    |    |    | A  | A  | A  |    |    |    |   |   |   |   |   |   |   |   |   |   |
| Reset 0x00000004 | 0  | 0      | 0        | 0     | 0   | 0  | 0  | 0  | 0  | 0  | 0  | 0  | 0  | 0  | 0  | 0  | 0  | 0  | 0  | 0  | 0  | 0  | 0 | 0 | 0 | 0 | 0 | 0 | 0 | 1 | 0 | 0 |
| Id               | RW | Field  | Value Id | Value | Description   |    |    |    |    |    |    |    |    |    |    |    |    |    |    |    |    |    |   |   |   |   |   |   |   |   |   |   |
| A                | RW | REFSEL |          |       | Reference select                                      |    |    |    |    |    |    |    |    |    |    |    |    |    |    |    |    |    |   |   |   |   |   |   |   |   |   |   |
|                  |    |        | Int1V2   | 0     | VREF = internal 1.2 V reference (VDD >= 1.7 V)        |    |    |    |    |    |    |    |    |    |    |    |    |    |    |    |    |    |   |   |   |   |   |   |   |   |   |   |
|                  |    |        | Int1V8   | 1     | VREF = internal 1.8 V reference (VDD >= VREF + 0.2 V) |    |    |    |    |    |    |    |    |    |    |    |    |    |    |    |    |    |   |   |   |   |   |   |   |   |   |   |
|                  |    |        | Int2V4   | 2     | VREF = internal 2.4 V reference (VDD >= VREF + 0.2 V) |    |    |    |    |    |    |    |    |    |    |    |    |    |    |    |    |    |   |   |   |   |   |   |   |   |   |   |
|                  |    |        | VDD      | 4     | VREF = VDD  |    |    |    |    |    |    |    |    |    |    |    |    |    |    |    |    |    |   |   |   |   |   |   |   |   |   |   |
|                  |    |        | ARef     | 7     | VREF = AREF (VDD >= VREF >= AREFMIN)                  |    |    |    |    |    |    |    |    |    |    |    |    |    |    |    |    |    |   |   |   |   |   |   |   |   |   |   |

### 38.5.9 EXTREFSEL

Address offset: 0x50C

External reference select

| Bit number       | 31 | 30        | 29               | 28    | 27                                    | 26 | 25 | 24 | 23 | 22 | 21 | 20 | 19 | 18 | 17 | 16 | 15 | 14 | 13 | 12 | 11 | 10 | 9 | 8 | 7 | 6 | 5 | 4 | 3 | 2 | 1 | 0 |
|------------------|----|-----------|------------------|-------|---------------------------------------|----|----|----|----|----|----|----|----|----|----|----|----|----|----|----|----|----|---|---|---|---|---|---|---|---|---|---|
| Id               |    |           |                  |       |                                       |    |    |    |    |    |    |    |    |    |    |    | A  |    |    |    |    |    |   |   |   |   |   |   |   |   |   |   |
| Reset 0x00000000 | 0  | 0         | 0                | 0     | 0                                     | 0  | 0  | 0  | 0  | 0  | 0  | 0  | 0  | 0  | 0  | 0  | 0  | 0  | 0  | 0  | 0  | 0  | 0 | 0 | 0 | 0 | 0 | 0 | 0 | 0 | 0 | 0 |
| Id               | RW | Field     | Value Id         | Value | Description                           |    |    |    |    |    |    |    |    |    |    |    |    |    |    |    |    |    |   |   |   |   |   |   |   |   |   |   |
| A                | RW | EXTREFSEL |                  |       | External analog reference select      |    |    |    |    |    |    |    |    |    |    |    |    |    |    |    |    |    |   |   |   |   |   |   |   |   |   |   |
|                  |    |           | AnalogReference0 | 0     | Use AIN0 as external analog reference |    |    |    |    |    |    |    |    |    |    |    |    |    |    |    |    |    |   |   |   |   |   |   |   |   |   |   |
|                  |    |           | AnalogReference1 | 1     | Use AIN1 as external analog reference |    |    |    |    |    |    |    |    |    |    |    |    |    |    |    |    |    |   |   |   |   |   |   |   |   |   |   |

### 38.5.10 TH

Address offset: 0x530

Threshold configuration for hysteresis unit

| Bit number       | 31 | 30     | 29       | 28     | 27                         | 26 | 25 | 24 | 23 | 22 | 21 | 20 | 19 | 18 | 17 | 16 | 15 | 14 | 13 | 12 | 11 | 10 | 9 | 8 | 7 | 6 | 5 | 4 | 3 | 2 | 1 | 0 |   |
|------------------|----|--------|----------|--------|----------------------------|----|----|----|----|----|----|----|----|----|----|----|----|----|----|----|----|----|---|---|---|---|---|---|---|---|---|---|---|
| Id               |    |        |          |        |                            |    |    |    |    |    |    |    |    |    |    |    | B  | B  | B  | B  | B  | B  | A | A | A | A | A |   |   |   |   |   |   |
| Reset 0x00000000 | 0  | 0      | 0        | 0      | 0                          | 0  | 0  | 0  | 0  | 0  | 0  | 0  | 0  | 0  | 0  | 0  | 0  | 0  | 0  | 0  | 0  | 0  | 0 | 0 | 0 | 0 | 0 | 0 | 0 | 0 | 0 | 0 | 0 |
| Id               | RW | Field  | Value Id | Value  | Description                |    |    |    |    |    |    |    |    |    |    |    |    |    |    |    |    |    |   |   |   |   |   |   |   |   |   |   |   |
| A                | RW | THDOWN |          | [63:0] | VDOWN = (THDOWN+1)/64*VREF |    |    |    |    |    |    |    |    |    |    |    |    |    |    |    |    |    |   |   |   |   |   |   |   |   |   |   |   |
| B                | RW | THUP   |          | [63:0] | VUP = (THUP+1)/64*VREF     |    |    |    |    |    |    |    |    |    |    |    |    |    |    |    |    |    |   |   |   |   |   |   |   |   |   |   |   |

### 38.5.11 MODE

Address offset: 0x534

Mode configuration



| Bit number       | 31 30 29 28 27 26 25 24 23 22 21 20 19 18 17 16 15 14 13 12 11 10 9 8 7 6 5 4 3 2 1 0 |       |        |    |                   |                      |  |  |  |  |  |  |  |  |  |  |  |  |  |  |  |  |  |  |   |  |  |  |  |  |   |   |
|------------------|---|-------|--------|----|-------------------|----------------------|--|--|--|--|--|--|--|--|--|--|--|--|--|--|--|--|--|--|---|--|--|--|--|--|---|---|
| Id               |   |       |        |    |                   |                      |  |  |  |  |  |  |  |  |  |  |  |  |  |  |  |  |  |  | B |  |  |  |  |  | A | A |
| Reset 0x00000000 | 0             |       |        |    |                   |                      |  |  |  |  |  |  |  |  |  |  |  |  |  |  |  |  |  |  |   |  |  |  |  |  |   |   |
| Id               | RW  | Field | Value  | Id | Value             | Description          |  |  |  |  |  |  |  |  |  |  |  |  |  |  |  |  |  |  |   |  |  |  |  |  |   |   |
| A                | RW  | SP    |        |    |                   | Speed and power mode |  |  |  |  |  |  |  |  |  |  |  |  |  |  |  |  |  |  |   |  |  |  |  |  |   |   |
|                  |   |       | Low    | 0  | Low power mode    |                      |  |  |  |  |  |  |  |  |  |  |  |  |  |  |  |  |  |  |   |  |  |  |  |  |   |   |
|                  |   |       | Normal | 1  | Normal mode       |                      |  |  |  |  |  |  |  |  |  |  |  |  |  |  |  |  |  |  |   |  |  |  |  |  |   |   |
|                  |   |       | High   | 2  | High speed mode   |                      |  |  |  |  |  |  |  |  |  |  |  |  |  |  |  |  |  |  |   |  |  |  |  |  |   |   |
| B                | RW  | MAIN  |        |    |                   | Main operation mode  |  |  |  |  |  |  |  |  |  |  |  |  |  |  |  |  |  |  |   |  |  |  |  |  |   |   |
|                  |   |       | SE     | 0  | Single ended mode |                      |  |  |  |  |  |  |  |  |  |  |  |  |  |  |  |  |  |  |   |  |  |  |  |  |   |   |
|                  |   |       | Diff   | 1  | Differential mode |                      |  |  |  |  |  |  |  |  |  |  |  |  |  |  |  |  |  |  |   |  |  |  |  |  |   |   |

### 38.5.12 HYST

Address offset: 0x538

Comparator hysteresis enable

| Bit number       | 31 30 29 28 27 26 25 24 23 22 21 20 19 18 17 16 15 14 13 12 11 10 9 8 7 6 5 4 3 2 1 0 |       |          |    |                                |                       |  |  |  |  |  |  |  |  |  |  |  |  |  |  |  |  |  |  |  |  |  |  |  |  |   |
|------------------|---|-------|----------|----|--------------------------------|-----------------------|--|--|--|--|--|--|--|--|--|--|--|--|--|--|--|--|--|--|--|--|--|--|--|--|---|
| Id               |   |       |          |    |                                |                       |  |  |  |  |  |  |  |  |  |  |  |  |  |  |  |  |  |  |  |  |  |  |  |  | A |
| Reset 0x00000000 | 0             |       |          |    |                                |                       |  |  |  |  |  |  |  |  |  |  |  |  |  |  |  |  |  |  |  |  |  |  |  |  |   |
| Id               | RW  | Field | Value    | Id | Value                          | Description           |  |  |  |  |  |  |  |  |  |  |  |  |  |  |  |  |  |  |  |  |  |  |  |  |   |
| A                | RW  | HYST  |          |    |                                | Comparator hysteresis |  |  |  |  |  |  |  |  |  |  |  |  |  |  |  |  |  |  |  |  |  |  |  |  |   |
|                  |   |       | NoHyst   | 0  | Comparator hysteresis disabled |                       |  |  |  |  |  |  |  |  |  |  |  |  |  |  |  |  |  |  |  |  |  |  |  |  |   |
|                  |   |       | Hyst50mV | 1  | Comparator hysteresis enabled  |                       |  |  |  |  |  |  |  |  |  |  |  |  |  |  |  |  |  |  |  |  |  |  |  |  |   |

### 38.5.13 ISOURCE

Address offset: 0x53C

Current source select on analog input

| Bit number       | 31 30 29 28 27 26 25 24 23 22 21 20 19 18 17 16 15 14 13 12 11 10 9 8 7 6 5 4 3 2 1 0 |         |         |    |                                     |                       |  |  |  |  |  |  |  |  |  |  |  |  |  |  |  |  |  |  |  |  |  |  |  |  |   |   |
|------------------|---|---------|---------|----|-------------------------------------|-----------------------|--|--|--|--|--|--|--|--|--|--|--|--|--|--|--|--|--|--|--|--|--|--|--|--|---|---|
| Id               |   |         |         |    |                                     |                       |  |  |  |  |  |  |  |  |  |  |  |  |  |  |  |  |  |  |  |  |  |  |  |  | A | A |
| Reset 0x00000000 | 0             |         |         |    |                                     |                       |  |  |  |  |  |  |  |  |  |  |  |  |  |  |  |  |  |  |  |  |  |  |  |  |   |   |
| Id               | RW  | Field   | Value   | Id | Value                               | Description           |  |  |  |  |  |  |  |  |  |  |  |  |  |  |  |  |  |  |  |  |  |  |  |  |   |   |
| A                | RW  | ISOURCE |         |    |                                     | Comparator hysteresis |  |  |  |  |  |  |  |  |  |  |  |  |  |  |  |  |  |  |  |  |  |  |  |  |   |   |
|                  |   |         | Off     | 0  | Current source disabled             |                       |  |  |  |  |  |  |  |  |  |  |  |  |  |  |  |  |  |  |  |  |  |  |  |  |   |   |
|                  |   |         | len2mA5 | 1  | Current source enabled (+/- 2.5 uA) |                       |  |  |  |  |  |  |  |  |  |  |  |  |  |  |  |  |  |  |  |  |  |  |  |  |   |   |
|                  |   |         | len5mA  | 2  | Current source enabled (+/- 5 uA)   |                       |  |  |  |  |  |  |  |  |  |  |  |  |  |  |  |  |  |  |  |  |  |  |  |  |   |   |
|                  |   |         | len10mA | 3  | Current source enabled (+/- 10 uA)  |                       |  |  |  |  |  |  |  |  |  |  |  |  |  |  |  |  |  |  |  |  |  |  |  |  |   |   |

## 38.6 Electrical specification

### 38.6.1 COMP Electrical Specification

| Symbol                  | Description  | Min. | Typ. | Max. | Units |
|-------------------------|--|------|------|------|-------|
| I <sub>COMP,LP</sub>    | Core run current in low power mode                                       |      | 2    |      | μA    |
| I <sub>COMP,N</sub>     | Core run current in normal mode  |      | 5    |      | μA    |
| I <sub>COMP,HS</sub>    | Core run current in high-speed mode                                      |      | 10   |      | μA    |
| t <sub>PROPDLY,LP</sub> | Propagation delay, low power mode <sup>a</sup>                           |      | 0.6  |      | μS    |
| t <sub>PROPDLY,N</sub>  | Propagation delay, normal mode <sup>a</sup>                              |      | 0.2  |      | μS    |
| t <sub>PROPDLY,HS</sub> | Propagation delay, high-speed mode <sup>a</sup>                          |      | 0.1  |      | μS    |
| I <sub>SOURCE</sub>     | Configurable input current provided by the output driven current source. |      |      |      | μA    |
| I <sub>SOURCE,A</sub>   |  |      | 2.5  |      | μA    |
| I <sub>SOURCE,B</sub>   |  |      | 5.0  |      | μA    |
| I <sub>SOURCE,C</sub>   |  |      | 10.0 |      | μA    |

<sup>a</sup> Propagation delay is with 10mV overdrive.

| Symbol                     | Description   | Min. | Typ. | Max. | Units |
|----------------------------|---|------|------|------|-------|
| V <sub>DIFFHYST</sub>      | Optional hysteresis applied to differential input                               |      | 30   |      | mV    |
| V <sub>VDD-VREF</sub>      | Required difference between VDD and a selected VREF, VDD > VREF                 | 0.3  |      |      | V     |
| I <sub>INT_REF</sub>       | Current used by the internal bandgap reference when selected as source for VREF |      | 13   |      | μA    |
| t <sub>INT_REF,START</sub> | Startup time for the internal bandgap reference                                 |      | 50   | 80   | μS    |
| E <sub>INT_REF</sub>       | Internal bandgap reference error  | -3   |      | 3    | %     |
| R <sub>LADDER</sub>        | Reference ladder resistance, I <sub>LADDER</sub> = VREF / R <sub>LADDER</sub>   |      | 550  |      | kΩ    |
| V <sub>INPUTOFFSET</sub>   | Input offset  | -10  |      | 10   | mV    |
| D <sub>NLLADDER</sub>      | Differential non-linearity of reference ladder                                  |      | <0.1 |      | LSB   |
| t <sub>COMP,START</sub>    | Startup time for the comparator core  |      | 3    |      | μS    |

Total comparator run current must be calculated from the I<sub>COMP</sub>, I<sub>INT\_REF</sub>, I<sub>SOURCE</sub> and I<sub>LADDER</sub> values for a given reference voltage.

## 39 LPCOMP — Low power comparator

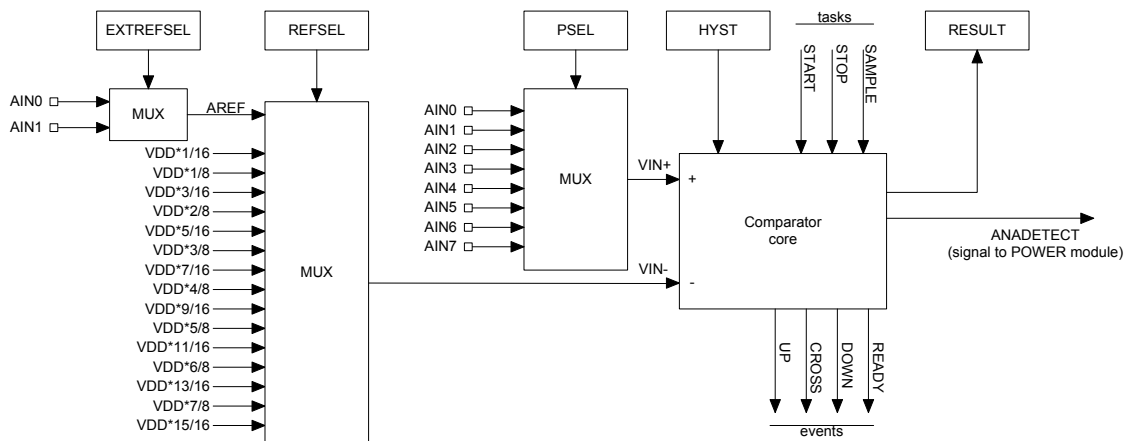
LPCOMP compares an input voltage against a reference voltage.

Listed here are the main features of LPCOMP:

- 0 - VDD input range
- Ultra low power
- Eight input options (AIN0 to AIN7)
- Reference voltage options:
  - Two external analog reference inputs, or
  - 15-level internal reference ladder (VDD/16)
- Optional hysteresis enable on input
- Wakeup source from OFF mode

In System ON, the LPCOMP can generate separate events on rising and falling edges of a signal, or sample the current state of the pin as being above or below the selected reference. The block can be configured to use any of the analog inputs on the device. Additionally, the low power comparator can be used as an analog wakeup source from System OFF or System ON. The comparator threshold can be programmed to a range of fractions of the supply voltage.

**Restriction:** LPCOMP cannot be used (STARTed) at the same time as COMP. Only one comparator can be used at a time.



**Figure 115: Low power comparator**

The wakeup comparator (LPCOMP) compares an input voltage (VIN+), which comes from an analog input pin selected via the PSEL register against a reference voltage (VIN-) selected via the [REFSEL](#) on page 408 and [EXTREFSEL](#) registers.

The [PSEL](#), [REFSEL](#), and [EXTREFSEL](#) registers must be configured before the LPCOMP is enabled through the [ENABLE](#) register.

The [HYST](#) register allows enabling an optional hysteresis in the comparator core. This hysteresis is in the order of magnitude of 50 mV, and shall prevent noise on the signal to create unwanted events. See [Figure 116: Effect of hysteresis on a noisy input signal](#) on page 404 for illustration of the effect of an active hysteresis on a noisy input signal. It is disabled by default, and shall be configured before enabling LPCOMP as well.

The LPCOMP is started by triggering the START task. After a start-up time of  $t_{LPCOMP,STARTUP}$  the LPCOMP will generate a READY event to indicate that the comparator is ready to use and the output of the LPCOMP is correct. The LPCOMP will generate events every time VIN+ crosses VIN-. More specifically, every time VIN+ rises above VIN- (upward crossing) an UP event is generated along with a CROSS event. Every time VIN+ falls below VIN- (downward crossing), a DOWN event is generated along with a CROSS event. When

hysteresis is enabled, the upward crossing level becomes  $(V_{IN-} + V_{HYST}/2)$ , and the downward crossing level becomes  $(V_{IN-} - V_{HYST}/2)$ .

The LPCOMP is stopped by triggering the STOP task.



**Figure 116: Effect of hysteresis on a noisy input signal**

LPCOMP will be operational in both System ON and System OFF mode when it is enabled through the ENABLE register. See [POWER — Power supply](#) on page 78 for more information about power modes. Note that it is not allowed to go to System OFF when a READY event is pending to be generated.

All LPCOMP registers, including [ENABLE](#), are classified as retained registers when the LPCOMP is enabled. However, when the device wakes up from System OFF, all LPCOMP registers will be reset.

The LPCOMP can wake up the system from System OFF by asserting the ANADETECT signal. The ANADETECT signal can be derived from any of the event sources that generate the UP, DOWN and CROSS events. In case of wakeup from System OFF, no events will be generated, only the ANADETECT signal. See the ANADETECT register ([ANADETECT](#) on page 408) for more information on how to configure the ANADETECT signal.

The immediate value of the LPCOMP can be sampled to [RESULT](#) on page 407 by triggering the SAMPLE task.

See [RESETREAS](#) on page 85 for more information on how to detect a wakeup from LPCOMP.

## 39.1 Shared resources

The LPCOMP shares resources with other peripherals.

The LPCOMP shares analog resources with SAADC and COMP. While it is possible to use SAADC at the same time as COMP or LPCOMP, COMP and LPCOMP are mutually exclusive: enabling one will automatically disable the other. In addition, when using SAADC and COMP or LPCOMP simultaneously, it is not possible to select the same analog input pin for both modules.

The LPCOMP peripheral shall not be disabled (by writing to the ENABLE register) before the peripheral has been stopped. Failing to do so may result in unpredictable behaviour.

## 39.2 Pin configuration

You can use the LPCOMP.PSEL register to select one of the analog input pins, `AIN0` through `AIN7`, as the analog input pin for the LPCOMP.

See [GPIO — General purpose input/output](#) on page 111 for more information about the pins. Similarly, you can use [EXTREFSEL](#) on page 408 to select one of the analog reference input pins, `AIN0` and `AIN1`, as input for AREF in case AREF is selected in [EXTREFSEL](#) on page 408. The selected analog pins will be acquired by the LPCOMP when it is enabled through [ENABLE](#) on page 407.

## 39.3 Registers

**Table 93: Instances**

| Base address | Peripheral | Instance | Description          | Configuration |
|--------------|------------|----------|----------------------|---------------|
| 0x40013000   | LPCOMP     | LPCOMP   | Low power comparator |               |

**Table 94: Register Overview**

| Register     | Offset | Description                         |
|--------------|--------|-------------------------------------|
| TASKS_START  | 0x000  | Start comparator                    |
| TASKS_STOP   | 0x004  | Stop comparator                     |
| TASKS_SAMPLE | 0x008  | Sample comparator value             |
| EVENTS_READY | 0x100  | LPCOMP is ready and output is valid |
| EVENTS_DOWN  | 0x104  | Downward crossing                   |
| EVENTS_UP    | 0x108  | Upward crossing                     |
| EVENTS_CROSS | 0x10C  | Downward or upward crossing         |
| SHORTS       | 0x200  | Shortcut register                   |
| INTENSET     | 0x304  | Enable interrupt                    |
| INTENCLR     | 0x308  | Disable interrupt                   |
| RESULT       | 0x400  | Compare result                      |
| ENABLE       | 0x500  | Enable LPCOMP                       |
| PSEL         | 0x504  | Input pin select                    |
| REFSEL       | 0x508  | Reference select                    |
| EXTREFSEL    | 0x50C  | External reference select           |
| ANADETECT    | 0x520  | Analog detect configuration         |
| HYST         | 0x538  | Comparator hysteresis enable        |

### 39.3.1 SHORTS

Address offset: 0x200

Shortcut register

| Bit number       | 31 30 29 28 27 26 25 24 23 22 21 20 19 18 17 16 15 14 13 12 11 10 9 8 7 6 5 4 3 2 1 0 |              |          |                  |   |  |  |  |  |  |  |  |  |  |  |  |  |  |  |  |  |  |  |  |  |  |  |  |   |   |   |   |   |
|------------------|---|--------------|----------|------------------|---|--|--|--|--|--|--|--|--|--|--|--|--|--|--|--|--|--|--|--|--|--|--|--|---|---|---|---|---|
| Id               |   |              |          |                  |   |  |  |  |  |  |  |  |  |  |  |  |  |  |  |  |  |  |  |  |  |  |  |  | E | D | C | B | A |
| Reset 0x00000000 | 0                       |              |          |                  |   |  |  |  |  |  |  |  |  |  |  |  |  |  |  |  |  |  |  |  |  |  |  |  |   |   |   |   |   |
| Id               | RW  | Field        | Value Id | Value            | Description   |  |  |  |  |  |  |  |  |  |  |  |  |  |  |  |  |  |  |  |  |  |  |  |   |   |   |   |   |
| A                | RW  | READY_SAMPLE |          |                  | Shortcut between READY event and SAMPLE task                      |  |  |  |  |  |  |  |  |  |  |  |  |  |  |  |  |  |  |  |  |  |  |  |   |   |   |   |   |
|                  |   |              |          |                  | See <a href="#">EVENTS_READY</a> and <a href="#">TASKS_SAMPLE</a> |  |  |  |  |  |  |  |  |  |  |  |  |  |  |  |  |  |  |  |  |  |  |  |   |   |   |   |   |
|                  |   |              | Disabled | 0                | Disable shortcut  |  |  |  |  |  |  |  |  |  |  |  |  |  |  |  |  |  |  |  |  |  |  |  |   |   |   |   |   |
|                  |   | Enabled      | 1        | Enable shortcut  |   |  |  |  |  |  |  |  |  |  |  |  |  |  |  |  |  |  |  |  |  |  |  |  |   |   |   |   |   |
| B                | RW  | READY_STOP   |          |                  | Shortcut between READY event and STOP task                        |  |  |  |  |  |  |  |  |  |  |  |  |  |  |  |  |  |  |  |  |  |  |  |   |   |   |   |   |
|                  |   |              |          |                  | See <a href="#">EVENTS_READY</a> and <a href="#">TASKS_STOP</a>   |  |  |  |  |  |  |  |  |  |  |  |  |  |  |  |  |  |  |  |  |  |  |  |   |   |   |   |   |
|                  |   |              | Disabled | 0                | Disable shortcut  |  |  |  |  |  |  |  |  |  |  |  |  |  |  |  |  |  |  |  |  |  |  |  |   |   |   |   |   |
|                  |   | Enabled      | 1        | Enable shortcut  |   |  |  |  |  |  |  |  |  |  |  |  |  |  |  |  |  |  |  |  |  |  |  |  |   |   |   |   |   |
| C                | RW  | DOWN_STOP    |          |                  | Shortcut between DOWN event and STOP task                         |  |  |  |  |  |  |  |  |  |  |  |  |  |  |  |  |  |  |  |  |  |  |  |   |   |   |   |   |
|                  |   |              |          |                  | See <a href="#">EVENTS_DOWN</a> and <a href="#">TASKS_STOP</a>    |  |  |  |  |  |  |  |  |  |  |  |  |  |  |  |  |  |  |  |  |  |  |  |   |   |   |   |   |
|                  |   |              | Disabled | 0                | Disable shortcut  |  |  |  |  |  |  |  |  |  |  |  |  |  |  |  |  |  |  |  |  |  |  |  |   |   |   |   |   |
|                  |   | Enabled      | 1        | Enable shortcut  |   |  |  |  |  |  |  |  |  |  |  |  |  |  |  |  |  |  |  |  |  |  |  |  |   |   |   |   |   |
| D                | RW  | UP_STOP      |          |                  | Shortcut between UP event and STOP task                           |  |  |  |  |  |  |  |  |  |  |  |  |  |  |  |  |  |  |  |  |  |  |  |   |   |   |   |   |
|                  |   |              |          |                  | See <a href="#">EVENTS_UP</a> and <a href="#">TASKS_STOP</a>      |  |  |  |  |  |  |  |  |  |  |  |  |  |  |  |  |  |  |  |  |  |  |  |   |   |   |   |   |
|                  |   |              | Disabled | 0                | Disable shortcut  |  |  |  |  |  |  |  |  |  |  |  |  |  |  |  |  |  |  |  |  |  |  |  |   |   |   |   |   |
|                  |   | Enabled      | 1        | Enable shortcut  |   |  |  |  |  |  |  |  |  |  |  |  |  |  |  |  |  |  |  |  |  |  |  |  |   |   |   |   |   |
| E                | RW  | CROSS_STOP   |          |                  | Shortcut between CROSS event and STOP task                        |  |  |  |  |  |  |  |  |  |  |  |  |  |  |  |  |  |  |  |  |  |  |  |   |   |   |   |   |
|                  |   |              |          |                  | See <a href="#">EVENTS_CROSS</a> and <a href="#">TASKS_STOP</a>   |  |  |  |  |  |  |  |  |  |  |  |  |  |  |  |  |  |  |  |  |  |  |  |   |   |   |   |   |
|                  |   | Disabled     | 0        | Disable shortcut |   |  |  |  |  |  |  |  |  |  |  |  |  |  |  |  |  |  |  |  |  |  |  |  |   |   |   |   |   |

| Bit number       | 31 | 30    | 29      | 28 | 27    | 26              | 25 | 24 | 23 | 22 | 21 | 20 | 19 | 18 | 17 | 16 | 15 | 14 | 13 | 12 | 11 | 10 | 9 | 8 | 7 | 6 | 5 | 4 | 3 | 2 | 1 | 0 |
|------------------|----|-------|---------|----|-------|-----------------|----|----|----|----|----|----|----|----|----|----|----|----|----|----|----|----|---|---|---|---|---|---|---|---|---|---|
| Id               |    |       |         |    |       |                 |    |    |    |    |    |    |    |    |    |    |    |    |    |    |    |    |   |   |   |   |   | E | D | C | B | A |
| Reset 0x00000000 | 0  | 0     | 0       | 0  | 0     | 0               | 0  | 0  | 0  | 0  | 0  | 0  | 0  | 0  | 0  | 0  | 0  | 0  | 0  | 0  | 0  | 0  | 0 | 0 | 0 | 0 | 0 | 0 | 0 | 0 | 0 | 0 |
| Id               | RW | Field | Value   | Id | Value | Description     |    |    |    |    |    |    |    |    |    |    |    |    |    |    |    |    |   |   |   |   |   |   |   |   |   |   |
|                  |    |       | Enabled | 1  |       | Enable shortcut |    |    |    |    |    |    |    |    |    |    |    |    |    |    |    |    |   |   |   |   |   |   |   |   |   |   |

### 39.3.2 INTENSET

Address offset: 0x304

Enable interrupt

| Bit number       | 31 | 30    | 29       | 28 | 27    | 26  | 25 | 24 | 23 | 22 | 21 | 20 | 19 | 18 | 17 | 16 | 15 | 14 | 13 | 12 | 11 | 10 | 9 | 8 | 7 | 6 | 5 | 4 | 3 | 2 | 1 | 0 |
|------------------|----|-------|----------|----|-------|---|----|----|----|----|----|----|----|----|----|----|----|----|----|----|----|----|---|---|---|---|---|---|---|---|---|---|
| Id               |    |       |          |    |       |   |    |    |    |    |    |    |    |    |    |    |    |    |    |    |    |    |   |   |   |   |   | D | C | B | A |   |
| Reset 0x00000000 | 0  | 0     | 0        | 0  | 0     | 0   | 0  | 0  | 0  | 0  | 0  | 0  | 0  | 0  | 0  | 0  | 0  | 0  | 0  | 0  | 0  | 0  | 0 | 0 | 0 | 0 | 0 | 0 | 0 | 0 | 0 |   |
| Id               | RW | Field | Value    | Id | Value | Description                                   |    |    |    |    |    |    |    |    |    |    |    |    |    |    |    |    |   |   |   |   |   |   |   |   |   |   |
| A                | RW | READY |          |    |       | Write '1' to Enable interrupt for READY event |    |    |    |    |    |    |    |    |    |    |    |    |    |    |    |    |   |   |   |   |   |   |   |   |   |   |
|                  |    |       |          |    |       | See <a href="#">EVENTS_READY</a>              |    |    |    |    |    |    |    |    |    |    |    |    |    |    |    |    |   |   |   |   |   |   |   |   |   |   |
|                  |    |       | Set      | 1  |       | Enable  |    |    |    |    |    |    |    |    |    |    |    |    |    |    |    |    |   |   |   |   |   |   |   |   |   |   |
|                  |    |       | Disabled | 0  |       | Read: Disabled                                |    |    |    |    |    |    |    |    |    |    |    |    |    |    |    |    |   |   |   |   |   |   |   |   |   |   |
|                  |    |       | Enabled  | 1  |       | Read: Enabled                                 |    |    |    |    |    |    |    |    |    |    |    |    |    |    |    |    |   |   |   |   |   |   |   |   |   |   |
| B                | RW | DOWN  |          |    |       | Write '1' to Enable interrupt for DOWN event  |    |    |    |    |    |    |    |    |    |    |    |    |    |    |    |    |   |   |   |   |   |   |   |   |   |   |
|                  |    |       |          |    |       | See <a href="#">EVENTS_DOWN</a>               |    |    |    |    |    |    |    |    |    |    |    |    |    |    |    |    |   |   |   |   |   |   |   |   |   |   |
|                  |    |       | Set      | 1  |       | Enable  |    |    |    |    |    |    |    |    |    |    |    |    |    |    |    |    |   |   |   |   |   |   |   |   |   |   |
|                  |    |       | Disabled | 0  |       | Read: Disabled                                |    |    |    |    |    |    |    |    |    |    |    |    |    |    |    |    |   |   |   |   |   |   |   |   |   |   |
|                  |    |       | Enabled  | 1  |       | Read: Enabled                                 |    |    |    |    |    |    |    |    |    |    |    |    |    |    |    |    |   |   |   |   |   |   |   |   |   |   |
| C                | RW | UP    |          |    |       | Write '1' to Enable interrupt for UP event    |    |    |    |    |    |    |    |    |    |    |    |    |    |    |    |    |   |   |   |   |   |   |   |   |   |   |
|                  |    |       |          |    |       | See <a href="#">EVENTS_UP</a>                 |    |    |    |    |    |    |    |    |    |    |    |    |    |    |    |    |   |   |   |   |   |   |   |   |   |   |
|                  |    |       | Set      | 1  |       | Enable  |    |    |    |    |    |    |    |    |    |    |    |    |    |    |    |    |   |   |   |   |   |   |   |   |   |   |
|                  |    |       | Disabled | 0  |       | Read: Disabled                                |    |    |    |    |    |    |    |    |    |    |    |    |    |    |    |    |   |   |   |   |   |   |   |   |   |   |
|                  |    |       | Enabled  | 1  |       | Read: Enabled                                 |    |    |    |    |    |    |    |    |    |    |    |    |    |    |    |    |   |   |   |   |   |   |   |   |   |   |
| D                | RW | CROSS |          |    |       | Write '1' to Enable interrupt for CROSS event |    |    |    |    |    |    |    |    |    |    |    |    |    |    |    |    |   |   |   |   |   |   |   |   |   |   |
|                  |    |       |          |    |       | See <a href="#">EVENTS_CROSS</a>              |    |    |    |    |    |    |    |    |    |    |    |    |    |    |    |    |   |   |   |   |   |   |   |   |   |   |
|                  |    |       | Set      | 1  |       | Enable  |    |    |    |    |    |    |    |    |    |    |    |    |    |    |    |    |   |   |   |   |   |   |   |   |   |   |
|                  |    |       | Disabled | 0  |       | Read: Disabled                                |    |    |    |    |    |    |    |    |    |    |    |    |    |    |    |    |   |   |   |   |   |   |   |   |   |   |
|                  |    |       | Enabled  | 1  |       | Read: Enabled                                 |    |    |    |    |    |    |    |    |    |    |    |    |    |    |    |    |   |   |   |   |   |   |   |   |   |   |

### 39.3.3 INTENCLR

Address offset: 0x308

Disable interrupt

| Bit number       | 31 | 30    | 29       | 28 | 27    | 26   | 25 | 24 | 23 | 22 | 21 | 20 | 19 | 18 | 17 | 16 | 15 | 14 | 13 | 12 | 11 | 10 | 9 | 8 | 7 | 6 | 5 | 4 | 3 | 2 | 1 | 0 |
|------------------|----|-------|----------|----|-------|--|----|----|----|----|----|----|----|----|----|----|----|----|----|----|----|----|---|---|---|---|---|---|---|---|---|---|
| Id               |    |       |          |    |       |  |    |    |    |    |    |    |    |    |    |    |    |    |    |    |    |    |   |   |   |   |   | D | C | B | A |   |
| Reset 0x00000000 | 0  | 0     | 0        | 0  | 0     | 0  | 0  | 0  | 0  | 0  | 0  | 0  | 0  | 0  | 0  | 0  | 0  | 0  | 0  | 0  | 0  | 0  | 0 | 0 | 0 | 0 | 0 | 0 | 0 | 0 | 0 |   |
| Id               | RW | Field | Value    | Id | Value | Description                                    |    |    |    |    |    |    |    |    |    |    |    |    |    |    |    |    |   |   |   |   |   |   |   |   |   |   |
| A                | RW | READY |          |    |       | Write '1' to Disable interrupt for READY event |    |    |    |    |    |    |    |    |    |    |    |    |    |    |    |    |   |   |   |   |   |   |   |   |   |   |
|                  |    |       |          |    |       | See <a href="#">EVENTS_READY</a>               |    |    |    |    |    |    |    |    |    |    |    |    |    |    |    |    |   |   |   |   |   |   |   |   |   |   |
|                  |    |       | Clear    | 1  |       | Disable  |    |    |    |    |    |    |    |    |    |    |    |    |    |    |    |    |   |   |   |   |   |   |   |   |   |   |
|                  |    |       | Disabled | 0  |       | Read: Disabled                                 |    |    |    |    |    |    |    |    |    |    |    |    |    |    |    |    |   |   |   |   |   |   |   |   |   |   |
|                  |    |       | Enabled  | 1  |       | Read: Enabled                                  |    |    |    |    |    |    |    |    |    |    |    |    |    |    |    |    |   |   |   |   |   |   |   |   |   |   |
| B                | RW | DOWN  |          |    |       | Write '1' to Disable interrupt for DOWN event  |    |    |    |    |    |    |    |    |    |    |    |    |    |    |    |    |   |   |   |   |   |   |   |   |   |   |
|                  |    |       |          |    |       | See <a href="#">EVENTS_DOWN</a>                |    |    |    |    |    |    |    |    |    |    |    |    |    |    |    |    |   |   |   |   |   |   |   |   |   |   |
|                  |    |       | Clear    | 1  |       | Disable  |    |    |    |    |    |    |    |    |    |    |    |    |    |    |    |    |   |   |   |   |   |   |   |   |   |   |
|                  |    |       | Disabled | 0  |       | Read: Disabled                                 |    |    |    |    |    |    |    |    |    |    |    |    |    |    |    |    |   |   |   |   |   |   |   |   |   |   |
|                  |    |       | Enabled  | 1  |       | Read: Enabled                                  |    |    |    |    |    |    |    |    |    |    |    |    |    |    |    |    |   |   |   |   |   |   |   |   |   |   |
| C                | RW | UP    |          |    |       | Write '1' to Disable interrupt for UP event    |    |    |    |    |    |    |    |    |    |    |    |    |    |    |    |    |   |   |   |   |   |   |   |   |   |   |
|                  |    |       |          |    |       | See <a href="#">EVENTS_UP</a>                  |    |    |    |    |    |    |    |    |    |    |    |    |    |    |    |    |   |   |   |   |   |   |   |   |   |   |

| Bit number       | 31 | 30    | 29       | 28 | 27    | 26   | 25 | 24 | 23 | 22 | 21 | 20 | 19 | 18 | 17 | 16 | 15 | 14 | 13 | 12 | 11 | 10 | 9 | 8 | 7 | 6 | 5 | 4 | 3 | 2 | 1 | 0 |
|------------------|----|-------|----------|----|-------|--|----|----|----|----|----|----|----|----|----|----|----|----|----|----|----|----|---|---|---|---|---|---|---|---|---|---|
| Id               |    |       |          |    |       |  |    |    |    |    |    |    |    |    |    |    | D  | C  | B  | A  |    |    |   |   |   |   |   |   |   |   |   |   |
| Reset 0x00000000 | 0  | 0     | 0        | 0  | 0     | 0  | 0  | 0  | 0  | 0  | 0  | 0  | 0  | 0  | 0  | 0  | 0  | 0  | 0  | 0  | 0  | 0  | 0 | 0 | 0 | 0 | 0 | 0 | 0 | 0 | 0 |   |
| Id               | RW | Field | Value    | Id | Value | Description                                    |    |    |    |    |    |    |    |    |    |    |    |    |    |    |    |    |   |   |   |   |   |   |   |   |   |   |
|                  |    |       | Clear    | 1  | 1     | Disable  |    |    |    |    |    |    |    |    |    |    |    |    |    |    |    |    |   |   |   |   |   |   |   |   |   |   |
|                  |    |       | Disabled | 0  | 0     | Read: Disabled                                 |    |    |    |    |    |    |    |    |    |    |    |    |    |    |    |    |   |   |   |   |   |   |   |   |   |   |
|                  |    |       | Enabled  | 1  | 1     | Read: Enabled                                  |    |    |    |    |    |    |    |    |    |    |    |    |    |    |    |    |   |   |   |   |   |   |   |   |   |   |
| D                | RW | CROSS |          |    |       | Write '1' to Disable interrupt for CROSS event |    |    |    |    |    |    |    |    |    |    |    |    |    |    |    |    |   |   |   |   |   |   |   |   |   |   |
|                  |    |       |          |    |       | See <a href="#">EVENTS_CROSS</a>               |    |    |    |    |    |    |    |    |    |    |    |    |    |    |    |    |   |   |   |   |   |   |   |   |   |   |
|                  |    |       | Clear    | 1  | 1     | Disable  |    |    |    |    |    |    |    |    |    |    |    |    |    |    |    |    |   |   |   |   |   |   |   |   |   |   |
|                  |    |       | Disabled | 0  | 0     | Read: Disabled                                 |    |    |    |    |    |    |    |    |    |    |    |    |    |    |    |    |   |   |   |   |   |   |   |   |   |   |
|                  |    |       | Enabled  | 1  | 1     | Read: Enabled                                  |    |    |    |    |    |    |    |    |    |    |    |    |    |    |    |    |   |   |   |   |   |   |   |   |   |   |

### 39.3.4 RESULT

Address offset: 0x400

Compare result

| Bit number       | 31 | 30     | 29     | 28 | 27    | 26  | 25 | 24 | 23 | 22 | 21 | 20 | 19 | 18 | 17 | 16 | 15 | 14 | 13 | 12 | 11 | 10 | 9 | 8 | 7 | 6 | 5 | 4 | 3 | 2 | 1 | 0 |
|------------------|----|--------|--------|----|-------|---|----|----|----|----|----|----|----|----|----|----|----|----|----|----|----|----|---|---|---|---|---|---|---|---|---|---|
| Id               |    |        |        |    |       |   |    |    |    |    |    |    |    |    |    |    | A  |    |    |    |    |    |   |   |   |   |   |   |   |   |   |   |
| Reset 0x00000000 | 0  | 0      | 0      | 0  | 0     | 0   | 0  | 0  | 0  | 0  | 0  | 0  | 0  | 0  | 0  | 0  | 0  | 0  | 0  | 0  | 0  | 0  | 0 | 0 | 0 | 0 | 0 | 0 | 0 | 0 | 0 |   |
| Id               | RW | Field  | Value  | Id | Value | Description   |    |    |    |    |    |    |    |    |    |    |    |    |    |    |    |    |   |   |   |   |   |   |   |   |   |   |
| A                | R  | RESULT |        |    |       | Result of last compare. Decision point SAMPLE task.   |    |    |    |    |    |    |    |    |    |    |    |    |    |    |    |    |   |   |   |   |   |   |   |   |   |   |
|                  |    |        | Bellow | 0  | 0     | Input voltage is below the reference threshold (VIN+ < VIN-). <span style="float:right">Deprecated</span> |    |    |    |    |    |    |    |    |    |    |    |    |    |    |    |    |   |   |   |   |   |   |   |   |   |   |
|                  |    |        | Below  | 0  | 0     | Input voltage is below the reference threshold (VIN+ < VIN-).   |    |    |    |    |    |    |    |    |    |    |    |    |    |    |    |    |   |   |   |   |   |   |   |   |   |   |
|                  |    |        | Above  | 1  | 1     | Input voltage is above the reference threshold (VIN+ > VIN-).   |    |    |    |    |    |    |    |    |    |    |    |    |    |    |    |    |   |   |   |   |   |   |   |   |   |   |

### 39.3.5 ENABLE

Address offset: 0x500

Enable LPCOMP

| Bit number       | 31 | 30     | 29       | 28 | 27    | 26                       | 25 | 24 | 23 | 22 | 21 | 20 | 19 | 18 | 17 | 16 | 15 | 14 | 13 | 12 | 11 | 10 | 9 | 8 | 7 | 6 | 5 | 4 | 3 | 2 | 1 | 0 |
|------------------|----|--------|----------|----|-------|--------------------------|----|----|----|----|----|----|----|----|----|----|----|----|----|----|----|----|---|---|---|---|---|---|---|---|---|---|
| Id               |    |        |          |    |       |                          |    |    |    |    |    |    |    |    |    |    | A  | A  |    |    |    |    |   |   |   |   |   |   |   |   |   |   |
| Reset 0x00000000 | 0  | 0      | 0        | 0  | 0     | 0                        | 0  | 0  | 0  | 0  | 0  | 0  | 0  | 0  | 0  | 0  | 0  | 0  | 0  | 0  | 0  | 0  | 0 | 0 | 0 | 0 | 0 | 0 | 0 | 0 | 0 |   |
| Id               | RW | Field  | Value    | Id | Value | Description              |    |    |    |    |    |    |    |    |    |    |    |    |    |    |    |    |   |   |   |   |   |   |   |   |   |   |
| A                | RW | ENABLE |          |    |       | Enable or disable LPCOMP |    |    |    |    |    |    |    |    |    |    |    |    |    |    |    |    |   |   |   |   |   |   |   |   |   |   |
|                  |    |        | Disabled | 0  | 0     | Disable                  |    |    |    |    |    |    |    |    |    |    |    |    |    |    |    |    |   |   |   |   |   |   |   |   |   |   |
|                  |    |        | Enabled  | 1  | 1     | Enable                   |    |    |    |    |    |    |    |    |    |    |    |    |    |    |    |    |   |   |   |   |   |   |   |   |   |   |

### 39.3.6 PSEL

Address offset: 0x504

Input pin select

| Bit number       | 31 | 30    | 29           | 28 | 27    | 26                            | 25 | 24 | 23 | 22 | 21 | 20 | 19 | 18 | 17 | 16 | 15 | 14 | 13 | 12 | 11 | 10 | 9 | 8 | 7 | 6 | 5 | 4 | 3 | 2 | 1 | 0 |
|------------------|----|-------|--------------|----|-------|-------------------------------|----|----|----|----|----|----|----|----|----|----|----|----|----|----|----|----|---|---|---|---|---|---|---|---|---|---|
| Id               |    |       |              |    |       |                               |    |    |    |    |    |    |    |    |    |    | A  | A  | A  |    |    |    |   |   |   |   |   |   |   |   |   |   |
| Reset 0x00000000 | 0  | 0     | 0            | 0  | 0     | 0                             | 0  | 0  | 0  | 0  | 0  | 0  | 0  | 0  | 0  | 0  | 0  | 0  | 0  | 0  | 0  | 0  | 0 | 0 | 0 | 0 | 0 | 0 | 0 | 0 | 0 |   |
| Id               | RW | Field | Value        | Id | Value | Description                   |    |    |    |    |    |    |    |    |    |    |    |    |    |    |    |    |   |   |   |   |   |   |   |   |   |   |
| A                | RW | PSEL  |              |    |       | Analog pin select             |    |    |    |    |    |    |    |    |    |    |    |    |    |    |    |    |   |   |   |   |   |   |   |   |   |   |
|                  |    |       | AnalogInput0 | 0  | 0     | AIN0 selected as analog input |    |    |    |    |    |    |    |    |    |    |    |    |    |    |    |    |   |   |   |   |   |   |   |   |   |   |
|                  |    |       | AnalogInput1 | 1  | 1     | AIN1 selected as analog input |    |    |    |    |    |    |    |    |    |    |    |    |    |    |    |    |   |   |   |   |   |   |   |   |   |   |
|                  |    |       | AnalogInput2 | 2  | 2     | AIN2 selected as analog input |    |    |    |    |    |    |    |    |    |    |    |    |    |    |    |    |   |   |   |   |   |   |   |   |   |   |
|                  |    |       | AnalogInput3 | 3  | 3     | AIN3 selected as analog input |    |    |    |    |    |    |    |    |    |    |    |    |    |    |    |    |   |   |   |   |   |   |   |   |   |   |
|                  |    |       | AnalogInput4 | 4  | 4     | AIN4 selected as analog input |    |    |    |    |    |    |    |    |    |    |    |    |    |    |    |    |   |   |   |   |   |   |   |   |   |   |
|                  |    |       | AnalogInput5 | 5  | 5     | AIN5 selected as analog input |    |    |    |    |    |    |    |    |    |    |    |    |    |    |    |    |   |   |   |   |   |   |   |   |   |   |
|                  |    |       | AnalogInput6 | 6  | 6     | AIN6 selected as analog input |    |    |    |    |    |    |    |    |    |    |    |    |    |    |    |    |   |   |   |   |   |   |   |   |   |   |
|                  |    |       | AnalogInput7 | 7  | 7     | AIN7 selected as analog input |    |    |    |    |    |    |    |    |    |    |    |    |    |    |    |    |   |   |   |   |   |   |   |   |   |   |

### 39.3.7 REFSEL

Address offset: 0x508

Reference select

| Bit number       | 31 | 30     | 29          | 28    | 27                                 | 26 | 25 | 24 | 23 | 22 | 21 | 20 | 19 | 18 | 17 | 16 | 15      | 14 | 13 | 12 | 11 | 10 | 9 | 8 | 7 | 6 | 5 | 4 | 3 | 2 | 1 | 0 |
|------------------|----|--------|-------------|-------|------------------------------------|----|----|----|----|----|----|----|----|----|----|----|---------|----|----|----|----|----|---|---|---|---|---|---|---|---|---|---|
| Id               |    |        |             |       |                                    |    |    |    |    |    |    |    |    |    |    |    | A A A A |    |    |    |    |    |   |   |   |   |   |   |   |   |   |   |
| Reset 0x00000004 | 0  | 0      | 0           | 0     | 0                                  | 0  | 0  | 0  | 0  | 0  | 0  | 0  | 0  | 0  | 0  | 0  | 0       | 0  | 0  | 0  | 0  | 0  | 0 | 0 | 0 | 0 | 0 | 0 | 0 | 1 | 0 | 0 |
| Id               | RW | Field  | Value Id    | Value | Description                        |    |    |    |    |    |    |    |    |    |    |    |         |    |    |    |    |    |   |   |   |   |   |   |   |   |   |   |
| A                | RW | REFSEL |             |       | Reference select                   |    |    |    |    |    |    |    |    |    |    |    |         |    |    |    |    |    |   |   |   |   |   |   |   |   |   |   |
|                  |    |        | Ref1_8Vdd   | 0     | VDD * 1/8 selected as reference    |    |    |    |    |    |    |    |    |    |    |    |         |    |    |    |    |    |   |   |   |   |   |   |   |   |   |   |
|                  |    |        | Ref2_8Vdd   | 1     | VDD * 2/8 selected as reference    |    |    |    |    |    |    |    |    |    |    |    |         |    |    |    |    |    |   |   |   |   |   |   |   |   |   |   |
|                  |    |        | Ref3_8Vdd   | 2     | VDD * 3/8 selected as reference    |    |    |    |    |    |    |    |    |    |    |    |         |    |    |    |    |    |   |   |   |   |   |   |   |   |   |   |
|                  |    |        | Ref4_8Vdd   | 3     | VDD * 4/8 selected as reference    |    |    |    |    |    |    |    |    |    |    |    |         |    |    |    |    |    |   |   |   |   |   |   |   |   |   |   |
|                  |    |        | Ref5_8Vdd   | 4     | VDD * 5/8 selected as reference    |    |    |    |    |    |    |    |    |    |    |    |         |    |    |    |    |    |   |   |   |   |   |   |   |   |   |   |
|                  |    |        | Ref6_8Vdd   | 5     | VDD * 6/8 selected as reference    |    |    |    |    |    |    |    |    |    |    |    |         |    |    |    |    |    |   |   |   |   |   |   |   |   |   |   |
|                  |    |        | Ref7_8Vdd   | 6     | VDD * 7/8 selected as reference    |    |    |    |    |    |    |    |    |    |    |    |         |    |    |    |    |    |   |   |   |   |   |   |   |   |   |   |
|                  |    |        | ARef        | 7     | External analog reference selected |    |    |    |    |    |    |    |    |    |    |    |         |    |    |    |    |    |   |   |   |   |   |   |   |   |   |   |
|                  |    |        | Ref1_16Vdd  | 8     | VDD * 1/16 selected as reference   |    |    |    |    |    |    |    |    |    |    |    |         |    |    |    |    |    |   |   |   |   |   |   |   |   |   |   |
|                  |    |        | Ref3_16Vdd  | 9     | VDD * 3/16 selected as reference   |    |    |    |    |    |    |    |    |    |    |    |         |    |    |    |    |    |   |   |   |   |   |   |   |   |   |   |
|                  |    |        | Ref5_16Vdd  | 10    | VDD * 5/16 selected as reference   |    |    |    |    |    |    |    |    |    |    |    |         |    |    |    |    |    |   |   |   |   |   |   |   |   |   |   |
|                  |    |        | Ref7_16Vdd  | 11    | VDD * 7/16 selected as reference   |    |    |    |    |    |    |    |    |    |    |    |         |    |    |    |    |    |   |   |   |   |   |   |   |   |   |   |
|                  |    |        | Ref9_16Vdd  | 12    | VDD * 9/16 selected as reference   |    |    |    |    |    |    |    |    |    |    |    |         |    |    |    |    |    |   |   |   |   |   |   |   |   |   |   |
|                  |    |        | Ref11_16Vdd | 13    | VDD * 11/16 selected as reference  |    |    |    |    |    |    |    |    |    |    |    |         |    |    |    |    |    |   |   |   |   |   |   |   |   |   |   |
|                  |    |        | Ref13_16Vdd | 14    | VDD * 13/16 selected as reference  |    |    |    |    |    |    |    |    |    |    |    |         |    |    |    |    |    |   |   |   |   |   |   |   |   |   |   |
|                  |    |        | Ref15_16Vdd | 15    | VDD * 15/16 selected as reference  |    |    |    |    |    |    |    |    |    |    |    |         |    |    |    |    |    |   |   |   |   |   |   |   |   |   |   |

### 39.3.8 EXTREFSEL

Address offset: 0x50C

External reference select

| Bit number       | 31 | 30        | 29               | 28    | 27                                    | 26 | 25 | 24 | 23 | 22 | 21 | 20 | 19 | 18 | 17 | 16 | 15 | 14 | 13 | 12 | 11 | 10 | 9 | 8 | 7 | 6 | 5 | 4 | 3 | 2 | 1 | 0 |
|------------------|----|-----------|------------------|-------|---------------------------------------|----|----|----|----|----|----|----|----|----|----|----|----|----|----|----|----|----|---|---|---|---|---|---|---|---|---|---|
| Id               |    |           |                  |       |                                       |    |    |    |    |    |    |    |    |    |    |    | A  |    |    |    |    |    |   |   |   |   |   |   |   |   |   |   |
| Reset 0x00000000 | 0  | 0         | 0                | 0     | 0                                     | 0  | 0  | 0  | 0  | 0  | 0  | 0  | 0  | 0  | 0  | 0  | 0  | 0  | 0  | 0  | 0  | 0  | 0 | 0 | 0 | 0 | 0 | 0 | 0 | 0 | 0 |   |
| Id               | RW | Field     | Value Id         | Value | Description                           |    |    |    |    |    |    |    |    |    |    |    |    |    |    |    |    |    |   |   |   |   |   |   |   |   |   |   |
| A                | RW | EXTREFSEL |                  |       | External analog reference select      |    |    |    |    |    |    |    |    |    |    |    |    |    |    |    |    |    |   |   |   |   |   |   |   |   |   |   |
|                  |    |           | AnalogReference0 | 0     | Use AIN0 as external analog reference |    |    |    |    |    |    |    |    |    |    |    |    |    |    |    |    |    |   |   |   |   |   |   |   |   |   |   |
|                  |    |           | AnalogReference1 | 1     | Use AIN1 as external analog reference |    |    |    |    |    |    |    |    |    |    |    |    |    |    |    |    |    |   |   |   |   |   |   |   |   |   |   |

### 39.3.9 ANADETECT

Address offset: 0x520

Analog detect configuration

| Bit number       | 31 | 30        | 29       | 28    | 27   | 26 | 25 | 24 | 23 | 22 | 21 | 20 | 19 | 18 | 17 | 16 | 15  | 14 | 13 | 12 | 11 | 10 | 9 | 8 | 7 | 6 | 5 | 4 | 3 | 2 | 1 | 0 |
|------------------|----|-----------|----------|-------|--|----|----|----|----|----|----|----|----|----|----|----|-----|----|----|----|----|----|---|---|---|---|---|---|---|---|---|---|
| Id               |    |           |          |       |  |    |    |    |    |    |    |    |    |    |    |    | A A |    |    |    |    |    |   |   |   |   |   |   |   |   |   |   |
| Reset 0x00000000 | 0  | 0         | 0        | 0     | 0  | 0  | 0  | 0  | 0  | 0  | 0  | 0  | 0  | 0  | 0  | 0  | 0   | 0  | 0  | 0  | 0  | 0  | 0 | 0 | 0 | 0 | 0 | 0 | 0 | 0 | 0 |   |
| Id               | RW | Field     | Value Id | Value | Description  |    |    |    |    |    |    |    |    |    |    |    |     |    |    |    |    |    |   |   |   |   |   |   |   |   |   |   |
| A                | RW | ANADETECT |          |       | Analog detect configuration  |    |    |    |    |    |    |    |    |    |    |    |     |    |    |    |    |    |   |   |   |   |   |   |   |   |   |   |
|                  |    |           | Cross    | 0     | Generate ANADETECT on crossing, both upward crossing and downward crossing |    |    |    |    |    |    |    |    |    |    |    |     |    |    |    |    |    |   |   |   |   |   |   |   |   |   |   |
|                  |    |           | Up       | 1     | Generate ANADETECT on upward crossing only                                 |    |    |    |    |    |    |    |    |    |    |    |     |    |    |    |    |    |   |   |   |   |   |   |   |   |   |   |
|                  |    |           | Down     | 2     | Generate ANADETECT on downward crossing only                               |    |    |    |    |    |    |    |    |    |    |    |     |    |    |    |    |    |   |   |   |   |   |   |   |   |   |   |

### 39.3.10 HYST

Address offset: 0x538

Comparator hysteresis enable



|                  |    |    |    |    |    |    |    |    |    |    |    |    |    |    |    |    |    |    |    |    |    |    |   |   |   |   |   |   |   |   |   |   |
|------------------|----|----|----|----|----|----|----|----|----|----|----|----|----|----|----|----|----|----|----|----|----|----|---|---|---|---|---|---|---|---|---|---|
| Bit number       | 31 | 30 | 29 | 28 | 27 | 26 | 25 | 24 | 23 | 22 | 21 | 20 | 19 | 18 | 17 | 16 | 15 | 14 | 13 | 12 | 11 | 10 | 9 | 8 | 7 | 6 | 5 | 4 | 3 | 2 | 1 | 0 |
| Id               |    |    |    |    |    |    |    |    |    |    |    |    |    |    |    |    |    |    |    |    |    |    |   |   |   |   |   | A |   |   |   |   |
| Reset 0x00000000 | 0  | 0  | 0  | 0  | 0  | 0  | 0  | 0  | 0  | 0  | 0  | 0  | 0  | 0  | 0  | 0  | 0  | 0  | 0  | 0  | 0  | 0  | 0 | 0 | 0 | 0 | 0 | 0 | 0 | 0 | 0 | 0 |

| Id | RW | Field | Value Id | Value | Description                                 |
|----|----|-------|----------|-------|---|
| A  | RW | HYST  |          |       | Comparator hysteresis enable                |
|    |    |       | NoHyst   | 0     | Comparator hysteresis disabled              |
|    |    |       | Hyst50mV | 1     | Comparator hysteresis disabled (typ. 50 mV) |

## 39.4 Electrical specification

### 39.4.1 LPCOMP Electrical Specification

| Symbol          | Description  | Min. | Typ. | Max. | Units   |
|-----------------|--|------|------|------|---------|
| $I_{LPC}$       | Run current for low power comparator   |      | 0.5  |      | $\mu A$ |
| $t_{LPCANADET}$ | Time from VIN crossing ( $\geq 50mV$ above threshold) to ANADETECT signal generated. |      | 5    |      | $\mu s$ |
| $E_{REFLADDER}$ | Error in reference ladder threshold voltage  | -30  |      | 30   | mV      |
| $V_{HYST}$      | Optional hysteresis  |      | 30   |      | mV      |

## 40 WDT — Watchdog timer

A countdown watchdog timer using the low-frequency clock source (LFCLK) offers configurable and robust protection against application lock-up.

The watchdog timer is started by triggering the START task.

The watchdog can be paused during long CPU sleep periods for low power applications and when the debugger has halted the CPU. The watchdog is implemented as a down-counter that generates a TIMEOUT event when it wraps over after counting down to 0. When the watchdog timer is started through the START task, the watchdog counter is loaded with the value specified in the CRV register. This counter is also reloaded with the value specified in the CRV register when a reload request is granted.

The watchdog's timeout period is given by:

$$\text{timeout [s]} = (\text{CRV} + 1) / 32768$$

When started, the watchdog will automatically force the 32.768 kHz RC oscillator on as long as no other 32.768 kHz clock source is running and generating the 32.768 kHz system clock, see chapter [CLOCK — Clock control](#) on page 101.

### 40.1 Reload criteria

The watchdog has eight separate reload request registers, which shall be used to request the watchdog to reload its counter with the value specified in the CRV register. To reload the watchdog counter, the special value 0x6E524635 needs to be written to all enabled reload registers.

One or more RR registers can be individually enabled through the RREN register.

### 40.2 Temporarily pausing the watchdog

By default, the watchdog will be active counting down the down-counter while the CPU is sleeping and when it is halted by the debugger. It is however possible to configure the watchdog to automatically pause while the CPU is sleeping as well as when it is halted by the debugger.

### 40.3 Watchdog reset

A TIMEOUT event will automatically lead to a watchdog reset.

See [Reset](#) on page 82 for more information about reset sources. If the watchdog is configured to generate an interrupt on the TIMEOUT event, the watchdog reset will be postponed with two 32.768 kHz clock cycles after the TIMEOUT event has been generated. Once the TIMEOUT event has been generated, the impending watchdog reset will always be effectuated.

The watchdog must be configured before it is started. After it is started, the watchdog's configuration registers, which comprise registers CRV, RREN, and CONFIG, will be blocked for further configuration.

The watchdog can be reset from several reset sources, see [Reset behavior](#) on page 83.

When the device starts running again, after a reset, or waking up from OFF mode, the watchdog configuration registers will be available for configuration again.

## 40.4 Registers

**Table 95: Instances**

| Base address | Peripheral | Instance | Description    | Configuration |
|--------------|------------|----------|----------------|---------------|
| 0x40010000   | WDT        | WDT      | Watchdog timer |               |

**Table 96: Register Overview**

| Register         | Offset | Description                                  |
|------------------|--------|--|
| TASKS_START      | 0x000  | Start the watchdog                           |
| EVENTS_TIMEOUT   | 0x100  | Watchdog timeout                             |
| <i>INTENSET</i>  | 0x304  | Enable interrupt                             |
| <i>INTENCLR</i>  | 0x308  | Disable interrupt                            |
| <i>RUNSTATUS</i> | 0x400  | Run status                                   |
| <i>REQSTATUS</i> | 0x404  | Request status                               |
| <i>CRV</i>       | 0x504  | Counter reload value                         |
| <i>RREN</i>      | 0x508  | Enable register for reload request registers |
| <i>CONFIG</i>    | 0x50C  | Configuration register                       |
| <i>RR[0]</i>     | 0x600  | Reload request 0                             |
| <i>RR[1]</i>     | 0x604  | Reload request 1                             |
| <i>RR[2]</i>     | 0x608  | Reload request 2                             |
| <i>RR[3]</i>     | 0x60C  | Reload request 3                             |
| <i>RR[4]</i>     | 0x610  | Reload request 4                             |
| <i>RR[5]</i>     | 0x614  | Reload request 5                             |
| <i>RR[6]</i>     | 0x618  | Reload request 6                             |
| <i>RR[7]</i>     | 0x61C  | Reload request 7                             |

### 40.4.1 INTENSET

Address offset: 0x304

Enable interrupt

| Bit number       | 31 | 30      | 29       | 28 | 27    | 26  | 25 | 24 | 23 | 22 | 21 | 20 | 19 | 18 | 17 | 16 | 15 | 14 | 13 | 12 | 11 | 10 | 9 | 8 | 7 | 6 | 5 | 4 | 3 | 2 | 1 | 0 |
|------------------|----|---------|----------|----|-------|---|----|----|----|----|----|----|----|----|----|----|----|----|----|----|----|----|---|---|---|---|---|---|---|---|---|---|
| Id               |    |         |          |    |       |   |    |    |    |    |    |    |    |    |    |    |    |    |    |    |    |    |   |   |   |   | A |   |   |   |   |   |
| Reset 0x00000000 | 0  | 0       | 0        | 0  | 0     | 0   | 0  | 0  | 0  | 0  | 0  | 0  | 0  | 0  | 0  | 0  | 0  | 0  | 0  | 0  | 0  | 0  | 0 | 0 | 0 | 0 | 0 | 0 | 0 | 0 | 0 |   |
| Id               | RW | Field   | Value    | Id | Value | Description                                     |    |    |    |    |    |    |    |    |    |    |    |    |    |    |    |    |   |   |   |   |   |   |   |   |   |   |
| A                | RW | TIMEOUT |          |    |       | Write '1' to Enable interrupt for TIMEOUT event |    |    |    |    |    |    |    |    |    |    |    |    |    |    |    |    |   |   |   |   |   |   |   |   |   |   |
|                  |    |         |          |    |       | See <a href="#">EVENTS_TIMEOUT</a>              |    |    |    |    |    |    |    |    |    |    |    |    |    |    |    |    |   |   |   |   |   |   |   |   |   |   |
|                  |    |         | Set      |    | 1     | Enable  |    |    |    |    |    |    |    |    |    |    |    |    |    |    |    |    |   |   |   |   |   |   |   |   |   |   |
|                  |    |         | Disabled |    | 0     | Read: Disabled                                  |    |    |    |    |    |    |    |    |    |    |    |    |    |    |    |    |   |   |   |   |   |   |   |   |   |   |
|                  |    |         | Enabled  |    | 1     | Read: Enabled                                   |    |    |    |    |    |    |    |    |    |    |    |    |    |    |    |    |   |   |   |   |   |   |   |   |   |   |

### 40.4.2 INTENCLR

Address offset: 0x308

Disable interrupt

| Bit number       | 31 | 30      | 29       | 28 | 27    | 26   | 25 | 24 | 23 | 22 | 21 | 20 | 19 | 18 | 17 | 16 | 15 | 14 | 13 | 12 | 11 | 10 | 9 | 8 | 7 | 6 | 5 | 4 | 3 | 2 | 1 | 0 |
|------------------|----|---------|----------|----|-------|--|----|----|----|----|----|----|----|----|----|----|----|----|----|----|----|----|---|---|---|---|---|---|---|---|---|---|
| Id               |    |         |          |    |       |  |    |    |    |    |    |    |    |    |    |    |    |    |    |    |    |    |   |   |   |   | A |   |   |   |   |   |
| Reset 0x00000000 | 0  | 0       | 0        | 0  | 0     | 0  | 0  | 0  | 0  | 0  | 0  | 0  | 0  | 0  | 0  | 0  | 0  | 0  | 0  | 0  | 0  | 0  | 0 | 0 | 0 | 0 | 0 | 0 | 0 | 0 | 0 |   |
| Id               | RW | Field   | Value    | Id | Value | Description                                      |    |    |    |    |    |    |    |    |    |    |    |    |    |    |    |    |   |   |   |   |   |   |   |   |   |   |
| A                | RW | TIMEOUT |          |    |       | Write '1' to Disable interrupt for TIMEOUT event |    |    |    |    |    |    |    |    |    |    |    |    |    |    |    |    |   |   |   |   |   |   |   |   |   |   |
|                  |    |         |          |    |       | See <a href="#">EVENTS_TIMEOUT</a>               |    |    |    |    |    |    |    |    |    |    |    |    |    |    |    |    |   |   |   |   |   |   |   |   |   |   |
|                  |    |         | Clear    |    | 1     | Disable  |    |    |    |    |    |    |    |    |    |    |    |    |    |    |    |    |   |   |   |   |   |   |   |   |   |   |
|                  |    |         | Disabled |    | 0     | Read: Disabled                                   |    |    |    |    |    |    |    |    |    |    |    |    |    |    |    |    |   |   |   |   |   |   |   |   |   |   |
|                  |    |         | Enabled  |    | 1     | Read: Enabled                                    |    |    |    |    |    |    |    |    |    |    |    |    |    |    |    |    |   |   |   |   |   |   |   |   |   |   |

### 40.4.3 RUNSTATUS

Address offset: 0x400

Run status

| Bit number       | 31 30 29 28 27 26 25 24 23 22 21 20 19 18 17 16 15 14 13 12 11 10 9 8 7 6 5 4 3 2 1 0 |           |            |       |  |  |  |  |  |  |  |  |  |  |  |  |  |  |  |  |  |  |  |  |  |  |  |  |  |  |  |
|------------------|---|-----------|------------|-------|--|--|--|--|--|--|--|--|--|--|--|--|--|--|--|--|--|--|--|--|--|--|--|--|--|--|--|
| Id               | A   |           |            |       |  |  |  |  |  |  |  |  |  |  |  |  |  |  |  |  |  |  |  |  |  |  |  |  |  |  |  |
| Reset 0x00000000 | 0             |           |            |       |  |  |  |  |  |  |  |  |  |  |  |  |  |  |  |  |  |  |  |  |  |  |  |  |  |  |  |
| Id               | RW  | Field     | Value Id   | Value | Description                                      |  |  |  |  |  |  |  |  |  |  |  |  |  |  |  |  |  |  |  |  |  |  |  |  |  |  |
| A                | R   | RUNSTATUS |            |       | Indicates whether or not the watchdog is running |  |  |  |  |  |  |  |  |  |  |  |  |  |  |  |  |  |  |  |  |  |  |  |  |  |  |
|                  |   |           | NotRunning | 0     | Watchdog not running                             |  |  |  |  |  |  |  |  |  |  |  |  |  |  |  |  |  |  |  |  |  |  |  |  |  |  |
|                  |   |           | Running    | 1     | Watchdog is running                              |  |  |  |  |  |  |  |  |  |  |  |  |  |  |  |  |  |  |  |  |  |  |  |  |  |  |

### 40.4.4 REQSTATUS

Address offset: 0x404

Request status

| Bit number       | 31 30 29 28 27 26 25 24 23 22 21 20 19 18 17 16 15 14 13 12 11 10 9 8 7 6 5 4 3 2 1 0 |       |                       |       |   |  |  |  |  |  |  |  |  |  |  |  |  |  |  |  |  |  |  |  |  |  |  |  |  |  |  |
|------------------|---|-------|-----------------------|-------|---|--|--|--|--|--|--|--|--|--|--|--|--|--|--|--|--|--|--|--|--|--|--|--|--|--|--|
| Id               | H G F E D C B A   |       |                       |       |   |  |  |  |  |  |  |  |  |  |  |  |  |  |  |  |  |  |  |  |  |  |  |  |  |  |  |
| Reset 0x00000001 | 0 1             |       |                       |       |   |  |  |  |  |  |  |  |  |  |  |  |  |  |  |  |  |  |  |  |  |  |  |  |  |  |  |
| Id               | RW  | Field | Value Id              | Value | Description   |  |  |  |  |  |  |  |  |  |  |  |  |  |  |  |  |  |  |  |  |  |  |  |  |  |  |
| A                | R   | RR0   |                       |       | Request status for RR[0] register                               |  |  |  |  |  |  |  |  |  |  |  |  |  |  |  |  |  |  |  |  |  |  |  |  |  |  |
|                  |   |       | DisabledOrRequested   | 0     | RR[0] register is not enabled, or are already requesting reload |  |  |  |  |  |  |  |  |  |  |  |  |  |  |  |  |  |  |  |  |  |  |  |  |  |  |
|                  |   |       | EnabledAndUnrequested | 1     | RR[0] register is enabled, and are not yet requesting reload    |  |  |  |  |  |  |  |  |  |  |  |  |  |  |  |  |  |  |  |  |  |  |  |  |  |  |
| B                | R   | RR1   |                       |       | Request status for RR[1] register                               |  |  |  |  |  |  |  |  |  |  |  |  |  |  |  |  |  |  |  |  |  |  |  |  |  |  |
|                  |   |       | DisabledOrRequested   | 0     | RR[1] register is not enabled, or are already requesting reload |  |  |  |  |  |  |  |  |  |  |  |  |  |  |  |  |  |  |  |  |  |  |  |  |  |  |
|                  |   |       | EnabledAndUnrequested | 1     | RR[1] register is enabled, and are not yet requesting reload    |  |  |  |  |  |  |  |  |  |  |  |  |  |  |  |  |  |  |  |  |  |  |  |  |  |  |
| C                | R   | RR2   |                       |       | Request status for RR[2] register                               |  |  |  |  |  |  |  |  |  |  |  |  |  |  |  |  |  |  |  |  |  |  |  |  |  |  |
|                  |   |       | DisabledOrRequested   | 0     | RR[2] register is not enabled, or are already requesting reload |  |  |  |  |  |  |  |  |  |  |  |  |  |  |  |  |  |  |  |  |  |  |  |  |  |  |
|                  |   |       | EnabledAndUnrequested | 1     | RR[2] register is enabled, and are not yet requesting reload    |  |  |  |  |  |  |  |  |  |  |  |  |  |  |  |  |  |  |  |  |  |  |  |  |  |  |
| D                | R   | RR3   |                       |       | Request status for RR[3] register                               |  |  |  |  |  |  |  |  |  |  |  |  |  |  |  |  |  |  |  |  |  |  |  |  |  |  |
|                  |   |       | DisabledOrRequested   | 0     | RR[3] register is not enabled, or are already requesting reload |  |  |  |  |  |  |  |  |  |  |  |  |  |  |  |  |  |  |  |  |  |  |  |  |  |  |
|                  |   |       | EnabledAndUnrequested | 1     | RR[3] register is enabled, and are not yet requesting reload    |  |  |  |  |  |  |  |  |  |  |  |  |  |  |  |  |  |  |  |  |  |  |  |  |  |  |
| E                | R   | RR4   |                       |       | Request status for RR[4] register                               |  |  |  |  |  |  |  |  |  |  |  |  |  |  |  |  |  |  |  |  |  |  |  |  |  |  |
|                  |   |       | DisabledOrRequested   | 0     | RR[4] register is not enabled, or are already requesting reload |  |  |  |  |  |  |  |  |  |  |  |  |  |  |  |  |  |  |  |  |  |  |  |  |  |  |
|                  |   |       | EnabledAndUnrequested | 1     | RR[4] register is enabled, and are not yet requesting reload    |  |  |  |  |  |  |  |  |  |  |  |  |  |  |  |  |  |  |  |  |  |  |  |  |  |  |
| F                | R   | RR5   |                       |       | Request status for RR[5] register                               |  |  |  |  |  |  |  |  |  |  |  |  |  |  |  |  |  |  |  |  |  |  |  |  |  |  |
|                  |   |       | DisabledOrRequested   | 0     | RR[5] register is not enabled, or are already requesting reload |  |  |  |  |  |  |  |  |  |  |  |  |  |  |  |  |  |  |  |  |  |  |  |  |  |  |
|                  |   |       | EnabledAndUnrequested | 1     | RR[5] register is enabled, and are not yet requesting reload    |  |  |  |  |  |  |  |  |  |  |  |  |  |  |  |  |  |  |  |  |  |  |  |  |  |  |
| G                | R   | RR6   |                       |       | Request status for RR[6] register                               |  |  |  |  |  |  |  |  |  |  |  |  |  |  |  |  |  |  |  |  |  |  |  |  |  |  |
|                  |   |       | DisabledOrRequested   | 0     | RR[6] register is not enabled, or are already requesting reload |  |  |  |  |  |  |  |  |  |  |  |  |  |  |  |  |  |  |  |  |  |  |  |  |  |  |
|                  |   |       | EnabledAndUnrequested | 1     | RR[6] register is enabled, and are not yet requesting reload    |  |  |  |  |  |  |  |  |  |  |  |  |  |  |  |  |  |  |  |  |  |  |  |  |  |  |
| H                | R   | RR7   |                       |       | Request status for RR[7] register                               |  |  |  |  |  |  |  |  |  |  |  |  |  |  |  |  |  |  |  |  |  |  |  |  |  |  |
|                  |   |       | DisabledOrRequested   | 0     | RR[7] register is not enabled, or are already requesting reload |  |  |  |  |  |  |  |  |  |  |  |  |  |  |  |  |  |  |  |  |  |  |  |  |  |  |
|                  |   |       | EnabledAndUnrequested | 1     | RR[7] register is enabled, and are not yet requesting reload    |  |  |  |  |  |  |  |  |  |  |  |  |  |  |  |  |  |  |  |  |  |  |  |  |  |  |

### 40.4.5 CRV

Address offset: 0x504

Counter reload value

| Bit number       | 31 30 29 28 27 26 25 24 23 22 21 20 19 18 17 16 15 14 13 12 11 10 9 8 7 6 5 4 3 2 1 0 |       |          |                          |  |  |  |  |  |  |  |  |  |  |  |  |  |  |  |  |  |  |  |  |  |  |  |  |  |  |  |
|------------------|---|-------|----------|--------------------------|--|--|--|--|--|--|--|--|--|--|--|--|--|--|--|--|--|--|--|--|--|--|--|--|--|--|--|
| Id               | A                   |       |          |                          |  |  |  |  |  |  |  |  |  |  |  |  |  |  |  |  |  |  |  |  |  |  |  |  |  |  |  |
| Reset 0xFFFFFFFF | 1             |       |          |                          |  |  |  |  |  |  |  |  |  |  |  |  |  |  |  |  |  |  |  |  |  |  |  |  |  |  |  |
| Id               | RW  | Field | Value Id | Value                    | Description  |  |  |  |  |  |  |  |  |  |  |  |  |  |  |  |  |  |  |  |  |  |  |  |  |  |  |
| A                | RW  | CRV   |          | [0x0000000F..0xFFFFFFFF] | Counter reload value in number of cycles of the 32.768 kHz clock |  |  |  |  |  |  |  |  |  |  |  |  |  |  |  |  |  |  |  |  |  |  |  |  |  |  |

### 40.4.6 RREN

Address offset: 0x508

Enable register for reload request registers

| Bit number       | 31 30 29 28 27 26 25 24 23 22 21 20 19 18 17 16 15 14 13 12 11 10 9 8 7 6 5 4 3 2 1 0 |       |          |       |                                  |  |  |  |  |  |  |  |  |  |  |  |  |  |  |  |  |  |  |  |  |  |  |  |  |  |   |   |   |   |   |   |   |   |
|------------------|---|-------|----------|-------|----------------------------------|--|--|--|--|--|--|--|--|--|--|--|--|--|--|--|--|--|--|--|--|--|--|--|--|--|---|---|---|---|---|---|---|---|
| Id               |   |       |          |       |                                  |  |  |  |  |  |  |  |  |  |  |  |  |  |  |  |  |  |  |  |  |  |  |  |  |  | H | G | F | E | D | C | B | A |
| Reset 0x00000001 | 0 1           |       |          |       |                                  |  |  |  |  |  |  |  |  |  |  |  |  |  |  |  |  |  |  |  |  |  |  |  |  |  |   |   |   |   |   |   |   |   |
| Id               | RW  | Field | Value Id | Value | Description                      |  |  |  |  |  |  |  |  |  |  |  |  |  |  |  |  |  |  |  |  |  |  |  |  |  |   |   |   |   |   |   |   |   |
| A                | RW  | RR0   |          |       | Enable or disable RR[0] register |  |  |  |  |  |  |  |  |  |  |  |  |  |  |  |  |  |  |  |  |  |  |  |  |  |   |   |   |   |   |   |   |   |
|                  |   |       | Disabled | 0     | Disable RR[0] register           |  |  |  |  |  |  |  |  |  |  |  |  |  |  |  |  |  |  |  |  |  |  |  |  |  |   |   |   |   |   |   |   |   |
|                  |   |       | Enabled  | 1     | Enable RR[0] register            |  |  |  |  |  |  |  |  |  |  |  |  |  |  |  |  |  |  |  |  |  |  |  |  |  |   |   |   |   |   |   |   |   |
| B                | RW  | RR1   |          |       | Enable or disable RR[1] register |  |  |  |  |  |  |  |  |  |  |  |  |  |  |  |  |  |  |  |  |  |  |  |  |  |   |   |   |   |   |   |   |   |
|                  |   |       | Disabled | 0     | Disable RR[1] register           |  |  |  |  |  |  |  |  |  |  |  |  |  |  |  |  |  |  |  |  |  |  |  |  |  |   |   |   |   |   |   |   |   |
|                  |   |       | Enabled  | 1     | Enable RR[1] register            |  |  |  |  |  |  |  |  |  |  |  |  |  |  |  |  |  |  |  |  |  |  |  |  |  |   |   |   |   |   |   |   |   |
| C                | RW  | RR2   |          |       | Enable or disable RR[2] register |  |  |  |  |  |  |  |  |  |  |  |  |  |  |  |  |  |  |  |  |  |  |  |  |  |   |   |   |   |   |   |   |   |
|                  |   |       | Disabled | 0     | Disable RR[2] register           |  |  |  |  |  |  |  |  |  |  |  |  |  |  |  |  |  |  |  |  |  |  |  |  |  |   |   |   |   |   |   |   |   |
|                  |   |       | Enabled  | 1     | Enable RR[2] register            |  |  |  |  |  |  |  |  |  |  |  |  |  |  |  |  |  |  |  |  |  |  |  |  |  |   |   |   |   |   |   |   |   |
| D                | RW  | RR3   |          |       | Enable or disable RR[3] register |  |  |  |  |  |  |  |  |  |  |  |  |  |  |  |  |  |  |  |  |  |  |  |  |  |   |   |   |   |   |   |   |   |
|                  |   |       | Disabled | 0     | Disable RR[3] register           |  |  |  |  |  |  |  |  |  |  |  |  |  |  |  |  |  |  |  |  |  |  |  |  |  |   |   |   |   |   |   |   |   |
|                  |   |       | Enabled  | 1     | Enable RR[3] register            |  |  |  |  |  |  |  |  |  |  |  |  |  |  |  |  |  |  |  |  |  |  |  |  |  |   |   |   |   |   |   |   |   |
| E                | RW  | RR4   |          |       | Enable or disable RR[4] register |  |  |  |  |  |  |  |  |  |  |  |  |  |  |  |  |  |  |  |  |  |  |  |  |  |   |   |   |   |   |   |   |   |
|                  |   |       | Disabled | 0     | Disable RR[4] register           |  |  |  |  |  |  |  |  |  |  |  |  |  |  |  |  |  |  |  |  |  |  |  |  |  |   |   |   |   |   |   |   |   |
|                  |   |       | Enabled  | 1     | Enable RR[4] register            |  |  |  |  |  |  |  |  |  |  |  |  |  |  |  |  |  |  |  |  |  |  |  |  |  |   |   |   |   |   |   |   |   |
| F                | RW  | RR5   |          |       | Enable or disable RR[5] register |  |  |  |  |  |  |  |  |  |  |  |  |  |  |  |  |  |  |  |  |  |  |  |  |  |   |   |   |   |   |   |   |   |
|                  |   |       | Disabled | 0     | Disable RR[5] register           |  |  |  |  |  |  |  |  |  |  |  |  |  |  |  |  |  |  |  |  |  |  |  |  |  |   |   |   |   |   |   |   |   |
|                  |   |       | Enabled  | 1     | Enable RR[5] register            |  |  |  |  |  |  |  |  |  |  |  |  |  |  |  |  |  |  |  |  |  |  |  |  |  |   |   |   |   |   |   |   |   |
| G                | RW  | RR6   |          |       | Enable or disable RR[6] register |  |  |  |  |  |  |  |  |  |  |  |  |  |  |  |  |  |  |  |  |  |  |  |  |  |   |   |   |   |   |   |   |   |
|                  |   |       | Disabled | 0     | Disable RR[6] register           |  |  |  |  |  |  |  |  |  |  |  |  |  |  |  |  |  |  |  |  |  |  |  |  |  |   |   |   |   |   |   |   |   |
|                  |   |       | Enabled  | 1     | Enable RR[6] register            |  |  |  |  |  |  |  |  |  |  |  |  |  |  |  |  |  |  |  |  |  |  |  |  |  |   |   |   |   |   |   |   |   |
| H                | RW  | RR7   |          |       | Enable or disable RR[7] register |  |  |  |  |  |  |  |  |  |  |  |  |  |  |  |  |  |  |  |  |  |  |  |  |  |   |   |   |   |   |   |   |   |
|                  |   |       | Disabled | 0     | Disable RR[7] register           |  |  |  |  |  |  |  |  |  |  |  |  |  |  |  |  |  |  |  |  |  |  |  |  |  |   |   |   |   |   |   |   |   |
|                  |   |       | Enabled  | 1     | Enable RR[7] register            |  |  |  |  |  |  |  |  |  |  |  |  |  |  |  |  |  |  |  |  |  |  |  |  |  |   |   |   |   |   |   |   |   |

### 40.4.7 CONFIG

Address offset: 0x50C

Configuration register

| Bit number       | 31 30 29 28 27 26 25 24 23 22 21 20 19 18 17 16 15 14 13 12 11 10 9 8 7 6 5 4 3 2 1 0 |       |          |       |  |  |  |  |  |  |  |  |  |  |  |  |  |  |  |  |  |  |  |  |  |  |  |  |  |  |   |   |
|------------------|---|-------|----------|-------|--|--|--|--|--|--|--|--|--|--|--|--|--|--|--|--|--|--|--|--|--|--|--|--|--|--|---|---|
| Id               |   |       |          |       |  |  |  |  |  |  |  |  |  |  |  |  |  |  |  |  |  |  |  |  |  |  |  |  |  |  | C | A |
| Reset 0x00000001 | 0 1           |       |          |       |  |  |  |  |  |  |  |  |  |  |  |  |  |  |  |  |  |  |  |  |  |  |  |  |  |  |   |   |
| Id               | RW  | Field | Value Id | Value | Description  |  |  |  |  |  |  |  |  |  |  |  |  |  |  |  |  |  |  |  |  |  |  |  |  |  |   |   |
| A                | RW  | SLEEP |          |       | Configure the watchdog to either be paused, or kept running, while the CPU is sleeping               |  |  |  |  |  |  |  |  |  |  |  |  |  |  |  |  |  |  |  |  |  |  |  |  |  |   |   |
|                  |   |       | Pause    | 0     | Pause watchdog while the CPU is sleeping   |  |  |  |  |  |  |  |  |  |  |  |  |  |  |  |  |  |  |  |  |  |  |  |  |  |   |   |
|                  |   |       | Run      | 1     | Keep the watchdog running while the CPU is sleeping  |  |  |  |  |  |  |  |  |  |  |  |  |  |  |  |  |  |  |  |  |  |  |  |  |  |   |   |
| C                | RW  | HALT  |          |       | Configure the watchdog to either be paused, or kept running, while the CPU is halted by the debugger |  |  |  |  |  |  |  |  |  |  |  |  |  |  |  |  |  |  |  |  |  |  |  |  |  |   |   |
|                  |   |       | Pause    | 0     | Pause watchdog while the CPU is halted by the debugger   |  |  |  |  |  |  |  |  |  |  |  |  |  |  |  |  |  |  |  |  |  |  |  |  |  |   |   |
|                  |   |       | Run      | 1     | Keep the watchdog running while the CPU is halted by the debugger                                    |  |  |  |  |  |  |  |  |  |  |  |  |  |  |  |  |  |  |  |  |  |  |  |  |  |   |   |

### 40.4.8 RR[0]

Address offset: 0x600

Reload request 0

| Bit number       | 31 | 30    | 29       | 28         | 27   | 26 | 25 | 24 | 23 | 22 | 21 | 20 | 19 | 18 | 17 | 16 | 15 | 14 | 13 | 12 | 11 | 10 | 9 | 8 | 7 | 6 | 5 | 4 | 3 | 2 | 1 | 0 |   |
|------------------|----|-------|----------|------------|--|----|----|----|----|----|----|----|----|----|----|----|----|----|----|----|----|----|---|---|---|---|---|---|---|---|---|---|---|
| Id               | A  | A     | A        | A          | A  | A  | A  | A  | A  | A  | A  | A  | A  | A  | A  | A  | A  | A  | A  | A  | A  | A  | A | A | A | A | A | A | A | A | A | A | A |
| Reset 0x00000000 | 0  | 0     | 0        | 0          | 0  | 0  | 0  | 0  | 0  | 0  | 0  | 0  | 0  | 0  | 0  | 0  | 0  | 0  | 0  | 0  | 0  | 0  | 0 | 0 | 0 | 0 | 0 | 0 | 0 | 0 | 0 | 0 |   |
| Id               | RW | Field | Value Id | Value      | Description  |    |    |    |    |    |    |    |    |    |    |    |    |    |    |    |    |    |   |   |   |   |   |   |   |   |   |   |   |
| A                | W  | RR    | Reload   | 0x6E524635 | Reload request register<br>Value to request a reload of the watchdog timer |    |    |    |    |    |    |    |    |    |    |    |    |    |    |    |    |    |   |   |   |   |   |   |   |   |   |   |   |

### 40.4.9 RR[1]

Address offset: 0x604

Reload request 1

| Bit number       | 31 | 30    | 29       | 28         | 27   | 26 | 25 | 24 | 23 | 22 | 21 | 20 | 19 | 18 | 17 | 16 | 15 | 14 | 13 | 12 | 11 | 10 | 9 | 8 | 7 | 6 | 5 | 4 | 3 | 2 | 1 | 0 |
|------------------|----|-------|----------|------------|--|----|----|----|----|----|----|----|----|----|----|----|----|----|----|----|----|----|---|---|---|---|---|---|---|---|---|---|
| Id               | A  | A     | A        | A          | A  | A  | A  | A  | A  | A  | A  | A  | A  | A  | A  | A  | A  | A  | A  | A  | A  | A  | A | A | A | A | A | A | A | A | A | A |
| Reset 0x00000000 | 0  | 0     | 0        | 0          | 0  | 0  | 0  | 0  | 0  | 0  | 0  | 0  | 0  | 0  | 0  | 0  | 0  | 0  | 0  | 0  | 0  | 0  | 0 | 0 | 0 | 0 | 0 | 0 | 0 | 0 | 0 | 0 |
| Id               | RW | Field | Value Id | Value      | Description  |    |    |    |    |    |    |    |    |    |    |    |    |    |    |    |    |    |   |   |   |   |   |   |   |   |   |   |
| A                | W  | RR    | Reload   | 0x6E524635 | Reload request register<br>Value to request a reload of the watchdog timer |    |    |    |    |    |    |    |    |    |    |    |    |    |    |    |    |    |   |   |   |   |   |   |   |   |   |   |

### 40.4.10 RR[2]

Address offset: 0x608

Reload request 2

| Bit number       | 31 | 30    | 29       | 28         | 27   | 26 | 25 | 24 | 23 | 22 | 21 | 20 | 19 | 18 | 17 | 16 | 15 | 14 | 13 | 12 | 11 | 10 | 9 | 8 | 7 | 6 | 5 | 4 | 3 | 2 | 1 | 0 |
|------------------|----|-------|----------|------------|--|----|----|----|----|----|----|----|----|----|----|----|----|----|----|----|----|----|---|---|---|---|---|---|---|---|---|---|
| Id               | A  | A     | A        | A          | A  | A  | A  | A  | A  | A  | A  | A  | A  | A  | A  | A  | A  | A  | A  | A  | A  | A  | A | A | A | A | A | A | A | A | A | A |
| Reset 0x00000000 | 0  | 0     | 0        | 0          | 0  | 0  | 0  | 0  | 0  | 0  | 0  | 0  | 0  | 0  | 0  | 0  | 0  | 0  | 0  | 0  | 0  | 0  | 0 | 0 | 0 | 0 | 0 | 0 | 0 | 0 | 0 | 0 |
| Id               | RW | Field | Value Id | Value      | Description  |    |    |    |    |    |    |    |    |    |    |    |    |    |    |    |    |    |   |   |   |   |   |   |   |   |   |   |
| A                | W  | RR    | Reload   | 0x6E524635 | Reload request register<br>Value to request a reload of the watchdog timer |    |    |    |    |    |    |    |    |    |    |    |    |    |    |    |    |    |   |   |   |   |   |   |   |   |   |   |

### 40.4.11 RR[3]

Address offset: 0x60C

Reload request 3

| Bit number       | 31 | 30    | 29       | 28         | 27   | 26 | 25 | 24 | 23 | 22 | 21 | 20 | 19 | 18 | 17 | 16 | 15 | 14 | 13 | 12 | 11 | 10 | 9 | 8 | 7 | 6 | 5 | 4 | 3 | 2 | 1 | 0 |
|------------------|----|-------|----------|------------|--|----|----|----|----|----|----|----|----|----|----|----|----|----|----|----|----|----|---|---|---|---|---|---|---|---|---|---|
| Id               | A  | A     | A        | A          | A  | A  | A  | A  | A  | A  | A  | A  | A  | A  | A  | A  | A  | A  | A  | A  | A  | A  | A | A | A | A | A | A | A | A | A | A |
| Reset 0x00000000 | 0  | 0     | 0        | 0          | 0  | 0  | 0  | 0  | 0  | 0  | 0  | 0  | 0  | 0  | 0  | 0  | 0  | 0  | 0  | 0  | 0  | 0  | 0 | 0 | 0 | 0 | 0 | 0 | 0 | 0 | 0 | 0 |
| Id               | RW | Field | Value Id | Value      | Description  |    |    |    |    |    |    |    |    |    |    |    |    |    |    |    |    |    |   |   |   |   |   |   |   |   |   |   |
| A                | W  | RR    | Reload   | 0x6E524635 | Reload request register<br>Value to request a reload of the watchdog timer |    |    |    |    |    |    |    |    |    |    |    |    |    |    |    |    |    |   |   |   |   |   |   |   |   |   |   |

### 40.4.12 RR[4]

Address offset: 0x610

Reload request 4

| Bit number       | 31 | 30    | 29       | 28         | 27   | 26 | 25 | 24 | 23 | 22 | 21 | 20 | 19 | 18 | 17 | 16 | 15 | 14 | 13 | 12 | 11 | 10 | 9 | 8 | 7 | 6 | 5 | 4 | 3 | 2 | 1 | 0 |
|------------------|----|-------|----------|------------|--|----|----|----|----|----|----|----|----|----|----|----|----|----|----|----|----|----|---|---|---|---|---|---|---|---|---|---|
| Id               | A  | A     | A        | A          | A  | A  | A  | A  | A  | A  | A  | A  | A  | A  | A  | A  | A  | A  | A  | A  | A  | A  | A | A | A | A | A | A | A | A | A | A |
| Reset 0x00000000 | 0  | 0     | 0        | 0          | 0  | 0  | 0  | 0  | 0  | 0  | 0  | 0  | 0  | 0  | 0  | 0  | 0  | 0  | 0  | 0  | 0  | 0  | 0 | 0 | 0 | 0 | 0 | 0 | 0 | 0 | 0 | 0 |
| Id               | RW | Field | Value Id | Value      | Description  |    |    |    |    |    |    |    |    |    |    |    |    |    |    |    |    |    |   |   |   |   |   |   |   |   |   |   |
| A                | W  | RR    | Reload   | 0x6E524635 | Reload request register<br>Value to request a reload of the watchdog timer |    |    |    |    |    |    |    |    |    |    |    |    |    |    |    |    |    |   |   |   |   |   |   |   |   |   |   |

### 40.4.13 RR[5]

Address offset: 0x614

Reload request 5

| Bit number       | 31 | 30    | 29       | 28         | 27   | 26 | 25 | 24 | 23 | 22 | 21 | 20 | 19 | 18 | 17 | 16 | 15 | 14 | 13 | 12 | 11 | 10 | 9 | 8 | 7 | 6 | 5 | 4 | 3 | 2 | 1 | 0 |   |
|------------------|----|-------|----------|------------|--|----|----|----|----|----|----|----|----|----|----|----|----|----|----|----|----|----|---|---|---|---|---|---|---|---|---|---|---|
| Id               | A  | A     | A        | A          | A  | A  | A  | A  | A  | A  | A  | A  | A  | A  | A  | A  | A  | A  | A  | A  | A  | A  | A | A | A | A | A | A | A | A | A | A | A |
| Reset 0x00000000 | 0  | 0     | 0        | 0          | 0  | 0  | 0  | 0  | 0  | 0  | 0  | 0  | 0  | 0  | 0  | 0  | 0  | 0  | 0  | 0  | 0  | 0  | 0 | 0 | 0 | 0 | 0 | 0 | 0 | 0 | 0 | 0 |   |
| Id               | RW | Field | Value Id | Value      | Description  |    |    |    |    |    |    |    |    |    |    |    |    |    |    |    |    |    |   |   |   |   |   |   |   |   |   |   |   |
| A                | W  | RR    | Reload   | 0x6E524635 | Reload request register<br>Value to request a reload of the watchdog timer |    |    |    |    |    |    |    |    |    |    |    |    |    |    |    |    |    |   |   |   |   |   |   |   |   |   |   |   |

### 40.4.14 RR[6]

Address offset: 0x618

Reload request 6

| Bit number       | 31 | 30    | 29       | 28         | 27   | 26 | 25 | 24 | 23 | 22 | 21 | 20 | 19 | 18 | 17 | 16 | 15 | 14 | 13 | 12 | 11 | 10 | 9 | 8 | 7 | 6 | 5 | 4 | 3 | 2 | 1 | 0 |
|------------------|----|-------|----------|------------|--|----|----|----|----|----|----|----|----|----|----|----|----|----|----|----|----|----|---|---|---|---|---|---|---|---|---|---|
| Id               | A  | A     | A        | A          | A  | A  | A  | A  | A  | A  | A  | A  | A  | A  | A  | A  | A  | A  | A  | A  | A  | A  | A | A | A | A | A | A | A | A | A |   |
| Reset 0x00000000 | 0  | 0     | 0        | 0          | 0  | 0  | 0  | 0  | 0  | 0  | 0  | 0  | 0  | 0  | 0  | 0  | 0  | 0  | 0  | 0  | 0  | 0  | 0 | 0 | 0 | 0 | 0 | 0 | 0 | 0 | 0 |   |
| Id               | RW | Field | Value Id | Value      | Description  |    |    |    |    |    |    |    |    |    |    |    |    |    |    |    |    |    |   |   |   |   |   |   |   |   |   |   |
| A                | W  | RR    | Reload   | 0x6E524635 | Reload request register<br>Value to request a reload of the watchdog timer |    |    |    |    |    |    |    |    |    |    |    |    |    |    |    |    |    |   |   |   |   |   |   |   |   |   |   |

### 40.4.15 RR[7]

Address offset: 0x61C

Reload request 7

| Bit number       | 31 | 30    | 29       | 28         | 27   | 26 | 25 | 24 | 23 | 22 | 21 | 20 | 19 | 18 | 17 | 16 | 15 | 14 | 13 | 12 | 11 | 10 | 9 | 8 | 7 | 6 | 5 | 4 | 3 | 2 | 1 | 0 |
|------------------|----|-------|----------|------------|--|----|----|----|----|----|----|----|----|----|----|----|----|----|----|----|----|----|---|---|---|---|---|---|---|---|---|---|
| Id               | A  | A     | A        | A          | A  | A  | A  | A  | A  | A  | A  | A  | A  | A  | A  | A  | A  | A  | A  | A  | A  | A  | A | A | A | A | A | A | A | A | A |   |
| Reset 0x00000000 | 0  | 0     | 0        | 0          | 0  | 0  | 0  | 0  | 0  | 0  | 0  | 0  | 0  | 0  | 0  | 0  | 0  | 0  | 0  | 0  | 0  | 0  | 0 | 0 | 0 | 0 | 0 | 0 | 0 | 0 | 0 |   |
| Id               | RW | Field | Value Id | Value      | Description  |    |    |    |    |    |    |    |    |    |    |    |    |    |    |    |    |    |   |   |   |   |   |   |   |   |   |   |
| A                | W  | RR    | Reload   | 0x6E524635 | Reload request register<br>Value to request a reload of the watchdog timer |    |    |    |    |    |    |    |    |    |    |    |    |    |    |    |    |    |   |   |   |   |   |   |   |   |   |   |

## 40.5 Electrical specification

### 40.5.1 Watchdog Timer Electrical Specification

| Symbol    | Description                    | Min.        | Typ. | Max. | Units   |
|-----------|--------------------------------|-------------|------|------|---------|
| $I_{WDT}$ | Run current for watchdog timer |             | 0.3  | 2    | $\mu$ A |
| $t_{WDT}$ | Time out interval              | 458 $\mu$ s |      | 36 h |         |

## 41 SWI — Software interrupts

A set of interrupts have been reserved for use as software interrupts.

### 41.1 Registers

**Table 97: Instances**

| Base address | Peripheral | Instance | Description          | Configuration |
|--------------|------------|----------|----------------------|---------------|
| 0x40014000   | SWI        | SWI0     | Software interrupt 0 |               |
| 0x40015000   | SWI        | SWI1     | Software interrupt 1 |               |
| 0x40016000   | SWI        | SWI2     | Software interrupt 2 |               |
| 0x40017000   | SWI        | SWI3     | Software interrupt 3 |               |
| 0x40018000   | SWI        | SWI4     | Software interrupt 4 |               |
| 0x40019000   | SWI        | SWI5     | Software interrupt 5 |               |



## 42 NFCT — Near field communication tag

The NFCT peripheral (referred to as the 'NFC peripheral' from now on) supports communication signal interface type A and 106 kbps bit rate from the NFC Forum.

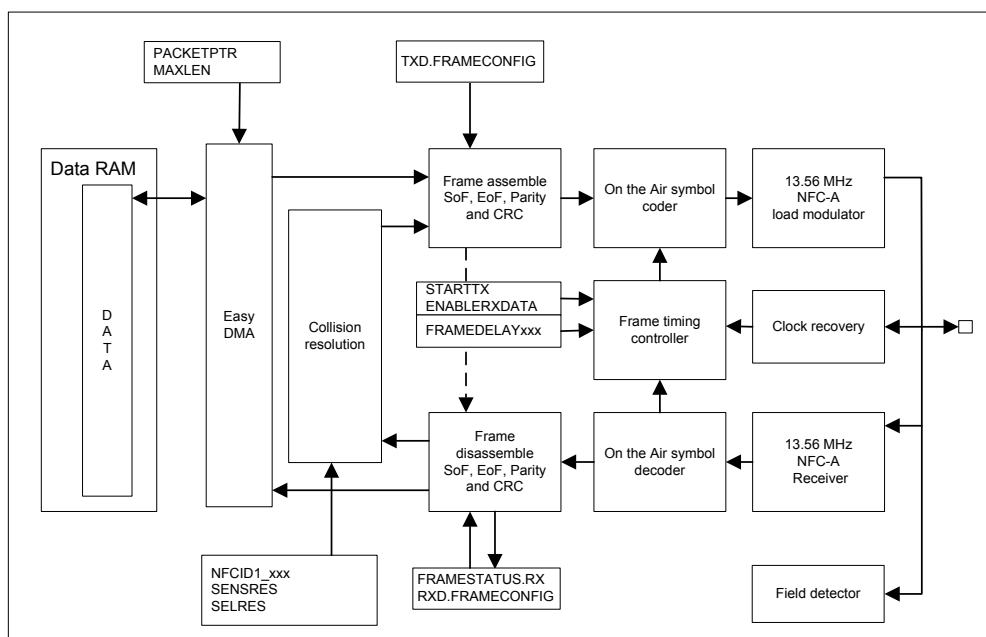
With appropriate software, the NFC peripheral can be used to emulate the listening device NFC-A as specified by the NFC Forum.

Listed here are the main features for the NFC peripheral:

- NFC-A listen mode operation
  - 13.56 MHz input frequency
  - Bit rate 106 kbps
- Wake-on-field low power field detection (SENSE) mode
- Frame assemble and disassemble for the NFC-A frames specified by the NFC Forum
- Programmable frame timing controller
- Integrated automatic collision resolution, CRC and parity functions

### 42.1 Overview

The NFC peripheral is an implementation of an NFC Forum compliant listening device NFC-A.



**Figure 117: NFC block diagram**

The NFC peripheral contains a 13.56 MHz AM receiver and a 13.56 MHz load modulator compatible with the NFC-A technology defined in the NFC Forum with 106 kbps data rate.

The received frames will be automatically disassembled and the data part of the frame transferred to RAM. When transmitting, the frame data will be transferred directly from RAM and transmitted with configurable frame type and delay timing. The system will be notified by an event whenever a complete frame is received or sent.

It also supports the collision detection and resolution ("anticollision") as defined by the NFC Forum.

Wake-on-field is supported in SENSE mode while the device is either in System OFF or System ON mode. When the antenna enters an NFC field, an event will be triggered notifying the system to activate the NFC functionality for incoming frames. In System ON, if the energy detected at the antenna increases beyond a threshold value, the module will generate a FIELDDETECTED event. The module will generate a FIELDLOST event when the quality or strength of the field no longer support NFC communication. Please refer to [NFCT Electrical Specification](#) on page 436 for the Low Power Field Detect threshold values.

In system OFF, the NFC Low Power Field Detect function can wake the system up through a reset. The NFC bit in register [RESETREAS](#) on page 85 will be set as cause of the wake-up.

If the system is put into system OFF mode while a field is already present, the NFC Low Power Field Detect function will wake the system up right away and generate a reset.

Note that as a consequence of reset, NFC is disabled, so the reset handler will have to activate NFC again and set it up properly.

The HFXO must be running before the NFC peripheral goes into ACTIVATED state. Note that the NFC peripheral calibration is automatically done on ACTIVATE task. The HFXO can be turned off when the NFC peripheral goes into SENSE mode. The shortcut FIELDDETECTED\_ACTIVATE can be used when the HFXO is already running while in SENSE mode.

Outgoing data will be collected from RAM with the EasyDMA function and assembled according to the TXD.FRAMECONFIG register. Incoming data will be disassembled according to the RXD.FRAMECONFIG register and the data section in the frame will be written to RAM via the EasyDMA function.

The NFC peripheral includes a frame timing controller that can be used to accurately control the inter-frame delay between the incoming frame and a corresponding outgoing frame. It also includes optional CRC functionality.

The NFC peripheral has a set of different states. The module can change state by triggering a task, or when specific operations are finalized. Events and tasks allow software to keep track of and change the current state.

See [Figure 117: NFC block diagram](#) on page 417 and [Figure 118: NFC state diagram](#) on page 419 for more information.

#### Notes:

- FIELDLOST event will not be reflected in the state machine (for instance by going back to the DISABLE state), it is up to software to decide on the actions to take when a field lost occurs.
- FIELDLOST event is not generated in SENSE mode.
- FIELDDETECTED event is generated only on the transition from FIELDLOST event to energy detected by the NFC peripheral. So, sending SENSE task while field is still present does not generate FIELDDETECTED event.
- If the FIELDDETECTED event is cleared before sending the ACTIVATE task, then the FIELDDETECTED event shows up again after sending the ACTIVATE task. The shortcut FIELDDETECTED\_ACTIVATE can be used to avoid this condition.



Figure 118: NFC state diagram

## 42.2 Pin configuration

NFC uses two pins to connect the antenna.

These pins are shared with GPIOs, and the PROTECT field in the NFCPINS register in [UICR](#) defines the usage of these pins and their protection level against excessive voltages. The content of the NFCPINS register is reloaded at every reset.

When NFCPINS.PROTECT=NFC, a protection circuit will be enabled on the dedicated pins, preventing the chip from being damaged in the presence of a strong NFC field. The GPIO function will be disabled on those pins as well.

When NFCPINS.PROTECT=Disabled, the device will not be protected against strong NFC field damages caught by a connected NFC antenna, and the NFCT peripheral will not operate as expected, as it will never leave the DISABLE state.

The pins dedicated to the NFC antenna function will have some limitation when the pins are configured for normal GPIO operation. The pin capacitance will be higher on those (refer to  $C_{PAD\_NFC}$  in the [GPIO Electrical Specification](#) on page 154 below), and some increased leakage current between the two pins is to be expected if they are used in GPIO mode, and are driven to different logical values. To save power the two pins should always be set to the same logical value whenever entering one of the device power saving modes. Please refer to  $I_{NFC\_LEAK}$  in [GPIO Electrical Specification](#) on page 154 for details.

## 42.3 EasyDMA

The NFC peripheral implements EasyDMA for reading and writing of data packets from and to the Data RAM without CPU involvement.

The NFC EasyDMA utilizes one pointer called PACKETPTR for receiving and transmitting packets.

The EasyDMA can either read or write between the NFC peripheral and the RAM, but not at the same time. The event RXFRAMESTART indicates that the EasyDMA has started writing to the RAM for a receive frame and the event RXFRAMEEND indicates that the EasyDMA has completed writing to the RAM. Similarly, the event TXFRAMESTART indicates that the EasyDMA has started reading from the RAM for a transmit frame and the event TXFRAMEEND indicates that the EasyDMA has completed reading from the RAM. If a transmit and a receive operation is issued at the same time, the transmit operation would be prioritized.

Starting a transmit operation while the EasyDMA has already started writing a receive frame to the RAM will result in unpredictable behavior. Starting an EasyDMA operation whilst there is an ongoing EasyDMA operation may result in unpredictable behavior. It is recommended to wait for the TXFRAMEEND or

RXFRAMEND event for the respective ongoing transmit or receive before starting a new receive or transmit operation.

The MAXLEN register determines the maximum number of bytes that can be read from or written to the RAM. This feature can be used to secure that the NFC peripheral does not overwrite, or read beyond, the RAM assigned to a packet. Note that if the RXD.AMOUNT or TXD.AMOUNT register indicates longer data packets than set in MAXLEN, the frames sent to or received from the physical layer will be incomplete. In RX, the OVERRUN bit in the FRAMESTATUS.RX register will be set and an RXERROR event will be triggered in that situation.

Note that RXD.AMOUNT and TXD.AMOUNT define a frame length in bytes and bits excluding SoF, EoF and parity, but including CRC for RXD.AMOUNT only, make sure to take potential additional bits into account when setting MAXLEN.

Only sending task ENABLERXDATA ensures that a new value in PACKETPTR pointing to the RX buffer in Data RAM is taken into account.

If PACKETPTR is not pointing to the Data RAM region, an EasyDMA transfer may result in a HardFault or RAM corruption. See Chapter [Memory](#) on page 23 for more information about the different memory regions.

The NFC peripherals normally do alternative receive and transmit frames. So, to prepare for the next frame, the PACKETPTR, MAXLEN, TXD.FRAMECONFIG and TXD.AMOUNT can be updated while the receive is in progress, and, similarly, the PACKETPTR, MAXLEN and RXD.FRAMECONFIG can be updated while the transmit is in progress. They can be updated and prepared for the next NFC frame immediately after the STARTED event of the current frame has been received. Updating the TXD.FRAMECONFIG and TXD.AMOUNT during the current transmit frame or updating RXD.FRAMECONFIG during current receive frame may cause unpredictable behaviour.

In accordance with *NFC Forum, NFC Digital Protocol Technical Specification*, the least a significant bit from the least significant byte is sent on air first. The bytes are stored in increasing order, starting at the lowest address in the EasyDMA buffer in RAM.

## 42.4 Collision resolution

The NFC peripheral implements an automatic collision resolution function as defined by the NFC Forum.

The SENSRES and SELRES registers need to be programmed upfront in order for the collision resolution to behave correctly. Depending on the NFCIDSIZE field in SENSRES, the following registers also need to be programmed upfront:

- NFCID1\_LAST if NFCID1SIZE=NFCID1Single (ID = 4 bytes);
- NFCID1\_2ND\_LAST and NFCID1\_LAST if NFCID1SIZE=NFCID1Double (ID = 7 bytes);
- NFCID1\_3RD\_LAST, NFCID1\_2ND\_LAST and NFCID1\_LAST if NFCID1SIZE=NFCID1Triple (ID = 10 bytes);

[Table 98: NFCID1 byte allocation \(top sent first on air\)](#) on page 420 explains the position of the ID bytes in NFCID1\_3RD\_LAST, NFCID1\_2ND\_LAST and NFCID1\_LAST, depending on the ID size, and as compared to the definition used in the *NFC Forum, NFC Digital Protocol Technical Specification*.

**Table 98: NFCID1 byte allocation (top sent first on air)**

|          | ID = 4 bytes        | ID = 7 bytes        | ID = 10 bytes       |
|----------|---------------------|---------------------|---------------------|
| NFCID1_Q |                     |                     | nfcid1 <sub>0</sub> |
| NFCID1_R |                     |                     | nfcid1 <sub>1</sub> |
| NFCID1_S |                     |                     | nfcid1 <sub>2</sub> |
| NFCID1_T |                     | nfcid1 <sub>0</sub> | nfcid1 <sub>3</sub> |
| NFCID1_U |                     | nfcid1 <sub>1</sub> | nfcid1 <sub>4</sub> |
| NFCID1_V |                     | nfcid1 <sub>2</sub> | nfcid1 <sub>5</sub> |
| NFCID1_W | nfcid1 <sub>0</sub> | nfcid1 <sub>3</sub> | nfcid1 <sub>6</sub> |
| NFCID1_X | nfcid1 <sub>1</sub> | nfcid1 <sub>4</sub> | nfcid1 <sub>7</sub> |
| NFCID1_Y | nfcid1 <sub>2</sub> | nfcid1 <sub>5</sub> | nfcid1 <sub>8</sub> |
| NFCID1_Z | nfcid1 <sub>3</sub> | nfcid1 <sub>6</sub> | nfcid1 <sub>9</sub> |

Automatic collision resolution is enabled by default.

The hardware implementation can handle the states from IDLE to ACTIVE\_A automatically as defined in the *NFC Forum, NFC Activity Technical Specification*, and the other states are to be handled by software. The software keeps track of the state through events. The collision resolution will trigger an AUTOCOLRESSTARTED event when it has started. Reaching the ACTIVE\_A state is indicated by the SELECTED event.

If collision resolution fails, a COLLISION event is triggered. Note that errors occurring during automatic collision resolution may also cause ERROR and/or RXERROR events to be generated. Also, other events may get generated. It is recommended that the software ignores any event except COLLISION, SELECTED and FIELDLOST during automatic collision resolution. Software shall also make sure that any unwanted SHORT or PPI shortcut are disabled during automatic collision resolution.

A pre-defined set of registers, NFC.TAGHEADER0..3, containing a valid NFCID1 value, is available in [FICR](#), and can be used by software to populate the NFCID1\_3RD\_LAST, NFCID1\_2ND\_LAST and NFCID1\_LAST registers. Refer to the release notes of the NFC stack for more details on the format.

The automatic collision resolution will be restarted, if the packets are received with CRC or parity errors while in ACTIVE\_A state.

The SLP\_REQ is automatically handled by the NFC peripheral. However, this results in an ERROR event (with FRAMEDELAYTIMEOUT cause in ERRORSTATUS) since the SLP\_REQ has no response. This error must be ignored until the SELECTED event is triggered and this error should be cleared by the software when the SELECTED event is triggered.

## 42.5 Frame timing controller

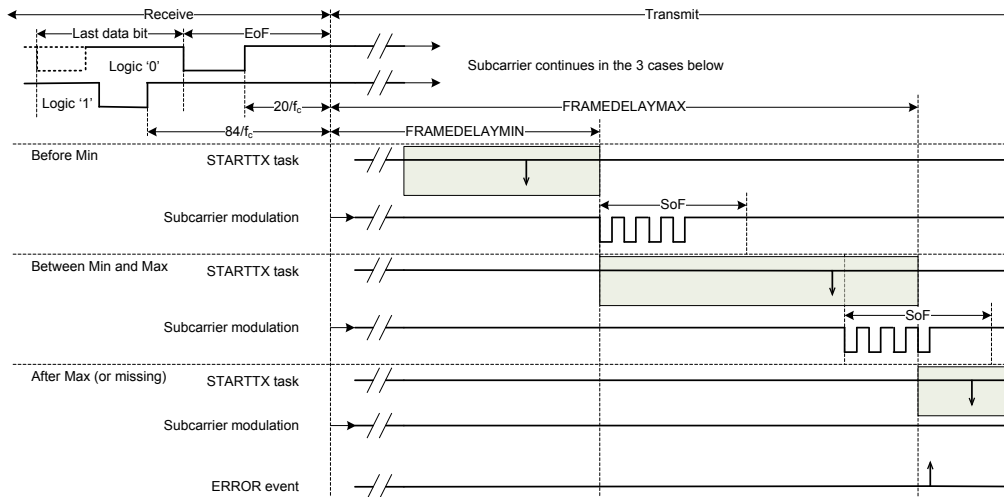
The NFC peripheral includes a frame timing controller that continuously keeps track of the number of the 13.56 MHz RF-carrier clock periods since the end of the EoF of the last received frame.

The NFC peripheral can be programmed to send a responding frame within a time window or at an exact count of RF carrier periods. In case of FRAMEDELAYMODE = Window a STARTTX task triggered before the frame timing controller counter is equal to FRAMEDELAYMIN will force the transmission to halt until the counter is equal to FRAMEDELAYMIN. If the counter is within FRAMEDELAYMIN and FRAMEDELAYMAX when the STARTTX task is triggered, the peripheral will start the transmission straight away. In case of FRAMEDELAYMODE = ExactVal, a STARTTX task, triggered before the frame delay counter is equal to FRAMEDELAYMAX, will halt the actual transmission start until the counter is equal to FRAMEDELAYMAX.

In case of FRAMEDELAYMODE = WindowGrid, the behaviour is similar to the FRAMEDELAYMODE = Window, but the actual transmission between FRAMEDELAYMIN and FRAMEDELAYMAX starts on a bit grid as defined for NFC-A Listen frames (slot duration of 128 RF carrier periods).

The FRAMEDELAYMIN and FRAMEDELAYMAX values shall only be updated before the STARTTX task is triggered. Failing to do so may cause unpredictable behaviour. An ERROR event (with FRAMEDELAYTIMEOUT cause in ERRORSTATUS) will be asserted if the frame timing controller counter reaches FRAMEDELAYMAX without any STARTTX task triggered. This may happen even when the response is not required as per *NFC Forum, NFC Digital Protocol Technical Specification*. Any commands handled by the automatic collision resolution that don't involve a response being generated may also result in an ERROR event (with FRAMEDELAYTIMEOUT cause in ERRORSTATUS).

The frame timing controller operation is illustrated in [Figure 119: Frame timing controller \(FRAMEDELAYMODE=Window\)](#) on page 422. The frame timing controller automatically adjusts the frame timing counter based on the last received data bit according to NFC-A technology in the *NFC Forum, NFC Digital Protocol Technical Specification*.



**Figure 119: Frame timing controller (FRAMEDELAYMODE=Window)**

## 42.6 Frame assembler

The NFC peripheral implements a frame assembler in hardware.

When the NFC peripheral is in the ACTIVE\_A state, the software can decide to enter RX or TX mode. For RX, see [Frame disassembler](#) on page 423. For TX, the software must indicate the address of the source buffer in Data RAM and its size through programming the PACKETPTR and MAXCNT registers respectively, then issuing a TXSTART task.

MAXCNT must be set so that it matches the size of the frame to be sent.

The STARTED event indicates that the PACKETPTR and MAXCNT registers have been captured by the frame assembler's EasyDMA.

When asserting the STARTTX task, the frame assembler module will start reading TXD.AMOUNT.TXDATABYTES bytes (plus one additional byte if TXD.AMOUNT.TXDATABITS > 0) from the RAM position set by the PACKETPTR.

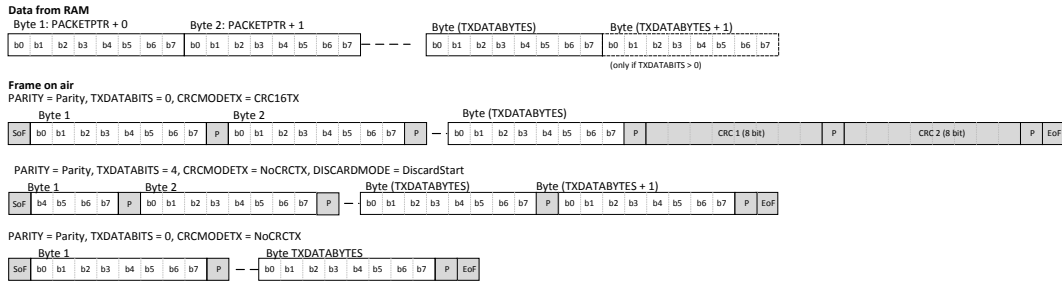
The NFC peripheral transmits the data as read from RAM, adding framing and the CRC calculated on the fly. The NFC peripheral will take  $(8 \cdot \text{TXD.AMOUNT.TXDATABYTES} + \text{TXD.AMOUNT.TXDATABITS})$  bits and assemble a frame according to settings in TXD.FRAMECONFIG. Both short frames, standard frames and bit oriented SDD frames as specified in the *NFC Forum, NFC Digital Protocol Technical Specification* can be assembled by correct setting of the TXD.FRAMECONFIG register.

The bytes will be transmitted on air in the same order as they are read from RAM with a rising bit order within each byte (least significant bit first). That is, b0 will be transmitted on air before b1, and so on. The bits read from RAM will be coded into symbols as defined in the *NFC Forum, NFC Digital Protocol Technical Specification*.

**Important:** Some NFC Forum documents, such as *NFC Forum, NFC Digital Protocol Technical Specification*, define bit numbering in a byte from b1 (LSB) to b8 (MSB), while most other technical documents from the NFC Forum, and also the Nordic Semiconductor documentation, traditionally numbers them from b0 to b7. The present document uses the b0 to b7 numbering scheme. Be aware of this when comparing with the *NFC Forum, NFC Digital Protocol Technical Specification* to others.

The frame assembler can be configured in TXD.FRAMECONFIG to add Start of Frame (SoF) symbol, calculate and add parity bits, and calculate and add CRC to the data read from RAM when assembling the frame. The total frame will then be longer than what is defined by TXD.AMOUNT.TXDATABYTES and TXDATABITS. DISCARDMODE will select if the first bits in the first byte read from RAM or the last bits in the last byte read from RAM will be discarded if TXD.AMOUNT.TXDATABITS are not equal to zero. Note that if TXD.FRAMECONFIG.PARITY = Parity and TXD.FRAMECONFIG.DISCARDMODE=DiscardStart, a parity bit will be included after the non-complete first byte. No parity will be added after a non-complete last byte.

The Frame Assemble operation is illustrated in [Figure 120: Frame assemble](#) on page 423 for different settings in TXD.FRAMECONFIG. All shaded bits fields are added by the frame assembler. Some of these bits are optional and appearances are configured in TXD.FRAMECONFIG. Please note that the frames illustrated do not necessarily comply with the NFC specification. The figure is only to illustrate the behavior of the NFC peripheral.



**Figure 120: Frame assemble**

The accurate timing for transmitting the frame on air is set using the frame timing controller settings.

## 42.7 Frame disassembler

The NFC peripheral implements a frame disassembler in hardware.

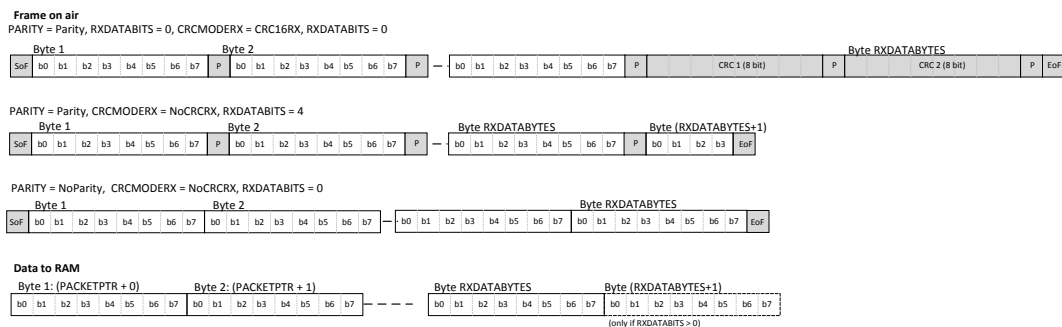
When the NFC peripheral is in the ACTIVE\_A state, the software can decide to enter RX or TX mode. For TX, see [Frame assembler](#) on page 422. For RX, the software must indicate the address of the destination buffer in Data RAM and its size through programming the PACKETPTR and MAXCNT registers respectively, then issuing a ENABLERXDATA task.

The STARTED event indicates that the PACKETPTR and MAXCNT registers have been captured by the frame disassembler's EasyDMA.

When an incoming frame starts, the RXFRAMESTART event will get issued and data will be written to the buffer in Data RAM. The frame disassembler will verify and remove on the fly any parity bits and SoF and End of Frame (EoF) symbols based on RXD.FRAMECONFIG register configuration. It will, however, verify and transfer the CRC bytes into RAM, if the CRC is was enabled through RXD.FRAMECONFIG.

When an EoF symbol is detected, the NFC peripheral will assert the RXFRAMEEND event and write the RXD.AMOUNT register to indicate numbers of received bytes and bits in the data packet. The module does not interpret the content of the data received from the remote NFC device, except for SoF, EoF, parity and CRC checking, as described above. The Frame disassemble operation is illustrated in [Figure 121: Frame disassemble illustration](#) on page 423.

Per NFC specification, the time between end of frame to the next start of frame can be as short as 86  $\mu$ s, so care must be taken that PACKETPTR and MAXCNT are ready and ENABLERXDATA is issued on time after the end of previous frame. The use of a PPI shortcut from TXFRAMEEND to ENABLERXDATA is recommended.



**Figure 121: Frame disassemble illustration**

## 42.8 Antenna interface

In ACTIVATED state, an amplitude regulator will adjust the voltage swing on the antenna pins to a value that is within the  $V_{\text{swing}}$  limit.

Refer to [NFCT Electrical Specification](#) on page 436.

## 42.9 NFCT antenna recommendations

The NFCT antenna coil must be connected differential between `NFC1` and `NFC2` pins of the device.

Two external capacitors should be used to tune the resonance of the antenna circuit to 13.56 MHz.



**Figure 122: NFCT antenna recommendations**

The required tuning capacitor value is given by the below equations:

$$C'_{\text{tune}} = \frac{1}{(2\pi \cdot 13.56 \text{ MHz})^2 \cdot L_{\text{ant}}} \quad \text{where } C'_{\text{tune}} = \frac{1}{2} \cdot (C_p + C_{\text{int}} + C_{\text{tune}})$$

$$\text{and } C_{\text{tune1}} = C_{\text{tune2}} = C_{\text{tune}} \quad C_{p1} = C_{p2} = C_p \quad C_{\text{int1}} = C_{\text{int2}} = C_{\text{int}}$$

$$C_{\text{tune}} = \frac{2}{(2\pi \cdot 13.56 \text{ MHz})^2 \cdot L_{\text{ant}}} - C_p - C_{\text{int}}$$

An antenna inductance of  $L_{\text{ant}} = 2 \mu\text{H}$  will give tuning capacitors in the range of 130 pF on each pin. For good performance, match the total capacitance on `NFC1` and `NFC2`.

## 42.10 Battery protection

If the antenna is exposed to a strong NFC field, current may flow in the opposite direction on the supply due to parasitic diodes and ESD structures.

If the battery used does not tolerate return current, a series diode must be placed between the battery and the device in order to protect the battery.



## 42.11 References

NFC Forum, NFC Analog Specification version 1.0, [www.nfc-forum.org](http://www.nfc-forum.org)

NFC Forum, NFC Digital Protocol Technical Specification version 1.1, [www.nfc-forum.org](http://www.nfc-forum.org)

NFC Forum, NFC Activity Technical Specification version 1.1, [www.nfc-forum.org](http://www.nfc-forum.org)

## 42.12 Registers

**Table 99: Instances**

| Base address | Peripheral | Instance | Description                  | Configuration |
|--------------|------------|----------|------------------------------|---------------|
| 0x40005000   | NFCT       | NFCT     | Near Field Communication Tag |               |

**Table 100: Register Overview**

| Register             | Offset | Description   |
|----------------------|--------|---|
| TASKS_ACTIVATE       | 0x000  | Activate NFC peripheral for incoming and outgoing frames, change state to activated                                 |
| TASKS_DISABLE        | 0x004  | Disable NFC peripheral  |
| TASKS_SENSE          | 0x008  | Enable NFC sense field mode, change state to sense mode   |
| TASKS_STARTTX        | 0x00C  | Start transmission of a outgoing frame, change state to transmit  |
| TASKS_ENABLERXDATA   | 0x01C  | Initializes the EasyDMA for receive.  |
| TASKS_GO_IDLE        | 0x024  | Force state machine to IDLE state   |
| TASKS_GOSLEEP        | 0x028  | Force state machine to SLEEP_A state  |
| EVENTS_READY         | 0x100  | The NFC peripheral is ready to receive and send frames  |
| EVENTS_FIELDDETECTED | 0x104  | Remote NFC field detected   |
| EVENTS_FIELDLOST     | 0x108  | Remote NFC field lost   |
| EVENTS_TXFRAMESTART  | 0x10C  | Marks the start of the first symbol of a transmitted frame  |
| EVENTS_TXFRAMEEND    | 0x110  | Marks the end of the last transmitted on-air symbol of a frame  |
| EVENTS_RXFRAMESTART  | 0x114  | Marks the end of the first symbol of a received frame   |
| EVENTS_RXFRAMEEND    | 0x118  | Received data have been checked (CRC, parity) and transferred to RAM, and EasyDMA has ended accessing the RX buffer |
| EVENTS_ERROR         | 0x11C  | NFC error reported. The ERRORSTATUS register contains details on the source of the error.                           |
| EVENTS_RXERROR       | 0x128  | NFC RX frame error reported. The FRAMESTATUS.RX register contains details on the source of the error.               |
| EVENTS_ENDRX         | 0x12C  | RX buffer (as defined by PACKETPTR and MAXLEN) in Data RAM full.  |
| EVENTS_ENDTX         | 0x130  | Transmission of data in RAM has ended, and EasyDMA has ended accessing the TX buffer                                |
| EVENTS_AUTOCOLRESST  | 0x138  | Auto collision resolution process has started   |
| EVENTS_COLLISION     | 0x148  | NFC Auto collision resolution error reported.   |
| EVENTS_SELECTED      | 0x14C  | NFC Auto collision resolution successfully completed  |
| EVENTS_STARTED       | 0x150  | EasyDMA is ready to receive or send frames.   |
| SHORTS               | 0x200  | Shortcut register   |
| INTEN                | 0x300  | Enable or disable interrupt   |
| INTENSET             | 0x304  | Enable interrupt  |
| INTENCLR             | 0x308  | Disable interrupt   |
| ERRORSTATUS          | 0x404  | NFC Error Status register   |
| FRAMESTATUS.RX       | 0x40C  | Result of last incoming frames  |
| CURRENTLOADCTRL      | 0x430  | Current value driven to the NFC Load Control  |
| FIELDPRESENT         | 0x43C  | Indicates the presence or not of a valid field  |
| FRAMEDELAYMIN        | 0x504  | Minimum frame delay   |
| FRAMEDELAYMAX        | 0x508  | Maximum frame delay   |
| FRAMEDELAYMODE       | 0x50C  | Configuration register for the Frame Delay Timer  |
| PACKETPTR            | 0x510  | Packet pointer for TXD and RXD data storage in Data RAM   |
| MAXLEN               | 0x514  | Size of allocated for TXD and RXD data storage buffer in Data RAM   |
| TXD.FRAMECONFIG      | 0x518  | Configuration of outgoing frames  |
| TXD.AMOUNT           | 0x51C  | Size of outgoing frame  |
| RXD.FRAMECONFIG      | 0x520  | Configuration of incoming frames  |

| Register               | Offset | Description                                |
|------------------------|--------|--|
| <i>RXD.AMOUNT</i>      | 0x524  | Size of last incoming frame                |
| <i>NFCID1_LAST</i>     | 0x590  | Last NFCID1 part (4, 7 or 10 bytes ID)     |
| <i>NFCID1_2ND_LAST</i> | 0x594  | Second last NFCID1 part (7 or 10 bytes ID) |
| <i>NFCID1_3RD_LAST</i> | 0x598  | Third last NFCID1 part (10 bytes ID)       |
| <i>SENSRES</i>         | 0x5A0  | NFC-A SENS_RES auto-response settings      |
| <i>SELRES</i>          | 0x5A4  | NFC-A SEL_RES auto-response settings       |

### 42.12.1 SHORTS

Address offset: 0x200

Shortcut register

| Bit number       |   |                        |          |       |   |  |  |  |  |  |  |  |  |  |  |  |  |  |  |  |  |  |  |  |  |  |  |  |  |  |  |
|------------------|---|------------------------|----------|-------|---|--|--|--|--|--|--|--|--|--|--|--|--|--|--|--|--|--|--|--|--|--|--|--|--|--|--|
| Id               | B A   |                        |          |       |   |  |  |  |  |  |  |  |  |  |  |  |  |  |  |  |  |  |  |  |  |  |  |  |  |  |  |
| Reset 0x00000000 | 0 |                        |          |       |   |  |  |  |  |  |  |  |  |  |  |  |  |  |  |  |  |  |  |  |  |  |  |  |  |  |  |
| Id               | RW  | Field                  | Value Id | Value | Description   |  |  |  |  |  |  |  |  |  |  |  |  |  |  |  |  |  |  |  |  |  |  |  |  |  |  |
| A                | RW  | FIELDDETECTED_ACTIVATE |          |       | Shortcut between FIELDDETECTED event and ACTIVATE task<br><br>See <a href="#">EVENTS_FIELDDETECTED</a> and <a href="#">TASKS_ACTIVATE</a> |  |  |  |  |  |  |  |  |  |  |  |  |  |  |  |  |  |  |  |  |  |  |  |  |  |  |
|                  |   |                        | Disabled | 0     | Disable shortcut  |  |  |  |  |  |  |  |  |  |  |  |  |  |  |  |  |  |  |  |  |  |  |  |  |  |  |
|                  |   |                        | Enabled  | 1     | Enable shortcut   |  |  |  |  |  |  |  |  |  |  |  |  |  |  |  |  |  |  |  |  |  |  |  |  |  |  |
| B                | RW  | FIELDLOST_SENSE        |          |       | Shortcut between FIELDLOST event and SENSE task<br><br>See <a href="#">EVENTS_FIELDLOST</a> and <a href="#">TASKS_SENSE</a>               |  |  |  |  |  |  |  |  |  |  |  |  |  |  |  |  |  |  |  |  |  |  |  |  |  |  |
|                  |   |                        | Disabled | 0     | Disable shortcut  |  |  |  |  |  |  |  |  |  |  |  |  |  |  |  |  |  |  |  |  |  |  |  |  |  |  |
|                  |   |                        | Enabled  | 1     | Enable shortcut   |  |  |  |  |  |  |  |  |  |  |  |  |  |  |  |  |  |  |  |  |  |  |  |  |  |  |

### 42.12.2 INTEN

Address offset: 0x300

Enable or disable interrupt

| Bit number       |   |               |          |       |   |  |  |  |  |  |  |  |  |  |  |                         |  |  |  |  |  |  |  |  |  |  |  |  |  |  |  |
|------------------|---|---------------|----------|-------|---|--|--|--|--|--|--|--|--|--|--|-------------------------|--|--|--|--|--|--|--|--|--|--|--|--|--|--|--|
| Id               | T S R   |               |          |       |   |  |  |  |  |  |  |  |  |  |  | N M L K H G F E D C B A |  |  |  |  |  |  |  |  |  |  |  |  |  |  |  |
| Reset 0x00000000 | 0 |               |          |       |   |  |  |  |  |  |  |  |  |  |  |                         |  |  |  |  |  |  |  |  |  |  |  |  |  |  |  |
| Id               | RW  | Field         | Value Id | Value | Description   |  |  |  |  |  |  |  |  |  |  |                         |  |  |  |  |  |  |  |  |  |  |  |  |  |  |  |
| A                | RW  | READY         |          |       | Enable or disable interrupt for READY event<br><br>See <a href="#">EVENTS_READY</a>                 |  |  |  |  |  |  |  |  |  |  |                         |  |  |  |  |  |  |  |  |  |  |  |  |  |  |  |
|                  |   |               | Disabled | 0     | Disable   |  |  |  |  |  |  |  |  |  |  |                         |  |  |  |  |  |  |  |  |  |  |  |  |  |  |  |
|                  |   |               | Enabled  | 1     | Enable  |  |  |  |  |  |  |  |  |  |  |                         |  |  |  |  |  |  |  |  |  |  |  |  |  |  |  |
| B                | RW  | FIELDDETECTED |          |       | Enable or disable interrupt for FIELDDETECTED event<br><br>See <a href="#">EVENTS_FIELDDETECTED</a> |  |  |  |  |  |  |  |  |  |  |                         |  |  |  |  |  |  |  |  |  |  |  |  |  |  |  |
|                  |   |               | Disabled | 0     | Disable   |  |  |  |  |  |  |  |  |  |  |                         |  |  |  |  |  |  |  |  |  |  |  |  |  |  |  |
|                  |   |               | Enabled  | 1     | Enable  |  |  |  |  |  |  |  |  |  |  |                         |  |  |  |  |  |  |  |  |  |  |  |  |  |  |  |
| C                | RW  | FIELDLOST     |          |       | Enable or disable interrupt for FIELDLOST event<br><br>See <a href="#">EVENTS_FIELDLOST</a>         |  |  |  |  |  |  |  |  |  |  |                         |  |  |  |  |  |  |  |  |  |  |  |  |  |  |  |
|                  |   |               | Disabled | 0     | Disable   |  |  |  |  |  |  |  |  |  |  |                         |  |  |  |  |  |  |  |  |  |  |  |  |  |  |  |
|                  |   |               | Enabled  | 1     | Enable  |  |  |  |  |  |  |  |  |  |  |                         |  |  |  |  |  |  |  |  |  |  |  |  |  |  |  |
| D                | RW  | TXFRAMESTART  |          |       | Enable or disable interrupt for TXFRAMESTART event<br><br>See <a href="#">EVENTS_TXFRAMESTART</a>   |  |  |  |  |  |  |  |  |  |  |                         |  |  |  |  |  |  |  |  |  |  |  |  |  |  |  |
|                  |   |               | Disabled | 0     | Disable   |  |  |  |  |  |  |  |  |  |  |                         |  |  |  |  |  |  |  |  |  |  |  |  |  |  |  |
|                  |   |               | Enabled  | 1     | Enable  |  |  |  |  |  |  |  |  |  |  |                         |  |  |  |  |  |  |  |  |  |  |  |  |  |  |  |
| E                | RW  | TXFRAMEEND    |          |       | Enable or disable interrupt for TXFRAMEEND event<br><br>See <a href="#">EVENTS_TXFRAMEEND</a>       |  |  |  |  |  |  |  |  |  |  |                         |  |  |  |  |  |  |  |  |  |  |  |  |  |  |  |
|                  |   |               | Disabled | 0     | Disable   |  |  |  |  |  |  |  |  |  |  |                         |  |  |  |  |  |  |  |  |  |  |  |  |  |  |  |
|                  |   |               | Enabled  | 1     | Enable  |  |  |  |  |  |  |  |  |  |  |                         |  |  |  |  |  |  |  |  |  |  |  |  |  |  |  |
| F                | RW  | RXFRAMESTART  |          |       | Enable or disable interrupt for RXFRAMESTART event  |  |  |  |  |  |  |  |  |  |  |                         |  |  |  |  |  |  |  |  |  |  |  |  |  |  |  |

| Bit number       | 31 30 29 28 27 26 25 24 23 22 21 20 19 18 17 16 15 14 13 12 11 10 9 8 7 6 5 4 3 2 1 0 |                   |          |       |   |  |  |  |  |  |  |  |  |  |  |                         |  |  |  |  |  |  |  |  |  |  |  |  |  |  |  |
|------------------|---|-------------------|----------|-------|---|--|--|--|--|--|--|--|--|--|--|-------------------------|--|--|--|--|--|--|--|--|--|--|--|--|--|--|--|
| Id               | T S R   |                   |          |       |   |  |  |  |  |  |  |  |  |  |  | N M L K H G F E D C B A |  |  |  |  |  |  |  |  |  |  |  |  |  |  |  |
| Reset 0x00000000 | 0             |                   |          |       |   |  |  |  |  |  |  |  |  |  |  |                         |  |  |  |  |  |  |  |  |  |  |  |  |  |  |  |
| Id               | RW  | Field             | Value Id | Value | Description   |  |  |  |  |  |  |  |  |  |  |                         |  |  |  |  |  |  |  |  |  |  |  |  |  |  |  |
|                  |   |                   | Disabled | 0     | Disable   |  |  |  |  |  |  |  |  |  |  |                         |  |  |  |  |  |  |  |  |  |  |  |  |  |  |  |
|                  |   |                   | Enabled  | 1     | Enable  |  |  |  |  |  |  |  |  |  |  |                         |  |  |  |  |  |  |  |  |  |  |  |  |  |  |  |
| G                | RW  | RXFRAMEEND        |          |       | Enable or disable interrupt for RXFRAMEEND event<br>See <a href="#">EVENTS_RXFRAMESTART</a>     |  |  |  |  |  |  |  |  |  |  |                         |  |  |  |  |  |  |  |  |  |  |  |  |  |  |  |
|                  |   |                   | Disabled | 0     | Disable   |  |  |  |  |  |  |  |  |  |  |                         |  |  |  |  |  |  |  |  |  |  |  |  |  |  |  |
|                  |   |                   | Enabled  | 1     | Enable  |  |  |  |  |  |  |  |  |  |  |                         |  |  |  |  |  |  |  |  |  |  |  |  |  |  |  |
| H                | RW  | ERROR             |          |       | Enable or disable interrupt for ERROR event<br>See <a href="#">EVENTS_RXFRAMEEND</a>            |  |  |  |  |  |  |  |  |  |  |                         |  |  |  |  |  |  |  |  |  |  |  |  |  |  |  |
|                  |   |                   | Disabled | 0     | Disable   |  |  |  |  |  |  |  |  |  |  |                         |  |  |  |  |  |  |  |  |  |  |  |  |  |  |  |
|                  |   |                   | Enabled  | 1     | Enable  |  |  |  |  |  |  |  |  |  |  |                         |  |  |  |  |  |  |  |  |  |  |  |  |  |  |  |
| K                | RW  | RXERROR           |          |       | Enable or disable interrupt for RXERROR event<br>See <a href="#">EVENTS_ERROR</a>               |  |  |  |  |  |  |  |  |  |  |                         |  |  |  |  |  |  |  |  |  |  |  |  |  |  |  |
|                  |   |                   | Disabled | 0     | Disable   |  |  |  |  |  |  |  |  |  |  |                         |  |  |  |  |  |  |  |  |  |  |  |  |  |  |  |
|                  |   |                   | Enabled  | 1     | Enable  |  |  |  |  |  |  |  |  |  |  |                         |  |  |  |  |  |  |  |  |  |  |  |  |  |  |  |
| L                | RW  | ENDRX             |          |       | Enable or disable interrupt for ENDRX event<br>See <a href="#">EVENTS_RXERROR</a>               |  |  |  |  |  |  |  |  |  |  |                         |  |  |  |  |  |  |  |  |  |  |  |  |  |  |  |
|                  |   |                   | Disabled | 0     | Disable   |  |  |  |  |  |  |  |  |  |  |                         |  |  |  |  |  |  |  |  |  |  |  |  |  |  |  |
|                  |   |                   | Enabled  | 1     | Enable  |  |  |  |  |  |  |  |  |  |  |                         |  |  |  |  |  |  |  |  |  |  |  |  |  |  |  |
| M                | RW  | ENDTX             |          |       | Enable or disable interrupt for ENDTX event<br>See <a href="#">EVENTS_ENDRX</a>                 |  |  |  |  |  |  |  |  |  |  |                         |  |  |  |  |  |  |  |  |  |  |  |  |  |  |  |
|                  |   |                   | Disabled | 0     | Disable   |  |  |  |  |  |  |  |  |  |  |                         |  |  |  |  |  |  |  |  |  |  |  |  |  |  |  |
|                  |   |                   | Enabled  | 1     | Enable  |  |  |  |  |  |  |  |  |  |  |                         |  |  |  |  |  |  |  |  |  |  |  |  |  |  |  |
| N                | RW  | AUTOCOLRESSTARTED |          |       | Enable or disable interrupt for AUTOCOLRESSTARTED event<br>See <a href="#">EVENTS_ENDTX</a>     |  |  |  |  |  |  |  |  |  |  |                         |  |  |  |  |  |  |  |  |  |  |  |  |  |  |  |
|                  |   |                   | Disabled | 0     | Disable   |  |  |  |  |  |  |  |  |  |  |                         |  |  |  |  |  |  |  |  |  |  |  |  |  |  |  |
|                  |   |                   | Enabled  | 1     | Enable  |  |  |  |  |  |  |  |  |  |  |                         |  |  |  |  |  |  |  |  |  |  |  |  |  |  |  |
| R                | RW  | COLLISION         |          |       | Enable or disable interrupt for COLLISION event<br>See <a href="#">EVENTS_AUTOCOLRESSTARTED</a> |  |  |  |  |  |  |  |  |  |  |                         |  |  |  |  |  |  |  |  |  |  |  |  |  |  |  |
|                  |   |                   | Disabled | 0     | Disable   |  |  |  |  |  |  |  |  |  |  |                         |  |  |  |  |  |  |  |  |  |  |  |  |  |  |  |
|                  |   |                   | Enabled  | 1     | Enable  |  |  |  |  |  |  |  |  |  |  |                         |  |  |  |  |  |  |  |  |  |  |  |  |  |  |  |
| S                | RW  | SELECTED          |          |       | Enable or disable interrupt for SELECTED event<br>See <a href="#">EVENTS_COLLISION</a>          |  |  |  |  |  |  |  |  |  |  |                         |  |  |  |  |  |  |  |  |  |  |  |  |  |  |  |
|                  |   |                   | Disabled | 0     | Disable   |  |  |  |  |  |  |  |  |  |  |                         |  |  |  |  |  |  |  |  |  |  |  |  |  |  |  |
|                  |   |                   | Enabled  | 1     | Enable  |  |  |  |  |  |  |  |  |  |  |                         |  |  |  |  |  |  |  |  |  |  |  |  |  |  |  |
| T                | RW  | STARTED           |          |       | Enable or disable interrupt for STARTED event<br>See <a href="#">EVENTS_SELECTED</a>            |  |  |  |  |  |  |  |  |  |  |                         |  |  |  |  |  |  |  |  |  |  |  |  |  |  |  |
|                  |   |                   | Disabled | 0     | Disable   |  |  |  |  |  |  |  |  |  |  |                         |  |  |  |  |  |  |  |  |  |  |  |  |  |  |  |
|                  |   |                   | Enabled  | 1     | Enable  |  |  |  |  |  |  |  |  |  |  |                         |  |  |  |  |  |  |  |  |  |  |  |  |  |  |  |

### 42.12.3 INTENSET

Address offset: 0x304

Enable interrupt

| Bit number       | 31 30 29 28 27 26 25 24 23 22 21 20 19 18 17 16 15 14 13 12 11 10 9 8 7 6 5 4 3 2 1 0 |       |          |       |   |  |  |  |  |  |  |  |  |  |  |                         |  |  |  |  |  |  |  |  |  |  |  |  |  |  |  |
|------------------|---|-------|----------|-------|---|--|--|--|--|--|--|--|--|--|--|-------------------------|--|--|--|--|--|--|--|--|--|--|--|--|--|--|--|
| Id               | T S R   |       |          |       |   |  |  |  |  |  |  |  |  |  |  | N M L K H G F E D C B A |  |  |  |  |  |  |  |  |  |  |  |  |  |  |  |
| Reset 0x00000000 | 0             |       |          |       |   |  |  |  |  |  |  |  |  |  |  |                         |  |  |  |  |  |  |  |  |  |  |  |  |  |  |  |
| Id               | RW  | Field | Value Id | Value | Description   |  |  |  |  |  |  |  |  |  |  |                         |  |  |  |  |  |  |  |  |  |  |  |  |  |  |  |
| A                | RW  | READY |          |       | Write '1' to Enable interrupt for READY event<br>See <a href="#">EVENTS_STARTED</a> |  |  |  |  |  |  |  |  |  |  |                         |  |  |  |  |  |  |  |  |  |  |  |  |  |  |  |
|                  |   |       | Disabled | 0     | Disable   |  |  |  |  |  |  |  |  |  |  |                         |  |  |  |  |  |  |  |  |  |  |  |  |  |  |  |
|                  |   |       | Enabled  | 1     | Enable  |  |  |  |  |  |  |  |  |  |  |                         |  |  |  |  |  |  |  |  |  |  |  |  |  |  |  |



| Bit number       | 31 30 29 28 27 26 25 24 23 22 21 20 19 18 17 16 15 14 13 12 11 10 9 8 7 6 5 4 3 2 1 0 |                   |          |       |   |  |  |  |  |  |  |  |  |  |  |   |   |   |  |  |  |   |   |   |   |  |  |  |   |   |   |   |   |   |   |   |
|------------------|---|-------------------|----------|-------|---|--|--|--|--|--|--|--|--|--|--|---|---|---|--|--|--|---|---|---|---|--|--|--|---|---|---|---|---|---|---|---|
| Id               |   |                   |          |       |   |  |  |  |  |  |  |  |  |  |  | T | S | R |  |  |  | N | M | L | K |  |  |  | H | G | F | E | D | C | B | A |
| Reset 0x00000000 | 0             |                   |          |       |   |  |  |  |  |  |  |  |  |  |  |   |   |   |  |  |  |   |   |   |   |  |  |  |   |   |   |   |   |   |   |   |
| Id               | RW  | Field             | Value Id | Value | Description   |  |  |  |  |  |  |  |  |  |  |   |   |   |  |  |  |   |   |   |   |  |  |  |   |   |   |   |   |   |   |   |
|                  |   |                   | Disabled | 0     | Read: Disabled  |  |  |  |  |  |  |  |  |  |  |   |   |   |  |  |  |   |   |   |   |  |  |  |   |   |   |   |   |   |   |   |
|                  |   |                   | Enabled  | 1     | Read: Enabled   |  |  |  |  |  |  |  |  |  |  |   |   |   |  |  |  |   |   |   |   |  |  |  |   |   |   |   |   |   |   |   |
| N                | RW  | AUTOCOLRESSTARTED |          |       | Write '1' to Enable interrupt for AUTOCOLRESSTARTED event<br>See <a href="#">EVENTS_AUTOCOLRESSTARTED</a> |  |  |  |  |  |  |  |  |  |  |   |   |   |  |  |  |   |   |   |   |  |  |  |   |   |   |   |   |   |   |   |
|                  |   |                   | Set      | 1     | Enable  |  |  |  |  |  |  |  |  |  |  |   |   |   |  |  |  |   |   |   |   |  |  |  |   |   |   |   |   |   |   |   |
|                  |   |                   | Disabled | 0     | Read: Disabled  |  |  |  |  |  |  |  |  |  |  |   |   |   |  |  |  |   |   |   |   |  |  |  |   |   |   |   |   |   |   |   |
|                  |   |                   | Enabled  | 1     | Read: Enabled   |  |  |  |  |  |  |  |  |  |  |   |   |   |  |  |  |   |   |   |   |  |  |  |   |   |   |   |   |   |   |   |
| R                | RW  | COLLISION         |          |       | Write '1' to Enable interrupt for COLLISION event<br>See <a href="#">EVENTS_COLLISION</a>                 |  |  |  |  |  |  |  |  |  |  |   |   |   |  |  |  |   |   |   |   |  |  |  |   |   |   |   |   |   |   |   |
|                  |   |                   | Set      | 1     | Enable  |  |  |  |  |  |  |  |  |  |  |   |   |   |  |  |  |   |   |   |   |  |  |  |   |   |   |   |   |   |   |   |
|                  |   |                   | Disabled | 0     | Read: Disabled  |  |  |  |  |  |  |  |  |  |  |   |   |   |  |  |  |   |   |   |   |  |  |  |   |   |   |   |   |   |   |   |
|                  |   |                   | Enabled  | 1     | Read: Enabled   |  |  |  |  |  |  |  |  |  |  |   |   |   |  |  |  |   |   |   |   |  |  |  |   |   |   |   |   |   |   |   |
| S                | RW  | SELECTED          |          |       | Write '1' to Enable interrupt for SELECTED event<br>See <a href="#">EVENTS_SELECTED</a>                   |  |  |  |  |  |  |  |  |  |  |   |   |   |  |  |  |   |   |   |   |  |  |  |   |   |   |   |   |   |   |   |
|                  |   |                   | Set      | 1     | Enable  |  |  |  |  |  |  |  |  |  |  |   |   |   |  |  |  |   |   |   |   |  |  |  |   |   |   |   |   |   |   |   |
|                  |   |                   | Disabled | 0     | Read: Disabled  |  |  |  |  |  |  |  |  |  |  |   |   |   |  |  |  |   |   |   |   |  |  |  |   |   |   |   |   |   |   |   |
|                  |   |                   | Enabled  | 1     | Read: Enabled   |  |  |  |  |  |  |  |  |  |  |   |   |   |  |  |  |   |   |   |   |  |  |  |   |   |   |   |   |   |   |   |
| T                | RW  | STARTED           |          |       | Write '1' to Enable interrupt for STARTED event<br>See <a href="#">EVENTS_STARTED</a>                     |  |  |  |  |  |  |  |  |  |  |   |   |   |  |  |  |   |   |   |   |  |  |  |   |   |   |   |   |   |   |   |
|                  |   |                   | Set      | 1     | Enable  |  |  |  |  |  |  |  |  |  |  |   |   |   |  |  |  |   |   |   |   |  |  |  |   |   |   |   |   |   |   |   |
|                  |   |                   | Disabled | 0     | Read: Disabled  |  |  |  |  |  |  |  |  |  |  |   |   |   |  |  |  |   |   |   |   |  |  |  |   |   |   |   |   |   |   |   |
|                  |   |                   | Enabled  | 1     | Read: Enabled   |  |  |  |  |  |  |  |  |  |  |   |   |   |  |  |  |   |   |   |   |  |  |  |   |   |   |   |   |   |   |   |

## 42.12.4 INTENCLR

Address offset: 0x308

Disable interrupt

| Bit number       | 31 30 29 28 27 26 25 24 23 22 21 20 19 18 17 16 15 14 13 12 11 10 9 8 7 6 5 4 3 2 1 0 |               |          |       |  |  |  |  |  |  |  |  |  |  |  |   |   |   |  |  |  |   |   |   |   |  |  |  |   |   |   |   |   |   |   |   |
|------------------|---|---------------|----------|-------|--|--|--|--|--|--|--|--|--|--|--|---|---|---|--|--|--|---|---|---|---|--|--|--|---|---|---|---|---|---|---|---|
| Id               |   |               |          |       |  |  |  |  |  |  |  |  |  |  |  | T | S | R |  |  |  | N | M | L | K |  |  |  | H | G | F | E | D | C | B | A |
| Reset 0x00000000 | 0             |               |          |       |  |  |  |  |  |  |  |  |  |  |  |   |   |   |  |  |  |   |   |   |   |  |  |  |   |   |   |   |   |   |   |   |
| Id               | RW  | Field         | Value Id | Value | Description  |  |  |  |  |  |  |  |  |  |  |   |   |   |  |  |  |   |   |   |   |  |  |  |   |   |   |   |   |   |   |   |
| A                | RW  | READY         |          |       | Write '1' to Disable interrupt for READY event<br>See <a href="#">EVENTS_READY</a>                 |  |  |  |  |  |  |  |  |  |  |   |   |   |  |  |  |   |   |   |   |  |  |  |   |   |   |   |   |   |   |   |
|                  |   |               | Clear    | 1     | Disable  |  |  |  |  |  |  |  |  |  |  |   |   |   |  |  |  |   |   |   |   |  |  |  |   |   |   |   |   |   |   |   |
|                  |   |               | Disabled | 0     | Read: Disabled   |  |  |  |  |  |  |  |  |  |  |   |   |   |  |  |  |   |   |   |   |  |  |  |   |   |   |   |   |   |   |   |
|                  |   |               | Enabled  | 1     | Read: Enabled  |  |  |  |  |  |  |  |  |  |  |   |   |   |  |  |  |   |   |   |   |  |  |  |   |   |   |   |   |   |   |   |
| B                | RW  | FIELDDETECTED |          |       | Write '1' to Disable interrupt for FIELDDETECTED event<br>See <a href="#">EVENTS_FIELDDETECTED</a> |  |  |  |  |  |  |  |  |  |  |   |   |   |  |  |  |   |   |   |   |  |  |  |   |   |   |   |   |   |   |   |
|                  |   |               | Clear    | 1     | Disable  |  |  |  |  |  |  |  |  |  |  |   |   |   |  |  |  |   |   |   |   |  |  |  |   |   |   |   |   |   |   |   |
|                  |   |               | Disabled | 0     | Read: Disabled   |  |  |  |  |  |  |  |  |  |  |   |   |   |  |  |  |   |   |   |   |  |  |  |   |   |   |   |   |   |   |   |
|                  |   |               | Enabled  | 1     | Read: Enabled  |  |  |  |  |  |  |  |  |  |  |   |   |   |  |  |  |   |   |   |   |  |  |  |   |   |   |   |   |   |   |   |
| C                | RW  | FIELDLOST     |          |       | Write '1' to Disable interrupt for FIELDLOST event<br>See <a href="#">EVENTS_FIELDLOST</a>         |  |  |  |  |  |  |  |  |  |  |   |   |   |  |  |  |   |   |   |   |  |  |  |   |   |   |   |   |   |   |   |
|                  |   |               | Clear    | 1     | Disable  |  |  |  |  |  |  |  |  |  |  |   |   |   |  |  |  |   |   |   |   |  |  |  |   |   |   |   |   |   |   |   |
|                  |   |               | Disabled | 0     | Read: Disabled   |  |  |  |  |  |  |  |  |  |  |   |   |   |  |  |  |   |   |   |   |  |  |  |   |   |   |   |   |   |   |   |
|                  |   |               | Enabled  | 1     | Read: Enabled  |  |  |  |  |  |  |  |  |  |  |   |   |   |  |  |  |   |   |   |   |  |  |  |   |   |   |   |   |   |   |   |
| D                | RW  | TXFRAMESTART  |          |       | Write '1' to Disable interrupt for TXFRAMESTART event<br>See <a href="#">EVENTS_TXFRAMESTART</a>   |  |  |  |  |  |  |  |  |  |  |   |   |   |  |  |  |   |   |   |   |  |  |  |   |   |   |   |   |   |   |   |
|                  |   |               | Clear    | 1     | Disable  |  |  |  |  |  |  |  |  |  |  |   |   |   |  |  |  |   |   |   |   |  |  |  |   |   |   |   |   |   |   |   |
|                  |   |               | Disabled | 0     | Read: Disabled   |  |  |  |  |  |  |  |  |  |  |   |   |   |  |  |  |   |   |   |   |  |  |  |   |   |   |   |   |   |   |   |
|                  |   |               | Enabled  | 1     | Read: Enabled  |  |  |  |  |  |  |  |  |  |  |   |   |   |  |  |  |   |   |   |   |  |  |  |   |   |   |   |   |   |   |   |

|                  |    |    |    |    |    |    |    |    |    |    |    |    |    |    |    |    |    |    |    |    |    |    |   |   |   |   |   |   |   |   |   |   |   |   |   |  |  |   |   |   |   |   |   |   |   |
|------------------|----|----|----|----|----|----|----|----|----|----|----|----|----|----|----|----|----|----|----|----|----|----|---|---|---|---|---|---|---|---|---|---|---|---|---|--|--|---|---|---|---|---|---|---|---|
| Bit number       | 31 | 30 | 29 | 28 | 27 | 26 | 25 | 24 | 23 | 22 | 21 | 20 | 19 | 18 | 17 | 16 | 15 | 14 | 13 | 12 | 11 | 10 | 9 | 8 | 7 | 6 | 5 | 4 | 3 | 2 | 1 | 0 |   |   |   |  |  |   |   |   |   |   |   |   |   |
| Id               |    |    |    |    |    |    |    |    |    |    | T  | S  | R  |    |    |    |    |    |    |    |    |    |   | N | M | L | K |   |   |   |   |   |   |   |   |  |  | H | G | F | E | D | C | B | A |
| Reset 0x00000000 | 0  | 0  | 0  | 0  | 0  | 0  | 0  | 0  | 0  | 0  | 0  | 0  | 0  | 0  | 0  | 0  | 0  | 0  | 0  | 0  | 0  | 0  | 0 | 0 | 0 | 0 | 0 | 0 | 0 | 0 | 0 | 0 | 0 | 0 | 0 |  |  |   |   |   |   |   |   |   |   |

| Id | RW | Field             | Value Id | Value | Description  |
|----|----|-------------------|----------|-------|--|
| E  | RW | TXFRAMEEND        |          |       | Write '1' to Disable interrupt for TXFRAMEEND event        |
|    |    |                   |          |       | See <a href="#">EVENTS_TXFRAMEEND</a>                      |
|    |    |                   | Clear    | 1     | Disable  |
|    |    |                   | Disabled | 0     | Read: Disabled   |
| F  | RW | RXFRAMESTART      | Enabled  | 1     | Read: Enabled  |
|    |    |                   |          |       | Write '1' to Disable interrupt for RXFRAMESTART event      |
|    |    |                   |          |       | See <a href="#">EVENTS_RXFRAMESTART</a>                    |
|    |    |                   | Clear    | 1     | Disable  |
| G  | RW | RXFRAMEEND        | Disabled | 0     | Read: Disabled   |
|    |    |                   | Enabled  | 1     | Read: Enabled  |
|    |    |                   |          |       | Write '1' to Disable interrupt for RXFRAMEEND event        |
|    |    |                   |          |       | See <a href="#">EVENTS_RXFRAMEEND</a>                      |
| H  | RW | ERROR             | Clear    | 1     | Disable  |
|    |    |                   | Disabled | 0     | Read: Disabled   |
|    |    |                   | Enabled  | 1     | Read: Enabled  |
|    |    |                   |          |       | Write '1' to Disable interrupt for ERROR event             |
| K  | RW | RXERROR           |          |       | See <a href="#">EVENTS_ERROR</a>                           |
|    |    |                   |          |       | Write '1' to Disable interrupt for RXERROR event           |
|    |    |                   |          |       | See <a href="#">EVENTS_RXERROR</a>                         |
|    |    |                   | Clear    | 1     | Disable  |
| L  | RW | ENDRX             | Disabled | 0     | Read: Disabled   |
|    |    |                   | Enabled  | 1     | Read: Enabled  |
|    |    |                   |          |       | Write '1' to Disable interrupt for ENDRX event             |
|    |    |                   |          |       | See <a href="#">EVENTS_ENDRX</a>                           |
| M  | RW | ENDTX             | Clear    | 1     | Disable  |
|    |    |                   | Disabled | 0     | Read: Disabled   |
|    |    |                   | Enabled  | 1     | Read: Enabled  |
|    |    |                   |          |       | Write '1' to Disable interrupt for ENDTX event             |
| N  | RW | AUTOCOLRESSTARTED |          |       | See <a href="#">EVENTS_ENDTX</a>                           |
|    |    |                   |          |       | Write '1' to Disable interrupt for AUTOCOLRESSTARTED event |
|    |    |                   |          |       | See <a href="#">EVENTS_AUTOCOLRESSTARTED</a>               |
|    |    |                   | Clear    | 1     | Disable  |
| R  | RW | COLLISION         | Disabled | 0     | Read: Disabled   |
|    |    |                   | Enabled  | 1     | Read: Enabled  |
|    |    |                   |          |       | Write '1' to Disable interrupt for COLLISION event         |
|    |    |                   |          |       | See <a href="#">EVENTS_COLLISION</a>                       |
| S  | RW | SELECTED          | Clear    | 1     | Disable  |
|    |    |                   | Disabled | 0     | Read: Disabled   |
|    |    |                   | Enabled  | 1     | Read: Enabled  |
|    |    |                   |          |       | Write '1' to Disable interrupt for SELECTED event          |
| T  | RW | STARTED           |          |       | See <a href="#">EVENTS_SELECTED</a>                        |
|    |    |                   |          |       | Write '1' to Disable interrupt for STARTED event           |
|    |    |                   |          |       |  |
|    |    |                   |          |       |  |

| Bit number       | 31 | 30    | 29       | 28    | 27                                 | 26 | 25 | 24 | 23 | 22 | 21 | 20 | 19 | 18 | 17 | 16 | 15 | 14 | 13 | 12 | 11 | 10 | 9 | 8 | 7 | 6 | 5 | 4 | 3 | 2 | 1 | 0 |   |   |  |  |  |   |   |   |   |   |   |   |   |
|------------------|----|-------|----------|-------|------------------------------------|----|----|----|----|----|----|----|----|----|----|----|----|----|----|----|----|----|---|---|---|---|---|---|---|---|---|---|---|---|--|--|--|---|---|---|---|---|---|---|---|
| Id               |    |       |          |       |                                    |    |    |    |    |    | T  | S  | R  |    |    |    |    |    |    |    |    |    |   | N | M | L | K |   |   |   |   |   |   |   |  |  |  | H | G | F | E | D | C | B | A |
| Reset 0x00000000 | 0  | 0     | 0        | 0     | 0                                  | 0  | 0  | 0  | 0  | 0  | 0  | 0  | 0  | 0  | 0  | 0  | 0  | 0  | 0  | 0  | 0  | 0  | 0 | 0 | 0 | 0 | 0 | 0 | 0 | 0 | 0 | 0 | 0 | 0 |  |  |  |   |   |   |   |   |   |   |   |
| Id               | RW | Field | Value Id | Value | Description                        |    |    |    |    |    |    |    |    |    |    |    |    |    |    |    |    |    |   |   |   |   |   |   |   |   |   |   |   |   |  |  |  |   |   |   |   |   |   |   |   |
|                  |    |       |          |       | See <a href="#">EVENTS_STARTED</a> |    |    |    |    |    |    |    |    |    |    |    |    |    |    |    |    |    |   |   |   |   |   |   |   |   |   |   |   |   |  |  |  |   |   |   |   |   |   |   |   |
|                  |    |       | Clear    | 1     | Disable                            |    |    |    |    |    |    |    |    |    |    |    |    |    |    |    |    |    |   |   |   |   |   |   |   |   |   |   |   |   |  |  |  |   |   |   |   |   |   |   |   |
|                  |    |       | Disabled | 0     | Read: Disabled                     |    |    |    |    |    |    |    |    |    |    |    |    |    |    |    |    |    |   |   |   |   |   |   |   |   |   |   |   |   |  |  |  |   |   |   |   |   |   |   |   |
|                  |    |       | Enabled  | 1     | Read: Enabled                      |    |    |    |    |    |    |    |    |    |    |    |    |    |    |    |    |    |   |   |   |   |   |   |   |   |   |   |   |   |  |  |  |   |   |   |   |   |   |   |   |

### 42.12.5 ERRORSTATUS

Address offset: 0x404

NFC Error Status register

Write a bit to '1' to clear it. Writing '0' has no effect.

| Bit number       | 31 | 30                | 29       | 28    | 27   | 26 | 25 | 24 | 23 | 22 | 21 | 20 | 19 | 18 | 17 | 16 | 15 | 14 | 13 | 12 | 11 | 10 | 9 | 8 | 7 | 6 | 5 | 4 | 3 | 2 | 1 | 0 |
|------------------|----|-------------------|----------|-------|--|----|----|----|----|----|----|----|----|----|----|----|----|----|----|----|----|----|---|---|---|---|---|---|---|---|---|---|
| Id               |    |                   |          |       |  |    |    |    |    |    |    |    |    |    |    |    |    |    |    |    |    |    |   |   |   |   | D | C | A |   |   |   |
| Reset 0x00000000 | 0  | 0                 | 0        | 0     | 0  | 0  | 0  | 0  | 0  | 0  | 0  | 0  | 0  | 0  | 0  | 0  | 0  | 0  | 0  | 0  | 0  | 0  | 0 | 0 | 0 | 0 | 0 | 0 | 0 | 0 | 0 | 0 |
| Id               | RW | Field             | Value Id | Value | Description  |    |    |    |    |    |    |    |    |    |    |    |    |    |    |    |    |    |   |   |   |   |   |   |   |   |   |   |
| A                | RW | FRAMEDELAYTIMEOUT |          |       | No STARTTX task triggered before expiration of the time set in FRAMEDELAYMAX |    |    |    |    |    |    |    |    |    |    |    |    |    |    |    |    |    |   |   |   |   |   |   |   |   |   |   |
| C                | RW | NFCFIELDTOOSTRONG |          |       | Field level is too high at max load resistance                               |    |    |    |    |    |    |    |    |    |    |    |    |    |    |    |    |    |   |   |   |   |   |   |   |   |   |   |
| D                | RW | NFCFIELDTOOWEAK   |          |       | Field level is too low at min load resistance                                |    |    |    |    |    |    |    |    |    |    |    |    |    |    |    |    |    |   |   |   |   |   |   |   |   |   |   |

### 42.12.6 FRAMESTATUS.RX

Address offset: 0x40C

Result of last incoming frames

Write a bit to '1' to clear it. Writing '0' has no effect.

| Bit number       | 31 | 30           | 29          | 28    | 27                                      | 26 | 25 | 24 | 23 | 22 | 21 | 20 | 19 | 18 | 17 | 16 | 15 | 14 | 13 | 12 | 11 | 10 | 9 | 8 | 7 | 6 | 5 | 4 | 3 | 2 | 1 | 0 |
|------------------|----|--------------|-------------|-------|---|----|----|----|----|----|----|----|----|----|----|----|----|----|----|----|----|----|---|---|---|---|---|---|---|---|---|---|
| Id               |    |              |             |       |   |    |    |    |    |    |    |    |    |    |    |    |    |    |    |    |    |    |   |   |   |   | C | B | A |   |   |   |
| Reset 0x00000000 | 0  | 0            | 0           | 0     | 0                                       | 0  | 0  | 0  | 0  | 0  | 0  | 0  | 0  | 0  | 0  | 0  | 0  | 0  | 0  | 0  | 0  | 0  | 0 | 0 | 0 | 0 | 0 | 0 | 0 | 0 | 0 | 0 |
| Id               | RW | Field        | Value Id    | Value | Description                             |    |    |    |    |    |    |    |    |    |    |    |    |    |    |    |    |    |   |   |   |   |   |   |   |   |   |   |
| A                | RW | CRCERROR     |             |       | No valid End of Frame detected          |    |    |    |    |    |    |    |    |    |    |    |    |    |    |    |    |    |   |   |   |   |   |   |   |   |   |   |
|                  |    |              | CRCCorrect  | 0     | Valid CRC detected                      |    |    |    |    |    |    |    |    |    |    |    |    |    |    |    |    |    |   |   |   |   |   |   |   |   |   |   |
|                  |    |              | CRCError    | 1     | CRC received does not match local check |    |    |    |    |    |    |    |    |    |    |    |    |    |    |    |    |    |   |   |   |   |   |   |   |   |   |   |
| B                | RW | PARITYSTATUS |             |       | Parity status of received frame         |    |    |    |    |    |    |    |    |    |    |    |    |    |    |    |    |    |   |   |   |   |   |   |   |   |   |   |
|                  |    |              | ParityOK    | 0     | Frame received with parity OK           |    |    |    |    |    |    |    |    |    |    |    |    |    |    |    |    |    |   |   |   |   |   |   |   |   |   |   |
|                  |    |              | ParityError | 1     | Frame received with parity error        |    |    |    |    |    |    |    |    |    |    |    |    |    |    |    |    |    |   |   |   |   |   |   |   |   |   |   |
| C                | RW | OVERRUN      |             |       | Overrun detected                        |    |    |    |    |    |    |    |    |    |    |    |    |    |    |    |    |    |   |   |   |   |   |   |   |   |   |   |
|                  |    |              | NoOverrun   | 0     | No overrun detected                     |    |    |    |    |    |    |    |    |    |    |    |    |    |    |    |    |    |   |   |   |   |   |   |   |   |   |   |
|                  |    |              | Overrun     | 1     | Overrun error                           |    |    |    |    |    |    |    |    |    |    |    |    |    |    |    |    |    |   |   |   |   |   |   |   |   |   |   |

### 42.12.7 CURRENTLOADCTRL

Address offset: 0x430

Current value driven to the NFC Load Control

| Bit number       | 31 | 30              | 29       | 28    | 27   | 26 | 25 | 24 | 23 | 22 | 21 | 20 | 19 | 18 | 17 | 16 | 15 | 14 | 13 | 12 | 11 | 10 | 9 | 8 | 7 | 6 | 5 | 4 | 3 | 2 | 1 | 0 |
|------------------|----|-----------------|----------|-------|--|----|----|----|----|----|----|----|----|----|----|----|----|----|----|----|----|----|---|---|---|---|---|---|---|---|---|---|
| Id               |    |                 |          |       |  |    |    |    |    |    |    |    |    |    |    |    |    |    |    |    |    |    |   |   |   |   | A | A | A | A | A |   |
| Reset 0x00000000 | 0  | 0               | 0        | 0     | 0  | 0  | 0  | 0  | 0  | 0  | 0  | 0  | 0  | 0  | 0  | 0  | 0  | 0  | 0  | 0  | 0  | 0  | 0 | 0 | 0 | 0 | 0 | 0 | 0 | 0 | 0 |   |
| Id               | RW | Field           | Value Id | Value | Description                                  |    |    |    |    |    |    |    |    |    |    |    |    |    |    |    |    |    |   |   |   |   |   |   |   |   |   |   |
| A                | R  | CURRENTLOADCTRL |          |       | Current value driven to the NFC Load Control |    |    |    |    |    |    |    |    |    |    |    |    |    |    |    |    |    |   |   |   |   |   |   |   |   |   |   |

### 42.12.8 FIELDPRESENT

Address offset: 0x43C

Indicates the presence or not of a valid field

| Bit number | 31 30 29 28 27 26 25 24 23 22 21 20 19 18 17 16 15 14 13 12 11 10 9 8 7 6 5 4 3 2 1 0 |              |              |       |  |  |  |  |  |  |  |  |  |  |  |  |  |  |  |  |  |  |  |  |  |  |  |  |  |  |   |   |
|------------|---|--------------|--------------|-------|--|--|--|--|--|--|--|--|--|--|--|--|--|--|--|--|--|--|--|--|--|--|--|--|--|--|---|---|
| Id         |   |              |              |       |  |  |  |  |  |  |  |  |  |  |  |  |  |  |  |  |  |  |  |  |  |  |  |  |  |  | B | A |
| Reset      | 0x00000000  |              |              |       |  |  |  |  |  |  |  |  |  |  |  |  |  |  |  |  |  |  |  |  |  |  |  |  |  |  |   |   |
| Reset      | 0             |              |              |       |  |  |  |  |  |  |  |  |  |  |  |  |  |  |  |  |  |  |  |  |  |  |  |  |  |  |   |   |
| Id         | RW  | Field        | Value Id     | Value | Description  |  |  |  |  |  |  |  |  |  |  |  |  |  |  |  |  |  |  |  |  |  |  |  |  |  |   |   |
| A          | R   | FIELDPRESENT |              |       | Indicates the presence or not of a valid field. Available only in the activated state. |  |  |  |  |  |  |  |  |  |  |  |  |  |  |  |  |  |  |  |  |  |  |  |  |  |   |   |
|            |   |              | NoField      | 0     | No valid field detected  |  |  |  |  |  |  |  |  |  |  |  |  |  |  |  |  |  |  |  |  |  |  |  |  |  |   |   |
|            |   |              | FieldPresent | 1     | Valid field detected   |  |  |  |  |  |  |  |  |  |  |  |  |  |  |  |  |  |  |  |  |  |  |  |  |  |   |   |
| B          | R   | LOCKDETECT   |              |       | Indicates if the low level has locked to the field                                     |  |  |  |  |  |  |  |  |  |  |  |  |  |  |  |  |  |  |  |  |  |  |  |  |  |   |   |
|            |   |              | NotLocked    | 0     | Not locked to field  |  |  |  |  |  |  |  |  |  |  |  |  |  |  |  |  |  |  |  |  |  |  |  |  |  |   |   |
|            |   |              | Locked       | 1     | Locked to field  |  |  |  |  |  |  |  |  |  |  |  |  |  |  |  |  |  |  |  |  |  |  |  |  |  |   |   |

### 42.12.9 FRAMEDELAYMIN

Address offset: 0x504

Minimum frame delay

| Bit number | 31 30 29 28 27 26 25 24 23 22 21 20 19 18 17 16 15 14 13 12 11 10 9 8 7 6 5 4 3 2 1 0 |               |          |       |   |  |  |  |  |  |  |  |  |  |  |  |  |  |  |  |  |  |  |  |  |  |  |  |  |  |   |   |   |   |   |   |   |   |   |   |   |   |   |   |   |   |   |   |   |   |   |   |   |   |   |   |   |   |
|------------|---|---------------|----------|-------|---|--|--|--|--|--|--|--|--|--|--|--|--|--|--|--|--|--|--|--|--|--|--|--|--|--|---|---|---|---|---|---|---|---|---|---|---|---|---|---|---|---|---|---|---|---|---|---|---|---|---|---|---|---|
| Id         |   |               |          |       |   |  |  |  |  |  |  |  |  |  |  |  |  |  |  |  |  |  |  |  |  |  |  |  |  |  | A | A | A | A | A | A | A | A | A | A | A | A | A | A | A | A | A | A | A | A | A | A | A | A | A | A | A | A |
| Reset      | 0x00000480  |               |          |       |   |  |  |  |  |  |  |  |  |  |  |  |  |  |  |  |  |  |  |  |  |  |  |  |  |  |   |   |   |   |   |   |   |   |   |   |   |   |   |   |   |   |   |   |   |   |   |   |   |   |   |   |   |   |
| Reset      | 0             |               |          |       |   |  |  |  |  |  |  |  |  |  |  |  |  |  |  |  |  |  |  |  |  |  |  |  |  |  |   |   |   |   |   |   |   |   |   |   |   |   |   |   |   |   |   |   |   |   |   |   |   |   |   |   |   |   |
| Id         | RW  | Field         | Value Id | Value | Description                                       |  |  |  |  |  |  |  |  |  |  |  |  |  |  |  |  |  |  |  |  |  |  |  |  |  |   |   |   |   |   |   |   |   |   |   |   |   |   |   |   |   |   |   |   |   |   |   |   |   |   |   |   |   |
| A          | RW  | FRAMEDELAYMIN |          |       | Minimum frame delay in number of 13.56 MHz clocks |  |  |  |  |  |  |  |  |  |  |  |  |  |  |  |  |  |  |  |  |  |  |  |  |  |   |   |   |   |   |   |   |   |   |   |   |   |   |   |   |   |   |   |   |   |   |   |   |   |   |   |   |   |

### 42.12.10 FRAMEDELAYMAX

Address offset: 0x508

Maximum frame delay

| Bit number | 31 30 29 28 27 26 25 24 23 22 21 20 19 18 17 16 15 14 13 12 11 10 9 8 7 6 5 4 3 2 1 0 |               |          |       |   |  |  |  |  |  |  |  |  |  |  |  |  |  |  |  |  |  |  |  |  |  |  |  |  |  |   |   |   |   |   |   |   |   |   |   |   |   |   |   |   |   |   |   |   |   |   |   |   |   |   |   |   |   |
|------------|---|---------------|----------|-------|---|--|--|--|--|--|--|--|--|--|--|--|--|--|--|--|--|--|--|--|--|--|--|--|--|--|---|---|---|---|---|---|---|---|---|---|---|---|---|---|---|---|---|---|---|---|---|---|---|---|---|---|---|---|
| Id         |   |               |          |       |   |  |  |  |  |  |  |  |  |  |  |  |  |  |  |  |  |  |  |  |  |  |  |  |  |  | A | A | A | A | A | A | A | A | A | A | A | A | A | A | A | A | A | A | A | A | A | A | A | A | A | A | A | A |
| Reset      | 0x00001000  |               |          |       |   |  |  |  |  |  |  |  |  |  |  |  |  |  |  |  |  |  |  |  |  |  |  |  |  |  |   |   |   |   |   |   |   |   |   |   |   |   |   |   |   |   |   |   |   |   |   |   |   |   |   |   |   |   |
| Reset      | 0             |               |          |       |   |  |  |  |  |  |  |  |  |  |  |  |  |  |  |  |  |  |  |  |  |  |  |  |  |  |   |   |   |   |   |   |   |   |   |   |   |   |   |   |   |   |   |   |   |   |   |   |   |   |   |   |   |   |
| Id         | RW  | Field         | Value Id | Value | Description                                       |  |  |  |  |  |  |  |  |  |  |  |  |  |  |  |  |  |  |  |  |  |  |  |  |  |   |   |   |   |   |   |   |   |   |   |   |   |   |   |   |   |   |   |   |   |   |   |   |   |   |   |   |   |
| A          | RW  | FRAMEDELAYMAX |          |       | Maximum frame delay in number of 13.56 MHz clocks |  |  |  |  |  |  |  |  |  |  |  |  |  |  |  |  |  |  |  |  |  |  |  |  |  |   |   |   |   |   |   |   |   |   |   |   |   |   |   |   |   |   |   |   |   |   |   |   |   |   |   |   |   |

### 42.12.11 FRAMEDELAYMODE

Address offset: 0x50C

Configuration register for the Frame Delay Timer

| Bit number | 31 30 29 28 27 26 25 24 23 22 21 20 19 18 17 16 15 14 13 12 11 10 9 8 7 6 5 4 3 2 1 0 |                |            |       |   |  |  |  |  |  |  |  |  |  |  |  |  |  |  |  |  |  |  |  |  |  |  |  |  |  |   |   |
|------------|---|----------------|------------|-------|---|--|--|--|--|--|--|--|--|--|--|--|--|--|--|--|--|--|--|--|--|--|--|--|--|--|---|---|
| Id         |   |                |            |       |   |  |  |  |  |  |  |  |  |  |  |  |  |  |  |  |  |  |  |  |  |  |  |  |  |  | A | A |
| Reset      | 0x00000001  |                |            |       |   |  |  |  |  |  |  |  |  |  |  |  |  |  |  |  |  |  |  |  |  |  |  |  |  |  |   |   |
| Reset      | 0 1             |                |            |       |   |  |  |  |  |  |  |  |  |  |  |  |  |  |  |  |  |  |  |  |  |  |  |  |  |  |   |   |
| Id         | RW  | Field          | Value Id   | Value | Description   |  |  |  |  |  |  |  |  |  |  |  |  |  |  |  |  |  |  |  |  |  |  |  |  |  |   |   |
| A          | RW  | FRAMEDELAYMODE |            |       | Configuration register for the Frame Delay Timer  |  |  |  |  |  |  |  |  |  |  |  |  |  |  |  |  |  |  |  |  |  |  |  |  |  |   |   |
|            |   |                | FreeRun    | 0     | Transmission is independent of frame timer and will start when the STARTTX task is triggered. No timeout. |  |  |  |  |  |  |  |  |  |  |  |  |  |  |  |  |  |  |  |  |  |  |  |  |  |   |   |
|            |   |                | Window     | 1     | Frame is transmitted between FRAMEDELAYMIN and FRAMEDELAYMAX  |  |  |  |  |  |  |  |  |  |  |  |  |  |  |  |  |  |  |  |  |  |  |  |  |  |   |   |
|            |   |                | ExactVal   | 2     | Frame is transmitted exactly at FRAMEDELAYMAX   |  |  |  |  |  |  |  |  |  |  |  |  |  |  |  |  |  |  |  |  |  |  |  |  |  |   |   |
|            |   |                | WindowGrid | 3     | Frame is transmitted on a bit grid between FRAMEDELAYMIN and FRAMEDELAYMAX                                |  |  |  |  |  |  |  |  |  |  |  |  |  |  |  |  |  |  |  |  |  |  |  |  |  |   |   |

### 42.12.12 PACKETPTR

Address offset: 0x510

Packet pointer for TXD and RXD data storage in Data RAM



| Bit number       | 31 | 30    | 29       | 28    | 27   | 26 | 25 | 24 | 23 | 22 | 21 | 20 | 19 | 18 | 17 | 16 | 15 | 14 | 13 | 12 | 11 | 10 | 9 | 8 | 7 | 6 | 5 | 4 | 3 | 2 | 1 | 0 |
|------------------|----|-------|----------|-------|--|----|----|----|----|----|----|----|----|----|----|----|----|----|----|----|----|----|---|---|---|---|---|---|---|---|---|---|
| Id               | A  | A     | A        | A     | A  | A  | A  | A  | A  | A  | A  | A  | A  | A  | A  | A  | A  | A  | A  | A  | A  | A  | A | A | A | A | A | A | A | A | A | A |
| Reset 0x00000000 | 0  | 0     | 0        | 0     | 0  | 0  | 0  | 0  | 0  | 0  | 0  | 0  | 0  | 0  | 0  | 0  | 0  | 0  | 0  | 0  | 0  | 0  | 0 | 0 | 0 | 0 | 0 | 0 | 0 | 0 | 0 | 0 |
| Id               | RW | Field | Value Id | Value | Description  |    |    |    |    |    |    |    |    |    |    |    |    |    |    |    |    |    |   |   |   |   |   |   |   |   |   |   |
| A                | RW | PTR   |          |       | Packet pointer for TXD and RXD data storage in Data RAM. This address is a byte aligned RAM address. |    |    |    |    |    |    |    |    |    |    |    |    |    |    |    |    |    |   |   |   |   |   |   |   |   |   |   |

### 42.12.13 MAXLEN

Address offset: 0x514

Size of allocated for TXD and RXD data storage buffer in Data RAM

| Bit number       | 31 | 30     | 29       | 28       | 27  | 26 | 25 | 24 | 23 | 22 | 21 | 20 | 19 | 18 | 17 | 16 | 15 | 14 | 13 | 12 | 11 | 10 | 9 | 8 | 7 | 6 | 5 | 4 | 3 | 2 | 1 | 0 |
|------------------|----|--------|----------|----------|---|----|----|----|----|----|----|----|----|----|----|----|----|----|----|----|----|----|---|---|---|---|---|---|---|---|---|---|
| Id               |    |        |          |          |   |    |    |    |    |    |    |    |    |    |    |    |    |    |    |    |    |    |   |   | A | A | A | A | A | A | A | A |
| Reset 0x00000000 | 0  | 0      | 0        | 0        | 0   | 0  | 0  | 0  | 0  | 0  | 0  | 0  | 0  | 0  | 0  | 0  | 0  | 0  | 0  | 0  | 0  | 0  | 0 | 0 | 0 | 0 | 0 | 0 | 0 | 0 | 0 | 0 |
| Id               | RW | Field  | Value Id | Value    | Description   |    |    |    |    |    |    |    |    |    |    |    |    |    |    |    |    |    |   |   |   |   |   |   |   |   |   |   |
| A                | RW | MAXLEN |          | [0..257] | Size of allocated for TXD and RXD data storage buffer in Data RAM |    |    |    |    |    |    |    |    |    |    |    |    |    |    |    |    |    |   |   |   |   |   |   |   |   |   |   |

### 42.12.14 TXD.FRAMECONFIG

Address offset: 0x518

Configuration of outgoing frames

| Bit number       | 31 | 30          | 29         | 28    | 27  | 26 | 25 | 24 | 23 | 22 | 21 | 20 | 19 | 18 | 17 | 16 | 15 | 14 | 13 | 12 | 11 | 10 | 9 | 8 | 7 | 6 | 5 | 4 | 3 | 2 | 1 | 0 |   |   |   |   |
|------------------|----|-------------|------------|-------|---|----|----|----|----|----|----|----|----|----|----|----|----|----|----|----|----|----|---|---|---|---|---|---|---|---|---|---|---|---|---|---|
| Id               |    |             |            |       |   |    |    |    |    |    |    |    |    |    |    |    |    |    |    |    |    |    |   |   |   |   |   |   |   |   |   |   | D | C | B | A |
| Reset 0x00000017 | 0  | 0           | 0          | 0     | 0   | 0  | 0  | 0  | 0  | 0  | 0  | 0  | 0  | 0  | 0  | 0  | 0  | 0  | 0  | 0  | 0  | 0  | 0 | 0 | 0 | 0 | 0 | 1 | 0 | 1 | 1 | 1 | 1 |   |   |   |
| Id               | RW | Field       | Value Id   | Value | Description   |    |    |    |    |    |    |    |    |    |    |    |    |    |    |    |    |    |   |   |   |   |   |   |   |   |   |   |   |   |   |   |
| A                | RW | PARITY      |            |       | Adding parity or not in the frame   |    |    |    |    |    |    |    |    |    |    |    |    |    |    |    |    |    |   |   |   |   |   |   |   |   |   |   |   |   |   |   |
|                  |    |             | NoParity   | 0     | Parity is not added in TX frames  |    |    |    |    |    |    |    |    |    |    |    |    |    |    |    |    |    |   |   |   |   |   |   |   |   |   |   |   |   |   |   |
| B                | RW | DISCARDMODE |            |       | Discarding unused bits in start or at end of a Frame  |    |    |    |    |    |    |    |    |    |    |    |    |    |    |    |    |    |   |   |   |   |   |   |   |   |   |   |   |   |   |   |
|                  |    |             | DiscardEnd | 0     | Unused bits is discarded at end of frame  |    |    |    |    |    |    |    |    |    |    |    |    |    |    |    |    |    |   |   |   |   |   |   |   |   |   |   |   |   |   |   |
| C                | RW | SOF         |            |       | Adding SoF or not in TX frames  |    |    |    |    |    |    |    |    |    |    |    |    |    |    |    |    |    |   |   |   |   |   |   |   |   |   |   |   |   |   |   |
|                  |    |             | NoSoF      | 0     | Start of Frame symbol not added   |    |    |    |    |    |    |    |    |    |    |    |    |    |    |    |    |    |   |   |   |   |   |   |   |   |   |   |   |   |   |   |
| D                | RW | CRCMODETX   |            |       | CRC mode for outgoing frames  |    |    |    |    |    |    |    |    |    |    |    |    |    |    |    |    |    |   |   |   |   |   |   |   |   |   |   |   |   |   |   |
|                  |    |             | NoCRCTX    | 0     | CRC is not added to the frame   |    |    |    |    |    |    |    |    |    |    |    |    |    |    |    |    |    |   |   |   |   |   |   |   |   |   |   |   |   |   |   |
|                  |    |             | CRC16TX    | 1     | 16 bit CRC added to the frame based on all the data read from RAM that is used in the frame |    |    |    |    |    |    |    |    |    |    |    |    |    |    |    |    |    |   |   |   |   |   |   |   |   |   |   |   |   |   |   |

### 42.12.15 TXD.AMOUNT

Address offset: 0x51C

Size of outgoing frame

| Bit number       | 31 | 30          | 29       | 28       | 27   | 26 | 25 | 24 | 23 | 22 | 21 | 20 | 19 | 18 | 17 | 16 | 15 | 14 | 13 | 12 | 11 | 10 | 9 | 8 | 7 | 6 | 5 | 4 | 3 | 2 | 1 | 0 |   |   |   |   |   |   |   |   |   |   |   |   |
|------------------|----|-------------|----------|----------|--|----|----|----|----|----|----|----|----|----|----|----|----|----|----|----|----|----|---|---|---|---|---|---|---|---|---|---|---|---|---|---|---|---|---|---|---|---|---|---|
| Id               |    |             |          |          |  |    |    |    |    |    |    |    |    |    |    |    |    |    |    |    |    |    |   |   |   |   |   |   |   |   |   |   |   | B | B | B | B | B | B | B | B | A | A | A |
| Reset 0x00000000 | 0  | 0           | 0        | 0        | 0  | 0  | 0  | 0  | 0  | 0  | 0  | 0  | 0  | 0  | 0  | 0  | 0  | 0  | 0  | 0  | 0  | 0  | 0 | 0 | 0 | 0 | 0 | 0 | 0 | 0 | 0 | 0 | 0 | 0 | 0 | 0 | 0 | 0 | 0 | 0 | 0 |   |   |   |
| Id               | RW | Field       | Value Id | Value    | Description  |    |    |    |    |    |    |    |    |    |    |    |    |    |    |    |    |    |   |   |   |   |   |   |   |   |   |   |   |   |   |   |   |   |   |   |   |   |   |   |
| A                | RW | TXDATABITS  |          | [0..7]   | Number of bits in the last or first byte read from RAM that shall be included in the frame (excluding parity bit).   |    |    |    |    |    |    |    |    |    |    |    |    |    |    |    |    |    |   |   |   |   |   |   |   |   |   |   |   |   |   |   |   |   |   |   |   |   |   |   |
|                  |    |             |          |          | The DISCARDMODE field in FRAMECONFIG.TX selects if unused bits is discarded at the start or at the end of a frame. A value of 0 data bytes and 0 data bits is invalid. |    |    |    |    |    |    |    |    |    |    |    |    |    |    |    |    |    |   |   |   |   |   |   |   |   |   |   |   |   |   |   |   |   |   |   |   |   |   |   |
| B                | RW | TXDATABYTES |          | [0..257] | Number of complete bytes that shall be included in the frame, excluding CRC, parity and framing  |    |    |    |    |    |    |    |    |    |    |    |    |    |    |    |    |    |   |   |   |   |   |   |   |   |   |   |   |   |   |   |   |   |   |   |   |   |   |   |

### 42.12.16 RXD.FRAMECONFIG

Address offset: 0x520

Configuration of incoming frames

| Bit number       | 31 | 30        | 29       | 28    | 27   | 26 | 25 | 24 | 23 | 22 | 21 | 20 | 19 | 18 | 17 | 16 | 15 | 14 | 13 | 12 | 11 | 10 | 9 | 8 | 7 | 6 | 5 | 4 | 3 | 2 | 1 | 0 |
|------------------|----|-----------|----------|-------|--|----|----|----|----|----|----|----|----|----|----|----|----|----|----|----|----|----|---|---|---|---|---|---|---|---|---|---|
| Id               |    |           |          |       |  |    |    |    |    |    |    |    |    |    |    |    |    |    |    |    |    |    |   |   |   |   | C | B | A |   |   |   |
| Reset 0x00000015 | 0  | 0         | 0        | 0     | 0  | 0  | 0  | 0  | 0  | 0  | 0  | 0  | 0  | 0  | 0  | 0  | 0  | 0  | 0  | 0  | 0  | 0  | 0 | 0 | 0 | 0 | 0 | 1 | 0 | 1 | 0 | 1 |
| Id               | RW | Field     | Value Id | Value | Description  |    |    |    |    |    |    |    |    |    |    |    |    |    |    |    |    |    |   |   |   |   |   |   |   |   |   |   |
| A                | RW | PARITY    | NoParity | 0     | Parity expected or not in RX frame<br>Parity is not expected in RX frames              |    |    |    |    |    |    |    |    |    |    |    |    |    |    |    |    |    |   |   |   |   |   |   |   |   |   |   |
|                  |    |           | Parity   | 1     | Parity is expected in RX frames  |    |    |    |    |    |    |    |    |    |    |    |    |    |    |    |    |    |   |   |   |   |   |   |   |   |   |   |
| B                | RW | SOF       | NoSoF    | 0     | SoF expected or not in RX frames<br>Start of Frame symbol is not expected in RX frames |    |    |    |    |    |    |    |    |    |    |    |    |    |    |    |    |    |   |   |   |   |   |   |   |   |   |   |
|                  |    |           | SoF      | 1     | Start of Frame symbol is expected in RX frames   |    |    |    |    |    |    |    |    |    |    |    |    |    |    |    |    |    |   |   |   |   |   |   |   |   |   |   |
| C                | RW | CRCMODERX | NoCRCRX  | 0     | CRC mode for incoming frames<br>CRC is not expected in RX frames                       |    |    |    |    |    |    |    |    |    |    |    |    |    |    |    |    |    |   |   |   |   |   |   |   |   |   |   |
|                  |    |           | CRC16RX  | 1     | Last 16 bits in RX frame is CRC, CRC is checked and CRCSTATUS updated                  |    |    |    |    |    |    |    |    |    |    |    |    |    |    |    |    |    |   |   |   |   |   |   |   |   |   |   |

### 42.12.17 RXD.AMOUNT

Address offset: 0x524

Size of last incoming frame

| Bit number       | 31 | 30          | 29       | 28    | 27   | 26 | 25 | 24 | 23 | 22 | 21 | 20 | 19 | 18 | 17 | 16 | 15 | 14 | 13 | 12 | 11 | 10 | 9 | 8 | 7 | 6 | 5 | 4 | 3 | 2 | 1 | 0 |   |   |   |   |   |   |   |   |   |   |   |   |   |   |   |   |   |   |   |   |   |   |   |   |
|------------------|----|-------------|----------|-------|--|----|----|----|----|----|----|----|----|----|----|----|----|----|----|----|----|----|---|---|---|---|---|---|---|---|---|---|---|---|---|---|---|---|---|---|---|---|---|---|---|---|---|---|---|---|---|---|---|---|---|---|
| Id               |    |             |          |       |  |    |    |    |    |    |    |    |    |    |    |    |    |    |    |    |    |    |   |   |   |   | B | B | B | B | B | B | B | B | B | B | B | B | B | B | B | B | B | B | B | B | B | B | B | B | B | B | B | B | B | B |
| Reset 0x00000000 | 0  | 0           | 0        | 0     | 0  | 0  | 0  | 0  | 0  | 0  | 0  | 0  | 0  | 0  | 0  | 0  | 0  | 0  | 0  | 0  | 0  | 0  | 0 | 0 | 0 | 0 | 0 | 0 | 0 | 0 | 0 | 0 |   |   |   |   |   |   |   |   |   |   |   |   |   |   |   |   |   |   |   |   |   |   |   |   |
| Id               | RW | Field       | Value Id | Value | Description  |    |    |    |    |    |    |    |    |    |    |    |    |    |    |    |    |    |   |   |   |   |   |   |   |   |   |   |   |   |   |   |   |   |   |   |   |   |   |   |   |   |   |   |   |   |   |   |   |   |   |   |
| A                | R  | RXDATABITS  |          |       | Number of bits in the last byte in the frame, if less than 8 (including CRC, but excluding parity and SoF/EoF framing).<br><br>Frames with 0 data bytes and less than 7 data bits are invalid and are not received properly. |    |    |    |    |    |    |    |    |    |    |    |    |    |    |    |    |    |   |   |   |   |   |   |   |   |   |   |   |   |   |   |   |   |   |   |   |   |   |   |   |   |   |   |   |   |   |   |   |   |   |   |
| B                | R  | RXDATABYTES |          |       | Number of complete bytes received in the frame (including CRC, but excluding parity and SoF/EoF framing)   |    |    |    |    |    |    |    |    |    |    |    |    |    |    |    |    |    |   |   |   |   |   |   |   |   |   |   |   |   |   |   |   |   |   |   |   |   |   |   |   |   |   |   |   |   |   |   |   |   |   |   |

### 42.12.18 NFCID1\_LAST

Address offset: 0x590

Last NFCID1 part (4, 7 or 10 bytes ID)

| Bit number       | 31 | 30       | 29       | 28    | 27                                  | 26 | 25 | 24 | 23 | 22 | 21 | 20 | 19 | 18 | 17 | 16 | 15 | 14 | 13 | 12 | 11 | 10 | 9 | 8 | 7 | 6 | 5 | 4 | 3 | 2 | 1 | 0 |
|------------------|----|----------|----------|-------|-------------------------------------|----|----|----|----|----|----|----|----|----|----|----|----|----|----|----|----|----|---|---|---|---|---|---|---|---|---|---|
| Id               | D  | D        | D        | D     | D                                   | D  | D  | C  | C  | C  | C  | C  | C  | C  | C  | B  | B  | B  | B  | B  | B  | B  | B | A | A | A | A | A | A | A | A |   |
| Reset 0x00006363 | 0  | 0        | 0        | 0     | 0                                   | 0  | 0  | 0  | 0  | 0  | 0  | 0  | 0  | 0  | 0  | 0  | 1  | 1  | 0  | 0  | 0  | 1  | 1 | 0 | 1 | 1 | 0 | 0 | 0 | 1 | 1 |   |
| Id               | RW | Field    | Value Id | Value | Description                         |    |    |    |    |    |    |    |    |    |    |    |    |    |    |    |    |    |   |   |   |   |   |   |   |   |   |   |
| A                | RW | NFCID1_Z |          |       | NFCID1 byte Z (very last byte sent) |    |    |    |    |    |    |    |    |    |    |    |    |    |    |    |    |    |   |   |   |   |   |   |   |   |   |   |
| B                | RW | NFCID1_Y |          |       | NFCID1 byte Y                       |    |    |    |    |    |    |    |    |    |    |    |    |    |    |    |    |    |   |   |   |   |   |   |   |   |   |   |
| C                | RW | NFCID1_X |          |       | NFCID1 byte X                       |    |    |    |    |    |    |    |    |    |    |    |    |    |    |    |    |    |   |   |   |   |   |   |   |   |   |   |
| D                | RW | NFCID1_W |          |       | NFCID1 byte W                       |    |    |    |    |    |    |    |    |    |    |    |    |    |    |    |    |    |   |   |   |   |   |   |   |   |   |   |

### 42.12.19 NFCID1\_2ND\_LAST

Address offset: 0x594

Second last NFCID1 part (7 or 10 bytes ID)

| Bit number       | 31 | 30       | 29       | 28    | 27            | 26 | 25 | 24 | 23 | 22 | 21 | 20 | 19 | 18 | 17 | 16 | 15 | 14 | 13 | 12 | 11 | 10 | 9 | 8 | 7 | 6 | 5 | 4 | 3 | 2 | 1 | 0 |
|------------------|----|----------|----------|-------|---------------|----|----|----|----|----|----|----|----|----|----|----|----|----|----|----|----|----|---|---|---|---|---|---|---|---|---|---|
| Id               |    |          |          |       |               |    |    |    | C  | C  | C  | C  | C  | C  | C  | C  | B  | B  | B  | B  | B  | B  | B | B | A | A | A | A | A | A | A | A |
| Reset 0x00000000 | 0  | 0        | 0        | 0     | 0             | 0  | 0  | 0  | 0  | 0  | 0  | 0  | 0  | 0  | 0  | 0  | 0  | 0  | 0  | 0  | 0  | 0  | 0 | 0 | 0 | 0 | 0 | 0 | 0 | 0 | 0 | 0 |
| Id               | RW | Field    | Value Id | Value | Description   |    |    |    |    |    |    |    |    |    |    |    |    |    |    |    |    |    |   |   |   |   |   |   |   |   |   |   |
| A                | RW | NFCID1_V |          |       | NFCID1 byte V |    |    |    |    |    |    |    |    |    |    |    |    |    |    |    |    |    |   |   |   |   |   |   |   |   |   |   |
| B                | RW | NFCID1_U |          |       | NFCID1 byte U |    |    |    |    |    |    |    |    |    |    |    |    |    |    |    |    |    |   |   |   |   |   |   |   |   |   |   |
| C                | RW | NFCID1_T |          |       | NFCID1 byte T |    |    |    |    |    |    |    |    |    |    |    |    |    |    |    |    |    |   |   |   |   |   |   |   |   |   |   |

### 42.12.20 NFCID1\_3RD\_LAST

Address offset: 0x598

Third last NFCID1 part (10 bytes ID)

| Bit number       | 31 | 30       | 29       | 28    | 27            | 26 | 25 | 24 | 23 | 22 | 21 | 20 | 19 | 18 | 17 | 16 | 15 | 14 | 13 | 12 | 11 | 10 | 9 | 8 | 7 | 6 | 5 | 4 | 3 | 2 | 1 | 0 |
|------------------|----|----------|----------|-------|---------------|----|----|----|----|----|----|----|----|----|----|----|----|----|----|----|----|----|---|---|---|---|---|---|---|---|---|---|
| Id               |    |          |          |       |               |    |    |    | C  | C  | C  | C  | C  | C  | C  | B  | B  | B  | B  | B  | B  | B  | B | B | A | A | A | A | A | A | A | A |
| Reset 0x00000000 | 0  | 0        | 0        | 0     | 0             | 0  | 0  | 0  | 0  | 0  | 0  | 0  | 0  | 0  | 0  | 0  | 0  | 0  | 0  | 0  | 0  | 0  | 0 | 0 | 0 | 0 | 0 | 0 | 0 | 0 | 0 | 0 |
| Id               | RW | Field    | Value Id | Value | Description   |    |    |    |    |    |    |    |    |    |    |    |    |    |    |    |    |    |   |   |   |   |   |   |   |   |   |   |
| A                | RW | NFCID1_S |          |       | NFCID1 byte S |    |    |    |    |    |    |    |    |    |    |    |    |    |    |    |    |    |   |   |   |   |   |   |   |   |   |   |
| B                | RW | NFCID1_R |          |       | NFCID1 byte R |    |    |    |    |    |    |    |    |    |    |    |    |    |    |    |    |    |   |   |   |   |   |   |   |   |   |   |
| C                | RW | NFCID1_Q |          |       | NFCID1 byte Q |    |    |    |    |    |    |    |    |    |    |    |    |    |    |    |    |    |   |   |   |   |   |   |   |   |   |   |

### 42.12.21 SENSRES

Address offset: 0x5A0

NFC-A SENS\_RES auto-response settings

| Bit number       | 31 | 30          | 29           | 28    | 27   | 26 | 25 | 24 | 23 | 22 | 21 | 20 | 19 | 18 | 17 | 16 | 15 | 14 | 13 | 12 | 11 | 10 | 9 | 8 | 7 | 6 | 5 | 4 | 3 | 2 | 1 | 0 |   |   |
|------------------|----|-------------|--------------|-------|--|----|----|----|----|----|----|----|----|----|----|----|----|----|----|----|----|----|---|---|---|---|---|---|---|---|---|---|---|---|
| Id               |    |             |              |       |  |    |    |    |    |    |    |    |    |    |    |    |    |    |    | E  | E  | E  | E | D | D | D | D | C | C | B | A | A | A | A |
| Reset 0x00000001 | 0  | 0           | 0            | 0     | 0  | 0  | 0  | 0  | 0  | 0  | 0  | 0  | 0  | 0  | 0  | 0  | 0  | 0  | 0  | 0  | 0  | 0  | 0 | 0 | 0 | 0 | 0 | 0 | 0 | 0 | 0 | 0 | 1 |   |
| Id               | RW | Field       | Value Id     | Value | Description  |    |    |    |    |    |    |    |    |    |    |    |    |    |    |    |    |    |   |   |   |   |   |   |   |   |   |   |   |   |
| A                | RW | BITFRAMESDD |              |       | Bit frame SDD as defined by the b5:b1 of byte 1 in SENS_RES response in the NFC Forum, NFC Digital Protocol Technical Specification              |    |    |    |    |    |    |    |    |    |    |    |    |    |    |    |    |    |   |   |   |   |   |   |   |   |   |   |   |   |
|                  |    |             | SDD00000     | 0     | SDD pattern 00000  |    |    |    |    |    |    |    |    |    |    |    |    |    |    |    |    |    |   |   |   |   |   |   |   |   |   |   |   |   |
|                  |    |             | SDD00001     | 1     | SDD pattern 00001  |    |    |    |    |    |    |    |    |    |    |    |    |    |    |    |    |    |   |   |   |   |   |   |   |   |   |   |   |   |
|                  |    |             | SDD00010     | 2     | SDD pattern 00010  |    |    |    |    |    |    |    |    |    |    |    |    |    |    |    |    |    |   |   |   |   |   |   |   |   |   |   |   |   |
|                  |    |             | SDD00100     | 4     | SDD pattern 00100  |    |    |    |    |    |    |    |    |    |    |    |    |    |    |    |    |    |   |   |   |   |   |   |   |   |   |   |   |   |
|                  |    |             | SDD01000     | 8     | SDD pattern 01000  |    |    |    |    |    |    |    |    |    |    |    |    |    |    |    |    |    |   |   |   |   |   |   |   |   |   |   |   |   |
|                  |    |             | SDD10000     | 16    | SDD pattern 10000  |    |    |    |    |    |    |    |    |    |    |    |    |    |    |    |    |    |   |   |   |   |   |   |   |   |   |   |   |   |
| B                | RW | RFU5        |              |       | Reserved for future use. Shall be 0.   |    |    |    |    |    |    |    |    |    |    |    |    |    |    |    |    |    |   |   |   |   |   |   |   |   |   |   |   |   |
| C                | RW | NFCIDSIZE   |              |       | NFCID1 size. This value is used by the Auto collision resolution engine.   |    |    |    |    |    |    |    |    |    |    |    |    |    |    |    |    |    |   |   |   |   |   |   |   |   |   |   |   |   |
|                  |    |             | NFCID1Single | 0     | NFCID1 size: single (4 bytes)  |    |    |    |    |    |    |    |    |    |    |    |    |    |    |    |    |    |   |   |   |   |   |   |   |   |   |   |   |   |
|                  |    |             | NFCID1Double | 1     | NFCID1 size: double (7 bytes)  |    |    |    |    |    |    |    |    |    |    |    |    |    |    |    |    |    |   |   |   |   |   |   |   |   |   |   |   |   |
|                  |    |             | NFCID1Triple | 2     | NFCID1 size: triple (10 bytes)   |    |    |    |    |    |    |    |    |    |    |    |    |    |    |    |    |    |   |   |   |   |   |   |   |   |   |   |   |   |
| D                | RW | PLATFCONFIG |              |       | Tag platform configuration as defined by the b4:b1 of byte 2 in SENS_RES response in the NFC Forum, NFC Digital Protocol Technical Specification |    |    |    |    |    |    |    |    |    |    |    |    |    |    |    |    |    |   |   |   |   |   |   |   |   |   |   |   |   |
| E                | RW | RFU74       |              |       | Reserved for future use. Shall be 0.   |    |    |    |    |    |    |    |    |    |    |    |    |    |    |    |    |    |   |   |   |   |   |   |   |   |   |   |   |   |

### 42.12.22 SELRES

Address offset: 0x5A4

NFC-A SEL\_RES auto-response settings

|                  |           |              |    |                 |    |              |   |                                      |    |    |    |    |    |    |    |    |    |    |    |    |    |    |   |   |   |   |   |   |   |   |   |   |
|------------------|-----------|--------------|----|-----------------|----|--------------|---|--------------------------------------|----|----|----|----|----|----|----|----|----|----|----|----|----|----|---|---|---|---|---|---|---|---|---|---|
| Bit number       | 31        | 30           | 29 | 28              | 27 | 26           | 25  | 24                                   | 23 | 22 | 21 | 20 | 19 | 18 | 17 | 16 | 15 | 14 | 13 | 12 | 11 | 10 | 9 | 8 | 7 | 6 | 5 | 4 | 3 | 2 | 1 | 0 |
| Id               |           |              |    |                 |    |              |   |                                      |    |    |    |    |    |    |    |    |    |    |    |    |    |    |   |   | E | D | D | C | C | B | A | A |
| Reset 0x00000000 | 0         | 0            | 0  | 0               | 0  | 0            | 0   | 0                                    | 0  | 0  | 0  | 0  | 0  | 0  | 0  | 0  | 0  | 0  | 0  | 0  | 0  | 0  | 0 | 0 | 0 | 0 | 0 | 0 | 0 | 0 | 0 |   |
| <b>Id</b>        | <b>RW</b> | <b>Field</b> |    | <b>Value Id</b> |    | <b>Value</b> |   | <b>Description</b>                   |    |    |    |    |    |    |    |    |    |    |    |    |    |    |   |   |   |   |   |   |   |   |   |   |
| A                | RW        | RFU10        |    |                 |    |              |   | Reserved for future use. Shall be 0. |    |    |    |    |    |    |    |    |    |    |    |    |    |    |   |   |   |   |   |   |   |   |   |   |
| B                | RW        | CASCADE      |    | Complete        |    | 0            | NFCID1 complete   |                                      |    |    |    |    |    |    |    |    |    |    |    |    |    |    |   |   |   |   |   |   |   |   |   |   |
|                  |           |              |    | NotComplete     |    | 1            | NFCID1 not complete   |                                      |    |    |    |    |    |    |    |    |    |    |    |    |    |    |   |   |   |   |   |   |   |   |   |   |
| C                | RW        | RFU43        |    |                 |    |              | Reserved for future use. Shall be 0.  |                                      |    |    |    |    |    |    |    |    |    |    |    |    |    |    |   |   |   |   |   |   |   |   |   |   |
| D                | RW        | PROTOCOL     |    |                 |    |              | Protocol as defined by the b7:b6 of SEL_RES response in the NFC Forum, NFC Digital Protocol Technical Specification |                                      |    |    |    |    |    |    |    |    |    |    |    |    |    |    |   |   |   |   |   |   |   |   |   |   |
| E                | RW        | RFU7         |    |                 |    |              | Reserved for future use. Shall be 0.  |                                      |    |    |    |    |    |    |    |    |    |    |    |    |    |    |   |   |   |   |   |   |   |   |   |   |

## 42.13 Electrical specification

### 42.13.1 NFCT Electrical Specification

| Symbol            | Description   | Min. | Typ.     | Max. | Units |
|-------------------|---|------|----------|------|-------|
| $f_c$             | Frequency of operation  |      | 13.56    |      | MHz   |
| $C_{MI}$          | Carrier modulation index  | 95   |          |      | %     |
| DR                | Data Rate   |      | 106      |      | kbps  |
| $f_s$             | Modulation sub-carrier frequency  |      | $f_c/16$ |      | MHz   |
| $V_{swing}$       | Peak differential Input voltage swing on NFC1 and NFC2                    |      |          | VDD  | Vp    |
| $V_{sense}$       | Peak differential Field detect threshold level on NFC1-NFC2 <sup>36</sup> |      | 1.0      |      | Vp    |
| $I_{sense}$       | Current in SENSE STATE  |      | 100      |      | nA    |
| $I_{activated}$   | Current in ACTIVATED STATE  |      | 480      |      | μA    |
| $R_{in\_min}$     | Minimum input resistance when regulating voltage swing                    |      |          | 40   | Ω     |
| $R_{in\_max}$     | Maximum input resistance when regulating voltage swing                    | 1.0  |          |      | kΩ    |
| $R_{in\_loadmod}$ | Input resistance when load modulating                                     | 8    |          | 22   | Ω     |
| $I_{max}$         | Maximum input current on NFC pins   |      |          | 80   | mA    |

### 42.13.2 NFCT Timing Parameters

| Symbol         | Description   | Min. | Typ. | Max. | Units |
|----------------|---|------|------|------|-------|
| $t_{activate}$ | Time from task_ACTIVATE in SENSE or DISABLE state to ACTIVATE_A or IDLE state <sup>37</sup> |      |      | 500  | us    |
| $t_{sense}$    | Time from remote field is present in SENSE mode to FIELDDETECTED event is asserted          |      |      | 20   | us    |

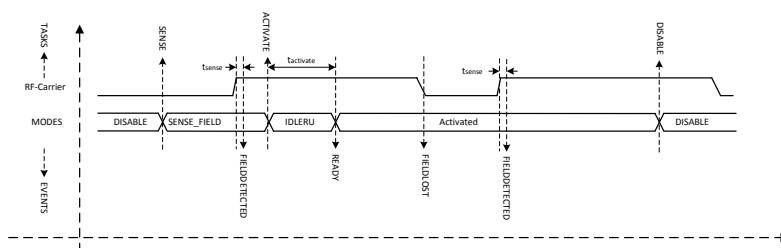


Figure 123: NFCT timing parameters (Shortcuts for FIELDDETECTED and FIELDLOST are disabled)

<sup>36</sup> Input is high impedance in sense mode

<sup>37</sup> Does not account for voltage supply and oscillator startup times

## 43 PDM — Pulse density modulation interface

The pulse density modulation (PDM) module enables input of pulse density modulated signals from external audio frontends, for example, digital microphones. The PDM module generates the PDM clock and supports single-channel or dual-channel (Left and Right) data input. Data is transferred directly to RAM buffers using EasyDMA.

Listed here are the main features for PDM:

- Up to two PDM microphones configured as a Left/Right pair using the same data input
- 16 kHz output sample rate, 16-bit samples
- EasyDMA support for sample buffering
- HW decimation filters

The PDM module illustrated in [Figure 124: PDM module](#) on page 437 is interfacing up to two digital microphones with the PDM interface. It implements EasyDMA, which relieves real-time requirements associated with controlling the PDM slave from a low priority CPU execution context. It also includes all the necessary digital filter elements to produce PCM samples. The PDM module allows continuous audio streaming.



Figure 124: PDM module

### 43.1 Master clock generator

The `FREQ` field in the master clock's `PDMCLKCTRL` register allows adjusting the PDM clock's frequency.

The master clock generator does not add any jitter to the `HFCLK` source chosen. It is recommended (but not mandatory) to use the `Xtal` as `HFCLK` source.

### 43.2 Module operation

By default, bits from the left PDM microphone are sampled on `PDM_CLK` falling edge, bits for the right are sampled on the rising edge of `PDM_CLK`, resulting in two bitstreams. Each bitstream is fed into a digital filter which converts the PDM stream into 16-bit PCM samples, and filters and down-samples them to reach the appropriate sample rate.

The `EDGE` field in the `MODE` register allows swapping Left and Right, so that Left will be sampled on rising edge, and Right on falling.

The PDM module uses EasyDMA to store the samples coming out from the filters into one buffer in RAM.

Depending on the mode chosen in the `OPERATION` field in the `MODE` register, memory either contains alternating left and right 16-bit samples (Stereo), or only left 16-bit samples (Mono).

To ensure continuous PDM sampling, it is up to the application to update the EasyDMA destination address pointer as the previous buffer is filled.

The continuous transfer can be started or stopped by sending the START and STOP tasks. STOP becomes effective after the current frame has finished transferring, which will generate the STOPPED event. The STOPPED event indicates that all activity in the module are finished, and that the data is available in RAM (EasyDMA has finished transferring as well). Attempting to restart before receiving the STOPPED event may result in unpredictable behaviour.

### 43.3 Decimation filter

In order to convert the incoming data stream into PCM audio samples, a decimation filter is included in the PDM interface module.

The input of the filter is the two-channel PDM serial stream (with left channel on clock high, right channel on clock low), its output is  $2 \times 16$ -bit PCM samples at a sample rate 64 times lower than the PDM clock rate.

The filter stage of each channel is followed by a digital volume control, to attenuate or amplify the output samples in a range of -20 dB to +20 dB around the default (reset) setting, defined by  $G_{\text{PDM,default}}$ . The gain is controlled by the GAINL and GAINR registers.

As an example, if the goal is to achieve 2500 RMS output samples (16 bit) with a 1 kHz 90 dBA signal into a -26 dBFS sensitivity PDM microphone, the user will have to sum the PDM module's default gain ( $G_{\text{PDM,default}}$ ) and the gain introduced by the microphone and acoustic path of his implementation (an attenuation would translate into a negative gain), and adjust GAINL and GAINR by this amount. Assuming that only the PDM module influences the gain, GAINL and GAINR must be set to  $-G_{\text{PDM,default}}$  dB to achieve the requirement.

With  $G_{\text{PDM,default}}=3.2$  dB, and as GAINL and GAINR are expressed in 0.5 dB steps, the closest value to program would be 3.0 dB, which can be calculated as:

$$\text{GAINL} = \text{GAINR} = (\text{DefaultGain} - (2 * 3))$$

Remember to check that the resulting values programmed into GAINL and GAINR fall within MinGain and MaxGain.

### 43.4 EasyDMA

Samples will be written directly to RAM, and EasyDMA must be configured accordingly.

The address pointer for the EasyDMA channel is set in SAMPLE.PTR register. If the destination address set in SAMPLE.PTR is not pointing to the Data RAM region, an EasyDMA transfer may result in a HardFault or RAM corruption. See [Memory](#) on page 23 for more information about the different memory regions.

DMA supports Stereo (Left+Right 16-bit samples) and Mono (Left only) data transfer, depending on setting in the OPERATION field in the MODE register. The samples are stored little endian.

**Table 101: DMA sample storage**

| MODE.OPERATION | Bits per sample | Result stored per RAM word | Physical RAM allocated (32 bit words) | Result boundary indexes in RAM | Note    |
|----------------|-----------------|----------------------------|---------------------------------------|--------------------------------|---------|
| Stereo         | 32 (2x16)       | L+R                        | ceil(SAMPLE.MAXCNT/2)                 | R0=[31:16]; L0=[15:0]          | Default |
| Mono           | 16              | 2xL                        | ceil(SAMPLE.MAXCNT/2)                 | L1=[31:16]; L0=[15:0]          |         |

The destination buffer in RAM consists of one block, the size of which is set in SAMPLE.MAXCNT register. Format is number of 16-bit samples. The physical RAM allocated is always:

$$(\text{RAM allocation, in bytes}) = \text{SAMPLE.MAXCNT} * 2;$$

(but the mapping of the samples depends on MODE.OPERATION.

If OPERATION=Stereo, RAM will contain a succession of Left and Right samples.

If OPERATION=Mono, RAM will contain a succession of mono samples.

For a given value of `SAMPLE.MAXCNT`, the buffer in RAM can contain half the stereo sampling time as compared to the mono sampling time.

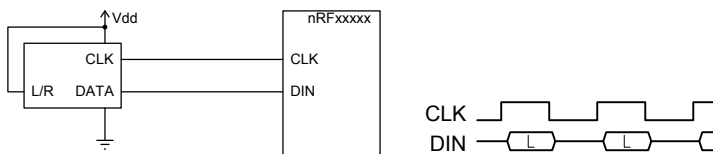
The PDM acquisition can be started by the `START` task, after the `SAMPLE.PTR` and `SAMPLE.MAXCNT` registers have been written. When starting the module, it will take some time for the filters to start outputting valid data. Transients from the PDM microphone itself may also occur. The first few samples (typically around 50) might hence contain invalid values or transients. It is therefore advised to discard the first few samples after a PDM start.

As soon as the `STARTED` event is received, the firmware can write the next `SAMPLE.PTR` value (this register is double-buffered), to ensure continuous operation.

When the buffer in RAM is filled with samples, an `END` event is triggered. The firmware can start processing the data in the buffer. Meanwhile, the PDM module starts acquiring data into the new buffer pointed to by `SAMPLE.PTR`, and sends a new `STARTED` event, so that the firmware can update `SAMPLE.PTR` to the next buffer address.

## 43.5 Hardware example

Connect the microphone clock to `CLK`, and data to `DIN`.

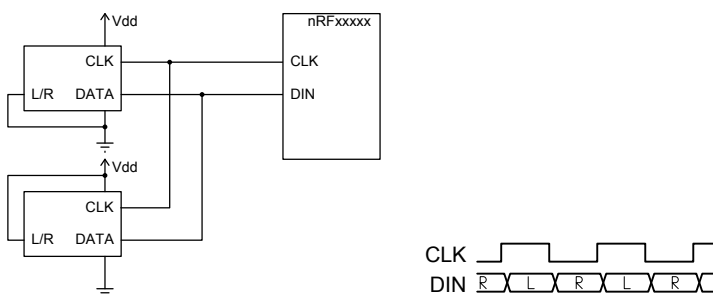


**Figure 125: Example of a single PDM microphone, wired as left**



**Figure 126: Example of a single PDM microphone, wired as right**

Note that in a single-microphone (mono) configuration, depending on the microphone's implementation, either the left or the right channel (sampled at falling or rising `CLK` edge respectively) will contain reliable data. If two microphones are used, one of them has to be set as left, the other as right (`L/R` pin tied high or to `GND` on the respective microphone). It is strongly recommended to use two microphones of exactly the same brand and type so that their timings in left and right operation match.



**Figure 127: Example of two PDM microphones**

## 43.6 Pin configuration

The `CLK` and `DIN` signals associated to the PDM module are mapped to physical pins according to the configuration specified in the `PSEL.CLK` and `PSEL.DIN` registers respectively. If the `CONNECT` field in any `PSEL` register is set to `Disconnected`, the associated PDM module signal will not be connected to the required physical pins, and will not operate properly.

The PSEL.CLK and PSEL.DIN registers and their configurations are only used as long as the PDM module is enabled, and retained only as long as the device is in System ON mode. See [POWER — Power supply](#) on page 78 for more information about power modes. When the peripheral is disabled, the pins will behave as regular GPIOs, and use the configuration in their respective OUT bit field and PIN\_CNF[n] register.

To ensure correct behaviour in the PDM module, the pins used by the PDM module must be configured in the GPIO peripheral as described in [Table 102: GPIO configuration before enabling peripheral](#) on page 440 before enabling the PDM module. This is to ensure that the pins used by the PDM module are driven correctly if the PDM module itself is temporarily disabled or the device temporarily enters System OFF. This configuration must be retained in the GPIO for the selected I/Os as long as the PDM module is supposed to be connected to an external PDM circuit.

Only one peripheral can be assigned to drive a particular GPIO pin at a time. Failing to do so may result in unpredictable behaviour.

**Table 102: GPIO configuration before enabling peripheral**

| PDM signal | PDM pin                  | Direction | Output value   | Comment |
|------------|--------------------------|-----------|----------------|---------|
| CLK        | As specified in PSEL.CLK | Output    | 0              |         |
| DIN        | As specified in PSEL.DIN | Input     | Not applicable |         |

## 43.7 Registers

**Table 103: Instances**

| Base address | Peripheral | Instance | Description   | Configuration |
|--------------|------------|----------|---|---------------|
| 0x4001D000   | PDM        | PDM      | Pulse Density Modulation (Digital Microphone Interface) |               |

**Table 104: Register Overview**

| Register             | Offset | Description   |
|----------------------|--------|---|
| TASKS_START          | 0x000  | Starts continuous PDM transfer  |
| TASKS_STOP           | 0x004  | Stops PDM transfer  |
| EVENTS_STARTED       | 0x100  | PDM transfer has started  |
| EVENTS_STOPPED       | 0x104  | PDM transfer has finished   |
| EVENTS_END           | 0x108  | The PDM has written the last sample specified by SAMPLE.MAXCNT (or the last sample after a STOP task has been received) to Data RAM |
| <i>INTEN</i>         | 0x300  | Enable or disable interrupt   |
| <i>INTENSET</i>      | 0x304  | Enable interrupt  |
| <i>INTENCLR</i>      | 0x308  | Disable interrupt   |
| <i>ENABLE</i>        | 0x500  | PDM module enable register  |
| <i>PDMCLKCTRL</i>    | 0x504  | PDM clock generator control   |
| <i>MODE</i>          | 0x508  | Defines the routing of the connected PDM microphones' signals   |
| <i>GAINL</i>         | 0x518  | Left output gain adjustment   |
| <i>GAINR</i>         | 0x51C  | Right output gain adjustment  |
| <i>PSEL.CLK</i>      | 0x540  | Pin number configuration for PDM CLK signal   |
| <i>PSEL.DIN</i>      | 0x544  | Pin number configuration for PDM DIN signal   |
| <i>SAMPLE.PTR</i>    | 0x560  | RAM address pointer to write samples to with EasyDMA  |
| <i>SAMPLE.MAXCNT</i> | 0x564  | Number of samples to allocate memory for in EasyDMA mode  |

### 43.7.1 INTEN

Address offset: 0x300

Enable or disable interrupt



| Bit number       | 31 30 29 28 27 26 25 24 23 22 21 20 19 18 17 16 15 14 13 12 11 10 9 8 7 6 5 4 3 2 1 0 |         |          |        |   |  |  |  |  |  |  |  |  |  |  |  |  |  |  |  |  |  |  |  |  |  |  |  |  |  |   |   |   |
|------------------|---|---------|----------|--------|---|--|--|--|--|--|--|--|--|--|--|--|--|--|--|--|--|--|--|--|--|--|--|--|--|--|---|---|---|
| Id               |   |         |          |        |   |  |  |  |  |  |  |  |  |  |  |  |  |  |  |  |  |  |  |  |  |  |  |  |  |  | C | B | A |
| Reset 0x00000000 | 0             |         |          |        |   |  |  |  |  |  |  |  |  |  |  |  |  |  |  |  |  |  |  |  |  |  |  |  |  |  |   |   |   |
| Id               | RW  | Field   | Value Id | Value  | Description                                   |  |  |  |  |  |  |  |  |  |  |  |  |  |  |  |  |  |  |  |  |  |  |  |  |  |   |   |   |
| A                | RW  | STARTED |          |        | Enable or disable interrupt for STARTED event |  |  |  |  |  |  |  |  |  |  |  |  |  |  |  |  |  |  |  |  |  |  |  |  |  |   |   |   |
|                  |   |         |          |        | See <a href="#">EVENTS_STARTED</a>            |  |  |  |  |  |  |  |  |  |  |  |  |  |  |  |  |  |  |  |  |  |  |  |  |  |   |   |   |
|                  |   |         | Disabled | 0      | Disable                                       |  |  |  |  |  |  |  |  |  |  |  |  |  |  |  |  |  |  |  |  |  |  |  |  |  |   |   |   |
|                  |   | Enabled | 1        | Enable |   |  |  |  |  |  |  |  |  |  |  |  |  |  |  |  |  |  |  |  |  |  |  |  |  |  |   |   |   |
| B                | RW  | STOPPED |          |        | Enable or disable interrupt for STOPPED event |  |  |  |  |  |  |  |  |  |  |  |  |  |  |  |  |  |  |  |  |  |  |  |  |  |   |   |   |
|                  |   |         |          |        | See <a href="#">EVENTS_STOPPED</a>            |  |  |  |  |  |  |  |  |  |  |  |  |  |  |  |  |  |  |  |  |  |  |  |  |  |   |   |   |
|                  |   |         | Disabled | 0      | Disable                                       |  |  |  |  |  |  |  |  |  |  |  |  |  |  |  |  |  |  |  |  |  |  |  |  |  |   |   |   |
|                  |   | Enabled | 1        | Enable |   |  |  |  |  |  |  |  |  |  |  |  |  |  |  |  |  |  |  |  |  |  |  |  |  |  |   |   |   |
| C                | RW  | END     |          |        | Enable or disable interrupt for END event     |  |  |  |  |  |  |  |  |  |  |  |  |  |  |  |  |  |  |  |  |  |  |  |  |  |   |   |   |
|                  |   |         |          |        | See <a href="#">EVENTS_END</a>                |  |  |  |  |  |  |  |  |  |  |  |  |  |  |  |  |  |  |  |  |  |  |  |  |  |   |   |   |
|                  |   |         | Disabled | 0      | Disable                                       |  |  |  |  |  |  |  |  |  |  |  |  |  |  |  |  |  |  |  |  |  |  |  |  |  |   |   |   |
|                  |   | Enabled | 1        | Enable |   |  |  |  |  |  |  |  |  |  |  |  |  |  |  |  |  |  |  |  |  |  |  |  |  |  |   |   |   |

### 43.7.2 INTENSET

Address offset: 0x304

Enable interrupt

| Bit number       | 31 30 29 28 27 26 25 24 23 22 21 20 19 18 17 16 15 14 13 12 11 10 9 8 7 6 5 4 3 2 1 0 |         |          |               |   |  |  |  |  |  |  |  |  |  |  |  |  |  |  |  |  |  |  |  |  |  |  |  |  |  |   |   |   |
|------------------|---|---------|----------|---------------|---|--|--|--|--|--|--|--|--|--|--|--|--|--|--|--|--|--|--|--|--|--|--|--|--|--|---|---|---|
| Id               |   |         |          |               |   |  |  |  |  |  |  |  |  |  |  |  |  |  |  |  |  |  |  |  |  |  |  |  |  |  | C | B | A |
| Reset 0x00000000 | 0             |         |          |               |   |  |  |  |  |  |  |  |  |  |  |  |  |  |  |  |  |  |  |  |  |  |  |  |  |  |   |   |   |
| Id               | RW  | Field   | Value Id | Value         | Description                                     |  |  |  |  |  |  |  |  |  |  |  |  |  |  |  |  |  |  |  |  |  |  |  |  |  |   |   |   |
| A                | RW  | STARTED |          |               | Write '1' to Enable interrupt for STARTED event |  |  |  |  |  |  |  |  |  |  |  |  |  |  |  |  |  |  |  |  |  |  |  |  |  |   |   |   |
|                  |   |         |          |               | See <a href="#">EVENTS_STARTED</a>              |  |  |  |  |  |  |  |  |  |  |  |  |  |  |  |  |  |  |  |  |  |  |  |  |  |   |   |   |
|                  |   |         | Set      | 1             | Enable  |  |  |  |  |  |  |  |  |  |  |  |  |  |  |  |  |  |  |  |  |  |  |  |  |  |   |   |   |
|                  |   |         | Disabled | 0             | Read: Disabled                                  |  |  |  |  |  |  |  |  |  |  |  |  |  |  |  |  |  |  |  |  |  |  |  |  |  |   |   |   |
|                  |   | Enabled | 1        | Read: Enabled |   |  |  |  |  |  |  |  |  |  |  |  |  |  |  |  |  |  |  |  |  |  |  |  |  |  |   |   |   |
| B                | RW  | STOPPED |          |               | Write '1' to Enable interrupt for STOPPED event |  |  |  |  |  |  |  |  |  |  |  |  |  |  |  |  |  |  |  |  |  |  |  |  |  |   |   |   |
|                  |   |         |          |               | See <a href="#">EVENTS_STOPPED</a>              |  |  |  |  |  |  |  |  |  |  |  |  |  |  |  |  |  |  |  |  |  |  |  |  |  |   |   |   |
|                  |   |         | Set      | 1             | Enable  |  |  |  |  |  |  |  |  |  |  |  |  |  |  |  |  |  |  |  |  |  |  |  |  |  |   |   |   |
|                  |   |         | Disabled | 0             | Read: Disabled                                  |  |  |  |  |  |  |  |  |  |  |  |  |  |  |  |  |  |  |  |  |  |  |  |  |  |   |   |   |
|                  |   | Enabled | 1        | Read: Enabled |   |  |  |  |  |  |  |  |  |  |  |  |  |  |  |  |  |  |  |  |  |  |  |  |  |  |   |   |   |
| C                | RW  | END     |          |               | Write '1' to Enable interrupt for END event     |  |  |  |  |  |  |  |  |  |  |  |  |  |  |  |  |  |  |  |  |  |  |  |  |  |   |   |   |
|                  |   |         |          |               | See <a href="#">EVENTS_END</a>                  |  |  |  |  |  |  |  |  |  |  |  |  |  |  |  |  |  |  |  |  |  |  |  |  |  |   |   |   |
|                  |   |         | Set      | 1             | Enable  |  |  |  |  |  |  |  |  |  |  |  |  |  |  |  |  |  |  |  |  |  |  |  |  |  |   |   |   |
|                  |   |         | Disabled | 0             | Read: Disabled                                  |  |  |  |  |  |  |  |  |  |  |  |  |  |  |  |  |  |  |  |  |  |  |  |  |  |   |   |   |
|                  |   | Enabled | 1        | Read: Enabled |   |  |  |  |  |  |  |  |  |  |  |  |  |  |  |  |  |  |  |  |  |  |  |  |  |  |   |   |   |

### 43.7.3 INTENCLR

Address offset: 0x308

Disable interrupt

| Bit number       | 31 30 29 28 27 26 25 24 23 22 21 20 19 18 17 16 15 14 13 12 11 10 9 8 7 6 5 4 3 2 1 0 |         |          |               |  |  |  |  |  |  |  |  |  |  |  |  |  |  |  |  |  |  |  |  |  |  |  |  |  |  |   |   |   |
|------------------|---|---------|----------|---------------|--|--|--|--|--|--|--|--|--|--|--|--|--|--|--|--|--|--|--|--|--|--|--|--|--|--|---|---|---|
| Id               |   |         |          |               |  |  |  |  |  |  |  |  |  |  |  |  |  |  |  |  |  |  |  |  |  |  |  |  |  |  | C | B | A |
| Reset 0x00000000 | 0             |         |          |               |  |  |  |  |  |  |  |  |  |  |  |  |  |  |  |  |  |  |  |  |  |  |  |  |  |  |   |   |   |
| Id               | RW  | Field   | Value Id | Value         | Description                                      |  |  |  |  |  |  |  |  |  |  |  |  |  |  |  |  |  |  |  |  |  |  |  |  |  |   |   |   |
| A                | RW  | STARTED |          |               | Write '1' to Disable interrupt for STARTED event |  |  |  |  |  |  |  |  |  |  |  |  |  |  |  |  |  |  |  |  |  |  |  |  |  |   |   |   |
|                  |   |         |          |               | See <a href="#">EVENTS_STARTED</a>               |  |  |  |  |  |  |  |  |  |  |  |  |  |  |  |  |  |  |  |  |  |  |  |  |  |   |   |   |
|                  |   |         | Clear    | 1             | Disable  |  |  |  |  |  |  |  |  |  |  |  |  |  |  |  |  |  |  |  |  |  |  |  |  |  |   |   |   |
|                  |   |         | Disabled | 0             | Read: Disabled                                   |  |  |  |  |  |  |  |  |  |  |  |  |  |  |  |  |  |  |  |  |  |  |  |  |  |   |   |   |
|                  |   | Enabled | 1        | Read: Enabled |  |  |  |  |  |  |  |  |  |  |  |  |  |  |  |  |  |  |  |  |  |  |  |  |  |  |   |   |   |
| B                | RW  | STOPPED |          |               | Write '1' to Disable interrupt for STOPPED event |  |  |  |  |  |  |  |  |  |  |  |  |  |  |  |  |  |  |  |  |  |  |  |  |  |   |   |   |

| Bit number       | 31 30 29 28 27 26 25 24 23 22 21 20 19 18 17 16 15 14 13 12 11 10 9 8 7 6 5 4 3 2 1 0 |       |          |       |  |  |  |  |  |  |  |  |  |  |  |  |  |  |  |  |  |  |  |  |  |  |  |  |  |  |  |   |   |   |
|------------------|---|-------|----------|-------|--|--|--|--|--|--|--|--|--|--|--|--|--|--|--|--|--|--|--|--|--|--|--|--|--|--|--|---|---|---|
| Id               |   |       |          |       |  |  |  |  |  |  |  |  |  |  |  |  |  |  |  |  |  |  |  |  |  |  |  |  |  |  |  | C | B | A |
| Reset 0x00000000 | 0   |       |          |       |  |  |  |  |  |  |  |  |  |  |  |  |  |  |  |  |  |  |  |  |  |  |  |  |  |  |  |   |   |   |
| Id               | RW  | Field | Value Id | Value | Description  |  |  |  |  |  |  |  |  |  |  |  |  |  |  |  |  |  |  |  |  |  |  |  |  |  |  |   |   |   |
|                  |   |       | Clear    | 1     | See <a href="#">EVENTS_STOPPED</a><br>Disable                                      |  |  |  |  |  |  |  |  |  |  |  |  |  |  |  |  |  |  |  |  |  |  |  |  |  |  |   |   |   |
|                  |   |       | Disabled | 0     | Read: Disabled   |  |  |  |  |  |  |  |  |  |  |  |  |  |  |  |  |  |  |  |  |  |  |  |  |  |  |   |   |   |
|                  |   |       | Enabled  | 1     | Read: Enabled  |  |  |  |  |  |  |  |  |  |  |  |  |  |  |  |  |  |  |  |  |  |  |  |  |  |  |   |   |   |
| C                | RW  | END   |          |       | Write '1' to Disable interrupt for END event<br><br>See <a href="#">EVENTS_END</a> |  |  |  |  |  |  |  |  |  |  |  |  |  |  |  |  |  |  |  |  |  |  |  |  |  |  |   |   |   |
|                  |   |       | Clear    | 1     | Disable  |  |  |  |  |  |  |  |  |  |  |  |  |  |  |  |  |  |  |  |  |  |  |  |  |  |  |   |   |   |
|                  |   |       | Disabled | 0     | Read: Disabled   |  |  |  |  |  |  |  |  |  |  |  |  |  |  |  |  |  |  |  |  |  |  |  |  |  |  |   |   |   |
|                  |   |       | Enabled  | 1     | Read: Enabled  |  |  |  |  |  |  |  |  |  |  |  |  |  |  |  |  |  |  |  |  |  |  |  |  |  |  |   |   |   |

### 43.7.4 ENABLE

Address offset: 0x500

PDM module enable register

| Bit number       | 31 30 29 28 27 26 25 24 23 22 21 20 19 18 17 16 15 14 13 12 11 10 9 8 7 6 5 4 3 2 1 0 |        |          |       |                              |  |  |  |  |  |  |  |  |  |  |  |  |  |  |  |  |  |  |  |  |  |  |  |  |  |  |   |
|------------------|---|--------|----------|-------|------------------------------|--|--|--|--|--|--|--|--|--|--|--|--|--|--|--|--|--|--|--|--|--|--|--|--|--|--|---|
| Id               |   |        |          |       |                              |  |  |  |  |  |  |  |  |  |  |  |  |  |  |  |  |  |  |  |  |  |  |  |  |  |  | A |
| Reset 0x00000000 | 0   |        |          |       |                              |  |  |  |  |  |  |  |  |  |  |  |  |  |  |  |  |  |  |  |  |  |  |  |  |  |  |   |
| Id               | RW  | Field  | Value Id | Value | Description                  |  |  |  |  |  |  |  |  |  |  |  |  |  |  |  |  |  |  |  |  |  |  |  |  |  |  |   |
| A                | RW  | ENABLE |          |       | Enable or disable PDM module |  |  |  |  |  |  |  |  |  |  |  |  |  |  |  |  |  |  |  |  |  |  |  |  |  |  |   |
|                  |   |        | Disabled | 0     | Disable                      |  |  |  |  |  |  |  |  |  |  |  |  |  |  |  |  |  |  |  |  |  |  |  |  |  |  |   |
|                  |   |        | Enabled  | 1     | Enable                       |  |  |  |  |  |  |  |  |  |  |  |  |  |  |  |  |  |  |  |  |  |  |  |  |  |  |   |

### 43.7.5 PDMCLKCTRL

Address offset: 0x504

PDM clock generator control

| Bit number       | 31 30 29 28 27 26 25 24 23 22 21 20 19 18 17 16 15 14 13 12 11 10 9 8 7 6 5 4 3 2 1 0 |       |          |            |                                   |  |  |  |  |  |  |  |  |  |  |  |  |  |  |  |  |  |  |  |  |  |  |  |  |  |  |   |
|------------------|---|-------|----------|------------|-----------------------------------|--|--|--|--|--|--|--|--|--|--|--|--|--|--|--|--|--|--|--|--|--|--|--|--|--|--|---|
| Id               | A                   |       |          |            |                                   |  |  |  |  |  |  |  |  |  |  |  |  |  |  |  |  |  |  |  |  |  |  |  |  |  |  | A |
| Reset 0x08400000 | 0 0 0 0 1 0 0 0 0 0 1 0   |       |          |            |                                   |  |  |  |  |  |  |  |  |  |  |  |  |  |  |  |  |  |  |  |  |  |  |  |  |  |  |   |
| Id               | RW  | Field | Value Id | Value      | Description                       |  |  |  |  |  |  |  |  |  |  |  |  |  |  |  |  |  |  |  |  |  |  |  |  |  |  |   |
| A                | RW  | FREQ  |          |            | PDM_CLK frequency                 |  |  |  |  |  |  |  |  |  |  |  |  |  |  |  |  |  |  |  |  |  |  |  |  |  |  |   |
|                  |   |       | 1000K    | 0x08000000 | PDM_CLK = 32 MHz / 32 = 1.000 MHz |  |  |  |  |  |  |  |  |  |  |  |  |  |  |  |  |  |  |  |  |  |  |  |  |  |  |   |
|                  |   |       | Default  | 0x08400000 | PDM_CLK = 32 MHz / 31 = 1.032 MHz |  |  |  |  |  |  |  |  |  |  |  |  |  |  |  |  |  |  |  |  |  |  |  |  |  |  |   |
|                  |   |       | 1067K    | 0x08800000 | PDM_CLK = 32 MHz / 30 = 1.067 MHz |  |  |  |  |  |  |  |  |  |  |  |  |  |  |  |  |  |  |  |  |  |  |  |  |  |  |   |

### 43.7.6 MODE

Address offset: 0x508

Defines the routing of the connected PDM microphones' signals

| Bit number       | 31 30 29 28 27 26 25 24 23 22 21 20 19 18 17 16 15 14 13 12 11 10 9 8 7 6 5 4 3 2 1 0 |           |             |       |   |  |  |  |  |  |  |  |  |  |  |  |  |  |  |  |  |  |  |  |  |  |  |  |  |  |  |   |   |
|------------------|---|-----------|-------------|-------|---|--|--|--|--|--|--|--|--|--|--|--|--|--|--|--|--|--|--|--|--|--|--|--|--|--|--|---|---|
| Id               |   |           |             |       |   |  |  |  |  |  |  |  |  |  |  |  |  |  |  |  |  |  |  |  |  |  |  |  |  |  |  | B | A |
| Reset 0x00000000 | 0   |           |             |       |   |  |  |  |  |  |  |  |  |  |  |  |  |  |  |  |  |  |  |  |  |  |  |  |  |  |  |   |   |
| Id               | RW  | Field     | Value Id    | Value | Description   |  |  |  |  |  |  |  |  |  |  |  |  |  |  |  |  |  |  |  |  |  |  |  |  |  |  |   |   |
| A                | RW  | OPERATION |             |       | Mono or stereo operation  |  |  |  |  |  |  |  |  |  |  |  |  |  |  |  |  |  |  |  |  |  |  |  |  |  |  |   |   |
|                  |   |           | Stereo      | 0     | Sample and store one pair (Left + Right) of 16bit samples per RAM word R=[31:16]; L=[15:0]    |  |  |  |  |  |  |  |  |  |  |  |  |  |  |  |  |  |  |  |  |  |  |  |  |  |  |   |   |
|                  |   |           | Mono        | 1     | Sample and store two successive Left samples (16 bit each) per RAM word L1=[31:16]; L0=[15:0] |  |  |  |  |  |  |  |  |  |  |  |  |  |  |  |  |  |  |  |  |  |  |  |  |  |  |   |   |
| B                | RW  | EDGE      |             |       | Defines on which PDM_CLK edge Left (or mono) is sampled                                       |  |  |  |  |  |  |  |  |  |  |  |  |  |  |  |  |  |  |  |  |  |  |  |  |  |  |   |   |
|                  |   |           | LeftFalling | 0     | Left (or mono) is sampled on falling edge of PDM_CLK  |  |  |  |  |  |  |  |  |  |  |  |  |  |  |  |  |  |  |  |  |  |  |  |  |  |  |   |   |
|                  |   |           | LeftRising  | 1     | Left (or mono) is sampled on rising edge of PDM_CLK   |  |  |  |  |  |  |  |  |  |  |  |  |  |  |  |  |  |  |  |  |  |  |  |  |  |  |   |   |

### 43.7.7 GAINL

Address offset: 0x518

Left output gain adjustment

| Bit number       | 31 30 29 28 27 26 25 24 23 22 21 20 19 18 17 16 15 14 13 12 11 10 9 8 7 6 5 4 3 2 1 0 |       |             |       |  |  |  |  |  |  |  |  |  |  |  |  |  |  |  |  |  |  |  |  |  |  |  |  |  |  |  |  |
|------------------|---|-------|-------------|-------|--|--|--|--|--|--|--|--|--|--|--|--|--|--|--|--|--|--|--|--|--|--|--|--|--|--|--|--|
| Id               | A A A A A A A A   |       |             |       |  |  |  |  |  |  |  |  |  |  |  |  |  |  |  |  |  |  |  |  |  |  |  |  |  |  |  |  |
| Reset 0x00000028 | 0   |       |             |       |  |  |  |  |  |  |  |  |  |  |  |  |  |  |  |  |  |  |  |  |  |  |  |  |  |  |  |  |
| Id               | RW  | Field | Value Id    | Value | Description  |  |  |  |  |  |  |  |  |  |  |  |  |  |  |  |  |  |  |  |  |  |  |  |  |  |  |  |
| A                | RW  | GAINL |             |       | Left output gain adjustment, in 0.5 dB steps, around the default module gain (see electrical parameters) |  |  |  |  |  |  |  |  |  |  |  |  |  |  |  |  |  |  |  |  |  |  |  |  |  |  |  |
|                  |   |       |             | 0x00  | -20 dB gain adjust   |  |  |  |  |  |  |  |  |  |  |  |  |  |  |  |  |  |  |  |  |  |  |  |  |  |  |  |
|                  |   |       |             | 0x01  | -19.5 dB gain adjust   |  |  |  |  |  |  |  |  |  |  |  |  |  |  |  |  |  |  |  |  |  |  |  |  |  |  |  |
|                  |   |       |             | (...) |  |  |  |  |  |  |  |  |  |  |  |  |  |  |  |  |  |  |  |  |  |  |  |  |  |  |  |  |
|                  |   |       |             | 0x27  | -0.5 dB gain adjust  |  |  |  |  |  |  |  |  |  |  |  |  |  |  |  |  |  |  |  |  |  |  |  |  |  |  |  |
|                  |   |       |             | 0x28  | 0 dB gain adjust   |  |  |  |  |  |  |  |  |  |  |  |  |  |  |  |  |  |  |  |  |  |  |  |  |  |  |  |
|                  |   |       |             | 0x29  | +0.5 dB gain adjust  |  |  |  |  |  |  |  |  |  |  |  |  |  |  |  |  |  |  |  |  |  |  |  |  |  |  |  |
|                  |   |       |             | (...) |  |  |  |  |  |  |  |  |  |  |  |  |  |  |  |  |  |  |  |  |  |  |  |  |  |  |  |  |
|                  |   |       |             | 0x4F  | +19.5 dB gain adjust   |  |  |  |  |  |  |  |  |  |  |  |  |  |  |  |  |  |  |  |  |  |  |  |  |  |  |  |
|                  |   |       |             | 0x50  | +20 dB gain adjust   |  |  |  |  |  |  |  |  |  |  |  |  |  |  |  |  |  |  |  |  |  |  |  |  |  |  |  |
|                  |   |       | MinGain     | 0x00  | -20dB gain adjustment (minimum)  |  |  |  |  |  |  |  |  |  |  |  |  |  |  |  |  |  |  |  |  |  |  |  |  |  |  |  |
|                  |   |       | DefaultGain | 0x28  | 0dB gain adjustment ('2500 RMS' requirement)   |  |  |  |  |  |  |  |  |  |  |  |  |  |  |  |  |  |  |  |  |  |  |  |  |  |  |  |
|                  |   |       | MaxGain     | 0x50  | +20dB gain adjustment (maximum)  |  |  |  |  |  |  |  |  |  |  |  |  |  |  |  |  |  |  |  |  |  |  |  |  |  |  |  |

### 43.7.8 GAINR

Address offset: 0x51C

Right output gain adjustment

| Bit number       | 31 30 29 28 27 26 25 24 23 22 21 20 19 18 17 16 15 14 13 12 11 10 9 8 7 6 5 4 3 2 1 0 |       |             |       |   |  |  |  |  |  |  |  |  |  |  |  |  |  |  |  |  |  |  |  |  |  |  |  |  |  |  |  |
|------------------|---|-------|-------------|-------|---|--|--|--|--|--|--|--|--|--|--|--|--|--|--|--|--|--|--|--|--|--|--|--|--|--|--|--|
| Id               | A A A A A A A A   |       |             |       |   |  |  |  |  |  |  |  |  |  |  |  |  |  |  |  |  |  |  |  |  |  |  |  |  |  |  |  |
| Reset 0x00000028 | 0   |       |             |       |   |  |  |  |  |  |  |  |  |  |  |  |  |  |  |  |  |  |  |  |  |  |  |  |  |  |  |  |
| Id               | RW  | Field | Value Id    | Value | Description   |  |  |  |  |  |  |  |  |  |  |  |  |  |  |  |  |  |  |  |  |  |  |  |  |  |  |  |
| A                | RW  | GAINR |             |       | Right output gain adjustment, in 0.5 dB steps, around the default module gain (see electrical parameters) |  |  |  |  |  |  |  |  |  |  |  |  |  |  |  |  |  |  |  |  |  |  |  |  |  |  |  |
|                  |   |       | MinGain     | 0x00  | -20dB gain adjustment (minimum)   |  |  |  |  |  |  |  |  |  |  |  |  |  |  |  |  |  |  |  |  |  |  |  |  |  |  |  |
|                  |   |       | DefaultGain | 0x28  | 0dB gain adjustment ('2500 RMS' requirement)  |  |  |  |  |  |  |  |  |  |  |  |  |  |  |  |  |  |  |  |  |  |  |  |  |  |  |  |
|                  |   |       | MaxGain     | 0x50  | +20dB gain adjustment (maximum)   |  |  |  |  |  |  |  |  |  |  |  |  |  |  |  |  |  |  |  |  |  |  |  |  |  |  |  |

### 43.7.9 PSEL.CLK

Address offset: 0x540

Pin number configuration for PDM CLK signal

| Bit number       | 31 30 29 28 27 26 25 24 23 22 21 20 19 18 17 16 15 14 13 12 11 10 9 8 7 6 5 4 3 2 1 0 |         |              |         |             |  |  |  |  |  |  |  |  |  |  |  |  |  |  |  |  |  |  |  |  |  |  |  |  |  |  |  |
|------------------|---|---------|--------------|---------|-------------|--|--|--|--|--|--|--|--|--|--|--|--|--|--|--|--|--|--|--|--|--|--|--|--|--|--|--|
| Id               | B   |         |              |         |             |  |  |  |  |  |  |  |  |  |  |  |  |  |  |  |  |  |  |  |  |  |  |  |  |  |  |  |
| Reset 0xFFFFFFFF | 1   |         |              |         |             |  |  |  |  |  |  |  |  |  |  |  |  |  |  |  |  |  |  |  |  |  |  |  |  |  |  |  |
| Id               | RW  | Field   | Value Id     | Value   | Description |  |  |  |  |  |  |  |  |  |  |  |  |  |  |  |  |  |  |  |  |  |  |  |  |  |  |  |
| A                | RW  | PIN     |              | [0..31] | Pin number  |  |  |  |  |  |  |  |  |  |  |  |  |  |  |  |  |  |  |  |  |  |  |  |  |  |  |  |
| B                | RW  | CONNECT |              |         | Connection  |  |  |  |  |  |  |  |  |  |  |  |  |  |  |  |  |  |  |  |  |  |  |  |  |  |  |  |
|                  |   |         | Disconnected | 1       | Disconnect  |  |  |  |  |  |  |  |  |  |  |  |  |  |  |  |  |  |  |  |  |  |  |  |  |  |  |  |
|                  |   |         | Connected    | 0       | Connect     |  |  |  |  |  |  |  |  |  |  |  |  |  |  |  |  |  |  |  |  |  |  |  |  |  |  |  |

### 43.7.10 PSEL.DIN

Address offset: 0x544

### Pin number configuration for PDM DIN signal

| Bit number       | 31 | 30      | 29           | 28      | 27          | 26 | 25 | 24 | 23 | 22 | 21 | 20 | 19 | 18 | 17 | 16 | 15 | 14 | 13 | 12 | 11 | 10 | 9 | 8 | 7 | 6 | 5 | 4 | 3 | 2 | 1 | 0 |
|------------------|----|---------|--------------|---------|-------------|----|----|----|----|----|----|----|----|----|----|----|----|----|----|----|----|----|---|---|---|---|---|---|---|---|---|---|
| Id               | B  |         |              |         |             |    |    |    |    |    |    |    |    |    |    |    |    |    |    |    |    |    |   |   |   |   |   |   |   |   |   |   |
| Reset 0xFFFFFFFF | 1  | 1       | 1            | 1       | 1           | 1  | 1  | 1  | 1  | 1  | 1  | 1  | 1  | 1  | 1  | 1  | 1  | 1  | 1  | 1  | 1  | 1  | 1 | 1 | 1 | 1 | 1 | 1 | 1 | 1 | 1 |   |
| Id               | RW | Field   | Value Id     | Value   | Description |    |    |    |    |    |    |    |    |    |    |    |    |    |    |    |    |    |   |   |   |   |   |   |   |   |   |   |
| A                | RW | PIN     |              | [0..31] | Pin number  |    |    |    |    |    |    |    |    |    |    |    |    |    |    |    |    |    |   |   |   |   |   |   |   |   |   |   |
| B                | RW | CONNECT |              |         | Connection  |    |    |    |    |    |    |    |    |    |    |    |    |    |    |    |    |    |   |   |   |   |   |   |   |   |   |   |
|                  |    |         | Disconnected | 1       | Disconnect  |    |    |    |    |    |    |    |    |    |    |    |    |    |    |    |    |    |   |   |   |   |   |   |   |   |   |   |
|                  |    |         | Connected    | 0       | Connect     |    |    |    |    |    |    |    |    |    |    |    |    |    |    |    |    |    |   |   |   |   |   |   |   |   |   |   |

### 43.7.11 SAMPLE.PTR

Address offset: 0x560

RAM address pointer to write samples to with EasyDMA

| Bit number       | 31 | 30        | 29       | 28    | 27                                       | 26 | 25 | 24 | 23 | 22 | 21 | 20 | 19 | 18 | 17 | 16 | 15 | 14 | 13 | 12 | 11 | 10 | 9 | 8 | 7 | 6 | 5 | 4 | 3 | 2 | 1 | 0 |
|------------------|----|-----------|----------|-------|--|----|----|----|----|----|----|----|----|----|----|----|----|----|----|----|----|----|---|---|---|---|---|---|---|---|---|---|
| Id               | A  | A         | A        | A     | A  | A  | A  | A  | A  | A  | A  | A  | A  | A  | A  | A  | A  | A  | A  | A  | A  | A  | A | A | A | A | A | A | A | A | A |   |
| Reset 0x00000000 | 0  | 0         | 0        | 0     | 0  | 0  | 0  | 0  | 0  | 0  | 0  | 0  | 0  | 0  | 0  | 0  | 0  | 0  | 0  | 0  | 0  | 0  | 0 | 0 | 0 | 0 | 0 | 0 | 0 | 0 | 0 |   |
| Id               | RW | Field     | Value Id | Value | Description                              |    |    |    |    |    |    |    |    |    |    |    |    |    |    |    |    |    |   |   |   |   |   |   |   |   |   |   |
| A                | RW | SAMPLEPTR |          |       | Address to write PDM samples to over DMA |    |    |    |    |    |    |    |    |    |    |    |    |    |    |    |    |    |   |   |   |   |   |   |   |   |   |   |

### 43.7.12 SAMPLE.MAXCNT

Address offset: 0x564

Number of samples to allocate memory for in EasyDMA mode

| Bit number       | 31  | 30      | 29       | 28         | 27  | 26 | 25 | 24 | 23 | 22 | 21 | 20 | 19 | 18 | 17 | 16 | 15 | 14 | 13 | 12 | 11 | 10 | 9 | 8 | 7 | 6 | 5 | 4 | 3 | 2 | 1 | 0 |
|------------------|---|---------|----------|------------|---|----|----|----|----|----|----|----|----|----|----|----|----|----|----|----|----|----|---|---|---|---|---|---|---|---|---|---|
| Id               | A |         |          |            |   |    |    |    |    |    |    |    |    |    |    |    |    |    |    |    |    |    |   |   |   |   |   |   |   |   |   |   |
| Reset 0x00000000 | 0   | 0       | 0        | 0          | 0   | 0  | 0  | 0  | 0  | 0  | 0  | 0  | 0  | 0  | 0  | 0  | 0  | 0  | 0  | 0  | 0  | 0  | 0 | 0 | 0 | 0 | 0 | 0 | 0 | 0 | 0 |   |
| Id               | RW  | Field   | Value Id | Value      | Description                                       |    |    |    |    |    |    |    |    |    |    |    |    |    |    |    |    |    |   |   |   |   |   |   |   |   |   |   |
| A                | RW  | BUFSIZE |          | [0..32767] | Length of DMA RAM allocation in number of samples |    |    |    |    |    |    |    |    |    |    |    |    |    |    |    |    |    |   |   |   |   |   |   |   |   |   |   |

## 43.8 Electrical specification

### 43.8.1 PDM Electrical Specification

| Symbol             | Description   | Min. | Typ.  | Max. | Units |
|--------------------|---|------|-------|------|-------|
| $I_{PDM, stereo}$  | PDM module active current, stereo operation <sup>38</sup> |      | 1.4   |      | mA    |
| $f_{PDM, CLK}$     | PDM clock speed   |      | 1.032 |      | MHz   |
| $t_{PDM, JITTER}$  | Jitter in PDM clock output                                |      |       | 20   | ns    |
| $T_{dPDM, CLK}$    | PDM clock duty cycle                                      | 40   | 50    | 60   | %     |
| $t_{PDM, DATA}$    | Decimation filter delay                                   |      |       | 5    | ms    |
| $t_{PDM, cv}$      | Allowed clock edge to data valid                          |      |       | 125  | ns    |
| $t_{PDM, ci}$      | Allowed (other) clock edge to data invalid                | 0    |       |      | ns    |
| $t_{PDM, s}$       | Data setup time at $f_{PDM, CLK}=1.024$ MHz               | 65   |       |      | ns    |
| $t_{PDM, h}$       | Data hold time at $f_{PDM, CLK}=1.024$ MHz                | 0    |       |      | ns    |
| $G_{PDM, default}$ | Default (reset) absolute gain of the PDM module           |      | 3.2   |      | dB    |

<sup>38</sup> Average current including PDM and DMA transfers, excluding clock and power supply base currents

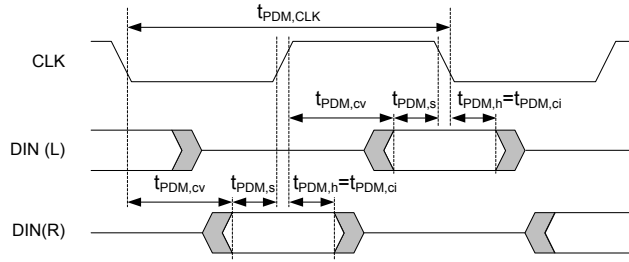


Figure 128: PDM timing diagram

## 44 I<sup>2</sup>S — Inter-IC sound interface

The I<sup>2</sup>S (Inter-IC Sound) module, supports the original two-channel I<sup>2</sup>S format, and left or right-aligned formats. It implements EasyDMA for sample transfer directly to and from RAM without CPU intervention.

The I<sup>2</sup>S peripheral has the following main features:

- Master and Slave mode
- Simultaneous bi-directional (TX and RX) audio streaming
- Original I<sup>2</sup>S and left- or right-aligned format
- 8, 16 and 24-bit sample width
- Low-jitter Master Clock generator
- Various sample rates

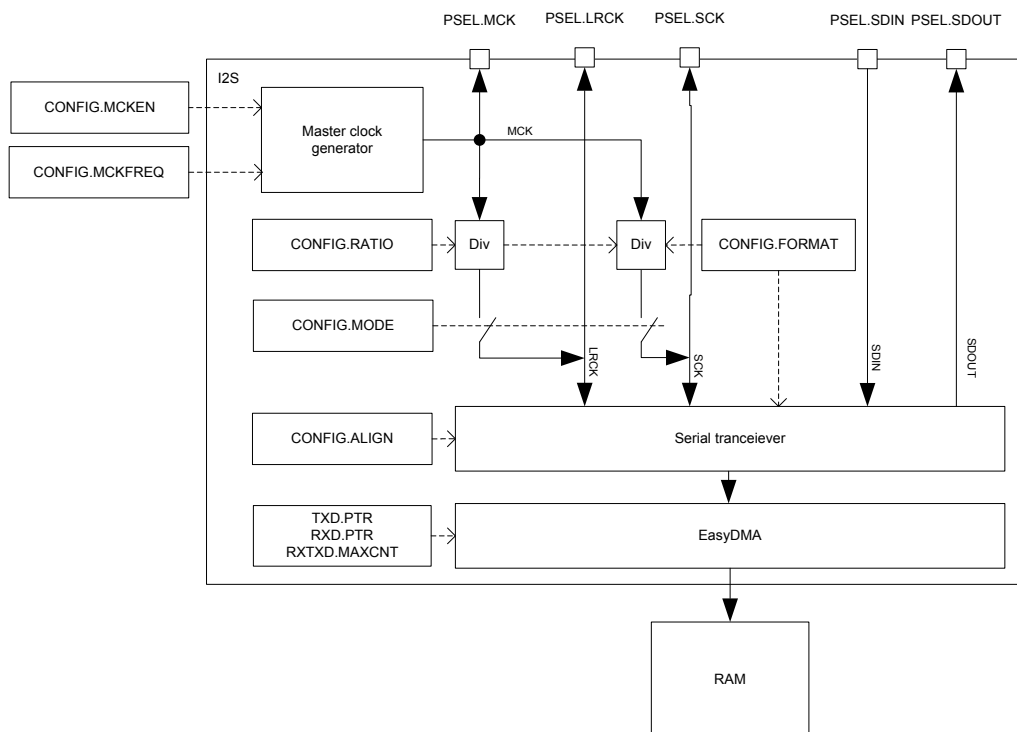


Figure 129: I<sup>2</sup>S master

### 44.1 Mode

The I<sup>2</sup>S protocol specification defines two modes of operation, Master and Slave.

The I<sup>2</sup>S mode decides which of the two sides (Master or Slave) shall provide the clock signals LRCK and SCK, and these signals are always supplied by the Master to the Slave.

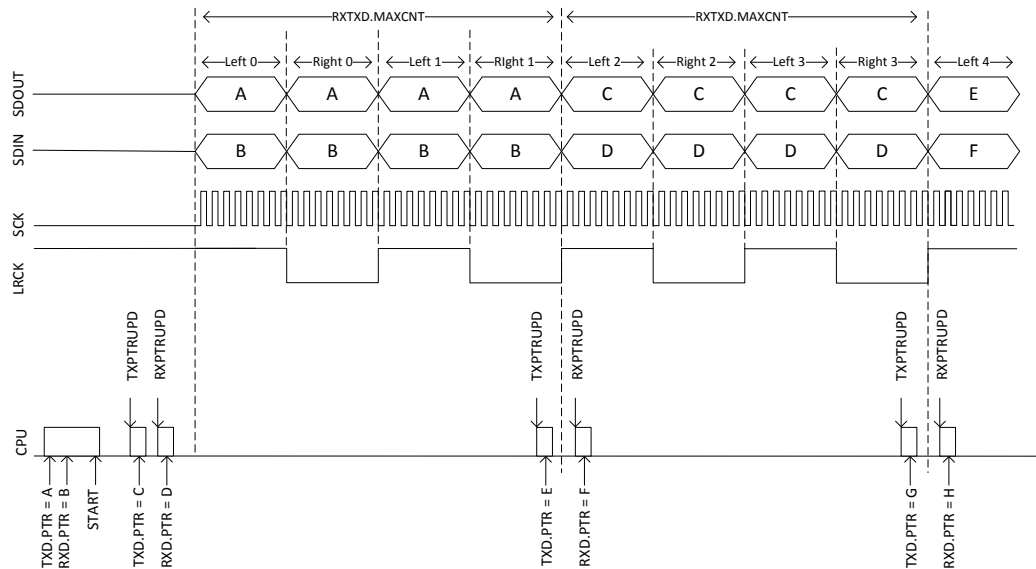
### 44.2 Transmitting and receiving

The I<sup>2</sup>S module supports both transmission (TX) and reception (RX) of serial data. In both cases the serial data is shifted synchronously to the clock signals SCK and LRCK.

TX data is written to the SDOUT pin on the falling edge of SCK, and RX data is read from the SDIN pin on the rising edge of SCK. The most significant bit (MSB) is always transmitted first.

TX and RX are available in both Master and Slave modes and can be enabled/disabled independently in the [CONFIG.TXEN](#) on page 456 and [CONFIG.RXEN](#) on page 456.

Transmission and/or reception is started by triggering the START task. When started and transmission is enabled (in [CONFIG.TXEN](#) on page 456), the TXPTRUPD event will be generated for every [RXTXD.MAXCNT](#) on page 459 number of transmitted data words (containing one or more samples). Similarly, when started and reception is enabled (in [CONFIG.RXEN](#) on page 456), the RXPTRUPD event will be generated for every [RXTXD.MAXCNT](#) on page 459 received data words.



**Figure 130: Transmitting and receiving. CONFIG.FORMAT = Aligned, CONFIG.SWIDTH = 8Bit, CONFIG.CHANNELS = Stereo, RXTXD.MAXCNT = 1.**

### 44.3 Left right clock (LRCK)

The Left Right Clock (LRCK), often referred to as "word clock", "sample clock" or "word select" in I<sup>2</sup>S context, is the clock defining the frames in the serial bit streams sent and received on SDOUT and SDIN, respectively.

In I<sup>2</sup>S mode, each frame contains one left and right sample pair, with the left sample being transferred during the low half period of LRCK followed by the right sample being transferred during the high period of LRCK.

In Aligned mode, each frame contains one left and right sample pair, with the left sample being transferred during the high half period of LRCK followed by the right sample being transferred during the low period of LRCK.

Consequently, the LRCK frequency is equivalent to the audio sample rate.

When operating in Master mode, the LRCK is generated from the MCK, and the frequency of LRCK is then given as:

$$\text{LRCK} = \text{MCK} / \text{CONFIG.RATIO}$$

LRCK always toggles around the falling edge of the serial clock SCK.

### 44.4 Serial clock (SCK)

The serial clock (SCK), often referred to as the serial bit clock, pulses once for each data bit being transferred on the serial data lines SDIN and SDOUT.

When operating in Master mode the SCK is generated from the MCK, and the frequency of SCK is then given as:

$$\text{SCK} = 2 * \text{LRCK} * \text{CONFIG.SWIDTH}$$

The falling edge of the SCK falls on the toggling edge of LRCK.

When operating in Slave mode SCK is provided by the external I<sup>2</sup>S master.

## 44.5 Master clock (MCK)

The master clock (MCK) is the clock from which LRCK and SCK are derived when operating in Master mode.

The MCK is generated by an internal MCK generator. This generator always needs to be enabled when in Master mode, but the generator can also be enabled when in Slave mode. Enabling the generator when in slave mode can be useful in the case where the external Master is not able to generate its own master clock.

The MCK generator is enabled/disabled in the register [CONFIG.MCKEN](#) on page 457, and the generator is started or stopped by the START or STOP tasks.

In Master mode the LRCK and the SCK frequencies are closely related, as both are derived from MCK and set indirectly through [CONFIG.RATIO](#) on page 457 and [CONFIG.SWIDTH](#) on page 458.

When configuring these registers, the user is responsible for fulfilling the following requirements:

1. SCK frequency can never exceed the MCK frequency, which can be formulated as:

$$\text{CONFIG.RATIO} \geq 2 * \text{CONFIG.SWIDTH}$$

2. The MCK/LRCK ratio shall be a multiple of  $2 * \text{CONFIG.SWIDTH}$ , which can be formulated as:

$$\text{Integer} = (\text{CONFIG.RATIO} / (2 * \text{CONFIG.SWIDTH}))$$

The MCK signal can be routed to an output pin (specified in PSEL.MCK) to supply external I<sup>2</sup>S devices that require the MCK to be supplied from the outside.

When operating in Slave mode, the I<sup>2</sup>S module does not use the MCK and the MCK generator does not need to be enabled.



Figure 131: Relation between RATIO, MCK and LRCK.

Table 105: Configuration examples

| Desired LRCK [Hz] | CONFIG.SWIDTH | CONFIG.RATIO | CONFIG.MCKFREQ | MCK [Hz]   | LRCK [Hz] | LRCK error [%] |
|-------------------|---------------|--------------|----------------|------------|-----------|----------------|
| 16000             | 16Bit         | 32X          | 32MDIV63       | 507936.5   | 15873.0   | -0.8           |
| 16000             | 16Bit         | 64X          | 32MDIV31       | 1032258.1  | 16129.0   | 0.8            |
| 16000             | 16Bit         | 256X         | 32MDIV8        | 4000000.0  | 15625.0   | -2.3           |
| 32000             | 16Bit         | 32X          | 32MDIV31       | 1032258.1  | 32258.1   | 0.8            |
| 32000             | 16Bit         | 64X          | 32MDIV16       | 2000000.0  | 31250.0   | -2.3           |
| 32000             | 16Bit         | 256X         | 32MDIV4        | 8000000.0  | 31250.0   | -2.3           |
| 44100             | 16Bit         | 32X          | 32MDIV23       | 1391304.3  | 43478.3   | -1.4           |
| 44100             | 16Bit         | 64X          | 32MDIV11       | 2909090.9  | 45454.5   | 3.1            |
| 44100             | 16Bit         | 256X         | 32MDIV3        | 10666666.7 | 41666.7   | -5.5           |

## 44.6 Width, alignment and format

The CONFIG.SWIDTH register primarily defines the sample width of the data written to memory. In master mode, it then also sets the amount of bits per frame. In Slave mode it controls padding/trimming if required. Left, right, transmitted, and received samples always have the same width. The CONFIG.FORMAT register specifies the position of the data frames with respect to the LRCK edges in both Master and Slave modes.



When using I<sup>2</sup>S format, the first bit in a half-frame (containing one left or right sample) gets sampled on the second rising edge of the SCK after a LRCK edge. When using Aligned mode, the first bit in a half-frame gets sampled on the first rising edge of SCK following a LRCK edge.

For data being received on SDIN the sample value can be either right or left-aligned inside a half-frame, as specified in [CONFIG.ALIGN](#) on page 458. [CONFIG.ALIGN](#) on page 458 affects only the decoding of the incoming samples (SDIN), while the outgoing samples (SDOUT) are always left-aligned (or justified).

When using left-alignment, each half-frame starts with the MSB of the sample value (both for data being sent on SDOUT and received on SDIN).

When using right-alignment, each half-frame of data being received on SDIN ends with the LSB of the sample value, while each half-frame of data being sent on SDOUT starts with the MSB of the sample value (same as for left-alignment).

In Master mode, the size of a half-frame (in number of SCK periods) equals the sample width (in number of bits), and in this case the alignment setting does not care as each half-frame in any case will start with the MSB and end with the LSB of the sample value.

In slave mode, however, the sample width does not need to equal the frame size. This means you might have extra or fewer SCK pulses per half-frame than what the sample width specified in [CONFIG.SWIDTH](#) requires.

In the case where we use **left-alignment** and the number of SCK pulses per half-frame is **higher** than the sample width, the following will apply:

- For data received on SDIN, all bits after the LSB of the sample value will be discarded.
- For data sent on SDOUT, all bits after the LSB of the sample value will be 0.

In the case where we use **left-alignment** and the number of SCK pulses per frame is **lower** than the sample width, the following will apply:

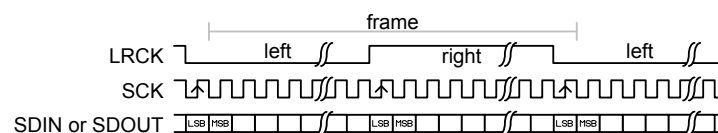
- Data sent and received on SDOUT and SDIN will be truncated with the LSBs being removed first.

In the case where we use **right-alignment** and the number of SCK pulses per frame is **higher** than the sample width, the following will apply:

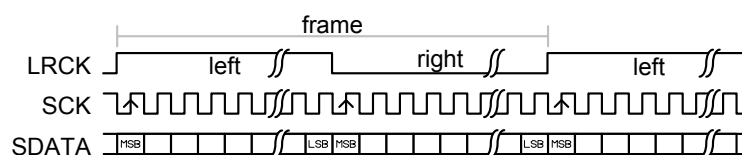
- For data received on SDIN, all bits before the MSB of the sample value will be discarded.
- For data sent on SDOUT, all bits after the LSB of the sample value will be 0 (same behavior as for left-alignment).

In the case where we use **right-alignment** and the number of SCK pulses per frame is **lower** than the sample width, the following will apply:

- Data received on SDIN will be sign-extended to "sample width" number of bits before being written to memory.
- Data sent on SDOUT will be truncated with the LSBs being removed first (same behavior as for left-alignment).



**Figure 132: I<sup>2</sup>S format. CONFIG.SWIDTH equalling half-frame size.**



**Figure 133: Aligned format. CONFIG.SWIDTH equalling half-frame size.**

## 44.7 EasyDMA

The I<sup>2</sup>S module implements EasyDMA for accessing internal Data RAM without CPU intervention.

The source and destination pointers for the TX and RX data are configured in [TXD.PTR](#) on page 459 and [RXD.PTR](#) on page 459. The memory pointed to by these pointers will only be read or written when TX or RX are enabled in [CONFIG.TXEN](#) on page 456 and [CONFIG.RXEN](#) on page 456.

The addresses written to the pointer registers [TXD.PTR](#) on page 459 and [RXD.PTR](#) on page 459 are double-buffered in hardware, and these double buffers are updated for every [RXTXD.MAXCNT](#) on page 459 words (containing one or more samples) read/written from/to memory. The events TXPTRUPD and RXPTRUPD are generated whenever the TXD.PTR and RXD.PTR are transferred to these double buffers.

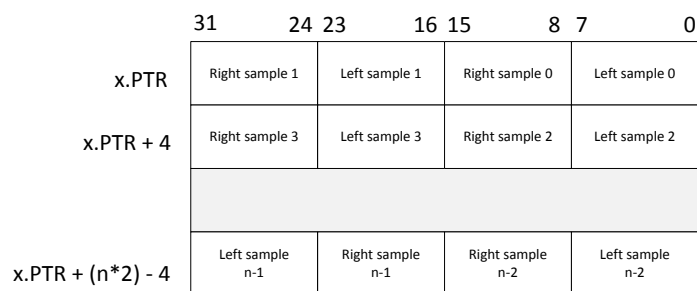
If [TXD.PTR](#) on page 459 is not pointing to the Data RAM region when transmission is enabled, or [RXD.PTR](#) on page 459 is not pointing to the Data RAM region when reception is enabled, an EasyDMA transfer may result in a HardFault and/or memory corruption. See [Memory](#) on page 23 for more information about the different memory regions.

Due to the nature of I<sup>2</sup>S, where the number of transmitted samples always equals the number of received samples (at least when both TX and RX are enabled), one common register [RXTXD.MAXCNT](#) on page 459 is used for specifying the sizes of these two memory buffers. The size of the buffers is specified in a number of 32-bit words. Such a 32-bit memory word can either contain four 8-bit samples, two 16-bit samples or one right-aligned 24-bit sample sign extended to 32 bit.

In stereo mode ([CONFIG.CHANNELS](#)=Stereo), the samples are stored as "left and right sample pairs" in memory. Figure [Figure 134: Memory mapping for 8 bit stereo. CONFIG.SWIDTH = 8Bit, CONFIG.CHANNELS = Stereo.](#) on page 450, [Figure 136: Memory mapping for 16 bit stereo. CONFIG.SWIDTH = 16Bit, CONFIG.CHANNELS = Stereo.](#) on page 451 and [Figure 138: Memory mapping for 24 bit stereo. CONFIG.SWIDTH = 24Bit, CONFIG.CHANNELS = Stereo.](#) on page 451 show how the samples are mapped to memory in this mode. The mapping is valid for both RX and TX.

In mono mode ([CONFIG.CHANNELS](#)=Left or Right), RX sample from only one channel in the frame is stored in memory, the other channel sample is ignored. Illustrations [Figure 135: Memory mapping for 8 bit mono. CONFIG.SWIDTH = 8Bit, CONFIG.CHANNELS = Left.](#) on page 451, [Figure 137: Memory mapping for 16 bit mono, left channel only. CONFIG.SWIDTH = 16Bit, CONFIG.CHANNELS = Left.](#) on page 451 and [Figure 139: Memory mapping for 24 bit mono, left channel only. CONFIG.SWIDTH = 24Bit, CONFIG.CHANNELS = Left.](#) on page 452 show how RX samples are mapped to memory in this mode.

For TX, the same outgoing sample read from memory is transmitted on both left and right in a frame, resulting in a mono output stream.



**Figure 134: Memory mapping for 8 bit stereo. CONFIG.SWIDTH = 8Bit, CONFIG.CHANNELS = Stereo.**

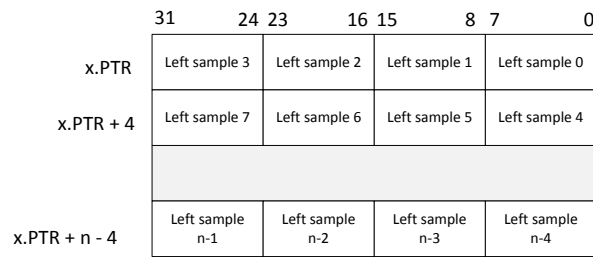


Figure 135: Memory mapping for 8 bit mono. CONFIG.SWIDTH = 8Bit, CONFIG.CHANNELS = Left.



Figure 136: Memory mapping for 16 bit stereo. CONFIG.SWIDTH = 16Bit, CONFIG.CHANNELS = Stereo.



Figure 137: Memory mapping for 16 bit mono, left channel only. CONFIG.SWIDTH = 16Bit, CONFIG.CHANNELS = Left.

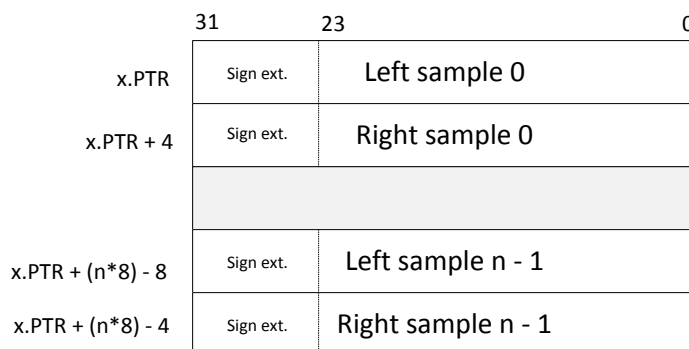


Figure 138: Memory mapping for 24 bit stereo. CONFIG.SWIDTH = 24Bit, CONFIG.CHANNELS = Stereo.



**Figure 139: Memory mapping for 24 bit mono, left channel only. CONFIG.SWIDTH = 24Bit, CONFIG.CHANNELS = Left.**

## 44.8 Module operation

Described here is a typical operating procedure for the I<sup>2</sup>S module.

### 1. Configure the I<sup>2</sup>S module using the CONFIG registers

```
// Enable reception
NRF_I2S->CONFIG.RXEN = (I2S_CONFIG_RXEN_RXEN_Enabled <<
                        I2S_CONFIG_RXEN_RXEN_Pos);

// Enable transmission
NRF_I2S->CONFIG.TXEN = (I2S_CONFIG_TXEN_TXEN_Enabled <<
                        I2S_CONFIG_TXEN_TXEN_Pos);

// Enable MCK generator
NRF_I2S->CONFIG.MCKEN = (I2S_CONFIG_MCKEN_MCKEN_Enabled <<
                          I2S_CONFIG_MCKEN_MCKEN_Pos);

// MCKFREQ = 4 MHz
NRF_I2S->CONFIG.MCKFREQ = I2S_CONFIG_MCKFREQ_MCKFREQ_32MDIV8 <<
                           I2S_CONFIG_MCKFREQ_MCKFREQ_Pos;

// Ratio = 256
NRF_I2S->CONFIG.RATIO = I2S_CONFIG_RATIO_RATIO_256X <<
                        I2S_CONFIG_RATIO_RATIO_Pos;

// MCKFREQ = 4 MHz and Ratio = 256 gives sample rate = 15.625 ks/s
// Sample width = 16 bit
NRF_I2S->CONFIG.SWIDTH = I2S_CONFIG_SWIDTH_SWIDTH_16Bit <<
                          I2S_CONFIG_SWIDTH_SWIDTH_Pos;

// Alignment = Left
NRF_I2S->CONFIG.ALIGN = I2S_CONFIG_ALIGN_ALIGN_Left <<
                        I2S_CONFIG_ALIGN_ALIGN_Pos;

// Format = I2S
NRF_I2S->CONFIG.FORMAT = I2S_CONFIG_FORMAT_FORMAT_I2S <<
                         I2S_CONFIG_FORMAT_FORMAT_Pos;

// Use stereo
NRF_I2S->CONFIG.CHANNELS = I2S_CONFIG_CHANNELS_CHANNELS_Stereo <<
                           I2S_CONFIG_CHANNELS_CHANNELS_Pos;
```

### 2. Map IO pins using the PINSEL registers

```
// MCK routed to pin 0
NRF_I2S->PSEL.MCK = (0 << I2S_PSEL_MCK_PIN_Pos) |
                    (I2S_PSEL_MCK_CONNECT_Connected <<
                     I2S_PSEL_MCK_CONNECT_Pos);

// SCK routed to pin 1
NRF_I2S->PSEL.SCK = (1 << I2S_PSEL_SCK_PIN_Pos) |
                    (I2S_PSEL_SCK_CONNECT_Connected <<
                     I2S_PSEL_SCK_CONNECT_Pos);

// LRCK routed to pin 2
NRF_I2S->PSEL.LRCK = (2 << I2S_PSEL_LRCK_PIN_Pos) |
                     (I2S_PSEL_LRCK_CONNECT_Connected <<
```

```

    I2S_PSEL_LRCK_CONNECT_Pos);
// SDOUT routed to pin 3
NRF_I2S->PSEL.SDOUT = (3 << I2S_PSEL_SDOUT_PIN_Pos) |
                      (I2S_PSEL_SDOUT_CONNECT_Connected <<

    I2S_PSEL_SDOUT_CONNECT_Pos);
// SDIN routed on pin 4
NRF_I2S->PSEL.SDIN = (4 << I2S_PSEL_SDIN_PIN_Pos) |
                    (I2S_PSEL_SDIN_CONNECT_Connected <<

    I2S_PSEL_SDIN_CONNECT_Pos);

```

### 3. Configure TX and RX data pointers using the TXD, RXD and RXTXD registers

```

NRF_I2S->TXD.PTR = my_tx_buf;
NRF_I2S->RXD.PTR = my_rx_buf;
NRF_I2S->TXD.MAXCNT = MY_BUF_SIZE;

```

### 4. Enable the I<sup>2</sup>S module using the ENABLE register

```

NRF_I2S->ENABLE = 1;

```

### 5. Start audio streaming using the START task

```

NRF_I2S->TASKS_START = 1;

```

### 6. Handle received and transmitted data when receiving the TXPTRUPD and RXPTRUPD events

```

if(NRF_I2S->EVENTS_TXPTRUPD != 0)
{
    NRF_I2S->TXD.PTR = my_next_tx_buf;
    NRF_I2S->EVENTS_TXPTRUPD = 0;
}

if(NRF_I2S->EVENTS_RXPTRUPD != 0)
{
    NRF_I2S->RXD.PTR = my_next_rx_buf;
    NRF_I2S->EVENTS_RXPTRUPD = 0;
}

```

## 44.9 Pin configuration

The MCK, SCK, LRCK, SDIN and SDOUT signals associated with the I<sup>2</sup>S module are mapped to physical pins according to the pin numbers specified in the PSEL.x registers.

These pins are acquired whenever the I<sup>2</sup>S module is enabled through the register [ENABLE](#) on page 456.

When a pin is acquired by the I<sup>2</sup>S module, the direction of the pin (input or output) will be configured automatically, and any pin direction setting done in the GPIO module will be overridden. The directions for the various I<sup>2</sup>S pins are shown below in [Table 106: GPIO configuration before enabling peripheral \(master mode\)](#) on page 453 and [Table 107: GPIO configuration before enabling peripheral \(slave mode\)](#) on page 454.

To secure correct signal levels on the pins when the system is in OFF mode, and when the I<sup>2</sup>S module is disabled, these pins must be configured in the GPIO peripheral directly.

**Table 106: GPIO configuration before enabling peripheral (master mode)**

| I <sup>2</sup> S signal | I <sup>2</sup> S pin      | Direction | Output value | Comment |
|-------------------------|---------------------------|-----------|--------------|---------|
| MCK                     | As specified in PSEL.MCK  | Output    | 0            |         |
| LRCK                    | As specified in PSEL.LRCK | Output    | 0            |         |

| I <sup>2</sup> S signal | I <sup>2</sup> S pin       | Direction | Output value   | Comment |
|-------------------------|----------------------------|-----------|----------------|---------|
| SCK                     | As specified in PSEL.SCK   | Output    | 0              |         |
| SDIN                    | As specified in PSEL.SDIN  | Input     | Not applicable |         |
| SDOUT                   | As specified in PSEL.SDOUT | Output    | 0              |         |

**Table 107: GPIO configuration before enabling peripheral (slave mode)**

| I <sup>2</sup> S signal | I <sup>2</sup> S pin       | Direction | Output value   | Comment |
|-------------------------|----------------------------|-----------|----------------|---------|
| MCK                     | As specified in PSEL.MCK   | Output    | 0              |         |
| LRCK                    | As specified in PSEL.LRCK  | Input     | Not applicable |         |
| SCK                     | As specified in PSEL.SCK   | Input     | Not applicable |         |
| SDIN                    | As specified in PSEL.SDIN  | Input     | Not applicable |         |
| SDOUT                   | As specified in PSEL.SDOUT | Output    | 0              |         |

## 44.10 Registers

**Table 108: Instances**

| Base address | Peripheral | Instance | Description              | Configuration |
|--------------|------------|----------|--------------------------|---------------|
| 0x40025000   | I2S        | I2S      | Inter-IC Sound Interface |               |

**Table 109: Register Overview**

| Register               | Offset | Description   |
|------------------------|--------|---|
| TASKS_START            | 0x000  | Starts continuous I2S transfer. Also starts MCK generator when this is enabled.   |
| TASKS_STOP             | 0x004  | Stops I2S transfer. Also stops MCK generator. Triggering this task will cause the {event:STOPPED} event to be generated.  |
| EVENTS_RXPTRUPD        | 0x104  | The RXD.PTR register has been copied to internal double-buffers. When the I2S module is started and RX is enabled, this event will be generated for every RXTXD.MAXCNT words that are received on the SDIN pin. |
| EVENTS_STOPPED         | 0x108  | I2S transfer stopped.   |
| EVENTS_TXPTRUPD        | 0x114  | The TDX.PTR register has been copied to internal double-buffers. When the I2S module is started and TX is enabled, this event will be generated for every RXTXD.MAXCNT words that are sent on the SDOUT pin.    |
| <i>INTEN</i>           | 0x300  | Enable or disable interrupt   |
| <i>INTENSET</i>        | 0x304  | Enable interrupt  |
| <i>INTENCLR</i>        | 0x308  | Disable interrupt   |
| <i>ENABLE</i>          | 0x500  | Enable I2S module.  |
| <i>CONFIG.MODE</i>     | 0x504  | I2S mode.   |
| <i>CONFIG.RXEN</i>     | 0x508  | Reception (RX) enable.  |
| <i>CONFIG.TXEN</i>     | 0x50C  | Transmission (TX) enable.   |
| <i>CONFIG.MCKEN</i>    | 0x510  | Master clock generator enable.  |
| <i>CONFIG.MCKFREQ</i>  | 0x514  | Master clock generator frequency.   |
| <i>CONFIG.RATIO</i>    | 0x518  | MCK / LRCK ratio.   |
| <i>CONFIG.SWIDTH</i>   | 0x51C  | Sample width.   |
| <i>CONFIG.ALIGN</i>    | 0x520  | Alignment of sample within a frame.   |
| <i>CONFIG.FORMAT</i>   | 0x524  | Frame format.   |
| <i>CONFIG.CHANNELS</i> | 0x528  | Enable channels.  |
| <i>RXD.PTR</i>         | 0x538  | Receive buffer RAM start address.   |
| <i>TXD.PTR</i>         | 0x540  | Transmit buffer RAM start address.  |
| <i>RXTXD.MAXCNT</i>    | 0x550  | Size of RXD and TXD buffers.  |
| <i>PSEL.MCK</i>        | 0x560  | Pin select for MCK signal.  |
| <i>PSEL.SCK</i>        | 0x564  | Pin select for SCK signal.  |
| <i>PSEL.LRCK</i>       | 0x568  | Pin select for LRCK signal.   |
| <i>PSEL.SDIN</i>       | 0x56C  | Pin select for SDIN signal.   |
| <i>PSEL.SDOUT</i>      | 0x570  | Pin select for SDOUT signal.  |

### 44.10.1 INTEN

Address offset: 0x300

Enable or disable interrupt

| Bit number       | 31 30 29 28 27 26 25 24 23 22 21 20 19 18 17 16 15 14 13 12 11 10 9 8 7 6 5 4 3 2 1 0 |          |          |    |       |  |  |  |  |  |  |  |  |  |  |  |  |  |  |  |  |  |  |  |  |  |  |   |   |   |  |
|------------------|---|----------|----------|----|-------|--|--|--|--|--|--|--|--|--|--|--|--|--|--|--|--|--|--|--|--|--|--|---|---|---|--|
| Id               |   |          |          |    |       |  |  |  |  |  |  |  |  |  |  |  |  |  |  |  |  |  |  |  |  |  |  | F | C | B |  |
| Reset 0x00000000 | 0             |          |          |    |       |  |  |  |  |  |  |  |  |  |  |  |  |  |  |  |  |  |  |  |  |  |  |   |   |   |  |
| Id               | RW  | Field    | Value    | Id | Value | Description                                    |  |  |  |  |  |  |  |  |  |  |  |  |  |  |  |  |  |  |  |  |  |   |   |   |  |
| B                | RW  | RXPTRUPD |          |    |       | Enable or disable interrupt for RXPTRUPD event |  |  |  |  |  |  |  |  |  |  |  |  |  |  |  |  |  |  |  |  |  |   |   |   |  |
|                  |   |          |          |    |       | See <a href="#">EVENTS_RXPTRUPD</a>            |  |  |  |  |  |  |  |  |  |  |  |  |  |  |  |  |  |  |  |  |  |   |   |   |  |
|                  |   |          | Disabled |    | 0     | Disable  |  |  |  |  |  |  |  |  |  |  |  |  |  |  |  |  |  |  |  |  |  |   |   |   |  |
|                  |   |          | Enabled  |    | 1     | Enable   |  |  |  |  |  |  |  |  |  |  |  |  |  |  |  |  |  |  |  |  |  |   |   |   |  |
| C                | RW  | STOPPED  |          |    |       | Enable or disable interrupt for STOPPED event  |  |  |  |  |  |  |  |  |  |  |  |  |  |  |  |  |  |  |  |  |  |   |   |   |  |
|                  |   |          |          |    |       | See <a href="#">EVENTS_STOPPED</a>             |  |  |  |  |  |  |  |  |  |  |  |  |  |  |  |  |  |  |  |  |  |   |   |   |  |
|                  |   |          | Disabled |    | 0     | Disable  |  |  |  |  |  |  |  |  |  |  |  |  |  |  |  |  |  |  |  |  |  |   |   |   |  |
|                  |   |          | Enabled  |    | 1     | Enable   |  |  |  |  |  |  |  |  |  |  |  |  |  |  |  |  |  |  |  |  |  |   |   |   |  |
| F                | RW  | TXPTRUPD |          |    |       | Enable or disable interrupt for TXPTRUPD event |  |  |  |  |  |  |  |  |  |  |  |  |  |  |  |  |  |  |  |  |  |   |   |   |  |
|                  |   |          |          |    |       | See <a href="#">EVENTS_TXPTRUPD</a>            |  |  |  |  |  |  |  |  |  |  |  |  |  |  |  |  |  |  |  |  |  |   |   |   |  |
|                  |   |          | Disabled |    | 0     | Disable  |  |  |  |  |  |  |  |  |  |  |  |  |  |  |  |  |  |  |  |  |  |   |   |   |  |
|                  |   |          | Enabled  |    | 1     | Enable   |  |  |  |  |  |  |  |  |  |  |  |  |  |  |  |  |  |  |  |  |  |   |   |   |  |

### 44.10.2 INTENSET

Address offset: 0x304

Enable interrupt

| Bit number       | 31 30 29 28 27 26 25 24 23 22 21 20 19 18 17 16 15 14 13 12 11 10 9 8 7 6 5 4 3 2 1 0 |          |          |    |       |  |  |  |  |  |  |  |  |  |  |  |  |  |  |  |  |  |  |  |  |  |  |   |   |   |  |
|------------------|---|----------|----------|----|-------|--|--|--|--|--|--|--|--|--|--|--|--|--|--|--|--|--|--|--|--|--|--|---|---|---|--|
| Id               |   |          |          |    |       |  |  |  |  |  |  |  |  |  |  |  |  |  |  |  |  |  |  |  |  |  |  | F | C | B |  |
| Reset 0x00000000 | 0             |          |          |    |       |  |  |  |  |  |  |  |  |  |  |  |  |  |  |  |  |  |  |  |  |  |  |   |   |   |  |
| Id               | RW  | Field    | Value    | Id | Value | Description                                      |  |  |  |  |  |  |  |  |  |  |  |  |  |  |  |  |  |  |  |  |  |   |   |   |  |
| B                | RW  | RXPTRUPD |          |    |       | Write '1' to Enable interrupt for RXPTRUPD event |  |  |  |  |  |  |  |  |  |  |  |  |  |  |  |  |  |  |  |  |  |   |   |   |  |
|                  |   |          |          |    |       | See <a href="#">EVENTS_RXPTRUPD</a>              |  |  |  |  |  |  |  |  |  |  |  |  |  |  |  |  |  |  |  |  |  |   |   |   |  |
|                  |   |          | Set      |    | 1     | Enable   |  |  |  |  |  |  |  |  |  |  |  |  |  |  |  |  |  |  |  |  |  |   |   |   |  |
|                  |   |          | Disabled |    | 0     | Read: Disabled                                   |  |  |  |  |  |  |  |  |  |  |  |  |  |  |  |  |  |  |  |  |  |   |   |   |  |
|                  |   |          | Enabled  |    | 1     | Read: Enabled                                    |  |  |  |  |  |  |  |  |  |  |  |  |  |  |  |  |  |  |  |  |  |   |   |   |  |
| C                | RW  | STOPPED  |          |    |       | Write '1' to Enable interrupt for STOPPED event  |  |  |  |  |  |  |  |  |  |  |  |  |  |  |  |  |  |  |  |  |  |   |   |   |  |
|                  |   |          |          |    |       | See <a href="#">EVENTS_STOPPED</a>               |  |  |  |  |  |  |  |  |  |  |  |  |  |  |  |  |  |  |  |  |  |   |   |   |  |
|                  |   |          | Set      |    | 1     | Enable   |  |  |  |  |  |  |  |  |  |  |  |  |  |  |  |  |  |  |  |  |  |   |   |   |  |
|                  |   |          | Disabled |    | 0     | Read: Disabled                                   |  |  |  |  |  |  |  |  |  |  |  |  |  |  |  |  |  |  |  |  |  |   |   |   |  |
|                  |   |          | Enabled  |    | 1     | Read: Enabled                                    |  |  |  |  |  |  |  |  |  |  |  |  |  |  |  |  |  |  |  |  |  |   |   |   |  |
| F                | RW  | TXPTRUPD |          |    |       | Write '1' to Enable interrupt for TXPTRUPD event |  |  |  |  |  |  |  |  |  |  |  |  |  |  |  |  |  |  |  |  |  |   |   |   |  |
|                  |   |          |          |    |       | See <a href="#">EVENTS_TXPTRUPD</a>              |  |  |  |  |  |  |  |  |  |  |  |  |  |  |  |  |  |  |  |  |  |   |   |   |  |
|                  |   |          | Set      |    | 1     | Enable   |  |  |  |  |  |  |  |  |  |  |  |  |  |  |  |  |  |  |  |  |  |   |   |   |  |
|                  |   |          | Disabled |    | 0     | Read: Disabled                                   |  |  |  |  |  |  |  |  |  |  |  |  |  |  |  |  |  |  |  |  |  |   |   |   |  |
|                  |   |          | Enabled  |    | 1     | Read: Enabled                                    |  |  |  |  |  |  |  |  |  |  |  |  |  |  |  |  |  |  |  |  |  |   |   |   |  |

### 44.10.3 INTENCLR

Address offset: 0x308

Disable interrupt

| Bit number       | 31 30 29 28 27 26 25 24 23 22 21 20 19 18 17 16 15 14 13 12 11 10 9 8 7 6 5 4 3 2 1 0 |          |          |    |       |   |  |  |  |  |  |  |  |  |  |  |  |  |  |  |  |  |  |  |  |  |  |   |   |   |  |
|------------------|---|----------|----------|----|-------|---|--|--|--|--|--|--|--|--|--|--|--|--|--|--|--|--|--|--|--|--|--|---|---|---|--|
| Id               |   |          |          |    |       |   |  |  |  |  |  |  |  |  |  |  |  |  |  |  |  |  |  |  |  |  |  | F | C | B |  |
| Reset 0x00000000 | 0             |          |          |    |       |   |  |  |  |  |  |  |  |  |  |  |  |  |  |  |  |  |  |  |  |  |  |   |   |   |  |
| Id               | RW  | Field    | Value    | Id | Value | Description                                       |  |  |  |  |  |  |  |  |  |  |  |  |  |  |  |  |  |  |  |  |  |   |   |   |  |
| B                | RW  | RXPTRUPD |          |    |       | Write '1' to Disable interrupt for RXPTRUPD event |  |  |  |  |  |  |  |  |  |  |  |  |  |  |  |  |  |  |  |  |  |   |   |   |  |
|                  |   |          |          |    |       | See <a href="#">EVENTS_RXPTRUPD</a>               |  |  |  |  |  |  |  |  |  |  |  |  |  |  |  |  |  |  |  |  |  |   |   |   |  |
|                  |   |          | Clear    |    | 1     | Disable   |  |  |  |  |  |  |  |  |  |  |  |  |  |  |  |  |  |  |  |  |  |   |   |   |  |
|                  |   |          | Disabled |    | 0     | Read: Disabled                                    |  |  |  |  |  |  |  |  |  |  |  |  |  |  |  |  |  |  |  |  |  |   |   |   |  |
|                  |   |          | Enabled  |    | 1     | Read: Enabled                                     |  |  |  |  |  |  |  |  |  |  |  |  |  |  |  |  |  |  |  |  |  |   |   |   |  |
| C                | RW  | STOPPED  |          |    |       | Write '1' to Disable interrupt for STOPPED event  |  |  |  |  |  |  |  |  |  |  |  |  |  |  |  |  |  |  |  |  |  |   |   |   |  |

| Bit number       | 31 30 29 28 27 26 25 24 23 22 21 20 19 18 17 16 15 14 13 12 11 10 9 8 7 6 5 4 3 2 1 0 |          |          |    |       |   |  |  |  |  |  |  |  |  |  |  |  |  |  |  |  |  |  |  |  |  |  |  |   |   |   |
|------------------|---|----------|----------|----|-------|---|--|--|--|--|--|--|--|--|--|--|--|--|--|--|--|--|--|--|--|--|--|--|---|---|---|
| Id               |   |          |          |    |       |   |  |  |  |  |  |  |  |  |  |  |  |  |  |  |  |  |  |  |  |  |  |  | F | C | B |
| Reset 0x00000000 | 0             |          |          |    |       |   |  |  |  |  |  |  |  |  |  |  |  |  |  |  |  |  |  |  |  |  |  |  |   |   |   |
| Id               | RW  | Field    | Value    | Id | Value | Description                                       |  |  |  |  |  |  |  |  |  |  |  |  |  |  |  |  |  |  |  |  |  |  |   |   |   |
|                  |   |          |          |    |       | See <a href="#">EVENTS_STOPPED</a>                |  |  |  |  |  |  |  |  |  |  |  |  |  |  |  |  |  |  |  |  |  |  |   |   |   |
|                  |   |          | Clear    |    | 1     | Disable   |  |  |  |  |  |  |  |  |  |  |  |  |  |  |  |  |  |  |  |  |  |  |   |   |   |
|                  |   |          | Disabled |    | 0     | Read: Disabled                                    |  |  |  |  |  |  |  |  |  |  |  |  |  |  |  |  |  |  |  |  |  |  |   |   |   |
|                  |   |          | Enabled  |    | 1     | Read: Enabled                                     |  |  |  |  |  |  |  |  |  |  |  |  |  |  |  |  |  |  |  |  |  |  |   |   |   |
| F                | RW  | TXPTRUPD |          |    |       | Write '1' to Disable interrupt for TXPTRUPD event |  |  |  |  |  |  |  |  |  |  |  |  |  |  |  |  |  |  |  |  |  |  |   |   |   |
|                  |   |          |          |    |       | See <a href="#">EVENTS_TXPTRUPD</a>               |  |  |  |  |  |  |  |  |  |  |  |  |  |  |  |  |  |  |  |  |  |  |   |   |   |
|                  |   |          | Clear    |    | 1     | Disable   |  |  |  |  |  |  |  |  |  |  |  |  |  |  |  |  |  |  |  |  |  |  |   |   |   |
|                  |   |          | Disabled |    | 0     | Read: Disabled                                    |  |  |  |  |  |  |  |  |  |  |  |  |  |  |  |  |  |  |  |  |  |  |   |   |   |
|                  |   |          | Enabled  |    | 1     | Read: Enabled                                     |  |  |  |  |  |  |  |  |  |  |  |  |  |  |  |  |  |  |  |  |  |  |   |   |   |

#### 44.10.4 ENABLE

Address offset: 0x500

Enable I2S module.

| Bit number       | 31 30 29 28 27 26 25 24 23 22 21 20 19 18 17 16 15 14 13 12 11 10 9 8 7 6 5 4 3 2 1 0 |        |          |    |       |                    |  |  |  |  |  |  |  |  |  |  |  |  |  |  |  |  |  |  |  |  |  |  |   |  |  |
|------------------|---|--------|----------|----|-------|--------------------|--|--|--|--|--|--|--|--|--|--|--|--|--|--|--|--|--|--|--|--|--|--|---|--|--|
| Id               |   |        |          |    |       |                    |  |  |  |  |  |  |  |  |  |  |  |  |  |  |  |  |  |  |  |  |  |  | A |  |  |
| Reset 0x00000000 | 0             |        |          |    |       |                    |  |  |  |  |  |  |  |  |  |  |  |  |  |  |  |  |  |  |  |  |  |  |   |  |  |
| Id               | RW  | Field  | Value    | Id | Value | Description        |  |  |  |  |  |  |  |  |  |  |  |  |  |  |  |  |  |  |  |  |  |  |   |  |  |
| A                | RW  | ENABLE |          |    |       | Enable I2S module. |  |  |  |  |  |  |  |  |  |  |  |  |  |  |  |  |  |  |  |  |  |  |   |  |  |
|                  |   |        | Disabled |    | 0     | Disable            |  |  |  |  |  |  |  |  |  |  |  |  |  |  |  |  |  |  |  |  |  |  |   |  |  |
|                  |   |        | Enabled  |    | 1     | Enable             |  |  |  |  |  |  |  |  |  |  |  |  |  |  |  |  |  |  |  |  |  |  |   |  |  |

#### 44.10.5 CONFIG.MODE

Address offset: 0x504

I2S mode.

| Bit number       | 31 30 29 28 27 26 25 24 23 22 21 20 19 18 17 16 15 14 13 12 11 10 9 8 7 6 5 4 3 2 1 0 |       |        |    |       |  |  |  |  |  |  |  |  |  |  |  |  |  |  |  |  |  |  |  |  |  |  |  |   |  |  |
|------------------|---|-------|--------|----|-------|--|--|--|--|--|--|--|--|--|--|--|--|--|--|--|--|--|--|--|--|--|--|--|---|--|--|
| Id               |   |       |        |    |       |  |  |  |  |  |  |  |  |  |  |  |  |  |  |  |  |  |  |  |  |  |  |  | A |  |  |
| Reset 0x00000000 | 0             |       |        |    |       |  |  |  |  |  |  |  |  |  |  |  |  |  |  |  |  |  |  |  |  |  |  |  |   |  |  |
| Id               | RW  | Field | Value  | Id | Value | Description  |  |  |  |  |  |  |  |  |  |  |  |  |  |  |  |  |  |  |  |  |  |  |   |  |  |
| A                | RW  | MODE  |        |    |       | I2S mode.  |  |  |  |  |  |  |  |  |  |  |  |  |  |  |  |  |  |  |  |  |  |  |   |  |  |
|                  |   |       | Master |    | 0     | Master mode. SCK and LRCK generated from internal master clock (MCK) and output on pins defined by PSEL.xxx. |  |  |  |  |  |  |  |  |  |  |  |  |  |  |  |  |  |  |  |  |  |  |   |  |  |
|                  |   |       | Slave  |    | 1     | Slave mode. SCK and LRCK generated by external master and received on pins defined by PSEL.xxx               |  |  |  |  |  |  |  |  |  |  |  |  |  |  |  |  |  |  |  |  |  |  |   |  |  |

#### 44.10.6 CONFIG.RXEN

Address offset: 0x508

Reception (RX) enable.

| Bit number       | 31 30 29 28 27 26 25 24 23 22 21 20 19 18 17 16 15 14 13 12 11 10 9 8 7 6 5 4 3 2 1 0 |       |          |    |       |   |  |  |  |  |  |  |  |  |  |  |  |  |  |  |  |  |  |  |  |  |  |  |   |  |  |
|------------------|---|-------|----------|----|-------|---|--|--|--|--|--|--|--|--|--|--|--|--|--|--|--|--|--|--|--|--|--|--|---|--|--|
| Id               |   |       |          |    |       |   |  |  |  |  |  |  |  |  |  |  |  |  |  |  |  |  |  |  |  |  |  |  | A |  |  |
| Reset 0x00000000 | 0             |       |          |    |       |   |  |  |  |  |  |  |  |  |  |  |  |  |  |  |  |  |  |  |  |  |  |  |   |  |  |
| Id               | RW  | Field | Value    | Id | Value | Description   |  |  |  |  |  |  |  |  |  |  |  |  |  |  |  |  |  |  |  |  |  |  |   |  |  |
| A                | RW  | RXEN  |          |    |       | Reception (RX) enable.  |  |  |  |  |  |  |  |  |  |  |  |  |  |  |  |  |  |  |  |  |  |  |   |  |  |
|                  |   |       | Disabled |    | 0     | Reception disabled and now data will be written to the RXD.PTR address. |  |  |  |  |  |  |  |  |  |  |  |  |  |  |  |  |  |  |  |  |  |  |   |  |  |
|                  |   |       | Enabled  |    | 1     | Reception enabled.  |  |  |  |  |  |  |  |  |  |  |  |  |  |  |  |  |  |  |  |  |  |  |   |  |  |

#### 44.10.7 CONFIG.TXEN

Address offset: 0x50C



Transmission (TX) enable.

| Bit number       | 31 | 30    | 29       | 28    | 27  | 26 | 25 | 24 | 23 | 22 | 21 | 20 | 19 | 18 | 17 | 16 | 15 | 14 | 13 | 12 | 11 | 10 | 9 | 8 | 7 | 6 | 5 | 4 | 3 | 2 | 1 | 0 |   |   |
|------------------|----|-------|----------|-------|---|----|----|----|----|----|----|----|----|----|----|----|----|----|----|----|----|----|---|---|---|---|---|---|---|---|---|---|---|---|
| Id               |    |       |          |       |   |    |    |    |    |    |    |    |    |    |    |    |    |    |    |    |    |    |   |   |   |   |   |   |   |   |   | A |   |   |
| Reset 0x00000001 | 0  | 0     | 0        | 0     | 0   | 0  | 0  | 0  | 0  | 0  | 0  | 0  | 0  | 0  | 0  | 0  | 0  | 0  | 0  | 0  | 0  | 0  | 0 | 0 | 0 | 0 | 0 | 0 | 0 | 0 | 0 | 0 | 0 | 1 |
| Id               | RW | Field | Value Id | Value | Description   |    |    |    |    |    |    |    |    |    |    |    |    |    |    |    |    |    |   |   |   |   |   |   |   |   |   |   |   |   |
| A                | RW | TXEN  |          |       | Transmission (TX) enable.   |    |    |    |    |    |    |    |    |    |    |    |    |    |    |    |    |    |   |   |   |   |   |   |   |   |   |   |   |   |
|                  |    |       | Disabled | 0     | Transmission disabled and now data will be read from the RXD.TXD address. |    |    |    |    |    |    |    |    |    |    |    |    |    |    |    |    |    |   |   |   |   |   |   |   |   |   |   |   |   |
|                  |    |       | Enabled  | 1     | Transmission enabled.   |    |    |    |    |    |    |    |    |    |    |    |    |    |    |    |    |    |   |   |   |   |   |   |   |   |   |   |   |   |

### 44.10.8 CONFIG.MCKEN

Address offset: 0x510

Master clock generator enable.

| Bit number       | 31 | 30    | 29       | 28    | 27   | 26 | 25 | 24 | 23 | 22 | 21 | 20 | 19 | 18 | 17 | 16 | 15 | 14 | 13 | 12 | 11 | 10 | 9 | 8 | 7 | 6 | 5 | 4 | 3 | 2 | 1 | 0 |   |
|------------------|----|-------|----------|-------|--|----|----|----|----|----|----|----|----|----|----|----|----|----|----|----|----|----|---|---|---|---|---|---|---|---|---|---|---|
| Id               |    |       |          |       |  |    |    |    |    |    |    |    |    |    |    |    |    |    |    |    |    |    |   |   |   |   |   |   |   |   |   | A |   |
| Reset 0x00000001 | 0  | 0     | 0        | 0     | 0  | 0  | 0  | 0  | 0  | 0  | 0  | 0  | 0  | 0  | 0  | 0  | 0  | 0  | 0  | 0  | 0  | 0  | 0 | 0 | 0 | 0 | 0 | 0 | 0 | 0 | 0 | 0 | 1 |
| Id               | RW | Field | Value Id | Value | Description  |    |    |    |    |    |    |    |    |    |    |    |    |    |    |    |    |    |   |   |   |   |   |   |   |   |   |   |   |
| A                | RW | MCKEN |          |       | Master clock generator enable.   |    |    |    |    |    |    |    |    |    |    |    |    |    |    |    |    |    |   |   |   |   |   |   |   |   |   |   |   |
|                  |    |       | Disabled | 0     | Master clock generator disabled and PSEL.MCK not connected(available as GPIO). |    |    |    |    |    |    |    |    |    |    |    |    |    |    |    |    |    |   |   |   |   |   |   |   |   |   |   |   |
|                  |    |       | Enabled  | 1     | Master clock generator running and MCK output on PSEL.MCK.                     |    |    |    |    |    |    |    |    |    |    |    |    |    |    |    |    |    |   |   |   |   |   |   |   |   |   |   |   |

### 44.10.9 CONFIG.MCKFREQ

Address offset: 0x514

Master clock generator frequency.

| Bit number       | 31 | 30      | 29        | 28         | 27                                | 26 | 25 | 24 | 23 | 22 | 21 | 20 | 19 | 18 | 17 | 16 | 15 | 14 | 13 | 12 | 11 | 10 | 9 | 8 | 7 | 6 | 5 | 4 | 3 | 2 | 1 | 0 |
|------------------|----|---------|-----------|------------|-----------------------------------|----|----|----|----|----|----|----|----|----|----|----|----|----|----|----|----|----|---|---|---|---|---|---|---|---|---|---|
| Id               | A  | A       | A         | A          | A                                 | A  | A  | A  | A  | A  | A  | A  | A  | A  | A  | A  | A  | A  | A  | A  | A  | A  | A | A | A | A | A | A | A | A | A | A |
| Reset 0x20000000 | 0  | 0       | 1         | 0          | 0                                 | 0  | 0  | 0  | 0  | 0  | 0  | 0  | 0  | 0  | 0  | 0  | 0  | 0  | 0  | 0  | 0  | 0  | 0 | 0 | 0 | 0 | 0 | 0 | 0 | 0 | 0 | 0 |
| Id               | RW | Field   | Value Id  | Value      | Description                       |    |    |    |    |    |    |    |    |    |    |    |    |    |    |    |    |    |   |   |   |   |   |   |   |   |   |   |
| A                | RW | MCKFREQ |           |            | Master clock generator frequency. |    |    |    |    |    |    |    |    |    |    |    |    |    |    |    |    |    |   |   |   |   |   |   |   |   |   |   |
|                  |    |         | 32MDIV2   | 0x80000000 | 32 MHz / 2 = 16.0 MHz             |    |    |    |    |    |    |    |    |    |    |    |    |    |    |    |    |    |   |   |   |   |   |   |   |   |   |   |
|                  |    |         | 32MDIV3   | 0x50000000 | 32 MHz / 3 = 10.6666667 MHz       |    |    |    |    |    |    |    |    |    |    |    |    |    |    |    |    |    |   |   |   |   |   |   |   |   |   |   |
|                  |    |         | 32MDIV4   | 0x40000000 | 32 MHz / 4 = 8.0 MHz              |    |    |    |    |    |    |    |    |    |    |    |    |    |    |    |    |    |   |   |   |   |   |   |   |   |   |   |
|                  |    |         | 32MDIV5   | 0x30000000 | 32 MHz / 5 = 6.4 MHz              |    |    |    |    |    |    |    |    |    |    |    |    |    |    |    |    |    |   |   |   |   |   |   |   |   |   |   |
|                  |    |         | 32MDIV6   | 0x28000000 | 32 MHz / 6 = 5.3333333 MHz        |    |    |    |    |    |    |    |    |    |    |    |    |    |    |    |    |    |   |   |   |   |   |   |   |   |   |   |
|                  |    |         | 32MDIV8   | 0x20000000 | 32 MHz / 8 = 4.0 MHz              |    |    |    |    |    |    |    |    |    |    |    |    |    |    |    |    |    |   |   |   |   |   |   |   |   |   |   |
|                  |    |         | 32MDIV10  | 0x18000000 | 32 MHz / 10 = 3.2 MHz             |    |    |    |    |    |    |    |    |    |    |    |    |    |    |    |    |    |   |   |   |   |   |   |   |   |   |   |
|                  |    |         | 32MDIV11  | 0x16000000 | 32 MHz / 11 = 2.9090909 MHz       |    |    |    |    |    |    |    |    |    |    |    |    |    |    |    |    |    |   |   |   |   |   |   |   |   |   |   |
|                  |    |         | 32MDIV15  | 0x11000000 | 32 MHz / 15 = 2.1333333 MHz       |    |    |    |    |    |    |    |    |    |    |    |    |    |    |    |    |    |   |   |   |   |   |   |   |   |   |   |
|                  |    |         | 32MDIV16  | 0x10000000 | 32 MHz / 16 = 2.0 MHz             |    |    |    |    |    |    |    |    |    |    |    |    |    |    |    |    |    |   |   |   |   |   |   |   |   |   |   |
|                  |    |         | 32MDIV21  | 0x0C000000 | 32 MHz / 21 = 1.5238095           |    |    |    |    |    |    |    |    |    |    |    |    |    |    |    |    |    |   |   |   |   |   |   |   |   |   |   |
|                  |    |         | 32MDIV23  | 0x0B000000 | 32 MHz / 23 = 1.3913043 MHz       |    |    |    |    |    |    |    |    |    |    |    |    |    |    |    |    |    |   |   |   |   |   |   |   |   |   |   |
|                  |    |         | 32MDIV30  | 0x08800000 | 32 MHz / 30 = 1.0666667 MHz       |    |    |    |    |    |    |    |    |    |    |    |    |    |    |    |    |    |   |   |   |   |   |   |   |   |   |   |
|                  |    |         | 32MDIV31  | 0x08400000 | 32 MHz / 31 = 1.0322581 MHz       |    |    |    |    |    |    |    |    |    |    |    |    |    |    |    |    |    |   |   |   |   |   |   |   |   |   |   |
|                  |    |         | 32MDIV32  | 0x08000000 | 32 MHz / 32 = 1.0 MHz             |    |    |    |    |    |    |    |    |    |    |    |    |    |    |    |    |    |   |   |   |   |   |   |   |   |   |   |
|                  |    |         | 32MDIV42  | 0x06000000 | 32 MHz / 42 = 0.7619048 MHz       |    |    |    |    |    |    |    |    |    |    |    |    |    |    |    |    |    |   |   |   |   |   |   |   |   |   |   |
|                  |    |         | 32MDIV63  | 0x04100000 | 32 MHz / 63 = 0.5079365 MHz       |    |    |    |    |    |    |    |    |    |    |    |    |    |    |    |    |    |   |   |   |   |   |   |   |   |   |   |
|                  |    |         | 32MDIV125 | 0x020C0000 | 32 MHz / 125 = 0.256 MHz          |    |    |    |    |    |    |    |    |    |    |    |    |    |    |    |    |    |   |   |   |   |   |   |   |   |   |   |

### 44.10.10 CONFIG.RATIO

Address offset: 0x518

MCK / LRCK ratio.



| Bit number       | 31  | 30       | 29     | 28 | 27    | 26               | 25 | 24 | 23 | 22 | 21 | 20 | 19 | 18 | 17 | 16 | 15 | 14 | 13 | 12 | 11 | 10 | 9 | 8 | 7 | 6 | 5 | 4 | 3 | 2 | 1 | 0 |
|------------------|---|----------|--------|----|-------|------------------|----|----|----|----|----|----|----|----|----|----|----|----|----|----|----|----|---|---|---|---|---|---|---|---|---|---|
| Id               |   |          |        |    |       |                  |    |    |    |    |    |    |    |    |    |    |    |    |    |    |    |    |   |   |   |   |   |   | A | A |   |   |
| Reset 0x00000000 | 0 |          |        |    |       |                  |    |    |    |    |    |    |    |    |    |    |    |    |    |    |    |    |   |   |   |   |   |   |   |   |   |   |
| Id               | RW  | Field    | Value  | Id | Value | Description      |    |    |    |    |    |    |    |    |    |    |    |    |    |    |    |    |   |   |   |   |   |   |   |   |   |   |
| A                | RW  | CHANNELS |        |    |       | Enable channels. |    |    |    |    |    |    |    |    |    |    |    |    |    |    |    |    |   |   |   |   |   |   |   |   |   |   |
|                  |   |          | Stereo |    | 0     | Stereo.          |    |    |    |    |    |    |    |    |    |    |    |    |    |    |    |    |   |   |   |   |   |   |   |   |   |   |
|                  |   |          | Left   |    | 1     | Left only.       |    |    |    |    |    |    |    |    |    |    |    |    |    |    |    |    |   |   |   |   |   |   |   |   |   |   |
|                  |   |          | Right  |    | 2     | Right only.      |    |    |    |    |    |    |    |    |    |    |    |    |    |    |    |    |   |   |   |   |   |   |   |   |   |   |

### 44.10.15 RXD.PTR

Address offset: 0x538

Receive buffer RAM start address.

| Bit number       | 31  | 30    | 29    | 28 | 27    | 26  | 25 | 24 | 23 | 22 | 21 | 20 | 19 | 18 | 17 | 16 | 15 | 14 | 13 | 12 | 11 | 10 | 9 | 8 | 7 | 6 | 5 | 4 | 3 | 2 | 1 | 0 |
|------------------|---|-------|-------|----|-------|---|----|----|----|----|----|----|----|----|----|----|----|----|----|----|----|----|---|---|---|---|---|---|---|---|---|---|
| Id               | A     |       |       |    |       |   |    |    |    |    |    |    |    |    |    |    |    |    |    |    |    |    |   |   |   |   |   |   |   |   |   |   |
| Reset 0x00000000 | 0 |       |       |    |       |   |    |    |    |    |    |    |    |    |    |    |    |    |    |    |    |    |   |   |   |   |   |   |   |   |   |   |
| Id               | RW  | Field | Value | Id | Value | Description   |    |    |    |    |    |    |    |    |    |    |    |    |    |    |    |    |   |   |   |   |   |   |   |   |   |   |
| A                | RW  | PTR   |       |    |       | Receive buffer Data RAM start address. When receiving, words containing samples will be written to this address. This address is a word aligned Data RAM address. |    |    |    |    |    |    |    |    |    |    |    |    |    |    |    |    |   |   |   |   |   |   |   |   |   |   |

### 44.10.16 TXD.PTR

Address offset: 0x540

Transmit buffer RAM start address.

| Bit number       | 31  | 30    | 29    | 28 | 27    | 26  | 25 | 24 | 23 | 22 | 21 | 20 | 19 | 18 | 17 | 16 | 15 | 14 | 13 | 12 | 11 | 10 | 9 | 8 | 7 | 6 | 5 | 4 | 3 | 2 | 1 | 0 |
|------------------|---|-------|-------|----|-------|---|----|----|----|----|----|----|----|----|----|----|----|----|----|----|----|----|---|---|---|---|---|---|---|---|---|---|
| Id               | A     |       |       |    |       |   |    |    |    |    |    |    |    |    |    |    |    |    |    |    |    |    |   |   |   |   |   |   |   |   |   |   |
| Reset 0x00000000 | 0 |       |       |    |       |   |    |    |    |    |    |    |    |    |    |    |    |    |    |    |    |    |   |   |   |   |   |   |   |   |   |   |
| Id               | RW  | Field | Value | Id | Value | Description   |    |    |    |    |    |    |    |    |    |    |    |    |    |    |    |    |   |   |   |   |   |   |   |   |   |   |
| A                | RW  | PTR   |       |    |       | Transmit buffer Data RAM start address. When transmitting, words containing samples will be fetched from this address. This address is a word aligned Data RAM address. |    |    |    |    |    |    |    |    |    |    |    |    |    |    |    |    |   |   |   |   |   |   |   |   |   |   |

### 44.10.17 RXTXD.MAXCNT

Address offset: 0x550

Size of RXD and TXD buffers.

| Bit number       | 31  | 30     | 29    | 28 | 27    | 26   | 25 | 24 | 23 | 22 | 21 | 20 | 19 | 18 | 17 | 16 | 15 | 14 | 13 | 12 | 11 | 10 | 9 | 8 | 7 | 6 | 5 | 4 | 3 | 2 | 1 | 0 |   |   |   |   |   |   |   |   |   |   |   |   |   |   |   |   |   |   |   |   |   |   |   |   |   |   |
|------------------|---|--------|-------|----|-------|--|----|----|----|----|----|----|----|----|----|----|----|----|----|----|----|----|---|---|---|---|---|---|---|---|---|---|---|---|---|---|---|---|---|---|---|---|---|---|---|---|---|---|---|---|---|---|---|---|---|---|---|---|
| Id               |   |        |       |    |       |  |    |    |    |    |    |    |    |    |    |    |    |    |    |    |    |    |   |   |   |   |   |   | A | A | A | A | A | A | A | A | A | A | A | A | A | A | A | A | A | A | A | A | A | A | A | A | A | A | A | A | A | A |
| Reset 0x00000000 | 0 |        |       |    |       |  |    |    |    |    |    |    |    |    |    |    |    |    |    |    |    |    |   |   |   |   |   |   |   |   |   |   |   |   |   |   |   |   |   |   |   |   |   |   |   |   |   |   |   |   |   |   |   |   |   |   |   |   |
| Id               | RW  | Field  | Value | Id | Value | Description  |    |    |    |    |    |    |    |    |    |    |    |    |    |    |    |    |   |   |   |   |   |   |   |   |   |   |   |   |   |   |   |   |   |   |   |   |   |   |   |   |   |   |   |   |   |   |   |   |   |   |   |   |
| A                | RW  | MAXCNT |       |    |       | Size of RXD and TXD buffers in number of 32 bit words. |    |    |    |    |    |    |    |    |    |    |    |    |    |    |    |    |   |   |   |   |   |   |   |   |   |   |   |   |   |   |   |   |   |   |   |   |   |   |   |   |   |   |   |   |   |   |   |   |   |   |   |   |

### 44.10.18 PSEL.MCK

Address offset: 0x560

Pin select for MCK signal.

| Bit number       | 31  | 30      | 29           | 28 | 27      | 26          | 25 | 24 | 23 | 22 | 21 | 20 | 19 | 18 | 17 | 16 | 15 | 14 | 13 | 12 | 11 | 10 | 9 | 8 | 7 | 6 | 5 | 4 | 3 | 2 | 1 | 0 |   |
|------------------|---|---------|--------------|----|---------|-------------|----|----|----|----|----|----|----|----|----|----|----|----|----|----|----|----|---|---|---|---|---|---|---|---|---|---|---|
| Id               | C   |         |              |    |         |             |    |    |    |    |    |    |    |    |    |    |    |    |    |    |    |    |   |   |   |   |   |   | A | A | A | A | A |
| Reset 0xFFFFFFFF | 1 |         |              |    |         |             |    |    |    |    |    |    |    |    |    |    |    |    |    |    |    |    |   |   |   |   |   |   |   |   |   |   |   |
| Id               | RW  | Field   | Value        | Id | Value   | Description |    |    |    |    |    |    |    |    |    |    |    |    |    |    |    |    |   |   |   |   |   |   |   |   |   |   |   |
| A                | RW  | PIN     |              |    | [0..31] | Pin number  |    |    |    |    |    |    |    |    |    |    |    |    |    |    |    |    |   |   |   |   |   |   |   |   |   |   |   |
| C                | RW  | CONNECT |              |    |         | Connection  |    |    |    |    |    |    |    |    |    |    |    |    |    |    |    |    |   |   |   |   |   |   |   |   |   |   |   |
|                  |   |         | Disconnected |    | 1       | Disconnect  |    |    |    |    |    |    |    |    |    |    |    |    |    |    |    |    |   |   |   |   |   |   |   |   |   |   |   |
|                  |   |         | Connected    |    | 0       | Connect     |    |    |    |    |    |    |    |    |    |    |    |    |    |    |    |    |   |   |   |   |   |   |   |   |   |   |   |

### 44.10.19 PSEL.SCK

Address offset: 0x564

Pin select for SCK signal.

| Bit number       | 31 | 30      | 29           | 28      | 27          | 26 | 25 | 24 | 23 | 22 | 21 | 20 | 19 | 18 | 17 | 16 | 15 | 14 | 13 | 12 | 11 | 10 | 9 | 8 | 7 | 6 | 5 | 4 | 3 | 2 | 1 | 0 |
|------------------|----|---------|--------------|---------|-------------|----|----|----|----|----|----|----|----|----|----|----|----|----|----|----|----|----|---|---|---|---|---|---|---|---|---|---|
| Id               | C  |         |              |         |             |    |    |    |    |    |    |    |    |    |    |    |    |    |    |    |    |    |   |   |   |   |   |   |   |   |   |   |
| Reset 0xFFFFFFFF | 1  | 1       | 1            | 1       | 1           | 1  | 1  | 1  | 1  | 1  | 1  | 1  | 1  | 1  | 1  | 1  | 1  | 1  | 1  | 1  | 1  | 1  | 1 | 1 | 1 | 1 | 1 | 1 | 1 | 1 | 1 | 1 |
| Id               | RW | Field   | Value Id     | Value   | Description |    |    |    |    |    |    |    |    |    |    |    |    |    |    |    |    |    |   |   |   |   |   |   |   |   |   |   |
| A                | RW | PIN     |              | [0..31] | Pin number  |    |    |    |    |    |    |    |    |    |    |    |    |    |    |    |    |    |   |   |   |   |   |   |   |   |   |   |
| C                | RW | CONNECT |              |         | Connection  |    |    |    |    |    |    |    |    |    |    |    |    |    |    |    |    |    |   |   |   |   |   |   |   |   |   |   |
|                  |    |         | Disconnected | 1       | Disconnect  |    |    |    |    |    |    |    |    |    |    |    |    |    |    |    |    |    |   |   |   |   |   |   |   |   |   |   |
|                  |    |         | Connected    | 0       | Connect     |    |    |    |    |    |    |    |    |    |    |    |    |    |    |    |    |    |   |   |   |   |   |   |   |   |   |   |

### 44.10.20 PSEL.LRCK

Address offset: 0x568

Pin select for LRCK signal.

| Bit number       | 31 | 30      | 29           | 28      | 27          | 26 | 25 | 24 | 23 | 22 | 21 | 20 | 19 | 18 | 17 | 16 | 15 | 14 | 13 | 12 | 11 | 10 | 9 | 8 | 7 | 6 | 5 | 4 | 3 | 2 | 1 | 0 |
|------------------|----|---------|--------------|---------|-------------|----|----|----|----|----|----|----|----|----|----|----|----|----|----|----|----|----|---|---|---|---|---|---|---|---|---|---|
| Id               | C  |         |              |         |             |    |    |    |    |    |    |    |    |    |    |    |    |    |    |    |    |    |   |   |   |   |   |   |   |   |   |   |
| Reset 0xFFFFFFFF | 1  | 1       | 1            | 1       | 1           | 1  | 1  | 1  | 1  | 1  | 1  | 1  | 1  | 1  | 1  | 1  | 1  | 1  | 1  | 1  | 1  | 1  | 1 | 1 | 1 | 1 | 1 | 1 | 1 | 1 | 1 |   |
| Id               | RW | Field   | Value Id     | Value   | Description |    |    |    |    |    |    |    |    |    |    |    |    |    |    |    |    |    |   |   |   |   |   |   |   |   |   |   |
| A                | RW | PIN     |              | [0..31] | Pin number  |    |    |    |    |    |    |    |    |    |    |    |    |    |    |    |    |    |   |   |   |   |   |   |   |   |   |   |
| C                | RW | CONNECT |              |         | Connection  |    |    |    |    |    |    |    |    |    |    |    |    |    |    |    |    |    |   |   |   |   |   |   |   |   |   |   |
|                  |    |         | Disconnected | 1       | Disconnect  |    |    |    |    |    |    |    |    |    |    |    |    |    |    |    |    |    |   |   |   |   |   |   |   |   |   |   |
|                  |    |         | Connected    | 0       | Connect     |    |    |    |    |    |    |    |    |    |    |    |    |    |    |    |    |    |   |   |   |   |   |   |   |   |   |   |

### 44.10.21 PSEL.SDIN

Address offset: 0x56C

Pin select for SDIN signal.

| Bit number       | 31 | 30      | 29           | 28      | 27          | 26 | 25 | 24 | 23 | 22 | 21 | 20 | 19 | 18 | 17 | 16 | 15 | 14 | 13 | 12 | 11 | 10 | 9 | 8 | 7 | 6 | 5 | 4 | 3 | 2 | 1 | 0 |
|------------------|----|---------|--------------|---------|-------------|----|----|----|----|----|----|----|----|----|----|----|----|----|----|----|----|----|---|---|---|---|---|---|---|---|---|---|
| Id               | C  |         |              |         |             |    |    |    |    |    |    |    |    |    |    |    |    |    |    |    |    |    |   |   |   |   |   |   |   |   |   |   |
| Reset 0xFFFFFFFF | 1  | 1       | 1            | 1       | 1           | 1  | 1  | 1  | 1  | 1  | 1  | 1  | 1  | 1  | 1  | 1  | 1  | 1  | 1  | 1  | 1  | 1  | 1 | 1 | 1 | 1 | 1 | 1 | 1 | 1 | 1 |   |
| Id               | RW | Field   | Value Id     | Value   | Description |    |    |    |    |    |    |    |    |    |    |    |    |    |    |    |    |    |   |   |   |   |   |   |   |   |   |   |
| A                | RW | PIN     |              | [0..31] | Pin number  |    |    |    |    |    |    |    |    |    |    |    |    |    |    |    |    |    |   |   |   |   |   |   |   |   |   |   |
| C                | RW | CONNECT |              |         | Connection  |    |    |    |    |    |    |    |    |    |    |    |    |    |    |    |    |    |   |   |   |   |   |   |   |   |   |   |
|                  |    |         | Disconnected | 1       | Disconnect  |    |    |    |    |    |    |    |    |    |    |    |    |    |    |    |    |    |   |   |   |   |   |   |   |   |   |   |
|                  |    |         | Connected    | 0       | Connect     |    |    |    |    |    |    |    |    |    |    |    |    |    |    |    |    |    |   |   |   |   |   |   |   |   |   |   |

### 44.10.22 PSEL.SDOUT

Address offset: 0x570

Pin select for SDOOUT signal.

| Bit number       | 31 | 30      | 29           | 28      | 27          | 26 | 25 | 24 | 23 | 22 | 21 | 20 | 19 | 18 | 17 | 16 | 15 | 14 | 13 | 12 | 11 | 10 | 9 | 8 | 7 | 6 | 5 | 4 | 3 | 2 | 1 | 0 |
|------------------|----|---------|--------------|---------|-------------|----|----|----|----|----|----|----|----|----|----|----|----|----|----|----|----|----|---|---|---|---|---|---|---|---|---|---|
| Id               | C  |         |              |         |             |    |    |    |    |    |    |    |    |    |    |    |    |    |    |    |    |    |   |   |   |   |   |   |   |   |   |   |
| Reset 0xFFFFFFFF | 1  | 1       | 1            | 1       | 1           | 1  | 1  | 1  | 1  | 1  | 1  | 1  | 1  | 1  | 1  | 1  | 1  | 1  | 1  | 1  | 1  | 1  | 1 | 1 | 1 | 1 | 1 | 1 | 1 | 1 | 1 |   |
| Id               | RW | Field   | Value Id     | Value   | Description |    |    |    |    |    |    |    |    |    |    |    |    |    |    |    |    |    |   |   |   |   |   |   |   |   |   |   |
| A                | RW | PIN     |              | [0..31] | Pin number  |    |    |    |    |    |    |    |    |    |    |    |    |    |    |    |    |    |   |   |   |   |   |   |   |   |   |   |
| C                | RW | CONNECT |              |         | Connection  |    |    |    |    |    |    |    |    |    |    |    |    |    |    |    |    |    |   |   |   |   |   |   |   |   |   |   |
|                  |    |         | Disconnected | 1       | Disconnect  |    |    |    |    |    |    |    |    |    |    |    |    |    |    |    |    |    |   |   |   |   |   |   |   |   |   |   |
|                  |    |         | Connected    | 0       | Connect     |    |    |    |    |    |    |    |    |    |    |    |    |    |    |    |    |    |   |   |   |   |   |   |   |   |   |   |

## 44.11 Electrical specification

### 44.11.1 I2S timing specification

| Symbol          | Description                        | Min. | Typ. | Max. | Units |
|-----------------|------------------------------------|------|------|------|-------|
| $t_{S\_SDIN}$   | SDIN setup time before SCK rising  | 20   |      |      | ns    |
| $t_{H\_SDIN}$   | SDIN hold time after SCK rising    | 15   |      |      | ns    |
| $t_{S\_SDOUT}$  | SDOUT setup time after SCK falling | 40   |      |      | ns    |
| $t_{H\_SDOUT}$  | SDOUT hold time before SCK falling | 6    |      |      | ns    |
| $t_{SCK\_LRCK}$ | SCLK falling to LRCK edge          | -5   | 0    | 5    | ns    |
| $f_{MCK}$       | MCK frequency                      |      |      | 4000 | kHz   |
| $f_{LRCK}$      | LRCK frequency                     |      |      | 48   | kHz   |
| $f_{SCK}$       | SCK frequency                      |      |      | 2000 | kHz   |
| $DC_{CK}$       | Clock duty cycle (MCK, LRCK, SCK)  | 45   |      | 55   | %     |

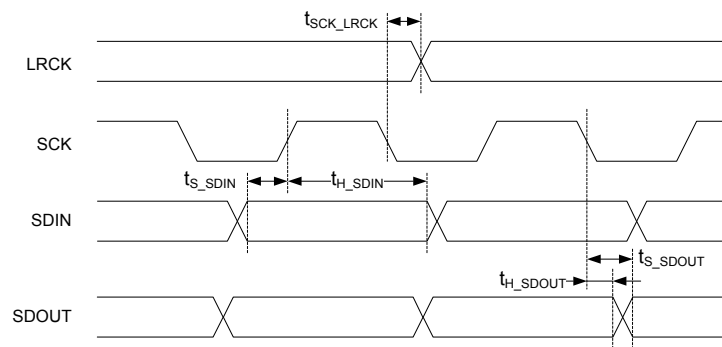


Figure 140: I2S timing diagram

## 45 MWU — Memory watch unit

The Memory watch unit (MWU) can be used to generate events when a memory region is accessed by the CPU. The MWU can be configured to trigger events for access to Data RAM and Peripheral memory segments. The MWU allows an application developer to generate memory access events during development for debugging or during production execution for failure detection and recovery.

Listed here are the main features for MWU:

- Six memory regions, four user-configurable and two fixed regions in peripheral address space
- Flexible configuration of regions with START and END addresses
- Generate events on CPU read and/or write to a defined region of Data RAM or peripheral memory address space
- Programmable maskable or non-maskable (NMI) interrupt on events
- Peripheral interfaces can be watched for read and write access using subregions of the two fixed memory regions

**Table 110: Memory regions**

| Memory region | START address | END address  |
|---------------|---------------|--------------|
| REGION[0..3]  | Configurable  | Configurable |
| PREGION[0]    | 0x40000000    | 0x4001FFFF   |
| PREGION[1]    | 0x40020000    | 0x4003FFFF   |

Each MWU region is defined by a start address and an end address, configured by the START and END registers respectively. These addresses are byte aligned and inclusive. The END register value has to be greater or equal to the START register value. Each region is associated with a pair of events that indicate that either a write access or a read access from the CPU has been detected inside the region.

For regions containing subregions (see below), a set of status registers PERREGION[0..1].SUBSTATWA and PERREGION[0..1].SUBSTATRA indicate which subregion(s) caused the EVENT\_PREGION[0..1].WA and EVENT\_PREGION[0..1].RA respectively.

The MWU is only able to detect memory accesses in the Data RAM and Peripheral memory segments from the CPU, see [Memory](#) on page 23 for more information about the different memory segments. EasyDMA accesses are not monitored by the MWU. The MWU requires two HCLK cycles to detect and generate the event.

The peripheral regions, PREGION[0..1], are divided into 32 equally sized subregions, SR[0..31]. All subregions are excluded in the main region by default, and any can be included by specifying them in the SUBS register. When a subregion is excluded from the main region, the memory watch mechanism will not trigger any events when that subregion is accessed.

Subregions in PREGION[0..1] cannot be individually configured for read or write access watch. Watch configuration is only possible for a region as a whole. The PRGNiRA and PRGNiWA (i=0..1) fields in the REGIONEN register control watching read and write access.

REGION[0..3] can be individually enabled for read and/or write access watching through their respective RGNiRA and RGNiWA (i=0..3) fields in the REGIONEN register.

REGIONENSET and REGIONENCLR allow respectively enabling and disabling one or multiple REGIONs or PREGIONs watching in a single write access.

### 45.1 Registers

**Table 111: Instances**

| Base address | Peripheral | Instance | Description       | Configuration |
|--------------|------------|----------|-------------------|---------------|
| 0x40020000   | MWU        | MWU      | Memory Watch Unit |               |

**Table 112: Register Overview**

| Register                     | Offset | Description   |
|------------------------------|--------|---|
| EVENTS_REGION[0].WA          | 0x100  | Write access to region 0 detected   |
| EVENTS_REGION[0].RA          | 0x104  | Read access to region 0 detected  |
| EVENTS_REGION[1].WA          | 0x108  | Write access to region 1 detected   |
| EVENTS_REGION[1].RA          | 0x10C  | Read access to region 1 detected  |
| EVENTS_REGION[2].WA          | 0x110  | Write access to region 2 detected   |
| EVENTS_REGION[2].RA          | 0x114  | Read access to region 2 detected  |
| EVENTS_REGION[3].WA          | 0x118  | Write access to region 3 detected   |
| EVENTS_REGION[3].RA          | 0x11C  | Read access to region 3 detected  |
| EVENTS_PREGION[0].WA         | 0x160  | Write access to peripheral region 0 detected  |
| EVENTS_PREGION[0].RA         | 0x164  | Read access to peripheral region 0 detected   |
| EVENTS_PREGION[1].WA         | 0x168  | Write access to peripheral region 1 detected  |
| EVENTS_PREGION[1].RA         | 0x16C  | Read access to peripheral region 1 detected   |
| <i>INTEN</i>                 | 0x300  | Enable or disable interrupt   |
| <i>INTENSET</i>              | 0x304  | Enable interrupt  |
| <i>INTENCLR</i>              | 0x308  | Disable interrupt   |
| <i>NMIEN</i>                 | 0x320  | Enable or disable non-maskable interrupt  |
| <i>NMIENSET</i>              | 0x324  | Enable non-maskable interrupt   |
| <i>NMIENCLR</i>              | 0x328  | Disable non-maskable interrupt  |
| <i>PERREGION[0].SUBSTATI</i> | 0x400  | Source of event/interrupt in region 0, write access detected while corresponding subregion was enabled for watching |
| <i>PERREGION[0].SUBSTATI</i> | 0x404  | Source of event/interrupt in region 0, read access detected while corresponding subregion was enabled for watching  |
| <i>PERREGION[1].SUBSTATI</i> | 0x408  | Source of event/interrupt in region 1, write access detected while corresponding subregion was enabled for watching |
| <i>PERREGION[1].SUBSTATI</i> | 0x40C  | Source of event/interrupt in region 1, read access detected while corresponding subregion was enabled for watching  |
| <i>REGIONEN</i>              | 0x510  | Enable/disable regions watch  |
| <i>REGIONENSET</i>           | 0x514  | Enable regions watch  |
| <i>REGIONENCLR</i>           | 0x518  | Disable regions watch   |
| <i>REGION[0].START</i>       | 0x600  | Start address for region 0  |
| <i>REGION[0].END</i>         | 0x604  | End address of region 0   |
| <i>REGION[1].START</i>       | 0x610  | Start address for region 1  |
| <i>REGION[1].END</i>         | 0x614  | End address of region 1   |
| <i>REGION[2].START</i>       | 0x620  | Start address for region 2  |
| <i>REGION[2].END</i>         | 0x624  | End address of region 2   |
| <i>REGION[3].START</i>       | 0x630  | Start address for region 3  |
| <i>REGION[3].END</i>         | 0x634  | End address of region 3   |
| <i>PREGION[0].START</i>      | 0x6C0  | Reserved for future use   |
| <i>PREGION[0].END</i>        | 0x6C4  | Reserved for future use   |
| <i>PREGION[0].SUBS</i>       | 0x6C8  | Subregions of region 0  |
| <i>PREGION[1].START</i>      | 0x6D0  | Reserved for future use   |
| <i>PREGION[1].END</i>        | 0x6D4  | Reserved for future use   |
| <i>PREGION[1].SUBS</i>       | 0x6D8  | Subregions of region 1  |

### 45.1.1 INTEN

Address offset: 0x300

Enable or disable interrupt

| Bit number       |   |           |          |       |  |  |  |  |  |  |  |  |  |  |  |  |   |   |   |   |  |  |  |  |  |  |  |  |  |  |  |  |  |  |  |  |   |   |   |   |   |   |   |   |
|------------------|---|-----------|----------|-------|--|--|--|--|--|--|--|--|--|--|--|--|---|---|---|---|--|--|--|--|--|--|--|--|--|--|--|--|--|--|--|--|---|---|---|---|---|---|---|---|
| Id               |   |           |          |       |  |  |  |  |  |  |  |  |  |  |  |  | L | K | J | I |  |  |  |  |  |  |  |  |  |  |  |  |  |  |  |  | H | G | F | E | D | C | B | A |
| Reset 0x00000000 | 0 |           |          |       |  |  |  |  |  |  |  |  |  |  |  |  |   |   |   |   |  |  |  |  |  |  |  |  |  |  |  |  |  |  |  |  |   |   |   |   |   |   |   |   |
| Id               | RW  | Field     | Value Id | Value | Description  |  |  |  |  |  |  |  |  |  |  |  |   |   |   |   |  |  |  |  |  |  |  |  |  |  |  |  |  |  |  |  |   |   |   |   |   |   |   |   |
| A                | RW  | REGION0WA |          |       | Enable or disable interrupt for REGION[0].WA event |  |  |  |  |  |  |  |  |  |  |  |   |   |   |   |  |  |  |  |  |  |  |  |  |  |  |  |  |  |  |  |   |   |   |   |   |   |   |   |
|                  |   |           | Disabled | 0     | See <a href="#">EVENTS_REGION[0].WA</a><br>Disable |  |  |  |  |  |  |  |  |  |  |  |   |   |   |   |  |  |  |  |  |  |  |  |  |  |  |  |  |  |  |  |   |   |   |   |   |   |   |   |

| Bit number       | 31 30 29 28 27 26 25 24 23 22 21 20 19 18 17 16 15 14 13 12 11 10 9 8 7 6 5 4 3 2 1 0 |            |          |       |   |  |  |  |  |  |  |  |  |  |  |  |                 |  |  |  |  |  |  |  |  |  |  |  |  |  |  |
|------------------|---|------------|----------|-------|---|--|--|--|--|--|--|--|--|--|--|--|-----------------|--|--|--|--|--|--|--|--|--|--|--|--|--|--|
| Id               | L K J I   |            |          |       |   |  |  |  |  |  |  |  |  |  |  |  | H G F E D C B A |  |  |  |  |  |  |  |  |  |  |  |  |  |  |
| Reset 0x00000000 | 0             |            |          |       |   |  |  |  |  |  |  |  |  |  |  |  |                 |  |  |  |  |  |  |  |  |  |  |  |  |  |  |
| Id               | RW  | Field      | Value Id | Value | Description   |  |  |  |  |  |  |  |  |  |  |  |                 |  |  |  |  |  |  |  |  |  |  |  |  |  |  |
|                  |   |            | Enabled  | 1     | Enable  |  |  |  |  |  |  |  |  |  |  |  |                 |  |  |  |  |  |  |  |  |  |  |  |  |  |  |
| B                | RW  | REGION0RA  | Enabled  | 1     | Enable or disable interrupt for REGION[0].RA event<br>See <a href="#">EVENTS_REGION[0].RA</a>   |  |  |  |  |  |  |  |  |  |  |  |                 |  |  |  |  |  |  |  |  |  |  |  |  |  |  |
|                  |   |            | Disabled | 0     | Disable   |  |  |  |  |  |  |  |  |  |  |  |                 |  |  |  |  |  |  |  |  |  |  |  |  |  |  |
|                  |   |            | Enabled  | 1     | Enable  |  |  |  |  |  |  |  |  |  |  |  |                 |  |  |  |  |  |  |  |  |  |  |  |  |  |  |
| C                | RW  | REGION1WA  | Enabled  | 1     | Enable or disable interrupt for REGION[1].WA event<br>See <a href="#">EVENTS_REGION[1].WA</a>   |  |  |  |  |  |  |  |  |  |  |  |                 |  |  |  |  |  |  |  |  |  |  |  |  |  |  |
|                  |   |            | Disabled | 0     | Disable   |  |  |  |  |  |  |  |  |  |  |  |                 |  |  |  |  |  |  |  |  |  |  |  |  |  |  |
|                  |   |            | Enabled  | 1     | Enable  |  |  |  |  |  |  |  |  |  |  |  |                 |  |  |  |  |  |  |  |  |  |  |  |  |  |  |
| D                | RW  | REGION1RA  | Enabled  | 1     | Enable or disable interrupt for REGION[1].RA event<br>See <a href="#">EVENTS_REGION[1].RA</a>   |  |  |  |  |  |  |  |  |  |  |  |                 |  |  |  |  |  |  |  |  |  |  |  |  |  |  |
|                  |   |            | Disabled | 0     | Disable   |  |  |  |  |  |  |  |  |  |  |  |                 |  |  |  |  |  |  |  |  |  |  |  |  |  |  |
|                  |   |            | Enabled  | 1     | Enable  |  |  |  |  |  |  |  |  |  |  |  |                 |  |  |  |  |  |  |  |  |  |  |  |  |  |  |
| E                | RW  | REGION2WA  | Enabled  | 1     | Enable or disable interrupt for REGION[2].WA event<br>See <a href="#">EVENTS_REGION[2].WA</a>   |  |  |  |  |  |  |  |  |  |  |  |                 |  |  |  |  |  |  |  |  |  |  |  |  |  |  |
|                  |   |            | Disabled | 0     | Disable   |  |  |  |  |  |  |  |  |  |  |  |                 |  |  |  |  |  |  |  |  |  |  |  |  |  |  |
|                  |   |            | Enabled  | 1     | Enable  |  |  |  |  |  |  |  |  |  |  |  |                 |  |  |  |  |  |  |  |  |  |  |  |  |  |  |
| F                | RW  | REGION2RA  | Enabled  | 1     | Enable or disable interrupt for REGION[2].RA event<br>See <a href="#">EVENTS_REGION[2].RA</a>   |  |  |  |  |  |  |  |  |  |  |  |                 |  |  |  |  |  |  |  |  |  |  |  |  |  |  |
|                  |   |            | Disabled | 0     | Disable   |  |  |  |  |  |  |  |  |  |  |  |                 |  |  |  |  |  |  |  |  |  |  |  |  |  |  |
|                  |   |            | Enabled  | 1     | Enable  |  |  |  |  |  |  |  |  |  |  |  |                 |  |  |  |  |  |  |  |  |  |  |  |  |  |  |
| G                | RW  | REGION3WA  | Enabled  | 1     | Enable or disable interrupt for REGION[3].WA event<br>See <a href="#">EVENTS_REGION[3].WA</a>   |  |  |  |  |  |  |  |  |  |  |  |                 |  |  |  |  |  |  |  |  |  |  |  |  |  |  |
|                  |   |            | Disabled | 0     | Disable   |  |  |  |  |  |  |  |  |  |  |  |                 |  |  |  |  |  |  |  |  |  |  |  |  |  |  |
|                  |   |            | Enabled  | 1     | Enable  |  |  |  |  |  |  |  |  |  |  |  |                 |  |  |  |  |  |  |  |  |  |  |  |  |  |  |
| H                | RW  | REGION3RA  | Enabled  | 1     | Enable or disable interrupt for REGION[3].RA event<br>See <a href="#">EVENTS_REGION[3].RA</a>   |  |  |  |  |  |  |  |  |  |  |  |                 |  |  |  |  |  |  |  |  |  |  |  |  |  |  |
|                  |   |            | Disabled | 0     | Disable   |  |  |  |  |  |  |  |  |  |  |  |                 |  |  |  |  |  |  |  |  |  |  |  |  |  |  |
|                  |   |            | Enabled  | 1     | Enable  |  |  |  |  |  |  |  |  |  |  |  |                 |  |  |  |  |  |  |  |  |  |  |  |  |  |  |
| I                | RW  | PREGION0WA | Enabled  | 1     | Enable or disable interrupt for PREGION[0].WA event<br>See <a href="#">EVENTS_PREGION[0].WA</a> |  |  |  |  |  |  |  |  |  |  |  |                 |  |  |  |  |  |  |  |  |  |  |  |  |  |  |
|                  |   |            | Disabled | 0     | Disable   |  |  |  |  |  |  |  |  |  |  |  |                 |  |  |  |  |  |  |  |  |  |  |  |  |  |  |
|                  |   |            | Enabled  | 1     | Enable  |  |  |  |  |  |  |  |  |  |  |  |                 |  |  |  |  |  |  |  |  |  |  |  |  |  |  |
| J                | RW  | PREGION0RA | Enabled  | 1     | Enable or disable interrupt for PREGION[0].RA event<br>See <a href="#">EVENTS_PREGION[0].RA</a> |  |  |  |  |  |  |  |  |  |  |  |                 |  |  |  |  |  |  |  |  |  |  |  |  |  |  |
|                  |   |            | Disabled | 0     | Disable   |  |  |  |  |  |  |  |  |  |  |  |                 |  |  |  |  |  |  |  |  |  |  |  |  |  |  |
|                  |   |            | Enabled  | 1     | Enable  |  |  |  |  |  |  |  |  |  |  |  |                 |  |  |  |  |  |  |  |  |  |  |  |  |  |  |
| K                | RW  | PREGION1WA | Enabled  | 1     | Enable or disable interrupt for PREGION[1].WA event<br>See <a href="#">EVENTS_PREGION[1].WA</a> |  |  |  |  |  |  |  |  |  |  |  |                 |  |  |  |  |  |  |  |  |  |  |  |  |  |  |
|                  |   |            | Disabled | 0     | Disable   |  |  |  |  |  |  |  |  |  |  |  |                 |  |  |  |  |  |  |  |  |  |  |  |  |  |  |
|                  |   |            | Enabled  | 1     | Enable  |  |  |  |  |  |  |  |  |  |  |  |                 |  |  |  |  |  |  |  |  |  |  |  |  |  |  |
| L                | RW  | PREGION1RA | Enabled  | 1     | Enable or disable interrupt for PREGION[1].RA event<br>See <a href="#">EVENTS_PREGION[1].RA</a> |  |  |  |  |  |  |  |  |  |  |  |                 |  |  |  |  |  |  |  |  |  |  |  |  |  |  |
|                  |   |            | Disabled | 0     | Disable   |  |  |  |  |  |  |  |  |  |  |  |                 |  |  |  |  |  |  |  |  |  |  |  |  |  |  |
|                  |   |            | Enabled  | 1     | Enable  |  |  |  |  |  |  |  |  |  |  |  |                 |  |  |  |  |  |  |  |  |  |  |  |  |  |  |

### 45.1.2 INTENSET

Address offset: 0x304

Enable interrupt



|                  |    |    |    |    |    |    |    |    |    |    |    |    |    |    |    |    |    |    |    |    |    |    |   |   |   |   |   |   |   |   |   |   |   |   |   |   |   |   |   |
|------------------|----|----|----|----|----|----|----|----|----|----|----|----|----|----|----|----|----|----|----|----|----|----|---|---|---|---|---|---|---|---|---|---|---|---|---|---|---|---|---|
| Bit number       | 31 | 30 | 29 | 28 | 27 | 26 | 25 | 24 | 23 | 22 | 21 | 20 | 19 | 18 | 17 | 16 | 15 | 14 | 13 | 12 | 11 | 10 | 9 | 8 | 7 | 6 | 5 | 4 | 3 | 2 | 1 | 0 |   |   |   |   |   |   |   |
| Id               |    |    |    |    |    |    |    |    |    |    |    |    |    |    |    |    | L  | K  | J  | I  |    |    |   |   |   |   |   |   |   |   |   | H | G | F | E | D | C | B | A |
| Reset 0x00000000 | 0  | 0  | 0  | 0  | 0  | 0  | 0  | 0  | 0  | 0  | 0  | 0  | 0  | 0  | 0  | 0  | 0  | 0  | 0  | 0  | 0  | 0  | 0 | 0 | 0 | 0 | 0 | 0 | 0 | 0 | 0 | 0 | 0 | 0 |   |   |   |   |   |

| Id | RW | Field      | Value Id | Value | Description   |
|----|----|------------|----------|-------|---|
| A  | RW | REGION0WA  |          |       | Write '1' to Enable interrupt for REGION[0].WA event  |
|    |    |            |          |       | See <a href="#">EVENTS_REGION[0].WA</a>               |
|    |    |            | Set      | 1     | Enable  |
|    |    |            | Disabled | 0     | Read: Disabled  |
|    |    |            | Enabled  | 1     | Read: Enabled   |
| B  | RW | REGION0RA  |          |       | Write '1' to Enable interrupt for REGION[0].RA event  |
|    |    |            |          |       | See <a href="#">EVENTS_REGION[0].RA</a>               |
|    |    |            | Set      | 1     | Enable  |
|    |    |            | Disabled | 0     | Read: Disabled  |
|    |    |            | Enabled  | 1     | Read: Enabled   |
| C  | RW | REGION1WA  |          |       | Write '1' to Enable interrupt for REGION[1].WA event  |
|    |    |            |          |       | See <a href="#">EVENTS_REGION[1].WA</a>               |
|    |    |            | Set      | 1     | Enable  |
|    |    |            | Disabled | 0     | Read: Disabled  |
|    |    |            | Enabled  | 1     | Read: Enabled   |
| D  | RW | REGION1RA  |          |       | Write '1' to Enable interrupt for REGION[1].RA event  |
|    |    |            |          |       | See <a href="#">EVENTS_REGION[1].RA</a>               |
|    |    |            | Set      | 1     | Enable  |
|    |    |            | Disabled | 0     | Read: Disabled  |
|    |    |            | Enabled  | 1     | Read: Enabled   |
| E  | RW | REGION2WA  |          |       | Write '1' to Enable interrupt for REGION[2].WA event  |
|    |    |            |          |       | See <a href="#">EVENTS_REGION[2].WA</a>               |
|    |    |            | Set      | 1     | Enable  |
|    |    |            | Disabled | 0     | Read: Disabled  |
|    |    |            | Enabled  | 1     | Read: Enabled   |
| F  | RW | REGION2RA  |          |       | Write '1' to Enable interrupt for REGION[2].RA event  |
|    |    |            |          |       | See <a href="#">EVENTS_REGION[2].RA</a>               |
|    |    |            | Set      | 1     | Enable  |
|    |    |            | Disabled | 0     | Read: Disabled  |
|    |    |            | Enabled  | 1     | Read: Enabled   |
| G  | RW | REGION3WA  |          |       | Write '1' to Enable interrupt for REGION[3].WA event  |
|    |    |            |          |       | See <a href="#">EVENTS_REGION[3].WA</a>               |
|    |    |            | Set      | 1     | Enable  |
|    |    |            | Disabled | 0     | Read: Disabled  |
|    |    |            | Enabled  | 1     | Read: Enabled   |
| H  | RW | REGION3RA  |          |       | Write '1' to Enable interrupt for REGION[3].RA event  |
|    |    |            |          |       | See <a href="#">EVENTS_REGION[3].RA</a>               |
|    |    |            | Set      | 1     | Enable  |
|    |    |            | Disabled | 0     | Read: Disabled  |
|    |    |            | Enabled  | 1     | Read: Enabled   |
| I  | RW | PREGION0WA |          |       | Write '1' to Enable interrupt for PREGION[0].WA event |
|    |    |            |          |       | See <a href="#">EVENTS_PREGION[0].WA</a>              |
|    |    |            | Set      | 1     | Enable  |
|    |    |            | Disabled | 0     | Read: Disabled  |
|    |    |            | Enabled  | 1     | Read: Enabled   |
| J  | RW | PREGION0RA |          |       | Write '1' to Enable interrupt for PREGION[0].RA event |
|    |    |            |          |       | See <a href="#">EVENTS_PREGION[0].RA</a>              |
|    |    |            | Set      | 1     | Enable  |
|    |    |            | Disabled | 0     | Read: Disabled  |
|    |    |            | Enabled  | 1     | Read: Enabled   |
| K  | RW | PREGION1WA |          |       | Write '1' to Enable interrupt for PREGION[1].WA event |

| Bit number       | 31  | 30         | 29       | 28    | 27   | 26 | 25 | 24 | 23 | 22 | 21 | 20 | 19 | 18 | 17 | 16 | 15              | 14 | 13 | 12 | 11 | 10 | 9 | 8 | 7 | 6 | 5 | 4 | 3 | 2 | 1 | 0 |
|------------------|---|------------|----------|-------|--|----|----|----|----|----|----|----|----|----|----|----|-----------------|----|----|----|----|----|---|---|---|---|---|---|---|---|---|---|
| Id               | L K J I   |            |          |       |  |    |    |    |    |    |    |    |    |    |    |    | H G F E D C B A |    |    |    |    |    |   |   |   |   |   |   |   |   |   |   |
| Reset 0x00000000 | 0 |            |          |       |  |    |    |    |    |    |    |    |    |    |    |    |                 |    |    |    |    |    |   |   |   |   |   |   |   |   |   |   |
| Id               | RW  | Field      | Value Id | Value | Description  |    |    |    |    |    |    |    |    |    |    |    |                 |    |    |    |    |    |   |   |   |   |   |   |   |   |   |   |
|                  |   |            | Set      | 1     | Enable<br>See <a href="#">EVENTS_REGION[1].WA</a>  |    |    |    |    |    |    |    |    |    |    |    |                 |    |    |    |    |    |   |   |   |   |   |   |   |   |   |   |
|                  |   |            | Disabled | 0     | Read: Disabled   |    |    |    |    |    |    |    |    |    |    |    |                 |    |    |    |    |    |   |   |   |   |   |   |   |   |   |   |
|                  |   |            | Enabled  | 1     | Read: Enabled  |    |    |    |    |    |    |    |    |    |    |    |                 |    |    |    |    |    |   |   |   |   |   |   |   |   |   |   |
| L                | RW  | PREGION1RA |          |       | Write '1' to Enable interrupt for PREGION[1].RA event<br>See <a href="#">EVENTS_REGION[1].RA</a> |    |    |    |    |    |    |    |    |    |    |    |                 |    |    |    |    |    |   |   |   |   |   |   |   |   |   |   |
|                  |   |            | Set      | 1     | Enable   |    |    |    |    |    |    |    |    |    |    |    |                 |    |    |    |    |    |   |   |   |   |   |   |   |   |   |   |
|                  |   |            | Disabled | 0     | Read: Disabled   |    |    |    |    |    |    |    |    |    |    |    |                 |    |    |    |    |    |   |   |   |   |   |   |   |   |   |   |
|                  |   |            | Enabled  | 1     | Read: Enabled  |    |    |    |    |    |    |    |    |    |    |    |                 |    |    |    |    |    |   |   |   |   |   |   |   |   |   |   |

### 45.1.3 INTENCLR

Address offset: 0x308

Disable interrupt

| Bit number       | 31  | 30        | 29       | 28    | 27   | 26 | 25 | 24 | 23 | 22 | 21 | 20 | 19 | 18 | 17 | 16 | 15              | 14 | 13 | 12 | 11 | 10 | 9 | 8 | 7 | 6 | 5 | 4 | 3 | 2 | 1 | 0 |
|------------------|---|-----------|----------|-------|--|----|----|----|----|----|----|----|----|----|----|----|-----------------|----|----|----|----|----|---|---|---|---|---|---|---|---|---|---|
| Id               | L K J I   |           |          |       |  |    |    |    |    |    |    |    |    |    |    |    | H G F E D C B A |    |    |    |    |    |   |   |   |   |   |   |   |   |   |   |
| Reset 0x00000000 | 0 |           |          |       |  |    |    |    |    |    |    |    |    |    |    |    |                 |    |    |    |    |    |   |   |   |   |   |   |   |   |   |   |
| Id               | RW  | Field     | Value Id | Value | Description  |    |    |    |    |    |    |    |    |    |    |    |                 |    |    |    |    |    |   |   |   |   |   |   |   |   |   |   |
| A                | RW  | REGION0WA |          |       | Write '1' to Disable interrupt for REGION[0].WA event<br>See <a href="#">EVENTS_REGION[0].WA</a> |    |    |    |    |    |    |    |    |    |    |    |                 |    |    |    |    |    |   |   |   |   |   |   |   |   |   |   |
|                  |   |           | Clear    | 1     | Disable  |    |    |    |    |    |    |    |    |    |    |    |                 |    |    |    |    |    |   |   |   |   |   |   |   |   |   |   |
|                  |   |           | Disabled | 0     | Read: Disabled   |    |    |    |    |    |    |    |    |    |    |    |                 |    |    |    |    |    |   |   |   |   |   |   |   |   |   |   |
|                  |   |           | Enabled  | 1     | Read: Enabled  |    |    |    |    |    |    |    |    |    |    |    |                 |    |    |    |    |    |   |   |   |   |   |   |   |   |   |   |
| B                | RW  | REGION0RA |          |       | Write '1' to Disable interrupt for REGION[0].RA event<br>See <a href="#">EVENTS_REGION[0].RA</a> |    |    |    |    |    |    |    |    |    |    |    |                 |    |    |    |    |    |   |   |   |   |   |   |   |   |   |   |
|                  |   |           | Clear    | 1     | Disable  |    |    |    |    |    |    |    |    |    |    |    |                 |    |    |    |    |    |   |   |   |   |   |   |   |   |   |   |
|                  |   |           | Disabled | 0     | Read: Disabled   |    |    |    |    |    |    |    |    |    |    |    |                 |    |    |    |    |    |   |   |   |   |   |   |   |   |   |   |
|                  |   |           | Enabled  | 1     | Read: Enabled  |    |    |    |    |    |    |    |    |    |    |    |                 |    |    |    |    |    |   |   |   |   |   |   |   |   |   |   |
| C                | RW  | REGION1WA |          |       | Write '1' to Disable interrupt for REGION[1].WA event<br>See <a href="#">EVENTS_REGION[1].WA</a> |    |    |    |    |    |    |    |    |    |    |    |                 |    |    |    |    |    |   |   |   |   |   |   |   |   |   |   |
|                  |   |           | Clear    | 1     | Disable  |    |    |    |    |    |    |    |    |    |    |    |                 |    |    |    |    |    |   |   |   |   |   |   |   |   |   |   |
|                  |   |           | Disabled | 0     | Read: Disabled   |    |    |    |    |    |    |    |    |    |    |    |                 |    |    |    |    |    |   |   |   |   |   |   |   |   |   |   |
|                  |   |           | Enabled  | 1     | Read: Enabled  |    |    |    |    |    |    |    |    |    |    |    |                 |    |    |    |    |    |   |   |   |   |   |   |   |   |   |   |
| D                | RW  | REGION1RA |          |       | Write '1' to Disable interrupt for REGION[1].RA event<br>See <a href="#">EVENTS_REGION[1].RA</a> |    |    |    |    |    |    |    |    |    |    |    |                 |    |    |    |    |    |   |   |   |   |   |   |   |   |   |   |
|                  |   |           | Clear    | 1     | Disable  |    |    |    |    |    |    |    |    |    |    |    |                 |    |    |    |    |    |   |   |   |   |   |   |   |   |   |   |
|                  |   |           | Disabled | 0     | Read: Disabled   |    |    |    |    |    |    |    |    |    |    |    |                 |    |    |    |    |    |   |   |   |   |   |   |   |   |   |   |
|                  |   |           | Enabled  | 1     | Read: Enabled  |    |    |    |    |    |    |    |    |    |    |    |                 |    |    |    |    |    |   |   |   |   |   |   |   |   |   |   |
| E                | RW  | REGION2WA |          |       | Write '1' to Disable interrupt for REGION[2].WA event<br>See <a href="#">EVENTS_REGION[2].WA</a> |    |    |    |    |    |    |    |    |    |    |    |                 |    |    |    |    |    |   |   |   |   |   |   |   |   |   |   |
|                  |   |           | Clear    | 1     | Disable  |    |    |    |    |    |    |    |    |    |    |    |                 |    |    |    |    |    |   |   |   |   |   |   |   |   |   |   |
|                  |   |           | Disabled | 0     | Read: Disabled   |    |    |    |    |    |    |    |    |    |    |    |                 |    |    |    |    |    |   |   |   |   |   |   |   |   |   |   |
|                  |   |           | Enabled  | 1     | Read: Enabled  |    |    |    |    |    |    |    |    |    |    |    |                 |    |    |    |    |    |   |   |   |   |   |   |   |   |   |   |
| F                | RW  | REGION2RA |          |       | Write '1' to Disable interrupt for REGION[2].RA event<br>See <a href="#">EVENTS_REGION[2].RA</a> |    |    |    |    |    |    |    |    |    |    |    |                 |    |    |    |    |    |   |   |   |   |   |   |   |   |   |   |
|                  |   |           | Clear    | 1     | Disable  |    |    |    |    |    |    |    |    |    |    |    |                 |    |    |    |    |    |   |   |   |   |   |   |   |   |   |   |
|                  |   |           | Disabled | 0     | Read: Disabled   |    |    |    |    |    |    |    |    |    |    |    |                 |    |    |    |    |    |   |   |   |   |   |   |   |   |   |   |
|                  |   |           | Enabled  | 1     | Read: Enabled  |    |    |    |    |    |    |    |    |    |    |    |                 |    |    |    |    |    |   |   |   |   |   |   |   |   |   |   |
| G                | RW  | REGION3WA |          |       | Write '1' to Disable interrupt for REGION[3].WA event<br>See <a href="#">EVENTS_REGION[3].WA</a> |    |    |    |    |    |    |    |    |    |    |    |                 |    |    |    |    |    |   |   |   |   |   |   |   |   |   |   |
|                  |   |           | Clear    | 1     | Disable  |    |    |    |    |    |    |    |    |    |    |    |                 |    |    |    |    |    |   |   |   |   |   |   |   |   |   |   |

| Bit number       | 31 30 29 28 27 26 25 24 23 22 21 20 19 18 17 16 15 14 13 12 11 10 9 8 7 6 5 4 3 2 1 0 |            |          |    |       |  |  |  |  |  |  |  |  |  |  |  |                 |  |  |  |  |  |  |  |  |  |  |  |  |  |  |
|------------------|---|------------|----------|----|-------|--|--|--|--|--|--|--|--|--|--|--|-----------------|--|--|--|--|--|--|--|--|--|--|--|--|--|--|
| Id               | L K J I   |            |          |    |       |  |  |  |  |  |  |  |  |  |  |  | H G F E D C B A |  |  |  |  |  |  |  |  |  |  |  |  |  |  |
| Reset 0x00000000 | 0             |            |          |    |       |  |  |  |  |  |  |  |  |  |  |  |                 |  |  |  |  |  |  |  |  |  |  |  |  |  |  |
| Id               | RW  | Field      | Value    | Id | Value | Description  |  |  |  |  |  |  |  |  |  |  |                 |  |  |  |  |  |  |  |  |  |  |  |  |  |  |
|                  |   |            | Disabled |    | 0     | Read: Disabled   |  |  |  |  |  |  |  |  |  |  |                 |  |  |  |  |  |  |  |  |  |  |  |  |  |  |
|                  |   |            | Enabled  |    | 1     | Read: Enabled  |  |  |  |  |  |  |  |  |  |  |                 |  |  |  |  |  |  |  |  |  |  |  |  |  |  |
| H                | RW  | REGION3RA  |          |    |       | Write '1' to Disable interrupt for REGION[3].RA event<br>See <a href="#">EVENTS_REGION[3].RA</a>   |  |  |  |  |  |  |  |  |  |  |                 |  |  |  |  |  |  |  |  |  |  |  |  |  |  |
|                  |   |            | Clear    |    | 1     | Disable  |  |  |  |  |  |  |  |  |  |  |                 |  |  |  |  |  |  |  |  |  |  |  |  |  |  |
|                  |   |            | Disabled |    | 0     | Read: Disabled   |  |  |  |  |  |  |  |  |  |  |                 |  |  |  |  |  |  |  |  |  |  |  |  |  |  |
|                  |   |            | Enabled  |    | 1     | Read: Enabled  |  |  |  |  |  |  |  |  |  |  |                 |  |  |  |  |  |  |  |  |  |  |  |  |  |  |
| I                | RW  | PREGION0WA |          |    |       | Write '1' to Disable interrupt for PREGION[0].WA event<br>See <a href="#">EVENTS_PREGION[0].WA</a> |  |  |  |  |  |  |  |  |  |  |                 |  |  |  |  |  |  |  |  |  |  |  |  |  |  |
|                  |   |            | Clear    |    | 1     | Disable  |  |  |  |  |  |  |  |  |  |  |                 |  |  |  |  |  |  |  |  |  |  |  |  |  |  |
|                  |   |            | Disabled |    | 0     | Read: Disabled   |  |  |  |  |  |  |  |  |  |  |                 |  |  |  |  |  |  |  |  |  |  |  |  |  |  |
|                  |   |            | Enabled  |    | 1     | Read: Enabled  |  |  |  |  |  |  |  |  |  |  |                 |  |  |  |  |  |  |  |  |  |  |  |  |  |  |
| J                | RW  | PREGION0RA |          |    |       | Write '1' to Disable interrupt for PREGION[0].RA event<br>See <a href="#">EVENTS_PREGION[0].RA</a> |  |  |  |  |  |  |  |  |  |  |                 |  |  |  |  |  |  |  |  |  |  |  |  |  |  |
|                  |   |            | Clear    |    | 1     | Disable  |  |  |  |  |  |  |  |  |  |  |                 |  |  |  |  |  |  |  |  |  |  |  |  |  |  |
|                  |   |            | Disabled |    | 0     | Read: Disabled   |  |  |  |  |  |  |  |  |  |  |                 |  |  |  |  |  |  |  |  |  |  |  |  |  |  |
|                  |   |            | Enabled  |    | 1     | Read: Enabled  |  |  |  |  |  |  |  |  |  |  |                 |  |  |  |  |  |  |  |  |  |  |  |  |  |  |
| K                | RW  | PREGION1WA |          |    |       | Write '1' to Disable interrupt for PREGION[1].WA event<br>See <a href="#">EVENTS_PREGION[1].WA</a> |  |  |  |  |  |  |  |  |  |  |                 |  |  |  |  |  |  |  |  |  |  |  |  |  |  |
|                  |   |            | Clear    |    | 1     | Disable  |  |  |  |  |  |  |  |  |  |  |                 |  |  |  |  |  |  |  |  |  |  |  |  |  |  |
|                  |   |            | Disabled |    | 0     | Read: Disabled   |  |  |  |  |  |  |  |  |  |  |                 |  |  |  |  |  |  |  |  |  |  |  |  |  |  |
|                  |   |            | Enabled  |    | 1     | Read: Enabled  |  |  |  |  |  |  |  |  |  |  |                 |  |  |  |  |  |  |  |  |  |  |  |  |  |  |
| L                | RW  | PREGION1RA |          |    |       | Write '1' to Disable interrupt for PREGION[1].RA event<br>See <a href="#">EVENTS_PREGION[1].RA</a> |  |  |  |  |  |  |  |  |  |  |                 |  |  |  |  |  |  |  |  |  |  |  |  |  |  |
|                  |   |            | Clear    |    | 1     | Disable  |  |  |  |  |  |  |  |  |  |  |                 |  |  |  |  |  |  |  |  |  |  |  |  |  |  |
|                  |   |            | Disabled |    | 0     | Read: Disabled   |  |  |  |  |  |  |  |  |  |  |                 |  |  |  |  |  |  |  |  |  |  |  |  |  |  |
|                  |   |            | Enabled  |    | 1     | Read: Enabled  |  |  |  |  |  |  |  |  |  |  |                 |  |  |  |  |  |  |  |  |  |  |  |  |  |  |

### 45.1.4 NMIEN

Address offset: 0x320

Enable or disable non-maskable interrupt

| Bit number       | 31 30 29 28 27 26 25 24 23 22 21 20 19 18 17 16 15 14 13 12 11 10 9 8 7 6 5 4 3 2 1 0 |           |          |    |       |  |  |  |  |  |  |  |  |  |  |  |                 |  |  |  |  |  |  |  |  |  |  |  |  |  |  |
|------------------|---|-----------|----------|----|-------|--|--|--|--|--|--|--|--|--|--|--|-----------------|--|--|--|--|--|--|--|--|--|--|--|--|--|--|
| Id               | L K J I   |           |          |    |       |  |  |  |  |  |  |  |  |  |  |  | H G F E D C B A |  |  |  |  |  |  |  |  |  |  |  |  |  |  |
| Reset 0x00000000 | 0             |           |          |    |       |  |  |  |  |  |  |  |  |  |  |  |                 |  |  |  |  |  |  |  |  |  |  |  |  |  |  |
| Id               | RW  | Field     | Value    | Id | Value | Description  |  |  |  |  |  |  |  |  |  |  |                 |  |  |  |  |  |  |  |  |  |  |  |  |  |  |
| A                | RW  | REGION0WA |          |    |       | Enable or disable non-maskable interrupt for REGION[0].WA event<br>See <a href="#">EVENTS_REGION[0].WA</a> |  |  |  |  |  |  |  |  |  |  |                 |  |  |  |  |  |  |  |  |  |  |  |  |  |  |
|                  |   |           | Disabled |    | 0     | Disable  |  |  |  |  |  |  |  |  |  |  |                 |  |  |  |  |  |  |  |  |  |  |  |  |  |  |
|                  |   |           | Enabled  |    | 1     | Enable   |  |  |  |  |  |  |  |  |  |  |                 |  |  |  |  |  |  |  |  |  |  |  |  |  |  |
| B                | RW  | REGION0RA |          |    |       | Enable or disable non-maskable interrupt for REGION[0].RA event<br>See <a href="#">EVENTS_REGION[0].RA</a> |  |  |  |  |  |  |  |  |  |  |                 |  |  |  |  |  |  |  |  |  |  |  |  |  |  |
|                  |   |           | Disabled |    | 0     | Disable  |  |  |  |  |  |  |  |  |  |  |                 |  |  |  |  |  |  |  |  |  |  |  |  |  |  |
|                  |   |           | Enabled  |    | 1     | Enable   |  |  |  |  |  |  |  |  |  |  |                 |  |  |  |  |  |  |  |  |  |  |  |  |  |  |
| C                | RW  | REGION1WA |          |    |       | Enable or disable non-maskable interrupt for REGION[1].WA event<br>See <a href="#">EVENTS_REGION[1].WA</a> |  |  |  |  |  |  |  |  |  |  |                 |  |  |  |  |  |  |  |  |  |  |  |  |  |  |
|                  |   |           | Disabled |    | 0     | Disable  |  |  |  |  |  |  |  |  |  |  |                 |  |  |  |  |  |  |  |  |  |  |  |  |  |  |
|                  |   |           | Enabled  |    | 1     | Enable   |  |  |  |  |  |  |  |  |  |  |                 |  |  |  |  |  |  |  |  |  |  |  |  |  |  |

| Bit number       |   |            |          |       |  |  |  |  |  |  |  |  |  |  |  |  |  |  |  |  |  |  |  |                 |  |  |  |  |  |  |  |
|------------------|---|------------|----------|-------|--|--|--|--|--|--|--|--|--|--|--|--|--|--|--|--|--|--|--|-----------------|--|--|--|--|--|--|--|
| Id               | L K J I   |            |          |       |  |  |  |  |  |  |  |  |  |  |  |  |  |  |  |  |  |  |  | H G F E D C B A |  |  |  |  |  |  |  |
| Reset 0x00000000 | 0 |            |          |       |  |  |  |  |  |  |  |  |  |  |  |  |  |  |  |  |  |  |  |                 |  |  |  |  |  |  |  |
| Id               | RW  | Field      | Value Id | Value | Description  |  |  |  |  |  |  |  |  |  |  |  |  |  |  |  |  |  |  |                 |  |  |  |  |  |  |  |
| D                | RW  | REGION1RA  |          |       | Enable or disable non-maskable interrupt for REGION[1].RA event<br>See <a href="#">EVENTS_REGION[1].RA</a>   |  |  |  |  |  |  |  |  |  |  |  |  |  |  |  |  |  |  |                 |  |  |  |  |  |  |  |
|                  |   |            | Disabled | 0     | Disable  |  |  |  |  |  |  |  |  |  |  |  |  |  |  |  |  |  |  |                 |  |  |  |  |  |  |  |
|                  |   |            | Enabled  | 1     | Enable   |  |  |  |  |  |  |  |  |  |  |  |  |  |  |  |  |  |  |                 |  |  |  |  |  |  |  |
| E                | RW  | REGION2WA  |          |       | Enable or disable non-maskable interrupt for REGION[2].WA event<br>See <a href="#">EVENTS_REGION[2].WA</a>   |  |  |  |  |  |  |  |  |  |  |  |  |  |  |  |  |  |  |                 |  |  |  |  |  |  |  |
|                  |   |            | Disabled | 0     | Disable  |  |  |  |  |  |  |  |  |  |  |  |  |  |  |  |  |  |  |                 |  |  |  |  |  |  |  |
|                  |   |            | Enabled  | 1     | Enable   |  |  |  |  |  |  |  |  |  |  |  |  |  |  |  |  |  |  |                 |  |  |  |  |  |  |  |
| F                | RW  | REGION2RA  |          |       | Enable or disable non-maskable interrupt for REGION[2].RA event<br>See <a href="#">EVENTS_REGION[2].RA</a>   |  |  |  |  |  |  |  |  |  |  |  |  |  |  |  |  |  |  |                 |  |  |  |  |  |  |  |
|                  |   |            | Disabled | 0     | Disable  |  |  |  |  |  |  |  |  |  |  |  |  |  |  |  |  |  |  |                 |  |  |  |  |  |  |  |
|                  |   |            | Enabled  | 1     | Enable   |  |  |  |  |  |  |  |  |  |  |  |  |  |  |  |  |  |  |                 |  |  |  |  |  |  |  |
| G                | RW  | REGION3WA  |          |       | Enable or disable non-maskable interrupt for REGION[3].WA event<br>See <a href="#">EVENTS_REGION[3].WA</a>   |  |  |  |  |  |  |  |  |  |  |  |  |  |  |  |  |  |  |                 |  |  |  |  |  |  |  |
|                  |   |            | Disabled | 0     | Disable  |  |  |  |  |  |  |  |  |  |  |  |  |  |  |  |  |  |  |                 |  |  |  |  |  |  |  |
|                  |   |            | Enabled  | 1     | Enable   |  |  |  |  |  |  |  |  |  |  |  |  |  |  |  |  |  |  |                 |  |  |  |  |  |  |  |
| H                | RW  | REGION3RA  |          |       | Enable or disable non-maskable interrupt for REGION[3].RA event<br>See <a href="#">EVENTS_REGION[3].RA</a>   |  |  |  |  |  |  |  |  |  |  |  |  |  |  |  |  |  |  |                 |  |  |  |  |  |  |  |
|                  |   |            | Disabled | 0     | Disable  |  |  |  |  |  |  |  |  |  |  |  |  |  |  |  |  |  |  |                 |  |  |  |  |  |  |  |
|                  |   |            | Enabled  | 1     | Enable   |  |  |  |  |  |  |  |  |  |  |  |  |  |  |  |  |  |  |                 |  |  |  |  |  |  |  |
| I                | RW  | PREGION0WA |          |       | Enable or disable non-maskable interrupt for PREGION[0].WA event<br>See <a href="#">EVENTS_PREGION[0].WA</a> |  |  |  |  |  |  |  |  |  |  |  |  |  |  |  |  |  |  |                 |  |  |  |  |  |  |  |
|                  |   |            | Disabled | 0     | Disable  |  |  |  |  |  |  |  |  |  |  |  |  |  |  |  |  |  |  |                 |  |  |  |  |  |  |  |
|                  |   |            | Enabled  | 1     | Enable   |  |  |  |  |  |  |  |  |  |  |  |  |  |  |  |  |  |  |                 |  |  |  |  |  |  |  |
| J                | RW  | PREGION0RA |          |       | Enable or disable non-maskable interrupt for PREGION[0].RA event<br>See <a href="#">EVENTS_PREGION[0].RA</a> |  |  |  |  |  |  |  |  |  |  |  |  |  |  |  |  |  |  |                 |  |  |  |  |  |  |  |
|                  |   |            | Disabled | 0     | Disable  |  |  |  |  |  |  |  |  |  |  |  |  |  |  |  |  |  |  |                 |  |  |  |  |  |  |  |
|                  |   |            | Enabled  | 1     | Enable   |  |  |  |  |  |  |  |  |  |  |  |  |  |  |  |  |  |  |                 |  |  |  |  |  |  |  |
| K                | RW  | PREGION1WA |          |       | Enable or disable non-maskable interrupt for PREGION[1].WA event<br>See <a href="#">EVENTS_PREGION[1].WA</a> |  |  |  |  |  |  |  |  |  |  |  |  |  |  |  |  |  |  |                 |  |  |  |  |  |  |  |
|                  |   |            | Disabled | 0     | Disable  |  |  |  |  |  |  |  |  |  |  |  |  |  |  |  |  |  |  |                 |  |  |  |  |  |  |  |
|                  |   |            | Enabled  | 1     | Enable   |  |  |  |  |  |  |  |  |  |  |  |  |  |  |  |  |  |  |                 |  |  |  |  |  |  |  |
| L                | RW  | PREGION1RA |          |       | Enable or disable non-maskable interrupt for PREGION[1].RA event<br>See <a href="#">EVENTS_PREGION[1].RA</a> |  |  |  |  |  |  |  |  |  |  |  |  |  |  |  |  |  |  |                 |  |  |  |  |  |  |  |
|                  |   |            | Disabled | 0     | Disable  |  |  |  |  |  |  |  |  |  |  |  |  |  |  |  |  |  |  |                 |  |  |  |  |  |  |  |
|                  |   |            | Enabled  | 1     | Enable   |  |  |  |  |  |  |  |  |  |  |  |  |  |  |  |  |  |  |                 |  |  |  |  |  |  |  |

### 45.1.5 NMIENSET

Address offset: 0x324

Enable non-maskable interrupt

|                  |    |    |    |    |    |    |    |    |    |    |    |    |    |    |    |    |    |    |    |    |    |    |   |   |   |   |   |   |   |   |   |   |   |   |   |   |   |   |   |
|------------------|----|----|----|----|----|----|----|----|----|----|----|----|----|----|----|----|----|----|----|----|----|----|---|---|---|---|---|---|---|---|---|---|---|---|---|---|---|---|---|
| Bit number       | 31 | 30 | 29 | 28 | 27 | 26 | 25 | 24 | 23 | 22 | 21 | 20 | 19 | 18 | 17 | 16 | 15 | 14 | 13 | 12 | 11 | 10 | 9 | 8 | 7 | 6 | 5 | 4 | 3 | 2 | 1 | 0 |   |   |   |   |   |   |   |
| Id               |    |    |    |    |    |    |    |    |    |    |    |    |    |    |    |    | L  | K  | J  | I  |    |    |   |   |   |   |   |   |   |   |   | H | G | F | E | D | C | B | A |
| Reset 0x00000000 | 0  | 0  | 0  | 0  | 0  | 0  | 0  | 0  | 0  | 0  | 0  | 0  | 0  | 0  | 0  | 0  | 0  | 0  | 0  | 0  | 0  | 0  | 0 | 0 | 0 | 0 | 0 | 0 | 0 | 0 | 0 | 0 | 0 | 0 |   |   |   |   |   |

| Id | RW | Field      | Value Id | Value | Description  |
|----|----|------------|----------|-------|--|
| A  | RW | REGION0WA  |          |       | Write '1' to Enable non-maskable interrupt for REGION[0].WA event<br><br>See <a href="#">EVENTS_REGION[0].WA</a>   |
|    |    |            | Set      | 1     | Enable   |
|    |    |            | Disabled | 0     | Read: Disabled   |
|    |    |            | Enabled  | 1     | Read: Enabled  |
| B  | RW | REGION0RA  |          |       | Write '1' to Enable non-maskable interrupt for REGION[0].RA event<br><br>See <a href="#">EVENTS_REGION[0].RA</a>   |
|    |    |            | Set      | 1     | Enable   |
|    |    |            | Disabled | 0     | Read: Disabled   |
|    |    |            | Enabled  | 1     | Read: Enabled  |
| C  | RW | REGION1WA  |          |       | Write '1' to Enable non-maskable interrupt for REGION[1].WA event<br><br>See <a href="#">EVENTS_REGION[1].WA</a>   |
|    |    |            | Set      | 1     | Enable   |
|    |    |            | Disabled | 0     | Read: Disabled   |
|    |    |            | Enabled  | 1     | Read: Enabled  |
| D  | RW | REGION1RA  |          |       | Write '1' to Enable non-maskable interrupt for REGION[1].RA event<br><br>See <a href="#">EVENTS_REGION[1].RA</a>   |
|    |    |            | Set      | 1     | Enable   |
|    |    |            | Disabled | 0     | Read: Disabled   |
|    |    |            | Enabled  | 1     | Read: Enabled  |
| E  | RW | REGION2WA  |          |       | Write '1' to Enable non-maskable interrupt for REGION[2].WA event<br><br>See <a href="#">EVENTS_REGION[2].WA</a>   |
|    |    |            | Set      | 1     | Enable   |
|    |    |            | Disabled | 0     | Read: Disabled   |
|    |    |            | Enabled  | 1     | Read: Enabled  |
| F  | RW | REGION2RA  |          |       | Write '1' to Enable non-maskable interrupt for REGION[2].RA event<br><br>See <a href="#">EVENTS_REGION[2].RA</a>   |
|    |    |            | Set      | 1     | Enable   |
|    |    |            | Disabled | 0     | Read: Disabled   |
|    |    |            | Enabled  | 1     | Read: Enabled  |
| G  | RW | REGION3WA  |          |       | Write '1' to Enable non-maskable interrupt for REGION[3].WA event<br><br>See <a href="#">EVENTS_REGION[3].WA</a>   |
|    |    |            | Set      | 1     | Enable   |
|    |    |            | Disabled | 0     | Read: Disabled   |
|    |    |            | Enabled  | 1     | Read: Enabled  |
| H  | RW | REGION3RA  |          |       | Write '1' to Enable non-maskable interrupt for REGION[3].RA event<br><br>See <a href="#">EVENTS_REGION[3].RA</a>   |
|    |    |            | Set      | 1     | Enable   |
|    |    |            | Disabled | 0     | Read: Disabled   |
|    |    |            | Enabled  | 1     | Read: Enabled  |
| I  | RW | PREGION0WA |          |       | Write '1' to Enable non-maskable interrupt for PREGION[0].WA event<br><br>See <a href="#">EVENTS_PREGION[0].WA</a> |

| Bit number       | 31 30 29 28 27 26 25 24 23 22 21 20 19 18 17 16 15 14 13 12 11 10 9 8 7 6 5 4 3 2 1 0 |            |          |       |  |  |  |  |  |  |  |  |  |  |  |  |                 |  |  |  |  |  |  |  |  |  |  |  |  |  |  |
|------------------|---|------------|----------|-------|--|--|--|--|--|--|--|--|--|--|--|--|-----------------|--|--|--|--|--|--|--|--|--|--|--|--|--|--|
| Id               | L K J I   |            |          |       |  |  |  |  |  |  |  |  |  |  |  |  | H G F E D C B A |  |  |  |  |  |  |  |  |  |  |  |  |  |  |
| Reset 0x00000000 | 0             |            |          |       |  |  |  |  |  |  |  |  |  |  |  |  |                 |  |  |  |  |  |  |  |  |  |  |  |  |  |  |
| Id               | RW  | Field      | Value Id | Value | Description  |  |  |  |  |  |  |  |  |  |  |  |                 |  |  |  |  |  |  |  |  |  |  |  |  |  |  |
|                  |   |            | Set      | 1     | Enable   |  |  |  |  |  |  |  |  |  |  |  |                 |  |  |  |  |  |  |  |  |  |  |  |  |  |  |
|                  |   |            | Disabled | 0     | Read: Disabled   |  |  |  |  |  |  |  |  |  |  |  |                 |  |  |  |  |  |  |  |  |  |  |  |  |  |  |
|                  |   |            | Enabled  | 1     | Read: Enabled  |  |  |  |  |  |  |  |  |  |  |  |                 |  |  |  |  |  |  |  |  |  |  |  |  |  |  |
| J                | RW  | PREGION0RA |          |       | Write '1' to Enable non-maskable interrupt for PREGION[0].RA event<br><br>See <a href="#">EVENTS_PREGION[0].RA</a> |  |  |  |  |  |  |  |  |  |  |  |                 |  |  |  |  |  |  |  |  |  |  |  |  |  |  |
|                  |   |            | Set      | 1     | Enable   |  |  |  |  |  |  |  |  |  |  |  |                 |  |  |  |  |  |  |  |  |  |  |  |  |  |  |
|                  |   |            | Disabled | 0     | Read: Disabled   |  |  |  |  |  |  |  |  |  |  |  |                 |  |  |  |  |  |  |  |  |  |  |  |  |  |  |
|                  |   |            | Enabled  | 1     | Read: Enabled  |  |  |  |  |  |  |  |  |  |  |  |                 |  |  |  |  |  |  |  |  |  |  |  |  |  |  |
| K                | RW  | PREGION1WA |          |       | Write '1' to Enable non-maskable interrupt for PREGION[1].WA event<br><br>See <a href="#">EVENTS_PREGION[1].WA</a> |  |  |  |  |  |  |  |  |  |  |  |                 |  |  |  |  |  |  |  |  |  |  |  |  |  |  |
|                  |   |            | Set      | 1     | Enable   |  |  |  |  |  |  |  |  |  |  |  |                 |  |  |  |  |  |  |  |  |  |  |  |  |  |  |
|                  |   |            | Disabled | 0     | Read: Disabled   |  |  |  |  |  |  |  |  |  |  |  |                 |  |  |  |  |  |  |  |  |  |  |  |  |  |  |
|                  |   |            | Enabled  | 1     | Read: Enabled  |  |  |  |  |  |  |  |  |  |  |  |                 |  |  |  |  |  |  |  |  |  |  |  |  |  |  |
| L                | RW  | PREGION1RA |          |       | Write '1' to Enable non-maskable interrupt for PREGION[1].RA event<br><br>See <a href="#">EVENTS_PREGION[1].RA</a> |  |  |  |  |  |  |  |  |  |  |  |                 |  |  |  |  |  |  |  |  |  |  |  |  |  |  |
|                  |   |            | Set      | 1     | Enable   |  |  |  |  |  |  |  |  |  |  |  |                 |  |  |  |  |  |  |  |  |  |  |  |  |  |  |
|                  |   |            | Disabled | 0     | Read: Disabled   |  |  |  |  |  |  |  |  |  |  |  |                 |  |  |  |  |  |  |  |  |  |  |  |  |  |  |
|                  |   |            | Enabled  | 1     | Read: Enabled  |  |  |  |  |  |  |  |  |  |  |  |                 |  |  |  |  |  |  |  |  |  |  |  |  |  |  |

### 45.1.6 NMIENCLR

Address offset: 0x328

Disable non-maskable interrupt

| Bit number       | 31 30 29 28 27 26 25 24 23 22 21 20 19 18 17 16 15 14 13 12 11 10 9 8 7 6 5 4 3 2 1 0 |           |          |       |   |  |  |  |  |  |  |  |  |  |  |  |                 |  |  |  |  |  |  |  |  |  |  |  |  |  |  |
|------------------|---|-----------|----------|-------|---|--|--|--|--|--|--|--|--|--|--|--|-----------------|--|--|--|--|--|--|--|--|--|--|--|--|--|--|
| Id               | L K J I   |           |          |       |   |  |  |  |  |  |  |  |  |  |  |  | H G F E D C B A |  |  |  |  |  |  |  |  |  |  |  |  |  |  |
| Reset 0x00000000 | 0             |           |          |       |   |  |  |  |  |  |  |  |  |  |  |  |                 |  |  |  |  |  |  |  |  |  |  |  |  |  |  |
| Id               | RW  | Field     | Value Id | Value | Description   |  |  |  |  |  |  |  |  |  |  |  |                 |  |  |  |  |  |  |  |  |  |  |  |  |  |  |
| A                | RW  | REGION0WA |          |       | Write '1' to Disable non-maskable interrupt for REGION[0].WA event<br><br>See <a href="#">EVENTS_REGION[0].WA</a> |  |  |  |  |  |  |  |  |  |  |  |                 |  |  |  |  |  |  |  |  |  |  |  |  |  |  |
|                  |   |           | Clear    | 1     | Disable   |  |  |  |  |  |  |  |  |  |  |  |                 |  |  |  |  |  |  |  |  |  |  |  |  |  |  |
|                  |   |           | Disabled | 0     | Read: Disabled  |  |  |  |  |  |  |  |  |  |  |  |                 |  |  |  |  |  |  |  |  |  |  |  |  |  |  |
|                  |   |           | Enabled  | 1     | Read: Enabled   |  |  |  |  |  |  |  |  |  |  |  |                 |  |  |  |  |  |  |  |  |  |  |  |  |  |  |
| B                | RW  | REGION0RA |          |       | Write '1' to Disable non-maskable interrupt for REGION[0].RA event<br><br>See <a href="#">EVENTS_REGION[0].RA</a> |  |  |  |  |  |  |  |  |  |  |  |                 |  |  |  |  |  |  |  |  |  |  |  |  |  |  |
|                  |   |           | Clear    | 1     | Disable   |  |  |  |  |  |  |  |  |  |  |  |                 |  |  |  |  |  |  |  |  |  |  |  |  |  |  |
|                  |   |           | Disabled | 0     | Read: Disabled  |  |  |  |  |  |  |  |  |  |  |  |                 |  |  |  |  |  |  |  |  |  |  |  |  |  |  |
|                  |   |           | Enabled  | 1     | Read: Enabled   |  |  |  |  |  |  |  |  |  |  |  |                 |  |  |  |  |  |  |  |  |  |  |  |  |  |  |
| C                | RW  | REGION1WA |          |       | Write '1' to Disable non-maskable interrupt for REGION[1].WA event<br><br>See <a href="#">EVENTS_REGION[1].WA</a> |  |  |  |  |  |  |  |  |  |  |  |                 |  |  |  |  |  |  |  |  |  |  |  |  |  |  |
|                  |   |           | Clear    | 1     | Disable   |  |  |  |  |  |  |  |  |  |  |  |                 |  |  |  |  |  |  |  |  |  |  |  |  |  |  |
|                  |   |           | Disabled | 0     | Read: Disabled  |  |  |  |  |  |  |  |  |  |  |  |                 |  |  |  |  |  |  |  |  |  |  |  |  |  |  |
|                  |   |           | Enabled  | 1     | Read: Enabled   |  |  |  |  |  |  |  |  |  |  |  |                 |  |  |  |  |  |  |  |  |  |  |  |  |  |  |
| D                | RW  | REGION1RA |          |       | Write '1' to Disable non-maskable interrupt for REGION[1].RA event<br><br>See <a href="#">EVENTS_REGION[1].RA</a> |  |  |  |  |  |  |  |  |  |  |  |                 |  |  |  |  |  |  |  |  |  |  |  |  |  |  |

| Bit number       |   |            |          |       |                |   |  |  |  |  |  |  |  |  |  |  |  |  |  |  |  |  |  |                 |  |  |  |  |  |  |  |
|------------------|---|------------|----------|-------|----------------|---|--|--|--|--|--|--|--|--|--|--|--|--|--|--|--|--|--|-----------------|--|--|--|--|--|--|--|
| Id               | L K J I   |            |          |       |                |   |  |  |  |  |  |  |  |  |  |  |  |  |  |  |  |  |  | H G F E D C B A |  |  |  |  |  |  |  |
| Reset 0x00000000 | 0 |            |          |       |                |   |  |  |  |  |  |  |  |  |  |  |  |  |  |  |  |  |  |                 |  |  |  |  |  |  |  |
| Id               | RW  | Field      | Value Id | Value | Description    |   |  |  |  |  |  |  |  |  |  |  |  |  |  |  |  |  |  |                 |  |  |  |  |  |  |  |
|                  |   |            | Clear    | 1     | Disable        |   |  |  |  |  |  |  |  |  |  |  |  |  |  |  |  |  |  |                 |  |  |  |  |  |  |  |
|                  |   |            | Disabled | 0     | Read: Disabled |   |  |  |  |  |  |  |  |  |  |  |  |  |  |  |  |  |  |                 |  |  |  |  |  |  |  |
|                  |   |            | Enabled  | 1     | Read: Enabled  |   |  |  |  |  |  |  |  |  |  |  |  |  |  |  |  |  |  |                 |  |  |  |  |  |  |  |
|                  |   |            |          |       |                |   |  |  |  |  |  |  |  |  |  |  |  |  |  |  |  |  |  |                 |  |  |  |  |  |  |  |
| E                | RW  | REGION2WA  |          |       |                | Write '1' to Disable non-maskable interrupt for REGION[2].WA event  |  |  |  |  |  |  |  |  |  |  |  |  |  |  |  |  |  |                 |  |  |  |  |  |  |  |
|                  |   |            |          |       |                | See <a href="#">EVENTS_REGION[2].WA</a>                             |  |  |  |  |  |  |  |  |  |  |  |  |  |  |  |  |  |                 |  |  |  |  |  |  |  |
|                  |   |            | Clear    | 1     | Disable        |   |  |  |  |  |  |  |  |  |  |  |  |  |  |  |  |  |  |                 |  |  |  |  |  |  |  |
|                  |   |            | Disabled | 0     | Read: Disabled |   |  |  |  |  |  |  |  |  |  |  |  |  |  |  |  |  |  |                 |  |  |  |  |  |  |  |
|                  |   |            | Enabled  | 1     | Read: Enabled  |   |  |  |  |  |  |  |  |  |  |  |  |  |  |  |  |  |  |                 |  |  |  |  |  |  |  |
|                  |   |            |          |       |                |   |  |  |  |  |  |  |  |  |  |  |  |  |  |  |  |  |  |                 |  |  |  |  |  |  |  |
| F                | RW  | REGION2RA  |          |       |                | Write '1' to Disable non-maskable interrupt for REGION[2].RA event  |  |  |  |  |  |  |  |  |  |  |  |  |  |  |  |  |  |                 |  |  |  |  |  |  |  |
|                  |   |            |          |       |                | See <a href="#">EVENTS_REGION[2].RA</a>                             |  |  |  |  |  |  |  |  |  |  |  |  |  |  |  |  |  |                 |  |  |  |  |  |  |  |
|                  |   |            | Clear    | 1     | Disable        |   |  |  |  |  |  |  |  |  |  |  |  |  |  |  |  |  |  |                 |  |  |  |  |  |  |  |
|                  |   |            | Disabled | 0     | Read: Disabled |   |  |  |  |  |  |  |  |  |  |  |  |  |  |  |  |  |  |                 |  |  |  |  |  |  |  |
|                  |   |            | Enabled  | 1     | Read: Enabled  |   |  |  |  |  |  |  |  |  |  |  |  |  |  |  |  |  |  |                 |  |  |  |  |  |  |  |
|                  |   |            |          |       |                |   |  |  |  |  |  |  |  |  |  |  |  |  |  |  |  |  |  |                 |  |  |  |  |  |  |  |
| G                | RW  | REGION3WA  |          |       |                | Write '1' to Disable non-maskable interrupt for REGION[3].WA event  |  |  |  |  |  |  |  |  |  |  |  |  |  |  |  |  |  |                 |  |  |  |  |  |  |  |
|                  |   |            |          |       |                | See <a href="#">EVENTS_REGION[3].WA</a>                             |  |  |  |  |  |  |  |  |  |  |  |  |  |  |  |  |  |                 |  |  |  |  |  |  |  |
|                  |   |            | Clear    | 1     | Disable        |   |  |  |  |  |  |  |  |  |  |  |  |  |  |  |  |  |  |                 |  |  |  |  |  |  |  |
|                  |   |            | Disabled | 0     | Read: Disabled |   |  |  |  |  |  |  |  |  |  |  |  |  |  |  |  |  |  |                 |  |  |  |  |  |  |  |
|                  |   |            | Enabled  | 1     | Read: Enabled  |   |  |  |  |  |  |  |  |  |  |  |  |  |  |  |  |  |  |                 |  |  |  |  |  |  |  |
|                  |   |            |          |       |                |   |  |  |  |  |  |  |  |  |  |  |  |  |  |  |  |  |  |                 |  |  |  |  |  |  |  |
| H                | RW  | REGION3RA  |          |       |                | Write '1' to Disable non-maskable interrupt for REGION[3].RA event  |  |  |  |  |  |  |  |  |  |  |  |  |  |  |  |  |  |                 |  |  |  |  |  |  |  |
|                  |   |            |          |       |                | See <a href="#">EVENTS_REGION[3].RA</a>                             |  |  |  |  |  |  |  |  |  |  |  |  |  |  |  |  |  |                 |  |  |  |  |  |  |  |
|                  |   |            | Clear    | 1     | Disable        |   |  |  |  |  |  |  |  |  |  |  |  |  |  |  |  |  |  |                 |  |  |  |  |  |  |  |
|                  |   |            | Disabled | 0     | Read: Disabled |   |  |  |  |  |  |  |  |  |  |  |  |  |  |  |  |  |  |                 |  |  |  |  |  |  |  |
|                  |   |            | Enabled  | 1     | Read: Enabled  |   |  |  |  |  |  |  |  |  |  |  |  |  |  |  |  |  |  |                 |  |  |  |  |  |  |  |
|                  |   |            |          |       |                |   |  |  |  |  |  |  |  |  |  |  |  |  |  |  |  |  |  |                 |  |  |  |  |  |  |  |
| I                | RW  | PREGION0WA |          |       |                | Write '1' to Disable non-maskable interrupt for PREGION[0].WA event |  |  |  |  |  |  |  |  |  |  |  |  |  |  |  |  |  |                 |  |  |  |  |  |  |  |
|                  |   |            |          |       |                | See <a href="#">EVENTS_PREGION[0].WA</a>                            |  |  |  |  |  |  |  |  |  |  |  |  |  |  |  |  |  |                 |  |  |  |  |  |  |  |
|                  |   |            | Clear    | 1     | Disable        |   |  |  |  |  |  |  |  |  |  |  |  |  |  |  |  |  |  |                 |  |  |  |  |  |  |  |
|                  |   |            | Disabled | 0     | Read: Disabled |   |  |  |  |  |  |  |  |  |  |  |  |  |  |  |  |  |  |                 |  |  |  |  |  |  |  |
|                  |   |            | Enabled  | 1     | Read: Enabled  |   |  |  |  |  |  |  |  |  |  |  |  |  |  |  |  |  |  |                 |  |  |  |  |  |  |  |
|                  |   |            |          |       |                |   |  |  |  |  |  |  |  |  |  |  |  |  |  |  |  |  |  |                 |  |  |  |  |  |  |  |
| J                | RW  | PREGION0RA |          |       |                | Write '1' to Disable non-maskable interrupt for PREGION[0].RA event |  |  |  |  |  |  |  |  |  |  |  |  |  |  |  |  |  |                 |  |  |  |  |  |  |  |
|                  |   |            |          |       |                | See <a href="#">EVENTS_PREGION[0].RA</a>                            |  |  |  |  |  |  |  |  |  |  |  |  |  |  |  |  |  |                 |  |  |  |  |  |  |  |
|                  |   |            | Clear    | 1     | Disable        |   |  |  |  |  |  |  |  |  |  |  |  |  |  |  |  |  |  |                 |  |  |  |  |  |  |  |
|                  |   |            | Disabled | 0     | Read: Disabled |   |  |  |  |  |  |  |  |  |  |  |  |  |  |  |  |  |  |                 |  |  |  |  |  |  |  |
|                  |   |            | Enabled  | 1     | Read: Enabled  |   |  |  |  |  |  |  |  |  |  |  |  |  |  |  |  |  |  |                 |  |  |  |  |  |  |  |
|                  |   |            |          |       |                |   |  |  |  |  |  |  |  |  |  |  |  |  |  |  |  |  |  |                 |  |  |  |  |  |  |  |
| K                | RW  | PREGION1WA |          |       |                | Write '1' to Disable non-maskable interrupt for PREGION[1].WA event |  |  |  |  |  |  |  |  |  |  |  |  |  |  |  |  |  |                 |  |  |  |  |  |  |  |
|                  |   |            |          |       |                | See <a href="#">EVENTS_PREGION[1].WA</a>                            |  |  |  |  |  |  |  |  |  |  |  |  |  |  |  |  |  |                 |  |  |  |  |  |  |  |
|                  |   |            | Clear    | 1     | Disable        |   |  |  |  |  |  |  |  |  |  |  |  |  |  |  |  |  |  |                 |  |  |  |  |  |  |  |
|                  |   |            | Disabled | 0     | Read: Disabled |   |  |  |  |  |  |  |  |  |  |  |  |  |  |  |  |  |  |                 |  |  |  |  |  |  |  |
|                  |   |            | Enabled  | 1     | Read: Enabled  |   |  |  |  |  |  |  |  |  |  |  |  |  |  |  |  |  |  |                 |  |  |  |  |  |  |  |
|                  |   |            |          |       |                |   |  |  |  |  |  |  |  |  |  |  |  |  |  |  |  |  |  |                 |  |  |  |  |  |  |  |
| L                | RW  | PREGION1RA |          |       |                | Write '1' to Disable non-maskable interrupt for PREGION[1].RA event |  |  |  |  |  |  |  |  |  |  |  |  |  |  |  |  |  |                 |  |  |  |  |  |  |  |
|                  |   |            |          |       |                | See <a href="#">EVENTS_PREGION[1].RA</a>                            |  |  |  |  |  |  |  |  |  |  |  |  |  |  |  |  |  |                 |  |  |  |  |  |  |  |
|                  |   |            | Clear    | 1     | Disable        |   |  |  |  |  |  |  |  |  |  |  |  |  |  |  |  |  |  |                 |  |  |  |  |  |  |  |
|                  |   |            | Disabled | 0     | Read: Disabled |   |  |  |  |  |  |  |  |  |  |  |  |  |  |  |  |  |  |                 |  |  |  |  |  |  |  |
|                  |   |            | Enabled  | 1     | Read: Enabled  |   |  |  |  |  |  |  |  |  |  |  |  |  |  |  |  |  |  |                 |  |  |  |  |  |  |  |
|                  |   |            |          |       |                |   |  |  |  |  |  |  |  |  |  |  |  |  |  |  |  |  |  |                 |  |  |  |  |  |  |  |

### 45.1.7 PERREGION[0].SUBSTATWA

Address offset: 0x400

Source of event/interrupt in region 0, write access detected while corresponding subregion was enabled for watching

| Bit number       | 31 | 30    | 29       | 28    | 27  | 26 | 25 | 24 | 23 | 22 | 21 | 20 | 19 | 18 | 17 | 16 | 15 | 14 | 13 | 12 | 11 | 10 | 9 | 8 | 7 | 6 | 5 | 4 | 3 | 2 | 1 | 0 |
|------------------|----|-------|----------|-------|---|----|----|----|----|----|----|----|----|----|----|----|----|----|----|----|----|----|---|---|---|---|---|---|---|---|---|---|
| Id               | f  | e     | d        | c     | b   | a  | Z  | Y  | X  | W  | V  | U  | T  | S  | R  | Q  | P  | O  | N  | M  | L  | K  | J | I | H | G | F | E | D | C | B | A |
| Reset 0x00000000 | 0  | 0     | 0        | 0     | 0   | 0  | 0  | 0  | 0  | 0  | 0  | 0  | 0  | 0  | 0  | 0  | 0  | 0  | 0  | 0  | 0  | 0  | 0 | 0 | 0 | 0 | 0 | 0 | 0 | 0 | 0 | 0 |
| Id               | RW | Field | Value Id | Value | Description   |    |    |    |    |    |    |    |    |    |    |    |    |    |    |    |    |    |   |   |   |   |   |   |   |   |   |   |
| A                | RW | SR0   | NoAccess | 0     | Subregion 0 in region 0 (write '1' to clear)<br>No write access occurred in this subregion  |    |    |    |    |    |    |    |    |    |    |    |    |    |    |    |    |    |   |   |   |   |   |   |   |   |   |   |
|                  |    |       | Access   | 1     | Write access(es) occurred in this subregion   |    |    |    |    |    |    |    |    |    |    |    |    |    |    |    |    |    |   |   |   |   |   |   |   |   |   |   |
| B                | RW | SR1   | NoAccess | 0     | Subregion 1 in region 0 (write '1' to clear)<br>No write access occurred in this subregion  |    |    |    |    |    |    |    |    |    |    |    |    |    |    |    |    |    |   |   |   |   |   |   |   |   |   |   |
|                  |    |       | Access   | 1     | Write access(es) occurred in this subregion   |    |    |    |    |    |    |    |    |    |    |    |    |    |    |    |    |    |   |   |   |   |   |   |   |   |   |   |
| C                | RW | SR2   | NoAccess | 0     | Subregion 2 in region 0 (write '1' to clear)<br>No write access occurred in this subregion  |    |    |    |    |    |    |    |    |    |    |    |    |    |    |    |    |    |   |   |   |   |   |   |   |   |   |   |
|                  |    |       | Access   | 1     | Write access(es) occurred in this subregion   |    |    |    |    |    |    |    |    |    |    |    |    |    |    |    |    |    |   |   |   |   |   |   |   |   |   |   |
| D                | RW | SR3   | NoAccess | 0     | Subregion 3 in region 0 (write '1' to clear)<br>No write access occurred in this subregion  |    |    |    |    |    |    |    |    |    |    |    |    |    |    |    |    |    |   |   |   |   |   |   |   |   |   |   |
|                  |    |       | Access   | 1     | Write access(es) occurred in this subregion   |    |    |    |    |    |    |    |    |    |    |    |    |    |    |    |    |    |   |   |   |   |   |   |   |   |   |   |
| E                | RW | SR4   | NoAccess | 0     | Subregion 4 in region 0 (write '1' to clear)<br>No write access occurred in this subregion  |    |    |    |    |    |    |    |    |    |    |    |    |    |    |    |    |    |   |   |   |   |   |   |   |   |   |   |
|                  |    |       | Access   | 1     | Write access(es) occurred in this subregion   |    |    |    |    |    |    |    |    |    |    |    |    |    |    |    |    |    |   |   |   |   |   |   |   |   |   |   |
| F                | RW | SR5   | NoAccess | 0     | Subregion 5 in region 0 (write '1' to clear)<br>No write access occurred in this subregion  |    |    |    |    |    |    |    |    |    |    |    |    |    |    |    |    |    |   |   |   |   |   |   |   |   |   |   |
|                  |    |       | Access   | 1     | Write access(es) occurred in this subregion   |    |    |    |    |    |    |    |    |    |    |    |    |    |    |    |    |    |   |   |   |   |   |   |   |   |   |   |
| G                | RW | SR6   | NoAccess | 0     | Subregion 6 in region 0 (write '1' to clear)<br>No write access occurred in this subregion  |    |    |    |    |    |    |    |    |    |    |    |    |    |    |    |    |    |   |   |   |   |   |   |   |   |   |   |
|                  |    |       | Access   | 1     | Write access(es) occurred in this subregion   |    |    |    |    |    |    |    |    |    |    |    |    |    |    |    |    |    |   |   |   |   |   |   |   |   |   |   |
| H                | RW | SR7   | NoAccess | 0     | Subregion 7 in region 0 (write '1' to clear)<br>No write access occurred in this subregion  |    |    |    |    |    |    |    |    |    |    |    |    |    |    |    |    |    |   |   |   |   |   |   |   |   |   |   |
|                  |    |       | Access   | 1     | Write access(es) occurred in this subregion   |    |    |    |    |    |    |    |    |    |    |    |    |    |    |    |    |    |   |   |   |   |   |   |   |   |   |   |
| I                | RW | SR8   | NoAccess | 0     | Subregion 8 in region 0 (write '1' to clear)<br>No write access occurred in this subregion  |    |    |    |    |    |    |    |    |    |    |    |    |    |    |    |    |    |   |   |   |   |   |   |   |   |   |   |
|                  |    |       | Access   | 1     | Write access(es) occurred in this subregion   |    |    |    |    |    |    |    |    |    |    |    |    |    |    |    |    |    |   |   |   |   |   |   |   |   |   |   |
| J                | RW | SR9   | NoAccess | 0     | Subregion 9 in region 0 (write '1' to clear)<br>No write access occurred in this subregion  |    |    |    |    |    |    |    |    |    |    |    |    |    |    |    |    |    |   |   |   |   |   |   |   |   |   |   |
|                  |    |       | Access   | 1     | Write access(es) occurred in this subregion   |    |    |    |    |    |    |    |    |    |    |    |    |    |    |    |    |    |   |   |   |   |   |   |   |   |   |   |
| K                | RW | SR10  | NoAccess | 0     | Subregion 10 in region 0 (write '1' to clear)<br>No write access occurred in this subregion |    |    |    |    |    |    |    |    |    |    |    |    |    |    |    |    |    |   |   |   |   |   |   |   |   |   |   |
|                  |    |       | Access   | 1     | Write access(es) occurred in this subregion   |    |    |    |    |    |    |    |    |    |    |    |    |    |    |    |    |    |   |   |   |   |   |   |   |   |   |   |
| L                | RW | SR11  | NoAccess | 0     | Subregion 11 in region 0 (write '1' to clear)<br>No write access occurred in this subregion |    |    |    |    |    |    |    |    |    |    |    |    |    |    |    |    |    |   |   |   |   |   |   |   |   |   |   |
|                  |    |       | Access   | 1     | Write access(es) occurred in this subregion   |    |    |    |    |    |    |    |    |    |    |    |    |    |    |    |    |    |   |   |   |   |   |   |   |   |   |   |
| M                | RW | SR12  | NoAccess | 0     | Subregion 12 in region 0 (write '1' to clear)<br>No write access occurred in this subregion |    |    |    |    |    |    |    |    |    |    |    |    |    |    |    |    |    |   |   |   |   |   |   |   |   |   |   |
|                  |    |       | Access   | 1     | Write access(es) occurred in this subregion   |    |    |    |    |    |    |    |    |    |    |    |    |    |    |    |    |    |   |   |   |   |   |   |   |   |   |   |
| N                | RW | SR13  | NoAccess | 0     | Subregion 13 in region 0 (write '1' to clear)<br>No write access occurred in this subregion |    |    |    |    |    |    |    |    |    |    |    |    |    |    |    |    |    |   |   |   |   |   |   |   |   |   |   |
|                  |    |       | Access   | 1     | Write access(es) occurred in this subregion   |    |    |    |    |    |    |    |    |    |    |    |    |    |    |    |    |    |   |   |   |   |   |   |   |   |   |   |
| O                | RW | SR14  | NoAccess | 0     | Subregion 14 in region 0 (write '1' to clear)<br>No write access occurred in this subregion |    |    |    |    |    |    |    |    |    |    |    |    |    |    |    |    |    |   |   |   |   |   |   |   |   |   |   |
|                  |    |       | Access   | 1     | Write access(es) occurred in this subregion   |    |    |    |    |    |    |    |    |    |    |    |    |    |    |    |    |    |   |   |   |   |   |   |   |   |   |   |
| P                | RW | SR15  | NoAccess | 0     | Subregion 15 in region 0 (write '1' to clear)<br>No write access occurred in this subregion |    |    |    |    |    |    |    |    |    |    |    |    |    |    |    |    |    |   |   |   |   |   |   |   |   |   |   |
|                  |    |       | Access   | 1     | Write access(es) occurred in this subregion   |    |    |    |    |    |    |    |    |    |    |    |    |    |    |    |    |    |   |   |   |   |   |   |   |   |   |   |
| Q                | RW | SR16  |          |       | Subregion 16 in region 0 (write '1' to clear)   |    |    |    |    |    |    |    |    |    |    |    |    |    |    |    |    |    |   |   |   |   |   |   |   |   |   |   |



|                  |    |    |    |    |    |    |    |    |    |    |    |    |    |    |    |    |    |    |    |    |    |    |   |   |   |   |   |   |   |   |   |   |
|------------------|----|----|----|----|----|----|----|----|----|----|----|----|----|----|----|----|----|----|----|----|----|----|---|---|---|---|---|---|---|---|---|---|
| Bit number       | 31 | 30 | 29 | 28 | 27 | 26 | 25 | 24 | 23 | 22 | 21 | 20 | 19 | 18 | 17 | 16 | 15 | 14 | 13 | 12 | 11 | 10 | 9 | 8 | 7 | 6 | 5 | 4 | 3 | 2 | 1 | 0 |
| Id               | f  | e  | d  | c  | b  | a  | Z  | Y  | X  | W  | V  | U  | T  | S  | R  | Q  | P  | O  | N  | M  | L  | K  | J | I | H | G | F | E | D | C | B | A |
| Reset 0x00000000 | 0  | 0  | 0  | 0  | 0  | 0  | 0  | 0  | 0  | 0  | 0  | 0  | 0  | 0  | 0  | 0  | 0  | 0  | 0  | 0  | 0  | 0  | 0 | 0 | 0 | 0 | 0 | 0 | 0 | 0 | 0 | 0 |

| Id | RW | Field | Value Id | Value | Description                                 |
|----|----|-------|----------|-------|---|
|    |    |       | NoAccess | 0     | No write access occurred in this subregion  |
|    |    |       | Access   | 1     | Write access(es) occurred in this subregion |
| R  | RW | SR17  | NoAccess | 0     | No write access occurred in this subregion  |
|    |    |       | Access   | 1     | Write access(es) occurred in this subregion |
| S  | RW | SR18  | NoAccess | 0     | No write access occurred in this subregion  |
|    |    |       | Access   | 1     | Write access(es) occurred in this subregion |
| T  | RW | SR19  | NoAccess | 0     | No write access occurred in this subregion  |
|    |    |       | Access   | 1     | Write access(es) occurred in this subregion |
| U  | RW | SR20  | NoAccess | 0     | No write access occurred in this subregion  |
|    |    |       | Access   | 1     | Write access(es) occurred in this subregion |
| V  | RW | SR21  | NoAccess | 0     | No write access occurred in this subregion  |
|    |    |       | Access   | 1     | Write access(es) occurred in this subregion |
| W  | RW | SR22  | NoAccess | 0     | No write access occurred in this subregion  |
|    |    |       | Access   | 1     | Write access(es) occurred in this subregion |
| X  | RW | SR23  | NoAccess | 0     | No write access occurred in this subregion  |
|    |    |       | Access   | 1     | Write access(es) occurred in this subregion |
| Y  | RW | SR24  | NoAccess | 0     | No write access occurred in this subregion  |
|    |    |       | Access   | 1     | Write access(es) occurred in this subregion |
| Z  | RW | SR25  | NoAccess | 0     | No write access occurred in this subregion  |
|    |    |       | Access   | 1     | Write access(es) occurred in this subregion |
| a  | RW | SR26  | NoAccess | 0     | No write access occurred in this subregion  |
|    |    |       | Access   | 1     | Write access(es) occurred in this subregion |
| b  | RW | SR27  | NoAccess | 0     | No write access occurred in this subregion  |
|    |    |       | Access   | 1     | Write access(es) occurred in this subregion |
| c  | RW | SR28  | NoAccess | 0     | No write access occurred in this subregion  |
|    |    |       | Access   | 1     | Write access(es) occurred in this subregion |
| d  | RW | SR29  | NoAccess | 0     | No write access occurred in this subregion  |
|    |    |       | Access   | 1     | Write access(es) occurred in this subregion |
| e  | RW | SR30  | NoAccess | 0     | No write access occurred in this subregion  |
|    |    |       | Access   | 1     | Write access(es) occurred in this subregion |
| f  | RW | SR31  | NoAccess | 0     | No write access occurred in this subregion  |
|    |    |       | Access   | 1     | Write access(es) occurred in this subregion |

### 45.1.8 PERREGION[0].SUBSTATRA

Address offset: 0x404

Source of event/interrupt in region 0, read access detected while corresponding subregion was enabled for watching

|                  |    |    |    |    |    |    |    |    |    |    |    |    |    |    |    |    |    |    |    |    |    |    |   |   |   |   |   |   |   |   |   |   |
|------------------|----|----|----|----|----|----|----|----|----|----|----|----|----|----|----|----|----|----|----|----|----|----|---|---|---|---|---|---|---|---|---|---|
| Bit number       | 31 | 30 | 29 | 28 | 27 | 26 | 25 | 24 | 23 | 22 | 21 | 20 | 19 | 18 | 17 | 16 | 15 | 14 | 13 | 12 | 11 | 10 | 9 | 8 | 7 | 6 | 5 | 4 | 3 | 2 | 1 | 0 |
| Id               | f  | e  | d  | c  | b  | a  | Z  | Y  | X  | W  | V  | U  | T  | S  | R  | Q  | P  | O  | N  | M  | L  | K  | J | I | H | G | F | E | D | C | B | A |
| Reset 0x00000000 | 0  | 0  | 0  | 0  | 0  | 0  | 0  | 0  | 0  | 0  | 0  | 0  | 0  | 0  | 0  | 0  | 0  | 0  | 0  | 0  | 0  | 0  | 0 | 0 | 0 | 0 | 0 | 0 | 0 | 0 | 0 | 0 |

| Id | RW | Field | Value Id | Value | Description  |
|----|----|-------|----------|-------|--|
| A  | RW | SR0   | NoAccess | 0     | Subregion 0 in region 0 (write '1' to clear)<br>No read access occurred in this subregion  |
|    |    |       | Access   | 1     | Read access(es) occurred in this subregion   |
| B  | RW | SR1   | NoAccess | 0     | Subregion 1 in region 0 (write '1' to clear)<br>No read access occurred in this subregion  |
|    |    |       | Access   | 1     | Read access(es) occurred in this subregion   |
| C  | RW | SR2   | NoAccess | 0     | Subregion 2 in region 0 (write '1' to clear)<br>No read access occurred in this subregion  |
|    |    |       | Access   | 1     | Read access(es) occurred in this subregion   |
| D  | RW | SR3   | NoAccess | 0     | Subregion 3 in region 0 (write '1' to clear)<br>No read access occurred in this subregion  |
|    |    |       | Access   | 1     | Read access(es) occurred in this subregion   |
| E  | RW | SR4   | NoAccess | 0     | Subregion 4 in region 0 (write '1' to clear)<br>No read access occurred in this subregion  |
|    |    |       | Access   | 1     | Read access(es) occurred in this subregion   |
| F  | RW | SR5   | NoAccess | 0     | Subregion 5 in region 0 (write '1' to clear)<br>No read access occurred in this subregion  |
|    |    |       | Access   | 1     | Read access(es) occurred in this subregion   |
| G  | RW | SR6   | NoAccess | 0     | Subregion 6 in region 0 (write '1' to clear)<br>No read access occurred in this subregion  |
|    |    |       | Access   | 1     | Read access(es) occurred in this subregion   |
| H  | RW | SR7   | NoAccess | 0     | Subregion 7 in region 0 (write '1' to clear)<br>No read access occurred in this subregion  |
|    |    |       | Access   | 1     | Read access(es) occurred in this subregion   |
| I  | RW | SR8   | NoAccess | 0     | Subregion 8 in region 0 (write '1' to clear)<br>No read access occurred in this subregion  |
|    |    |       | Access   | 1     | Read access(es) occurred in this subregion   |
| J  | RW | SR9   | NoAccess | 0     | Subregion 9 in region 0 (write '1' to clear)<br>No read access occurred in this subregion  |
|    |    |       | Access   | 1     | Read access(es) occurred in this subregion   |
| K  | RW | SR10  | NoAccess | 0     | Subregion 10 in region 0 (write '1' to clear)<br>No read access occurred in this subregion |
|    |    |       | Access   | 1     | Read access(es) occurred in this subregion   |
| L  | RW | SR11  | NoAccess | 0     | Subregion 11 in region 0 (write '1' to clear)<br>No read access occurred in this subregion |
|    |    |       | Access   | 1     | Read access(es) occurred in this subregion   |
| M  | RW | SR12  | NoAccess | 0     | Subregion 12 in region 0 (write '1' to clear)<br>No read access occurred in this subregion |
|    |    |       | Access   | 1     | Read access(es) occurred in this subregion   |
| N  | RW | SR13  | NoAccess | 0     | Subregion 13 in region 0 (write '1' to clear)<br>No read access occurred in this subregion |
|    |    |       | Access   | 1     | Read access(es) occurred in this subregion   |
| O  | RW | SR14  | NoAccess | 0     | Subregion 14 in region 0 (write '1' to clear)<br>No read access occurred in this subregion |
|    |    |       | Access   | 1     | Read access(es) occurred in this subregion   |
| P  | RW | SR15  | NoAccess | 0     | Subregion 15 in region 0 (write '1' to clear)<br>No read access occurred in this subregion |
|    |    |       | Access   | 1     | Read access(es) occurred in this subregion   |
| Q  | RW | SR16  | NoAccess | 0     | Subregion 16 in region 0 (write '1' to clear)<br>No read access occurred in this subregion |
|    |    |       | Access   | 1     | Read access(es) occurred in this subregion   |
| R  | RW | SR17  | NoAccess | 0     | Subregion 17 in region 0 (write '1' to clear)<br>No read access occurred in this subregion |
|    |    |       | Access   | 1     | Read access(es) occurred in this subregion   |
| S  | RW | SR18  |          |       | Subregion 18 in region 0 (write '1' to clear)  |

| Bit number       |    |       |          |       |   |  |  |  |  |  |  |  |  |  |  |  |  |  |  |  |  |  |  |  |  |  |  |  |  |  |  |  |
|------------------|----|-------|----------|-------|---|--|--|--|--|--|--|--|--|--|--|--|--|--|--|--|--|--|--|--|--|--|--|--|--|--|--|--|
| Id               |    |       |          |       |   |  |  |  |  |  |  |  |  |  |  |  |  |  |  |  |  |  |  |  |  |  |  |  |  |  |  |  |
| Reset 0x00000000 |    |       |          |       |   |  |  |  |  |  |  |  |  |  |  |  |  |  |  |  |  |  |  |  |  |  |  |  |  |  |  |  |
| Id               | RW | Field | Value Id | Value | Description                                   |  |  |  |  |  |  |  |  |  |  |  |  |  |  |  |  |  |  |  |  |  |  |  |  |  |  |  |
|                  |    |       | NoAccess | 0     | No read access occurred in this subregion     |  |  |  |  |  |  |  |  |  |  |  |  |  |  |  |  |  |  |  |  |  |  |  |  |  |  |  |
|                  |    |       | Access   | 1     | Read access(es) occurred in this subregion    |  |  |  |  |  |  |  |  |  |  |  |  |  |  |  |  |  |  |  |  |  |  |  |  |  |  |  |
| T                | RW | SR19  |          |       | Subregion 19 in region 0 (write '1' to clear) |  |  |  |  |  |  |  |  |  |  |  |  |  |  |  |  |  |  |  |  |  |  |  |  |  |  |  |
|                  |    |       | NoAccess | 0     | No read access occurred in this subregion     |  |  |  |  |  |  |  |  |  |  |  |  |  |  |  |  |  |  |  |  |  |  |  |  |  |  |  |
|                  |    |       | Access   | 1     | Read access(es) occurred in this subregion    |  |  |  |  |  |  |  |  |  |  |  |  |  |  |  |  |  |  |  |  |  |  |  |  |  |  |  |
| U                | RW | SR20  |          |       | Subregion 20 in region 0 (write '1' to clear) |  |  |  |  |  |  |  |  |  |  |  |  |  |  |  |  |  |  |  |  |  |  |  |  |  |  |  |
|                  |    |       | NoAccess | 0     | No read access occurred in this subregion     |  |  |  |  |  |  |  |  |  |  |  |  |  |  |  |  |  |  |  |  |  |  |  |  |  |  |  |
|                  |    |       | Access   | 1     | Read access(es) occurred in this subregion    |  |  |  |  |  |  |  |  |  |  |  |  |  |  |  |  |  |  |  |  |  |  |  |  |  |  |  |
| V                | RW | SR21  |          |       | Subregion 21 in region 0 (write '1' to clear) |  |  |  |  |  |  |  |  |  |  |  |  |  |  |  |  |  |  |  |  |  |  |  |  |  |  |  |
|                  |    |       | NoAccess | 0     | No read access occurred in this subregion     |  |  |  |  |  |  |  |  |  |  |  |  |  |  |  |  |  |  |  |  |  |  |  |  |  |  |  |
|                  |    |       | Access   | 1     | Read access(es) occurred in this subregion    |  |  |  |  |  |  |  |  |  |  |  |  |  |  |  |  |  |  |  |  |  |  |  |  |  |  |  |
| W                | RW | SR22  |          |       | Subregion 22 in region 0 (write '1' to clear) |  |  |  |  |  |  |  |  |  |  |  |  |  |  |  |  |  |  |  |  |  |  |  |  |  |  |  |
|                  |    |       | NoAccess | 0     | No read access occurred in this subregion     |  |  |  |  |  |  |  |  |  |  |  |  |  |  |  |  |  |  |  |  |  |  |  |  |  |  |  |
|                  |    |       | Access   | 1     | Read access(es) occurred in this subregion    |  |  |  |  |  |  |  |  |  |  |  |  |  |  |  |  |  |  |  |  |  |  |  |  |  |  |  |
| X                | RW | SR23  |          |       | Subregion 23 in region 0 (write '1' to clear) |  |  |  |  |  |  |  |  |  |  |  |  |  |  |  |  |  |  |  |  |  |  |  |  |  |  |  |
|                  |    |       | NoAccess | 0     | No read access occurred in this subregion     |  |  |  |  |  |  |  |  |  |  |  |  |  |  |  |  |  |  |  |  |  |  |  |  |  |  |  |
|                  |    |       | Access   | 1     | Read access(es) occurred in this subregion    |  |  |  |  |  |  |  |  |  |  |  |  |  |  |  |  |  |  |  |  |  |  |  |  |  |  |  |
| Y                | RW | SR24  |          |       | Subregion 24 in region 0 (write '1' to clear) |  |  |  |  |  |  |  |  |  |  |  |  |  |  |  |  |  |  |  |  |  |  |  |  |  |  |  |
|                  |    |       | NoAccess | 0     | No read access occurred in this subregion     |  |  |  |  |  |  |  |  |  |  |  |  |  |  |  |  |  |  |  |  |  |  |  |  |  |  |  |
|                  |    |       | Access   | 1     | Read access(es) occurred in this subregion    |  |  |  |  |  |  |  |  |  |  |  |  |  |  |  |  |  |  |  |  |  |  |  |  |  |  |  |
| Z                | RW | SR25  |          |       | Subregion 25 in region 0 (write '1' to clear) |  |  |  |  |  |  |  |  |  |  |  |  |  |  |  |  |  |  |  |  |  |  |  |  |  |  |  |
|                  |    |       | NoAccess | 0     | No read access occurred in this subregion     |  |  |  |  |  |  |  |  |  |  |  |  |  |  |  |  |  |  |  |  |  |  |  |  |  |  |  |
|                  |    |       | Access   | 1     | Read access(es) occurred in this subregion    |  |  |  |  |  |  |  |  |  |  |  |  |  |  |  |  |  |  |  |  |  |  |  |  |  |  |  |
| a                | RW | SR26  |          |       | Subregion 26 in region 0 (write '1' to clear) |  |  |  |  |  |  |  |  |  |  |  |  |  |  |  |  |  |  |  |  |  |  |  |  |  |  |  |
|                  |    |       | NoAccess | 0     | No read access occurred in this subregion     |  |  |  |  |  |  |  |  |  |  |  |  |  |  |  |  |  |  |  |  |  |  |  |  |  |  |  |
|                  |    |       | Access   | 1     | Read access(es) occurred in this subregion    |  |  |  |  |  |  |  |  |  |  |  |  |  |  |  |  |  |  |  |  |  |  |  |  |  |  |  |
| b                | RW | SR27  |          |       | Subregion 27 in region 0 (write '1' to clear) |  |  |  |  |  |  |  |  |  |  |  |  |  |  |  |  |  |  |  |  |  |  |  |  |  |  |  |
|                  |    |       | NoAccess | 0     | No read access occurred in this subregion     |  |  |  |  |  |  |  |  |  |  |  |  |  |  |  |  |  |  |  |  |  |  |  |  |  |  |  |
|                  |    |       | Access   | 1     | Read access(es) occurred in this subregion    |  |  |  |  |  |  |  |  |  |  |  |  |  |  |  |  |  |  |  |  |  |  |  |  |  |  |  |
| c                | RW | SR28  |          |       | Subregion 28 in region 0 (write '1' to clear) |  |  |  |  |  |  |  |  |  |  |  |  |  |  |  |  |  |  |  |  |  |  |  |  |  |  |  |
|                  |    |       | NoAccess | 0     | No read access occurred in this subregion     |  |  |  |  |  |  |  |  |  |  |  |  |  |  |  |  |  |  |  |  |  |  |  |  |  |  |  |
|                  |    |       | Access   | 1     | Read access(es) occurred in this subregion    |  |  |  |  |  |  |  |  |  |  |  |  |  |  |  |  |  |  |  |  |  |  |  |  |  |  |  |
| d                | RW | SR29  |          |       | Subregion 29 in region 0 (write '1' to clear) |  |  |  |  |  |  |  |  |  |  |  |  |  |  |  |  |  |  |  |  |  |  |  |  |  |  |  |
|                  |    |       | NoAccess | 0     | No read access occurred in this subregion     |  |  |  |  |  |  |  |  |  |  |  |  |  |  |  |  |  |  |  |  |  |  |  |  |  |  |  |
|                  |    |       | Access   | 1     | Read access(es) occurred in this subregion    |  |  |  |  |  |  |  |  |  |  |  |  |  |  |  |  |  |  |  |  |  |  |  |  |  |  |  |
| e                | RW | SR30  |          |       | Subregion 30 in region 0 (write '1' to clear) |  |  |  |  |  |  |  |  |  |  |  |  |  |  |  |  |  |  |  |  |  |  |  |  |  |  |  |
|                  |    |       | NoAccess | 0     | No read access occurred in this subregion     |  |  |  |  |  |  |  |  |  |  |  |  |  |  |  |  |  |  |  |  |  |  |  |  |  |  |  |
|                  |    |       | Access   | 1     | Read access(es) occurred in this subregion    |  |  |  |  |  |  |  |  |  |  |  |  |  |  |  |  |  |  |  |  |  |  |  |  |  |  |  |
| f                | RW | SR31  |          |       | Subregion 31 in region 0 (write '1' to clear) |  |  |  |  |  |  |  |  |  |  |  |  |  |  |  |  |  |  |  |  |  |  |  |  |  |  |  |
|                  |    |       | NoAccess | 0     | No read access occurred in this subregion     |  |  |  |  |  |  |  |  |  |  |  |  |  |  |  |  |  |  |  |  |  |  |  |  |  |  |  |
|                  |    |       | Access   | 1     | Read access(es) occurred in this subregion    |  |  |  |  |  |  |  |  |  |  |  |  |  |  |  |  |  |  |  |  |  |  |  |  |  |  |  |

### 45.1.9 PERREGION[1].SUBSTATWA

Address offset: 0x408

Source of event/interrupt in region 1, write access detected while corresponding subregion was enabled for watching

| Bit number       |    |       |          |       |  |  |  |  |  |  |  |  |  |  |  |  |  |  |  |  |  |  |  |  |  |  |  |  |  |  |  |  |
|------------------|----|-------|----------|-------|--|--|--|--|--|--|--|--|--|--|--|--|--|--|--|--|--|--|--|--|--|--|--|--|--|--|--|--|
| Id               |    |       |          |       |  |  |  |  |  |  |  |  |  |  |  |  |  |  |  |  |  |  |  |  |  |  |  |  |  |  |  |  |
| Reset 0x00000000 |    |       |          |       |  |  |  |  |  |  |  |  |  |  |  |  |  |  |  |  |  |  |  |  |  |  |  |  |  |  |  |  |
| Id               | RW | Field | Value Id | Value | Description                                  |  |  |  |  |  |  |  |  |  |  |  |  |  |  |  |  |  |  |  |  |  |  |  |  |  |  |  |
| A                | RW | SR0   |          |       | Subregion 0 in region 1 (write '1' to clear) |  |  |  |  |  |  |  |  |  |  |  |  |  |  |  |  |  |  |  |  |  |  |  |  |  |  |  |
|                  |    |       | NoAccess | 0     | No write access occurred in this subregion   |  |  |  |  |  |  |  |  |  |  |  |  |  |  |  |  |  |  |  |  |  |  |  |  |  |  |  |
|                  |    |       | Access   | 1     | Write access(es) occurred in this subregion  |  |  |  |  |  |  |  |  |  |  |  |  |  |  |  |  |  |  |  |  |  |  |  |  |  |  |  |

|                  |    |    |    |    |    |    |    |    |    |    |    |    |    |    |    |    |    |    |    |    |    |    |   |   |   |   |   |   |   |   |   |   |
|------------------|----|----|----|----|----|----|----|----|----|----|----|----|----|----|----|----|----|----|----|----|----|----|---|---|---|---|---|---|---|---|---|---|
| Bit number       | 31 | 30 | 29 | 28 | 27 | 26 | 25 | 24 | 23 | 22 | 21 | 20 | 19 | 18 | 17 | 16 | 15 | 14 | 13 | 12 | 11 | 10 | 9 | 8 | 7 | 6 | 5 | 4 | 3 | 2 | 1 | 0 |
| Id               | f  | e  | d  | c  | b  | a  | Z  | Y  | X  | W  | V  | U  | T  | S  | R  | Q  | P  | O  | N  | M  | L  | K  | J | I | H | G | F | E | D | C | B | A |
| Reset 0x00000000 | 0  | 0  | 0  | 0  | 0  | 0  | 0  | 0  | 0  | 0  | 0  | 0  | 0  | 0  | 0  | 0  | 0  | 0  | 0  | 0  | 0  | 0  | 0 | 0 | 0 | 0 | 0 | 0 | 0 | 0 | 0 | 0 |

| Id | RW | Field | Value Id | Value | Description   |
|----|----|-------|----------|-------|---|
| B  | RW | SR1   | NoAccess | 0     | Subregion 1 in region 1 (write '1' to clear)<br>No write access occurred in this subregion  |
|    |    |       | Access   | 1     | Write access(es) occurred in this subregion   |
| C  | RW | SR2   | NoAccess | 0     | Subregion 2 in region 1 (write '1' to clear)<br>No write access occurred in this subregion  |
|    |    |       | Access   | 1     | Write access(es) occurred in this subregion   |
| D  | RW | SR3   | NoAccess | 0     | Subregion 3 in region 1 (write '1' to clear)<br>No write access occurred in this subregion  |
|    |    |       | Access   | 1     | Write access(es) occurred in this subregion   |
| E  | RW | SR4   | NoAccess | 0     | Subregion 4 in region 1 (write '1' to clear)<br>No write access occurred in this subregion  |
|    |    |       | Access   | 1     | Write access(es) occurred in this subregion   |
| F  | RW | SR5   | NoAccess | 0     | Subregion 5 in region 1 (write '1' to clear)<br>No write access occurred in this subregion  |
|    |    |       | Access   | 1     | Write access(es) occurred in this subregion   |
| G  | RW | SR6   | NoAccess | 0     | Subregion 6 in region 1 (write '1' to clear)<br>No write access occurred in this subregion  |
|    |    |       | Access   | 1     | Write access(es) occurred in this subregion   |
| H  | RW | SR7   | NoAccess | 0     | Subregion 7 in region 1 (write '1' to clear)<br>No write access occurred in this subregion  |
|    |    |       | Access   | 1     | Write access(es) occurred in this subregion   |
| I  | RW | SR8   | NoAccess | 0     | Subregion 8 in region 1 (write '1' to clear)<br>No write access occurred in this subregion  |
|    |    |       | Access   | 1     | Write access(es) occurred in this subregion   |
| J  | RW | SR9   | NoAccess | 0     | Subregion 9 in region 1 (write '1' to clear)<br>No write access occurred in this subregion  |
|    |    |       | Access   | 1     | Write access(es) occurred in this subregion   |
| K  | RW | SR10  | NoAccess | 0     | Subregion 10 in region 1 (write '1' to clear)<br>No write access occurred in this subregion |
|    |    |       | Access   | 1     | Write access(es) occurred in this subregion   |
| L  | RW | SR11  | NoAccess | 0     | Subregion 11 in region 1 (write '1' to clear)<br>No write access occurred in this subregion |
|    |    |       | Access   | 1     | Write access(es) occurred in this subregion   |
| M  | RW | SR12  | NoAccess | 0     | Subregion 12 in region 1 (write '1' to clear)<br>No write access occurred in this subregion |
|    |    |       | Access   | 1     | Write access(es) occurred in this subregion   |
| N  | RW | SR13  | NoAccess | 0     | Subregion 13 in region 1 (write '1' to clear)<br>No write access occurred in this subregion |
|    |    |       | Access   | 1     | Write access(es) occurred in this subregion   |
| O  | RW | SR14  | NoAccess | 0     | Subregion 14 in region 1 (write '1' to clear)<br>No write access occurred in this subregion |
|    |    |       | Access   | 1     | Write access(es) occurred in this subregion   |
| P  | RW | SR15  | NoAccess | 0     | Subregion 15 in region 1 (write '1' to clear)<br>No write access occurred in this subregion |
|    |    |       | Access   | 1     | Write access(es) occurred in this subregion   |
| Q  | RW | SR16  | NoAccess | 0     | Subregion 16 in region 1 (write '1' to clear)<br>No write access occurred in this subregion |
|    |    |       | Access   | 1     | Write access(es) occurred in this subregion   |
| R  | RW | SR17  | NoAccess | 0     | Subregion 17 in region 1 (write '1' to clear)<br>No write access occurred in this subregion |
|    |    |       | Access   | 1     | Write access(es) occurred in this subregion   |
| S  | RW | SR18  | NoAccess | 0     | Subregion 18 in region 1 (write '1' to clear)<br>No write access occurred in this subregion |
|    |    |       | Access   | 1     | Write access(es) occurred in this subregion   |
| T  | RW | SR19  |          |       | Subregion 19 in region 1 (write '1' to clear)   |

| Bit number       | 31 30 29 28 27 26 25 24 23 22 21 20 19 18 17 16 15 14 13 12 11 10 9 8 7 6 5 4 3 2 1 0 |       |          |       |   |  |  |  |  |  |  |  |  |  |  |  |  |  |  |  |  |  |  |  |  |  |  |  |  |  |  |  |
|------------------|---|-------|----------|-------|---|--|--|--|--|--|--|--|--|--|--|--|--|--|--|--|--|--|--|--|--|--|--|--|--|--|--|--|
| Id               | f e d c b a Z Y X W V U T S R Q P O N M L K J I H G F E D C B A                       |       |          |       |   |  |  |  |  |  |  |  |  |  |  |  |  |  |  |  |  |  |  |  |  |  |  |  |  |  |  |  |
| Reset 0x00000000 | 0           |       |          |       |   |  |  |  |  |  |  |  |  |  |  |  |  |  |  |  |  |  |  |  |  |  |  |  |  |  |  |  |
| Id               | RW  | Field | Value Id | Value | Description                                   |  |  |  |  |  |  |  |  |  |  |  |  |  |  |  |  |  |  |  |  |  |  |  |  |  |  |  |
|                  |   |       | NoAccess | 0     | No write access occurred in this subregion    |  |  |  |  |  |  |  |  |  |  |  |  |  |  |  |  |  |  |  |  |  |  |  |  |  |  |  |
|                  |   |       | Access   | 1     | Write access(es) occurred in this subregion   |  |  |  |  |  |  |  |  |  |  |  |  |  |  |  |  |  |  |  |  |  |  |  |  |  |  |  |
| U                | RW  | SR20  | NoAccess | 0     | Subregion 20 in region 1 (write '1' to clear) |  |  |  |  |  |  |  |  |  |  |  |  |  |  |  |  |  |  |  |  |  |  |  |  |  |  |  |
|                  |   |       | Access   | 1     | Write access(es) occurred in this subregion   |  |  |  |  |  |  |  |  |  |  |  |  |  |  |  |  |  |  |  |  |  |  |  |  |  |  |  |
| V                | RW  | SR21  | NoAccess | 0     | Subregion 21 in region 1 (write '1' to clear) |  |  |  |  |  |  |  |  |  |  |  |  |  |  |  |  |  |  |  |  |  |  |  |  |  |  |  |
|                  |   |       | Access   | 1     | Write access(es) occurred in this subregion   |  |  |  |  |  |  |  |  |  |  |  |  |  |  |  |  |  |  |  |  |  |  |  |  |  |  |  |
| W                | RW  | SR22  | NoAccess | 0     | Subregion 22 in region 1 (write '1' to clear) |  |  |  |  |  |  |  |  |  |  |  |  |  |  |  |  |  |  |  |  |  |  |  |  |  |  |  |
|                  |   |       | Access   | 1     | Write access(es) occurred in this subregion   |  |  |  |  |  |  |  |  |  |  |  |  |  |  |  |  |  |  |  |  |  |  |  |  |  |  |  |
| X                | RW  | SR23  | NoAccess | 0     | Subregion 23 in region 1 (write '1' to clear) |  |  |  |  |  |  |  |  |  |  |  |  |  |  |  |  |  |  |  |  |  |  |  |  |  |  |  |
|                  |   |       | Access   | 1     | Write access(es) occurred in this subregion   |  |  |  |  |  |  |  |  |  |  |  |  |  |  |  |  |  |  |  |  |  |  |  |  |  |  |  |
| Y                | RW  | SR24  | NoAccess | 0     | Subregion 24 in region 1 (write '1' to clear) |  |  |  |  |  |  |  |  |  |  |  |  |  |  |  |  |  |  |  |  |  |  |  |  |  |  |  |
|                  |   |       | Access   | 1     | Write access(es) occurred in this subregion   |  |  |  |  |  |  |  |  |  |  |  |  |  |  |  |  |  |  |  |  |  |  |  |  |  |  |  |
| Z                | RW  | SR25  | NoAccess | 0     | Subregion 25 in region 1 (write '1' to clear) |  |  |  |  |  |  |  |  |  |  |  |  |  |  |  |  |  |  |  |  |  |  |  |  |  |  |  |
|                  |   |       | Access   | 1     | Write access(es) occurred in this subregion   |  |  |  |  |  |  |  |  |  |  |  |  |  |  |  |  |  |  |  |  |  |  |  |  |  |  |  |
| a                | RW  | SR26  | NoAccess | 0     | Subregion 26 in region 1 (write '1' to clear) |  |  |  |  |  |  |  |  |  |  |  |  |  |  |  |  |  |  |  |  |  |  |  |  |  |  |  |
|                  |   |       | Access   | 1     | Write access(es) occurred in this subregion   |  |  |  |  |  |  |  |  |  |  |  |  |  |  |  |  |  |  |  |  |  |  |  |  |  |  |  |
| b                | RW  | SR27  | NoAccess | 0     | Subregion 27 in region 1 (write '1' to clear) |  |  |  |  |  |  |  |  |  |  |  |  |  |  |  |  |  |  |  |  |  |  |  |  |  |  |  |
|                  |   |       | Access   | 1     | Write access(es) occurred in this subregion   |  |  |  |  |  |  |  |  |  |  |  |  |  |  |  |  |  |  |  |  |  |  |  |  |  |  |  |
| c                | RW  | SR28  | NoAccess | 0     | Subregion 28 in region 1 (write '1' to clear) |  |  |  |  |  |  |  |  |  |  |  |  |  |  |  |  |  |  |  |  |  |  |  |  |  |  |  |
|                  |   |       | Access   | 1     | Write access(es) occurred in this subregion   |  |  |  |  |  |  |  |  |  |  |  |  |  |  |  |  |  |  |  |  |  |  |  |  |  |  |  |
| d                | RW  | SR29  | NoAccess | 0     | Subregion 29 in region 1 (write '1' to clear) |  |  |  |  |  |  |  |  |  |  |  |  |  |  |  |  |  |  |  |  |  |  |  |  |  |  |  |
|                  |   |       | Access   | 1     | Write access(es) occurred in this subregion   |  |  |  |  |  |  |  |  |  |  |  |  |  |  |  |  |  |  |  |  |  |  |  |  |  |  |  |
| e                | RW  | SR30  | NoAccess | 0     | Subregion 30 in region 1 (write '1' to clear) |  |  |  |  |  |  |  |  |  |  |  |  |  |  |  |  |  |  |  |  |  |  |  |  |  |  |  |
|                  |   |       | Access   | 1     | Write access(es) occurred in this subregion   |  |  |  |  |  |  |  |  |  |  |  |  |  |  |  |  |  |  |  |  |  |  |  |  |  |  |  |
| f                | RW  | SR31  | NoAccess | 0     | Subregion 31 in region 1 (write '1' to clear) |  |  |  |  |  |  |  |  |  |  |  |  |  |  |  |  |  |  |  |  |  |  |  |  |  |  |  |
|                  |   |       | Access   | 1     | Write access(es) occurred in this subregion   |  |  |  |  |  |  |  |  |  |  |  |  |  |  |  |  |  |  |  |  |  |  |  |  |  |  |  |

### 45.1.10 PERREGION[1].SUBSTATRA

Address offset: 0x40C

Source of event/interrupt in region 1, read access detected while corresponding subregion was enabled for watching

| Bit number       | 31 30 29 28 27 26 25 24 23 22 21 20 19 18 17 16 15 14 13 12 11 10 9 8 7 6 5 4 3 2 1 0 |       |          |       |  |  |  |  |  |  |  |  |  |  |  |  |  |  |  |  |  |  |  |  |  |  |  |  |  |  |  |  |
|------------------|---|-------|----------|-------|--|--|--|--|--|--|--|--|--|--|--|--|--|--|--|--|--|--|--|--|--|--|--|--|--|--|--|--|
| Id               | f e d c b a Z Y X W V U T S R Q P O N M L K J I H G F E D C B A                       |       |          |       |  |  |  |  |  |  |  |  |  |  |  |  |  |  |  |  |  |  |  |  |  |  |  |  |  |  |  |  |
| Reset 0x00000000 | 0           |       |          |       |  |  |  |  |  |  |  |  |  |  |  |  |  |  |  |  |  |  |  |  |  |  |  |  |  |  |  |  |
| Id               | RW  | Field | Value Id | Value | Description                                  |  |  |  |  |  |  |  |  |  |  |  |  |  |  |  |  |  |  |  |  |  |  |  |  |  |  |  |
| A                | RW  | SR0   | NoAccess | 0     | Subregion 0 in region 1 (write '1' to clear) |  |  |  |  |  |  |  |  |  |  |  |  |  |  |  |  |  |  |  |  |  |  |  |  |  |  |  |
|                  |   |       | Access   | 1     | No read access occurred in this subregion    |  |  |  |  |  |  |  |  |  |  |  |  |  |  |  |  |  |  |  |  |  |  |  |  |  |  |  |
| B                | RW  | SR1   | NoAccess | 0     | Subregion 1 in region 1 (write '1' to clear) |  |  |  |  |  |  |  |  |  |  |  |  |  |  |  |  |  |  |  |  |  |  |  |  |  |  |  |
|                  |   |       | Access   | 1     | Read access(es) occurred in this subregion   |  |  |  |  |  |  |  |  |  |  |  |  |  |  |  |  |  |  |  |  |  |  |  |  |  |  |  |

|                  |    |    |    |    |    |    |    |    |    |    |    |    |    |    |    |    |    |    |    |    |    |    |   |   |   |   |   |   |   |   |   |   |
|------------------|----|----|----|----|----|----|----|----|----|----|----|----|----|----|----|----|----|----|----|----|----|----|---|---|---|---|---|---|---|---|---|---|
| Bit number       | 31 | 30 | 29 | 28 | 27 | 26 | 25 | 24 | 23 | 22 | 21 | 20 | 19 | 18 | 17 | 16 | 15 | 14 | 13 | 12 | 11 | 10 | 9 | 8 | 7 | 6 | 5 | 4 | 3 | 2 | 1 | 0 |
| Id               | f  | e  | d  | c  | b  | a  | Z  | Y  | X  | W  | V  | U  | T  | S  | R  | Q  | P  | O  | N  | M  | L  | K  | J | I | H | G | F | E | D | C | B | A |
| Reset 0x00000000 | 0  | 0  | 0  | 0  | 0  | 0  | 0  | 0  | 0  | 0  | 0  | 0  | 0  | 0  | 0  | 0  | 0  | 0  | 0  | 0  | 0  | 0  | 0 | 0 | 0 | 0 | 0 | 0 | 0 | 0 | 0 | 0 |

| Id | RW | Field | Value Id | Value | Description  |
|----|----|-------|----------|-------|--|
| C  | RW | SR2   | NoAccess | 0     | Subregion 2 in region 1 (write '1' to clear)<br>No read access occurred in this subregion  |
|    |    |       | Access   | 1     | Read access(es) occurred in this subregion   |
| D  | RW | SR3   | NoAccess | 0     | Subregion 3 in region 1 (write '1' to clear)<br>No read access occurred in this subregion  |
|    |    |       | Access   | 1     | Read access(es) occurred in this subregion   |
| E  | RW | SR4   | NoAccess | 0     | Subregion 4 in region 1 (write '1' to clear)<br>No read access occurred in this subregion  |
|    |    |       | Access   | 1     | Read access(es) occurred in this subregion   |
| F  | RW | SR5   | NoAccess | 0     | Subregion 5 in region 1 (write '1' to clear)<br>No read access occurred in this subregion  |
|    |    |       | Access   | 1     | Read access(es) occurred in this subregion   |
| G  | RW | SR6   | NoAccess | 0     | Subregion 6 in region 1 (write '1' to clear)<br>No read access occurred in this subregion  |
|    |    |       | Access   | 1     | Read access(es) occurred in this subregion   |
| H  | RW | SR7   | NoAccess | 0     | Subregion 7 in region 1 (write '1' to clear)<br>No read access occurred in this subregion  |
|    |    |       | Access   | 1     | Read access(es) occurred in this subregion   |
| I  | RW | SR8   | NoAccess | 0     | Subregion 8 in region 1 (write '1' to clear)<br>No read access occurred in this subregion  |
|    |    |       | Access   | 1     | Read access(es) occurred in this subregion   |
| J  | RW | SR9   | NoAccess | 0     | Subregion 9 in region 1 (write '1' to clear)<br>No read access occurred in this subregion  |
|    |    |       | Access   | 1     | Read access(es) occurred in this subregion   |
| K  | RW | SR10  | NoAccess | 0     | Subregion 10 in region 1 (write '1' to clear)<br>No read access occurred in this subregion |
|    |    |       | Access   | 1     | Read access(es) occurred in this subregion   |
| L  | RW | SR11  | NoAccess | 0     | Subregion 11 in region 1 (write '1' to clear)<br>No read access occurred in this subregion |
|    |    |       | Access   | 1     | Read access(es) occurred in this subregion   |
| M  | RW | SR12  | NoAccess | 0     | Subregion 12 in region 1 (write '1' to clear)<br>No read access occurred in this subregion |
|    |    |       | Access   | 1     | Read access(es) occurred in this subregion   |
| N  | RW | SR13  | NoAccess | 0     | Subregion 13 in region 1 (write '1' to clear)<br>No read access occurred in this subregion |
|    |    |       | Access   | 1     | Read access(es) occurred in this subregion   |
| O  | RW | SR14  | NoAccess | 0     | Subregion 14 in region 1 (write '1' to clear)<br>No read access occurred in this subregion |
|    |    |       | Access   | 1     | Read access(es) occurred in this subregion   |
| P  | RW | SR15  | NoAccess | 0     | Subregion 15 in region 1 (write '1' to clear)<br>No read access occurred in this subregion |
|    |    |       | Access   | 1     | Read access(es) occurred in this subregion   |
| Q  | RW | SR16  | NoAccess | 0     | Subregion 16 in region 1 (write '1' to clear)<br>No read access occurred in this subregion |
|    |    |       | Access   | 1     | Read access(es) occurred in this subregion   |
| R  | RW | SR17  | NoAccess | 0     | Subregion 17 in region 1 (write '1' to clear)<br>No read access occurred in this subregion |
|    |    |       | Access   | 1     | Read access(es) occurred in this subregion   |
| S  | RW | SR18  | NoAccess | 0     | Subregion 18 in region 1 (write '1' to clear)<br>No read access occurred in this subregion |
|    |    |       | Access   | 1     | Read access(es) occurred in this subregion   |
| T  | RW | SR19  | NoAccess | 0     | Subregion 19 in region 1 (write '1' to clear)<br>No read access occurred in this subregion |
|    |    |       | Access   | 1     | Read access(es) occurred in this subregion   |
| U  | RW | SR20  |          |       | Subregion 20 in region 1 (write '1' to clear)  |

| Bit number       | 31 30 29 28 27 26 25 24 23 22 21 20 19 18 17 16 15 14 13 12 11 10 9 8 7 6 5 4 3 2 1 0 |       |          |       |  |  |  |  |  |  |  |  |  |  |  |  |  |  |  |  |  |  |  |  |  |  |  |  |  |  |  |
|------------------|---|-------|----------|-------|--|--|--|--|--|--|--|--|--|--|--|--|--|--|--|--|--|--|--|--|--|--|--|--|--|--|--|
| Id               | f e d c b a Z Y X W V U T S R Q P O N M L K J I H G F E D C B A                       |       |          |       |  |  |  |  |  |  |  |  |  |  |  |  |  |  |  |  |  |  |  |  |  |  |  |  |  |  |  |
| Reset 0x00000000 | 0             |       |          |       |  |  |  |  |  |  |  |  |  |  |  |  |  |  |  |  |  |  |  |  |  |  |  |  |  |  |  |
| Id               | RW  | Field | Value Id | Value | Description                                |  |  |  |  |  |  |  |  |  |  |  |  |  |  |  |  |  |  |  |  |  |  |  |  |  |  |
|                  |   |       | NoAccess | 0     | No read access occurred in this subregion  |  |  |  |  |  |  |  |  |  |  |  |  |  |  |  |  |  |  |  |  |  |  |  |  |  |  |
|                  |   |       | Access   | 1     | Read access(es) occurred in this subregion |  |  |  |  |  |  |  |  |  |  |  |  |  |  |  |  |  |  |  |  |  |  |  |  |  |  |
| V                | RW  | SR21  | NoAccess | 0     | No read access occurred in this subregion  |  |  |  |  |  |  |  |  |  |  |  |  |  |  |  |  |  |  |  |  |  |  |  |  |  |  |
|                  |   |       | Access   | 1     | Read access(es) occurred in this subregion |  |  |  |  |  |  |  |  |  |  |  |  |  |  |  |  |  |  |  |  |  |  |  |  |  |  |
| W                | RW  | SR22  | NoAccess | 0     | No read access occurred in this subregion  |  |  |  |  |  |  |  |  |  |  |  |  |  |  |  |  |  |  |  |  |  |  |  |  |  |  |
|                  |   |       | Access   | 1     | Read access(es) occurred in this subregion |  |  |  |  |  |  |  |  |  |  |  |  |  |  |  |  |  |  |  |  |  |  |  |  |  |  |
| X                | RW  | SR23  | NoAccess | 0     | No read access occurred in this subregion  |  |  |  |  |  |  |  |  |  |  |  |  |  |  |  |  |  |  |  |  |  |  |  |  |  |  |
|                  |   |       | Access   | 1     | Read access(es) occurred in this subregion |  |  |  |  |  |  |  |  |  |  |  |  |  |  |  |  |  |  |  |  |  |  |  |  |  |  |
| Y                | RW  | SR24  | NoAccess | 0     | No read access occurred in this subregion  |  |  |  |  |  |  |  |  |  |  |  |  |  |  |  |  |  |  |  |  |  |  |  |  |  |  |
|                  |   |       | Access   | 1     | Read access(es) occurred in this subregion |  |  |  |  |  |  |  |  |  |  |  |  |  |  |  |  |  |  |  |  |  |  |  |  |  |  |
| Z                | RW  | SR25  | NoAccess | 0     | No read access occurred in this subregion  |  |  |  |  |  |  |  |  |  |  |  |  |  |  |  |  |  |  |  |  |  |  |  |  |  |  |
|                  |   |       | Access   | 1     | Read access(es) occurred in this subregion |  |  |  |  |  |  |  |  |  |  |  |  |  |  |  |  |  |  |  |  |  |  |  |  |  |  |
| a                | RW  | SR26  | NoAccess | 0     | No read access occurred in this subregion  |  |  |  |  |  |  |  |  |  |  |  |  |  |  |  |  |  |  |  |  |  |  |  |  |  |  |
|                  |   |       | Access   | 1     | Read access(es) occurred in this subregion |  |  |  |  |  |  |  |  |  |  |  |  |  |  |  |  |  |  |  |  |  |  |  |  |  |  |
| b                | RW  | SR27  | NoAccess | 0     | No read access occurred in this subregion  |  |  |  |  |  |  |  |  |  |  |  |  |  |  |  |  |  |  |  |  |  |  |  |  |  |  |
|                  |   |       | Access   | 1     | Read access(es) occurred in this subregion |  |  |  |  |  |  |  |  |  |  |  |  |  |  |  |  |  |  |  |  |  |  |  |  |  |  |
| c                | RW  | SR28  | NoAccess | 0     | No read access occurred in this subregion  |  |  |  |  |  |  |  |  |  |  |  |  |  |  |  |  |  |  |  |  |  |  |  |  |  |  |
|                  |   |       | Access   | 1     | Read access(es) occurred in this subregion |  |  |  |  |  |  |  |  |  |  |  |  |  |  |  |  |  |  |  |  |  |  |  |  |  |  |
| d                | RW  | SR29  | NoAccess | 0     | No read access occurred in this subregion  |  |  |  |  |  |  |  |  |  |  |  |  |  |  |  |  |  |  |  |  |  |  |  |  |  |  |
|                  |   |       | Access   | 1     | Read access(es) occurred in this subregion |  |  |  |  |  |  |  |  |  |  |  |  |  |  |  |  |  |  |  |  |  |  |  |  |  |  |
| e                | RW  | SR30  | NoAccess | 0     | No read access occurred in this subregion  |  |  |  |  |  |  |  |  |  |  |  |  |  |  |  |  |  |  |  |  |  |  |  |  |  |  |
|                  |   |       | Access   | 1     | Read access(es) occurred in this subregion |  |  |  |  |  |  |  |  |  |  |  |  |  |  |  |  |  |  |  |  |  |  |  |  |  |  |
| f                | RW  | SR31  | NoAccess | 0     | No read access occurred in this subregion  |  |  |  |  |  |  |  |  |  |  |  |  |  |  |  |  |  |  |  |  |  |  |  |  |  |  |
|                  |   |       | Access   | 1     | Read access(es) occurred in this subregion |  |  |  |  |  |  |  |  |  |  |  |  |  |  |  |  |  |  |  |  |  |  |  |  |  |  |

### 45.1.11 REGIONEN

Address offset: 0x510

Enable/disable regions watch

| Bit number       | 31 30 29 28 27 26 25 24 23 22 21 20 19 18 17 16 15 14 13 12 11 10 9 8 7 6 5 4 3 2 1 0 |        |          |       |  |  |  |  |  |  |  |  |  |  |  |  |  |  |  |  |  |  |  |  |  |  |  |  |  |  |  |
|------------------|---|--------|----------|-------|--|--|--|--|--|--|--|--|--|--|--|--|--|--|--|--|--|--|--|--|--|--|--|--|--|--|--|
| Id               | L K J I H G F E D C B A   |        |          |       |  |  |  |  |  |  |  |  |  |  |  |  |  |  |  |  |  |  |  |  |  |  |  |  |  |  |  |
| Reset 0x00000000 | 0                   |        |          |       |  |  |  |  |  |  |  |  |  |  |  |  |  |  |  |  |  |  |  |  |  |  |  |  |  |  |  |
| Id               | RW  | Field  | Value Id | Value | Description                                    |  |  |  |  |  |  |  |  |  |  |  |  |  |  |  |  |  |  |  |  |  |  |  |  |  |  |
| A                | RW  | RGN0WA | Disable  | 0     | Enable/disable write access watch in region[0] |  |  |  |  |  |  |  |  |  |  |  |  |  |  |  |  |  |  |  |  |  |  |  |  |  |  |
|                  |   |        | Enable   | 1     | Disable write access watch in this region      |  |  |  |  |  |  |  |  |  |  |  |  |  |  |  |  |  |  |  |  |  |  |  |  |  |  |
| B                | RW  | RGN0RA | Disable  | 0     | Enable/disable read access watch in region[0]  |  |  |  |  |  |  |  |  |  |  |  |  |  |  |  |  |  |  |  |  |  |  |  |  |  |  |
|                  |   |        | Enable   | 1     | Disable read access watch in this region       |  |  |  |  |  |  |  |  |  |  |  |  |  |  |  |  |  |  |  |  |  |  |  |  |  |  |
| C                | RW  | RGN1WA | Disable  | 0     | Enable/disable write access watch in region[1] |  |  |  |  |  |  |  |  |  |  |  |  |  |  |  |  |  |  |  |  |  |  |  |  |  |  |
|                  |   |        | Enable   | 1     | Disable write access watch in this region      |  |  |  |  |  |  |  |  |  |  |  |  |  |  |  |  |  |  |  |  |  |  |  |  |  |  |
| D                | RW  | RGN1RA | Disable  | 0     | Enable/disable read access watch in region[1]  |  |  |  |  |  |  |  |  |  |  |  |  |  |  |  |  |  |  |  |  |  |  |  |  |  |  |
|                  |   |        | Enable   | 1     | Disable read access watch in this region       |  |  |  |  |  |  |  |  |  |  |  |  |  |  |  |  |  |  |  |  |  |  |  |  |  |  |

| Bit number       | 31 30 29 28 27 26 25 24 23 22 21 20 19 18 17 16 15 14 13 12 11 10 9 8 7 6 5 4 3 2 1 0 |  |          |       |  |  |  |   |  |  |  |  |  |  |  |  |                 |  |  |  |  |  |  |  |  |  |  |  |  |  |  |
|------------------|---|--|----------|-------|--|--|--|---|--|--|--|--|--|--|--|--|-----------------|--|--|--|--|--|--|--|--|--|--|--|--|--|--|
| Id               | L K J I   |  |          |       |  |  |  |   |  |  |  |  |  |  |  |  | H G F E D C B A |  |  |  |  |  |  |  |  |  |  |  |  |  |  |
| Reset 0x00000000 | 0             |  |          |       |  |  |  |   |  |  |  |  |  |  |  |  |                 |  |  |  |  |  |  |  |  |  |  |  |  |  |  |
| Id               | RW  | Field                                      | Value Id | Value | Description                                    |  |  |   |  |  |  |  |  |  |  |  |                 |  |  |  |  |  |  |  |  |  |  |  |  |  |  |
|                  |   |  | Disable  | 0     | Disable read access watch in this region       |  |  |   |  |  |  |  |  |  |  |  |                 |  |  |  |  |  |  |  |  |  |  |  |  |  |  |
|                  |   |  | Enable   | 1     | Enable read access watch in this region        |  |  |   |  |  |  |  |  |  |  |  |                 |  |  |  |  |  |  |  |  |  |  |  |  |  |  |
| E                | RW  | RGN2WA                                     |          |       | Enable/disable write access watch in region[2] |  |  |   |  |  |  |  |  |  |  |  |                 |  |  |  |  |  |  |  |  |  |  |  |  |  |  |
|                  |   |  | Disable  | 0     | Disable write access watch in this region      |  |  |   |  |  |  |  |  |  |  |  |                 |  |  |  |  |  |  |  |  |  |  |  |  |  |  |
|                  |   |  | Enable   | 1     | Enable write access watch in this region       |  |  |   |  |  |  |  |  |  |  |  |                 |  |  |  |  |  |  |  |  |  |  |  |  |  |  |
|                  |   |  | F        | RW    | RGN2RA   |  |  | Enable/disable read access watch in region[2]   |  |  |  |  |  |  |  |  |                 |  |  |  |  |  |  |  |  |  |  |  |  |  |  |
| Disable          | 0   | Disable read access watch in this region   |          |       |  |  |  |   |  |  |  |  |  |  |  |  |                 |  |  |  |  |  |  |  |  |  |  |  |  |  |  |
|                  |   |  | Enable   | 1     | Enable read access watch in this region        |  |  |   |  |  |  |  |  |  |  |  |                 |  |  |  |  |  |  |  |  |  |  |  |  |  |  |
|                  |   |  | G        | RW    | RGN3WA   |  |  | Enable/disable write access watch in region[3]  |  |  |  |  |  |  |  |  |                 |  |  |  |  |  |  |  |  |  |  |  |  |  |  |
| Disable          | 0   | Disable write access watch in this region  |          |       |  |  |  |   |  |  |  |  |  |  |  |  |                 |  |  |  |  |  |  |  |  |  |  |  |  |  |  |
|                  |   |  | Enable   | 1     | Enable write access watch in this region       |  |  |   |  |  |  |  |  |  |  |  |                 |  |  |  |  |  |  |  |  |  |  |  |  |  |  |
|                  |   |  | H        | RW    | RGN3RA   |  |  | Enable/disable read access watch in region[3]   |  |  |  |  |  |  |  |  |                 |  |  |  |  |  |  |  |  |  |  |  |  |  |  |
| Disable          | 0   | Disable read access watch in this region   |          |       |  |  |  |   |  |  |  |  |  |  |  |  |                 |  |  |  |  |  |  |  |  |  |  |  |  |  |  |
|                  |   |  | Enable   | 1     | Enable read access watch in this region        |  |  |   |  |  |  |  |  |  |  |  |                 |  |  |  |  |  |  |  |  |  |  |  |  |  |  |
|                  |   |  | I        | RW    | PRGN0WA  |  |  | Enable/disable write access watch in PREGION[0] |  |  |  |  |  |  |  |  |                 |  |  |  |  |  |  |  |  |  |  |  |  |  |  |
| Disable          | 0   | Disable write access watch in this PREGION |          |       |  |  |  |   |  |  |  |  |  |  |  |  |                 |  |  |  |  |  |  |  |  |  |  |  |  |  |  |
|                  |   |  | Enable   | 1     | Enable write access watch in this PREGION      |  |  |   |  |  |  |  |  |  |  |  |                 |  |  |  |  |  |  |  |  |  |  |  |  |  |  |
|                  |   |  | J        | RW    | PRGN0RA  |  |  | Enable/disable read access watch in PREGION[0]  |  |  |  |  |  |  |  |  |                 |  |  |  |  |  |  |  |  |  |  |  |  |  |  |
| Disable          | 0   | Disable read access watch in this PREGION  |          |       |  |  |  |   |  |  |  |  |  |  |  |  |                 |  |  |  |  |  |  |  |  |  |  |  |  |  |  |
|                  |   |  | Enable   | 1     | Enable read access watch in this PREGION       |  |  |   |  |  |  |  |  |  |  |  |                 |  |  |  |  |  |  |  |  |  |  |  |  |  |  |
|                  |   |  | K        | RW    | PRGN1WA  |  |  | Enable/disable write access watch in PREGION[1] |  |  |  |  |  |  |  |  |                 |  |  |  |  |  |  |  |  |  |  |  |  |  |  |
| Disable          | 0   | Disable write access watch in this PREGION |          |       |  |  |  |   |  |  |  |  |  |  |  |  |                 |  |  |  |  |  |  |  |  |  |  |  |  |  |  |
|                  |   |  | Enable   | 1     | Enable write access watch in this PREGION      |  |  |   |  |  |  |  |  |  |  |  |                 |  |  |  |  |  |  |  |  |  |  |  |  |  |  |
|                  |   |  | L        | RW    | PRGN1RA  |  |  | Enable/disable read access watch in PREGION[1]  |  |  |  |  |  |  |  |  |                 |  |  |  |  |  |  |  |  |  |  |  |  |  |  |
| Disable          | 0   | Disable read access watch in this PREGION  |          |       |  |  |  |   |  |  |  |  |  |  |  |  |                 |  |  |  |  |  |  |  |  |  |  |  |  |  |  |
|                  |   |  | Enable   | 1     | Enable read access watch in this PREGION       |  |  |   |  |  |  |  |  |  |  |  |                 |  |  |  |  |  |  |  |  |  |  |  |  |  |  |

### 45.1.12 REGIONENSET

Address offset: 0x514

Enable regions watch

| Bit number       | 31 30 29 28 27 26 25 24 23 22 21 20 19 18 17 16 15 14 13 12 11 10 9 8 7 6 5 4 3 2 1 0 |   |          |       |   |     |   |  |  |  |  |  |  |  |  |  |                 |  |  |  |  |  |  |  |  |  |  |  |  |  |  |
|------------------|---|---|----------|-------|---|-----|---|--|--|--|--|--|--|--|--|--|-----------------|--|--|--|--|--|--|--|--|--|--|--|--|--|--|
| Id               | L K J I   |   |          |       |   |     |   |  |  |  |  |  |  |  |  |  | H G F E D C B A |  |  |  |  |  |  |  |  |  |  |  |  |  |  |
| Reset 0x00000000 | 0             |   |          |       |   |     |   |  |  |  |  |  |  |  |  |  |                 |  |  |  |  |  |  |  |  |  |  |  |  |  |  |
| Id               | RW  | Field   | Value Id | Value | Description                                   |     |   |  |  |  |  |  |  |  |  |  |                 |  |  |  |  |  |  |  |  |  |  |  |  |  |  |
| A                | RW  | RGN0WA  |          |       | Enable write access watch in region[0]        |     |   |  |  |  |  |  |  |  |  |  |                 |  |  |  |  |  |  |  |  |  |  |  |  |  |  |
|                  |   |   | Set      | 1     | Enable write access watch in this region      |     |   |  |  |  |  |  |  |  |  |  |                 |  |  |  |  |  |  |  |  |  |  |  |  |  |  |
|                  |   |   | Disabled | 0     | Write access watch in this region is disabled |     |   |  |  |  |  |  |  |  |  |  |                 |  |  |  |  |  |  |  |  |  |  |  |  |  |  |
|                  |   |   | Enabled  | 1     | Write access watch in this region is enabled  |     |   |  |  |  |  |  |  |  |  |  |                 |  |  |  |  |  |  |  |  |  |  |  |  |  |  |
|                  |   |   | B        | RW    | RGN0RA  |     |   | Enable read access watch in region[0]    |  |  |  |  |  |  |  |  |                 |  |  |  |  |  |  |  |  |  |  |  |  |  |  |
|                  |   |   |          |       |   | Set | 1 | Enable read access watch in this region  |  |  |  |  |  |  |  |  |                 |  |  |  |  |  |  |  |  |  |  |  |  |  |  |
| Disabled         | 0   | Read access watch in this region is disabled  |          |       |   |     |   |  |  |  |  |  |  |  |  |  |                 |  |  |  |  |  |  |  |  |  |  |  |  |  |  |
|                  |   |   | Enabled  | 1     | Read access watch in this region is enabled   |     |   |  |  |  |  |  |  |  |  |  |                 |  |  |  |  |  |  |  |  |  |  |  |  |  |  |
|                  |   |   | C        | RW    | RGN1WA  |     |   | Enable write access watch in region[1]   |  |  |  |  |  |  |  |  |                 |  |  |  |  |  |  |  |  |  |  |  |  |  |  |
|                  |   |   |          |       |   | Set | 1 | Enable write access watch in this region |  |  |  |  |  |  |  |  |                 |  |  |  |  |  |  |  |  |  |  |  |  |  |  |
| Disabled         | 0   | Write access watch in this region is disabled |          |       |   |     |   |  |  |  |  |  |  |  |  |  |                 |  |  |  |  |  |  |  |  |  |  |  |  |  |  |
|                  |   |   | Enabled  | 1     | Write access watch in this region is enabled  |     |   |  |  |  |  |  |  |  |  |  |                 |  |  |  |  |  |  |  |  |  |  |  |  |  |  |
|                  |   |   | D        | RW    | RGN1RA  |     |   | Enable read access watch in region[1]    |  |  |  |  |  |  |  |  |                 |  |  |  |  |  |  |  |  |  |  |  |  |  |  |
|                  |   |   |          |       |   | Set | 1 | Enable read access watch in this region  |  |  |  |  |  |  |  |  |                 |  |  |  |  |  |  |  |  |  |  |  |  |  |  |
| Disabled         | 0   | Read access watch in this region is disabled  |          |       |   |     |   |  |  |  |  |  |  |  |  |  |                 |  |  |  |  |  |  |  |  |  |  |  |  |  |  |
|                  |   |   | Enabled  | 1     | Read access watch in this region is enabled   |     |   |  |  |  |  |  |  |  |  |  |                 |  |  |  |  |  |  |  |  |  |  |  |  |  |  |
|                  |   |   | E        | RW    | RGN2WA  |     |   | Enable write access watch in region[2]   |  |  |  |  |  |  |  |  |                 |  |  |  |  |  |  |  |  |  |  |  |  |  |  |
|                  |   |   |          |       |   | Set | 1 | Enable write access watch in this region |  |  |  |  |  |  |  |  |                 |  |  |  |  |  |  |  |  |  |  |  |  |  |  |
| Disabled         | 0   | Write access watch in this region is disabled |          |       |   |     |   |  |  |  |  |  |  |  |  |  |                 |  |  |  |  |  |  |  |  |  |  |  |  |  |  |



| Bit number       | 31 30 29 28 27 26 25 24 23 22 21 20 19 18 17 16 15 14 13 12 11 10 9 8 7 6 5 4 3 2 1 0 |         |          |       |  |  |  |  |  |  |  |  |  |  |  |  |                 |  |  |  |  |  |  |  |  |  |  |  |  |  |  |
|------------------|---|---------|----------|-------|--|--|--|--|--|--|--|--|--|--|--|--|-----------------|--|--|--|--|--|--|--|--|--|--|--|--|--|--|
| Id               | L K J I   |         |          |       |  |  |  |  |  |  |  |  |  |  |  |  | H G F E D C B A |  |  |  |  |  |  |  |  |  |  |  |  |  |  |
| Reset 0x00000000 | 0             |         |          |       |  |  |  |  |  |  |  |  |  |  |  |  |                 |  |  |  |  |  |  |  |  |  |  |  |  |  |  |
| Id               | RW  | Field   | Value Id | Value | Description                                    |  |  |  |  |  |  |  |  |  |  |  |                 |  |  |  |  |  |  |  |  |  |  |  |  |  |  |
|                  |   |         | Enabled  | 1     | Write access watch in this region is enabled   |  |  |  |  |  |  |  |  |  |  |  |                 |  |  |  |  |  |  |  |  |  |  |  |  |  |  |
| F                | RW  | RGN2RA  | Set      | 1     | Enable read access watch in region[2]          |  |  |  |  |  |  |  |  |  |  |  |                 |  |  |  |  |  |  |  |  |  |  |  |  |  |  |
|                  |   |         | Disabled | 0     | Read access watch in this region is disabled   |  |  |  |  |  |  |  |  |  |  |  |                 |  |  |  |  |  |  |  |  |  |  |  |  |  |  |
|                  |   |         | Enabled  | 1     | Read access watch in this region is enabled    |  |  |  |  |  |  |  |  |  |  |  |                 |  |  |  |  |  |  |  |  |  |  |  |  |  |  |
| G                | RW  | RGN3WA  | Set      | 1     | Enable write access watch in region[3]         |  |  |  |  |  |  |  |  |  |  |  |                 |  |  |  |  |  |  |  |  |  |  |  |  |  |  |
|                  |   |         | Disabled | 0     | Write access watch in this region is disabled  |  |  |  |  |  |  |  |  |  |  |  |                 |  |  |  |  |  |  |  |  |  |  |  |  |  |  |
|                  |   |         | Enabled  | 1     | Write access watch in this region is enabled   |  |  |  |  |  |  |  |  |  |  |  |                 |  |  |  |  |  |  |  |  |  |  |  |  |  |  |
| H                | RW  | RGN3RA  | Set      | 1     | Enable read access watch in region[3]          |  |  |  |  |  |  |  |  |  |  |  |                 |  |  |  |  |  |  |  |  |  |  |  |  |  |  |
|                  |   |         | Disabled | 0     | Read access watch in this region is disabled   |  |  |  |  |  |  |  |  |  |  |  |                 |  |  |  |  |  |  |  |  |  |  |  |  |  |  |
|                  |   |         | Enabled  | 1     | Read access watch in this region is enabled    |  |  |  |  |  |  |  |  |  |  |  |                 |  |  |  |  |  |  |  |  |  |  |  |  |  |  |
| I                | RW  | PRGN0WA | Set      | 1     | Enable write access watch in PREGION[0]        |  |  |  |  |  |  |  |  |  |  |  |                 |  |  |  |  |  |  |  |  |  |  |  |  |  |  |
|                  |   |         | Disabled | 0     | Write access watch in this PREGION is disabled |  |  |  |  |  |  |  |  |  |  |  |                 |  |  |  |  |  |  |  |  |  |  |  |  |  |  |
|                  |   |         | Enabled  | 1     | Write access watch in this PREGION is enabled  |  |  |  |  |  |  |  |  |  |  |  |                 |  |  |  |  |  |  |  |  |  |  |  |  |  |  |
| J                | RW  | PRGN0RA | Set      | 1     | Enable read access watch in PREGION[0]         |  |  |  |  |  |  |  |  |  |  |  |                 |  |  |  |  |  |  |  |  |  |  |  |  |  |  |
|                  |   |         | Disabled | 0     | Read access watch in this PREGION is disabled  |  |  |  |  |  |  |  |  |  |  |  |                 |  |  |  |  |  |  |  |  |  |  |  |  |  |  |
|                  |   |         | Enabled  | 1     | Read access watch in this PREGION is enabled   |  |  |  |  |  |  |  |  |  |  |  |                 |  |  |  |  |  |  |  |  |  |  |  |  |  |  |
| K                | RW  | PRGN1WA | Set      | 1     | Enable write access watch in PREGION[1]        |  |  |  |  |  |  |  |  |  |  |  |                 |  |  |  |  |  |  |  |  |  |  |  |  |  |  |
|                  |   |         | Disabled | 0     | Write access watch in this PREGION is disabled |  |  |  |  |  |  |  |  |  |  |  |                 |  |  |  |  |  |  |  |  |  |  |  |  |  |  |
|                  |   |         | Enabled  | 1     | Write access watch in this PREGION is enabled  |  |  |  |  |  |  |  |  |  |  |  |                 |  |  |  |  |  |  |  |  |  |  |  |  |  |  |
| L                | RW  | PRGN1RA | Set      | 1     | Enable read access watch in PREGION[1]         |  |  |  |  |  |  |  |  |  |  |  |                 |  |  |  |  |  |  |  |  |  |  |  |  |  |  |
|                  |   |         | Disabled | 0     | Read access watch in this PREGION is disabled  |  |  |  |  |  |  |  |  |  |  |  |                 |  |  |  |  |  |  |  |  |  |  |  |  |  |  |
|                  |   |         | Enabled  | 1     | Read access watch in this PREGION is enabled   |  |  |  |  |  |  |  |  |  |  |  |                 |  |  |  |  |  |  |  |  |  |  |  |  |  |  |

### 45.1.13 REGIONENCLR

Address offset: 0x518

Disable regions watch

| Bit number       | 31 30 29 28 27 26 25 24 23 22 21 20 19 18 17 16 15 14 13 12 11 10 9 8 7 6 5 4 3 2 1 0 |        |          |       |   |  |  |  |  |  |  |  |  |  |  |  |                 |  |  |  |  |  |  |  |  |  |  |  |  |  |  |
|------------------|---|--------|----------|-------|---|--|--|--|--|--|--|--|--|--|--|--|-----------------|--|--|--|--|--|--|--|--|--|--|--|--|--|--|
| Id               | L K J I   |        |          |       |   |  |  |  |  |  |  |  |  |  |  |  | H G F E D C B A |  |  |  |  |  |  |  |  |  |  |  |  |  |  |
| Reset 0x00000000 | 0             |        |          |       |   |  |  |  |  |  |  |  |  |  |  |  |                 |  |  |  |  |  |  |  |  |  |  |  |  |  |  |
| Id               | RW  | Field  | Value Id | Value | Description                                   |  |  |  |  |  |  |  |  |  |  |  |                 |  |  |  |  |  |  |  |  |  |  |  |  |  |  |
| A                | RW  | RGN0WA | Clear    | 1     | Disable write access watch in region[0]       |  |  |  |  |  |  |  |  |  |  |  |                 |  |  |  |  |  |  |  |  |  |  |  |  |  |  |
|                  |   |        | Disabled | 0     | Write access watch in this region is disabled |  |  |  |  |  |  |  |  |  |  |  |                 |  |  |  |  |  |  |  |  |  |  |  |  |  |  |
|                  |   |        | Enabled  | 1     | Write access watch in this region is enabled  |  |  |  |  |  |  |  |  |  |  |  |                 |  |  |  |  |  |  |  |  |  |  |  |  |  |  |
| B                | RW  | RGN0RA | Clear    | 1     | Disable read access watch in region[0]        |  |  |  |  |  |  |  |  |  |  |  |                 |  |  |  |  |  |  |  |  |  |  |  |  |  |  |
|                  |   |        | Disabled | 0     | Read access watch in this region is disabled  |  |  |  |  |  |  |  |  |  |  |  |                 |  |  |  |  |  |  |  |  |  |  |  |  |  |  |
|                  |   |        | Enabled  | 1     | Read access watch in this region is enabled   |  |  |  |  |  |  |  |  |  |  |  |                 |  |  |  |  |  |  |  |  |  |  |  |  |  |  |
| C                | RW  | RGN1WA | Clear    | 1     | Disable write access watch in region[1]       |  |  |  |  |  |  |  |  |  |  |  |                 |  |  |  |  |  |  |  |  |  |  |  |  |  |  |
|                  |   |        | Disabled | 0     | Write access watch in this region is disabled |  |  |  |  |  |  |  |  |  |  |  |                 |  |  |  |  |  |  |  |  |  |  |  |  |  |  |
|                  |   |        | Enabled  | 1     | Write access watch in this region is enabled  |  |  |  |  |  |  |  |  |  |  |  |                 |  |  |  |  |  |  |  |  |  |  |  |  |  |  |
| D                | RW  | RGN1RA | Clear    | 1     | Disable read access watch in region[1]        |  |  |  |  |  |  |  |  |  |  |  |                 |  |  |  |  |  |  |  |  |  |  |  |  |  |  |
|                  |   |        | Disabled | 0     | Read access watch in this region is disabled  |  |  |  |  |  |  |  |  |  |  |  |                 |  |  |  |  |  |  |  |  |  |  |  |  |  |  |
|                  |   |        | Enabled  | 1     | Read access watch in this region is enabled   |  |  |  |  |  |  |  |  |  |  |  |                 |  |  |  |  |  |  |  |  |  |  |  |  |  |  |

| Bit number       | 31 30 29 28 27 26 25 24 23 22 21 20 19 18 17 16 15 14 13 12 11 10 9 8 7 6 5 4 3 2 1 0 |         |          |    |  |             |  |  |  |  |  |  |  |  |  |  |  |  |  |  |                 |  |  |  |  |  |  |  |  |  |  |
|------------------|---|---------|----------|----|--|-------------|--|--|--|--|--|--|--|--|--|--|--|--|--|--|-----------------|--|--|--|--|--|--|--|--|--|--|
| Id               | L K J I   |         |          |    |  |             |  |  |  |  |  |  |  |  |  |  |  |  |  |  | H G F E D C B A |  |  |  |  |  |  |  |  |  |  |
| Reset 0x00000000 | 0             |         |          |    |  |             |  |  |  |  |  |  |  |  |  |  |  |  |  |  |                 |  |  |  |  |  |  |  |  |  |  |
| Id               | RW  | Field   | Value    | Id | Value  | Description |  |  |  |  |  |  |  |  |  |  |  |  |  |  |                 |  |  |  |  |  |  |  |  |  |  |
| E                | RW  | RGN2WA  | Clear    | 1  | Disable write access watch in this region      |             |  |  |  |  |  |  |  |  |  |  |  |  |  |  |                 |  |  |  |  |  |  |  |  |  |  |
|                  |   |         | Disabled | 0  | Write access watch in this region is disabled  |             |  |  |  |  |  |  |  |  |  |  |  |  |  |  |                 |  |  |  |  |  |  |  |  |  |  |
|                  |   |         | Enabled  | 1  | Write access watch in this region is enabled   |             |  |  |  |  |  |  |  |  |  |  |  |  |  |  |                 |  |  |  |  |  |  |  |  |  |  |
| F                | RW  | RGN2RA  | Clear    | 1  | Disable read access watch in this region       |             |  |  |  |  |  |  |  |  |  |  |  |  |  |  |                 |  |  |  |  |  |  |  |  |  |  |
|                  |   |         | Disabled | 0  | Read access watch in this region is disabled   |             |  |  |  |  |  |  |  |  |  |  |  |  |  |  |                 |  |  |  |  |  |  |  |  |  |  |
|                  |   |         | Enabled  | 1  | Read access watch in this region is enabled    |             |  |  |  |  |  |  |  |  |  |  |  |  |  |  |                 |  |  |  |  |  |  |  |  |  |  |
| G                | RW  | RGN3WA  | Clear    | 1  | Disable write access watch in this region      |             |  |  |  |  |  |  |  |  |  |  |  |  |  |  |                 |  |  |  |  |  |  |  |  |  |  |
|                  |   |         | Disabled | 0  | Write access watch in this region is disabled  |             |  |  |  |  |  |  |  |  |  |  |  |  |  |  |                 |  |  |  |  |  |  |  |  |  |  |
|                  |   |         | Enabled  | 1  | Write access watch in this region is enabled   |             |  |  |  |  |  |  |  |  |  |  |  |  |  |  |                 |  |  |  |  |  |  |  |  |  |  |
| H                | RW  | RGN3RA  | Clear    | 1  | Disable read access watch in this region       |             |  |  |  |  |  |  |  |  |  |  |  |  |  |  |                 |  |  |  |  |  |  |  |  |  |  |
|                  |   |         | Disabled | 0  | Read access watch in this region is disabled   |             |  |  |  |  |  |  |  |  |  |  |  |  |  |  |                 |  |  |  |  |  |  |  |  |  |  |
|                  |   |         | Enabled  | 1  | Read access watch in this region is enabled    |             |  |  |  |  |  |  |  |  |  |  |  |  |  |  |                 |  |  |  |  |  |  |  |  |  |  |
| I                | RW  | PRGN0WA | Clear    | 1  | Disable write access watch in this PREGION     |             |  |  |  |  |  |  |  |  |  |  |  |  |  |  |                 |  |  |  |  |  |  |  |  |  |  |
|                  |   |         | Disabled | 0  | Write access watch in this PREGION is disabled |             |  |  |  |  |  |  |  |  |  |  |  |  |  |  |                 |  |  |  |  |  |  |  |  |  |  |
|                  |   |         | Enabled  | 1  | Write access watch in this PREGION is enabled  |             |  |  |  |  |  |  |  |  |  |  |  |  |  |  |                 |  |  |  |  |  |  |  |  |  |  |
| J                | RW  | PRGN0RA | Clear    | 1  | Disable read access watch in this PREGION      |             |  |  |  |  |  |  |  |  |  |  |  |  |  |  |                 |  |  |  |  |  |  |  |  |  |  |
|                  |   |         | Disabled | 0  | Read access watch in this PREGION is disabled  |             |  |  |  |  |  |  |  |  |  |  |  |  |  |  |                 |  |  |  |  |  |  |  |  |  |  |
|                  |   |         | Enabled  | 1  | Read access watch in this PREGION is enabled   |             |  |  |  |  |  |  |  |  |  |  |  |  |  |  |                 |  |  |  |  |  |  |  |  |  |  |
| K                | RW  | PRGN1WA | Clear    | 1  | Disable write access watch in this PREGION     |             |  |  |  |  |  |  |  |  |  |  |  |  |  |  |                 |  |  |  |  |  |  |  |  |  |  |
|                  |   |         | Disabled | 0  | Write access watch in this PREGION is disabled |             |  |  |  |  |  |  |  |  |  |  |  |  |  |  |                 |  |  |  |  |  |  |  |  |  |  |
|                  |   |         | Enabled  | 1  | Write access watch in this PREGION is enabled  |             |  |  |  |  |  |  |  |  |  |  |  |  |  |  |                 |  |  |  |  |  |  |  |  |  |  |
| L                | RW  | PRGN1RA | Clear    | 1  | Disable read access watch in this PREGION      |             |  |  |  |  |  |  |  |  |  |  |  |  |  |  |                 |  |  |  |  |  |  |  |  |  |  |
|                  |   |         | Disabled | 0  | Read access watch in this PREGION is disabled  |             |  |  |  |  |  |  |  |  |  |  |  |  |  |  |                 |  |  |  |  |  |  |  |  |  |  |
|                  |   |         | Enabled  | 1  | Read access watch in this PREGION is enabled   |             |  |  |  |  |  |  |  |  |  |  |  |  |  |  |                 |  |  |  |  |  |  |  |  |  |  |

### 45.1.14 REGION[0].START

Address offset: 0x600

Start address for region 0

| Bit number       | 31 30 29 28 27 26 25 24 23 22 21 20 19 18 17 16 15 14 13 12 11 10 9 8 7 6 5 4 3 2 1 0 |       |       |    |       |                          |  |  |  |  |  |  |  |  |  |  |  |  |  |  |  |  |  |  |  |  |  |  |  |  |  |
|------------------|---|-------|-------|----|-------|--------------------------|--|--|--|--|--|--|--|--|--|--|--|--|--|--|--|--|--|--|--|--|--|--|--|--|--|
| Id               | A                   |       |       |    |       |                          |  |  |  |  |  |  |  |  |  |  |  |  |  |  |  |  |  |  |  |  |  |  |  |  |  |
| Reset 0x00000000 | 0                   |       |       |    |       |                          |  |  |  |  |  |  |  |  |  |  |  |  |  |  |  |  |  |  |  |  |  |  |  |  |  |
| Id               | RW  | Field | Value | Id | Value | Description              |  |  |  |  |  |  |  |  |  |  |  |  |  |  |  |  |  |  |  |  |  |  |  |  |  |
| A                | RW  | START |       |    |       | Start address for region |  |  |  |  |  |  |  |  |  |  |  |  |  |  |  |  |  |  |  |  |  |  |  |  |  |

### 45.1.15 REGION[0].END

Address offset: 0x604

End address of region 0

| Bit number       | 31 30 29 28 27 26 25 24 23 22 21 20 19 18 17 16 15 14 13 12 11 10 9 8 7 6 5 4 3 2 1 0 |       |       |    |       |                        |  |  |  |  |  |  |  |  |  |  |  |  |  |  |  |  |  |  |  |  |  |  |  |  |  |
|------------------|---|-------|-------|----|-------|------------------------|--|--|--|--|--|--|--|--|--|--|--|--|--|--|--|--|--|--|--|--|--|--|--|--|--|
| Id               | A                   |       |       |    |       |                        |  |  |  |  |  |  |  |  |  |  |  |  |  |  |  |  |  |  |  |  |  |  |  |  |  |
| Reset 0x00000000 | 0                   |       |       |    |       |                        |  |  |  |  |  |  |  |  |  |  |  |  |  |  |  |  |  |  |  |  |  |  |  |  |  |
| Id               | RW  | Field | Value | Id | Value | Description            |  |  |  |  |  |  |  |  |  |  |  |  |  |  |  |  |  |  |  |  |  |  |  |  |  |
| A                | RW  | END   |       |    |       | End address of region. |  |  |  |  |  |  |  |  |  |  |  |  |  |  |  |  |  |  |  |  |  |  |  |  |  |

### 45.1.16 REGION[1].START

Address offset: 0x610

Start address for region 1

| Bit number       | 31 | 30    | 29    | 28 | 27    | 26                       | 25 | 24 | 23 | 22 | 21 | 20 | 19 | 18 | 17 | 16 | 15 | 14 | 13 | 12 | 11 | 10 | 9 | 8 | 7 | 6 | 5 | 4 | 3 | 2 | 1 | 0 |
|------------------|----|-------|-------|----|-------|--------------------------|----|----|----|----|----|----|----|----|----|----|----|----|----|----|----|----|---|---|---|---|---|---|---|---|---|---|
| Id               | A  | A     | A     | A  | A     | A                        | A  | A  | A  | A  | A  | A  | A  | A  | A  | A  | A  | A  | A  | A  | A  | A  | A | A | A | A | A | A | A | A | A | A |
| Reset 0x00000000 | 0  | 0     | 0     | 0  | 0     | 0                        | 0  | 0  | 0  | 0  | 0  | 0  | 0  | 0  | 0  | 0  | 0  | 0  | 0  | 0  | 0  | 0  | 0 | 0 | 0 | 0 | 0 | 0 | 0 | 0 | 0 | 0 |
| Id               | RW | Field | Value | Id | Value | Description              |    |    |    |    |    |    |    |    |    |    |    |    |    |    |    |    |   |   |   |   |   |   |   |   |   |   |
| A                | RW | START |       |    |       | Start address for region |    |    |    |    |    |    |    |    |    |    |    |    |    |    |    |    |   |   |   |   |   |   |   |   |   |   |

### 45.1.17 REGION[1].END

Address offset: 0x614

End address of region 1

| Bit number       | 31 | 30    | 29    | 28 | 27    | 26                     | 25 | 24 | 23 | 22 | 21 | 20 | 19 | 18 | 17 | 16 | 15 | 14 | 13 | 12 | 11 | 10 | 9 | 8 | 7 | 6 | 5 | 4 | 3 | 2 | 1 | 0 |
|------------------|----|-------|-------|----|-------|------------------------|----|----|----|----|----|----|----|----|----|----|----|----|----|----|----|----|---|---|---|---|---|---|---|---|---|---|
| Id               | A  | A     | A     | A  | A     | A                      | A  | A  | A  | A  | A  | A  | A  | A  | A  | A  | A  | A  | A  | A  | A  | A  | A | A | A | A | A | A | A | A | A |   |
| Reset 0x00000000 | 0  | 0     | 0     | 0  | 0     | 0                      | 0  | 0  | 0  | 0  | 0  | 0  | 0  | 0  | 0  | 0  | 0  | 0  | 0  | 0  | 0  | 0  | 0 | 0 | 0 | 0 | 0 | 0 | 0 | 0 | 0 |   |
| Id               | RW | Field | Value | Id | Value | Description            |    |    |    |    |    |    |    |    |    |    |    |    |    |    |    |    |   |   |   |   |   |   |   |   |   |   |
| A                | RW | END   |       |    |       | End address of region. |    |    |    |    |    |    |    |    |    |    |    |    |    |    |    |    |   |   |   |   |   |   |   |   |   |   |

### 45.1.18 REGION[2].START

Address offset: 0x620

Start address for region 2

| Bit number       | 31 | 30    | 29    | 28 | 27    | 26                       | 25 | 24 | 23 | 22 | 21 | 20 | 19 | 18 | 17 | 16 | 15 | 14 | 13 | 12 | 11 | 10 | 9 | 8 | 7 | 6 | 5 | 4 | 3 | 2 | 1 | 0 |
|------------------|----|-------|-------|----|-------|--------------------------|----|----|----|----|----|----|----|----|----|----|----|----|----|----|----|----|---|---|---|---|---|---|---|---|---|---|
| Id               | A  | A     | A     | A  | A     | A                        | A  | A  | A  | A  | A  | A  | A  | A  | A  | A  | A  | A  | A  | A  | A  | A  | A | A | A | A | A | A | A | A | A |   |
| Reset 0x00000000 | 0  | 0     | 0     | 0  | 0     | 0                        | 0  | 0  | 0  | 0  | 0  | 0  | 0  | 0  | 0  | 0  | 0  | 0  | 0  | 0  | 0  | 0  | 0 | 0 | 0 | 0 | 0 | 0 | 0 | 0 | 0 |   |
| Id               | RW | Field | Value | Id | Value | Description              |    |    |    |    |    |    |    |    |    |    |    |    |    |    |    |    |   |   |   |   |   |   |   |   |   |   |
| A                | RW | START |       |    |       | Start address for region |    |    |    |    |    |    |    |    |    |    |    |    |    |    |    |    |   |   |   |   |   |   |   |   |   |   |

### 45.1.19 REGION[2].END

Address offset: 0x624

End address of region 2

| Bit number       | 31 | 30    | 29    | 28 | 27    | 26                     | 25 | 24 | 23 | 22 | 21 | 20 | 19 | 18 | 17 | 16 | 15 | 14 | 13 | 12 | 11 | 10 | 9 | 8 | 7 | 6 | 5 | 4 | 3 | 2 | 1 | 0 |
|------------------|----|-------|-------|----|-------|------------------------|----|----|----|----|----|----|----|----|----|----|----|----|----|----|----|----|---|---|---|---|---|---|---|---|---|---|
| Id               | A  | A     | A     | A  | A     | A                      | A  | A  | A  | A  | A  | A  | A  | A  | A  | A  | A  | A  | A  | A  | A  | A  | A | A | A | A | A | A | A | A | A |   |
| Reset 0x00000000 | 0  | 0     | 0     | 0  | 0     | 0                      | 0  | 0  | 0  | 0  | 0  | 0  | 0  | 0  | 0  | 0  | 0  | 0  | 0  | 0  | 0  | 0  | 0 | 0 | 0 | 0 | 0 | 0 | 0 | 0 | 0 |   |
| Id               | RW | Field | Value | Id | Value | Description            |    |    |    |    |    |    |    |    |    |    |    |    |    |    |    |    |   |   |   |   |   |   |   |   |   |   |
| A                | RW | END   |       |    |       | End address of region. |    |    |    |    |    |    |    |    |    |    |    |    |    |    |    |    |   |   |   |   |   |   |   |   |   |   |

### 45.1.20 REGION[3].START

Address offset: 0x630

Start address for region 3

| Bit number       | 31 | 30    | 29    | 28 | 27    | 26                       | 25 | 24 | 23 | 22 | 21 | 20 | 19 | 18 | 17 | 16 | 15 | 14 | 13 | 12 | 11 | 10 | 9 | 8 | 7 | 6 | 5 | 4 | 3 | 2 | 1 | 0 |
|------------------|----|-------|-------|----|-------|--------------------------|----|----|----|----|----|----|----|----|----|----|----|----|----|----|----|----|---|---|---|---|---|---|---|---|---|---|
| Id               | A  | A     | A     | A  | A     | A                        | A  | A  | A  | A  | A  | A  | A  | A  | A  | A  | A  | A  | A  | A  | A  | A  | A | A | A | A | A | A | A | A | A |   |
| Reset 0x00000000 | 0  | 0     | 0     | 0  | 0     | 0                        | 0  | 0  | 0  | 0  | 0  | 0  | 0  | 0  | 0  | 0  | 0  | 0  | 0  | 0  | 0  | 0  | 0 | 0 | 0 | 0 | 0 | 0 | 0 | 0 | 0 |   |
| Id               | RW | Field | Value | Id | Value | Description              |    |    |    |    |    |    |    |    |    |    |    |    |    |    |    |    |   |   |   |   |   |   |   |   |   |   |
| A                | RW | START |       |    |       | Start address for region |    |    |    |    |    |    |    |    |    |    |    |    |    |    |    |    |   |   |   |   |   |   |   |   |   |   |

### 45.1.21 REGION[3].END

Address offset: 0x634

End address of region 3

| Bit number       | 31 | 30    | 29       | 28    | 27                     | 26 | 25 | 24 | 23 | 22 | 21 | 20 | 19 | 18 | 17 | 16 | 15 | 14 | 13 | 12 | 11 | 10 | 9 | 8 | 7 | 6 | 5 | 4 | 3 | 2 | 1 | 0 |
|------------------|----|-------|----------|-------|------------------------|----|----|----|----|----|----|----|----|----|----|----|----|----|----|----|----|----|---|---|---|---|---|---|---|---|---|---|
| Id               | A  | A     | A        | A     | A                      | A  | A  | A  | A  | A  | A  | A  | A  | A  | A  | A  | A  | A  | A  | A  | A  | A  | A | A | A | A | A | A | A | A | A | A |
| Reset 0x00000000 | 0  | 0     | 0        | 0     | 0                      | 0  | 0  | 0  | 0  | 0  | 0  | 0  | 0  | 0  | 0  | 0  | 0  | 0  | 0  | 0  | 0  | 0  | 0 | 0 | 0 | 0 | 0 | 0 | 0 | 0 | 0 |   |
| Id               | RW | Field | Value Id | Value | Description            |    |    |    |    |    |    |    |    |    |    |    |    |    |    |    |    |    |   |   |   |   |   |   |   |   |   |   |
| A                | RW | END   |          |       | End address of region. |    |    |    |    |    |    |    |    |    |    |    |    |    |    |    |    |    |   |   |   |   |   |   |   |   |   |   |

### 45.1.22 PREGION[0].START

Address offset: 0x6C0

Reserved for future use

| Bit number       | 31 | 30    | 29       | 28    | 27                      | 26 | 25 | 24 | 23 | 22 | 21 | 20 | 19 | 18 | 17 | 16 | 15 | 14 | 13 | 12 | 11 | 10 | 9 | 8 | 7 | 6 | 5 | 4 | 3 | 2 | 1 | 0 |
|------------------|----|-------|----------|-------|-------------------------|----|----|----|----|----|----|----|----|----|----|----|----|----|----|----|----|----|---|---|---|---|---|---|---|---|---|---|
| Id               | A  | A     | A        | A     | A                       | A  | A  | A  | A  | A  | A  | A  | A  | A  | A  | A  | A  | A  | A  | A  | A  | A  | A | A | A | A | A | A | A | A | A |   |
| Reset 0x00000000 | 0  | 0     | 0        | 0     | 0                       | 0  | 0  | 0  | 0  | 0  | 0  | 0  | 0  | 0  | 0  | 0  | 0  | 0  | 0  | 0  | 0  | 0  | 0 | 0 | 0 | 0 | 0 | 0 | 0 | 0 | 0 |   |
| Id               | RW | Field | Value Id | Value | Description             |    |    |    |    |    |    |    |    |    |    |    |    |    |    |    |    |    |   |   |   |   |   |   |   |   |   |   |
| A                | R  | START |          |       | Reserved for future use |    |    |    |    |    |    |    |    |    |    |    |    |    |    |    |    |    |   |   |   |   |   |   |   |   |   |   |

### 45.1.23 PREGION[0].END

Address offset: 0x6C4

Reserved for future use

| Bit number       | 31 | 30    | 29       | 28    | 27                      | 26 | 25 | 24 | 23 | 22 | 21 | 20 | 19 | 18 | 17 | 16 | 15 | 14 | 13 | 12 | 11 | 10 | 9 | 8 | 7 | 6 | 5 | 4 | 3 | 2 | 1 | 0 |
|------------------|----|-------|----------|-------|-------------------------|----|----|----|----|----|----|----|----|----|----|----|----|----|----|----|----|----|---|---|---|---|---|---|---|---|---|---|
| Id               | A  | A     | A        | A     | A                       | A  | A  | A  | A  | A  | A  | A  | A  | A  | A  | A  | A  | A  | A  | A  | A  | A  | A | A | A | A | A | A | A | A | A |   |
| Reset 0x00000000 | 0  | 0     | 0        | 0     | 0                       | 0  | 0  | 0  | 0  | 0  | 0  | 0  | 0  | 0  | 0  | 0  | 0  | 0  | 0  | 0  | 0  | 0  | 0 | 0 | 0 | 0 | 0 | 0 | 0 | 0 | 0 |   |
| Id               | RW | Field | Value Id | Value | Description             |    |    |    |    |    |    |    |    |    |    |    |    |    |    |    |    |    |   |   |   |   |   |   |   |   |   |   |
| A                | R  | END   |          |       | Reserved for future use |    |    |    |    |    |    |    |    |    |    |    |    |    |    |    |    |    |   |   |   |   |   |   |   |   |   |   |

### 45.1.24 PREGION[0].SUBS

Address offset: 0x6C8

Subregions of region 0

| Bit number       | 31 | 30    | 29       | 28    | 27                                       | 26 | 25 | 24 | 23 | 22 | 21 | 20 | 19 | 18 | 17 | 16 | 15 | 14 | 13 | 12 | 11 | 10 | 9 | 8 | 7 | 6 | 5 | 4 | 3 | 2 | 1 | 0 |
|------------------|----|-------|----------|-------|--|----|----|----|----|----|----|----|----|----|----|----|----|----|----|----|----|----|---|---|---|---|---|---|---|---|---|---|
| Id               | f  | e     | d        | c     | b  | a  | Z  | Y  | X  | W  | V  | U  | T  | S  | R  | Q  | P  | O  | N  | M  | L  | K  | J | I | H | G | F | E | D | C | B | A |
| Reset 0x00000000 | 0  | 0     | 0        | 0     | 0  | 0  | 0  | 0  | 0  | 0  | 0  | 0  | 0  | 0  | 0  | 0  | 0  | 0  | 0  | 0  | 0  | 0  | 0 | 0 | 0 | 0 | 0 | 0 | 0 | 0 | 0 |   |
| Id               | RW | Field | Value Id | Value | Description                              |    |    |    |    |    |    |    |    |    |    |    |    |    |    |    |    |    |   |   |   |   |   |   |   |   |   |   |
| A                | RW | SR0   | Exclude  | 0     | Exclude or exclude subregion 0 in region |    |    |    |    |    |    |    |    |    |    |    |    |    |    |    |    |    |   |   |   |   |   |   |   |   |   |   |
|                  |    |       | Include  | 1     | Exclude                                  |    |    |    |    |    |    |    |    |    |    |    |    |    |    |    |    |    |   |   |   |   |   |   |   |   |   |   |
| B                | RW | SR1   | Exclude  | 0     | Include or exclude subregion 1 in region |    |    |    |    |    |    |    |    |    |    |    |    |    |    |    |    |    |   |   |   |   |   |   |   |   |   |   |
|                  |    |       | Include  | 1     | Include                                  |    |    |    |    |    |    |    |    |    |    |    |    |    |    |    |    |    |   |   |   |   |   |   |   |   |   |   |
| C                | RW | SR2   | Exclude  | 0     | Include or exclude subregion 2 in region |    |    |    |    |    |    |    |    |    |    |    |    |    |    |    |    |    |   |   |   |   |   |   |   |   |   |   |
|                  |    |       | Include  | 1     | Include                                  |    |    |    |    |    |    |    |    |    |    |    |    |    |    |    |    |    |   |   |   |   |   |   |   |   |   |   |
| D                | RW | SR3   | Exclude  | 0     | Include or exclude subregion 3 in region |    |    |    |    |    |    |    |    |    |    |    |    |    |    |    |    |    |   |   |   |   |   |   |   |   |   |   |
|                  |    |       | Include  | 1     | Include                                  |    |    |    |    |    |    |    |    |    |    |    |    |    |    |    |    |    |   |   |   |   |   |   |   |   |   |   |
| E                | RW | SR4   | Exclude  | 0     | Include or exclude subregion 4 in region |    |    |    |    |    |    |    |    |    |    |    |    |    |    |    |    |    |   |   |   |   |   |   |   |   |   |   |
|                  |    |       | Include  | 1     | Include                                  |    |    |    |    |    |    |    |    |    |    |    |    |    |    |    |    |    |   |   |   |   |   |   |   |   |   |   |
| F                | RW | SR5   | Exclude  | 0     | Include or exclude subregion 5 in region |    |    |    |    |    |    |    |    |    |    |    |    |    |    |    |    |    |   |   |   |   |   |   |   |   |   |   |
|                  |    |       | Include  | 1     | Include                                  |    |    |    |    |    |    |    |    |    |    |    |    |    |    |    |    |    |   |   |   |   |   |   |   |   |   |   |
| G                | RW | SR6   | Exclude  | 0     | Include or exclude subregion 6 in region |    |    |    |    |    |    |    |    |    |    |    |    |    |    |    |    |    |   |   |   |   |   |   |   |   |   |   |
|                  |    |       | Include  | 1     | Include                                  |    |    |    |    |    |    |    |    |    |    |    |    |    |    |    |    |    |   |   |   |   |   |   |   |   |   |   |

| Bit number       | 31 30 29 28 27 26 25 24 23 22 21 20 19 18 17 16 15 14 13 12 11 10 9 8 7 6 5 4 3 2 1 0 |       |          |       |   |  |  |  |  |  |  |  |  |  |  |  |  |  |  |  |  |  |  |  |  |  |
|------------------|---|-------|----------|-------|---|--|--|--|--|--|--|--|--|--|--|--|--|--|--|--|--|--|--|--|--|--|
| Id               | f e d c b a Z Y X W V U T S R Q P O N M L K J I H G F E D C B A                       |       |          |       |   |  |  |  |  |  |  |  |  |  |  |  |  |  |  |  |  |  |  |  |  |  |
| Reset 0x00000000 | 0                         |       |          |       |   |  |  |  |  |  |  |  |  |  |  |  |  |  |  |  |  |  |  |  |  |  |
| Id               | RW  | Field | Value Id | Value | Description                               |  |  |  |  |  |  |  |  |  |  |  |  |  |  |  |  |  |  |  |  |  |
| H                | RW  | SR7   | Exclude  | 0     | Exclude                                   |  |  |  |  |  |  |  |  |  |  |  |  |  |  |  |  |  |  |  |  |  |
|                  |   |       | Include  | 1     | Include                                   |  |  |  |  |  |  |  |  |  |  |  |  |  |  |  |  |  |  |  |  |  |
| I                | RW  | SR8   | Exclude  | 0     | Exclude                                   |  |  |  |  |  |  |  |  |  |  |  |  |  |  |  |  |  |  |  |  |  |
|                  |   |       | Include  | 1     | Include                                   |  |  |  |  |  |  |  |  |  |  |  |  |  |  |  |  |  |  |  |  |  |
| J                | RW  | SR9   | Exclude  | 0     | Exclude                                   |  |  |  |  |  |  |  |  |  |  |  |  |  |  |  |  |  |  |  |  |  |
|                  |   |       | Include  | 1     | Include                                   |  |  |  |  |  |  |  |  |  |  |  |  |  |  |  |  |  |  |  |  |  |
| K                | RW  | SR10  | Exclude  | 0     | Exclude                                   |  |  |  |  |  |  |  |  |  |  |  |  |  |  |  |  |  |  |  |  |  |
|                  |   |       | Include  | 1     | Include                                   |  |  |  |  |  |  |  |  |  |  |  |  |  |  |  |  |  |  |  |  |  |
| L                | RW  | SR11  | Exclude  | 0     | Exclude                                   |  |  |  |  |  |  |  |  |  |  |  |  |  |  |  |  |  |  |  |  |  |
|                  |   |       | Include  | 1     | Include                                   |  |  |  |  |  |  |  |  |  |  |  |  |  |  |  |  |  |  |  |  |  |
| M                | RW  | SR12  | Exclude  | 0     | Exclude                                   |  |  |  |  |  |  |  |  |  |  |  |  |  |  |  |  |  |  |  |  |  |
|                  |   |       | Include  | 1     | Include                                   |  |  |  |  |  |  |  |  |  |  |  |  |  |  |  |  |  |  |  |  |  |
| N                | RW  | SR13  | Exclude  | 0     | Exclude                                   |  |  |  |  |  |  |  |  |  |  |  |  |  |  |  |  |  |  |  |  |  |
|                  |   |       | Include  | 1     | Include                                   |  |  |  |  |  |  |  |  |  |  |  |  |  |  |  |  |  |  |  |  |  |
| O                | RW  | SR14  | Exclude  | 0     | Exclude                                   |  |  |  |  |  |  |  |  |  |  |  |  |  |  |  |  |  |  |  |  |  |
|                  |   |       | Include  | 1     | Include                                   |  |  |  |  |  |  |  |  |  |  |  |  |  |  |  |  |  |  |  |  |  |
| P                | RW  | SR15  | Exclude  | 0     | Exclude                                   |  |  |  |  |  |  |  |  |  |  |  |  |  |  |  |  |  |  |  |  |  |
|                  |   |       | Include  | 1     | Include                                   |  |  |  |  |  |  |  |  |  |  |  |  |  |  |  |  |  |  |  |  |  |
| Q                | RW  | SR16  | Exclude  | 0     | Exclude                                   |  |  |  |  |  |  |  |  |  |  |  |  |  |  |  |  |  |  |  |  |  |
|                  |   |       | Include  | 1     | Include                                   |  |  |  |  |  |  |  |  |  |  |  |  |  |  |  |  |  |  |  |  |  |
| R                | RW  | SR17  | Exclude  | 0     | Exclude                                   |  |  |  |  |  |  |  |  |  |  |  |  |  |  |  |  |  |  |  |  |  |
|                  |   |       | Include  | 1     | Include                                   |  |  |  |  |  |  |  |  |  |  |  |  |  |  |  |  |  |  |  |  |  |
| S                | RW  | SR18  | Exclude  | 0     | Exclude                                   |  |  |  |  |  |  |  |  |  |  |  |  |  |  |  |  |  |  |  |  |  |
|                  |   |       | Include  | 1     | Include                                   |  |  |  |  |  |  |  |  |  |  |  |  |  |  |  |  |  |  |  |  |  |
| T                | RW  | SR19  | Exclude  | 0     | Exclude                                   |  |  |  |  |  |  |  |  |  |  |  |  |  |  |  |  |  |  |  |  |  |
|                  |   |       | Include  | 1     | Include                                   |  |  |  |  |  |  |  |  |  |  |  |  |  |  |  |  |  |  |  |  |  |
| U                | RW  | SR20  | Exclude  | 0     | Exclude                                   |  |  |  |  |  |  |  |  |  |  |  |  |  |  |  |  |  |  |  |  |  |
|                  |   |       | Include  | 1     | Include                                   |  |  |  |  |  |  |  |  |  |  |  |  |  |  |  |  |  |  |  |  |  |
| V                | RW  | SR21  | Exclude  | 0     | Exclude                                   |  |  |  |  |  |  |  |  |  |  |  |  |  |  |  |  |  |  |  |  |  |
|                  |   |       | Include  | 1     | Include                                   |  |  |  |  |  |  |  |  |  |  |  |  |  |  |  |  |  |  |  |  |  |
| W                | RW  | SR22  | Exclude  | 0     | Exclude                                   |  |  |  |  |  |  |  |  |  |  |  |  |  |  |  |  |  |  |  |  |  |
|                  |   |       | Include  | 1     | Include                                   |  |  |  |  |  |  |  |  |  |  |  |  |  |  |  |  |  |  |  |  |  |
| X                | RW  | SR23  | Exclude  | 0     | Exclude                                   |  |  |  |  |  |  |  |  |  |  |  |  |  |  |  |  |  |  |  |  |  |
|                  |   |       | Include  | 1     | Include                                   |  |  |  |  |  |  |  |  |  |  |  |  |  |  |  |  |  |  |  |  |  |
| Y                | RW  | SR24  | Exclude  | 0     | Exclude                                   |  |  |  |  |  |  |  |  |  |  |  |  |  |  |  |  |  |  |  |  |  |
|                  |   |       | Include  | 1     | Include                                   |  |  |  |  |  |  |  |  |  |  |  |  |  |  |  |  |  |  |  |  |  |
| Z                | RW  | SR25  |          |       | Include or exclude subregion 25 in region |  |  |  |  |  |  |  |  |  |  |  |  |  |  |  |  |  |  |  |  |  |

| Bit number       |    |       |          |       |   |  |  |  |  |  |  |  |  |  |  |  |  |  |  |  |  |  |  |  |  |  |  |  |  |  |  |  |
|------------------|----|-------|----------|-------|---|--|--|--|--|--|--|--|--|--|--|--|--|--|--|--|--|--|--|--|--|--|--|--|--|--|--|--|
| Id               |    |       |          |       |   |  |  |  |  |  |  |  |  |  |  |  |  |  |  |  |  |  |  |  |  |  |  |  |  |  |  |  |
| Reset 0x00000000 |    |       |          |       |   |  |  |  |  |  |  |  |  |  |  |  |  |  |  |  |  |  |  |  |  |  |  |  |  |  |  |  |
| Id               | RW | Field | Value Id | Value | Description                               |  |  |  |  |  |  |  |  |  |  |  |  |  |  |  |  |  |  |  |  |  |  |  |  |  |  |  |
|                  |    |       | Exclude  | 0     | Exclude                                   |  |  |  |  |  |  |  |  |  |  |  |  |  |  |  |  |  |  |  |  |  |  |  |  |  |  |  |
|                  |    |       | Include  | 1     | Include                                   |  |  |  |  |  |  |  |  |  |  |  |  |  |  |  |  |  |  |  |  |  |  |  |  |  |  |  |
| a                | RW | SR26  |          |       | Include or exclude subregion 26 in region |  |  |  |  |  |  |  |  |  |  |  |  |  |  |  |  |  |  |  |  |  |  |  |  |  |  |  |
|                  |    |       | Exclude  | 0     | Exclude                                   |  |  |  |  |  |  |  |  |  |  |  |  |  |  |  |  |  |  |  |  |  |  |  |  |  |  |  |
|                  |    |       | Include  | 1     | Include                                   |  |  |  |  |  |  |  |  |  |  |  |  |  |  |  |  |  |  |  |  |  |  |  |  |  |  |  |
| b                | RW | SR27  |          |       | Include or exclude subregion 27 in region |  |  |  |  |  |  |  |  |  |  |  |  |  |  |  |  |  |  |  |  |  |  |  |  |  |  |  |
|                  |    |       | Exclude  | 0     | Exclude                                   |  |  |  |  |  |  |  |  |  |  |  |  |  |  |  |  |  |  |  |  |  |  |  |  |  |  |  |
|                  |    |       | Include  | 1     | Include                                   |  |  |  |  |  |  |  |  |  |  |  |  |  |  |  |  |  |  |  |  |  |  |  |  |  |  |  |
| c                | RW | SR28  |          |       | Include or exclude subregion 28 in region |  |  |  |  |  |  |  |  |  |  |  |  |  |  |  |  |  |  |  |  |  |  |  |  |  |  |  |
|                  |    |       | Exclude  | 0     | Exclude                                   |  |  |  |  |  |  |  |  |  |  |  |  |  |  |  |  |  |  |  |  |  |  |  |  |  |  |  |
|                  |    |       | Include  | 1     | Include                                   |  |  |  |  |  |  |  |  |  |  |  |  |  |  |  |  |  |  |  |  |  |  |  |  |  |  |  |
| d                | RW | SR29  |          |       | Include or exclude subregion 29 in region |  |  |  |  |  |  |  |  |  |  |  |  |  |  |  |  |  |  |  |  |  |  |  |  |  |  |  |
|                  |    |       | Exclude  | 0     | Exclude                                   |  |  |  |  |  |  |  |  |  |  |  |  |  |  |  |  |  |  |  |  |  |  |  |  |  |  |  |
|                  |    |       | Include  | 1     | Include                                   |  |  |  |  |  |  |  |  |  |  |  |  |  |  |  |  |  |  |  |  |  |  |  |  |  |  |  |
| e                | RW | SR30  |          |       | Include or exclude subregion 30 in region |  |  |  |  |  |  |  |  |  |  |  |  |  |  |  |  |  |  |  |  |  |  |  |  |  |  |  |
|                  |    |       | Exclude  | 0     | Exclude                                   |  |  |  |  |  |  |  |  |  |  |  |  |  |  |  |  |  |  |  |  |  |  |  |  |  |  |  |
|                  |    |       | Include  | 1     | Include                                   |  |  |  |  |  |  |  |  |  |  |  |  |  |  |  |  |  |  |  |  |  |  |  |  |  |  |  |
| f                | RW | SR31  |          |       | Include or exclude subregion 31 in region |  |  |  |  |  |  |  |  |  |  |  |  |  |  |  |  |  |  |  |  |  |  |  |  |  |  |  |
|                  |    |       | Exclude  | 0     | Exclude                                   |  |  |  |  |  |  |  |  |  |  |  |  |  |  |  |  |  |  |  |  |  |  |  |  |  |  |  |
|                  |    |       | Include  | 1     | Include                                   |  |  |  |  |  |  |  |  |  |  |  |  |  |  |  |  |  |  |  |  |  |  |  |  |  |  |  |

### 45.1.25 PREGION[1].START

Address offset: 0x6D0

Reserved for future use

| Bit number       |    |       |          |       |                         |  |  |  |  |  |  |  |  |  |  |  |  |  |  |  |  |  |  |  |  |  |  |  |  |  |  |  |
|------------------|----|-------|----------|-------|-------------------------|--|--|--|--|--|--|--|--|--|--|--|--|--|--|--|--|--|--|--|--|--|--|--|--|--|--|--|
| Id               |    |       |          |       |                         |  |  |  |  |  |  |  |  |  |  |  |  |  |  |  |  |  |  |  |  |  |  |  |  |  |  |  |
| Reset 0x00000000 |    |       |          |       |                         |  |  |  |  |  |  |  |  |  |  |  |  |  |  |  |  |  |  |  |  |  |  |  |  |  |  |  |
| Id               | RW | Field | Value Id | Value | Description             |  |  |  |  |  |  |  |  |  |  |  |  |  |  |  |  |  |  |  |  |  |  |  |  |  |  |  |
| A                | R  | START |          |       | Reserved for future use |  |  |  |  |  |  |  |  |  |  |  |  |  |  |  |  |  |  |  |  |  |  |  |  |  |  |  |

### 45.1.26 PREGION[1].END

Address offset: 0x6D4

Reserved for future use

| Bit number       |    |       |          |       |                         |  |  |  |  |  |  |  |  |  |  |  |  |  |  |  |  |  |  |  |  |  |  |  |  |  |  |  |
|------------------|----|-------|----------|-------|-------------------------|--|--|--|--|--|--|--|--|--|--|--|--|--|--|--|--|--|--|--|--|--|--|--|--|--|--|--|
| Id               |    |       |          |       |                         |  |  |  |  |  |  |  |  |  |  |  |  |  |  |  |  |  |  |  |  |  |  |  |  |  |  |  |
| Reset 0x00000000 |    |       |          |       |                         |  |  |  |  |  |  |  |  |  |  |  |  |  |  |  |  |  |  |  |  |  |  |  |  |  |  |  |
| Id               | RW | Field | Value Id | Value | Description             |  |  |  |  |  |  |  |  |  |  |  |  |  |  |  |  |  |  |  |  |  |  |  |  |  |  |  |
| A                | R  | END   |          |       | Reserved for future use |  |  |  |  |  |  |  |  |  |  |  |  |  |  |  |  |  |  |  |  |  |  |  |  |  |  |  |

### 45.1.27 PREGION[1].SUBS

Address offset: 0x6D8

Subregions of region 1

| Bit number       |    |       |          |       |  |  |  |  |  |  |  |  |  |  |  |  |  |  |  |  |  |  |  |  |  |  |  |  |  |  |  |  |
|------------------|----|-------|----------|-------|--|--|--|--|--|--|--|--|--|--|--|--|--|--|--|--|--|--|--|--|--|--|--|--|--|--|--|--|
| Id               |    |       |          |       |  |  |  |  |  |  |  |  |  |  |  |  |  |  |  |  |  |  |  |  |  |  |  |  |  |  |  |  |
| Reset 0x00000000 |    |       |          |       |  |  |  |  |  |  |  |  |  |  |  |  |  |  |  |  |  |  |  |  |  |  |  |  |  |  |  |  |
| Id               | RW | Field | Value Id | Value | Description                              |  |  |  |  |  |  |  |  |  |  |  |  |  |  |  |  |  |  |  |  |  |  |  |  |  |  |  |
| A                | RW | SR0   |          |       | Include or exclude subregion 0 in region |  |  |  |  |  |  |  |  |  |  |  |  |  |  |  |  |  |  |  |  |  |  |  |  |  |  |  |
|                  |    |       | Exclude  | 0     | Exclude                                  |  |  |  |  |  |  |  |  |  |  |  |  |  |  |  |  |  |  |  |  |  |  |  |  |  |  |  |

|                  |    |    |    |    |    |    |    |    |    |    |    |    |    |    |    |    |    |    |    |    |    |    |   |   |   |   |   |   |   |   |   |   |
|------------------|----|----|----|----|----|----|----|----|----|----|----|----|----|----|----|----|----|----|----|----|----|----|---|---|---|---|---|---|---|---|---|---|
| Bit number       | 31 | 30 | 29 | 28 | 27 | 26 | 25 | 24 | 23 | 22 | 21 | 20 | 19 | 18 | 17 | 16 | 15 | 14 | 13 | 12 | 11 | 10 | 9 | 8 | 7 | 6 | 5 | 4 | 3 | 2 | 1 | 0 |
| Id               | f  | e  | d  | c  | b  | a  | Z  | Y  | X  | W  | V  | U  | T  | S  | R  | Q  | P  | O  | N  | M  | L  | K  | J | I | H | G | F | E | D | C | B | A |
| Reset 0x00000000 | 0  | 0  | 0  | 0  | 0  | 0  | 0  | 0  | 0  | 0  | 0  | 0  | 0  | 0  | 0  | 0  | 0  | 0  | 0  | 0  | 0  | 0  | 0 | 0 | 0 | 0 | 0 | 0 | 0 | 0 | 0 | 0 |

| Id | RW | Field | Value Id | Value | Description                               |
|----|----|-------|----------|-------|---|
|    |    |       | Include  | 1     | Include                                   |
| B  | RW | SR1   | Exclude  | 0     | Exclude                                   |
|    |    |       | Include  | 1     | Include                                   |
|    |    |       |          |       | Include or exclude subregion 1 in region  |
| C  | RW | SR2   | Exclude  | 0     | Exclude                                   |
|    |    |       | Include  | 1     | Include                                   |
|    |    |       |          |       | Include or exclude subregion 2 in region  |
| D  | RW | SR3   | Exclude  | 0     | Exclude                                   |
|    |    |       | Include  | 1     | Include                                   |
|    |    |       |          |       | Include or exclude subregion 3 in region  |
| E  | RW | SR4   | Exclude  | 0     | Exclude                                   |
|    |    |       | Include  | 1     | Include                                   |
|    |    |       |          |       | Include or exclude subregion 4 in region  |
| F  | RW | SR5   | Exclude  | 0     | Exclude                                   |
|    |    |       | Include  | 1     | Include                                   |
|    |    |       |          |       | Include or exclude subregion 5 in region  |
| G  | RW | SR6   | Exclude  | 0     | Exclude                                   |
|    |    |       | Include  | 1     | Include                                   |
|    |    |       |          |       | Include or exclude subregion 6 in region  |
| H  | RW | SR7   | Exclude  | 0     | Exclude                                   |
|    |    |       | Include  | 1     | Include                                   |
|    |    |       |          |       | Include or exclude subregion 7 in region  |
| I  | RW | SR8   | Exclude  | 0     | Exclude                                   |
|    |    |       | Include  | 1     | Include                                   |
|    |    |       |          |       | Include or exclude subregion 8 in region  |
| J  | RW | SR9   | Exclude  | 0     | Exclude                                   |
|    |    |       | Include  | 1     | Include                                   |
|    |    |       |          |       | Include or exclude subregion 9 in region  |
| K  | RW | SR10  | Exclude  | 0     | Exclude                                   |
|    |    |       | Include  | 1     | Include                                   |
|    |    |       |          |       | Include or exclude subregion 10 in region |
| L  | RW | SR11  | Exclude  | 0     | Exclude                                   |
|    |    |       | Include  | 1     | Include                                   |
|    |    |       |          |       | Include or exclude subregion 11 in region |
| M  | RW | SR12  | Exclude  | 0     | Exclude                                   |
|    |    |       | Include  | 1     | Include                                   |
|    |    |       |          |       | Include or exclude subregion 12 in region |
| N  | RW | SR13  | Exclude  | 0     | Exclude                                   |
|    |    |       | Include  | 1     | Include                                   |
|    |    |       |          |       | Include or exclude subregion 13 in region |
| O  | RW | SR14  | Exclude  | 0     | Exclude                                   |
|    |    |       | Include  | 1     | Include                                   |
|    |    |       |          |       | Include or exclude subregion 14 in region |
| P  | RW | SR15  | Exclude  | 0     | Exclude                                   |
|    |    |       | Include  | 1     | Include                                   |
|    |    |       |          |       | Include or exclude subregion 15 in region |
| Q  | RW | SR16  | Exclude  | 0     | Exclude                                   |
|    |    |       | Include  | 1     | Include                                   |
|    |    |       |          |       | Include or exclude subregion 16 in region |
| R  | RW | SR17  | Exclude  | 0     | Exclude                                   |
|    |    |       | Include  | 1     | Include                                   |
|    |    |       |          |       | Include or exclude subregion 17 in region |
| S  | RW | SR18  | Exclude  | 0     | Exclude                                   |
|    |    |       | Include  | 1     | Include                                   |
|    |    |       |          |       | Include or exclude subregion 18 in region |

| Bit number       |   |       |          |       |             |  |  |  |  |  |  |  |  |  |  |  |  |  |  |  |  |  |  |  |  |  |  |  |  |  |  |
|------------------|---|-------|----------|-------|-------------|--|--|--|--|--|--|--|--|--|--|--|--|--|--|--|--|--|--|--|--|--|--|--|--|--|--|
| Id               | f e d c b a Z Y X W V U T S R Q P O N M L K J I H G F E D C B A           |       |          |       |             |  |  |  |  |  |  |  |  |  |  |  |  |  |  |  |  |  |  |  |  |  |  |  |  |  |  |
| Reset 0x00000000 | 0 |       |          |       |             |  |  |  |  |  |  |  |  |  |  |  |  |  |  |  |  |  |  |  |  |  |  |  |  |  |  |
| Id               | RW  | Field | Value Id | Value | Description |  |  |  |  |  |  |  |  |  |  |  |  |  |  |  |  |  |  |  |  |  |  |  |  |  |  |
| T                | RW  | SR19  | Exclude  | 0     | Exclude     |  |  |  |  |  |  |  |  |  |  |  |  |  |  |  |  |  |  |  |  |  |  |  |  |  |  |
|                  |   |       | Include  | 1     | Include     |  |  |  |  |  |  |  |  |  |  |  |  |  |  |  |  |  |  |  |  |  |  |  |  |  |  |
| U                | RW  | SR20  | Exclude  | 0     | Exclude     |  |  |  |  |  |  |  |  |  |  |  |  |  |  |  |  |  |  |  |  |  |  |  |  |  |  |
|                  |   |       | Include  | 1     | Include     |  |  |  |  |  |  |  |  |  |  |  |  |  |  |  |  |  |  |  |  |  |  |  |  |  |  |
| V                | RW  | SR21  | Exclude  | 0     | Exclude     |  |  |  |  |  |  |  |  |  |  |  |  |  |  |  |  |  |  |  |  |  |  |  |  |  |  |
|                  |   |       | Include  | 1     | Include     |  |  |  |  |  |  |  |  |  |  |  |  |  |  |  |  |  |  |  |  |  |  |  |  |  |  |
| W                | RW  | SR22  | Exclude  | 0     | Exclude     |  |  |  |  |  |  |  |  |  |  |  |  |  |  |  |  |  |  |  |  |  |  |  |  |  |  |
|                  |   |       | Include  | 1     | Include     |  |  |  |  |  |  |  |  |  |  |  |  |  |  |  |  |  |  |  |  |  |  |  |  |  |  |
| X                | RW  | SR23  | Exclude  | 0     | Exclude     |  |  |  |  |  |  |  |  |  |  |  |  |  |  |  |  |  |  |  |  |  |  |  |  |  |  |
|                  |   |       | Include  | 1     | Include     |  |  |  |  |  |  |  |  |  |  |  |  |  |  |  |  |  |  |  |  |  |  |  |  |  |  |
| Y                | RW  | SR24  | Exclude  | 0     | Exclude     |  |  |  |  |  |  |  |  |  |  |  |  |  |  |  |  |  |  |  |  |  |  |  |  |  |  |
|                  |   |       | Include  | 1     | Include     |  |  |  |  |  |  |  |  |  |  |  |  |  |  |  |  |  |  |  |  |  |  |  |  |  |  |
| Z                | RW  | SR25  | Exclude  | 0     | Exclude     |  |  |  |  |  |  |  |  |  |  |  |  |  |  |  |  |  |  |  |  |  |  |  |  |  |  |
|                  |   |       | Include  | 1     | Include     |  |  |  |  |  |  |  |  |  |  |  |  |  |  |  |  |  |  |  |  |  |  |  |  |  |  |
| a                | RW  | SR26  | Exclude  | 0     | Exclude     |  |  |  |  |  |  |  |  |  |  |  |  |  |  |  |  |  |  |  |  |  |  |  |  |  |  |
|                  |   |       | Include  | 1     | Include     |  |  |  |  |  |  |  |  |  |  |  |  |  |  |  |  |  |  |  |  |  |  |  |  |  |  |
| b                | RW  | SR27  | Exclude  | 0     | Exclude     |  |  |  |  |  |  |  |  |  |  |  |  |  |  |  |  |  |  |  |  |  |  |  |  |  |  |
|                  |   |       | Include  | 1     | Include     |  |  |  |  |  |  |  |  |  |  |  |  |  |  |  |  |  |  |  |  |  |  |  |  |  |  |
| c                | RW  | SR28  | Exclude  | 0     | Exclude     |  |  |  |  |  |  |  |  |  |  |  |  |  |  |  |  |  |  |  |  |  |  |  |  |  |  |
|                  |   |       | Include  | 1     | Include     |  |  |  |  |  |  |  |  |  |  |  |  |  |  |  |  |  |  |  |  |  |  |  |  |  |  |
| d                | RW  | SR29  | Exclude  | 0     | Exclude     |  |  |  |  |  |  |  |  |  |  |  |  |  |  |  |  |  |  |  |  |  |  |  |  |  |  |
|                  |   |       | Include  | 1     | Include     |  |  |  |  |  |  |  |  |  |  |  |  |  |  |  |  |  |  |  |  |  |  |  |  |  |  |
| e                | RW  | SR30  | Exclude  | 0     | Exclude     |  |  |  |  |  |  |  |  |  |  |  |  |  |  |  |  |  |  |  |  |  |  |  |  |  |  |
|                  |   |       | Include  | 1     | Include     |  |  |  |  |  |  |  |  |  |  |  |  |  |  |  |  |  |  |  |  |  |  |  |  |  |  |
| f                | RW  | SR31  | Exclude  | 0     | Exclude     |  |  |  |  |  |  |  |  |  |  |  |  |  |  |  |  |  |  |  |  |  |  |  |  |  |  |
|                  |   |       | Include  | 1     | Include     |  |  |  |  |  |  |  |  |  |  |  |  |  |  |  |  |  |  |  |  |  |  |  |  |  |  |



## 46 EGU — Event generator unit

The Event generator unit (EGU) provides support for inter-layer signaling. This means support for atomic triggering of both CPU execution and hardware tasks from both firmware (by CPU) and hardware (by PPI). This feature can, for instance, be used for triggering CPU execution at a lower priority execution from a higher priority execution, or to handle a peripheral's ISR execution at a lower priority for some of its events. However, triggering any priority from any priority is possible.

Listed here are the main EGU features:

- Enables SW triggering of interrupts
- 6 EGU instances – separate interrupt vectors
- Up to 16 separate event flags per interrupt for multiplexing

The EGU implements a set of tasks which can individually be triggered to generate the corresponding event, i.e., the corresponding event for TASKS\_TRIGGER[n] is EVENTS\_TRIGGERED[n].

**Table 113: EGU configuration**

| EGU instance | Number of event flags |
|--------------|-----------------------|
| 0-5          | 16                    |

### 46.1 Registers

**Table 114: Instances**

| Base address | Peripheral | Instance | Description            | Configuration |
|--------------|------------|----------|------------------------|---------------|
| 0x40014000   | EGU        | EGU0     | Event Generator Unit 0 |               |
| 0x40015000   | EGU        | EGU1     | Event Generator Unit 1 |               |
| 0x40016000   | EGU        | EGU2     | Event Generator Unit 2 |               |
| 0x40017000   | EGU        | EGU3     | Event Generator Unit 3 |               |
| 0x40018000   | EGU        | EGU4     | Event Generator Unit 4 |               |
| 0x40019000   | EGU        | EGU5     | Event Generator Unit 5 |               |

**Table 115: Register Overview**

| Register            | Offset | Description  |
|---------------------|--------|--|
| TASKS_TRIGGER[0]    | 0x000  | Trigger 0 for triggering the corresponding TRIGGERED[0] event            |
| TASKS_TRIGGER[1]    | 0x004  | Trigger 1 for triggering the corresponding TRIGGERED[1] event            |
| TASKS_TRIGGER[2]    | 0x008  | Trigger 2 for triggering the corresponding TRIGGERED[2] event            |
| TASKS_TRIGGER[3]    | 0x00C  | Trigger 3 for triggering the corresponding TRIGGERED[3] event            |
| TASKS_TRIGGER[4]    | 0x010  | Trigger 4 for triggering the corresponding TRIGGERED[4] event            |
| TASKS_TRIGGER[5]    | 0x014  | Trigger 5 for triggering the corresponding TRIGGERED[5] event            |
| TASKS_TRIGGER[6]    | 0x018  | Trigger 6 for triggering the corresponding TRIGGERED[6] event            |
| TASKS_TRIGGER[7]    | 0x01C  | Trigger 7 for triggering the corresponding TRIGGERED[7] event            |
| TASKS_TRIGGER[8]    | 0x020  | Trigger 8 for triggering the corresponding TRIGGERED[8] event            |
| TASKS_TRIGGER[9]    | 0x024  | Trigger 9 for triggering the corresponding TRIGGERED[9] event            |
| TASKS_TRIGGER[10]   | 0x028  | Trigger 10 for triggering the corresponding TRIGGERED[10] event          |
| TASKS_TRIGGER[11]   | 0x02C  | Trigger 11 for triggering the corresponding TRIGGERED[11] event          |
| TASKS_TRIGGER[12]   | 0x030  | Trigger 12 for triggering the corresponding TRIGGERED[12] event          |
| TASKS_TRIGGER[13]   | 0x034  | Trigger 13 for triggering the corresponding TRIGGERED[13] event          |
| TASKS_TRIGGER[14]   | 0x038  | Trigger 14 for triggering the corresponding TRIGGERED[14] event          |
| TASKS_TRIGGER[15]   | 0x03C  | Trigger 15 for triggering the corresponding TRIGGERED[15] event          |
| EVENTS_TRIGGERED[0] | 0x100  | Event number 0 generated by triggering the corresponding TRIGGER[0] task |
| EVENTS_TRIGGERED[1] | 0x104  | Event number 1 generated by triggering the corresponding TRIGGER[1] task |
| EVENTS_TRIGGERED[2] | 0x108  | Event number 2 generated by triggering the corresponding TRIGGER[2] task |
| EVENTS_TRIGGERED[3] | 0x10C  | Event number 3 generated by triggering the corresponding TRIGGER[3] task |
| EVENTS_TRIGGERED[4] | 0x110  | Event number 4 generated by triggering the corresponding TRIGGER[4] task |

| Register             | Offset | Description  |
|----------------------|--------|--|
| EVENTS_TRIGGERED[5]  | 0x114  | Event number 5 generated by triggering the corresponding TRIGGER[5] task   |
| EVENTS_TRIGGERED[6]  | 0x118  | Event number 6 generated by triggering the corresponding TRIGGER[6] task   |
| EVENTS_TRIGGERED[7]  | 0x11C  | Event number 7 generated by triggering the corresponding TRIGGER[7] task   |
| EVENTS_TRIGGERED[8]  | 0x120  | Event number 8 generated by triggering the corresponding TRIGGER[8] task   |
| EVENTS_TRIGGERED[9]  | 0x124  | Event number 9 generated by triggering the corresponding TRIGGER[9] task   |
| EVENTS_TRIGGERED[10] | 0x128  | Event number 10 generated by triggering the corresponding TRIGGER[10] task |
| EVENTS_TRIGGERED[11] | 0x12C  | Event number 11 generated by triggering the corresponding TRIGGER[11] task |
| EVENTS_TRIGGERED[12] | 0x130  | Event number 12 generated by triggering the corresponding TRIGGER[12] task |
| EVENTS_TRIGGERED[13] | 0x134  | Event number 13 generated by triggering the corresponding TRIGGER[13] task |
| EVENTS_TRIGGERED[14] | 0x138  | Event number 14 generated by triggering the corresponding TRIGGER[14] task |
| EVENTS_TRIGGERED[15] | 0x13C  | Event number 15 generated by triggering the corresponding TRIGGER[15] task |
| <i>INTEN</i>         | 0x300  | Enable or disable interrupt  |
| <i>INTENSET</i>      | 0x304  | Enable interrupt   |
| <i>INTENCLR</i>      | 0x308  | Disable interrupt  |

### 46.1.1 INTEN

Address offset: 0x300

Enable or disable interrupt

| Bit number       |   |            |          |       |   |  |  |  |  |  |  |  |  |  |  |  |  |  |  |  |  |  |  |  |  |  |  |  |  |  |  |
|------------------|---|------------|----------|-------|---|--|--|--|--|--|--|--|--|--|--|--|--|--|--|--|--|--|--|--|--|--|--|--|--|--|--|
| Id               | P O N M L K J I H G F E D C B A   |            |          |       |   |  |  |  |  |  |  |  |  |  |  |  |  |  |  |  |  |  |  |  |  |  |  |  |  |  |  |
| Reset 0x00000000 | 0 |            |          |       |   |  |  |  |  |  |  |  |  |  |  |  |  |  |  |  |  |  |  |  |  |  |  |  |  |  |  |
| Id               | RW  | Field      | Value Id | Value | Description   |  |  |  |  |  |  |  |  |  |  |  |  |  |  |  |  |  |  |  |  |  |  |  |  |  |  |
| A                | RW  | TRIGGERED0 |          |       | Enable or disable interrupt for TRIGGERED[0] event<br><br>See <a href="#">EVENTS_TRIGGERED[0]</a><br><br>Disabled 0 Disable<br>Enabled 1 Enable |  |  |  |  |  |  |  |  |  |  |  |  |  |  |  |  |  |  |  |  |  |  |  |  |  |  |
| B                | RW  | TRIGGERED1 |          |       | Enable or disable interrupt for TRIGGERED[1] event<br><br>See <a href="#">EVENTS_TRIGGERED[1]</a><br><br>Disabled 0 Disable<br>Enabled 1 Enable |  |  |  |  |  |  |  |  |  |  |  |  |  |  |  |  |  |  |  |  |  |  |  |  |  |  |
| C                | RW  | TRIGGERED2 |          |       | Enable or disable interrupt for TRIGGERED[2] event<br><br>See <a href="#">EVENTS_TRIGGERED[2]</a><br><br>Disabled 0 Disable<br>Enabled 1 Enable |  |  |  |  |  |  |  |  |  |  |  |  |  |  |  |  |  |  |  |  |  |  |  |  |  |  |
| D                | RW  | TRIGGERED3 |          |       | Enable or disable interrupt for TRIGGERED[3] event<br><br>See <a href="#">EVENTS_TRIGGERED[3]</a><br><br>Disabled 0 Disable<br>Enabled 1 Enable |  |  |  |  |  |  |  |  |  |  |  |  |  |  |  |  |  |  |  |  |  |  |  |  |  |  |
| E                | RW  | TRIGGERED4 |          |       | Enable or disable interrupt for TRIGGERED[4] event<br><br>See <a href="#">EVENTS_TRIGGERED[4]</a><br><br>Disabled 0 Disable<br>Enabled 1 Enable |  |  |  |  |  |  |  |  |  |  |  |  |  |  |  |  |  |  |  |  |  |  |  |  |  |  |
| F                | RW  | TRIGGERED5 |          |       | Enable or disable interrupt for TRIGGERED[5] event<br><br>See <a href="#">EVENTS_TRIGGERED[5]</a><br><br>Disabled 0 Disable<br>Enabled 1 Enable |  |  |  |  |  |  |  |  |  |  |  |  |  |  |  |  |  |  |  |  |  |  |  |  |  |  |
| G                | RW  | TRIGGERED6 |          |       | Enable or disable interrupt for TRIGGERED[6] event<br><br>See <a href="#">EVENTS_TRIGGERED[6]</a><br><br>Disabled 0 Disable<br>Enabled 1 Enable |  |  |  |  |  |  |  |  |  |  |  |  |  |  |  |  |  |  |  |  |  |  |  |  |  |  |
| H                | RW  | TRIGGERED7 |          |       | Enable or disable interrupt for TRIGGERED[7] event<br><br>See <a href="#">EVENTS_TRIGGERED[7]</a><br><br>Disabled 0 Disable                     |  |  |  |  |  |  |  |  |  |  |  |  |  |  |  |  |  |  |  |  |  |  |  |  |  |  |

| Bit number       | 31 30 29 28 27 26 25 24 23 22 21 20 19 18 17 16 15 14 13 12 11 10 9 8 7 6 5 4 3 2 1 0 |             |          |    |         |             |  |  |  |  |  |  |  |  |  |  |  |  |  |  |  |  |  |  |  |  |  |  |  |  |  |
|------------------|---|-------------|----------|----|---------|-------------|--|--|--|--|--|--|--|--|--|--|--|--|--|--|--|--|--|--|--|--|--|--|--|--|--|
| Id               | P O N M L K J I H G F E D C B A   |             |          |    |         |             |  |  |  |  |  |  |  |  |  |  |  |  |  |  |  |  |  |  |  |  |  |  |  |  |  |
| Reset 0x00000000 | 0             |             |          |    |         |             |  |  |  |  |  |  |  |  |  |  |  |  |  |  |  |  |  |  |  |  |  |  |  |  |  |
| Id               | RW  | Field       | Value    | Id | Value   | Description |  |  |  |  |  |  |  |  |  |  |  |  |  |  |  |  |  |  |  |  |  |  |  |  |  |
| I                | RW  | TRIGGERED8  | Enabled  | 1  | Enable  |             |  |  |  |  |  |  |  |  |  |  |  |  |  |  |  |  |  |  |  |  |  |  |  |  |  |
|                  |   |             | Disabled | 0  | Disable |             |  |  |  |  |  |  |  |  |  |  |  |  |  |  |  |  |  |  |  |  |  |  |  |  |  |
|                  |   |             | Enabled  | 1  | Enable  |             |  |  |  |  |  |  |  |  |  |  |  |  |  |  |  |  |  |  |  |  |  |  |  |  |  |
| J                | RW  | TRIGGERED9  | Enabled  | 1  | Enable  |             |  |  |  |  |  |  |  |  |  |  |  |  |  |  |  |  |  |  |  |  |  |  |  |  |  |
|                  |   |             | Disabled | 0  | Disable |             |  |  |  |  |  |  |  |  |  |  |  |  |  |  |  |  |  |  |  |  |  |  |  |  |  |
|                  |   |             | Enabled  | 1  | Enable  |             |  |  |  |  |  |  |  |  |  |  |  |  |  |  |  |  |  |  |  |  |  |  |  |  |  |
| K                | RW  | TRIGGERED10 | Enabled  | 1  | Enable  |             |  |  |  |  |  |  |  |  |  |  |  |  |  |  |  |  |  |  |  |  |  |  |  |  |  |
|                  |   |             | Disabled | 0  | Disable |             |  |  |  |  |  |  |  |  |  |  |  |  |  |  |  |  |  |  |  |  |  |  |  |  |  |
|                  |   |             | Enabled  | 1  | Enable  |             |  |  |  |  |  |  |  |  |  |  |  |  |  |  |  |  |  |  |  |  |  |  |  |  |  |
| L                | RW  | TRIGGERED11 | Enabled  | 1  | Enable  |             |  |  |  |  |  |  |  |  |  |  |  |  |  |  |  |  |  |  |  |  |  |  |  |  |  |
|                  |   |             | Disabled | 0  | Disable |             |  |  |  |  |  |  |  |  |  |  |  |  |  |  |  |  |  |  |  |  |  |  |  |  |  |
|                  |   |             | Enabled  | 1  | Enable  |             |  |  |  |  |  |  |  |  |  |  |  |  |  |  |  |  |  |  |  |  |  |  |  |  |  |
| M                | RW  | TRIGGERED12 | Enabled  | 1  | Enable  |             |  |  |  |  |  |  |  |  |  |  |  |  |  |  |  |  |  |  |  |  |  |  |  |  |  |
|                  |   |             | Disabled | 0  | Disable |             |  |  |  |  |  |  |  |  |  |  |  |  |  |  |  |  |  |  |  |  |  |  |  |  |  |
|                  |   |             | Enabled  | 1  | Enable  |             |  |  |  |  |  |  |  |  |  |  |  |  |  |  |  |  |  |  |  |  |  |  |  |  |  |
| N                | RW  | TRIGGERED13 | Enabled  | 1  | Enable  |             |  |  |  |  |  |  |  |  |  |  |  |  |  |  |  |  |  |  |  |  |  |  |  |  |  |
|                  |   |             | Disabled | 0  | Disable |             |  |  |  |  |  |  |  |  |  |  |  |  |  |  |  |  |  |  |  |  |  |  |  |  |  |
|                  |   |             | Enabled  | 1  | Enable  |             |  |  |  |  |  |  |  |  |  |  |  |  |  |  |  |  |  |  |  |  |  |  |  |  |  |
| O                | RW  | TRIGGERED14 | Enabled  | 1  | Enable  |             |  |  |  |  |  |  |  |  |  |  |  |  |  |  |  |  |  |  |  |  |  |  |  |  |  |
|                  |   |             | Disabled | 0  | Disable |             |  |  |  |  |  |  |  |  |  |  |  |  |  |  |  |  |  |  |  |  |  |  |  |  |  |
|                  |   |             | Enabled  | 1  | Enable  |             |  |  |  |  |  |  |  |  |  |  |  |  |  |  |  |  |  |  |  |  |  |  |  |  |  |
| P                | RW  | TRIGGERED15 | Enabled  | 1  | Enable  |             |  |  |  |  |  |  |  |  |  |  |  |  |  |  |  |  |  |  |  |  |  |  |  |  |  |
|                  |   |             | Disabled | 0  | Disable |             |  |  |  |  |  |  |  |  |  |  |  |  |  |  |  |  |  |  |  |  |  |  |  |  |  |
|                  |   |             | Enabled  | 1  | Enable  |             |  |  |  |  |  |  |  |  |  |  |  |  |  |  |  |  |  |  |  |  |  |  |  |  |  |

### 46.1.2 INTENSET

Address offset: 0x304

Enable interrupt

| Bit number       | 31 30 29 28 27 26 25 24 23 22 21 20 19 18 17 16 15 14 13 12 11 10 9 8 7 6 5 4 3 2 1 0 |            |          |    |  |             |  |  |  |  |  |  |  |  |  |  |  |  |  |  |  |  |  |  |  |  |  |  |  |  |  |
|------------------|---|------------|----------|----|--|-------------|--|--|--|--|--|--|--|--|--|--|--|--|--|--|--|--|--|--|--|--|--|--|--|--|--|
| Id               | P O N M L K J I H G F E D C B A   |            |          |    |  |             |  |  |  |  |  |  |  |  |  |  |  |  |  |  |  |  |  |  |  |  |  |  |  |  |  |
| Reset 0x00000000 | 0             |            |          |    |  |             |  |  |  |  |  |  |  |  |  |  |  |  |  |  |  |  |  |  |  |  |  |  |  |  |  |
| Id               | RW  | Field      | Value    | Id | Value  | Description |  |  |  |  |  |  |  |  |  |  |  |  |  |  |  |  |  |  |  |  |  |  |  |  |  |
| A                | RW  | TRIGGERED0 | Set      | 1  | Enable   |             |  |  |  |  |  |  |  |  |  |  |  |  |  |  |  |  |  |  |  |  |  |  |  |  |  |
|                  |   |            | Disabled | 0  | Read: Disabled                                       |             |  |  |  |  |  |  |  |  |  |  |  |  |  |  |  |  |  |  |  |  |  |  |  |  |  |
|                  |   |            | Enabled  | 1  | Read: Enabled  |             |  |  |  |  |  |  |  |  |  |  |  |  |  |  |  |  |  |  |  |  |  |  |  |  |  |
|                  |   |            | Set      | 1  | Write '1' to Enable interrupt for TRIGGERED[0] event |             |  |  |  |  |  |  |  |  |  |  |  |  |  |  |  |  |  |  |  |  |  |  |  |  |  |
| B                | RW  | TRIGGERED1 | Set      | 1  | Enable   |             |  |  |  |  |  |  |  |  |  |  |  |  |  |  |  |  |  |  |  |  |  |  |  |  |  |
|                  |   |            | Disabled | 0  | Disable  |             |  |  |  |  |  |  |  |  |  |  |  |  |  |  |  |  |  |  |  |  |  |  |  |  |  |
|                  |   |            | Enabled  | 1  | Enable   |             |  |  |  |  |  |  |  |  |  |  |  |  |  |  |  |  |  |  |  |  |  |  |  |  |  |

| Bit number       | 31 30 29 28 27 26 25 24 23 22 21 20 19 18 17 16 15 14 13 12 11 10 9 8 7 6 5 4 3 2 1 0 |             |   |       |                |  |  |  |  |  |  |  |  |  |  |  |  |  |  |  |  |  |  |  |  |  |  |  |  |  |  |
|------------------|---|-------------|---|-------|----------------|--|--|--|--|--|--|--|--|--|--|--|--|--|--|--|--|--|--|--|--|--|--|--|--|--|--|
| Id               | P O N M L K J I H G F E D C B A   |             |   |       |                |  |  |  |  |  |  |  |  |  |  |  |  |  |  |  |  |  |  |  |  |  |  |  |  |  |  |
| Reset 0x00000000 | 0             |             |   |       |                |  |  |  |  |  |  |  |  |  |  |  |  |  |  |  |  |  |  |  |  |  |  |  |  |  |  |
| Id               | RW  | Field       | Value Id  | Value | Description    |  |  |  |  |  |  |  |  |  |  |  |  |  |  |  |  |  |  |  |  |  |  |  |  |  |  |
| C                | RW  | TRIGGERED2  | Disabled  | 0     | Read: Disabled |  |  |  |  |  |  |  |  |  |  |  |  |  |  |  |  |  |  |  |  |  |  |  |  |  |  |
|                  |   |             | Enabled   | 1     | Read: Enabled  |  |  |  |  |  |  |  |  |  |  |  |  |  |  |  |  |  |  |  |  |  |  |  |  |  |  |
|                  |   |             | Write '1' to Enable interrupt for TRIGGERED[2] event  |       |                |  |  |  |  |  |  |  |  |  |  |  |  |  |  |  |  |  |  |  |  |  |  |  |  |  |  |
|                  |   |             | See <a href="#">EVENTS_TRIGGERED[2]</a>               |       |                |  |  |  |  |  |  |  |  |  |  |  |  |  |  |  |  |  |  |  |  |  |  |  |  |  |  |
|                  |   |             | Set   | 1     | Enable         |  |  |  |  |  |  |  |  |  |  |  |  |  |  |  |  |  |  |  |  |  |  |  |  |  |  |
|                  |   |             | Disabled  | 0     | Read: Disabled |  |  |  |  |  |  |  |  |  |  |  |  |  |  |  |  |  |  |  |  |  |  |  |  |  |  |
|                  |   |             | Enabled   | 1     | Read: Enabled  |  |  |  |  |  |  |  |  |  |  |  |  |  |  |  |  |  |  |  |  |  |  |  |  |  |  |
|                  |   |             | Write '1' to Enable interrupt for TRIGGERED[3] event  |       |                |  |  |  |  |  |  |  |  |  |  |  |  |  |  |  |  |  |  |  |  |  |  |  |  |  |  |
| D                | RW  | TRIGGERED3  | Disabled  | 0     | Read: Disabled |  |  |  |  |  |  |  |  |  |  |  |  |  |  |  |  |  |  |  |  |  |  |  |  |  |  |
|                  |   |             | Enabled   | 1     | Read: Enabled  |  |  |  |  |  |  |  |  |  |  |  |  |  |  |  |  |  |  |  |  |  |  |  |  |  |  |
|                  |   |             | Write '1' to Enable interrupt for TRIGGERED[3] event  |       |                |  |  |  |  |  |  |  |  |  |  |  |  |  |  |  |  |  |  |  |  |  |  |  |  |  |  |
|                  |   |             | See <a href="#">EVENTS_TRIGGERED[3]</a>               |       |                |  |  |  |  |  |  |  |  |  |  |  |  |  |  |  |  |  |  |  |  |  |  |  |  |  |  |
|                  |   |             | Set   | 1     | Enable         |  |  |  |  |  |  |  |  |  |  |  |  |  |  |  |  |  |  |  |  |  |  |  |  |  |  |
|                  |   |             | Disabled  | 0     | Read: Disabled |  |  |  |  |  |  |  |  |  |  |  |  |  |  |  |  |  |  |  |  |  |  |  |  |  |  |
|                  |   |             | Enabled   | 1     | Read: Enabled  |  |  |  |  |  |  |  |  |  |  |  |  |  |  |  |  |  |  |  |  |  |  |  |  |  |  |
|                  |   |             | Write '1' to Enable interrupt for TRIGGERED[4] event  |       |                |  |  |  |  |  |  |  |  |  |  |  |  |  |  |  |  |  |  |  |  |  |  |  |  |  |  |
| E                | RW  | TRIGGERED4  | Disabled  | 0     | Read: Disabled |  |  |  |  |  |  |  |  |  |  |  |  |  |  |  |  |  |  |  |  |  |  |  |  |  |  |
|                  |   |             | Enabled   | 1     | Read: Enabled  |  |  |  |  |  |  |  |  |  |  |  |  |  |  |  |  |  |  |  |  |  |  |  |  |  |  |
|                  |   |             | Write '1' to Enable interrupt for TRIGGERED[4] event  |       |                |  |  |  |  |  |  |  |  |  |  |  |  |  |  |  |  |  |  |  |  |  |  |  |  |  |  |
|                  |   |             | See <a href="#">EVENTS_TRIGGERED[4]</a>               |       |                |  |  |  |  |  |  |  |  |  |  |  |  |  |  |  |  |  |  |  |  |  |  |  |  |  |  |
|                  |   |             | Set   | 1     | Enable         |  |  |  |  |  |  |  |  |  |  |  |  |  |  |  |  |  |  |  |  |  |  |  |  |  |  |
|                  |   |             | Disabled  | 0     | Read: Disabled |  |  |  |  |  |  |  |  |  |  |  |  |  |  |  |  |  |  |  |  |  |  |  |  |  |  |
|                  |   |             | Enabled   | 1     | Read: Enabled  |  |  |  |  |  |  |  |  |  |  |  |  |  |  |  |  |  |  |  |  |  |  |  |  |  |  |
|                  |   |             | Write '1' to Enable interrupt for TRIGGERED[5] event  |       |                |  |  |  |  |  |  |  |  |  |  |  |  |  |  |  |  |  |  |  |  |  |  |  |  |  |  |
| F                | RW  | TRIGGERED5  | Disabled  | 0     | Read: Disabled |  |  |  |  |  |  |  |  |  |  |  |  |  |  |  |  |  |  |  |  |  |  |  |  |  |  |
|                  |   |             | Enabled   | 1     | Read: Enabled  |  |  |  |  |  |  |  |  |  |  |  |  |  |  |  |  |  |  |  |  |  |  |  |  |  |  |
|                  |   |             | Write '1' to Enable interrupt for TRIGGERED[5] event  |       |                |  |  |  |  |  |  |  |  |  |  |  |  |  |  |  |  |  |  |  |  |  |  |  |  |  |  |
|                  |   |             | See <a href="#">EVENTS_TRIGGERED[5]</a>               |       |                |  |  |  |  |  |  |  |  |  |  |  |  |  |  |  |  |  |  |  |  |  |  |  |  |  |  |
|                  |   |             | Set   | 1     | Enable         |  |  |  |  |  |  |  |  |  |  |  |  |  |  |  |  |  |  |  |  |  |  |  |  |  |  |
|                  |   |             | Disabled  | 0     | Read: Disabled |  |  |  |  |  |  |  |  |  |  |  |  |  |  |  |  |  |  |  |  |  |  |  |  |  |  |
|                  |   |             | Enabled   | 1     | Read: Enabled  |  |  |  |  |  |  |  |  |  |  |  |  |  |  |  |  |  |  |  |  |  |  |  |  |  |  |
|                  |   |             | Write '1' to Enable interrupt for TRIGGERED[6] event  |       |                |  |  |  |  |  |  |  |  |  |  |  |  |  |  |  |  |  |  |  |  |  |  |  |  |  |  |
| G                | RW  | TRIGGERED6  | Disabled  | 0     | Read: Disabled |  |  |  |  |  |  |  |  |  |  |  |  |  |  |  |  |  |  |  |  |  |  |  |  |  |  |
|                  |   |             | Enabled   | 1     | Read: Enabled  |  |  |  |  |  |  |  |  |  |  |  |  |  |  |  |  |  |  |  |  |  |  |  |  |  |  |
|                  |   |             | Write '1' to Enable interrupt for TRIGGERED[6] event  |       |                |  |  |  |  |  |  |  |  |  |  |  |  |  |  |  |  |  |  |  |  |  |  |  |  |  |  |
|                  |   |             | See <a href="#">EVENTS_TRIGGERED[6]</a>               |       |                |  |  |  |  |  |  |  |  |  |  |  |  |  |  |  |  |  |  |  |  |  |  |  |  |  |  |
|                  |   |             | Set   | 1     | Enable         |  |  |  |  |  |  |  |  |  |  |  |  |  |  |  |  |  |  |  |  |  |  |  |  |  |  |
|                  |   |             | Disabled  | 0     | Read: Disabled |  |  |  |  |  |  |  |  |  |  |  |  |  |  |  |  |  |  |  |  |  |  |  |  |  |  |
|                  |   |             | Enabled   | 1     | Read: Enabled  |  |  |  |  |  |  |  |  |  |  |  |  |  |  |  |  |  |  |  |  |  |  |  |  |  |  |
|                  |   |             | Write '1' to Enable interrupt for TRIGGERED[7] event  |       |                |  |  |  |  |  |  |  |  |  |  |  |  |  |  |  |  |  |  |  |  |  |  |  |  |  |  |
| H                | RW  | TRIGGERED7  | Disabled  | 0     | Read: Disabled |  |  |  |  |  |  |  |  |  |  |  |  |  |  |  |  |  |  |  |  |  |  |  |  |  |  |
|                  |   |             | Enabled   | 1     | Read: Enabled  |  |  |  |  |  |  |  |  |  |  |  |  |  |  |  |  |  |  |  |  |  |  |  |  |  |  |
|                  |   |             | Write '1' to Enable interrupt for TRIGGERED[7] event  |       |                |  |  |  |  |  |  |  |  |  |  |  |  |  |  |  |  |  |  |  |  |  |  |  |  |  |  |
|                  |   |             | See <a href="#">EVENTS_TRIGGERED[7]</a>               |       |                |  |  |  |  |  |  |  |  |  |  |  |  |  |  |  |  |  |  |  |  |  |  |  |  |  |  |
|                  |   |             | Set   | 1     | Enable         |  |  |  |  |  |  |  |  |  |  |  |  |  |  |  |  |  |  |  |  |  |  |  |  |  |  |
|                  |   |             | Disabled  | 0     | Read: Disabled |  |  |  |  |  |  |  |  |  |  |  |  |  |  |  |  |  |  |  |  |  |  |  |  |  |  |
|                  |   |             | Enabled   | 1     | Read: Enabled  |  |  |  |  |  |  |  |  |  |  |  |  |  |  |  |  |  |  |  |  |  |  |  |  |  |  |
|                  |   |             | Write '1' to Enable interrupt for TRIGGERED[8] event  |       |                |  |  |  |  |  |  |  |  |  |  |  |  |  |  |  |  |  |  |  |  |  |  |  |  |  |  |
| I                | RW  | TRIGGERED8  | Disabled  | 0     | Read: Disabled |  |  |  |  |  |  |  |  |  |  |  |  |  |  |  |  |  |  |  |  |  |  |  |  |  |  |
|                  |   |             | Enabled   | 1     | Read: Enabled  |  |  |  |  |  |  |  |  |  |  |  |  |  |  |  |  |  |  |  |  |  |  |  |  |  |  |
|                  |   |             | Write '1' to Enable interrupt for TRIGGERED[8] event  |       |                |  |  |  |  |  |  |  |  |  |  |  |  |  |  |  |  |  |  |  |  |  |  |  |  |  |  |
|                  |   |             | See <a href="#">EVENTS_TRIGGERED[8]</a>               |       |                |  |  |  |  |  |  |  |  |  |  |  |  |  |  |  |  |  |  |  |  |  |  |  |  |  |  |
|                  |   |             | Set   | 1     | Enable         |  |  |  |  |  |  |  |  |  |  |  |  |  |  |  |  |  |  |  |  |  |  |  |  |  |  |
|                  |   |             | Disabled  | 0     | Read: Disabled |  |  |  |  |  |  |  |  |  |  |  |  |  |  |  |  |  |  |  |  |  |  |  |  |  |  |
|                  |   |             | Enabled   | 1     | Read: Enabled  |  |  |  |  |  |  |  |  |  |  |  |  |  |  |  |  |  |  |  |  |  |  |  |  |  |  |
|                  |   |             | Write '1' to Enable interrupt for TRIGGERED[9] event  |       |                |  |  |  |  |  |  |  |  |  |  |  |  |  |  |  |  |  |  |  |  |  |  |  |  |  |  |
| J                | RW  | TRIGGERED9  | Disabled  | 0     | Read: Disabled |  |  |  |  |  |  |  |  |  |  |  |  |  |  |  |  |  |  |  |  |  |  |  |  |  |  |
|                  |   |             | Enabled   | 1     | Read: Enabled  |  |  |  |  |  |  |  |  |  |  |  |  |  |  |  |  |  |  |  |  |  |  |  |  |  |  |
|                  |   |             | Write '1' to Enable interrupt for TRIGGERED[9] event  |       |                |  |  |  |  |  |  |  |  |  |  |  |  |  |  |  |  |  |  |  |  |  |  |  |  |  |  |
|                  |   |             | See <a href="#">EVENTS_TRIGGERED[9]</a>               |       |                |  |  |  |  |  |  |  |  |  |  |  |  |  |  |  |  |  |  |  |  |  |  |  |  |  |  |
|                  |   |             | Set   | 1     | Enable         |  |  |  |  |  |  |  |  |  |  |  |  |  |  |  |  |  |  |  |  |  |  |  |  |  |  |
|                  |   |             | Disabled  | 0     | Read: Disabled |  |  |  |  |  |  |  |  |  |  |  |  |  |  |  |  |  |  |  |  |  |  |  |  |  |  |
|                  |   |             | Enabled   | 1     | Read: Enabled  |  |  |  |  |  |  |  |  |  |  |  |  |  |  |  |  |  |  |  |  |  |  |  |  |  |  |
|                  |   |             | Write '1' to Enable interrupt for TRIGGERED[10] event |       |                |  |  |  |  |  |  |  |  |  |  |  |  |  |  |  |  |  |  |  |  |  |  |  |  |  |  |
| K                | RW  | TRIGGERED10 | Disabled  | 0     | Read: Disabled |  |  |  |  |  |  |  |  |  |  |  |  |  |  |  |  |  |  |  |  |  |  |  |  |  |  |
|                  |   |             | Enabled   | 1     | Read: Enabled  |  |  |  |  |  |  |  |  |  |  |  |  |  |  |  |  |  |  |  |  |  |  |  |  |  |  |
|                  |   |             | Write '1' to Enable interrupt for TRIGGERED[10] event |       |                |  |  |  |  |  |  |  |  |  |  |  |  |  |  |  |  |  |  |  |  |  |  |  |  |  |  |
|                  |   |             | See <a href="#">EVENTS_TRIGGERED[10]</a>              |       |                |  |  |  |  |  |  |  |  |  |  |  |  |  |  |  |  |  |  |  |  |  |  |  |  |  |  |
|                  |   |             | Set   | 1     | Enable         |  |  |  |  |  |  |  |  |  |  |  |  |  |  |  |  |  |  |  |  |  |  |  |  |  |  |
|                  |   |             | Disabled  | 0     | Read: Disabled |  |  |  |  |  |  |  |  |  |  |  |  |  |  |  |  |  |  |  |  |  |  |  |  |  |  |
|                  |   |             | Enabled   | 1     | Read: Enabled  |  |  |  |  |  |  |  |  |  |  |  |  |  |  |  |  |  |  |  |  |  |  |  |  |  |  |
|                  |   |             | Write '1' to Enable interrupt for TRIGGERED[11] event |       |                |  |  |  |  |  |  |  |  |  |  |  |  |  |  |  |  |  |  |  |  |  |  |  |  |  |  |
| L                | RW  | TRIGGERED11 | Disabled  | 0     | Read: Disabled |  |  |  |  |  |  |  |  |  |  |  |  |  |  |  |  |  |  |  |  |  |  |  |  |  |  |
|                  |   |             | Enabled   | 1     | Read: Enabled  |  |  |  |  |  |  |  |  |  |  |  |  |  |  |  |  |  |  |  |  |  |  |  |  |  |  |
|                  |   |             | Write '1' to Enable interrupt for TRIGGERED[11] event |       |                |  |  |  |  |  |  |  |  |  |  |  |  |  |  |  |  |  |  |  |  |  |  |  |  |  |  |
|                  |   |             | See <a href="#">EVENTS_TRIGGERED[11]</a>              |       |                |  |  |  |  |  |  |  |  |  |  |  |  |  |  |  |  |  |  |  |  |  |  |  |  |  |  |
|                  |   |             | Set   | 1     | Enable         |  |  |  |  |  |  |  |  |  |  |  |  |  |  |  |  |  |  |  |  |  |  |  |  |  |  |
|                  |   |             | Disabled  | 0     | Read: Disabled |  |  |  |  |  |  |  |  |  |  |  |  |  |  |  |  |  |  |  |  |  |  |  |  |  |  |

| Bit number       | 31 30 29 28 27 26 25 24 23 22 21 20 19 18 17 16 15 14 13 12 11 10 9 8 7 6 5 4 3 2 1 0 |             |          |       |   |  |  |  |  |  |  |  |  |  |  |  |  |  |  |  |  |  |  |  |  |  |  |  |  |  |  |
|------------------|---|-------------|----------|-------|---|--|--|--|--|--|--|--|--|--|--|--|--|--|--|--|--|--|--|--|--|--|--|--|--|--|--|
| Id               | P O N M L K J I H G F E D C B A   |             |          |       |   |  |  |  |  |  |  |  |  |  |  |  |  |  |  |  |  |  |  |  |  |  |  |  |  |  |  |
| Reset 0x00000000 | 0             |             |          |       |   |  |  |  |  |  |  |  |  |  |  |  |  |  |  |  |  |  |  |  |  |  |  |  |  |  |  |
| Id               | RW  | Field       | Value Id | Value | Description   |  |  |  |  |  |  |  |  |  |  |  |  |  |  |  |  |  |  |  |  |  |  |  |  |  |  |
| M                | RW  | TRIGGERED12 | Enabled  | 1     | Read: Enabled   |  |  |  |  |  |  |  |  |  |  |  |  |  |  |  |  |  |  |  |  |  |  |  |  |  |  |
|                  |   |             | Set      | 1     | Enable  |  |  |  |  |  |  |  |  |  |  |  |  |  |  |  |  |  |  |  |  |  |  |  |  |  |  |
|                  |   |             | Disabled | 0     | Read: Disabled  |  |  |  |  |  |  |  |  |  |  |  |  |  |  |  |  |  |  |  |  |  |  |  |  |  |  |
|                  |   |             | Enabled  | 1     | Read: Enabled   |  |  |  |  |  |  |  |  |  |  |  |  |  |  |  |  |  |  |  |  |  |  |  |  |  |  |
| N                | RW  | TRIGGERED13 |          |       | Write '1' to Enable interrupt for TRIGGERED[13] event |  |  |  |  |  |  |  |  |  |  |  |  |  |  |  |  |  |  |  |  |  |  |  |  |  |  |
|                  |   |             | Set      | 1     | Enable  |  |  |  |  |  |  |  |  |  |  |  |  |  |  |  |  |  |  |  |  |  |  |  |  |  |  |
|                  |   |             | Disabled | 0     | Read: Disabled  |  |  |  |  |  |  |  |  |  |  |  |  |  |  |  |  |  |  |  |  |  |  |  |  |  |  |
|                  |   |             | Enabled  | 1     | Read: Enabled   |  |  |  |  |  |  |  |  |  |  |  |  |  |  |  |  |  |  |  |  |  |  |  |  |  |  |
| O                | RW  | TRIGGERED14 |          |       | Write '1' to Enable interrupt for TRIGGERED[14] event |  |  |  |  |  |  |  |  |  |  |  |  |  |  |  |  |  |  |  |  |  |  |  |  |  |  |
|                  |   |             | Set      | 1     | Enable  |  |  |  |  |  |  |  |  |  |  |  |  |  |  |  |  |  |  |  |  |  |  |  |  |  |  |
|                  |   |             | Disabled | 0     | Read: Disabled  |  |  |  |  |  |  |  |  |  |  |  |  |  |  |  |  |  |  |  |  |  |  |  |  |  |  |
|                  |   |             | Enabled  | 1     | Read: Enabled   |  |  |  |  |  |  |  |  |  |  |  |  |  |  |  |  |  |  |  |  |  |  |  |  |  |  |
| P                | RW  | TRIGGERED15 |          |       | Write '1' to Enable interrupt for TRIGGERED[15] event |  |  |  |  |  |  |  |  |  |  |  |  |  |  |  |  |  |  |  |  |  |  |  |  |  |  |
|                  |   |             | Set      | 1     | Enable  |  |  |  |  |  |  |  |  |  |  |  |  |  |  |  |  |  |  |  |  |  |  |  |  |  |  |
|                  |   |             | Disabled | 0     | Read: Disabled  |  |  |  |  |  |  |  |  |  |  |  |  |  |  |  |  |  |  |  |  |  |  |  |  |  |  |
|                  |   |             | Enabled  | 1     | Read: Enabled   |  |  |  |  |  |  |  |  |  |  |  |  |  |  |  |  |  |  |  |  |  |  |  |  |  |  |

### 46.1.3 INTENCLR

Address offset: 0x308

Disable interrupt

| Bit number       | 31 30 29 28 27 26 25 24 23 22 21 20 19 18 17 16 15 14 13 12 11 10 9 8 7 6 5 4 3 2 1 0 |            |          |       |   |  |  |  |  |  |  |  |  |  |  |  |  |  |  |  |  |  |  |  |  |  |  |  |  |  |  |
|------------------|---|------------|----------|-------|---|--|--|--|--|--|--|--|--|--|--|--|--|--|--|--|--|--|--|--|--|--|--|--|--|--|--|
| Id               | P O N M L K J I H G F E D C B A   |            |          |       |   |  |  |  |  |  |  |  |  |  |  |  |  |  |  |  |  |  |  |  |  |  |  |  |  |  |  |
| Reset 0x00000000 | 0             |            |          |       |   |  |  |  |  |  |  |  |  |  |  |  |  |  |  |  |  |  |  |  |  |  |  |  |  |  |  |
| Id               | RW  | Field      | Value Id | Value | Description   |  |  |  |  |  |  |  |  |  |  |  |  |  |  |  |  |  |  |  |  |  |  |  |  |  |  |
| A                | RW  | TRIGGERED0 |          |       | Write '1' to Disable interrupt for TRIGGERED[0] event |  |  |  |  |  |  |  |  |  |  |  |  |  |  |  |  |  |  |  |  |  |  |  |  |  |  |
|                  |   |            | Clear    | 1     | Disable   |  |  |  |  |  |  |  |  |  |  |  |  |  |  |  |  |  |  |  |  |  |  |  |  |  |  |
|                  |   |            | Disabled | 0     | Read: Disabled  |  |  |  |  |  |  |  |  |  |  |  |  |  |  |  |  |  |  |  |  |  |  |  |  |  |  |
|                  |   |            | Enabled  | 1     | Read: Enabled   |  |  |  |  |  |  |  |  |  |  |  |  |  |  |  |  |  |  |  |  |  |  |  |  |  |  |
| B                | RW  | TRIGGERED1 |          |       | Write '1' to Disable interrupt for TRIGGERED[1] event |  |  |  |  |  |  |  |  |  |  |  |  |  |  |  |  |  |  |  |  |  |  |  |  |  |  |
|                  |   |            | Clear    | 1     | Disable   |  |  |  |  |  |  |  |  |  |  |  |  |  |  |  |  |  |  |  |  |  |  |  |  |  |  |
|                  |   |            | Disabled | 0     | Read: Disabled  |  |  |  |  |  |  |  |  |  |  |  |  |  |  |  |  |  |  |  |  |  |  |  |  |  |  |
|                  |   |            | Enabled  | 1     | Read: Enabled   |  |  |  |  |  |  |  |  |  |  |  |  |  |  |  |  |  |  |  |  |  |  |  |  |  |  |
| C                | RW  | TRIGGERED2 |          |       | Write '1' to Disable interrupt for TRIGGERED[2] event |  |  |  |  |  |  |  |  |  |  |  |  |  |  |  |  |  |  |  |  |  |  |  |  |  |  |
|                  |   |            | Clear    | 1     | Disable   |  |  |  |  |  |  |  |  |  |  |  |  |  |  |  |  |  |  |  |  |  |  |  |  |  |  |
|                  |   |            | Disabled | 0     | Read: Disabled  |  |  |  |  |  |  |  |  |  |  |  |  |  |  |  |  |  |  |  |  |  |  |  |  |  |  |
|                  |   |            | Enabled  | 1     | Read: Enabled   |  |  |  |  |  |  |  |  |  |  |  |  |  |  |  |  |  |  |  |  |  |  |  |  |  |  |
| D                | RW  | TRIGGERED3 |          |       | Write '1' to Disable interrupt for TRIGGERED[3] event |  |  |  |  |  |  |  |  |  |  |  |  |  |  |  |  |  |  |  |  |  |  |  |  |  |  |
|                  |   |            | Clear    | 1     | Disable   |  |  |  |  |  |  |  |  |  |  |  |  |  |  |  |  |  |  |  |  |  |  |  |  |  |  |
|                  |   |            | Disabled | 0     | Read: Disabled  |  |  |  |  |  |  |  |  |  |  |  |  |  |  |  |  |  |  |  |  |  |  |  |  |  |  |
|                  |   |            | Enabled  | 1     | Read: Enabled   |  |  |  |  |  |  |  |  |  |  |  |  |  |  |  |  |  |  |  |  |  |  |  |  |  |  |
| E                | RW  | TRIGGERED4 |          |       | Write '1' to Disable interrupt for TRIGGERED[4] event |  |  |  |  |  |  |  |  |  |  |  |  |  |  |  |  |  |  |  |  |  |  |  |  |  |  |

|                  |    |    |    |    |    |    |    |    |    |    |    |    |    |    |    |    |    |    |    |    |    |    |   |   |   |   |   |   |   |   |   |   |   |   |   |
|------------------|----|----|----|----|----|----|----|----|----|----|----|----|----|----|----|----|----|----|----|----|----|----|---|---|---|---|---|---|---|---|---|---|---|---|---|
| Bit number       | 31 | 30 | 29 | 28 | 27 | 26 | 25 | 24 | 23 | 22 | 21 | 20 | 19 | 18 | 17 | 16 | 15 | 14 | 13 | 12 | 11 | 10 | 9 | 8 | 7 | 6 | 5 | 4 | 3 | 2 | 1 | 0 |   |   |   |
| Id               |    |    |    |    |    |    |    |    |    |    |    |    |    |    |    |    |    |    |    | P  | O  | N  | M | L | K | J | I | H | G | F | E | D | C | B | A |
| Reset 0x00000000 | 0  | 0  | 0  | 0  | 0  | 0  | 0  | 0  | 0  | 0  | 0  | 0  | 0  | 0  | 0  | 0  | 0  | 0  | 0  | 0  | 0  | 0  | 0 | 0 | 0 | 0 | 0 | 0 | 0 | 0 | 0 | 0 | 0 | 0 | 0 |

| Id | RW | Field       | Value Id | Value | Description  |
|----|----|-------------|----------|-------|--|
|    |    |             | Clear    | 1     | See <a href="#">EVENTS_TRIGGERED[4]</a><br>Disable   |
|    |    |             | Disabled | 0     | Read: Disabled   |
|    |    |             | Enabled  | 1     | Read: Enabled  |
| F  | RW | TRIGGERED5  |          |       | Write '1' to Disable interrupt for TRIGGERED[5] event<br><br>See <a href="#">EVENTS_TRIGGERED[5]</a>   |
|    |    |             | Clear    | 1     | Disable  |
|    |    |             | Disabled | 0     | Read: Disabled   |
|    |    |             | Enabled  | 1     | Read: Enabled  |
| G  | RW | TRIGGERED6  |          |       | Write '1' to Disable interrupt for TRIGGERED[6] event<br><br>See <a href="#">EVENTS_TRIGGERED[6]</a>   |
|    |    |             | Clear    | 1     | Disable  |
|    |    |             | Disabled | 0     | Read: Disabled   |
|    |    |             | Enabled  | 1     | Read: Enabled  |
| H  | RW | TRIGGERED7  |          |       | Write '1' to Disable interrupt for TRIGGERED[7] event<br><br>See <a href="#">EVENTS_TRIGGERED[7]</a>   |
|    |    |             | Clear    | 1     | Disable  |
|    |    |             | Disabled | 0     | Read: Disabled   |
|    |    |             | Enabled  | 1     | Read: Enabled  |
| I  | RW | TRIGGERED8  |          |       | Write '1' to Disable interrupt for TRIGGERED[8] event<br><br>See <a href="#">EVENTS_TRIGGERED[8]</a>   |
|    |    |             | Clear    | 1     | Disable  |
|    |    |             | Disabled | 0     | Read: Disabled   |
|    |    |             | Enabled  | 1     | Read: Enabled  |
| J  | RW | TRIGGERED9  |          |       | Write '1' to Disable interrupt for TRIGGERED[9] event<br><br>See <a href="#">EVENTS_TRIGGERED[9]</a>   |
|    |    |             | Clear    | 1     | Disable  |
|    |    |             | Disabled | 0     | Read: Disabled   |
|    |    |             | Enabled  | 1     | Read: Enabled  |
| K  | RW | TRIGGERED10 |          |       | Write '1' to Disable interrupt for TRIGGERED[10] event<br><br>See <a href="#">EVENTS_TRIGGERED[10]</a> |
|    |    |             | Clear    | 1     | Disable  |
|    |    |             | Disabled | 0     | Read: Disabled   |
|    |    |             | Enabled  | 1     | Read: Enabled  |
| L  | RW | TRIGGERED11 |          |       | Write '1' to Disable interrupt for TRIGGERED[11] event<br><br>See <a href="#">EVENTS_TRIGGERED[11]</a> |
|    |    |             | Clear    | 1     | Disable  |
|    |    |             | Disabled | 0     | Read: Disabled   |
|    |    |             | Enabled  | 1     | Read: Enabled  |
| M  | RW | TRIGGERED12 |          |       | Write '1' to Disable interrupt for TRIGGERED[12] event<br><br>See <a href="#">EVENTS_TRIGGERED[12]</a> |
|    |    |             | Clear    | 1     | Disable  |
|    |    |             | Disabled | 0     | Read: Disabled   |
|    |    |             | Enabled  | 1     | Read: Enabled  |
| N  | RW | TRIGGERED13 |          |       | Write '1' to Disable interrupt for TRIGGERED[13] event<br><br>See <a href="#">EVENTS_TRIGGERED[13]</a> |
|    |    |             | Clear    | 1     | Disable  |
|    |    |             | Disabled | 0     | Read: Disabled   |
|    |    |             | Enabled  | 1     | Read: Enabled  |
| O  | RW | TRIGGERED14 |          |       | Write '1' to Disable interrupt for TRIGGERED[14] event<br><br>See <a href="#">EVENTS_TRIGGERED[14]</a> |

| Bit number       | 31  | 30          | 29       | 28    | 27   | 26 | 25 | 24 | 23 | 22 | 21 | 20 | 19 | 18 | 17 | 16 | 15 | 14 | 13 | 12 | 11 | 10 | 9 | 8 | 7 | 6 | 5 | 4 | 3 | 2 | 1 | 0 |  |  |  |  |  |  |  |  |  |  |
|------------------|---|-------------|----------|-------|--|----|----|----|----|----|----|----|----|----|----|----|----|----|----|----|----|----|---|---|---|---|---|---|---|---|---|---|--|--|--|--|--|--|--|--|--|--|
| Id               |   |             |          |       |  |    |    |    |    |    |    |    |    |    |    |    | P  | O  | N  | M  | L  | K  | J | I | H | G | F | E | D | C | B | A |  |  |  |  |  |  |  |  |  |  |
| Reset 0x00000000 | 0 |             |          |       |  |    |    |    |    |    |    |    |    |    |    |    |    |    |    |    |    |    |   |   |   |   |   |   |   |   |   |   |  |  |  |  |  |  |  |  |  |  |
| Id               | RW  | Field       | Value Id | Value | Description  |    |    |    |    |    |    |    |    |    |    |    |    |    |    |    |    |    |   |   |   |   |   |   |   |   |   |   |  |  |  |  |  |  |  |  |  |  |
|                  |   |             | Clear    | 1     | Disable  |    |    |    |    |    |    |    |    |    |    |    |    |    |    |    |    |    |   |   |   |   |   |   |   |   |   |   |  |  |  |  |  |  |  |  |  |  |
|                  |   |             | Disabled | 0     | Read: Disabled   |    |    |    |    |    |    |    |    |    |    |    |    |    |    |    |    |    |   |   |   |   |   |   |   |   |   |   |  |  |  |  |  |  |  |  |  |  |
|                  |   |             | Enabled  | 1     | Read: Enabled  |    |    |    |    |    |    |    |    |    |    |    |    |    |    |    |    |    |   |   |   |   |   |   |   |   |   |   |  |  |  |  |  |  |  |  |  |  |
| P                | RW  | TRIGGERED15 |          |       | Write '1' to Disable interrupt for TRIGGERED[15] event |    |    |    |    |    |    |    |    |    |    |    |    |    |    |    |    |    |   |   |   |   |   |   |   |   |   |   |  |  |  |  |  |  |  |  |  |  |
|                  |   |             |          |       | See <a href="#">EVENTS_TRIGGERED[15]</a>               |    |    |    |    |    |    |    |    |    |    |    |    |    |    |    |    |    |   |   |   |   |   |   |   |   |   |   |  |  |  |  |  |  |  |  |  |  |
|                  |   |             | Clear    | 1     | Disable  |    |    |    |    |    |    |    |    |    |    |    |    |    |    |    |    |    |   |   |   |   |   |   |   |   |   |   |  |  |  |  |  |  |  |  |  |  |
|                  |   |             | Disabled | 0     | Read: Disabled   |    |    |    |    |    |    |    |    |    |    |    |    |    |    |    |    |    |   |   |   |   |   |   |   |   |   |   |  |  |  |  |  |  |  |  |  |  |
|                  |   |             | Enabled  | 1     | Read: Enabled  |    |    |    |    |    |    |    |    |    |    |    |    |    |    |    |    |    |   |   |   |   |   |   |   |   |   |   |  |  |  |  |  |  |  |  |  |  |

## 46.2 Electrical specification

### 46.2.1 EGU Electrical Specification

| Symbol               | Description   | Min. | Typ. | Max. | Units  |
|----------------------|---|------|------|------|--------|
| $t_{\text{EGU,EVT}}$ | Latency between setting an EGU event flag and the system setting an interrupt |      | 1    |      | cycles |

## 47 PWM — Pulse width modulation

The PWM module enables the generation of pulse width modulated signals on GPIO. The module implements an up or up-and-down counter with four PWM channels that drive assigned GPIOs.

Three PWM modules can provide up to 12 PWM channels with individual frequency control in groups of up to four channels. Furthermore, a built-in decoder and EasyDMA capabilities make it possible to manipulate the PWM duty cycles without CPU intervention. Arbitrary duty-cycle sequences are read from Data RAM and can be chained to implement ping-pong buffering or repeated into complex loops.

Listed here are the main features of one PWM module:

- Fixed PWM base frequency with programmable clock divider
- Up to four PWM channels with individual polarity and duty-cycle values
- Edge or center-aligned pulses across PWM channels
- Multiple duty-cycle arrays (sequences) defined in Data RAM
- Autonomous and glitch-free update of duty cycle values directly from memory through EasyDMA
- Change of polarity, duty-cycle, and base frequency possibly on every PWM period
- Data RAM sequences can be repeated or connected into loops



Figure 141: PWM Module

### 47.1 Wave counter

The wave counter is responsible for generating the pulses at a duty-cycle that depends on the compare values, and at a frequency that depends on COUNTERTOP.

There is one common 15-bit counter with four compare channels. Thus, all four channels will share the same period (PWM frequency), but can have individual duty-cycle and polarity. The polarity is set by the value read from RAM (see [Figure 144: Decoder memory access modes](#) on page 499), while the MODE register controls if the counter counts up, or up and down. The timer top value is controlled by the COUNTERTOP register. This register value in conjunction with the selected PRESCALER of the PWM\_CLK will result in a given PWM period. A COUNTERTOP value smaller than the compare setting will result in a state where no PWM edges are generated. Respectively, OUT[n] is held high, given that the polarity is set to FallingEdge. All the compare registers are internal and can only be configured through the decoder presented later.

COUNTERTOP can be safely written at any time. It will get sampled following a START task. If DECODER.LOAD is anything else than WaveForm, it will also get sampled following a STARTSEQ[n] task,



and when loading a new value from RAM during a sequence playback. If `DECODER.LOAD=WaveForm`, the register value is ignored, and taken from RAM instead (see [Decoder with EasyDMA](#) on page 499 below).

[Figure 142: PWM up counter example - FallingEdge polarity](#) on page 497 shows the counter operating in up (`MODE=PWM_MODE_Up`) mode with three PWM channels with the same frequency but different duty cycle. The counter is automatically reset to zero when `COUNTERTOP` is reached and `OUT[n]` will invert. `OUT[n]` is held low if the compare value is 0 and held high respectively if set to `COUNTERTOP` given that the polarity is set to `FallingEdge`. Running in up counter mode will result in pulse widths that are edge-aligned. See the code example below:

```
uint16_t pwm_seq[4] = {PWM_CH0_DUTY, PWM_CH1_DUTY, PWM_CH2_DUTY,
    PWM_CH3_DUTY};
NRF_PWM0->PSEL.OUT[0] = (first_pin << PWM_PSEL_OUT_PIN_Pos) |
    (PWM_PSEL_OUT_CONNECT_Connected <<
        PWM_PSEL_OUT_CONNECT_Pos);
NRF_PWM0->PSEL.OUT[1] = (second_pin << PWM_PSEL_OUT_PIN_Pos) |
    (PWM_PSEL_OUT_CONNECT_Connected <<
        PWM_PSEL_OUT_CONNECT_Pos);
NRF_PWM0->ENABLE = (PWM_ENABLE_ENABLE_Enabled << PWM_ENABLE_ENABLE_Pos);
NRF_PWM0->MODE = (PWM_MODE_UPDOWN_Up << PWM_MODE_UPDOWN_Pos);
NRF_PWM0->PRESCALER = (PWM_PRESCALER_PRESCALER_DIV_1 <<
    PWM_PRESCALER_PRESCALER_Pos);
NRF_PWM0->COUNTERTOP = (16000 << PWM_COUNTERTOP_COUNTERTOP_Pos); //1 msec
NRF_PWM0->LOOP = (PWM_LOOP_CNT_Disabled << PWM_LOOP_CNT_Pos);
NRF_PWM0->DECODER = (PWM_DECODER_LOAD_Individual << PWM_DECODER_LOAD_Pos) |
    (PWM_DECODER_MODE_RefreshCount << PWM_DECODER_MODE_Pos);
NRF_PWM0->SEQ[0].PTR = ((uint32_t)pwm_seq) << PWM_SEQ_PTR_PTR_Pos;
NRF_PWM0->SEQ[0].CNT = ((sizeof(pwm_seq) / sizeof(uint16_t)) <<
    PWM_SEQ_CNT_CNT_Pos);
NRF_PWM0->SEQ[0].REFRESH = 0;
NRF_PWM0->SEQ[0].ENDDELAY = 0;
NRF_PWM0->TASKS_SEQSTART[0] = 1;
```



**Figure 142: PWM up counter example - FallingEdge polarity**

In up counting mode, the following formula can be used to compute PWM period and step size:

$$\text{PWM period: } T_{\text{PWM}}(\text{Up}) = T_{\text{PWM\_CLK}} * \text{COUNTERTOP}$$

$$\text{Step width/Resolution: } T_{\text{steps}} = T_{\text{PWM\_CLK}}$$

*Figure 143: PWM up-and-down counter example* on page 498 shows the counter operating in up and down mode with (MODE=PWM\_MODE\_UpAndDown) two PWM channels with the same frequency but different duty cycle and output polarity. The counter starts decrementing to zero when COUNTERTOP is reached and will invert the OUT[n] when compare value is hit for the second time. This results in a set of pulses that are center- aligned.

```
uint16_t pwm_seq[4] = {PWM_CH0_DUTY, PWM_CH1_DUTY, PWM_CH2_DUTY,
    PWM_CH3_DUTY};
NRF_PWM0->PSEL.OUT[0] = (first_pin << PWM_PSEL_OUT_PIN_Pos) |
    (PWM_PSEL_OUT_CONNECT_Connected <<
        PWM_PSEL_OUT_CONNECT_Pos);
NRF_PWM0->PSEL.OUT[1] = (second_pin << PWM_PSEL_OUT_PIN_Pos) |
    (PWM_PSEL_OUT_CONNECT_Connected <<
        PWM_PSEL_OUT_CONNECT_Pos);
NRF_PWM0->ENABLE = (PWM_ENABLE_ENABLE_Enabled << PWM_ENABLE_ENABLE_Pos);
NRF_PWM0->MODE = (PWM_MODE_UPDOWN_UpAndDown << PWM_MODE_UPDOWN_Pos);
NRF_PWM0->PRESCALER = (PWM_PRESCALER_PRESCALER_DIV_1 <<
    PWM_PRESCALER_PRESCALER_Pos);
NRF_PWM0->COUNTERTOP = (16000 << PWM_COUNTERTOP_COUNTERTOP_Pos); //1 msec
NRF_PWM0->LOOP = (PWM_LOOP_CNT_Disabled << PWM_LOOP_CNT_Pos);
NRF_PWM0->DECODER = (PWM_DECODER_LOAD_Individual << PWM_DECODER_LOAD_Pos) |
    (PWM_DECODER_MODE_RefreshCount << PWM_DECODER_MODE_Pos);
NRF_PWM0->SEQ[0].PTR = ((uint32_t)(pwm_seq) << PWM_SEQ_PTR_PTR_Pos);
NRF_PWM0->SEQ[0].CNT = ((sizeof(pwm_seq) / sizeof(uint16_t)) <<
    PWM_SEQ_CNT_CNT_Pos);
NRF_PWM0->SEQ[0].REFRESH = 0;
NRF_PWM0->SEQ[0].ENDDELAY = 0;
NRF_PWM0->TASKS_SEQSTART[0] = 1;
```



**Figure 143: PWM up-and-down counter example**

In up-and-down counting modes, the following formula can be used to compute PWM period and step size:

$$T_{\text{PWM(Up And Down)}} = T_{\text{PWM\_CLK}} * 2 * \text{COUNTERTOP}$$

$$\text{Step width/Resolution: } T_{\text{steps}} = T_{\text{PWM\_CLK}} * 2$$

## 47.2 Decoder with EasyDMA

The decoder uses EasyDMA to take PWM parameters stored in Data RAM by ways of EasyDMA and updates the internal compare registers of the wave counter based on the mode of operation.

The mentioned PWM parameters are organized into a sequence containing at least one half word (16 bit). Its most significant bit[15] denotes the polarity of the OUT[n] while bit[14:0] is the 15-bit compare value. See below for further details of these RAM defined registers.

| Bit number | 31 30 29 28 27 26 25 24 23 22 21 20 19 18 17 16 15 14 13 12 11 10 9 8 7 6 5 4 3 2 1 0 |          |             |       |  |  |  |  |  |  |  |  |  |  |  |   |   |   |   |   |   |   |   |   |   |   |   |   |   |   |   |   |   |   |   |   |   |   |   |
|------------|---|----------|-------------|-------|--|--|--|--|--|--|--|--|--|--|--|---|---|---|---|---|---|---|---|---|---|---|---|---|---|---|---|---|---|---|---|---|---|---|---|
| Id         |   |          |             |       |  |  |  |  |  |  |  |  |  |  |  | B | A | A | A | A | A | A | A | A | A | A | A | A | A | A | A |   |   |   |   |   |   |   |   |
| Reset      | 0x00000000  |          |             |       |  |  |  |  |  |  |  |  |  |  |  | 0 | 0 | 0 | 0 | 0 | 0 | 0 | 0 | 0 | 0 | 0 | 0 | 0 | 0 | 0 | 0 | 0 | 0 | 0 | 0 | 0 | 0 | 0 | 0 |
| Id         | RW  | Field    | Value Id    | Value | Description  |  |  |  |  |  |  |  |  |  |  |   |   |   |   |   |   |   |   |   |   |   |   |   |   |   |   |   |   |   |   |   |   |   |   |
| A          | RW  | COMPARE  |             |       | Duty cycle setting - value loaded to internal compare register |  |  |  |  |  |  |  |  |  |  |   |   |   |   |   |   |   |   |   |   |   |   |   |   |   |   |   |   |   |   |   |   |   |   |
| B          | RW  | POLARITY |             |       | Edge polarity of GPIO.   |  |  |  |  |  |  |  |  |  |  |   |   |   |   |   |   |   |   |   |   |   |   |   |   |   |   |   |   |   |   |   |   |   |   |
|            |   |          | RisingEdge  | 0     | First edge within the PWM period is rising                     |  |  |  |  |  |  |  |  |  |  |   |   |   |   |   |   |   |   |   |   |   |   |   |   |   |   |   |   |   |   |   |   |   |   |
|            |   |          | FallingEdge | 1     | First edge within the PWM period is falling                    |  |  |  |  |  |  |  |  |  |  |   |   |   |   |   |   |   |   |   |   |   |   |   |   |   |   |   |   |   |   |   |   |   |   |

The DECODER register controls how the RAM content is interpreted and loaded to the internal compare registers. The LOAD field can be used to control if the RAM values are loaded to all compare channels - or alternatively to update a group or all channels with individual values. [Figure 144: Decoder memory access modes](#) on page 499 illustrates how the parameters stored in RAM are organized and routed to the various compare channels in the different modes.

A special mode of operation is available when DECODER.LOAD is set to WaveForm. In this mode, up to three PWM channels can be enabled - OUT[0] to OUT[2]. In RAM, four values are loaded at a time: the first, second and third location are used to load the values, and the fourth RAM location is used to load the COUNTERTOP register. This way one can have up to three PWM channels with a frequency base that changes on a per PWM period basis. This mode of operation is useful for arbitrary wave form generation in applications such as LED lighting.

The register SEQ[n].REFRESH=N (one per sequence n=0 or 1) will instruct a new RAM stored pulse width value on every (N+1)<sup>th</sup> PWM period. Setting the register to zero will result in a new duty cycle update every PWM period as long as the minimum PWM period is observed.

Note that registers SEQ[n].REFRESH and SEQ[n].ENDDELAY are ignored when DECODER.MODE=NextStep . The next value is loaded upon receiving every NEXTSTEP task.

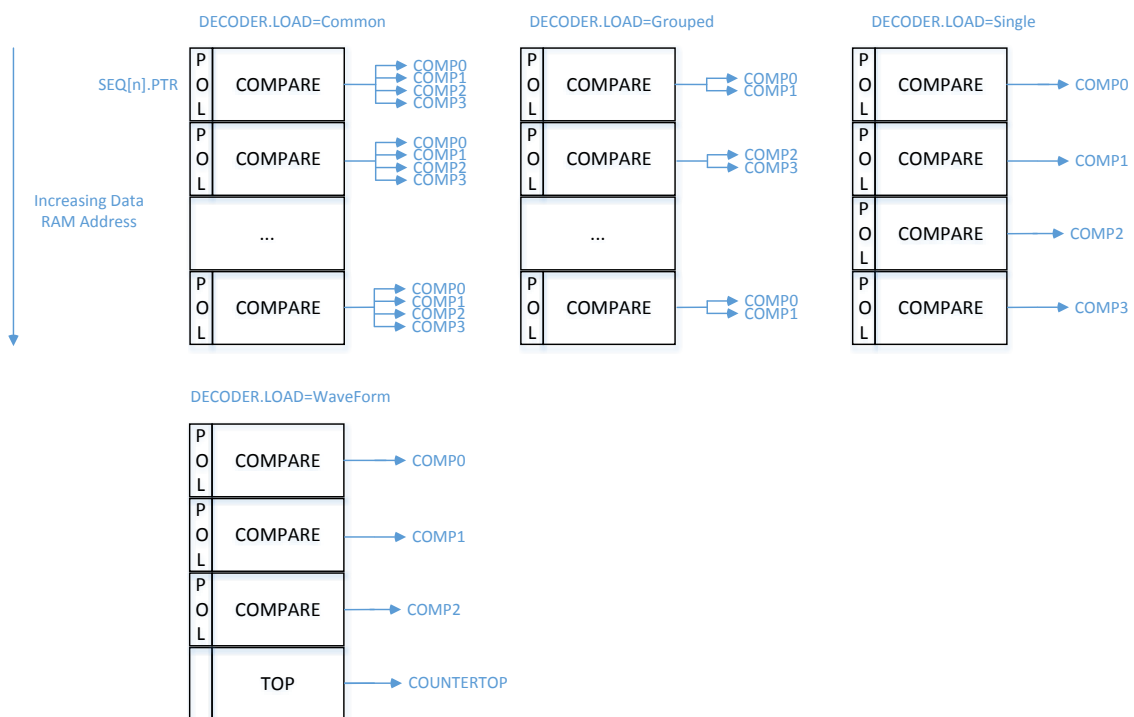


Figure 144: Decoder memory access modes

SEQ[n].PTR is the pointer used to fetch COMPARE values from RAM. If the SEQ[n].PTR is not pointing to the Data RAM region, an EasyDMA transfer may result in a HardFault or RAM corruption. See [Memory](#) on page 23 for more information about the different memory regions.

After the SEQ[n].PTR is set to the desired RAM location, the SEQ[n].CNT register must be set to the number of 16-bit half words in the sequence. It is important to observe that the Grouped and Single modes require one half word per group or one half word per channel respectively, and thus increases RAM size occupation. If PWM generation was not running yet at that point, sending the SEQSTART[n] task will load the first value from RAM, then start the PWM generation. A SEQSTARTED[n] event is generated as soon as the EasyDMA has read the first PWM parameter from RAM and the wave counter has started executing it. When LOOP.CNT=0, sequence n=0 or 1 is played back once. After the last value in the sequence has been loaded and started executing, a SEQEND[n] event is generated. The PWM generation will then continue with the last loaded value. See [Figure 145: Simple sequence example](#) on page 501 for an example of such simple playback.

To completely stop the PWM generation and force the associated pins to a defined state, a STOP task can be fired at any time. A STOPPED event is generated when the PWM generation has stopped at the end of currently running PWM period, and the pins go into their idle state as defined in GPIO->OUT. PWM generation can then only be restarted through a SEQSTART[n] task. SEQSTART[n] will resume PWM generation after having loaded the first value from the RAM buffer defined in the SEQ[n].PTR register.

The table below provides indication of when specific registers get sampled by the hardware. Care should be taken when updating these registers to avoid values to be applied earlier than expected.

**Table 116: When to safely update PWM registers**

| Register        | Taken into account by hardware   | Recommended (safe) update  |
|-----------------|--|--|
| SEQ[n].PTR      | When sending the SEQSTART[n] task  | After having received the SEQSTARTED[n] event  |
| SEQ[n].CNT      | When sending the SEQSTART[n] task  | After having received the SEQSTARTED[n] event  |
| SEQ[0].ENDDELAY | When sending the SEQSTART[0] task  | Before starting sequence [0] through a SEQSTART[0] task                                      |
|                 | Every time a new value from sequence [0] has been loaded from RAM and gets applied to the Wave Counter (indicated by the PWMPERIODEND event) | When no more value from sequence [0] gets loaded from RAM (indicated by the SEQEND[0] event) |
|                 |  | At any time during sequence [1] (which starts when the SEQSTARTED[1] event is fired)         |
| SEQ[1].ENDDELAY | When sending the SEQSTART[1] task  | Before starting sequence [1] through a SEQSTART[1] task                                      |
|                 | Every time a new value from sequence [1] has been loaded from RAM and gets applied to the Wave Counter (indicated by the PWMPERIODEND event) | When no more value from sequence [1] gets loaded from RAM (indicated by the SEQEND[1] event) |
|                 |  | At any time during sequence [0] (which starts when the SEQSTARTED[0] event is fired)         |
| SEQ[0].REFRESH  | When sending the SEQSTART[0] task  | Before starting sequence [0] through a SEQSTART[0] task                                      |
|                 | Every time a new value from sequence [0] has been loaded from RAM and gets applied to the Wave Counter (indicated by the PWMPERIODEND event) | At any time during sequence [1] (which starts when the SEQSTARTED[1] event is fired)         |
| SEQ[1].REFRESH  | When sending the SEQSTART[1] task  | Before starting sequence [1] through a SEQSTART[1] task                                      |
|                 | Every time a new value from sequence [1] has been loaded from RAM and gets applied to the Wave Counter (indicated by the PWMPERIODEND event) | At any time during sequence [0] (which starts when the SEQSTARTED[0] event is fired)         |
| COUNTERTOP      | In DECODER.LOAD=WaveForm: this register is ignored.  | Before starting PWM generation through a SEQSTART[n] task                                    |
|                 | In all other LOAD modes: at the end of current PWM period (indicated by the PWMPERIODEND event)  | After a STOP task has been issued, and the STOPPED event has been received.                  |
| MODE            | Immediately  | Before starting PWM generation through a SEQSTART[n] task                                    |
|                 |  | After a STOP task has been issued, and the STOPPED event has been received.                  |
| DECODER         | Immediately  | Before starting PWM generation through a SEQSTART[n] task                                    |
|                 |  | After a STOP task has been issued, and the STOPPED event has been received.                  |
| PRESCALER       | Immediately  | Before starting PWM generation through a SEQSTART[n] task                                    |
|                 |  | After a STOP task has been issued, and the STOPPED event has been received.                  |
| LOOP            | Immediately  | Before starting PWM generation through a SEQSTART[n] task                                    |
|                 |  | After a STOP task has been issued, and the STOPPED event has been received.                  |
| PSEL.OUT[n]     | Immediately  | Before enabling the PWM instance through the ENABLE register                                 |

**Important:** SEQ[n].REFRESH and SEQ[n].ENDDELAY are ignored at the end of a complex sequence, indicated by a LOOPSDONE event. The reason for this is that the last value loaded from RAM is maintained until further action from software (restarting a new sequence, or stopping PWM generation).

*Figure 145: Simple sequence example* on page 501 depicts the source code used for configuration and timing details in a sequence where only sequence 0 is used and only run once with a new PWM duty cycle for each period.

```

NRF_PWM0->PSEL.OUT[0] = (first_pin << PWM_PSEL_OUT_PIN_Pos) |
                        (PWM_PSEL_OUT_CONNECT_Connected <<
                         PWM_PSEL_OUT_CONNECT_Pos);
NRF_PWM0->ENABLE      = (PWM_ENABLE_ENABLE_Enabled << PWM_ENABLE_ENABLE_Pos);
NRF_PWM0->MODE        = (PWM_MODE_UPDOWN_Up << PWM_MODE_UPDOWN_Pos);
NRF_PWM0->PRESCALER   = (PWM_PRESCALER_PRESCALER_DIV_1 <<
                         PWM_PRESCALER_PRESCALER_Pos);
NRF_PWM0->COUNTERTOP  = (16000 << PWM_COUNTERTOP_COUNTERTOP_Pos); //1 msec
NRF_PWM0->LOOP        = (PWM_LOOP_CNT_Disabled << PWM_LOOP_CNT_Pos);
NRF_PWM0->DECODER     = (PWM_DECODER_LOAD_Common << PWM_DECODER_LOAD_Pos) |
                        (PWM_DECODER_MODE_RefreshCount << PWM_DECODER_MODE_Pos);
NRF_PWM0->SEQ[0].PTR  = ((uint32_t)(seq0_ram) << PWM_SEQ_PTR_PTR_Pos);
NRF_PWM0->SEQ[0].CNT  = ((sizeof(seq0_ram) / sizeof(uint16_t)) <<
                         PWM_SEQ_CNT_CNT_Pos);

NRF_PWM0->SEQ[0].REFRESH = 0;
NRF_PWM0->SEQ[0].ENDDELAY = 0;
NRF_PWM0->TASKS_SEQSTART[0] = 1;
    
```



**Figure 145: Simple sequence example**

A more complex example is shown in *Figure 146: Example using two sequences* on page 502, where  $LOOP.CNT > 0$ . In this case, an automated playback takes place, consisting of SEQ[0], delay 0, SEQ[1], delay 1, then again SEQ[0], etc. The user can choose to start a complex playback with SEQ[0] or SEQ[1] through sending the SEQSTART[0] or SEQSTART[1] task.

The complex playback always ends with delay 1.

The two sequences 0 and 1 are defined with address of values tables in Data RAM (pointed by SEQ[n].PTR) and respective buffer size (SEQ[n].CNT). The rate at which a new value is loaded is defined individually for each sequence by SEQ[n].REFRESH. The chaining of sequence 1 following sequence 0 is implicit, the LOOP.CNT register allows the chaining of sequence 1 to sequence 0 for a determined number of times. In other words, it allows to repeat a complex sequence a number of times in a fully automated way.

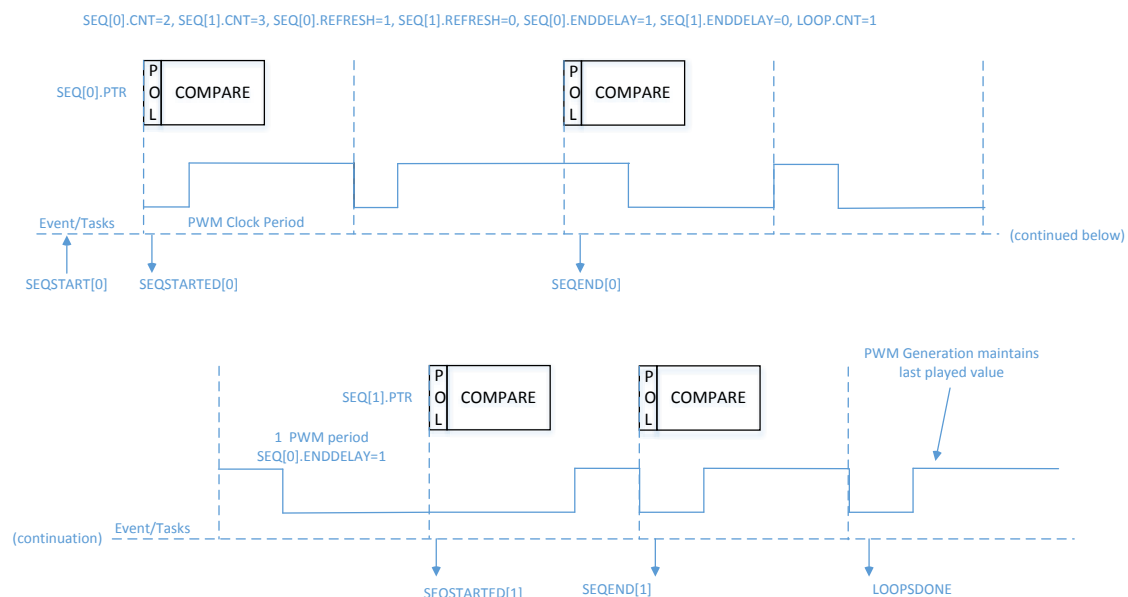
In the example below, sequence 0 is defined with SEQ[0].REFRESH set to one - that means that a new PWM duty cycle is pushed every second PWM period. This complex sequence is started with the SEQSTART[0] task, so SEQ[0] is played first. Since SEQ[0].ENDDELAY=1 there will be one PWM period delay between last period on sequence 0 and the first period on sequence 1. Since SEQ[1].ENDDELAY=0 there is no delay 1, so SEQ[0] would be started immediately after the end of SEQ[1]. However, as LOOP.CNT is one, the playback stops after having played only once SEQ[1], and both SEQEND[1] and LOOPDONE are generated (their order is not guaranteed in this case).

```

NRF_PWM0->PSEL.OUT[0] = (first_pin << PWM_PSEL_OUT_PIN_Pos) |
                        (PWM_PSEL_OUT_CONNECT_Connected <<
                         PWM_PSEL_OUT_CONNECT_Pos);
NRF_PWM0->ENABLE      = (PWM_ENABLE_ENABLE_Enabled << PWM_ENABLE_ENABLE_Pos);
NRF_PWM0->MODE        = (PWM_MODE_UPDOWN_Up << PWM_MODE_UPDOWN_Pos);
NRF_PWM0->PRESCALER   = (PWM_PRESCALER_PRESCALER_DIV_1 <<
                         PWM_PRESCALER_PRESCALER_Pos);
NRF_PWM0->COUNTERTOP  = (16000 << PWM_COUNTERTOP_COUNTERTOP_Pos); //1 msec
NRF_PWM0->LOOP        = (1 << PWM_LOOP_CNT_Pos);
NRF_PWM0->DECODER     = (PWM_DECODER_LOAD_Common << PWM_DECODER_LOAD_Pos) |
                        (PWM_DECODER_MODE_RefreshCount << PWM_DECODER_MODE_Pos);
NRF_PWM0->SEQ[0].PTR  = ((uint32_t)(seq0_ram) << PWM_SEQ_PTR_PTR_Pos);
NRF_PWM0->SEQ[0].CNT  = ((sizeof(seq0_ram) / sizeof(uint16_t)) <<
                         PWM_SEQ_CNT_CNT_Pos);

NRF_PWM0->SEQ[0].REFRESH = 1;
NRF_PWM0->SEQ[0].ENDDELAY = 1;
NRF_PWM0->SEQ[1].PTR  = ((uint32_t)(seq1_ram) << PWM_SEQ_PTR_PTR_Pos);
NRF_PWM0->SEQ[1].CNT  = ((sizeof(seq1_ram) / sizeof(uint16_t)) <<
                         PWM_SEQ_CNT_CNT_Pos);

NRF_PWM0->SEQ[1].REFRESH = 0;
NRF_PWM0->SEQ[1].ENDDELAY = 0;
NRF_PWM0->TASKS_SEQSTART[0] = 1;
    
```



**Figure 146: Example using two sequences**

The decoder can also be configured to asynchronously load a new PWM duty cycle. If the DECODER.MODE register is set to NextStep - then the NEXTSTEP task will cause an update of the internal compare registers on the next PWM period.

The figures below provide an overview of each part of an arbitrary sequence, in various modes (LOOP.CNT=0 and LOOP.CNT>0). In particular are represented:

- Initial and final duty cycle on the PWM output(s)
- Chaining of SEQ[0] and SEQ[1] if LOOP.CNT>0
- Influence of registers on the sequence
- Events fired during a sequence
- DMA activity (loading of next value and applying it to the output(s))

Note that the single-shot example applies also to SEQ[1], only SEQ[0] is represented for simplicity.



**Figure 147: Single shot (LOOP.CNT=0)**



**Figure 148: Complex sequence (LOOP.CNT>0) starting with SEQ[0]**



**Figure 149: Complex sequence (LOOP.CNT>0) starting with SEQ[1]**

Note that if a sequence is in use in a simple or complex sequence, it must have a length of  $SEQ[n].CNT > 0$ .

### 47.3 Limitations

The previous compare value will be repeated if the PWM period is selected to be shorter than the time it takes for the EasyDMA to fetch from RAM and update the internal compare registers.

This is to ensure a glitch-free operation even if very short PWM periods are chosen.

### 47.4 Pin configuration

The  $OUT[n]$  ( $n=0..3$ ) signals associated to each channel of the PWM module are mapped to physical pins according to the configuration specified in the respective  $PSEL.OUT[n]$  registers. If a  $PSEL.OUT[n].CONNECT$  is set to Disconnected, the associated PWM module signal will not be connected to any physical pins.

The  $PSEL.OUT[n]$  registers and their configurations are only used as long as the PWM module is enabled and PWM generation is active (wave counter started), and retained only as long as the device is in System ON mode, see [POWER](#) chapter for more information about power modes.

To ensure correct behaviour in the PWM module, the pins used by the PWM module must be configured in the GPIO peripheral as described in [Table 117: Recommended GPIO configuration before starting PWM generation](#) on page 505 before enabling the PWM module. The pins' idle state is defined by the  $OUT$  registers in the GPIO module. This is to ensure that the pins used by the PWM module are driven correctly, if PWM generation is stopped through a STOP task, the PWM module itself is temporarily disabled, or the device temporarily enters System OFF. This configuration must be retained in the GPIO for the selected IOs as long as the PWM module is supposed to be connected to an external PWM circuit.

Only one peripheral can be assigned to drive a particular GPIO pin at a time. Failing to do so may result in unpredictable behaviour.



**Table 117: Recommended GPIO configuration before starting PWM generation**

| PWM signal | PWM pin                                 | Direction | Output value | Comment                         |
|------------|---|-----------|--------------|---------------------------------|
| OUT[n]     | As specified in PSEL.OUT[n]<br>(n=0..3) | Output    | 0            | Idle state defined in GPIO->OUT |

## 47.5 Registers

**Table 118: Instances**

| Base address | Peripheral | Instance | Description                   | Configuration |
|--------------|------------|----------|-------------------------------|---------------|
| 0x4001C000   | PWM        | PWM0     | Pulse Width Modulation Unit 0 |               |
| 0x40021000   | PWM        | PWM1     | Pulse Width Modulation Unit 1 |               |
| 0x40022000   | PWM        | PWM2     | Pulse Width Modulation Unit 2 |               |

**Table 119: Register Overview**

| Register                | Offset | Description  |
|-------------------------|--------|--|
| TASKS_STOP              | 0x004  | Stops PWM pulse generation on all channels at the end of current PWM period, and stops sequence playback   |
| TASKS_SEQSTART[0]       | 0x008  | Loads the first PWM value on all enabled channels from sequence 0, and starts playing that sequence at the rate defined in SEQ[0]REFRESH and/or DECODER.MODE. Causes PWM generation to start it was not running. |
| TASKS_SEQSTART[1]       | 0x00C  | Loads the first PWM value on all enabled channels from sequence 1, and starts playing that sequence at the rate defined in SEQ[1]REFRESH and/or DECODER.MODE. Causes PWM generation to start it was not running. |
| TASKS_NEXTSTEP          | 0x010  | Steps by one value in the current sequence on all enabled channels if DECODER.MODE=NextStep. Does not cause PWM generation to start it was not running.  |
| EVENTS_STOPPED          | 0x104  | Response to STOP task, emitted when PWM pulses are no longer generated   |
| EVENTS_SEQSTARTED[0]    | 0x108  | First PWM period started on sequence 0   |
| EVENTS_SEQSTARTED[1]    | 0x10C  | First PWM period started on sequence 1   |
| EVENTS_SEQEND[0]        | 0x110  | Emitted at end of every sequence 0, when last value from RAM has been applied to wave counter  |
| EVENTS_SEQEND[1]        | 0x114  | Emitted at end of every sequence 1, when last value from RAM has been applied to wave counter  |
| EVENTS_PWMPERIODEN      | 0x118  | Emitted at the end of each PWM period  |
| EVENTS_LOOPSDONE        | 0x11C  | Concatenated sequences have been played the amount of times defined in LOOP.CNT  |
| <i>SHORTS</i>           | 0x200  | Shortcut register  |
| <i>INTEN</i>            | 0x300  | Enable or disable interrupt  |
| <i>INTENSET</i>         | 0x304  | Enable interrupt   |
| <i>INTENCLR</i>         | 0x308  | Disable interrupt  |
| <i>ENABLE</i>           | 0x500  | PWM module enable register   |
| <i>MODE</i>             | 0x504  | Selects operating mode of the wave counter   |
| <i>COUNTERTOP</i>       | 0x508  | Value up to which the pulse generator counter counts   |
| <i>PRESCALER</i>        | 0x50C  | Configuration for PWM_CLK  |
| <i>DECODER</i>          | 0x510  | Configuration of the decoder   |
| <i>LOOP</i>             | 0x514  | Amount of playback of a loop   |
| <i>SEQ[0].PTR</i>       | 0x520  | Beginning address in Data RAM of this sequence   |
| <i>SEQ[0].CNT</i>       | 0x524  | Amount of values (duty cycles) in this sequence  |
| <i>SEQ[0].REFRESH</i>   | 0x528  | Amount of additional PWM periods between samples loaded into compare register  |
| <i>SEQ[0].ENDDDELAY</i> | 0x52C  | Time added after the sequence  |
| <i>SEQ[1].PTR</i>       | 0x540  | Beginning address in Data RAM of this sequence   |
| <i>SEQ[1].CNT</i>       | 0x544  | Amount of values (duty cycles) in this sequence  |
| <i>SEQ[1].REFRESH</i>   | 0x548  | Amount of additional PWM periods between samples loaded into compare register  |
| <i>SEQ[1].ENDDDELAY</i> | 0x54C  | Time added after the sequence  |
| <i>PSEL.OUT[0]</i>      | 0x560  | Output pin select for PWM channel 0  |
| <i>PSEL.OUT[1]</i>      | 0x564  | Output pin select for PWM channel 1  |
| <i>PSEL.OUT[2]</i>      | 0x568  | Output pin select for PWM channel 2  |
| <i>PSEL.OUT[3]</i>      | 0x56C  | Output pin select for PWM channel 3  |

### 47.5.1 SHORTS

Address offset: 0x200

Shortcut register

| Bit number       | 31 30 29 28 27 26 25 24 23 22 21 20 19 18 17 16 15 14 13 12 11 10 9 8 7 6 5 4 3 2 1 0 |                     |          |       |   |  |  |  |  |  |  |  |  |  |  |  |  |  |  |  |  |  |  |  |  |  |  |  |   |   |   |   |   |
|------------------|---|---------------------|----------|-------|---|--|--|--|--|--|--|--|--|--|--|--|--|--|--|--|--|--|--|--|--|--|--|--|---|---|---|---|---|
| Id               |   |                     |          |       |   |  |  |  |  |  |  |  |  |  |  |  |  |  |  |  |  |  |  |  |  |  |  |  | E | D | C | B | A |
| Reset 0x00000000 | 0             |                     |          |       |   |  |  |  |  |  |  |  |  |  |  |  |  |  |  |  |  |  |  |  |  |  |  |  |   |   |   |   |   |
| Id               | RW  | Field               | Value Id | Value | Description   |  |  |  |  |  |  |  |  |  |  |  |  |  |  |  |  |  |  |  |  |  |  |  |   |   |   |   |   |
| A                | RW  | SEQEND0_STOP        |          |       | Shortcut between SEQEND[0] event and STOP task<br><br>See <a href="#">EVENTS_SEQEND[0]</a> and <a href="#">TASKS_STOP</a>               |  |  |  |  |  |  |  |  |  |  |  |  |  |  |  |  |  |  |  |  |  |  |  |   |   |   |   |   |
|                  |   |                     | Disabled | 0     | Disable shortcut  |  |  |  |  |  |  |  |  |  |  |  |  |  |  |  |  |  |  |  |  |  |  |  |   |   |   |   |   |
|                  |   |                     | Enabled  | 1     | Enable shortcut   |  |  |  |  |  |  |  |  |  |  |  |  |  |  |  |  |  |  |  |  |  |  |  |   |   |   |   |   |
| B                | RW  | SEQEND1_STOP        |          |       | Shortcut between SEQEND[1] event and STOP task<br><br>See <a href="#">EVENTS_SEQEND[1]</a> and <a href="#">TASKS_STOP</a>               |  |  |  |  |  |  |  |  |  |  |  |  |  |  |  |  |  |  |  |  |  |  |  |   |   |   |   |   |
|                  |   |                     | Disabled | 0     | Disable shortcut  |  |  |  |  |  |  |  |  |  |  |  |  |  |  |  |  |  |  |  |  |  |  |  |   |   |   |   |   |
|                  |   |                     | Enabled  | 1     | Enable shortcut   |  |  |  |  |  |  |  |  |  |  |  |  |  |  |  |  |  |  |  |  |  |  |  |   |   |   |   |   |
| C                | RW  | LOOPSDONE_SEQSTART0 |          |       | Shortcut between LOOPSDONE event and SEQSTART[0] task<br><br>See <a href="#">EVENTS_LOOPSDONE</a> and <a href="#">TASKS_SEQSTART[0]</a> |  |  |  |  |  |  |  |  |  |  |  |  |  |  |  |  |  |  |  |  |  |  |  |   |   |   |   |   |
|                  |   |                     | Disabled | 0     | Disable shortcut  |  |  |  |  |  |  |  |  |  |  |  |  |  |  |  |  |  |  |  |  |  |  |  |   |   |   |   |   |
|                  |   |                     | Enabled  | 1     | Enable shortcut   |  |  |  |  |  |  |  |  |  |  |  |  |  |  |  |  |  |  |  |  |  |  |  |   |   |   |   |   |
| D                | RW  | LOOPSDONE_SEQSTART1 |          |       | Shortcut between LOOPSDONE event and SEQSTART[1] task<br><br>See <a href="#">EVENTS_LOOPSDONE</a> and <a href="#">TASKS_SEQSTART[1]</a> |  |  |  |  |  |  |  |  |  |  |  |  |  |  |  |  |  |  |  |  |  |  |  |   |   |   |   |   |
|                  |   |                     | Disabled | 0     | Disable shortcut  |  |  |  |  |  |  |  |  |  |  |  |  |  |  |  |  |  |  |  |  |  |  |  |   |   |   |   |   |
|                  |   |                     | Enabled  | 1     | Enable shortcut   |  |  |  |  |  |  |  |  |  |  |  |  |  |  |  |  |  |  |  |  |  |  |  |   |   |   |   |   |
| E                | RW  | LOOPSDONE_STOP      |          |       | Shortcut between LOOPSDONE event and STOP task<br><br>See <a href="#">EVENTS_LOOPSDONE</a> and <a href="#">TASKS_STOP</a>               |  |  |  |  |  |  |  |  |  |  |  |  |  |  |  |  |  |  |  |  |  |  |  |   |   |   |   |   |
|                  |   |                     | Disabled | 0     | Disable shortcut  |  |  |  |  |  |  |  |  |  |  |  |  |  |  |  |  |  |  |  |  |  |  |  |   |   |   |   |   |
|                  |   |                     | Enabled  | 1     | Enable shortcut   |  |  |  |  |  |  |  |  |  |  |  |  |  |  |  |  |  |  |  |  |  |  |  |   |   |   |   |   |

### 47.5.2 INTEN

Address offset: 0x300

Enable or disable interrupt

| Bit number       | 31 30 29 28 27 26 25 24 23 22 21 20 19 18 17 16 15 14 13 12 11 10 9 8 7 6 5 4 3 2 1 0 |             |          |       |   |  |  |  |  |  |  |  |  |  |  |  |  |  |  |  |  |  |  |  |  |  |  |  |   |   |   |   |   |   |   |
|------------------|---|-------------|----------|-------|---|--|--|--|--|--|--|--|--|--|--|--|--|--|--|--|--|--|--|--|--|--|--|--|---|---|---|---|---|---|---|
| Id               |   |             |          |       |   |  |  |  |  |  |  |  |  |  |  |  |  |  |  |  |  |  |  |  |  |  |  |  | H | G | F | E | D | C | B |
| Reset 0x00000000 | 0             |             |          |       |   |  |  |  |  |  |  |  |  |  |  |  |  |  |  |  |  |  |  |  |  |  |  |  |   |   |   |   |   |   |   |
| Id               | RW  | Field       | Value Id | Value | Description   |  |  |  |  |  |  |  |  |  |  |  |  |  |  |  |  |  |  |  |  |  |  |  |   |   |   |   |   |   |   |
| B                | RW  | STOPPED     |          |       | Enable or disable interrupt for STOPPED event<br><br>See <a href="#">EVENTS_STOPPED</a>             |  |  |  |  |  |  |  |  |  |  |  |  |  |  |  |  |  |  |  |  |  |  |  |   |   |   |   |   |   |   |
|                  |   |             | Disabled | 0     | Disable   |  |  |  |  |  |  |  |  |  |  |  |  |  |  |  |  |  |  |  |  |  |  |  |   |   |   |   |   |   |   |
|                  |   |             | Enabled  | 1     | Enable  |  |  |  |  |  |  |  |  |  |  |  |  |  |  |  |  |  |  |  |  |  |  |  |   |   |   |   |   |   |   |
| C                | RW  | SEQSTARTED0 |          |       | Enable or disable interrupt for SEQSTARTED[0] event<br><br>See <a href="#">EVENTS_SEQSTARTED[0]</a> |  |  |  |  |  |  |  |  |  |  |  |  |  |  |  |  |  |  |  |  |  |  |  |   |   |   |   |   |   |   |
|                  |   |             | Disabled | 0     | Disable   |  |  |  |  |  |  |  |  |  |  |  |  |  |  |  |  |  |  |  |  |  |  |  |   |   |   |   |   |   |   |
|                  |   |             | Enabled  | 1     | Enable  |  |  |  |  |  |  |  |  |  |  |  |  |  |  |  |  |  |  |  |  |  |  |  |   |   |   |   |   |   |   |
| D                | RW  | SEQSTARTED1 |          |       | Enable or disable interrupt for SEQSTARTED[1] event<br><br>See <a href="#">EVENTS_SEQSTARTED[1]</a> |  |  |  |  |  |  |  |  |  |  |  |  |  |  |  |  |  |  |  |  |  |  |  |   |   |   |   |   |   |   |
|                  |   |             | Disabled | 0     | Disable   |  |  |  |  |  |  |  |  |  |  |  |  |  |  |  |  |  |  |  |  |  |  |  |   |   |   |   |   |   |   |
|                  |   |             | Enabled  | 1     | Enable  |  |  |  |  |  |  |  |  |  |  |  |  |  |  |  |  |  |  |  |  |  |  |  |   |   |   |   |   |   |   |
| E                | RW  | SEQEND0     |          |       | Enable or disable interrupt for SEQEND[0] event<br><br>See <a href="#">EVENTS_SEQEND[0]</a>         |  |  |  |  |  |  |  |  |  |  |  |  |  |  |  |  |  |  |  |  |  |  |  |   |   |   |   |   |   |   |
|                  |   |             | Disabled | 0     | Disable   |  |  |  |  |  |  |  |  |  |  |  |  |  |  |  |  |  |  |  |  |  |  |  |   |   |   |   |   |   |   |
|                  |   |             | Enabled  | 1     | Enable  |  |  |  |  |  |  |  |  |  |  |  |  |  |  |  |  |  |  |  |  |  |  |  |   |   |   |   |   |   |   |
| F                | RW  | SEQEND1     |          |       | Enable or disable interrupt for SEQEND[1] event   |  |  |  |  |  |  |  |  |  |  |  |  |  |  |  |  |  |  |  |  |  |  |  |   |   |   |   |   |   |   |

| Bit number       | 31 30 29 28 27 26 25 24 23 22 21 20 19 18 17 16 15 14 13 12 11 10 9 8 7 6 5 4 3 2 1 0 |              |          |       |   |  |  |  |  |  |  |  |  |  |  |  |  |  |  |  |  |  |  |  |  |  |  |  |   |   |   |   |   |   |   |
|------------------|---|--------------|----------|-------|---|--|--|--|--|--|--|--|--|--|--|--|--|--|--|--|--|--|--|--|--|--|--|--|---|---|---|---|---|---|---|
| Id               |   |              |          |       |   |  |  |  |  |  |  |  |  |  |  |  |  |  |  |  |  |  |  |  |  |  |  |  | H | G | F | E | D | C | B |
| Reset 0x00000000 | 0             |              |          |       |   |  |  |  |  |  |  |  |  |  |  |  |  |  |  |  |  |  |  |  |  |  |  |  |   |   |   |   |   |   |   |
| Id               | RW  | Field        | Value Id | Value | Description   |  |  |  |  |  |  |  |  |  |  |  |  |  |  |  |  |  |  |  |  |  |  |  |   |   |   |   |   |   |   |
|                  |   |              | Disabled | 0     | Disable<br>See <a href="#">EVENTS_SEQEND[1]</a>   |  |  |  |  |  |  |  |  |  |  |  |  |  |  |  |  |  |  |  |  |  |  |  |   |   |   |   |   |   |   |
|                  |   |              | Enabled  | 1     | Enable  |  |  |  |  |  |  |  |  |  |  |  |  |  |  |  |  |  |  |  |  |  |  |  |   |   |   |   |   |   |   |
| G                | RW  | PWMPERIODEND |          |       | Enable or disable interrupt for PWMPERIODEND event<br>See <a href="#">EVENTS_PWMPERIODEND</a> |  |  |  |  |  |  |  |  |  |  |  |  |  |  |  |  |  |  |  |  |  |  |  |   |   |   |   |   |   |   |
|                  |   |              | Disabled | 0     | Disable   |  |  |  |  |  |  |  |  |  |  |  |  |  |  |  |  |  |  |  |  |  |  |  |   |   |   |   |   |   |   |
|                  |   |              | Enabled  | 1     | Enable  |  |  |  |  |  |  |  |  |  |  |  |  |  |  |  |  |  |  |  |  |  |  |  |   |   |   |   |   |   |   |
| H                | RW  | LOOPSDONE    |          |       | Enable or disable interrupt for LOOPSDONE event<br>See <a href="#">EVENTS_LOOPSDONE</a>       |  |  |  |  |  |  |  |  |  |  |  |  |  |  |  |  |  |  |  |  |  |  |  |   |   |   |   |   |   |   |
|                  |   |              | Disabled | 0     | Disable   |  |  |  |  |  |  |  |  |  |  |  |  |  |  |  |  |  |  |  |  |  |  |  |   |   |   |   |   |   |   |
|                  |   |              | Enabled  | 1     | Enable  |  |  |  |  |  |  |  |  |  |  |  |  |  |  |  |  |  |  |  |  |  |  |  |   |   |   |   |   |   |   |

### 47.5.3 INTENSET

Address offset: 0x304

Enable interrupt

| Bit number       | 31 30 29 28 27 26 25 24 23 22 21 20 19 18 17 16 15 14 13 12 11 10 9 8 7 6 5 4 3 2 1 0 |              |          |       |   |  |  |  |  |  |  |  |  |  |  |  |  |  |  |  |  |  |  |  |  |  |  |  |   |   |   |   |   |   |   |
|------------------|---|--------------|----------|-------|---|--|--|--|--|--|--|--|--|--|--|--|--|--|--|--|--|--|--|--|--|--|--|--|---|---|---|---|---|---|---|
| Id               |   |              |          |       |   |  |  |  |  |  |  |  |  |  |  |  |  |  |  |  |  |  |  |  |  |  |  |  | H | G | F | E | D | C | B |
| Reset 0x00000000 | 0             |              |          |       |   |  |  |  |  |  |  |  |  |  |  |  |  |  |  |  |  |  |  |  |  |  |  |  |   |   |   |   |   |   |   |
| Id               | RW  | Field        | Value Id | Value | Description   |  |  |  |  |  |  |  |  |  |  |  |  |  |  |  |  |  |  |  |  |  |  |  |   |   |   |   |   |   |   |
| B                | RW  | STOPPED      |          |       | Write '1' to Enable interrupt for STOPPED event<br>See <a href="#">EVENTS_STOPPED</a>             |  |  |  |  |  |  |  |  |  |  |  |  |  |  |  |  |  |  |  |  |  |  |  |   |   |   |   |   |   |   |
|                  |   |              | Set      | 1     | Enable  |  |  |  |  |  |  |  |  |  |  |  |  |  |  |  |  |  |  |  |  |  |  |  |   |   |   |   |   |   |   |
|                  |   |              | Disabled | 0     | Read: Disabled  |  |  |  |  |  |  |  |  |  |  |  |  |  |  |  |  |  |  |  |  |  |  |  |   |   |   |   |   |   |   |
|                  |   |              | Enabled  | 1     | Read: Enabled   |  |  |  |  |  |  |  |  |  |  |  |  |  |  |  |  |  |  |  |  |  |  |  |   |   |   |   |   |   |   |
| C                | RW  | SEQSTARTED0  |          |       | Write '1' to Enable interrupt for SEQSTARTED[0] event<br>See <a href="#">EVENTS_SEQSTARTED[0]</a> |  |  |  |  |  |  |  |  |  |  |  |  |  |  |  |  |  |  |  |  |  |  |  |   |   |   |   |   |   |   |
|                  |   |              | Set      | 1     | Enable  |  |  |  |  |  |  |  |  |  |  |  |  |  |  |  |  |  |  |  |  |  |  |  |   |   |   |   |   |   |   |
|                  |   |              | Disabled | 0     | Read: Disabled  |  |  |  |  |  |  |  |  |  |  |  |  |  |  |  |  |  |  |  |  |  |  |  |   |   |   |   |   |   |   |
|                  |   |              | Enabled  | 1     | Read: Enabled   |  |  |  |  |  |  |  |  |  |  |  |  |  |  |  |  |  |  |  |  |  |  |  |   |   |   |   |   |   |   |
| D                | RW  | SEQSTARTED1  |          |       | Write '1' to Enable interrupt for SEQSTARTED[1] event<br>See <a href="#">EVENTS_SEQSTARTED[1]</a> |  |  |  |  |  |  |  |  |  |  |  |  |  |  |  |  |  |  |  |  |  |  |  |   |   |   |   |   |   |   |
|                  |   |              | Set      | 1     | Enable  |  |  |  |  |  |  |  |  |  |  |  |  |  |  |  |  |  |  |  |  |  |  |  |   |   |   |   |   |   |   |
|                  |   |              | Disabled | 0     | Read: Disabled  |  |  |  |  |  |  |  |  |  |  |  |  |  |  |  |  |  |  |  |  |  |  |  |   |   |   |   |   |   |   |
|                  |   |              | Enabled  | 1     | Read: Enabled   |  |  |  |  |  |  |  |  |  |  |  |  |  |  |  |  |  |  |  |  |  |  |  |   |   |   |   |   |   |   |
| E                | RW  | SEQEND0      |          |       | Write '1' to Enable interrupt for SEQEND[0] event<br>See <a href="#">EVENTS_SEQEND[0]</a>         |  |  |  |  |  |  |  |  |  |  |  |  |  |  |  |  |  |  |  |  |  |  |  |   |   |   |   |   |   |   |
|                  |   |              | Set      | 1     | Enable  |  |  |  |  |  |  |  |  |  |  |  |  |  |  |  |  |  |  |  |  |  |  |  |   |   |   |   |   |   |   |
|                  |   |              | Disabled | 0     | Read: Disabled  |  |  |  |  |  |  |  |  |  |  |  |  |  |  |  |  |  |  |  |  |  |  |  |   |   |   |   |   |   |   |
|                  |   |              | Enabled  | 1     | Read: Enabled   |  |  |  |  |  |  |  |  |  |  |  |  |  |  |  |  |  |  |  |  |  |  |  |   |   |   |   |   |   |   |
| F                | RW  | SEQEND1      |          |       | Write '1' to Enable interrupt for SEQEND[1] event<br>See <a href="#">EVENTS_SEQEND[1]</a>         |  |  |  |  |  |  |  |  |  |  |  |  |  |  |  |  |  |  |  |  |  |  |  |   |   |   |   |   |   |   |
|                  |   |              | Set      | 1     | Enable  |  |  |  |  |  |  |  |  |  |  |  |  |  |  |  |  |  |  |  |  |  |  |  |   |   |   |   |   |   |   |
|                  |   |              | Disabled | 0     | Read: Disabled  |  |  |  |  |  |  |  |  |  |  |  |  |  |  |  |  |  |  |  |  |  |  |  |   |   |   |   |   |   |   |
|                  |   |              | Enabled  | 1     | Read: Enabled   |  |  |  |  |  |  |  |  |  |  |  |  |  |  |  |  |  |  |  |  |  |  |  |   |   |   |   |   |   |   |
| G                | RW  | PWMPERIODEND |          |       | Write '1' to Enable interrupt for PWMPERIODEND event<br>See <a href="#">EVENTS_PWMPERIODEND</a>   |  |  |  |  |  |  |  |  |  |  |  |  |  |  |  |  |  |  |  |  |  |  |  |   |   |   |   |   |   |   |
|                  |   |              | Set      | 1     | Enable  |  |  |  |  |  |  |  |  |  |  |  |  |  |  |  |  |  |  |  |  |  |  |  |   |   |   |   |   |   |   |
|                  |   |              | Disabled | 0     | Read: Disabled  |  |  |  |  |  |  |  |  |  |  |  |  |  |  |  |  |  |  |  |  |  |  |  |   |   |   |   |   |   |   |
|                  |   |              | Enabled  | 1     | Read: Enabled   |  |  |  |  |  |  |  |  |  |  |  |  |  |  |  |  |  |  |  |  |  |  |  |   |   |   |   |   |   |   |
| H                | RW  | LOOPSDONE    |          |       | Write '1' to Enable interrupt for LOOPSDONE event   |  |  |  |  |  |  |  |  |  |  |  |  |  |  |  |  |  |  |  |  |  |  |  |   |   |   |   |   |   |   |

| Bit number       | 31 | 30    | 29       | 28 | 27    | 26                                   | 25 | 24 | 23 | 22 | 21 | 20 | 19 | 18 | 17 | 16 | 15 | 14 | 13 | 12 | 11 | 10 | 9 | 8 | 7 | 6 | 5 | 4 | 3 | 2 | 1 | 0 |   |
|------------------|----|-------|----------|----|-------|--------------------------------------|----|----|----|----|----|----|----|----|----|----|----|----|----|----|----|----|---|---|---|---|---|---|---|---|---|---|---|
| Id               |    |       |          |    |       |                                      |    |    |    |    |    |    |    |    |    |    |    |    |    |    |    |    |   |   |   |   | H | G | F | E | D | C | B |
| Reset 0x00000000 | 0  | 0     | 0        | 0  | 0     | 0                                    | 0  | 0  | 0  | 0  | 0  | 0  | 0  | 0  | 0  | 0  | 0  | 0  | 0  | 0  | 0  | 0  | 0 | 0 | 0 | 0 | 0 | 0 | 0 | 0 | 0 | 0 |   |
| Id               | RW | Field | Value    | Id | Value | Description                          |    |    |    |    |    |    |    |    |    |    |    |    |    |    |    |    |   |   |   |   |   |   |   |   |   |   |   |
|                  |    |       |          |    |       | See <a href="#">EVENTS_LOOPSDONE</a> |    |    |    |    |    |    |    |    |    |    |    |    |    |    |    |    |   |   |   |   |   |   |   |   |   |   |   |
|                  |    |       | Set      | 1  |       | Enable                               |    |    |    |    |    |    |    |    |    |    |    |    |    |    |    |    |   |   |   |   |   |   |   |   |   |   |   |
|                  |    |       | Disabled | 0  |       | Read: Disabled                       |    |    |    |    |    |    |    |    |    |    |    |    |    |    |    |    |   |   |   |   |   |   |   |   |   |   |   |
|                  |    |       | Enabled  | 1  |       | Read: Enabled                        |    |    |    |    |    |    |    |    |    |    |    |    |    |    |    |    |   |   |   |   |   |   |   |   |   |   |   |

### 47.5.4 INTENCLR

Address offset: 0x308

Disable interrupt

| Bit number       | 31 | 30           | 29       | 28 | 27    | 26   | 25 | 24 | 23 | 22 | 21 | 20 | 19 | 18 | 17 | 16 | 15 | 14 | 13 | 12 | 11 | 10 | 9 | 8 | 7 | 6 | 5 | 4 | 3 | 2 | 1 | 0 |   |
|------------------|----|--------------|----------|----|-------|--|----|----|----|----|----|----|----|----|----|----|----|----|----|----|----|----|---|---|---|---|---|---|---|---|---|---|---|
| Id               |    |              |          |    |       |  |    |    |    |    |    |    |    |    |    |    |    |    |    |    |    |    |   |   |   |   | H | G | F | E | D | C | B |
| Reset 0x00000000 | 0  | 0            | 0        | 0  | 0     | 0  | 0  | 0  | 0  | 0  | 0  | 0  | 0  | 0  | 0  | 0  | 0  | 0  | 0  | 0  | 0  | 0  | 0 | 0 | 0 | 0 | 0 | 0 | 0 | 0 | 0 |   |   |
| Id               | RW | Field        | Value    | Id | Value | Description  |    |    |    |    |    |    |    |    |    |    |    |    |    |    |    |    |   |   |   |   |   |   |   |   |   |   |   |
| B                | RW | STOPPED      |          |    |       | Write '1' to Disable interrupt for STOPPED event       |    |    |    |    |    |    |    |    |    |    |    |    |    |    |    |    |   |   |   |   |   |   |   |   |   |   |   |
|                  |    |              |          |    |       | See <a href="#">EVENTS_STOPPED</a>                     |    |    |    |    |    |    |    |    |    |    |    |    |    |    |    |    |   |   |   |   |   |   |   |   |   |   |   |
|                  |    |              | Clear    | 1  |       | Disable  |    |    |    |    |    |    |    |    |    |    |    |    |    |    |    |    |   |   |   |   |   |   |   |   |   |   |   |
|                  |    |              | Disabled | 0  |       | Read: Disabled   |    |    |    |    |    |    |    |    |    |    |    |    |    |    |    |    |   |   |   |   |   |   |   |   |   |   |   |
|                  |    |              | Enabled  | 1  |       | Read: Enabled  |    |    |    |    |    |    |    |    |    |    |    |    |    |    |    |    |   |   |   |   |   |   |   |   |   |   |   |
| C                | RW | SEQSTARTED0  |          |    |       | Write '1' to Disable interrupt for SEQSTARTED[0] event |    |    |    |    |    |    |    |    |    |    |    |    |    |    |    |    |   |   |   |   |   |   |   |   |   |   |   |
|                  |    |              |          |    |       | See <a href="#">EVENTS_SEQSTARTED[0]</a>               |    |    |    |    |    |    |    |    |    |    |    |    |    |    |    |    |   |   |   |   |   |   |   |   |   |   |   |
|                  |    |              | Clear    | 1  |       | Disable  |    |    |    |    |    |    |    |    |    |    |    |    |    |    |    |    |   |   |   |   |   |   |   |   |   |   |   |
|                  |    |              | Disabled | 0  |       | Read: Disabled   |    |    |    |    |    |    |    |    |    |    |    |    |    |    |    |    |   |   |   |   |   |   |   |   |   |   |   |
|                  |    |              | Enabled  | 1  |       | Read: Enabled  |    |    |    |    |    |    |    |    |    |    |    |    |    |    |    |    |   |   |   |   |   |   |   |   |   |   |   |
| D                | RW | SEQSTARTED1  |          |    |       | Write '1' to Disable interrupt for SEQSTARTED[1] event |    |    |    |    |    |    |    |    |    |    |    |    |    |    |    |    |   |   |   |   |   |   |   |   |   |   |   |
|                  |    |              |          |    |       | See <a href="#">EVENTS_SEQSTARTED[1]</a>               |    |    |    |    |    |    |    |    |    |    |    |    |    |    |    |    |   |   |   |   |   |   |   |   |   |   |   |
|                  |    |              | Clear    | 1  |       | Disable  |    |    |    |    |    |    |    |    |    |    |    |    |    |    |    |    |   |   |   |   |   |   |   |   |   |   |   |
|                  |    |              | Disabled | 0  |       | Read: Disabled   |    |    |    |    |    |    |    |    |    |    |    |    |    |    |    |    |   |   |   |   |   |   |   |   |   |   |   |
|                  |    |              | Enabled  | 1  |       | Read: Enabled  |    |    |    |    |    |    |    |    |    |    |    |    |    |    |    |    |   |   |   |   |   |   |   |   |   |   |   |
| E                | RW | SEQEND0      |          |    |       | Write '1' to Disable interrupt for SEQEND[0] event     |    |    |    |    |    |    |    |    |    |    |    |    |    |    |    |    |   |   |   |   |   |   |   |   |   |   |   |
|                  |    |              |          |    |       | See <a href="#">EVENTS_SEQEND[0]</a>                   |    |    |    |    |    |    |    |    |    |    |    |    |    |    |    |    |   |   |   |   |   |   |   |   |   |   |   |
|                  |    |              | Clear    | 1  |       | Disable  |    |    |    |    |    |    |    |    |    |    |    |    |    |    |    |    |   |   |   |   |   |   |   |   |   |   |   |
|                  |    |              | Disabled | 0  |       | Read: Disabled   |    |    |    |    |    |    |    |    |    |    |    |    |    |    |    |    |   |   |   |   |   |   |   |   |   |   |   |
|                  |    |              | Enabled  | 1  |       | Read: Enabled  |    |    |    |    |    |    |    |    |    |    |    |    |    |    |    |    |   |   |   |   |   |   |   |   |   |   |   |
| F                | RW | SEQEND1      |          |    |       | Write '1' to Disable interrupt for SEQEND[1] event     |    |    |    |    |    |    |    |    |    |    |    |    |    |    |    |    |   |   |   |   |   |   |   |   |   |   |   |
|                  |    |              |          |    |       | See <a href="#">EVENTS_SEQEND[1]</a>                   |    |    |    |    |    |    |    |    |    |    |    |    |    |    |    |    |   |   |   |   |   |   |   |   |   |   |   |
|                  |    |              | Clear    | 1  |       | Disable  |    |    |    |    |    |    |    |    |    |    |    |    |    |    |    |    |   |   |   |   |   |   |   |   |   |   |   |
|                  |    |              | Disabled | 0  |       | Read: Disabled   |    |    |    |    |    |    |    |    |    |    |    |    |    |    |    |    |   |   |   |   |   |   |   |   |   |   |   |
|                  |    |              | Enabled  | 1  |       | Read: Enabled  |    |    |    |    |    |    |    |    |    |    |    |    |    |    |    |    |   |   |   |   |   |   |   |   |   |   |   |
| G                | RW | PWMPERIODEND |          |    |       | Write '1' to Disable interrupt for PWMPERIODEND event  |    |    |    |    |    |    |    |    |    |    |    |    |    |    |    |    |   |   |   |   |   |   |   |   |   |   |   |
|                  |    |              |          |    |       | See <a href="#">EVENTS_PWMPERIODEND</a>                |    |    |    |    |    |    |    |    |    |    |    |    |    |    |    |    |   |   |   |   |   |   |   |   |   |   |   |
|                  |    |              | Clear    | 1  |       | Disable  |    |    |    |    |    |    |    |    |    |    |    |    |    |    |    |    |   |   |   |   |   |   |   |   |   |   |   |
|                  |    |              | Disabled | 0  |       | Read: Disabled   |    |    |    |    |    |    |    |    |    |    |    |    |    |    |    |    |   |   |   |   |   |   |   |   |   |   |   |
|                  |    |              | Enabled  | 1  |       | Read: Enabled  |    |    |    |    |    |    |    |    |    |    |    |    |    |    |    |    |   |   |   |   |   |   |   |   |   |   |   |
| H                | RW | LOOPSDONE    |          |    |       | Write '1' to Disable interrupt for LOOPSDONE event     |    |    |    |    |    |    |    |    |    |    |    |    |    |    |    |    |   |   |   |   |   |   |   |   |   |   |   |
|                  |    |              |          |    |       | See <a href="#">EVENTS_LOOPSDONE</a>                   |    |    |    |    |    |    |    |    |    |    |    |    |    |    |    |    |   |   |   |   |   |   |   |   |   |   |   |
|                  |    |              | Clear    | 1  |       | Disable  |    |    |    |    |    |    |    |    |    |    |    |    |    |    |    |    |   |   |   |   |   |   |   |   |   |   |   |
|                  |    |              | Disabled | 0  |       | Read: Disabled   |    |    |    |    |    |    |    |    |    |    |    |    |    |    |    |    |   |   |   |   |   |   |   |   |   |   |   |
|                  |    |              | Enabled  | 1  |       | Read: Enabled  |    |    |    |    |    |    |    |    |    |    |    |    |    |    |    |    |   |   |   |   |   |   |   |   |   |   |   |

### 47.5.5 ENABLE

Address offset: 0x500

### PWM module enable register

| Bit number       | 31  | 30     | 29       | 28    | 27                           | 26 | 25 | 24 | 23 | 22 | 21 | 20 | 19 | 18 | 17 | 16 | 15 | 14 | 13 | 12 | 11 | 10 | 9 | 8 | 7 | 6 | 5 | 4 | 3 | 2 | 1 | 0 |
|------------------|---|--------|----------|-------|------------------------------|----|----|----|----|----|----|----|----|----|----|----|----|----|----|----|----|----|---|---|---|---|---|---|---|---|---|---|
| Id               |   |        |          |       |                              |    |    |    |    |    |    |    |    |    |    |    |    | A  |    |    |    |    |   |   |   |   |   |   |   |   |   |   |
| Reset 0x00000000 | 0 |        |          |       |                              |    |    |    |    |    |    |    |    |    |    |    |    |    |    |    |    |    |   |   |   |   |   |   |   |   |   |   |
| Id               | RW  | Field  | Value Id | Value | Description                  |    |    |    |    |    |    |    |    |    |    |    |    |    |    |    |    |    |   |   |   |   |   |   |   |   |   |   |
| A                | RW  | ENABLE |          |       | Enable or disable PWM module |    |    |    |    |    |    |    |    |    |    |    |    |    |    |    |    |    |   |   |   |   |   |   |   |   |   |   |
|                  |   |        | Disabled | 0     | Disabled                     |    |    |    |    |    |    |    |    |    |    |    |    |    |    |    |    |    |   |   |   |   |   |   |   |   |   |   |
|                  |   |        | Enabled  | 1     | Enable                       |    |    |    |    |    |    |    |    |    |    |    |    |    |    |    |    |    |   |   |   |   |   |   |   |   |   |   |

### 47.5.6 MODE

Address offset: 0x504

Selects operating mode of the wave counter

| Bit number       | 31  | 30     | 29        | 28    | 27  | 26 | 25 | 24 | 23 | 22 | 21 | 20 | 19 | 18 | 17 | 16 | 15 | 14 | 13 | 12 | 11 | 10 | 9 | 8 | 7 | 6 | 5 | 4 | 3 | 2 | 1 | 0 |
|------------------|---|--------|-----------|-------|---|----|----|----|----|----|----|----|----|----|----|----|----|----|----|----|----|----|---|---|---|---|---|---|---|---|---|---|
| Id               |   |        |           |       |   |    |    |    |    |    |    |    |    |    |    |    |    | A  |    |    |    |    |   |   |   |   |   |   |   |   |   |   |
| Reset 0x00000000 | 0 |        |           |       |   |    |    |    |    |    |    |    |    |    |    |    |    |    |    |    |    |    |   |   |   |   |   |   |   |   |   |   |
| Id               | RW  | Field  | Value Id  | Value | Description   |    |    |    |    |    |    |    |    |    |    |    |    |    |    |    |    |    |   |   |   |   |   |   |   |   |   |   |
| A                | RW  | UPDOWN |           |       | Selects up or up and down as wave counter mode      |    |    |    |    |    |    |    |    |    |    |    |    |    |    |    |    |    |   |   |   |   |   |   |   |   |   |   |
|                  |   |        | Up        | 0     | Up counter - edge aligned PWM duty-cycle            |    |    |    |    |    |    |    |    |    |    |    |    |    |    |    |    |    |   |   |   |   |   |   |   |   |   |   |
|                  |   |        | UpAndDown | 1     | Up and down counter - center aligned PWM duty cycle |    |    |    |    |    |    |    |    |    |    |    |    |    |    |    |    |    |   |   |   |   |   |   |   |   |   |   |

### 47.5.7 COUNTERTOP

Address offset: 0x508

Value up to which the pulse generator counter counts

| Bit number       | 31  | 30         | 29       | 28         | 27   | 26 | 25 | 24 | 23 | 22 | 21 | 20 | 19 | 18 | 17 | 16 | 15 | 14                                | 13 | 12 | 11 | 10 | 9 | 8 | 7 | 6 | 5 | 4 | 3 | 2 | 1 | 0 |
|------------------|---|------------|----------|------------|--|----|----|----|----|----|----|----|----|----|----|----|----|-----------------------------------|----|----|----|----|---|---|---|---|---|---|---|---|---|---|
| Id               |   |            |          |            |  |    |    |    |    |    |    |    |    |    |    |    |    | A A A A A A A A A A A A A A A A A |    |    |    |    |   |   |   |   |   |   |   |   |   |   |
| Reset 0x000003FF | 0 1 1 1 1 1 1 1 1 1 1 |            |          |            |  |    |    |    |    |    |    |    |    |    |    |    |    |                                   |    |    |    |    |   |   |   |   |   |   |   |   |   |   |
| Id               | RW  | Field      | Value Id | Value      | Description  |    |    |    |    |    |    |    |    |    |    |    |    |                                   |    |    |    |    |   |   |   |   |   |   |   |   |   |   |
| A                | RW  | COUNTERTOP |          | [3..32767] | Value up to which the pulse generator counter counts. This register is ignored when DECODER.MODE=WaveForm and only values from RAM will be used. |    |    |    |    |    |    |    |    |    |    |    |    |                                   |    |    |    |    |   |   |   |   |   |   |   |   |   |   |

### 47.5.8 PRESCALER

Address offset: 0x50C

Configuration for PWM\_CLK

| Bit number       | 31  | 30        | 29       | 28    | 27                      | 26 | 25 | 24 | 23 | 22 | 21 | 20 | 19 | 18 | 17 | 16 | 15 | 14    | 13 | 12 | 11 | 10 | 9 | 8 | 7 | 6 | 5 | 4 | 3 | 2 | 1 | 0 |
|------------------|---|-----------|----------|-------|-------------------------|----|----|----|----|----|----|----|----|----|----|----|----|-------|----|----|----|----|---|---|---|---|---|---|---|---|---|---|
| Id               |   |           |          |       |                         |    |    |    |    |    |    |    |    |    |    |    |    | A A A |    |    |    |    |   |   |   |   |   |   |   |   |   |   |
| Reset 0x00000000 | 0 |           |          |       |                         |    |    |    |    |    |    |    |    |    |    |    |    |       |    |    |    |    |   |   |   |   |   |   |   |   |   |   |
| Id               | RW  | Field     | Value Id | Value | Description             |    |    |    |    |    |    |    |    |    |    |    |    |       |    |    |    |    |   |   |   |   |   |   |   |   |   |   |
| A                | RW  | PRESCALER |          |       | Pre-scaler of PWM_CLK   |    |    |    |    |    |    |    |    |    |    |    |    |       |    |    |    |    |   |   |   |   |   |   |   |   |   |   |
|                  |   |           | DIV_1    | 0     | Divide by 1 (16MHz)     |    |    |    |    |    |    |    |    |    |    |    |    |       |    |    |    |    |   |   |   |   |   |   |   |   |   |   |
|                  |   |           | DIV_2    | 1     | Divide by 2 ( 8MHz)     |    |    |    |    |    |    |    |    |    |    |    |    |       |    |    |    |    |   |   |   |   |   |   |   |   |   |   |
|                  |   |           | DIV_4    | 2     | Divide by 4 ( 4MHz)     |    |    |    |    |    |    |    |    |    |    |    |    |       |    |    |    |    |   |   |   |   |   |   |   |   |   |   |
|                  |   |           | DIV_8    | 3     | Divide by 8 ( 2MHz)     |    |    |    |    |    |    |    |    |    |    |    |    |       |    |    |    |    |   |   |   |   |   |   |   |   |   |   |
|                  |   |           | DIV_16   | 4     | Divide by 16 ( 1MHz)    |    |    |    |    |    |    |    |    |    |    |    |    |       |    |    |    |    |   |   |   |   |   |   |   |   |   |   |
|                  |   |           | DIV_32   | 5     | Divide by 32 ( 500kHz)  |    |    |    |    |    |    |    |    |    |    |    |    |       |    |    |    |    |   |   |   |   |   |   |   |   |   |   |
|                  |   |           | DIV_64   | 6     | Divide by 64 ( 250kHz)  |    |    |    |    |    |    |    |    |    |    |    |    |       |    |    |    |    |   |   |   |   |   |   |   |   |   |   |
|                  |   |           | DIV_128  | 7     | Divide by 128 ( 125kHz) |    |    |    |    |    |    |    |    |    |    |    |    |       |    |    |    |    |   |   |   |   |   |   |   |   |   |   |

### 47.5.9 DECODER

Address offset: 0x510

Configuration of the decoder

| Bit number       | 31 | 30    | 29           | 28    | 27  | 26 | 25 | 24 | 23 | 22 | 21 | 20 | 19 | 18 | 17 | 16 | 15 | 14 | 13 | 12 | 11 | 10 | 9 | 8 | 7 | 6 | 5 | 4 | 3 | 2 | 1 | 0 |   |  |  |
|------------------|----|-------|--------------|-------|---|----|----|----|----|----|----|----|----|----|----|----|----|----|----|----|----|----|---|---|---|---|---|---|---|---|---|---|---|--|--|
| Id               |    |       |              |       |   |    |    |    |    |    |    |    |    |    |    |    |    |    |    |    |    |    |   | B |   |   | A |   |   | A |   |   | A |  |  |
| Reset 0x00000000 | 0  | 0     | 0            | 0     | 0   | 0  | 0  | 0  | 0  | 0  | 0  | 0  | 0  | 0  | 0  | 0  | 0  | 0  | 0  | 0  | 0  | 0  | 0 | 0 | 0 | 0 | 0 | 0 | 0 | 0 | 0 | 0 |   |  |  |
| Id               | RW | Field | Value Id     | Value | Description   |    |    |    |    |    |    |    |    |    |    |    |    |    |    |    |    |    |   |   |   |   |   |   |   |   |   |   |   |  |  |
| A                | RW | LOAD  |              |       | How a sequence is read from RAM and spread to the compare register          |    |    |    |    |    |    |    |    |    |    |    |    |    |    |    |    |    |   |   |   |   |   |   |   |   |   |   |   |  |  |
|                  |    |       | Common       | 0     | 1st half word (16-bit) used in all PWM channels 0..3                        |    |    |    |    |    |    |    |    |    |    |    |    |    |    |    |    |    |   |   |   |   |   |   |   |   |   |   |   |  |  |
|                  |    |       | Grouped      | 1     | 1st half word (16-bit) used in channel 0..1; 2nd word in channel 2..3       |    |    |    |    |    |    |    |    |    |    |    |    |    |    |    |    |    |   |   |   |   |   |   |   |   |   |   |   |  |  |
|                  |    |       | Individual   | 2     | 1st half word (16-bit) in ch.0; 2nd in ch.1; ...; 4th in ch.3               |    |    |    |    |    |    |    |    |    |    |    |    |    |    |    |    |    |   |   |   |   |   |   |   |   |   |   |   |  |  |
|                  |    |       | WaveForm     | 3     | 1st half word (16-bit) in ch.0; 2nd in ch.1; ...; 4th in COUNTERTOP         |    |    |    |    |    |    |    |    |    |    |    |    |    |    |    |    |    |   |   |   |   |   |   |   |   |   |   |   |  |  |
| B                | RW | MODE  |              |       | Selects source for advancing the active sequence                            |    |    |    |    |    |    |    |    |    |    |    |    |    |    |    |    |    |   |   |   |   |   |   |   |   |   |   |   |  |  |
|                  |    |       | RefreshCount | 0     | SEQ[n].REFRESH is used to determine loading internal compare registers      |    |    |    |    |    |    |    |    |    |    |    |    |    |    |    |    |    |   |   |   |   |   |   |   |   |   |   |   |  |  |
|                  |    |       | NextStep     | 1     | NEXTSTEP task causes a new value to be loaded to internal compare registers |    |    |    |    |    |    |    |    |    |    |    |    |    |    |    |    |    |   |   |   |   |   |   |   |   |   |   |   |  |  |

### 47.5.10 LOOP

Address offset: 0x514

Amount of playback of a loop

| Bit number       | 31 | 30    | 29       | 28    | 27   | 26 | 25 | 24 | 23 | 22 | 21 | 20 | 19 | 18 | 17 | 16 | 15 | 14 | 13 | 12 | 11 | 10 | 9 | 8 | 7 | 6 | 5 | 4 | 3 | 2 | 1 | 0 |   |  |  |   |  |  |   |  |  |
|------------------|----|-------|----------|-------|--|----|----|----|----|----|----|----|----|----|----|----|----|----|----|----|----|----|---|---|---|---|---|---|---|---|---|---|---|--|--|---|--|--|---|--|--|
| Id               |    |       |          |       |  |    |    |    |    |    |    |    |    |    |    |    |    |    |    |    |    |    |   | A |   |   | A |   |   | A |   |   | A |  |  | A |  |  | A |  |  |
| Reset 0x00000000 | 0  | 0     | 0        | 0     | 0  | 0  | 0  | 0  | 0  | 0  | 0  | 0  | 0  | 0  | 0  | 0  | 0  | 0  | 0  | 0  | 0  | 0  | 0 | 0 | 0 | 0 | 0 | 0 | 0 | 0 | 0 |   |   |  |  |   |  |  |   |  |  |
| Id               | RW | Field | Value Id | Value | Description  |    |    |    |    |    |    |    |    |    |    |    |    |    |    |    |    |    |   |   |   |   |   |   |   |   |   |   |   |  |  |   |  |  |   |  |  |
| A                | RW | CNT   |          |       | Amount of playback of pattern cycles               |    |    |    |    |    |    |    |    |    |    |    |    |    |    |    |    |    |   |   |   |   |   |   |   |   |   |   |   |  |  |   |  |  |   |  |  |
|                  |    |       | Disabled | 0     | Looping disabled (stop at the end of the sequence) |    |    |    |    |    |    |    |    |    |    |    |    |    |    |    |    |    |   |   |   |   |   |   |   |   |   |   |   |  |  |   |  |  |   |  |  |

### 47.5.11 SEQ[0].PTR

Address offset: 0x520

Beginning address in Data RAM of this sequence

| Bit number       | 31 | 30    | 29       | 28    | 27   | 26 | 25 | 24 | 23 | 22 | 21 | 20 | 19 | 18 | 17 | 16 | 15 | 14 | 13 | 12 | 11 | 10 | 9 | 8 | 7 | 6 | 5 | 4 | 3 | 2 | 1 | 0 |
|------------------|----|-------|----------|-------|--|----|----|----|----|----|----|----|----|----|----|----|----|----|----|----|----|----|---|---|---|---|---|---|---|---|---|---|
| Id               | A  | A     | A        | A     | A  | A  | A  | A  | A  | A  | A  | A  | A  | A  | A  | A  | A  | A  | A  | A  | A  | A  | A | A | A | A | A | A | A | A | A |   |
| Reset 0x00000000 | 0  | 0     | 0        | 0     | 0  | 0  | 0  | 0  | 0  | 0  | 0  | 0  | 0  | 0  | 0  | 0  | 0  | 0  | 0  | 0  | 0  | 0  | 0 | 0 | 0 | 0 | 0 | 0 | 0 | 0 | 0 |   |
| Id               | RW | Field | Value Id | Value | Description                                    |    |    |    |    |    |    |    |    |    |    |    |    |    |    |    |    |    |   |   |   |   |   |   |   |   |   |   |
| A                | RW | PTR   |          |       | Beginning address in Data RAM of this sequence |    |    |    |    |    |    |    |    |    |    |    |    |    |    |    |    |    |   |   |   |   |   |   |   |   |   |   |

### 47.5.12 SEQ[0].CNT

Address offset: 0x524

Amount of values (duty cycles) in this sequence

| Bit number       | 31 | 30    | 29       | 28    | 27  | 26 | 25 | 24 | 23 | 22 | 21 | 20 | 19 | 18 | 17 | 16 | 15 | 14 | 13 | 12 | 11 | 10 | 9 | 8 | 7 | 6 | 5 | 4 | 3 | 2 | 1 | 0 |   |  |  |   |  |  |   |  |  |
|------------------|----|-------|----------|-------|---|----|----|----|----|----|----|----|----|----|----|----|----|----|----|----|----|----|---|---|---|---|---|---|---|---|---|---|---|--|--|---|--|--|---|--|--|
| Id               |    |       |          |       |   |    |    |    |    |    |    |    |    |    |    |    |    |    |    |    |    |    |   | A |   |   | A |   |   | A |   |   | A |  |  | A |  |  | A |  |  |
| Reset 0x00000000 | 0  | 0     | 0        | 0     | 0   | 0  | 0  | 0  | 0  | 0  | 0  | 0  | 0  | 0  | 0  | 0  | 0  | 0  | 0  | 0  | 0  | 0  | 0 | 0 | 0 | 0 | 0 | 0 | 0 | 0 | 0 |   |   |  |  |   |  |  |   |  |  |
| Id               | RW | Field | Value Id | Value | Description   |    |    |    |    |    |    |    |    |    |    |    |    |    |    |    |    |    |   |   |   |   |   |   |   |   |   |   |   |  |  |   |  |  |   |  |  |
| A                | RW | CNT   |          |       | Amount of values (duty cycles) in this sequence               |    |    |    |    |    |    |    |    |    |    |    |    |    |    |    |    |    |   |   |   |   |   |   |   |   |   |   |   |  |  |   |  |  |   |  |  |
|                  |    |       | Disabled | 0     | Sequence is disabled, and shall not be started as it is empty |    |    |    |    |    |    |    |    |    |    |    |    |    |    |    |    |    |   |   |   |   |   |   |   |   |   |   |   |  |  |   |  |  |   |  |  |

### 47.5.13 SEQ[0].REFRESH

Address offset: 0x528

Amount of additional PWM periods between samples loaded into compare register

| Bit number       | 31 | 30    | 29         | 28    | 27   | 26 | 25 | 24 | 23 | 22 | 21 | 20 | 19 | 18 | 17 | 16 | 15 | 14 | 13 | 12 | 11 | 10 | 9 | 8 | 7 | 6 | 5 | 4 | 3 | 2 | 1 | 0 |   |   |   |
|------------------|----|-------|------------|-------|--|----|----|----|----|----|----|----|----|----|----|----|----|----|----|----|----|----|---|---|---|---|---|---|---|---|---|---|---|---|---|
| Id               |    |       |            |       |  |    |    |    | A  | A  | A  | A  | A  | A  | A  | A  | A  | A  | A  | A  | A  | A  | A | A | A | A | A | A | A | A | A | A | A | A |   |
| Reset 0x00000001 | 0  | 0     | 0          | 0     | 0  | 0  | 0  | 0  | 0  | 0  | 0  | 0  | 0  | 0  | 0  | 0  | 0  | 0  | 0  | 0  | 0  | 0  | 0 | 0 | 0 | 0 | 0 | 0 | 0 | 0 | 0 | 0 | 0 | 0 | 1 |
| Id               | RW | Field | Value Id   | Value | Description  |    |    |    |    |    |    |    |    |    |    |    |    |    |    |    |    |    |   |   |   |   |   |   |   |   |   |   |   |   |   |
| A                | RW | CNT   |            |       | Amount of additional PWM periods between samples loaded into compare register (load every REFRESH.CNT+1 PWM periods) |    |    |    |    |    |    |    |    |    |    |    |    |    |    |    |    |    |   |   |   |   |   |   |   |   |   |   |   |   |   |
|                  |    |       | Continuous | 0     | Update every PWM period  |    |    |    |    |    |    |    |    |    |    |    |    |    |    |    |    |    |   |   |   |   |   |   |   |   |   |   |   |   |   |

### 47.5.14 SEQ[0].ENDDELAY

Address offset: 0x52C

Time added after the sequence

| Bit number       | 31 | 30    | 29       | 28    | 27   | 26 | 25 | 24 | 23 | 22 | 21 | 20 | 19 | 18 | 17 | 16 | 15 | 14 | 13 | 12 | 11 | 10 | 9 | 8 | 7 | 6 | 5 | 4 | 3 | 2 | 1 | 0 |   |   |   |
|------------------|----|-------|----------|-------|--|----|----|----|----|----|----|----|----|----|----|----|----|----|----|----|----|----|---|---|---|---|---|---|---|---|---|---|---|---|---|
| Id               |    |       |          |       |  |    |    |    | A  | A  | A  | A  | A  | A  | A  | A  | A  | A  | A  | A  | A  | A  | A | A | A | A | A | A | A | A | A | A | A |   |   |
| Reset 0x00000000 | 0  | 0     | 0        | 0     | 0  | 0  | 0  | 0  | 0  | 0  | 0  | 0  | 0  | 0  | 0  | 0  | 0  | 0  | 0  | 0  | 0  | 0  | 0 | 0 | 0 | 0 | 0 | 0 | 0 | 0 | 0 | 0 | 0 | 0 | 0 |
| Id               | RW | Field | Value Id | Value | Description                                  |    |    |    |    |    |    |    |    |    |    |    |    |    |    |    |    |    |   |   |   |   |   |   |   |   |   |   |   |   |   |
| A                | RW | CNT   |          |       | Time added after the sequence in PWM periods |    |    |    |    |    |    |    |    |    |    |    |    |    |    |    |    |    |   |   |   |   |   |   |   |   |   |   |   |   |   |

### 47.5.15 SEQ[1].PTR

Address offset: 0x540

Beginning address in Data RAM of this sequence

| Bit number       | 31 | 30    | 29       | 28    | 27   | 26 | 25 | 24 | 23 | 22 | 21 | 20 | 19 | 18 | 17 | 16 | 15 | 14 | 13 | 12 | 11 | 10 | 9 | 8 | 7 | 6 | 5 | 4 | 3 | 2 | 1 | 0 |   |   |
|------------------|----|-------|----------|-------|--|----|----|----|----|----|----|----|----|----|----|----|----|----|----|----|----|----|---|---|---|---|---|---|---|---|---|---|---|---|
| Id               | A  | A     | A        | A     | A  | A  | A  | A  | A  | A  | A  | A  | A  | A  | A  | A  | A  | A  | A  | A  | A  | A  | A | A | A | A | A | A | A | A | A | A | A |   |
| Reset 0x00000000 | 0  | 0     | 0        | 0     | 0  | 0  | 0  | 0  | 0  | 0  | 0  | 0  | 0  | 0  | 0  | 0  | 0  | 0  | 0  | 0  | 0  | 0  | 0 | 0 | 0 | 0 | 0 | 0 | 0 | 0 | 0 | 0 | 0 | 0 |
| Id               | RW | Field | Value Id | Value | Description                                    |    |    |    |    |    |    |    |    |    |    |    |    |    |    |    |    |    |   |   |   |   |   |   |   |   |   |   |   |   |
| A                | RW | PTR   |          |       | Beginning address in Data RAM of this sequence |    |    |    |    |    |    |    |    |    |    |    |    |    |    |    |    |    |   |   |   |   |   |   |   |   |   |   |   |   |

### 47.5.16 SEQ[1].CNT

Address offset: 0x544

Amount of values (duty cycles) in this sequence

| Bit number       | 31 | 30    | 29       | 28    | 27  | 26 | 25 | 24 | 23 | 22 | 21 | 20 | 19 | 18 | 17 | 16 | 15 | 14 | 13 | 12 | 11 | 10 | 9 | 8 | 7 | 6 | 5 | 4 | 3 | 2 | 1 | 0 |   |   |   |
|------------------|----|-------|----------|-------|---|----|----|----|----|----|----|----|----|----|----|----|----|----|----|----|----|----|---|---|---|---|---|---|---|---|---|---|---|---|---|
| Id               |    |       |          |       |   |    |    |    |    |    |    |    |    |    |    |    | A  | A  | A  | A  | A  | A  | A | A | A | A | A | A | A | A | A | A | A |   |   |
| Reset 0x00000000 | 0  | 0     | 0        | 0     | 0   | 0  | 0  | 0  | 0  | 0  | 0  | 0  | 0  | 0  | 0  | 0  | 0  | 0  | 0  | 0  | 0  | 0  | 0 | 0 | 0 | 0 | 0 | 0 | 0 | 0 | 0 | 0 | 0 | 0 | 0 |
| Id               | RW | Field | Value Id | Value | Description   |    |    |    |    |    |    |    |    |    |    |    |    |    |    |    |    |    |   |   |   |   |   |   |   |   |   |   |   |   |   |
| A                | RW | CNT   |          |       | Amount of values (duty cycles) in this sequence               |    |    |    |    |    |    |    |    |    |    |    |    |    |    |    |    |    |   |   |   |   |   |   |   |   |   |   |   |   |   |
|                  |    |       | Disabled | 0     | Sequence is disabled, and shall not be started as it is empty |    |    |    |    |    |    |    |    |    |    |    |    |    |    |    |    |    |   |   |   |   |   |   |   |   |   |   |   |   |   |

### 47.5.17 SEQ[1].REFRESH

Address offset: 0x548

Amount of additional PWM periods between samples loaded into compare register

| Bit number       | 31 | 30    | 29         | 28    | 27   | 26 | 25 | 24 | 23 | 22 | 21 | 20 | 19 | 18 | 17 | 16 | 15 | 14 | 13 | 12 | 11 | 10 | 9 | 8 | 7 | 6 | 5 | 4 | 3 | 2 | 1 | 0 |   |   |
|------------------|----|-------|------------|-------|--|----|----|----|----|----|----|----|----|----|----|----|----|----|----|----|----|----|---|---|---|---|---|---|---|---|---|---|---|---|
| Id               |    |       |            |       |  |    |    |    | A  | A  | A  | A  | A  | A  | A  | A  | A  | A  | A  | A  | A  | A  | A | A | A | A | A | A | A | A | A | A | A |   |
| Reset 0x00000001 | 0  | 0     | 0          | 0     | 0  | 0  | 0  | 0  | 0  | 0  | 0  | 0  | 0  | 0  | 0  | 0  | 0  | 0  | 0  | 0  | 0  | 0  | 0 | 0 | 0 | 0 | 0 | 0 | 0 | 0 | 0 | 0 | 0 | 1 |
| Id               | RW | Field | Value Id   | Value | Description  |    |    |    |    |    |    |    |    |    |    |    |    |    |    |    |    |    |   |   |   |   |   |   |   |   |   |   |   |   |
| A                | RW | CNT   |            |       | Amount of additional PWM periods between samples loaded into compare register (load every REFRESH.CNT+1 PWM periods) |    |    |    |    |    |    |    |    |    |    |    |    |    |    |    |    |    |   |   |   |   |   |   |   |   |   |   |   |   |
|                  |    |       | Continuous | 0     | Update every PWM period  |    |    |    |    |    |    |    |    |    |    |    |    |    |    |    |    |    |   |   |   |   |   |   |   |   |   |   |   |   |

### 47.5.18 SEQ[1].ENDDELAY

Address offset: 0x54C

Time added after the sequence

| Bit number       | 31 | 30    | 29       | 28    | 27   | 26 | 25 | 24 | 23 | 22 | 21 | 20 | 19 | 18 | 17 | 16 | 15 | 14 | 13 | 12 | 11 | 10 | 9 | 8 | 7 | 6 | 5 | 4 | 3 | 2 | 1 | 0 |   |   |   |   |   |   |   |   |   |   |   |   |   |   |   |   |
|------------------|----|-------|----------|-------|--|----|----|----|----|----|----|----|----|----|----|----|----|----|----|----|----|----|---|---|---|---|---|---|---|---|---|---|---|---|---|---|---|---|---|---|---|---|---|---|---|---|---|---|
| Id               |    |       |          |       |  |    |    |    |    |    |    |    |    |    |    |    | A  | A  | A  | A  | A  | A  | A | A | A | A | A | A | A | A | A | A | A | A | A | A | A | A | A | A | A | A | A | A | A | A | A | A |
| Reset 0x00000000 | 0  | 0     | 0        | 0     | 0  | 0  | 0  | 0  | 0  | 0  | 0  | 0  | 0  | 0  | 0  | 0  | 0  | 0  | 0  | 0  | 0  | 0  | 0 | 0 | 0 | 0 | 0 | 0 | 0 | 0 | 0 | 0 | 0 | 0 | 0 |   |   |   |   |   |   |   |   |   |   |   |   |   |
| Id               | RW | Field | Value Id | Value | Description                                  |    |    |    |    |    |    |    |    |    |    |    |    |    |    |    |    |    |   |   |   |   |   |   |   |   |   |   |   |   |   |   |   |   |   |   |   |   |   |   |   |   |   |   |
| A                | RW | CNT   |          |       | Time added after the sequence in PWM periods |    |    |    |    |    |    |    |    |    |    |    |    |    |    |    |    |    |   |   |   |   |   |   |   |   |   |   |   |   |   |   |   |   |   |   |   |   |   |   |   |   |   |   |

### 47.5.19 PSEL.OUT[0]

Address offset: 0x560

Output pin select for PWM channel 0

| Bit number       | 31 | 30      | 29           | 28      | 27          | 26 | 25 | 24 | 23 | 22 | 21 | 20 | 19 | 18 | 17 | 16 | 15 | 14 | 13 | 12 | 11 | 10 | 9 | 8 | 7 | 6 | 5 | 4 | 3 | 2 | 1 | 0 |
|------------------|----|---------|--------------|---------|-------------|----|----|----|----|----|----|----|----|----|----|----|----|----|----|----|----|----|---|---|---|---|---|---|---|---|---|---|
| Id               |    |         |              |         |             |    |    |    |    |    |    |    |    |    |    |    | B  |    |    |    |    |    |   |   |   |   |   |   |   |   |   |   |
| Reset 0xFFFFFFFF | 1  | 1       | 1            | 1       | 1           | 1  | 1  | 1  | 1  | 1  | 1  | 1  | 1  | 1  | 1  | 1  | 1  | 1  | 1  | 1  | 1  | 1  | 1 | 1 | 1 | 1 | 1 | 1 | 1 | 1 | 1 | 1 |
| Id               | RW | Field   | Value Id     | Value   | Description |    |    |    |    |    |    |    |    |    |    |    |    |    |    |    |    |    |   |   |   |   |   |   |   |   |   |   |
| A                | RW | PIN     |              | [0..31] | Pin number  |    |    |    |    |    |    |    |    |    |    |    |    |    |    |    |    |    |   |   |   |   |   |   |   |   |   |   |
| B                | RW | CONNECT |              |         | Connection  |    |    |    |    |    |    |    |    |    |    |    |    |    |    |    |    |    |   |   |   |   |   |   |   |   |   |   |
|                  |    |         | Disconnected | 1       | Disconnect  |    |    |    |    |    |    |    |    |    |    |    |    |    |    |    |    |    |   |   |   |   |   |   |   |   |   |   |
|                  |    |         | Connected    | 0       | Connect     |    |    |    |    |    |    |    |    |    |    |    |    |    |    |    |    |    |   |   |   |   |   |   |   |   |   |   |

### 47.5.20 PSEL.OUT[1]

Address offset: 0x564

Output pin select for PWM channel 1

| Bit number       | 31 | 30      | 29           | 28      | 27          | 26 | 25 | 24 | 23 | 22 | 21 | 20 | 19 | 18 | 17 | 16 | 15 | 14 | 13 | 12 | 11 | 10 | 9 | 8 | 7 | 6 | 5 | 4 | 3 | 2 | 1 | 0 |
|------------------|----|---------|--------------|---------|-------------|----|----|----|----|----|----|----|----|----|----|----|----|----|----|----|----|----|---|---|---|---|---|---|---|---|---|---|
| Id               |    |         |              |         |             |    |    |    |    |    |    |    |    |    |    |    | B  |    |    |    |    |    |   |   |   |   |   |   |   |   |   |   |
| Reset 0xFFFFFFFF | 1  | 1       | 1            | 1       | 1           | 1  | 1  | 1  | 1  | 1  | 1  | 1  | 1  | 1  | 1  | 1  | 1  | 1  | 1  | 1  | 1  | 1  | 1 | 1 | 1 | 1 | 1 | 1 | 1 | 1 | 1 | 1 |
| Id               | RW | Field   | Value Id     | Value   | Description |    |    |    |    |    |    |    |    |    |    |    |    |    |    |    |    |    |   |   |   |   |   |   |   |   |   |   |
| A                | RW | PIN     |              | [0..31] | Pin number  |    |    |    |    |    |    |    |    |    |    |    |    |    |    |    |    |    |   |   |   |   |   |   |   |   |   |   |
| B                | RW | CONNECT |              |         | Connection  |    |    |    |    |    |    |    |    |    |    |    |    |    |    |    |    |    |   |   |   |   |   |   |   |   |   |   |
|                  |    |         | Disconnected | 1       | Disconnect  |    |    |    |    |    |    |    |    |    |    |    |    |    |    |    |    |    |   |   |   |   |   |   |   |   |   |   |
|                  |    |         | Connected    | 0       | Connect     |    |    |    |    |    |    |    |    |    |    |    |    |    |    |    |    |    |   |   |   |   |   |   |   |   |   |   |

### 47.5.21 PSEL.OUT[2]

Address offset: 0x568

Output pin select for PWM channel 2

| Bit number       | 31 | 30      | 29           | 28      | 27          | 26 | 25 | 24 | 23 | 22 | 21 | 20 | 19 | 18 | 17 | 16 | 15 | 14 | 13 | 12 | 11 | 10 | 9 | 8 | 7 | 6 | 5 | 4 | 3 | 2 | 1 | 0 |
|------------------|----|---------|--------------|---------|-------------|----|----|----|----|----|----|----|----|----|----|----|----|----|----|----|----|----|---|---|---|---|---|---|---|---|---|---|
| Id               |    |         |              |         |             |    |    |    |    |    |    |    |    |    |    |    | B  |    |    |    |    |    |   |   |   |   |   |   |   |   |   |   |
| Reset 0xFFFFFFFF | 1  | 1       | 1            | 1       | 1           | 1  | 1  | 1  | 1  | 1  | 1  | 1  | 1  | 1  | 1  | 1  | 1  | 1  | 1  | 1  | 1  | 1  | 1 | 1 | 1 | 1 | 1 | 1 | 1 | 1 | 1 | 1 |
| Id               | RW | Field   | Value Id     | Value   | Description |    |    |    |    |    |    |    |    |    |    |    |    |    |    |    |    |    |   |   |   |   |   |   |   |   |   |   |
| A                | RW | PIN     |              | [0..31] | Pin number  |    |    |    |    |    |    |    |    |    |    |    |    |    |    |    |    |    |   |   |   |   |   |   |   |   |   |   |
| B                | RW | CONNECT |              |         | Connection  |    |    |    |    |    |    |    |    |    |    |    |    |    |    |    |    |    |   |   |   |   |   |   |   |   |   |   |
|                  |    |         | Disconnected | 1       | Disconnect  |    |    |    |    |    |    |    |    |    |    |    |    |    |    |    |    |    |   |   |   |   |   |   |   |   |   |   |
|                  |    |         | Connected    | 0       | Connect     |    |    |    |    |    |    |    |    |    |    |    |    |    |    |    |    |    |   |   |   |   |   |   |   |   |   |   |

### 47.5.22 PSEL.OUT[3]

Address offset: 0x56C

Output pin select for PWM channel 3

| Bit number       | 31 | 30    | 29       | 28      | 27          | 26 | 25 | 24 | 23 | 22 | 21 | 20 | 19 | 18 | 17 | 16 | 15 | 14 | 13 | 12 | 11 | 10 | 9 | 8 | 7 | 6 | 5 | 4 | 3 | 2 | 1 | 0 |
|------------------|----|-------|----------|---------|-------------|----|----|----|----|----|----|----|----|----|----|----|----|----|----|----|----|----|---|---|---|---|---|---|---|---|---|---|
| Id               |    |       |          |         |             |    |    |    |    |    |    |    |    |    |    |    | B  |    |    |    |    |    |   |   |   |   |   |   |   |   |   |   |
| Reset 0xFFFFFFFF | 1  | 1     | 1        | 1       | 1           | 1  | 1  | 1  | 1  | 1  | 1  | 1  | 1  | 1  | 1  | 1  | 1  | 1  | 1  | 1  | 1  | 1  | 1 | 1 | 1 | 1 | 1 | 1 | 1 | 1 | 1 | 1 |
| Id               | RW | Field | Value Id | Value   | Description |    |    |    |    |    |    |    |    |    |    |    |    |    |    |    |    |    |   |   |   |   |   |   |   |   |   |   |
| A                | RW | PIN   |          | [0..31] | Pin number  |    |    |    |    |    |    |    |    |    |    |    |    |    |    |    |    |    |   |   |   |   |   |   |   |   |   |   |



| Bit number       | 31 | 30      | 29           | 28    | 27          | 26 | 25 | 24 | 23 | 22 | 21 | 20 | 19 | 18 | 17 | 16 | 15        | 14 | 13 | 12 | 11 | 10 | 9 | 8 | 7 | 6 | 5 | 4 | 3 | 2 | 1 | 0 |
|------------------|----|---------|--------------|-------|-------------|----|----|----|----|----|----|----|----|----|----|----|-----------|----|----|----|----|----|---|---|---|---|---|---|---|---|---|---|
| Id               | B  |         |              |       |             |    |    |    |    |    |    |    |    |    |    |    | A A A A A |    |    |    |    |    |   |   |   |   |   |   |   |   |   |   |
| Reset 0xFFFFFFFF | 1  | 1       | 1            | 1     | 1           | 1  | 1  | 1  | 1  | 1  | 1  | 1  | 1  | 1  | 1  | 1  | 1         | 1  | 1  | 1  | 1  | 1  | 1 | 1 | 1 | 1 | 1 | 1 | 1 | 1 | 1 | 1 |
| Id               | RW | Field   | Value Id     | Value | Description |    |    |    |    |    |    |    |    |    |    |    |           |    |    |    |    |    |   |   |   |   |   |   |   |   |   |   |
| B                | RW | CONNECT |              |       | Connection  |    |    |    |    |    |    |    |    |    |    |    |           |    |    |    |    |    |   |   |   |   |   |   |   |   |   |   |
|                  |    |         | Disconnected | 1     | Disconnect  |    |    |    |    |    |    |    |    |    |    |    |           |    |    |    |    |    |   |   |   |   |   |   |   |   |   |   |
|                  |    |         | Connected    | 0     | Connect     |    |    |    |    |    |    |    |    |    |    |    |           |    |    |    |    |    |   |   |   |   |   |   |   |   |   |   |

## 47.6 Electrical specification

### 47.6.1 PWM Electrical Specification

| Symbol           | Description   | Min. | Typ. | Max. | Units   |
|------------------|---|------|------|------|---------|
| $I_{PWM,16MHz}$  | PWM run current, Prescaler set to DIV_1 (16 MHz), excluding DMA and GPIO    |      | 200  |      | $\mu A$ |
| $I_{PWM,8MHz}$   | PWM run current, Prescaler set to DIV_2 (8 MHz), excluding DMA and GPIO     |      | 150  |      | $\mu A$ |
| $I_{PWM,125kHz}$ | PWM run current, Prescaler set to DIV_128 (125 kHz), excluding DMA and GPIO |      | 150  |      | $\mu A$ |

## 48 SPI — Serial peripheral interface master

The SPI master provides a simple CPU interface which includes a TXD register for sending data and an RXD register for receiving data. This section is added for legacy support for now.



**Figure 150: SPI master**

RXD-1 and TXD+1 illustrate the double buffered version of RXD and TXD respectively.

### 48.1 Functional description

The TXD and RXD registers are double-buffered to enable some degree of uninterrupted data flow in and out of the SPI master.

The SPI master does not implement support for chip select directly. Therefore, the CPU must use available GPIOs to select the correct slave and control this independently of the SPI master. The SPI master supports SPI modes 0 through 3.

**Table 120: SPI modes**

| Mode                  | Clock polarity<br>CPOL | Clock phase<br>CPHA |
|-----------------------|------------------------|---------------------|
| SPI_MODE 0 (Leading)  | 0 (Active High)        | 0 (Active High)     |
| SPI_MODE 0 (Leading)  | 1 (Active Low)         | 1 (Active Low)      |
| SPI_MODE 1 (Trailing) | 0 (Active High)        | 0 (Active High)     |
| SPI_MODE 1 (Trailing) | 1 (Active Low)         | 1 (Active Low)      |

#### 48.1.1 SPI master mode pin configuration

The different signals SCK, MOSI, and MISO associated with the SPI master are mapped to physical pins.

This mapping is according to the configuration specified in the PSEL.SCK, PSEL.MOSI, and PSEL.MISO registers respectively. If a value of 0xFFFFFFFF is specified in any of these registers, the associated SPI master signal is not connected to any physical pin. The PSEL.SCK, PSEL.MOSI, and PSEL.MISO registers and their configurations are only used as long as the SPI master is enabled, and retained only as long as the device is in ON mode. PSEL.SCK, PSEL.MOSI, and PSEL.MISO must only be configured when the SPI master is disabled.

To secure correct behavior in the SPI, the pins used by the SPI must be configured in the GPIO peripheral as described in [Table 121: GPIO configuration](#) on page 515 prior to enabling the SPI. The SCK must

always be connected to a pin, and that pin's input buffer must always be connected for the SPI to work. This configuration must be retained in the GPIO for the selected IOs as long as the SPI is enabled.

Only one peripheral can be assigned to drive a particular GPIO pin at a time, failing to do so may result in unpredictable behavior.

**Table 121: GPIO configuration**

| SPI master signal | SPI master pin           | Direction | Output value        |
|-------------------|--------------------------|-----------|---------------------|
| SCK               | As specified in PSELCK   | Output    | Same as CONFIG.CPOL |
| MOSI              | As specified in PSELMOSI | Output    | 0                   |
| MISO              | As specified in PSELMISO | Input     | Not applicable      |

### 48.1.2 Shared resources

The SPI shares registers and other resources with other peripherals that have the same ID as the SPI. Therefore, the user must disable all peripherals that have the same ID as the SPI before the SPI can be configured and used.

Disabling a peripheral that has the same ID as the SPI will not reset any of the registers that are shared with the SPI. It is therefore important to configure all relevant SPI registers explicitly to secure that it operates correctly.

See the Instantiation table in [Instantiation](#) on page 24 for details on peripherals and their IDs.

### 48.1.3 SPI master transaction sequence

An SPI master transaction is started by writing the first byte, which is to be transmitted by the SPI master, to the TXD register.

Since the transmitter is double buffered, the second byte can be written to the TXD register immediately after the first one. The SPI master will then send these bytes in the order they are written to the TXD register.

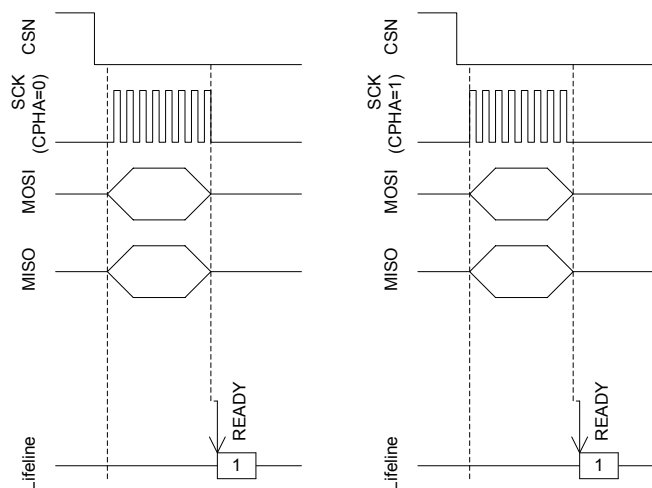
The SPI master is a synchronous interface, and for every byte that is sent, a different byte will be received at the same time; this is illustrated in [Figure 151: SPI master transaction](#) on page 516. Bytes that are received will be moved to the RXD register where the CPU can extract them by reading the register. The RXD register is double buffered in the same way as the TXD register, and a second byte can therefore be received at the same time as the first byte is being extracted from RXD by the CPU. The SPI master will generate a READY event every time a new byte is moved to the RXD register. The double buffered byte will be moved from RXD-1 to RXD as soon as the first byte is extracted from RXD. The SPI master will stop when there are no more bytes to send in TXD and TXD+1.



**Figure 151: SPI master transaction**

The READY event of the third byte transaction is delayed until B is extracted from RXD in occurrence number 3 on the horizontal lifeline. The reason for this is that the third event is generated first when C is moved from RXD-1 to RXD after B is read.

The SPI master will move the incoming byte to the RXD register after a short delay following the SCK clock period of the last bit in the byte. This also means that the READY event will be delayed accordingly, see [Figure 152: SPI master transaction](#) on page 516. Therefore, it is important that you always clear the READY event, even if the RXD register and the data that is being received is not used.



**Figure 152: SPI master transaction**

## 48.2 Registers

**Table 122: Instances**

| Base address | Peripheral | Instance | Description  | Configuration |
|--------------|------------|----------|--------------|---------------|
| 0x40003000   | SPI        | SPI0     | SPI master 0 | Deprecated    |
| 0x40004000   | SPI        | SPI1     | SPI master 1 | Deprecated    |
| 0x40023000   | SPI        | SPI2     | SPI master 2 | Deprecated    |

**Table 123: Register Overview**

| Register         | Offset | Description                         |            |
|------------------|--------|-------------------------------------|------------|
| EVENTS_READY     | 0x108  | TXD byte sent and RXD byte received |            |
| <i>INTENSET</i>  | 0x304  | Enable interrupt                    |            |
| <i>INTENCLR</i>  | 0x308  | Disable interrupt                   |            |
| <i>ENABLE</i>    | 0x500  | Enable SPI                          |            |
| <i>PSELSCK</i>   | 0x508  | Pin select for SCK                  | Deprecated |
| <i>PSELMOSI</i>  | 0x50C  | Pin select for MOSI                 | Deprecated |
| <i>PSELMISO</i>  | 0x510  | Pin select for MISO                 | Deprecated |
| <i>PSEL_SCK</i>  | 0x508  | Pin select for SCK                  |            |
| <i>PSEL_MOSI</i> | 0x50C  | Pin select for MOSI                 |            |
| <i>PSEL_MISO</i> | 0x510  | Pin select for MISO                 |            |
| <i>RXD</i>       | 0x518  | RXD register                        |            |
| <i>TXD</i>       | 0x51C  | TXD register                        |            |
| <i>FREQUENCY</i> | 0x524  | SPI frequency                       |            |
| <i>CONFIG</i>    | 0x554  | Configuration register              |            |

### 48.2.1 INTENSET

Address offset: 0x304

Enable interrupt

| Bit number       | 31  | 30       | 29    | 28 | 27    | 26  | 25 | 24 | 23 | 22 | 21 | 20 | 19 | 18 | 17 | 16 | 15 | 14 | 13 | 12 | 11 | 10 | 9 | 8 | 7 | 6 | 5 | 4 | 3 | 2 | 1 | 0 |
|------------------|---|----------|-------|----|-------|---|----|----|----|----|----|----|----|----|----|----|----|----|----|----|----|----|---|---|---|---|---|---|---|---|---|---|
| Id               |   |          |       |    |       |   |    |    |    |    |    |    |    |    |    |    | A  |    |    |    |    |    |   |   |   |   |   |   |   |   |   |   |
| Reset 0x00000000 | 0 |          |       |    |       |   |    |    |    |    |    |    |    |    |    |    |    |    |    |    |    |    |   |   |   |   |   |   |   |   |   |   |
| Id               | RW  | Field    | Value | Id | Value | Description                                   |    |    |    |    |    |    |    |    |    |    |    |    |    |    |    |    |   |   |   |   |   |   |   |   |   |   |
| A                | RW  | READY    |       |    |       | Write '1' to Enable interrupt for READY event |    |    |    |    |    |    |    |    |    |    |    |    |    |    |    |    |   |   |   |   |   |   |   |   |   |   |
|                  |   |          |       |    |       | See <a href="#">EVENTS_READY</a>              |    |    |    |    |    |    |    |    |    |    |    |    |    |    |    |    |   |   |   |   |   |   |   |   |   |   |
|                  |   | Set      | 1     |    |       | Enable  |    |    |    |    |    |    |    |    |    |    |    |    |    |    |    |    |   |   |   |   |   |   |   |   |   |   |
|                  |   | Disabled | 0     |    |       | Read: Disabled                                |    |    |    |    |    |    |    |    |    |    |    |    |    |    |    |    |   |   |   |   |   |   |   |   |   |   |
|                  |   | Enabled  | 1     |    |       | Read: Enabled                                 |    |    |    |    |    |    |    |    |    |    |    |    |    |    |    |    |   |   |   |   |   |   |   |   |   |   |

### 48.2.2 INTENCLR

Address offset: 0x308

Disable interrupt

| Bit number       | 31  | 30       | 29    | 28 | 27    | 26   | 25 | 24 | 23 | 22 | 21 | 20 | 19 | 18 | 17 | 16 | 15 | 14 | 13 | 12 | 11 | 10 | 9 | 8 | 7 | 6 | 5 | 4 | 3 | 2 | 1 | 0 |
|------------------|---|----------|-------|----|-------|--|----|----|----|----|----|----|----|----|----|----|----|----|----|----|----|----|---|---|---|---|---|---|---|---|---|---|
| Id               |   |          |       |    |       |  |    |    |    |    |    |    |    |    |    |    | A  |    |    |    |    |    |   |   |   |   |   |   |   |   |   |   |
| Reset 0x00000000 | 0 |          |       |    |       |  |    |    |    |    |    |    |    |    |    |    |    |    |    |    |    |    |   |   |   |   |   |   |   |   |   |   |
| Id               | RW  | Field    | Value | Id | Value | Description                                    |    |    |    |    |    |    |    |    |    |    |    |    |    |    |    |    |   |   |   |   |   |   |   |   |   |   |
| A                | RW  | READY    |       |    |       | Write '1' to Disable interrupt for READY event |    |    |    |    |    |    |    |    |    |    |    |    |    |    |    |    |   |   |   |   |   |   |   |   |   |   |
|                  |   |          |       |    |       | See <a href="#">EVENTS_READY</a>               |    |    |    |    |    |    |    |    |    |    |    |    |    |    |    |    |   |   |   |   |   |   |   |   |   |   |
|                  |   | Clear    | 1     |    |       | Disable  |    |    |    |    |    |    |    |    |    |    |    |    |    |    |    |    |   |   |   |   |   |   |   |   |   |   |
|                  |   | Disabled | 0     |    |       | Read: Disabled                                 |    |    |    |    |    |    |    |    |    |    |    |    |    |    |    |    |   |   |   |   |   |   |   |   |   |   |
|                  |   | Enabled  | 1     |    |       | Read: Enabled                                  |    |    |    |    |    |    |    |    |    |    |    |    |    |    |    |    |   |   |   |   |   |   |   |   |   |   |

### 48.2.3 ENABLE

Address offset: 0x500

Enable SPI

| Bit number       | 31 30 29 28 27 26 25 24 23 22 21 20 19 18 17 16 15 14 13 12 11 10 9 8 7 6 5 4 3 2 1 0 |        |          |       |                       |  |  |  |  |  |  |  |  |  |  |  |  |  |  |  |  |  |  |  |  |  |  |  |  |  |  |
|------------------|---|--------|----------|-------|-----------------------|--|--|--|--|--|--|--|--|--|--|--|--|--|--|--|--|--|--|--|--|--|--|--|--|--|--|
| Id               | A                 |        |          |       |                       |  |  |  |  |  |  |  |  |  |  |  |  |  |  |  |  |  |  |  |  |  |  |  |  |  |  |
| Reset 0x00000000 | 0                       |        |          |       |                       |  |  |  |  |  |  |  |  |  |  |  |  |  |  |  |  |  |  |  |  |  |  |  |  |  |  |
| Id               | RW  | Field  | Value Id | Value | Description           |  |  |  |  |  |  |  |  |  |  |  |  |  |  |  |  |  |  |  |  |  |  |  |  |  |  |
| A                | RW  | ENABLE |          |       | Enable or disable SPI |  |  |  |  |  |  |  |  |  |  |  |  |  |  |  |  |  |  |  |  |  |  |  |  |  |  |
|                  |   |        | Disabled | 0     | Disable SPI           |  |  |  |  |  |  |  |  |  |  |  |  |  |  |  |  |  |  |  |  |  |  |  |  |  |  |
|                  |   |        | Enabled  | 1     | Enable SPI            |  |  |  |  |  |  |  |  |  |  |  |  |  |  |  |  |  |  |  |  |  |  |  |  |  |  |

### 48.2.4 PSELSCK ( Deprecated )

Address offset: 0x508

Pin select for SCK

| Bit number       | 31 30 29 28 27 26 25 24 23 22 21 20 19 18 17 16 15 14 13 12 11 10 9 8 7 6 5 4 3 2 1 0 |         |              |            |   |  |  |  |  |  |  |  |  |  |  |  |  |  |  |  |  |  |  |  |  |  |  |  |  |  |  |
|------------------|---|---------|--------------|------------|---|--|--|--|--|--|--|--|--|--|--|--|--|--|--|--|--|--|--|--|--|--|--|--|--|--|--|
| Id               | A                 |         |              |            |   |  |  |  |  |  |  |  |  |  |  |  |  |  |  |  |  |  |  |  |  |  |  |  |  |  |  |
| Reset 0xFFFFFFFF | 1                       |         |              |            |   |  |  |  |  |  |  |  |  |  |  |  |  |  |  |  |  |  |  |  |  |  |  |  |  |  |  |
| Id               | RW  | Field   | Value Id     | Value      | Description                                 |  |  |  |  |  |  |  |  |  |  |  |  |  |  |  |  |  |  |  |  |  |  |  |  |  |  |
| A                | RW  | PSELSCK |              | [0..31]    | Pin number configuration for SPI SCK signal |  |  |  |  |  |  |  |  |  |  |  |  |  |  |  |  |  |  |  |  |  |  |  |  |  |  |
|                  |   |         | Disconnected | 0xFFFFFFFF | Disconnect                                  |  |  |  |  |  |  |  |  |  |  |  |  |  |  |  |  |  |  |  |  |  |  |  |  |  |  |

### 48.2.5 PSELMOSI ( Deprecated )

Address offset: 0x50C

Pin select for MOSI

| Bit number       | 31 30 29 28 27 26 25 24 23 22 21 20 19 18 17 16 15 14 13 12 11 10 9 8 7 6 5 4 3 2 1 0 |          |              |            |  |  |  |  |  |  |  |  |  |  |  |  |  |  |  |  |  |  |  |  |  |  |  |  |  |  |  |
|------------------|---|----------|--------------|------------|--|--|--|--|--|--|--|--|--|--|--|--|--|--|--|--|--|--|--|--|--|--|--|--|--|--|--|
| Id               | A                 |          |              |            |  |  |  |  |  |  |  |  |  |  |  |  |  |  |  |  |  |  |  |  |  |  |  |  |  |  |  |
| Reset 0xFFFFFFFF | 1                       |          |              |            |  |  |  |  |  |  |  |  |  |  |  |  |  |  |  |  |  |  |  |  |  |  |  |  |  |  |  |
| Id               | RW  | Field    | Value Id     | Value      | Description                                  |  |  |  |  |  |  |  |  |  |  |  |  |  |  |  |  |  |  |  |  |  |  |  |  |  |  |
| A                | RW  | PSELMOSI |              | [0..31]    | Pin number configuration for SPI MOSI signal |  |  |  |  |  |  |  |  |  |  |  |  |  |  |  |  |  |  |  |  |  |  |  |  |  |  |
|                  |   |          | Disconnected | 0xFFFFFFFF | Disconnect                                   |  |  |  |  |  |  |  |  |  |  |  |  |  |  |  |  |  |  |  |  |  |  |  |  |  |  |

### 48.2.6 PSELMISO ( Deprecated )

Address offset: 0x510

Pin select for MISO

| Bit number       | 31 30 29 28 27 26 25 24 23 22 21 20 19 18 17 16 15 14 13 12 11 10 9 8 7 6 5 4 3 2 1 0 |          |              |            |  |  |  |  |  |  |  |  |  |  |  |  |  |  |  |  |  |  |  |  |  |  |  |  |  |  |  |
|------------------|---|----------|--------------|------------|--|--|--|--|--|--|--|--|--|--|--|--|--|--|--|--|--|--|--|--|--|--|--|--|--|--|--|
| Id               | A                 |          |              |            |  |  |  |  |  |  |  |  |  |  |  |  |  |  |  |  |  |  |  |  |  |  |  |  |  |  |  |
| Reset 0xFFFFFFFF | 1                       |          |              |            |  |  |  |  |  |  |  |  |  |  |  |  |  |  |  |  |  |  |  |  |  |  |  |  |  |  |  |
| Id               | RW  | Field    | Value Id     | Value      | Description                                  |  |  |  |  |  |  |  |  |  |  |  |  |  |  |  |  |  |  |  |  |  |  |  |  |  |  |
| A                | RW  | PSELMISO |              | [0..31]    | Pin number configuration for SPI MISO signal |  |  |  |  |  |  |  |  |  |  |  |  |  |  |  |  |  |  |  |  |  |  |  |  |  |  |
|                  |   |          | Disconnected | 0xFFFFFFFF | Disconnect                                   |  |  |  |  |  |  |  |  |  |  |  |  |  |  |  |  |  |  |  |  |  |  |  |  |  |  |

### 48.2.7 PSEL.SCK

Address offset: 0x508

Pin select for SCK

| Bit number       | 31 30 29 28 27 26 25 24 23 22 21 20 19 18 17 16 15 14 13 12 11 10 9 8 7 6 5 4 3 2 1 0 |         |              |            |   |  |  |  |  |  |  |  |  |  |  |  |  |  |  |  |  |  |  |  |  |  |  |  |  |  |  |
|------------------|---|---------|--------------|------------|---|--|--|--|--|--|--|--|--|--|--|--|--|--|--|--|--|--|--|--|--|--|--|--|--|--|--|
| Id               | A                 |         |              |            |   |  |  |  |  |  |  |  |  |  |  |  |  |  |  |  |  |  |  |  |  |  |  |  |  |  |  |
| Reset 0xFFFFFFFF | 1                       |         |              |            |   |  |  |  |  |  |  |  |  |  |  |  |  |  |  |  |  |  |  |  |  |  |  |  |  |  |  |
| Id               | RW  | Field   | Value Id     | Value      | Description                                 |  |  |  |  |  |  |  |  |  |  |  |  |  |  |  |  |  |  |  |  |  |  |  |  |  |  |
| A                | RW  | PSELSCK |              | [0..31]    | Pin number configuration for SPI SCK signal |  |  |  |  |  |  |  |  |  |  |  |  |  |  |  |  |  |  |  |  |  |  |  |  |  |  |
|                  |   |         | Disconnected | 0xFFFFFFFF | Disconnect                                  |  |  |  |  |  |  |  |  |  |  |  |  |  |  |  |  |  |  |  |  |  |  |  |  |  |  |

### 48.2.8 PSEL.MOSI

Address offset: 0x50C

Pin select for MOSI

| Bit number       | 31 | 30       | 29           | 28                    | 27   | 26 | 25 | 24 | 23 | 22 | 21 | 20 | 19 | 18 | 17 | 16 | 15 | 14 | 13 | 12 | 11 | 10 | 9 | 8 | 7 | 6 | 5 | 4 | 3 | 2 | 1 | 0 |
|------------------|----|----------|--------------|-----------------------|--|----|----|----|----|----|----|----|----|----|----|----|----|----|----|----|----|----|---|---|---|---|---|---|---|---|---|---|
| Id               | A  | A        | A            | A                     | A  | A  | A  | A  | A  | A  | A  | A  | A  | A  | A  | A  | A  | A  | A  | A  | A  | A  | A | A | A | A | A | A | A | A | A | A |
| Reset 0xFFFFFFFF | 1  | 1        | 1            | 1                     | 1  | 1  | 1  | 1  | 1  | 1  | 1  | 1  | 1  | 1  | 1  | 1  | 1  | 1  | 1  | 1  | 1  | 1  | 1 | 1 | 1 | 1 | 1 | 1 | 1 | 1 | 1 |   |
| Id               | RW | Field    | Value Id     | Value                 | Description  |    |    |    |    |    |    |    |    |    |    |    |    |    |    |    |    |    |   |   |   |   |   |   |   |   |   |   |
| A                | RW | PSELMOSI | Disconnected | [0..31]<br>0xFFFFFFFF | Pin number configuration for SPI MOSI signal<br>Disconnect |    |    |    |    |    |    |    |    |    |    |    |    |    |    |    |    |    |   |   |   |   |   |   |   |   |   |   |

### 48.2.9 PSEL.MISO

Address offset: 0x510

Pin select for MISO

| Bit number       | 31 | 30       | 29           | 28                    | 27   | 26 | 25 | 24 | 23 | 22 | 21 | 20 | 19 | 18 | 17 | 16 | 15 | 14 | 13 | 12 | 11 | 10 | 9 | 8 | 7 | 6 | 5 | 4 | 3 | 2 | 1 | 0 |
|------------------|----|----------|--------------|-----------------------|--|----|----|----|----|----|----|----|----|----|----|----|----|----|----|----|----|----|---|---|---|---|---|---|---|---|---|---|
| Id               | A  | A        | A            | A                     | A  | A  | A  | A  | A  | A  | A  | A  | A  | A  | A  | A  | A  | A  | A  | A  | A  | A  | A | A | A | A | A | A | A | A | A |   |
| Reset 0xFFFFFFFF | 1  | 1        | 1            | 1                     | 1  | 1  | 1  | 1  | 1  | 1  | 1  | 1  | 1  | 1  | 1  | 1  | 1  | 1  | 1  | 1  | 1  | 1  | 1 | 1 | 1 | 1 | 1 | 1 | 1 | 1 | 1 |   |
| Id               | RW | Field    | Value Id     | Value                 | Description  |    |    |    |    |    |    |    |    |    |    |    |    |    |    |    |    |    |   |   |   |   |   |   |   |   |   |   |
| A                | RW | PSELMISO | Disconnected | [0..31]<br>0xFFFFFFFF | Pin number configuration for SPI MISO signal<br>Disconnect |    |    |    |    |    |    |    |    |    |    |    |    |    |    |    |    |    |   |   |   |   |   |   |   |   |   |   |

### 48.2.10 RXD

Address offset: 0x518

RXD register

| Bit number       | 31 | 30    | 29       | 28    | 27                                | 26 | 25 | 24 | 23 | 22 | 21 | 20 | 19 | 18 | 17 | 16 | 15 | 14 | 13 | 12 | 11 | 10 | 9 | 8 | 7 | 6 | 5 | 4 | 3 | 2 | 1 | 0 |
|------------------|----|-------|----------|-------|-----------------------------------|----|----|----|----|----|----|----|----|----|----|----|----|----|----|----|----|----|---|---|---|---|---|---|---|---|---|---|
| Id               |    |       |          |       |                                   |    |    |    |    |    |    |    |    |    |    |    |    |    |    |    |    |    |   |   |   | A | A | A | A | A | A | A |
| Reset 0x00000000 | 0  | 0     | 0        | 0     | 0                                 | 0  | 0  | 0  | 0  | 0  | 0  | 0  | 0  | 0  | 0  | 0  | 0  | 0  | 0  | 0  | 0  | 0  | 0 | 0 | 0 | 0 | 0 | 0 | 0 | 0 | 0 |   |
| Id               | RW | Field | Value Id | Value | Description                       |    |    |    |    |    |    |    |    |    |    |    |    |    |    |    |    |    |   |   |   |   |   |   |   |   |   |   |
| A                | R  | RXD   |          |       | RX data received. Double buffered |    |    |    |    |    |    |    |    |    |    |    |    |    |    |    |    |    |   |   |   |   |   |   |   |   |   |   |

### 48.2.11 TXD

Address offset: 0x51C

TXD register

| Bit number       | 31 | 30    | 29       | 28    | 27                               | 26 | 25 | 24 | 23 | 22 | 21 | 20 | 19 | 18 | 17 | 16 | 15 | 14 | 13 | 12 | 11 | 10 | 9 | 8 | 7 | 6 | 5 | 4 | 3 | 2 | 1 | 0 |
|------------------|----|-------|----------|-------|----------------------------------|----|----|----|----|----|----|----|----|----|----|----|----|----|----|----|----|----|---|---|---|---|---|---|---|---|---|---|
| Id               |    |       |          |       |                                  |    |    |    |    |    |    |    |    |    |    |    |    |    |    |    |    |    |   |   |   |   | A | A | A | A | A | A |
| Reset 0x00000000 | 0  | 0     | 0        | 0     | 0                                | 0  | 0  | 0  | 0  | 0  | 0  | 0  | 0  | 0  | 0  | 0  | 0  | 0  | 0  | 0  | 0  | 0  | 0 | 0 | 0 | 0 | 0 | 0 | 0 | 0 | 0 |   |
| Id               | RW | Field | Value Id | Value | Description                      |    |    |    |    |    |    |    |    |    |    |    |    |    |    |    |    |    |   |   |   |   |   |   |   |   |   |   |
| A                | RW | TXD   |          |       | TX data to send. Double buffered |    |    |    |    |    |    |    |    |    |    |    |    |    |    |    |    |    |   |   |   |   |   |   |   |   |   |   |

### 48.2.12 FREQUENCY

Address offset: 0x524

SPI frequency

| Bit number       | 31 | 30        | 29       | 28         | 27                               | 26 | 25 | 24 | 23 | 22 | 21 | 20 | 19 | 18 | 17 | 16 | 15 | 14 | 13 | 12 | 11 | 10 | 9 | 8 | 7 | 6 | 5 | 4 | 3 | 2 | 1 | 0 |
|------------------|----|-----------|----------|------------|----------------------------------|----|----|----|----|----|----|----|----|----|----|----|----|----|----|----|----|----|---|---|---|---|---|---|---|---|---|---|
| Id               | A  | A         | A        | A          | A                                | A  | A  | A  | A  | A  | A  | A  | A  | A  | A  | A  | A  | A  | A  | A  | A  | A  | A | A | A | A | A | A | A | A | A |   |
| Reset 0x04000000 | 0  | 0         | 0        | 0          | 0                                | 1  | 0  | 0  | 0  | 0  | 0  | 0  | 0  | 0  | 0  | 0  | 0  | 0  | 0  | 0  | 0  | 0  | 0 | 0 | 0 | 0 | 0 | 0 | 0 | 0 | 0 |   |
| Id               | RW | Field     | Value Id | Value      | Description                      |    |    |    |    |    |    |    |    |    |    |    |    |    |    |    |    |    |   |   |   |   |   |   |   |   |   |   |
| A                | RW | FREQUENCY | K125     | 0x02000000 | SPI master data rate<br>125 kbps |    |    |    |    |    |    |    |    |    |    |    |    |    |    |    |    |    |   |   |   |   |   |   |   |   |   |   |
|                  |    |           | K250     | 0x04000000 | 250 kbps                         |    |    |    |    |    |    |    |    |    |    |    |    |    |    |    |    |    |   |   |   |   |   |   |   |   |   |   |
|                  |    |           | K500     | 0x08000000 | 500 kbps                         |    |    |    |    |    |    |    |    |    |    |    |    |    |    |    |    |    |   |   |   |   |   |   |   |   |   |   |
|                  |    |           | M1       | 0x10000000 | 1 Mbps                           |    |    |    |    |    |    |    |    |    |    |    |    |    |    |    |    |    |   |   |   |   |   |   |   |   |   |   |

|                  |           |              |                 |              |                    |    |    |    |    |    |    |    |    |    |    |    |    |    |    |    |    |    |   |   |   |   |   |   |   |   |   |   |
|------------------|-----------|--------------|-----------------|--------------|--------------------|----|----|----|----|----|----|----|----|----|----|----|----|----|----|----|----|----|---|---|---|---|---|---|---|---|---|---|
| Bit number       | 31        | 30           | 29              | 28           | 27                 | 26 | 25 | 24 | 23 | 22 | 21 | 20 | 19 | 18 | 17 | 16 | 15 | 14 | 13 | 12 | 11 | 10 | 9 | 8 | 7 | 6 | 5 | 4 | 3 | 2 | 1 | 0 |
| Id               | A         | A            | A               | A            | A                  | A  | A  | A  | A  | A  | A  | A  | A  | A  | A  | A  | A  | A  | A  | A  | A  | A  | A | A | A | A | A | A | A | A | A | A |
| Reset 0x04000000 | 0         | 0            | 0               | 0            | 0                  | 1  | 0  | 0  | 0  | 0  | 0  | 0  | 0  | 0  | 0  | 0  | 0  | 0  | 0  | 0  | 0  | 0  | 0 | 0 | 0 | 0 | 0 | 0 | 0 | 0 | 0 | 0 |
| <b>Id</b>        | <b>RW</b> | <b>Field</b> | <b>Value Id</b> | <b>Value</b> | <b>Description</b> |    |    |    |    |    |    |    |    |    |    |    |    |    |    |    |    |    |   |   |   |   |   |   |   |   |   |   |
|                  |           |              | M2              | 0x20000000   | 2 Mbps             |    |    |    |    |    |    |    |    |    |    |    |    |    |    |    |    |    |   |   |   |   |   |   |   |   |   |   |
|                  |           |              | M4              | 0x40000000   | 4 Mbps             |    |    |    |    |    |    |    |    |    |    |    |    |    |    |    |    |    |   |   |   |   |   |   |   |   |   |   |
|                  |           |              | M8              | 0x80000000   | 8 Mbps             |    |    |    |    |    |    |    |    |    |    |    |    |    |    |    |    |    |   |   |   |   |   |   |   |   |   |   |

### 48.2.13 CONFIG

Address offset: 0x554

Configuration register

|                  |           |              |                 |              |   |    |    |    |    |    |    |    |    |    |    |    |    |    |    |    |    |    |   |   |   |   |   |   |   |   |   |   |
|------------------|-----------|--------------|-----------------|--------------|---|----|----|----|----|----|----|----|----|----|----|----|----|----|----|----|----|----|---|---|---|---|---|---|---|---|---|---|
| Bit number       | 31        | 30           | 29              | 28           | 27  | 26 | 25 | 24 | 23 | 22 | 21 | 20 | 19 | 18 | 17 | 16 | 15 | 14 | 13 | 12 | 11 | 10 | 9 | 8 | 7 | 6 | 5 | 4 | 3 | 2 | 1 | 0 |
| Id               |           |              |                 |              |   |    |    |    |    |    |    |    |    |    |    |    |    |    |    |    |    |    |   |   |   |   | C | B | A |   |   |   |
| Reset 0x00000000 | 0         | 0            | 0               | 0            | 0   | 0  | 0  | 0  | 0  | 0  | 0  | 0  | 0  | 0  | 0  | 0  | 0  | 0  | 0  | 0  | 0  | 0  | 0 | 0 | 0 | 0 | 0 | 0 | 0 | 0 | 0 | 0 |
| <b>Id</b>        | <b>RW</b> | <b>Field</b> | <b>Value Id</b> | <b>Value</b> | <b>Description</b>  |    |    |    |    |    |    |    |    |    |    |    |    |    |    |    |    |    |   |   |   |   |   |   |   |   |   |   |
| A                | RW        | ORDER        |                 |              | Bit order   |    |    |    |    |    |    |    |    |    |    |    |    |    |    |    |    |    |   |   |   |   |   |   |   |   |   |   |
|                  |           |              | MsbFirst        | 0            | Most significant bit shifted out first                              |    |    |    |    |    |    |    |    |    |    |    |    |    |    |    |    |    |   |   |   |   |   |   |   |   |   |   |
|                  |           |              | LsbFirst        | 1            | Least significant bit shifted out first                             |    |    |    |    |    |    |    |    |    |    |    |    |    |    |    |    |    |   |   |   |   |   |   |   |   |   |   |
| B                | RW        | CPHA         |                 |              | Serial clock (SCK) phase  |    |    |    |    |    |    |    |    |    |    |    |    |    |    |    |    |    |   |   |   |   |   |   |   |   |   |   |
|                  |           |              | Leading         | 0            | Sample on leading edge of clock, shift serial data on trailing edge |    |    |    |    |    |    |    |    |    |    |    |    |    |    |    |    |    |   |   |   |   |   |   |   |   |   |   |
|                  |           |              | Trailing        | 1            | Sample on trailing edge of clock, shift serial data on leading edge |    |    |    |    |    |    |    |    |    |    |    |    |    |    |    |    |    |   |   |   |   |   |   |   |   |   |   |
| C                | RW        | CPOL         |                 |              | Serial clock (SCK) polarity   |    |    |    |    |    |    |    |    |    |    |    |    |    |    |    |    |    |   |   |   |   |   |   |   |   |   |   |
|                  |           |              | ActiveHigh      | 0            | Active high   |    |    |    |    |    |    |    |    |    |    |    |    |    |    |    |    |    |   |   |   |   |   |   |   |   |   |   |
|                  |           |              | ActiveLow       | 1            | Active low  |    |    |    |    |    |    |    |    |    |    |    |    |    |    |    |    |    |   |   |   |   |   |   |   |   |   |   |

## 48.3 Electrical specification

### 48.3.1 SPI master interface

| Symbol             | Description   | Min. | Typ.                    | Max.             | Units   |
|--------------------|---|------|-------------------------|------------------|---------|
| $f_{SPI}$          | Bit rates for SPI <sup>39</sup>   |      |                         | 8 <sup>40</sup>  | Mbps    |
| $I_{SPI,2Mbps}$    | Run current for SPI, 2 Mbps   |      |                         | 50               | $\mu A$ |
| $I_{SPI,8Mbps}$    | Run current for SPI, 8 Mbps   |      |                         | 50               | $\mu A$ |
| $I_{SPI,IDLE}$     | Idle current for SPI (STARTed, no CSN activity)                               |      | <1                      |                  | $\mu A$ |
| $t_{SPI,START,LP}$ | Time from writing TXD register to transmission started, low power mode        |      | $t_{SPI,START,CI}$<br>+ | $t_{START,HFIN}$ | $\mu s$ |
| $t_{SPI,START,CL}$ | Time from writing TXD register to transmission started, constant latency mode |      | 1                       |                  | $\mu s$ |

### 48.3.2 Serial Peripheral Interface (SPI) Master timing specifications

| Symbol               | Description                            | Min. | Typ. | Max.           | Units |
|----------------------|--|------|------|----------------|-------|
| $t_{SPI,CSCK,8Mbps}$ | SCK period at 8Mbps                    |      | 125  |                | ns    |
| $t_{SPI,CSCK,4Mbps}$ | SCK period at 4Mbps                    |      | 250  |                | ns    |
| $t_{SPI,CSCK,2Mbps}$ | SCK period at 2Mbps                    |      | 500  |                | ns    |
| $t_{SPI,RSCK,LD}$    | SCK rise time, low drive <sup>a</sup>  |      |      | $t_{RF,25pF}$  |       |
| $t_{SPI,RSCK,HD}$    | SCK rise time, high drive <sup>a</sup> |      |      | $t_{HRF,25pF}$ |       |
| $t_{SPI,FSCK,LD}$    | SCK fall time, low drive <sup>a</sup>  |      |      | $t_{RF,25pF}$  |       |
| $t_{SPI,FSCK,HD}$    | SCK fall time, high drive <sup>a</sup> |      |      | $t_{HRF,25pF}$ |       |

<sup>39</sup> Higher bit rates may require GPIOs to be set as High Drive, see GPIO chapter for more details.

<sup>40</sup> The actual maximum data rate depends on the slave's CLK to MISO and MOSI setup and hold timings.

<sup>a</sup> At 25pF load, including GPIO capacitance, see GPIO spec.



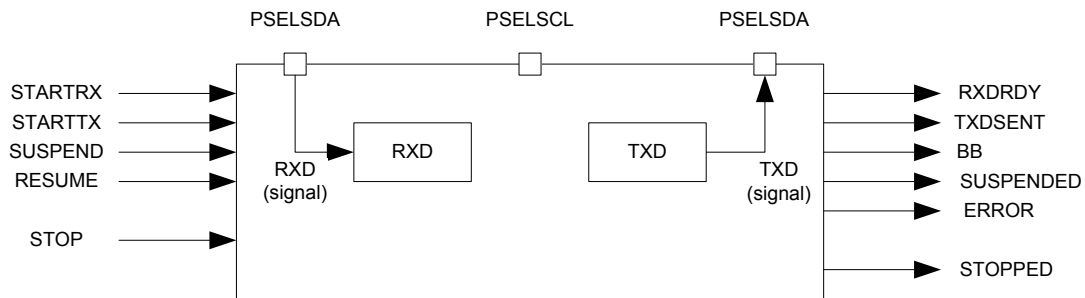
| Symbol          | Description                   | Min.                   | Typ. | Max. | Units |
|-----------------|-------------------------------|------------------------|------|------|-------|
| $t_{SPI,WHSCk}$ | SCK high time <sup>a</sup>    | $(0.5 \cdot t_{cSCK})$ |      |      |       |
| $t_{SPI,WLSCk}$ | SCK low time <sup>a</sup>     | $(0.5 \cdot t_{cSCK})$ |      |      |       |
| $t_{SPI,SUMI}$  | MISO to CLK edge setup time   | 19                     |      |      | ns    |
| $t_{SPI,HMI}$   | CLK edge to MISO hold time    | 18                     |      |      | ns    |
| $t_{SPI,VMO}$   | CLK edge to MOSI valid        |                        |      | 59   | ns    |
| $t_{SPI,HMO}$   | MOSI hold time after CLK edge | 20                     |      |      | ns    |



Figure 153: SPI master timing diagram

## 49 TWI — I<sup>2</sup>C compatible two-wire interface

The TWI master is compatible with I<sup>2</sup>C operating at 100 kHz and 400 kHz.



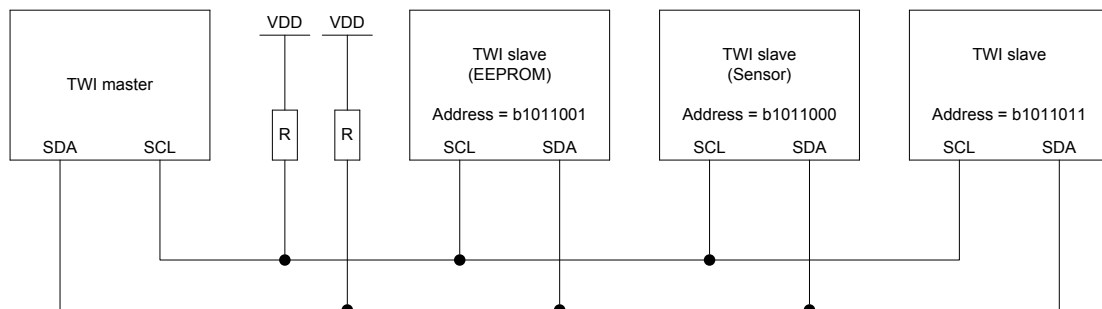
**Figure 154: TWI master's main features**

### 49.1 Functional description

This TWI master is not compatible with CBUS. The TWI transmitter and receiver are single buffered.

See, [Figure 154: TWI master's main features](#) on page 522.

A TWI setup comprising one master and three slaves is illustrated in [Figure 155: A typical TWI setup comprising one master and three slaves](#) on page 522. This TWI master is only able to operate as the only master on the TWI bus.



**Figure 155: A typical TWI setup comprising one master and three slaves**

This TWI master supports clock stretching performed by the slaves. The TWI master is started by triggering the STARTTX or STARTRX tasks, and stopped by triggering the STOP task.

If a NACK is clocked in from the slave, the TWI master will generate an ERROR event.

### 49.2 Master mode pin configuration

The different signals SCL and SDA associated with the TWI master are mapped to physical pins according to the configuration specified in the PSELSCL and PSELSDA registers respectively.

If a value of 0xFFFFFFFF is specified in any of these registers, the associated TWI master signal is not connected to any physical pin. The PSELSCL and PSELSDA registers and their configurations are only used

as long as the TWI master is enabled, and retained only as long as the device is in ON mode. PSEL\_SCL and PSEL\_SDA must only be configured when the TWI is disabled.

To secure correct signal levels on the pins used by the TWI master when the system is in OFF mode, and when the TWI master is disabled, these pins must be configured in the GPIO peripheral as described in [Table 124: GPIO configuration](#) on page 523.

Only one peripheral can be assigned to drive a particular GPIO pin at a time, failing to do so may result in unpredictable behavior.

**Table 124: GPIO configuration**

| TWI master signal | TWI master pin           | Direction | Drive strength | Output value   |
|-------------------|--------------------------|-----------|----------------|----------------|
| SCL               | As specified in PSEL_SCL | Input     | S0D1           | Not applicable |
| SDA               | As specified in PSEL_SDA | Input     | S0D1           | Not applicable |

## 49.3 Shared resources

The TWI shares registers and other resources with other peripherals that have the same ID as the TWI.

Therefore, you must disable all peripherals that have the same ID as the TWI before the TWI can be configured and used. Disabling a peripheral that has the same ID as the TWI will not reset any of the registers that are shared with the TWI. It is therefore important to configure all relevant TWI registers explicitly to secure that it operates correctly.

The Instantiation table in [Instantiation](#) on page 24 shows which peripherals have the same ID as the TWI.

## 49.4 Master write sequence

A TWI master write sequence is started by triggering the STARTTX task. After the STARTTX task has been triggered, the TWI master will generate a start condition on the TWI bus, followed by clocking out the address and the READ/WRITE bit set to 0 (WRITE=0, READ=1).

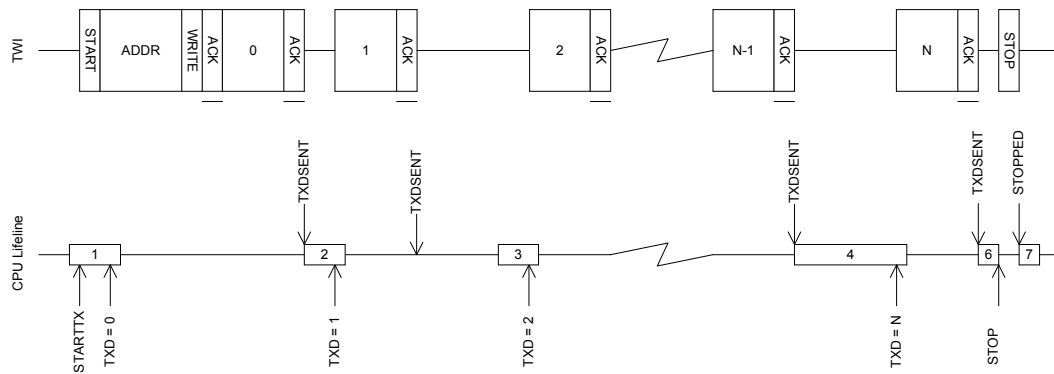
The address must match the address of the slave device that the master wants to write to. The READ/WRITE bit is followed by an ACK/NACK bit (ACK=0 or NACK=1) generated by the slave.

After receiving the ACK bit, the TWI master will clock out the data bytes that are written to the TXD register. Each byte clocked out from the master will be followed by an ACK/NACK bit clocked in from the slave. A TXDSENT event will be generated each time the TWI master has clocked out a TXD byte, and the associated ACK/NACK bit has been clocked in from the slave.

The TWI master transmitter is single buffered, and a second byte can only be written to the TXD register after the previous byte has been clocked out and the ACK/NACK bit clocked in, that is, after the TXDSENT event has been generated.

If the CPU is prevented from writing to TXD when the TWI master is ready to clock out a byte, the TWI master will stretch the clock until the CPU has written a byte to the TXD register.

A typical TWI master write sequence is illustrated in [Figure 156: The TWI master writing data to a slave](#) on page 524. Occurrence 3 in the figure illustrates delayed processing of the TXDSENT event associated with TXD byte 1. In this scenario the TWI master will stretch the clock to prevent writing erroneous data to the slave.



**Figure 156: The TWI master writing data to a slave**

The TWI master write sequence is stopped when the STOP task is triggered whereupon the TWI master will generate a stop condition on the TWI bus.

## 49.5 Master read sequence

A TWI master read sequence is started by triggering the STARTRX task. After the STARTRX task has been triggered the TWI master will generate a start condition on the TWI bus, followed by clocking out the address and the READ/WRITE bit set to 1 (WRITE = 0, READ = 1).

The address must match the address of the slave device that the master wants to read from. The READ/WRITE bit is followed by an ACK/NACK bit (ACK=0 or NACK = 1) generated by the slave.

After having sent the ACK bit the TWI slave will send data to the master using the clock generated by the master.

The TWI master will generate a RXDRDY event every time a new byte is received in the RXD register.

After receiving a byte, the TWI master will delay sending the ACK/NACK bit by stretching the clock until the CPU has extracted the received byte, that is, by reading the RXD register.

The TWI master read sequence is stopped by triggering the STOP task. This task must be triggered before the last byte is extracted from RXD to ensure that the TWI master sends a NACK back to the slave before generating the stop condition.

A typical TWI master read sequence is illustrated in [Figure 157: The TWI master reading data from a slave](#) on page 525. Occurrence 3 in this figure illustrates delayed processing of the RXDRDY event associated with RXD byte B. In this scenario the TWI master will stretch the clock to prevent the slave from overwriting the contents of the RXD register.

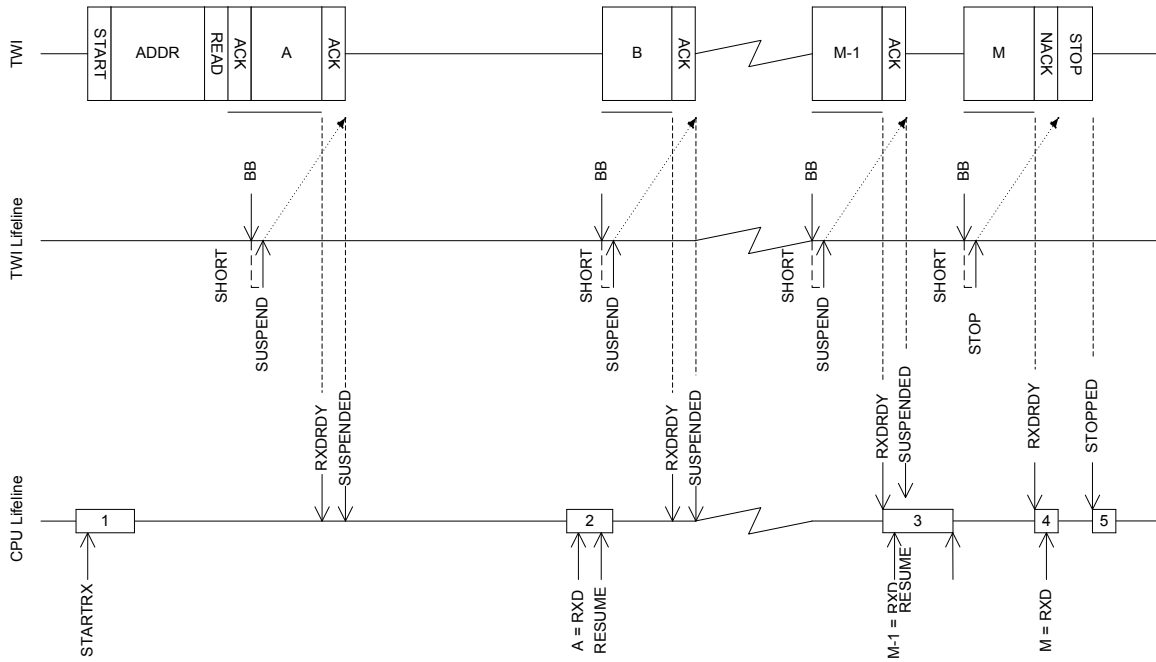


Figure 157: The TWI master reading data from a slave

## 49.6 Master repeated start sequence

A typical repeated start sequence is one in which the TWI master writes one byte to the slave followed by reading M bytes from the slave. Any combination and number of transmit and receive sequences can be combined in this fashion. Only one shortcut to STOP can be enabled at any given time.

The figure below illustrates a repeated start sequence where the TWI master writes one byte, followed by reading M bytes from the slave without performing a stop in-between.

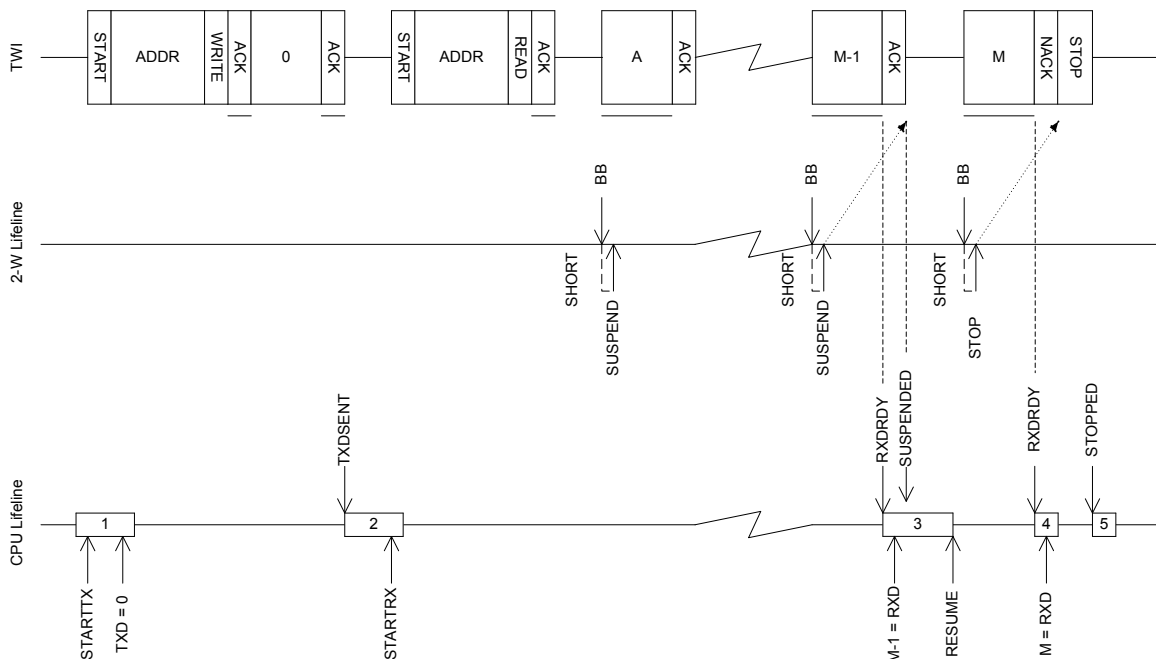


Figure 158: A repeated start sequence, where the TWI master writes one byte, followed by reading M bytes from the slave without performing a stop in-between





| Bit number       | 31 30 29 28 27 26 25 24 23 22 21 20 19 18 17 16 15 14 13 12 11 10 9 8 7 6 5 4 3 2 1 0 |           |          |    |                |  |  |  |  |  |  |  |  |  |  |   |  |  |  |  |   |  |  |  |  |   |  |  |  |  |  |   |  |  |  |  |   |  |  |  |  |
|------------------|---|-----------|----------|----|----------------|--|--|--|--|--|--|--|--|--|--|---|--|--|--|--|---|--|--|--|--|---|--|--|--|--|--|---|--|--|--|--|---|--|--|--|--|
| Id               | F   |           |          |    |                |  |  |  |  |  |  |  |  |  |  | E |  |  |  |  | D |  |  |  |  | C |  |  |  |  |  | B |  |  |  |  | A |  |  |  |  |
| Reset 0x00000000 | 0 |           |          |    |                |  |  |  |  |  |  |  |  |  |  |   |  |  |  |  |   |  |  |  |  |   |  |  |  |  |  |   |  |  |  |  |   |  |  |  |  |
| Id               | RW  | Field     | Value    | Id | Value          | Description  |  |  |  |  |  |  |  |  |  |   |  |  |  |  |   |  |  |  |  |   |  |  |  |  |  |   |  |  |  |  |   |  |  |  |  |
| A                | RW  | STOPPED   |          |    |                | Write '1' to Disable interrupt for STOPPED event   |  |  |  |  |  |  |  |  |  |   |  |  |  |  |   |  |  |  |  |   |  |  |  |  |  |   |  |  |  |  |   |  |  |  |  |
|                  |   |           |          |    |                | See <a href="#">EVENTS_STOPPED</a>                 |  |  |  |  |  |  |  |  |  |   |  |  |  |  |   |  |  |  |  |   |  |  |  |  |  |   |  |  |  |  |   |  |  |  |  |
|                  |   |           | Clear    | 1  | Disable        |  |  |  |  |  |  |  |  |  |  |   |  |  |  |  |   |  |  |  |  |   |  |  |  |  |  |   |  |  |  |  |   |  |  |  |  |
|                  |   |           | Disabled | 0  | Read: Disabled |  |  |  |  |  |  |  |  |  |  |   |  |  |  |  |   |  |  |  |  |   |  |  |  |  |  |   |  |  |  |  |   |  |  |  |  |
| B                | RW  | RXDREADY  |          |    |                | Write '1' to Disable interrupt for RXDREADY event  |  |  |  |  |  |  |  |  |  |   |  |  |  |  |   |  |  |  |  |   |  |  |  |  |  |   |  |  |  |  |   |  |  |  |  |
|                  |   |           |          |    |                | See <a href="#">EVENTS_RXDREADY</a>                |  |  |  |  |  |  |  |  |  |   |  |  |  |  |   |  |  |  |  |   |  |  |  |  |  |   |  |  |  |  |   |  |  |  |  |
|                  |   |           | Clear    | 1  | Disable        |  |  |  |  |  |  |  |  |  |  |   |  |  |  |  |   |  |  |  |  |   |  |  |  |  |  |   |  |  |  |  |   |  |  |  |  |
|                  |   |           | Disabled | 0  | Read: Disabled |  |  |  |  |  |  |  |  |  |  |   |  |  |  |  |   |  |  |  |  |   |  |  |  |  |  |   |  |  |  |  |   |  |  |  |  |
| C                | RW  | TXDSENT   |          |    |                | Write '1' to Disable interrupt for TXDSENT event   |  |  |  |  |  |  |  |  |  |   |  |  |  |  |   |  |  |  |  |   |  |  |  |  |  |   |  |  |  |  |   |  |  |  |  |
|                  |   |           |          |    |                | See <a href="#">EVENTS_TXDSENT</a>                 |  |  |  |  |  |  |  |  |  |   |  |  |  |  |   |  |  |  |  |   |  |  |  |  |  |   |  |  |  |  |   |  |  |  |  |
|                  |   |           | Clear    | 1  | Disable        |  |  |  |  |  |  |  |  |  |  |   |  |  |  |  |   |  |  |  |  |   |  |  |  |  |  |   |  |  |  |  |   |  |  |  |  |
|                  |   |           | Disabled | 0  | Read: Disabled |  |  |  |  |  |  |  |  |  |  |   |  |  |  |  |   |  |  |  |  |   |  |  |  |  |  |   |  |  |  |  |   |  |  |  |  |
| D                | RW  | ERROR     |          |    |                | Write '1' to Disable interrupt for ERROR event     |  |  |  |  |  |  |  |  |  |   |  |  |  |  |   |  |  |  |  |   |  |  |  |  |  |   |  |  |  |  |   |  |  |  |  |
|                  |   |           |          |    |                | See <a href="#">EVENTS_ERROR</a>                   |  |  |  |  |  |  |  |  |  |   |  |  |  |  |   |  |  |  |  |   |  |  |  |  |  |   |  |  |  |  |   |  |  |  |  |
|                  |   |           | Clear    | 1  | Disable        |  |  |  |  |  |  |  |  |  |  |   |  |  |  |  |   |  |  |  |  |   |  |  |  |  |  |   |  |  |  |  |   |  |  |  |  |
|                  |   |           | Disabled | 0  | Read: Disabled |  |  |  |  |  |  |  |  |  |  |   |  |  |  |  |   |  |  |  |  |   |  |  |  |  |  |   |  |  |  |  |   |  |  |  |  |
| E                | RW  | BB        |          |    |                | Write '1' to Disable interrupt for BB event        |  |  |  |  |  |  |  |  |  |   |  |  |  |  |   |  |  |  |  |   |  |  |  |  |  |   |  |  |  |  |   |  |  |  |  |
|                  |   |           |          |    |                | See <a href="#">EVENTS_BB</a>                      |  |  |  |  |  |  |  |  |  |   |  |  |  |  |   |  |  |  |  |   |  |  |  |  |  |   |  |  |  |  |   |  |  |  |  |
|                  |   |           | Clear    | 1  | Disable        |  |  |  |  |  |  |  |  |  |  |   |  |  |  |  |   |  |  |  |  |   |  |  |  |  |  |   |  |  |  |  |   |  |  |  |  |
|                  |   |           | Disabled | 0  | Read: Disabled |  |  |  |  |  |  |  |  |  |  |   |  |  |  |  |   |  |  |  |  |   |  |  |  |  |  |   |  |  |  |  |   |  |  |  |  |
| F                | RW  | SUSPENDED |          |    |                | Write '1' to Disable interrupt for SUSPENDED event |  |  |  |  |  |  |  |  |  |   |  |  |  |  |   |  |  |  |  |   |  |  |  |  |  |   |  |  |  |  |   |  |  |  |  |
|                  |   |           |          |    |                | See <a href="#">EVENTS_SUSPENDED</a>               |  |  |  |  |  |  |  |  |  |   |  |  |  |  |   |  |  |  |  |   |  |  |  |  |  |   |  |  |  |  |   |  |  |  |  |
|                  |   |           | Clear    | 1  | Disable        |  |  |  |  |  |  |  |  |  |  |   |  |  |  |  |   |  |  |  |  |   |  |  |  |  |  |   |  |  |  |  |   |  |  |  |  |
|                  |   |           | Disabled | 0  | Read: Disabled |  |  |  |  |  |  |  |  |  |  |   |  |  |  |  |   |  |  |  |  |   |  |  |  |  |  |   |  |  |  |  |   |  |  |  |  |
|                  |   |           |          |    |                | Read: Enabled                                      |  |  |  |  |  |  |  |  |  |   |  |  |  |  |   |  |  |  |  |   |  |  |  |  |  |   |  |  |  |  |   |  |  |  |  |
|                  |   |           | Enabled  | 1  | Read: Enabled  |  |  |  |  |  |  |  |  |  |  |   |  |  |  |  |   |  |  |  |  |   |  |  |  |  |  |   |  |  |  |  |   |  |  |  |  |

## 49.8.4 ERRORSRC

Address offset: 0x4C4

Error source

| Bit number       | 31 30 29 28 27 26 25 24 23 22 21 20 19 18 17 16 15 14 13 12 11 10 9 8 7 6 5 4 3 2 1 0 |         |            |    |                                   |  |  |  |  |  |  |  |  |  |  |  |  |  |  |  |   |  |  |  |  |   |  |  |  |  |   |  |  |  |  |
|------------------|---|---------|------------|----|-----------------------------------|--|--|--|--|--|--|--|--|--|--|--|--|--|--|--|---|--|--|--|--|---|--|--|--|--|---|--|--|--|--|
| Id               |   |         |            |    |                                   |  |  |  |  |  |  |  |  |  |  |  |  |  |  |  | C |  |  |  |  | B |  |  |  |  | A |  |  |  |  |
| Reset 0x00000000 | 0 |         |            |    |                                   |  |  |  |  |  |  |  |  |  |  |  |  |  |  |  |   |  |  |  |  |   |  |  |  |  |   |  |  |  |  |
| Id               | RW  | Field   | Value      | Id | Value                             | Description  |  |  |  |  |  |  |  |  |  |  |  |  |  |  |   |  |  |  |  |   |  |  |  |  |   |  |  |  |  |
| A                | RW  | OVERRUN |            |    |                                   | Overflow error   |  |  |  |  |  |  |  |  |  |  |  |  |  |  |   |  |  |  |  |   |  |  |  |  |   |  |  |  |  |
|                  |   |         |            |    |                                   | A new byte was received before previous byte got read by software from the RXD register. (Previous data is lost) |  |  |  |  |  |  |  |  |  |  |  |  |  |  |   |  |  |  |  |   |  |  |  |  |   |  |  |  |  |
|                  |   |         | NotPresent | 0  | Read: no overrun occurred         |  |  |  |  |  |  |  |  |  |  |  |  |  |  |  |   |  |  |  |  |   |  |  |  |  |   |  |  |  |  |
|                  |   |         | Present    | 1  | Read: overrun occurred            |  |  |  |  |  |  |  |  |  |  |  |  |  |  |  |   |  |  |  |  |   |  |  |  |  |   |  |  |  |  |
| B                | RW  | ANACK   |            |    |                                   | Write: clear error on writing '1'  |  |  |  |  |  |  |  |  |  |  |  |  |  |  |   |  |  |  |  |   |  |  |  |  |   |  |  |  |  |
|                  |   |         | NotPresent | 0  | Read: error not present           |  |  |  |  |  |  |  |  |  |  |  |  |  |  |  |   |  |  |  |  |   |  |  |  |  |   |  |  |  |  |
|                  |   |         | Present    | 1  | Read: error present               |  |  |  |  |  |  |  |  |  |  |  |  |  |  |  |   |  |  |  |  |   |  |  |  |  |   |  |  |  |  |
|                  |   |         | Clear      | 1  | Write: clear error on writing '1' |  |  |  |  |  |  |  |  |  |  |  |  |  |  |  |   |  |  |  |  |   |  |  |  |  |   |  |  |  |  |
| C                | RW  | DNACK   |            |    |                                   | NACK received after sending a data byte (write '1' to clear)   |  |  |  |  |  |  |  |  |  |  |  |  |  |  |   |  |  |  |  |   |  |  |  |  |   |  |  |  |  |
|                  |   |         | NotPresent | 0  | Read: error not present           |  |  |  |  |  |  |  |  |  |  |  |  |  |  |  |   |  |  |  |  |   |  |  |  |  |   |  |  |  |  |



| Bit number       | 31 | 30    | 29       | 28    | 27                                | 26 | 25 | 24 | 23 | 22 | 21 | 20 | 19 | 18 | 17 | 16 | 15 | 14 | 13 | 12 | 11 | 10 | 9 | 8 | 7 | 6 | 5 | 4 | 3 | 2 | 1 | 0 |
|------------------|----|-------|----------|-------|-----------------------------------|----|----|----|----|----|----|----|----|----|----|----|----|----|----|----|----|----|---|---|---|---|---|---|---|---|---|---|
| Id               |    |       |          |       |                                   |    |    |    |    |    |    |    |    |    |    |    |    |    |    |    |    |    |   |   |   |   |   | C | B | A |   |   |
| Reset 0x00000000 | 0  | 0     | 0        | 0     | 0                                 | 0  | 0  | 0  | 0  | 0  | 0  | 0  | 0  | 0  | 0  | 0  | 0  | 0  | 0  | 0  | 0  | 0  | 0 | 0 | 0 | 0 | 0 | 0 | 0 | 0 | 0 | 0 |
| Id               | RW | Field | Value Id | Value | Description                       |    |    |    |    |    |    |    |    |    |    |    |    |    |    |    |    |    |   |   |   |   |   |   |   |   |   |   |
|                  |    |       | Present  | 1     | Read: error present               |    |    |    |    |    |    |    |    |    |    |    |    |    |    |    |    |    |   |   |   |   |   |   |   |   |   |   |
|                  |    |       | Clear    | 1     | Write: clear error on writing '1' |    |    |    |    |    |    |    |    |    |    |    |    |    |    |    |    |    |   |   |   |   |   |   |   |   |   |   |

### 49.8.5 ENABLE

Address offset: 0x500

Enable TWI

| Bit number       | 31 | 30     | 29       | 28    | 27                    | 26 | 25 | 24 | 23 | 22 | 21 | 20 | 19 | 18 | 17 | 16 | 15 | 14 | 13 | 12 | 11 | 10 | 9 | 8 | 7 | 6 | 5 | 4 | 3 | 2 | 1 | 0 |
|------------------|----|--------|----------|-------|-----------------------|----|----|----|----|----|----|----|----|----|----|----|----|----|----|----|----|----|---|---|---|---|---|---|---|---|---|---|
| Id               |    |        |          |       |                       |    |    |    |    |    |    |    |    |    |    |    |    |    |    |    |    |    |   |   |   |   |   | A | A | A | A |   |
| Reset 0x00000000 | 0  | 0      | 0        | 0     | 0                     | 0  | 0  | 0  | 0  | 0  | 0  | 0  | 0  | 0  | 0  | 0  | 0  | 0  | 0  | 0  | 0  | 0  | 0 | 0 | 0 | 0 | 0 | 0 | 0 | 0 | 0 | 0 |
| Id               | RW | Field  | Value Id | Value | Description           |    |    |    |    |    |    |    |    |    |    |    |    |    |    |    |    |    |   |   |   |   |   |   |   |   |   |   |
| A                | RW | ENABLE |          |       | Enable or disable TWI |    |    |    |    |    |    |    |    |    |    |    |    |    |    |    |    |    |   |   |   |   |   |   |   |   |   |   |
|                  |    |        | Disabled | 0     | Disable TWI           |    |    |    |    |    |    |    |    |    |    |    |    |    |    |    |    |    |   |   |   |   |   |   |   |   |   |   |
|                  |    |        | Enabled  | 5     | Enable TWI            |    |    |    |    |    |    |    |    |    |    |    |    |    |    |    |    |    |   |   |   |   |   |   |   |   |   |   |

### 49.8.6 PSELSCCL

Address offset: 0x508

Pin select for SCL

| Bit number       | 31 | 30       | 29           | 28         | 27  | 26 | 25 | 24 | 23 | 22 | 21 | 20 | 19 | 18 | 17 | 16 | 15 | 14 | 13 | 12 | 11 | 10 | 9 | 8 | 7 | 6 | 5 | 4 | 3 | 2 | 1 | 0 |
|------------------|----|----------|--------------|------------|---|----|----|----|----|----|----|----|----|----|----|----|----|----|----|----|----|----|---|---|---|---|---|---|---|---|---|---|
| Id               | A  | A        | A            | A          | A   | A  | A  | A  | A  | A  | A  | A  | A  | A  | A  | A  | A  | A  | A  | A  | A  | A  | A | A | A | A | A | A | A | A | A | A |
| Reset 0xFFFFFFFF | 1  | 1        | 1            | 1          | 1   | 1  | 1  | 1  | 1  | 1  | 1  | 1  | 1  | 1  | 1  | 1  | 1  | 1  | 1  | 1  | 1  | 1  | 1 | 1 | 1 | 1 | 1 | 1 | 1 | 1 | 1 | 1 |
| Id               | RW | Field    | Value Id     | Value      | Description                                 |    |    |    |    |    |    |    |    |    |    |    |    |    |    |    |    |    |   |   |   |   |   |   |   |   |   |   |
| A                | RW | PSELSCCL |              | [0..31]    | Pin number configuration for TWI SCL signal |    |    |    |    |    |    |    |    |    |    |    |    |    |    |    |    |    |   |   |   |   |   |   |   |   |   |   |
|                  |    |          | Disconnected | 0xFFFFFFFF | Disconnect                                  |    |    |    |    |    |    |    |    |    |    |    |    |    |    |    |    |    |   |   |   |   |   |   |   |   |   |   |

### 49.8.7 PSELSDA

Address offset: 0x50C

Pin select for SDA

| Bit number       | 31 | 30      | 29           | 28         | 27  | 26 | 25 | 24 | 23 | 22 | 21 | 20 | 19 | 18 | 17 | 16 | 15 | 14 | 13 | 12 | 11 | 10 | 9 | 8 | 7 | 6 | 5 | 4 | 3 | 2 | 1 | 0 |
|------------------|----|---------|--------------|------------|---|----|----|----|----|----|----|----|----|----|----|----|----|----|----|----|----|----|---|---|---|---|---|---|---|---|---|---|
| Id               | A  | A       | A            | A          | A   | A  | A  | A  | A  | A  | A  | A  | A  | A  | A  | A  | A  | A  | A  | A  | A  | A  | A | A | A | A | A | A | A | A | A | A |
| Reset 0xFFFFFFFF | 1  | 1       | 1            | 1          | 1   | 1  | 1  | 1  | 1  | 1  | 1  | 1  | 1  | 1  | 1  | 1  | 1  | 1  | 1  | 1  | 1  | 1  | 1 | 1 | 1 | 1 | 1 | 1 | 1 | 1 | 1 | 1 |
| Id               | RW | Field   | Value Id     | Value      | Description                                 |    |    |    |    |    |    |    |    |    |    |    |    |    |    |    |    |    |   |   |   |   |   |   |   |   |   |   |
| A                | RW | PSELSDA |              | [0..31]    | Pin number configuration for TWI SDA signal |    |    |    |    |    |    |    |    |    |    |    |    |    |    |    |    |    |   |   |   |   |   |   |   |   |   |   |
|                  |    |         | Disconnected | 0xFFFFFFFF | Disconnect                                  |    |    |    |    |    |    |    |    |    |    |    |    |    |    |    |    |    |   |   |   |   |   |   |   |   |   |   |

### 49.8.8 RXD

Address offset: 0x518

RXD register

| Bit number       | 31 | 30    | 29       | 28    | 27           | 26 | 25 | 24 | 23 | 22 | 21 | 20 | 19 | 18 | 17 | 16 | 15 | 14 | 13 | 12 | 11 | 10 | 9 | 8 | 7 | 6 | 5 | 4 | 3 | 2 | 1 | 0 |   |
|------------------|----|-------|----------|-------|--------------|----|----|----|----|----|----|----|----|----|----|----|----|----|----|----|----|----|---|---|---|---|---|---|---|---|---|---|---|
| Id               |    |       |          |       |              |    |    |    |    |    |    |    |    |    |    |    |    |    |    |    |    |    |   |   |   |   |   | A | A | A | A | A | A |
| Reset 0x00000000 | 0  | 0     | 0        | 0     | 0            | 0  | 0  | 0  | 0  | 0  | 0  | 0  | 0  | 0  | 0  | 0  | 0  | 0  | 0  | 0  | 0  | 0  | 0 | 0 | 0 | 0 | 0 | 0 | 0 | 0 | 0 |   |   |
| Id               | RW | Field | Value Id | Value | Description  |    |    |    |    |    |    |    |    |    |    |    |    |    |    |    |    |    |   |   |   |   |   |   |   |   |   |   |   |
| A                | R  | RXD   |          |       | RXD register |    |    |    |    |    |    |    |    |    |    |    |    |    |    |    |    |    |   |   |   |   |   |   |   |   |   |   |   |

### 49.8.9 TXD

Address offset: 0x51C

TXD register

|                  |           |              |                 |              |                    |    |    |    |    |    |    |    |    |    |    |    |    |    |    |    |    |    |   |   |   |   |   |   |   |   |   |   |   |   |   |   |   |   |   |   |   |   |   |   |   |   |   |   |   |   |   |   |   |   |   |   |
|------------------|-----------|--------------|-----------------|--------------|--------------------|----|----|----|----|----|----|----|----|----|----|----|----|----|----|----|----|----|---|---|---|---|---|---|---|---|---|---|---|---|---|---|---|---|---|---|---|---|---|---|---|---|---|---|---|---|---|---|---|---|---|---|
| Bit number       | 31        | 30           | 29              | 28           | 27                 | 26 | 25 | 24 | 23 | 22 | 21 | 20 | 19 | 18 | 17 | 16 | 15 | 14 | 13 | 12 | 11 | 10 | 9 | 8 | 7 | 6 | 5 | 4 | 3 | 2 | 1 | 0 |   |   |   |   |   |   |   |   |   |   |   |   |   |   |   |   |   |   |   |   |   |   |   |   |
| Id               |           |              |                 |              |                    |    |    |    |    |    |    |    |    |    |    |    |    |    |    |    |    |    |   |   | A | A | A | A | A | A | A | A | A | A | A | A | A | A | A | A | A | A | A | A | A | A | A | A | A | A | A | A | A | A | A | A |
| Reset 0x00000000 | 0         | 0            | 0               | 0            | 0                  | 0  | 0  | 0  | 0  | 0  | 0  | 0  | 0  | 0  | 0  | 0  | 0  | 0  | 0  | 0  | 0  | 0  | 0 | 0 | 0 | 0 | 0 | 0 | 0 | 0 | 0 | 0 | 0 | 0 |   |   |   |   |   |   |   |   |   |   |   |   |   |   |   |   |   |   |   |   |   |   |
| <b>Id</b>        | <b>RW</b> | <b>Field</b> | <b>Value Id</b> | <b>Value</b> | <b>Description</b> |    |    |    |    |    |    |    |    |    |    |    |    |    |    |    |    |    |   |   |   |   |   |   |   |   |   |   |   |   |   |   |   |   |   |   |   |   |   |   |   |   |   |   |   |   |   |   |   |   |   |   |
| A                | RW        | TXD          |                 |              | TXD register       |    |    |    |    |    |    |    |    |    |    |    |    |    |    |    |    |    |   |   |   |   |   |   |   |   |   |   |   |   |   |   |   |   |   |   |   |   |   |   |   |   |   |   |   |   |   |   |   |   |   |   |

### 49.8.10 FREQUENCY

Address offset: 0x524

TWI frequency

|                  |           |              |                 |              |                                     |    |    |    |    |    |    |    |    |    |    |    |    |    |    |    |    |    |   |   |   |   |   |   |   |   |   |   |   |
|------------------|-----------|--------------|-----------------|--------------|-------------------------------------|----|----|----|----|----|----|----|----|----|----|----|----|----|----|----|----|----|---|---|---|---|---|---|---|---|---|---|---|
| Bit number       | 31        | 30           | 29              | 28           | 27                                  | 26 | 25 | 24 | 23 | 22 | 21 | 20 | 19 | 18 | 17 | 16 | 15 | 14 | 13 | 12 | 11 | 10 | 9 | 8 | 7 | 6 | 5 | 4 | 3 | 2 | 1 | 0 |   |
| Id               | A         | A            | A               | A            | A                                   | A  | A  | A  | A  | A  | A  | A  | A  | A  | A  | A  | A  | A  | A  | A  | A  | A  | A | A | A | A | A | A | A | A | A | A | A |
| Reset 0x04000000 | 0         | 0            | 0               | 0            | 0                                   | 1  | 0  | 0  | 0  | 0  | 0  | 0  | 0  | 0  | 0  | 0  | 0  | 0  | 0  | 0  | 0  | 0  | 0 | 0 | 0 | 0 | 0 | 0 | 0 | 0 | 0 | 0 | 0 |
| <b>Id</b>        | <b>RW</b> | <b>Field</b> | <b>Value Id</b> | <b>Value</b> | <b>Description</b>                  |    |    |    |    |    |    |    |    |    |    |    |    |    |    |    |    |    |   |   |   |   |   |   |   |   |   |   |   |
| A                | RW        | FREQUENCY    |                 |              | TWI master clock frequency          |    |    |    |    |    |    |    |    |    |    |    |    |    |    |    |    |    |   |   |   |   |   |   |   |   |   |   |   |
|                  |           |              | K100            | 0x01980000   | 100 kbps                            |    |    |    |    |    |    |    |    |    |    |    |    |    |    |    |    |    |   |   |   |   |   |   |   |   |   |   |   |
|                  |           |              | K250            | 0x04000000   | 250 kbps                            |    |    |    |    |    |    |    |    |    |    |    |    |    |    |    |    |    |   |   |   |   |   |   |   |   |   |   |   |
|                  |           |              | K400            | 0x06680000   | 400 kbps (actual rate 410.256 kbps) |    |    |    |    |    |    |    |    |    |    |    |    |    |    |    |    |    |   |   |   |   |   |   |   |   |   |   |   |

### 49.8.11 ADDRESS

Address offset: 0x588

Address used in the TWI transfer

|                  |           |              |                 |              |                                  |    |    |    |    |    |    |    |    |    |    |    |    |    |    |    |    |    |   |   |   |   |   |   |   |   |   |   |   |   |   |   |   |   |   |   |   |   |   |   |   |   |   |   |   |   |   |   |   |   |
|------------------|-----------|--------------|-----------------|--------------|----------------------------------|----|----|----|----|----|----|----|----|----|----|----|----|----|----|----|----|----|---|---|---|---|---|---|---|---|---|---|---|---|---|---|---|---|---|---|---|---|---|---|---|---|---|---|---|---|---|---|---|---|
| Bit number       | 31        | 30           | 29              | 28           | 27                               | 26 | 25 | 24 | 23 | 22 | 21 | 20 | 19 | 18 | 17 | 16 | 15 | 14 | 13 | 12 | 11 | 10 | 9 | 8 | 7 | 6 | 5 | 4 | 3 | 2 | 1 | 0 |   |   |   |   |   |   |   |   |   |   |   |   |   |   |   |   |   |   |   |   |   |   |
| Id               |           |              |                 |              |                                  |    |    |    |    |    |    |    |    |    |    |    |    |    |    |    |    |    |   |   | A | A | A | A | A | A | A | A | A | A | A | A | A | A | A | A | A | A | A | A | A | A | A | A | A | A | A | A | A | A |
| Reset 0x00000000 | 0         | 0            | 0               | 0            | 0                                | 0  | 0  | 0  | 0  | 0  | 0  | 0  | 0  | 0  | 0  | 0  | 0  | 0  | 0  | 0  | 0  | 0  | 0 | 0 | 0 | 0 | 0 | 0 | 0 | 0 | 0 | 0 | 0 |   |   |   |   |   |   |   |   |   |   |   |   |   |   |   |   |   |   |   |   |   |
| <b>Id</b>        | <b>RW</b> | <b>Field</b> | <b>Value Id</b> | <b>Value</b> | <b>Description</b>               |    |    |    |    |    |    |    |    |    |    |    |    |    |    |    |    |    |   |   |   |   |   |   |   |   |   |   |   |   |   |   |   |   |   |   |   |   |   |   |   |   |   |   |   |   |   |   |   |   |
| A                | RW        | ADDRESS      |                 |              | Address used in the TWI transfer |    |    |    |    |    |    |    |    |    |    |    |    |    |    |    |    |    |   |   |   |   |   |   |   |   |   |   |   |   |   |   |   |   |   |   |   |   |   |   |   |   |   |   |   |   |   |   |   |   |

## 49.9 Electrical specification

### 49.9.1 TWI interface electrical specifications

| Symbol             | Description   | Min. | Typ.                   | Max.             | Units   |
|--------------------|---|------|------------------------|------------------|---------|
| $f_{TWI}$          | Bit rates for TWI <sup>41</sup>   | 100  |                        | 400              | kbps    |
| $I_{TWI,100kbps}$  | Run current for TWI, 100 kbps   |      | 50                     |                  | $\mu$ A |
| $I_{TWI,400kbps}$  | Run current for TWI, 400 kbps   |      | 50                     |                  | $\mu$ A |
| $t_{TWI,START,LP}$ | Time from STARTRX/STARTTX task to transmission started, Low power mode        |      | $t_{TWI,START,C}$<br>+ | $t_{START,HFIN}$ | $\mu$ s |
| $t_{TWI,START,CL}$ | Time from STARTRX/STARTTX task to transmission started, Constant latency mode |      | 1.5                    |                  | $\mu$ s |

### 49.9.2 Two Wire Interface (TWI) timing specifications

| Symbol                   | Description   | Min.  | Typ. | Max. | Units |
|--------------------------|---|-------|------|------|-------|
| $f_{TWI,SCL,100kbps}$    | SCL clock frequency, 100 kbps   |       | 100  |      | kHz   |
| $f_{TWI,SCL,250kbps}$    | SCL clock frequency, 250 kbps   |       | 250  |      | kHz   |
| $f_{TWI,SCL,400kbps}$    | SCL clock frequency, 400 kbps   |       | 400  |      | kHz   |
| $t_{TWI,SU,DAT}$         | Data setup time before positive edge on SCL – all modes               | 300   |      |      | ns    |
| $t_{TWI,HD,DAT}$         | Data hold time after negative edge on SCL – all modes                 | 500   |      |      | ns    |
| $t_{TWI,HD,STA,100kbps}$ | TWI master hold time for START and repeated START condition, 100 kbps | 10000 |      |      | ns    |

<sup>41</sup> Higher bit rates or stronger pull-ups may require GPIOs to be set as High Drive, see GPIO chapter for more details.

| Symbol                    | Description   | Min. | Typ. | Max. | Units |
|---------------------------|---|------|------|------|-------|
| $t_{TWI,HD\_STA,250kbps}$ | TWI master hold time for START and repeated START condition, 250kbps  | 4000 |      |      | ns    |
| $t_{TWI,HD\_STA,400kbps}$ | TWI master hold time for START and repeated START condition, 400 kbps | 2500 |      |      | ns    |
| $t_{TWI,SU\_STO,100kbps}$ | TWI master setup time from SCL high to STOP condition, 100 kbps       | 5000 |      |      | ns    |
| $t_{TWI,SU\_STO,250kbps}$ | TWI master setup time from SCL high to STOP condition, 250 kbps       | 2000 |      |      | ns    |
| $t_{TWI,SU\_STO,400kbps}$ | TWI master setup time from SCL high to STOP condition, 400 kbps       | 1250 |      |      | ns    |
| $t_{TWI,BUF,100kbps}$     | TWI master bus free time between STOP and START conditions, 100 kbps  | 5800 |      |      | ns    |
| $t_{TWI,BUF,250kbps}$     | TWI master bus free time between STOP and START conditions, 250 kbps  | 2700 |      |      | ns    |
| $t_{TWI,BUF,400kbps}$     | TWI master bus free time between STOP and START conditions, 400 kbps  | 2100 |      |      | ns    |

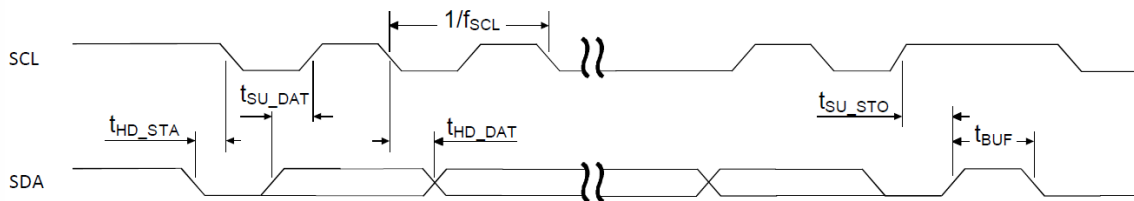


Figure 159: TWI timing diagram, 1 byte transaction

# 50 UART — Universal asynchronous receiver/transmitter

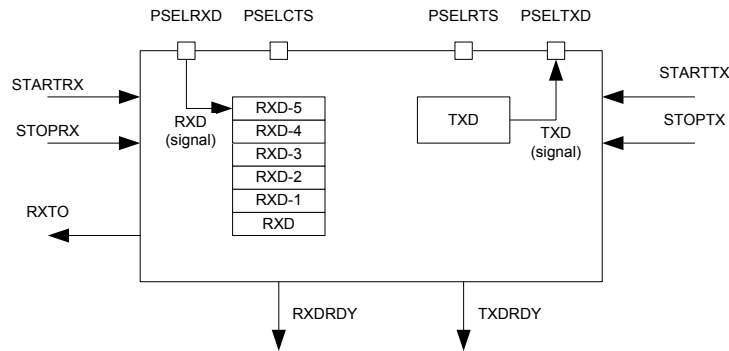


Figure 160: UART configuration

## 50.1 Functional description

Listed here are the main features of UART.

The UART implements support for the following features:

- Full-duplex operation
- Automatic flow control
- Parity checking and generation for the 9<sup>th</sup> data bit

As illustrated in [Figure 160: UART configuration](#) on page 532, the UART uses the TXD and RXD registers directly to transmit and receive data. The UART uses one stop bit.

## 50.2 Pin configuration

The different signals RXD, CTS (Clear To Send, active low), RTS (Request To Send, active low), and TXD associated with the UART are mapped to physical pins according to the configuration specified in the PSELRXD, PSELCTS, PSELRTS, and PSELTXD registers respectively.

If a value of 0xFFFFFFFF is specified in any of these registers, the associated UART signal will not be connected to any physical pin. The PSELRXD, PSELCTS, PSELRTS, and PSELTXD registers and their configurations are only used as long as the UART is enabled, and retained only for the duration the device is in ON mode. PSELRXD, PSELCTS, PSELRTS and PSELTXD must only be configured when the UART is disabled.

To secure correct signal levels on the pins by the UART when the system is in OFF mode, the pins must be configured in the GPIO peripheral as described in [Pin configuration](#) on page 532.

Only one peripheral can be assigned to drive a particular GPIO pin at a time. Failing to do so may result in unpredictable behavior.

Table 127: GPIO configuration

| UART pin | Direction | Output value   |
|----------|-----------|----------------|
| RXD      | Input     | Not applicable |
| CTS      | Input     | Not applicable |
| RTS      | Output    | 1              |
| TXD      | Output    | 1              |

### 50.3 Shared resources

The UART shares registers and other resources with other peripherals that have the same ID as the UART.

Therefore, you must disable all peripherals that have the same ID as the UART before the UART can be configured and used. Disabling a peripheral that has the same ID as the UART will not reset any of the registers that are shared with the UART. It is therefore important to configure all relevant UART registers explicitly to ensure that it operates correctly.

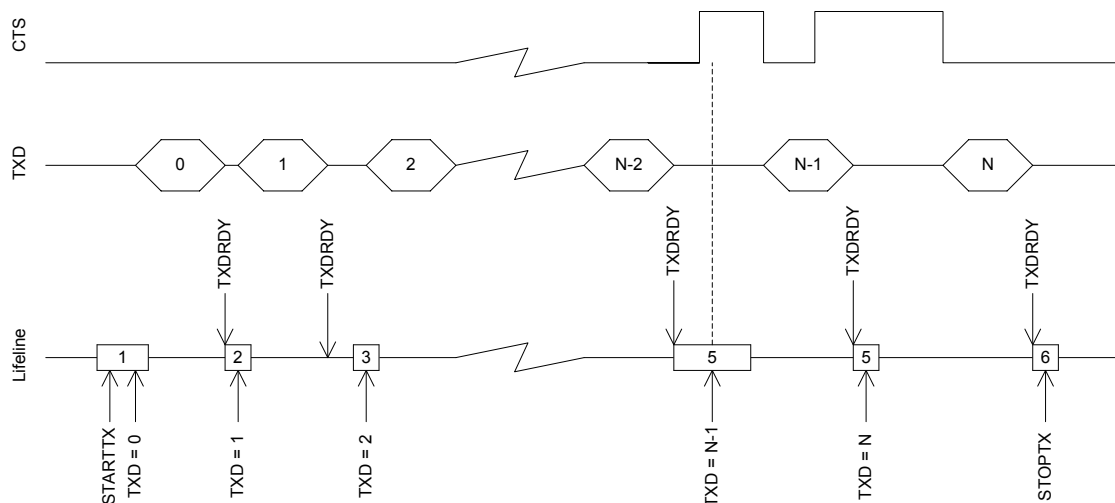
See the Instantiation table in [Instantiation](#) on page 24 for details on peripherals and their IDs.

### 50.4 Transmission

A UART transmission sequence is started by triggering the STARTTX task.

Bytes are transmitted by writing to the TXD register. When a byte has been successfully transmitted the UART will generate a TXDRDY event after which a new byte can be written to the TXD register. A UART transmission sequence is stopped immediately by triggering the STOPTX task.

If flow control is enabled a transmission will be automatically suspended when CTS is deactivated and resumed when CTS is activated again, as illustrated in [Figure 161: UART transmission](#) on page 533. A byte that is in transmission when CTS is deactivated will be fully transmitted before the transmission is suspended. For more information, see [Suspending the UART](#) on page 534.



**Figure 161: UART transmission**

### 50.5 Reception

A UART reception sequence is started by triggering the STARTRX task.

The UART receiver chain implements a FIFO capable of storing six incoming RXD bytes before data is overwritten. Bytes are extracted from this FIFO by reading the RXD register. When a byte is extracted from the FIFO a new byte pending in the FIFO will be moved to the RXD register. The UART will generate an RXDRDY event every time a new byte is moved to the RXD register.

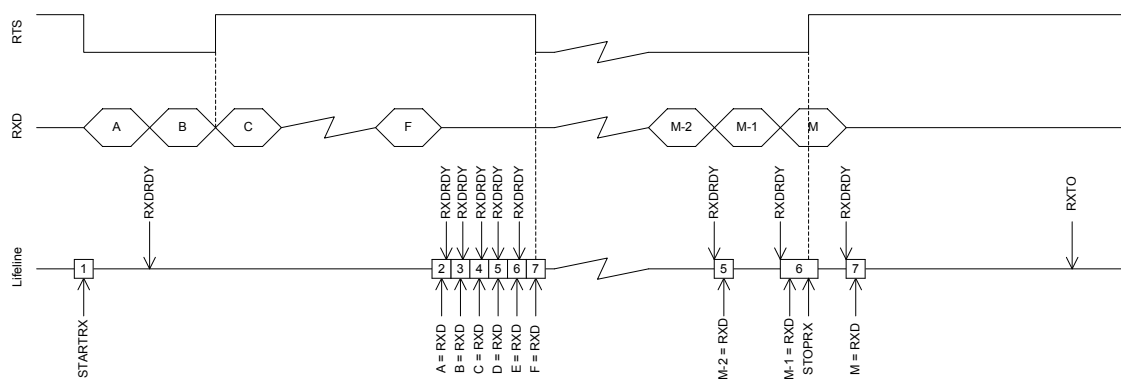
When flow control is enabled, the UART will deactivate the RTS signal when there is only space for four more bytes in the receiver FIFO. The counterpart transmitter is therefore able to send up to four bytes after the RTS signal is deactivated before data is being overwritten. To prevent overwriting data in the FIFO, the counterpart UART transmitter must therefore make sure to stop transmitting data within four bytes after the RTS line is deactivated.

The RTS signal will first be activated again when the FIFO has been emptied, that is, when all bytes in the FIFO have been read by the CPU, see [Figure 162: UART reception](#) on page 534.

The RTS signal will also be deactivated when the receiver is stopped through the STOPRX task as illustrated in [Figure 162: UART reception](#) on page 534. The UART is able to receive four to five additional bytes if they are sent in succession immediately after the RTS signal has been deactivated. This is possible because the UART is, even after the STOPRX task is triggered, able to receive bytes for an extended period of time dependent on the configured baud rate. The UART will generate a receiver timeout event (RXTO) when this period has elapsed.

To prevent loss of incoming data the RXD register must only be read one time following every RXDRDY event.

To secure that the CPU can detect all incoming RXDRDY events through the RXDRDY event register, the RXDRDY event register must be cleared before the RXD register is read. The reason for this is that the UART is allowed to write a new byte to the RXD register, and therefore can also generate a new event, immediately after the RXD register is read (emptied) by the CPU.



**Figure 162: UART reception**

As indicated in occurrence 2 in the figure, the RXDRDY event associated with byte B is generated first after byte A has been extracted from RXD.

## 50.6 Suspending the UART

The UART can be suspended by triggering the SUSPEND task.

SUSPEND will affect both the UART receiver and the UART transmitter, i.e. the transmitter will stop transmitting and the receiver will stop receiving. UART transmission and reception can be resumed, after being suspended, by triggering STARTTX and STARTRX respectively.

Following a SUSPEND task, an ongoing TXD byte transmission will be completed before the UART is suspended.

When the SUSPEND task is triggered, the UART receiver will behave in the same way as it does when the STOPRX task is triggered.

## 50.7 Error conditions

An ERROR event, in the form of a framing error, will be generated if a valid stop bit is not detected in a frame. Another ERROR event, in the form of a break condition, will be generated if the RXD line is held active low for longer than the length of a data frame. Effectively, a framing error is always generated before a break condition occurs.

## 50.8 Using the UART without flow control

If flow control is not enabled, the interface will behave as if the CTS and RTS lines are kept active all the time.

## 50.9 Parity configuration

When parity is enabled, the parity will be generated automatically from the even parity of TXD and RXD for transmission and reception respectively.

## 50.10 Registers

**Table 128: Instances**

| Base address | Peripheral | Instance | Description                                 | Configuration |
|--------------|------------|----------|---|---------------|
| 0x40002000   | UART       | UART0    | Universal Asynchronous Receiver/Transmitter | Deprecated    |

**Table 129: Register Overview**

| Register      | Offset | Description                                       |
|---------------|--------|---|
| TASKS_STARTRX | 0x000  | Start UART receiver                               |
| TASKS_STOPRX  | 0x004  | Stop UART receiver                                |
| TASKS_STARTTX | 0x008  | Start UART transmitter                            |
| TASKS_STOPTX  | 0x00C  | Stop UART transmitter                             |
| TASKS_SUSPEND | 0x01C  | Suspend UART                                      |
| EVENTS_CTS    | 0x100  | CTS is activated (set low). Clear To Send.        |
| EVENTS_NCTS   | 0x104  | CTS is deactivated (set high). Not Clear To Send. |
| EVENTS_RXDRDY | 0x108  | Data received in RXD                              |
| EVENTS_TXDRDY | 0x11C  | Data sent from TXD                                |
| EVENTS_ERROR  | 0x124  | Error detected                                    |
| EVENTS_RXTO   | 0x144  | Receiver timeout                                  |
| SHORTS        | 0x200  | Shortcut register                                 |
| INTENSET      | 0x304  | Enable interrupt                                  |
| INTENCLR      | 0x308  | Disable interrupt                                 |
| ERRORSRC      | 0x480  | Error source                                      |
| ENABLE        | 0x500  | Enable UART                                       |
| PSELRTS       | 0x508  | Pin select for RTS                                |
| PSELTXD       | 0x50C  | Pin select for TXD                                |
| PSELCTS       | 0x510  | Pin select for CTS                                |
| PSELRXD       | 0x514  | Pin select for RXD                                |
| RXD           | 0x518  | RXD register                                      |
| TXD           | 0x51C  | TXD register                                      |
| BAUDRATE      | 0x524  | Baud rate   |
| CONFIG        | 0x56C  | Configuration of parity and hardware flow control |

### 50.10.1 SHORTS

Address offset: 0x200

Shortcut register

| Bit number       | 31 30 29 28 27 26 25 24 23 22 21 20 19 18 17 16 15 14 13 12 11 10 9 8 7 6 5 4 3 2 1 0 |             |          |       |   |  |  |  |  |  |  |  |  |  |  |  |  |  |  |  |  |  |  |  |  |  |  |  |   |   |   |
|------------------|---|-------------|----------|-------|---|--|--|--|--|--|--|--|--|--|--|--|--|--|--|--|--|--|--|--|--|--|--|--|---|---|---|
| Id               |   |             |          |       |   |  |  |  |  |  |  |  |  |  |  |  |  |  |  |  |  |  |  |  |  |  |  |  | B | A | 0 |
| Reset 0x00000000 | 0                     |             |          |       |   |  |  |  |  |  |  |  |  |  |  |  |  |  |  |  |  |  |  |  |  |  |  |  |   |   |   |
| Id               | RW  | Field       | Value Id | Value | Description                                 |  |  |  |  |  |  |  |  |  |  |  |  |  |  |  |  |  |  |  |  |  |  |  |   |   |   |
| A                | RW  | CTS_STARTRX |          |       | Shortcut between CTS event and STARTRX task |  |  |  |  |  |  |  |  |  |  |  |  |  |  |  |  |  |  |  |  |  |  |  |   |   |   |

| Bit number       | 31 30 29 28 27 26 25 24 23 22 21 20 19 18 17 16 15 14 13 12 11 10 9 8 7 6 5 4 3 2 1 0 |             |          |       |   |  |  |  |  |  |  |  |  |  |  |  |  |  |  |  |  |  |  |  |  |  |  |  |  |   |   |   |
|------------------|---|-------------|----------|-------|---|--|--|--|--|--|--|--|--|--|--|--|--|--|--|--|--|--|--|--|--|--|--|--|--|---|---|---|
| Id               |   |             |          |       |   |  |  |  |  |  |  |  |  |  |  |  |  |  |  |  |  |  |  |  |  |  |  |  |  | B | A | 0 |
| Reset 0x00000000 | 0               |             |          |       |   |  |  |  |  |  |  |  |  |  |  |  |  |  |  |  |  |  |  |  |  |  |  |  |  |   |   |   |
| Id               | RW  | Field       | Value Id | Value | Description                                 |  |  |  |  |  |  |  |  |  |  |  |  |  |  |  |  |  |  |  |  |  |  |  |  |   |   |   |
|                  |   |             | Disabled | 0     | Disable shortcut                            |  |  |  |  |  |  |  |  |  |  |  |  |  |  |  |  |  |  |  |  |  |  |  |  |   |   |   |
|                  |   |             | Enabled  | 1     | Enable shortcut                             |  |  |  |  |  |  |  |  |  |  |  |  |  |  |  |  |  |  |  |  |  |  |  |  |   |   |   |
| B                | RW  | NCTS_STOPRX |          |       | Shortcut between NCTS event and STOPRX task |  |  |  |  |  |  |  |  |  |  |  |  |  |  |  |  |  |  |  |  |  |  |  |  |   |   |   |
|                  |   |             | Disabled | 0     | Disable shortcut                            |  |  |  |  |  |  |  |  |  |  |  |  |  |  |  |  |  |  |  |  |  |  |  |  |   |   |   |
|                  |   |             | Enabled  | 1     | Enable shortcut                             |  |  |  |  |  |  |  |  |  |  |  |  |  |  |  |  |  |  |  |  |  |  |  |  |   |   |   |

### 50.10.2 INTENSET

Address offset: 0x304

Enable interrupt

| Bit number       | 31 30 29 28 27 26 25 24 23 22 21 20 19 18 17 16 15 14 13 12 11 10 9 8 7 6 5 4 3 2 1 0 |        |          |       |  |  |  |  |  |  |  |  |  |  |  |  |  |  |  |  |  |  |  |  |  |  |  |  |  |   |   |   |   |   |   |
|------------------|---|--------|----------|-------|--|--|--|--|--|--|--|--|--|--|--|--|--|--|--|--|--|--|--|--|--|--|--|--|--|---|---|---|---|---|---|
| Id               |   |        |          |       |  |  |  |  |  |  |  |  |  |  |  |  |  |  |  |  |  |  |  |  |  |  |  |  |  | F | E | D | C | B | A |
| Reset 0x00000000 | 0               |        |          |       |  |  |  |  |  |  |  |  |  |  |  |  |  |  |  |  |  |  |  |  |  |  |  |  |  |   |   |   |   |   |   |
| Id               | RW  | Field  | Value Id | Value | Description                                    |  |  |  |  |  |  |  |  |  |  |  |  |  |  |  |  |  |  |  |  |  |  |  |  |   |   |   |   |   |   |
| A                | RW  | CTS    |          |       | Write '1' to Enable interrupt for CTS event    |  |  |  |  |  |  |  |  |  |  |  |  |  |  |  |  |  |  |  |  |  |  |  |  |   |   |   |   |   |   |
|                  |   |        | Set      | 1     | Enable   |  |  |  |  |  |  |  |  |  |  |  |  |  |  |  |  |  |  |  |  |  |  |  |  |   |   |   |   |   |   |
|                  |   |        | Disabled | 0     | Read: Disabled                                 |  |  |  |  |  |  |  |  |  |  |  |  |  |  |  |  |  |  |  |  |  |  |  |  |   |   |   |   |   |   |
|                  |   |        | Enabled  | 1     | Read: Enabled                                  |  |  |  |  |  |  |  |  |  |  |  |  |  |  |  |  |  |  |  |  |  |  |  |  |   |   |   |   |   |   |
| B                | RW  | NCTS   |          |       | Write '1' to Enable interrupt for NCTS event   |  |  |  |  |  |  |  |  |  |  |  |  |  |  |  |  |  |  |  |  |  |  |  |  |   |   |   |   |   |   |
|                  |   |        | Set      | 1     | Enable   |  |  |  |  |  |  |  |  |  |  |  |  |  |  |  |  |  |  |  |  |  |  |  |  |   |   |   |   |   |   |
|                  |   |        | Disabled | 0     | Read: Disabled                                 |  |  |  |  |  |  |  |  |  |  |  |  |  |  |  |  |  |  |  |  |  |  |  |  |   |   |   |   |   |   |
|                  |   |        | Enabled  | 1     | Read: Enabled                                  |  |  |  |  |  |  |  |  |  |  |  |  |  |  |  |  |  |  |  |  |  |  |  |  |   |   |   |   |   |   |
| C                | RW  | RXDRDY |          |       | Write '1' to Enable interrupt for RXDRDY event |  |  |  |  |  |  |  |  |  |  |  |  |  |  |  |  |  |  |  |  |  |  |  |  |   |   |   |   |   |   |
|                  |   |        | Set      | 1     | Enable   |  |  |  |  |  |  |  |  |  |  |  |  |  |  |  |  |  |  |  |  |  |  |  |  |   |   |   |   |   |   |
|                  |   |        | Disabled | 0     | Read: Disabled                                 |  |  |  |  |  |  |  |  |  |  |  |  |  |  |  |  |  |  |  |  |  |  |  |  |   |   |   |   |   |   |
|                  |   |        | Enabled  | 1     | Read: Enabled                                  |  |  |  |  |  |  |  |  |  |  |  |  |  |  |  |  |  |  |  |  |  |  |  |  |   |   |   |   |   |   |
| D                | RW  | TXDRDY |          |       | Write '1' to Enable interrupt for TXDRDY event |  |  |  |  |  |  |  |  |  |  |  |  |  |  |  |  |  |  |  |  |  |  |  |  |   |   |   |   |   |   |
|                  |   |        | Set      | 1     | Enable   |  |  |  |  |  |  |  |  |  |  |  |  |  |  |  |  |  |  |  |  |  |  |  |  |   |   |   |   |   |   |
|                  |   |        | Disabled | 0     | Read: Disabled                                 |  |  |  |  |  |  |  |  |  |  |  |  |  |  |  |  |  |  |  |  |  |  |  |  |   |   |   |   |   |   |
|                  |   |        | Enabled  | 1     | Read: Enabled                                  |  |  |  |  |  |  |  |  |  |  |  |  |  |  |  |  |  |  |  |  |  |  |  |  |   |   |   |   |   |   |
| E                | RW  | ERROR  |          |       | Write '1' to Enable interrupt for ERROR event  |  |  |  |  |  |  |  |  |  |  |  |  |  |  |  |  |  |  |  |  |  |  |  |  |   |   |   |   |   |   |
|                  |   |        | Set      | 1     | Enable   |  |  |  |  |  |  |  |  |  |  |  |  |  |  |  |  |  |  |  |  |  |  |  |  |   |   |   |   |   |   |
|                  |   |        | Disabled | 0     | Read: Disabled                                 |  |  |  |  |  |  |  |  |  |  |  |  |  |  |  |  |  |  |  |  |  |  |  |  |   |   |   |   |   |   |
|                  |   |        | Enabled  | 1     | Read: Enabled                                  |  |  |  |  |  |  |  |  |  |  |  |  |  |  |  |  |  |  |  |  |  |  |  |  |   |   |   |   |   |   |
| F                | RW  | RXTO   |          |       | Write '1' to Enable interrupt for RXTO event   |  |  |  |  |  |  |  |  |  |  |  |  |  |  |  |  |  |  |  |  |  |  |  |  |   |   |   |   |   |   |
|                  |   |        | Set      | 1     | Enable   |  |  |  |  |  |  |  |  |  |  |  |  |  |  |  |  |  |  |  |  |  |  |  |  |   |   |   |   |   |   |
|                  |   |        | Disabled | 0     | Read: Disabled                                 |  |  |  |  |  |  |  |  |  |  |  |  |  |  |  |  |  |  |  |  |  |  |  |  |   |   |   |   |   |   |
|                  |   |        | Enabled  | 1     | Read: Enabled                                  |  |  |  |  |  |  |  |  |  |  |  |  |  |  |  |  |  |  |  |  |  |  |  |  |   |   |   |   |   |   |

### 50.10.3 INTENCLR

Address offset: 0x308

Disable interrupt



| Bit number       | 31 30 29 28 27 26 25 24 23 22 21 20 19 18 17 16 15 14 13 12 11 10 9 8 7 6 5 4 3 2 1 0 |        |          |    |   |                                   |  |  |  |  |  |  |  |  |  |   |  |  |   |  |  |   |  |  |  |   |  |  |  |  |   |  |  |  |  |
|------------------|---|--------|----------|----|---|-----------------------------------|--|--|--|--|--|--|--|--|--|---|--|--|---|--|--|---|--|--|--|---|--|--|--|--|---|--|--|--|--|
| Id               | F   |        |          |    |   |                                   |  |  |  |  |  |  |  |  |  | E |  |  | D |  |  | C |  |  |  | B |  |  |  |  | A |  |  |  |  |
| Reset 0x00000000 | 0   |        |          |    |   |                                   |  |  |  |  |  |  |  |  |  |   |  |  |   |  |  |   |  |  |  |   |  |  |  |  |   |  |  |  |  |
| Id               | RW  | Field  | Value    | Id | Value   | Description                       |  |  |  |  |  |  |  |  |  |   |  |  |   |  |  |   |  |  |  |   |  |  |  |  |   |  |  |  |  |
| A                | RW  | CTS    |          |    | Write '1' to Disable interrupt for CTS event    | See <a href="#">EVENTS_CTS</a>    |  |  |  |  |  |  |  |  |  |   |  |  |   |  |  |   |  |  |  |   |  |  |  |  |   |  |  |  |  |
|                  |   |        | Clear    | 1  | Disable   |                                   |  |  |  |  |  |  |  |  |  |   |  |  |   |  |  |   |  |  |  |   |  |  |  |  |   |  |  |  |  |
|                  |   |        | Disabled | 0  | Read: Disabled                                  |                                   |  |  |  |  |  |  |  |  |  |   |  |  |   |  |  |   |  |  |  |   |  |  |  |  |   |  |  |  |  |
|                  |   |        | Enabled  | 1  | Read: Enabled                                   |                                   |  |  |  |  |  |  |  |  |  |   |  |  |   |  |  |   |  |  |  |   |  |  |  |  |   |  |  |  |  |
| B                | RW  | NCTS   |          |    | Write '1' to Disable interrupt for NCTS event   | See <a href="#">EVENTS_NCTS</a>   |  |  |  |  |  |  |  |  |  |   |  |  |   |  |  |   |  |  |  |   |  |  |  |  |   |  |  |  |  |
|                  |   |        | Clear    | 1  | Disable   |                                   |  |  |  |  |  |  |  |  |  |   |  |  |   |  |  |   |  |  |  |   |  |  |  |  |   |  |  |  |  |
|                  |   |        | Disabled | 0  | Read: Disabled                                  |                                   |  |  |  |  |  |  |  |  |  |   |  |  |   |  |  |   |  |  |  |   |  |  |  |  |   |  |  |  |  |
|                  |   |        | Enabled  | 1  | Read: Enabled                                   |                                   |  |  |  |  |  |  |  |  |  |   |  |  |   |  |  |   |  |  |  |   |  |  |  |  |   |  |  |  |  |
| C                | RW  | RXDRDY |          |    | Write '1' to Disable interrupt for RXDRDY event | See <a href="#">EVENTS_RXDRDY</a> |  |  |  |  |  |  |  |  |  |   |  |  |   |  |  |   |  |  |  |   |  |  |  |  |   |  |  |  |  |
|                  |   |        | Clear    | 1  | Disable   |                                   |  |  |  |  |  |  |  |  |  |   |  |  |   |  |  |   |  |  |  |   |  |  |  |  |   |  |  |  |  |
|                  |   |        | Disabled | 0  | Read: Disabled                                  |                                   |  |  |  |  |  |  |  |  |  |   |  |  |   |  |  |   |  |  |  |   |  |  |  |  |   |  |  |  |  |
|                  |   |        | Enabled  | 1  | Read: Enabled                                   |                                   |  |  |  |  |  |  |  |  |  |   |  |  |   |  |  |   |  |  |  |   |  |  |  |  |   |  |  |  |  |
| D                | RW  | TXDRDY |          |    | Write '1' to Disable interrupt for TXDRDY event | See <a href="#">EVENTS_TXDRDY</a> |  |  |  |  |  |  |  |  |  |   |  |  |   |  |  |   |  |  |  |   |  |  |  |  |   |  |  |  |  |
|                  |   |        | Clear    | 1  | Disable   |                                   |  |  |  |  |  |  |  |  |  |   |  |  |   |  |  |   |  |  |  |   |  |  |  |  |   |  |  |  |  |
|                  |   |        | Disabled | 0  | Read: Disabled                                  |                                   |  |  |  |  |  |  |  |  |  |   |  |  |   |  |  |   |  |  |  |   |  |  |  |  |   |  |  |  |  |
|                  |   |        | Enabled  | 1  | Read: Enabled                                   |                                   |  |  |  |  |  |  |  |  |  |   |  |  |   |  |  |   |  |  |  |   |  |  |  |  |   |  |  |  |  |
| E                | RW  | ERROR  |          |    | Write '1' to Disable interrupt for ERROR event  | See <a href="#">EVENTS_ERROR</a>  |  |  |  |  |  |  |  |  |  |   |  |  |   |  |  |   |  |  |  |   |  |  |  |  |   |  |  |  |  |
|                  |   |        | Clear    | 1  | Disable   |                                   |  |  |  |  |  |  |  |  |  |   |  |  |   |  |  |   |  |  |  |   |  |  |  |  |   |  |  |  |  |
|                  |   |        | Disabled | 0  | Read: Disabled                                  |                                   |  |  |  |  |  |  |  |  |  |   |  |  |   |  |  |   |  |  |  |   |  |  |  |  |   |  |  |  |  |
|                  |   |        | Enabled  | 1  | Read: Enabled                                   |                                   |  |  |  |  |  |  |  |  |  |   |  |  |   |  |  |   |  |  |  |   |  |  |  |  |   |  |  |  |  |
| F                | RW  | RXTO   |          |    | Write '1' to Disable interrupt for RXTO event   | See <a href="#">EVENTS_RXTO</a>   |  |  |  |  |  |  |  |  |  |   |  |  |   |  |  |   |  |  |  |   |  |  |  |  |   |  |  |  |  |
|                  |   |        | Clear    | 1  | Disable   |                                   |  |  |  |  |  |  |  |  |  |   |  |  |   |  |  |   |  |  |  |   |  |  |  |  |   |  |  |  |  |
|                  |   |        | Disabled | 0  | Read: Disabled                                  |                                   |  |  |  |  |  |  |  |  |  |   |  |  |   |  |  |   |  |  |  |   |  |  |  |  |   |  |  |  |  |
|                  |   |        | Enabled  | 1  | Read: Enabled                                   |                                   |  |  |  |  |  |  |  |  |  |   |  |  |   |  |  |   |  |  |  |   |  |  |  |  |   |  |  |  |  |

## 50.10.4 ERRORSRC

Address offset: 0x480

Error source

| Bit number       | 31 30 29 28 27 26 25 24 23 22 21 20 19 18 17 16 15 14 13 12 11 10 9 8 7 6 5 4 3 2 1 0 |                         |            |    |                         |  |  |                        |   |  |  |  |  |  |  |   |  |  |   |  |  |   |  |  |  |   |  |  |  |  |  |
|------------------|---|-------------------------|------------|----|-------------------------|--|--|------------------------|---|--|--|--|--|--|--|---|--|--|---|--|--|---|--|--|--|---|--|--|--|--|--|
| Id               |   |                         |            |    |                         |  |  |                        |   |  |  |  |  |  |  | D |  |  | C |  |  | B |  |  |  | A |  |  |  |  |  |
| Reset 0x00000000 | 0   |                         |            |    |                         |  |  |                        |   |  |  |  |  |  |  |   |  |  |   |  |  |   |  |  |  |   |  |  |  |  |  |
| Id               | RW  | Field                   | Value      | Id | Value                   | Description  |  |                        |   |  |  |  |  |  |  |   |  |  |   |  |  |   |  |  |  |   |  |  |  |  |  |
| A                | RW  | OVERRUN                 |            |    | Overrun error           | A start bit is received while the previous data still lies in RXD.<br>(Previous data is lost.) |  |                        |   |  |  |  |  |  |  |   |  |  |   |  |  |   |  |  |  |   |  |  |  |  |  |
|                  |   |                         | NotPresent | 0  | Read: error not present |  |  |                        |   |  |  |  |  |  |  |   |  |  |   |  |  |   |  |  |  |   |  |  |  |  |  |
|                  |   |                         | Present    | 1  | Read: error present     |  |  |                        |   |  |  |  |  |  |  |   |  |  |   |  |  |   |  |  |  |   |  |  |  |  |  |
|                  |   |                         | B          | RW | PARITY                  |  |  | Parity error           | A character with bad parity is received, if HW parity check is enabled. |  |  |  |  |  |  |   |  |  |   |  |  |   |  |  |  |   |  |  |  |  |  |
| NotPresent       | 0   | Read: error not present |            |    |                         |  |  |                        |   |  |  |  |  |  |  |   |  |  |   |  |  |   |  |  |  |   |  |  |  |  |  |
| Present          | 1   | Read: error present     |            |    |                         |  |  |                        |   |  |  |  |  |  |  |   |  |  |   |  |  |   |  |  |  |   |  |  |  |  |  |
| C                | RW  | FRAMING                 |            |    |                         |  |  | Framing error occurred |   |  |  |  |  |  |  |   |  |  |   |  |  |   |  |  |  |   |  |  |  |  |  |

| Bit number       | 31 | 30    | 29         | 28    | 27   | 26 | 25 | 24 | 23 | 22 | 21 | 20 | 19 | 18 | 17 | 16 | 15 | 14 | 13 | 12 | 11 | 10 | 9 | 8 | 7 | 6 | 5 | 4 | 3 | 2 | 1 | 0 |
|------------------|----|-------|------------|-------|--|----|----|----|----|----|----|----|----|----|----|----|----|----|----|----|----|----|---|---|---|---|---|---|---|---|---|---|
| Id               |    |       |            |       |  |    |    |    |    |    |    |    |    |    |    |    |    |    |    |    |    |    |   |   |   |   |   | D | C | B | A |   |
| Reset 0x00000000 | 0  | 0     | 0          | 0     | 0  | 0  | 0  | 0  | 0  | 0  | 0  | 0  | 0  | 0  | 0  | 0  | 0  | 0  | 0  | 0  | 0  | 0  | 0 | 0 | 0 | 0 | 0 | 0 | 0 | 0 | 0 | 0 |
| Id               | RW | Field | Value Id   | Value | Description  |    |    |    |    |    |    |    |    |    |    |    |    |    |    |    |    |    |   |   |   |   |   |   |   |   |   |   |
|                  |    |       | NotPresent | 0     | A valid stop bit is not detected on the serial data input after all bits in a character have been received.<br>Read: error not present   |    |    |    |    |    |    |    |    |    |    |    |    |    |    |    |    |    |   |   |   |   |   |   |   |   |   |   |
|                  |    |       | Present    | 1     | Read: error present  |    |    |    |    |    |    |    |    |    |    |    |    |    |    |    |    |    |   |   |   |   |   |   |   |   |   |   |
| D                | RW | BREAK |            |       | Break condition<br><br>The serial data input is '0' for longer than the length of a data frame. (The data frame length is 10 bits without parity bit, and 11 bits with parity bit.). |    |    |    |    |    |    |    |    |    |    |    |    |    |    |    |    |    |   |   |   |   |   |   |   |   |   |   |
|                  |    |       | NotPresent | 0     | Read: error not present  |    |    |    |    |    |    |    |    |    |    |    |    |    |    |    |    |    |   |   |   |   |   |   |   |   |   |   |
|                  |    |       | Present    | 1     | Read: error present  |    |    |    |    |    |    |    |    |    |    |    |    |    |    |    |    |    |   |   |   |   |   |   |   |   |   |   |

### 50.10.5 ENABLE

Address offset: 0x500

Enable UART

| Bit number       | 31 | 30     | 29       | 28    | 27                     | 26 | 25 | 24 | 23 | 22 | 21 | 20 | 19 | 18 | 17 | 16 | 15 | 14 | 13 | 12 | 11 | 10 | 9 | 8 | 7 | 6 | 5 | 4 | 3 | 2 | 1 | 0 |
|------------------|----|--------|----------|-------|------------------------|----|----|----|----|----|----|----|----|----|----|----|----|----|----|----|----|----|---|---|---|---|---|---|---|---|---|---|
| Id               |    |        |          |       |                        |    |    |    |    |    |    |    |    |    |    |    |    |    |    |    |    |    |   |   |   |   |   | A | A | A | A |   |
| Reset 0x00000000 | 0  | 0      | 0        | 0     | 0                      | 0  | 0  | 0  | 0  | 0  | 0  | 0  | 0  | 0  | 0  | 0  | 0  | 0  | 0  | 0  | 0  | 0  | 0 | 0 | 0 | 0 | 0 | 0 | 0 | 0 | 0 | 0 |
| Id               | RW | Field  | Value Id | Value | Description            |    |    |    |    |    |    |    |    |    |    |    |    |    |    |    |    |    |   |   |   |   |   |   |   |   |   |   |
| A                | RW | ENABLE |          |       | Enable or disable UART |    |    |    |    |    |    |    |    |    |    |    |    |    |    |    |    |    |   |   |   |   |   |   |   |   |   |   |
|                  |    |        | Disabled | 0     | Disable UART           |    |    |    |    |    |    |    |    |    |    |    |    |    |    |    |    |    |   |   |   |   |   |   |   |   |   |   |
|                  |    |        | Enabled  | 4     | Enable UART            |    |    |    |    |    |    |    |    |    |    |    |    |    |    |    |    |    |   |   |   |   |   |   |   |   |   |   |

### 50.10.6 PSELRTS

Address offset: 0x508

Pin select for RTS

| Bit number       | 31 | 30      | 29           | 28         | 27   | 26 | 25 | 24 | 23 | 22 | 21 | 20 | 19 | 18 | 17 | 16 | 15 | 14 | 13 | 12 | 11 | 10 | 9 | 8 | 7 | 6 | 5 | 4 | 3 | 2 | 1 | 0 |
|------------------|----|---------|--------------|------------|--|----|----|----|----|----|----|----|----|----|----|----|----|----|----|----|----|----|---|---|---|---|---|---|---|---|---|---|
| Id               | A  | A       | A            | A          | A  | A  | A  | A  | A  | A  | A  | A  | A  | A  | A  | A  | A  | A  | A  | A  | A  | A  | A | A | A | A | A | A | A | A | A | A |
| Reset 0xFFFFFFFF | 1  | 1       | 1            | 1          | 1  | 1  | 1  | 1  | 1  | 1  | 1  | 1  | 1  | 1  | 1  | 1  | 1  | 1  | 1  | 1  | 1  | 1  | 1 | 1 | 1 | 1 | 1 | 1 | 1 | 1 | 1 |   |
| Id               | RW | Field   | Value Id     | Value      | Description                                  |    |    |    |    |    |    |    |    |    |    |    |    |    |    |    |    |    |   |   |   |   |   |   |   |   |   |   |
| A                | RW | PSELRTS |              | [0..31]    | Pin number configuration for UART RTS signal |    |    |    |    |    |    |    |    |    |    |    |    |    |    |    |    |    |   |   |   |   |   |   |   |   |   |   |
|                  |    |         | Disconnected | 0xFFFFFFFF | Disconnect                                   |    |    |    |    |    |    |    |    |    |    |    |    |    |    |    |    |    |   |   |   |   |   |   |   |   |   |   |

### 50.10.7 PSELTXD

Address offset: 0x50C

Pin select for TXD

| Bit number       | 31 | 30      | 29           | 28         | 27   | 26 | 25 | 24 | 23 | 22 | 21 | 20 | 19 | 18 | 17 | 16 | 15 | 14 | 13 | 12 | 11 | 10 | 9 | 8 | 7 | 6 | 5 | 4 | 3 | 2 | 1 | 0 |
|------------------|----|---------|--------------|------------|--|----|----|----|----|----|----|----|----|----|----|----|----|----|----|----|----|----|---|---|---|---|---|---|---|---|---|---|
| Id               | A  | A       | A            | A          | A  | A  | A  | A  | A  | A  | A  | A  | A  | A  | A  | A  | A  | A  | A  | A  | A  | A  | A | A | A | A | A | A | A | A | A |   |
| Reset 0xFFFFFFFF | 1  | 1       | 1            | 1          | 1  | 1  | 1  | 1  | 1  | 1  | 1  | 1  | 1  | 1  | 1  | 1  | 1  | 1  | 1  | 1  | 1  | 1  | 1 | 1 | 1 | 1 | 1 | 1 | 1 | 1 | 1 |   |
| Id               | RW | Field   | Value Id     | Value      | Description                                  |    |    |    |    |    |    |    |    |    |    |    |    |    |    |    |    |    |   |   |   |   |   |   |   |   |   |   |
| A                | RW | PSELTXD |              | [0..31]    | Pin number configuration for UART TXD signal |    |    |    |    |    |    |    |    |    |    |    |    |    |    |    |    |    |   |   |   |   |   |   |   |   |   |   |
|                  |    |         | Disconnected | 0xFFFFFFFF | Disconnect                                   |    |    |    |    |    |    |    |    |    |    |    |    |    |    |    |    |    |   |   |   |   |   |   |   |   |   |   |

### 50.10.8 PSELCTS

Address offset: 0x510

Pin select for CTS

| Bit number       | 31 | 30      | 29           | 28                    | 27   | 26 | 25 | 24 | 23 | 22 | 21 | 20 | 19 | 18 | 17 | 16 | 15 | 14 | 13 | 12 | 11 | 10 | 9 | 8 | 7 | 6 | 5 | 4 | 3 | 2 | 1 | 0 |   |
|------------------|----|---------|--------------|-----------------------|--|----|----|----|----|----|----|----|----|----|----|----|----|----|----|----|----|----|---|---|---|---|---|---|---|---|---|---|---|
| Id               | A  | A       | A            | A                     | A  | A  | A  | A  | A  | A  | A  | A  | A  | A  | A  | A  | A  | A  | A  | A  | A  | A  | A | A | A | A | A | A | A | A | A | A | A |
| Reset 0xFFFFFFFF | 1  | 1       | 1            | 1                     | 1  | 1  | 1  | 1  | 1  | 1  | 1  | 1  | 1  | 1  | 1  | 1  | 1  | 1  | 1  | 1  | 1  | 1  | 1 | 1 | 1 | 1 | 1 | 1 | 1 | 1 | 1 | 1 |   |
| Id               | RW | Field   | Value Id     | Value                 | Description  |    |    |    |    |    |    |    |    |    |    |    |    |    |    |    |    |    |   |   |   |   |   |   |   |   |   |   |   |
| A                | RW | PSELCTS | Disconnected | [0..31]<br>0xFFFFFFFF | Pin number configuration for UART CTS signal<br>Disconnect |    |    |    |    |    |    |    |    |    |    |    |    |    |    |    |    |    |   |   |   |   |   |   |   |   |   |   |   |

### 50.10.9 PSELRXD

Address offset: 0x514

Pin select for RXD

| Bit number       | 31 | 30      | 29           | 28                    | 27   | 26 | 25 | 24 | 23 | 22 | 21 | 20 | 19 | 18 | 17 | 16 | 15 | 14 | 13 | 12 | 11 | 10 | 9 | 8 | 7 | 6 | 5 | 4 | 3 | 2 | 1 | 0 |
|------------------|----|---------|--------------|-----------------------|--|----|----|----|----|----|----|----|----|----|----|----|----|----|----|----|----|----|---|---|---|---|---|---|---|---|---|---|
| Id               | A  | A       | A            | A                     | A  | A  | A  | A  | A  | A  | A  | A  | A  | A  | A  | A  | A  | A  | A  | A  | A  | A  | A | A | A | A | A | A | A | A | A | A |
| Reset 0xFFFFFFFF | 1  | 1       | 1            | 1                     | 1  | 1  | 1  | 1  | 1  | 1  | 1  | 1  | 1  | 1  | 1  | 1  | 1  | 1  | 1  | 1  | 1  | 1  | 1 | 1 | 1 | 1 | 1 | 1 | 1 | 1 | 1 | 1 |
| Id               | RW | Field   | Value Id     | Value                 | Description  |    |    |    |    |    |    |    |    |    |    |    |    |    |    |    |    |    |   |   |   |   |   |   |   |   |   |   |
| A                | RW | PSELRXD | Disconnected | [0..31]<br>0xFFFFFFFF | Pin number configuration for UART RXD signal<br>Disconnect |    |    |    |    |    |    |    |    |    |    |    |    |    |    |    |    |    |   |   |   |   |   |   |   |   |   |   |

### 50.10.10 RXD

Address offset: 0x518

RXD register

| Bit number       | 31 | 30    | 29       | 28    | 27  | 26 | 25 | 24 | 23 | 22 | 21 | 20 | 19 | 18 | 17 | 16 | 15 | 14 | 13 | 12 | 11 | 10 | 9 | 8 | 7 | 6 | 5 | 4 | 3 | 2 | 1 | 0 |
|------------------|----|-------|----------|-------|---|----|----|----|----|----|----|----|----|----|----|----|----|----|----|----|----|----|---|---|---|---|---|---|---|---|---|---|
| Id               |    |       |          |       |   |    |    |    |    |    |    |    |    |    |    |    |    |    |    |    |    |    |   |   | A | A | A | A | A | A | A | A |
| Reset 0x00000000 | 0  | 0     | 0        | 0     | 0   | 0  | 0  | 0  | 0  | 0  | 0  | 0  | 0  | 0  | 0  | 0  | 0  | 0  | 0  | 0  | 0  | 0  | 0 | 0 | 0 | 0 | 0 | 0 | 0 | 0 | 0 |   |
| Id               | RW | Field | Value Id | Value | Description   |    |    |    |    |    |    |    |    |    |    |    |    |    |    |    |    |    |   |   |   |   |   |   |   |   |   |   |
| A                | R  | RXD   |          |       | RX data received in previous transfers, double buffered |    |    |    |    |    |    |    |    |    |    |    |    |    |    |    |    |    |   |   |   |   |   |   |   |   |   |   |

### 50.10.11 TXD

Address offset: 0x51C

TXD register

| Bit number       | 31 | 30    | 29       | 28    | 27                        | 26 | 25 | 24 | 23 | 22 | 21 | 20 | 19 | 18 | 17 | 16 | 15 | 14 | 13 | 12 | 11 | 10 | 9 | 8 | 7 | 6 | 5 | 4 | 3 | 2 | 1 | 0 |
|------------------|----|-------|----------|-------|---------------------------|----|----|----|----|----|----|----|----|----|----|----|----|----|----|----|----|----|---|---|---|---|---|---|---|---|---|---|
| Id               |    |       |          |       |                           |    |    |    |    |    |    |    |    |    |    |    |    |    |    |    |    |    |   |   |   | A | A | A | A | A | A | A |
| Reset 0x00000000 | 0  | 0     | 0        | 0     | 0                         | 0  | 0  | 0  | 0  | 0  | 0  | 0  | 0  | 0  | 0  | 0  | 0  | 0  | 0  | 0  | 0  | 0  | 0 | 0 | 0 | 0 | 0 | 0 | 0 | 0 | 0 |   |
| Id               | RW | Field | Value Id | Value | Description               |    |    |    |    |    |    |    |    |    |    |    |    |    |    |    |    |    |   |   |   |   |   |   |   |   |   |   |
| A                | W  | TXD   |          |       | TX data to be transferred |    |    |    |    |    |    |    |    |    |    |    |    |    |    |    |    |    |   |   |   |   |   |   |   |   |   |   |

### 50.10.12 BAUDRATE

Address offset: 0x524

Baud rate

| Bit number       | 31 | 30       | 29        | 28         | 27                              | 26 | 25 | 24 | 23 | 22 | 21 | 20 | 19 | 18 | 17 | 16 | 15 | 14 | 13 | 12 | 11 | 10 | 9 | 8 | 7 | 6 | 5 | 4 | 3 | 2 | 1 | 0 |
|------------------|----|----------|-----------|------------|---------------------------------|----|----|----|----|----|----|----|----|----|----|----|----|----|----|----|----|----|---|---|---|---|---|---|---|---|---|---|
| Id               | A  | A        | A         | A          | A                               | A  | A  | A  | A  | A  | A  | A  | A  | A  | A  | A  | A  | A  | A  | A  | A  | A  | A | A | A | A | A | A | A | A | A | A |
| Reset 0x04000000 | 0  | 0        | 0         | 0          | 0                               | 1  | 0  | 0  | 0  | 0  | 0  | 0  | 0  | 0  | 0  | 0  | 0  | 0  | 0  | 0  | 0  | 0  | 0 | 0 | 0 | 0 | 0 | 0 | 0 | 0 | 0 |   |
| Id               | RW | Field    | Value Id  | Value      | Description                     |    |    |    |    |    |    |    |    |    |    |    |    |    |    |    |    |    |   |   |   |   |   |   |   |   |   |   |
| A                | RW | BAUDRATE |           |            | Baud rate                       |    |    |    |    |    |    |    |    |    |    |    |    |    |    |    |    |    |   |   |   |   |   |   |   |   |   |   |
|                  |    |          | Baud1200  | 0x0004F000 | 1200 baud (actual rate: 1205)   |    |    |    |    |    |    |    |    |    |    |    |    |    |    |    |    |    |   |   |   |   |   |   |   |   |   |   |
|                  |    |          | Baud2400  | 0x0009D000 | 2400 baud (actual rate: 2396)   |    |    |    |    |    |    |    |    |    |    |    |    |    |    |    |    |    |   |   |   |   |   |   |   |   |   |   |
|                  |    |          | Baud4800  | 0x0013B000 | 4800 baud (actual rate: 4808)   |    |    |    |    |    |    |    |    |    |    |    |    |    |    |    |    |    |   |   |   |   |   |   |   |   |   |   |
|                  |    |          | Baud9600  | 0x00275000 | 9600 baud (actual rate: 9598)   |    |    |    |    |    |    |    |    |    |    |    |    |    |    |    |    |    |   |   |   |   |   |   |   |   |   |   |
|                  |    |          | Baud14400 | 0x003B0000 | 14400 baud (actual rate: 14414) |    |    |    |    |    |    |    |    |    |    |    |    |    |    |    |    |    |   |   |   |   |   |   |   |   |   |   |
|                  |    |          | Baud19200 | 0x004EA000 | 19200 baud (actual rate: 19208) |    |    |    |    |    |    |    |    |    |    |    |    |    |    |    |    |    |   |   |   |   |   |   |   |   |   |   |
|                  |    |          | Baud28800 | 0x0075F000 | 28800 baud (actual rate: 28829) |    |    |    |    |    |    |    |    |    |    |    |    |    |    |    |    |    |   |   |   |   |   |   |   |   |   |   |
|                  |    |          | Baud38400 | 0x009D5000 | 38400 baud (actual rate: 38462) |    |    |    |    |    |    |    |    |    |    |    |    |    |    |    |    |    |   |   |   |   |   |   |   |   |   |   |
|                  |    |          | Baud57600 | 0x00EBF000 | 57600 baud (actual rate: 57762) |    |    |    |    |    |    |    |    |    |    |    |    |    |    |    |    |    |   |   |   |   |   |   |   |   |   |   |

| Bit number       | 31 | 30    | 29         | 28         | 27                                | 26 | 25 | 24 | 23 | 22 | 21 | 20 | 19 | 18 | 17 | 16 | 15 | 14 | 13 | 12 | 11 | 10 | 9 | 8 | 7 | 6 | 5 | 4 | 3 | 2 | 1 | 0 |
|------------------|----|-------|------------|------------|-----------------------------------|----|----|----|----|----|----|----|----|----|----|----|----|----|----|----|----|----|---|---|---|---|---|---|---|---|---|---|
| Id               | A  | A     | A          | A          | A                                 | A  | A  | A  | A  | A  | A  | A  | A  | A  | A  | A  | A  | A  | A  | A  | A  | A  | A | A | A | A | A | A | A | A | A | A |
| Reset 0x04000000 | 0  | 0     | 0          | 0          | 0                                 | 1  | 0  | 0  | 0  | 0  | 0  | 0  | 0  | 0  | 0  | 0  | 0  | 0  | 0  | 0  | 0  | 0  | 0 | 0 | 0 | 0 | 0 | 0 | 0 | 0 | 0 | 0 |
| Id               | RW | Field | Value Id   | Value      | Description                       |    |    |    |    |    |    |    |    |    |    |    |    |    |    |    |    |    |   |   |   |   |   |   |   |   |   |   |
|                  |    |       | Baud76800  | 0x013A9000 | 76800 baud (actual rate: 76923)   |    |    |    |    |    |    |    |    |    |    |    |    |    |    |    |    |    |   |   |   |   |   |   |   |   |   |   |
|                  |    |       | Baud115200 | 0x01D7E000 | 115200 baud (actual rate: 115942) |    |    |    |    |    |    |    |    |    |    |    |    |    |    |    |    |    |   |   |   |   |   |   |   |   |   |   |
|                  |    |       | Baud230400 | 0x03AFB000 | 230400 baud (actual rate: 231884) |    |    |    |    |    |    |    |    |    |    |    |    |    |    |    |    |    |   |   |   |   |   |   |   |   |   |   |
|                  |    |       | Baud250000 | 0x04000000 | 250000 baud                       |    |    |    |    |    |    |    |    |    |    |    |    |    |    |    |    |    |   |   |   |   |   |   |   |   |   |   |
|                  |    |       | Baud460800 | 0x075F7000 | 460800 baud (actual rate: 470588) |    |    |    |    |    |    |    |    |    |    |    |    |    |    |    |    |    |   |   |   |   |   |   |   |   |   |   |
|                  |    |       | Baud921600 | 0x0EBED000 | 921600 baud (actual rate: 941176) |    |    |    |    |    |    |    |    |    |    |    |    |    |    |    |    |    |   |   |   |   |   |   |   |   |   |   |
|                  |    |       | Baud1M     | 0x10000000 | 1Mega baud                        |    |    |    |    |    |    |    |    |    |    |    |    |    |    |    |    |    |   |   |   |   |   |   |   |   |   |   |

### 50.10.13 CONFIG

Address offset: 0x56C

Configuration of parity and hardware flow control

| Bit number       | 31 | 30     | 29       | 28    | 27                    | 26 | 25 | 24 | 23 | 22 | 21 | 20 | 19 | 18 | 17 | 16 | 15 | 14 | 13 | 12 | 11 | 10 | 9 | 8 | 7 | 6 | 5 | 4 | 3 | 2 | 1 | 0 |   |   |   |
|------------------|----|--------|----------|-------|-----------------------|----|----|----|----|----|----|----|----|----|----|----|----|----|----|----|----|----|---|---|---|---|---|---|---|---|---|---|---|---|---|
| Id               |    |        |          |       |                       |    |    |    |    |    |    |    |    |    |    |    |    |    |    |    |    |    |   |   |   |   |   |   |   |   |   | B | B | B | A |
| Reset 0x00000000 | 0  | 0      | 0        | 0     | 0                     | 0  | 0  | 0  | 0  | 0  | 0  | 0  | 0  | 0  | 0  | 0  | 0  | 0  | 0  | 0  | 0  | 0  | 0 | 0 | 0 | 0 | 0 | 0 | 0 | 0 | 0 | 0 | 0 | 0 |   |
| Id               | RW | Field  | Value Id | Value | Description           |    |    |    |    |    |    |    |    |    |    |    |    |    |    |    |    |    |   |   |   |   |   |   |   |   |   |   |   |   |   |
| A                | RW | HWFC   |          |       | Hardware flow control |    |    |    |    |    |    |    |    |    |    |    |    |    |    |    |    |    |   |   |   |   |   |   |   |   |   |   |   |   |   |
|                  |    |        | Disabled | 0     | Disabled              |    |    |    |    |    |    |    |    |    |    |    |    |    |    |    |    |    |   |   |   |   |   |   |   |   |   |   |   |   |   |
|                  |    |        | Enabled  | 1     | Enabled               |    |    |    |    |    |    |    |    |    |    |    |    |    |    |    |    |    |   |   |   |   |   |   |   |   |   |   |   |   |   |
| B                | RW | PARITY |          |       | Parity                |    |    |    |    |    |    |    |    |    |    |    |    |    |    |    |    |    |   |   |   |   |   |   |   |   |   |   |   |   |   |
|                  |    |        | Excluded | 0x0   | Exclude parity bit    |    |    |    |    |    |    |    |    |    |    |    |    |    |    |    |    |    |   |   |   |   |   |   |   |   |   |   |   |   |   |
|                  |    |        | Included | 0x7   | Include parity bit    |    |    |    |    |    |    |    |    |    |    |    |    |    |    |    |    |    |   |   |   |   |   |   |   |   |   |   |   |   |   |

## 50.11 Electrical specification

### 50.11.1 UART electrical specification

| Symbol              | Description   | Min. | Typ.                  | Max.             | Units   |
|---------------------|---|------|-----------------------|------------------|---------|
| $f_{UART}$          | Baud rate for UART <sup>42</sup> .  |      |                       | 1000             | kbps    |
| $I_{UART1M}$        | Run current at max baud rate.   |      | 55                    |                  | $\mu A$ |
| $I_{UART115k}$      | Run current at 115200 bps.  |      | 55                    |                  | $\mu A$ |
| $I_{UART1k2}$       | Run current at 1200 bps.  |      | 55                    |                  | $\mu A$ |
| $I_{UART,IDLE}$     | Idle current for UART   |      | 1                     |                  | $\mu A$ |
| $t_{UART,CTSH}$     | CTS high time   | 1    |                       |                  | $\mu s$ |
| $t_{UART,START,LP}$ | Time from STARTRX/STARTTX task to transmission started, low power mode        |      | $t_{UART,START}$<br>+ | $t_{START,HFIN}$ | $\mu s$ |
| $t_{UART,START,CL}$ | Time from STARTRX/STARTTX task to transmission started, constant latency mode |      | 1                     |                  | $\mu s$ |

<sup>42</sup> Higher baud rates may require GPIOs to be set as High Drive, see GPIO chapter for more details.

# 51 Mechanical specifications

The mechanical specifications for the packages show the dimensions in millimeters.

## 51.1 QFN48 6 x 6 mm package



Figure 163: QFN48 6 x 6 mm package

Table 130: QFN48 dimensions in millimeters

| Package     | A    | A1   | A3  | b    | D, E | D2, E2 | e   | K    | L    |      |
|-------------|------|------|-----|------|------|--------|-----|------|------|------|
| QFN48 (6x6) | 0.80 | 0.00 |     | 0.15 |      | 4.50   |     | 0.20 | 0.35 | Min. |
|             | 0.85 | 0.02 | 0.2 | 0.20 | 6.0  | 4.60   | 0.4 |      | 0.40 | Nom. |
|             | 0.90 | 0.05 |     | 0.25 |      | 4.70   |     |      | 0.45 | Max. |

## 51.2 WLCSP package

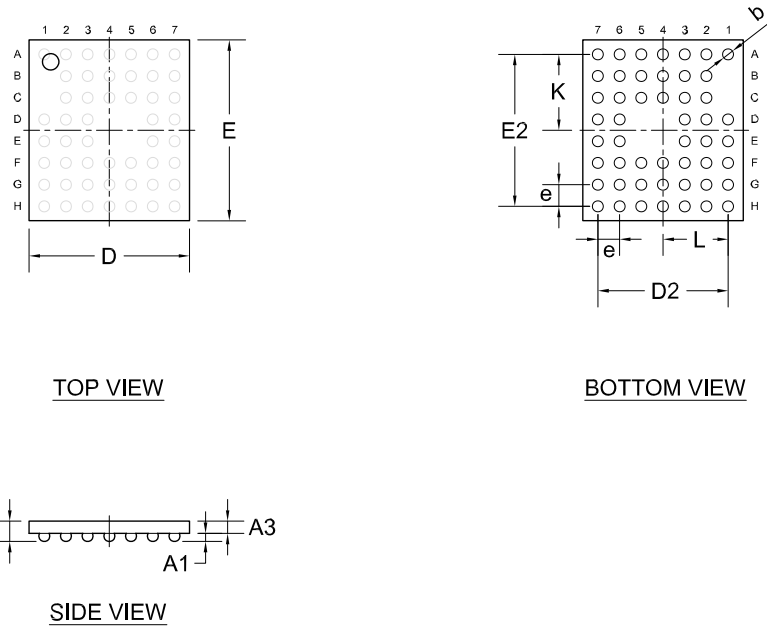


Figure 164: WLCSP package

Table 131: WLCSP packet dimensions in millimeters

| Package           | A     | A1   | A3    | b    | D     | E     | D2  | E2  | e   | K   | L   |      |
|-------------------|-------|------|-------|------|-------|-------|-----|-----|-----|-----|-----|------|
| WLCSP (3.0 × 3.2) | 0.351 | 0.13 |       | 0.19 |       |       |     |     |     |     |     | Min. |
|                   | 0.375 | 0.15 | 0.225 | 0.20 | 2.956 | 3.226 | 2.4 | 2.8 | 0.4 | 1.4 | 1.2 | Nom. |
|                   | 0.399 | 0.17 |       | 0.25 |       |       |     |     |     |     |     | Max. |

## 52 Ordering information

This chapter contains information on IC marking, ordering codes, and container sizes.

### 52.1 IC marking

The nRF52832 IC package is marked like described below.

|    |    |    |    |     |     |
|----|----|----|----|-----|-----|
| N  | 5  | 2  | 8  | 3   | 2   |
| <P | P> | <V | V> | <H> | <P> |
| <Y | Y> | <W | W> | <L  | L>  |

Figure 165: Package marking

### 52.2 Box labels

Here are the box labels used for the nRF52832.



Figure 166: Inner box label

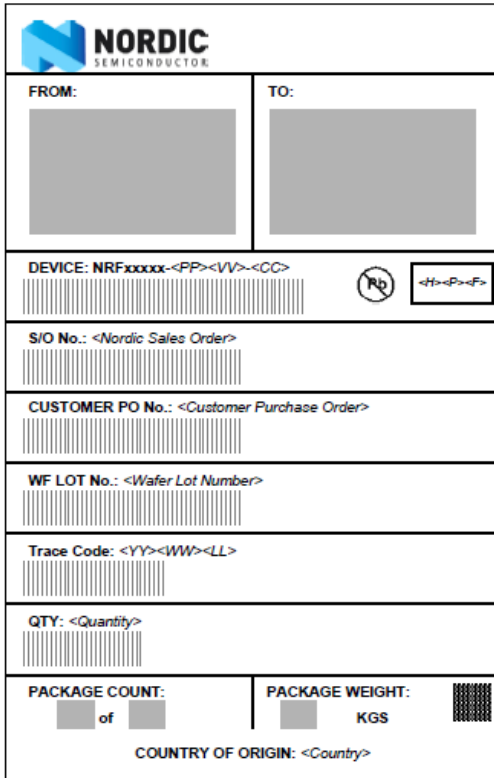


Figure 167: Outer box label

### 52.3 Order code

Here are the nRF52832 order codes and definitions.

|   |   |   |   |   |   |   |   |   |    |    |    |    |   |    |    |
|---|---|---|---|---|---|---|---|---|----|----|----|----|---|----|----|
| n | R | F | 5 | 2 | 8 | 3 | 2 | - | <P | P> | <V | V> | - | <C | C> |
|---|---|---|---|---|---|---|---|---|----|----|----|----|---|----|----|

Figure 168: Order code

Table 132: Abbreviations

| Abbreviation | Definition and implemented codes                                     |
|--------------|--|
| N52/nRF52    | nRF52 Series product   |
| 832          | Part code  |
| <PP>         | Package variant code   |
| <VV>         | Function variant code  |
| <H><P><F>    | Build code   |
|              | H - Hardware version code  |
|              | P - Production configuration code (production site, etc.)            |
|              | F - Firmware version code (only visible on shipping container label) |
| <YY><WW><LL> | Tracking code  |
|              | YY - Year code   |
|              | WW - Assembly week number  |
|              | LL - Wafer lot code  |
| <CC>         | Container code   |

### 52.4 Code ranges and values

Defined here are the nRF52832 code ranges and values.



**Table 133: Package variant codes**

| <PP> | Package | Size (mm) | Pin/Ball count | Pitch (mm) |
|------|---------|-----------|----------------|------------|
| QF   | QFN     | 6 x 6     | 48             | 0.4        |
| CI   | WLCSP   | 3.0 x 3.2 | 50             | 0.4        |

**Table 134: Function variant codes**

| <VV> | Flash (kB) | RAM (kB) |
|------|------------|----------|
| AA   | 512        | 64       |
| AB   | 256        | 32       |

**Table 135: Hardware version codes**

| <H>       | Description  |
|-----------|--|
| [A . . Z] | Hardware version/revision identifier (incremental) |

**Table 136: Production configuration codes**

| <P>       | Description                                 |
|-----------|---|
| [0 . . 9] | Production device identifier (incremental)  |
| [A . . Z] | Engineering device identifier (incremental) |

**Table 137: Production version codes**

| <F>                | Description                              |
|--------------------|--|
| [A . . N, P . . Z] | Version of preprogrammed firmware        |
| [0]                | Delivered without preprogrammed firmware |

**Table 138: Year codes**

| <YY>        | Description                   |
|-------------|-------------------------------|
| [15 . . 99] | Production year: 2015 to 2099 |

**Table 139: Week codes**

| <WW>       | Description        |
|------------|--------------------|
| [1 . . 52] | Week of production |

**Table 140: Lot codes**

| <LL>        | Description                     |
|-------------|---------------------------------|
| [AA . . ZZ] | Wafer production lot identifier |

**Table 141: Container codes**

| <CC> | Description |
|------|-------------|
| R7   | 7" Reel     |
| R    | 13" Reel    |
| T    | Tray        |

## 52.5 Product options

Defined here are the nRF52832 product options.

**Table 142: nRF52832 order codes**

| Order code       | Minimum ordering quantity (MOQ) | Comment                       |
|------------------|---------------------------------|-------------------------------|
| nRF52832-QFAA-R7 | 1000                            | Availability to be announced. |
| nRF52832-QFAA-R  | 3000                            |                               |
| nRF52832-QFAA-T  | 490                             |                               |
| nRF52832-CIAA-R7 | 1500                            |                               |
| nRF52832-CIAA-R  | 7000                            |                               |
| nRF52832-QFAB-R  | 3000                            |                               |
| nRF52832-QFAB-R7 | 1000                            |                               |
| nRF52832-QFAB-T  | 490                             |                               |

**Table 143: Development tools order code**

| Order code | Description           |
|------------|-----------------------|
| nRF52-DK   | nRF52 Development Kit |

# 53 Reference circuitry

To ensure good RF performance when designing PCBs, it is highly recommended to use the PCB layouts and component values provided by Nordic Semiconductor.

Documentation for the different package reference circuits, including Altium Designer files, PCB layout files, and PCB production files can be downloaded from [Reference layout nRF52 Series](#).

## 53.1 Schematic QFAA and QFAB QFN48 with internal LDO setup

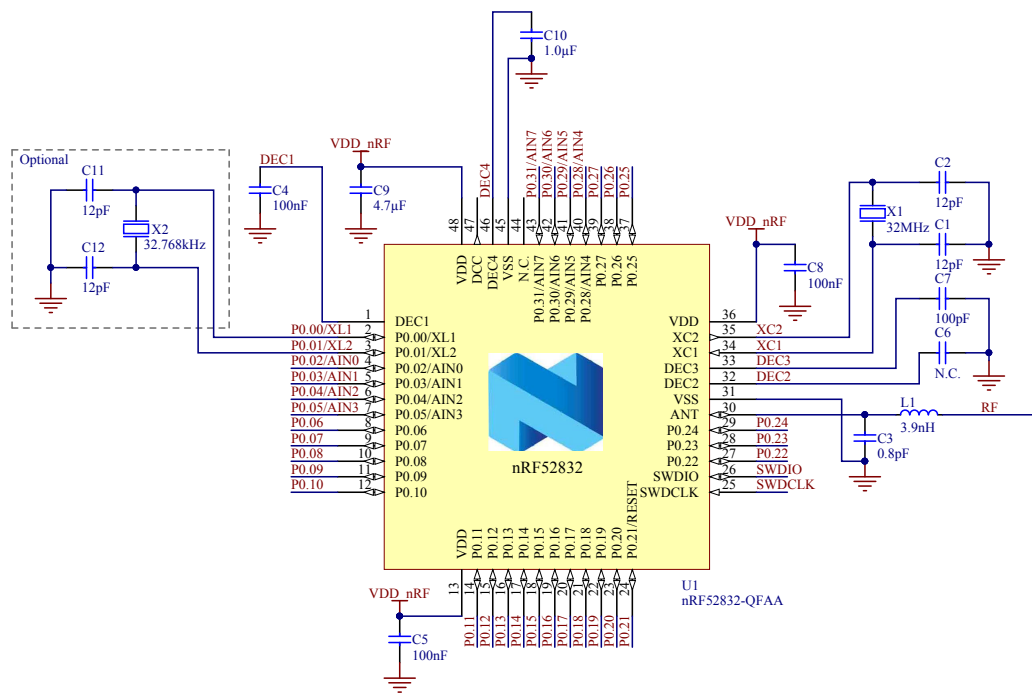


Figure 169: QFAA and QFAB QFN48 with internal LDO setup

For PCB reference layouts, see [Reference layout nRF52 Series](#).

Table 144: Bill of material for QFAA and QFAB QFN48 with internal LDO setup

| Designator       | Value                           | Description  | Footprint |
|------------------|---------------------------------|--|-----------|
| C1, C2, C11, C12 | 12 pF                           | Capacitor, NP0, ±2%  | 0402      |
| C3               | 0.8 pF                          | Capacitor, NP0, ±5%  | 0402      |
| C4, C5, C8       | 100 nF                          | Capacitor, X7R, ±10%   | 0402      |
| C6               | N.C.                            | Not mounted  | 0402      |
| C7               | 100 pF                          | Capacitor, NP0, ±5%  | 0402      |
| C9               | 4.7 µF                          | Capacitor, X5R, ±10%   | 0603      |
| C10              | 1.0 µF                          | Capacitor, X7R, ±10%   | 0603      |
| L1               | 3.9 nH                          | High frequency chip inductor ±5%   | 0402      |
| U1               | nRF52832-QFAA and nRF52832-QFAB | Multi-protocol Bluetooth low energy, ANT, and 2.4 GHz proprietary system on chip | QFN-48    |
| X1               | 32 MHz                          | XTAL SMD 2016, 32 MHz, Cl=8 pF, total tol. ±40 ppm                               | XTAL_2016 |
| X2               | 32.768 kHz                      | XTAL SMD 3215, 32.768 kHz, Cl=9 pF, total tol. ±50 ppm                           | XTAL_3215 |

### 53.2 Schematic QFAA and QFAB QFN48 with DC/DC regulator setup

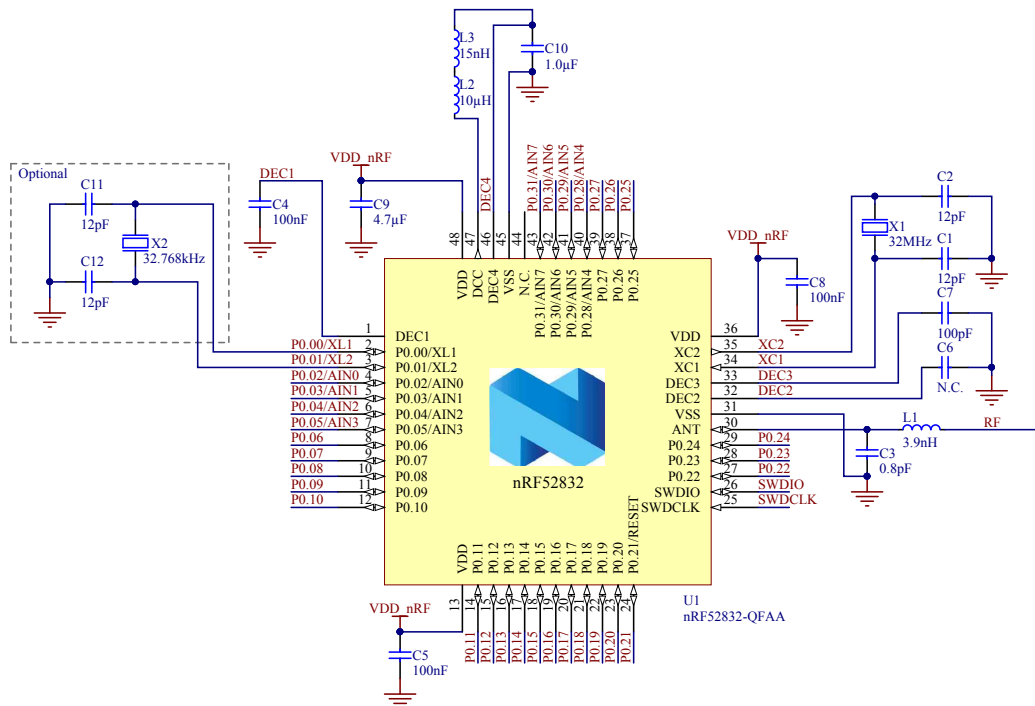


Figure 170: QFAA and QFAB QFN48 with DC/DC regulator setup

For PCB reference layouts, see [Reference layout nRF52 Series](#).

Table 145: Bill of material for QFAA and QFAB QFN48 with DC/DC regulator setup

| Designator       | Value                              | Description  | Footprint |
|------------------|------------------------------------|--|-----------|
| C1, C2, C11, C12 | 12 pF                              | Capacitor, NP0, ±2%  | 0402      |
| C3               | 0.8 pF                             | Capacitor, NP0, ±5%  | 0402      |
| C4, C5, C8       | 100 nF                             | Capacitor, X7R, ±10%   | 0402      |
| C6               | N.C.                               | Not mounted  | 0402      |
| C7               | 100 pF                             | Capacitor, NP0, ±5%  | 0402      |
| C9               | 4.7 µF                             | Capacitor, X5R, ±10%   | 0603      |
| C10              | 1.0 µF                             | Capacitor, X7R, ±10%   | 0603      |
| L1               | 3.9 nH                             | High frequency chip inductor ±5%   | 0402      |
| L2               | 10 µH                              | Chip inductor, IDC, min = 50 mA, ±20%  | 0603      |
| L3               | 15 nH                              | High frequency chip inductor ±10%  | 0402      |
| U1               | nRF52832-QFAA<br>and nRF52832-QFAB | Multi-protocol Bluetooth low energy, ANT, and 2.4 GHz proprietary system on chip | QFN-48    |
| X1               | 32 MHz                             | XTAL SMD 2016, 32 MHz, Cl=8 pF, total tol. ±40 ppm                               | XTAL_2016 |
| X2               | 32.768 kHz                         | XTAL SMD 3215, 32.768 kHz, Cl=9 pF, total tol. ±50 ppm                           | XTAL_3215 |

### 53.3 Schematic QFAA and QFAB QFN48 with DC/DC regulator and NFC setup

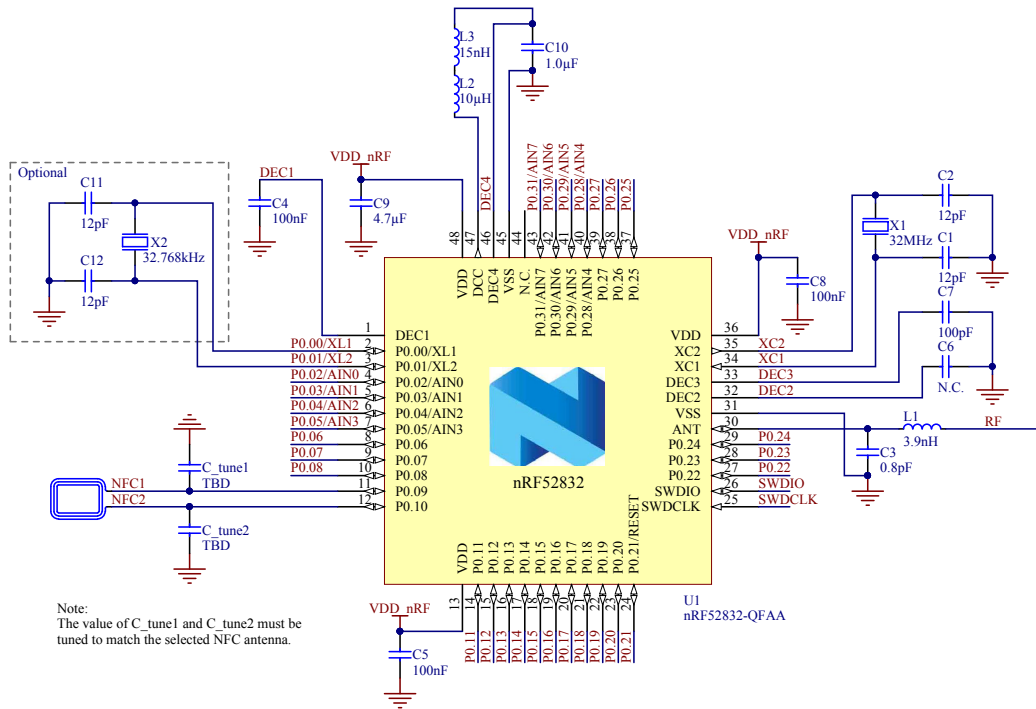


Figure 171: QFAA and QFAB QFN48 with DC/DC regulator and NFC setup

For PCB reference layouts, see [Reference layout nRF52 Series](#).

Table 146: Bill of material for QFAA and QFAB QFN48 with DC/DC converter and NFC setup

| Designator                              | Value                           | Description  | Footprint |
|---|---------------------------------|--|-----------|
| C1, C2, C11, C12                        | 12 pF                           | Capacitor, NP0, ±2%  | 0402      |
| C3                                      | 0.8 pF                          | Capacitor, NP0, ±5%  | 0402      |
| C4, C5, C8                              | 100 nF                          | Capacitor, X7R, ±10%   | 0402      |
| C6                                      | N.C.                            | Not mounted  | 0402      |
| C7                                      | 100 pF                          | Capacitor, NP0, ±5%  | 0402      |
| C9                                      | 4.7 µF                          | Capacitor, X5R, ±10%   | 0603      |
| C10                                     | 1.0 µF                          | Capacitor, X7R, ±10%   | 0603      |
| C <sub>tune1</sub> , C <sub>tune2</sub> | TBD pF                          | Capacitor, NP0, ±5%  | 0402      |
| L1                                      | 3.9 nH                          | High frequency chip inductor ±5%   | 0402      |
| L2                                      | 10 µH                           | Chip inductor, IDC, min = 50 mA, ±20%  | 0603      |
| L3                                      | 15 nH                           | High frequency chip inductor ±10%  | 0402      |
| U1                                      | nRF52832-QFAA and nRF52832-QFAB | Multi-protocol Bluetooth low energy, ANT, and 2.4 GHz proprietary system on chip | QFN-48    |
| X1                                      | 32 MHz                          | XTAL SMD 2016, 32 MHz, Cl=8 pF, Total Tol: ±40 ppm                               | XTAL_2016 |
| X2                                      | 32.768 kHz                      | XTAL SMD 3215, 32.768 kHz, Cl=9 pF, ±50 ppm                                      | XTAL_3215 |

### 53.4 Schematic CIAA WLCSP with internal LDO setup



Figure 172: CIAA WLCSP with internal LDO setup

For PCB reference layouts, see [Reference layout nRF52 Series](#).

Table 147: Bill of material for CIAA WLCSP with internal LDO setup

| Designator       | Value         | Description   | Footprint |
|------------------|---------------|---|-----------|
| C1, C2, C10, C11 | 12 pF         | Capacitor, NP0, ±2%   | 0201      |
| C3               | 1.0 pF        | Capacitor, NP0, ±5%   | 0201      |
| C4, C5           | 100 nF        | Capacitor, X7R, ±10%  | 0201      |
| C6, C7           | 100 pF        | Capacitor, NP0, ±5%   | 0201      |
| C8               | 4.7 µF        | Capacitor, X5R, ±10%  | 0603      |
| C9               | 1.0 µF        | Capacitor, X5R, ±5%   | 0402      |
| L1               | 3.3 nH        | High frequency chip inductor ±5%  | 0201      |
| U1               | nRF52832-CIAA | Multi-protocol <i>Bluetooth</i> low energy, ANT, and 2.4 GHz proprietary system on chip | WLCSP_C50 |
| X1               | 32 MHz        | XTAL SMD 2016, 32 MHz, Cl=8 pF, total tol. ±40 ppm                                      | XTAL_2016 |
| X2               | 32.768 kHz    | XTAL SMD 2012, 32.768 kHz, Cl=9 pF, ±50 ppm   | XTAL_2012 |

## 53.5 Schematic CIAA WLCSP with DC/DC regulator setup

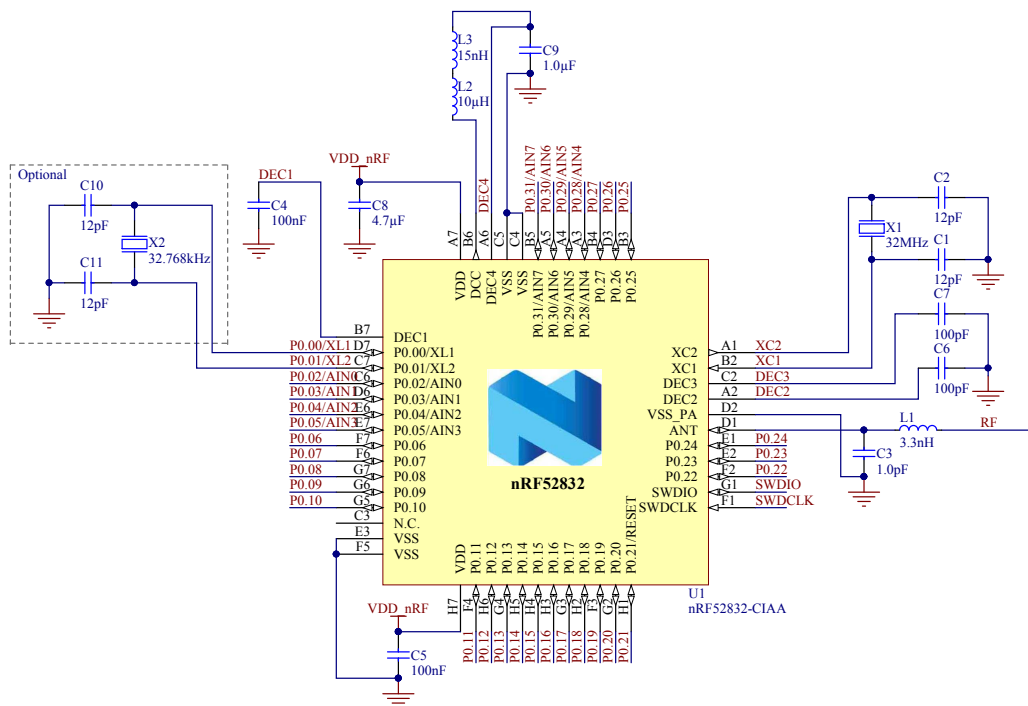


Figure 173: CIAA WLCSP with DC/DC regulator setup

For PCB reference layouts, see [Reference layout nRF52 Series](#).

Table 148: Bill of material for CIAA WLCSP with DC/DC regulator setup

| Designator       | Value         | Description  | Footprint |
|------------------|---------------|--|-----------|
| C1, C2, C10, C11 | 12 pF         | Capacitor, NP0, ±2%  | 0201      |
| C3               | 1.0 pF        | Capacitor, NP0, ±5%  | 0201      |
| C4, C5           | 100 nF        | Capacitor, X7R, ±10%   | 0201      |
| C6, C7           | 100 pF        | Capacitor, NP0, ±5%  | 0201      |
| C8               | 4.7 μF        | Capacitor, X5R, ±10%   | 0603      |
| C9               | 1.0 μF        | Capacitor, X5R, ±5%  | 0402      |
| L1               | 3.3 nH        | High frequency chip inductor ±5%   | 0201      |
| L2               | 10 μH         | Chip inductor, IDC, min = 50 mA, ±20%  | 0603      |
| L3               | 15 nH         | High frequency chip inductor ±10%  | 0402      |
| U1               | nRF52832-CIAA | Multi-protocol Bluetooth low energy, ANT, and 2.4 GHz proprietary system on chip | WLCSP_C50 |
| X1               | 32 MHz        | XTAL SMD 2016, 32 MHz, Cl=8 pF, Total Tol: ±40 ppm                               | XTAL_2016 |
| X2               | 32.768 kHz    | XTAL SMD 2012, 32.768 kHz, Cl=9 pF, ±50 ppm                                      | XTAL_2012 |

### 53.6 Schematic CIAA WLCSP with DC/DC regulator and NFC setup

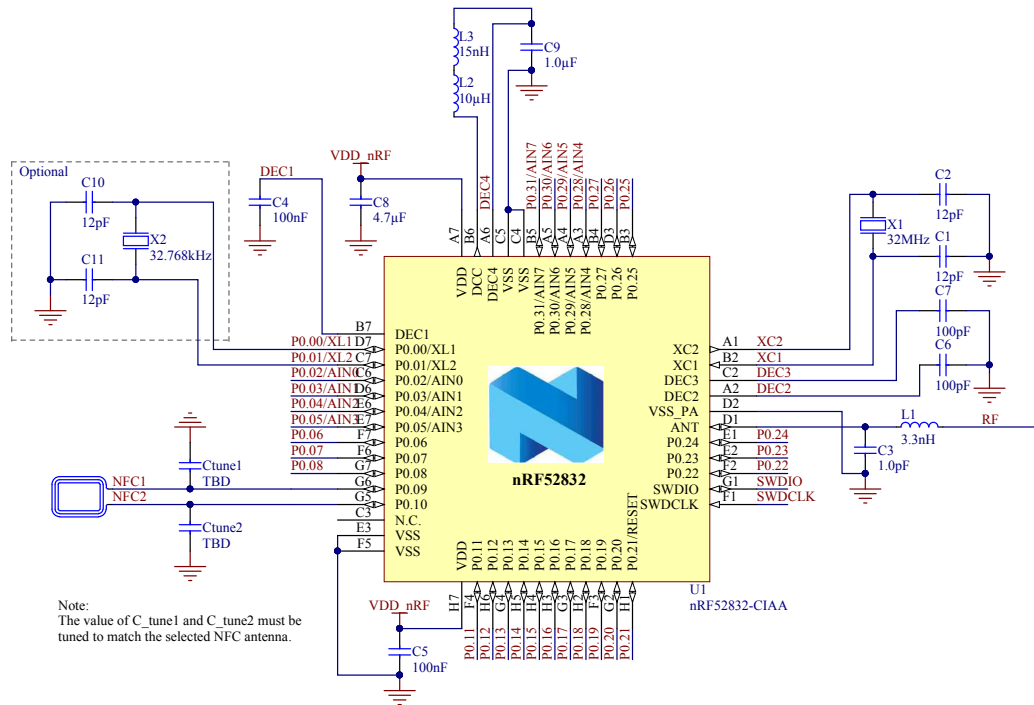


Figure 174: CIAA WLCSP with DC/DC regulator and NFC setup

For PCB reference layouts, see [Reference layout nRF52 Series](#).

Table 149: Bill of material for CIAA WLCSP with DC/DC converter and NFC setup

| Designator                              | Value         | Description  | Footprint |
|---|---------------|--|-----------|
| C1, C2, C10, C11                        | 12 pF         | Capacitor, NP0, ±2%  | 0201      |
| C3                                      | 1.0 pF        | Capacitor, NP0, ±5%  | 0201      |
| C4, C5                                  | 100 nF        | Capacitor, X7R, ±10%   | 0201      |
| C6, C7                                  | 100 pF        | Capacitor, NP0, ±5%  | 0201      |
| C8                                      | 4.7 µF        | Capacitor, X5R, ±10%   | 0603      |
| C9                                      | 1.0 µF        | Capacitor, X5R, ±5%  | 0402      |
| C <sub>tune1</sub> , C <sub>tune2</sub> | TBD pF        | Capacitor, NP0, ±5%  | 0201      |
| L1                                      | 3.3 nH        | High frequency chip inductor ±5%   | 0201      |
| L2                                      | 10 µH         | Chip inductor, IDC, min = 50 mA, ±20%  | 0603      |
| L3                                      | 15 nH         | High frequency chip inductor ±10%  | 0402      |
| U1                                      | nRF52832-CIAA | Multi-protocol Bluetooth low energy, ANT, and 2.4 GHz proprietary system on chip | WLCSP_C50 |
| X1                                      | 32 MHz        | XTAL SMD 2016, 32 MHz, Cl=8 pF, Total Tol: ±40 ppm                               | XTAL_2016 |
| X2                                      | 32.768 kHz    | XTAL SMD 2012, 32.768 kHz, Cl=9 pF, ±50 ppm                                      | XTAL_2012 |

### 53.7 PCB guidelines

A well-designed PCB is necessary to achieve good RF performance. A poor layout can lead to loss in performance or functionality.

A qualified RF layout for the IC and its surrounding components, including matching networks, can be downloaded from [Reference layout nRF52 Series](#).

To ensure optimal performance, it is essential that you follow the schematics and layout references closely. Especially in the case of the antenna matching circuitry (components between device pin ANT and the antenna), any changes to the layout can change the behavior, resulting in degradation of RF performance or a need to change component values. All the reference circuits are designed for use with a 50 ohm single end antenna.

A PCB with a minimum of two layers, including a ground plane, is recommended for optimal performance. On PCBs with more than two layers, put a keep-out area on the inner layers directly below the antenna

matching circuitry (components between device pin ANT and the antenna) to reduce the stray capacitances that influence RF performance.

A matching network is needed between the RF pin ANT and the antenna, to match the antenna impedance (normally 50 ohm) to the optimum RF load impedance for the chip. For optimum performance, the impedance for the matching network should be set as described in the recommended package reference circuitry in [Reference circuitry](#) on page 546 above.

The DC supply voltage should be decoupled as close as possible to the VDD pins with high performance RF capacitors. See the schematics for recommended decoupling capacitor values. The supply voltage for the chip should be filtered and routed separately from the supply voltages of any digital circuitry.

Long power supply lines on the PCB should be avoided. All device grounds, VDD connections, and VDD bypass capacitors must be connected as close as possible to the IC. For a PCB with a topside RF ground plane, the VSS pins should be connected directly to the ground plane. For a PCB with a bottom ground plane, the best technique is to have via holes as close as possible to the VSS pads. A minimum of one via hole should be used for each VSS pin.

Fast switching digital signals should not be routed close to the crystal or the power supply lines. Capacitive loading of fast switching digital output lines should be minimized in order to avoid radio interference.

### 53.8 PCB layout example

The PCB layout shown below is a reference layout for the QFN package with internal LDO setup.

**Important:** Pay attention to how the capacitor C3 is grounded. It is not directly connected to the ground plane, but grounded via VSS pin 31. This is done to create additional filtering of harmonic components.

For all available reference layouts, see [Reference layout nRF52 Series](#).

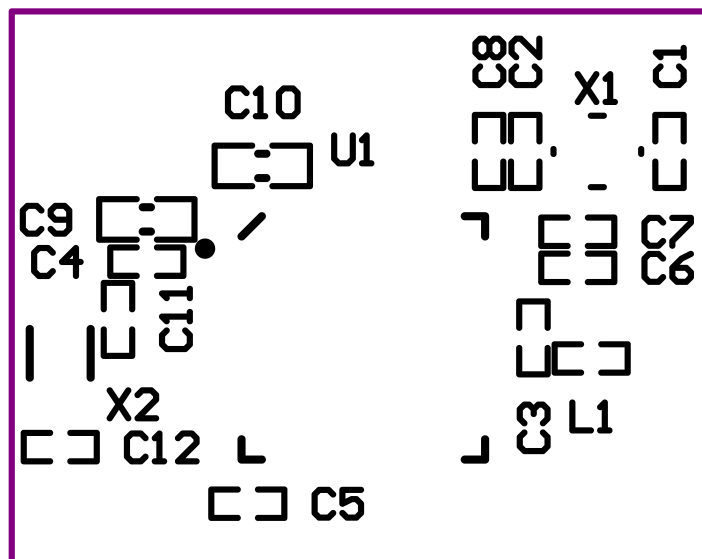


Figure 175: Top silk layer





Figure 176: Top layer



Figure 177: Bottom layer

**Important:** No components in bottom layer.

## 54 Liability disclaimer

Nordic Semiconductor ASA reserves the right to make changes without further notice to the product to improve reliability, function or design. Nordic Semiconductor ASA does not assume any liability arising out of the application or use of any product or circuits described herein.

### 54.1 RoHS and REACH statement

Nordic Semiconductor products meet the requirements of Directive 2002/95/EC of the European Parliament and of the Council on the Restriction of Hazardous Substances (RoHS) and the requirements of the REACH regulation (EC 1907/2006) on Registration, Evaluation, Authorization and Restriction of Chemicals.

The SVHC (Substances of Very High Concern) candidate list is continually being updated. Complete hazardous substance reports, material composition reports and latest version of Nordic's REACH statement can be found on our website .



### 54.2 Life support applications

Nordic Semiconductor products are not designed for use in life support appliances, devices, or systems where malfunction of these products can reasonably be expected to result in personal injury.

Nordic Semiconductor ASA customers using or selling these products for use in such applications do so at their own risk and agree to fully indemnify Nordic Semiconductor ASA for any damages resulting from such improper use or sale.



Компания «ЭлектроПласт» предлагает заключение долгосрочных отношений при поставках импортных электронных компонентов на взаимовыгодных условиях!

Наши преимущества:

- Оперативные поставки широкого спектра электронных компонентов отечественного и импортного производства напрямую от производителей и с крупнейших мировых складов;
- Поставка более 17-ти миллионов наименований электронных компонентов;
- Поставка сложных, дефицитных, либо снятых с производства позиций;
- Оперативные сроки поставки под заказ (от 5 рабочих дней);
- Экспресс доставка в любую точку России;
- Техническая поддержка проекта, помощь в подборе аналогов, поставка прототипов;
- Система менеджмента качества сертифицирована по Международному стандарту ISO 9001;
- Лицензия ФСБ на осуществление работ с использованием сведений, составляющих государственную тайну;
- Поставка специализированных компонентов (Xilinx, Altera, Analog Devices, Intersil, Interpoint, Microsemi, Aeroflex, Peregrine, Syfer, Eurofarad, Texas Instrument, Miteq, Cobham, E2V, MA-COM, Hittite, Mini-Circuits, General Dynamics и др.);

Помимо этого, одним из направлений компании «ЭлектроПласт» является направление «Источники питания». Мы предлагаем Вам помощь Конструкторского отдела:

- Подбор оптимального решения, техническое обоснование при выборе компонента;
- Подбор аналогов;
- Консультации по применению компонента;
- Поставка образцов и прототипов;
- Техническая поддержка проекта;
- Защита от снятия компонента с производства.



#### Как с нами связаться

**Телефон:** 8 (812) 309 58 32 (многоканальный)

**Факс:** 8 (812) 320-02-42

**Электронная почта:** [org@eplast1.ru](mailto:org@eplast1.ru)

**Адрес:** 198099, г. Санкт-Петербург, ул. Калинина, дом 2, корпус 4, литера А.