

PIN-CONTROLLED 1–711 MHz JITTER CLEANING CLOCK

Features

- Provides jitter attenuation for any clock frequency
- One clock input / two clock outputs
- Input/output frequency range: 1–711 MHz
- Ultra low jitter: 300 fs (12 kHz–20 MHz) typical
- Simple pin control interface
- Selectable loop bandwidth for jitter attenuation: 60 Hz–8.4 kHz
- Meets OC-192 GR-253-CORE jitter specifications
- Selectable output clock signal format: LVPECL, LVDS, CML or CMOS
- Single supply: 1.8, 2.5, or 3.3 V
- Loss of lock and loss of signal alarms
- VCO freeze during LOS/LOL
- On-chip voltage regulator with high PSRR
- Small size: 6 x 6 mm, 36-QFN
- Wide temperature range: –40 to +85 °C

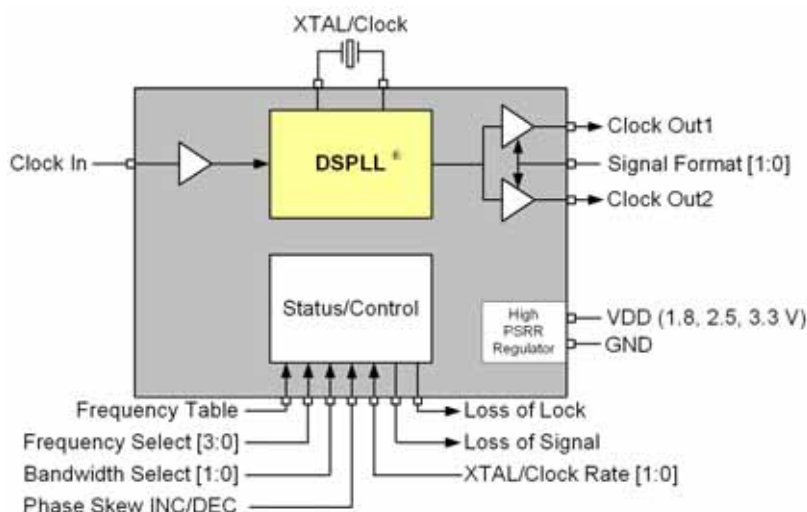
Applications

- Data converter clocking
- Wireless infrastructure
- Networking, SONET/SDH
- Switches and routers
- Medical instrumentation
- Test and measurement

Description

The Si5317 is a flexible 1:1 jitter cleaning clock for high-performance applications that require jitter attenuation without clock multiplication. The Si5317 accepts a single clock input ranging from 1 to 711 MHz and generates two low jitter clock outputs at the same frequency. The clock frequency range and loop bandwidth are selectable from a simple look-up table. The Si5317 is based on Silicon Laboratories' 3rd-generation DSPLL[®] technology, which provides jitter attenuation on any frequency in a highly integrated PLL solution that eliminates the need for external VCXO and loop filter components. The DSPLL loop bandwidth is user selectable, providing jitter performance optimization at the application level.

Functional Block Diagram



Ordering Information:

See page 40.

Pin Assignments

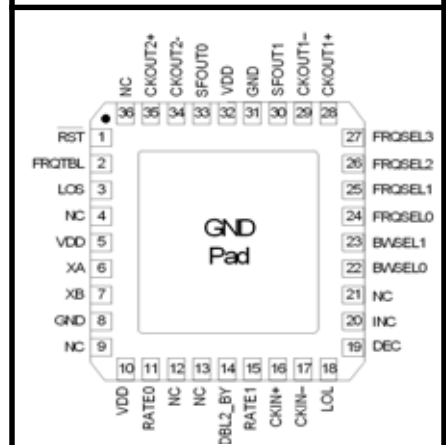


TABLE OF CONTENTS

<u>Section</u>	<u>Page</u>
1. Electrical Specifications	4
1.1. Three-Level (3L) Input Pins (No External Resistors)	9
1.2. Three-Level Input Pins (Example with External Resistors)	9
2. Functional Description	14
2.1. Overview	14
3. Frequency Plan Tables	15
3.1. Frequency Range Plan	15
3.2. Output Skew Adjustment	15
3.3. PLL Self-Calibration	22
3.4. Alarms	23
3.5. VCO Freeze	23
3.6. PLL Bypass Mode	24
4. High-Speed I/O	25
4.1. Input Clock Buffer	25
4.2. Output Clock Driver	27
5. Crystal/Reference Clock Input	29
5.1. Crystal/Reference Clock Selection	30
6. Power Supply Filtering	33
7. Typical Phase Noise Plots	34
7.1. Example: SONET OC-192	34
8. Typical Application Circuit	35
9. Pin Descriptions: Si5317	36
10. Ordering Guide	40
11. Package Outline: 36-Pin QFN	41
12. Recommended PCB Layout	42
13. Si5317 Device Top Mark	44
Document Change List	45
Contact Information	46

1. Electrical Specifications

Table 1. Recommended Operating Conditions

($V_{DD} = 1.8 \pm 5\%$, $2.5 \pm 10\%$, or $3.3 \text{ V} \pm 10\%$, $T_A = -40$ to $85 \text{ }^\circ\text{C}$)

Parameter	Symbol	Test Condition	Min	Typ	Max	Unit
Temperature Range	T_A		-40	25	85	$^\circ\text{C}$
Supply Voltage	V_{DD}	3.3 V nominal	2.97	3.3	3.63	V
		2.5 V nominal	2.25	2.5	2.75	V
		1.8 V nominal	1.71	1.8	1.89	V

Note: All minimum and maximum specifications are guaranteed and apply across the recommended operating conditions. Typical values apply at nominal supply voltages and an operating temperature of $25 \text{ }^\circ\text{C}$ unless otherwise noted.

Table 2. DC Characteristics

($V_{DD} = 1.8 \pm 5\%$, $2.5 \pm 10\%$, or $3.3 \text{ V} \pm 10\%$, $T_A = -40$ to $85 \text{ }^\circ\text{C}$)

Parameter	Symbol	Test Condition	Min	Typ	Max	Units
Supply Current (Supply current is independent of V_{DD})	I_{DD}	LVPECL Format 622.08 MHz Out All CKOUTs Enabled ¹	—	251	279	mA
		LVPECL Format 622.08 MHz Out Only 1 CKOUT Enabled ¹	—	217	243	mA
		CMOS Format 19.44 MHz Out All CKOUTs Enabled ²	—	204	234	mA
		CMOS Format 19.44 MHz Out Only CKOUT1 Enabled ²	—	194	220	mA

CKIN Input Pin

Input Common Mode Voltage (Input Threshold Voltage)	V_{ICM}	$1.8 \text{ V} \pm 5\%$	0.9	—	1.4	V
		$2.5 \text{ V} \pm 10\%$	1.0	—	1.7	V
		$3.3 \text{ V} \pm 10\%$	1.1	—	1.95	V
Input Resistance	CKN_{RIN}	Single-ended	20	40	60	$k\Omega$
Input Voltage Level Limits	CKN_{VIN}	See note ³	0	—	V_{DD}	V
Single-ended Input Voltage Swing	V_{ISE}	$f_{CKIN} \leq 212.5 \text{ MHz}$ See Figure 2.	0.2	—	—	V_{PP}
		$f_{CKIN} > 212.5 \text{ MHz}$ See Figure 2.	0.25	—	—	V_{PP}

Notes:

1. LVPECL outputs require $V_{DD} \geq 2.25 \text{ V}$.
2. This is the amount of leakage that the 3L inputs can tolerate from an external driver. See Figure 3 on page 9. In most designs, an external resistor voltage divider is recommended.
3. No overshoot or undershoot.

Table 2. DC Characteristics (Continued) $(V_{DD} = 1.8 \pm 5\%, 2.5 \pm 10\%, \text{ or } 3.3 \text{ V} \pm 10\%, T_A = -40 \text{ to } 85 \text{ }^\circ\text{C})$

Parameter	Symbol	Test Condition	Min	Typ	Max	Units
Differential Input Voltage Swing	V_{ID}	$f_{CKIN} \leq 212.5 \text{ MHz}$ See Figure 2.	0.2	—	—	V_{PP}
		$f_{CKIN} > 212.5 \text{ MHz}$ See Figure 2.	0.25	—	—	V_{PP}
CKOUT Output Clock¹						
Common Mode	V_{OCM}	LVPECL 100 Ω load line-to-line	$V_{DD} - 1.42$	—	$V_{DD} - 1.25$	V
Differential Output Swing	V_{OD}	LVPECL 100 Ω load line-to-line	1.1	—	1.9	V_{PP}
Single-ended Output Swing	V_{SE}	LVPECL 100 Ω load line-to-line	0.5	—	0.93	V_{PP}
Differential Output Voltage	CKO_{VD}	CML 100 Ω load line-to-line	350	425	500	mV_{PP}
Common Mode Output Voltage	CKO_{VCM}	CML 100 Ω load line-to-line	—	$V_{DD} - 0.36$	—	V
Differential Output Voltage	CKO_{VD}	LVDS 100 Ω load line-to-line	500	700	900	mV_{PP}
		Low swing LVDS 100 Ω load line-to-line	350	425	500	mV_{PP}
Common Mode Output Voltage	CKO_{VCM}	LVDS 100 Ω load line-to-line	1.125	1.2	1.275	V
Output Voltage Low	CKO_{VOLLH}	CMOS	—	—	0.4	V
Output Voltage High	CKO_{VOHLH}	$V_{DD} = 1.71 \text{ V}$ CMOS	$0.8 \times V_{DD}$	—	—	V
Output Drive Current	CKO_{IO}	CMOS Driving into CKO_{VOL} for out- put low or CKO_{VOH} for output high. CKOUT+ and CKOUT- shorted externally.				
		$V_{DD} = 1.8 \text{ V}$	—	7.5	—	mA
		$V_{DD} = 3.3 \text{ V}$	—	32	—	mA
2-Level LVCMOS Input Pins						
Input Voltage Low	V_{IL}	$V_{DD} = 1.71 \text{ V}$	—	—	0.5	V
		$V_{DD} = 2.25 \text{ V}$	—	—	0.7	V
		$V_{DD} = 2.97 \text{ V}$	—	—	0.8	V
Notes:						
1. LVPECL outputs require $V_{DD} \geq 2.25 \text{ V}$.						
2. This is the amount of leakage that the 3L inputs can tolerate from an external driver. See Figure 3 on page 9. In most designs, an external resistor voltage divider is recommended.						
3. No overshoot or undershoot.						

Table 2. DC Characteristics (Continued)

($V_{DD} = 1.8 \pm 5\%$, $2.5 \pm 10\%$, or $3.3 \text{ V} \pm 10\%$, $T_A = -40$ to $85 \text{ }^\circ\text{C}$)

Parameter	Symbol	Test Condition	Min	Typ	Max	Units
Input Voltage High	V_{IH}	$V_{DD} = 1.89 \text{ V}$	1.4	—	—	V
		$V_{DD} = 2.25 \text{ V}$	1.8	—	—	V
		$V_{DD} = 3.63 \text{ V}$	2.5	—	—	V
Input Low Current	I_{IL}		—	—	50	μA
Input High Current	I_{IH}		—	—	50	μA
Weak Internal Input Pull-up Resistor	R_{PUP}		—	75	—	$\text{k}\Omega$
Weak Internal Input Pull-down Resistor	R_{PDN}		—	75	—	$\text{k}\Omega$
3-Level Input Pins						
Input Voltage Low	V_{ILL}		—	—	$0.15 \times V_{DD}$	V
Input Voltage Mid	V_{IMM}		$0.45 \times V_{DD}$	—	$0.55 \times V_{DD}$	V
Input Voltage High	V_{IHH}		$0.85 \times V_{DD}$	—	—	V
Input Low Current	I_{ILL}^2		-20	—	—	μA
Input Mid Current	I_{IMM}^2		-2	—	2	μA
Input High Current	I_{IHH}^2		—	—	20	μA
Notes:						
1. LVPECL outputs require $V_{DD} \geq 2.25 \text{ V}$.						
2. This is the amount of leakage that the 3L inputs can tolerate from an external driver. See Figure 3 on page 9. In most designs, an external resistor voltage divider is recommended.						
3. No overshoot or undershoot.						

Table 2. DC Characteristics (Continued)(V_{DD} = 1.8 ±5%, 2.5 ±10%, or 3.3 V ±10%, T_A = -40 to 85 °C)

Parameter	Symbol	Test Condition	Min	Typ	Max	Units
LVC MOS Output Pins						
Output Voltage Low	V _{OL}	I _O = 2 mA V _{DD} = 1.62 V	—	—	0.4	V
		I _O = 2 mA V _{DD} = 2.97 V	—	—	0.4	V
Output Voltage High	V _{OH}	I _O = -2 mA V _{DD} = 1.62 V	V _{DD} - 0.4	—	—	V
		I _O = -2 mA V _{DD} = 2.97 V	V _{DD} - 0.4	—	—	V
Single-Ended Reference Clock Input Pin XA (XB with cap to gnd)						
Input Resistance	XA _{RIN}	XTAL/RefCLK RATE[1:0] = LM, ML, MH, or HM	—	12	—	kΩ
Input Voltage Level Limits	XA _{VIN}		0	—	1.2	V
Input Voltage Swing	XA _{VPP}		0.5	—	1.2	V _{PP}
Differential Reference Clock Input Pins (XA/XB)						
Input Resistance	XA/XB _{RIN}	XTAL/RefCLK RATE[1:0] = LM, ML, MH, or HM	—	12	—	kΩ
Differential Input Voltage Level Limits	XA/XB _{VIN}		0	—	1.2	V
Input Voltage Swing	XA _{VPP} /XB _{VPP}		0.5	—	2.4	V _{PP}
Notes:						
1. LVPECL outputs require V _{DD} ≥ 2.25 V.						
2. This is the amount of leakage that the 3L inputs can tolerate from an external driver. See Figure 3 on page 9. In most designs, an external resistor voltage divider is recommended.						
3. No overshoot or undershoot.						

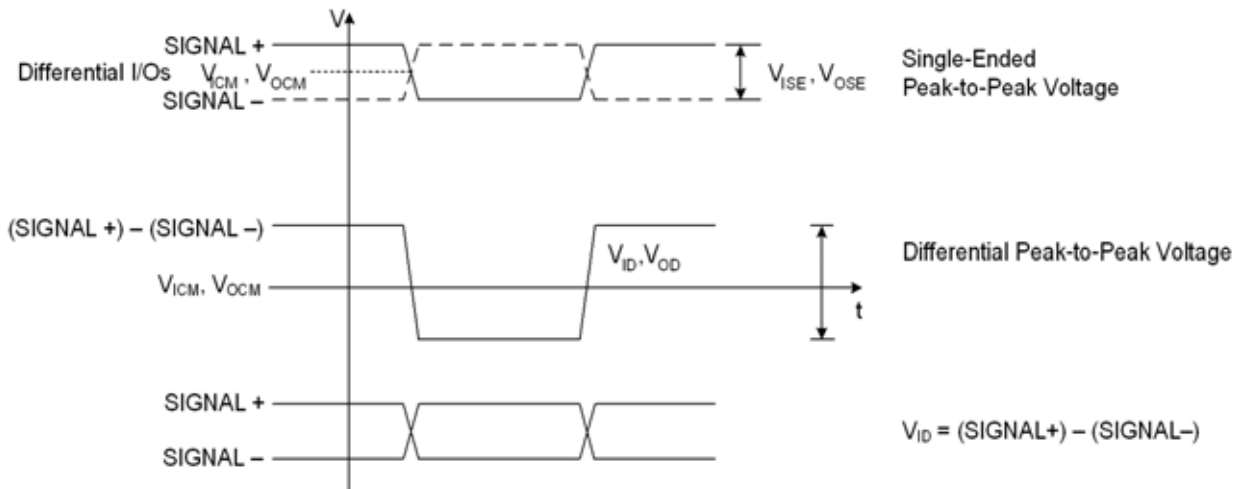


Figure 1. Voltage Characteristics

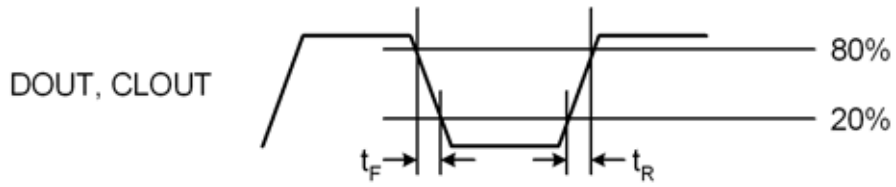


Figure 2. Rise/Fall Time Characteristics

1.1. Three-Level (3L) Input Pins (No External Resistors)

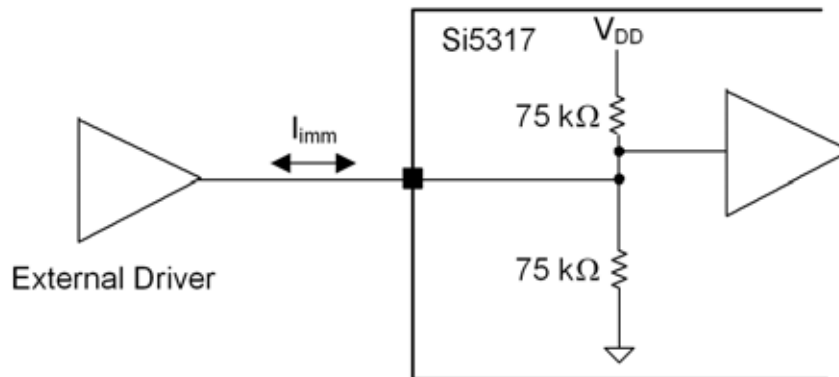
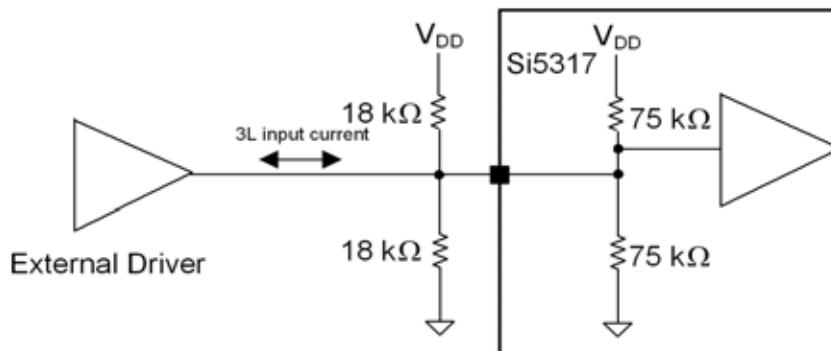


Figure 3. Three-Level Input Pins

1.2. Three-Level Input Pins (Example with External Resistors)



One of eight resistors from a Panasonic EXB-D10C183J (or similar) resistor pack

Figure 4. Three-Level Input Pins

Table 3. Three-Level Input Pins^{1,2,3,4}

Parameter	Min	Max
Input Low Current	-30 μ A	—
Input Mid Current	-11 μ A	-11 μ A
Input High Current	—	-30 μ A

Notes:

1. The current parameters are the amount of leakage that the 3L inputs can tolerate from an external driver using the external resistor values indicated in this example. In most designs, an external resistor voltage divider is recommended.
2. Resistor packs are only needed if the leakage current of the external driver exceeds the current specified in Table 2, I_{lim}. Any resistor pack may be used (e.g. Panasonic EXB-D10C183J). PCB layout is not critical.
3. If a pin is tied to ground or V_{DD}, no resistors are needed.
4. If a pin is left open (no connect), no resistors are needed.

Table 4. AC Characteristics $(V_{DD} = 1.8 \pm 5\%, 2.5 \pm 10\%, \text{ or } 3.3 \text{ V} \pm 10\%, T_A = -40 \text{ to } 85 \text{ }^\circ\text{C})$

Parameter	Symbol	Test Condition	Min	Typ	Max	Units
Input Frequency	CKN_F		1	—	711	MHz
CKIN Input Pins						
Input Duty Cycle (Minimum Pulse Width)	CKN_{DC}	Whichever is smaller	40	—	60	%
			2	—	—	ns
Input Capacitance	CKN_{CIN}		—	—	3	pF
Input Rise/Fall Time	CKN_{TRF}	20–80% See Figure 2	—	—	11	ns
CKOUT Output Pins						
Output Frequency (Output not configured for CMOS or disable)	CKO_F		1	—	711	MHz
Maximum Output Frequency in CMOS Format	CKO_{FMC}		1	—	212.5	MHz
Single-ended Output Rise/Fall (20–80%)	CKO_{TRF}	CMOS Output $V_{DD} = 1.62$ Load = 5 pF	—	—	8	ns
		CMOS Output $V_{DD} = 2.97$ Load = 5 pF	—	—	2	ns
Differential Output Rise/Fall Time	CKO_{TRF}	20 to 80 %, $f_{OUT} = 622.08$	—	230	350	ps
Output Duty Cycle Differential Uncertainty	CKO_{DC}	100 Ω Load Line to Line Measured at 50% Point (not for CMOS)	—	—	± 40	ps
LVC MOS Pins						
Input Capacitance	C_{IN}		—	—	3	pF

Table 4. AC Characteristics (Continued) $(V_{DD} = 1.8 \pm 5\%, 2.5 \pm 10\%, \text{ or } 3.3 \text{ V} \pm 10\%, T_A = -40 \text{ to } 85 \text{ }^\circ\text{C})$

Parameter	Symbol	Test Condition	Min	Typ	Max	Units
LVC MOS Output Pins						
Rise/Fall Times	t_{RF}	CLOAD = 20 pf See Figure 2	—	25	—	ns
LOS _n Trigger Window	LOS _{TRIG}	From last CKIN \uparrow to LOS \uparrow	—	—	750	μ s
Time to Clear LOL after LOS Cleared	t_{CLRLOL}	f_{in} unchanged and XA/XB stable. \downarrow LOS to \downarrow LOL	—	10	—	ms
PLL Performance						
Lock Time	t_{LOCKHW}	Whenever \overline{RST} , FRQTBL, RATE, BWSEL, or FRQSEL are changed, with valid CKIN to \downarrow LOL; BW = 100 Hz	—	—	1.2	sec
Closed Loop Jitter Peaking	J _{PK}		—	0.05	0.1	dB
Jitter Tolerance	J _{TOL}	BW determined by BWSEL[1:0]	5000/ BW	—	—	ns pk-pk
Minimum Reset Pulse Width	t_{RSTMIN}		1	—	—	μ s
Spurious Noise	SP _{SPUR}	Max spur @ $n \times f_3$ ($n \geq 1, n \times f_3 < 100 \text{ MHz}$)	—	-93	-70	dBc
Phase Change due to Temperature Variation	t_{TEMP}	Max phase changes from -40 to +85 $^\circ\text{C}$	—	300	500	ps

Table 5. Performance Specifications^{1, 2, 3, 4, 5} $(V_{DD} = 1.8 \pm 5\%, 2.5 \pm 10\%, \text{ or } 3.3 \text{ V} \pm 10\%, T_A = -40 \text{ to } 85 \text{ }^\circ\text{C})$

Parameter	Symbol	Test Condition	Min	Typ	Max	Unit
Jitter Generation $f_{IN} = f_{OUT} = 622.08 \text{ MHz}$, LVPECL output format BW = 120 Hz	J _{GEN}	50 kHz–80 MHz	—	0.32	0.42	ps rms
		12 kHz–20 MHz	—	0.31	0.41	ps rms
		800 Hz–80 MHz	—	0.4	0.45	ps rms
Phase Noise $f_{IN} = f_{OUT} = 622.08 \text{ MHz}$ LVPECL output format	CKO _{PN}	1 kHz offset	—	-106	-87	dBc/Hz
		10 kHz offset	—	-121	-100	dBc/Hz
		100 kHz offset	—	-132	-104	dBc/Hz
		1 MHz offset	—	-132	-119	dBc/Hz

Notes:

- BWSEL [1:0] loop bandwidth settings provided in Table 9 on page 22.
- 114.285 MHz 3rd OT crystal used as XA/XB input.
- $V_{DD} = 2.5 \text{ V}$
- $T_A = 85 \text{ }^\circ\text{C}$
- Test condition: $f_{IN} = 622.08 \text{ MHz}$, $f_{OUT} = 622.08 \text{ MHz}$, LVPECL clock input: 1.19 Vppd with 0.5 ns rise/fall time (20-80%), LVPECL clock output.

Table 6. Thermal Characteristics $(V_{DD} = 1.8 \pm 5\%, 2.5 \pm 10\%, \text{ or } 3.3 \text{ V} \pm 10\%, T_A = -40 \text{ to } 85 \text{ }^\circ\text{C})$

Parameter	Symbol	Test Condition	Min	Typ	Max	Unit
Thermal Resistance Junction to Ambient	θ_{JA}	Still Air	—	32	—	$^\circ\text{C/W}$
Thermal Resistance Junction to Case	θ_{JC}		—	14	—	$^\circ\text{C/W}$

Table 7. Absolute Maximum Limits

Parameter	Symbol	Value	Unit
DC Supply Voltage	V_{DD}	-0.5 to 3.8	V
LVC MOS Input Voltage	V_{DIG}	-0.3 to ($V_{DD} + 0.3$)	V
CKINn Voltage Level Limits	CKN_{VIN}	0 to V_{DD}	V
XA/XB Voltage Level Limits	XA_{VIN}	0 to 1.2	V
Operating Junction Temperature	T_{JCT}	-55 to 150	C
Storage Temperature Range	T_{STG}	-55 to 150	C
ESD HBM Tolerance (100 pF, 1.5 k Ω); All pins except CKIN+/CKIN-		2	kV
ESD MM Tolerance; All pins except CKIN+/CKIN-		150	V
ESD HBM Tolerance (100 pF, 1.5 k Ω); CKIN+/CKIN-		750	V
ESD MM Tolerance; CKIN+/CKIN-		100	V
Latch-Up Tolerance		JESD78 Compliant	
Note: Permanent device damage may occur if the Absolute Maximum Ratings are exceeded. Functional operation should be restricted to the conditions as specified in the operation sections of this data sheet. Exposure to absolute maximum rating conditions for extended periods of time may affect device reliability.			

2. Functional Description

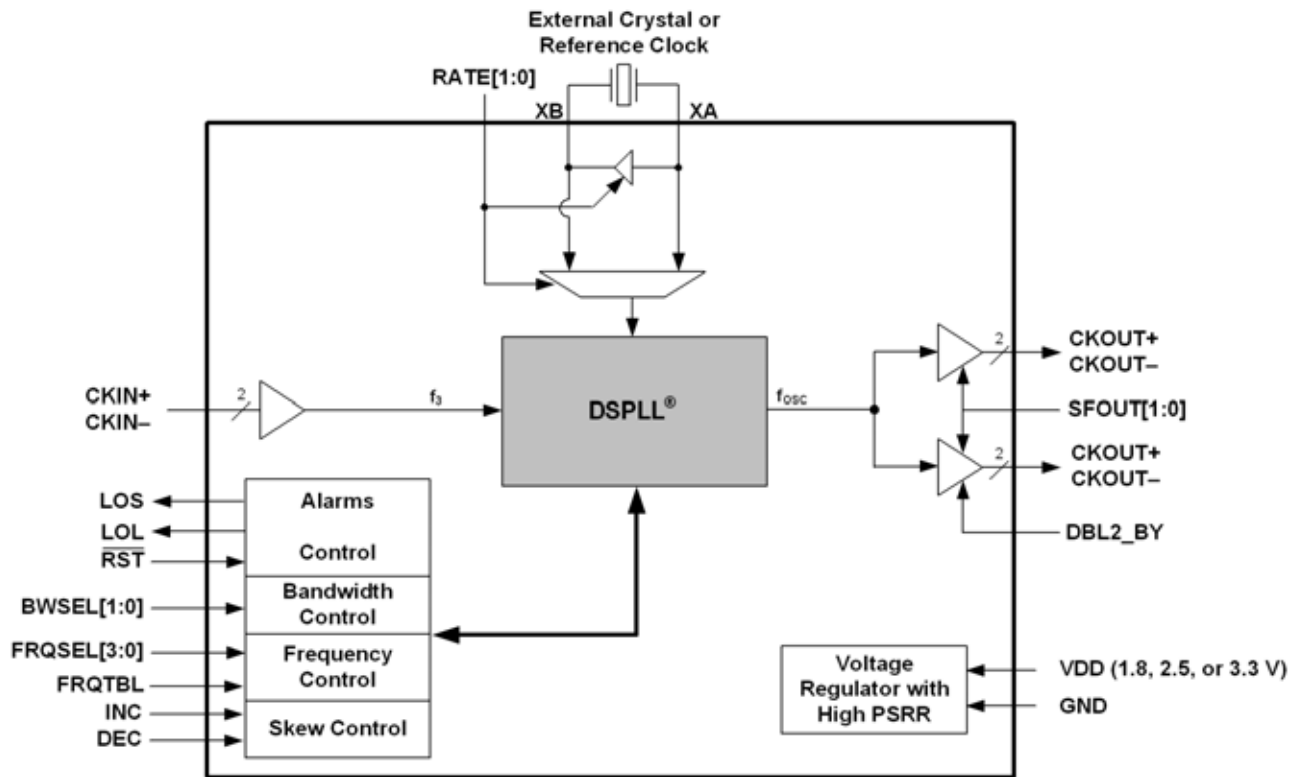


Figure 5. Detailed Block Diagram

2.1. Overview

The Si5317 is a 1:1 jitter-attenuating precision clock for applications requiring sub 1 ps jitter performance. The Si5317 accepts one clock input ranging from 1 to 711 MHz and generates two clock outputs at the same frequency ranging from 1 to 711 MHz. The Si5317 is based on Silicon Laboratories' 3rd-generation DSPLL® technology, which provides jitter attenuation on any frequency in a highly integrated PLL solution that eliminates the need for external VCXO and loop filter components. The nominal operating frequency is selectable from a look-up table. The Si5317 PLL loop bandwidth (BW) is selectable via the BWSEL[1:0] pins and supports a range from 60 Hz to 8.4 kHz.

The Si5317 monitors the input clock for loss-of-signal (LOS) and provides a LOS alarm when it detects missing pulses on the input clock. The device monitors the lock status of the DSPLL. The lock detect algorithm works by continuously monitoring the phase of the input clock in relation to the phase of the feedback clock.

The Si5317 provides a VCO freeze capability that allows the device to continue generation of a stable output clock when the selected input clock is lost. During VCO freeze, the DSPLL latches its VCO settings and uses its XA/XB clock as its frequency reference.

The Si5317 has two output clock drivers and can be configured as four single-ended or two differential outputs. The signal format of the clock output is selectable to support LVPECL, LVDS, CML, or CMOS loads. The device operates from a single 1.8, 2.5, or 3.3 V supply. The use of LVPECL requires a $VDD \geq 2.25$ V.

3. Frequency Plan Tables

For ease of use, the Si5317 is pin-controlled to enable simple device configuration of the frequency range plan and PLL loop bandwidth via a predefined look-up table. The DSPLL has been optimized for jitter performance and tunability for each frequency range and PLL loop bandwidth provided in Table 9 on page 22.

Many of the control inputs are three levels: High, Low, and Medium. High and Low are standard voltage levels determined by the supply pins: V_{DD} and Ground. If the input pin is left floating, it is driven to nominally half of V_{DD} . Effectively, this creates three logic levels for these controls. See section 6. "Power Supply Filtering" on page 33 and section 1.2. "Three-Level Input Pins (Example with External Resistors)" on page 9 for additional information.

3.1. Frequency Range Plan

The input to output clock frequency range is set by the 3-level FRQSEL[3:0] and FRQTBL pins. The CKIN and CKOUT is the same frequency range as specified in Table 8. Due to the wide tunability of the Si5317, each frequency plan provides overlap between adjacent settings. To select a frequency plan, the desired frequency should be selected as close to the defined center frequency. In certain cases where the desired frequency is exactly between two overlapping plans, either FRQTBL and FRQSEL setting can be used.

3.1.1. PLL Loop Bandwidth Plan

The Si5317's loop bandwidth ranges from 60 Hz to 8.4 kHz. For each frequency range, the corresponding loop bandwidth is provided in a simple look-up table (see Table 9 on page 22). The loop bandwidth is digitally programmable using the three-level BWSEL [1:0] input pins.

3.2. Output Skew Adjustment

The overall device skew (CKIN to CKOUTn phase delay) is adjustable via the INC and DEC input pins. A positive edge triggered pulse applied to the INC pin increases the device skew defined by Table 8, INC/DEC step size, for each given frequency plan. The identical operation on the DEC pin decreases the skew by the same amount. Using the INC and DEC pins, there is no limit to the range of skew adjustment that can be made. Following a powerup or reset, the overall device skew will revert to the reset value, although the input-to-output skew is effectively random. The rate of change for each INC/DEC operation is defined by the selected loop bandwidth, BWSEL[1:0].

Table 8. Look-up Tables for Fin = Fout Frequency Range and Loop Bandwidth Settings

Plan No	FRQTBL	FRQSEL [3:0]	Frequency Range (MHz)			BWSEL [1:0] (BW in Hz)						INC/DEC Phase Change (ns)
			Min	Center	Max	LH	ML	MM	MH	HL	HM	
0	L	LLLL	.95	1.00	1.05	—	3814	927	230	114	57	0.21
1	L	LLLM	1.00	1.05	1.10	—	3814	927	230	114	57	0.21
2	L	LLLH	1.05	1.10	1.15	—	3834	931	231	115	57	0.21
3	L	LLML	1.10	1.15	1.20	—	4052	983	244	121	60	0.21
4	L	LLMM	1.15	1.20	1.25	—	4251	1030	255	127	63	0.21
5	L	LLMH	1.20	1.25	1.30	—	4451	1078	267	133	66	0.21
6	L	LLHL	1.25	1.30	1.35	—	4652	1125	279	139	69	0.21
7	L	LLHM	1.30	1.35	1.40	—	4852	1172	290	145	72	0.21
8	L	LLHH	1.35	1.40	1.45	—	5054	1219	302	150	75	0.21
9	L	LMLL	1.40	1.45	1.50	—	5256	1267	314	156	78	0.21
10	L	LMLM	1.45	1.50	1.55	—	5256	1267	314	156	78	0.21
11	L	LMLH	1.50	1.55	1.60	—	5459	1314	325	162	81	0.21
12	L	LMML	1.55	1.60	1.65	—	5866	1409	349	174	87	0.21
13	L	LMMM	1.60	1.65	1.70	—	5866	1409	349	174	87	0.21
14	L	LMMH	1.65	1.70	1.75	—	6071	1457	360	180	89	0.21
15	L	LMHL	1.70	1.75	1.80	—	6276	1504	372	185	92	0.21
16	L	LMHM	1.75	1.80	1.85	—	6483	1552	384	191	95	0.21
17	L	LMHH	1.80	1.85	1.90	—	6688	1599	395	197	98	0.21
18	L	LHLL	1.85	1.90	1.95	—	6895	1647	407	203	101	0.21
19	L	LHLM	1.90	1.95	2.00	4696	2285	560	139	69	—	0.21
20	L	LHLH	1.95	2.00	2.10	4832	2350	575	143	71	—	0.21
21	L	LHML	2.00	2.10	2.20	4967	2415	591	147	73	—	0.21
22	L	LHMM	2.10	2.20	2.30	5239	2544	622	154	77	—	0.21
23	L	LHMH	2.20	2.30	2.40	—	4052	983	244	121	60	0.21
24	L	LHHL	2.30	2.40	2.50	—	4251	1030	255	127	63	0.21
25	L	LHHM	2.40	2.50	2.60	—	4451	1078	267	133	66	0.21
26	L	LHHH	2.50	2.60	2.70	—	4651	1125	279	139	69	0.21
27	L	MLLL	2.60	2.70	2.80	—	4852	1172	290	145	72	0.20
28	L	MLLM	2.70	2.80	2.90	—	5054	1219	302	150	75	0.21
29	L	MLLH	2.80	2.90	3.00	—	5255	1267	314	156	78	0.20
30	L	MLML	2.90	3.00	3.10	—	5458	1314	325	162	81	0.20
31	L	MLMM	3.00	3.10	3.20	—	5859	1409	349	174	87	0.20
32	L	MLMH	3.10	3.20	3.30	—	5859	1409	349	174	87	0.20

Note: For BWSEL[1:0] settings LL, LM, HH are reserved.

Table 8. Look-up Tables for Fin = Fout Frequency Range and Loop Bandwidth Settings (Continued)

Plan No	FRQTBL	FRQSEL [3:0]	Frequency Range (MHz)			BWSEL [1:0] (BW in Hz)						INC/DEC Phase Change (ns)
			Min	Center	Max	LH	ML	MM	MH	HL	HM	
33	L	MLHL	3.20	3.30	3.40	—	6071	1457	360	180	89	0.21
34	L	MLHM	3.30	3.40	3.50	—	6071	1457	360	180	89	0.21
35	L	MLHH	3.40	3.50	3.60	—	6276	1504	372	185	92	0.21
36	L	MMLL	3.50	3.60	3.70	—	6483	1552	384	191	95	0.21
37	L	MMLM	3.60	3.70	3.80	—	6895	1647	407	203	101	0.21
38	L	MMLH	3.70	3.80	3.90	—	6895	1647	407	203	101	0.21
39	L	MMML	3.80	3.90	4.00	—	4650	1125	279	139	69	0.20
40	L	MMMM	3.90	4.00	4.20	—	4786	1156	286	143	71	0.21
41	L	MMMh	4.00	4.20	4.40	—	4919	1188	294	147	73	0.21
42	L	MMHL	4.20	4.40	4.60	—	5457	1314	325	162	81	0.20
43	L	MMHM	4.40	4.60	4.80	—	5457	1314	325	162	81	0.20
44	L	MMHH	4.60	4.80	5.00	—	5730	1378	341	170	85	0.21
45	L	MHLL	4.80	5.00	5.20	—	6268	1504	372	185	92	0.20
46	L	MHLM	5.00	5.20	5.40	—	6273	1504	372	185	92	0.20
47	L	MHLH	5.20	5.40	5.60	—	6550	1568	387	193	96	0.20
48	L	MHML	5.40	5.60	5.80	—	6823	1631	403	201	100	0.20
49	L	MHMM	5.60	5.80	6.00	—	6823	1631	403	201	100	0.20
50	L	MHMh	5.80	6.00	6.20	—	6333	3064	748	185	92	0.20
51	L	MHHL	6.00	6.20	6.40	—	6571	3176	774	192	96	0.20
52	L	MHHM	6.20	6.40	6.60	—	6811	3289	801	199	99	0.20
53	L	MHHH	6.40	6.60	6.80	—	6071	1457	360	180	89	0.21
54	L	HLLL	6.60	6.80	7.00	—	6534	1567	387	193	96	0.20
55	L	HLLM	6.80	7.00	7.20	—	6534	1567	387	193	96	0.20
56	L	HLLH	7.00	7.20	7.40	—	6483	1552	384	191	95	0.21
57	L	HLML	7.20	7.40	7.60	—	6686	1599	395	197	98	0.20
58	L	HLMM	7.40	7.60	7.80	—	6891	1647	407	203	101	0.20
59	L	HLMH	7.60	7.80	8.00	—	4648	1125	279	139	69	0.20
60	L	HLHL	7.80	8.00	8.40	—	4786	1156	286	143	71	0.21
61	L	HLHM	8.00	8.40	8.80	—	4919	1188	294	147	73	0.21
62	L	HLHH	8.40	8.80	9.00	—	6599	1580	391	195	97	0.20
63	L	HMLL	8.80	9.00	9.20	—	7080	1693	418	209	104	0.19
64	L	HMLM	9.00	9.20	9.60	—	7080	1693	418	209	104	0.19
65	L	HMLH	9.20	9.60	10.00	—	5727	1377	341	170	85	0.20
66	L	HMML	9.60	10.00	10.50	—	6003	1441	356	178	88	0.21

Note: For BWSEL[1:0] settings LL, LM, HH are reserved.

Table 8. Look-up Tables for Fin = Fout Frequency Range and Loop Bandwidth Settings (Continued)

Plan No	FRQTBL	FRQSEL [3:0]	Frequency Range (MHz)			BWSEL [1:0] (BW in Hz)						INC/DEC Phase Change (ns)
			Min	Center	Max	LH	ML	MM	MH	HL	HM	
67	L	HMMM	10.00	10.50	11.00	—	6273	1504	372	185	92	0.20
68	L	HMMH	10.50	11.00	11.50	—	6992	1672	413	206	103	0.20
69	L	HMHL	11.00	11.50	12.00	—	5866	1409	349	174	87	0.21
70	L	HMHM	11.50	12.00	12.50	—	6155	1477	365	182	91	0.20
71	L	HMHH	12.00	12.50	13.00	—	6446	1545	382	190	95	0.20
72	L	HHLL	12.50	13.00	13.50	—	7034	1680	415	207	103	0.20
73	L	HHLM	13.00	13.50	14.00	—	5408	1303	323	161	80	0.20
74	L	HHLH	13.50	14.00	14.50	—	5633	1356	336	167	83	0.20
75	L	HHML	14.00	14.50	15.00	—	5861	1409	349	174	87	0.20
76	L	HHMM	14.50	15.00	15.50	—	7383	1764	436	217	108	0.19
77	L	HHMH	15.00	15.50	16.00	—	6321	1515	374	187	93	0.21
78	L	HHHL	15.50	16.00	16.50	—	6321	1515	374	187	93	0.21
79	L	HHHM	16.00	16.50	17.00	—	6774	1620	400	200	99	0.20
80	L	HHHH	16.50	17.00	17.50	—	7230	1726	426	213	106	0.20
81	M	LLLL	17.00	17.50	18.00	—	4422	1071	265	132	66	0.21
82	M	LLLM	17.50	18.00	18.50	—	7342	1756	434	216	108	0.19
83	M	LLLH	18.00	18.50	19.00	—	7342	1756	434	216	108	0.19
84	M	LLML	18.50	19.00	19.50	—	7298	1742	430	214	107	0.20
85	M	LLMM	19.00	19.50	20.00	—	4995	1206	299	149	74	0.20
86	M	LLMH	19.50	20.00	21.00	—	7518	1796	444	221	110	0.19
87	M	LLHL	20.00	21.00	22.00	—	6208	1488	368	183	91	0.21
88	M	LLHM	21.00	22.00	23.00	—	7429	1777	439	219	109	0.18
89	M	LLHH	22.00	23.00	24.00	—	6155	1477	365	182	91	0.20
90	M	LMLL	23.00	24.00	25.00	—	6155	1477	365	182	91	0.20
91	M	LMLM	24.00	25.00	26.00	—	6739	1612	399	199	99	0.20
92	M	LMLH	25.26	26.00	27.00	—	7613	1816	449	224	111	0.19
93	M	LMML	26.00	27.00	28.00	—	6817	1631	403	201	100	0.20
94	M	LMMM	27.00	28.00	29.00	—	6817	1631	403	201	100	0.20
95	M	LMMH	28.00	29.00	30.00	—	7640	1821	450	224	112	0.20
96	M	LMHL	29.00	30.00	31.00	—	4941	1194	296	147	73	0.20
97	M	LMHM	30.31	31.00	32.00	—	7658	1827	451	225	112	0.19
98	M	LMHH	31.00	32.00	33.00	—	7658	1827	451	225	112	0.19
99	M	LHLL	32.00	33.00	34.00	—	6774	1620	400	200	99	0.20
100	M	LHLM	33.00	34.00	35.00	—	6774	1620	400	200	99	0.20

Note: For BWSEL[1:0] settings LL, LM, HH are reserved.

Table 8. Look-up Tables for Fin = Fout Frequency Range and Loop Bandwidth Settings (Continued)

Plan No	FRQTBL	FRQSEL [3:0]	Frequency Range (MHz)			BWSEL [1:0] (BW in Hz)						INC/DEC Phase Change (ns)
			Min	Center	Max	LH	ML	MM	MH	HL	HM	
101	M	LHLH	34.00	35.00	36.00	—	7692	1832	452	225	112	0.20
102	M	LHML	35.00	36.00	37.00	—	7680	1833	453	226	113	0.19
103	M	LHMM	36.00	37.00	38.00	—	7539	1803	446	222	111	0.18
104	M	LHMH	37.00	38.00	39.00	—	7658	1827	451	225	112	0.19
105	M	LHHL	38.00	39.00	40.00	—	7607	1818	449	224	112	0.18
106	M	LHHM	39.00	40.00	42.00	—	7607	1818	449	224	112	0.18
107	M	LHHH	40.00	42.00	44.00	—	5709	1373	340	169	84	0.21
108	M	MLLL	43.30	44.00	46.00	—	7653	1828	452	225	112	0.18
109	M	MLLM	44.00	46.00	48.00	—	7653	1828	452	225	112	0.18
110	M	MLLH	46.00	48.00	50.00	—	6155	1477	365	182	91	0.20
111	M	MLML	48.00	50.00	52.00	—	7630	1823	450	225	112	0.18
112	M	MLMM	50.52	52.00	54.00	—	7692	1832	452	225	112	0.20
113	M	MLMH	52.00	54.00	56.00	—	7880	1882	465	232	116	0.18
114	M	MLHL	54.00	56.00	58.00	—	6169	1481	366	183	91	0.20
115	M	MLHM	56.00	58.00	60.00	—	7664	1826	451	225	112	0.20
116	M	MLHH	58.00	60.00	60.00	—	7664	1826	451	225	112	0.20
117	M	MMLL	60.00	62.00	64.00	—	7882	1882	465	232	116	0.18
118	M	MMLM	62.00	64.00	66.00	—	7890	1883	465	232	116	0.18
119	M	MMLH	64.00	66.00	68.00	—	7878	1882	465	232	116	0.18
120	M	MMML	66.00	68.00	70.00	—	7878	1882	465	232	116	0.18
121	M	MMMM	68.00	70.00	70.88	—	6228	1494	369	184	92	0.20
122	M	MMMh	70.00	72.00	74.00	—	7888	1883	465	232	116	0.18
123	M	MMHL	72.00	74.00	76.00	—	7889	1883	465	232	116	0.18
124	M	MMHM	75.78	76.00	78.00	—	7917	1884	465	232	116	0.20
125	M	MMHH	76.00	78.00	80.00	—	7895	1883	465	232	116	0.19
126	M	MHLL	78.00	80.00	84.00	—	7895	1883	465	232	116	0.19
127	M	MHLM	80.00	84.00	88.00	—	6010	1445	357	178	89	0.20
128	M	MHLH	84.00	88.00	88.59	—	6010	1445	357	178	89	0.20
129	M	MHML	88.00	90.00	92.00	—	6329	1518	375	187	93	0.20
130	M	MHMM	90.00	92.00	96.00	—	7878	1882	465	232	116	0.18
131	M	MHMH	92.00	96.00	100.00	—	7795	1864	461	230	114	0.18
132	M	MHHL	96.00	100.00	105.00	—	7795	1864	461	230	114	0.18
133	M	MHHM	101.04	105.00	110.00	—	7903	1884	465	232	116	0.19
134	M	MHHH	105.00	110.00	115.00	—	7812	1866	461	230	115	0.18

Note: For BWSEL[1:0] settings LL, LM, HH are reserved.

Table 8. Look-up Tables for Fin = Fout Frequency Range and Loop Bandwidth Settings (Continued)

Plan No	FRQTBL	FRQSEL [3:0]	Frequency Range (MHz)			BWSEL [1:0] (BW in Hz)						INC/DEC Phase Change (ns)
			Min	Center	Max	LH	ML	MM	MH	HL	HM	
135	M	HLLL	110.00	115.00	118.13	—	6329	1518	375	187	93	0.20
136	M	HLLM	115.00	120.00	125.00	—	7820	1867	461	230	115	0.18
137	M	HLLH	120.00	125.00	130.00	—	7812	1868	462	230	115	0.18
138	M	HLML	125.00	130.00	135.00	—	7878	1882	465	232	116	0.18
139	M	HLMM	130.00	135.00	140.00	—	6873	1648	408	203	101	0.19
140	M	HLMH	135.00	140.00	145.00	—	7851	1871	462	230	115	0.19
141	M	HLHL	140.00	145.00	150.00	—	7826	1870	462	230	115	0.18
142	M	HLHM	145.00	150.00	155.00	—	7240	1735	429	214	107	0.18
143	M	HLHH	151.56	155.00	160.00	—	7853	1872	462	230	115	0.19
144	M	HMLL	155.00	160.00	165.00	—	7890	1883	465	232	116	0.18
145	M	HMLM	160.00	165.00	170.00	—	7831	1871	462	231	115	0.18
146	M	HMLH	165.00	170.00	175.00	—	7831	1871	462	231	115	0.18
147	M	HMML	170.00	175.00	177.19	—	6912	1654	409	204	102	0.20
148	M	HMMM	175.00	180.00	185.00	—	7140	1710	423	211	105	0.19
149	M	HMMH	180.00	185.00	190.00	—	7846	1873	463	231	115	0.18
150	M	HMHL	185.00	190.00	195.00	—	7878	1882	465	232	116	0.18
151	M	HMHM	190.00	195.00	200.00	—	7878	1882	465	232	116	0.18
152	M	HMHM	195.00	200.00	202.50	—	6993	1673	414	206	103	0.19
153	M	HHLL	202.08	210.00	220.00	—	7903	1884	465	232	116	0.19
154	M	HHLM	210.00	220.00	230.00	—	7069	1689	417	208	104	0.20
155	M	HHLH	220.45	230.00	240.00	—	7903	1884	465	232	116	0.19
156	M	HHML	230.00	240.00	250.00	—	7507	1793	443	221	110	0.19
157	M	HHMM	242.50	250.00	260.00	—	7910	1884	465	232	116	0.19
158	M	HHMH	250.00	260.00	270.00	—	7878	1882	465	232	116	0.18
159	M	HHHL	260.00	270.00	280.00	—	7429	1776	439	219	109	0.19
160	M	HHHM	270.00	280.00	290.00	—	7908	1884	465	232	116	0.19
161	M	HHHH	280.00	290.00	300.00	—	7879	1882	465	232	116	0.18
162	H	LLLL	290.00	300.00	310.00	—	7571	1811	448	223	111	0.18
163	H	LLLM	303.13	310.00	320.00	—	7903	1884	465	232	116	0.19
164	H	LLLH	310.00	320.00	330.00	—	7890	1883	465	232	116	0.18
165	H	LLML	320.00	330.00	340.00	—	7878	1882	465	232	116	0.18
166	H	LLMM	330.00	340.00	350.00	—	7878	1882	465	232	116	0.18
167	H	LLMH	340.00	350.00	354.38	—	7344	1757	434	217	108	0.18

Note: For BWSEL[1:0] settings LL, LM, HH are reserved.

Table 8. Look-up Tables for Fin = Fout Frequency Range and Loop Bandwidth Settings (Continued)

Plan No	FRQTBL	FRQSEL [3:0]	Frequency Range (MHz)			BWSEL [1:0] (BW in Hz)						INC/DEC Phase Change (ns)
			Min	Center	Max	LH	ML	MM	MH	HL	HM	
168	H	LLHL	350.00	360.00	370.00	—	7900	1883	465	232	116	0.19
169	H	LLHM	360.00	370.00	380.00	—	7889	1883	465	232	116	0.18
170	H	LLHH	370.00	380.00	390.00	—	7878	1882	465	232	116	0.18
171	H	LMLL	380.00	390.00	400.00	—	7878	1882	465	232	116	0.18
172	H	LMLM	390.00	400.00	405.00	—	7755	1854	458	228	114	0.18
173	H	LMLH	404.17	420.00	440.00	—	7903	1884	465	232	116	0.19
174	H	LMML	420.00	440.00	460.00	—	7848	1874	463	231	115	0.18
175	H	LMMM	440.91	460.00	480.00	—	7903	1884	465	232	116	0.19
176	H	LMMH	460.00	480.00	500.00	—	7507	1793	443	221	110	0.19
177	H	LMHL	485.00	500.00	520.00	—	7910	1884	465	232	116	0.19
178	H	LMHM	500.00	520.00	540.00	—	7878	1882	465	232	116	0.18
179	H	LMHH	520.00	540.00	560.00	—	7704	1842	455	227	113	0.18
180	H	LHLL	540.00	560.00	580.00	—	7908	1884	465	232	116	0.19
181	H	LHLM	560.00	580.00	600.00	—	7879	1882	465	232	116	0.18
182	H	LHLH	580.00	600.00	620.00	—	7571	1811	448	223	111	0.18
183	H	LHML	606.25	620.00	640.00	—	7903	1884	465	232	116	0.19
184	H	LHMM	620.00	640.00	660.00	—	7890	1883	465	232	116	0.18
185	H	LHMH	640.00	660.00	680.00	—	7878	1882	465	232	116	0.18
186	H	LHHL	660.00	680.00	700.00	—	7878	1882	465	232	116	0.18
187	H	LHHM	680.00	700.00	704.00	—	7831	1871	462	231	115	0.18
188	H	LHHH	700.00	7.05	711.00	—	7908	1880	464	231	115	0.20

Note: For BWSEL[1:0] settings LL, LM, HH are reserved.

3.3. PLL Self-Calibration

An internal self-calibration (ICAL) is performed before operation to optimize loop parameters and jitter performance. While the self-calibration is being performed, the DSPLL is being internally controlled by the self-calibration state machine. The LOL alarm will be active during ICAL. The self-calibration time t_{LOCKHW} is given in Table 4, "AC Characteristics".

Any of the following events will trigger a self-calibration:

- Power-on-reset (POR)
- Release of the external reset pin \overline{RST} (transition of \overline{RST} from 0 to 1)
- Change in FRQSEL, FRQTBL, BWSEL, or RATE[1:0] pins
- Internal DSPLL registers out-of-range, indicating the need to relock the DSPLL

In any of the above cases, an ICAL will be initiated if a valid input clock exists with no input alarm. The external crystal or reference clock must also be present for the self-calibration to begin. If no valid input clock is present, the self-calibration state machine will wait until it appears, at which time the calibration will start.

After a successful ICAL has been performed with a valid input clock, no subsequent self-calibrations are performed unless one of the above conditions are met. If the input clock is lost following self-calibration, the device enters VCO freeze mode. When the input clock returns, the device relocks to the input clock without performing a self-calibration.

3.3.1. Input Clock Stability during Internal Self-Calibration

An exit from reset must occur when the selected CKIN clock is stable in frequency with a frequency value that is within the device operating range.

3.3.2. Self-Calibration caused by Changes in Input Frequency

If the selected CKIN frequency varies by 500 ppm or more within the frequency range defined by FRQSEL and FRQTBL since the last calibration, the device may initiate a self-calibration.

3.3.3. Device Reset

Upon powerup, the device internally executes a power-on-reset (POR) which resets the internal device logic. The pin \overline{RST} can also be used to initiate a reset. The device stays in this state until a valid CKINn is present, when it then performs a PLL self-calibration (refer to section 3.3. "PLL Self-Calibration").

3.3.4. Recommended Reset Guidelines

Follow the recommended RESET guidelines in Table 9 that describe when reset should be applied to a device.

Table 9. Si5317 Pins and Reset

Pin #	Si5317 Pin Name	Must Reset after Changing
2	FRQTBL	Yes
11	RATE0	Yes
15	RATE1	Yes
22	BWSEL0	Yes
23	BWSEL1	Yes
24	FRQSEL0	Yes
25	FRQSEL1	Yes
26	FRQSEL2	Yes
27	FRQSEL3	Yes

3.4. Alarms

Summary alarms are available to indicate the overall status of the input signals. Alarm outputs stay high until all the alarm conditions for that alarm output are cleared.

3.4.1. Loss-of-Signal

The device has loss-of-signal circuitry that continuously monitors CKIN for missing pulses.

An LOS condition on CKIN causes the LOS alarm to become active. Once a LOS alarm is asserted, it remains asserted until the input clock is validated over a designated time period. The time to clear LOS after a valid input clock appears is listed in Table 4, “AC Characteristics”. If another error condition on the same input clock is detected during the validation time, then the alarm remains asserted and the validation time starts over.

3.4.1.1. LOS Algorithm

The LOS circuitry divides down each input clock to produce an 8 kHz to 2 MHz signal. The LOS circuitry oversamples this divided down input clock using a 40 MHz clock to search for extended periods of time without input clock transitions. If the LOS monitor detects twice the normal number of samples without a clock edge, a LOS alarm is declared. Table 4, “AC Characteristics” gives the minimum and maximum amount of time for the LOS monitor to trigger.

3.4.1.2. Lock Detect

The PLL lock detection algorithm indicates the lock status on the LOL output pin. The algorithm works by continuously monitoring the phase of the input clock in relation to the phase of the feedback clock. If the time between two consecutive phase cycle slips is greater than the retrigger time, the PLL is in lock. The LOL output has a guaranteed minimum pulse width as shown in Table 4, “AC Characteristics”. The LOL pin is also held in the active state during an internal PLL calibration. The retrigger time is automatically set based on the PLL closed loop bandwidth (see Table 10).

Table 10. Lock Detect Retrigger Time

PLL Bandwidth Setting (BW)	Retrigger Time (ms)
60–120 Hz	53
120–240 Hz	26.5
240–480 Hz	13.3
480–960 Hz	6.6
960–1920 Hz	3.3
1920–3840 Hz	1.66
3840–7680 Hz	0.833

3.5. VCO Freeze

The Si5317 device features a VCO freeze mode whereby the DSPLL is locked to a frequency value.

If an LOS condition exists on the selected input clock, the device freezes the VCO. In this mode, the device provides a stable output frequency until the input clock returns and is validated. When the device enters VCO freeze, the internal oscillator is initially held to its last frequency value.

3.5.1. Recovery from VCO Freeze

When the input clock signal returns, the device transitions from VCO freeze to the selected input clock.

3.6. PLL Bypass Mode

The Si5317 supports a PLL bypass mode in which the selected input clock is fed directly to both enabled output buffers, bypassing the DSPLL. Internally, the bypass path is implemented with high-speed signaling; however, this path is not a low jitter path and will result in significantly higher jitter on CKOUT. In PLL bypass mode, the input and output clocks will be at the same frequency. PLL bypass mode is useful as a debug tool. The DSBL2_BY pin is used to select the PLL Bypass Mode according to Table 11. Bypass mode is not supported for CMOS clock outputs.

Table 11. DSBL2/BYPASS Pin Settings

DSBL2/BYPASS	Function
L	CKOUT2 Enabled
M	CKOUT2 Disabled
H	PLL Bypass Mode w/ CKOUT2 Enabled

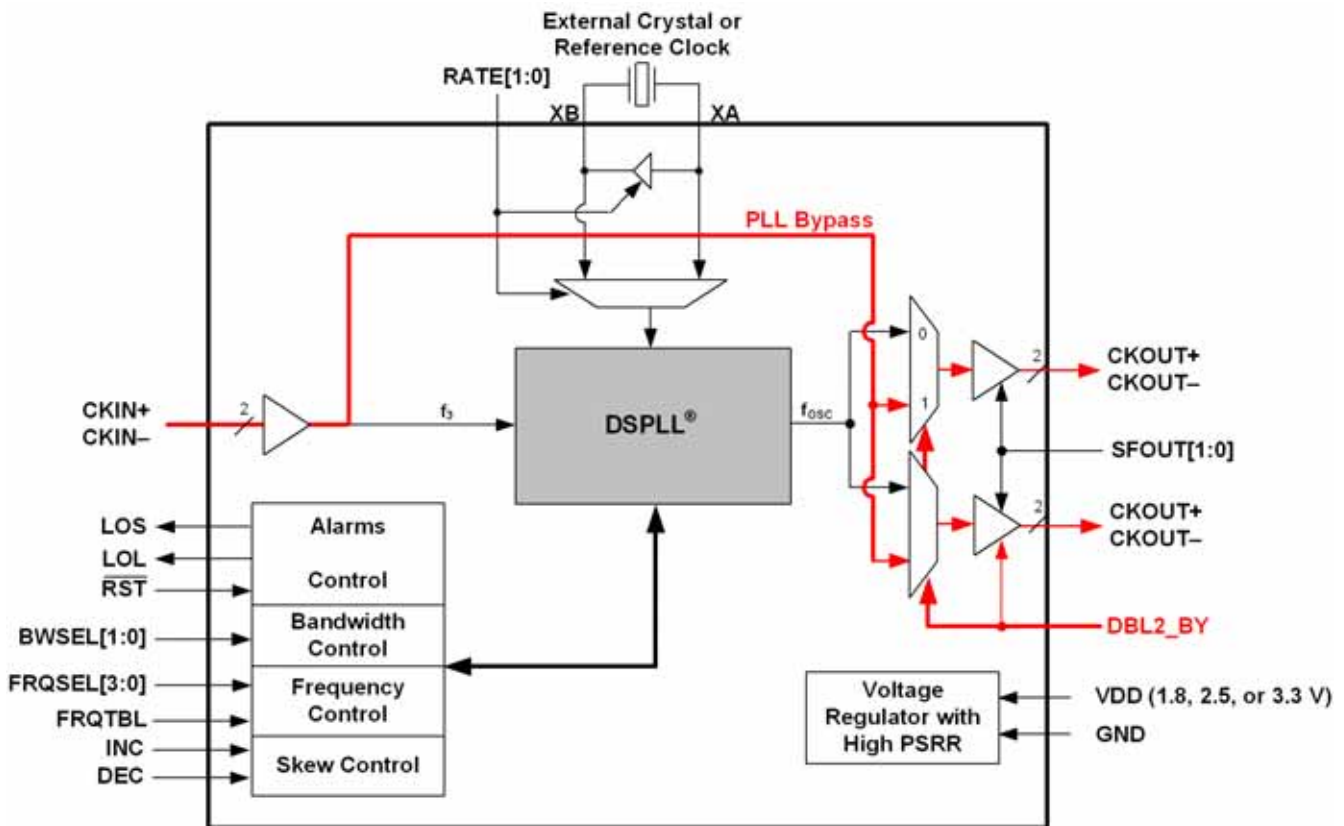


Figure 6. Bypass Signal

4. High-Speed I/O

4.1. Input Clock Buffer

The Si5317 provides differential inputs for the CKIN clock input. This input is internally biased to a common mode voltage (see Table 2, “DC Characteristics”) and can be driven by either a single-ended or differential source. No additional external bias is required. Figure 7 through Figure 10 show typical interface circuits for LVPECL, CML, LVDS, or CMOS input clocks. Note that the jitter generation improves for higher levels on CKINn within the limits in Table 4, “AC Characteristics”.

AC coupling the input clocks is recommended because it removes any issue with common mode input voltages. DC coupling is acceptable if the device driving the Si5317 meets all of the input clock requirements, including the input common mode range and the peak-to-peak swing specifications. Figure 7 and Figure 8 shows various examples of different input termination arrangements. Unused inputs can be left unconnected.

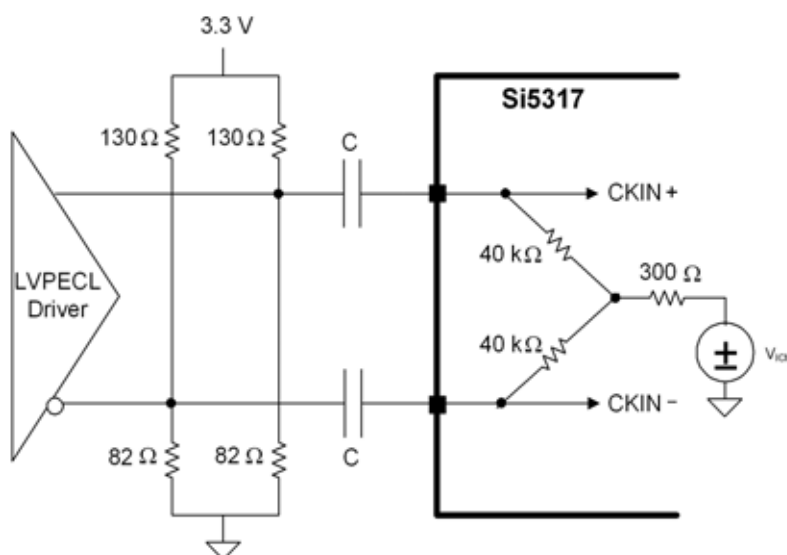


Figure 7. Differential LVPECL Termination

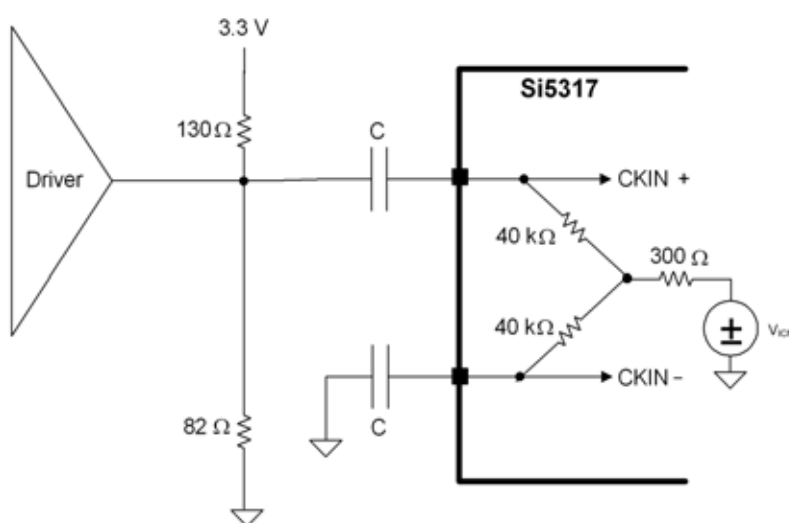


Figure 8. Single-ended LVPECL Termination

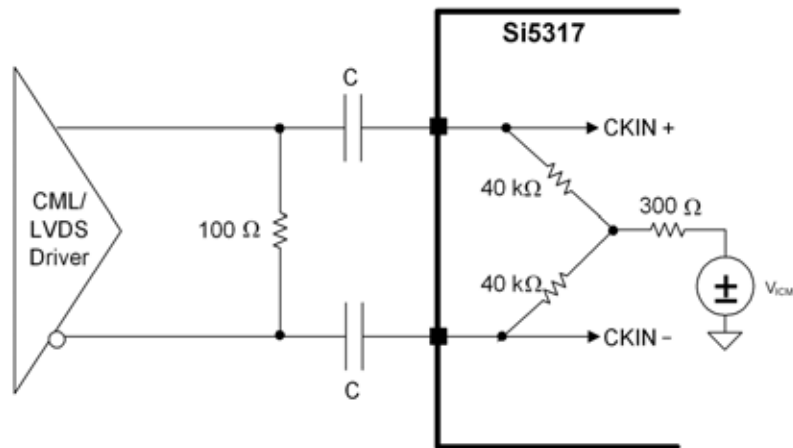
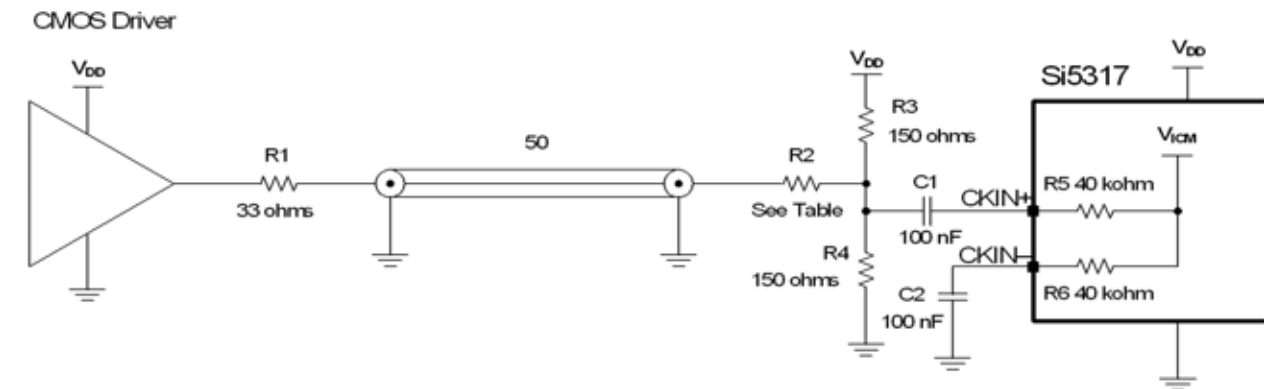


Figure 9. CML/LVDS Termination (1.8, 2.5, 3.3 V)



V_{DD} R2 Notes

3.3 V	100 ohm	Locate R1 near CMOS driver
2.5 V	49.9 ohm	Locate other components near Si5317
1.8 V	14.7 ohm	Recalculate resistor values for other drive strengths

Additional Notes:

1. Attenuation circuit limits overshoot and undershoot.
2. Not to be used with non-square wave input clocks.

Figure 10. CMOS Termination with Attenuation and AC-Coupling (1.8, 2.5, 3.3 V)

4.2. Output Clock Driver

The Si5317 has a flexible output driver structure that can drive a variety of loads, including LVPECL, LVDS, CML, and CMOS formats. The signal format is selected for CKOUT output using the SFOUT [1:0] pins. This modifies the output common mode and differential signal swing. See Table 2, “DC Characteristics” for output driver specifications. The SFOUT [1:0] pins are three-level input pins with the states designated as L (ground), M ($V_{DD}/2$), and H (V_{DD}). Table 12 shows the signal formats based on the supply voltage and the type of load being driven. When SFOUT = LH for CMOS, bypass mode is not supported.

Table 12. Output Signal Format Selection (SFOUT)

SFOUT[1:0]	Signal Format
HL	CML
HM	LVDS
LH	CMOS
LM	Disabled
MH	LVPECL
ML	Low-swing LVDS
All Others	Reserved

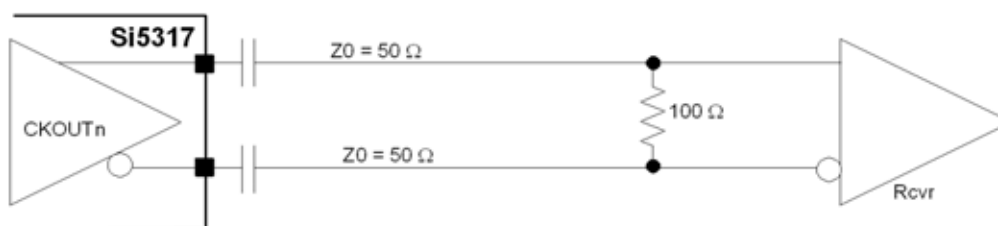


Figure 11. Typical Differential Output Circuit

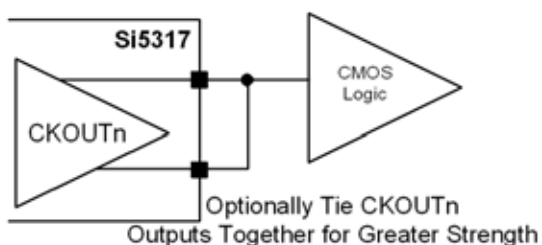


Figure 12. Typical CMOS Output Circuit (Tie CKOUTn+ and CKOUTn- Together)

For the CMOS setting (SFOUT = LH), both output pins drive single-ended in-phase signals and should be externally shorted together to obtain the drive strength specified in Table 2, “DC Characteristics”.

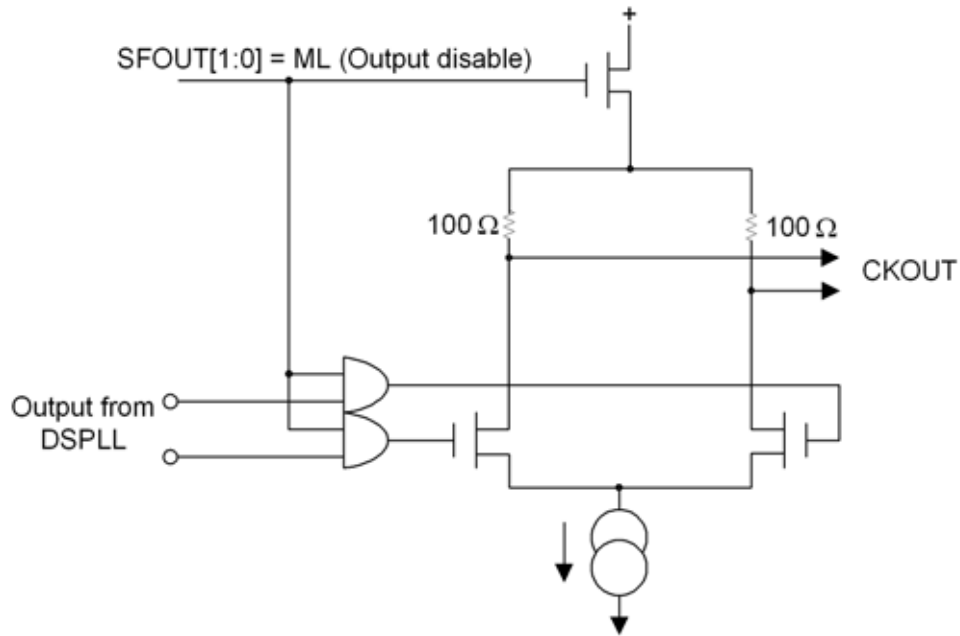
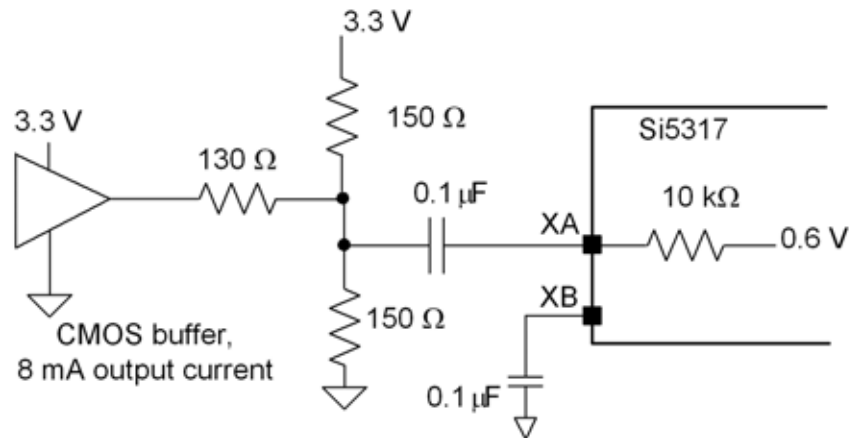


Figure 13. Disable CKOUT Structure

The SFOUT [1:0] pins can also be used to disable both outputs. Disabling the output puts the CKOUT+ and CKOUT- pins in a high-impedance state relative to V_{DD} (common mode tri-state) while the two outputs remain connected to each other through a $200\ \Omega$ on-chip resistance (differential impedance of $200\ \Omega$). The maximum amount of internal circuitry is powered down, minimizing power consumption and noise generation (see Figure 13). Recovery from the disable mode requires additional time as specified in Table 4, “AC Characteristics”.

5. Crystal/Reference Clock Input

The device can use an external crystal or external clock as a reference. If an external clock is used, it must be ac coupled. With appropriate buffers, the same external reference clock can be applied to CKIN. Although the reference clock input can be driven single ended (See Figure 14), the best performance is with a crystal or differential clock source.



For 2.5 V operation, change 130 Ω to 82 Ω .

Figure 14. CMOS External Reference Circuit

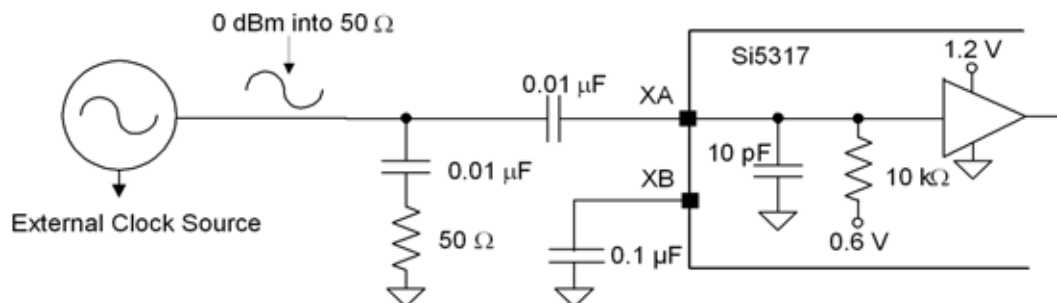


Figure 15. Sinewave External Reference Clock Input Example

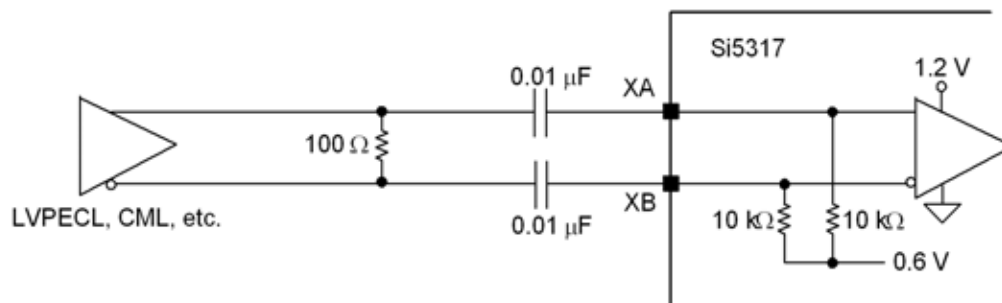


Figure 16. Differential External Reference Clock Input Example

5.1. Crystal/Reference Clock Selection

An external low-jitter clock or a low-cost crystal is used as part of a fixed-frequency oscillator within the DSPLL. This external clock is required for the device to perform jitter attenuation. Silicon Laboratories recommends using a high-quality crystal.

In VCO freeze, the DSPLL remains locked to this external clock. Any changes in the frequency of this clock when the DSPLL is in VCO freeze will be tracked by the output of the device. Note that crystals can have temperature sensitivities. See “AN591: Crystal Selection for the Si5315 and Si5317” for a list of approved crystals for the Si5317 and guidance in their selection. AN591 can be downloaded from the Silicon Labs web site: www.silabs.com.

Table 13. XA/XB Reference Sources and Frequencies

RATE[1:0]	Type	Recommended	Lower limit	Upper limit
HH	Reserved	—	—	—
HM	Reserved	—	—	—
HL	Reserved	—	—	—
MH	External clock	114.285 MHz	109 MHz	125.5 MHz
MM	3rd overtone crystal*	114.285 MHz	—	—
ML	Reserved	—	—	—
LH	Reserved	—	—	—
LM	External clock	38.88 MHz	37 MHz	41 MHz
LL	Fundamental mode crystal*	—	—	—

***Note:** See “AN591: Crystal Selection for the Si5315 and Si5317.”

Because the crystal is used as a jitter reference, rapid changes of the crystal temperature can temporarily disturb the output phase and frequency. For example, it is recommended that the crystal not be placed close to a fan that is being turned off and on. If a situation such as this is unavoidable, the crystal should be thermally isolated with an insulating cover.

5.1.1. XA/XB Clock Drift

During VCO freeze, long-term and temperature-related drift of the XA/XB clock input results in a one-to-one drift of the output frequency. The stability of the any frequency output is identical to the drift of the XA/XB frequency. This means that for the most demanding applications where the drift of a crystal is not acceptable, an external temperature-compensated or ovenized oscillator will be required. Drift is not an issue unless the part is in VCO freeze. Also, the initial accuracy of the XA/XB oscillator (or crystal) is not relevant.

5.1.2. XA/XB Jitter

Jitter on the XA/XB input has a roughly one-to-one transfer function to the output jitter over the bandwidth ranging from 100 Hz up to 30 kHz. If a crystal is used on the XA/XB pins, this will have low jitter if a suitable crystal is in use. If the XA/XB pins are connected to an external oscillator, the jitter of the external oscillator may contribute significantly to the output jitter.

5.1.3. Jitter Attenuation Performance

The internal VCO uses the XA/XB clock on the XA/XB pins as its reference for jitter attenuation. The XA/XB pins support either a crystal input or an input buffer single-ended or differential clock input, such that an external oscillator can become the reference source. In either case, the device accepts a wide margin in absolute frequency of the XA/XB input (refer to section 3.5.1. "Recovery from VCO Freeze" on page 23). In VCO freeze, the Si5317's output clock stability matches the clock supplied on the XA/XB pins. The external crystal or clock must be selected based on the stability requirements of the application if VCO freeze is a key requirement. However, care must be exercised in certain areas for optimum performance. For examples of connections to the XA/XB pins, refer to section 5. Figure 22, "Si5317 Typical Application Circuit," on page 35.

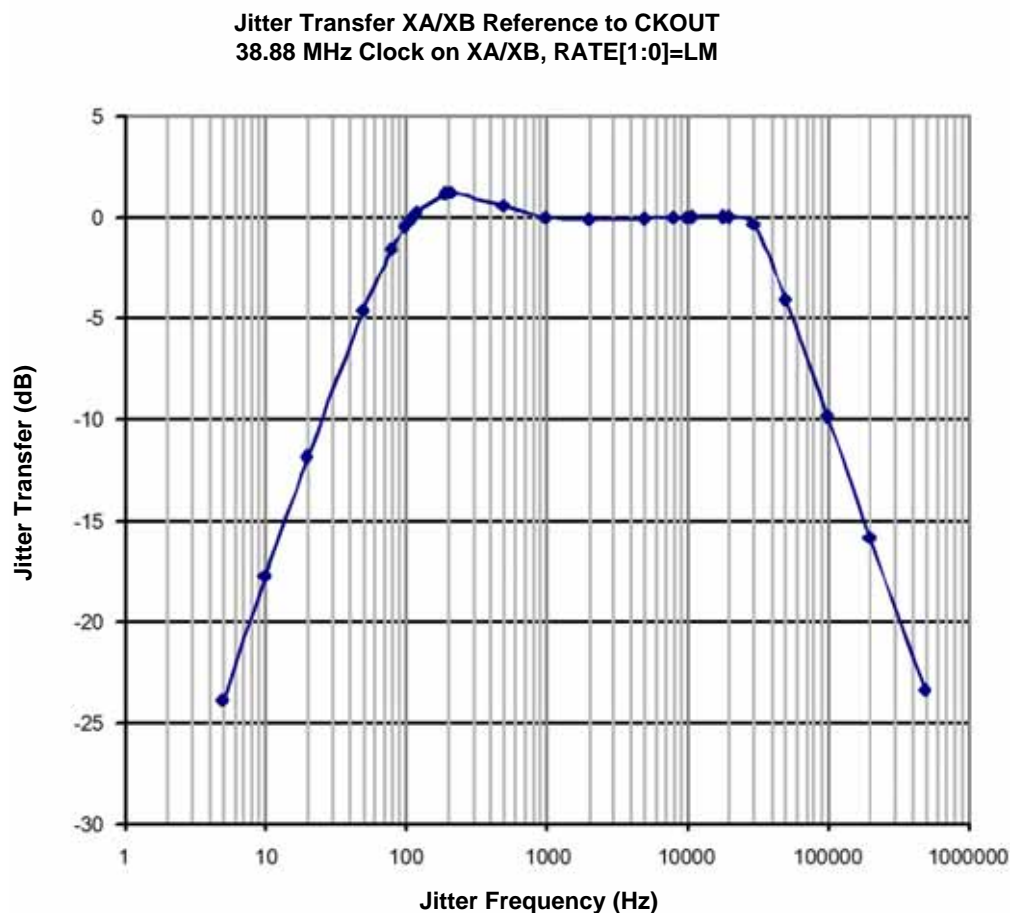


Figure 17. Typical XA-XB Jitter Transfer Function

5.1.4. Reference Clock Frequency

Based on the application and desired output frequency, care should be exercised in selecting the frequency on the reference used for XA/XB. When the CKOUT operating frequency is close to having a simple integer relationship, significant spurs can occur. For example, compare the spurs when the CKOUT operating frequency is 622.08 MHz with a reference of 114.285 MHz (see Figure 21) versus a reference frequency of 38.88 MHz, which is 16 times the XA/XB reference (see Figure 18).

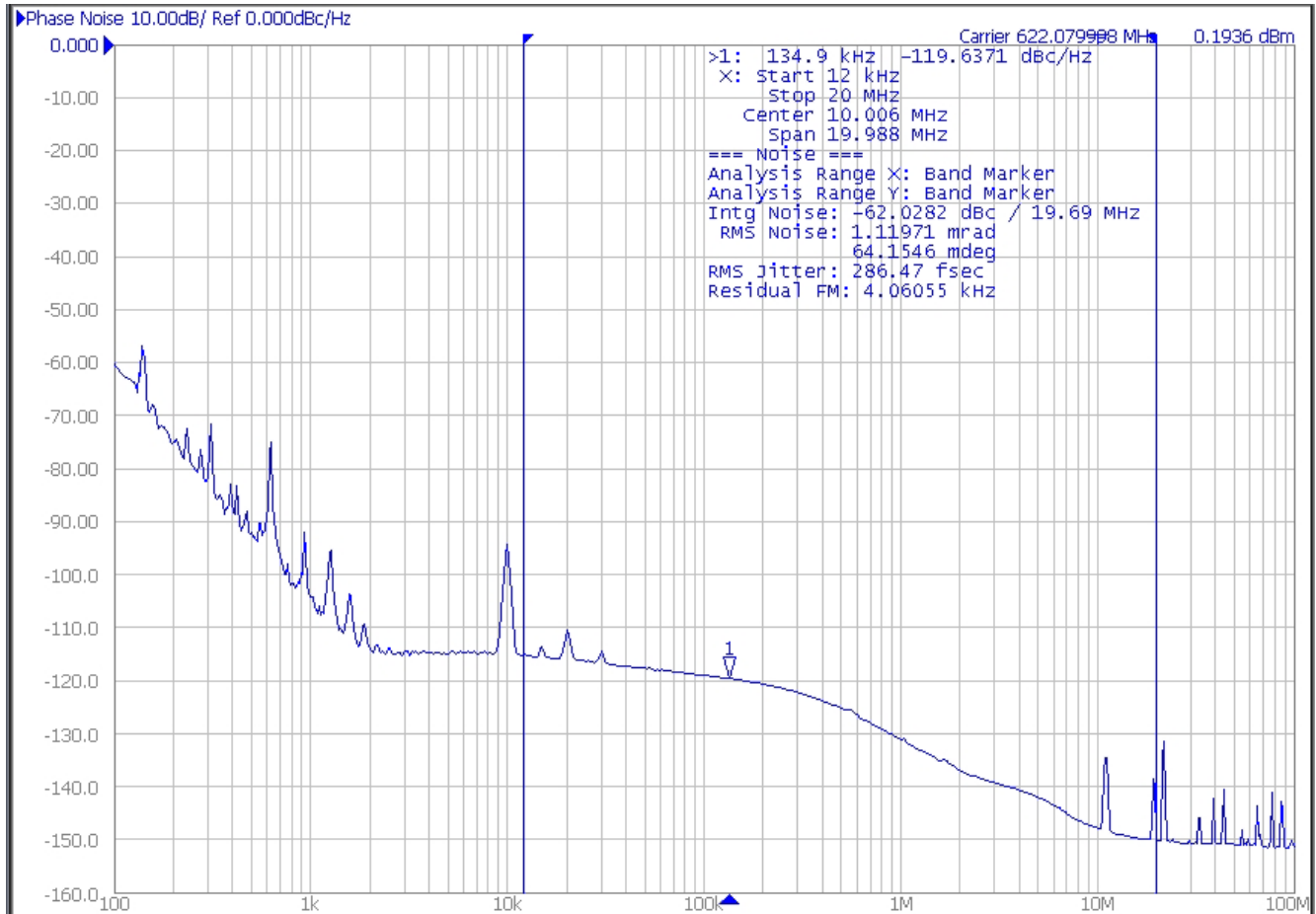


Figure 18. Effect of Reference Frequency on Spurs

6. Power Supply Filtering

This device incorporates an on-chip voltage regulator to power the device from supply voltages of 1.8, 2.5, or 3.3 V. Internal core circuitry is driven from the output of this regulator while I/O circuitry uses the external supply voltage directly. Table 4, "AC Characteristics" gives the sensitivity of the on-chip oscillator to changes in the supply voltage. The center ground pad under the device must be electrically and thermally connected to the ground plane. See Figure 25, "Ground Pad Recommended Layout," on page 42.

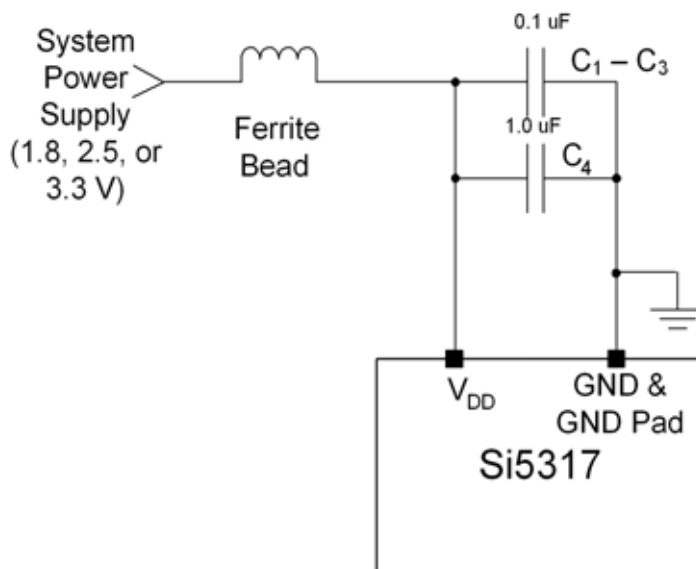


Figure 19. Typical Power Supply Bypass Network

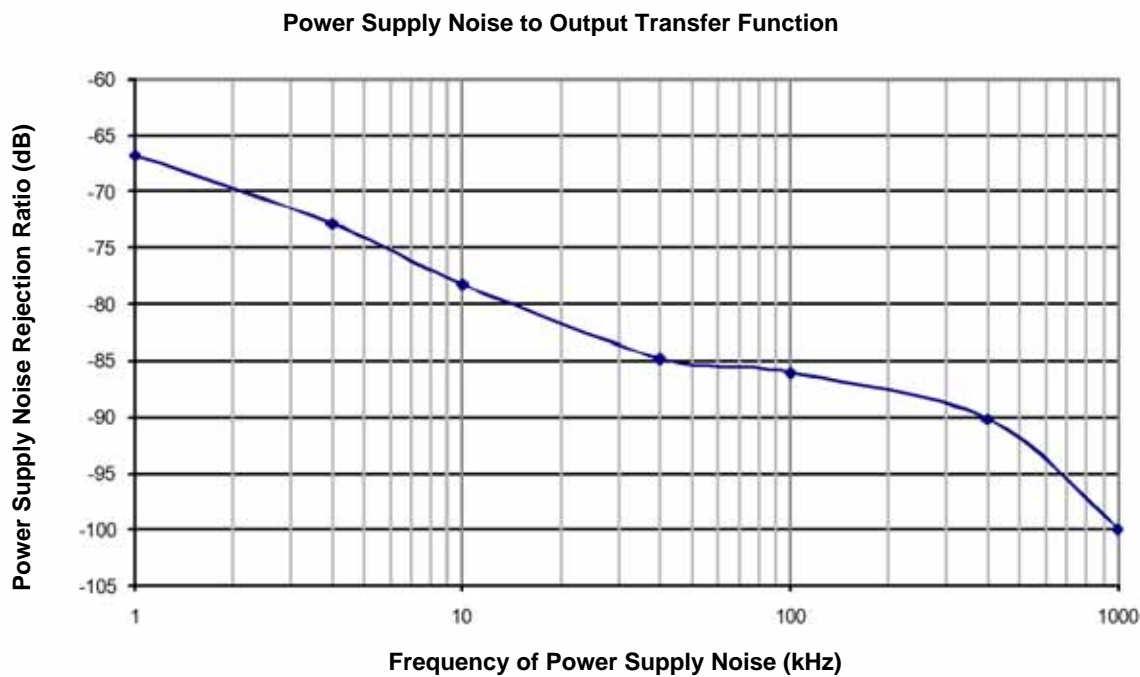


Figure 20. $F_{in} = F_{out} = 155$ MHz with 120 Hz Loop Bandwidth, 100 mV, pk-pk Supply Noise

7. Typical Phase Noise Plots

The following is a typical phase noise plot. The clock input source was a Rohde and Schwarz model SML03 RF Generator. The phase noise analyzer was an Agilent model E5052B. The Si5317 operates at 3.3 V with an ac coupled differential PECL output and an ac coupled differential sine wave input from the RF generator at 0 dBm. Note that, as with any PLL, the output jitter that is below the loop BW is caused by the jitter at the input clock. The loop BW was 120 Hz.

7.1. Example: SONET OC-192

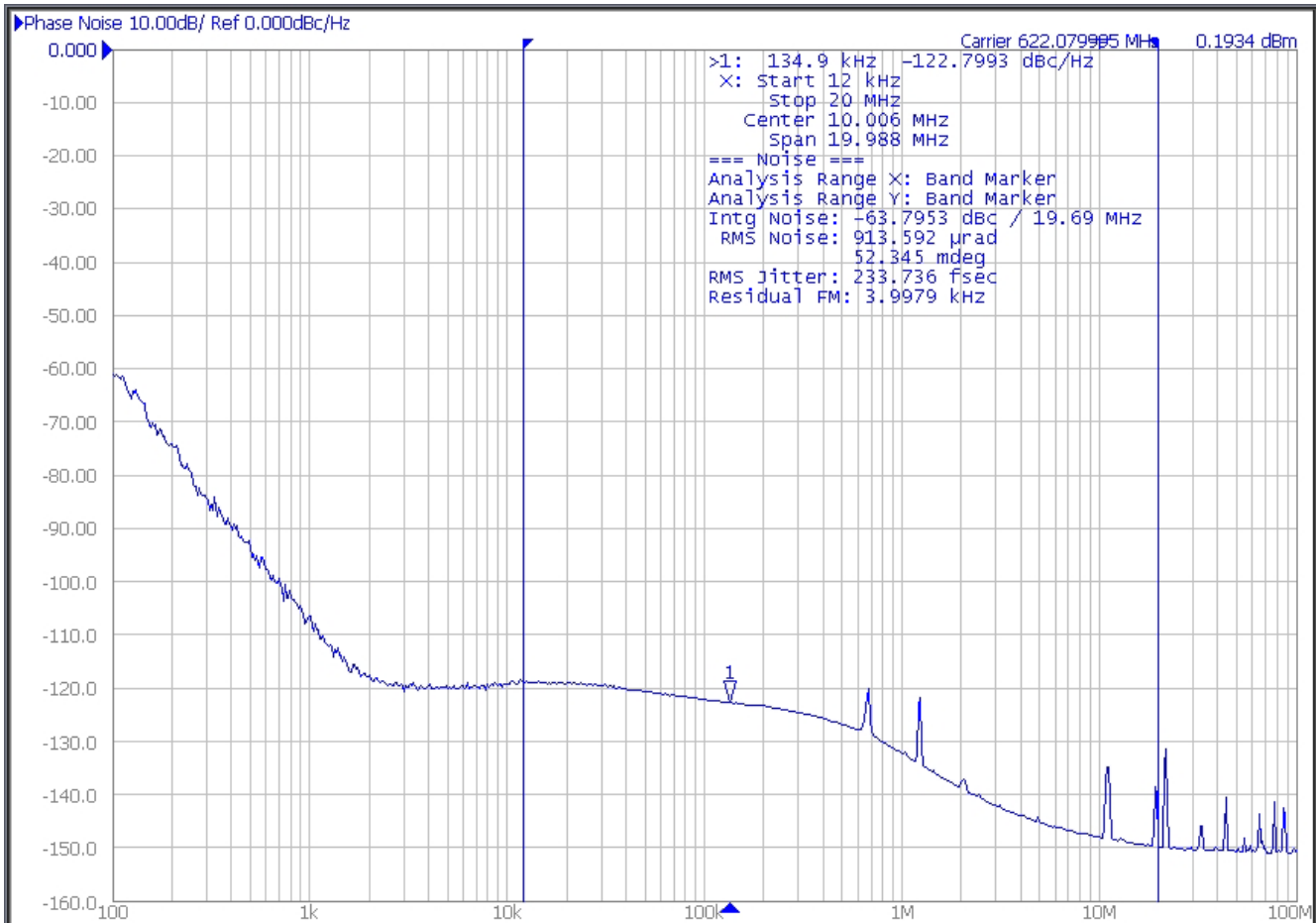


Figure 21. Typical Phase Noise Plot

Jitter Band	Jitter, RMS
SONET_OC48, 12 kHz to 20 MHz	250 fs
SONET_OC192_A, 20 kHz to 80 MHz	274 fs
SONET_OC192_B, 4 to 80 MHz	166 fs
SONET_OC192_C, 50 kHz to 80 MHz	267 fs
Brick Wall, 800 Hz to 80 MHz	274 fs

Note: SONET jitter bands include the SONET skirts. The phase noise plot is brick wall integration.

8. Typical Application Circuit

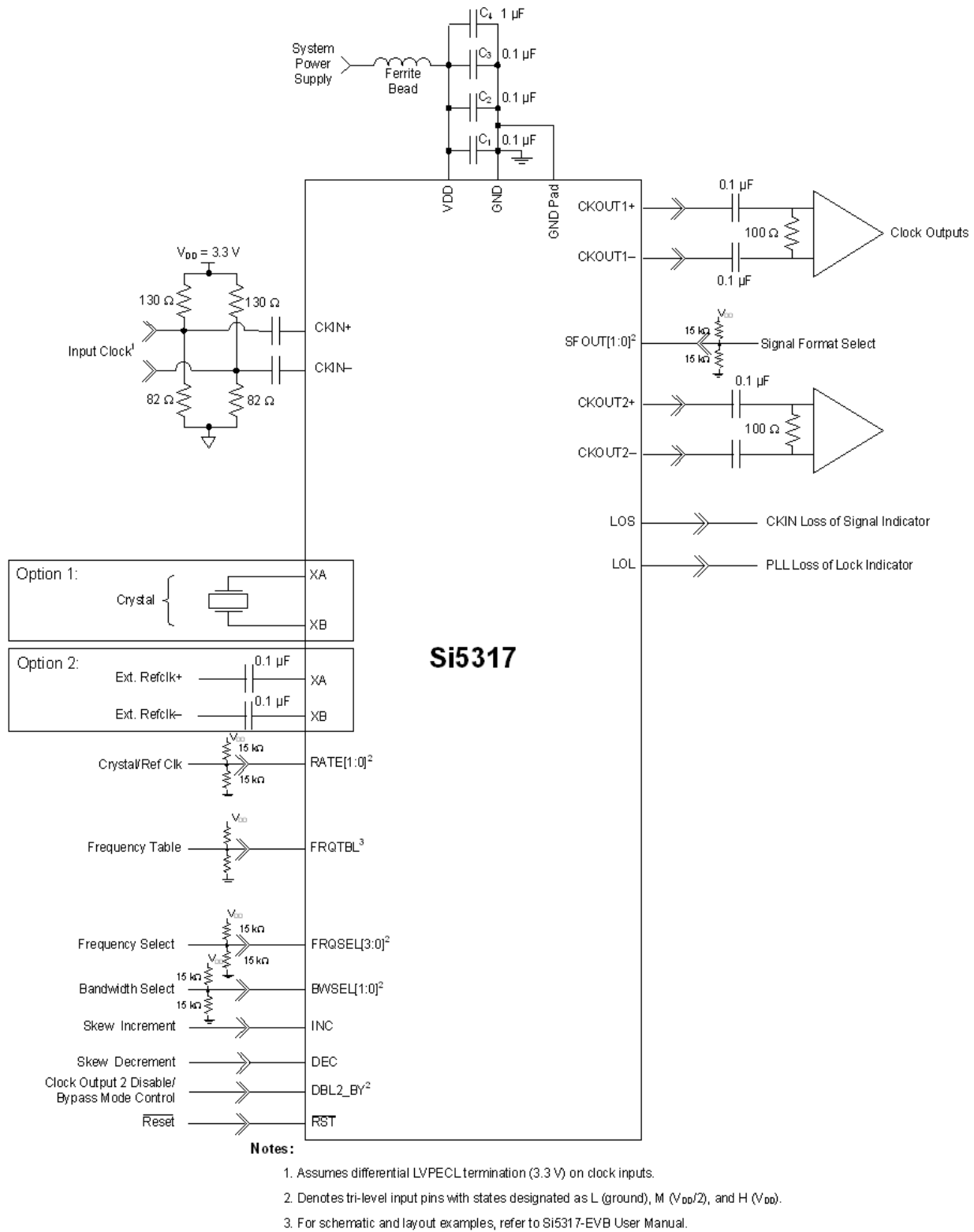
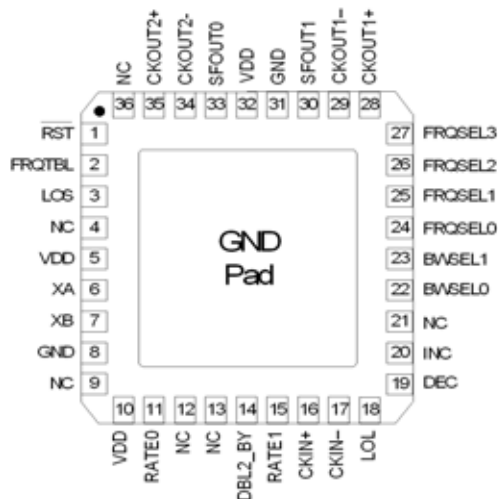


Figure 22. Si5317 Typical Application Circuit

9. Pin Descriptions: Si5317



Note: Pin assignments are preliminary and subject to change.

Table 14. Si5317 Pin Descriptions

Pin #	Pin Name	I/O	Signal Level	Description
1	$\overline{\text{RST}}$	I	LVC MOS	External Reset. Active low input that performs external hardware reset of device. Resets all internal logic to a known state. Clock outputs are tristated during reset. After rising edge of $\overline{\text{RST}}$ signal, the Si5317 will perform an internal self-calibration when a valid input signal is present. This pin has a weak pull-up.
2	FRQTBL	I	3-level	Frequency Table. Selects frequency table. This pin has a weak pull-up and weak pull-down and defaults to M. Some designs may require an external resistor voltage divider when driven by an active device that will tri-state.
3	LOS	O	LVC MOS	CKIN Loss of Signal. Active high loss-of-signal indicator for CKIN. Once triggered, the alarm will remain active until CKIN is validated. 0 = CKIN present 1 = LOS on CKIN
5, 10, 32	V_{DD}	V_{DD}	Supply	Supply. The device operates from a 1.8, 2.5, or 3.3 V supply. Bypass capacitors should be associated with the following V_{DD} pins: 5 0.1 μF 10 0.1 μF 32 0.1 μF A 1.0 μF should also be placed as close to device as is practical.

Table 14. Si5317 Pin Descriptions (Continued)

Pin #	Pin Name	I/O	Signal Level	Description
7 6	XB XA	I	Analog	External Crystal or Reference Clock. External crystal should be connected to these pins to use internal oscillator-based reference. Crystal or reference clock selection is set by the XTAL/CLOCK pin. See “AN591: Crystal Selection for the Si5315 and Si5317.”
8,31	GND	GND	Supply	Ground. Must be connected to system ground. Minimize the ground path impedance for optimal performance of this device.
11 15	RATE0 RATE1	I	3-Level	External Crystal or Reference Clock Rate. Note: See Table 13 for settings.
14	DBL2_BY	I	3-Level	Output 2 Disable/Bypass Mode Control. Controls enable of CKOUT2 divider/output buffer path and PLL bypass mode. L = CKOUT2 enabled M = CKOUT2 disabled H = Bypass mode with CKOUT2 enabled This pin has a weak pull-up and weak pull-down and defaults to M. Some designs may require an external resistor voltage divider when driven by an active device that will tri-state. Bypass mode is not supported for CMOS clock outputs.
16 17	CKIN+ CKIN-	I	Multi	Clock Input. Differential input clock. This input can also be driven with a single-ended signal. Input frequency selected from Table 9 on page 22.
18	LOL	O	LVC MOS	PLL Loss of Lock Indicator. This pin functions as the active high PLL loss of lock indicator. 0 = PLL locked 1 = PLL unlocked
19	DEC	I	LVC MOS	Skew Decrement. This edge-triggered pin decreases the input to output device skew. There is no limit on the range of skew adjustment by this method. Detailed operations and timing characteristics for this pin are found in Section 3.2, Table 8. This pin has a weak pull-down.
20	INC	I	LVC MOS	Skew Increment. This edge-triggered pin increases the input to output device skew. There is no limit on the range of skew adjustment by this method. Detailed operations and timing characteristics for this pin are found in Section 3.2, Table 8. This pin has a weak pull-down.

Table 14. Si5317 Pin Descriptions (Continued)

Pin #	Pin Name	I/O	Signal Level	Description																				
23 22	BWSEL1 BWSEL0	I	3-Level	<p>Loop Bandwidth Select.</p> <p>Three level inputs that select the DSPLL closed loop bandwidth. See Table 9 on page 22 for available settings. These pins have both weak pull-ups and weak pull-downs and default to M.</p> <p>Some designs may require an external resistor voltage divider when driven by an active device that will tri-state.</p>																				
27 26 25 24	FRQSEL3 FRQSEL2 FRQSEL1 FRQSEL0			<p>Frequency Select.</p> <p>Three level inputs that select the input clock and clock range. See Table 9 on page 22.</p> <p>These pins have both weak pull-ups and weak pull-downs and default to M.</p> <p>Some designs may require an external resistor voltage divider when driven by an active device that will tri-state.</p>																				
29 28	CKOUT1– CKOUT1+	O	Multi	<p>Clock Output 1.</p> <p>Output signal format is selected by SFOUT pins. Differential formats supported for LVPECL, LVDS, and CML compatible modes. For single-ended CMOS format, both output pins drive identical, in-phase clock outputs.</p>																				
33 30	SFOUT0 SFOUT1	I	3-Level	<p>Signal Format Select.</p> <p>Three-level inputs that select the output signal format (common mode voltage and differential swing) for both CKOUT1 and CKOUT2.</p> <table border="1" data-bbox="891 1079 1382 1528"> <thead> <tr> <th>SFOUT[1:0]</th> <th>Signal Format</th> </tr> </thead> <tbody> <tr> <td>HH</td> <td>Reserved</td> </tr> <tr> <td>HM</td> <td>LVDS</td> </tr> <tr> <td>HL</td> <td>CML</td> </tr> <tr> <td>MH</td> <td>LVPECL</td> </tr> <tr> <td>MM</td> <td>Reserved</td> </tr> <tr> <td>ML</td> <td>LVDS—Low Swing</td> </tr> <tr> <td>LH</td> <td>CMOS</td> </tr> <tr> <td>LM</td> <td>Disable</td> </tr> <tr> <td>LL</td> <td>Reserved</td> </tr> </tbody> </table> <p>These pins have both weak pull-ups and weak pull-downs and default to M.</p> <p>Some designs may require an external resistor voltage divider when driven by an active device that will tri-state.* CMOS outputs do not support bypass mode.</p>	SFOUT[1:0]	Signal Format	HH	Reserved	HM	LVDS	HL	CML	MH	LVPECL	MM	Reserved	ML	LVDS—Low Swing	LH	CMOS	LM	Disable	LL	Reserved
SFOUT[1:0]	Signal Format																							
HH	Reserved																							
HM	LVDS																							
HL	CML																							
MH	LVPECL																							
MM	Reserved																							
ML	LVDS—Low Swing																							
LH	CMOS																							
LM	Disable																							
LL	Reserved																							
34 35	CKOUT2– CKOUT2+	O	Multi	<p>Clock Output 2.</p> <p>Output signal format is selected by SFOUT pins. Differential formats supported for LVPECL, LVDS, and CML compatible modes. For single-ended CMOS format, both output pins drive identical, in-phase clock outputs.</p>																				

Table 14. Si5317 Pin Descriptions (Continued)

Pin #	Pin Name	I/O	Signal Level	Description
4,9,12,13, 21,36	NC	—	—	No Connect. Leave floating. Make no external connections to this pin for normal operation.
GND PAD	GND	GND	Supply	Ground Pad. The ground pad must provide a low thermal and electrical impedance to a ground plane.

***Note:** LVPECL requires VDD \geq 2.25 V

Table 15. Si5317 Pull-Up/-Down

Pin #	Si5317	Pull?
1	$\overline{\text{RST}}$	U
2	FRQTBL	U, D
11	RATE0	U, D
15	RATE1	U, D
19	DEC	D
20	INC	D
22	BWSEL0	U, D
23	BWSEL1	U, D
24	FRQSEL0	U, D
25	FRQSEL1	U, D
26	FRQSEL2	U, D
27	FRQSEL3	U, D
30	SFOUT1	U, D
33	SFOUT0	U, D

Si5317

10. Ordering Guide

Ordering Part Number	Output Clock Freq Range	Device Pkg	ROHS6, Pb-Free	Temp Range
Si5317A-C-GM	1–711 MHz	36-Lead 6 x 6 mm QFN	Yes	–40 to 85 °C
Si5317B-C-GM	1–350 MHz	36-Lead 6 x 6 mm QFN	Yes	–40 to 85 °C
Si5317C-C-GM	1–200 MHz	36-Lead 6 x 6 mm QFN	Yes	–40 to 85 °C
Si5317D-C-GM	1–100 MHz	36-Lead 6 x 6 mm QFN	Yes	–40 to 85 °C
Si5317-EVB	1–711 MHz	Evaluation Board		

Note: Add an “R” at the end of the device to denote tape and reel options (i.e., Si5317A-C-GMR).

11. Package Outline: 36-Pin QFN

Figure 23 illustrates the package details for the Si5317. Table 16 lists the values for the dimensions shown in the illustration.

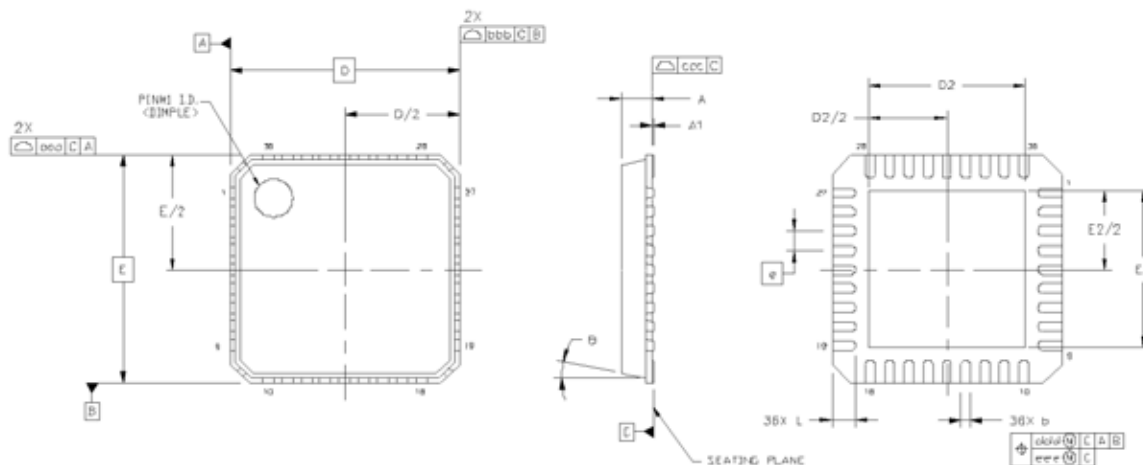


Figure 23. 36-Pin Quad Flat No-Lead (QFN)

Table 16. Package Dimensions

Symbol	Millimeters			Symbol	Millimeters		
	Min	Nom	Max		Min	Nom	Max
A	0.80	0.85	0.90	L	0.50	0.60	0.70
A1	0.00	0.02	0.05	θ	—	—	12°
b	0.18	0.25	0.30	aaa	—	—	0.10
D	6.00 BSC			bbb	—	—	0.10
D2	3.95	4.10	4.25	ccc	—	—	0.08
e	0.50 BSC			ddd	—	—	0.10
E	6.00 BSC			eee	—	—	0.05
E2	3.95	4.10	4.25				

Notes:

1. All dimensions shown are in millimeters (mm) unless otherwise noted.
2. Dimensioning and Tolerancing per ANSI Y14.5M-1994.
3. This drawing conforms to JEDEC outline MO-220, variation VJJD.
4. Recommended card reflow profile is per the JEDEC/IPC J-STD-020 specification for Small Body Components.

12. Recommended PCB Layout

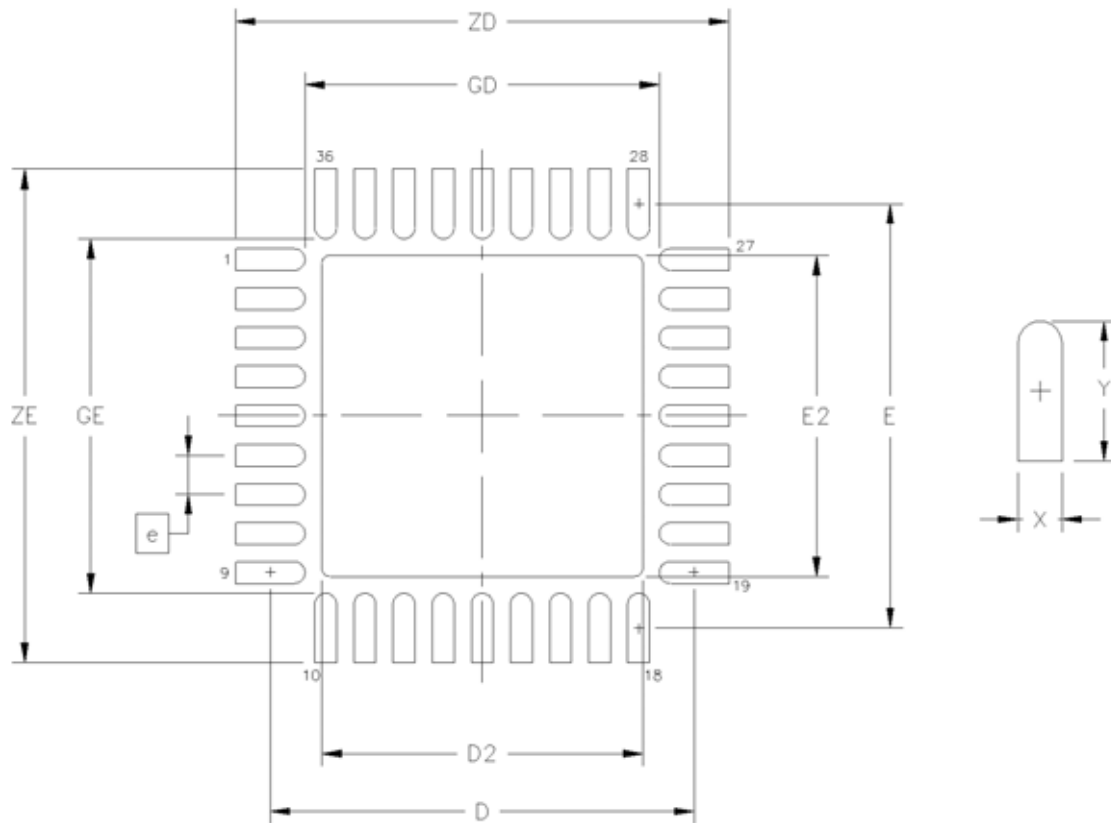


Figure 24. PCB Land Pattern Diagram

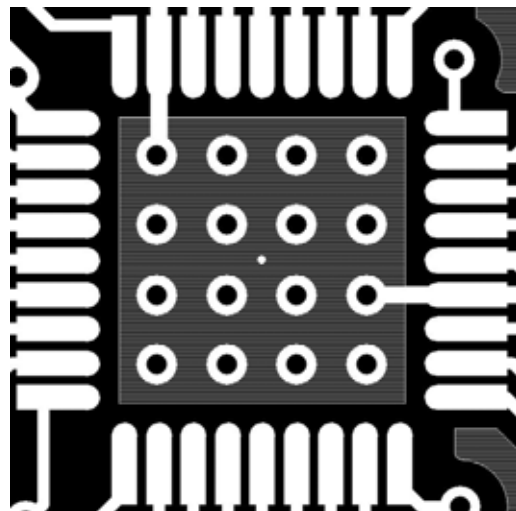


Figure 25. Ground Pad Recommended Layout

Table 17. PCB Land Pattern Dimensions

Dimension	MIN	MAX
e	0.50 BSC.	
E	5.42 REF.	
D	5.42 REF.	
E2	4.00	4.20
D2	4.00	4.20
GE	4.53	—
GD	4.53	—
X	—	0.28
Y	0.89 REF.	
ZE	—	6.31
ZD	—	6.31

Notes (General):

1. All dimensions shown are in millimeters (mm) unless otherwise noted.
2. Dimensioning and Tolerancing is per the ANSI Y14.5M-1994 specification.
3. This Land Pattern Design is based on IPC-SM-782 guidelines.
4. All dimensions shown are at Maximum Material Condition (MMC). Least Material Condition (LMC) is calculated based on a Fabrication Allowance of 0.05 mm.

Notes (Solder Mask Design):

1. All metal pads are to be non-solder mask defined (NSMD). Clearance between the solder mask and the metal pad is to be 60 μ m minimum, all the way around the pad.

Notes (Stencil Design):

1. A stainless steel, laser-cut and electro-polished stencil with trapezoidal walls should be used to assure good solder paste release.
2. The stencil thickness should be 0.125 mm (5 mils).
3. The ratio of stencil aperture to land pad size should be 1:1 for the perimeter pads.
4. A 4 x 4 array of 0.80 mm square openings on 1.05 mm pitch should be used for the center ground pad.

Notes (Card Assembly):

1. A No-Clean, Type-3 solder paste is recommended.
2. The recommended card reflow profile is per the JEDEC/IPC J-STD-020 specification for Small Body Components.

Si5317

13. Si5317 Device Top Mark



Mark Method:	Laser	
Font Size:	0.80 mm Right-Justified	
Line 1 Marking:	Si5317Q	Customer Part Number Q = Speed Code: A, B, C, D See Ordering Guide for options.
Line 2 Marking:	C-GM	C = Product Revision G = Temperature Range -40 to 85 °C (RoHS6) M = QFN Package
Line 3 Marking:	YYWWRF	YY = Year WW = Work Week R = Die Revision F = Internal code Assigned by the Assembly House. Corresponds to the year and work week of the mold date.
Line 4 Marking:	Pin 1 Identifier	Circle = 0.75 mm Diameter Lower-Left Justified
	XXXX	Internal Code

DOCUMENT CHANGE LIST

Revision 0.1 to Revision 0.15

- Updated corresponding sections and pinouts to add CKOUT2, INC/DEC, and DBL2_BY functionality.
- Updated functional block diagram on page 1.
- Updated Table 2 IDD (DD is subscript).
- Added Differential Rise/Fall Time spec to Table 2.
- Updated pin assignment symbol and pin description on page 1 and in section 9 to add CKOUT2, INC/DEC, and DBL2_BY.
- Added section 3.6. "PLL Bypass Mode".
- Updated section 8 diagram to add CKOUT2 and DBL2_BY.
- Added additional CMOS Termination with attenuation figure.
- Corrected pin name assignment (pin28) diagram on page 1 and section 9, page 35 to match pin description name.
- Updated all the frequency plans in Table 8 to provide coverage over the entire frequency range.

Revision 0.15 to Revision 0.2

- Updated bypass mode, ESD specifications and absolute max V_{DD} .
- Corrected INC/DEC pinout.

Revision 0.2 to Revision 1.0

- Removed Output Short to GND on page 5.
- Removed duplicate lock time specification on page 11.
- Removed Time to Clear LOS alarm on page 11.
- Revised spurious noise values.
- Revised phase noise values.

Revision 1.0 to Revision 1.1

- Increased the maximum input/output frequency to 711 MHz
- Added reference to "AN591: Crystal Selection for the Si5315 and Si5317"



ClockBuilder Pro

One-click access to Timing tools, documentation, software, source code libraries & more. Available for Windows and iOS (CBGo only).

www.silabs.com/CBPro



Timing Portfolio
www.silabs.com/timing



SW/HW
www.silabs.com/CBPro



Quality
www.silabs.com/quality



Support and Community
community.silabs.com

Disclaimer

Silicon Laboratories intends to provide customers with the latest, accurate, and in-depth documentation of all peripherals and modules available for system and software implementers using or intending to use the Silicon Laboratories products. Characterization data, available modules and peripherals, memory sizes and memory addresses refer to each specific device, and "Typical" parameters provided can and do vary in different applications. Application examples described herein are for illustrative purposes only. Silicon Laboratories reserves the right to make changes without further notice and limitation to product information, specifications, and descriptions herein, and does not give warranties as to the accuracy or completeness of the included information. Silicon Laboratories shall have no liability for the consequences of use of the information supplied herein. This document does not imply or express copyright licenses granted hereunder to design or fabricate any integrated circuits. The products must not be used within any Life Support System without the specific written consent of Silicon Laboratories. A "Life Support System" is any product or system intended to support or sustain life and/or health, which, if it fails, can be reasonably expected to result in significant personal injury or death. Silicon Laboratories products are generally not intended for military applications. Silicon Laboratories products shall under no circumstances be used in weapons of mass destruction including (but not limited to) nuclear, biological or chemical weapons, or missiles capable of delivering such weapons.

Trademark Information

Silicon Laboratories Inc., Silicon Laboratories, Silicon Labs, SiLabs and the Silicon Labs logo, CMEMS®, EFM, EFM32, EFR, Energy Micro, Energy Micro logo and combinations thereof, "the world's most energy friendly microcontrollers", Ember®, EZLink®, EZMac®, EZRadio®, EZRadioPRO®, DSPLL®, ISOmodem®, Precision32®, ProSLIC®, SiPHY®, USBXpress® and others are trademarks or registered trademarks of Silicon Laboratories Inc. ARM, CORTEX, Cortex-M3 and THUMB are trademarks or registered trademarks of ARM Holdings. Keil is a registered trademark of ARM Limited. All other products or brand names mentioned herein are trademarks of their respective holders.



Silicon Laboratories Inc.
400 West Cesar Chavez
Austin, TX 78701
USA

<http://www.silabs.com>



Компания «ЭлектроПласт» предлагает заключение долгосрочных отношений при поставках импортных электронных компонентов на взаимовыгодных условиях!

Наши преимущества:

- Оперативные поставки широкого спектра электронных компонентов отечественного и импортного производства напрямую от производителей и с крупнейших мировых складов;
- Поставка более 17-ти миллионов наименований электронных компонентов;
- Поставка сложных, дефицитных, либо снятых с производства позиций;
- Оперативные сроки поставки под заказ (от 5 рабочих дней);
- Экспресс доставка в любую точку России;
- Техническая поддержка проекта, помощь в подборе аналогов, поставка прототипов;
- Система менеджмента качества сертифицирована по Международному стандарту ISO 9001;
- Лицензия ФСБ на осуществление работ с использованием сведений, составляющих государственную тайну;
- Поставка специализированных компонентов (Xilinx, Altera, Analog Devices, Intersil, Interpoint, Microsemi, Aeroflex, Peregrine, Syfer, Eurofarad, Texas Instrument, Miteq, Cobham, E2V, MA-COM, Hittite, Mini-Circuits, General Dynamics и др.);

Помимо этого, одним из направлений компании «ЭлектроПласт» является направление «Источники питания». Мы предлагаем Вам помощь Конструкторского отдела:

- Подбор оптимального решения, техническое обоснование при выборе компонента;
- Подбор аналогов;
- Консультации по применению компонента;
- Поставка образцов и прототипов;
- Техническая поддержка проекта;
- Защита от снятия компонента с производства.



Как с нами связаться

Телефон: 8 (812) 309 58 32 (многоканальный)

Факс: 8 (812) 320-02-42

Электронная почта: org@eplast1.ru

Адрес: 198099, г. Санкт-Петербург, ул. Калинина, дом 2, корпус 4, литера А.