

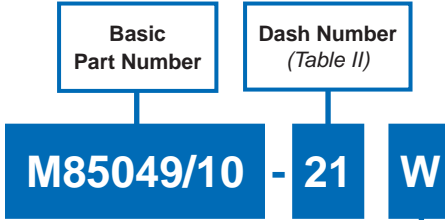
AS85049/10 and MS3437A Straight EMI/RFI Environmental Backshell



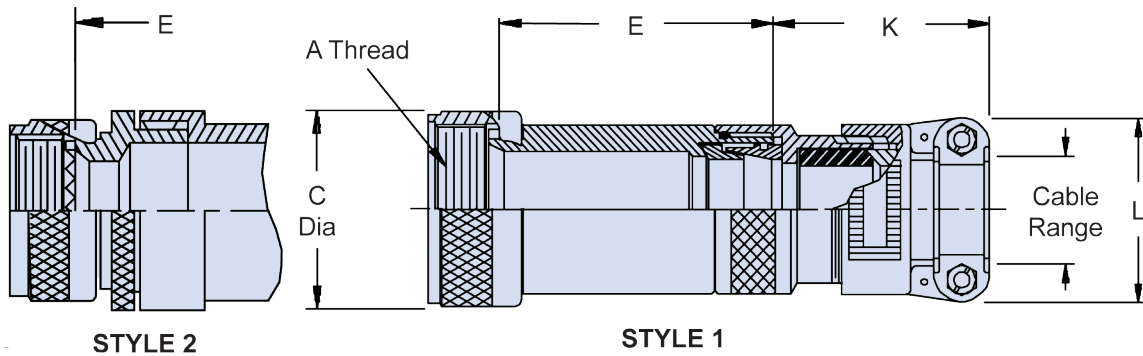
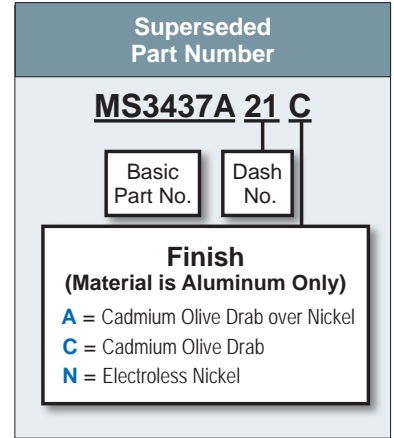
AS85049

B

| CONNECTOR DESIGNATOR: | |
|-----------------------|-----------------------------------|
| A | AS50151 Series AS34001 |
| | MIL-DTL-26482 Series II |
| | AS81703 Series III |
| | MIL-DTL-83723 Series I & III |
| | 40M39569, DEF 5326-3, EN 2997 |
| | EN 3646, ESC 10, ESC 11, LN 29504 |
| | NFC93422 Series HE302 |
| | PAN 6432-1, PAN 6432-2, PATT 602 |



| Finish / Material |
|--|
| B = Black Cadmium / Stainless Steel |
| N = Electroless Nickel / Aluminum |
| S = Passivated / Stainless Steel |
| W = 1,000 Hr. Cadmium Olive Drab over Electroless Nickel / Aluminum |
| X = Aluminum, Nickel Fluorocarbon Polymer |
| Z = Aluminum, Zinc-Nickel, Black |
| XS = Stainless Steel, Nickel Fluorocarbon Polymer |
| ZS = Stainless Steel, Zinc-Nickel, Black |



| TABLE I: Shell Size and Dimensions | | |
|------------------------------------|-------------------|-------------|
| Shell Size | A Thread Class 2B | C Dia Max |
| 3 | .562 - 24 UNEF | .67 (17.0) |
| 8 | .500 - 20 UNF | .62 (15.7) |
| 10 | .625 - 24 UNEF | .73 (18.5) |
| 12 | .750 - 20 UNEF | .86 (21.8) |
| 14 | .875 - 20 UNEF | .98 (24.9) |
| 16 | 1.000 - 20 UNEF | 1.11 (28.2) |
| 18 | 1.062 - 18 UNEF | 1.22 (31.0) |
| 20 | 1.188 - 18 UNEF | 1.34 (34.0) |
| 22 | 1.313 - 18 UNEF | 1.47 (37.3) |
| 24 | 1.438 - 18 UNEF | 1.59 (40.4) |
| 28 | 1.750 - 18 UNS | 1.97 (50.0) |
| 32 | 2.000 - 18 UNS | 2.22 (56.4) |
| 36 | 2.250 - 16 UN | 2.47 (62.7) |
| 40 | 2.500 - 16 UN | 2.72 (69.1) |
| 44 | 2.750 - 16 UN | 2.97 (75.4) |
| 48 | 3.000 - 16 UN | 3.22 (81.8) |
| 61 | 1.500 - 18 UNEF | 1.65 (41.9) |

| APPLICATION NOTES | |
|-------------------|--|
| 1. | For complete dimensions see the applicable Military Specification. |
| 2. | Metric dimensions (mm) are in parentheses. |
| 3. | Cable Range is defined as the accommodation range for the wire bundle or cable. Dimensions shown are not intended for inspection criteria. |

Dimensions in inches (millimeters) and are subject to change without notice.



AS85049/10 and MS3437A Straight EMI/RFI Environmental Backshell

TABLE II: Dash No., Style, Shell Size, Dimensions and Cable Range

| Dash No. | Shell Size | Style | E | | K | | L | | Cable Range | | M85049/42 Ref. |
|----------|------------|-------|---------------|--|--------------|--|--------------|--|-------------|--------------|----------------|
| | | | Max | | Ref | | Max | | Min | Max | |
| 01 | 3 | 1 | 2.125 (54.0) | | 1.544 (39.2) | | .957 (24.3) | | .125 (3.2) | .250 (6.4) | 4 |
| 02 | 3 | 1 | 3.125 (79.4) | | 1.544 (39.2) | | .957 (24.3) | | .125 (3.2) | .250 (6.4) | 4 |
| 03 | 3 | 2 | 2.875 (73.0) | | 1.544 (39.2) | | 1.145 (29.1) | | .250 (6.4) | .437 (11.1) | 6 |
| 04 | 3 | 2 | 3.875 (98.4) | | 1.544 (39.2) | | 1.145 (29.1) | | .250 (6.4) | .437 (11.1) | 6 |
| 05 | 8 | 1 | 2.125 (54.0) | | 1.544 (39.2) | | .957 (24.3) | | .125 (3.2) | .250 (6.4) | 4 |
| 06 | 8 | 1 | 3.125 (79.4) | | 1.544 (39.2) | | .957 (24.3) | | .125 (3.2) | .250 (6.4) | 4 |
| 07 | 8 | 2 | 2.875 (73.0) | | 1.544 (39.2) | | 1.145 (29.1) | | .250 (6.4) | .437 (11.1) | 6 |
| 08 | 8 | 2 | 3.875 (98.4) | | 1.544 (39.2) | | 1.145 (29.1) | | .250 (6.4) | .437 (11.1) | 6 |
| 09 | 10 | 1 | 2.125 (54.0) | | 1.544 (39.2) | | .957 (24.3) | | .125 (3.2) | .312 (7.9) | 4 |
| 10 | 10 | 1 | 3.125 (79.4) | | 1.544 (39.2) | | .957 (24.3) | | .125 (3.2) | .312 (7.9) | 4 |
| 11 | 10 | 2 | 2.875 (73.0) | | 1.544 (39.2) | | 1.145 (29.1) | | .250 (6.4) | .437 (11.1) | 6 |
| 12 | 10 | 2 | 3.875 (98.4) | | 1.544 (39.2) | | 1.145 (29.1) | | .250 (6.4) | .437 (11.1) | 6 |
| 13 | 12 | 1 | 2.125 (54.0) | | 1.544 (39.2) | | 1.145 (29.1) | | .250 (6.4) | .437 (11.1) | 6 |
| 14 | 12 | 1 | 3.125 (79.4) | | 1.544 (39.2) | | 1.145 (29.1) | | .250 (6.4) | .437 (11.1) | 6 |
| 15 | 12 | 2 | 2.875 (73.0) | | 1.844 (46.8) | | 1.332 (33.8) | | .350 (8.9) | .625 (15.9) | 10 |
| 16 | 12 | 2 | 3.875 (98.4) | | 1.844 (46.8) | | 1.332 (33.8) | | .350 (8.9) | .625 (15.9) | 10 |
| 17 | 14 | 1 | 2.125 (54.0) | | 1.844 (46.8) | | 1.332 (33.8) | | .350 (8.9) | .575 (14.6) | 10 |
| 18 | 14 | 1 | 3.125 (79.4) | | 1.844 (46.8) | | 1.332 (33.8) | | .350 (8.9) | .575 (14.6) | 10 |
| 19 | 14 | 2 | 2.875 (73.0) | | 1.916 (48.7) | | 1.551 (39.4) | | .500 (12.7) | .750 (19.1) | 12 |
| 20 | 14 | 2 | 3.875 (98.4) | | 1.916 (48.7) | | 1.551 (39.4) | | .500 (12.7) | .750 (19.1) | 12 |
| 21 | 16 | 1 | 2.125 (54.0) | | 1.916 (48.7) | | 1.551 (39.4) | | .500 (12.7) | .700 (17.8) | 12 |
| 22 | 16 | 1 | 3.125 (79.4) | | 1.916 (48.7) | | 1.551 (39.4) | | .500 (12.7) | .700 (17.8) | 12 |
| 23 | 16 | 2 | 2.875 (73.0) | | 2.000 (50.8) | | 1.770 (45.0) | | .625 (15.9) | .937 (23.8) | 16 |
| 24 | 16 | 2 | 3.875 (98.4) | | 2.000 (50.8) | | 1.770 (45.0) | | .625 (15.9) | .937 (23.8) | 16 |
| 25 | 18 | 1 | 2.125 (54.0) | | 1.844 (46.8) | | 1.332 (33.8) | | .350 (8.9) | .625 (15.9) | 10 |
| 26 | 18 | 1 | 3.125 (79.4) | | 1.844 (46.8) | | 1.332 (33.8) | | .350 (8.9) | .625 (15.9) | 10 |
| 27 | 18 | 1 | 2.125 (54.0) | | 1.916 (48.7) | | 1.551 (39.4) | | .500 (12.7) | .750 (19.1) | 12 |
| 28 | 18 | 1 | 3.125 (79.4) | | 1.916 (48.7) | | 1.551 (39.4) | | .500 (12.7) | .750 (19.1) | 12 |
| 29 | 18 | 2 | 2.875 (73.0) | | 2.000 (50.8) | | 1.770 (45.0) | | .625 (15.9) | .937 (23.8) | 16 |
| 30 | 18 | 2 | 3.875 (98.4) | | 2.000 (50.8) | | 1.770 (45.0) | | .625 (15.9) | .937 (23.8) | 16 |
| 31 | 20 | 1 | 3.125 (79.4) | | 1.844 (46.8) | | 1.332 (33.8) | | .350 (8.9) | .625 (15.9) | 10 |
| 32 | 20 | 1 | 4.125 (104.8) | | 1.844 (46.8) | | 1.332 (33.8) | | .350 (8.9) | .625 (15.9) | 10 |
| 33 | 20 | 1 | 3.125 (79.4) | | 1.916 (48.7) | | 1.551 (39.4) | | .500 (12.7) | .750 (19.1) | 12 |
| 34 | 20 | 1 | 4.125 (104.8) | | 1.916 (48.7) | | 1.551 (39.4) | | .500 (12.7) | .750 (19.1) | 12 |
| 35 | 20 | 2 | 3.875 (98.4) | | 2.000 (50.8) | | 1.770 (45.0) | | .625 (15.9) | .937 (23.8) | 16 |
| 36 | 20 | 2 | 4.875 (123.8) | | 2.000 (50.8) | | 1.770 (45.0) | | .625 (15.9) | .937 (23.8) | 16 |
| 37 | 20 | 2 | 3.875 (98.4) | | 2.230 (56.6) | | 2.113 (53.7) | | .875 (22.2) | 1.250 (31.8) | 20 |
| 38 | 20 | 2 | 4.875 (123.8) | | 2.230 (56.6) | | 2.113 (53.7) | | .875 (22.2) | 1.250 (31.8) | 20 |
| 39 | 22 | 1 | 3.125 (79.4) | | 1.844 (46.8) | | 1.332 (33.8) | | .350 (8.9) | .625 (15.9) | 10 |
| 40 | 22 | 1 | 4.125 (104.8) | | 1.844 (46.8) | | 1.332 (33.8) | | .350 (8.9) | .625 (15.9) | 10 |
| 41 | 22 | 1 | 3.125 (79.4) | | 1.916 (48.7) | | 1.551 (39.4) | | .500 (12.7) | .750 (19.1) | 12 |
| 42 | 22 | 1 | 4.125 (104.8) | | 1.916 (48.7) | | 1.551 (39.4) | | .500 (12.7) | .750 (19.1) | 12 |
| 43 | 22 | 1 | 3.125 (79.4) | | 2.000 (50.8) | | 1.770 (45.0) | | .625 (15.9) | .937 (23.8) | 16 |
| 44 | 22 | 1 | 4.125 (104.8) | | 2.000 (50.8) | | 1.770 (45.0) | | .625 (15.9) | .937 (23.8) | 16 |
| 45 | 22 | 2 | 3.875 (98.4) | | 2.230 (56.6) | | 2.113 (53.7) | | .875 (22.2) | 1.250 (31.8) | 20 |
| 46 | 22 | 2 | 4.875 (123.8) | | 2.230 (56.6) | | 2.113 (53.7) | | .875 (22.2) | 1.250 (31.8) | 20 |
| 47 | 24 | 1 | 3.125 (79.4) | | 1.916 (48.7) | | 1.551 (39.4) | | .500 (12.7) | .750 (19.1) | 12 |
| 48 | 24 | 1 | 4.125 (104.8) | | 1.916 (48.7) | | 1.551 (39.4) | | .500 (12.7) | .750 (19.1) | 12 |
| 49 | 24 | 1 | 3.125 (79.4) | | 2.000 (50.8) | | 1.770 (45.0) | | .625 (15.9) | .812 (20.6) | 16 |
| 50 | 24 | 1 | 4.125 (104.8) | | 2.000 (50.8) | | 1.770 (45.0) | | .625 (15.9) | .812 (20.6) | 16 |
| 51 | 24 | 1 | 3.125 (79.4) | | 2.000 (50.8) | | 1.770 (45.0) | | .625 (15.9) | .937 (23.8) | 16 |
| 52 | 24 | 1 | 4.125 (104.8) | | 2.000 (50.8) | | 1.770 (45.0) | | .625 (15.9) | .937 (23.8) | 16 |

Continued on Page B-29

Dimensions in inches (millimeters) and are subject to change without notice.

AS85049/10 and MS3437A Straight EMI/RFI Environmental Backshell



AS85049

B

TABLE II: (Continued from Page B-28)

| Dash No. | Shell Size | Style | E Max | K Ref | L Max | Cable Range | | M85049/42 Ref. |
|----------|------------|-------|---------------|--------------|--------------|--------------|--------------|----------------|
| | | | | | | Min | Max | |
| 53 | 24 | 2 | 3.875 (98.4) | 2.230 (56.6) | 2.113 (53.7) | .875 (22.2) | 1.250 (31.8) | 20 |
| 54 | 24 | 2 | 4.875 (123.8) | 2.230 (56.6) | 2.113 (53.7) | .875 (22.2) | 1.250 (31.8) | 20 |
| 55 | 28 | 1 | 3.125 (79.4) | 1.916 (48.7) | 1.551 (39.4) | .500 (12.7) | .750 (19.1) | 12 |
| 56 | 28 | 1 | 4.125 (104.8) | 1.916 (48.7) | 1.551 (39.4) | .500 (12.7) | .750 (19.1) | 12 |
| 57 | 28 | 1 | 3.125 (79.4) | 2.000 (50.8) | 1.770 (45.0) | .625 (15.9) | .937 (23.8) | 16 |
| 58 | 28 | 1 | 4.125 (104.8) | 2.000 (50.8) | 1.770 (45.0) | .625 (15.9) | .937 (23.8) | 16 |
| 59 | 28 | 1 | 3.125 (79.4) | 2.230 (56.6) | 2.113 (53.7) | .875 (22.2) | 1.250 (31.8) | 20 |
| 60 | 28 | 1 | 4.125 (104.8) | 2.230 (56.6) | 2.113 (53.7) | .875 (22.2) | 1.250 (31.8) | 20 |
| 61 | 28 | 1 | 3.125 (79.4) | 2.024 (51.4) | 2.363 (60.0) | 1.000 (25.4) | 1.375 (34.9) | 24 |
| 62 | 28 | 1 | 4.126 (104.8) | 2.024 (51.4) | 2.363 (60.0) | 1.000 (25.4) | 1.375 (34.9) | 24 |
| 63 | 32 | 1 | 3.125 (79.4) | 2.000 (50.8) | 1.770 (45.0) | .625 (15.9) | .937 (23.8) | 16 |
| 64 | 32 | 1 | 4.125 (104.8) | 2.000 (50.8) | 1.770 (45.0) | .625 (15.9) | .937 (23.8) | 16 |
| 65 | 32 | 1 | 3.125 (79.4) | 2.230 (56.6) | 2.113 (53.7) | .875 (22.2) | 1.250 (31.8) | 20 |
| 66 | 32 | 1 | 4.125 (104.8) | 2.230 (56.6) | 2.113 (53.7) | .875 (22.2) | 1.250 (31.8) | 20 |
| 67 | 32 | 1 | 3.125 (79.4) | 2.024 (51.4) | 2.363 (60.0) | 1.000 (25.4) | 1.375 (34.9) | 24 |
| 68 | 32 | 1 | 4.125 (104.8) | 2.024 (51.4) | 2.363 (60.0) | 1.000 (25.4) | 1.375 (34.9) | 24 |
| 69 | 32 | 1 | 3.125 (79.4) | 2.550 (64.8) | 2.770 (70.4) | 1.250 (31.8) | 1.625 (41.3) | 28 |
| 70 | 32 | 1 | 4.125 (104.8) | 2.550 (64.8) | 2.770 (70.4) | 1.250 (31.8) | 1.625 (41.3) | 28 |
| 71 | 36 | 1 | 4.125 (104.8) | 2.230 (56.6) | 2.113 (53.7) | .875 (22.2) | 1.250 (31.8) | 20 |
| 72 | 36 | 1 | 5.125 (130.2) | 2.230 (56.6) | 2.113 (53.7) | .875 (22.2) | 1.250 (31.8) | 20 |
| 73 | 36 | 1 | 4.125 (104.8) | 2.024 (51.4) | 2.363 (60.0) | 1.000 (25.4) | 1.375 (34.9) | 24 |
| 74 | 36 | 1 | 5.125 (130.2) | 2.024 (51.4) | 2.363 (60.0) | 1.000 (25.4) | 1.375 (34.9) | 24 |
| 75 | 36 | 1 | 4.125 (104.8) | 2.550 (64.8) | 2.770 (70.4) | 1.250 (31.8) | 1.625 (41.3) | 28 |
| 76 | 36 | 1 | 5.125 (130.2) | 2.550 (64.8) | 2.770 (70.4) | 1.250 (31.8) | 1.625 (41.3) | 28 |
| 77 | 36 | 2 | 5.000 (127.0) | 2.600 (66.0) | 3.020 (76.7) | 1.437 (36.5) | 1.875 (47.6) | 32 |
| 78 | 36 | 2 | 6.000 (152.4) | 2.600 (66.0) | 3.020 (76.7) | 1.437 (36.5) | 1.875 (47.6) | 32 |
| 79 | 40 | 1 | 4.125 (104.8) | 2.230 (56.6) | 2.113 (53.7) | .875 (22.2) | 1.250 (31.8) | 20 |
| 80 | 40 | 1 | 5.125 (130.2) | 2.230 (56.6) | 2.113 (53.7) | .875 (22.2) | 1.250 (31.8) | 20 |
| 81 | 40 | 1 | 4.125 (104.8) | 2.024 (51.4) | 2.363 (60.0) | 1.000 (25.4) | 1.375 (34.9) | 24 |
| 82 | 40 | 1 | 5.125 (130.2) | 2.024 (51.4) | 2.363 (60.0) | 1.000 (25.4) | 1.375 (34.9) | 24 |
| 83 | 40 | 1 | 4.125 (104.8) | 2.550 (64.8) | 2.770 (70.4) | 1.250 (31.8) | 1.625 (41.3) | 28 |
| 84 | 40 | 1 | 5.125 (130.2) | 2.550 (64.8) | 2.770 (70.4) | 1.250 (31.8) | 1.625 (41.3) | 28 |
| 85 | 40 | 1 | 4.125 (104.8) | 2.600 (66.0) | 3.020 (76.7) | 1.437 (36.5) | 1.875 (47.6) | 32 |
| 86 | 40 | 1 | 5.125 (130.2) | 2.600 (66.0) | 3.020 (76.7) | 1.437 (36.5) | 1.875 (47.6) | 32 |
| 87 | 44 | 1 | 4.125 (104.8) | 2.230 (56.6) | 2.113 (53.7) | .875 (22.2) | 1.250 (31.8) | 20 |
| 88 | 44 | 1 | 5.125 (130.2) | 2.230 (56.6) | 2.113 (53.7) | .875 (22.2) | 1.250 (31.8) | 20 |
| 89 | 44 | 1 | 4.125 (104.8) | 2.024 (51.4) | 2.363 (60.0) | 1.000 (25.4) | 1.375 (34.9) | 24 |
| 90 | 44 | 1 | 5.125 (130.2) | 2.024 (51.4) | 2.363 (60.0) | 1.000 (25.4) | 1.375 (34.9) | 24 |
| 91 | 44 | 1 | 4.125 (104.8) | 2.550 (64.8) | 2.770 (70.4) | 1.250 (31.8) | 1.625 (41.3) | 28 |
| 92 | 44 | 1 | 5.125 (130.2) | 2.550 (64.8) | 2.770 (70.4) | 1.250 (31.8) | 1.625 (41.3) | 28 |
| 93 | 44 | 1 | 4.125 (104.8) | 2.600 (66.0) | 3.020 (76.7) | 1.437 (36.5) | 1.875 (47.6) | 32 |
| 94 | 44 | 1 | 5.125 (130.2) | 2.600 (66.0) | 3.020 (76.7) | 1.437 (36.5) | 1.875 (47.6) | 32 |
| 95 | 48 | 1 | 4.125 (104.8) | 2.230 (56.6) | 2.113 (53.7) | .875 (22.2) | 1.250 (31.8) | 20 |
| 96 | 48 | 1 | 5.125 (130.2) | 2.230 (56.6) | 2.113 (53.7) | .875 (22.2) | 1.250 (31.8) | 20 |
| 97 | 48 | 1 | 4.125 (104.8) | 2.024 (51.4) | 2.363 (60.0) | 1.000 (25.4) | 1.375 (34.9) | 24 |
| 98 | 48 | 1 | 5.125 (130.2) | 2.024 (51.4) | 2.363 (60.0) | 1.000 (25.4) | 1.375 (34.9) | 24 |
| 99 | 48 | 1 | 4.125 (104.8) | 2.550 (64.8) | 2.770 (70.4) | 1.250 (31.8) | 1.625 (41.3) | 28 |
| 100 | 48 | 1 | 5.125 (130.2) | 2.550 (64.8) | 2.770 (70.4) | 1.250 (31.8) | 1.625 (41.3) | 28 |
| 101 | 48 | 1 | 4.125 (104.8) | 2.600 (66.0) | 3.020 (76.7) | 1.437 (36.5) | 1.875 (47.6) | 32 |
| 102 | 48 | 1 | 5.125 (130.2) | 2.600 (66.0) | 3.020 (76.7) | 1.437 (36.5) | 1.875 (47.6) | 32 |
| 103 | 61 | 1 | 3.125 (79.4) | 1.916 (48.7) | 1.551 (39.4) | .500 (12.7) | .750 (19.1) | 12 |
| 104 | 61 | 1 | 4.125 (104.8) | 1.916 (48.7) | 1.551 (39.4) | .500 (12.7) | .750 (19.1) | 12 |

Continued on Page B-30

Dimensions in inches (millimeters) and are subject to change without notice.



AS85049/10 and MS3437A Straight EMI/RFI Environmental Backshell

TABLE II: (Continued from Page B-29)

| Dash No. | Shell Size | Style | E Max | K Ref | L Max | Cable Range | | M85049/42 Ref. |
|----------|------------|-------|---------------|--------------|--------------|--------------|--------------|----------------|
| | | | | | | Min | Max | |
| 105 | 61 | 1 | 3.125 (79.4) | 2.000 (50.8) | 1.770 (45.0) | .625 (15.9) | .937 (23.8) | 16 |
| 106 | 61 | 1 | 4.125 (104.8) | 2.000 (50.8) | 1.770 (45.0) | .625 (15.9) | .937 (23.8) | 16 |
| 107 | 61 | 2 | 3.875 (98.4) | 2.230 (56.6) | 2.113 (53.7) | .875 (22.2) | 1.250 (31.8) | 20 |
| 108 | 61 | 2 | 4.875 (123.8) | 2.230 (56.6) | 2.113 (53.7) | .875 (22.2) | 1.250 (31.8) | 20 |
| 109 | 61 | 2 | 3.875 (98.4) | 2.024 (51.4) | 2.363 (60.0) | 1.000 (25.4) | 1.375 (34.9) | 24 |
| 110 | 61 | 2 | 4.875 (123.8) | 2.024 (51.4) | 2.363 (60.0) | 1.000 (25.4) | 1.375 (34.9) | 24 |
| 111 | 12 | 1 | 2.125 (54.0) | 1.844 (46.8) | 1.332 (33.8) | .350 (8.9) | .500 (12.7) | 10 |
| 112 | 16 | 1 | 2.125 (54.0) | 1.544 (39.2) | 1.145 (29.1) | .250 (6.4) | .437 (11.1) | 6 |
| 113 | 16 | 1 | 3.125 (79.4) | 1.544 (39.2) | 1.145 (29.1) | .250 (6.4) | .437 (11.1) | 6 |
| 114 | 12 | 1 | 2.125 (54.0) | 1.544 (39.2) | .957 (24.3) | .125 (3.2) | .312 (7.9) | 4 |
| 115 | 12 | 1 | 3.125 (79.4) | 1.544 (39.2) | .957 (24.3) | .125 (3.2) | .312 (7.9) | 4 |
| 116 | 14 | 1 | 2.125 (54.0) | 1.544 (39.2) | 1.145 (29.1) | .250 (6.4) | .437 (11.1) | 6 |
| 117 | 14 | 1 | 3.125 (79.4) | 1.544 (39.2) | 1.145 (29.1) | .250 (6.4) | .437 (11.1) | 6 |
| 118 | 16 | 1 | 2.125 (54.0) | 1.844 (46.8) | 1.332 (33.8) | .350 (8.9) | .625 (15.9) | 10 |
| 119 | 16 | 1 | 3.125 (79.4) | 1.844 (46.8) | 1.332 (33.8) | .350 (8.9) | .625 (15.9) | 10 |
| 120 | 18 | 1 | 2.125 (54.0) | 1.544 (39.2) | .957 (24.3) | .125 (3.2) | .312 (7.9) | 4 |
| 121 | 18 | 1 | 3.125 (79.4) | 1.544 (39.2) | .957 (24.3) | .125 (3.2) | .312 (7.9) | 4 |
| 122 | 18 | 1 | 2.125 (54.0) | 1.544 (39.2) | 1.145 (29.1) | .250 (6.4) | .437 (11.1) | 6 |
| 123 | 18 | 1 | 3.125 (79.4) | 1.544 (39.2) | 1.145 (29.1) | .250 (6.4) | .437 (11.1) | 6 |
| 124 | 20 | 1 | 3.125 (79.4) | 1.544 (39.2) | 1.145 (29.1) | .250 (6.4) | .437 (11.1) | 6 |
| 125 | 20 | 1 | 4.125 (104.8) | 1.544 (39.2) | 1.145 (29.1) | .250 (6.4) | .437 (11.1) | 6 |
| 126 | 22 | 1 | 3.125 (79.4) | 1.544 (39.2) | .957 (24.3) | .125 (3.2) | .312 (7.9) | 4 |
| 127 | 22 | 1 | 4.125 (104.8) | 1.544 (39.2) | .957 (24.3) | .125 (3.2) | .312 (7.9) | 4 |
| 128 | 22 | 1 | 3.125 (79.4) | 1.544 (39.2) | 1.145 (29.1) | .250 (6.4) | .437 (11.1) | 6 |
| 129 | 22 | 1 | 4.125 (104.8) | 1.544 (39.2) | 1.145 (29.1) | .250 (6.4) | .437 (11.1) | 6 |
| 130 | 24 | 1 | 3.125 (79.4) | 1.844 (46.8) | 1.332 (33.8) | .350 (8.9) | .625 (15.9) | 10 |
| 131 | 24 | 1 | 4.125 (104.8) | 1.844 (46.8) | 1.332 (33.8) | .350 (8.9) | .625 (15.9) | 10 |
| 132 | 36 | 1 | 4.125 (104.8) | 1.916 (48.7) | 1.551 (39.4) | .500 (12.7) | .750 (19.1) | 12 |
| 133 | 36 | 1 | 5.125 (130.2) | 1.916 (48.7) | 1.551 (39.4) | .500 (12.7) | .750 (19.1) | 12 |
| 134 | 40 | 1 | 4.125 (104.8) | 1.916 (48.7) | 1.551 (39.4) | .500 (12.7) | .750 (19.1) | 12 |
| 135 | 40 | 1 | 5.125 (130.2) | 1.916 (48.7) | 1.551 (39.4) | .500 (12.7) | .750 (19.1) | 12 |
| 136 | 10 | 1 | 2.125 (54.0) | 1.544 (39.2) | 1.145 (29.1) | .250 (6.4) | .375 (9.5) | 6 |
| 137 | 10 | 1 | 3.125 (79.4) | 1.544 (39.2) | 1.145 (29.1) | .250 (6.4) | .375 (9.5) | 6 |
| 138 | 12 | 1 | 2.125 (54.0) | 1.844 (46.8) | 1.332 (33.8) | .350 (8.9) | .500 (12.7) | 10 |
| 139 | 12 | 1 | 3.125 (79.4) | 1.844 (46.8) | 1.332 (33.8) | .350 (8.9) | .500 (12.7) | 10 |
| 140 | 20 | 1 | 3.125 (79.4) | 2.000 (50.8) | 1.770 (45.0) | .625 (15.9) | .904 (23.0) | 16 |
| 141 | 20 | 1 | 4.125 (104.8) | 2.000 (50.8) | 1.770 (45.0) | .625 (15.9) | .904 (23.0) | 16 |
| 142 | 22 | 1 | 3.125 (79.4) | 2.230 (56.6) | 2.113 (53.7) | .875 (22.2) | 1.029 (26.1) | 20 |
| 143 | 22 | 1 | 4.125 (104.8) | 2.230 (56.6) | 2.113 (53.7) | .875 (22.2) | 1.029 (26.1) | 20 |
| 144 | 24 | 1 | 3.125 (79.4) | 2.230 (56.6) | 2.113 (53.7) | .875 (22.2) | 1.144 (29.1) | 20 |
| 145 | 24 | 1 | 4.125 (104.8) | 2.230 (56.6) | 2.113 (53.7) | .875 (22.2) | 1.144 (29.1) | 20 |
| 146 | 36 | 1 | 4.125 (104.8) | 2.600 (66.0) | 3.020 (76.7) | 1.437 (36.5) | 1.840 (46.7) | 32 |
| 147 | 36 | 1 | 5.125 (130.2) | 2.600 (66.0) | 3.020 (76.7) | 1.437 (36.5) | 1.840 (46.7) | 32 |
| 148 | 36 | 1 | 4.125 (104.8) | 2.000 (50.8) | 1.770 (45.0) | .625 (15.9) | .937 (23.8) | 16 |
| 149 | 36 | 1 | 5.125 (130.2) | 2.000 (50.8) | 1.770 (45.0) | .625 (15.9) | .937 (23.8) | 16 |
| 150 | 14 | 1 | 2.125 (54.0) | 1.544 (39.2) | .957 (24.3) | .125 (3.2) | .312 (7.9) | 4 |
| 151 | 14 | 1 | 3.125 (79.4) | 1.544 (39.2) | .957 (24.3) | .125 (3.2) | .312 (7.9) | 4 |
| 152 | 16 | 1 | 2.125 (54.0) | 1.544 (39.2) | .957 (24.3) | .125 (3.2) | .312 (7.9) | 4 |
| 153 | 16 | 1 | 3.125 (79.4) | 1.544 (39.2) | .957 (24.3) | .125 (3.2) | .312 (7.9) | 4 |
| 154 | 44 | 1 | 4.125 (104.8) | 2.000 (50.8) | 1.770 (45.0) | .625 (15.9) | .937 (23.8) | 16 |
| 155 | 44 | 1 | 5.125 (130.2) | 2.000 (50.8) | 1.770 (45.0) | .625 (15.9) | .937 (23.8) | 16 |
| 156 | 40 | 1 | 4.125 (104.8) | 2.000 (50.8) | 1.770 (45.0) | .625 (15.9) | .937 (23.8) | 16 |
| 157 | 40 | 1 | 5.125 (130.2) | 2.000 (50.8) | 1.770 (45.0) | .625 (15.9) | .937 (23.8) | 16 |

Dimensions in inches (millimeters) and are subject to change without notice.



Компания «ЭлектроПласт» предлагает заключение долгосрочных отношений при поставках импортных электронных компонентов на взаимовыгодных условиях!

Наши преимущества:

- Оперативные поставки широкого спектра электронных компонентов отечественного и импортного производства напрямую от производителей и с крупнейших мировых складов;
- Поставка более 17-ти миллионов наименований электронных компонентов;
- Поставка сложных, дефицитных, либо снятых с производства позиций;
- Оперативные сроки поставки под заказ (от 5 рабочих дней);
- Экспресс доставка в любую точку России;
- Техническая поддержка проекта, помощь в подборе аналогов, поставка прототипов;
- Система менеджмента качества сертифицирована по Международному стандарту ISO 9001;
- Лицензия ФСБ на осуществление работ с использованием сведений, составляющих государственную тайну;
- Поставка специализированных компонентов (Xilinx, Altera, Analog Devices, Intersil, Interpoint, Microsemi, Aeroflex, Peregrine, Syfer, Eurofarad, Texas Instrument, Miteq, Cobham, E2V, MA-COM, Hittite, Mini-Circuits, General Dynamics и др.);

Помимо этого, одним из направлений компании «ЭлектроПласт» является направление «Источники питания». Мы предлагаем Вам помощь Конструкторского отдела:

- Подбор оптимального решения, техническое обоснование при выборе компонента;
- Подбор аналогов;
- Консультации по применению компонента;
- Поставка образцов и прототипов;
- Техническая поддержка проекта;
- Защита от снятия компонента с производства.



Как с нами связаться

Телефон: 8 (812) 309 58 32 (многоканальный)

Факс: 8 (812) 320-02-42

Электронная почта: org@eplast1.ru

Адрес: 198099, г. Санкт-Петербург, ул. Калинина, дом 2, корпус 4, литера А.