

# AS85049/10 and MS3437A Straight EMI/RFI Environmental Backshell



AS85049

B

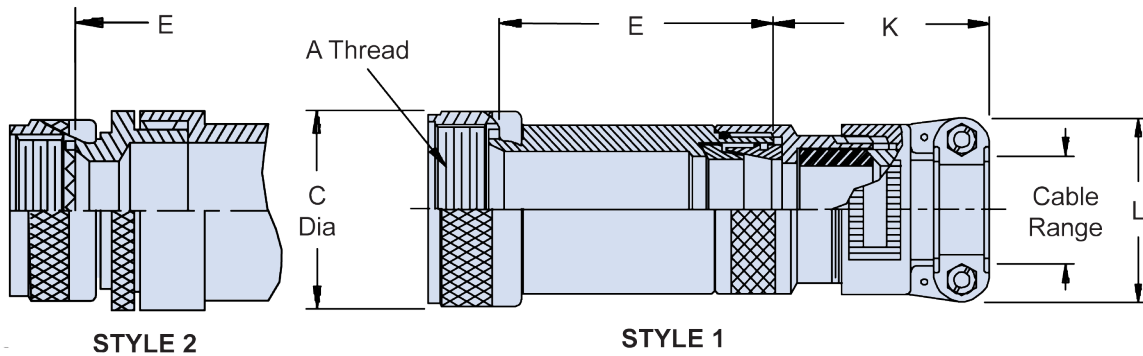
| CONNECTOR DESIGNATOR: |                                   |
|-----------------------|-----------------------------------|
| <b>A</b>              | AS50151 Series AS34001            |
|                       | MIL-DTL-26482 Series II           |
|                       | AS81703 Series III                |
|                       | MIL-DTL-83723 Series I & III      |
|                       | 40M39569, DEF 5326-3, EN 2997     |
|                       | EN 3646, ESC 10, ESC 11, LN 29504 |
|                       | NFC93422 Series HE302             |
|                       | PAN 6432-1, PAN 6432-2, PATT 602  |

Basic Part Number      Dash Number (Table I)

**M85049/10 - 21 W**

| Superseded Part Number   |          |
|--|----------|
| <b>MS3437A 21 C</b>  |          |
| Basic Part No.   | Dash No. |
| <b>Finish (Material is Aluminum Only)</b><br><b>A</b> = Cadmium Olive Drab over Nickel<br><b>C</b> = Cadmium Olive Drab<br><b>N</b> = Electroless Nickel |          |

**Finish / Material**  
**B** = Black Cadmium / Stainless Steel  
**N** = Electroless Nickel / Aluminum  
**S** = Passivated / Stainless Steel  
**W** = 1,000 Hr. Cadmium Olive Drab over Electroless Nickel / Aluminum  
**X** = Aluminum, Nickel Fluorocarbon Polymer  
**Z** = Aluminum, Zinc-Nickel, Black  
**XS** = Stainless Steel, Nickel Fluorocarbon Polymer  
**ZS** = Stainless Steel, Zinc-Nickel, Black



| TABLE I: Shell Size and Dimensions |                   |             |
|------------------------------------|-------------------|-------------|
| Shell Size                         | A Thread Class 2B | C Dia Max   |
| 3                                  | .562 - 24 UNEF    | .67 (17.0)  |
| 8                                  | .500 - 20 UNF     | .62 (15.7)  |
| 10                                 | .625 - 24 UNEF    | .73 (18.5)  |
| 12                                 | .750 - 20 UNEF    | .86 (21.8)  |
| 14                                 | .875 - 20 UNEF    | .98 (24.9)  |
| 16                                 | 1.000 - 20 UNEF   | 1.11 (28.2) |
| 18                                 | 1.062 - 18 UNEF   | 1.22 (31.0) |
| 20                                 | 1.188 - 18 UNEF   | 1.34 (34.0) |
| 22                                 | 1.313 - 18 UNEF   | 1.47 (37.3) |
| 24                                 | 1.438 - 18 UNEF   | 1.59 (40.4) |
| 28                                 | 1.750 - 18 UNS    | 1.97 (50.0) |
| 32                                 | 2.000 - 18 UNS    | 2.22 (56.4) |
| 36                                 | 2.250 - 16 UN     | 2.47 (62.7) |
| 40                                 | 2.500 - 16 UN     | 2.72 (69.1) |
| 44                                 | 2.750 - 16 UN     | 2.97 (75.4) |
| 48                                 | 3.000 - 16 UN     | 3.22 (81.8) |
| 61                                 | 1.500 - 18 UNEF   | 1.65 (41.9) |

**APPLICATION NOTES**

- For complete dimensions see the applicable Military Specification.
- Metric dimensions (mm) are in parentheses.
- Cable Range is defined as the accommodation range for the wire bundle or cable. Dimensions shown are not intended for inspection criteria.

Dimensions in inches (millimeters) and are subject to change without notice.



# AS85049/10 and MS3437A Straight EMI/RFI Environmental Backshell

**TABLE II: Dash No., Style, Shell Size, Dimensions and Cable Range**

| Dash No. | Shell Size | Style | E             |  | K            |  | L            |  | Cable Range |              | M85049/42 Ref. |
|----------|------------|-------|---------------|--|--------------|--|--------------|--|-------------|--------------|----------------|
|          |            |       | Max           |  | Ref          |  | Max          |  | Min         | Max          |                |
| 01       | 3          | 1     | 2.125 (54.0)  |  | 1.544 (39.2) |  | .957 (24.3)  |  | .125 (3.2)  | .250 (6.4)   | 4              |
| 02       | 3          | 1     | 3.125 (79.4)  |  | 1.544 (39.2) |  | .957 (24.3)  |  | .125 (3.2)  | .250 (6.4)   | 4              |
| 03       | 3          | 2     | 2.875 (73.0)  |  | 1.544 (39.2) |  | 1.145 (29.1) |  | .250 (6.4)  | .437 (11.1)  | 6              |
| 04       | 3          | 2     | 3.875 (98.4)  |  | 1.544 (39.2) |  | 1.145 (29.1) |  | .250 (6.4)  | .437 (11.1)  | 6              |
| 05       | 8          | 1     | 2.125 (54.0)  |  | 1.544 (39.2) |  | .957 (24.3)  |  | .125 (3.2)  | .250 (6.4)   | 4              |
| 06       | 8          | 1     | 3.125 (79.4)  |  | 1.544 (39.2) |  | .957 (24.3)  |  | .125 (3.2)  | .250 (6.4)   | 4              |
| 07       | 8          | 2     | 2.875 (73.0)  |  | 1.544 (39.2) |  | 1.145 (29.1) |  | .250 (6.4)  | .437 (11.1)  | 6              |
| 08       | 8          | 2     | 3.875 (98.4)  |  | 1.544 (39.2) |  | 1.145 (29.1) |  | .250 (6.4)  | .437 (11.1)  | 6              |
| 09       | 10         | 1     | 2.125 (54.0)  |  | 1.544 (39.2) |  | .957 (24.3)  |  | .125 (3.2)  | .312 (7.9)   | 4              |
| 10       | 10         | 1     | 3.125 (79.4)  |  | 1.544 (39.2) |  | .957 (24.3)  |  | .125 (3.2)  | .312 (7.9)   | 4              |
| 11       | 10         | 2     | 2.875 (73.0)  |  | 1.544 (39.2) |  | 1.145 (29.1) |  | .250 (6.4)  | .437 (11.1)  | 6              |
| 12       | 10         | 2     | 3.875 (98.4)  |  | 1.544 (39.2) |  | 1.145 (29.1) |  | .250 (6.4)  | .437 (11.1)  | 6              |
| 13       | 12         | 1     | 2.125 (54.0)  |  | 1.544 (39.2) |  | 1.145 (29.1) |  | .250 (6.4)  | .437 (11.1)  | 6              |
| 14       | 12         | 1     | 3.125 (79.4)  |  | 1.544 (39.2) |  | 1.145 (29.1) |  | .250 (6.4)  | .437 (11.1)  | 6              |
| 15       | 12         | 2     | 2.875 (73.0)  |  | 1.844 (46.8) |  | 1.332 (33.8) |  | .350 (8.9)  | .625 (15.9)  | 10             |
| 16       | 12         | 2     | 3.875 (98.4)  |  | 1.844 (46.8) |  | 1.332 (33.8) |  | .350 (8.9)  | .625 (15.9)  | 10             |
| 17       | 14         | 1     | 2.125 (54.0)  |  | 1.844 (46.8) |  | 1.332 (33.8) |  | .350 (8.9)  | .575 (14.6)  | 10             |
| 18       | 14         | 1     | 3.125 (79.4)  |  | 1.844 (46.8) |  | 1.332 (33.8) |  | .350 (8.9)  | .575 (14.6)  | 10             |
| 19       | 14         | 2     | 2.875 (73.0)  |  | 1.916 (48.7) |  | 1.551 (39.4) |  | .500 (12.7) | .750 (19.1)  | 12             |
| 20       | 14         | 2     | 3.875 (98.4)  |  | 1.916 (48.7) |  | 1.551 (39.4) |  | .500 (12.7) | .750 (19.1)  | 12             |
| 21       | 16         | 1     | 2.125 (54.0)  |  | 1.916 (48.7) |  | 1.551 (39.4) |  | .500 (12.7) | .700 (17.8)  | 12             |
| 22       | 16         | 1     | 3.125 (79.4)  |  | 1.916 (48.7) |  | 1.551 (39.4) |  | .500 (12.7) | .700 (17.8)  | 12             |
| 23       | 16         | 2     | 2.875 (73.0)  |  | 2.000 (50.8) |  | 1.770 (45.0) |  | .625 (15.9) | .937 (23.8)  | 16             |
| 24       | 16         | 2     | 3.875 (98.4)  |  | 2.000 (50.8) |  | 1.770 (45.0) |  | .625 (15.9) | .937 (23.8)  | 16             |
| 25       | 18         | 1     | 2.125 (54.0)  |  | 1.844 (46.8) |  | 1.332 (33.8) |  | .350 (8.9)  | .625 (15.9)  | 10             |
| 26       | 18         | 1     | 3.125 (79.4)  |  | 1.844 (46.8) |  | 1.332 (33.8) |  | .350 (8.9)  | .625 (15.9)  | 10             |
| 27       | 18         | 1     | 2.125 (54.0)  |  | 1.916 (48.7) |  | 1.551 (39.4) |  | .500 (12.7) | .750 (19.1)  | 12             |
| 28       | 18         | 1     | 3.125 (79.4)  |  | 1.916 (48.7) |  | 1.551 (39.4) |  | .500 (12.7) | .750 (19.1)  | 12             |
| 29       | 18         | 2     | 2.875 (73.0)  |  | 2.000 (50.8) |  | 1.770 (45.0) |  | .625 (15.9) | .937 (23.8)  | 16             |
| 30       | 18         | 2     | 3.875 (98.4)  |  | 2.000 (50.8) |  | 1.770 (45.0) |  | .625 (15.9) | .937 (23.8)  | 16             |
| 31       | 20         | 1     | 3.125 (79.4)  |  | 1.844 (46.8) |  | 1.332 (33.8) |  | .350 (8.9)  | .625 (15.9)  | 10             |
| 32       | 20         | 1     | 4.125 (104.8) |  | 1.844 (46.8) |  | 1.332 (33.8) |  | .350 (8.9)  | .625 (15.9)  | 10             |
| 33       | 20         | 1     | 3.125 (79.4)  |  | 1.916 (48.7) |  | 1.551 (39.4) |  | .500 (12.7) | .750 (19.1)  | 12             |
| 34       | 20         | 1     | 4.125 (104.8) |  | 1.916 (48.7) |  | 1.551 (39.4) |  | .500 (12.7) | .750 (19.1)  | 12             |
| 35       | 20         | 2     | 3.875 (98.4)  |  | 2.000 (50.8) |  | 1.770 (45.0) |  | .625 (15.9) | .937 (23.8)  | 16             |
| 36       | 20         | 2     | 4.875 (123.8) |  | 2.000 (50.8) |  | 1.770 (45.0) |  | .625 (15.9) | .937 (23.8)  | 16             |
| 37       | 20         | 2     | 3.875 (98.4)  |  | 2.230 (56.6) |  | 2.113 (53.7) |  | .875 (22.2) | 1.250 (31.8) | 20             |
| 38       | 20         | 2     | 4.875 (123.8) |  | 2.230 (56.6) |  | 2.113 (53.7) |  | .875 (22.2) | 1.250 (31.8) | 20             |
| 39       | 22         | 1     | 3.125 (79.4)  |  | 1.844 (46.8) |  | 1.332 (33.8) |  | .350 (8.9)  | .625 (15.9)  | 10             |
| 40       | 22         | 1     | 4.125 (104.8) |  | 1.844 (46.8) |  | 1.332 (33.8) |  | .350 (8.9)  | .625 (15.9)  | 10             |
| 41       | 22         | 1     | 3.125 (79.4)  |  | 1.916 (48.7) |  | 1.551 (39.4) |  | .500 (12.7) | .750 (19.1)  | 12             |
| 42       | 22         | 1     | 4.125 (104.8) |  | 1.916 (48.7) |  | 1.551 (39.4) |  | .500 (12.7) | .750 (19.1)  | 12             |
| 43       | 22         | 1     | 3.125 (79.4)  |  | 2.000 (50.8) |  | 1.770 (45.0) |  | .625 (15.9) | .937 (23.8)  | 16             |
| 44       | 22         | 1     | 4.125 (104.8) |  | 2.000 (50.8) |  | 1.770 (45.0) |  | .625 (15.9) | .937 (23.8)  | 16             |
| 45       | 22         | 2     | 3.875 (98.4)  |  | 2.230 (56.6) |  | 2.113 (53.7) |  | .875 (22.2) | 1.250 (31.8) | 20             |
| 46       | 22         | 2     | 4.875 (123.8) |  | 2.230 (56.6) |  | 2.113 (53.7) |  | .875 (22.2) | 1.250 (31.8) | 20             |
| 47       | 24         | 1     | 3.125 (79.4)  |  | 1.916 (48.7) |  | 1.551 (39.4) |  | .500 (12.7) | .750 (19.1)  | 12             |
| 48       | 24         | 1     | 4.125 (104.8) |  | 1.916 (48.7) |  | 1.551 (39.4) |  | .500 (12.7) | .750 (19.1)  | 12             |
| 49       | 24         | 1     | 3.125 (79.4)  |  | 2.000 (50.8) |  | 1.770 (45.0) |  | .625 (15.9) | .812 (20.6)  | 16             |
| 50       | 24         | 1     | 4.125 (104.8) |  | 2.000 (50.8) |  | 1.770 (45.0) |  | .625 (15.9) | .812 (20.6)  | 16             |
| 51       | 24         | 1     | 3.125 (79.4)  |  | 2.000 (50.8) |  | 1.770 (45.0) |  | .625 (15.9) | .937 (23.8)  | 16             |
| 52       | 24         | 1     | 4.125 (104.8) |  | 2.000 (50.8) |  | 1.770 (45.0) |  | .625 (15.9) | .937 (23.8)  | 16             |

Continued on Page B-29

Dimensions in inches (millimeters) and are subject to change without notice.

# AS85049/10 and MS3437A Straight EMI/RFI Environmental Backshell



AS85049

B

TABLE II: (Continued from Page B-28)

| Dash No. | Shell Size | Style | E Max         | K Ref        | L Max        | Cable Range  |              | M85049/42 Ref. |
|----------|------------|-------|---------------|--------------|--------------|--------------|--------------|----------------|
|          |            |       |               |              |              | Min          | Max          |                |
| 53       | 24         | 2     | 3.875 (98.4)  | 2.230 (56.6) | 2.113 (53.7) | .875 (22.2)  | 1.250 (31.8) | 20             |
| 54       | 24         | 2     | 4.875 (123.8) | 2.230 (56.6) | 2.113 (53.7) | .875 (22.2)  | 1.250 (31.8) | 20             |
| 55       | 28         | 1     | 3.125 (79.4)  | 1.916 (48.7) | 1.551 (39.4) | .500 (12.7)  | .750 (19.1)  | 12             |
| 56       | 28         | 1     | 4.125 (104.8) | 1.916 (48.7) | 1.551 (39.4) | .500 (12.7)  | .750 (19.1)  | 12             |
| 57       | 28         | 1     | 3.125 (79.4)  | 2.000 (50.8) | 1.770 (45.0) | .625 (15.9)  | .937 (23.8)  | 16             |
| 58       | 28         | 1     | 4.125 (104.8) | 2.000 (50.8) | 1.770 (45.0) | .625 (15.9)  | .937 (23.8)  | 16             |
| 59       | 28         | 1     | 3.125 (79.4)  | 2.230 (56.6) | 2.113 (53.7) | .875 (22.2)  | 1.250 (31.8) | 20             |
| 60       | 28         | 1     | 4.125 (104.8) | 2.230 (56.6) | 2.113 (53.7) | .875 (22.2)  | 1.250 (31.8) | 20             |
| 61       | 28         | 1     | 3.125 (79.4)  | 2.024 (51.4) | 2.363 (60.0) | 1.000 (25.4) | 1.375 (34.9) | 24             |
| 62       | 28         | 1     | 4.126 (104.8) | 2.024 (51.4) | 2.363 (60.0) | 1.000 (25.4) | 1.375 (34.9) | 24             |
| 63       | 32         | 1     | 3.125 (79.4)  | 2.000 (50.8) | 1.770 (45.0) | .625 (15.9)  | .937 (23.8)  | 16             |
| 64       | 32         | 1     | 4.125 (104.8) | 2.000 (50.8) | 1.770 (45.0) | .625 (15.9)  | .937 (23.8)  | 16             |
| 65       | 32         | 1     | 3.125 (79.4)  | 2.230 (56.6) | 2.113 (53.7) | .875 (22.2)  | 1.250 (31.8) | 20             |
| 66       | 32         | 1     | 4.125 (104.8) | 2.230 (56.6) | 2.113 (53.7) | .875 (22.2)  | 1.250 (31.8) | 20             |
| 67       | 32         | 1     | 3.125 (79.4)  | 2.024 (51.4) | 2.363 (60.0) | 1.000 (25.4) | 1.375 (34.9) | 24             |
| 68       | 32         | 1     | 4.125 (104.8) | 2.024 (51.4) | 2.363 (60.0) | 1.000 (25.4) | 1.375 (34.9) | 24             |
| 69       | 32         | 1     | 3.125 (79.4)  | 2.550 (64.8) | 2.770 (70.4) | 1.250 (31.8) | 1.625 (41.3) | 28             |
| 70       | 32         | 1     | 4.125 (104.8) | 2.550 (64.8) | 2.770 (70.4) | 1.250 (31.8) | 1.625 (41.3) | 28             |
| 71       | 36         | 1     | 4.125 (104.8) | 2.230 (56.6) | 2.113 (53.7) | .875 (22.2)  | 1.250 (31.8) | 20             |
| 72       | 36         | 1     | 5.125 (130.2) | 2.230 (56.6) | 2.113 (53.7) | .875 (22.2)  | 1.250 (31.8) | 20             |
| 73       | 36         | 1     | 4.125 (104.8) | 2.024 (51.4) | 2.363 (60.0) | 1.000 (25.4) | 1.375 (34.9) | 24             |
| 74       | 36         | 1     | 5.125 (130.2) | 2.024 (51.4) | 2.363 (60.0) | 1.000 (25.4) | 1.375 (34.9) | 24             |
| 75       | 36         | 1     | 4.125 (104.8) | 2.550 (64.8) | 2.770 (70.4) | 1.250 (31.8) | 1.625 (41.3) | 28             |
| 76       | 36         | 1     | 5.125 (130.2) | 2.550 (64.8) | 2.770 (70.4) | 1.250 (31.8) | 1.625 (41.3) | 28             |
| 77       | 36         | 2     | 5.000 (127.0) | 2.600 (66.0) | 3.020 (76.7) | 1.437 (36.5) | 1.875 (47.6) | 32             |
| 78       | 36         | 2     | 6.000 (152.4) | 2.600 (66.0) | 3.020 (76.7) | 1.437 (36.5) | 1.875 (47.6) | 32             |
| 79       | 40         | 1     | 4.125 (104.8) | 2.230 (56.6) | 2.113 (53.7) | .875 (22.2)  | 1.250 (31.8) | 20             |
| 80       | 40         | 1     | 5.125 (130.2) | 2.230 (56.6) | 2.113 (53.7) | .875 (22.2)  | 1.250 (31.8) | 20             |
| 81       | 40         | 1     | 4.125 (104.8) | 2.024 (51.4) | 2.363 (60.0) | 1.000 (25.4) | 1.375 (34.9) | 24             |
| 82       | 40         | 1     | 5.125 (130.2) | 2.024 (51.4) | 2.363 (60.0) | 1.000 (25.4) | 1.375 (34.9) | 24             |
| 83       | 40         | 1     | 4.125 (104.8) | 2.550 (64.8) | 2.770 (70.4) | 1.250 (31.8) | 1.625 (41.3) | 28             |
| 84       | 40         | 1     | 5.125 (130.2) | 2.550 (64.8) | 2.770 (70.4) | 1.250 (31.8) | 1.625 (41.3) | 28             |
| 85       | 40         | 1     | 4.125 (104.8) | 2.600 (66.0) | 3.020 (76.7) | 1.437 (36.5) | 1.875 (47.6) | 32             |
| 86       | 40         | 1     | 5.125 (130.2) | 2.600 (66.0) | 3.020 (76.7) | 1.437 (36.5) | 1.875 (47.6) | 32             |
| 87       | 44         | 1     | 4.125 (104.8) | 2.230 (56.6) | 2.113 (53.7) | .875 (22.2)  | 1.250 (31.8) | 20             |
| 88       | 44         | 1     | 5.125 (130.2) | 2.230 (56.6) | 2.113 (53.7) | .875 (22.2)  | 1.250 (31.8) | 20             |
| 89       | 44         | 1     | 4.125 (104.8) | 2.024 (51.4) | 2.363 (60.0) | 1.000 (25.4) | 1.375 (34.9) | 24             |
| 90       | 44         | 1     | 5.125 (130.2) | 2.024 (51.4) | 2.363 (60.0) | 1.000 (25.4) | 1.375 (34.9) | 24             |
| 91       | 44         | 1     | 4.125 (104.8) | 2.550 (64.8) | 2.770 (70.4) | 1.250 (31.8) | 1.625 (41.3) | 28             |
| 92       | 44         | 1     | 5.125 (130.2) | 2.550 (64.8) | 2.770 (70.4) | 1.250 (31.8) | 1.625 (41.3) | 28             |
| 93       | 44         | 1     | 4.125 (104.8) | 2.600 (66.0) | 3.020 (76.7) | 1.437 (36.5) | 1.875 (47.6) | 32             |
| 94       | 44         | 1     | 5.125 (130.2) | 2.600 (66.0) | 3.020 (76.7) | 1.437 (36.5) | 1.875 (47.6) | 32             |
| 95       | 48         | 1     | 4.125 (104.8) | 2.230 (56.6) | 2.113 (53.7) | .875 (22.2)  | 1.250 (31.8) | 20             |
| 96       | 48         | 1     | 5.125 (130.2) | 2.230 (56.6) | 2.113 (53.7) | .875 (22.2)  | 1.250 (31.8) | 20             |
| 97       | 48         | 1     | 4.125 (104.8) | 2.024 (51.4) | 2.363 (60.0) | 1.000 (25.4) | 1.375 (34.9) | 24             |
| 98       | 48         | 1     | 5.125 (130.2) | 2.024 (51.4) | 2.363 (60.0) | 1.000 (25.4) | 1.375 (34.9) | 24             |
| 99       | 48         | 1     | 4.125 (104.8) | 2.550 (64.8) | 2.770 (70.4) | 1.250 (31.8) | 1.625 (41.3) | 28             |
| 100      | 48         | 1     | 5.125 (130.2) | 2.550 (64.8) | 2.770 (70.4) | 1.250 (31.8) | 1.625 (41.3) | 28             |
| 101      | 48         | 1     | 4.125 (104.8) | 2.600 (66.0) | 3.020 (76.7) | 1.437 (36.5) | 1.875 (47.6) | 32             |
| 102      | 48         | 1     | 5.125 (130.2) | 2.600 (66.0) | 3.020 (76.7) | 1.437 (36.5) | 1.875 (47.6) | 32             |
| 103      | 61         | 1     | 3.125 (79.4)  | 1.916 (48.7) | 1.551 (39.4) | .500 (12.7)  | .750 (19.1)  | 12             |
| 104      | 61         | 1     | 4.125 (104.8) | 1.916 (48.7) | 1.551 (39.4) | .500 (12.7)  | .750 (19.1)  | 12             |

Continued on Page B-30

Dimensions in inches (millimeters) and are subject to change without notice.



# AS85049/10 and MS3437A Straight EMI/RFI Environmental Backshell

TABLE II: (Continued from Page B-29)

| Dash No. | Shell Size | Style | E Max         | K Ref        | L Max        | Cable Range  |              | M85049/42 Ref. |
|----------|------------|-------|---------------|--------------|--------------|--------------|--------------|----------------|
|          |            |       |               |              |              | Min          | Max          |                |
| 105      | 61         | 1     | 3.125 (79.4)  | 2.000 (50.8) | 1.770 (45.0) | .625 (15.9)  | .937 (23.8)  | 16             |
| 106      | 61         | 1     | 4.125 (104.8) | 2.000 (50.8) | 1.770 (45.0) | .625 (15.9)  | .937 (23.8)  | 16             |
| 107      | 61         | 2     | 3.875 (98.4)  | 2.230 (56.6) | 2.113 (53.7) | .875 (22.2)  | 1.250 (31.8) | 20             |
| 108      | 61         | 2     | 4.875 (123.8) | 2.230 (56.6) | 2.113 (53.7) | .875 (22.2)  | 1.250 (31.8) | 20             |
| 109      | 61         | 2     | 3.875 (98.4)  | 2.024 (51.4) | 2.363 (60.0) | 1.000 (25.4) | 1.375 (34.9) | 24             |
| 110      | 61         | 2     | 4.875 (123.8) | 2.024 (51.4) | 2.363 (60.0) | 1.000 (25.4) | 1.375 (34.9) | 24             |
| 111      | 12         | 1     | 2.125 (54.0)  | 1.844 (46.8) | 1.332 (33.8) | .350 (8.9)   | .500 (12.7)  | 10             |
| 112      | 16         | 1     | 2.125 (54.0)  | 1.544 (39.2) | 1.145 (29.1) | .250 (6.4)   | .437 (11.1)  | 6              |
| 113      | 16         | 1     | 3.125 (79.4)  | 1.544 (39.2) | 1.145 (29.1) | .250 (6.4)   | .437 (11.1)  | 6              |
| 114      | 12         | 1     | 2.125 (54.0)  | 1.544 (39.2) | .957 (24.3)  | .125 (3.2)   | .312 (7.9)   | 4              |
| 115      | 12         | 1     | 3.125 (79.4)  | 1.544 (39.2) | .957 (24.3)  | .125 (3.2)   | .312 (7.9)   | 4              |
| 116      | 14         | 1     | 2.125 (54.0)  | 1.544 (39.2) | 1.145 (29.1) | .250 (6.4)   | .437 (11.1)  | 6              |
| 117      | 14         | 1     | 3.125 (79.4)  | 1.544 (39.2) | 1.145 (29.1) | .250 (6.4)   | .437 (11.1)  | 6              |
| 118      | 16         | 1     | 2.125 (54.0)  | 1.844 (46.8) | 1.332 (33.8) | .350 (8.9)   | .625 (15.9)  | 10             |
| 119      | 16         | 1     | 3.125 (79.4)  | 1.844 (46.8) | 1.332 (33.8) | .350 (8.9)   | .625 (15.9)  | 10             |
| 120      | 18         | 1     | 2.125 (54.0)  | 1.544 (39.2) | .957 (24.3)  | .125 (3.2)   | .312 (7.9)   | 4              |
| 121      | 18         | 1     | 3.125 (79.4)  | 1.544 (39.2) | .957 (24.3)  | .125 (3.2)   | .312 (7.9)   | 4              |
| 122      | 18         | 1     | 2.125 (54.0)  | 1.544 (39.2) | 1.145 (29.1) | .250 (6.4)   | .437 (11.1)  | 6              |
| 123      | 18         | 1     | 3.125 (79.4)  | 1.544 (39.2) | 1.145 (29.1) | .250 (6.4)   | .437 (11.1)  | 6              |
| 124      | 20         | 1     | 3.125 (79.4)  | 1.544 (39.2) | 1.145 (29.1) | .250 (6.4)   | .437 (11.1)  | 6              |
| 125      | 20         | 1     | 4.125 (104.8) | 1.544 (39.2) | 1.145 (29.1) | .250 (6.4)   | .437 (11.1)  | 6              |
| 126      | 22         | 1     | 3.125 (79.4)  | 1.544 (39.2) | .957 (24.3)  | .125 (3.2)   | .312 (7.9)   | 4              |
| 127      | 22         | 1     | 4.125 (104.8) | 1.544 (39.2) | .957 (24.3)  | .125 (3.2)   | .312 (7.9)   | 4              |
| 128      | 22         | 1     | 3.125 (79.4)  | 1.544 (39.2) | 1.145 (29.1) | .250 (6.4)   | .437 (11.1)  | 6              |
| 129      | 22         | 1     | 4.125 (104.8) | 1.544 (39.2) | 1.145 (29.1) | .250 (6.4)   | .437 (11.1)  | 6              |
| 130      | 24         | 1     | 3.125 (79.4)  | 1.844 (46.8) | 1.332 (33.8) | .350 (8.9)   | .625 (15.9)  | 10             |
| 131      | 24         | 1     | 4.125 (104.8) | 1.844 (46.8) | 1.332 (33.8) | .350 (8.9)   | .625 (15.9)  | 10             |
| 132      | 36         | 1     | 4.125 (104.8) | 1.916 (48.7) | 1.551 (39.4) | .500 (12.7)  | .750 (19.1)  | 12             |
| 133      | 36         | 1     | 5.125 (130.2) | 1.916 (48.7) | 1.551 (39.4) | .500 (12.7)  | .750 (19.1)  | 12             |
| 134      | 40         | 1     | 4.125 (104.8) | 1.916 (48.7) | 1.551 (39.4) | .500 (12.7)  | .750 (19.1)  | 12             |
| 135      | 40         | 1     | 5.125 (130.2) | 1.916 (48.7) | 1.551 (39.4) | .500 (12.7)  | .750 (19.1)  | 12             |
| 136      | 10         | 1     | 2.125 (54.0)  | 1.544 (39.2) | 1.145 (29.1) | .250 (6.4)   | .375 (9.5)   | 6              |
| 137      | 10         | 1     | 3.125 (79.4)  | 1.544 (39.2) | 1.145 (29.1) | .250 (6.4)   | .375 (9.5)   | 6              |
| 138      | 12         | 1     | 2.125 (54.0)  | 1.844 (46.8) | 1.332 (33.8) | .350 (8.9)   | .500 (12.7)  | 10             |
| 139      | 12         | 1     | 3.125 (79.4)  | 1.844 (46.8) | 1.332 (33.8) | .350 (8.9)   | .500 (12.7)  | 10             |
| 140      | 20         | 1     | 3.125 (79.4)  | 2.000 (50.8) | 1.770 (45.0) | .625 (15.9)  | .904 (23.0)  | 16             |
| 141      | 20         | 1     | 4.125 (104.8) | 2.000 (50.8) | 1.770 (45.0) | .625 (15.9)  | .904 (23.0)  | 16             |
| 142      | 22         | 1     | 3.125 (79.4)  | 2.230 (56.6) | 2.113 (53.7) | .875 (22.2)  | 1.029 (26.1) | 20             |
| 143      | 22         | 1     | 4.125 (104.8) | 2.230 (56.6) | 2.113 (53.7) | .875 (22.2)  | 1.029 (26.1) | 20             |
| 144      | 24         | 1     | 3.125 (79.4)  | 2.230 (56.6) | 2.113 (53.7) | .875 (22.2)  | 1.144 (29.1) | 20             |
| 145      | 24         | 1     | 4.125 (104.8) | 2.230 (56.6) | 2.113 (53.7) | .875 (22.2)  | 1.144 (29.1) | 20             |
| 146      | 36         | 1     | 4.125 (104.8) | 2.600 (66.0) | 3.020 (76.7) | 1.437 (36.5) | 1.840 (46.7) | 32             |
| 147      | 36         | 1     | 5.125 (130.2) | 2.600 (66.0) | 3.020 (76.7) | 1.437 (36.5) | 1.840 (46.7) | 32             |
| 148      | 36         | 1     | 4.125 (104.8) | 2.000 (50.8) | 1.770 (45.0) | .625 (15.9)  | .937 (23.8)  | 16             |
| 149      | 36         | 1     | 5.125 (130.2) | 2.000 (50.8) | 1.770 (45.0) | .625 (15.9)  | .937 (23.8)  | 16             |
| 150      | 14         | 1     | 2.125 (54.0)  | 1.544 (39.2) | .957 (24.3)  | .125 (3.2)   | .312 (7.9)   | 4              |
| 151      | 14         | 1     | 3.125 (79.4)  | 1.544 (39.2) | .957 (24.3)  | .125 (3.2)   | .312 (7.9)   | 4              |
| 152      | 16         | 1     | 2.125 (54.0)  | 1.544 (39.2) | .957 (24.3)  | .125 (3.2)   | .312 (7.9)   | 4              |
| 153      | 16         | 1     | 3.125 (79.4)  | 1.544 (39.2) | .957 (24.3)  | .125 (3.2)   | .312 (7.9)   | 4              |
| 154      | 44         | 1     | 4.125 (104.8) | 2.000 (50.8) | 1.770 (45.0) | .625 (15.9)  | .937 (23.8)  | 16             |
| 155      | 44         | 1     | 5.125 (130.2) | 2.000 (50.8) | 1.770 (45.0) | .625 (15.9)  | .937 (23.8)  | 16             |
| 156      | 40         | 1     | 4.125 (104.8) | 2.000 (50.8) | 1.770 (45.0) | .625 (15.9)  | .937 (23.8)  | 16             |
| 157      | 40         | 1     | 5.125 (130.2) | 2.000 (50.8) | 1.770 (45.0) | .625 (15.9)  | .937 (23.8)  | 16             |

Dimensions in inches (millimeters) and are subject to change without notice.



Компания «ЭлектроПласт» предлагает заключение долгосрочных отношений при поставках импортных электронных компонентов на взаимовыгодных условиях!

Наши преимущества:

- Оперативные поставки широкого спектра электронных компонентов отечественного и импортного производства напрямую от производителей и с крупнейших мировых складов;
- Поставка более 17-ти миллионов наименований электронных компонентов;
- Поставка сложных, дефицитных, либо снятых с производства позиций;
- Оперативные сроки поставки под заказ (от 5 рабочих дней);
- Экспресс доставка в любую точку России;
- Техническая поддержка проекта, помощь в подборе аналогов, поставка прототипов;
- Система менеджмента качества сертифицирована по Международному стандарту ISO 9001;
- Лицензия ФСБ на осуществление работ с использованием сведений, составляющих государственную тайну;
- Поставка специализированных компонентов (Xilinx, Altera, Analog Devices, Intersil, Interpoint, Microsemi, Aeroflex, Peregrine, Syfer, Eurofarad, Texas Instrument, Miteq, Cobham, E2V, MA-COM, Hittite, Mini-Circuits, General Dynamics и др.);

Помимо этого, одним из направлений компании «ЭлектроПласт» является направление «Источники питания». Мы предлагаем Вам помощь Конструкторского отдела:

- Подбор оптимального решения, техническое обоснование при выборе компонента;
- Подбор аналогов;
- Консультации по применению компонента;
- Поставка образцов и прототипов;
- Техническая поддержка проекта;
- Защита от снятия компонента с производства.



#### Как с нами связаться

**Телефон:** 8 (812) 309 58 32 (многоканальный)

**Факс:** 8 (812) 320-02-42

**Электронная почта:** [org@eplast1.ru](mailto:org@eplast1.ru)

**Адрес:** 198099, г. Санкт-Петербург, ул. Калинина, дом 2, корпус 4, литера А.