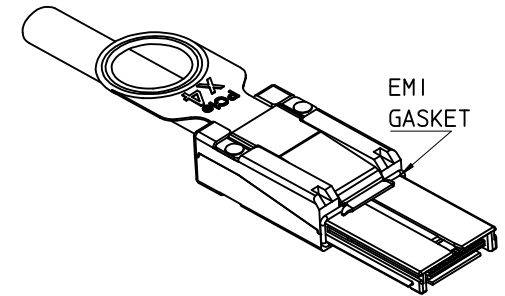


MOLEX P/N	LENGTH	GAGE	TOLERANCE	JACKET RATING
745460400	0.5M	28	0.03M	VW1
745460401	1.0M	28	0.05M	VW1
745460411	1.25M	28	0.05M	VW1
745460402	2.0M	28	0.05M	VW1
745460403	3.0M	28	0.05M	VW1
745460404	4.0M	28	0.10M	VW1
745460405	5.0M	26	0.10M	CL2
745460406	6.0M	26	0.13M	CL2
745460407	7.0M	24	0.13M	CL2
745460408	8.0M $\Delta$	24	0.13M	CL2
745460409	9.0M $\Delta$	24	0.15M	CL2
745460410	10.0M $\Delta$	24	0.15M	CL2

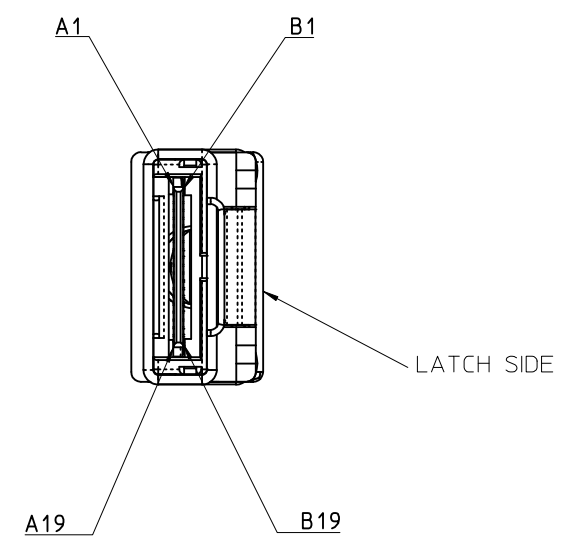
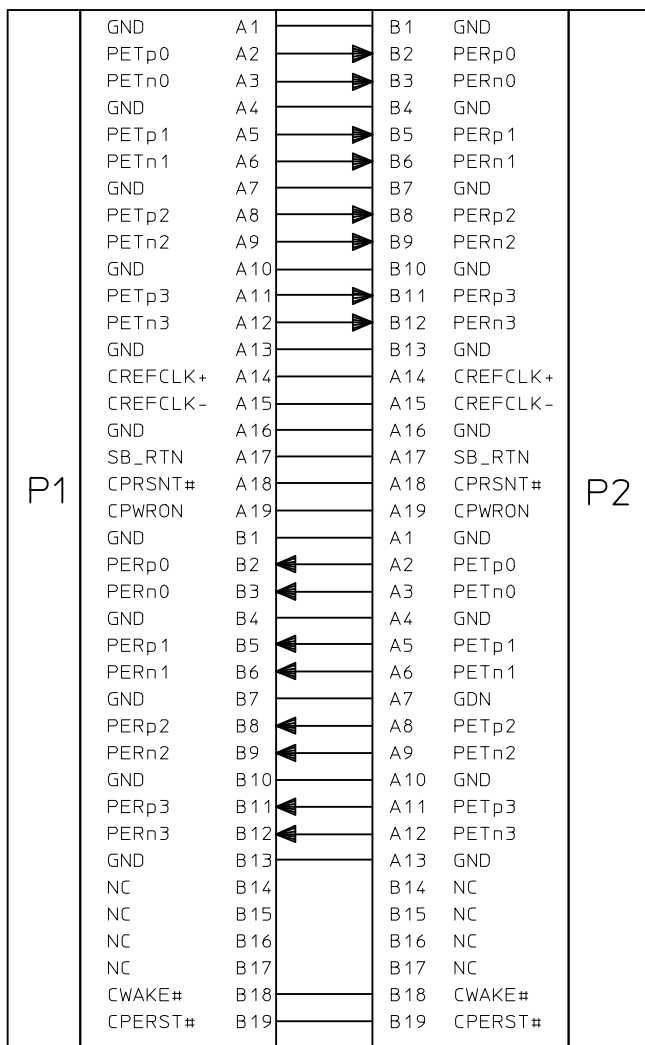


NOTES:

- MATERIAL - BACKSHELLS - ZINC DIECAST  
PULL - NYLON  
CABLE JACKET RATING - SEE TABLE
  - LENGTH AND TOLERANCE - SEE TABLE
  - ELECTRICAL PERFORMANCE PER PCI EXPRESS EXTERNAL CABLING SPEC.
  - PLUG MATES TO RECEPTACLE 75586-0010, AND EMI GUIDE HOUSING ASSY.74540-0400
  - THIS PRODUCT MEETS THE RESTRICTION OF HAZARDOUS SUBSTANCES IN ELECTRICAL AND ELECTRONIC EQUIPMENT (RoHS) DIRECTIVE (2002/95/EC).
- $\Delta$ . NOT COMPLIANT WITH INSERTION LOSS SPEC. PER. THE PCIe CABLING SPEC.

ENTER DESCRIPTION EC NO: USY2007-0491 DRWN: JERWIN 2008/09/22 CHKD: DDOYE 2008/09/29 APPR: DDOYE 2008/09/30	QUALITY SYMBOLS $\blacktriangledown=0$ $\blacktriangledown=0$	GENERAL TOLERANCES (UNLESS SPECIFIED)		DIMENSION STYLE MM ONLY		SCALE 1:1	DESIGN UNITS METRIC	THIRD ANGLE PROJECTION			
		4 PLACES $\pm$ --- $\pm$ --- 3 PLACES $\pm$ --- $\pm$ --- 2 PLACES $\pm$ 0.13 $\pm$ --- 1 PLACE $\pm$ 0.25 $\pm$ --- ANGULAR $\pm$ 1/2°	mm INCH	DRAWN BY BREED	DATE 2005/02/02	TITLE I-PASS X4 CABLE ASSEMBLY GEN 1					
		DRAFT WHERE APPLICABLE MUST REMAIN WITHIN DIMENSIONS		CHECKED BY DDOYE	DATE 2005/02/02	MOLEX INCORPORATED					
		SEE TABLE		APPROVED BY DDOYE	DATE 2005/02/02	MATERIAL NO.	DOCUMENT NO. SD-74546-400	SHEET NO. 1 OF 3			

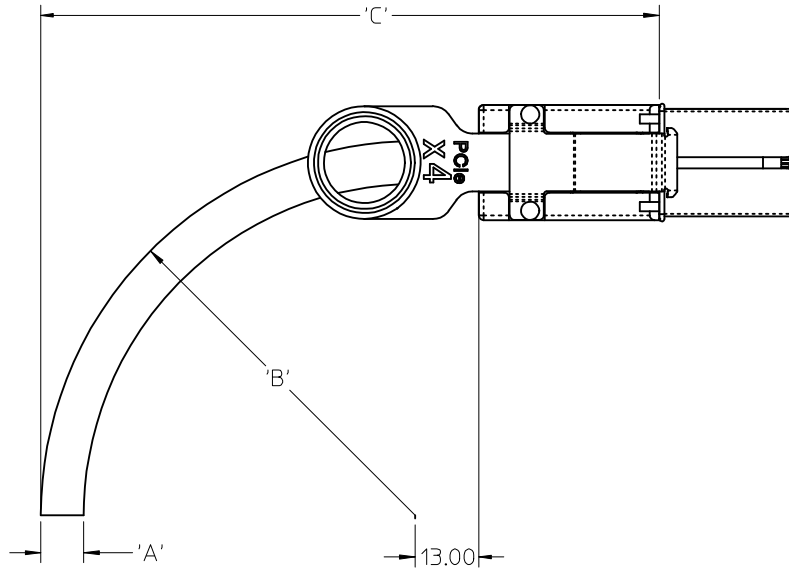
10 9 8 7 6 5 4 3 2 1



IPASS™ IS A TRADEMARK OF MOLEX

<b>ENTER DESCRIPTION</b> EC NO: USY2007-0491 DRAWN: JERMIN 2008/09/22 CHKC: DDOYE 2008/09/29 APPR: DDOYE 2008/09/30	QUALITY SYMBOLS ▽=0 ▽=0	GENERAL TOLERANCES (UNLESS SPECIFIED)		DIMENSION STYLE <b>MM ONLY</b>		SCALE 1:1	DESIGN UNITS METRIC	THIRD ANGLE PROJECTION		
		4 PLACES ± --- ± ---		DRAWN BY BREED	DATE 2005/02/02	TITLE <b>I-PASS X4 CABLE ASSEMBLY GEN 1</b>				
		3 PLACES ± --- ± ---		CHECKED BY DDOYE	DATE 2005/02/02					
		2 PLACES ± 0.13 ± ---		APPROVED BY DDOYE		DATE 2005/02/02	MOLEX INCORPORATED DOCUMENT NO. SD-74546-400			
1 PLACE ± 0.25 ± ---		MATERIAL NO.		SHEET NO. 2 OF 3						
ANGULAR ± 1/2°		DRAFT WHERE APPLICABLE MUST REMAIN WITHIN DIMENSIONS		SEE TABLE		THIS DRAWING CONTAINS INFORMATION THAT IS PROPRIETARY TO MOLEX INCORPORATED AND SHOULD NOT BE USED WITHOUT WRITTEN PERMISSION				

9 8 7 6 5 4 3 2 1



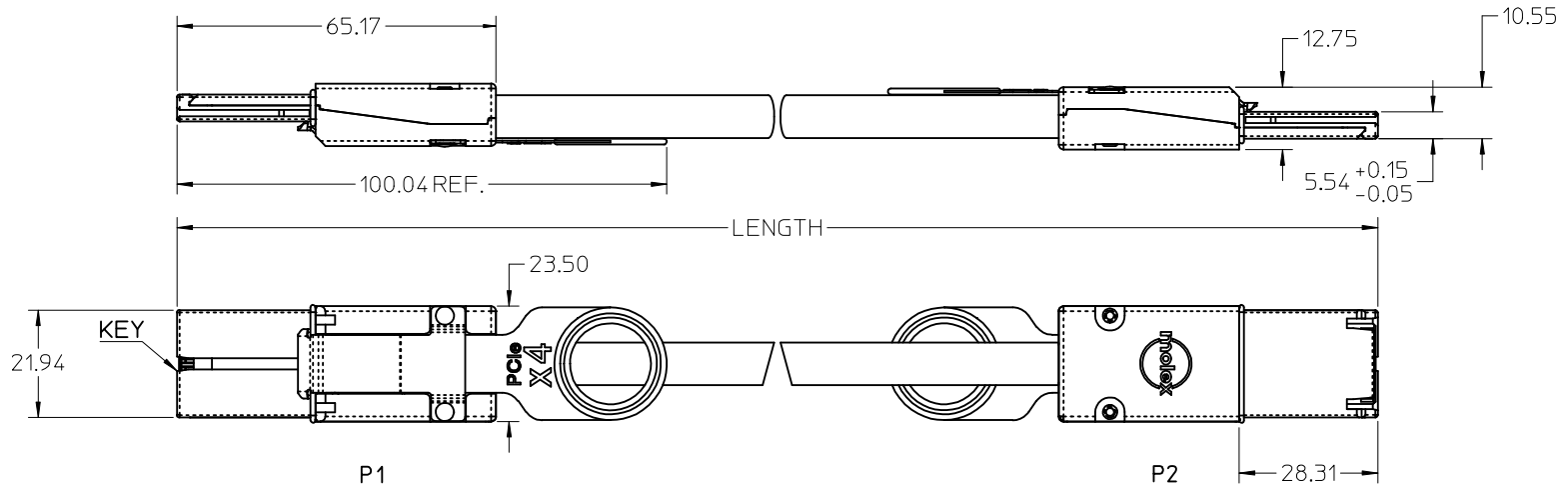
	CABLE GAUGE	24	26	28
A	CABLE DIAMETER	10.54	9.53	8.75
B	MINIMUM OUTER RADIUS	42.00	38.00	35.00
C	FACEPLATE TO OUTER RADIUS	91.86	87.86	84.86

IPASS™ IS A TRADEMARK OF MOLEX

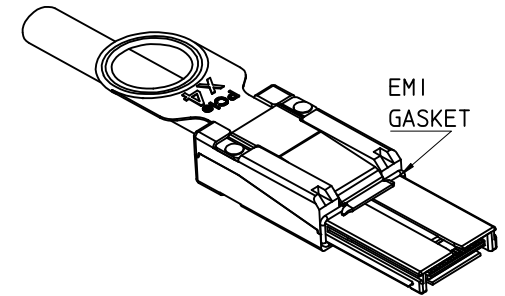
<b>ENTER DESCRIPTION</b> EC NO: USY2007-0491 DRWN: JERWIN 2008/09/22 CHKD: DDOYE 2008/09/29 APPR: DDOYE 2008/09/30	<b>QUALITY SYMBOLS</b> ▽=0 ▽=0	<b>GENERAL TOLERANCES (UNLESS SPECIFIED)</b>		<b>DIMENSION STYLE</b> MM ONLY		SCALE 1:1	DESIGN UNITS METRIC	THIRD ANGLE PROJECTION	
		4 PLACES ± --- ± ---	DRAWN BY BREED	DATE 2005/02/02	TITLE I-PASS X4 CABLE ASSEMBLY GEN 1				
		3 PLACES ± --- ± ---	CHECKED BY DDOYE	DATE 2005/02/02					
		2 PLACES ± 0.13 ± ---	APPROVED BY DDOYE	DATE 2005/02/02	MATERIAL NO.		DOCUMENT NO.	SHEET NO.	
1 PLACE ± 0.25 ± ---	ANGULAR ± 1/2°	DRAFT WHERE APPLICABLE MUST REMAIN WITHIN DIMENSIONS		SEE TABLE	SD-74546-400	3 OF 3			

**MOLEX INCORPORATED**

THIS DRAWING CONTAINS INFORMATION THAT IS PROPRIETARY TO MOLEX INCORPORATED AND SHOULD NOT BE USED WITHOUT WRITTEN PERMISSION



MOLEX P/N	LENGTH	GAGE	TOLERANCE	JACKET RATING
745460400	0.5M	28	0.03M	VW1
745460401	1.0M	28	0.05M	VW1
745460411	1.25M	28	0.05M	VW1
745460402	2.0M	28	0.05M	VW1
745460403	3.0M	28	0.05M	VW1
745460404	4.0M	28	0.10M	VW1
745460405	5.0M	26	0.10M	CL2
745460406	6.0M	26	0.13M	CL2
745460407	7.0M	24	0.13M	CL2
745460408	8.0M $\Delta$	24	0.13M	CL2
745460409	9.0M $\Delta$	24	0.15M	CL2
745460410	10.0M $\Delta$	24	0.15M	CL2
745460415	15.0M $\Delta$	24	0.15M	CL2



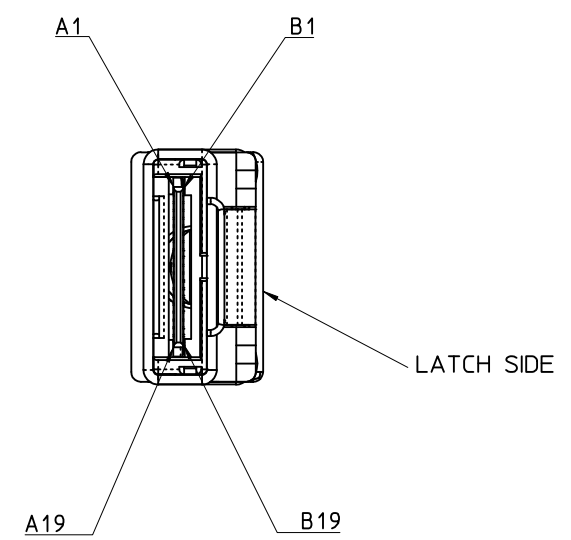
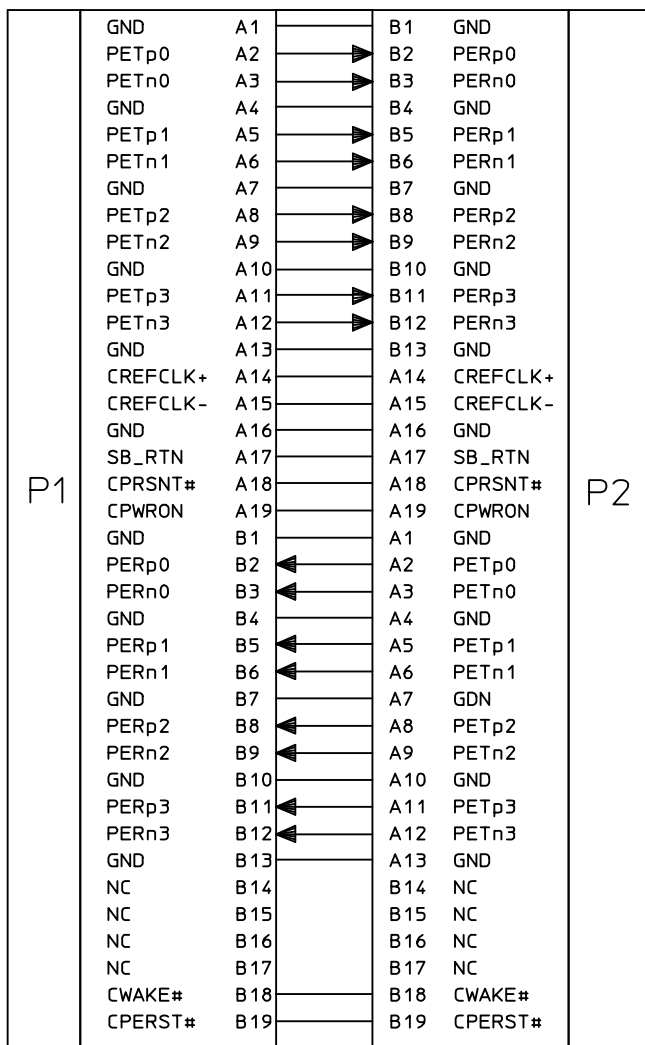
NOTES:

- MATERIAL -  
BACKSHELLS - ZINC DIECAST  
PULL - NYLON  
CABLE JACKET RATING - SEE TABLE
  - LENGTH AND TOLERANCE - SEE TABLE
  - ELECTRICAL PERFORMANCE PER PCI EXPRESS EXTERNAL CABLING SPEC.
  - PLUG MATES TO RECEPTACLE 75586-0010, AND EMI GUIDE HOUSING ASSY.74540-0400
  - THIS PRODUCT MEETS THE RESTRICTION OF HAZARDOUS SUBSTANCES IN ELECTRICAL AND ELECTRONIC EQUIPMENT (RoHS) DIRECTIVE (2002/95/EC).
- $\Delta$ . NOT COMPLIANT WITH INSERTION LOSS SPEC. PER. THE PCIe CABLING SPEC.

I-PASS™ IS A TRADEMARK OF MOLEX

ADDED P/N EC NO: USY2009-0263 DRWN: JERWIN 2009/01/08 CHKD: BSCHOSTER 2009/01/08 APPR: DDOYE 2009/01/12 REV	QUALITY SYMBOLS	GENERAL TOLERANCES (UNLESS SPECIFIED)	DIMENSION STYLE	SCALE	DESIGN UNITS	THIRD ANGLE PROJECTION
	$\nabla=0$ $\nabla=0$	mm INCH 4 PLACES ± --- ± --- 3 PLACES ± --- ± --- 2 PLACES ± 0.13 ± --- 1 PLACE ± 0.25 ± --- ANGULAR ± 1/2°	MM ONLY	1:1	METRIC	TITLE I-PASS X4 CABLE ASSEMBLY GEN 1
			DRAWN BY DATE BREED 2005/02/02 CHECKED BY DATE DDOYE 2005/02/02 APPROVED BY DATE DDOYE 2005/02/02	MOLEX INCORPORATED DOCUMENT NO. SD-74546-400		SHEET NO. 1 OF 3
	DRAFT WHERE APPLICABLE MUST REMAIN WITHIN DIMENSIONS		MATERIAL NO. SEE TABLE	THIS DRAWING CONTAINS INFORMATION THAT IS PROPRIETARY TO MOLEX INCORPORATED AND SHOULD NOT BE USED WITHOUT WRITTEN PERMISSION		

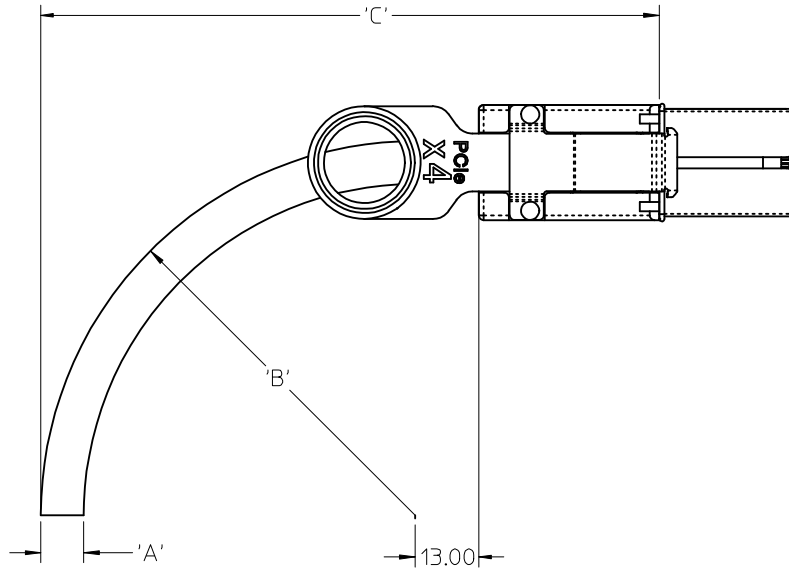
10 9 8 7 6 5 4 3 2 1



IPASS™ IS A TRADEMARK OF MOLEX

ADDED P/N EC NO: USY2009-0263 DRAWN: JERMIN 2009/01/08 CHKD: HSCHOESTER 2009/01/08 APPR: DDOYE 2009/01/12	DESCRIPTION REV	QUALITY SYMBOLS ▽=0 ▽=0	GENERAL TOLERANCES (UNLESS SPECIFIED)		DIMENSION STYLE <b>MM ONLY</b>		SCALE <b>1:1</b>	DESIGN UNITS <b>METRIC</b>	THIRD ANGLE PROJECTION	
		4 PLACES ± --- ± ---	mm INCH	DRAWN BY BREED	DATE 2005/02/02	TITLE <b>I-PASS X4 CABLE ASSEMBLY GEN 1</b>				
		3 PLACES ± --- ± ---	2 PLACES ± 0.13 ± ---	CHECKED BY DDOYE	DATE 2005/02/02					
		1 PLACE ± 0.25 ± ---	ANGULAR ± 1/2°	APPROVED BY DDOYE	DATE 2005/02/02	MATERIAL NO. <b>SEE TABLE</b>	DOCUMENT NO. <b>SD-74546-400</b>	SHEET NO. <b>2 OF 3</b>		
DRAFT WHERE APPLICABLE MUST REMAIN WITHIN DIMENSIONS			THIS DRAWING CONTAINS INFORMATION THAT IS PROPRIETARY TO MOLEX INCORPORATED AND SHOULD NOT BE USED WITHOUT WRITTEN PERMISSION							

9 8 7 6 5 4 3 2 1



CABLE GAUGE	24	26	28
A CABLE DIAMETER	10.54	9.53	8.75
B MINIMUM OUTER RADIUS	42.00	38.00	35.00
C FACEPLATE TO OUTER RADIUS	91.86	87.86	84.86

IPASS™ IS A TRADEMARK OF MOLEX

<b>ADDED P/N</b> EC NO: USY2009-0263 DRWN: JERWIN 2009/01/08 CHKD: BSCHOESTER 2009/01/08 APPR: DDOYE 2009/01/12	QUALITY SYMBOLS ▽=0 ▽=0	GENERAL TOLERANCES (UNLESS SPECIFIED) mm INCH 4 PLACES ± --- ± --- 3 PLACES ± --- ± --- 2 PLACES ± 0.13 ± --- 1 PLACE ± 0.25 ± --- ANGULAR ± 1/2°	DIMENSION STYLE <b>MM ONLY</b> DRAWN BY BREED DATE 2005/02/02 CHECKED BY DDOYE DATE 2005/02/02 APPROVED BY DDOYE DATE 2005/02/02	SCALE 1:1 DESIGN UNITS METRIC THIRD ANGLE PROJECTION	TITLE <b>I-PASS                  X4 CABLE ASSEMBLY                  GEN 1</b>	
		DRAFT WHERE APPLICABLE MUST REMAIN WITHIN DIMENSIONS	MATERIAL NO. SEE TABLE	DOCUMENT NO. SD-74546-400	SHEET NO. 3 OF 3	
			SIZE B	THIS DRAWING CONTAINS INFORMATION THAT IS PROPRIETARY TO MOLEX INCORPORATED AND SHOULD NOT BE USED WITHOUT WRITTEN PERMISSION		



Компания «ЭлектроПласт» предлагает заключение долгосрочных отношений при поставках импортных электронных компонентов на взаимовыгодных условиях!

Наши преимущества:

- Оперативные поставки широкого спектра электронных компонентов отечественного и импортного производства напрямую от производителей и с крупнейших мировых складов;
- Поставка более 17-ти миллионов наименований электронных компонентов;
- Поставка сложных, дефицитных, либо снятых с производства позиций;
- Оперативные сроки поставки под заказ (от 5 рабочих дней);
- Экспресс доставка в любую точку России;
- Техническая поддержка проекта, помощь в подборе аналогов, поставка прототипов;
- Система менеджмента качества сертифицирована по Международному стандарту ISO 9001;
- Лицензия ФСБ на осуществление работ с использованием сведений, составляющих государственную тайну;
- Поставка специализированных компонентов (Xilinx, Altera, Analog Devices, Intersil, Interpoint, Microsemi, Aeroflex, Peregrine, Syfer, Eurofarad, Texas Instrument, Miteq, Cobham, E2V, MA-COM, Hittite, Mini-Circuits, General Dynamics и др.);

Помимо этого, одним из направлений компании «ЭлектроПласт» является направление «Источники питания». Мы предлагаем Вам помощь Конструкторского отдела:

- Подбор оптимального решения, техническое обоснование при выборе компонента;
- Подбор аналогов;
- Консультации по применению компонента;
- Поставка образцов и прототипов;
- Техническая поддержка проекта;
- Защита от снятия компонента с производства.



#### Как с нами связаться

**Телефон:** 8 (812) 309 58 32 (многоканальный)

**Факс:** 8 (812) 320-02-42

**Электронная почта:** [org@eplast1.ru](mailto:org@eplast1.ru)

**Адрес:** 198099, г. Санкт-Петербург, ул. Калинина, дом 2, корпус 4, литера А.