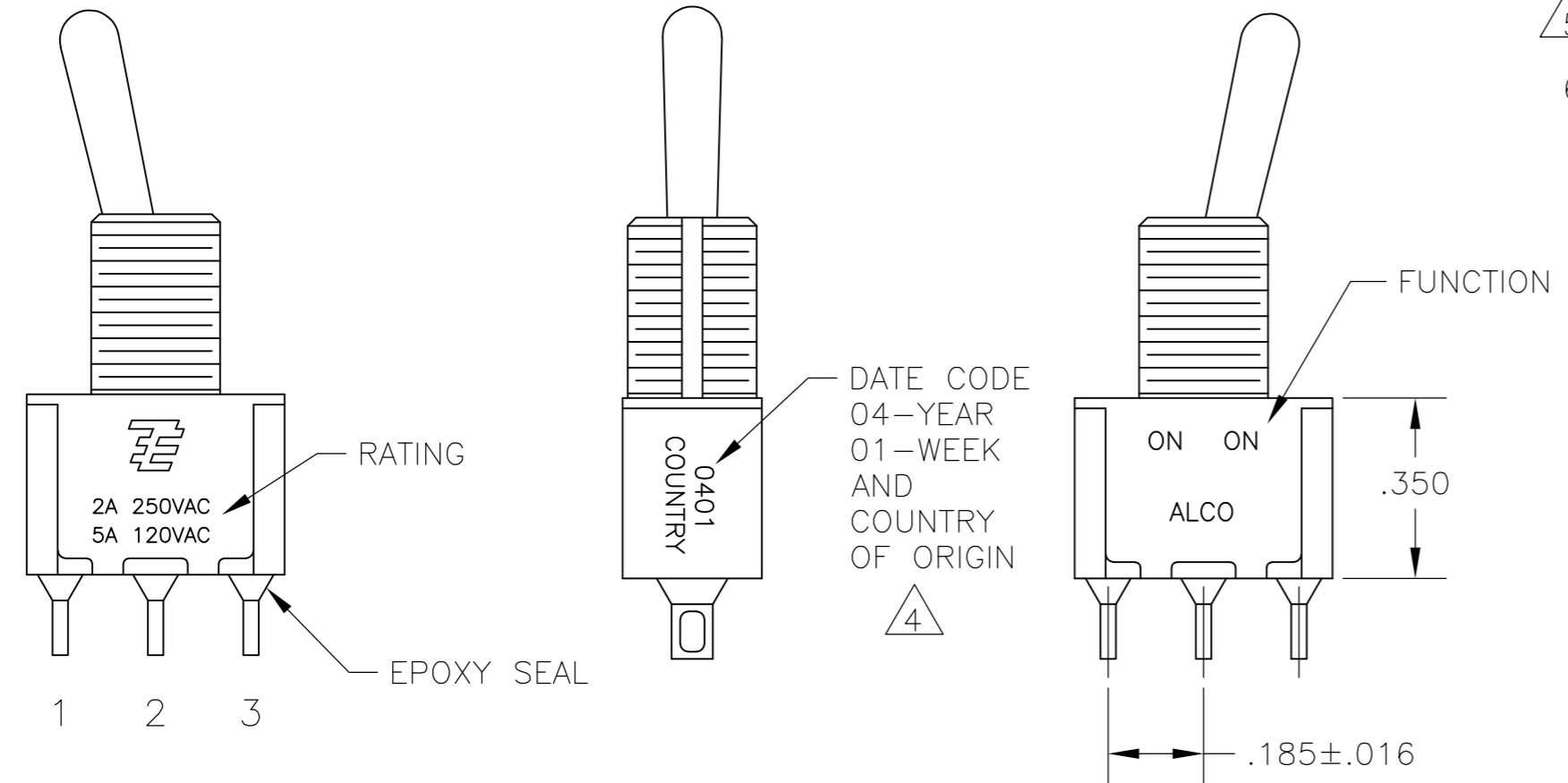
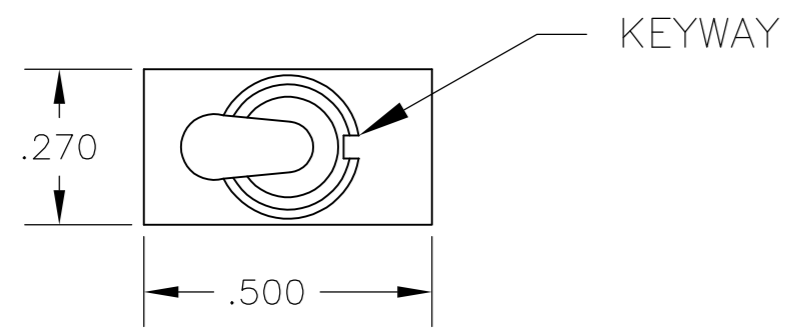


THIS DRAWING IS UNPUBLISHED. RELEASED FOR PUBLICATION
 © COPYRIGHT - By - ALL RIGHTS RESERVED.

| LOC | | DIST | | REVISIONS | | | |
|-----|-----|-------------|---------------------------|-----------|------|----|--|
| P | LTR | DESCRIPTION | DATE | DWN | APVD | | |
| AD | 00 | A7 | REVISED PER ECO-14-005988 | 23APR2014 | NK | RH | |



- ALL MATERIALS AND FINISHES SHALL COMPLY WITH EU DIRECTIVE 2002/95/EC OF 27JAN2003 (ROHS).
- EACH SWITCH WITH THREADED BUSHINGS SUPPLIED WITH THE FOLLWING MOUNTING HARDWARE:
 (2) HEX NUTS
 (1) INTERNAL TOOTH LOCKWASHER
 (1) LOCATING RING
- G CONTACT OPTION CAN BE USED FOR SIGNAL OR POWER LEVEL SWITCHING. IF SWITCH IS USED AT LEVELS EXCEEDING .4VA @ 20V AC/DC, SWITCH IS RENDERED FOR POWER SWITCHING ONLY DUE TO ARC REMOVAL OF GOLD PLATING. RATING MARKED ON FRAME IS 2A 250VAC, 5A 120VAC.
- DATE CODE AND COUNTRY OF ORIGIN MAY APPEAR ON EITHER SIDE OF SWITCH.
- LENGTH OF TOGGLE REDUCED BY .020 WITH A, AV2, V30 OR V40 VERTICAL SUPPORT BRACKET OPTIONS.
- ALL LOGO, RATING, DATE CODE, AND FUNCTION MARKINGS TO BE LASER MARKED.

| FUNCTION | 1 2 3 | 1 2 3 | 1 2 3 |
|---------------------|-------|-------|-------|
| 03 | ON | OFF | ON |
| 05 | (ON) | OFF | (ON) |
| 07 | ON | OFF | (ON) |
| TERMINALS CONNECTED | 2-3 | --- | 1-2 |

None: No mechanical position
 Off: Mechanical position with no electrical connection
 (On): Momentary action

| | |
|---------------------------------|--|
| RATING, B CONTACTS | .4VA MAX @20V MAX. AC OR DC |
| RATING, G CONTACTS—SEE NOTE 3 | .4VA MAX @20V MAX. AC OR DC OR 5A @120 VAC OR 28 VDC (RESISTIVE) |
| | 2A @250 VAC (RESISTIVE) |
| RATING, Q CONTACTS | 5A @120 VAC OR 28 VDC (RESISTIVE) |
| | 2A @250 VAC (RESISTIVE) |
| ELECTRICAL LIFE | 6,000 CYCLES AT RATED LOAD |
| CONTACT RESISTANCE | 10 MILLIOHMS MAX INITIAL @ 2-4VDC, 100ma |
| INSULATION RESISTANCE | 1,000 MEGOHMS MIN |
| DIELECTRIC WITHSTANDING VOLTAGE | 1,000 V RMS AT SEA LEVEL |
| OPERATING TEMPRATURE | -30C TO 85C |

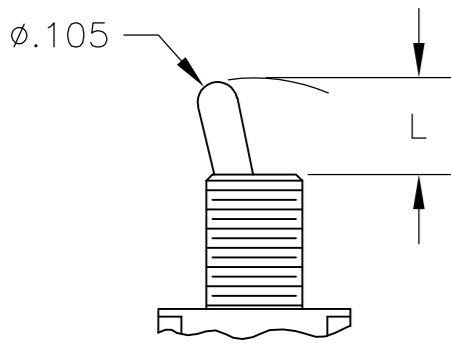
| MODEL | FUNCTION | TOGGLE | BUSHING | TERMINAL | CONTACT | RoHS |
|-------|----------|--------|---------|----------|---------|------|
| A1 | 03 | K | CW | A | B | 04 |
| | 05 | K1 | D | AV2 | G | |
| | 07 | L | D9 | C | Q | |
| | | L1 | H | V30 | | |
| | | L2 | Y | V40 | | |
| | | M | Y9 | W | | |
| | | P3 | | W4 | | |
| | | S | | Z | | |
| | | T | | Z3 | | |
| | | T1 | | | | |

EXAMPLE: A103SYCQ04

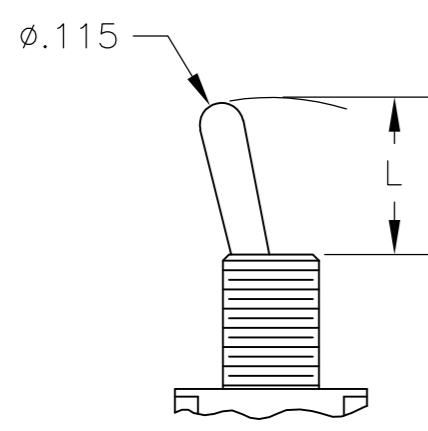
| | | | | | | | |
|--|--|------------------|---------|--|-----------|------------|---------------|
| THIS DRAWING IS A CONTROLLED DOCUMENT. | | DWN M. ZITTO | 18MAY05 | TE TE Connectivity | | | |
| DIMENSIONS: INCHES | | CHK M. ZITTO | | | | | |
| TOLERANCES UNLESS OTHERWISE SPECIFIED: | | APVD M. ZITTO | | GEMINI A SERIES TOGGLE SWITCH, SINGLE POLE, 3 POSITION FUNCTIONS (03, 05 & 07) | | | |
| 0 PLC ± - | | PRODUCT SPEC | | | | | |
| 1 PLC ± - | | APPLICATION SPEC | | SIZE | CAGE CODE | DRAWING NO | RESTRICTED TO |
| 2 PLC ± - | | | | A2 | 00779 | C=1825137 | - |
| 3 PLC ± .010 | | | | SCALE | | SHEET | REV |
| 4 PLC ± - | | | | 3:1 | | 1 of 4 | A7 |
| ANGLES ± 2° | | | | CUSTOMER DRAWING | | | |
| MATERIAL | | FINISH | WEIGHT | | | | |

THIS DRAWING IS UNPUBLISHED. RELEASED FOR PUBLICATION
 © COPYRIGHT - By - ALL RIGHTS RESERVED.

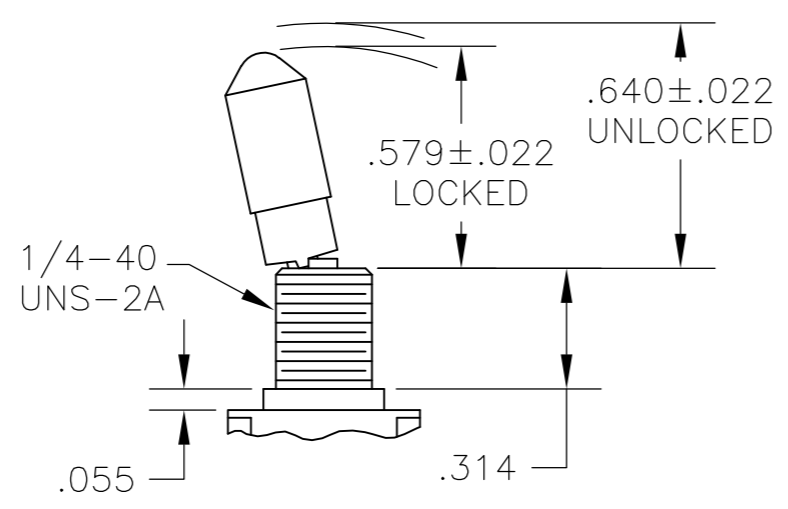
TOGGLES



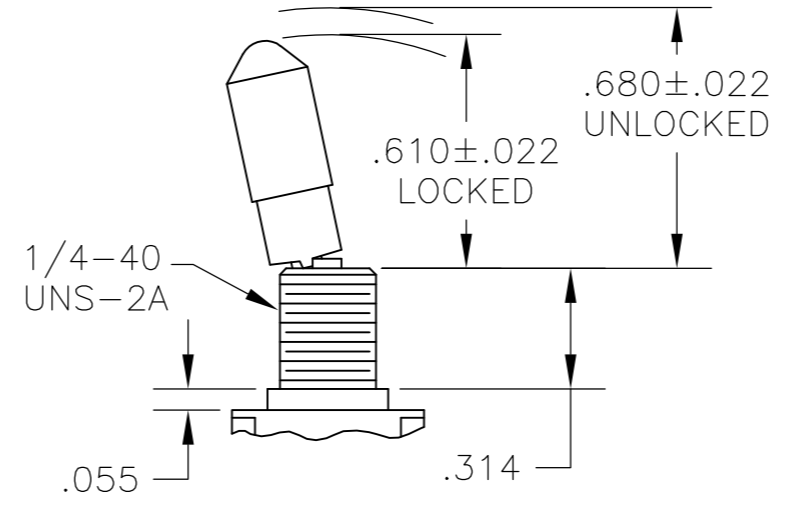
M SHORT



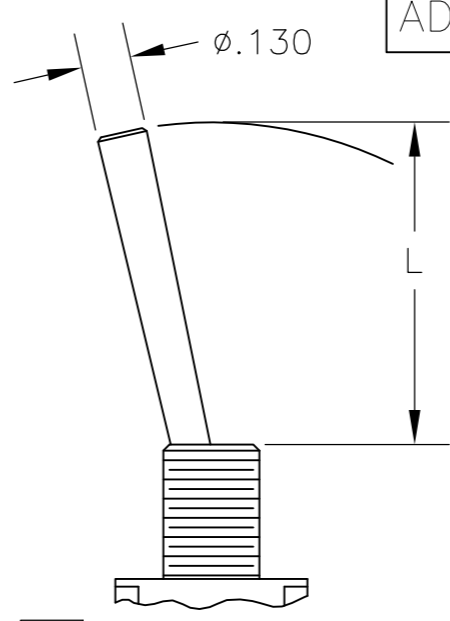
S STANDARD



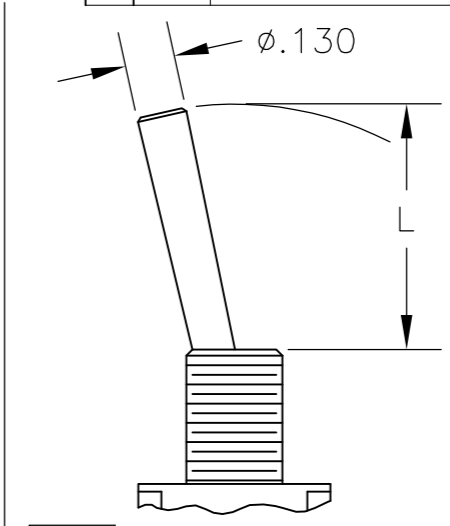
K NO BUSHING OPTION NEEDED



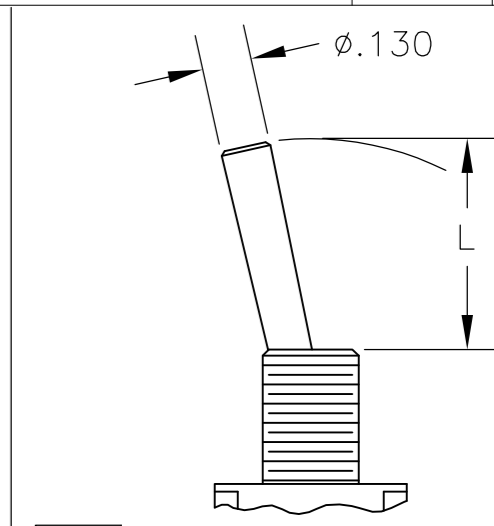
K1 NO BUSHING OPTION NEEDED



L LEVER



L1 LEVER



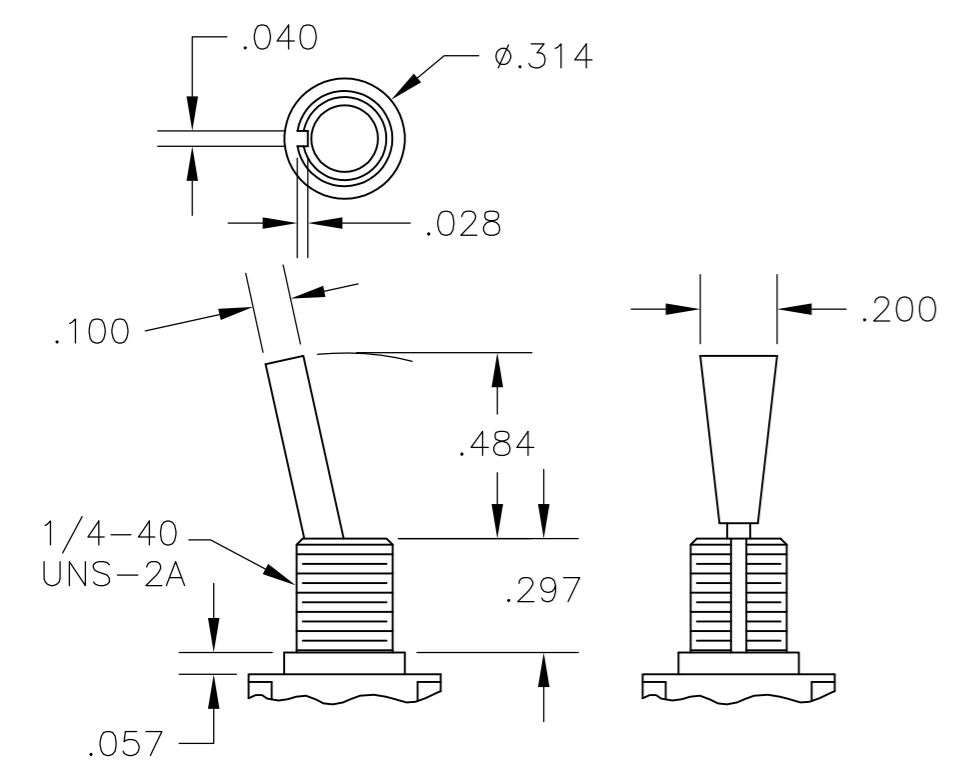
L2 LEVER

| DIM L | BUSHING TYPE | DIM L | BUSHING TYPE |
|-------|--------------|-------|--------------|
| .200 | Y, H | .410 | Y, H |
| .270 | D, D9 | .480 | D, D9 |

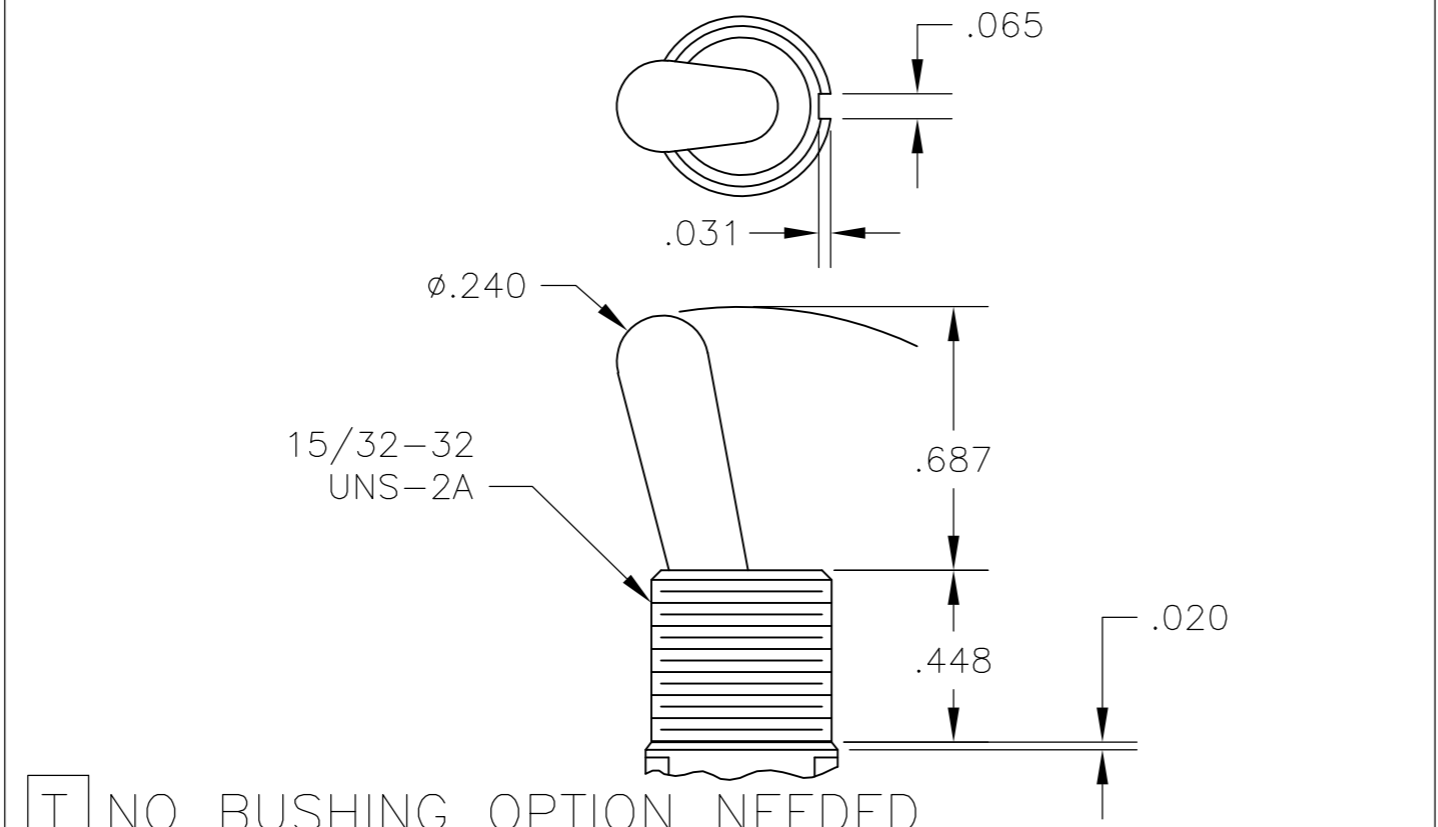
| DIM L | BUSHING TYPE | DIM L | BUSHING TYPE | DIM L | BUSHING TYPE |
|-------|--------------|-------|--------------|-------|--------------|
| .840 | Y, H | .640 | Y, H | .550 | Y, H |
| .910 | D, D9 | .710 | D, D9 | .620 | D, D9 |

| REVISES | | DATE | DWN | APVD |
|-------------|-----|------|-----|------|
| P | LTR | | | |
| SEE SHEET 1 | | | | |

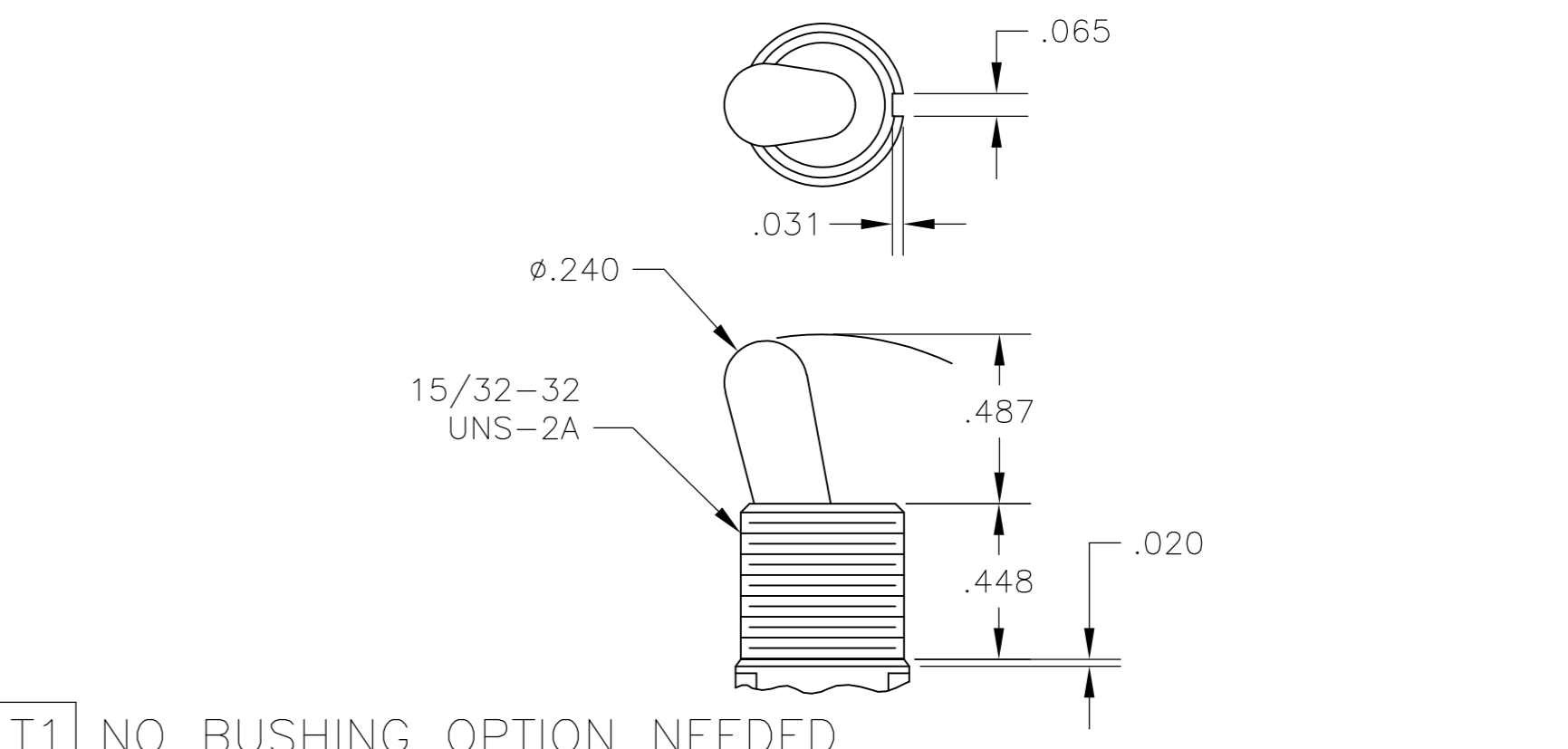
Loc AD
Dist 00



P3 NO BUSHING OPTION NEEDED

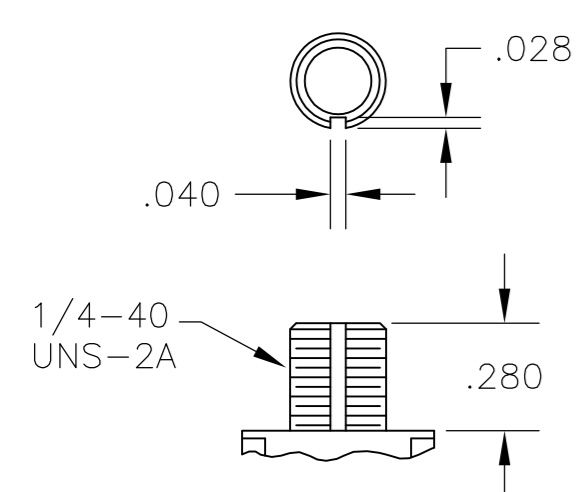


T NO BUSHING OPTION NEEDED

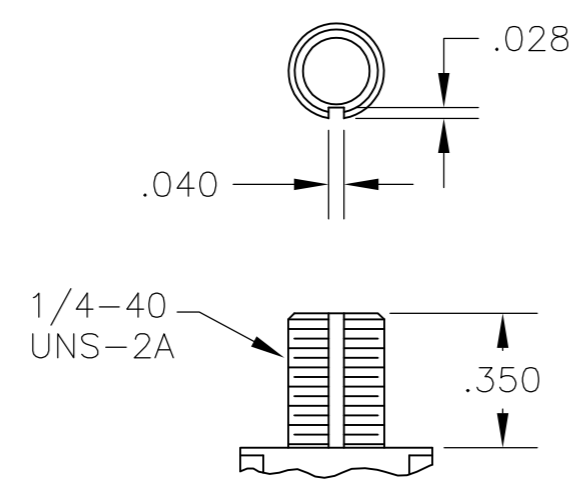


T1 NO BUSHING OPTION NEEDED

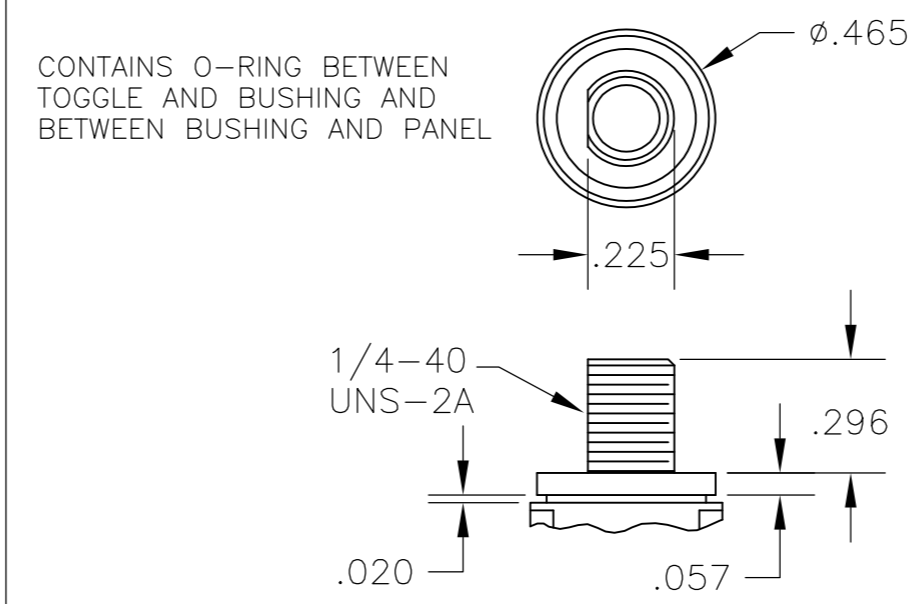
BUSHINGS



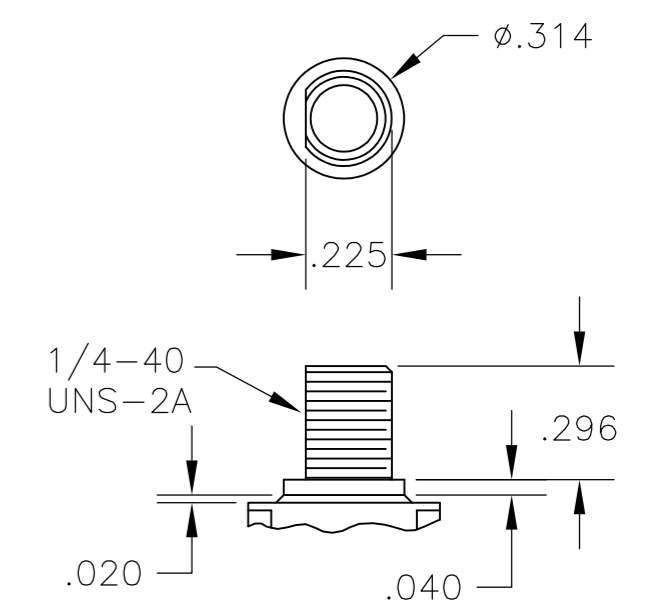
D THREADED
D9 UNTHREADED



Y THREADED
Y9 UNTHREADED



CW THREADED SPLASHPROOF



H HIGH TORQUE

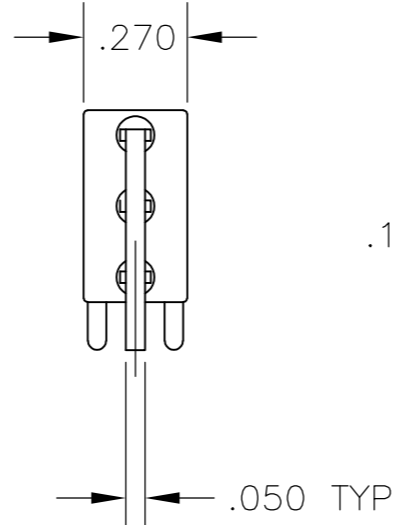
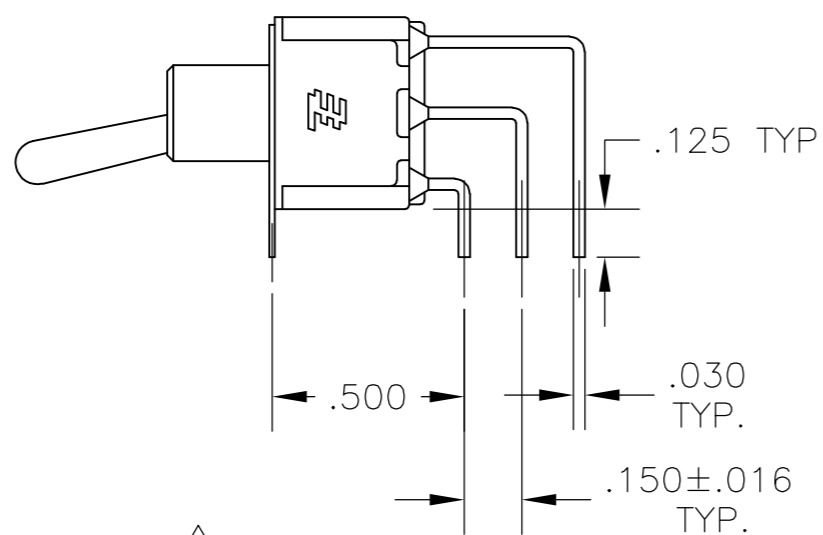
CONTAINS O-RING BETWEEN TOGGLE AND BUSHING AND BETWEEN BUSHING AND PANEL

THIS DRAWING IS A CONTROLLED DOCUMENT.

| | | | | |
|--------------------|--|------------------|---------------|---|
| DIMENSIONS: INCHES | TOLERANCES UNLESS OTHERWISE SPECIFIED: | DWN M. ZITTO | 18MAY05 | TE Connectivity |
| | 0 PLC ± - | CHK M. ZITTO | - | |
| | 1 PLC ± - | APVD M. ZITTO | - | |
| | 2 PLC ± - | PRODUCT SPEC | - | |
| | 3 PLC ± .010 | APPLICATION SPEC | - | |
| MATERIAL | FINISH | WEIGHT | - | NAME: GEMINI A SERIES TOGGLE SWITCH, SINGLE POLE, 3 POSITION FUNCTIONS (03, 05 & 07) SIZE: A2 CAGE CODE: 00779 DRAWING NO: C=1825137 RESTRICTED TO: - |
| CUSTOMER DRAWING | | SCALE: 2:1 | SHEET: 2 of 4 | REV: A7 |

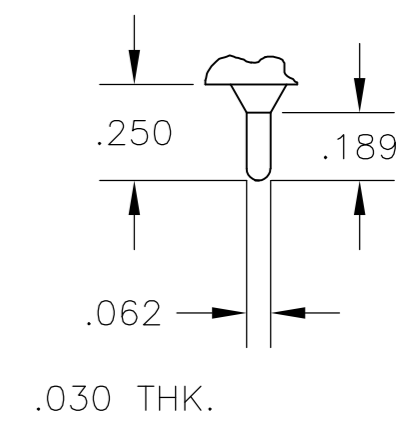
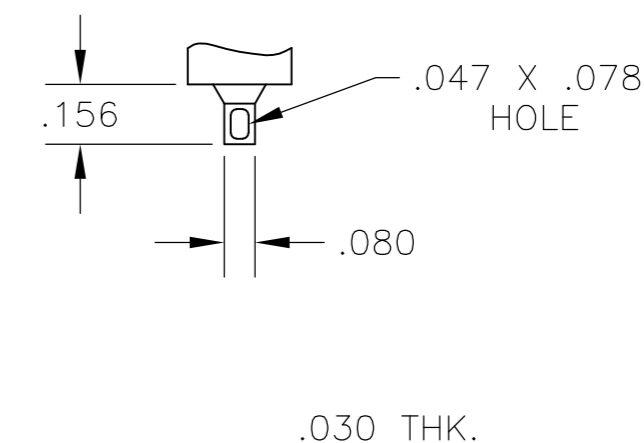
THIS DRAWING IS UNPUBLISHED. RELEASED FOR PUBLICATION
 © COPYRIGHT - By - ALL RIGHTS RESERVED.

| LOC | DIST | REVISIONS | | | | | |
|-----|------|-----------|-----|-------------|------|-----|------|
| AD | 00 | P | LTR | DESCRIPTION | DATE | DWN | APVD |
| | | - | - | SEE SHEET 1 | - | - | - |

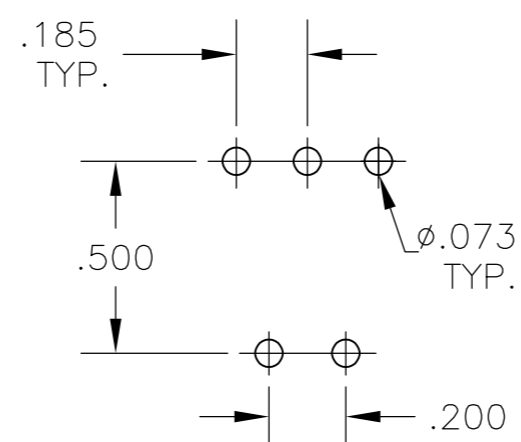
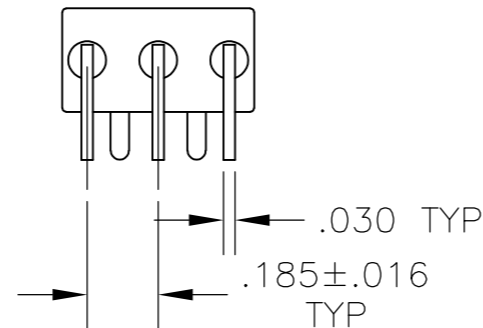
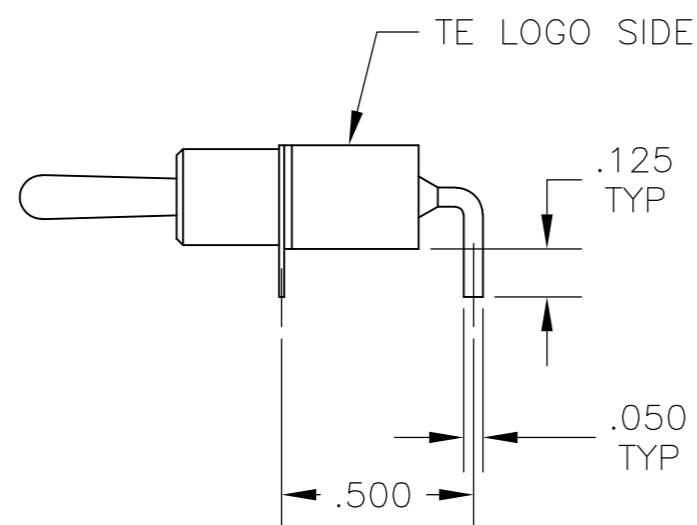
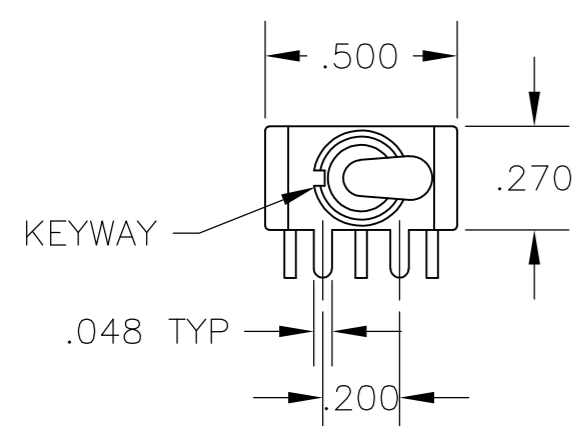


AV2 VERTICAL RIGHT ANGLE

Z WIRE LUG

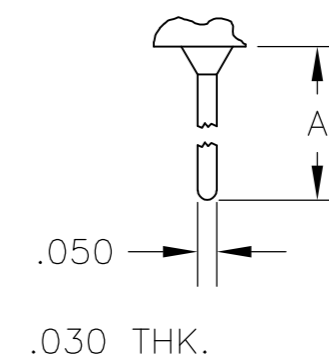


Z3 QUICK CONNECT

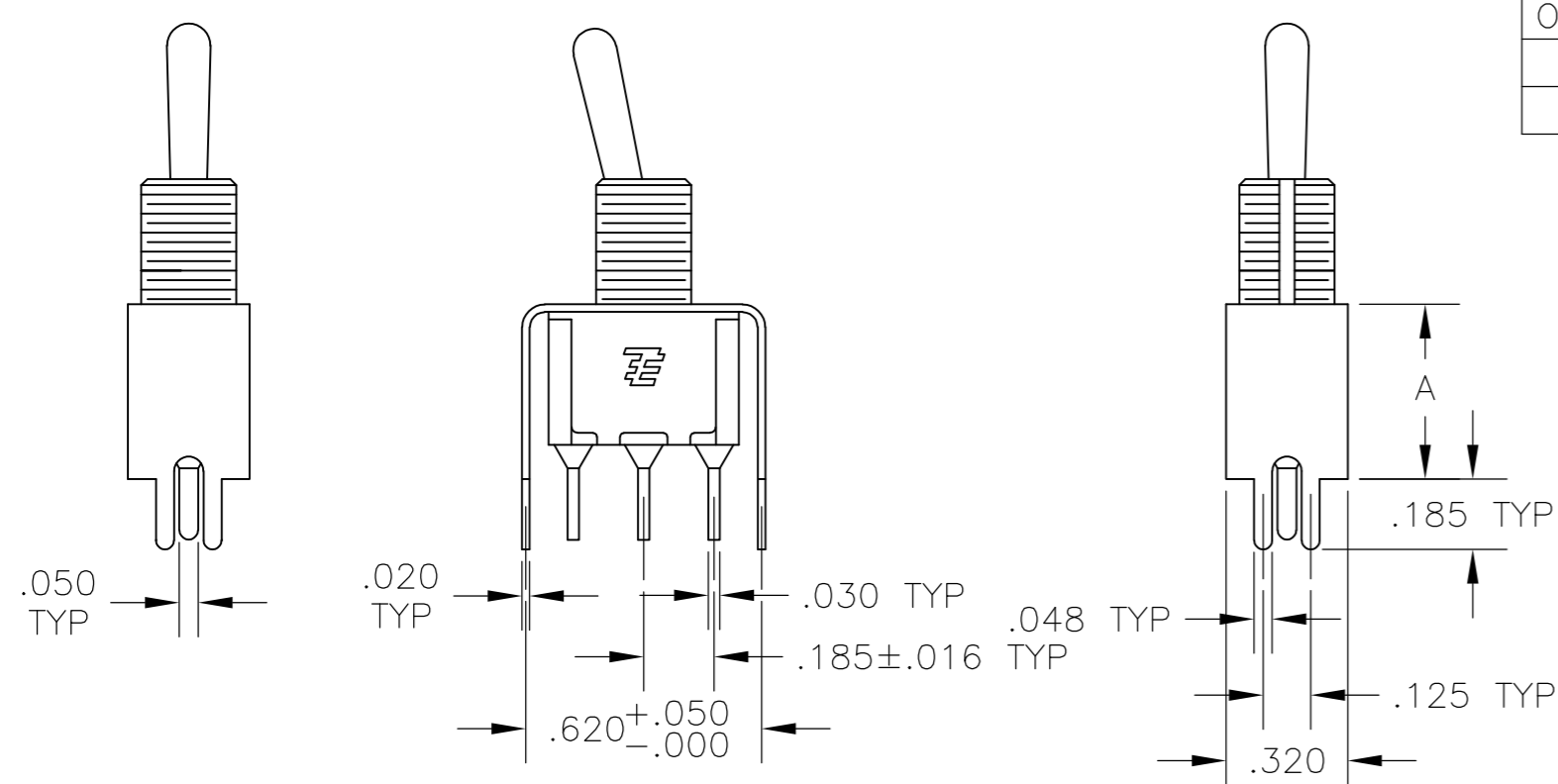


A RIGHT ANGLE

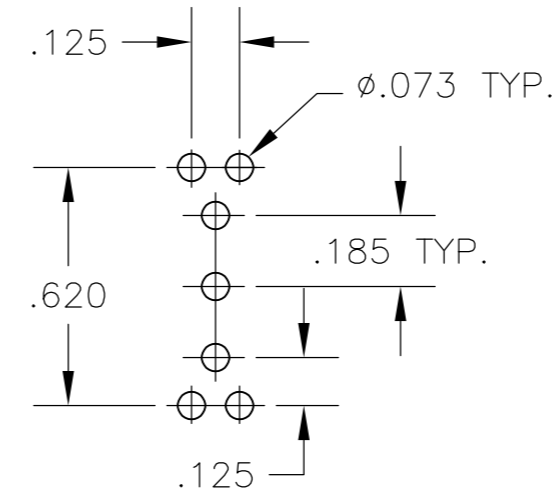
W W4 WIRE WRAP



| OPTION | DIM A |
|--------|-------|
| W | .736 |
| W4 | 1.062 |

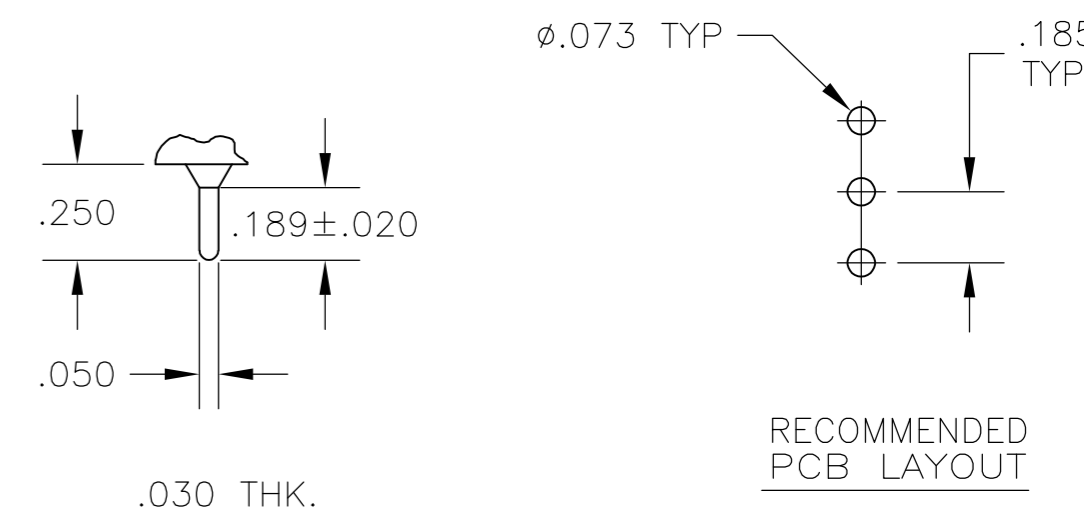


| OPTION | DIM A |
|--------|-------|
| V30 | .460 |
| V40 | .630 |



V30 V40 VERTICAL SUPPORT BRACKET

C PRINTED CIRCUIT



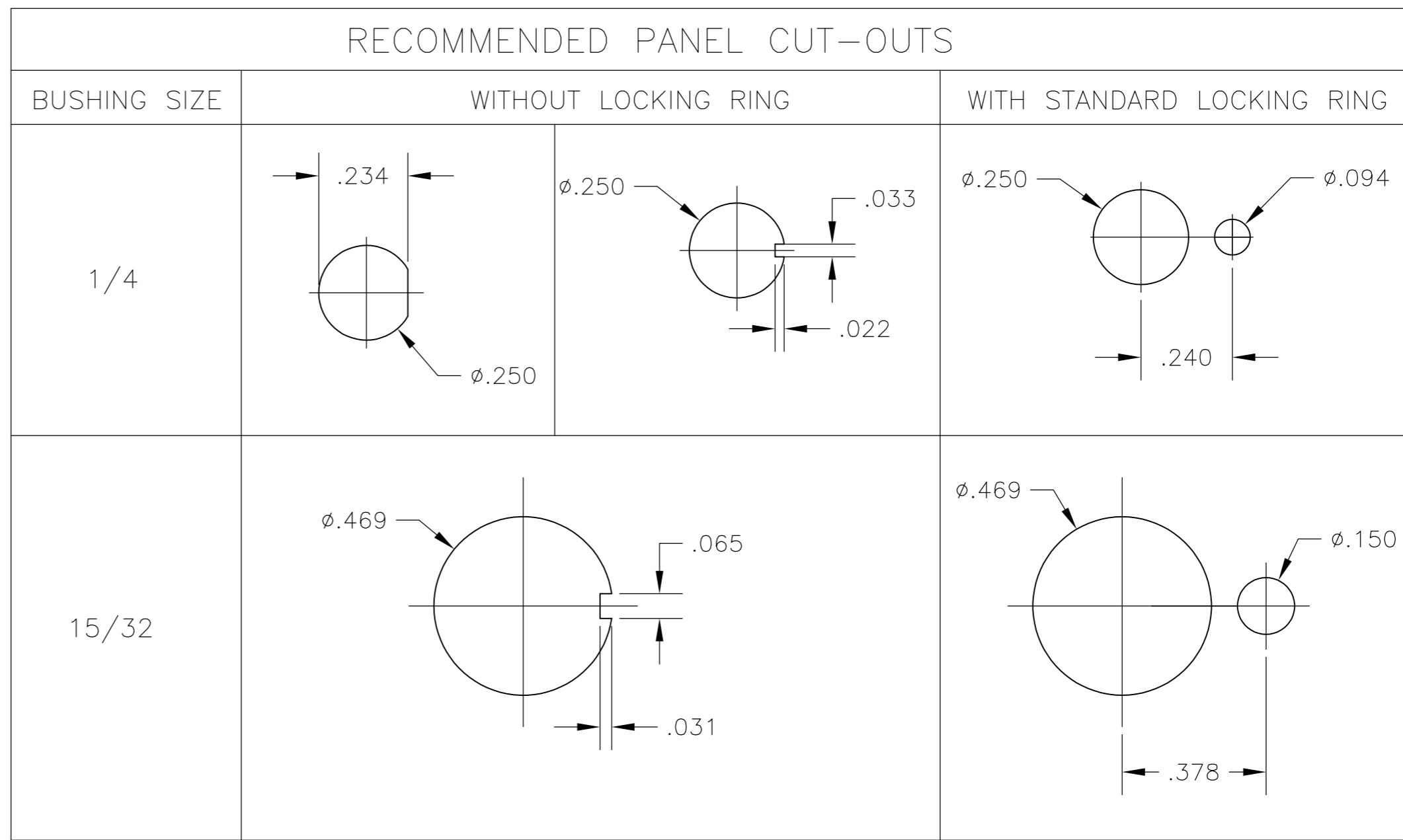
THIS DRAWING IS A CONTROLLED DOCUMENT.

| | | | | |
|--------------------|--|----------------------|-------------------------------|--|
| DIMENSIONS: INCHES | TOLERANCES UNLESS OTHERWISE SPECIFIED: | DWN M. ZITTO 18MAY05 | | NAME |
| | 0 PLC ± - | CHK M. ZITTO | | GEMINI A SERIES TOGGLE SWITCH, SINGLE POLE, 3 POSITION FUNCTIONS (03, 05 & 07) |
| | 1 PLC ± - | APVD M. ZITTO | | SIZE CAGE CODE DRAWING NO RESTRICTED TO |
| | 2 PLC ± - | PRODUCT SPEC | | A2 00779 C-1825137 |
| | 3 PLC ± .010 | APPLICATION SPEC | SCALE 2:1 SHEET 3 OF 4 REV A7 | |
| | 4 PLC ± - | WEIGHT | | |
| MATERIAL | FINISH | CUSTOMER DRAWING | | |

THIS DRAWING IS UNPUBLISHED. RELEASED FOR PUBLICATION
 © COPYRIGHT - By - ALL RIGHTS RESERVED.

| | | | | | | | |
|-----|------|-----------|-----|-------------|------|-----|------|
| LOC | DIST | REVISIONS | | | | | |
| AD | 00 | P | LTR | DESCRIPTION | DATE | DWN | APVD |
| | | - | | SEE SHEET 1 | - | - | - |

| Alco P/N | P/N | |
|------------------------|------------------------|-------------|
| A103KZQ04 | 1825137-1 | |
| A103MD9AB04 | 1825137-2 | |
| A103MD9AG04 | 1825137-3 | |
| A103MD9AQ04 | 1825137-4 | |
| A103MD9AV2B04 | 1825137-5 | |
| A103P3ZQ04 | 1825137-6 | |
| A103SD9AQ04 | 1825137-7 | |
| A103SD9AV2B04 | 1825137-8 | |
| A103SD9AV2Q04 | 1825137-9 | |
| A103SDCB04 | 1-1825137-0 | |
| A103SDCQ04 | 1-1825137-1 | |
| A103SDZQ04 | 1-1825137-2 | |
| A103SYAQ04 | 1-1825137-3 | |
| A103SYAV2Q04 | 1-1825137-4 | |
| A103SYCB04 | 1-1825137-5 | |
| A103SYCQ04 | 1-1825137-6 | |
| A103SYWB04 | 1-1825137-7 | |
| A103SYWQ04 | 1-1825137-8 | |
| A103SYZB04 | 1-1825137-9 | |
| A103SYZQ04 | 2-1825137-0 | |
| A103T1CG04 | 2-1825137-1 | |
| A103T1ZQ04 | 2-1825137-2 | |
| A103TZQ04 | 2-1825137-3 | |
| A105MD9AB04 | 2-1825137-4 | |
| A105MD9AQ04 | 2-1825137-5 | |
| A105MYV30Q04 | 2-1825137-6 | |
| A105P3CG04 | 2-1825137-7 | |
| A105P3CQ04 | 2-1825137-8 | |
| A105P3ZQ04 | 2-1825137-9 | |
| A103MDAB04 | 3-1825137-0 | |
| A105SD9AB04 | 3-1825137-1 | |
| A105SD9AV2Q04 | 3-1825137-2 | |
| A105SD9V30B04 | 3-1825137-3 | |
| A105SYAB04 | 3-1825137-4 | |
| A105SYAV2B04 | 3-1825137-5 | |
| A105SYCB04 | 3-1825137-6 | |
| A105SYCQ04 | 3-1825137-7 | |
| A105SYZB04 | 3-1825137-8 | |
| A105SYZQ04 | 3-1825137-9 | |
| A105T1ZB04 | 4-1825137-0 | |
| A105T1ZQ04 | 4-1825137-1 | |
| A105TZQ04 | 4-1825137-2 | |
| A107KAV2Q04 | 4-1825137-3 | OBSOLETE |
| A107KZB04 | 4-1825137-4 | |
| A107MD9AV2B04 | 4-1825137-5 | |
| A107MD9CQ04 | 4-1825137-6 | |
| A107MD9V30Q04 | 4-1825137-7 | |
| A107P3ZQ04 | 4-1825137-8 | |
| A107SYAQ04 | 4-1825137-9 | |
| A107SYCB04 | 5-1825137-0 | |
| A107SYCQ04 | 5-1825137-1 | |
| A107SYZQ04 | 5-1825137-2 | |
| A107TZB04 | 5-1825137-3 | |
| A105MD9AV2B | 5-1825137-4 | |
| A103MD9V30B04 | 5-1825137-5 | PRELIMINARY |
| A103MCWCB04 | 5-1825137-6 | PRELIMINARY |
| A103SCWCB04 | 5-1825137-7 | PRELIMINARY |



MATERIALS CHART

| COMPONENT NAME | BASE MATERIAL | FINISH |
|------------------------|---------------------------|------------------|
| CASE | DAP, RED, UL94 V-0 | |
| FRAME | STAINLESS STEEL | |
| B TERMINALS & CONTACTS | COPPER | GOLD OVER NICKEL |
| G TERMINALS & CONTACTS | COPPER | GOLD OVER SILVER |
| Q TERMINALS & CONTACTS | COPPER | .000400 SILVER |
| ACTUATOR | PHENOLIC, BLACK, UL94 V-1 | |
| LEVER | BRASS | CHROME |
| BUSHING | BRASS | NICKEL |
| SPRING | MUSIC WIRE | |
| SUPPORT BRACKET | BRASS | TIN |
| PIVOT PIN | STEEL | NICKEL |
| LOCK WASHER | STAINLESS STEEL | |
| LOCKING RING | STAINLESS STEEL | |
| NUTS | C3604BD BRASS | NICKEL |
| TERMINAL SEAL | EPOXY | |

| | | | | | | | | | | | | | | | | | | | | | |
|--|--------|------------------|---------|---------------------------|-----------|------------|---------------|---|-------|---|---|-------|---|------|-------|---|---|--------|---|----|--------------|
| THIS DRAWING IS A CONTROLLED DOCUMENT. | | DWN M. ZITTO | 18MAY05 | TE TE Connectivity | | | | | | | | | | | | | | | | | |
| DIMENSIONS: INCHES | | CHK M. ZITTO | | | | | | | | | | | | | | | | | | | |
| TOLERANCES UNLESS OTHERWISE SPECIFIED: | | APVD M. ZITTO | | | | | | | | | | | | | | | | | | | |
| <table border="1"> <tr><td>0 PLC</td><td>±</td><td>-</td></tr> <tr><td>1 PLC</td><td>±</td><td>-</td></tr> <tr><td>2 PLC</td><td>±</td><td>-</td></tr> <tr><td>3 PLC</td><td>±</td><td>.010</td></tr> <tr><td>4 PLC</td><td>±</td><td>-</td></tr> <tr><td>ANGLES</td><td>±</td><td>2°</td></tr> </table> | | 0 PLC | ± | | - | 1 PLC | ± | - | 2 PLC | ± | - | 3 PLC | ± | .010 | 4 PLC | ± | - | ANGLES | ± | 2° | PRODUCT SPEC |
| 0 PLC | ± | - | | | | | | | | | | | | | | | | | | | |
| 1 PLC | ± | - | | | | | | | | | | | | | | | | | | | |
| 2 PLC | ± | - | | | | | | | | | | | | | | | | | | | |
| 3 PLC | ± | .010 | | | | | | | | | | | | | | | | | | | |
| 4 PLC | ± | - | | | | | | | | | | | | | | | | | | | |
| ANGLES | ± | 2° | | | | | | | | | | | | | | | | | | | |
| MATERIAL | FINISH | WEIGHT | SCALE | SIZE | CAGE CODE | DRAWING NO | RESTRICTED TO | | | | | | | | | | | | | | |
| - | - | - | 3:1 | A2 | 00779 | C=1825137 | - | | | | | | | | | | | | | | |
| CUSTOMER DRAWING | | | | SHEET | 4 | OF 4 | REV A7 | | | | | | | | | | | | | | |



Компания «ЭлектроПласт» предлагает заключение долгосрочных отношений при поставках импортных электронных компонентов на взаимовыгодных условиях!

Наши преимущества:

- Оперативные поставки широкого спектра электронных компонентов отечественного и импортного производства напрямую от производителей и с крупнейших мировых складов;
- Поставка более 17-ти миллионов наименований электронных компонентов;
- Поставка сложных, дефицитных, либо снятых с производства позиций;
- Оперативные сроки поставки под заказ (от 5 рабочих дней);
- Экспресс доставка в любую точку России;
- Техническая поддержка проекта, помощь в подборе аналогов, поставка прототипов;
- Система менеджмента качества сертифицирована по Международному стандарту ISO 9001;
- Лицензия ФСБ на осуществление работ с использованием сведений, составляющих государственную тайну;
- Поставка специализированных компонентов (Xilinx, Altera, Analog Devices, Intersil, Interpoint, Microsemi, Aeroflex, Peregrine, Syfer, Eurofarad, Texas Instrument, Miteq, Cobham, E2V, MA-COM, Hittite, Mini-Circuits, General Dynamics и др.);

Помимо этого, одним из направлений компании «ЭлектроПласт» является направление «Источники питания». Мы предлагаем Вам помощь Конструкторского отдела:

- Подбор оптимального решения, техническое обоснование при выборе компонента;
- Подбор аналогов;
- Консультации по применению компонента;
- Поставка образцов и прототипов;
- Техническая поддержка проекта;
- Защита от снятия компонента с производства.



Как с нами связаться

Телефон: 8 (812) 309 58 32 (многоканальный)

Факс: 8 (812) 320-02-42

Электронная почта: org@eplast1.ru

Адрес: 198099, г. Санкт-Петербург, ул. Калинина, дом 2, корпус 4, литера А.