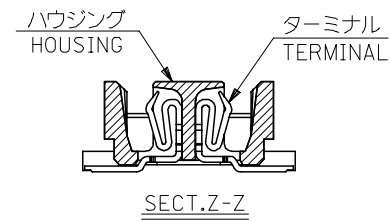
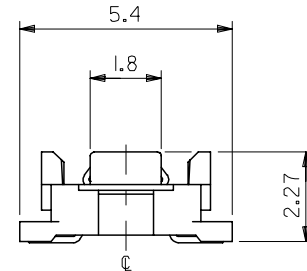


参考基板レイアウト (マウント面)
P.C. BOARD PATTERN
DIMENSION. (REF.)
(MOUNTING AREA)

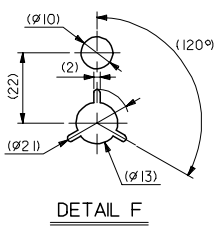
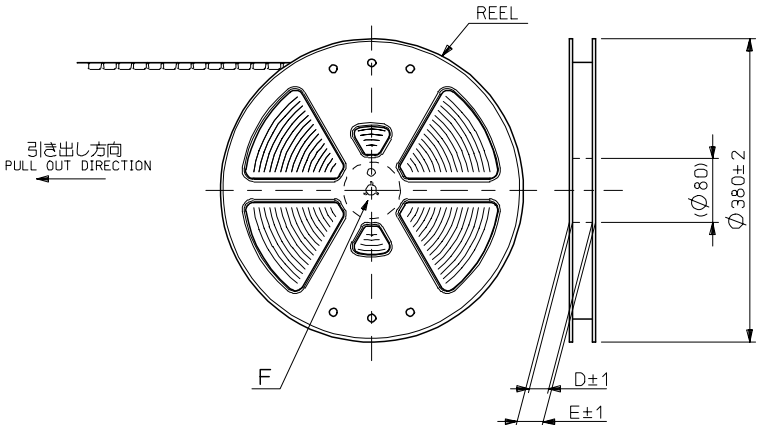


注記 NOTES:

1. 使用材料 MATERIAL
ハウジング: LCPガラス入り (黒) UL94V-0
HOUSING: LCP(G.F.)(COLOR :BLACK),
UL94V-0
ターミナル: リン青銅 (t=0.15)
TERMINAL: PHOSPHOR BRONZE (t=0.15)
2. メッキ仕様 PLATING
全体仕上げ: 金メッキ 0.1 MICROMETER MIN.
ALL OVER : GOLD 0.1 MICROMETER MIN.
下地メッキ: ニッケルメッキ 1.5 MICROMETER MIN.
UNDER PLATING : NICKEL 1.5 MICROMETER MIN.
3. 基準面 [X] からのソルダーテールの半田付け面のズレ量は、上方向 0、
下方向 0.15MAX. とする。
MISALIGNMENT OF SOLDER TAIL FROM [X]
: UPPER DIRECTION 0, LOWER DIRECTION 0.15 MAX.
4. (全極数/2) = 偶数の場合に適用。
APPLY FOR (CIRCUIT/2)=EVEN.
5. 嵌合相手: 53748 シリーズ, 53916 シリーズ, 502280 シリーズ
MATE WITH : 53748 SERIES, 53916 SERIES, 502280 SERIES.
6. テール平坦度は、0.1MAX.
TAIL COPLANARITY TO BE 0.1MAX.

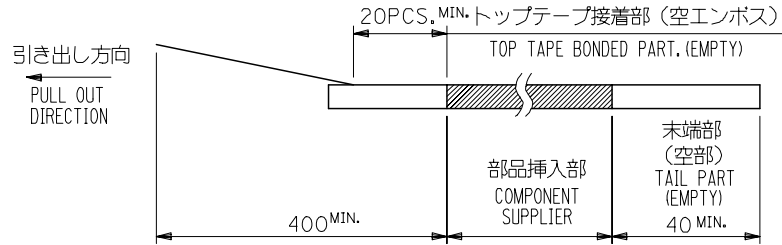
20.2	19.5	23.8	54167-0801	80
17.7	17.0	21.3	-0701	70
15.2	14.5	18.8	-0601	60
12.7	12.0	16.3	-0501	50
10.2	9.5	13.8	-0401	40
7.7	7.0	11.3	-0301	30
5.2	4.5	8.8	54167-0201	20
C	B	A	MATERIAL NO.	極数 CIRCUIT

REVISED EC NO: J2007-0273 DRWN: TENAGASE 2006/07/28 CHKD: THARUYAMA 2006/08/03 APPR: NUKITA 2006/08/07	GENERAL TOLERANCES (UNLESS SPECIFIED)		DIMENSION STYLE MM ONLY		SCALE ---	DESIGN UNITS METRIC	THIRD ANGLE PROJECTION
	10 UNDER	±0.2	DRAWN BY S. AIHARA	DATE '96/11/28	TITLE 0.5 B/B CONN REC HSG ASSY(W/O BOSS, W/O NAIL) -LEAD FREE-		
	10 OVER 30 UNDER	±0.25	CHECKED BY M. SASAO	DATE '01/12/26	MOLEX INCORPORATED		
	30 OVER	±0.3	APPROVED BY M. SASAO	DATE '01/12/26	DOCUMENT NO. SD-54167-001	SHEET NO. 1 OF 1	
	ANGULAR	±3 °	MATERIAL NO. SEE CHART		THIS DRAWING CONTAINS INFORMATION THAT IS PROPRIETARY TO MOLEX INCORPORATED AND SHOULD NOT BE USED WITHOUT WRITTEN PERMISSION		
	DRAFT WHERE APPLICABLE MUST REMAIN WITHIN DIMENSIONS		SIZE A3				

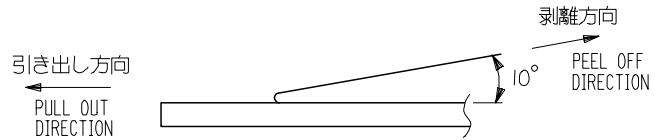


NOTES

- 製品詳細寸法については図面 SD-54167-001 を参照下さい。
RE DETAILED DIMENSION, SEE SD-54167-001
- 梱包数量：3000個/リール
NUMBER OF CONNECTORS : 3000PCS/REEL
- リードテープ長さ LEAD TAPE LENGTH



- トップテープの剥離強度：0.1N~1.3 (10gf~130gf) (剥離方向は下図参照) 尚、本規格値は出荷時に適用。(但し、輸送時に剥離が発生しないこと。)
PEELING OFF FORCE OF TOP TAPE : 0.1N~1.3 (10gf~130gf)
(PEELING DIRECTION AS SHOWN IN FOLLOWING FIG.)
THIS REQUIREMENT SHOULD BE APPLIED AT SHIPMENT.
PEEL OFF SHOULD NOT BE ALLOWED , DURING TRANSPORTATION.



- 材料(MATERIAL)
キャリアテープ(CARRIER TAPE)：ポリプロピレン(POLYPROPYLENE)
トップテープ(TOPTAPE)：PET , PE , PEF
リール(REEL)：ポリスチレン (PS) <リサイクル材を含む>
POLYSTYREN(PS) <RECYCLE MATERIAL CONTAINED>

54167***8 MODEL NO.

REVISED EC NO: J2006-0604 DRW:NAIDA 2005/08/31 CHKD:KTOYODA 2005/09/01 APPR:NUKITA 2005/09/09	GENERAL TOLERANCES (UNLESS SPECIFIED)		DIMENSION STYLE MM ONLY	SCALE ---	DESIGN UNIT'S METRIC	THIRD ANGLE PROJECTION
	10 UNDER	± 0.2	DRAWN BY S. AIHARA	DATE '96/11/25	TITLE 0.5 B/B CONN REC HSG ASSY EMBSTP PKG -LEAD FREE-	
	10 OVER 30 UNDER	± 0.25	CHECKED BY T. ITO	DATE '00/12/06	MOLEX INCORPORATED	
	30 OVER	± 0.3	APPROVED BY M. FUKUSHIMA	DATE '00/12/06	DOCUMENT NO. SD-54167-002	SHEET NO. 1 OF 6
	ANGULAR	± 3 °	MATERIAL NO. SEE CHART			
DRAFT WHERE APPLICABLE MUST REMAIN WITHIN DIMENSIONS		SIZE A3	THIS DRAWING CONTAINS INFORMATION THAT IS PROPRIETARY TO MOLEX INCORPORATED AND SHOULD NOT BE USED WITHOUT WRITTEN PERMISSION			

10 9 8 7 6 5 4 3 2 1

F

E

D

C

B

A

F

E

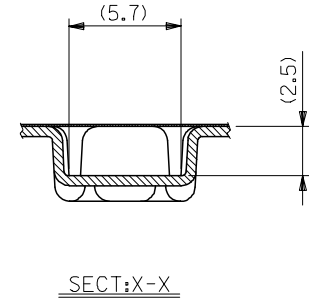
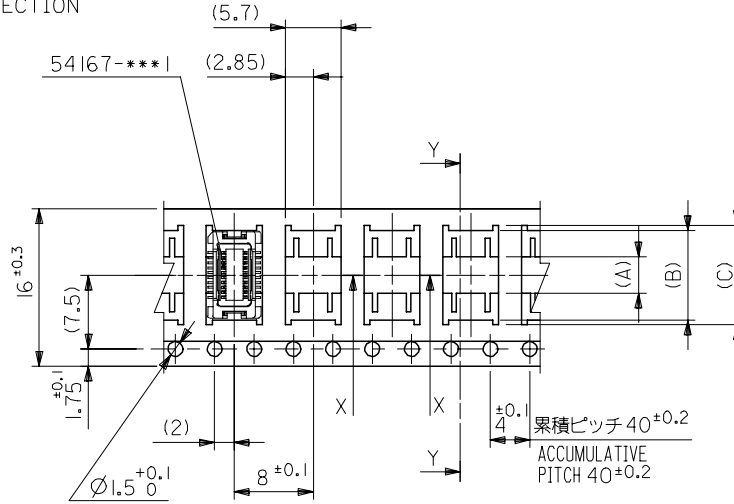
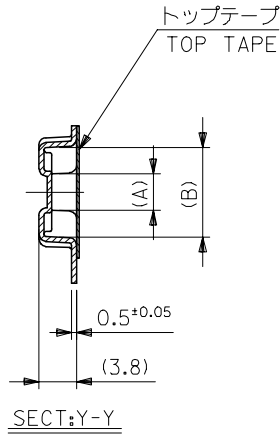
D

C

B

A

引き出し方向
PULL OUT DIRECTION



16mm幅キャリアテープ
16mm WIDTH CARRIER TAPE

REVISED		EC NO: J2006-0604		2005/08/31		2005/09/01		2005/09/09		54167***8		MODEL NO.		16		21.4		17.4		10.1		9.1		3.7		54167-0208		20	
DRWN:NAIDA		CHKD:TOYODA		APPR:NUKITA		GENERAL TOLERANCES (UNLESS SPECIFIED)		DIMENSION STYLE		SCALE		DESIGN UNITS		THIRD ANGLE PROJECTION		DRAWN BY		DATE		TITLE		CARRIER TAPE WIDTH		MATERIAL NO.		極数			
10 UNDER		± ---		10 OVER		30 UNDER		MM ONLY		---		METRIC		S. AIHARA		'97/05/09		0.5 B/B CONN REC HSG		ASSY EMBSTP PKG		(C)		(B)		(A)			
30 OVER		± ---		ANGULAR		± --- °		DRAWN BY		DATE		M. FUKUSHIMA		'00/12/06		T. ITO		'00/12/06		-LEAD FREE-		MATERIAL NO.		DOCUMENT NO.		SHEET NO.			
DRAFT WHERE APPLICABLE		MUST REMAIN		WITHIN DIMENSIONS		SEE CHART		MATERIAL NO.		DOCUMENT NO.		SD-54167-002		2 OF 6		MOLEX INCORPORATED													
THIS DRAWING CONTAINS INFORMATION THAT IS PROPRIETARY TO MOLEX INCORPORATED AND SHOULD NOT BE USED WITHOUT WRITTEN PERMISSION																													

9

8

7

6

5

4

3

2

10 9 8 7 6 5 4 3 2 1

F

E

D

C

B

A

F

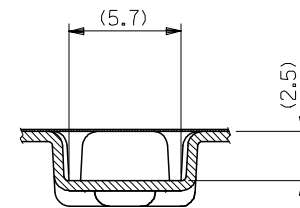
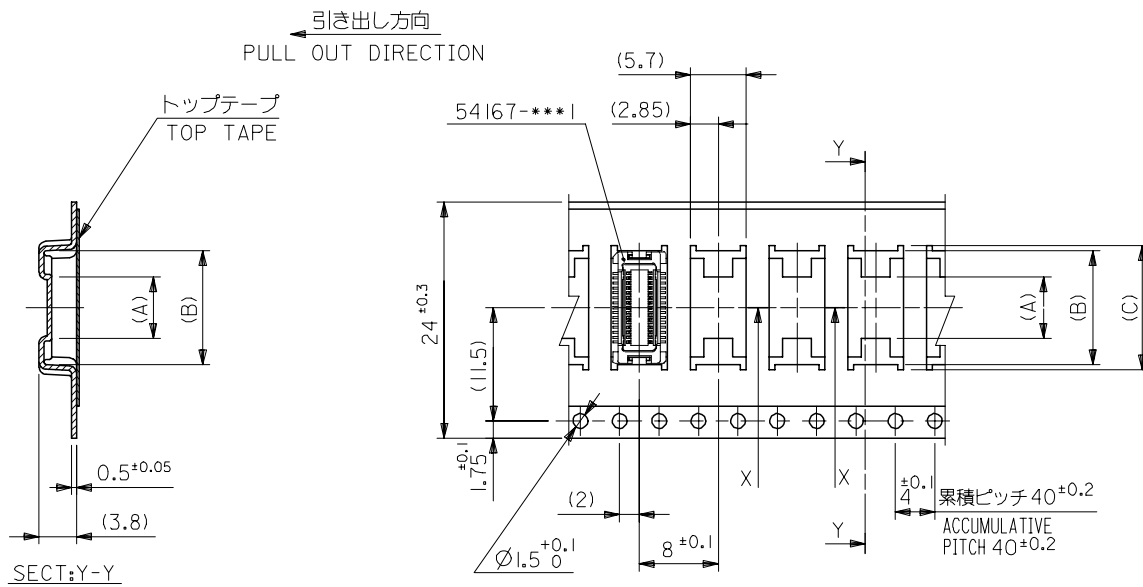
E

D

C

B

A



SECT:X-X

24mm幅キャリアテープ
24mm WIDTH CARRIER TAPE

24	29.4	25.4	15.1	14.1	7.4	54167-0408	40
			12.6	11.6	4.9	54167-0308	30
キャリアテープ幅 CARRIER TAPE WIDTH	E	D	(C)	(B)	(A)	MATERIAL NO.	極数 CIRCUIT

REVISED	DESCRIPTION
EC NO: J2006-0604	2005/08/31
DRW:NAIDA	2005/09/01
CHK:KTOYODA	2005/09/01
APP:NUKITA	2005/09/09

54167***8	MODEL NO.
GENERAL TOLERANCES (UNLESS SPECIFIED)	
10 UNDER	± ---
10 OVER 30 UNDER	± ---
30 OVER	± ---
ANGULAR	± --- °
DRAFT WHERE APPLICABLE MUST REMAIN WITHIN DIMENSIONS	

DIMENSION STYLE MM ONLY	
DRAWN BY	DATE
S. AIHARA	'97/05/09
CHECKED BY	DATE
T. ITO	'00/12/06
APPROVED BY	DATE
M. FUKUSHIMA	'00/12/06
MATERIAL NO.	DOCUMENT NO.
SEE CHART	SD-54167-002
SIZE	
A3	

SCALE	DESIGN UNITS	THIRD ANGLE PROJECTION
---	METRIC	
TITLE		
0.5 B/B CONN REC HSG ASSY EMBSTP PKG -LEAD FREE-		
MOLEX INCORPORATED		
SHEET NO.		
3 OF 6		

10 9 8 7 6 5 4 3 2 1

F

E

D

C

B

A

F

E

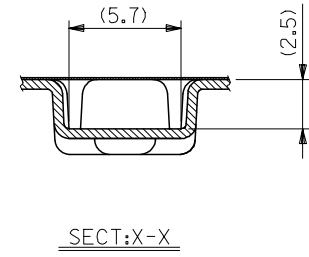
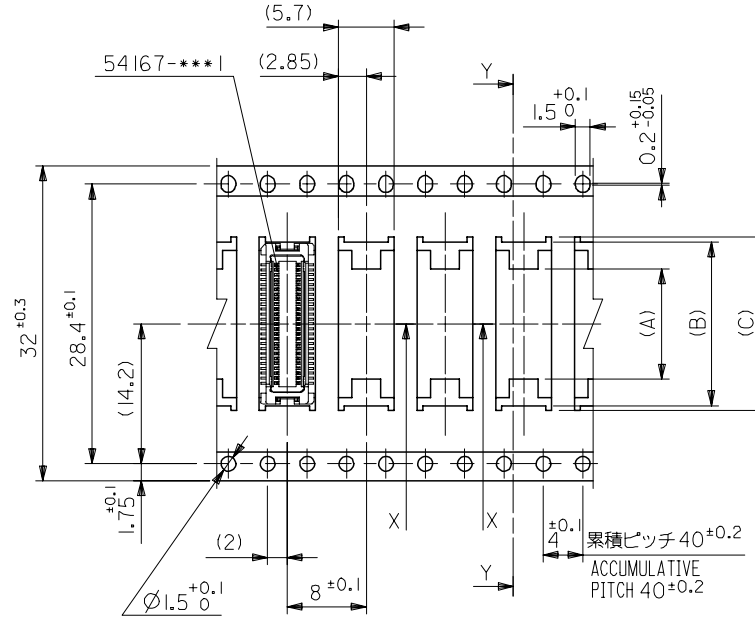
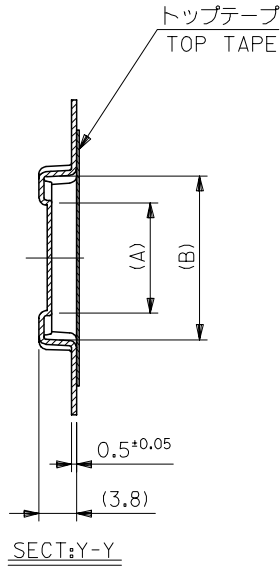
D

C

B

A

引き出し方向
PULL OUT DIRECTION



32mm幅キャリアテープ
32mm WIDTH CARRIER TAPE

REVISED		EC NO: J2006-0604		2005/08/31		2005/09/01		2005/09/09		54167***8		MODEL NO.		32		37.4		33.4		17.6		16.6		11.2		54167-0508		50	
DRAWN BY		DATE		TITLE		DIMENSION STYLE		SCALE		DESIGN UNITS		THIRD ANGLE PROJECTION		DRAWN BY		DATE		TITLE		DIMENSION STYLE		SCALE		DESIGN UNITS		THIRD ANGLE PROJECTION			
S. AIHARA		'96/11/25		0.5 B/B CONN REC HSG ASSY EMBSTP PKG -LEAD FREE-		MM ONLY		---		METRIC		⊙ □		T. ITO		'00/12/06				---		---		---		---			
CHECKED BY		DATE		APPROVED BY		DATE		MATERIAL NO.		DOCUMENT NO.		SHEET NO.		M. FUKUSHIMA		'00/12/06		moLEX		MOLEX INCORPORATED		SD-54167-002		4 OF 6					
GENERAL TOLERANCES (UNLESS SPECIFIED)		10 UNDER		± ---		10 OVER 30 UNDER		± ---		30 OVER		± ---		ANGULAR		± --- °		DRAFT WHERE APPLICABLE MUST REMAIN WITHIN DIMENSIONS		SEE CHART		THIS DRAWING CONTAINS INFORMATION THAT IS PROPRIETARY TO MOLEX INCORPORATED AND SHOULD NOT BE USED WITHOUT WRITTEN PERMISSION							

10 9 8 7 6 5 4 3 2 1

F

E

D

C

B

A

F

E

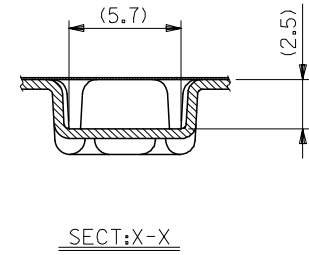
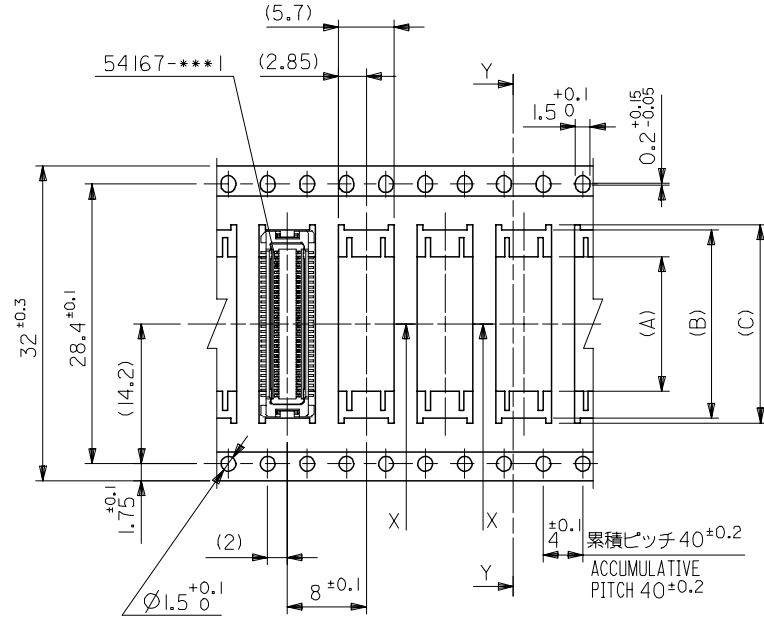
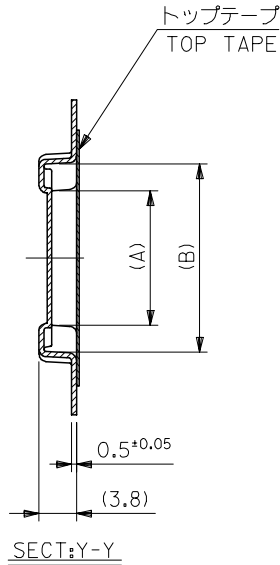
D

C

B

A

引き出し方向
PULL OUT DIRECTION



32mm幅キャリアテープ
32mm WIDTH CARRIER TAPE

REVISED EC NO: J2006-0604 DRW:NAIDA 2005/08/31 CHK:KTOYODA 2005/09/01 APP:NUKITA 2005/09/09	54167***8 MODEL NO.		32	37.4	33.4	20.1	19.1	13.7	54167-0608	60
	GENERAL TOLERANCES (UNLESS SPECIFIED)		キャリアテープ幅 CARRIER TAPE WIDTH	E	D	(C)	(B)	(A)	MATERIAL NO.	極数 CIRCUIT
	10 UNDER ± ---		DIMENSION STYLE MM ONLY		SCALE ---		DESIGN UNITS METRIC		THIRD ANGLE PROJECTION	
	10 OVER 30 UNDER ± ---		DRAWN BY T. YASUI		DATE '97/05/14		TITLE 0.5 B/B CONN REC HSG ASSY EMBSTP PKG -LEAD FREE-			
30 OVER ± ---		CHECKED BY T. ITO		DATE '00/12/06		MOLEX INCORPORATED				
ANGULAR ± 1 °		APPROVED BY M. FUKUSHIMA		DATE '00/12/06						
DRAFT WHERE APPLICABLE MUST REMAIN WITHIN DIMENSIONS		MATERIAL NO. SEE CAHRT		DOCUMENT NO. SD-54167-002		SHEET NO. 5 OF 6				
		SIZE A3		THIS DRAWING CONTAINS INFORMATION THAT IS PROPRIETARY TO MOLEX INCORPORATED AND SHOULD NOT BE USED WITHOUT WRITTEN PERMISSION						

9

8

7

6

5

4

3

2

10 9 8 7 6 5 4 3 2 1

F

E

D

C

B

A

F

E

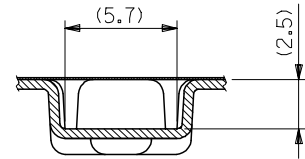
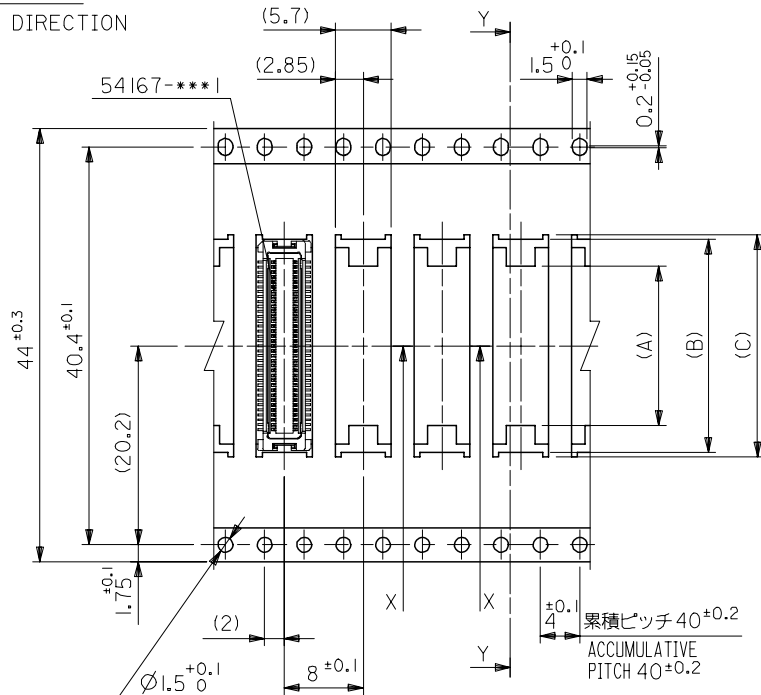
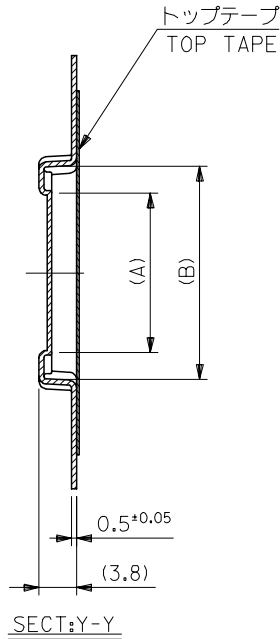
D

C

B

A

引き出し方向
PULL OUT DIRECTION



44mm幅キャリアテープ
44mm WIDTH CARRIER TAPE

REVISED	EC NO: J2006-0604	2005/08/31	DRWN:NAIDA	2005/09/01	CHKD:KTOYODA	2005/09/09	APPR:NUKITA	DESCRIPTION	54167***8	MODEL NO.	44	49.4	45.4	25.1	24.1	17.5	54167-0808	80	
								GENERAL TOLERANCES (UNLESS SPECIFIED)	10 UNDER	± ---	キャリアテープ幅 CARRIER TAPE WIDTH	E	D	(C)	(B)	(A)	MATERIAL NO.	極数 CIRCUIT	
								10 OVER 30 UNDER	± ---	DIMENSION STYLE	MM ONLY			SCALE	---	DESIGN UNITS	METRIC		THIRD ANGLE PROJECTION
								30 OVER	± ---	DRAWN BY	S. AIHARA	DATE	'98/10/23	TITLE	0.5 B/B CONN REC HSG ASSY EMBSTP PKG -LEAD FREE-				
								ANGULAR	± --- °	CHECKED BY	T. ITO	DATE	'00/12/06	APPROVED BY	M. FUKUSHIMA	DATE	'00/12/06	MOLEX INCORPORATED	
								DRAFT WHERE APPLICABLE MUST REMAIN WITHIN DIMENSIONS		MATERIAL NO.	SEE CHART			DOCUMENT NO.	SD-54167-002		SHEET NO.	6 OF 6	
										SIZE	THIS DRAWING CONTAINS INFORMATION THAT IS PROPRIETARY TO MOLEX INCORPORATED AND SHOULD NOT BE USED WITHOUT WRITTEN PERMISSION								

9

8

7

6

5

4

3

2



Компания «ЭлектроПласт» предлагает заключение долгосрочных отношений при поставках импортных электронных компонентов на взаимовыгодных условиях!

Наши преимущества:

- Оперативные поставки широкого спектра электронных компонентов отечественного и импортного производства напрямую от производителей и с крупнейших мировых складов;
- Поставка более 17-ти миллионов наименований электронных компонентов;
- Поставка сложных, дефицитных, либо снятых с производства позиций;
- Оперативные сроки поставки под заказ (от 5 рабочих дней);
- Экспресс доставка в любую точку России;
- Техническая поддержка проекта, помощь в подборе аналогов, поставка прототипов;
- Система менеджмента качества сертифицирована по Международному стандарту ISO 9001;
- Лицензия ФСБ на осуществление работ с использованием сведений, составляющих государственную тайну;
- Поставка специализированных компонентов (Xilinx, Altera, Analog Devices, Intersil, Interpoint, Microsemi, Aeroflex, Peregrine, Syfer, Eurofarad, Texas Instrument, Miteq, Cobham, E2V, MA-COM, Hittite, Mini-Circuits, General Dynamics и др.);

Помимо этого, одним из направлений компании «ЭлектроПласт» является направление «Источники питания». Мы предлагаем Вам помощь Конструкторского отдела:

- Подбор оптимального решения, техническое обоснование при выборе компонента;
- Подбор аналогов;
- Консультации по применению компонента;
- Поставка образцов и прототипов;
- Техническая поддержка проекта;
- Защита от снятия компонента с производства.



Как с нами связаться

Телефон: 8 (812) 309 58 32 (многоканальный)

Факс: 8 (812) 320-02-42

Электронная почта: org@eplast1.ru

Адрес: 198099, г. Санкт-Петербург, ул. Калинина, дом 2, корпус 4, литера А.