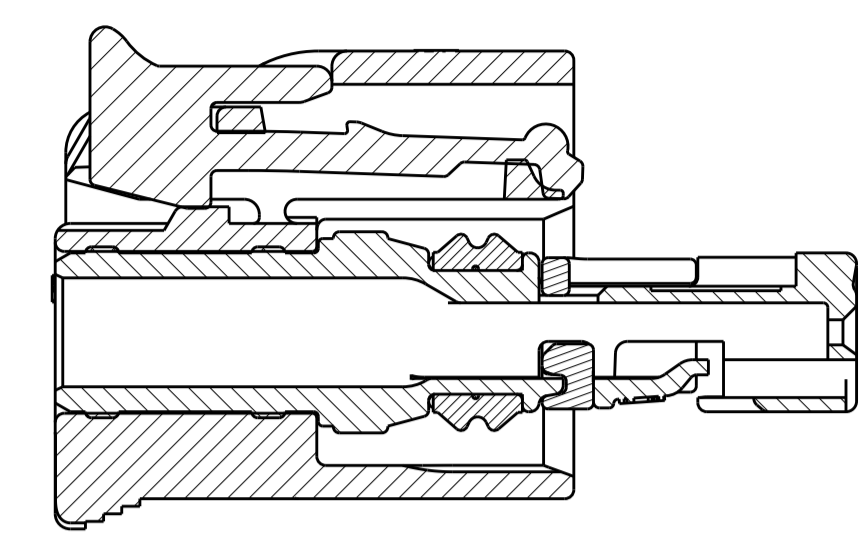
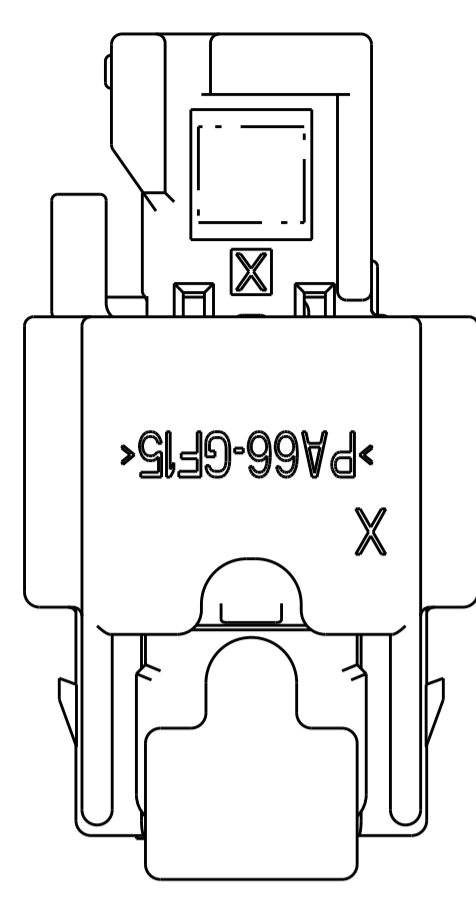
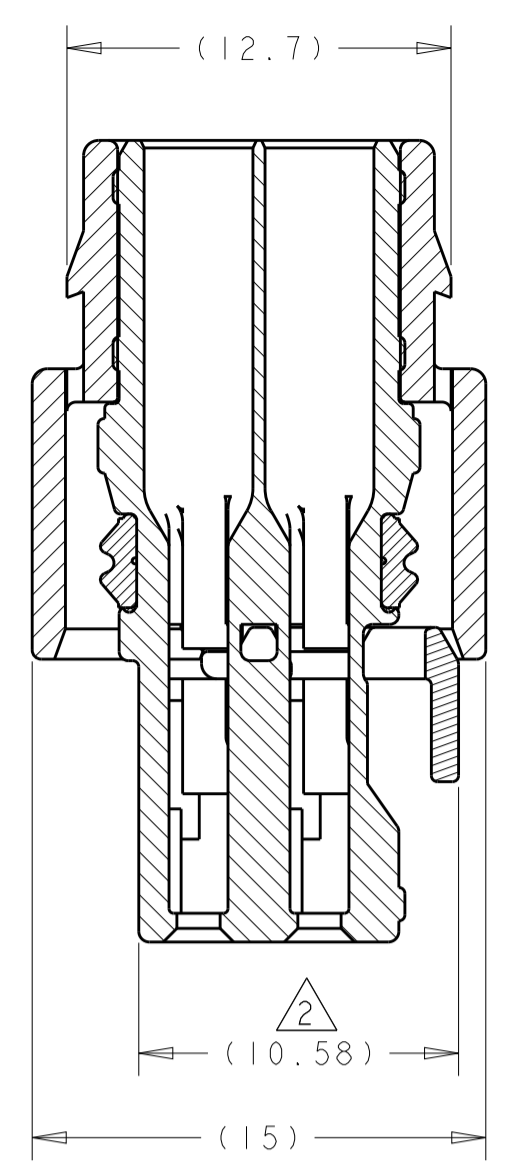


| REVISIONS | | | | |
|-----------|------|---------------------------|-----------|------------|
| P. | LTN. | DESCRIPTION | DATE | OWN. APVD. |
| B5 | | REVISED PER ECO-12-019932 | 13NOV2012 | DLD SLM |
| B6 | | REVISED PER ECO-14-014610 | 26SEP2014 | DLD SLM |

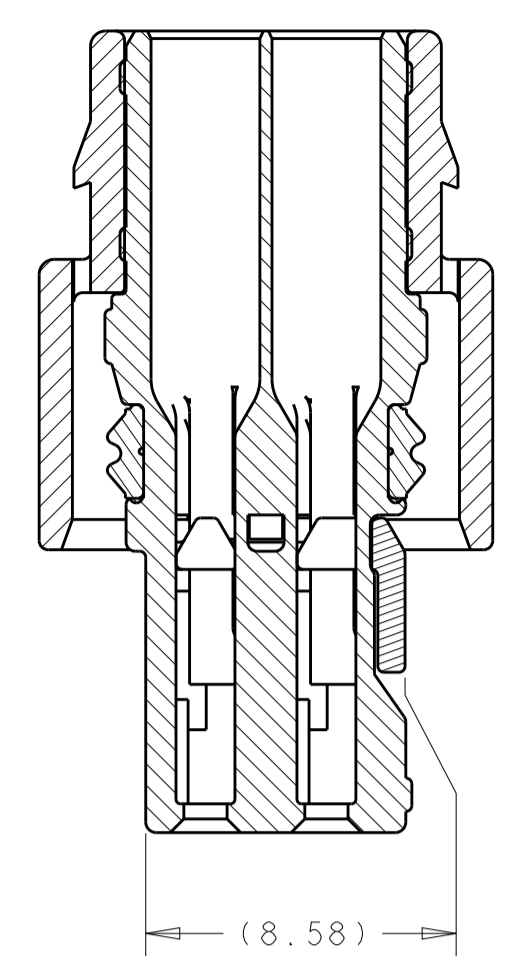
- PART NUMBER 1-1924067-9 SHOWN ON DRAWING.
- TPA AND CPA (WHEN APPLICABLE) ARE SHIPPED IN THEIR PRE-LATCHED POSITIONS. SEE INSTRUCTION SHEET 408-8968 FOR DIRECTIONS ON MOVING THE CPA AND TPA TO THE PRE-LATCHED POSITION, IF NECESSARY.
- TERMINALS SOLD SEPARATELY. FOR USE WITH TE MCON 1.2mm CLEAN BODY CONTACT WITH WIRE SEAL. SEE TE MCON 1.2-CB (CLEAN BODY) TABLE FOR APPLICABLE PART NUMBERS.
- APPLICABLE HEADER INTERFACE DRAWING 114-18679-3 IS AVAILABLE UPON REQUEST. A COPY OF THIS DRAWING CAN BE OBTAINED FROM THE TYCO ELECTRONICS PRODUCT MANAGER, VIA YOUR TE CONNECTIVITY SALES REPRESENTATIVE OR CUSTOMER SERVICE.
- MINIMUM FEED THROUGH CONDITION WITH 1.0mm CLEARANCE ALL AROUND.
- TRACEABILITY PRINTED IN THIS LOCATION AT ASSEMBLY.
- NOTE LEFT BLANK INTENTIONALLY.
- PART NUMBERS 1924067-7, -8, 1-7, 1-8 INNER HOUSING ARE ASSEMBLED 180°.
- PROTOTYPE ASSEMBLIES USE GERMAN OUTER HOUSING P/N: 1718648-1, CPA P/N: 1670193-1 AND SEAL P/N: 1718650-1.
- NOTE DELETED
- TPA ENGAGE FORCE: PRESET TO FULL ≥ 2 N AND ≤ 60 N.
- TPA DISENGAGE FORCE: DISENGAGE FROM FULL TO PRESET ≥ 2 N AND ≤ 60 N.
- CPA ENGAGE FORCE: PRESET TO FULL WITHOUT CONNECTORS MATED ≥ 40 N.
- CPA ENGAGE FORCE: PRESET TO FULL WITH CONNECTORS MATED < 30 N.
- POLARIZATION FEATURE EFFECTIVENESS:
CONNECTOR MATED TURNED 180° NO MATING > 125 N.
WRONG KEYING NO MATING > 125 N.
- VALIDATED UP TO USCAR TEMPERATURE CLASS III.
- SEE INSTRUCTION SHEET 408-8928.
- REFERENCE SHEET 2 FOR ISOMETRIC VIEWS.
- TERMINAL 1670146-x REPLACES 1418847-x



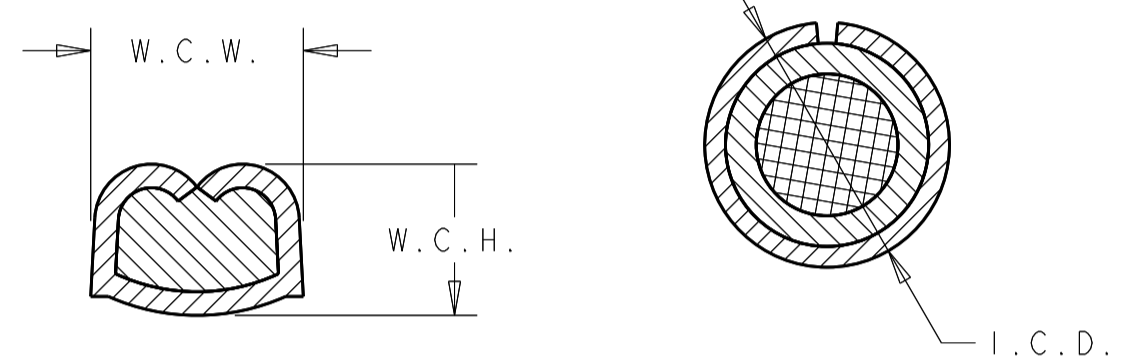
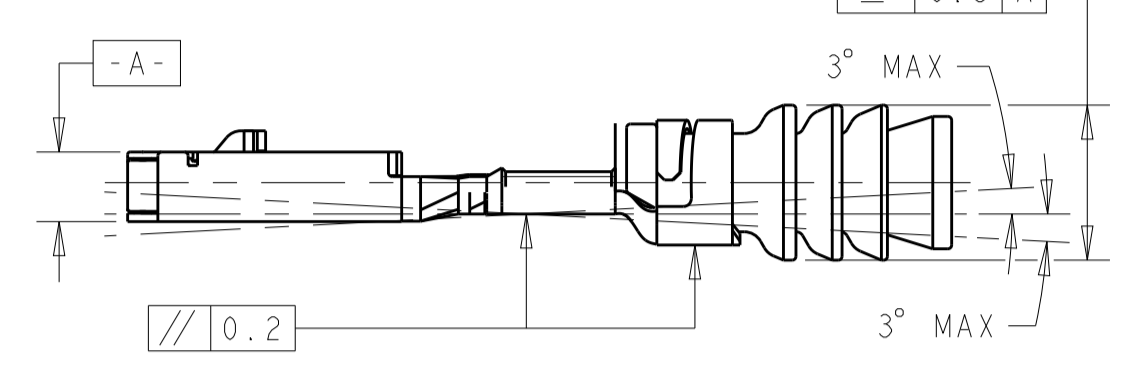
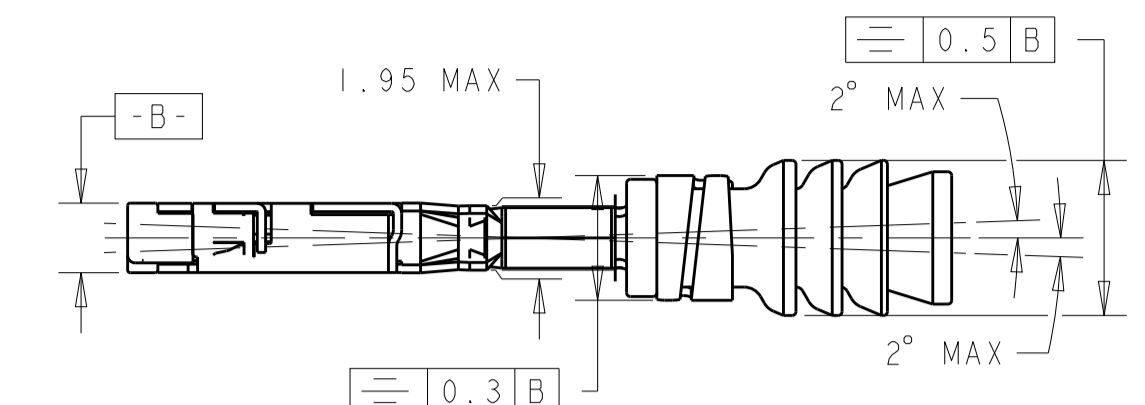
SECTION B-B
 SHOWN WITH CPA (WHEN APPLICABLE)
 IN IT'S LATCHED POSITION
 FOR REFERENCE ONLY



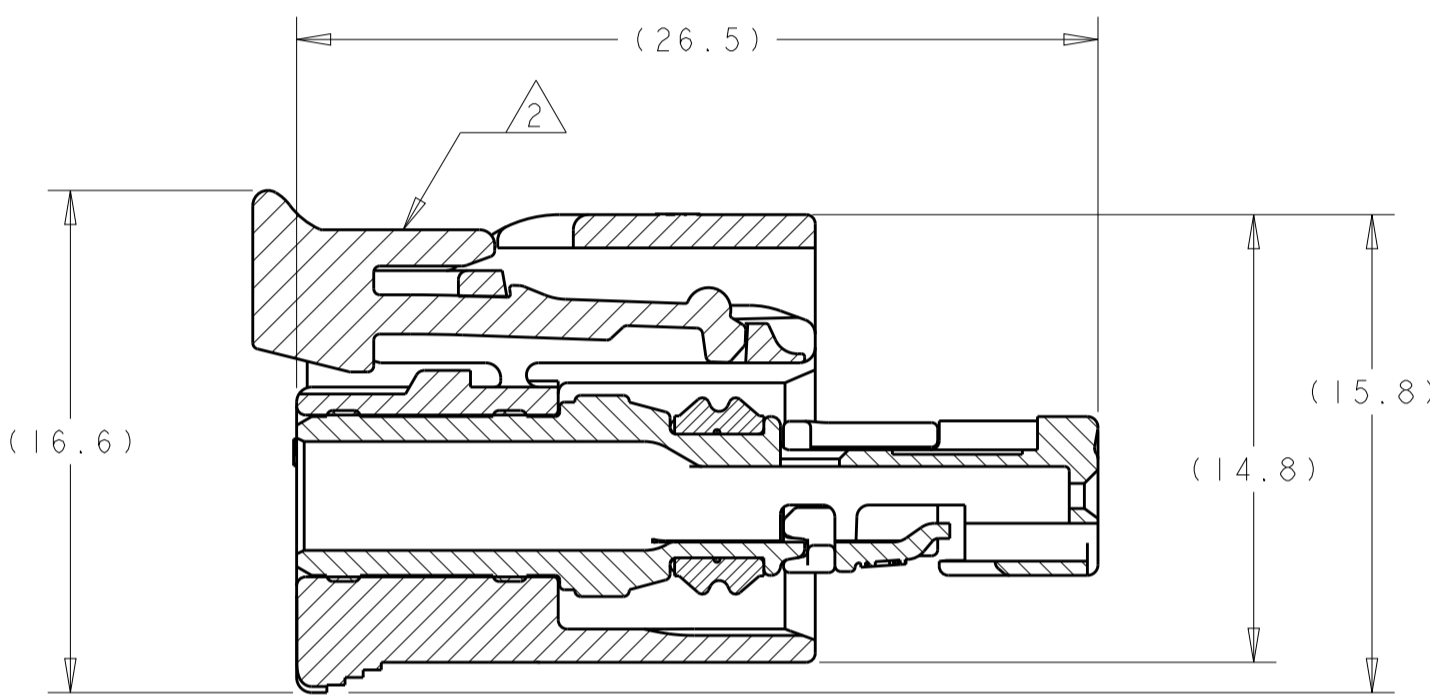
SECTION A-A



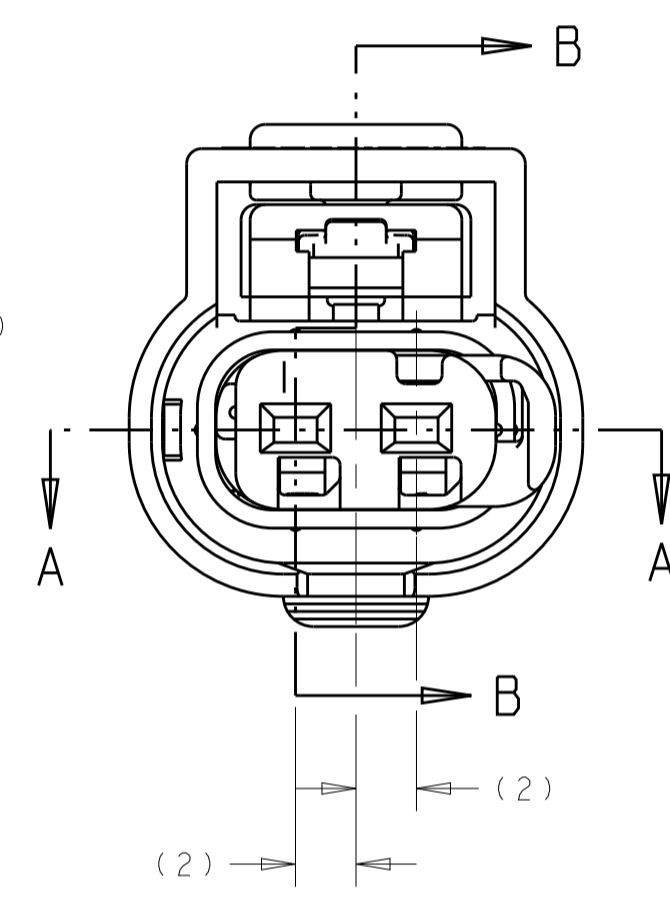
SECTION A-A
 SHOWN WITH TPA
 IN IT'S LATCHED POSITION
 FOR REFERENCE ONLY



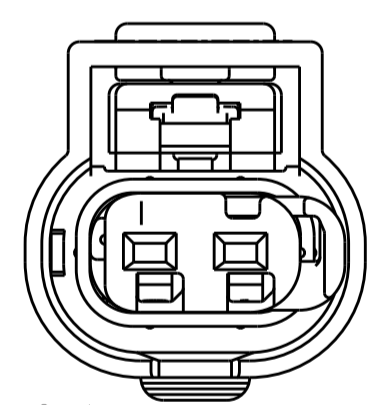
WIRE CRIMP DIMENSIONS INSULATION CRIMP DIMENSIONS



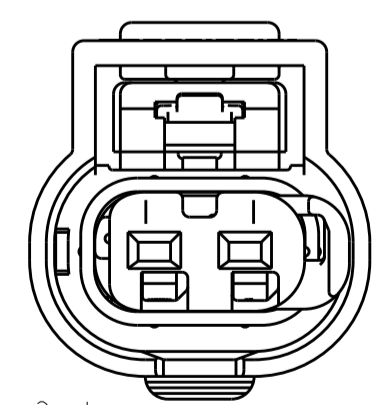
SECTION B-B



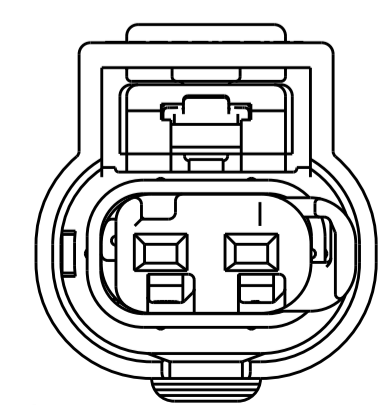
KEYING CONFIGURATIONS



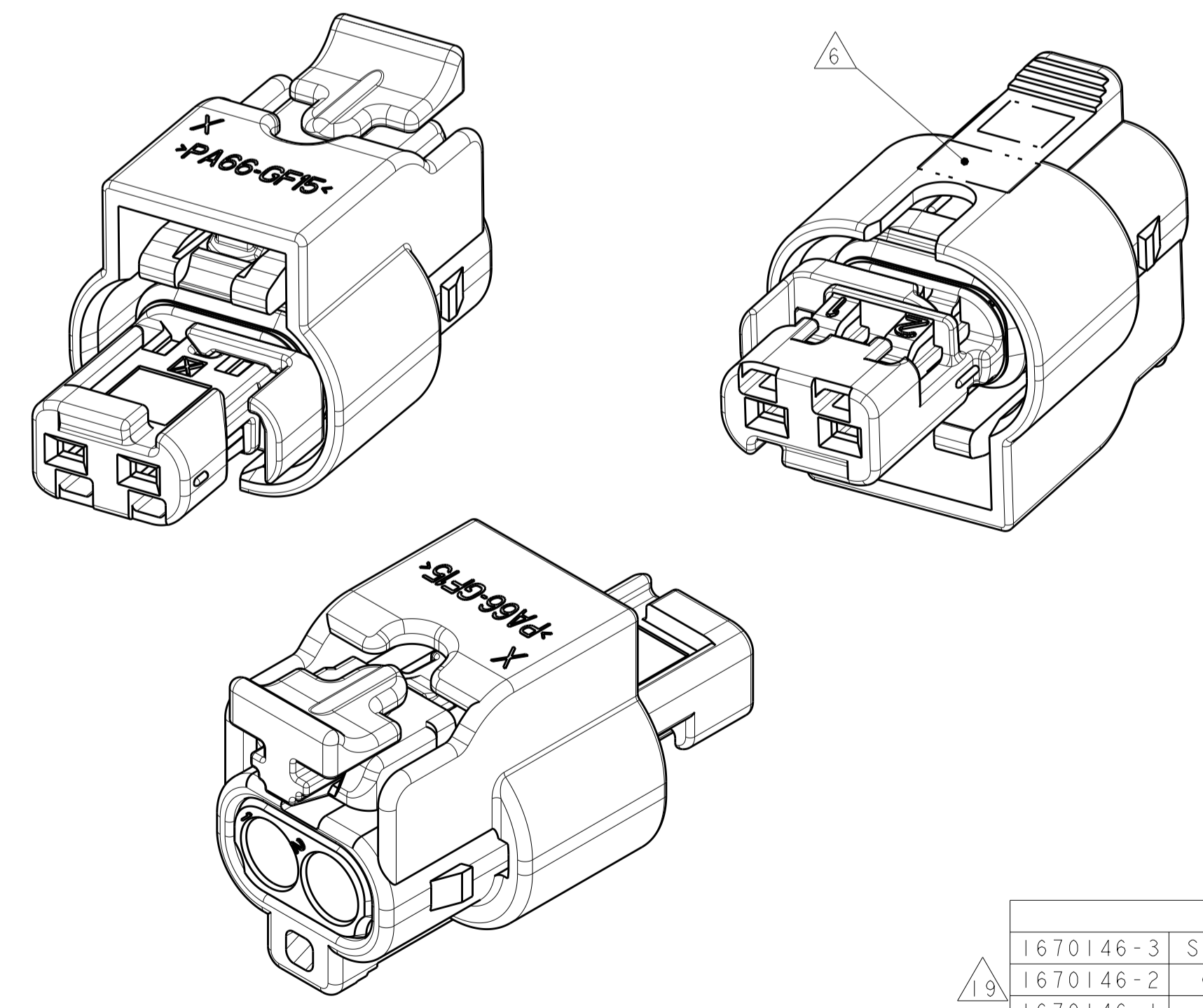
SCALE 3:1
 KEYING OPTION A



SCALE 3:1
 KEYING OPTION B



SCALE 3:1
 KEYING OPTION C



ISOMETRIC VIEWS
 1-1924067-9

| TE MCON 1.2-CB (CLEAN BODY) | | | | | | | | |
|-----------------------------|---------|-------------------|----------|-------------|-------------|-------------|-------------|-----------------------|
| 1670146-3 | SILVER | 3.6 ± 0.3 | 20 | 1.4 TO 1.9 | 0.84 ± 0.03 | 1.57 ± 0.05 | 3.25 ± 0.05 | 967067-1 |
| 1670146-2 | GOLD | | | | | | | |
| 1670146-1 | TIN | | | | | | | |
| 1418850-3 | SILVER | 3.6 ± 0.3 | 18 TO 16 | 1.9 TO 2.4 | 1.11 ± 0.05 | 1.78 ± 0.05 | 3.35 ± 0.05 | 964972-1 |
| 1418850-2 | GOLD | | | | | | | |
| 1418850-1 | TIN | | | | | | | |
| PART NUMBER | PLATING | WIRE STRIP LENGTH | AWG | INSL. RANGE | W.C.H. | W.C.W. | I.C.D. | WIRE SEAL PART NUMBER |

| RELEASED | RED | 2138907-1 | BLUE | C | 4-1924067-3 |
|----------|--------|-----------|---------|---|-------------|
| RELEASED | RED | 2138907-1 | NATURAL | B | 4-1924067-2 |
| RELEASED | RED | 2138907-1 | BLACK | A | 4-1924067-1 |
| RELEASED | VIOLET | 1989913-2 | BLUE | C | 2-1924067-1 |
| RELEASED | VIOLET | 1989913-2 | NATURAL | B | 2-1924067-0 |
| RELEASED | VIOLET | 1989913-2 | BLACK | A | 1-1924067-9 |
| RELEASED | RED | 1488787-1 | BLACK | A | 1-1924067-8 |
| RELEASED | - | - | BLACK | A | 1-1924067-7 |
| RELEASED | RED | 1488787-1 | BLUE | C | 1-1924067-6 |
| RELEASED | RED | 1488787-1 | NATURAL | B | 1-1924067-5 |
| RELEASED | RED | 1488787-1 | BLACK | A | 1-1924067-4 |
| RELEASED | - | - | BLUE | C | 1-1924067-3 |
| RELEASED | - | - | NATURAL | B | 1-1924067-2 |
| RELEASED | - | - | BLACK | A | 1-1924067-1 |

| STATUS | COLOR | PART NO | COLOR | KEY | PART NUMBER |
|------------|-------|---------|-------|-----|-------------|
| 9 OBSOLETE | | | | | 1924067-8 |
| 9 OBSOLETE | | | | | 1924067-7 |
| 9 OBSOLETE | | | | | 1924067-6 |
| 9 OBSOLETE | | | | | 1924067-5 |
| 9 OBSOLETE | | | | | 1924067-4 |
| 9 OBSOLETE | | | | | 1924067-3 |
| 9 OBSOLETE | | | | | 1924067-2 |
| 9 OBSOLETE | | | | | 1924067-1 |

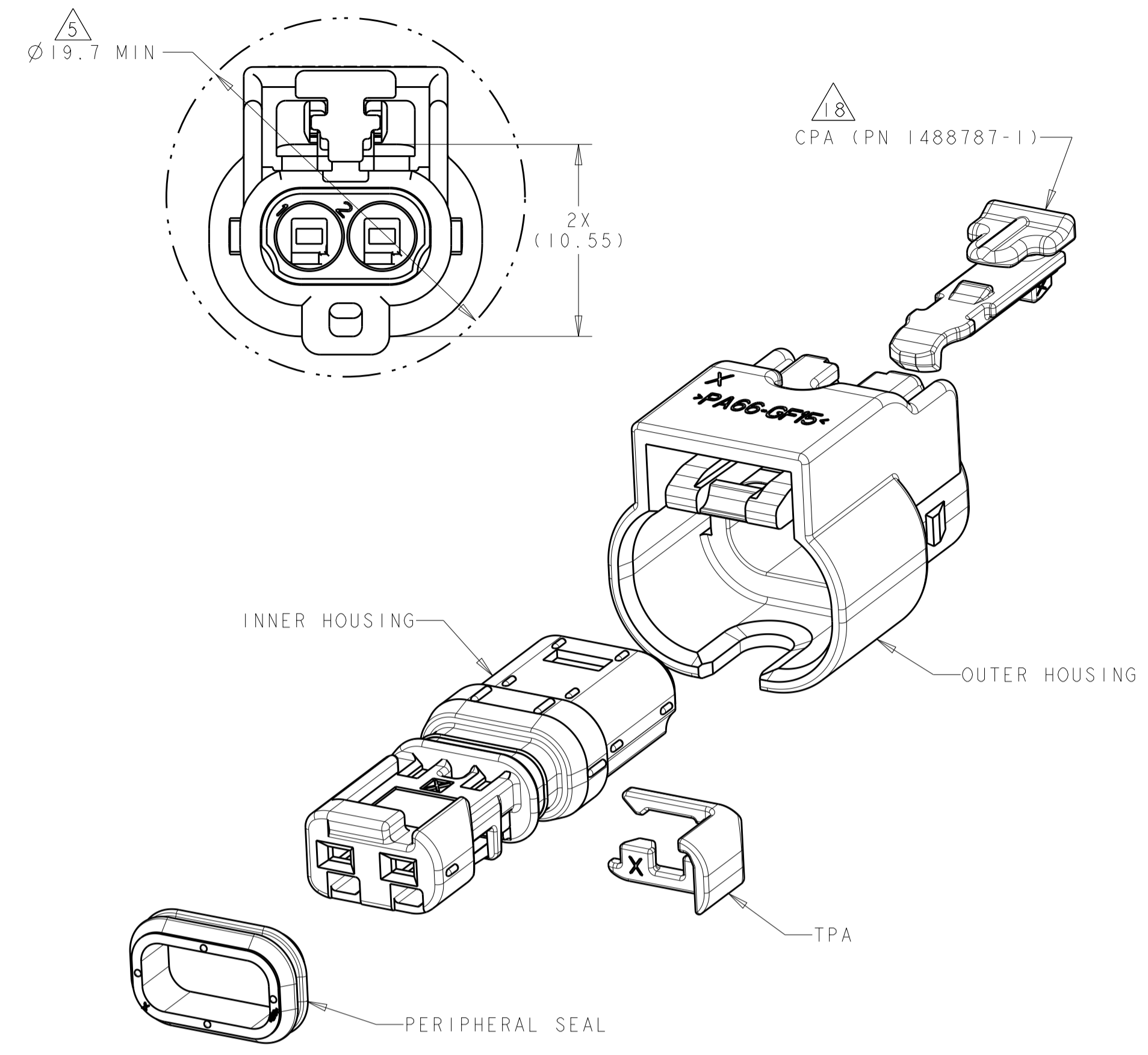
THIS DRAWING IS A CONTROLLED DOCUMENT.

OWN: M. FORISKA 25SEP2006
 CHK: G. MARTIN 25SEP2006
 APVD: G. MARTIN 25SEP2006

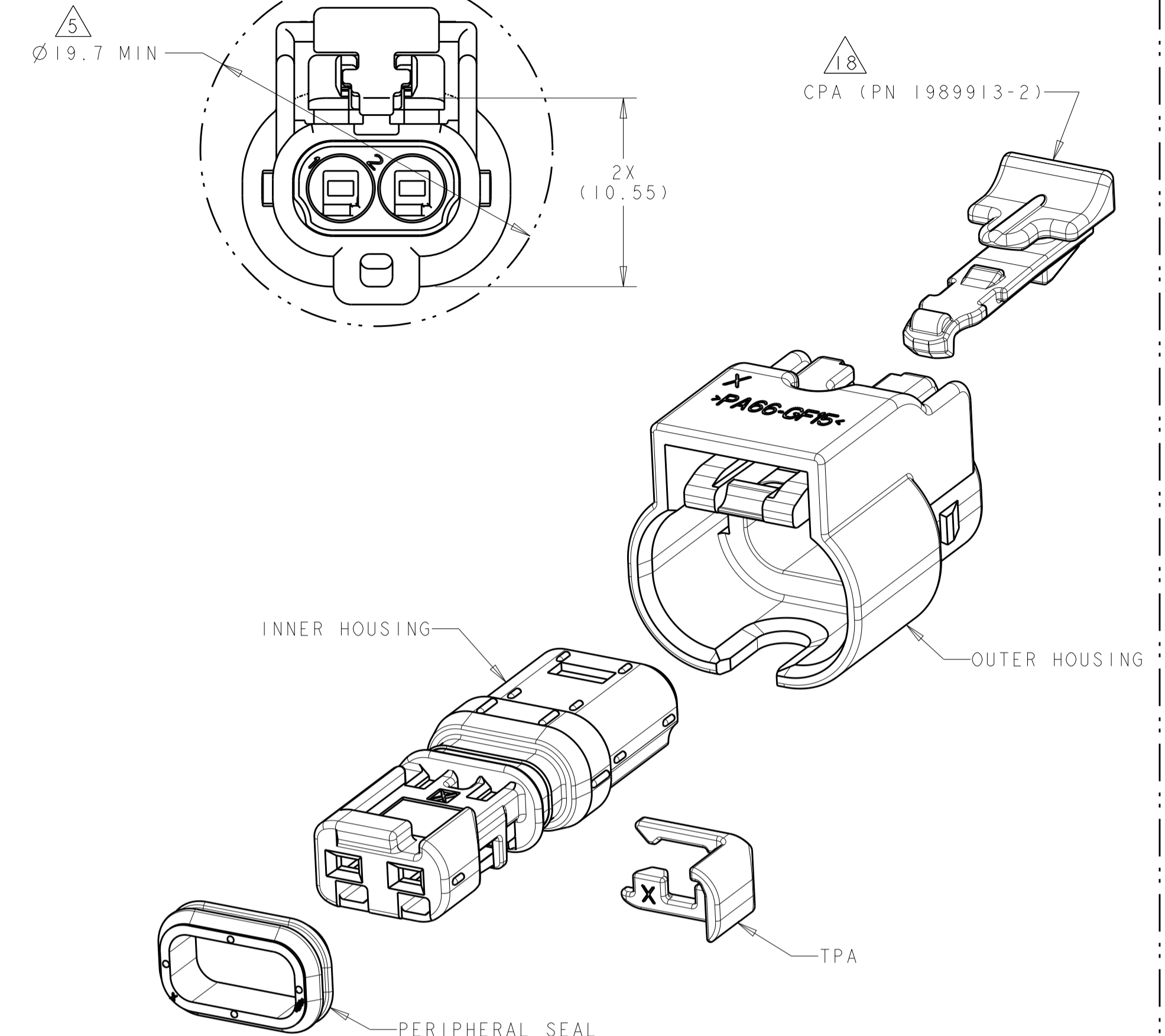
TE TE Connectivity

CONNECTOR ASSEMBLY, FEMALE, 2 POSITION SEALED, 1.2mm STANDARD LATCH VERSION

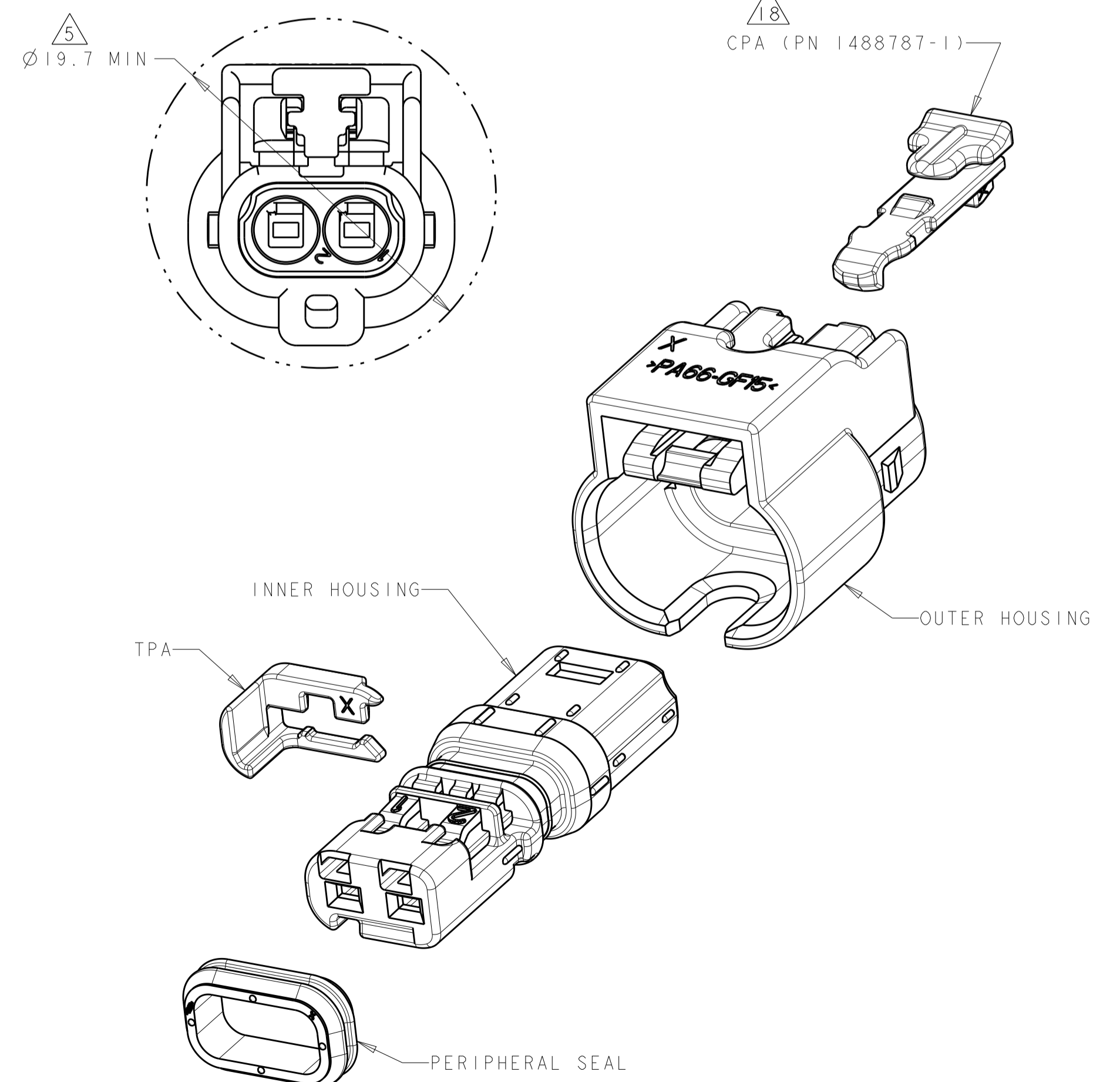
SCALE 4:1 SHEET 1 OF 2 REV B6



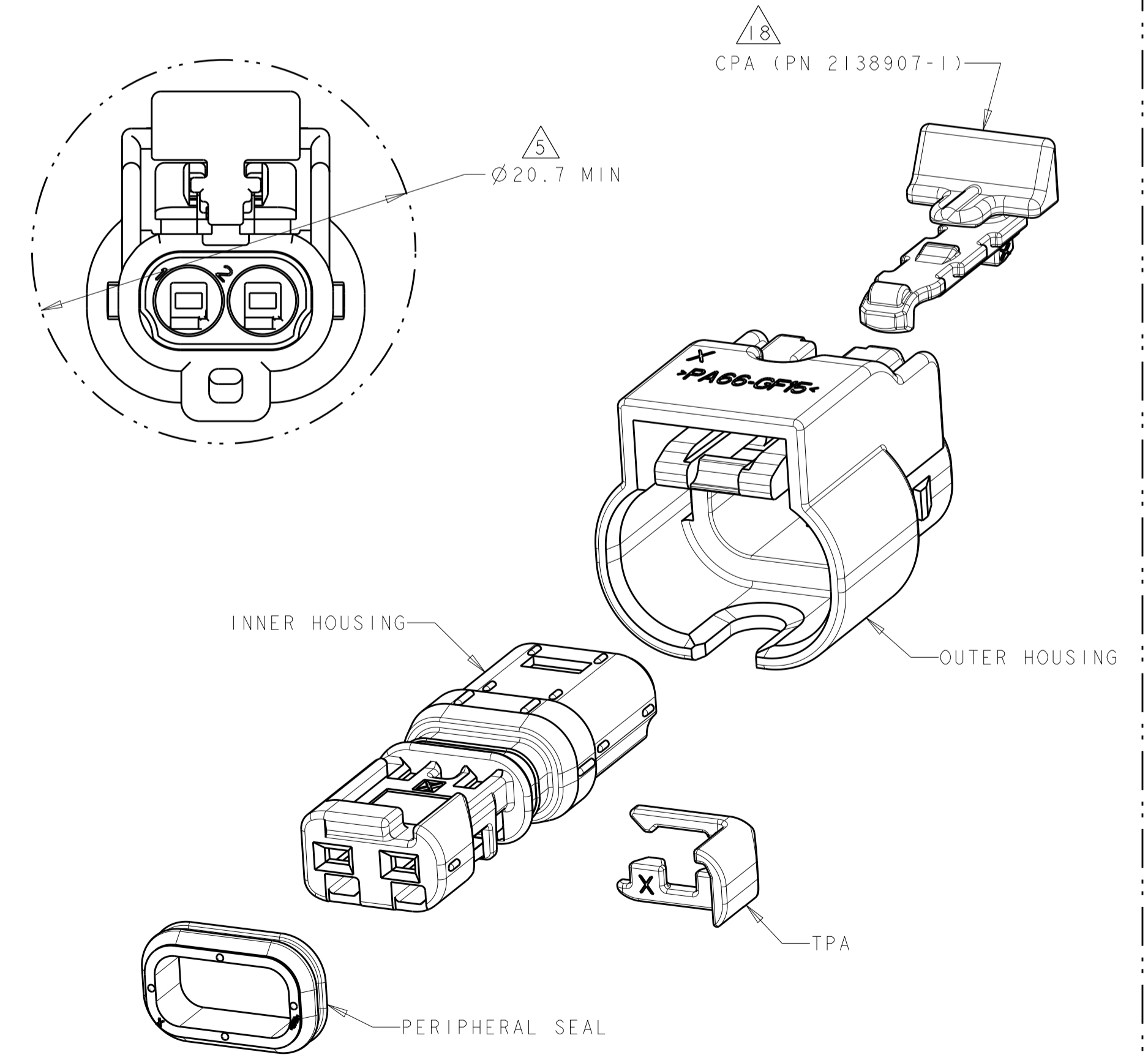
1-1924067-4
EXPLODED ISOMETRIC VIEW



1-1924067-9
EXPLODED ISOMETRIC VIEW



1-1924067-8
EXPLODED ISOMETRIC VIEW



4-1924067-1
EXPLODED ISOMETRIC VIEW

| REVISIONS | | | | |
|-----------|-----|-------------|------|------|
| P. | LTN | DESCRIPTION | DATE | APVD |
| - | - | SEE SHEET 1 | - | - |
| | | | | |
| | | | | |

| | | | |
|--|-----------|---------------------------|---|
| THIS DRAWING IS A CONTROLLED DOCUMENT. | | OWN: M. FORLSKA 25SEP2006 | TE Connectivity |
| DIMENSIONS: mm | | CHK: G. MARTIN 25SEP2006 | |
| TOLERANCES UNLESS OTHERWISE SPECIFIED: | | APVD: G. MARTIN 25SEP2006 | NAME: CONNECTOR ASSEMBLY, FEMALE, 2 POSITION SEALED, 1.2mm STANDARD LATCH VERSION |
| 0 PLC | ± | PRODUCT SPEC | RESTRICTED TO |
| 1 PLC | ±0.3 | APPLICATION SPEC | SIZE: A100779 |
| 2 PLC | ±0.10 | WEIGHT: 2.07g | CAGE CODE: 1924067 |
| 3 PLC | ± | CUSTOMER DRAWING | SCALE: 4:1 |
| 4 PLC | ± | | SHEET: 2 OF 2 |
| ANGLES | ±1° | | REV: B6 |
| MATERIAL: SEE TABLE | FINISH: - | | |



Компания «ЭлектроПласт» предлагает заключение долгосрочных отношений при поставках импортных электронных компонентов на взаимовыгодных условиях!

Наши преимущества:

- Оперативные поставки широкого спектра электронных компонентов отечественного и импортного производства напрямую от производителей и с крупнейших мировых складов;
- Поставка более 17-ти миллионов наименований электронных компонентов;
- Поставка сложных, дефицитных, либо снятых с производства позиций;
- Оперативные сроки поставки под заказ (от 5 рабочих дней);
- Экспресс доставка в любую точку России;
- Техническая поддержка проекта, помощь в подборе аналогов, поставка прототипов;
- Система менеджмента качества сертифицирована по Международному стандарту ISO 9001;
- Лицензия ФСБ на осуществление работ с использованием сведений, составляющих государственную тайну;
- Поставка специализированных компонентов (Xilinx, Altera, Analog Devices, Intersil, Interpoint, Microsemi, Aeroflex, Peregrine, Syfer, Eurofarad, Texas Instrument, Miteq, Cobham, E2V, MA-COM, Hittite, Mini-Circuits, General Dynamics и др.);

Помимо этого, одним из направлений компании «ЭлектроПласт» является направление «Источники питания». Мы предлагаем Вам помощь Конструкторского отдела:

- Подбор оптимального решения, техническое обоснование при выборе компонента;
- Подбор аналогов;
- Консультации по применению компонента;
- Поставка образцов и прототипов;
- Техническая поддержка проекта;
- Защита от снятия компонента с производства.



Как с нами связаться

Телефон: 8 (812) 309 58 32 (многоканальный)

Факс: 8 (812) 320-02-42

Электронная почта: org@eplast1.ru

Адрес: 198099, г. Санкт-Петербург, ул. Калинина, дом 2, корпус 4, литера А.