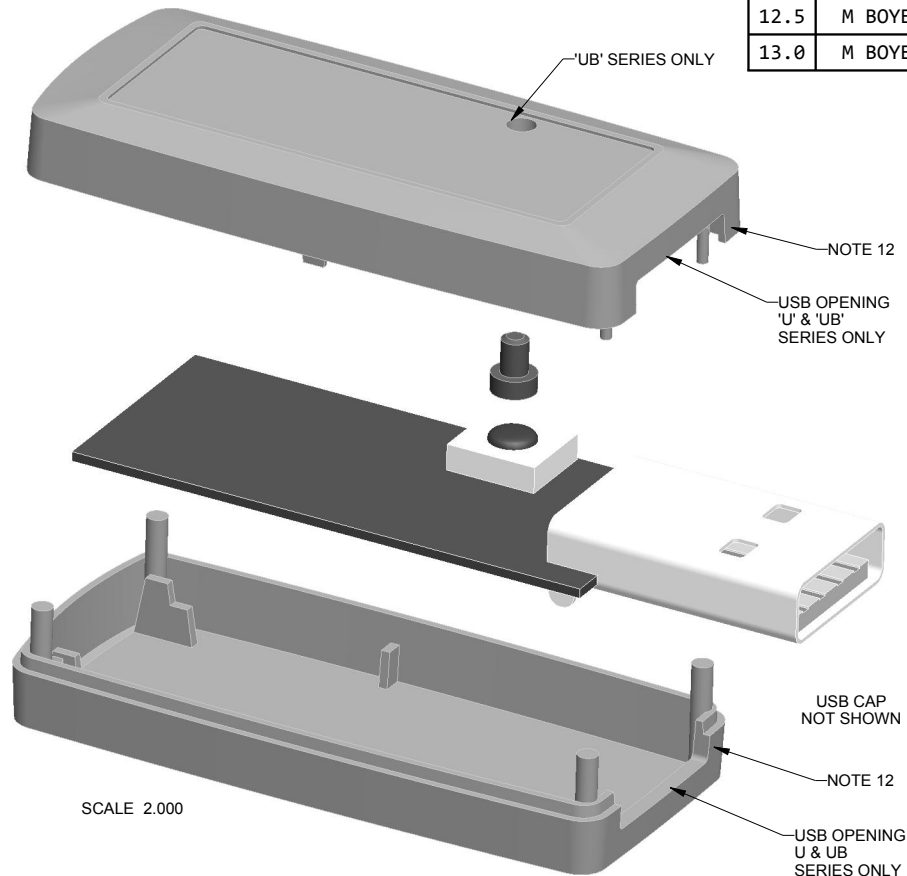




P180804(x) CONFIGURATIONS							
	-S	-U	-UB	-UBC	-UBB	-B	-C
P180804 COVER	1						
P180804 COVER w/USB OPENING		1					
P180804 COVER w/USB & BUTTON HOLE			1	1			
P180804 BASE	1						
P180804 BASE w/USB		1	1		1		
P180804 BUTTON						1	
P210603 CAP							1

R E V I S I O N

REV.	DRAWN BY	ECO No	DESCRIPTION	DATE	APPROVED
1	M BOYER		PRELIMINARY RELEASE	04-May-05	D.C.
			REVISIONS 2-11 ARCHIVED ON REV 12.1		
12	M BOYER	3909	REDUCE ALIGNMENT POST HEIGHT BY .025"	28-Oct-09	D.C.
12.1	M BOYER	0710	UPDATE FORMAT	19-Mar-10	D.C.
12.2	M BOYER	0810	INCLUDE GATE DETAIL INFORMATION	08-Apr-10	D.C.
12.3	M BOYER	1810	UPDATE CONFIGURATION TREE - INCLUDE BUTTON	14-Jun-10	D.C.
12.4	M BOYER	2711	UPDATE ASSY POST DIA TO "PRESS FIT"	25-Jul-11	D.C.
12.5	M BOYER	3611	ADD NOTE RE ASSEMBLY POSTS	21-Oct-11	D.C.
13.0	M BOYER	8413	UPDATE TO AS BUILT - DIR 0274	07-Jan-14	

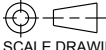


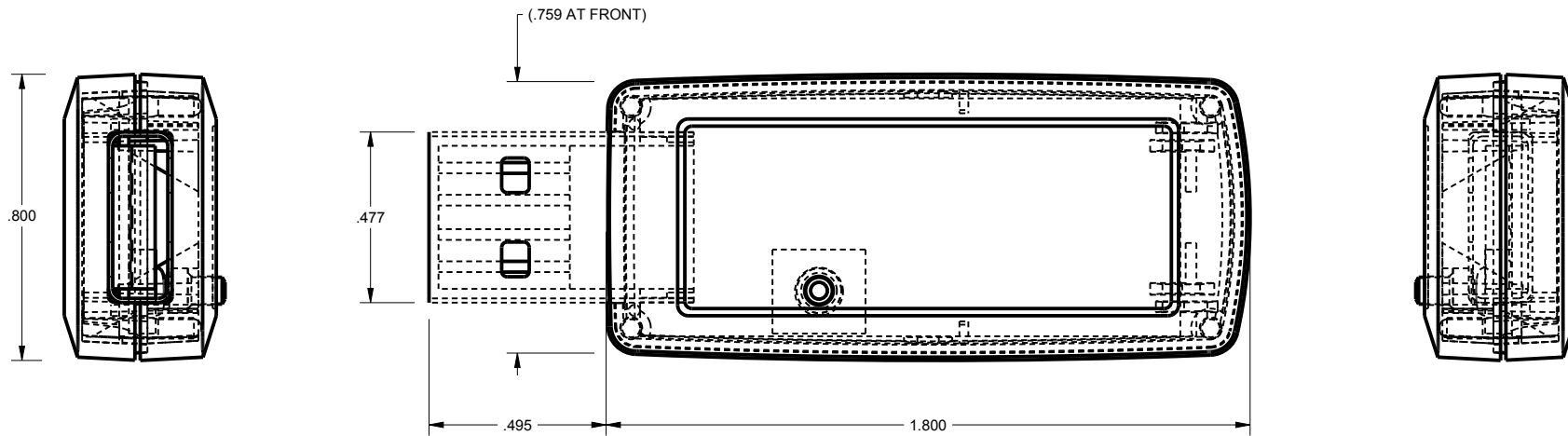
NOTES: UNLESS OTHERWISE SPECIFIED

- CORNERS DRAWN SHARP TO BE R.005 MAXIMUM.
- EXTERIOR SURFACE TEXTURE TO BE LIGHT EDM FINISH (EQUIVELANT TO MT-11010.)
- INTERIOR SURFACE TEXTURE TO BE: NONE
- ALL INSIDE RADII .010R. UNLESS OTHERWISE SPECIFIED.
- ALL EXTERNAL DIMENSIONS AFFECTED BY THE DRAFT APPLY AT THE LARGE END OF THE FEATURE, AND ALL INTERNAL FEATURES AFFECTED BY THE DRAFT APPLY AT THE SMALL END OF THE FEATURE UNLESS OTHERWISE SPECIFIED.
- 1 DEGREE DRAFT IN THE DIRECTION OF PULL IS PERMISSIBLE UNLESS OTHERWISE SPECIFIED.
- THIS ENCLOSURE IS A PRESS FIT ASSEMBLY. FOR PERMANENT CLOSURE: A DROP ADHESIVE OR ULTRASONIC WELDING IS REQUIRED.
- MATERIAL / COLOR: ABS PLASTIC IS STANDARD IN BLACK OR WHITE. CUSTOM MATERIALS AND COLORS ARE AVAILABLE UPON REQUEST FOR QUOTE.
- PCB SIZES ARE RECOMMENDATIONS ONLY. FINAL SIZES AND VERIFICATION OF IT'S FIT ARE THE SOLE RESPONSIBILITY OF EACH OEM.
- STANDARD OR CUSTOM LABEL RECESSES ARE AVAILABLE FOR QUOTE.
- "STANDARD" VERSION ENCLOSURE COVER NOT AVAILABLE WITH RIBS. SEE SHEET 4 FOR DETAILS.
- THE GATE REMNANT FOR THIS ENCLOSURE IS LOCATED IN THIS POSITION TO MINIMIZE ANY COSMETIC IMPACT. IT IS HOWEVER VISIBLE AND VARIES IN SIZE / SHAPE. IT IS EASILY REMOVED WITH CLIPPERS. IF YOU WOULD LIKE NEW AGE TO CLIP THIS FOR YOU, PLEASE ASK YOUR SALES REPRESENTATIVE FOR A FREE QUOTE.
- ASSEMBLY POST DIMENSIONS WILL VARY DEPENDING ON THE "PRESS FIT" OF THE ENCLOSURE.

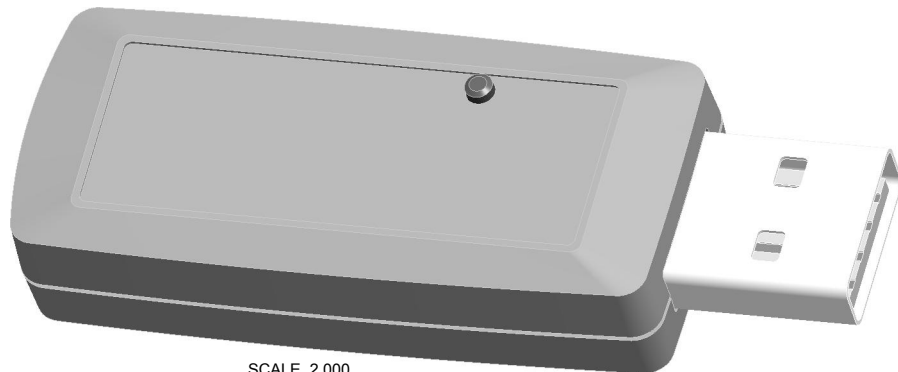
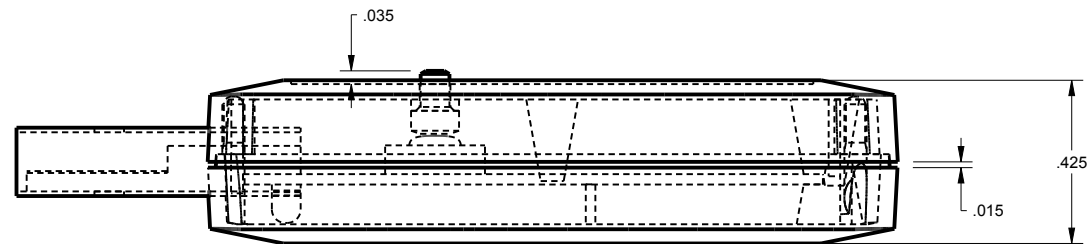
ITEM	DESCRIPTION	MATERIAL	COLOR	QTY.
5	180804 PCB - REFERENCE	.028" THICK	CUSTOMER SUPPLIED	1
4	180804UB COVER - STANDARD	ABS	BLACK or WHITE	1
3	180804UB BASE - STANDARD	ABS	BLACK or WHITE	1
2	210603 CAP	SOLD SEPERATE	--	1
1	180804 BUTTON	SOLD SEPERATE	--	1

BILL OF MATERIALS

THIRD ANGLE PROJECTION  DO NOT SCALE DRAWING	TOLERANCES: UNLESS OTHERWISE SPECIFIED DIMENSIONS ARE IN U.S. INCHES. X.XX = .015 X.XXXX = .001 X.XXX = .010 X.X" = 1"	<h2 style="margin: 0;">NEW AGE ENCLOSURES</h2> <p style="font-size: small; margin: 0;">4330 Santa Fe Road San Luis Obispo, CA. 93401 ph. (805) 595-1310 fax (805) 595-1024 www.newageenclosures.com</p>												
NOTICE: THE INFORMATION AND DATA CONTAINED HEREIN IS CONSIDERED PROPRIETARY TO ALLTEC INTEGRATED MFG INC & SHALL REMAIN THE EXCLUSIVE PROPERTY OF ALLTEC INTEGRATED MFG INC. THE HOLDER WILL ASSUME CUSTODY AND CONTROL THAT THIS DOCUMENT WILL NOT BE COPIED, REPRODUCED, OR DISCLOSED WITHOUT THE EXPRESS WRITTEN CONSENT OF ALLTEC INTEGRATED MFG INC. POSSESSION OF THIS DOCUMENT DOES NOT CONSTITUTE A GRANT TO MANUFACTURE ANY ITEMS. <small>© 2014</small>		Customer's Part No: 180804												
<table border="1" style="width: 100%; border-collapse: collapse;"> <tr> <td style="width: 30%;">APPROVAL</td> <td style="width: 30%;">BY</td> <td style="width: 40%;">DATE</td> </tr> <tr> <td>CHECK</td> <td></td> <td></td> </tr> <tr> <td>ENG.</td> <td></td> <td></td> </tr> <tr> <td>SCALE</td> <td colspan="2" style="text-align: center;">AS NOTED</td> </tr> </table>		APPROVAL	BY	DATE	CHECK			ENG.			SCALE	AS NOTED		<h2 style="margin: 0;">STANDARD - USB DRIVE</h2> <h3 style="margin: 0;">PXX-180804XX-XXX</h3>
APPROVAL	BY	DATE												
CHECK														
ENG.														
SCALE	AS NOTED													
<table border="1" style="width: 100%; border-collapse: collapse;"> <tr> <td style="width: 50%;">DRAWN BY M BOYER</td> <td style="width: 50%;">DATE 04-May-05</td> </tr> </table>		DRAWN BY M BOYER	DATE 04-May-05	<table border="1" style="width: 100%; border-collapse: collapse;"> <tr> <td style="width: 30%;">SIZE A</td> <td style="width: 40%;">DRAWING NAME 180804_R13_0</td> <td style="width: 30%;">SHEET 1 OF 8</td> </tr> </table>	SIZE A	DRAWING NAME 180804_R13_0	SHEET 1 OF 8							
DRAWN BY M BOYER	DATE 04-May-05													
SIZE A	DRAWING NAME 180804_R13_0	SHEET 1 OF 8												
		REV.DOC 13.0												



SCALE 2.000



SCALE 2.000

TOLERANCES: UNLESS OTHERWISE SPECIFIED
DIMENSIONS ARE IN U.S. INCHES.
X.XX = .015 X.XXXX = .001
X.XXX = .010 X.X° = 1°

NEW AGE ENCLOSURES

Customer's Part No: 180804

APPROVAL	BY	DATE
CHECK		
ENG.		
SCALE	AS NOTED	

DRAWN BY
M BOYER 04-May-05

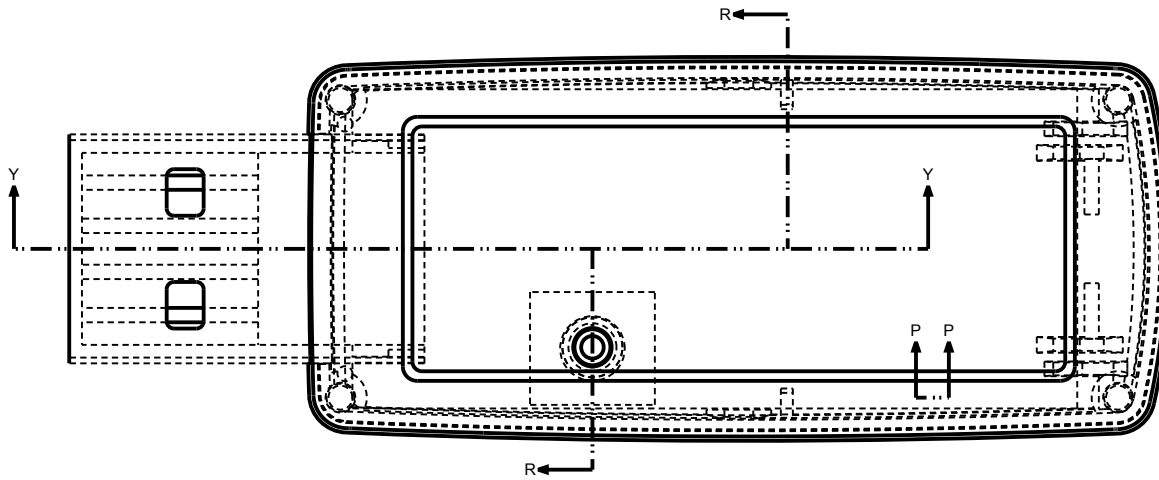
NEW AGE ENCLOSURES

4330 Santa Fe Road San Luis Obispo, CA. 93401
ph. (805) 595-1310 fax (805) 595-1024
www.newageenclosures.com

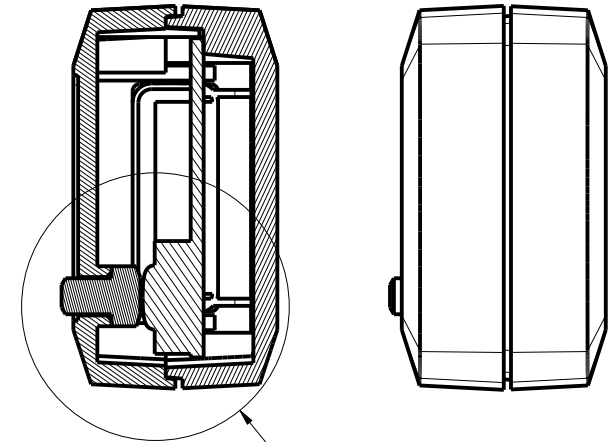
**STANDARD - USB DRIVE
PXX-180804XX-XXX**

SIZE A DRAWING NAME 180804_R13_0

SHEET 2 OF 8 REV.DOC 13.0

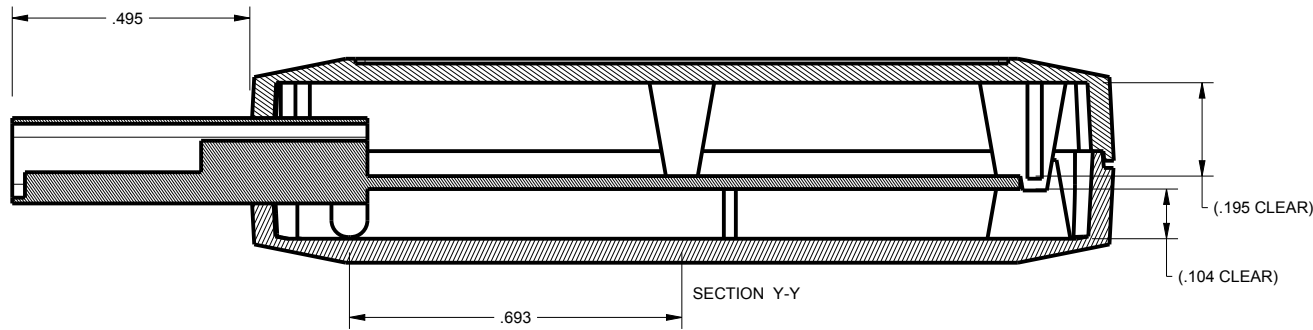


SCALE 2.500

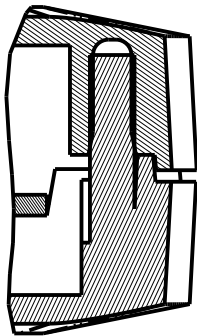


SECTION R-R

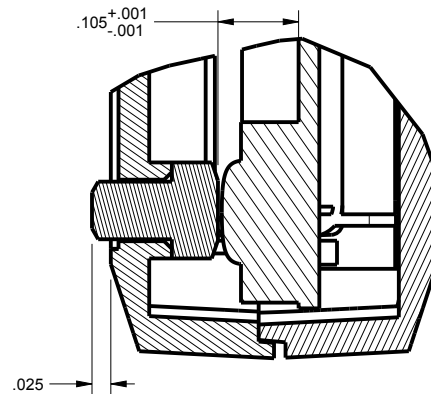
SEE DETAIL A



SECTION Y-Y



SECTION P-P
SCALE 4.000



DETAIL A
SCALE 4.000

TOLERANCES: UNLESS OTHERWISE SPECIFIED
DIMENSIONS ARE IN U.S. INCHES.
X.XX = .015 X.XXXX = .001
X.XXX = .010 X.X° = 1°

NEW AGE ENCLOSURES

Customer's Part No: 180804

APPROVAL	BY	DATE
CHECK		
ENG.		
SCALE	AS NOTED	

DRAWN BY
M BOYER

04-May-05

NEW AGE ENCLOSURES

4330 Santa Fe Road San Luis Obispo, CA. 93401
ph. (805) 595-1310 fax (805) 595-1024
www.newageenclosures.com

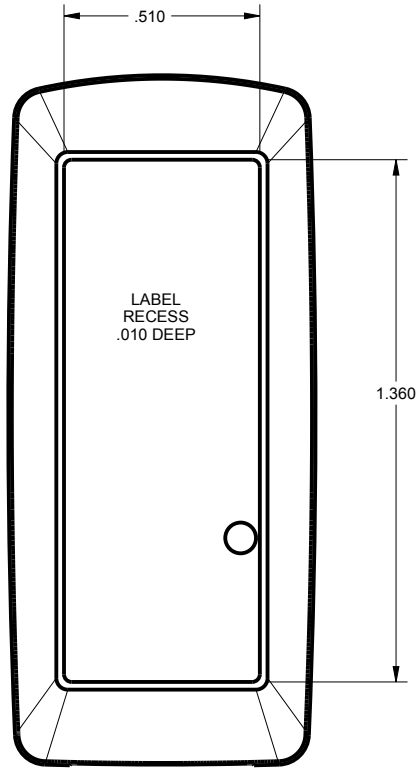
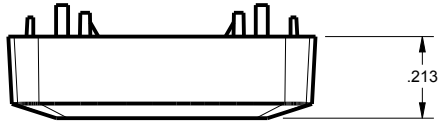
**STANDARD - USB DRIVE
PXX-180804XX-XXX**

SIZE **A** DRAWING NAME
180804_R13_0

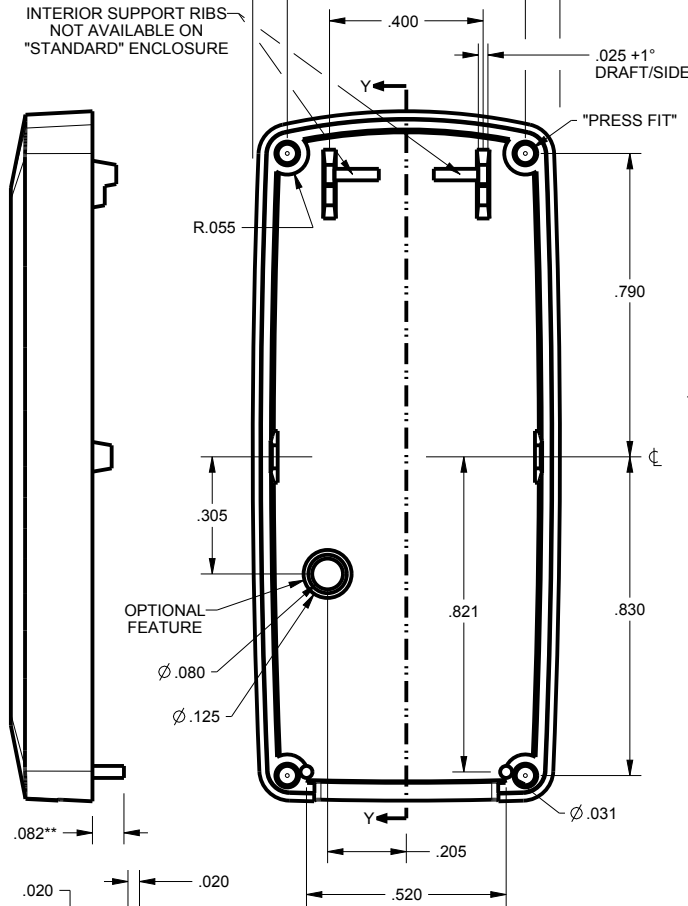
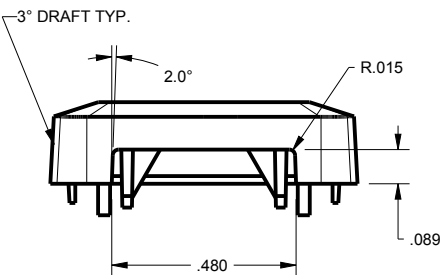
SHEET 3 OF 8 REV.DOC 13.0

180804 COVER

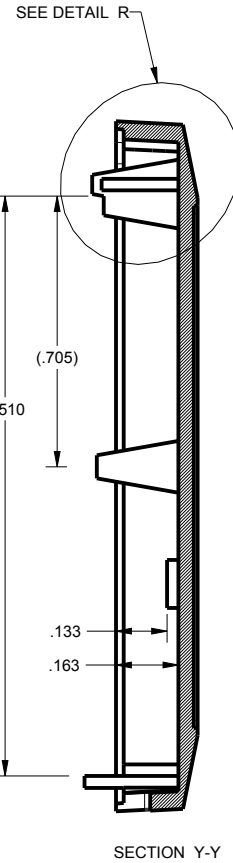
NOTE A: CONFIGURATION 180804(S) ONLY
 1. END RIBS NOT INCLUDED
 2. 1 DEGREE DRAFT ON SIDE RIB
 3. ALIGNMENT POSTS .080" TALL



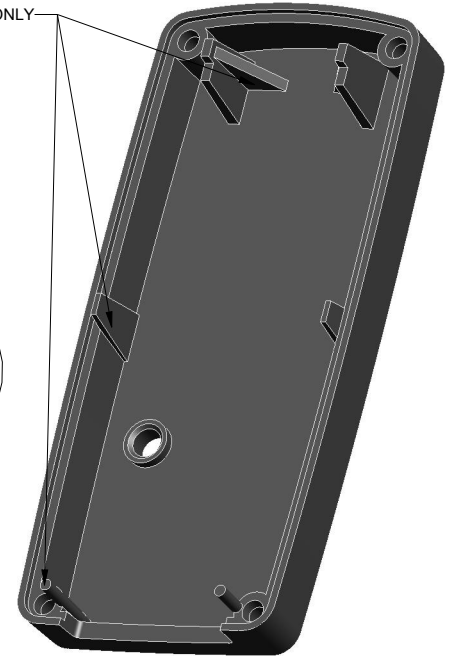
SCALE 2.000



INTERIOR SUPPORT RIBS
 NOT AVAILABLE ON
 "STANDARD" ENCLOSURE



SECTION Y-Y



SCALE 2.000



TOLERANCES: UNLESS OTHERWISE SPECIFIED
 DIMENSIONS ARE IN U.S. INCHES.
 X.XX = .015 X.XXXX = .001
 X.XXX = .010 X.X° = 1°

NEW AGE ENCLOSURES
 Customer's Part No: 180804

APPROVAL	BY	DATE
CHECK		
ENG.		
SCALE	AS NOTED	

DRAWN BY
 M BOYER 04-May-05

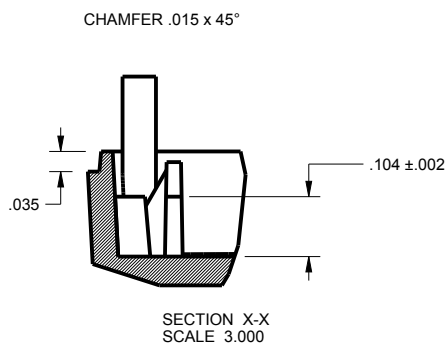
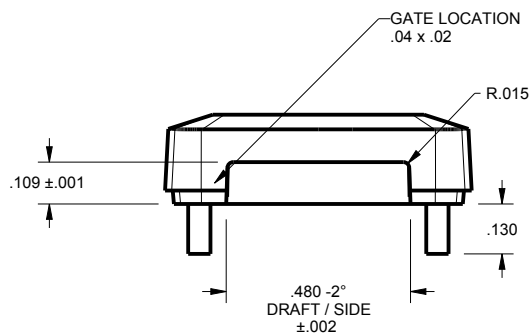
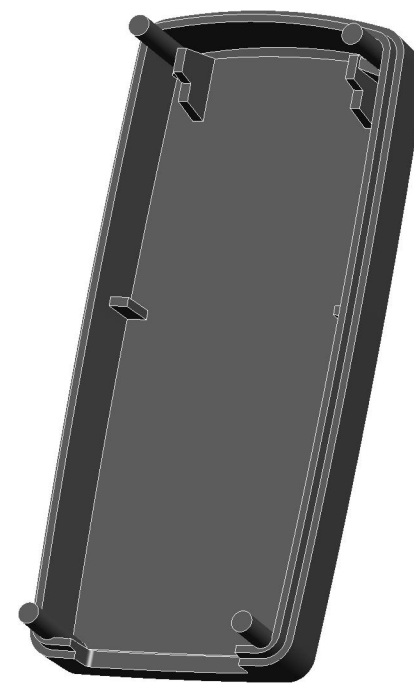
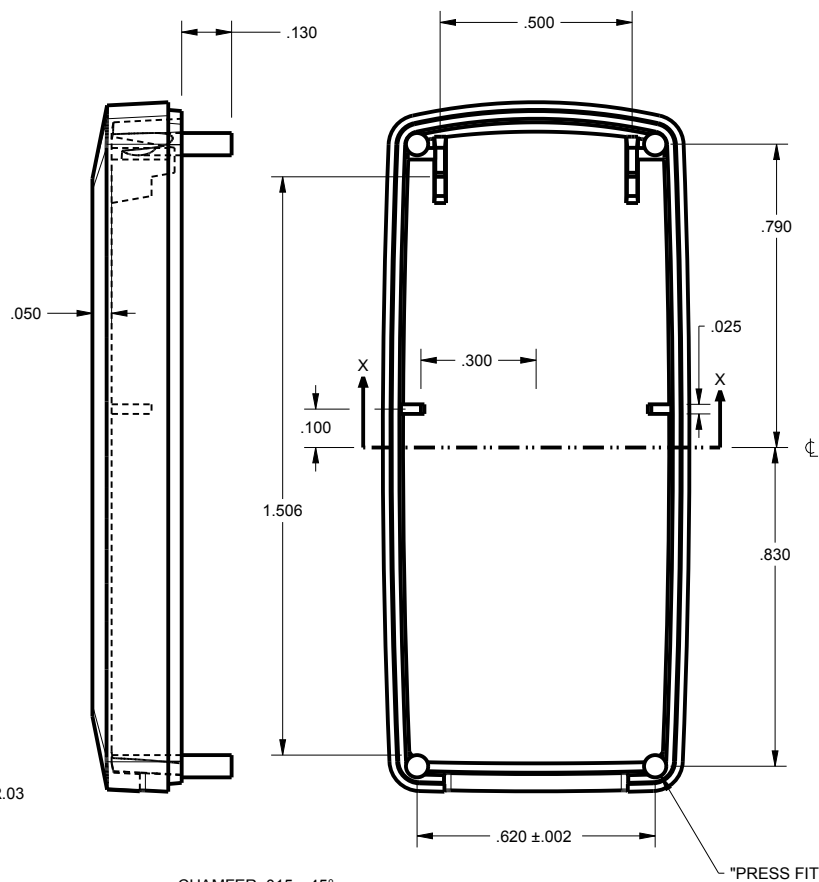
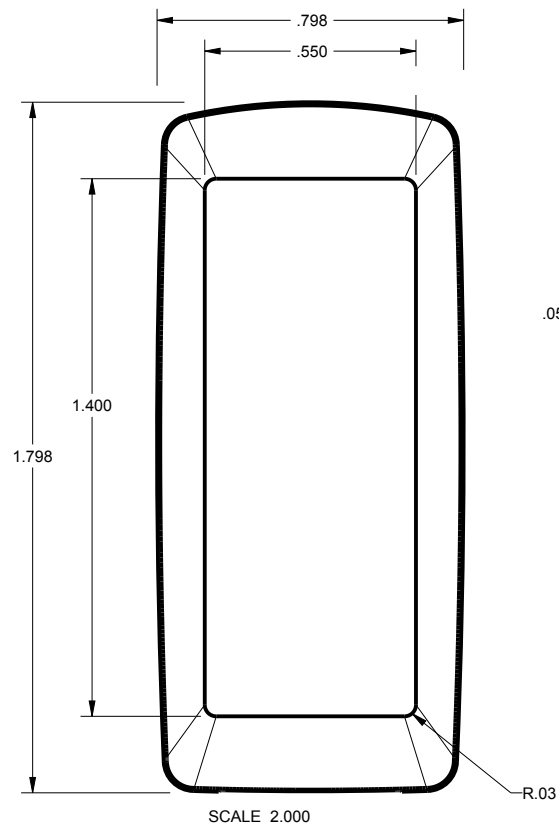
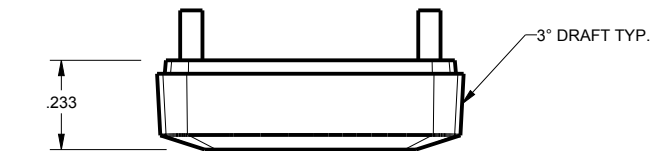
NEW AGE ENCLOSURES
 4330 Santa Fe Road San Luis Obispo, CA. 93401
 ph. (805) 595-1310 fax (805) 595-1024
www.newageenclosures.com

STANDARD - USB DRIVE
 PXX-180804XX-XXX

SIZE A DRAWING NAME 180804_R13_0 SHEET 4 OF 8 REV.DOC 13.0

DETAIL R
 SCALE 3.000

180804 BASE



TOLERANCES: UNLESS OTHERWISE SPECIFIED
DIMENSIONS ARE IN U.S. INCHES.

X.XX = .015 X.XXXX = .001
X.XXX = .010 X.X° = 1°

NEW AGE ENCLOSURES

Customer's Part No: 180804

APPROVAL BY DATE

CHECK

ENG.

SCALE AS NOTED

DRAWN BY M BOYER

04-May-05

NEW AGE ENCLOSURES

4330 Santa Fe Road San Luis Obispo, CA. 93401
ph. (805) 595-1310 fax (805) 595-1024
www.newageenclosures.com

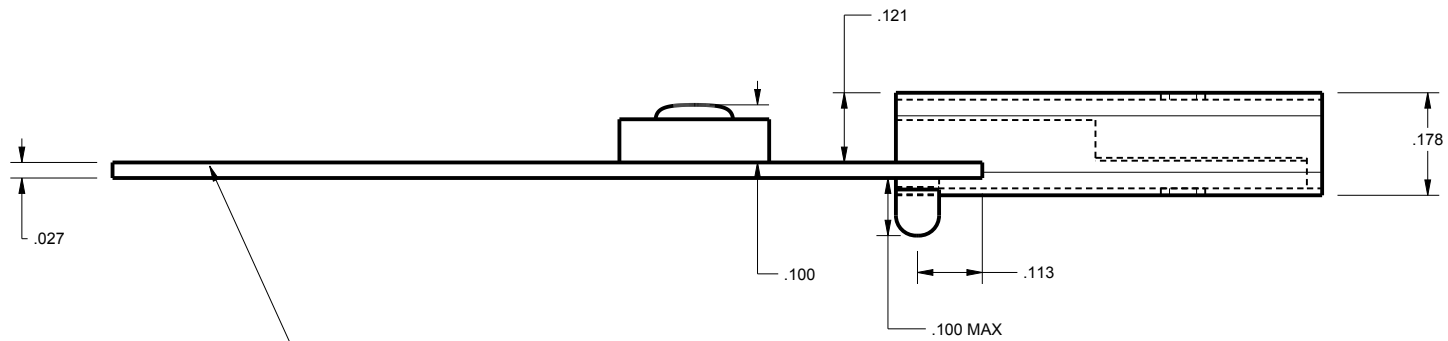
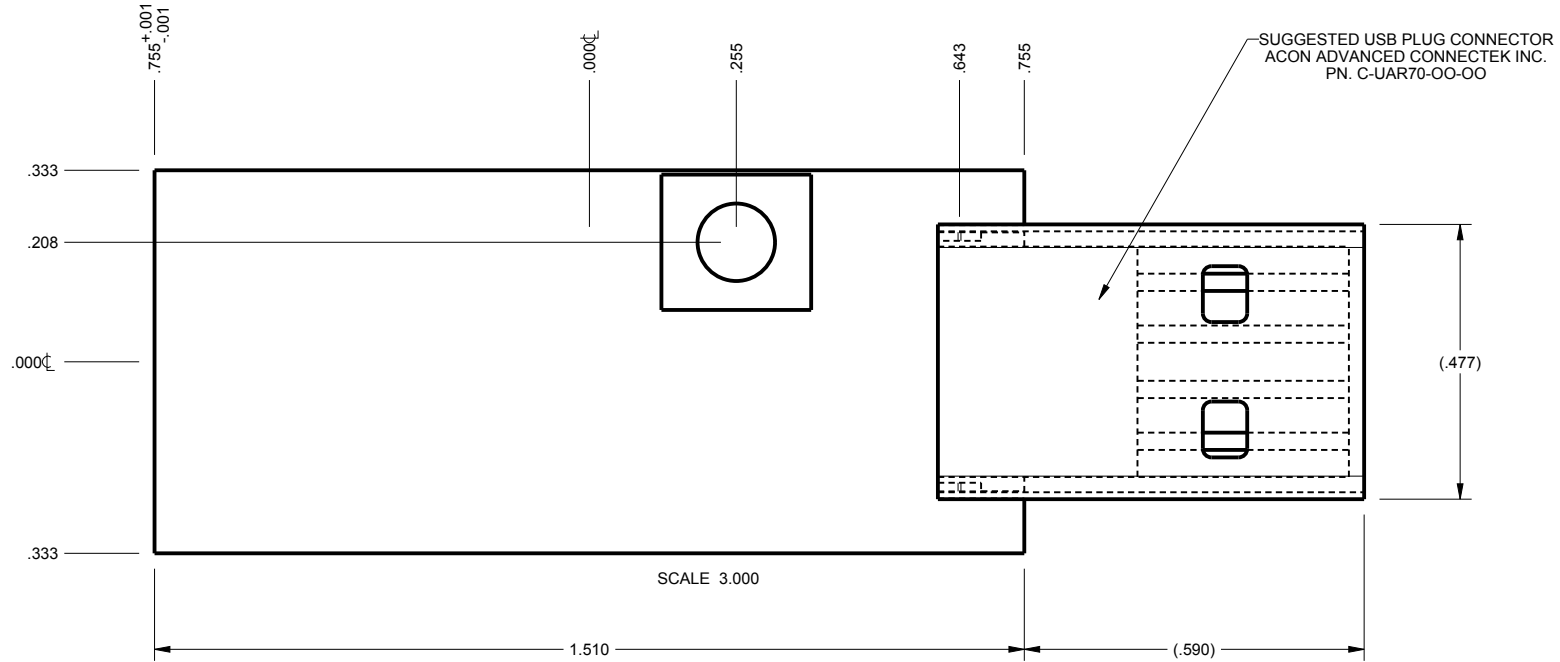
**STANDARD - USB DRIVE
PXX-180804XX-XXX**

SIZE A DRAWING NAME 180804_R13_0

SHEET 5 OF 8 REV.DOC 13.0

P180804 PCB - CUSTOMER SUPPLIED

PCB SIZES ARE RECOMMENDATIONS ONLY. FINAL SIZES AND VERIFICATION OF IT'S FIT ARE THE SOLE RESPONSIBILITY OF THE OEM.



TOLERANCES: UNLESS OTHERWISE SPECIFIED DIMENSIONS ARE IN U.S. INCHES.
 X.XX = .015 X.XXXX = .001
 X.XXX = .010 X.X° = 1°

NEW AGE ENCLOSURES

Customer's Part No: 180804

APPROVAL	BY	DATE
CHECK		
ENG.		
SCALE	AS NOTED	

DRAWN BY
M BOYER 04-May-05

NEW AGE ENCLOSURES

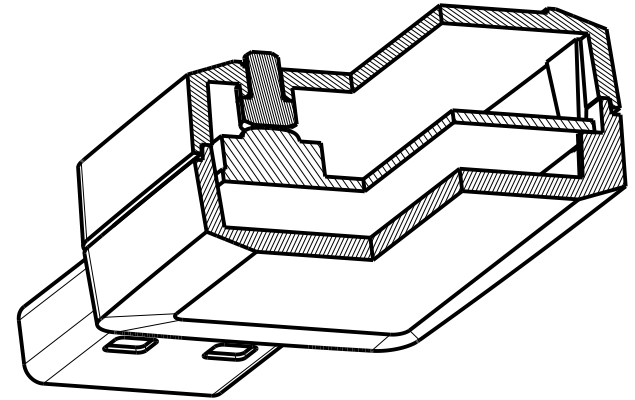
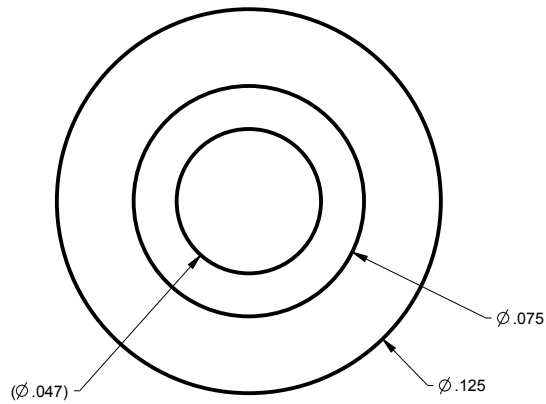
4330 Santa Fe Road San Luis Obispo, CA. 93401
 ph. (805) 595-1310 fax (805) 595-1024
www.newageenclosures.com

STANDARD - USB DRIVE
 PXX-180804XX-XXX

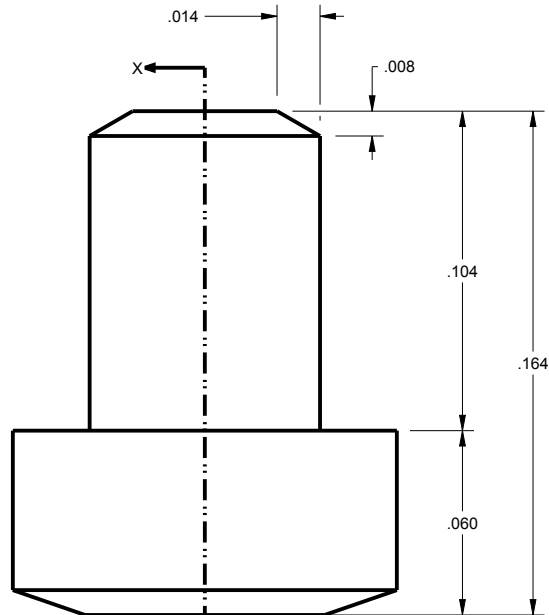
SIZE A DRAWING NAME 180804_R13_0

SHEET 6 OF 8 REV.DOC 13.0

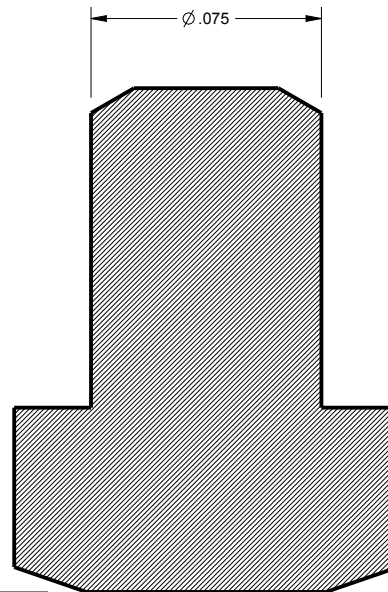
OPTIONAL BUTTON



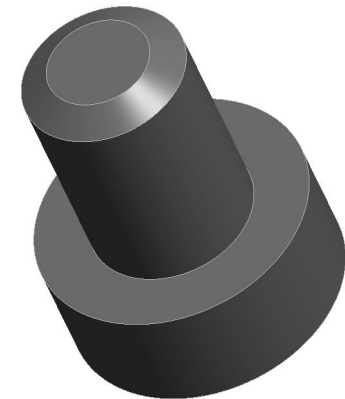
SECTION R-R
SCALE 2.500



SCALE 16.000



SECTION X-X



SCALE 12.000

TOLERANCES: UNLESS OTHERWISE SPECIFIED
DIMENSIONS ARE IN U.S. INCHES.
X.XX = .015 X.XXXX = .001
X.XXX = .010 X.X° = 1°

NEW AGE ENCLOSURES
Customer's Part No: 180804

APPROVAL BY DATE

CHECK

ENG.

SCALE AS NOTED

DRAWN BY M BOYER 04-May-05

NEW AGE ENCLOSURES
4330 Santa Fe Road San Luis Obispo, CA. 93401
ph. (805) 595-1310 fax (805) 595-1024
www.newageenclosures.com

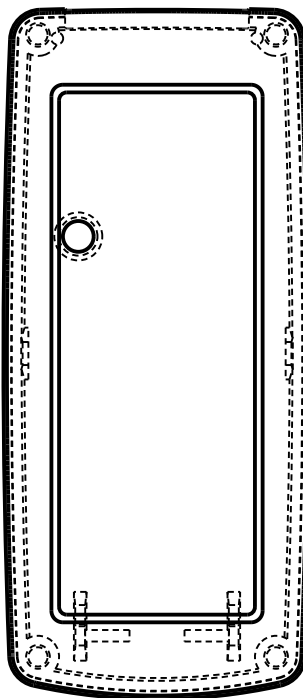
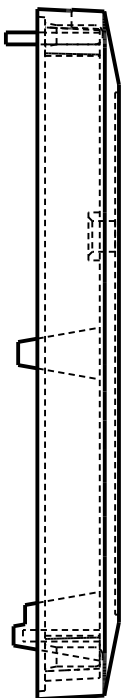
**STANDARD - USB DRIVE
PXX-180804XX-XXX**

SIZE A DRAWING NAME 180804_R13_0

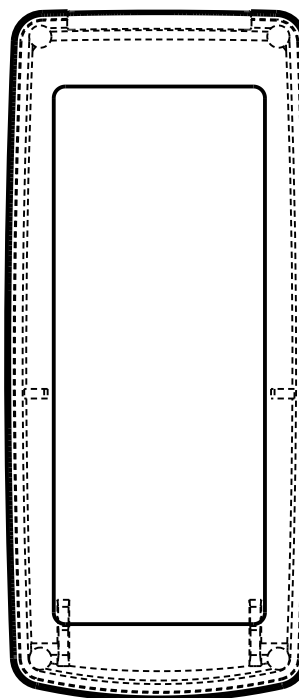
SHEET 7 OF 8 REV.DOC 13.0

2nd OPERATION DETAILS

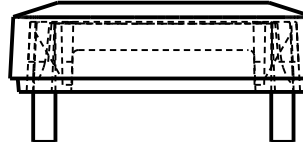
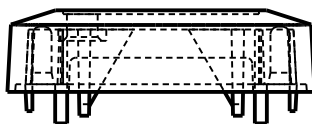
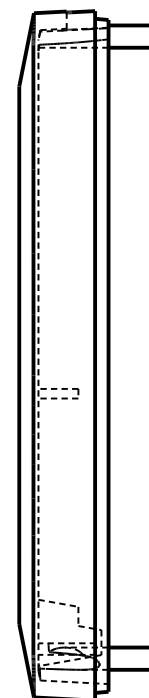
NEW AGE ENCLOSURES DELIVERS YOUR ENCLOSURE MARKET-READY WITH IN-HOUSE
CNC MACHINING, PAD PRINTING, ASSEMBLY, AND FULFILLMENT.
ALL SURFACES AND AREAS ARE AVAILABLE FOR CNC ALTERATION BY NEW AGE ENCLOSURES
CALL (805) 595-1310 FOR PRICING AND SCHEDULE.
THE INSIDE RADIUS OF ANY MACHINED FEATURES SHOULD BE NO SMALLER THAN .031"



P180804 COVER
SCALE 2.000



P180804 BASE
SCALE 2.000



PXX-180804U-XXX COVER - ABS, BLACK

STEP NO	DESCRIPTION	CUTTER	FIXTURE	ORIENTATION	PROGRAM
1-C-C1		T2 = .062" EM	100	2 UP LR- CENTER XY	
2-C-C2		T2 = .062" EM	100		

PXX-180804U-XXX BASE - ABS, BLACK

STEP NO	DESCRIPTION	CUTTER	FIXTURE	ORIENTATION	PROGRAM
3-B-C1		T2 = .062" EM	100	2 UP LR- CENTER XY	
4-B-C2		T2 = .062" EM	100		

TOLERANCES: UNLESS OTHERWISE SPECIFIED
DIMENSIONS ARE IN U.S. INCHES.

X.XX = .015 X.XXXX = .001
X.XXX = .010 X.X° = 1°

Customer's Part No: 180804

APPROVAL BY DATE

CHECK

ENG.

SCALE

AS NOTED

DRAWN BY

M BOYER 04-May-05

NEW AGE ENCLOSURES

4330 Santa Fe Road San Luis Obispo, CA. 93401
ph. (805) 595-1310 fax (805) 595-1024

www.newageenclosures.com

STANDARD - USB DRIVE PXX-180804XX-XXX

SIZE
A

DRAWING NAME
180804_R13_0

SHEET
8 OF 8

REV.DOC
13.0

Mouser Electronics

Authorized Distributor

Click to View Pricing, Inventory, Delivery & Lifecycle Information:

New Age Enclosures:

[P3A-180804UB](#) [P3A-180804U](#) [3A-180804B](#) [P1A-180804U](#) [1A-180804B](#) [P1A-180804S](#) [P1A-180804UB](#) [P3A-180804S](#)



Компания «ЭлектроПласт» предлагает заключение долгосрочных отношений при поставках импортных электронных компонентов на взаимовыгодных условиях!

Наши преимущества:

- Оперативные поставки широкого спектра электронных компонентов отечественного и импортного производства напрямую от производителей и с крупнейших мировых складов;
- Поставка более 17-ти миллионов наименований электронных компонентов;
- Поставка сложных, дефицитных, либо снятых с производства позиций;
- Оперативные сроки поставки под заказ (от 5 рабочих дней);
- Экспресс доставка в любую точку России;
- Техническая поддержка проекта, помощь в подборе аналогов, поставка прототипов;
- Система менеджмента качества сертифицирована по Международному стандарту ISO 9001;
- Лицензия ФСБ на осуществление работ с использованием сведений, составляющих государственную тайну;
- Поставка специализированных компонентов (Xilinx, Altera, Analog Devices, Intersil, Interpoint, Microsemi, Aeroflex, Peregrine, Syfer, Eurofarad, Texas Instrument, Miteq, Cobham, E2V, MA-COM, Hittite, Mini-Circuits, General Dynamics и др.);

Помимо этого, одним из направлений компании «ЭлектроПласт» является направление «Источники питания». Мы предлагаем Вам помощь Конструкторского отдела:

- Подбор оптимального решения, техническое обоснование при выборе компонента;
- Подбор аналогов;
- Консультации по применению компонента;
- Поставка образцов и прототипов;
- Техническая поддержка проекта;
- Защита от снятия компонента с производства.



Как с нами связаться

Телефон: 8 (812) 309 58 32 (многоканальный)

Факс: 8 (812) 320-02-42

Электронная почта: org@eplast1.ru

Адрес: 198099, г. Санкт-Петербург, ул. Калинина, дом 2, корпус 4, литера А.