

ADM231L–ADM234L/ADM236L–ADM241L

FEATURES

- Single 5 V power supply
- Meets all EIA-232-E and V.28 specifications
- 120 kbps data rate
- On-board dc-to-dc converters
- ±9 V output swing with 5 V supply
- Small 1 μF capacitors
- Low power shutdown ≤1 μA
- ±30 V receiver input levels
- Latch-up free

APPLICATIONS

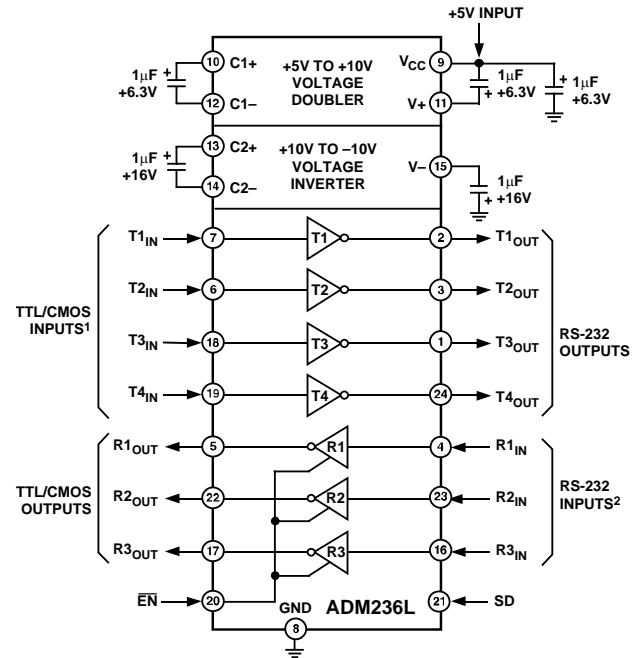
- Computers
- Peripherals
- Modems
- Printers
- Instruments

GENERAL DESCRIPTION

The ADM2xx family of line drivers/receivers is intended for all EIA-232-E and V.28 communications interfaces, especially in applications in which 12 V is not available. The ADM236L and ADM241L feature a low power shutdown mode that reduces power dissipation to less than 5 μW, making them ideally suited for battery-powered equipment. The ADM233L does not require any external components and is particularly useful in applications where printed circuit board space is critical.

All members of the ADM2xxL family, except the ADM231L and ADM239L, include two internal charge pump voltage converters that allow operation from a single 5 V supply. These parts convert the 5 V input power to the ±10 V required for RS-232 output

ADM236L TYPICAL OPERATING CIRCUIT



¹INTERNAL 400kΩ PULL-UP RESISTOR ON EACH TTL/CMOS INPUT.
²INTERNAL 5kΩ PULL-DOWN RESISTOR ON EACH RS-232 INPUT.

Figure 1.

levels. The ADM231L and ADM239L are designed to operate from 5 V and 12 V supplies. An internal +12 V to -12 V charge pump voltage converter generates the -12 V supply.

The ADM2xxL is an enhanced upgrade to the AD2xx family. It features lower power consumption, faster slew rate, and the ability to operate with smaller (1 μF) capacitors.

Table 1. Selection Table

| Part Number | Power Supply Voltage | No. of RS-232 Drivers | No. of RS-232 Receivers | External Capacitors | Low Power Shutdown (SD) | TTL Three-State $\overline{\text{EN}}$ | No. of Pins |
|-------------|-------------------------|-----------------------|-------------------------|---------------------|-------------------------|--|-------------|
| ADM231L | 5 V and 7.5 V to 13.2 V | 2 | 2 | 2 | No | No | 14 |
| ADM232L | 5 V | 2 | 2 | 4 | No | No | 16 |
| ADM233L | 5 V | 2 | 2 | None | No | No | 20 |
| ADM234L | 5 V | 4 | 0 | 4 | No | No | 16 |
| ADM236L | 5 V | 4 | 3 | 4 | Yes | Yes | 24 |
| ADM237L | 5 V | 5 | 3 | 4 | No | No | 24 |
| ADM238L | 5 V | 4 | 4 | 4 | No | No | 24 |
| ADM239L | 5 V and 7.5 V to 13.2 V | 3 | 5 | 2 | No | Yes | 24 |
| ADM241L | 5 V | 4 | 5 | 4 | Yes | Yes | 28 |

Rev. C

Information furnished by Analog Devices is believed to be accurate and reliable. However, no responsibility is assumed by Analog Devices for its use, nor for any infringements of patents or other rights of third parties that may result from its use. Specifications subject to change without notice. No license is granted by implication or otherwise under any patent or patent rights of Analog Devices. Trademarks and registered trademarks are the property of their respective owners.

TABLE OF CONTENTS

| | | | |
|--|---|---------------------------|----|
| Specifications..... | 3 | General Information | 12 |
| Absolute Maximum Ratings..... | 4 | Circuit Description | 12 |
| ESD Caution..... | 4 | Application Hints | 13 |
| Pin Configurations and Function Descriptions | 5 | Outline Dimensions | 14 |
| Typical Performance Characteristics | 8 | Ordering Guide | 17 |
| Typical Operating Circuits | 9 | | |

REVISION HISTORY

4/05—Rev. B to Rev. C

| | |
|---|-----------|
| Updated Format..... | Universal |
| Removed ADM223, ADM230L, and ADM235L..... | Universal |
| Changed Hysteresis Level..... | Universal |
| Changes to Specifications Table..... | 3 |
| Updated Outline Dimensions | 14 |
| Changes to Ordering Guide | 17 |

5/01—Rev. A to Rev. B

| | |
|--|---|
| Edits to Test Conditions/Comments of Specifications..... | 2 |
|--|---|

1/01—Rev. 0 to Rev. A

| | |
|--|---|
| Removed ESD information from Features section | 1 |
| Changes to Specifications Table..... | 2 |
| Removed ESD information from Absolute Maximum Ratings section | 2 |

Revision 0: Initial Version

SPECIFICATIONS

$V_{CC} = 5\text{ V} \pm 10\%$ (ADM231L, ADM232L, ADM234L, ADM236L, ADM238L, ADM239L, ADM241L); $V_{CC} = 5\text{ V} \pm 5\%$ (ADM233L and ADM237L); $V_+ = 7.5\text{ V}$ to 13.2 V (ADM231L and ADM239L); C1 to C4 = $1.0\text{ }\mu\text{F}$ ceramic. All specifications T_{MIN} to T_{MAX} , unless otherwise noted.

Table 2.

| Parameter | Min | Typ | Max | Unit | Test Conditions/Comments |
|---|---------|----------|----------|------------------------|---|
| Output Voltage Swing | ± 5 | ± 9 | | V | All transmitter outputs loaded with $3\text{ k}\Omega$ to ground |
| V_{CC} Power Supply Current | | 2.5 | 6.0 | mA | No load, (ADM232L only) |
| | | 3.5 | 13 | mA | No load |
| V_+ Power Supply Current | | 1.5 | 4 | mA | No load, $V_+ = 12\text{ V}$ (ADM231L and ADM239L only) |
| Shutdown Supply Current | | 1 | 10 | μA | |
| Input Logic Threshold Low, V_{INL} | | | 0.8 | V | $T_{IN}, \overline{EN}, \overline{SD}, \overline{EN}, \overline{SD}$ |
| Input Logic Threshold High, V_{INH} | 2.0 | | | V | $T_{IN}, \overline{EN}, \overline{SD}, \overline{EN}, \overline{SD}$ |
| Logic Pull-Up Current | | 12 | 25 | μA | |
| RS-232 Input Voltage Range ¹ | -30 | | +30 | V | $T_{IN} = 0\text{ V}$ |
| RS-232 Input Threshold Low | 0.8 | 1.2 | | V | |
| RS-232 Input Threshold High | | 1.6 | 2.4 | V | |
| RS-232 Input Hysteresis | | 0.65 | | V | |
| RS-232 Input Resistance | 3 | 5 | 7 | $\text{k}\Omega$ | $T_A = 0^\circ\text{C}$ to 85°C |
| TTL/CMOS Output Voltage Low, V_{OL} | | | 0.4 | V | |
| TTL/CMOS Output Voltage High, V_{OH} | 3.5 | | | V | $I_{OUT} = -1.0\text{ mA}$ |
| TTL/CMOS Output Leakage Current | | +0.05 | ± 10 | μA | $\overline{EN} = V_{CC}, 0\text{ V} \leq R_{OUT} \leq V_{CC}$ |
| Output Enable Time (T_{EN}) | | 250 | | ns | ADM236L, ADM239L, ADM241L (Figure 31, $C_L = 150\text{ pF}$) |
| Output Disable Time (T_{DIS}) | | 50 | | ns | ADM236L, ADM239L, ADM241L (Figure 31, $R_L = 1\text{ k}\Omega$) |
| Propagation Delay | | 0.3 | | μs | RS-232 to TTL |
| Transition Region Slew Rate | | 8 | | $\text{V}/\mu\text{s}$ | $R_L = 3\text{ k}\Omega, C_L = 2500\text{ pF}$, measured from $+3\text{ V}$ to -3 V or -3 V to $+3\text{ V}$ |
| Output Resistance | 300 | | | Ω | $V_{CC} = V_+ = V_- = 0\text{ V}, V_{OUT} = \pm 2\text{ V}$ |
| RS-232 Output Short-Circuit Current | | ± 10 | | mA | |

¹ Guaranteed by design.

ADM231L–ADM234L/ADM236L–ADM241L

ABSOLUTE MAXIMUM RATINGS

T_A = 25°C, unless otherwise noted.

Table 3.

| Parameter | Rating |
|--|-------------------------------------|
| V _{CC} | –0.3 V to +6 V |
| V+ | (V _{CC} – 0.3 V) to +14 V |
| V– | +0.3 V to –14 V |
| Input Voltages | |
| T _{IN} | –0.3 V to (V _{CC} + 0.3 V) |
| R _{IN} | ±30 V |
| Output Voltages | |
| T _{OUT} | (V+, +0.3 V) to (V–, –0.3 V) |
| R _{OUT} | –0.3 V to (V _{CC} + 0.3 V) |
| Short-Circuit Duration | |
| T _{OUT} | Continuous |
| Power Dissipation | |
| N-14 PDIP (Derate 10 mW/°C above 70°C) | 800 mW |
| N-16 PDIP (Derate 10.5 mW/°C above 70°C) | 840 mW |
| N-20 PDIP (Derate 11 mW/°C above 70°C) | 890 mW |
| N-24-1 PDIP (Derate 13.5 mW/°C above 70°C) | 1000 mW |
| R-16 SOIC (Derate 9 mW/°C above 70°C) | 760 mW |
| R-24 SOIC (Derate 12 mW/°C above 70°C) | 850 mW |
| R-28 SOIC (Derate 12.5 mW/°C above 70°C) | 900 mW |
| RS-28 SSOP (Derate 10 mW/°C above 70°C) | 900 mW |

| Parameter | Rating |
|--|-----------------|
| Q-14 CERDIP (Derate 10 mW/°C above 70°C) | 720 mW |
| Q-16 CERDIP (Derate 10 mW/°C above 70°C) | 800 mW |
| Q-24 CERDIP (Derate 12.5 mW/°C above 70°C) | 1000 mW |
| Thermal Impedance, θ _{JA} | |
| N-14 PDIP | 140°C/W |
| N-16 PDIP | 135°C/W |
| N-20 PDIP | 125°C/W |
| N-24-1 PDIP | 120°C/W |
| R-16 SOIC | 105°C/W |
| R-24 SOIC | 85°C/W |
| R-28 SOIC | 80°C/W |
| RS-28 SSOP | 100°C/W |
| Q-14 CERDIP | 105°C/W |
| Q-16 CERDIP | 100°C/W |
| Q-24 CERDIP | 55°C/W |
| Operating Temperature Range | |
| Commercial (J Version) | 0°C to 70°C |
| Industrial (A Version) | –40°C to +85°C |
| Storage Temperature Range | –65°C to +150°C |
| Lead Temperature, Soldering | 300°C |
| Vapor Phase (60 sec) | 215°C |
| Infrared (15 sec) | 220°C |

Stresses above those listed under Absolute Maximum Ratings may cause permanent damage to the device. This is a stress rating only and functional operation of the device at these or any other conditions above those indicated in the operational sections of this specification is not implied. Exposure to absolute maximum rating conditions for extended periods of time may affect device reliability.

ESD CAUTION

ESD (electrostatic discharge) sensitive device. Electrostatic charges as high as 4000 V readily accumulate on the human body and test equipment and can discharge without detection. Although this product features proprietary ESD protection circuitry, permanent damage may occur on devices subjected to high energy electrostatic discharges. Therefore, proper ESD precautions are recommended to avoid performance degradation or loss of functionality.



PIN CONFIGURATIONS AND FUNCTION DESCRIPTIONS



Figure 2. ADM231L PDIP Pin Configuration



Figure 3. ADM231L SOIC Pin Configuration

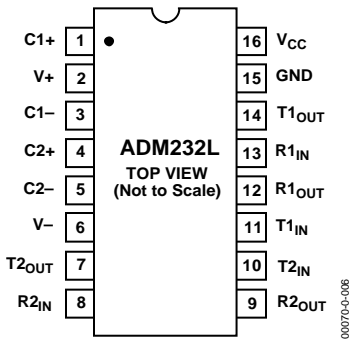


Figure 4. ADM232L PDIP/CERDIP/SOIC Pin Configuration



Figure 5. ADM233L PDIP Pin Configuration



Figure 6. ADM234L PDIP/CERDIP/SOIC Pin Configuration

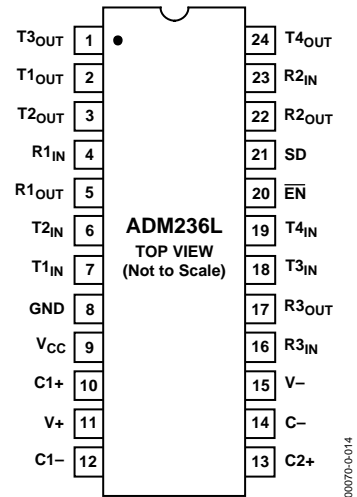


Figure 7. ADM236L PDIP/SOIC Pin Configuration

ADM231L–ADM234L/ADM236L–ADM241L



Figure 8. ADM237L PDIP/CERDIP/SOIC Pin Configuration



Figure 10. ADM239L PDIP/CERDIP/SOIC Pin Configuration



Figure 9. ADM238L PDIP/CERDIP/SOIC Pin Configuration

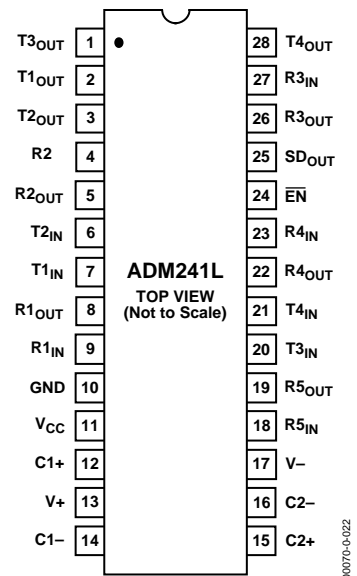


Figure 11. ADM241L SOIC/SSOP Pin Configuration

Table 4. Pin Function Descriptions

| Mnemonic | Function |
|------------------------|--|
| V _{CC} | Power Supply Input. 5 V ± 10% (5 V ± 5% for ADM233L). |
| V+ | Internally Generated Positive Supply (+10 V nominal) on all parts, except ADM231L and ADM239L. ADM231L and ADM239L require an external 7.5 V to 13.2 V supply. |
| V– | Internally Generated Negative Supply (–10 V nominal). |
| GND | Ground Pin. Must be connected to 0 V. |
| C+ | (ADM231L and ADM239L only) External capacitor (+ terminal) is connected to this pin. |
| C– | (ADM231L and ADM239L only) External capacitor (– terminal) is connected to this pin. |
| C1+ | (ADM232L, ADM234L, ADM236L, ADM237L, ADM238L, and ADM241L) External capacitor (+ terminal) is connected to this pin. (ADM233L) The capacitor is connected internally and no external connection to this pin is required. |
| C1– | (ADM232L, ADM234L, ADM236L, ADM237L, ADM238L, and ADM241L) External capacitor (– terminal) is connected to this pin. (ADM233L) The capacitor is connected internally and no external connection to this pin is required. |
| C2+ | (ADM232L, ADM234L, ADM236L, ADM237L, ADM238L, and ADM241L) External capacitor (+ terminal) is connected to this pin. (ADM233L) Internal capacitor connections, Pin 11 and Pin 15, must be connected together. |
| C2– | (ADM232L, ADM234L, ADM236L, ADM237L, ADM238L, and ADM241L) External capacitor (– terminal) is connected to this pin. (ADM233L) Internal capacitor connections, Pin 10 and Pin 16, must be connected together. |
| T _{IN} | Transmitter (Driver) Inputs. These inputs accept TTL/CMOS levels. An internal 400 kΩ pull-up resistor to V _{CC} is connected to each input. |
| T _{OUT} | Transmitter (Driver) Outputs. These are RS-232 levels (typically ±10 V). |
| R _{IN} | Receiver Inputs. These inputs accept RS-232 signal levels. An internal 5 kΩ pull-down resistor to GND is connected on each input. |
| R _{OUT} | Receiver Outputs. These are TTL/CMOS levels. |
| $\overline{\text{EN}}$ | Enable Input. Active low on ADM236L, ADM239L, and ADM241L. This input is used to enable/disable the receiver outputs. With $\overline{\text{EN}}$ = low, the receiver outputs are enabled. With $\overline{\text{EN}}$ = high, the outputs are placed in a high impedance state. This facility is useful for connecting to microprocessor systems. |
| SD | Shutdown Input. Active high on ADM236L and ADM241L. With SD = high on the ADM236L and ADM241L, the charge pump is disabled, the receiver outputs are placed in a high impedance state, and the driver outputs are turned off. |
| NC | No Connect. No connections are required to this pin. |

Table 5. ADM236L and ADM241L Truth Table

| SD | $\overline{\text{EN}}$ | Status | Transmitters T1 to T5 | Receivers R1 to R5 |
|----|------------------------|------------------|-----------------------|--------------------|
| 0 | 0 | Normal Operation | Enabled | Enabled |
| 0 | 1 | Normal Operation | Enabled | Disabled |
| 1 | 0 | Shutdown | Disabled | Disabled |

TYPICAL PERFORMANCE CHARACTERISTICS

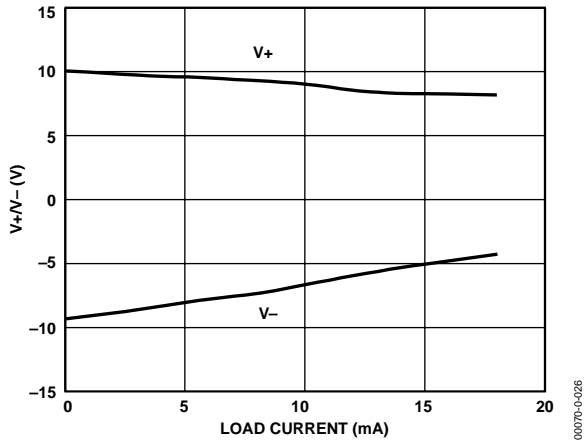


Figure 12. Charge Pump V+ and V- vs. Current

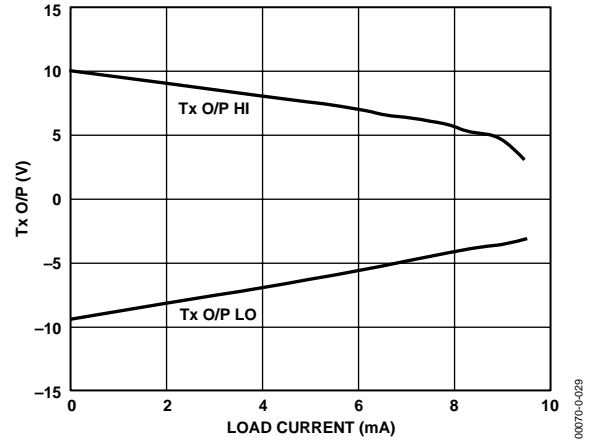


Figure 15. Transmitter Output Voltage vs. Current

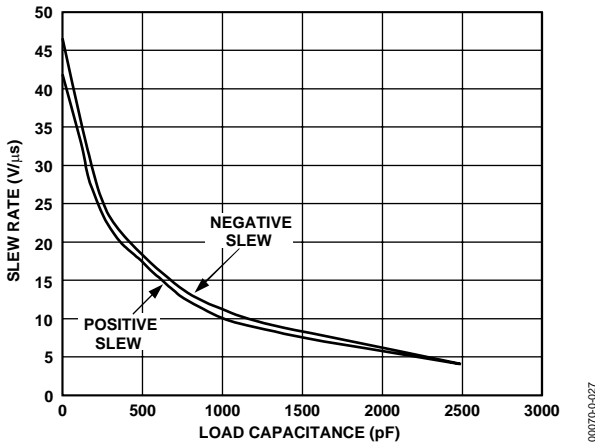


Figure 13. Transmitter Slew Rate vs. Load Capacitance

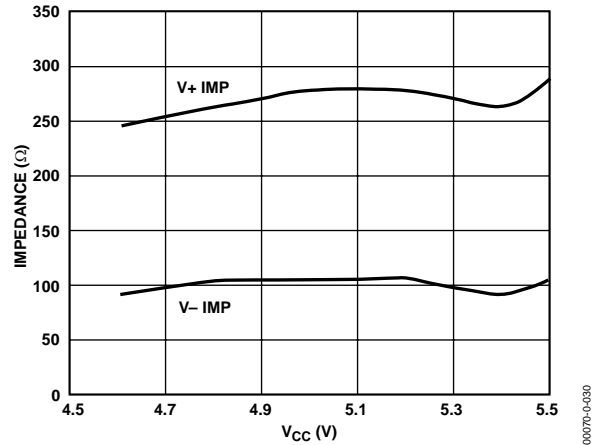


Figure 16. Charge Pump Impedance vs. Vcc

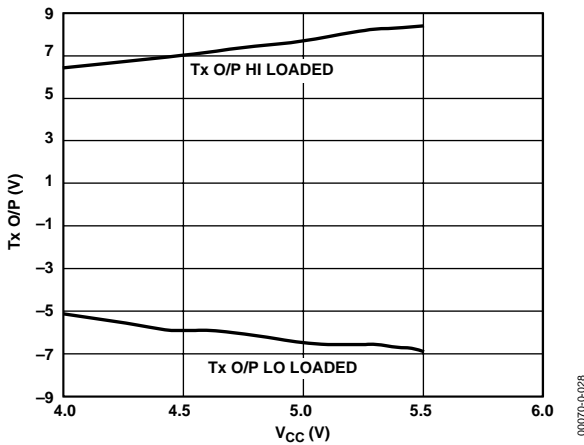


Figure 14. Transmitter Output Voltage vs. Vcc

TYPICAL OPERATING CIRCUITS

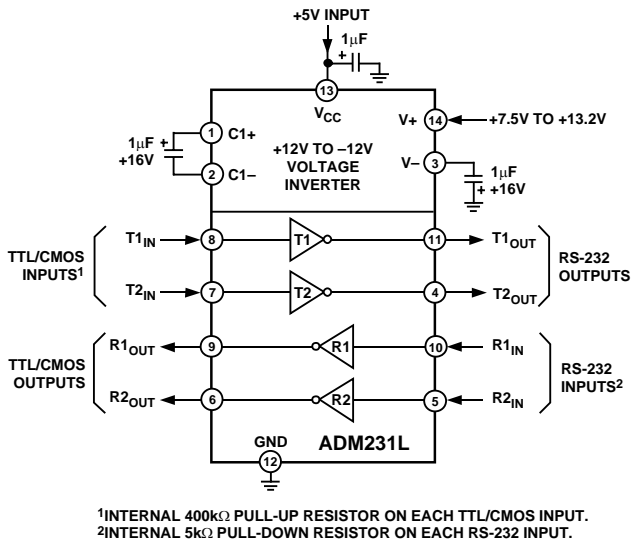


Figure 17. ADM231L Typical Operating Circuit (PDIP Pinout)

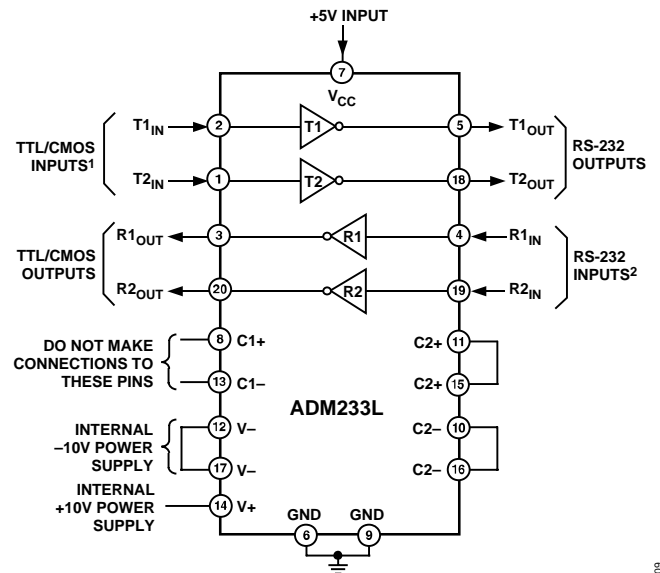


Figure 19. ADM233L Typical Operating Circuit

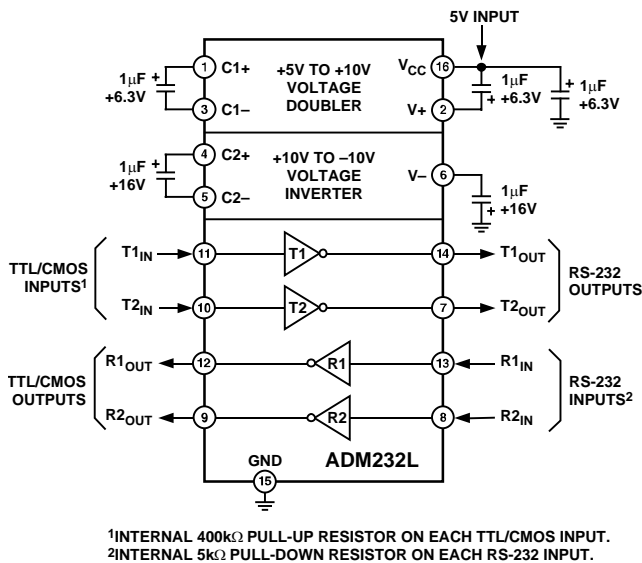


Figure 18. ADM232L Typical Operating Circuit



Figure 20. ADM234L Typical Operating Circuit

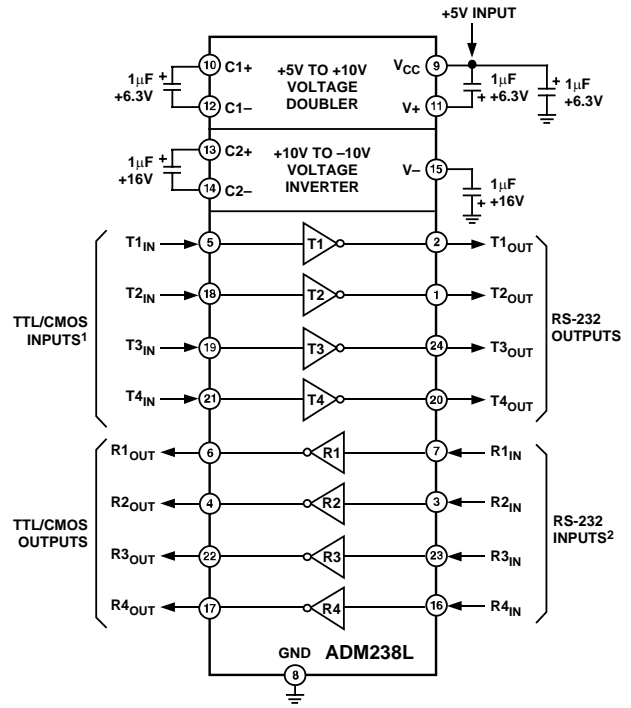
ADM231L-ADM234L/ADM236L-ADM241L



¹INTERNAL 400kΩ PULL-UP RESISTOR ON EACH TTL/CMOS INPUT.
²INTERNAL 5kΩ PULL-DOWN RESISTOR ON EACH RS-232 INPUT.

00070-0-015

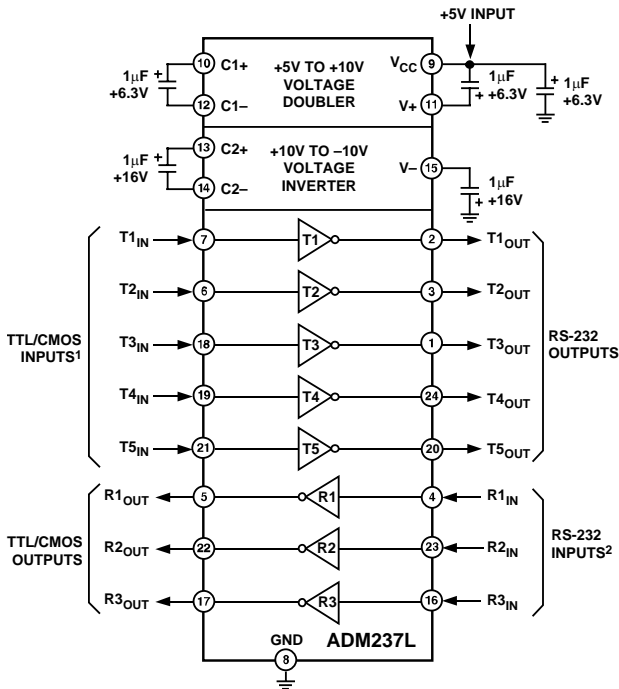
Figure 21. ADM236L Typical Operating Circuit



¹INTERNAL 400kΩ PULL-UP RESISTOR ON EACH TTL/CMOS INPUT.
²INTERNAL 5kΩ PULL-DOWN RESISTOR ON EACH RS-232 INPUT.

00070-0-019

Figure 23. ADM238L Typical Operating Circuit



¹INTERNAL 400kΩ PULL-UP RESISTOR ON EACH TTL/CMOS INPUT.
²INTERNAL 5kΩ PULL-DOWN RESISTOR ON EACH RS-232 INPUT.

00070-0-017

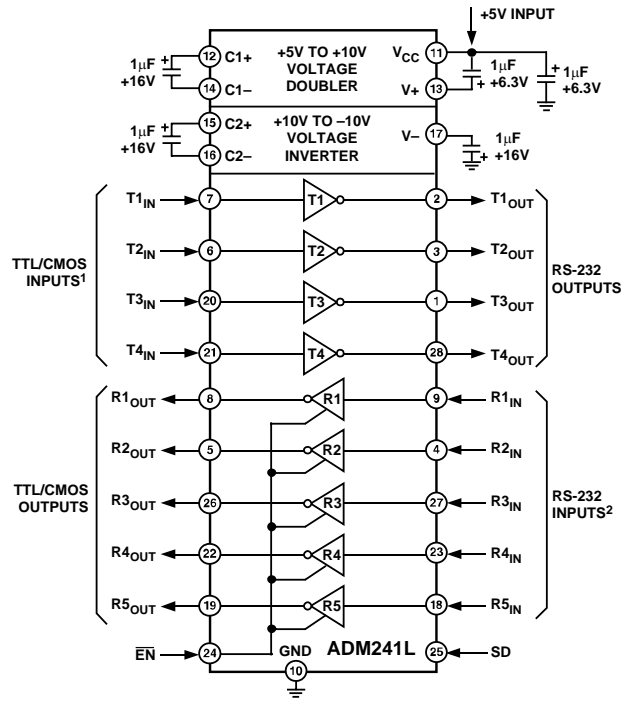
Figure 22. ADM237L Typical Operating Circuit



¹INTERNAL 400kΩ PULL-UP RESISTOR ON EACH TTL/CMOS INPUT.
²INTERNAL 5kΩ PULL-DOWN RESISTOR ON EACH RS-232 INPUT.

Figure 24. ADM239L Typical Operating Circuit

00070-0-021



¹INTERNAL 400kΩ PULL-UP RESISTOR ON EACH TTL/CMOS INPUT.
²INTERNAL 5kΩ PULL-DOWN RESISTOR ON EACH RS-232 INPUT.

Figure 25. ADM241L Typical Operating Circuit

00070-0-023

ADM231L–ADM234L/ADM236L–ADM241L

GENERAL INFORMATION

The ADM231L–ADM234L/ADM236L–ADM241L family of RS-232 drivers/receivers is designed to solve interface problems by meeting the EIA-232-E specifications while using a single digital 5 V supply. The EIA-232-E standard requires that transmitters deliver ± 5 V minimum on the transmission channel and that receivers can accept signal levels down to ± 3 V. The ADM231L–ADM234L/ADM236L–ADM241L meet these requirements by integrating step-up voltage converters and level-shifting transmitters and receivers onto the same chip. CMOS technology is used to keep the power dissipation to an absolute minimum. A comprehensive range of transmitter/receiver combinations is available for most communications needs.

The ADM236L and ADM241L are particularly useful in battery-powered systems because they feature a low power shutdown mode that reduces power dissipation to less than $5 \mu\text{W}$.

The ADM233L is designed for applications in which space saving is important because the charge pump capacitors are molded into the package. The ADM231L and ADM239L include only a negative charge pump converter and are intended for applications in which $+12$ V is available.

To facilitate sharing a common line or for connection to a microprocessor data bus, the ADM236L, ADM239L, and ADM241L feature an enable ($\overline{\text{EN}}$) function. When the receivers are disabled, their outputs are placed in a high impedance state.



Figure 26. Charge Pump V_+ and V_- Exiting Shutdown

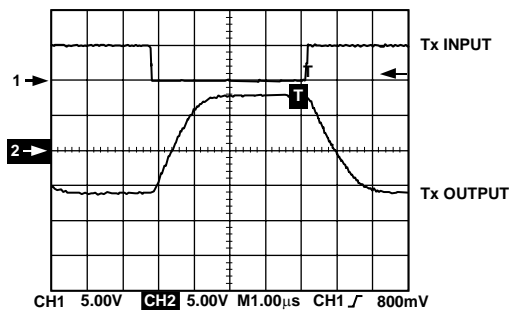


Figure 27. Transmitter Output Loaded Slew Rate



Figure 28. Transmitter Output Unloaded Slew Rate

CIRCUIT DESCRIPTION

The internal circuitry in the ADM236L to ADM241L consists of three main sections: a charge pump voltage converter, RS-232-to-TTL/CMOS receivers, and TTL/CMOS-to-RS-232 transmitters.

Charge Pump DC-to-DC Voltage Converter

The charge pump voltage converter consists of an oscillator and a switching matrix. The converter generates a 10 V supply from the 5 V input. This is done in two stages using a switched capacitor technique, as illustrated in Figure 29 and Figure 30. First, the 5 V input supply is doubled to 10 V, using capacitor C1 as the charge storage element. The 10 V level is then inverted to generate -10 V, using C2 as the storage element.



Figure 29. Charge Pump Voltage Doubler



Figure 30. Charge Pump Voltage Inverter

Capacitors C3 and C4 are used to reduce the output ripple. Their values are not critical and can be reduced if higher levels of ripple are acceptable. The charge pump capacitors, C1 and C2, can be reduced at the expense of higher output impedance on the V_+ and V_- supplies, and the V_+ and V_- supplies can be used to power external circuitry if the current requirements are small.

Transmitter (Driver) Section

The drivers convert TTL/CMOS input levels into EIA-232-E output levels. With $V_{CC} = +5\text{ V}$ and driving a typical EIA-232-E load, the output voltage swing is $\pm 9\text{ V}$. Even under worst-case conditions, the drivers are guaranteed to meet the $\pm 5\text{ V}$ EIA-232-E minimum requirement.

The input threshold levels are both TTL- and CMOS-compatible with the switching threshold set at $V_{CC}/4$. With a nominal $V_{CC} = 5\text{ V}$, the switching threshold is 1.25 V typical. Unused inputs can be left unconnected because an internal $400\text{ k}\Omega$ pull-up resistor pulls them high, forcing the outputs into a low state.

As required by the EIA-232-E standard, the slew rate is limited to less than $30\text{ V}/\mu\text{s}$ without the need for an external slew-limiting capacitor, and the output impedance in the power-off state is greater than $300\ \Omega$.

Receiver Section

The receivers are inverting level shifters that accept EIA-232-E input levels ($\pm 5\text{ V}$ to $\pm 15\text{ V}$) and translate them into 5 V TTL/CMOS levels. The inputs have internal $5\text{ k}\Omega$ pull-down resistors to ground and are protected against overvoltages of up to $\pm 30\text{ V}$. The guaranteed switching thresholds are 0.8 V minimum and 2.4 V maximum, which are well within the $\pm 3\text{ V}$ EIA-232-E requirement. The low level threshold is deliberately positive because it ensures that an unconnected input is interpreted as a low level.

The receivers have Schmitt trigger inputs with a hysteresis level of 0.65 V . This ensures error-free reception for both noisy inputs and inputs with slow transition times.

Shutdown (SD)

The ADM236L and ADM241L feature a control input that can be used to disable the part and reduce the power consumption to less than $5\ \mu\text{W}$. This is very useful in battery-operated systems. During shutdown, the charge pump is turned off, the transmitters are disabled, and all receivers are put into a high impedance, disabled state. The shutdown control input is active high on all parts (see Table 5).

Enable Input

ADM239L and ADM241L feature an enable input used to enable or disable the receiver outputs. The enable input is active low on the ADM239L and ADM241L (see Table 5). When the receivers are disabled, their outputs are placed in a high impedance state. This function allows the outputs to be connected directly to a microprocessor data bus. It can also be used to allow receivers from different devices to share a common data line. The timing diagram for the enable function is shown in Figure 31.

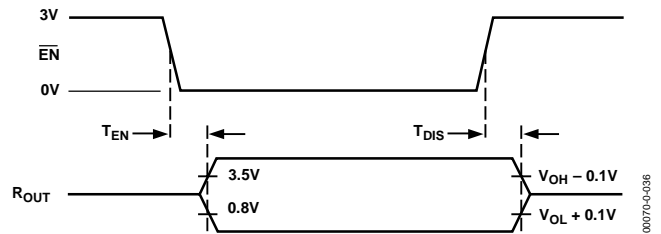


Figure 31. Enable Timing

APPLICATION HINTS

Driving Long Cables

In accordance with the EIA-232-E standard, long cables are permissible, provided that the total load capacitance does not exceed 2500 pF . For longer cables that do exceed this, it is possible to trade off baud rate for cable length. Large load capacitances cause a reduction in slew rate; therefore, the maximum transmission baud rate is decreased. The ADM236L to ADM241L are designed to minimize the slew rate reduction that occurs as load capacitance increases.

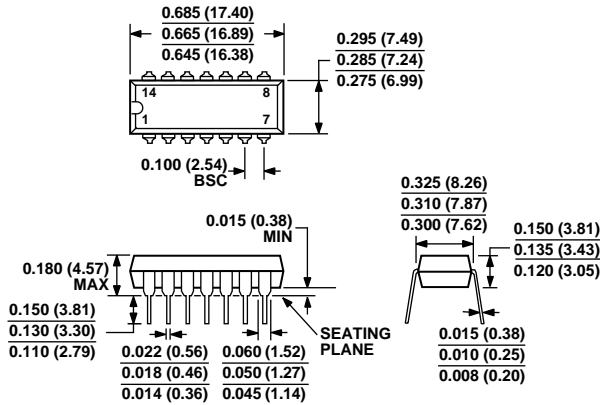
For the receivers, it is important that a high level of noise immunity be built in so that slow rise and fall times do not cause multiple output transitions as the signal passes slowly through the transition region. The ADM236L to ADM241L have 0.65 V of hysteresis to guard against this. This ensures that even in noisy environments error-free reception can be achieved.

High Baud Rate Operation

The ADM236L to ADM241L feature high slew rates, permitting data transmission at rates well in excess of the EIA-232-E specification. The drivers maintain $\pm 5\text{ V}$ signal levels at data rates up to 100 kbps under worst-case loading conditions.

ADM231L-ADM234L/ADM236L-ADM241L

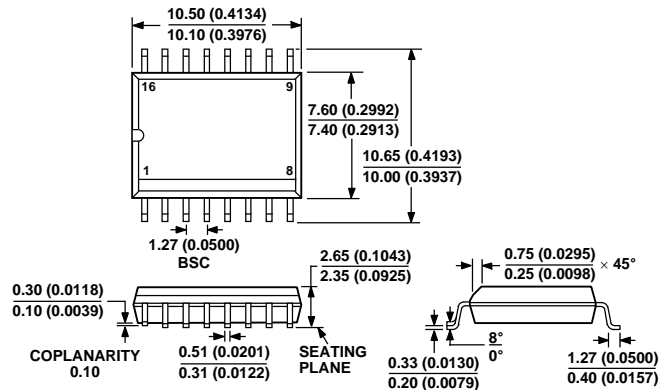
OUTLINE DIMENSIONS



COMPLIANT TO JEDEC STANDARDS MO-095-AB
 CONTROLLING DIMENSIONS ARE IN INCHES; MILLIMETER DIMENSIONS (IN PARENTHESES) ARE ROUNDED-OFF INCH EQUIVALENTS FOR REFERENCE ONLY AND ARE NOT APPROPRIATE FOR USE IN DESIGN

Figure 32. 14-Lead Plastic Dual In-Line Package [PDIP] (N-14)

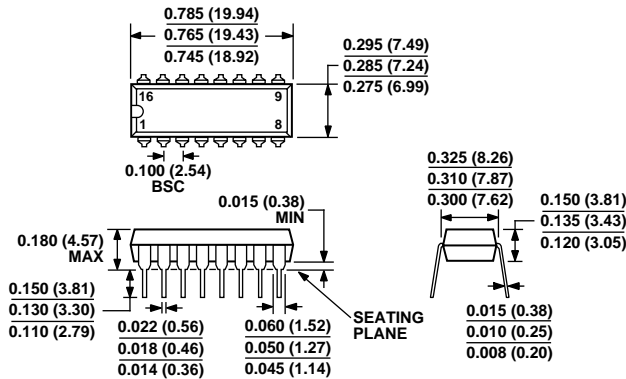
Dimensions shown in inches and (millimeters)



COMPLIANT TO JEDEC STANDARDS MS-013AA
 CONTROLLING DIMENSIONS ARE IN MILLIMETERS; INCH DIMENSIONS (IN PARENTHESES) ARE ROUNDED-OFF MILLIMETER EQUIVALENTS FOR REFERENCE ONLY AND ARE NOT APPROPRIATE FOR USE IN DESIGN

Figure 34. 16-Lead Standard Small Outline Package [SOIC] Wide Body (R-16)

Dimensions shown in millimeters and (inches)



COMPLIANT TO JEDEC STANDARDS MO-095AC
 CONTROLLING DIMENSIONS ARE IN INCHES; MILLIMETER DIMENSIONS (IN PARENTHESES) ARE ROUNDED-OFF INCH EQUIVALENTS FOR REFERENCE ONLY AND ARE NOT APPROPRIATE FOR USE IN DESIGN

Figure 33. 16-Lead Plastic Dual In-Line Package [PDIP] (N-16)

Dimensions shown in inches and (millimeters)



CONTROLLING DIMENSIONS ARE IN INCHES; MILLIMETER DIMENSIONS (IN PARENTHESES) ARE ROUNDED-OFF INCH EQUIVALENTS FOR REFERENCE ONLY AND ARE NOT APPROPRIATE FOR USE IN DESIGN

Figure 35. 14-Lead Ceramic Dual In-Line Package [CERDIP] (Q-14)

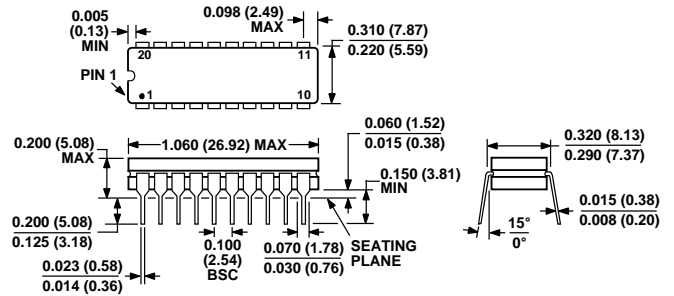
Dimensions shown in inches and (millimeters)

ADM231L-ADM234L/ADM236L-ADM241L



CONTROLLING DIMENSIONS ARE IN INCHES; MILLIMETER DIMENSIONS (IN PARENTHESES) ARE ROUNDED-OFF INCH EQUIVALENTS FOR REFERENCE ONLY AND ARE NOT APPROPRIATE FOR USE IN DESIGN

Figure 36. 16-Lead Ceramic Dual In-Line Package [CERDIP] (Q-16)
Dimensions shown in inches and (millimeters)



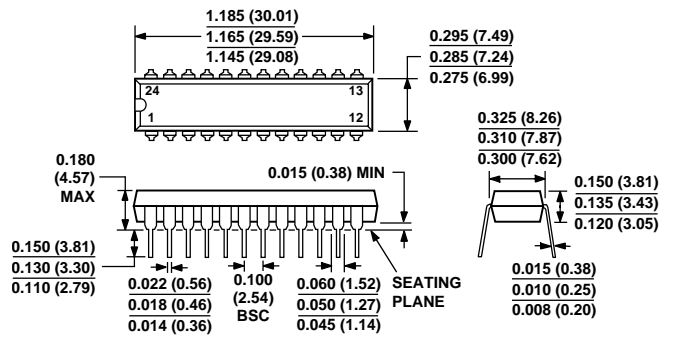
CONTROLLING DIMENSIONS ARE IN INCHES; MILLIMETER DIMENSIONS (IN PARENTHESES) ARE ROUNDED-OFF INCH EQUIVALENTS FOR REFERENCE ONLY AND ARE NOT APPROPRIATE FOR USE IN DESIGN

Figure 39. 20-Lead Ceramic Dual In-Line Package [CERDIP] (Q-20)
Dimensions shown in inches and (millimeters)



COMPLIANT TO JEDEC STANDARDS MO-095-AE
CONTROLLING DIMENSIONS ARE IN INCHES; MILLIMETER DIMENSIONS (IN PARENTHESES) ARE ROUNDED-OFF INCH EQUIVALENTS FOR REFERENCE ONLY AND ARE NOT APPROPRIATE FOR USE IN DESIGN

Figure 37. 20-Lead Plastic Dual In-Line Package [PDIP] (N-20)
Dimensions shown in inches and (millimeters)



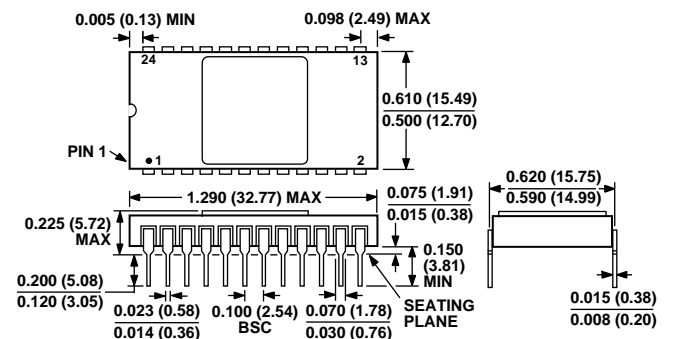
COMPLIANT TO JEDEC STANDARDS MO-095AG
CONTROLLING DIMENSIONS ARE IN INCHES; MILLIMETER DIMENSIONS (IN PARENTHESES) ARE ROUNDED-OFF INCH EQUIVALENTS FOR REFERENCE ONLY AND ARE NOT APPROPRIATE FOR USE IN DESIGN

Figure 40. 24-Lead Plastic Dual In-Line Package [PDIP] (N-24-1)
Dimensions shown in inches and (millimeters)



COMPLIANT TO JEDEC STANDARDS MS-013AC
CONTROLLING DIMENSIONS ARE IN MILLIMETERS; INCH DIMENSIONS (IN PARENTHESES) ARE ROUNDED-OFF MILLIMETER EQUIVALENTS FOR REFERENCE ONLY AND ARE NOT APPROPRIATE FOR USE IN DESIGN

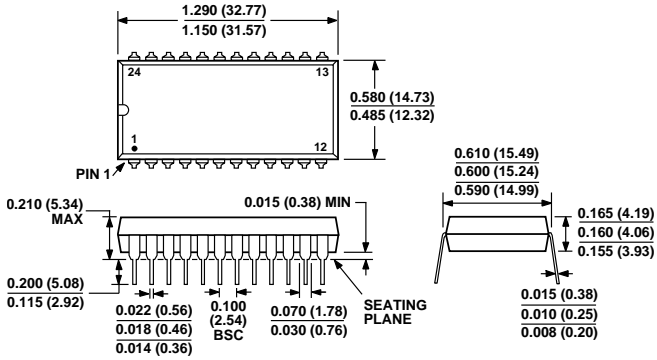
Figure 38. 20-Lead Standard Small Outline Package [SOIC] Wide Body (R-20)
Dimensions shown in millimeters and (inches)



CONTROLLING DIMENSIONS ARE IN INCHES; MILLIMETER DIMENSIONS (IN PARENTHESES) ARE ROUNDED-OFF INCH EQUIVALENTS FOR REFERENCE ONLY AND ARE NOT APPROPRIATE FOR USE IN DESIGN

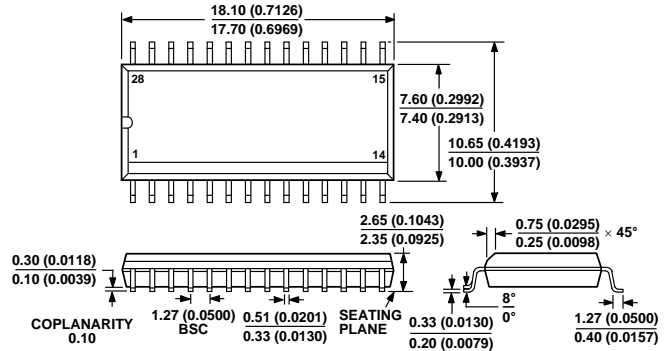
Figure 41. 24-Lead Side-Braced Ceramic Dual In-Line Package [SBDIP] (D-24-2)
Dimensions shown in inches and (millimeters)

ADM231L-ADM234L/ADM236L-ADM241L



COMPLIANT TO JEDEC STANDARDS MS-011-AA
CONTROLLING DIMENSIONS ARE IN INCHES; MILLIMETER DIMENSIONS (IN PARENTHESES) ARE ROUNDED-OFF INCH EQUIVALENTS FOR REFERENCE ONLY AND ARE NOT APPROPRIATE FOR USE IN DESIGN

Figure 42. 24-Lead Plastic Dual In-Line Package [PDIP] Wide Body (N-24-2)
Dimensions shown in inches and (millimeters)



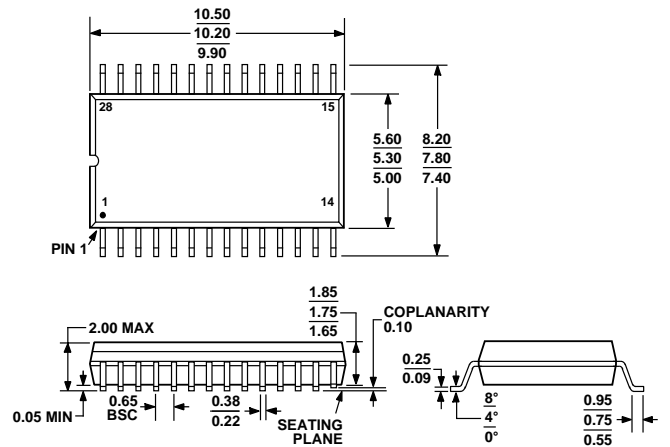
COMPLIANT TO JEDEC STANDARDS MS-013AE
CONTROLLING DIMENSIONS ARE IN MILLIMETERS; INCH DIMENSIONS (IN PARENTHESES) ARE ROUNDED-OFF MILLIMETER EQUIVALENTS FOR REFERENCE ONLY AND ARE NOT APPROPRIATE FOR USE IN DESIGN

Figure 45. 28-Lead Standard Small Outline Package [SOIC] Wide Body (R-28)
Dimensions shown in millimeters and (inches)



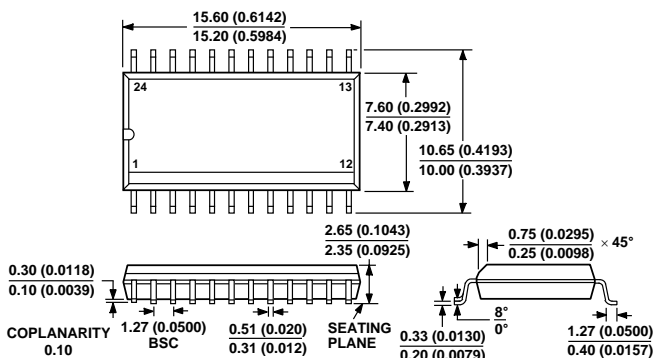
CONTROLLING DIMENSIONS ARE IN INCHES; MILLIMETER DIMENSIONS (IN PARENTHESES) ARE ROUNDED-OFF INCH EQUIVALENTS FOR REFERENCE ONLY AND ARE NOT APPROPRIATE FOR USE IN DESIGN

Figure 43. 24-Lead Ceramic Dual in-Line Package [CERDIP] (Q-24)
Dimensions shown in inches and (millimeters)



COMPLIANT TO JEDEC STANDARDS MO-150AH

Figure 46. 28-Lead Shrink Small Outline Package [SSOP] (RS-28)
Dimensions shown in millimeters



COMPLIANT TO JEDEC STANDARDS MS-013AD
CONTROLLING DIMENSIONS ARE IN MILLIMETERS; INCH DIMENSIONS (IN PARENTHESES) ARE ROUNDED-OFF MILLIMETER EQUIVALENTS FOR REFERENCE ONLY AND ARE NOT APPROPRIATE FOR USE IN DESIGN

Figure 44. 24-Lead Standard Small Outline Package [SOIC] Wide Body (R-24)
Dimensions shown in millimeters and (inches)

ADM231L–ADM234L/ADM236L–ADM241L

ORDERING GUIDE

| Model | Temperature Range | Package Description | Package Option |
|-------------------------------|-------------------|---------------------|----------------|
| ADM231LJN | 0°C to 70°C | 14-lead PDIP | N-14 |
| ADM231LJR | 0°C to 70°C | 16-lead SOIC | R-16 |
| ADM231LJR-REEL | 0°C to 70°C | 16-lead SOIC | R-16 |
| ADM231LJRZ-REEL ¹ | 0°C to 70°C | 16-lead SOIC | R-16 |
| ADM231LAN | –40°C to +85°C | 14-lead PDIP | N-14 |
| ADM231LAQ | –40°C to +85°C | 14-lead CERDIP | Q-14 |
| ADM231LAR | –40°C to +85°C | 16-lead SOIC | R-16 |
| ADM231LAR-REEL | –40°C to +85°C | 16-lead SOIC | R-16 |
| ADM232LJR | 0°C to 70°C | 16-lead SOIC | R-16 |
| ADM232LJR-REEL | 0°C to 70°C | 16-lead SOIC | R-16 |
| ADM232LJRZ ¹ | 0°C to 70°C | 16-lead SOIC | R-16 |
| ADM232LJRZ-REEL7 ¹ | 0°C to 70°C | 16-lead SOIC | R-16 |
| ADM232LAN | –40°C to +85°C | 16-lead PDIP | N-16 |
| ADM232LAR | –40°C to +85°C | 16-lead SOIC | R-16 |
| ADM232LAR-REEL | –40°C to +85°C | 16-lead SOIC | R-16 |
| ADM232LARZ ¹ | –40°C to +85°C | 16-lead SOIC | R-16 |
| ADM232LARZ-REEL ¹ | –40°C to +85°C | 16-lead SOIC | R-16 |
| ADM232LJN | 0°C to 70°C | 20-lead PDIP | N-16 |
| ADM232LJNZ ¹ | 0°C to 70°C | 20-lead PDIP | N-16 |
| ADM233LJN | 0°C to 70°C | 20-lead PDIP | N-20 |
| ADM233LAN | –40°C to +85°C | 20-lead PDIP | N-20 |
| ADM234LJN | 0°C to 70°C | 16-lead PDIP | N-16 |
| ADM234LJR | 0°C to 70°C | 16-lead SOIC | R-16 |
| ADM234LJR-REEL | 0°C to 70°C | 16-lead SOIC | R-16 |
| ADM234LJRZ ¹ | 0°C to 70°C | 16-lead SOIC | R-16 |
| ADM234LJRZ-REEL ¹ | 0°C to 70°C | 16-lead SOIC | R-16 |
| ADM234LAN | –40°C to +85°C | 16-lead PDIP | N-16 |
| ADM234LAQ | –40°C to +85°C | 16-lead CERDIP | Q-16 |
| ADM234LAR | –40°C to +85°C | 16-lead SOIC | R-16 |
| ADM234LAR-REEL | –40°C to +85°C | 16-lead SOIC | R-16 |
| ADM236LJN | 0°C to 70°C | 24-lead PDIP | N-24-1 |
| ADM236LJR | 0°C to 70°C | 24-lead SOIC | R-24 |
| ADM236LJR-REEL | 0°C to 70°C | 24-lead SOIC | R-24 |
| ADM236LAN | –40°C to +85°C | 24-lead PDIP | N-24-1 |
| ADM236LAR | –40°C to +85°C | 24-lead SOIC | R-24 |
| ADM236LAR-REEL | –40°C to +85°C | 24-lead SOIC | R-24 |
| ADM237LJN | 0°C to 70°C | 24-lead PDIP | N-24-1 |
| ADM237LJR | 0°C to 70°C | 24-lead SOIC | R-24 |
| ADM237LJR-REEL | 0°C to 70°C | 24-lead SOIC | R-24 |
| ADM237LJRZ ¹ | 0°C to 70°C | 24-lead SOIC | R-24 |
| ADM237LJRZ-REEL ¹ | 0°C to 70°C | 24-lead SOIC | R-24 |
| ADM237LAN | –40°C to +85°C | 24-lead PDIP | N-24-1 |
| ADM237LAQ | –40°C to +85°C | 24-lead CERDIP | Q-24 |
| ADM237LAR | –40°C to +85°C | 24-lead SOIC | R-24 |
| ADM237LAR-REEL | –40°C to +85°C | 24-lead SOIC | R-24 |
| ADM238LJN | 0°C to 70°C | 24-lead PDIP | N-24-1 |
| ADM238LJNZ ¹ | 0°C to 70°C | 24-lead PDIP | N-24-1 |
| ADM238LJR | 0°C to 70°C | 24-lead SOIC | R-24 |
| ADM238LJR-REEL | 0°C to 70°C | 24-lead SOIC | R-24 |
| ADM238LJRZ ¹ | 0°C to 70°C | 24-lead SOIC | R-24 |
| ADM238LJRZ-REEL ¹ | 0°C to 70°C | 24-lead SOIC | R-24 |

ADM231L–ADM234L/ADM236L–ADM241L

| Model | Temperature Range | Package Description | Package Option |
|------------------------------|-------------------|---------------------|----------------|
| ADM238LAN | –40°C to +85°C | 24-lead PDIP | N-24-1 |
| ADM238LAQ | –40°C to +85°C | 24-lead CERDIP | Q-24 |
| ADM238LAR | –40°C to +85°C | 24-lead SOIC | R-24 |
| ADM238LAR-REEL | –40°C to +85°C | 24-lead SOIC | R-24 |
| ADM238LARZ ¹ | –40°C to +85°C | 24-lead SOIC | R-24 |
| ADM238LARZ-REEL ¹ | –40°C to +85°C | 24-lead SOIC | R-24 |
| ADM239LJN | 0°C to 70°C | 24-lead PDIP | N-24-1 |
| ADM239LJR | 0°C to 70°C | 24-lead SOIC | R-24 |
| ADM239LJR-REEL | 0°C to 70°C | 24-lead SOIC | R-24 |
| ADM239LJRZ ¹ | 0°C to 70°C | 24-lead SOIC | R-24 |
| ADM239LJRZ-REEL ¹ | 0°C to 70°C | 24-lead SOIC | R-24 |
| ADM239LAN | –40°C to +85°C | 24-lead PDIP | N-24-1 |
| ADM239LAQ | –40°C to +85°C | 24-lead CERDIP | Q-24 |
| ADM239LAR | –40°C to +85°C | 24-lead SOIC | R-24 |
| ADM239LAR-REEL | –40°C to +85°C | 24-lead SOIC | R-24 |
| ADM241LJR | 0°C to 70°C | 28-lead SOIC | R-28 |
| ADM241LJR-REEL | 0°C to 70°C | 28-lead SOIC | R-28 |
| ADM241LJRZ ¹ | 0°C to 70°C | 28-lead SOIC | R-28 |
| ADM241LJRZ-REEL ¹ | 0°C to 70°C | 28-lead SOIC | R-28 |
| ADM241LAR | –40°C to +85°C | 28-lead SOIC | R-28 |
| ADM241LAR-REEL | –40°C to +85°C | 28-lead SOIC | R-28 |
| ADM241LJRS | 0°C to 70°C | 28-lead SSOP | RS-28 |
| ADM241LJRS-REEL | 0°C to 70°C | 28-lead SSOP | RS-28 |
| ADM241LARS | –40°C to +85°C | 28-lead SSOP | RS-28 |
| ADM241LARS-REEL | –40°C to +85°C | 28-lead SSOP | RS-28 |

¹ Z = Pb-free part.

NOTES

NOTES



Компания «ЭлектроПласт» предлагает заключение долгосрочных отношений при поставках импортных электронных компонентов на взаимовыгодных условиях!

Наши преимущества:

- Оперативные поставки широкого спектра электронных компонентов отечественного и импортного производства напрямую от производителей и с крупнейших мировых складов;
- Поставка более 17-ти миллионов наименований электронных компонентов;
- Поставка сложных, дефицитных, либо снятых с производства позиций;
- Оперативные сроки поставки под заказ (от 5 рабочих дней);
- Экспресс доставка в любую точку России;
- Техническая поддержка проекта, помощь в подборе аналогов, поставка прототипов;
- Система менеджмента качества сертифицирована по Международному стандарту ISO 9001;
- Лицензия ФСБ на осуществление работ с использованием сведений, составляющих государственную тайну;
- Поставка специализированных компонентов (Xilinx, Altera, Analog Devices, Intersil, Interpoint, Microsemi, Aeroflex, Peregrine, Syfer, Eurofarad, Texas Instrument, Miteq, Cobham, E2V, MA-COM, Hittite, Mini-Circuits, General Dynamics и др.);

Помимо этого, одним из направлений компании «ЭлектроПласт» является направление «Источники питания». Мы предлагаем Вам помощь Конструкторского отдела:

- Подбор оптимального решения, техническое обоснование при выборе компонента;
- Подбор аналогов;
- Консультации по применению компонента;
- Поставка образцов и прототипов;
- Техническая поддержка проекта;
- Защита от снятия компонента с производства.



Как с нами связаться

Телефон: 8 (812) 309 58 32 (многоканальный)

Факс: 8 (812) 320-02-42

Электронная почта: org@eplast1.ru

Адрес: 198099, г. Санкт-Петербург, ул. Калинина, дом 2, корпус 4, литера А.