

NLAS4717

4.5 Ω High Bandwidth, Dual SPDT Analog Switch

The NLAS4717 is an advanced CMOS analog switch fabricated in sub-micron silicon gate CMOS technology. The device is a dual independent Single Pole Double Throw (SPDT) switch featuring two low $R_{DS(on)}$ of 4.5 Ω at 3.0 V.

The device also features guaranteed Break-Before-Make (BBM) switching, assuring the switches never short the driver.

The NLAS4717 is available in two small size packages:

- ◆ Micro10: 3.0 x 5.0 mm
- ◆ Flip-Chip-10: 2.0 x 1.5 mm

Features

- Low $R_{DS(on)}$: 4.5 Ω @ 3.0 V
- Matching Between the Switches ±0.5 Ω
- Wide Low Voltage Range: 1.8 V to 5.5 V
- High Bandwidth > 40 MHz
- 1.65 V to 5.5 V Operating Range
- Low Threshold Voltages on Pins 4 and 8 (CTRL Pins)
- Ultra-Low Charge Injection ≤ 6.0 pC
- Low Standby Current – $I_{CC} = 1.0$ nA (Max) @ $T_A = 25^\circ\text{C}$
- OVT* on Pins 4 and 8 (CTRL Logic Pins)
- Pb-Free Packages are Available

Typical Applications

- Cell Phones
- PDAs
- MP3s
- Digital Still Cameras

Important Information

- ESD Protection:
HBM = 2000 V, MM = 200 V
- Latchup Max Rating: 200 mA (Per JEDEC EIA/JESD78)
- Pin-to-Pin Compatible with MAX4717

*OVT

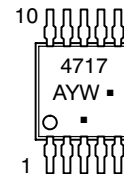
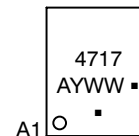
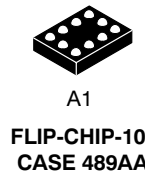
- Overvoltage Tolerance (OVT) specific pins to operate higher than normal supply voltages, with no damage to the devices or to signal integrity.



ON Semiconductor®

<http://onsemi.com>

MARKING DIAGRAMS



- A = Assembly Location
- Y = Year
- W, WW = Work Week
- = Pb-Free Package

FUNCTION TABLE

| IN_ | NO_ | NC_ |
|-----|-----|-----|
| 0 | OFF | ON |
| 1 | ON | OFF |

ORDERING INFORMATION

| Device | Package | Shipping† |
|---------------|---------------------------|-----------------------|
| NLAS4717FCT1 | Flip-Chip-10 | 3000 / Tape & Reel |
| NLAS4717FCT1G | Flip-Chip-10 (Pb-Free) | 3000 / Tape & Reel |
| NLAS4717MR2 | Micro10 | 4000 / Tape & Reel |
| NLAS4717MR2G | Micro10 (Pb-Free) | 4000 / Tape & Reel |

†For information on tape and reel specifications, including part orientation and tape sizes, please refer to our Tape and Reel Packaging Specifications Brochure, BRD8011/D.

NLAS4717

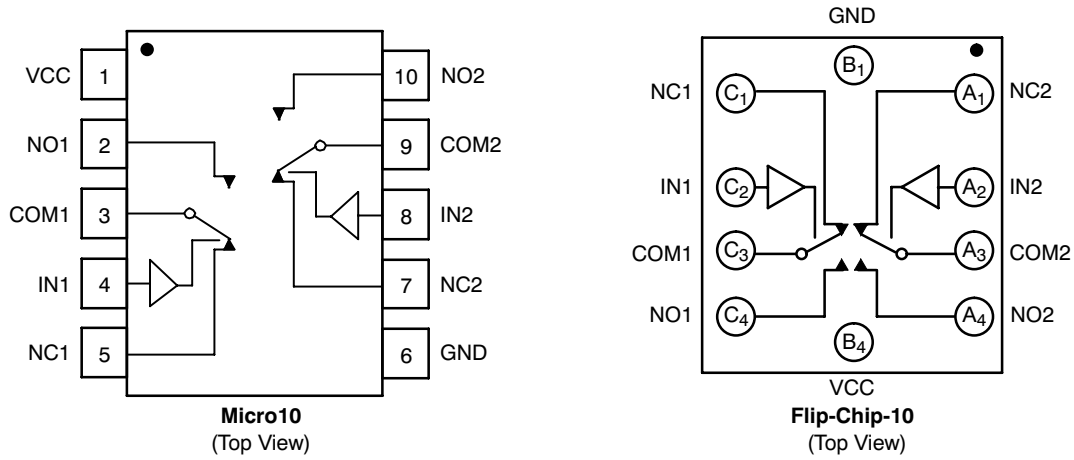


Figure 1. Device Circuit Diagrams and Pin Configurations

MAXIMUM RATINGS

| Symbol | Parameter | Value | Unit |
|-----------------|------------------------------------------------------------------------------------------|------------------------------------------------|------|
| V+ | Positive DC Supply Voltage | -0.5 to +7.0 | V |
| V _{IS} | Analog Input Voltage (V _{NO} , V _{NC} , or V _{COM}) (Note 1) | -0.5 ≤ V _{IS} ≤ V _{CC} + 0.5 | V |
| V _{IN} | Digital Select Input Voltage | -0.5 ≤ V _I ≤ +7.0 | V |
| I _{IK} | DC Current, Into or Out of Any Pin (Continuous) | ± 100 | mA |
| I _{PK} | Peak Current (10% Duty Cycle) | ± 200 | mA |

Stresses exceeding Maximum Ratings may damage the device. Maximum Ratings are stress ratings only. Functional operation above the Recommended Operating Conditions is not implied. Extended exposure to stresses above the Recommended Operating Conditions may affect device reliability.

- Signal voltage on NC, NO, and COM exceeding VCC or GND are clamped by the internal diodes. Limit forward diode current to maximum current rating.

RECOMMENDED OPERATING CONDITIONS

| Symbol | Parameter | Min | Max | Unit |
|---------------------------------|------------------------------------|---------------------------------|-----------------|------|
| V+ | DC Supply Voltage | 1.8 | 5.5 | V |
| V _{IN} | Digital Select Input Voltage | GND | 5.5 | V |
| V _{IS} | Analog Input Voltage (NC, NO, COM) | GND | V _{CC} | V |
| T _A | Operating Temperature Range | -40 | +85 | °C |
| t _r , t _f | Input Rise or Fall Time, SELECT | 0 | 100 | ns/V |
| | | V _{CC} = 3.3 V ± 0.3 V | 20 | |
| | | V _{CC} = 5.0 V ± 0.5 V | | |

ANALOG SWITCH DC CHARACTERISTICS

| Symbol | Parameter | Condition | V _{CC} (V) | -40 °C to +85 °C | | Unit |
|-----------------|--------------------------|-------------------------------------------------------------------------|-----------------------------------------|--------------------------------------------------------|-------------------------------------------------------|------|
| | | | | Min | Max | |
| V _{IH} | Input Logic High Voltage | V _{OUT} = 0.1 V I _{OUT} ≤ 20 μA | 1.65 to 2.2 2.7 to 3.6 4.5 to 5.5 | V _{CC} × 0.55 V _{CC} × 0.5 2.0 | - - - | V |
| V _{IL} | Input Logic Low Voltage | V _{OUT} = -V _{CC} - 0.1 V I _{OUT} ≤ 20 μA | 1.65 to 2.2 2.7 to 3.6 4.5 to 5.5 | - - - | V _{CC} × 0.2 V _{CC} × 0.2 0.8 | V |
| I _{IN} | Input Leakage Current | V _{IN} = V _{CC} or GND | 5.0 | -100 | +100 | nA |
| V _{CC} | Power Supply Range | All | - | 1.65 | 5.5 | V |
| I _{CC} | Supply Current | V _{IN} = V _{CC} or GND I _{OUT} = 0 μA | 1.8 3.3 5.0 | - - - | 1.0 1.0 1.0 | μA |
| V _{IS} | Analog Signal Range | Key parameter | - | 0 | V _{CC} | V |

NLAS4717

ANALOG SWITCH CHARACTERISTICS - Digital Section (Voltages Referenced to GND)

| Symbol | Parameter | Condition | V _{CC} (V) | -40 °C to +85°C | | | Unit |
|------------------------------------------------|-----------------------------------------------------------|--------------------------------------------------------------------------------------------------------------------------------|---------------------|-----------------|------|------|------|
| | | | | Min | Typ | Max | |
| R _{ON} | ON Resistance (Note 2) | V _{CC} = 3.0 V I _{COM} = 10 mA V _{NO} or V _{NC} = V _{IH} or V _{IL} | 3.0 | - | | 4.5 | Ω |
| | | V _{CC} = 5.0 V I _{COM} = 10 mA V _{NO} or V _{NC} = V _{IH} or V _{IL} | 5.0 | - | | 3.5 | |
| ΔR _{ON} | ON Resistance Match Between Channels (Note 2 and 3) | V _{CC} = 3.6 V I _{COM} = 10 mA V _{NO} or V _{NC} = V _{IH} or V _{IL} | 3.6 | - | 0.1 | 0.4 | Ω |
| | | V _{CC} = 5.5 V I _{COM} = 10 mA V _{NO} or V _{NC} = V _{IH} or V _{IL} | 5.5 | | | | |
| R _{FLAT[ON]} | ON Resistance Flatness (Note 4) | I _{COM} = 10 mA V _{IS} = 0 to V _{CC} | 3.0 | - | | 1.5 | Ω |
| | | I _{COM} = 10 mA V _{IS} = 0 to V _{CC} | 5.5 | - | | 1.36 | |
| I _{NO_[OFF]} I _{NC_[OFF]} | NO_, NC_ Off-Leakage Current (Note 5) | V _{CC} = 3.6 V V _{COM} = 0.3 V or 3.3 V V _{NO} or V _{NC} = 0.3 V or 3.3 V | 3.6 | -1.0 | 0.01 | +1.0 | nA |
| | | V _{CC} = 5.5 V V _{COM} = 0 V or 5.0 V V _{NO} or V _{NC} = 0 V or 5.0 V | 5.5 | -1.0 | 0.01 | +1.0 | |
| I _{COM_[ON]} | COM_ On-Leakage Current (Note 5) | V _{CC} = 3.6 V V _{COM} = 0.3 V or 3.3 V V _{NO} or V _{NC} = 0.3 V or 3.3 V | 3.6 | -2.0 | 0.01 | +2.0 | nA |
| | | V _{CC} = 5.5 V V _{COM} = 0 V or 5.0 V V _{NO} or V _{NC} = 0 V or 5.0 V | 5.5 | -2.0 | 0.01 | +2.0 | |

ANALOG SWITCH AC CHARACTERISTICS

| Symbol | Parameter | Condition | V _{CC} (V) | -40 °C to +85°C | | | Unit |
|-------------------|---------------------------------------------|---------------------------------------------------------------------------------------------------------------------------------------------------------------------------------------|---------------------|-----------------|------|-----|------|
| | | | | Min | Typ | Max | |
| t _{ON} | Turn-On Time | V _{NC_} , V _{NO_} = V _{IH} or V _{IL} R _L = 300 Ω, C _L = 35 pF V _{IN[x]} = V _{IH} or V _{IL} | 1.8 to 5.5 | - | - | 30 | nS |
| t _{OFF} | Turn-Off Time | V _{NC_} , V _{NO_} = V _{IH} or V _{IL} R _L = 300 Ω, C _L = 35 pF V _{IN[x]} = V _{IH} or V _{IL} | 1.8 to 5.5 | - | - | 40 | nS |
| t _{BBM} | Break-Before-Make Time Delay (Note 5) | V _{NC_} , V _{NO_} = 1.5 V R _L = 300 Ω, C _L = 35 pF | - | - | 8.0 | - | nS |
| t _{SKEW} | Skew (Note 5) | R _S = 39 Ω, C _L = 50 pF | - | - | 0.15 | 2.0 | nS |

2. R_{ON} characterized for V_{CC} range (1.65 V to 5.5 V).

3. ΔR_{ON} = R_{ON}(MAX) - R_{ON}(MIN).

4. R_{FLAT[ON]} = R_{ON}(MAX) - R_{ON}(MIN), measured over V_{CC} range.

5. Guaranteed by design.

NLAS4717

ANALOG SWITCH APPLICATION CHARACTERISTICS

| Symbol | Parameter | Condition | V _{CC} (V) | -40 °C to +85°C | | | Unit |
|------------------------------------------------|---------------------------------|--------------------------------------------------------------------------------------------------------------------------------------|---------------------|-----------------|------------|-----|------|
| | | | | Min | Typ | Max | |
| Q | Charge Injection | V _{IN} = V _{CC} to GND R _{IN} = 0 Ω, C _L = 1.0 nF Q = C _L · ΔV _{OUT} | 3.0 5.0 | | 6.0 9.0 | | pC |
| VISO | Off-Isolation | f = 10 MHz V _{NO_} , V _{NC_} = 1.0 Vp-p R _L = 50 Ω, C _L = 5.0 pF | 1.65 to 5.5 | | -50 | | dB |
| | | f = 1.0 MHz V _{NO_} , V _{NC_} = 1.0 Vp-p R _L = 50 Ω, C _L = 5.0 pF | | | -75 | | |
| VCT | Cross-Talk | f = 10 MHz V _{NO_} , V _{NC_} = 1.0 Vp-p R _L = 50 Ω, C _L = 5.0 pF | 1.65 to 5.5 | | -80 | | dB |
| | | f = 1.0 MHz V _{NO_} , V _{NC_} = 1.0 Vp-p R _L = 50 Ω, C _L = 5.0 pF | | | -110 | | |
| BW | On-Channel -3.0 db Bandwidth | Signal = 0 dB R _L = 50 Ω, C _L = 5.0 pF | 1.8 to 5.0 | | 40 | | MHz |
| THD | Total Harmonic Distortion | V _{COM} = 2.0 Vp-p, R _L = 600 Ω, T _A = 25°C | - | | 0.02 | | % |
| C _{NO_[OFF]} C _{NC_[OFF]} | NO_, NC_ OFF-Capacitance | F = 10 MHz | - | | 30 | | pF |
| C _{NO_[ON]} C _{NC_[ON]} | NO_, NC_ ON-Capacitance | F = 10 MHz | - | | 110 | | pF |

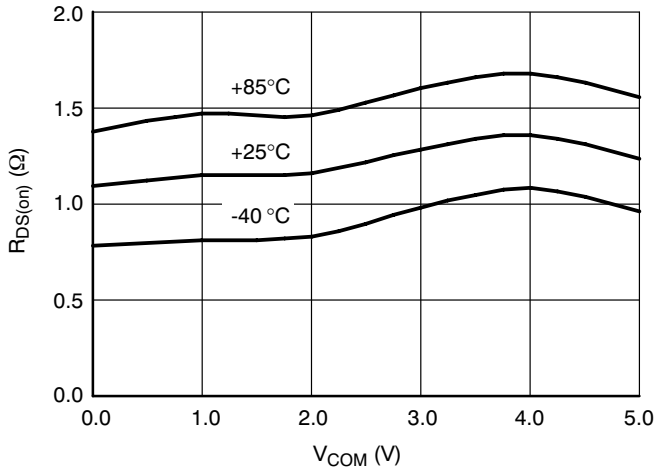


Figure 2. Low $R_{DS(on)}$ @ $V_{CC} = 5.0$ V

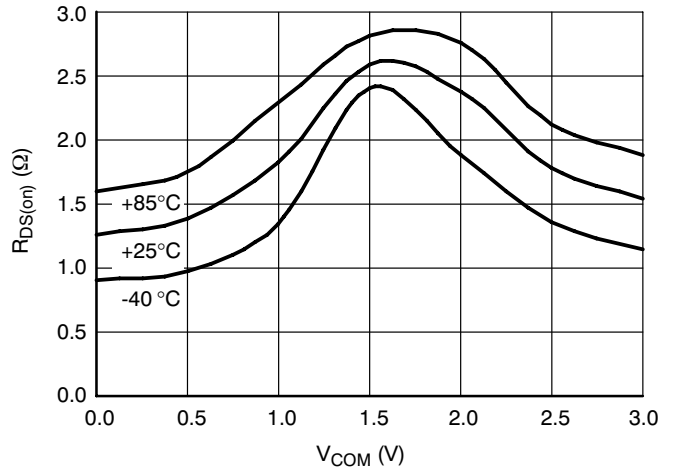


Figure 3. Low $R_{DS(on)}$ @ $V_{CC} = 3.0$ V

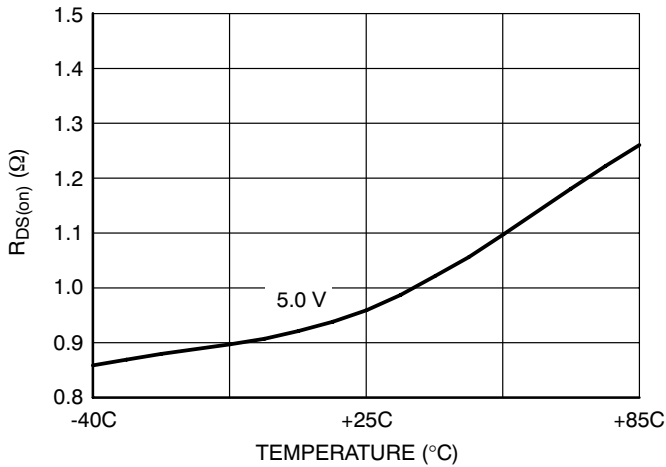


Figure 4. Delta $R_{DS(on)}$ @ $V_{CC} = 5.0$ V

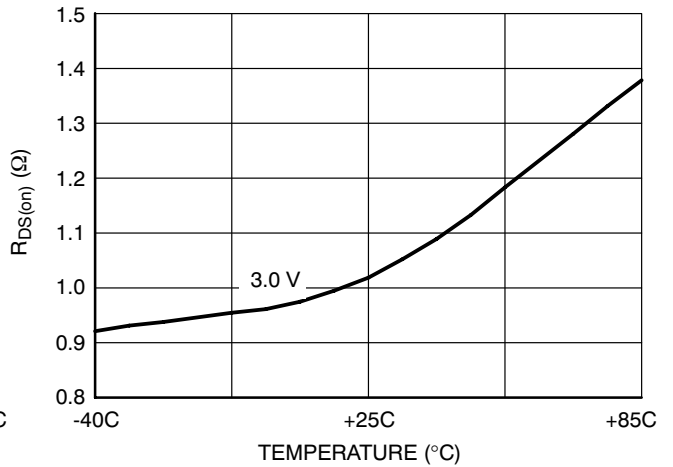


Figure 5. Delta $R_{DS(on)}$ @ $V_{CC} = 3.0$ V

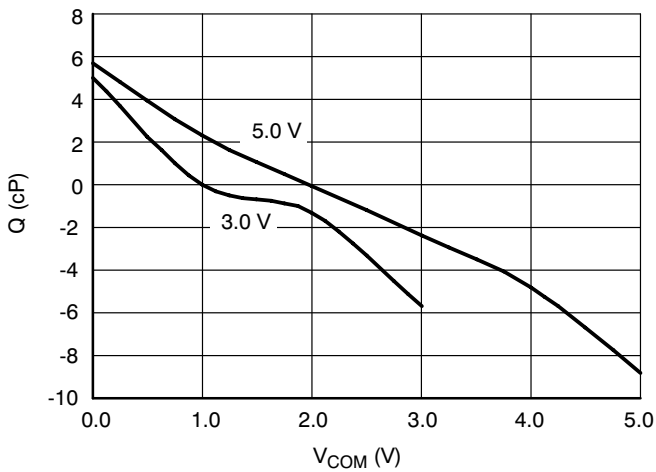


Figure 6. Charge Injection

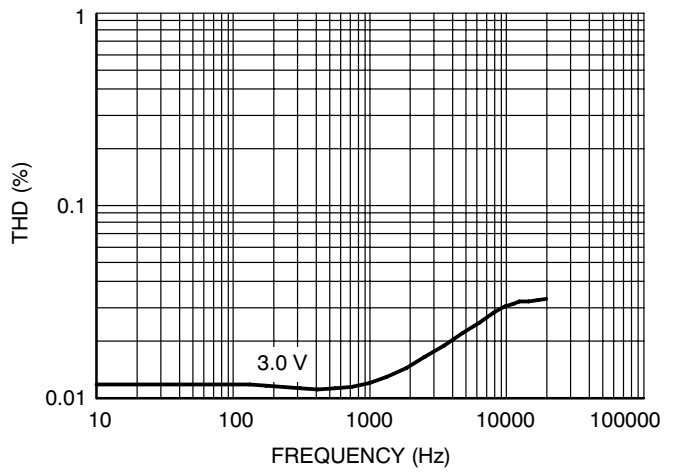


Figure 7. Total Harmonic Distortion

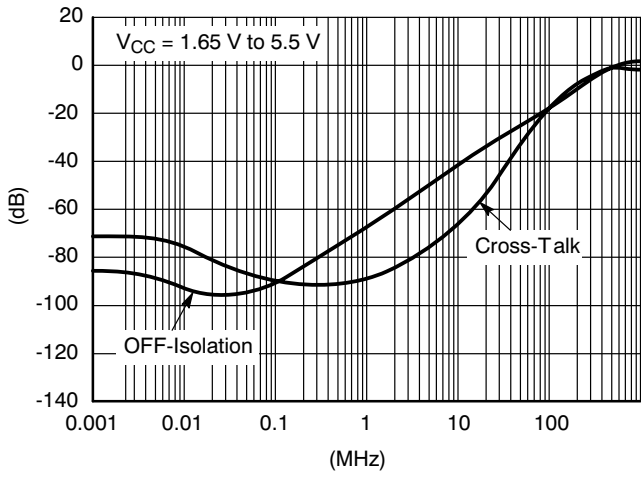


Figure 8. Frequency Response

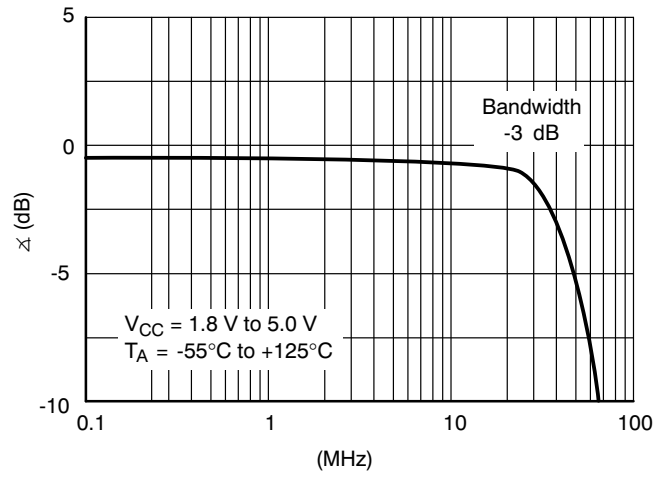


Figure 9. Bandwidth and Phase

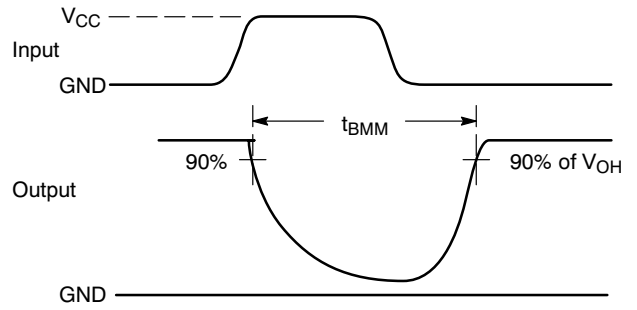
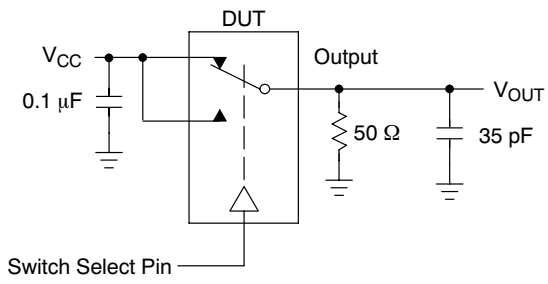


Figure 10. t_{BMM} (Time Break-Before-Make)

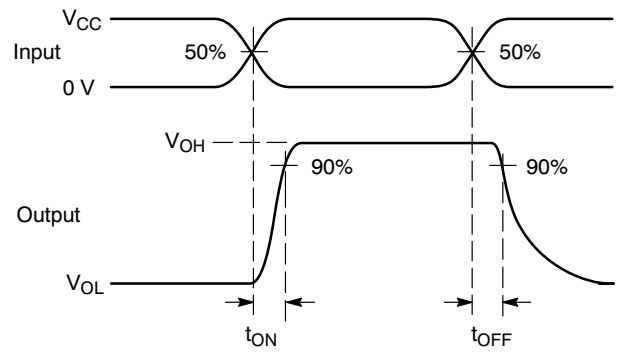
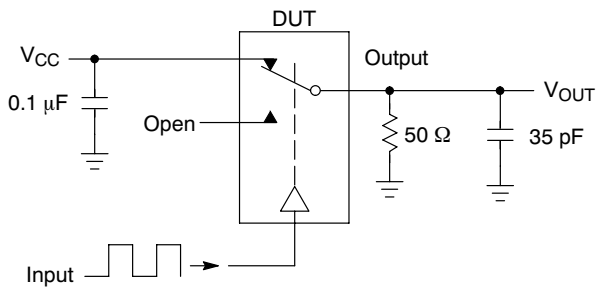


Figure 11. t_{ON}/t_{OFF}

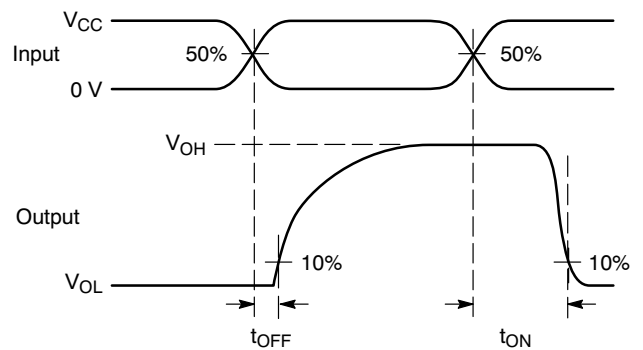
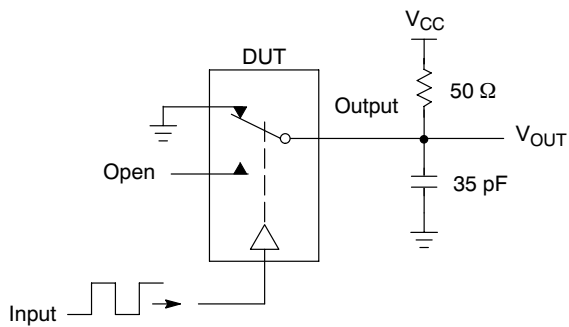
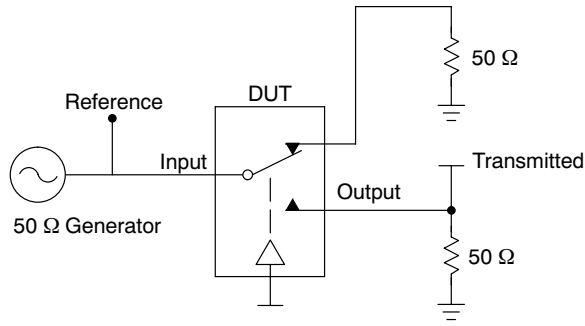


Figure 12. t_{ON}/t_{OFF}

NLAS4717



Channel switch control/s test socket is normalized. Off isolation is measured across an off channel. On loss is the bandwidth of an On switch. V_{ISO} , Bandwidth and V_{ONL} are independent of the input signal direction.

$$V_{ISO} = \text{Off Channel Isolation} = 20 \text{ Log} \left(\frac{V_{OUT}}{V_{IN}} \right) \text{ for } V_{IN} \text{ at } 100 \text{ kHz}$$

$$V_{ONL} = \text{On Channel Loss} = 20 \text{ Log} \left(\frac{V_{OUT}}{V_{IN}} \right) \text{ for } V_{IN} \text{ at } 100 \text{ kHz to } 50 \text{ MHz}$$

Bandwidth (BW) = the frequency 3.0 dB below V_{ONL}

V_{CT} = Use V_{ISO} setup and test to all other switch analog input/outputs terminated with 50 Ω

Figure 13. Off Channel Isolation/On Channel Loss (BW)/Crosstalk (On Channel to Off Channel)/ V_{ONL}

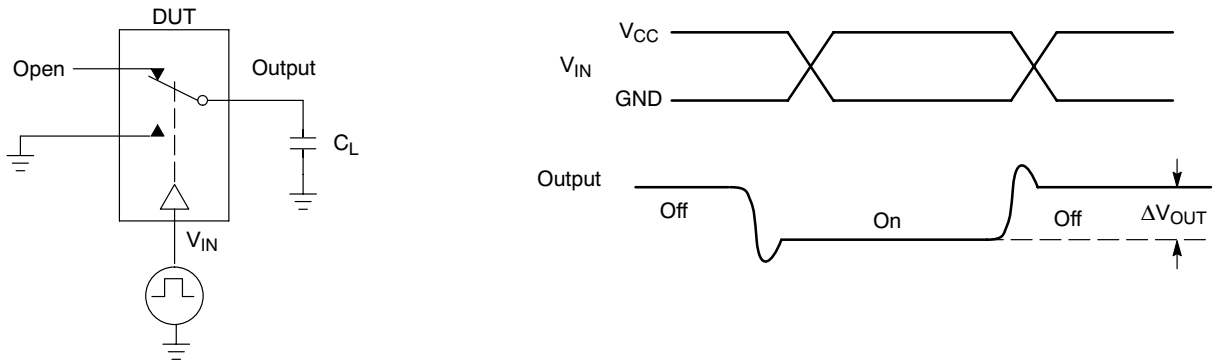
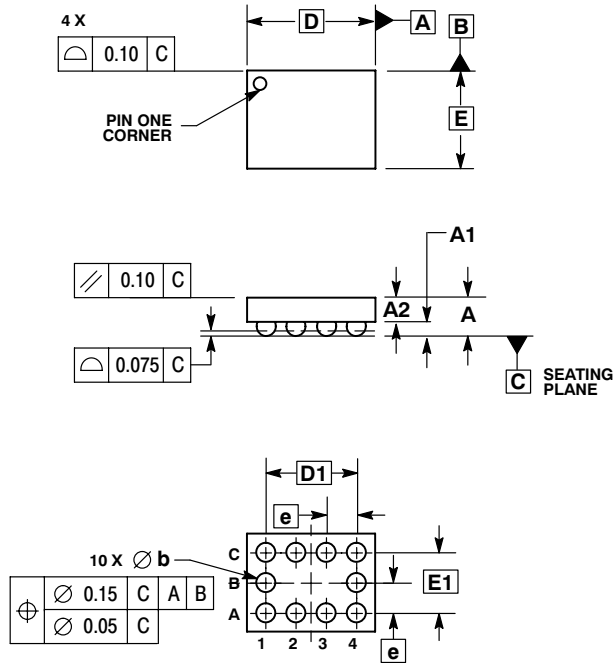


Figure 14. Charge Injection: (Q)

NLAS4717

PACKAGE DIMENSIONS

10 PIN FLIP-CHIP CASE 489AA-01 ISSUE A



NOTES:

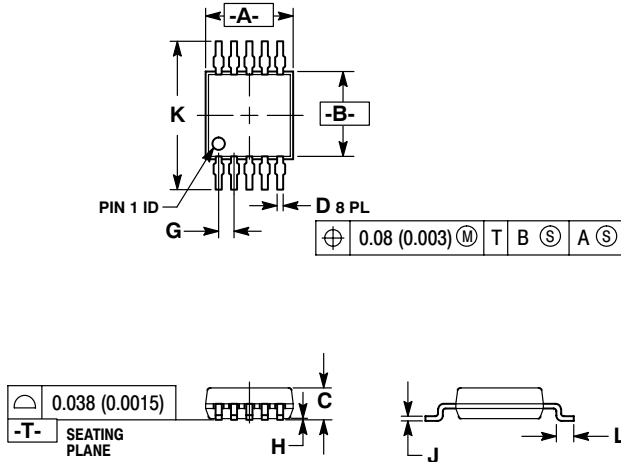
1. DIMENSIONING AND TOLERANCING PER ASME Y14.5M, 1994.
2. CONTROLLING DIMENSION: MILLIMETERS.
3. COPLANARITY APPLIES TO SPHERICAL CROWNS OF SOLDER BALLS.

| DIM | MILLIMETERS | |
|-----------|-------------|-------|
| | MIN | MAX |
| A | --- | 0.650 |
| A1 | 0.210 | 0.270 |
| A2 | 0.280 | 0.380 |
| D | 1.965 BSC | |
| E | 1.465 BSC | |
| b | 0.250 | 0.350 |
| e | 0.500 BSC | |
| D1 | 1.500 BSC | |
| E1 | 1.000 BSC | |

NLAS4717

PACKAGE DIMENSIONS

Micro10
CASE 846B-03
ISSUE D

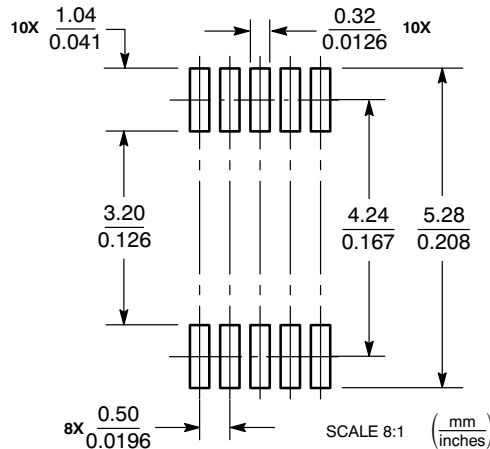


NOTES:

1. DIMENSIONING AND TOLERANCING PER ANSI Y14.5M, 1982.
2. CONTROLLING DIMENSION: MILLIMETER.
3. DIMENSION "A" DOES NOT INCLUDE MOLD FLASH, PROTRUSIONS OR GATE BURRS. MOLD FLASH, PROTRUSIONS OR GATE BURRS SHALL NOT EXCEED 0.15 (0.006) PER SIDE.
4. DIMENSION "B" DOES NOT INCLUDE INTERLEAD FLASH OR PROTRUSION. INTERLEAD FLASH OR PROTRUSION SHALL NOT EXCEED 0.25 (0.010) PER SIDE.
5. 846B-01 OBSOLETE. NEW STANDARD 846B-02

| DIM | MILLIMETERS | | INCHES | |
|-----|-------------|------|-----------|-------|
| | MIN | MAX | MIN | MAX |
| A | 2.90 | 3.10 | 0.114 | 0.122 |
| B | 2.90 | 3.10 | 0.114 | 0.122 |
| C | 0.95 | 1.10 | 0.037 | 0.043 |
| D | 0.20 | 0.30 | 0.008 | 0.012 |
| G | 0.50 BSC | | 0.020 BSC | |
| H | 0.05 | 0.15 | 0.002 | 0.006 |
| J | 0.10 | 0.21 | 0.004 | 0.008 |
| K | 4.75 | 5.05 | 0.187 | 0.199 |
| L | 0.40 | 0.70 | 0.016 | 0.028 |

SOLDERING FOOTPRINT*



*For additional information on our Pb-Free strategy and soldering details, please download the ON Semiconductor Soldering and Mounting Techniques Reference Manual, SOLDERRM/D.

ON Semiconductor and are registered trademarks of Semiconductor Components Industries, LLC (SCILLC). SCILLC reserves the right to make changes without further notice to any products herein. SCILLC makes no warranty, representation or guarantee regarding the suitability of its products for any particular purpose, nor does SCILLC assume any liability arising out of the application or use of any product or circuit, and specifically disclaims any and all liability, including without limitation special, consequential or incidental damages. "Typical" parameters which may be provided in SCILLC data sheets and/or specifications can and do vary in different applications and actual performance may vary over time. All operating parameters, including "Typicals" must be validated for each customer application by customer's technical experts. SCILLC does not convey any license under its patent rights nor the rights of others. SCILLC products are not designed, intended, or authorized for use as components in systems intended for surgical implant into the body, or other applications intended to support or sustain life, or for any other application in which the failure of the SCILLC product could create a situation where personal injury or death may occur. Should Buyer purchase or use SCILLC products for any such unintended or unauthorized application, Buyer shall indemnify and hold SCILLC and its officers, employees, subsidiaries, affiliates, and distributors harmless against all claims, costs, damages, and expenses, and reasonable attorney fees arising out of, directly or indirectly, any claim of personal injury or death associated with such unintended or unauthorized use, even if such claim alleges that SCILLC was negligent regarding the design or manufacture of the part. SCILLC is an Equal Opportunity/Affirmative Action Employer. This literature is subject to all applicable copyright laws and is not for resale in any manner.

PUBLICATION ORDERING INFORMATION

LITERATURE FULFILLMENT:
Literature Distribution Center for ON Semiconductor
P.O. Box 5163, Denver, Colorado 80217 USA
Phone: 303-675-2175 or 800-344-3860 Toll Free USA/Canada
Fax: 303-675-2176 or 800-344-3867 Toll Free USA/Canada
Email: orderlit@onsemi.com

N. American Technical Support: 800-282-9855 Toll Free
USA/Canada
Europe, Middle East and Africa Technical Support:
Phone: 421 33 790 2910
Japan Customer Focus Center
Phone: 81-3-5773-3850

ON Semiconductor Website: www.onsemi.com
Order Literature: <http://www.onsemi.com/orderlit>
For additional information, please contact your local Sales Representative



Компания «ЭлектроПласт» предлагает заключение долгосрочных отношений при поставках импортных электронных компонентов на взаимовыгодных условиях!

Наши преимущества:

- Оперативные поставки широкого спектра электронных компонентов отечественного и импортного производства напрямую от производителей и с крупнейших мировых складов;
- Поставка более 17-ти миллионов наименований электронных компонентов;
- Поставка сложных, дефицитных, либо снятых с производства позиций;
- Оперативные сроки поставки под заказ (от 5 рабочих дней);
- Экспресс доставка в любую точку России;
- Техническая поддержка проекта, помощь в подборе аналогов, поставка прототипов;
- Система менеджмента качества сертифицирована по Международному стандарту ISO 9001;
- Лицензия ФСБ на осуществление работ с использованием сведений, составляющих государственную тайну;
- Поставка специализированных компонентов (Xilinx, Altera, Analog Devices, Intersil, Interpoint, Microsemi, Aeroflex, Peregrine, Syfer, Eurofarad, Texas Instrument, Miteq, Cobham, E2V, MA-COM, Hittite, Mini-Circuits, General Dynamics и др.);

Помимо этого, одним из направлений компании «ЭлектроПласт» является направление «Источники питания». Мы предлагаем Вам помощь Конструкторского отдела:

- Подбор оптимального решения, техническое обоснование при выборе компонента;
- Подбор аналогов;
- Консультации по применению компонента;
- Поставка образцов и прототипов;
- Техническая поддержка проекта;
- Защита от снятия компонента с производства.



Как с нами связаться

Телефон: 8 (812) 309 58 32 (многоканальный)

Факс: 8 (812) 320-02-42

Электронная почта: org@eplast1.ru

Адрес: 198099, г. Санкт-Петербург, ул. Калинина, дом 2, корпус 4, литера А.