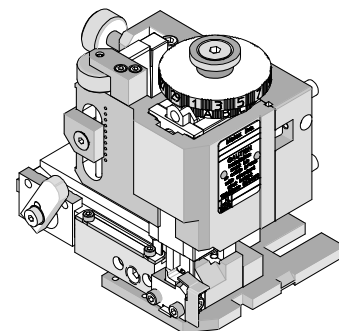




## FineAdjust Applicator Applicator Tooling Specification Sheet Order No. 63900-0900



### FEATURES

- Quick punch removal with the push of a button for fast and easy tooling change
- Applicator designed to industry standard mounting and shut height 135.80mm (5.346")
- Quick set-up time; plus the crimp height, track and feed adjustments can be set without removing the applicator from the press
- Fine adjustment allows users to achieve target with little effort by adjusting in increments of .015mm (.0006") for conductor crimp height and .063mm (.0025") for insulation height
- Independent adjustment rings allow users to quickly adjust the conductor or insulation crimp height without affecting each other
- Directly adapts to most automatic wire processing machines

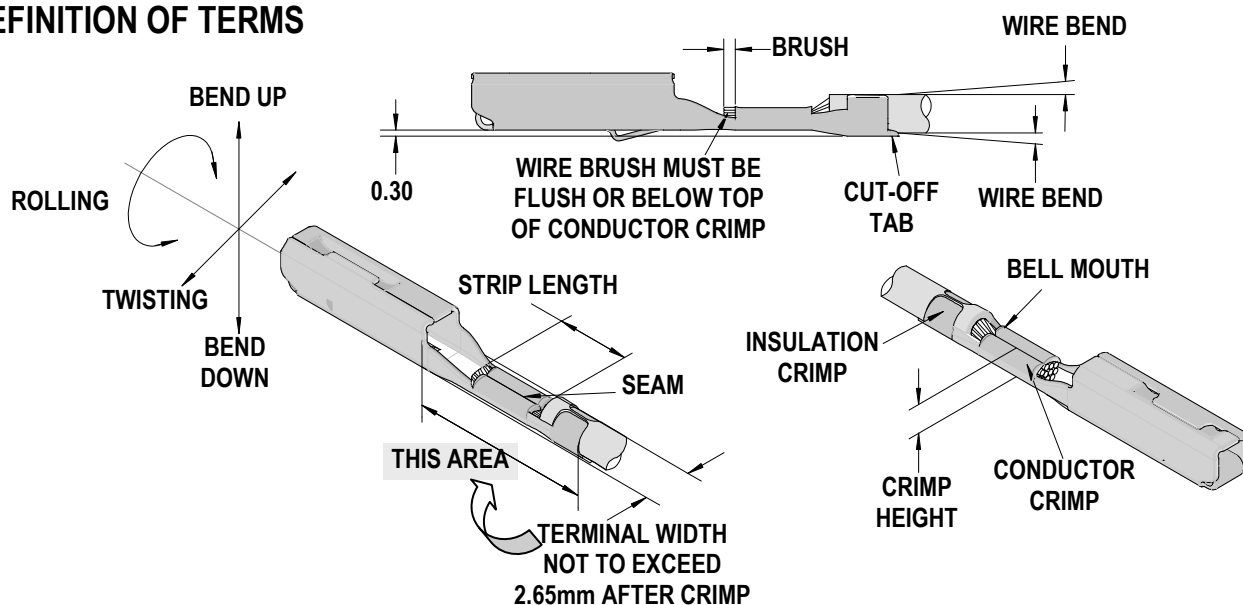
### SCOPE

Products: MX150™ Receptacle Terminals 0.75 metric and 20 AWG.

Terminal Series No.	Terminal Order No.		Wire Size		Insulation Diameter		Strip Length	
			AWG	mm <sup>2</sup>	mm	In.	mm	In.
33001	33001-3004	33001-3022	20	0.58	1.70-1.85	.067-.073	4.70-5.60	.185-.220
	33001-5002	33001-5022	Metric Only	0.75	1.70-1.90	.067-.075	4.70-5.60	.185-.220
33012	33012-3002	33012-3022	20	0.58	1.70-1.85	.067-.073	4.70-5.60	.185-.220
			Metric Only	0.75	1.70-1.90	.067-.075	4.70-5.60	.185-.220
34750	34750-1002		20	0.58	1.70-1.85	.067-.073	4.70-5.60	.185-.220
			Metric Only	0.75	1.70-1.90	.067-.075	4.70-5.60	.185-.220

Terminals were validated per USCAR-21 using the following wire specifications:  
M1L-123A (TXL), M1L-135A1 (UTX), and M1L-126A1 (metric-TXL).  
Customers are required to complete validation testing if tooling purchased outside  
Molex Inc. and/or wire specifications are different than above.

### DEFINITION OF TERMS



### CRIMP SPECIFICATION

Terminal Series No.	Bell mouth		◆ Cut-off Tab Maximum		Conductor Brush	
	mm	In.	mm	In.	mm	In.
33001	0.25-1.25	.010-.049	0.50	.020	0.15-0.40	.006-.016
33012	0.25-1.25	.010-.049	0.50	.020	0.15-0.40	.006-.016
34750	0.25-1.25	.010-.049	0.50	.020	0.15-0.40	.006-.016

◆ Wire brush must be flush or below top of Conductor Crimp.

Terminal Series No.	Bend up	Bend down	Twist Roll	Punch Width (Ref)				Seam Seam shall not be open and no wire allowed out of the crimping area
				Conductor		Insulation		
	Degree		Degree		mm	In	mm	
33001	3	3	3	2.10	.083	2.06	.081	
33012	3	3	3	2.10	.083	2.06	.081	
34750	3	3	3	2.10	.083	2.06	.081	

After crimping, the crimp profiles should measure the following:

Terminal Series No.	Wire Size		Conductor				Insulation				Pull Force Minimum	
			Crimp Height		Crimp Width		Crimp Height		Crimp Width			
	AWG	mm <sup>2</sup>	mm	In.	mm	In.	mm	In.	mm	In.	N	Lb.
33001	20	0.58	1.10-1.20	.043-.047	2.05-2.25	.081-.089	1.80-2.00	.071-.079	2.00-2.20	.079-.087	75	17.0
	Metric Only	0.75	1.20-1.30	.047-.051	2.05-2.25	.081-.089	1.85-2.05	.073-.081	2.00-2.20	.079-.087	90	20.2
33012	20	0.58	1.10-1.20	.043-.047	2.05-2.25	.081-.089	1.80-2.00	.071-.079	2.00-2.20	.079-.087	75	17.0
	Metric Only	0.75	1.20-1.30	.047-.051	2.05-2.25	.081-.089	1.85-2.05	.073-.081	2.00-2.20	.079-.087	90	20.2
34750	20	0.58	1.10-1.20	.043-.047	2.05-2.25	.081-.089	1.80-2.00	.071-.079	2.00-2.20	.079-.087	75	17.0
	Metric Only	0.75	1.20-1.30	.047-.051	2.05-2.25	.081-.089	1.85-2.05	.073-.081	2.00-2.20	.079-.087	90	20.2

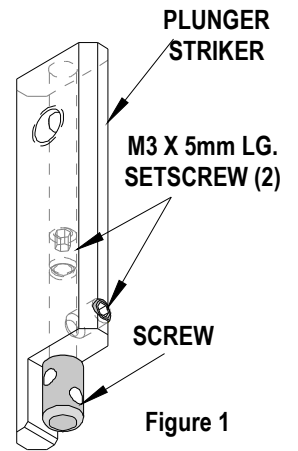
**T** Tool Qualification Notes:

1. Pull Force should be measured with no influence from the insulation crimp.
2. The above specifications are guidelines to an optimum crimp.

**Adjusting the Wire Bend Angle** (See Item11 in parts list and assembly drawing.)

**Note:** If the Wire Bend is present after crimping use the following method to remove the bend. This tooling may not be necessary for all wire gauges.

1. The screw is provided for wire straightening. See Figure 1.
2. Loosen the (2) M3 x 5mm long setscrews; see Figure 1, before turning the screw.
3. Start by adjusting the screw so it just touches the insulation outside diameter of the wire being crimped. If wire Bend Up exists, turn the screw a quarter turn clockwise (CW) to lengthen it.
4. Continue to adjust the length of the screw until the wire appears to be straight after crimping. If wire Bend Down exists, turn the screw a quarter turn counter clockwise (CCW) to shorten it. Continue to adjust the length of the screw until the wire appears to be straight after crimping.
5. Tighten the M3 x 5mm long setscrews, when finished adjusting the screw. Two M3 x 5mm long setscrews are provided; the top setscrew is to lock the screw after adjustments. The M3 x 5mm long setscrew on the side of plunger striker is used when making adjustments.



**Adjusting the Wire Brush Length** (See Item13 in parts list and assembly drawing.)

1. If the wire brush is too long or extends above the top of the conductor crimp, adjust the Wire Stop, Item 13, closer to the conductor punch.
2. If the wire brush is too short, adjust the Wire Stop further away from the conductor punch.

**PARTS LIST**

FineAdjust Applicator 63900-0900				
Item	Order No	Engineering No.	Description	Quantity
<b>Perishable Tooling</b>				
	63900-0970	63900-0970	Tool Kit (All "Y" Items)	REF
1	63444-2137	63444-2137	Conductor Punch	1 Y
2	63455-0094	63455-0094	Conductor Anvil	1 Y
3	63454-0049	63454-0049	Insulation Punch	1 Y
4	63456-0044	63456-0044	Insulation Anvil	1 Y
5	63443-0037	63443-0037	Cut-Off Plunger	1 Y
6	63443-0038	63443-0038	Front Plunger Retainer	1 Y
<b>Other Components</b>				
7	11-17-0022	1739-21	Hold Down Spring	1
8	11-18-4094	60709A111	Feed Guide	1
9	63443-0009	63443-0009	Scrap Chute	1
10	63443-0024	63443-0024	Key	1
11	63443-0082	63443-0082	Front Plunger Striker	1
12	63443-0083	63443-0083	Striker Screw	1
13	63443-0090	63443-0090	Wire Stop	1
14	63443-0093	63443-0093	Shank	1
15	63443-1717	63443-1717	18.70mm Height Spacer	1
16	63443-2206	63443-2206	6.00mm Coarse Spacer	1
17	63443-2208	63443-2208	8.00mm Coarse Spacer	1
18	63443-2306	63443-2306	3.30mm Fine Spacer	1
19	63443-6122	63443-6122	Rear Cover	1
20	63443-7101	63443-7101	Terminal Hold Down	1
21	63700-0539	63700-0539	Cut-off Plunger Spring	1
22	63868-2008	63868-2008	★ Checking Aid	REF
<b>Frame</b>				
23	63800-4901	63800-4901	Top	1
24	63801-3281	63801-3281	Base	1
25	63801-4650	63801-4650	Track	1
25A	63459-0001	63459-0001	Terminal Track	1
<b>Hardware</b>				
26	N/A	N/A	M3 by 5Lg. SHSS-Brass Tip	2**
27	N/A	N/A	M3 by 6 Long SHCS	2**
28	N/A	N/A	M3 by 6 Long FHCS	1**
29	N/A	N/A	M3 by 8 Long SHCS	1**
30	N/A	N/A	M4 by 6 Long SHCS	2**
31	N/A	N/A	M4 by 12 Long BHCS	2**
32	N/A	N/A	M4 by 50 Long SHCS	2**
33	N/A	N/A	M5 by 12 Long SHCS	1**
34	N/A	N/A	#10-32 by 3/8" Long Flat Point SSS	1**
35	N/A	N/A	#10-32 Hex Jam Nut	1**

\*\* Available from an industrial supply company such as MSC (1-800-645-7270).

★ The Crimped Terminal Checking Aid 63868-2008 to be ordered separately if required.  
 (This item is not included with the Applicator and is shown for Reference purpose only)



## NOTES

1. Molex recommends an extra perishable tooling kit be maintained at your facility.
2. Verify tooling alignment by manually cycling the press and Applicator before crimping under power. Check that all screws are tight.
3. Slugs, Terminals, Dirt and Oil should be kept clear of work area.
4. Wear safety glasses at all times.
5. For recommended maintenance refer to the FineAdjust Manual.

**CAUTION:** This applicator should only be used in a press with a shut height of 135.80 mm (5.346"). Tooling damage could result at a lower setting.

**CAUTION:** To prevent injury never operate this Applicator without the guards supplied with the press or wire-processing machine in place. Reference the press or wire processing manufacturer's instruction manual.

**CAUTION:** Molex crimp specifications are valid only when used with Molex terminals, applicators and tooling.

**Americas Headquarters**  
Lisle, Illinois 60532 U.S.A.  
1-800-78MOLEX  
amerinfo@molex.com

**Far East North Headquarters**  
Yamato, Kanagawa, Japan  
81-462-65-2324  
feninfo@molex.com

**Far East South Headquarters**  
Jurong, Singapore  
65-6-268-6868  
fesinfo@molex.com

**European Headquarters**  
Munich, Germany  
49-89-413092-0  
eurinfo@molex.com

**Corporate Headquarters**  
2222 Wellington Ct.  
Lisle, IL 60532 U.S.A.  
630-969-4550  
Fax: 630-969-1352

Visit our Web site at <http://www.molex.com>



Компания «ЭлектроПласт» предлагает заключение долгосрочных отношений при поставках импортных электронных компонентов на взаимовыгодных условиях!

Наши преимущества:

- Оперативные поставки широкого спектра электронных компонентов отечественного и импортного производства напрямую от производителей и с крупнейших мировых складов;
- Поставка более 17-ти миллионов наименований электронных компонентов;
- Поставка сложных, дефицитных, либо снятых с производства позиций;
- Оперативные сроки поставки под заказ (от 5 рабочих дней);
- Экспресс доставка в любую точку России;
- Техническая поддержка проекта, помощь в подборе аналогов, поставка прототипов;
- Система менеджмента качества сертифицирована по Международному стандарту ISO 9001;
- Лицензия ФСБ на осуществление работ с использованием сведений, составляющих государственную тайну;
- Поставка специализированных компонентов (Xilinx, Altera, Analog Devices, Intersil, Interpoint, Microsemi, Aeroflex, Peregrine, Syfer, Eurofarad, Texas Instrument, Miteq, Cobham, E2V, MA-COM, Hittite, Mini-Circuits, General Dynamics и др.);

Помимо этого, одним из направлений компании «ЭлектроПласт» является направление «Источники питания». Мы предлагаем Вам помощь Конструкторского отдела:

- Подбор оптимального решения, техническое обоснование при выборе компонента;
- Подбор аналогов;
- Консультации по применению компонента;
- Поставка образцов и прототипов;
- Техническая поддержка проекта;
- Защита от снятия компонента с производства.



#### Как с нами связаться

**Телефон:** 8 (812) 309 58 32 (многоканальный)

**Факс:** 8 (812) 320-02-42

**Электронная почта:** [org@eplast1.ru](mailto:org@eplast1.ru)

**Адрес:** 198099, г. Санкт-Петербург, ул. Калинина, дом 2, корпус 4, литера А.