

AMPHENOL PART NUMBER CONFIGURATION
 UE86-3G2620-X0X61

LIGHT PIPE OPTION

- 0 - NO LIGHT PIPE
- 1 - 4 LP PER 2X1, NORMAL ORIENTATION
- 2 - 2 INNER LP PER 2X1, NORMAL ORIENTATION
- 3 - 2 OUTER LP PER 2X1, NORMAL ORIENTATION
- 4 - 4 LP PER 2X1, REVERSING ORIENTATION
- 5 - 2 INNER LP PER 2X1, REVERSING ORIENTATION
- 6 - 2 OUTER LP PER 2X1, REVERSING ORIENTATION
- 7 - 3 LP PER 2X1, 2 OUTER LP, NORMAL ORIENTATION
- 8 - 3 LP PER 2X1, 2 OUTER LP, REVERSING ORIENTATION

PACKAGING

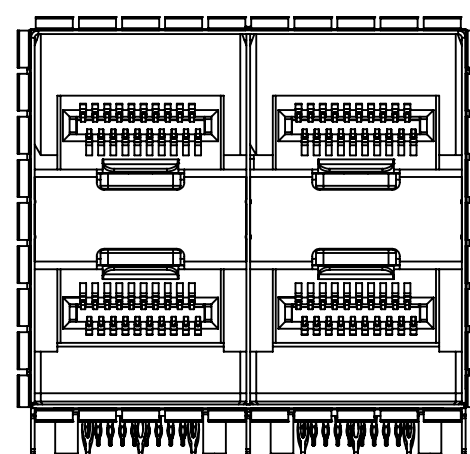
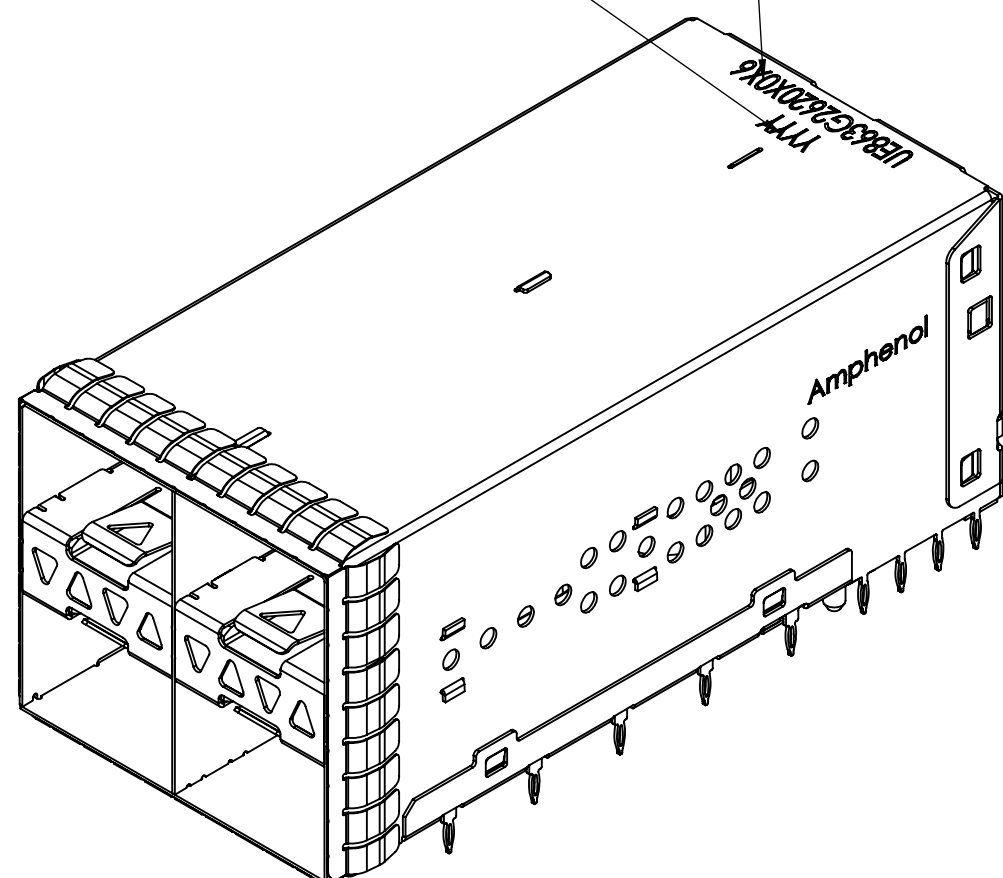
- 1 - TRAY PACKAGING (STACKED)

PLATING OPTIONS FOR CONNECTOR

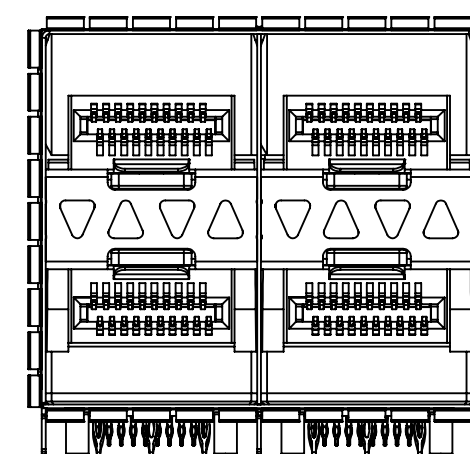
- 2 - 30µ" GOLD PLATING ON MATING AREA
15~100µ" MATTE TIN ON TERMINATION
- 3 - 30µ" GOLD PLATING ON MATING AREA
150~300µ" MATTE TIN ON TERMINATION
- 5 - 15µ" GOLD PLATING ON MATING AREA
15~100µ" MATTE TIN ON TERMINATION
- 6 - 15µ" GOLD PLATING ON MATING AREA
150~300µ" MATTE TIN ON TERMINATION

REVISIONS				
REV.	ECN	DESCRIPTION	DATE	APPROVED
C		UPDATE NOTES	AUG 15/14	J.SI
D		CHANGED PCB THICKNESS	NOV 03/15	J.SI
E		REMOVED DIM. ZONE C2, SHEET 2 OF 4	OCT 31/16	J.SI

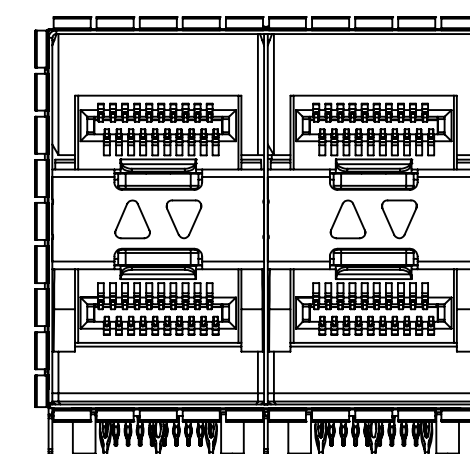
PART NUMBER (LAST DIGIT INDICATING PACKAGING TYPE, NOT PRINTED ON THE PART)
 DATE CODE



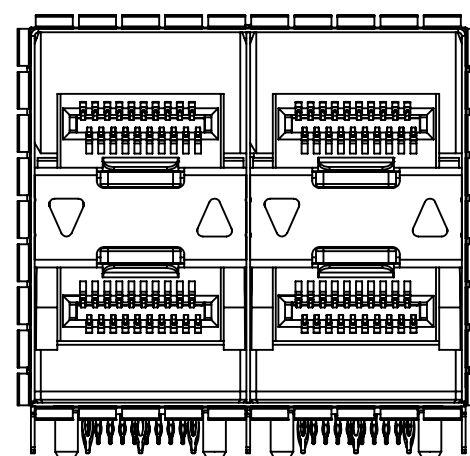
NO LIGHT PIPES
 UE86-3G2620-00X61



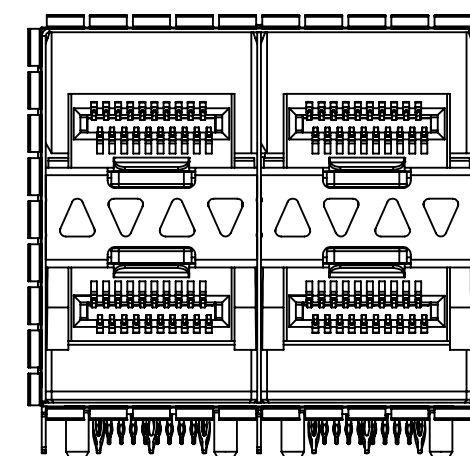
4 LIGHT PIPES
 UE86-3G2620-10X61



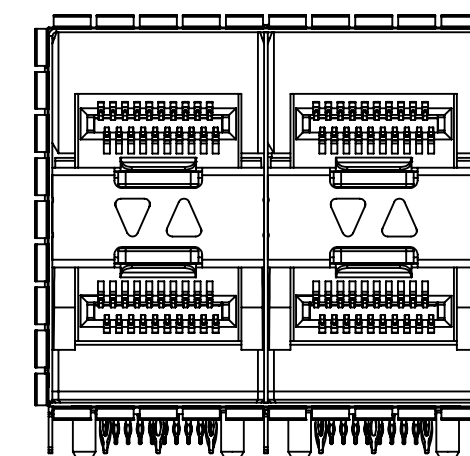
2 INNER LIGHT PIPES
 UE86-3G2620-20X61



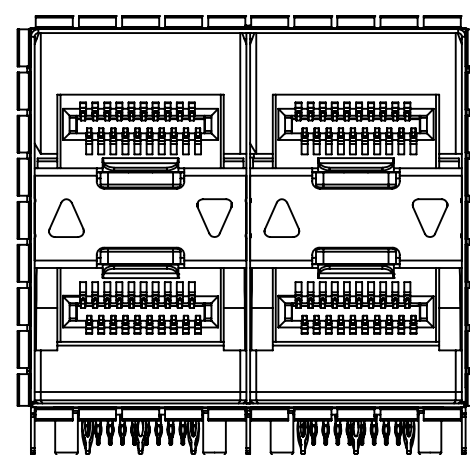
2 OUTER LIGHT PIPES
 UE86-3G2620-30X61



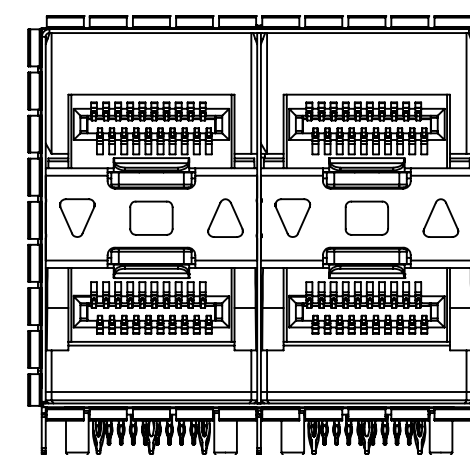
4 LIGHT PIPES UPSIDE DOWN
 UE86-3G2620-40X61



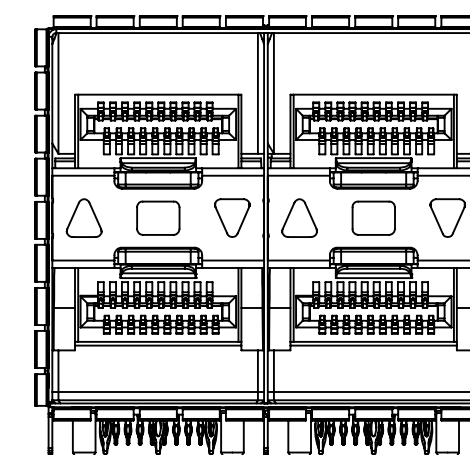
2 INNER LIGHT PIPES UPSIDE DOWN
 UE86-3G2620-50X61



2 OUTER LIGHT PIPES UPSIDE DOWN
 UE86-3G2620-60X61



3 LIGHT PIPES
 UE86-3G2620-70X61



3 LIGHT PIPES UPSIDE DOWN
 UE86-3G2620-80X61

MATERIAL: (RoHS COMPLIANT)

1. CAGE - PRESS FIT: COPPER ALLOY (NICKEL SILVER)
2. CONNECTOR - PRESS FIT:
 -PLASTIC HOUSING: LCP, FLAMMABILITY RATING UL94-V0.
 -CONTACTS: PHOSPHOR BRONZE
3. LIGHT PIPE: CLEAR POLYCARBONATE, FLAMMABILITY RATING UL94-V0.
4. PACKAGING: TRAY PACKAGING.
5. TEMPERATURE RANGE: -40°C TO +85°C



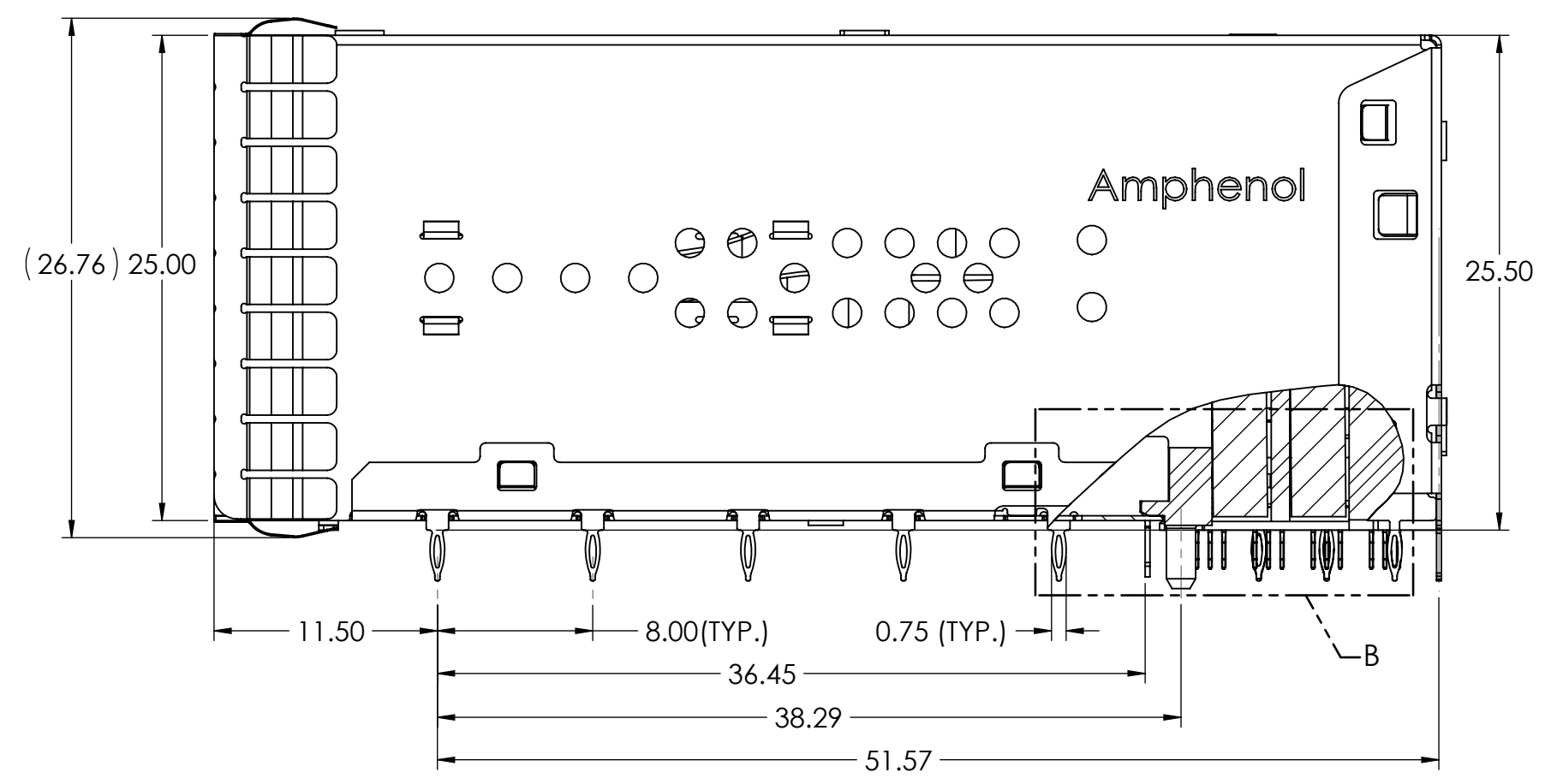
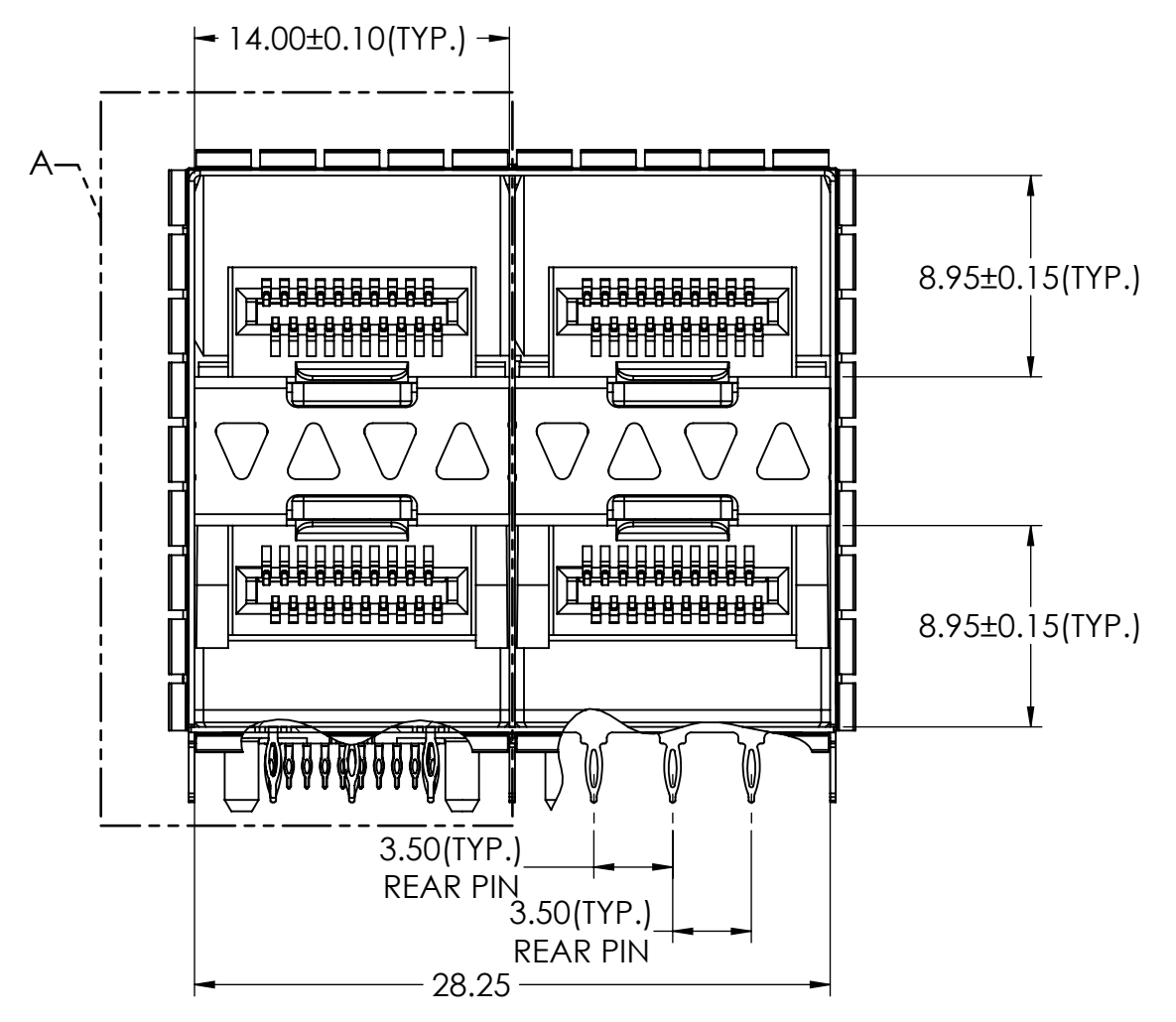
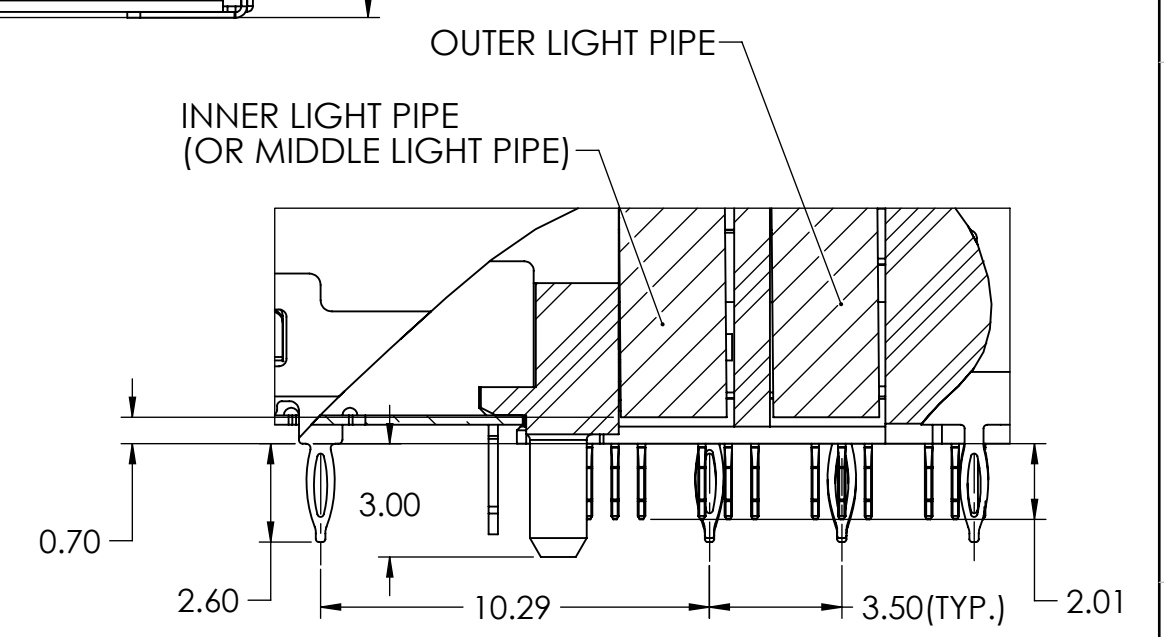
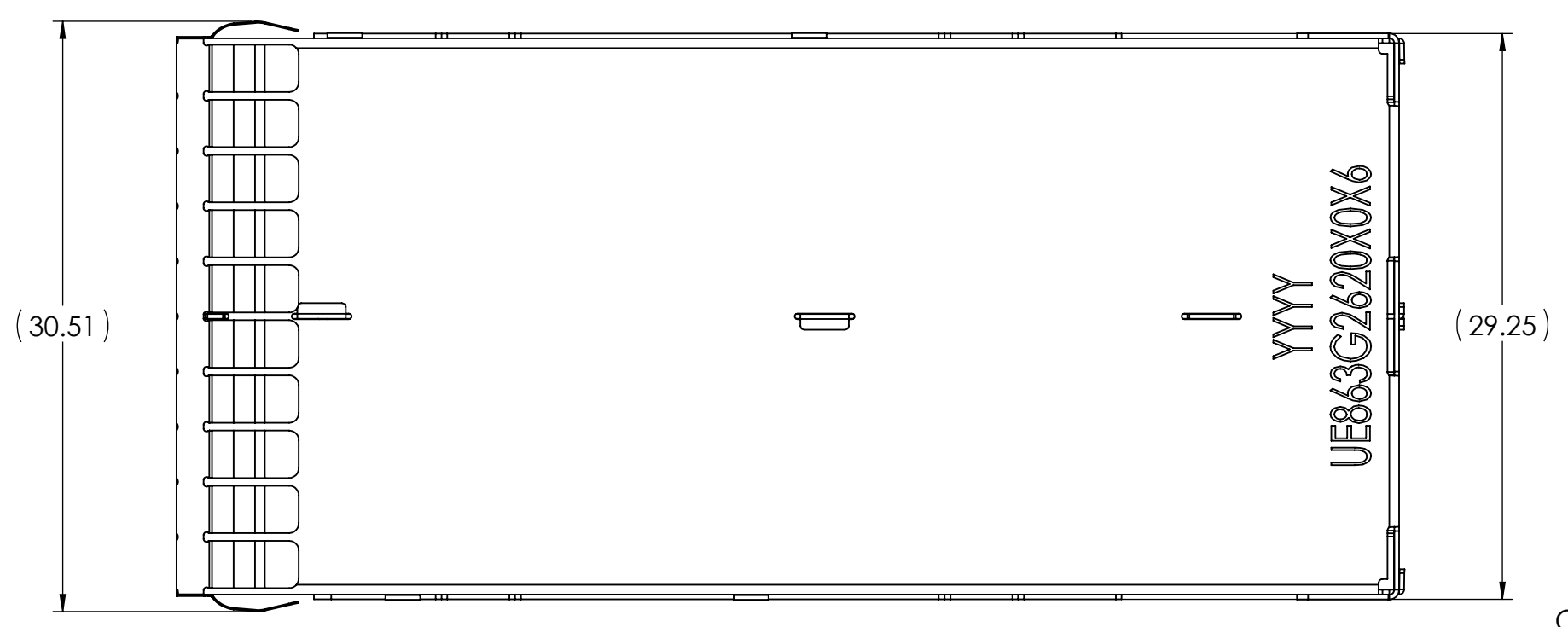
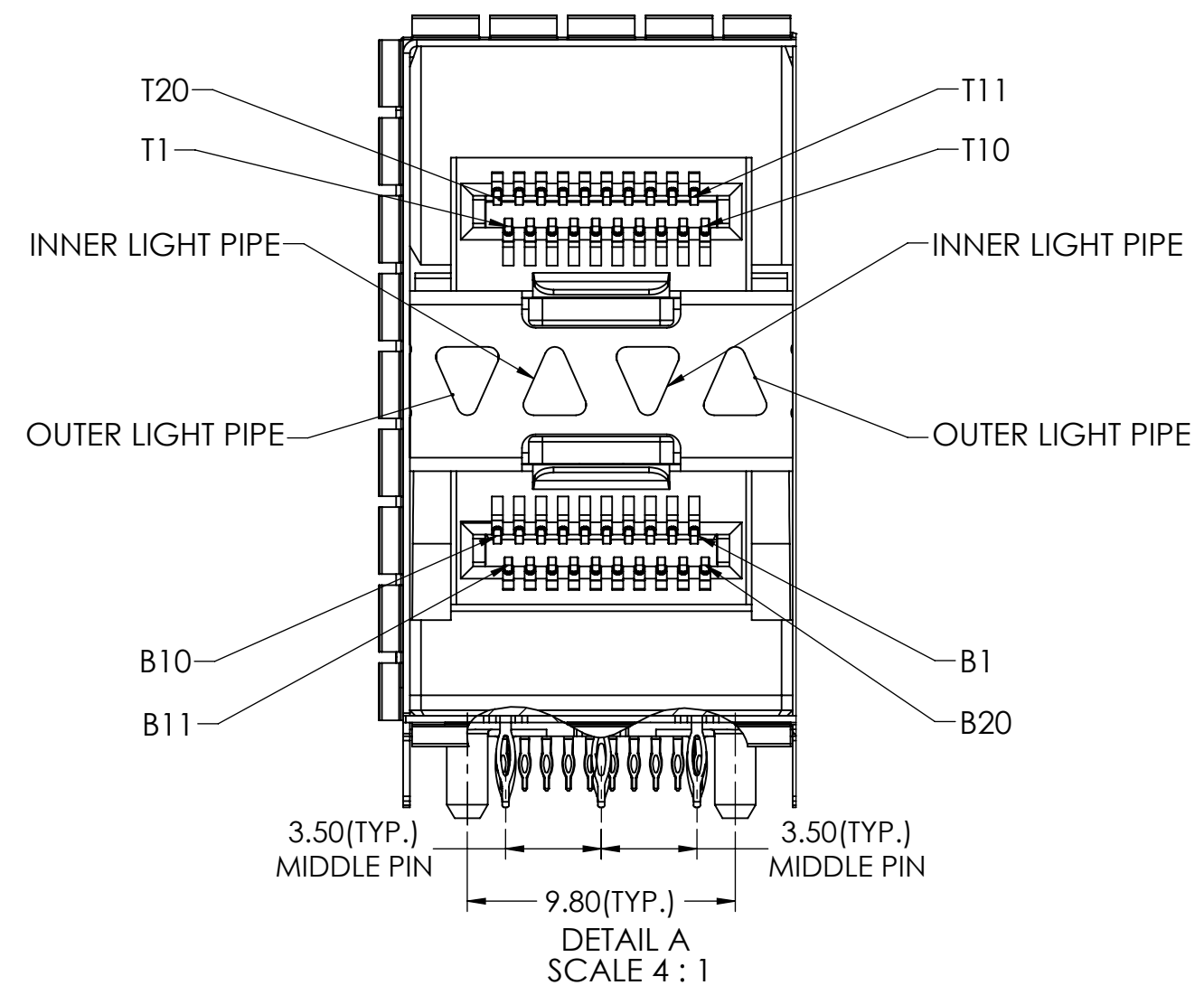
UNLESS SPECIFIED OTHERWISE	DRAWN	P. OU	FEB10/14
DIMENSIONS ARE IN MILLIMETERS	CHECKED	J. SI	NOV03/15
REFERENCE IN PARENTHESES	M.E. APP'D		
GENERAL TOLERANCES	Q.A. APP'D		
1 DECIMAL PLACE ±0.25	DWG APP'D	J. SI	NOV03/15
2 DECIMAL PLACE ±0.15	MATERIAL AND FINISH	SEE NOTES	
3 DECIMAL PLACE ±0.10	REF.	ECN Exxxxx	
ANGULAR DEGREES ±1°	THIRD ANGLE PROJECTION	DO NOT SCALE DRAWING	
ENG. REL. NO.			

Amphenol High Speed Interconnects
 A Division of Amphenol Corp. www.amphenolcanada.com

2X2 SFP ULTRAPORT WITH LIGHT PIPE OPTIONS
 AND EMI SPRING FINGER

DWG. NO.	P-UE86-3G2620-X0X61	REV E
CODE ID NO.	03554	DWG SIZE: C
SCALE: 2:1	SHEET 1 OF 4	

REVISIONS				
REV.	ECN	DESCRIPTION	DATE	APPROVED
C		UPDATE NOTES	AUG 15/14	J.SI
D		CHANGED PCB THICKNESS	NOV 03/15	J.SI
E		REMOVED DIM. ZONE C2, SHEET 2 OF 4	OCT 31/16	J.SI

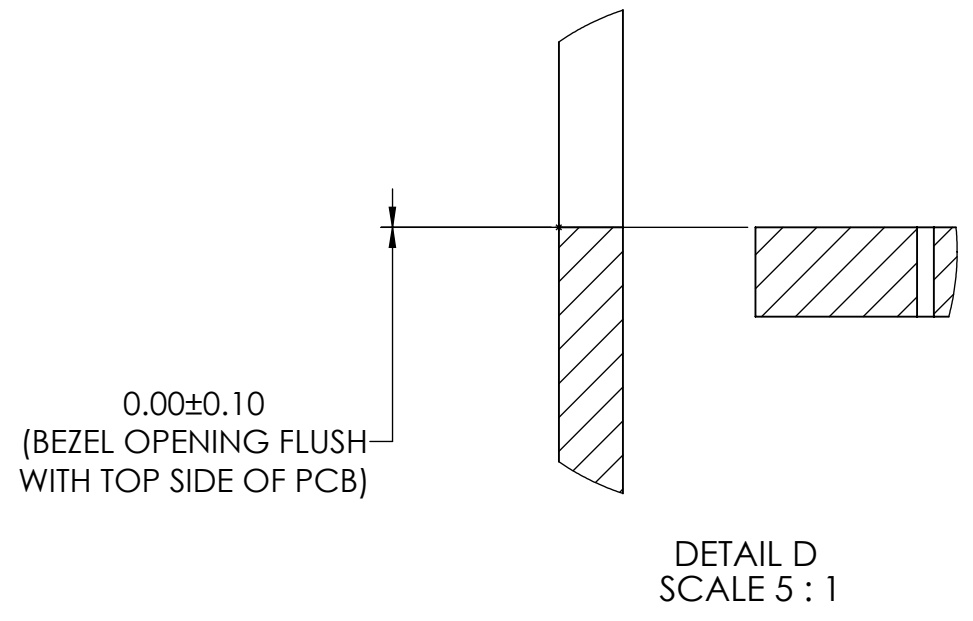
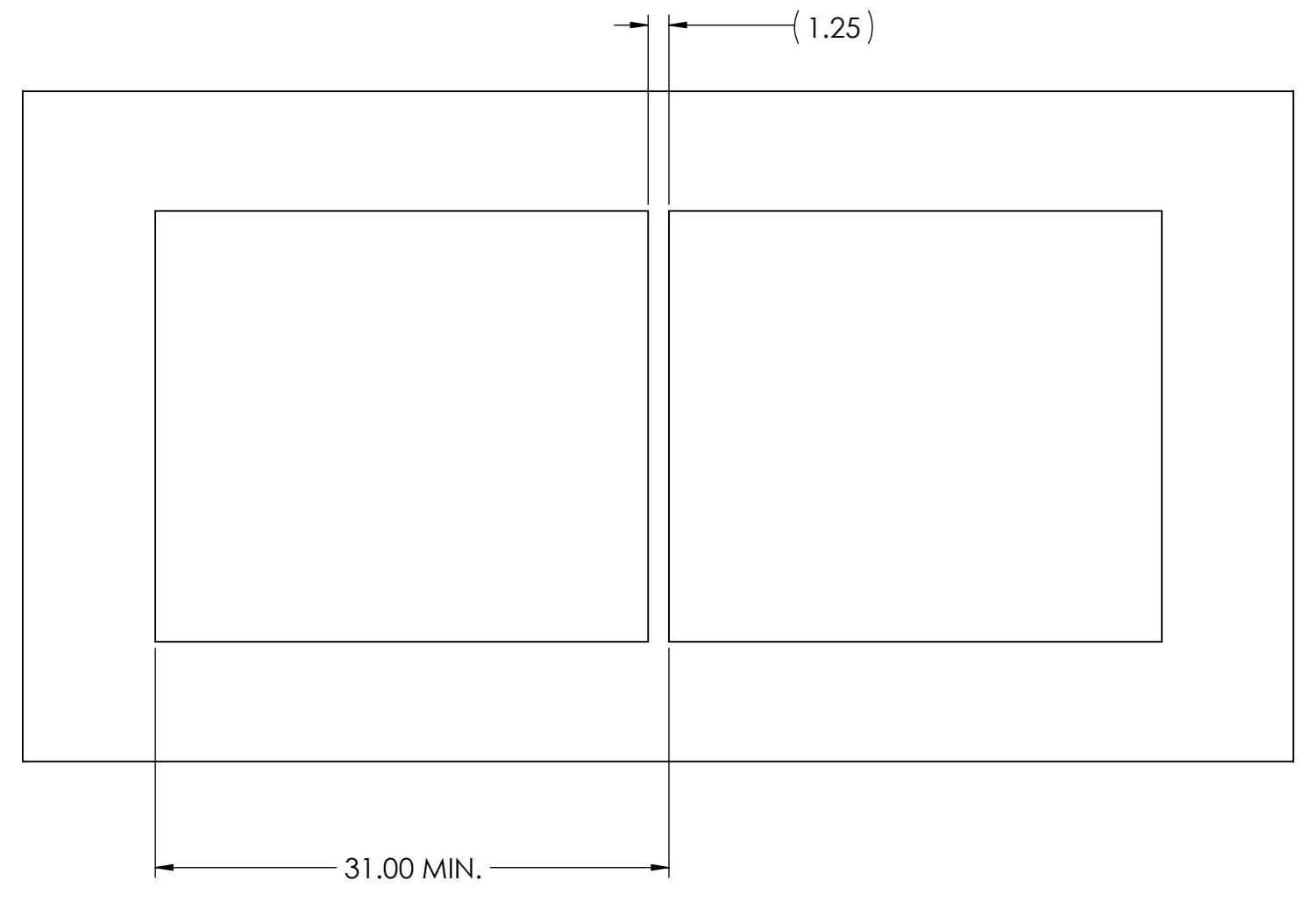
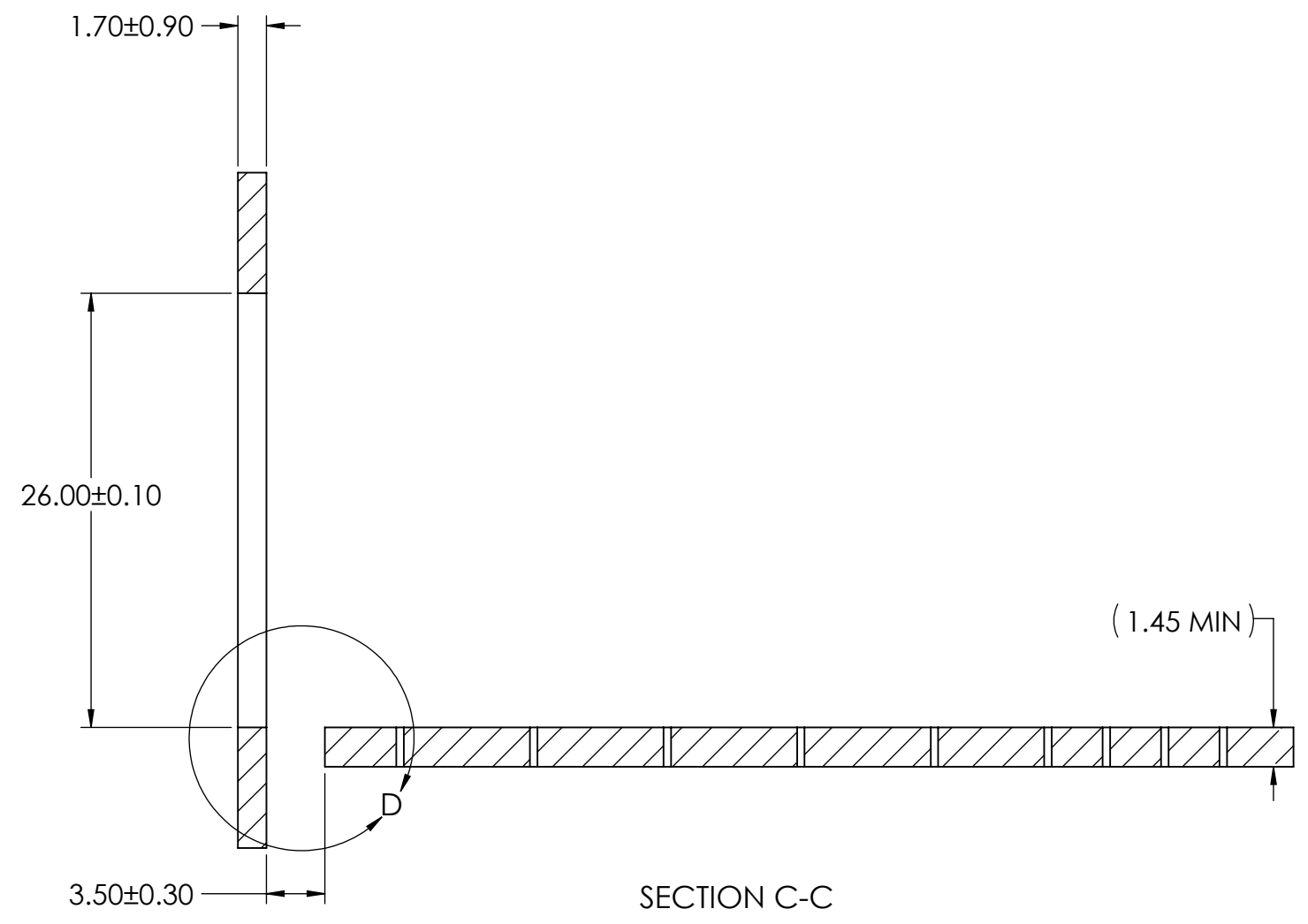
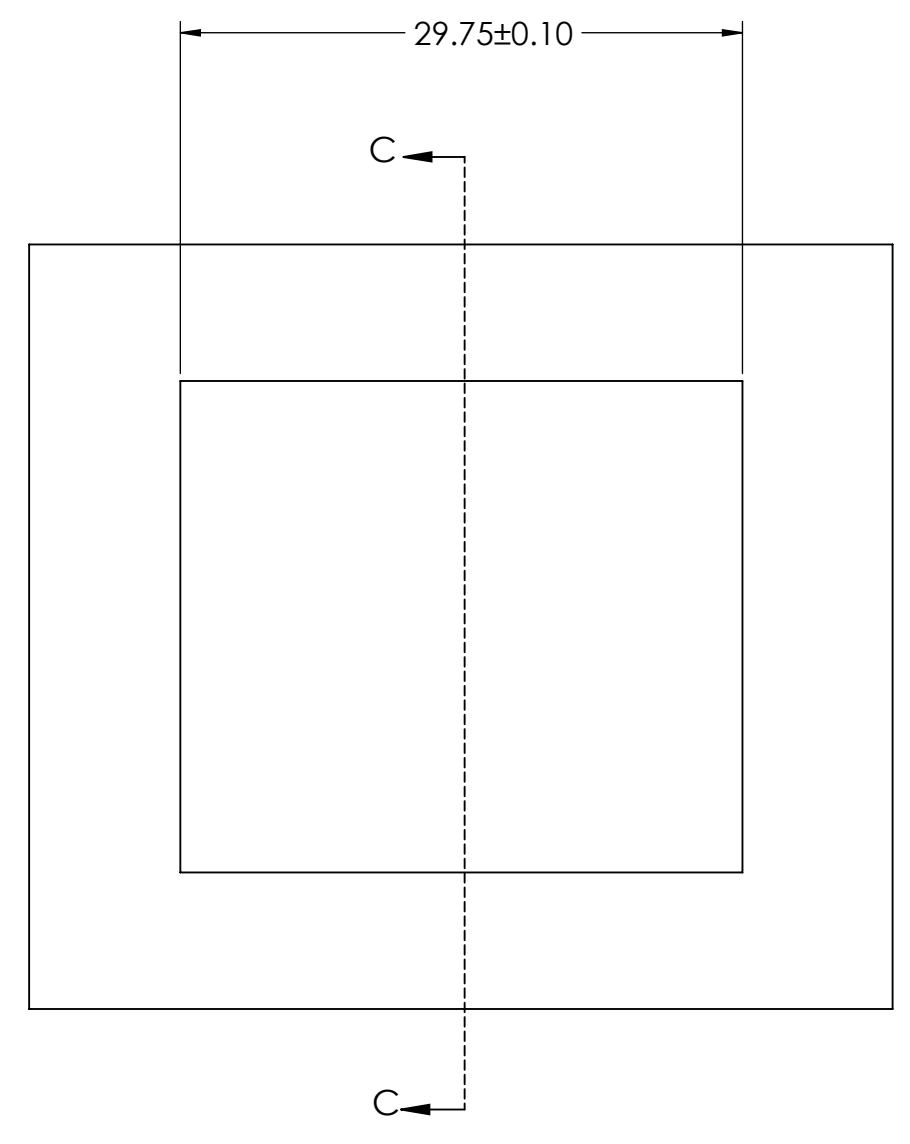


DETAIL B
SCALE 5:1

UNLESS SPECIFIED OTHERWISE DIMENSIONS ARE IN MILLIMETERS REFERENCE IN PARENTHESES	DRAWN P. OU CHECKED J. SI M.E. APP'D Q.A. APP'D	FEB10/14 NOV03/15	Amphenol High Speed Interconnects A Division of Amphenol Corp. www.amphenolcanada.com
GENERAL TOLERANCES 1 DECIMAL PLACE ±0.25 2 DECIMAL PLACE ±0.15 3 DECIMAL PLACE ±0.10 ANGULAR DEGREES ±1°	DWG APP'D J. SI MATERIAL AND FINISH SEE NOTES REF. ECN Exxxxx	NOV03/15	
ENG. REL. NO.	THIRD ANGLE PROJECTION	DO NOT SCALE DRAWING	DWG. NO. P-UE86-3G2620-X0X61
			REV E
			CODE ID NO. 03554 DWG SIZE: C SCALE: 3:1 SHEET 2 OF 4

THIS DOCUMENT CONTAINS PROPRIETARY INFORMATION AND SUCH INFORMATION MAY NOT BE DISCLOSED TO OTHERS FOR ANY PURPOSE OR USED FOR MANUFACTURING PURPOSES WITHOUT WRITTEN PERMISSION FROM AMPHENOL CANADA CORP.

REVISIONS				
REV.	ECN	DESCRIPTION	DATE	APPROVED
C		UPDATE NOTES	AUG 15/14	J.SI
D		CHANGED PCB THICKNESS	NOV 03/15	J.SI
E		REMOVED DIM. ZONE C2, SHEET 2 OF 4	OCT 31/16	J.SI

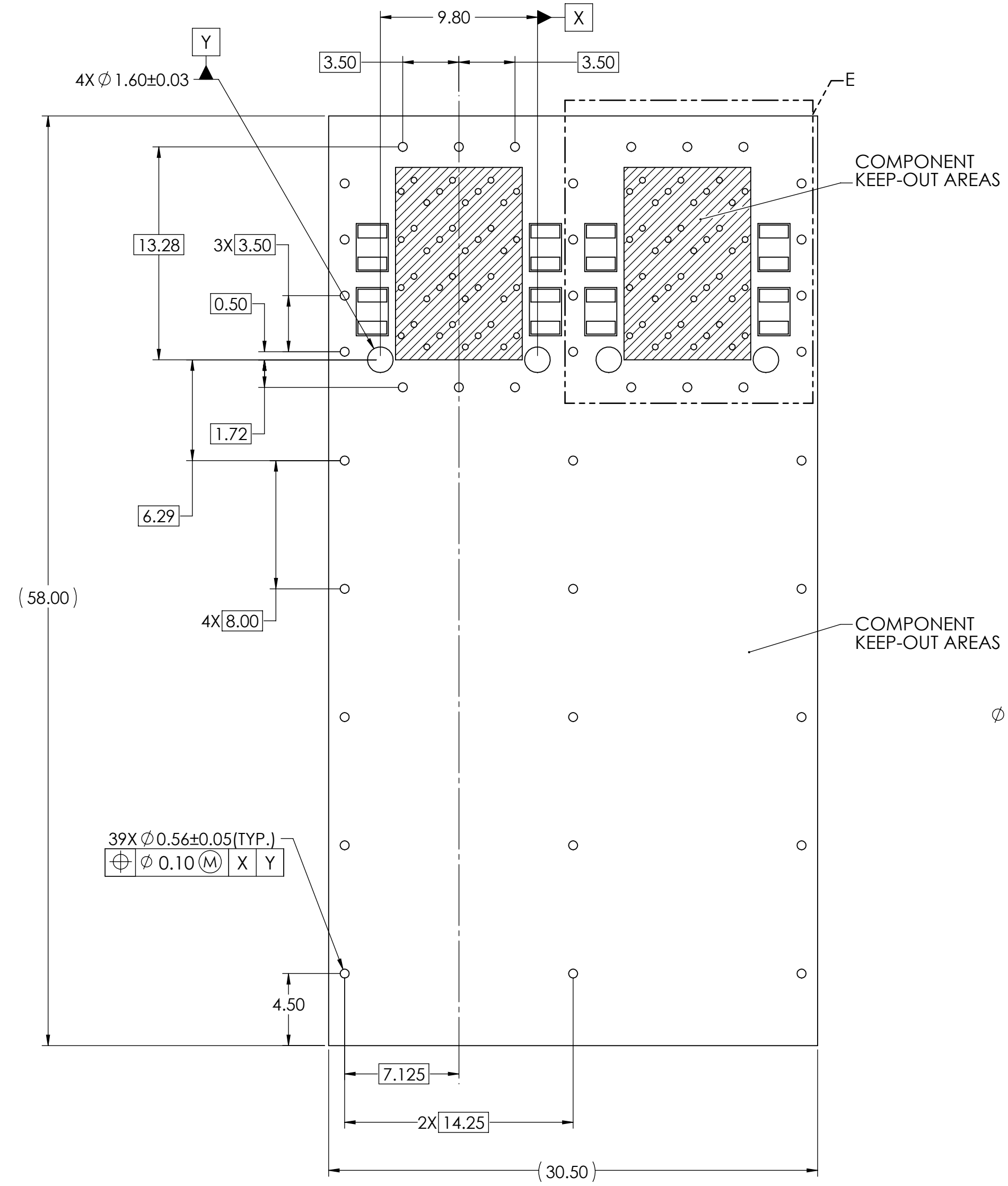


THIS DOCUMENT CONTAINS PROPRIETARY INFORMATION AND SUCH INFORMATION MAY NOT BE DISCLOSED TO OTHERS FOR ANY PURPOSE OR USED FOR MANUFACTURING PURPOSES WITHOUT WRITTEN PERMISSION FROM AMPHENOL CANADA CORP.

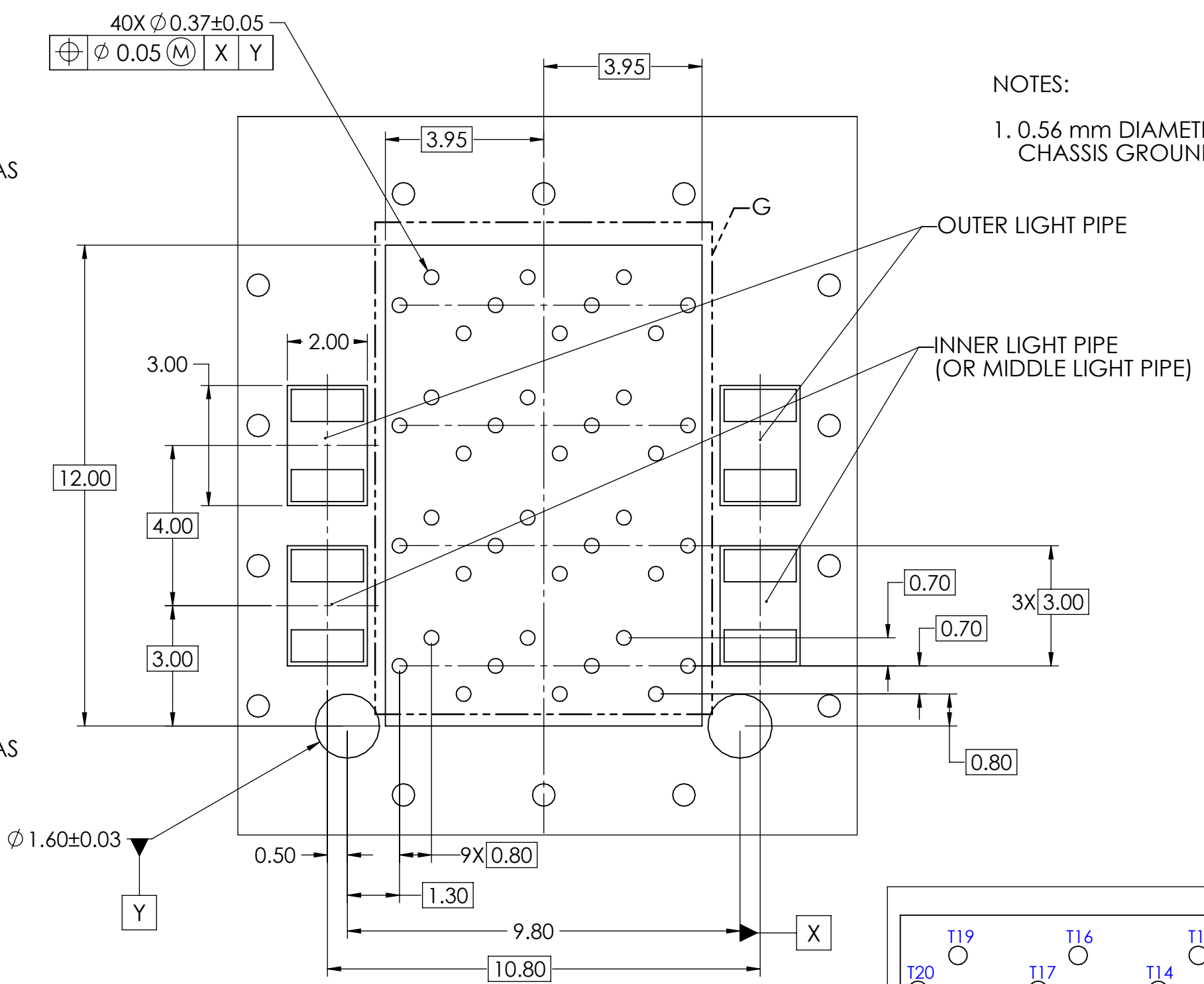
UNLESS SPECIFIED OTHERWISE	DRAWN	P. OU	FEB10/14	Amphenol High Speed Interconnects A Division of Amphenol Corp. www.amphenolcanada.com	
DIMENSIONS ARE IN MILLIMETERS	CHECKED	J. SI	NOV03/15		
REFERENCE IN PARENTHESES	M.E. APP'D				
GENERAL TOLERANCES	Q.A. APP'D				
1 DECIMAL PLACE ±0.25	DWG APP'D	J. SI	NOV03/15	2X2 SFP ULTRAPORT WITH LIGHT PIPE OPTIONS AND EMI SPRING FINGER	
2 DECIMAL PLACE ±0.15	MATERIAL AND FINISH	SEE NOTES			
3 DECIMAL PLACE ±0.10	REF.	ECN Exxxxx		DWG. NO.	P-UE86-3G2620-X0X61
ANGULAR DEGREES ±1°	THIRD ANGLE PROJECTION		DO NOT SCALE DRAWING	CODE ID NO.	03554
ENG. REL. NO.				DWG SIZE:	C
				SCALE:	2.5:1
				SHEET	3 OF 4

REV E

REVISIONS				
REV.	ECN	DESCRIPTION	DATE	APPROVED
C		UPDATE NOTES	AUG 15/14	J.SI
D		CHANGED PCB THICKNESS	NOV 03/15	J.SI
E		REMOVED DIM. ZONE C2, SHEET 2 OF 4	OCT 31/16	J.SI

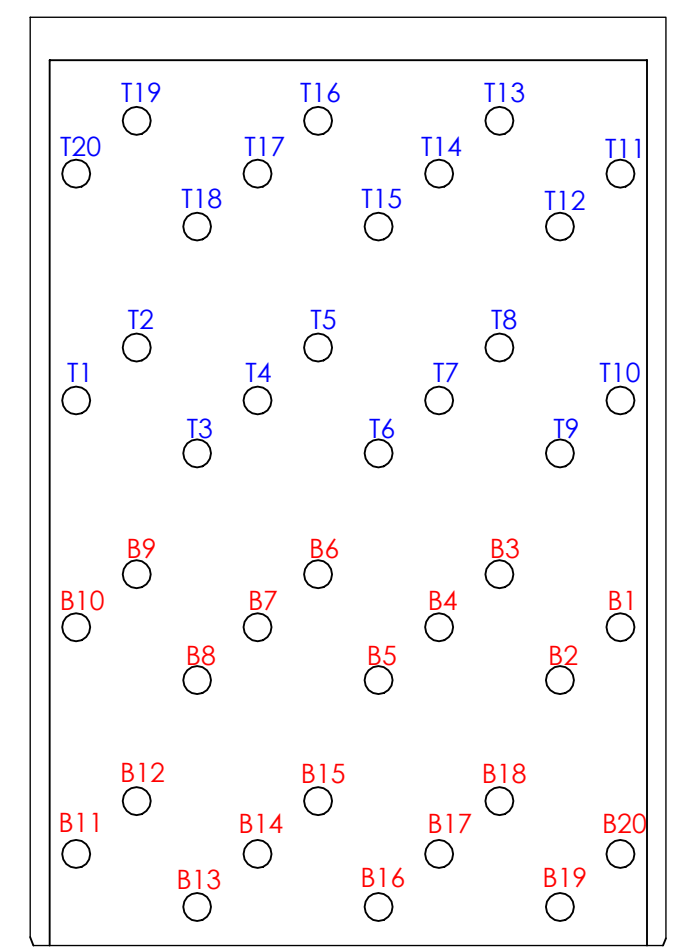


2X2 PCB LAYOUT



**DETAIL E
SCALE 8 : 1**

NOTES:
1. 0.56 mm DIAMETER HOLES ARE CHASSIS GROUND (39HOLES).



**DETAIL G
SCALE 10 : 1**

THIS DOCUMENT CONTAINS PROPRIETARY INFORMATION AND SUCH INFORMATION MAY NOT BE DISCLOSED TO OTHERS FOR ANY PURPOSE OR USED FOR MANUFACTURING PURPOSES WITHOUT WRITTEN PERMISSION FROM AMPHENOL CANADA CORP.

UNLESS SPECIFIED OTHERWISE	DRAWN	P. OU	FEB10/14	Amphenol High Speed Interconnects A Division of Amphenol Corp. www.amphenolcanada.com
DIMENSIONS ARE IN MILLIMETERS	CHECKED	J. SI	NOV03/15	
REFERENCE IN PARENTHESES	M.E. APP'D			2X2 SFP ULTRAPORT WITH LIGHT PIPE OPTIONS AND EMI SPRING FINGER
GENERAL TOLERANCES	Q.A. APP'D			
1 DECIMAL PLACE ±0.25	DWG APP'D	J. SI	NOV03/15	REV E
2 DECIMAL PLACE ±0.15	MATERIAL AND FINISH	SEE NOTES		
3 DECIMAL PLACE ±0.10	REF.	ECN Exxxxx	DWG. NO.	P-UE86-3G2620-X0X61
ANGULAR DEGREES ±1°	THIRD ANGLE PROJECTION	DO NOT SCALE DRAWING	CODE ID NO. 03554	
ENG. REL. NO.			DWG SIZE: C	SCALE: 4:1
				SHEET 4 OF 4



Компания «ЭлектроПласт» предлагает заключение долгосрочных отношений при поставках импортных электронных компонентов на взаимовыгодных условиях!

Наши преимущества:

- Оперативные поставки широкого спектра электронных компонентов отечественного и импортного производства напрямую от производителей и с крупнейших мировых складов;
- Поставка более 17-ти миллионов наименований электронных компонентов;
- Поставка сложных, дефицитных, либо снятых с производства позиций;
- Оперативные сроки поставки под заказ (от 5 рабочих дней);
- Экспресс доставка в любую точку России;
- Техническая поддержка проекта, помощь в подборе аналогов, поставка прототипов;
- Система менеджмента качества сертифицирована по Международному стандарту ISO 9001;
- Лицензия ФСБ на осуществление работ с использованием сведений, составляющих государственную тайну;
- Поставка специализированных компонентов (Xilinx, Altera, Analog Devices, Intersil, Interpoint, Microsemi, Aeroflex, Peregrine, Syfer, Eurofarad, Texas Instrument, Miteq, Cobham, E2V, MA-COM, Hittite, Mini-Circuits, General Dynamics и др.);

Помимо этого, одним из направлений компании «ЭлектроПласт» является направление «Источники питания». Мы предлагаем Вам помощь Конструкторского отдела:

- Подбор оптимального решения, техническое обоснование при выборе компонента;
- Подбор аналогов;
- Консультации по применению компонента;
- Поставка образцов и прототипов;
- Техническая поддержка проекта;
- Защита от снятия компонента с производства.



Как с нами связаться

Телефон: 8 (812) 309 58 32 (многоканальный)

Факс: 8 (812) 320-02-42

Электронная почта: org@eplast1.ru

Адрес: 198099, г. Санкт-Петербург, ул. Калинина, дом 2, корпус 4, литера А.