

**Tippette Switches**



The Tippette Series is a traditionally styled rocker switch, available in sealed or unsealed versions. These switches are appropriate for use in those applications not requiring the more stringent sealing protection of the V-Series and L-Series switches. The Tippette Series is available in both illuminated and non-illuminated versions and features a wide variety of circuits, actuator styles and bracket options. This versatile offering includes international agency certifications and ratings to 26 amps for select circuits.

**Electrical**

|                          |  |
|--------------------------|--|
| Contact Rating . . . . . | 15 amps, 125 VAC<br>10 amps, 250 VAC<br>3/4 HP 125-250 VAC<br>15 amps, 12-30 VDC   |
| Life . . . . .           | 25,000 cycles circuit dependent<br>50,000 cycles circuit dependent<br>consult factory for applicable circuits.   |
| Contacts . . . . .       | Fine silver, silver cad-oxide  |
| Terminals . . . . .      | Brass or copper/silver plate 1/4" (6.3mm) Quick Connect terminations standard.<br>Solder lug - Brass Tin Plated<br>Wire Lead 16 gauge standard 105°C 600VAC<br>Screw Terminals - Brass |

**Mechanical**

Endurance . . . . . 100,000 cycles minimum

**Physical**

|                          |   |
|--------------------------|---|
| Lighted . . . . .        | Incandescent - rated 10,000 hours<br>Neon - rated 25,000 hours    |
| Seals . . . . .          | Bracket - Actuator WBL/MBL<br>optional external gasket panel seal |
| Base . . . . .           | Phenolic (150°C)  |
| Rocker/Bracket . . . . . | Nylon 66 (105°C)  |

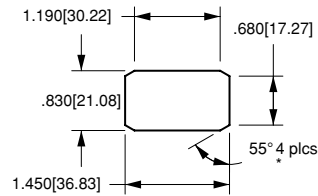
**Agency Certifications**



Select circuits and constructions with IEC approvals are available. Consult factory.

**Mounting**

**MOUNTING HOLE**  
(Nylon Snap-in Brackets)  
Panel Thickness:  
.040 min. - .250 max.



\*Angled corners are suggested for optimum fit. Standard rectangular cutout is acceptable.

**TIGA51 - 6M - BL - MBL**

<sup>1</sup> Base Part Number      <sup>2</sup> Actuator Style      <sup>3</sup> Actuator Color      <sup>4</sup> Bracket

**1 BASE PART NUMBER: SERIES/POLES/CIRCUITRY<sup>8, 11, 13</sup>/RATING<sup>7</sup>/TERMINATION<sup>10</sup>**

**10A 250VAC, 15A 125VAC, 3/4 HP 125-250VAC, 15A 6-28VDC<sup>7</sup>**

**Single Pole in Double Pole base<sup>2</sup>**

| solder lug | .250 tab | screw term. | wire leads |               |
|------------|----------|-------------|------------|---------------|
| TIGA50     | TIGA51   | TIGA54      | TIGA55     | ON-NONE-OFF   |
| TIGA5A     | TIGA5B   | TIGA5E      | TIGA5F     | (ON)-NONE-OFF |
| TIGA5L     | TIGA5M   | TIGA5S      | TIGA5T     | ON-NONE-(OFF) |
| TIGB50     | TIGB51   | TIGB54      | TIGB55     | ON-NONE-ON    |
| TIGB5A     | TIGB5B   | TIGB5E      | TIGB5F     | ON-NONE-(ON)  |
| TIGC50     | TIGC51   | TIGC54      | TIGC55     | ON-OFF-ON     |
| TIGC5A     | TIGC5B   | TIGC5E      | TIGC5F     | ON--OFF-(ON)  |
| TIGC5L     | TIGC5M   | TIGC5S      | TIGC5T     | (ON)-OFF-(ON) |

**Double Pole**

| solder lug | .250 tab | screw term. | wire leads |               |
|------------|----------|-------------|------------|---------------|
| TIGK50     | TIGK51   | TIGK54      | TIGK55     | ON-NONE-OFF   |
| TIGK5A     | TIGK5B   | TIGK5E      | TIGK5F     | (ON)-NONE-OFF |
| TIGK5L     | TIGK5M   | TIGK5S      | TIGK5T     | ON-NONE-(OFF) |
| TIGL50     | TIGL51   | TIGL54      | TIGL55     | ON-NONE-ON    |
| TIGL5A     | TIGL5B   | TIGL5E      | TIGL5F     | ON-NONE-(ON)  |
| TIGM50     | TIGM51   | TIGM54      | TIGM55     | ON-OFF-ON     |
| TIGM5A     | TIGM5B   | TIGM5E      | TIGM5F     | ON--OFF-(ON)  |
| TIGM5L     | TIGM5M   | TIGM5S      | TIGM5T     | (ON)-OFF-(ON) |

**Three Pole**

| solder lug | .250 tab | screw term. | wire leads |               |
|------------|----------|-------------|------------|---------------|
| TIHK50     | TIHK51   | TIHK54      | TIHK55     | ON-NONE-OFF   |
| TIHK5A     | TIHK5B   | TIHK5E      | TIHK5F     | (ON)-NONE-OFF |
| TIHK5L     | TIHK5M   | TIHK5S      | TIHK5T     | ON-NONE-(OFF) |
| TIHL50     | TIHL51   | TIHL54      | TIHL55     | ON-NONE-ON    |
| TIHL5A     | TIHL5B   | TIHL5E      | TIHL5F     | ON-NONE-(ON)  |
| TIHM50     | TIHM51   | TIHM54      | TIHM55     | ON-OFF-ON     |
| TIHM5A     | TIHM5B   | TIHM5E      | TIHM5F     | ON--OFF-(ON)  |
| TIHM5L     | TIHM5M   | TIHM5S      | TIHM5T     | (ON)-OFF-(ON) |

**Four Pole**

| solder lug | .250 tab | screw term. | wire leads |               |
|------------|----------|-------------|------------|---------------|
| TIK50      | TIK51    | TIK54       | TIK55      | ON-NONE-OFF   |
| TIK5A      | TIK5B    | TIK5E       | TIK5F      | (ON)-NONE-OFF |
| TIK5L      | TIK5M    | TIK5S       | TIK5T      | ON-NONE-(OFF) |
| TIIL50     | TIIL51   | TIIL54      | TIIL55     | ON-NONE-ON    |
| TIIL5A     | TIIL5B   | TIIL5E      | TIIL5F     | ON-NONE-(ON)  |
| TIIM50     | TIIM51   | TIIM54      | TIIM55     | ON-OFF-ON     |
| TIIM5A     | TIIM5B   | TIIM5E      | TIIM5F     | ON--OFF-(ON)  |
| TIIM5L     | TIIM5M   | TIIM5S      | TIIM5T     | (ON)-OFF-(ON) |

**VDE APPROVED**

**10A 250VAC, 15A 125VAC, 12(6)A 250VAC T85**

**Single Pole in Double Pole base<sup>2</sup>**

| solder lug | .250 tab | wire lead |             |
|------------|----------|-----------|-------------|
| TIGA90     | TIGA91   | TIGA95    | ON-NONE-OFF |
| TIGB90     | TIGB91   | TIGB95    | ON-NONE-ON  |
| TIGC90     | TIGC91   | TIGC95    | ON-OFF-ON   |

**Double Pole**

| solder lug | .250 tab | wire lead |             |
|------------|----------|-----------|-------------|
| TIGK90     | TIGK91   | TIGK95    | ON-NONE-OFF |
| TIGL90     | TIGL91   | TIGL95    | ON-NONE-ON  |
| TIGM90     | TIGM91   | TIGM95    | ON-OFF-ON   |

**Additional ratings up to 20A 125-277VAC, 1 1/2HP 125 VAC, 2HP 250VAC are available.**

**Consult factory for specifics.**

**2 ACTUATOR STYLE**

|           |   |           |   |
|-----------|---|-----------|---|
| <b>1S</b> | Angular/Smooth Face Gloss <sup>12</sup>           | <b>6M</b> | Curved/Smooth Face Matte <sup>3</sup>         |
| <b>1C</b> | Angular/Cross Serations Gloss <sup>12</sup>       | <b>6S</b> | Curved/Smooth Face Gloss <sup>3</sup>         |
| <b>1F</b> | Flatted/Smooth Face Gloss <sup>12</sup>           | <b>7S</b> | Rounded Paddle/Smooth Face Gloss <sup>1</sup> |
| <b>1L</b> | Angular/Longline Serations Gloss <sup>1, 12</sup> | <b>7N</b> | Witch's Hat/Narrow <sup>15</sup>              |
| <b>2L</b> | Long Smooth/Narrow <sup>16</sup>                  | <b>7P</b> | Witch's Hat/Wide <sup>15</sup>                |

**3 ACTUATOR COLOR<sup>9</sup>**

**BL** black    **WH** white    **RD** red

**4 BRACKET STYLE<sup>9</sup>**

|               |   |
|---------------|---|
| <b>A</b>      | Screw Mount <sup>5</sup>                  |
| <b>B</b>      | Screw Mount <sup>5, 14</sup>              |
| <b>C</b>      | Screw Mount <sup>5</sup>                  |
| <b>H</b>      | Screw Mount <sup>5</sup>                  |
| <b>NBL</b>    | Nylon Black                               |
| <b>WBL</b>    | Watershedding Black <sup>4</sup>          |
| <b>MBL</b>    | Marine Style Black <sup>5</sup>           |
| <b>FN</b>     | Metal Snap-In <sup>5</sup>                |
| <b>FN BLK</b> | Black Metal Snap-In <sup>5</sup>          |
| <b>FN SS</b>  | Stainless Steel Snap-In <sup>5</sup>      |
| <b>FW</b>     | Wide Stainless Steel Snap-In <sup>9</sup> |

**NOTES**

- 1 NBL, FN, & FW brackets only.
- 2 For single pole switch in a single pole base, specify TIL with single pole circuitry/rating/termination.
- 3 NBL, WBL, & MBL brackets only. With 6M actuator, brackets also will be matte finish.
- 4 6M & 6S actuators only
- 5 Not available with 6M & 6S actuators.
- 6 Consists of WBL bracket, neoprene seal, and dummy rivets at open holes. Consult factory for agency approval status. All ratings are appropriate for usage in low voltage applications.
- 7 For additional special circuits, see page 21.
- 9 Custom colors are available, consult factory.
- 10 .187 tab and PC terminations are also available. Consult factory for catalog number callout.
- 11 ( ) momentary
- 12 Not available with WBL or MBL style brackets.
- 13 Additional circuits available. See page 21.
- 14 Available with single pole TIL-Series only.
- 15 Available with bracket A, C or H only.
- 16 Not available with MBL or H brackets. Can be supplied as a double rocker to control separate poles of a TIG, TIH or TII switch. Consult factory for details.

**LTILA51 - 6M - BL - RC - MBL - 12V**

<sup>1</sup> Base Part Number      <sup>2</sup> Actuator Style      <sup>3</sup> Actuator Color      <sup>4</sup> Lens Color      <sup>5</sup> Bracket      <sup>6</sup> Lamp Voltage

**1 BASE PART NUMBER: SERIES/POLES/ILLUMINATION/CIRCUITRY<sup>12</sup>/RATING<sup>10</sup>/TERMINATION<sup>14</sup>**

**10A 250VAC, 15A 125VAC, 3/4 HP 125-250VAC, 15A 15-28VDC**

**illuminated Single Pole in Double Pole base**

| solder lug | .250 tab | screw term. | wire leads |               |
|------------|----------|-------------|------------|---------------|
| LTILA50    | LTILA51  | LTILA54     | LTILA55    | ON-NONE-OFF   |
| LTILA5A    | LTILA5B  | LTILA5E     | LTILA5F    | (ON)-NONE-OFF |
| LTILA5L    | LTILA5M  | LTILA5S     | LTILA5T    | ON-NONE-(OFF) |
| LTILB50    | LTILB51  | LTILB54     | LTILB55    | ON-NONE-ON    |
| LTILB5A    | LTILB5B  | LTILB5E     | LTILB5F    | ON-NONE-(ON)  |
| LTILC50    | LTILC51  | LTILC54     | LTILC55    | ON-OFF-ON     |
| LTILC5A    | LTILC5B  | LTILC5E     | LTILC5F    | ON--OFF-(ON)  |
| LTILC5L    | LTILC5M  | LTILC5S     | LTILC5T    | (ON)-OFF-(ON) |

**illuminated Double Pole**

| solder lug | .250 tab | screw term. | wire leads |               |
|------------|----------|-------------|------------|---------------|
| LTIGK50    | LTIGK51  | LTIGK54     | LTIGK55    | ON-NONE-OFF   |
| LTIGK5A    | LTIGK5B  | LTIGK5E     | LTIGK5F    | (ON)-NONE-OFF |
| LTIGK5L    | LTIGK5M  | LTIGK5S     | LTIGK5T    | ON-NONE-(OFF) |
| LTIGL50    | LTIGL51  | LTIGL54     | LTIGL55    | ON-NONE-ON    |
| LTIGL5A    | LTIGL5B  | LTIGL5E     | LTIGL5F    | ON-NONE-(ON)  |
| LTIGM50    | LTIGM51  | LTIGM54     | LTIGM55    | ON-OFF-ON     |
| LTIGM5A    | LTIGM5B  | LTIGM5E     | LTIGM5F    | ON--OFF-(ON)  |
| LTIGM5L    | LTIGM5M  | LTIGM5S     | LTIGM5T    | (ON)-OFF-(ON) |

**Additional ratings up to 12A 250VAC, 17A 125 VAC, 3/4 HP 125 VAC, 1HP 250VAC are available.**

**Consult factory for specifics.**

**Three pole switch is also available: Substitute H for fourth digit of part number. ex. LTIHK51**

**NOTES**

- 1 NBL, FN, & FW brackets only. Double pole circuits provided with 3 pole base.
- 2 LTIL-Series with NBL, FN, & FW brackets only.
- 3 NBL, WBL, & MBL brackets only. With 6M actuator, bracket will also be matte finish.
- 4 1S, 1C, 1L & 7S with NBL bracket only available with LTIL-Series.
- 5 6M, 6S actuators only.
- 6 Not available with 6M and 6S actuators.
- 7 Not recommended with neon lamps.
- 8 Consists of WBL bracket, neoprene seal, dummy rivets at open holes. Consult factory for agency approval status.
- 9 Not recommended with blue or green lenses.
- 10 All ratings are appropriate for usage in low voltage applications.
- 11 Custom colors and additional bracket styles are available, consult factory.
- 12 ( ) - momentary
- 13 All double throw circuits supplied with two lenses. To specify two different lens colors, specify second color, after first color. (ex. LTIGM51-6S-BL-RC/GN-WBL-12V)
- 14 .187 tab and PC terminations are also available. Consult factory for catalog number callout.

**2 ACTUATOR STYLE<sup>4</sup>**

|           |   |
|-----------|---|
| <b>1S</b> | Angular/Smooth Face Gloss <sup>1</sup>        |
| <b>1C</b> | Angular/Cross Serations Gloss <sup>1</sup>    |
| <b>1L</b> | Angular/Longline Serations Gloss <sup>1</sup> |
| <b>6M</b> | Curved/Smooth Face Matte <sup>3</sup>         |
| <b>6S</b> | Curved/Smooth Face Gloss <sup>3</sup>         |
| <b>7S</b> | Rounded Paddle/Smooth Face Gloss <sup>2</sup> |

**3 ACTUATOR COLOR<sup>11</sup>**

**BL** black    **WH** white    **RD** red

**4 LENS COLOR<sup>13</sup>**

**AM** amber    **RC** red    **GN** green<sup>7</sup>  
**LU** blue<sup>7</sup>    **CL** clear    **WH** white

**5 BRACKET STYLE<sup>11</sup>**

|               |   |
|---------------|---|
| <b>NBL</b>    | Nylon Black                             |
| <b>WBL</b>    | Watershedding Black <sup>5</sup>        |
| <b>MBL</b>    | Marine Style Black <sup>5, 6</sup>      |
| <b>FN</b>     | Metal Snap-In <sup>4, 6</sup>           |
| <b>FN BLK</b> | Black Metal Snap-In <sup>4, 6</sup>     |
| <b>FN SS</b>  | Stainless Steel Snap-In <sup>4, 6</sup> |

**6 LAMP VOLTAGE**

**incandescent**

**125N** 125 volt    **250N** 250 volt

**neon<sup>9</sup>**

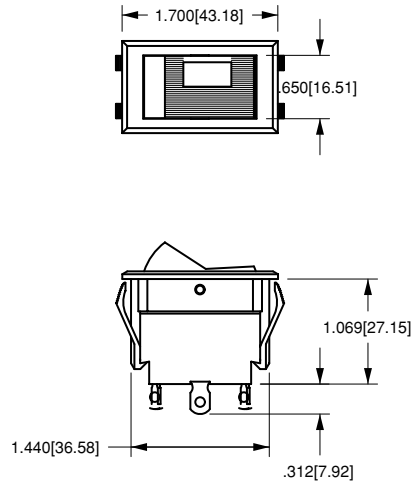
**6V** 6 volt    **12V** 12 volt    **18V** 18 volt  
**24V** 24 volt    **28V** 28 volt

**1C**  
CROSS-LINE W/ONE LENS



WITH .250 TAB  
TERMINALS  
AND NBL BRACKET

**1L**  
LONG-LINE W/ONE LENS



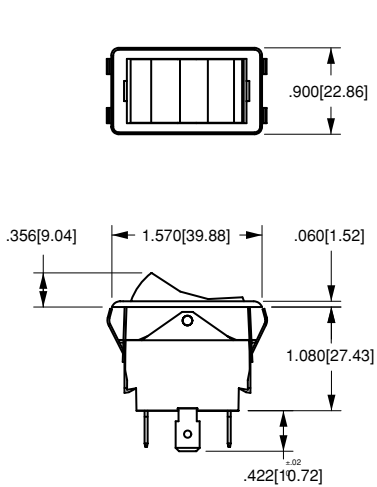
WITH SOLDER LUG  
TERMINAL  
AND NBL BRACKET

**1S**  
SMOOTH W/ONE LENS



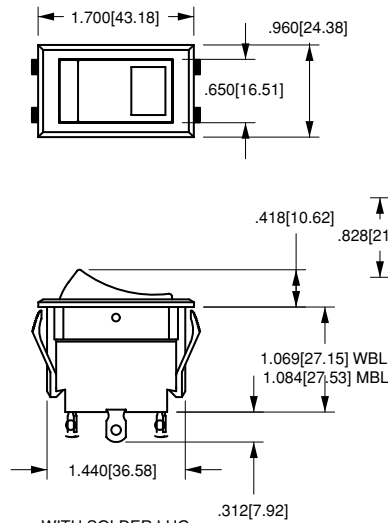
WITH .250 TAB  
TERMINALS  
AND NBL BRACKET

**1F**  
FLATTED STYLE NO LENS



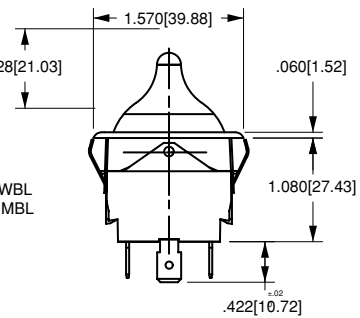
WITH .250 TAB  
TERMINALS  
AND FN BRACKET

**6M, 6S**  
CURVED W/ONE LENS



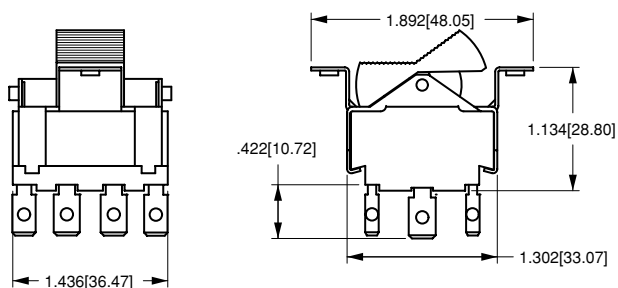
WITH SOLDER LUG  
TERMINALS  
AND WBL/MBL BRACKET

**7S**  
TOGGLE-STYLE W/ONE LENS

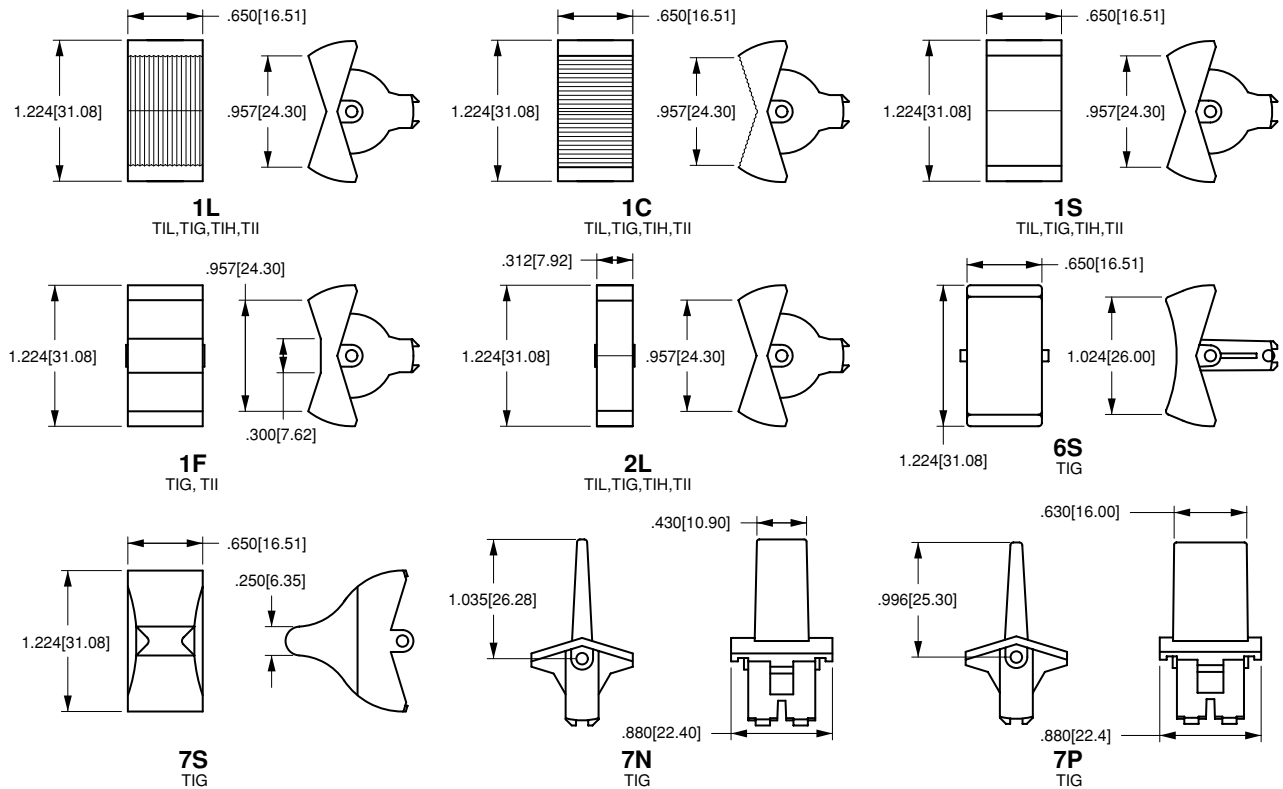


WITH .250 TAB  
TERMINALS  
AND FN BRACKET

**1C**  
TII-SERIES CROSS-LINE W ONE LENS



WITH .250 TAB TERMINALS AND A BRACKET



**Special Circuits for Tippette Rocker Switches**

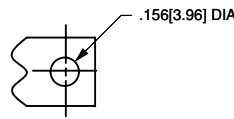
| Circuit                            | Position 1         | Position 2       | Position 3   |
|------------------------------------|--------------------|------------------|--------------|
| Progressive Two Circuit            |                    |                  |              |
| <b>GG</b>                          | BOTH CIRCUITS ON   | ONE CIRCUIT ON   | OFF          |
| <b>GG</b>                          | BOTH CIRCUITS (ON) | ONE CIRCUIT ON   | OFF          |
| Single Pole Triple Throw           |                    |                  |              |
| <b>GE</b>                          | ON                 | ON               | ON           |
| Two Circuit                        |                    |                  |              |
| <b>GH</b>                          | CIRCUIT 1 ON       | BOTH CIRCUITS ON | CIRCUIT 2 ON |
| <b>GP</b>                          | CIRCUIT 2 ON       | CIRCUIT 1 ON     | OFF          |
| Reversing Double Pole Double Throw |                    |                  |              |
| <b>GO</b>                          | ON                 | OFF              | ON           |
| <b>GX</b>                          | ON                 | NONE             | ON           |

( ) Indicates momentary function.

**Dimensional Specifications: in. [mm]**



**TAPPED HOLE**  
Standard with  
A & B Brackets



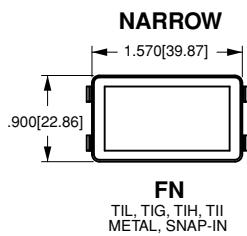
**CLEARANCE HOLE**  
Standard with  
C Bracket



**MOUNTING HOLE**  
(Nylon Snap-in Brackets)  
Panel Thickness:  
.030 min. - .250 max.

\* Angled corners are suggested for optimum fit. Standard rectangular cutout is acceptable.

| TIL                      | TIG                          | TII                          | TIH                     |
|--------------------------|------------------------------|------------------------------|-------------------------|
| <p><b>A</b><br/>TIL</p>  | <p><b>A</b><br/>TIG</p>      | <p><b>A</b><br/>TII</p>      | <p><b>A</b><br/>TIH</p> |
| <p><b>B</b><br/>TIL</p>  | <p><b>B</b><br/>TII, TIG</p> |                              |                         |
| <p><b>C*</b><br/>TIL</p> | <p><b>C</b><br/>TIG</p>      | <p><b>C</b><br/>TIH, TII</p> |                         |





Компания «ЭлектроПласт» предлагает заключение долгосрочных отношений при поставках импортных электронных компонентов на взаимовыгодных условиях!

Наши преимущества:

- Оперативные поставки широкого спектра электронных компонентов отечественного и импортного производства напрямую от производителей и с крупнейших мировых складов;
- Поставка более 17-ти миллионов наименований электронных компонентов;
- Поставка сложных, дефицитных, либо снятых с производства позиций;
- Оперативные сроки поставки под заказ (от 5 рабочих дней);
- Экспресс доставка в любую точку России;
- Техническая поддержка проекта, помощь в подборе аналогов, поставка прототипов;
- Система менеджмента качества сертифицирована по Международному стандарту ISO 9001;
- Лицензия ФСБ на осуществление работ с использованием сведений, составляющих государственную тайну;
- Поставка специализированных компонентов (Xilinx, Altera, Analog Devices, Intersil, Interpoint, Microsemi, Aeroflex, Peregrine, Syfer, Eurofarad, Texas Instrument, Miteq, Cobham, E2V, MA-COM, Hittite, Mini-Circuits, General Dynamics и др.);

Помимо этого, одним из направлений компании «ЭлектроПласт» является направление «Источники питания». Мы предлагаем Вам помощь Конструкторского отдела:

- Подбор оптимального решения, техническое обоснование при выборе компонента;
- Подбор аналогов;
- Консультации по применению компонента;
- Поставка образцов и прототипов;
- Техническая поддержка проекта;
- Защита от снятия компонента с производства.



#### Как с нами связаться

**Телефон:** 8 (812) 309 58 32 (многоканальный)

**Факс:** 8 (812) 320-02-42

**Электронная почта:** [org@eplast1.ru](mailto:org@eplast1.ru)

**Адрес:** 198099, г. Санкт-Петербург, ул. Калинина, дом 2, корпус 4, литера А.