

**Tippette Switches**



The Tippette Series is a traditionally styled rocker switch, available in sealed or unsealed versions. These switches are appropriate for use in those applications not requiring the more stringent sealing protection of the V-Series and L-Series switches. The Tippette Series is available in both illuminated and non-illuminated versions and features a wide variety of circuits, actuator styles and bracket options. This versatile offering includes international agency certifications and ratings to 26 amps for select circuits.

**Electrical**

Contact Rating . . . . .	15 amps, 125 VAC 10 amps, 250 VAC 3/4 HP 125-250 VAC 15 amps, 12-30 VDC
Life . . . . .	25,000 cycles circuit dependent 50,000 cycles circuit dependent consult factory for applicable circuits.
Contacts . . . . .	Fine silver, silver cad-oxide
Terminals . . . . .	Brass or copper/silver plate 1/4" (6.3mm) Quick Connect terminations standard. Solder lug - Brass Tin Plated Wire Lead 16 gauge standard 105°C 600VAC Screw Terminals - Brass

**Mechanical**

Endurance . . . . . 100,000 cycles minimum

**Physical**

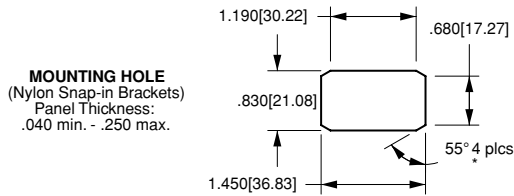
Lighted . . . . .	Incandescent - rated 10,000 hours Neon - rated 25,000 hours
Seals . . . . .	Bracket - Actuator WBL/MBL optional external gasket panel seal
Base . . . . .	Phenolic (150°C)
Rocker/Bracket . . . . .	Nylon 66 (105°C)

**Agency Certifications**



Select circuits and constructions with IEC approvals are available. Consult factory.

**Mounting**



\*Angled corners are suggested for optimum fit. Standard rectangular cutout is acceptable.

**TIGA51 - 6M - BL - MBL**

<sup>1</sup> Base Part Number

<sup>2</sup> Actuator Style

<sup>3</sup> Actuator Color

<sup>4</sup> Bracket

**1 BASE PART NUMBER: SERIES/POLES/CIRCUITRY<sup>8, 11, 13</sup>/RATING<sup>7</sup>/TERMINATION<sup>10</sup>**

**10A 250VAC, 15A 125VAC, 3/4 HP 125-250VAC, 15A 6-28VDC<sup>7</sup>**

**Single Pole in Double Pole base<sup>2</sup>**

solder lug	.250 tab	screw term.	wire leads	
TIGA50	TIGA51	TIGA54	TIGA55	ON-NONE-OFF
TIGA5A	TIGA5B	TIGA5E	TIGA5F	(ON)-NONE-OFF
TIGA5L	TIGA5M	TIGA5S	TIGA5T	ON-NONE-(OFF)
TIGB50	TIGB51	TIGB54	TIGB55	ON-NONE-ON
TIGB5A	TIGB5B	TIGB5E	TIGB5F	ON-NONE-(ON)
TIGC50	TIGC51	TIGC54	TIGC55	ON-OFF-ON
TIGC5A	TIGC5B	TIGC5E	TIGC5F	ON--OFF-(ON)
TIGC5L	TIGC5M	TIGC5S	TIGC5T	(ON)-OFF-(ON)

**Double Pole**

solder lug	.250 tab	screw term.	wire leads	
TIGK50	TIGK51	TIGK54	TIGK55	ON-NONE-OFF
TIGK5A	TIGK5B	TIGK5E	TIGK5F	(ON)-NONE-OFF
TIGK5L	TIGK5M	TIGK5S	TIGK5T	ON-NONE-(OFF)
TIGL50	TIGL51	TIGL54	TIGL55	ON-NONE-ON
TIGL5A	TIGL5B	TIGL5E	TIGL5F	ON-NONE-(ON)
TIGM50	TIGM51	TIGM54	TIGM55	ON-OFF-ON
TIGM5A	TIGM5B	TIGM5E	TIGM5F	ON--OFF-(ON)
TIGM5L	TIGM5M	TIGM5S	TIGM5T	(ON)-OFF-(ON)

**Three Pole**

solder lug	.250 tab	screw term.	wire leads	
TIHK50	TIHK51	TIHK54	TIHK55	ON-NONE-OFF
TIHK5A	TIHK5B	TIHK5E	TIHK5F	(ON)-NONE-OFF
TIHK5L	TIHK5M	TIHK5S	TIHK5T	ON-NONE-(OFF)
TIHL50	TIHL51	TIHL54	TIHL55	ON-NONE-ON
TIHL5A	TIHL5B	TIHL5E	TIHL5F	ON-NONE-(ON)
TIHM50	TIHM51	TIHM54	TIHM55	ON-OFF-ON
TIHM5A	TIHM5B	TIHM5E	TIHM5F	ON--OFF-(ON)
TIHM5L	TIHM5M	TIHM5S	TIHM5T	(ON)-OFF-(ON)

**Four Pole**

solder lug	.250 tab	screw term.	wire leads	
TIK50	TIK51	TIK54	TIK55	ON-NONE-OFF
TIK5A	TIK5B	TIK5E	TIK5F	(ON)-NONE-OFF
TIK5L	TIK5M	TIK5S	TIK5T	ON-NONE-(OFF)
TIL50	TIL51	TIL54	TIL55	ON-NONE-ON
TIL5A	TIL5B	TIL5E	TIL5F	ON-NONE-(ON)
TIIM50	TIIM51	TIIM54	TIIM55	ON-OFF-ON
TIIM5A	TIIM5B	TIIM5E	TIIM5F	ON--OFF-(ON)
TIIM5L	TIIM5M	TIIM5S	TIIM5T	(ON)-OFF-(ON)

**VDE APPROVED**

**10A 250VAC, 15A 125VAC, 12(6)A 250VAC T85**

**Single Pole in Double Pole base<sup>2</sup>**

solder lug	.250 tab	wire lead	
TIGA90	TIGA91	TIGA95	ON-NONE-OFF
TIGB90	TIGB91	TIGB95	ON-NONE-ON
TIGC90	TIGC91	TIGC95	ON-OFF-ON

**Double Pole**

solder lug	.250 tab	wire lead	
TIGK90	TIGK91	TIGK95	ON-NONE-OFF
TIGL90	TIGL91	TIGL95	ON-NONE-ON
TIGM90	TIGM91	TIGM95	ON-OFF-ON

**Additional ratings up to 20A 125-277VAC, 1 1/2HP 125 VAC, 2HP 250VAC are available.**

**Consult factory for specifics.**

**2 ACTUATOR STYLE**

<b>1S</b>	Angular/Smooth Face Gloss <sup>12</sup>	<b>6M</b>	Curved/Smooth Face Matte <sup>3</sup>
<b>1C</b>	Angular/Cross Serations Gloss <sup>12</sup>	<b>6S</b>	Curved/Smooth Face Gloss <sup>3</sup>
<b>1F</b>	Flatted/Smooth Face Gloss <sup>12</sup>	<b>7S</b>	Rounded Paddle/Smooth Face Gloss <sup>1</sup>
<b>1L</b>	Angular/Longline Serrations Gloss <sup>1, 12</sup>	<b>7N</b>	Witch's Hat/Narrow <sup>15</sup>
<b>2L</b>	Long Smooth/Narrow <sup>16</sup>	<b>7P</b>	Witch's Hat/Wide <sup>15</sup>

**3 ACTUATOR COLOR<sup>9</sup>**

**BL** black **WH** white **RD** red

**4 BRACKET STYLE<sup>9</sup>**

<b>A</b>	Screw Mount <sup>5</sup>
<b>B</b>	Screw Mount <sup>5, 14</sup>
<b>C</b>	Screw Mount <sup>5</sup>
<b>H</b>	Screw Mount <sup>5</sup>
<b>NBL</b>	Nylon Black
<b>WBL</b>	Watershedding Black <sup>4</sup>
<b>MBL</b>	Marine Style Black <sup>5</sup>
<b>FN</b>	Metal Snap-In <sup>5</sup>
<b>FN BLK</b>	Black Metal Snap-In <sup>5</sup>
<b>FN SS</b>	Stainless Steel Snap-In <sup>5</sup>
<b>FW</b>	Wide Stainless Steel Snap-In <sup>5</sup>

**NOTES**

- 1 NBL, FN, & FW brackets only.
- 2 For single pole switch in a single pole base, specify TIL with single pole circuitry/rating/termination.
- 3 NBL, WBL, & MBL brackets only. With 6M actuator, brackets also will be matte finish.
- 4 6M & 6S actuators only
- 5 Not available with 6M & 6S actuators.
- 6 Consists of WBL bracket, neoprene seal, and dummy rivets at open holes. Consult factory for agency approval status. All ratings are appropriate for usage in low voltage applications.
- 7 For additional special circuits, see page 21.
- 9 Custom colors are available, consult factory.
- 10 .187 tab and PC terminations are also available. Consult factory for catalog number callout.
- 11 ( ) momentary
- 12 Not available with WBL or MBL style brackets.
- 13 Additional circuits available. See page 21.
- 14 Available with single pole TIL-Series only.
- 15 Available with bracket A, C or H only.
- 16 Not available with MBL or H brackets. Can be supplied as a double rocker to control separate poles of a TIG, TH or TII switch. Consult factory for details.

**LTILA51 - 6M - BL - RC - MBL - 12V**

<sup>1</sup> Base Part Number

<sup>2</sup> Actuator Style

<sup>3</sup> Actuator Color

<sup>4</sup> Lens Color

<sup>5</sup> Bracket

<sup>6</sup> Lamp Voltage

**1 BASE PART NUMBER: SERIES/POLES/ILLUMINATION/CIRCUITRY<sup>12</sup>/RATING<sup>10</sup>/TERMINATION<sup>14</sup>**

**10A 250VAC, 15A 125VAC, 3/4 HP 125-250VAC, 15A 15-28VDC**

**illuminated Single Pole in Double Pole base**

solder lug	.250 tab	screw term.	wire leads	
LTILA50	LTILA51	LTILA54	LTILA55	ON-NONE-OFF
LTILA5A	LTILA5B	LTILA5E	LTILA5F	(ON)-NONE-OFF
LTILA5L	LTILA5M	LTILA5S	LTILA5T	ON-NONE-(OFF)
LTILB50	LTILB51	LTILB54	LTILB55	ON-NONE-ON
LTILB5A	LTILB5B	LTILB5E	LTILB5F	ON-NONE-(ON)
LTILC50	LTILC51	LTILC54	LTILC55	ON-OFF-ON
LTILC5A	LTILC5B	LTILC5E	LTILC5F	ON--OFF-(ON)
LTILC5L	LTILC5M	LTILC5S	LTILC5T	(ON)-OFF-(ON)

**illuminated Double Pole**

solder lug	.250 tab	screw term.	wire leads	
LTIGK50	LTIGK51	LTIGK54	LTIGK55	ON-NONE-OFF
LTIGK5A	LTIGK5B	LTIGK5E	LTIGK5F	(ON)-NONE-OFF
LTIGK5L	LTIGK5M	LTIGK5S	LTIGK5T	ON-NONE-(OFF)
LTIGL50	LTIGL51	LTIGL54	LTIGL55	ON-NONE-ON
LTIGL5A	LTIGL5B	LTIGL5E	LTIGL5F	ON-NONE-(ON)
LTIGM50	LTIGM51	LTIGM54	LTIGM55	ON-OFF-ON
LTIGM5A	LTIGM5B	LTIGM5E	LTIGM5F	ON--OFF-(ON)
LTIGM5L	LTIGM5M	LTIGM5S	LTIGM5T	(ON)-OFF-(ON)

**Additional ratings up to 12A 250VAC, 17A 125 VAC, 3/4 HP 125 VAC, 1HP 250VAC are available.**

**Consult factory for specifics.**

**Three pole switch is also available: Substitute H for fourth digit of part number. ex. LTIHK51**

**NOTES**

- 1 NBL, FN, & FW brackets only. Double pole circuits provided with 3 pole base.
- 2 LTIL-Series with NBL, FN, & FW brackets only.
- 3 NBL, WBL, & MBL brackets only. With 6M actuator, bracket will also be matte finish.
- 4 1S, 1C, 1L & 7S with NBL bracket only available with LTIL-Series.
- 5 6M, 6S actuators only.
- 6 Not available with 6M and 6S actuators.
- 7 Not recommended with neon lamps.
- 8 Consists of WBL bracket, neoprene seal, dummy rivets at open holes. Consult factory for agency approval status.
- 9 Not recommended with blue or green lenses.
- 10 All ratings are appropriate for usage in low voltage applications.
- 11 Custom colors and additional bracket styles are available, consult factory.
- 12 ( ) - momentary
- 13 All double throw circuits supplied with two lenses. To specify two different lens colors, specify second color, after first color. (ex. LTIGM51-6S-BL-RC/GN-WBL-12V)
- 14 .187 tab and PC terminations are also available. Consult factory for catalog number callout.

**2 ACTUATOR STYLE<sup>4</sup>**

<b>1S</b>	Angular/Smooth Face Gloss <sup>1</sup>
<b>1C</b>	Angular/Cross Serations Gloss <sup>1</sup>
<b>1L</b>	Angular/Longline Serrations Gloss <sup>1</sup>
<b>6M</b>	Curved/Smooth Face Matte <sup>3</sup>
<b>6S</b>	Curved/Smooth Face Gloss <sup>3</sup>
<b>7S</b>	Rounded Paddle/Smooth Face Gloss <sup>2</sup>

**3 ACTUATOR COLOR<sup>11</sup>**

**BL** black **WH** white **RD** red

**4 LENS COLOR<sup>13</sup>**

<b>AM</b>	amber	<b>RC</b>	red	<b>GN</b>	green <sup>7</sup>
<b>LU</b>	blue <sup>7</sup>	<b>CL</b>	clear	<b>WH</b>	white

**5 BRACKET STYLE<sup>11</sup>**

<b>NBL</b>	Nylon Black
<b>WBL</b>	Watershedding Black <sup>5</sup>
<b>MBL</b>	Marine Style Black <sup>5, 6</sup>
<b>FN</b>	Metal Snap-In <sup>4, 6</sup>
<b>FN BLK</b>	Black Metal Snap-In <sup>4, 6</sup>
<b>FN SS</b>	Stainless Steel Snap-In <sup>4, 6</sup>

**6 LAMP VOLTAGE**

**incandescent**

**125N** 125 volt **250N** 250 volt

**neon<sup>9</sup>**

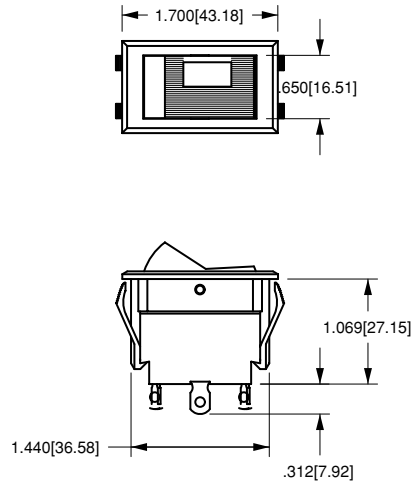
<b>6V</b>	6 volt	<b>12V</b>	12 volt	<b>18V</b>	18 volt
<b>24V</b>	24 volt	<b>28V</b>	28 volt		

**1C**  
CROSS-LINE W/ONE LENS



WITH .250 TAB  
TERMINALS  
AND NBL BRACKET

**1L**  
LONG-LINE W/ONE LENS



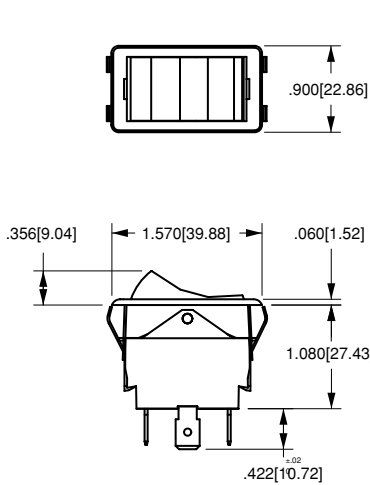
WITH SOLDER LUG  
TERMINAL  
AND NBL BRACKET

**1S**  
SMOOTH W/ONE LENS



WITH .250 TAB  
TERMINALS  
AND NBL BRACKET

**1F**  
FLATTED STYLE NO LENS



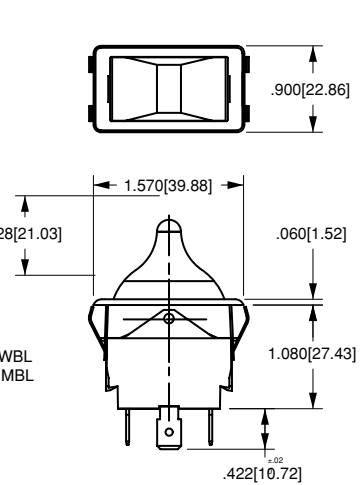
WITH .250 TAB  
TERMINALS  
AND FN BRACKET

**6M, 6S**  
CURVED W/ONE LENS



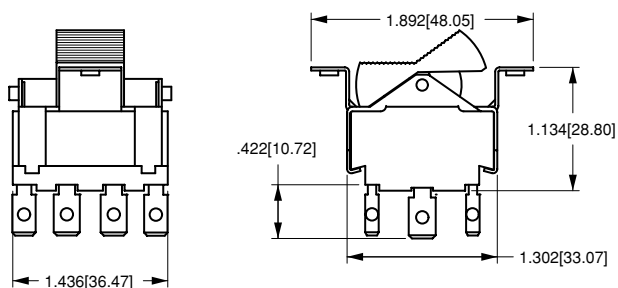
WITH SOLDER LUG  
TERMINALS  
AND WBL/MBL BRACKET

**7S**  
TOGGLE-STYLE W/ONE LENS

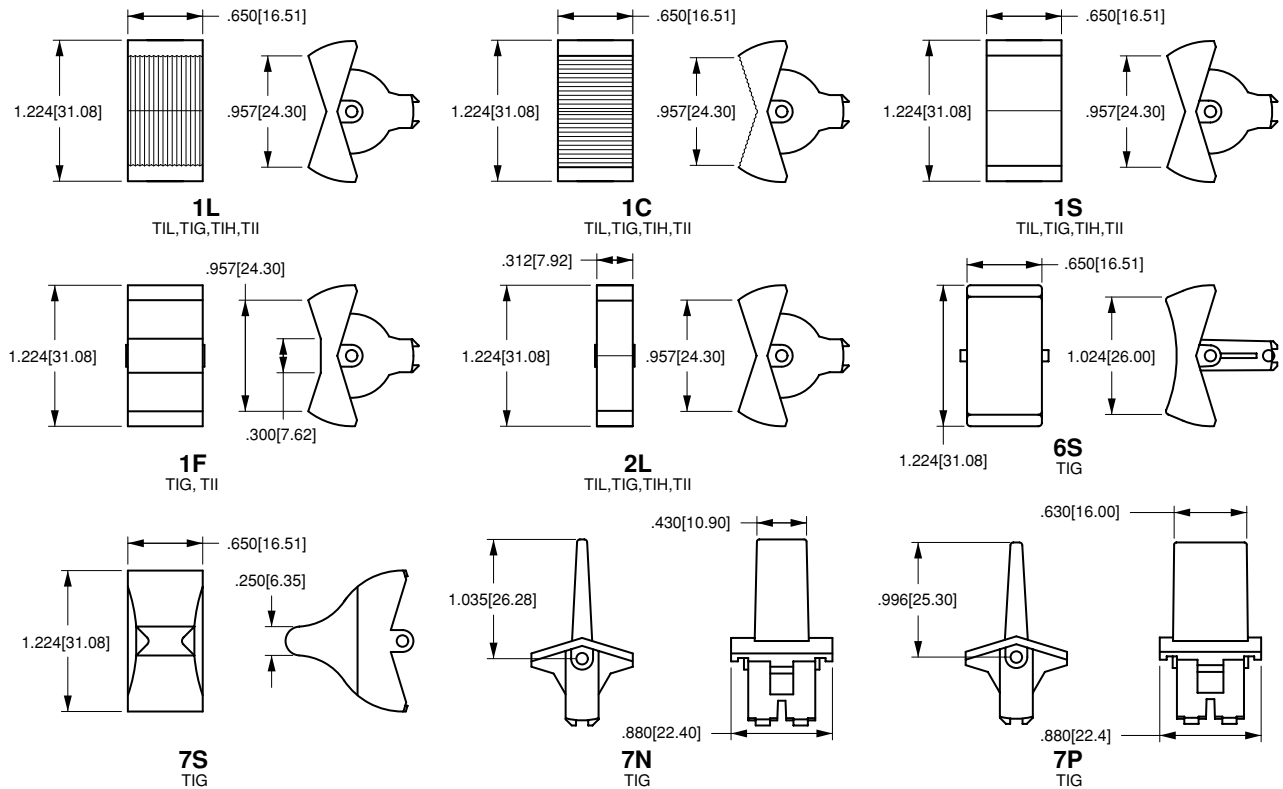


WITH .250 TAB  
TERMINALS  
AND FN BRACKET

**1C**  
TII-SERIES CROSS-LINE W ONE LENS



WITH .250 TAB TERMINALS AND A BRACKET



**Special Circuits for Tippette Rocker Switches**

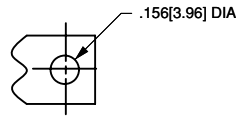
Circuit	Position 1	Position 2	Position 3
Progressive Two Circuit			
GG	BOTH CIRCUITS ON	ONE CIRCUIT ON	OFF
GG	BOTH CIRCUITS (ON)	ONE CIRCUIT ON	OFF
Single Pole Triple Throw			
GE	ON	ON	ON
Two Circuit			
GH	CIRCUIT 1 ON	BOTH CIRCUITS ON	CIRCUIT 2 ON
GP	CIRCUIT 2 ON	CIRCUIT 1 ON	OFF
Reversing Double Pole Double Throw			
GO	ON	OFF	ON
GX	ON	NONE	ON

( ) Indicates momentary function.

**Dimensional Specifications: in. [mm]**



**TAPPED HOLE**  
Standard with  
A & B Brackets



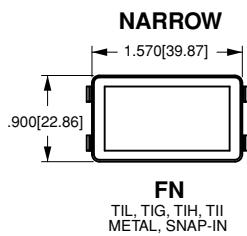
**CLEARANCE HOLE**  
Standard with  
C Bracket



**MOUNTING HOLE**  
(Nylon Snap-in Brackets)  
Panel Thickness:  
.030 min. - .250 max.

\* Angled corners are suggested for optimum fit. Standard rectangular cutout is acceptable.

TIL	TIG	TII	TIH
<p><b>A</b> TIL</p>	<p><b>A</b> TIG</p>	<p><b>A</b> TII</p>	<p><b>A</b> TIH</p>
<p><b>B</b> TIL</p>	<p><b>B</b> TII, TIG</p>		
<p><b>C*</b> TIL</p>	<p><b>C</b> TIG</p>	<p><b>C</b> TIH, TII</p>	





Компания «ЭлектроПласт» предлагает заключение долгосрочных отношений при поставках импортных электронных компонентов на взаимовыгодных условиях!

Наши преимущества:

- Оперативные поставки широкого спектра электронных компонентов отечественного и импортного производства напрямую от производителей и с крупнейших мировых складов;
- Поставка более 17-ти миллионов наименований электронных компонентов;
- Поставка сложных, дефицитных, либо снятых с производства позиций;
- Оперативные сроки поставки под заказ (от 5 рабочих дней);
- Экспресс доставка в любую точку России;
- Техническая поддержка проекта, помощь в подборе аналогов, поставка прототипов;
- Система менеджмента качества сертифицирована по Международному стандарту ISO 9001;
- Лицензия ФСБ на осуществление работ с использованием сведений, составляющих государственную тайну;
- Поставка специализированных компонентов (Xilinx, Altera, Analog Devices, Intersil, Interpoint, Microsemi, Aeroflex, Peregrine, Syfer, Eurofarad, Texas Instrument, Miteq, Cobham, E2V, MA-COM, Hittite, Mini-Circuits, General Dynamics и др.);

Помимо этого, одним из направлений компании «ЭлектроПласт» является направление «Источники питания». Мы предлагаем Вам помощь Конструкторского отдела:

- Подбор оптимального решения, техническое обоснование при выборе компонента;
- Подбор аналогов;
- Консультации по применению компонента;
- Поставка образцов и прототипов;
- Техническая поддержка проекта;
- Защита от снятия компонента с производства.



#### Как с нами связаться

**Телефон:** 8 (812) 309 58 32 (многоканальный)

**Факс:** 8 (812) 320-02-42

**Электронная почта:** [org@eplast1.ru](mailto:org@eplast1.ru)

**Адрес:** 198099, г. Санкт-Петербург, ул. Калинина, дом 2, корпус 4, литера А.