

MAX3160E/MAX3161E/MAX3162E

±15kV ESD-Protected, +3.0V to +5.5V, 10nA, RS-232/RS-485/RS-422 Multiprotocol Transceivers

General Description

The MAX3160E/MAX3161E/MAX3162E are programmable RS-232/RS-485/RS-422 multiprotocol transceivers. The MAX3160E/MAX3161E are pin programmable as a 2Tx/2Rx RS-232 interface or a single RS-485/RS-422 transceiver. The MAX3162E is configured as a 2Tx/2Rx RS-232 interface, and a single RS-485/RS-422 transceiver simultaneously.

The MAX3160E/MAX3161E/MAX3162E feature enhanced electrostatic discharge (ESD) protection. All of the transmitter outputs and receiver inputs are protected to ±15kV using the Human Body Model.

All devices incorporate a proprietary low-dropout transmitter output stage, and an on-board dual charge pump to allow RS-232- and RS-485-/RS-422-compliant performance from a +3V to +5.5V supply. These devices also feature pin-selectable transmitter slew rates for RS-232 and RS-485/RS-422 modes. Slew-rate limiting minimizes EMI and reduces reflections caused by improperly terminated cables, allowing error-free data transmission up to 250kbps. Disabling slew-rate limiting allows these devices to transmit at data rates up to 10Mbps in RS-485/RS-422 mode and up to 1Mbps in RS-232 mode.

The MAX3160E/MAX3162E offer a flow-through pinout that facilitates board layout. The MAX3160E/MAX3161E/MAX3162E are available in tiny SSOP packages and operate up to -40°C to +85°C temperature ranges.

Applications

| | |
|--------------------------|------------------|
| Point-of-Sales Equipment | Peripherals |
| Industrial Controls | Networking |
| RS-232 to RS-485 | Security Systems |
| Interface Converters | |

Ordering Information appears at end of data sheet.

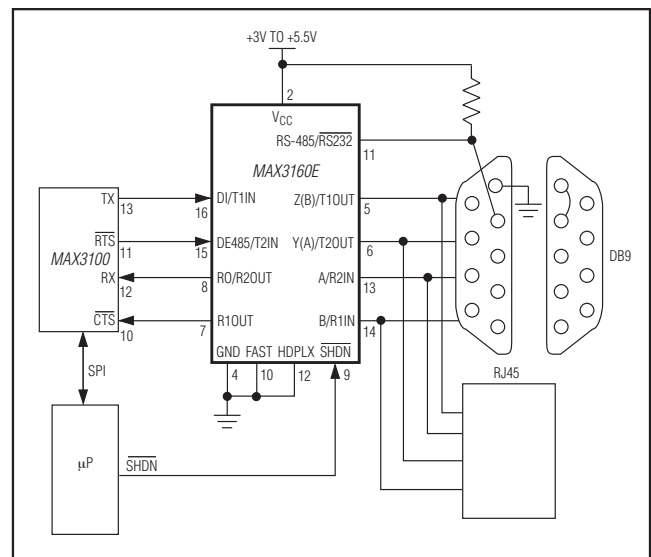
Pin Configurations appear at end of data sheet.

Selector Guide appears at end of data sheet.

Benefits and Features

- Flexible Options for RS-232 and RS-422/485 Operation In One Package
 - Simultaneous 2Tx/2Rx RS-232 and Half-Duplex RS-485 Transceiver Operation (MAX3162E)
 - Pin-Programmable As Either 2Tx/2Rx RS-232 or Half/Full RS-485 Transceiver (MAX3160E, MAX3161E)
- Integrated Protection Increases Robustness
 - High ±15kV ESD HBM per JEDEC JS-001-2012
 - Transmitters and Receivers Protected Against Wiring Faults
 - True Fail-Safe Receiver Prevents False Transition on Receiver Input Short or Open
 - Short-Circuit Protection Over the Entire Common-Mode Voltage Range
 - Thermal Protection from Excessive Power Dissipation
 - Slew Rate Limiting Minimizes EM and Reduces Cable Reflections
- Integrated Charge Pump Circuitry Saves Board Space
 - Eliminates the Need for a Bipolar ±12V Supply
 - Enables Single Supply Operation From +3V to +5.5V Voltage Supply
- 1µA Shutdown Supply Current Saves Power
- Allows Up To 256 Transceivers on the Bus

Typical Operating Circuit



MAX3160E/MAX3161E/MAX3162E

±15kV ESD-Protected, +3.0V to +5.5V, 10nA, RS-232/RS-485/RS-422 Multiprotocol Transceivers

Absolute Maximum Ratings

| | |
|---|-----------------------------------|
| V _{CC} to GND | -0.3V to +6V |
| V+ to GND | -0.3V to +7V |
| V- to GND | -7V to +0.3V |
| V+ - V- (Note 1) | +13V |
| Input Voltages | |
| T1IN, T2IN, DI, DE485, RE485, TE232, RE232, SHDN, FAST, HDPLX, RS485/RS232 to GND | -0.3V to +6V |
| A, B, R1IN, R2IN to GND | ±25V |
| Output Voltages | |
| T1OUT, T2OUT, Y, Z to GND (V _{CC} = 0 or SHDN = GND) | ±13.2V |
| T1OUT, T2OUT to GND (V _{CC} = 5.5V and SHDN = V _{CC}) | -13.2V to +9V |
| R2OUT, R1OUT, RO to GND | -0.3V to (V _{CC} + 0.3V) |

| | |
|---|-----------------|
| Output Short-Circuit Duration | |
| T1OUT, T2OUT, Y, Z | Continuous |
| Continuous Power Dissipation (T _A = +70°C) | |
| 20-Pin SSOP (derate 8.0mW/°C above +70°C) | 640mW |
| 24-Pin SSOP (derate 8.0mW/°C above +70°C) | 640mW |
| 28-Pin SSOP (derate 9.1mW/°C above +70°C) | 727mW |
| Operating Temperature Ranges | |
| MAX316_CA | 0°C to +70°C |
| MAX316_EA | -40°C to +85°C |
| Storage Temperature Range | -65°C to +150°C |
| Junction Temperature | +150°C |
| Lead Temperature (soldering, 10s) | +300°C |

Note 1: V+ and V- can have maximum magnitudes of 7V, but their absolute difference cannot exceed 13V.

Stresses beyond those listed under "Absolute Maximum Ratings" may cause permanent damage to the device. These are stress ratings only, and functional operation of the device at these or any other conditions beyond those indicated in the operational sections of the specifications is not implied. Exposure to absolute maximum rating conditions for extended periods may affect device reliability.

Electrical Characteristics (continued)

(V_{CC} = +3V to +5.5V, C1–C4 = 0.1µF when tested at +3.3V ±10%; C1 = 0.047µF and C2, C3, C4 = 0.33µF when tested at +5V ±10%; T_A = T_{MIN} to T_{MAX}, unless otherwise noted. Typical values are at V_{CC} = +3.3V and T_A = +25°C.) (Note 2)

| PARAMETER | SYMBOL | CONDITIONS | MIN | TYP | MAX | UNITS |
|--|-------------------|---|-----------------------|-------|-----|-------|
| DC CHARACTERISTICS | | | | | | |
| V _{CC} Standby Current | I _{CC} | MAX3160E/MAX3161E, no load, RS-485/RS-232 = GND | | 1.2 | 2.8 | mA |
| | | MAX3160E/MAX3161E, no load, RS-485/RS-232 = V _{CC} | | 2.5 | 5.5 | |
| | | MAX3162E, no load | | 3 | 6 | |
| V _{CC} Shutdown Current | I _{SHDN} | SHDN = GND, receiver inputs open or grounded | | 0.01 | 1 | µA |
| TRANSMITTER AND LOGIC INPUTS (DI, T1IN, T2IN, DE485, RE485, TE232, RE232, FAST, HDPLX, SHDN, RS-485/RS-232) | | | | | | |
| Logic-Input Low | V _{IL} | | | | 0.8 | V |
| Logic-Input High | V _{IH} | V _{CC} = +3.3V | 2.0 | | | V |
| | | V _{CC} = +5V | 2.4 | | | |
| Logic-Input Leakage Current | I _{IHL} | | | ±0.01 | ±1 | µA |
| Transmitter Logic Hysteresis | V _{HYS} | | | 0.5 | | V |
| RS-232 AND RS-485/RS-422 RECEIVER OUTPUTS (R1OUT, R2OUT, RO) | | | | | | |
| Receiver Output-Voltage Low | V _{OL} | I _{OUT} = 2.5mA | | | 0.4 | V |
| Receiver Output-Voltage High | V _{OH} | I _{OUT} = -1.5mA | V _{CC} - 0.6 | | | V |
| Receiver Output Short-Circuit Current | I _{OSR} | 0 ≤ V _O ≤ V _{CC} | | ±20 | ±85 | mA |
| Receiver Output Leakage Current | I _{OZR} | Receivers disabled | | ±0.05 | ±1 | µA |

Electrical Characteristics (continued)

($V_{CC} = +3V$ to $+5.5V$, $C1-C4 = 0.1\mu F$ when tested at $+3.3V \pm 10\%$; $C1 = 0.047\mu F$ and $C2, C3, C4 = 0.33\mu F$ when tested at $+5V \pm 10\%$; $T_A = T_{MIN}$ to T_{MAX} , unless otherwise noted. Typical values are at $V_{CC} = +3.3V$ and $T_A = +25^\circ C$.) (Note 2)

| PARAMETER | SYMBOL | CONDITIONS | | MIN | TYP | MAX | UNITS | |
|--|-------------------|--|----------------------------|-----------------|------|-------|------------|--------|
| RS-232 RECEIVER INPUTS (R1IN, R2IN) | | | | | | | | |
| Input Voltage Range | | | | -25 | | +25 | V | |
| Logic-Input Low | | | | | | 0.8 | | |
| Logic-input High | | | $V_{CC} = +3.3V$ | 2.0 | | | V | |
| | | | $V_{CC} = +5V$ | 2.4 | | | | |
| Input Hysteresis | | | | | 0.5 | | V | |
| Input Resistance | | | $V_{CC} = +3.0V$ to $5.5V$ | 3 | 5 | 7 | k Ω | |
| | | | $V_{CC} = 0$ | 6 | 11 | 16 | | |
| RS-485/RS-422 RECEIVER INPUTS (Note 3) | | | | | | | | |
| Input Resistance | R_{IN} | $-7V < V_{CM} < +12V$ | MAX3160E | 48 | | | k Ω | |
| | | | MAX3161E/ MAX3162E | 96 | | | | |
| Input Current | I_{IN} | MAX3160E | $V_{CM} = +12V$ | | | 0.25 | mA | |
| | | | $V_{CM} = -7V$ | | | -0.15 | | |
| | | | MAX3161E/MAX3162E | $V_{CM} = +12V$ | | | | 0.125 |
| | | | | $V_{CM} = -7V$ | | | | -0.075 |
| Input Differential Threshold | V_{TH} | $-7V \leq V_{CM} \leq +12V$ | | -200 | | -50 | mV | |
| Input Hysteresis | ΔV_{TH} | | | | 30 | | mV | |
| RS-232 TRANSMITTER OUTPUTS (T1OUT, T2OUT) | | | | | | | | |
| Output Voltage Swing | | Both transmitter outputs loaded with 3k Ω to GND | | ±5 | ±5.4 | | V | |
| Output Resistance | | $V_{CC} = V_+ = V_- = 0$, $T_{OUT} = \pm 2V$ | | 300 | 10M | | Ω | |
| Output Short-Circuit Current | I_{SC} | $T_{OUT} = GND$ | | | ±30 | ±60 | mA | |
| Output Leakage Current | I_O | $V_{OUT} = \pm 9V$ $TE232 = GND$ or $\overline{SHDN} = GND$ | MAX3160E | | | ±125 | μA | |
| | | | MAX3161E | | | ±25 | | |
| | | | MAX3162E | | | ±25 | | |
| RS-485/RS-422 TRANSMITTER OUTPUTS (Y, Z) | | | | | | | | |
| Differential Output Voltage | V_{OD} | Figure 1 | $R = 27\Omega$ (RS-485) | 1.5 | | | V | |
| | | | $R = 50\Omega$ (RS-422) | 2 | | | | |
| Change in Magnitude of Differential Output Voltage for Complementary Output States | $ \Delta V_{OD} $ | $R = 27\Omega$ or 50Ω , Figure 1 | | | | 0.2 | V | |
| Common-Mode Output Voltage | V_{OC} | $R = 27\Omega$ or 50Ω , Figure 1 | | | | 3 | V | |
| Change in Magnitude of Common-Mode Output Voltage for Complementary Output States | $ \Delta V_{OC} $ | $R = 27\Omega$ or 50Ω , Figure 1 | | | | 0.2 | V | |

Electrical Characteristics (continued)

($V_{CC} = +3V$ to $+5.5V$, C_1 – $C_4 = 0.1\mu F$ when tested at $+3.3V \pm 10\%$; $C_1 = 0.047\mu F$ and $C_2, C_3, C_4 = 0.33\mu F$ when tested at $+5V \pm 10\%$; $T_A = T_{MIN}$ to T_{MAX} , unless otherwise noted. Typical values are at $V_{CC} = +3.3V$ and $T_A = +25^\circ C$.) (Note 2)

| PARAMETER | SYMBOL | CONDITIONS | MIN | TYP | MAX | UNITS |
|--|----------------------|--|------------------------------|------|------|-------|
| Output Short-Circuit Current | I_{SC} | V_Y or $V_Z = -7V$ to $+12V$ | | | ±250 | mA |
| Output Leakage Current | I_O | V_Y or $V_Z = -7V$ or $+12V$, DE485 = GND or $\overline{SHDN} =$ GND | MAX3160E | | ±125 | μA |
| | | | MAX3161E | | ±25 | |
| | | | MAX3162E | | ±25 | |
| RS-232 TRANSMITTER TIMING CHARACTERISTICS (SLOW MODE, FAST = GND, 250kbps, one transmitter switching) | | | | | | |
| Maximum Data Rate | | $R_L = 3k\Omega$, $C_L = 1000pF$ | 250 | | | kbps |
| Transmitter Skew | t_{SKEW} | $R_L = 3k\Omega$, $C_L = 150pF$, Figure 6 | | 25 | | ns |
| Transition-Region Slew Rate | | $V_{CC} = +3.3V$, $T_A = +25^\circ C$, $R_L = 3k\Omega$ to $7k\Omega$, measured from $+3.0V$ to $-3.0V$ or $-3.0V$ to $+3.0V$ | $C_L = 150pF$ to $1000pF$ | 6 | 30 | V/μs |
| | | | $C_L = 150pF$ to $2500pF$ | 4 | 30 | |
| RS-232 TRANSMITTER TIMING CHARACTERISTICS (FAST MODE, FAST = V_{CC}, 1Mbps, one transmitter switching) | | | | | | |
| Maximum Data Rate | | $V_{CC} = +3V$ to $+4.5V$, $R_L = 3k\Omega$, $C_L = 250pF$ | 1 | | | Mbps |
| | | $V_{CC} = +4.5V$ to $+5.5V$, $R_L = 3k\Omega$, $C_L = 1000pF$ | 1 | | | |
| Transmitter Skew | t_{SKEW} | $R_L = 3k\Omega$, $C_L = 150pF$, Figure 6 | | 10 | | ns |
| Transition-Region Slew Rate | | $V_{CC} = +3.3V$, $T_A = +25^\circ C$, $R_L = 3k\Omega$ to $7k\Omega$, $C_L = 150pF$ to $1000pF$, measured from $+3.0V$ to $-3.0V$ or $-3.0V$ to $+3.0V$ | MAX3160E | 13 | 150 | V/μs |
| | | | MAX3161E MAX3162E | 24 | 150 | |
| RS-232 RECEIVER TIMING CHARACTERISTICS | | | | | | |
| Receiver Propagation Delay | t_{PHL}, t_{PLH} | R_{IN} to R_{OUT} , $C_L = 15pF$, Figure 5 | | 0.15 | | μs |
| Receiver Output Enable Time | t_{RZL}, t_{RZH} | $C_L = 50pF$, Figures 2, 10, MAX3162E | | 200 | | ns |
| Receiver Output Disable Time | t_{RLZ}, t_{RHZ} | $C_L = 15pF$, Figures 2, 10, MAX3162E | | 200 | | ns |
| Receiver Skew | t_{RSKEW} | $C_L = 50pF$, Figure 5 | | 100 | | ns |
| RS-485/RS-422 DRIVER TIMING CHARACTERISTICS (SLOW MODE, FAST = GND, 250kbps) | | | | | | |
| Differential Driver Propagation Delay | t_{DPHL}, t_{DPLH} | $R_{DIFF} = 54\Omega$, $C_L = 50pF$, Figures 3, 7 | 200 | 400 | 800 | ns |
| Differential Driver Rise and Fall Time | t_{DR}, t_{DF} | $R_{DIFF} = 54\Omega$, $C_L = 50pF$, Figures 3, 7 | 200 | 400 | 800 | ns |
| Differential Driver Propagation Delay Skew | t_{DSKEW} | $R_{DIFF} = 54\Omega$, $C_L = 50pF$, Figures 3, 7 | | | 200 | ns |
| Driver Output Enable Time | t_{DZH}, t_{DZL} | $C_L = 50pF$, Figures 4, 8 | | 400 | 900 | ns |
| Driver Output Disable Time | t_{DLZ}, t_{DHZ} | $C_L = 50pF$, Figures 4, 8 | | 200 | 400 | ns |

Electrical Characteristics (continued)

(V_{CC} = +3V to +5.5V, C₁–C₄ = 0.1μF when tested at +3.3V ±10%; C₁ = 0.047μF and C₂, C₃, C₄ = 0.33μF when tested at +5V±10%; T_A = T_{MIN} to T_{MAX}, unless otherwise noted. Typical values are at V_{CC} = +3.3V and T_A = +25°C.) (Note 2)

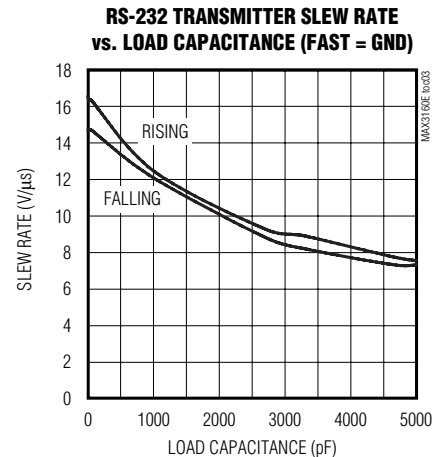
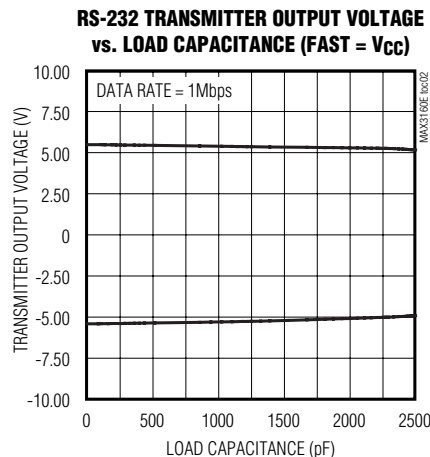
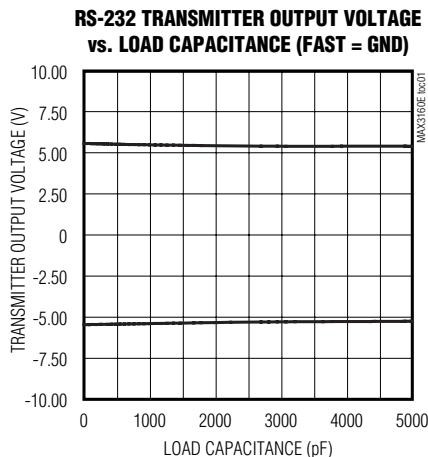
| PARAMETER | SYMBOL | CONDITIONS | MIN | TYP | MAX | UNITS |
|--|---------------------------------------|--|-----|-----|-----|-------|
| RS-485/RS-422 DRIVER TIMING CHARACTERISTICS FAST MODE, FAST = V_{CC}, 10Mbps) | | | | | | |
| Differential Driver Propagation Delay | t _{DPHL} , t _{DPLH} | R _{DIFF} = 54Ω, C _L = 50pF, Figures 3, 7 | | 60 | 120 | ns |
| Differential Driver Rise and Fall Times | t _{DR} , t _{DF} | R _{DIFF} = 54Ω, C _L = 50pF, Figures 3, 7 | | 10 | 25 | ns |
| Differential Driver Propagation Delay Skew | t _{DSKEW} | R _{DIFF} = 54Ω, C _L = 50pF, Figures 3, 7 | | | 10 | ns |
| Driver Output Enable Time | t _{DZH} , t _{DZL} | C _L = 50pF, Figures 4, 8 | | 400 | 900 | ns |
| Driver Output Disable Time | t _{DHZ} , t _{DLZ} | C _L = 50pF, Figures 4, 8 | | 200 | 400 | ns |
| RS-485/RS-422 RECEIVER TIMING CHARACTERISTICS | | | | | | |
| Receiver Propagation Delay | t _{RPLH} , t _{RPHL} | C _L = 15pF, Figures 9, 11 | | 80 | 150 | ns |
| Receiver Propagation Delay Skew | t _{RSKEW} | C _L = 15pF, Figures 9, 11 | | 1 | 10 | ns |
| Receiver Output Enable Time | t _{RZL} , t _{RZH} | MAX3162E, C _L = 50pF, Figures 2, 10 | | 100 | | ns |
| Receiver Output Disable Time | t _{RLZ} , t _{RHZ} | MAX3162E, C _L = 15pF, Figures 2, 10 | | 100 | | ns |
| ESD PROTECTION | | | | | | |
| R _{IN} , T _{OUT} , A, B, Y, Z | | Human Body Model | | ±15 | | kV |

Note 2: All currents into the device are positive. All currents out of the device are negative.

Note 3: Applies to A, B for MAX3162E and MAX3160E/MAX3161E with HDPLX = GND, or Y, Z for MAX3160E/MAX3161E with HDPLX = V_{CC}.

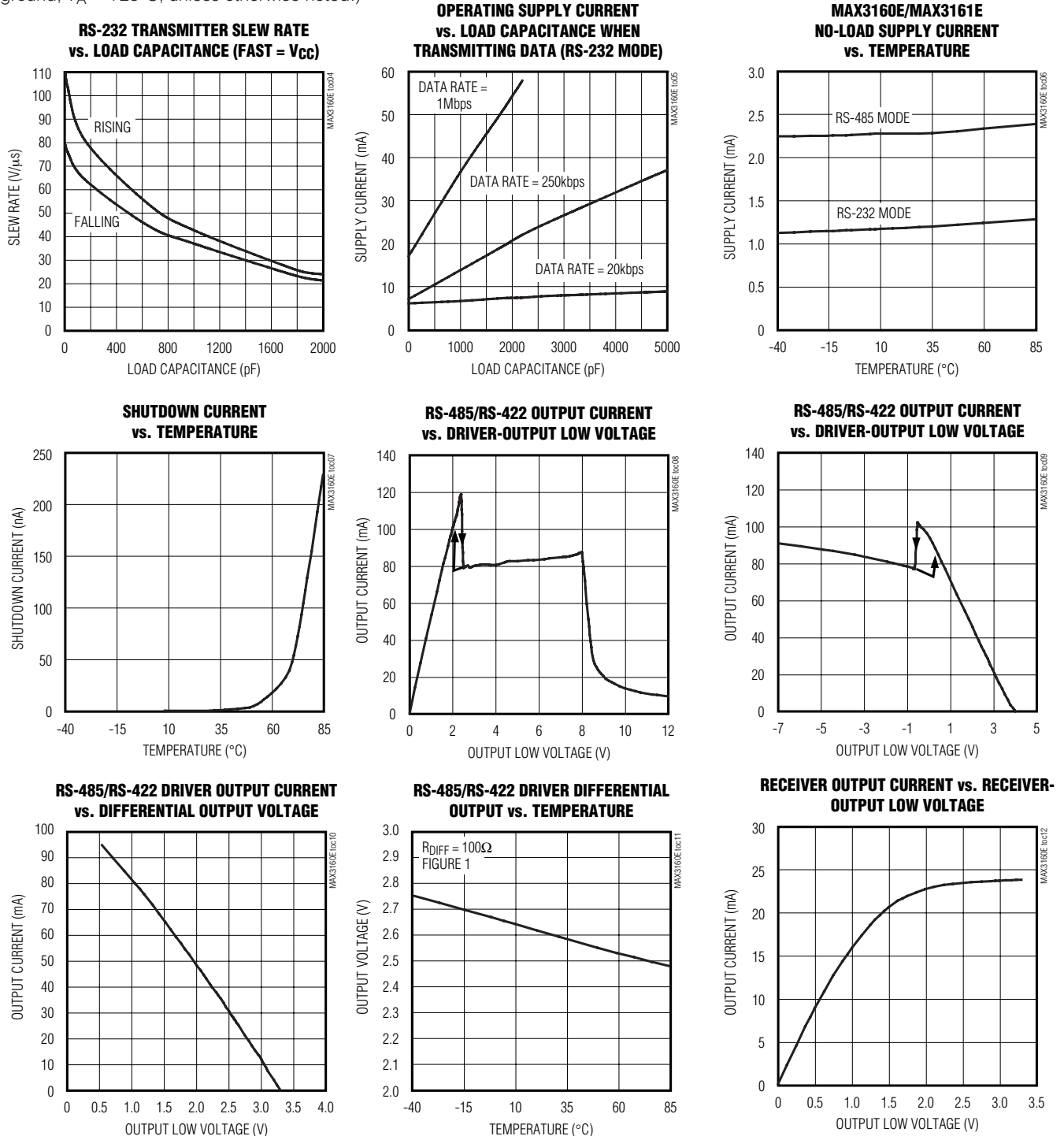
Typical Operating Characteristics

(V_{CC} = +3.3V, 250kbps data rate, C_{BYPASS}, C₁, C₂, C₃, C₄ = 0.1μF, all RS-232 transmitters (RS-232 mode) loaded with 3kΩ to ground, T_A = +25°C, unless otherwise noted.)



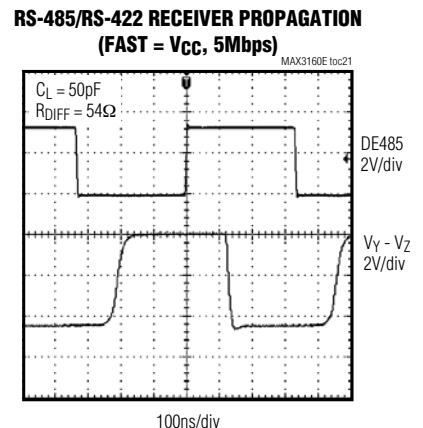
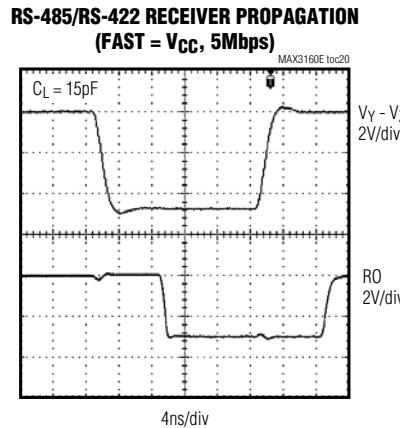
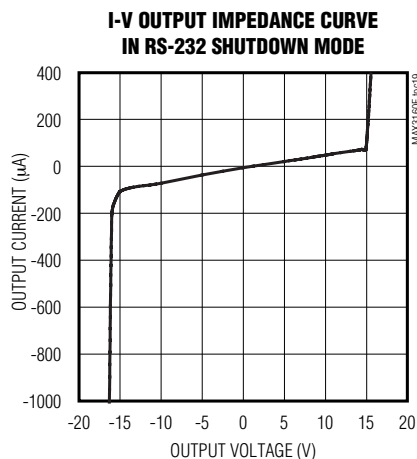
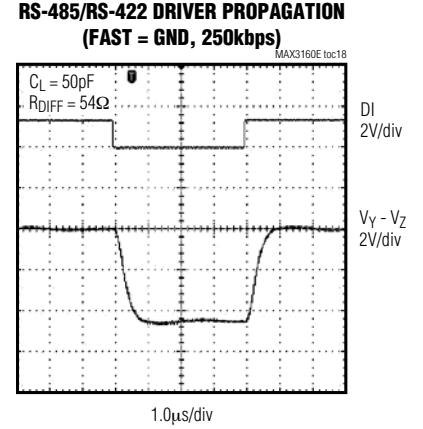
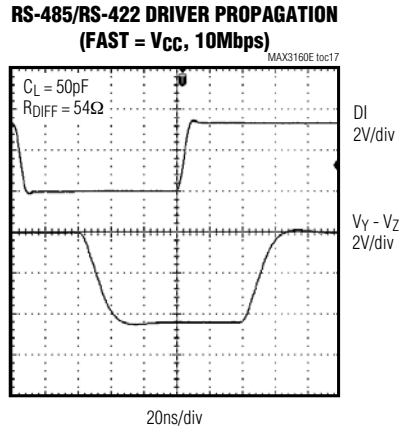
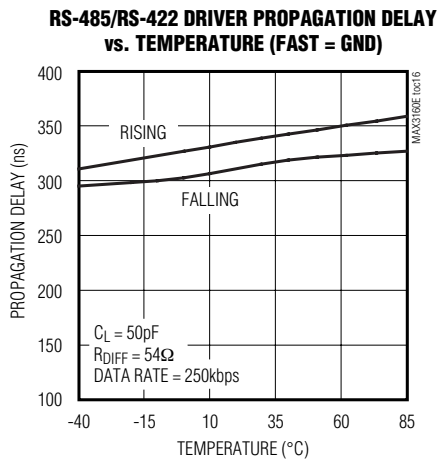
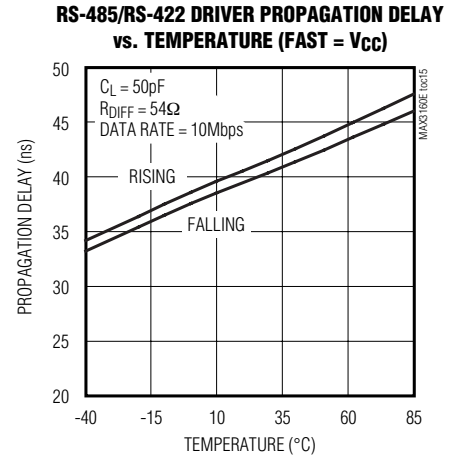
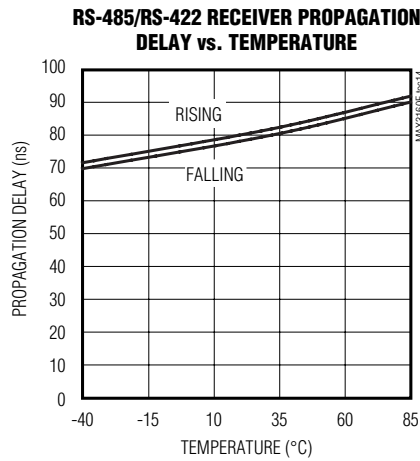
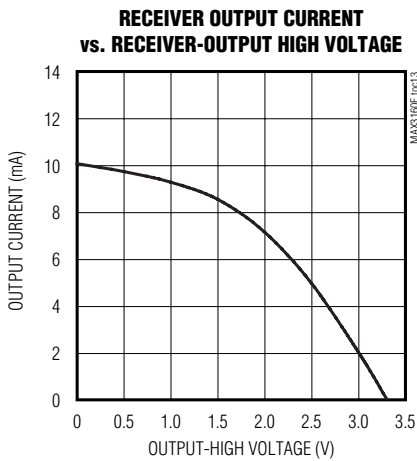
Typical Operating Characteristics (continued)

(V_{CC} = +3.3V, 250kbps data rate, C_{BYPASS}, C₁, C₂, C₃, C₄ = 0.1µF, all RS-232 transmitters (RS-232 mode) loaded with 3kΩ to ground, T_A = +25°C, unless otherwise noted.)



Typical Operating Characteristics (continued)

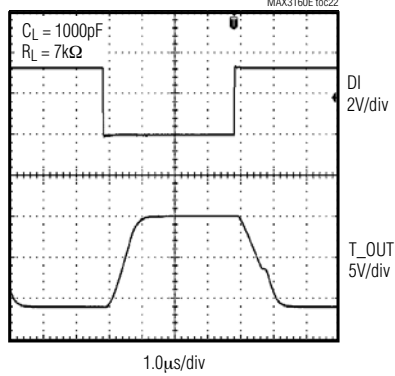
(V_{CC} = +3.3V, 250kbps data rate, C_{BYPASS}, C1, C2, C3, C4 = 0.1µF, all RS-232 transmitters (RS-232 mode) loaded with 3kΩ to ground, T_A = +25°C, unless otherwise noted.)



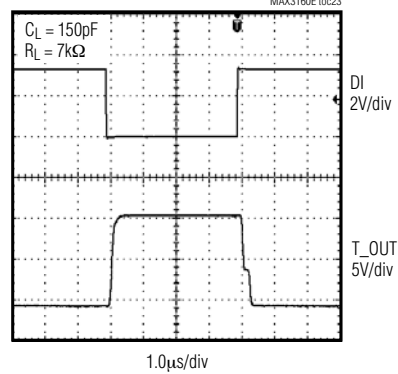
Typical Operating Characteristics (continued)

(V_{CC} = +3.3V, 250kbps data rate, C_{BYPASS}, C1, C2, C3, C4 = 0.1µF, all RS-232 transmitters (RS-232 mode) loaded with 3kΩ to ground, T_A = +25°C, unless otherwise noted.)

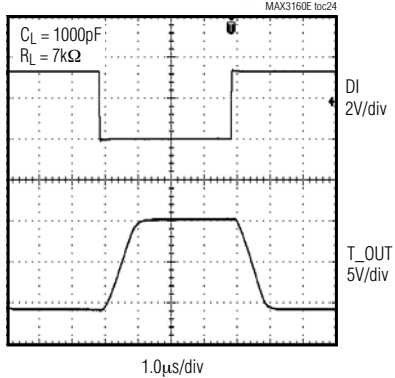
MAX3160E
RS-232 TRANSMITTER PROPAGATION
(FAST = GND, 250kbps)



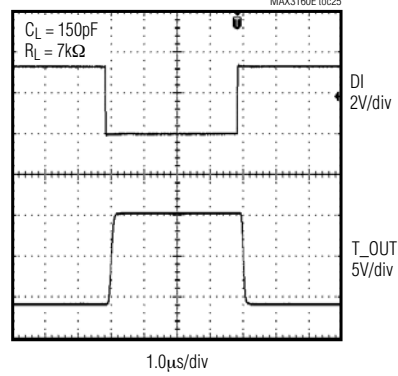
MAX3160E
RS-232 TRANSMITTER PROPAGATION
(FAST = V_{CC}, 250kbps)



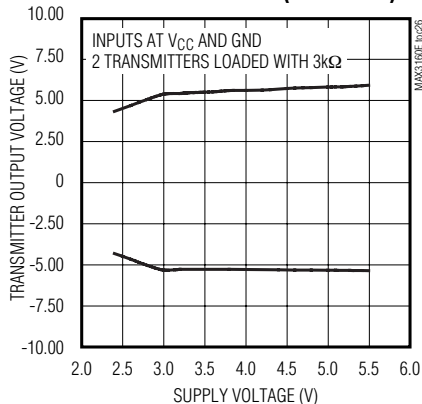
MAX3161E/MAX3162E
RS-232 TRANSMITTER PROPAGATION
(FAST = GND, 250kbps)



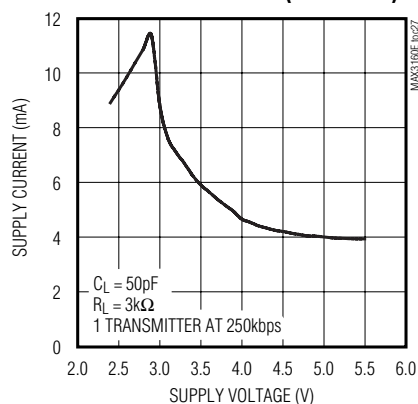
MAX3161E/MAX3162E
RS-232 TRANSMITTER PROPAGATION
(FAST = V_{CC}, 250kbps)



TRANSMITTER OUTPUT VOLTAGE vs. SUPPLY VOLTAGE (FAST = GND)



SUPPLY CURRENT vs. SUPPLY VOLTAGE WITH RS-232 RUNNING (FAST = GND)



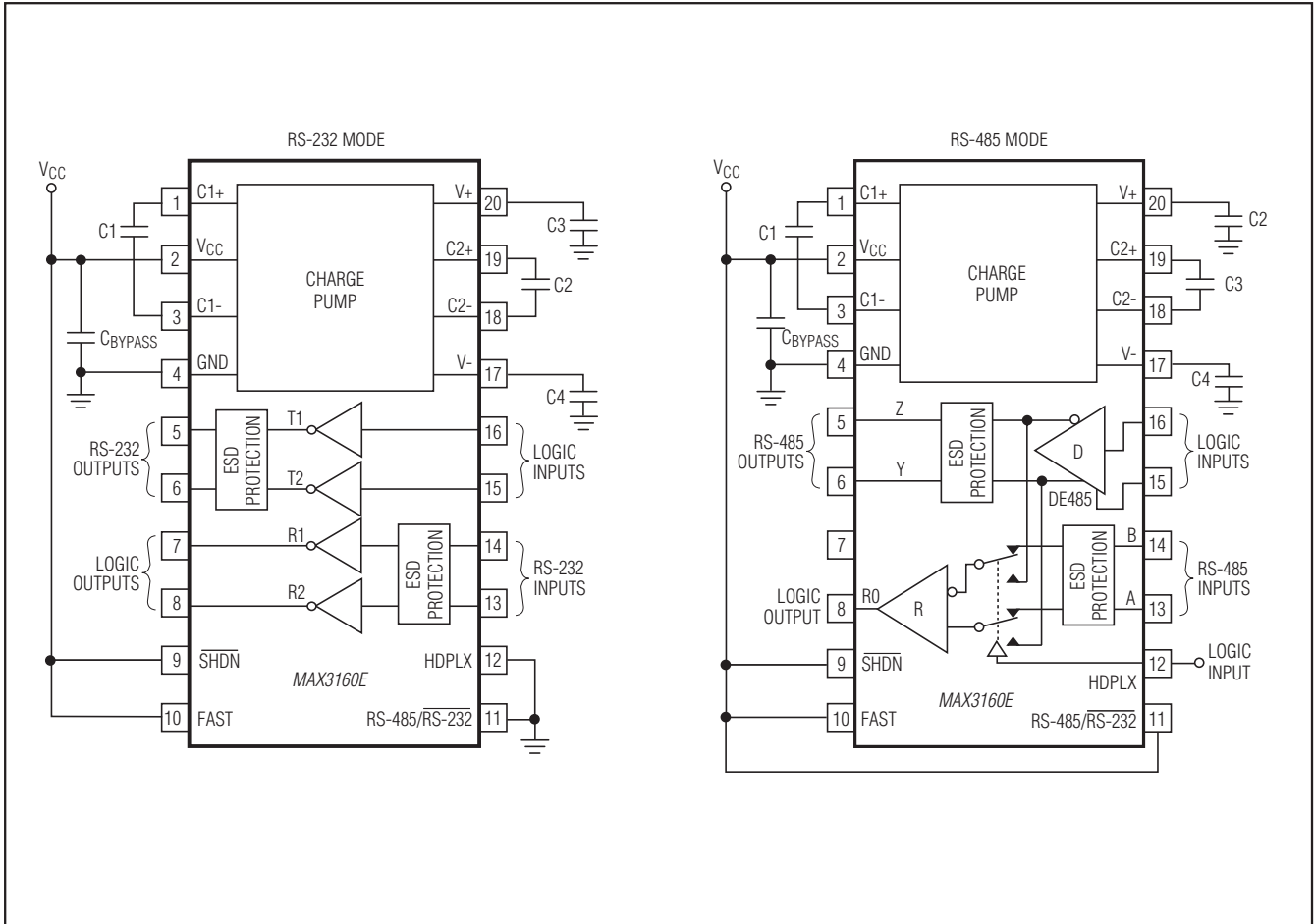
Pin Description

| PIN | | | NAME | FUNCTION |
|----------|----------|----------|-----------------------------------|---|
| MAX3160E | MAX3161E | MAX3162E | | |
| 1 | 1 | 1 | C1+ | Positive Terminal of the Positive Flying Capacitor |
| 2 | 2 | 2 | V _{CC} | Positive Supply Voltage |
| 3 | 3 | 3 | C1- | Negative Terminal of the Positive Flying Capacitor |
| 4 | 4 | 4 | GND | Ground |
| — | 5 | 5 | T1OUT | RS-232 Driver Output |
| 5 | — | — | Z(B)/T1OUT | Inverting RS-485/RS-422 Driver Output in Full-Duplex Mode (and Inverting RS-485/RS-422 Receiver Input in Half-Duplex Mode)/RS-232 Driver Output |
| — | — | 6 | Z | Inverting RS-485/RS-422 Driver Output |
| — | 6 | — | Z(B) | Inverting RS-485/RS-422 Driver Output in Full-Duplex Mode (and Inverting RS-485/RS-422 Receiver Input in Half-Duplex Mode) |
| 6 | — | — | Y(A)/T2OUT | Noninverting RS-485/RS-422 Driver Output in Full-Duplex Mode (and Noninverting RS-485/RS-422 Receiver Input in Half-Duplex Mode)/RS-232 Driver Output |
| — | — | 7 | Y | Noninverting RS-485/RS-422 Driver Output |
| — | 7 | — | Y(A) | Noninverting RS-485/RS-422 Driver Output in Full-Duplex Mode (and Noninverting RS-485/RS-422 Receiver Input in Half-Duplex Mode) |
| 7 | 9 | 9 | R1OUT | RS-232 Receiver Output |
| — | 8 | 8 | T2OUT | RS-232 Driver Output |
| 8 | 10 | — | RO/R2OUT | RS-485/RS-422 Receiver Output/RS-232 Receiver Output |
| 9 | 11 | 13 | $\overline{\text{SHDN}}$ | Active-Low Shutdown-Control Input. Drive $\overline{\text{SHDN}}$ low to shut down transmitters and charge pump. |
| — | — | 10 | R2OUT | RS-232 Driver Output |
| 10 | 12 | 14 | FAST | Transmitter Speed-Select Input. Select slew-rate limiting for RS-232 and RS-485/RS-422. Slew-rate limits with a logic-level low. |
| — | — | 11 | RO | RS-485/RS-422 Receiver Output |
| 11 | 13 | — | $\overline{\text{RS-485/RS-232}}$ | Pin-Selectable Mode Functionality Input. Operates as RS-485/RS-422 with a logic-level high; operates as RS-232 with a logic-level low. |
| — | — | 12 | $\overline{\text{RE485}}$ | RS-485/RS-422 Receiver Enable Input. Logic-level low enables RS-485/RS-422 receivers. |
| 12 | 14 | — | HDPLX | Pin-Selectable Mode Functionality Input. Operates in full-duplex mode when low; operates in half-duplex mode when high. |

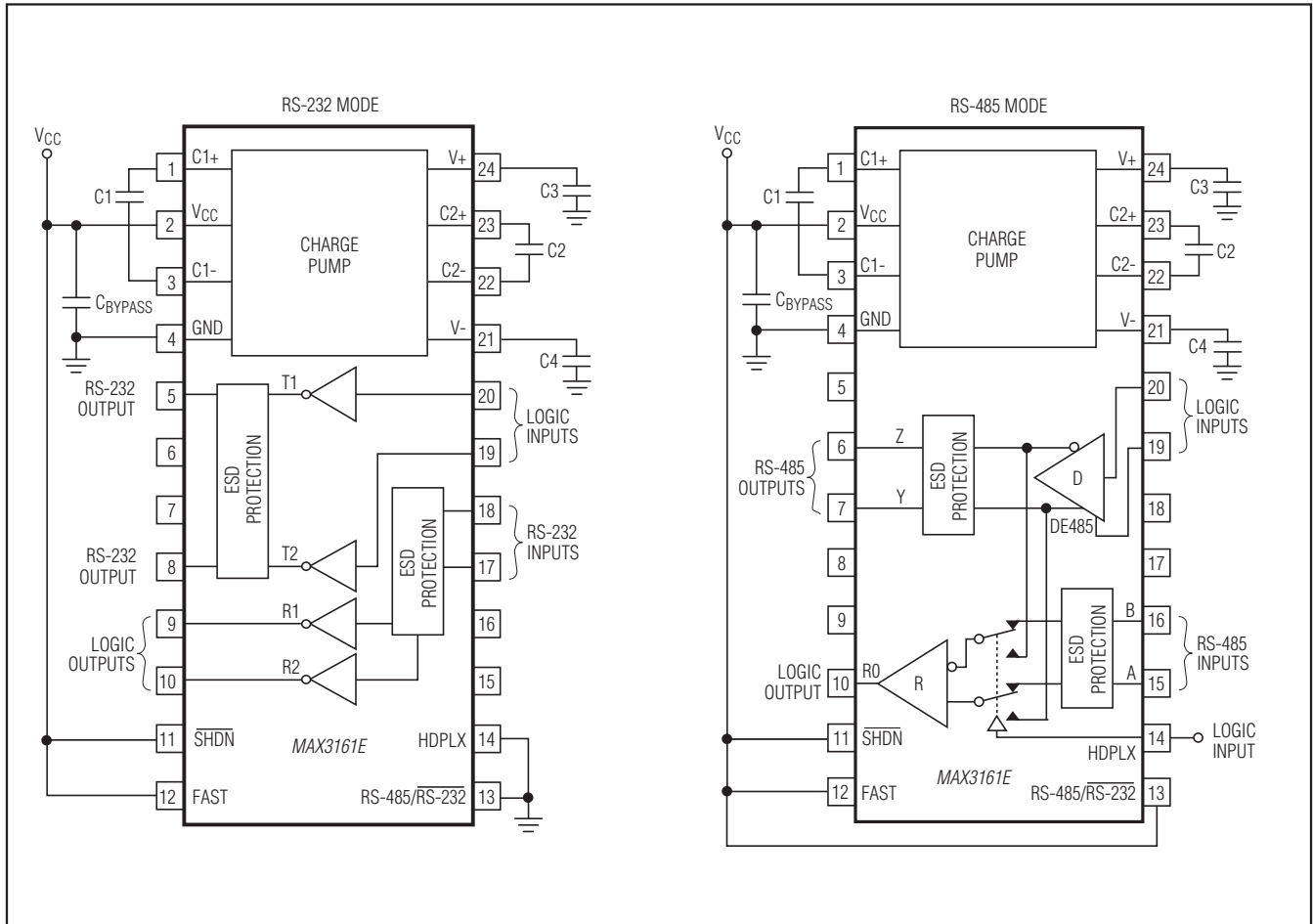
Pin Description (continued)

| PIN | | | NAME | FUNCTION |
|----------|----------|----------|--------------------|---|
| MAX3160E | MAX3161E | MAX3162E | | |
| 13 | — | — | A/R2IN | Noninverting RS-485/RS-422 Receiver Input/RS-232 Receiver Input |
| 14 | — | — | B/R1IN | Inverting RS-485/RS-422 Receiver Input/RS-232 Receiver Input |
| — | — | 15 | $\overline{RE232}$ | RS-232 Receiver Enable. Logic-level low enables RS-232 receivers. |
| — | 15 | 17 | A | Noninverting RS-485/RS-422 Receiver Input |
| 15 | 19 | — | DE485/T2IN | RS-485/RS-422 Driver Enable/RS-232 Driver Input |
| — | — | 16 | TE232 | RS-232 Transmitter Output Enable |
| — | 16 | 18 | B | Inverting RS-485/RS-422 Receiver Input |
| 16 | 20 | — | DI/T1IN | RS-485/RS-422 Driver Input/RS-232 Driver Input |
| — | 17 | 19 | R2IN | RS-232 Receiver Input |
| 17 | 21 | 25 | V- | Negative Charge-Pump Rail |
| — | 18 | 20 | R1IN | RS-232 Receiver Input |
| 18 | 22 | 26 | C2- | Negative Terminal of the Negative Flying Capacitor |
| 19 | 23 | 27 | C2+ | Positive Terminal of the Negative Flying Capacitor |
| 20 | 24 | 28 | V+ | Positive Charge-Pump Rail |
| — | — | 21 | T2IN | RS-232 Driver Input |
| — | — | 22 | DE485 | RS-485/RS-422 Driver Enable Input |
| — | — | 23 | DI | RS-485/RS-422 Driver Input |
| — | — | 24 | T1IN | RS-232 Driver Input |

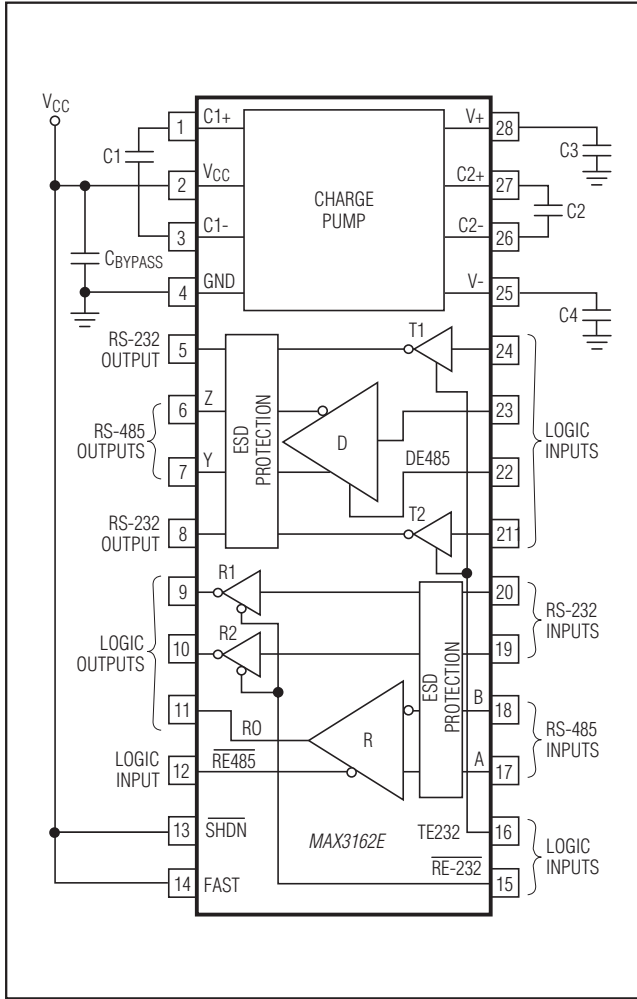
MAX3160E Functional Diagram



MAX3161E Functional Diagram



MAX3162E Functional Diagram



Test Circuits

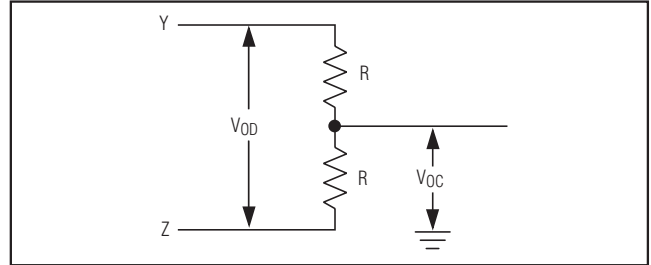


Figure 1. RS-485/RS-422 Driver DC Test Load

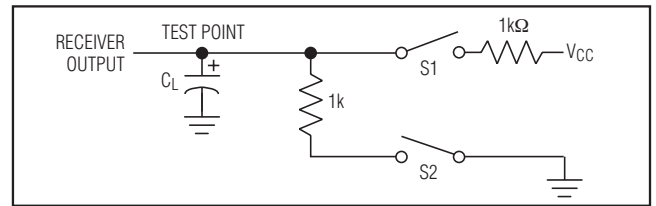


Figure 2. RS-485/RS-422 and RS-232 Receiver Enable/Disable Timing Test Load

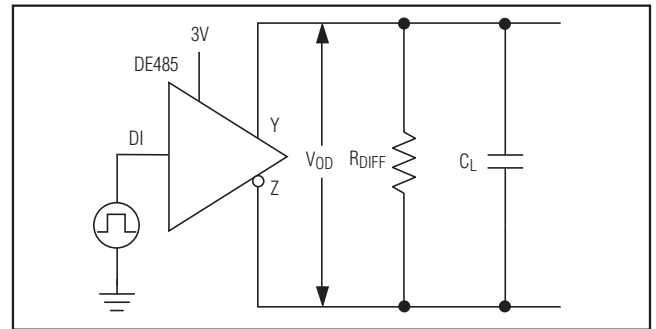


Figure 3. RS-485/RS-422 Driver Timing Test Circuit

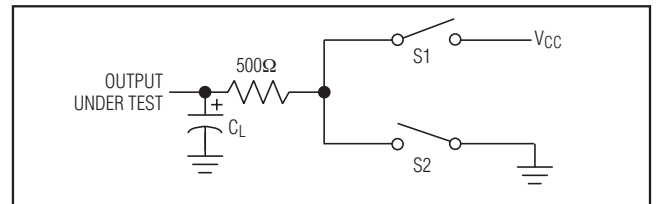


Figure 4. RS-485/RS-422 Driver Enable/Disable Timing Test Load

MAX3160E/MAX3161E/MAX3162E

±15kV ESD-Protected, +3.0V to +5.5V, 10nA, RS-232/RS-485/RS-422 Multiprotocol Transceivers

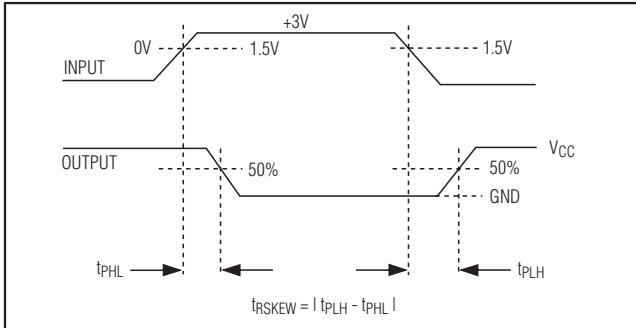


Figure 5. RS-232 Receiver Propagation-Delay Timing

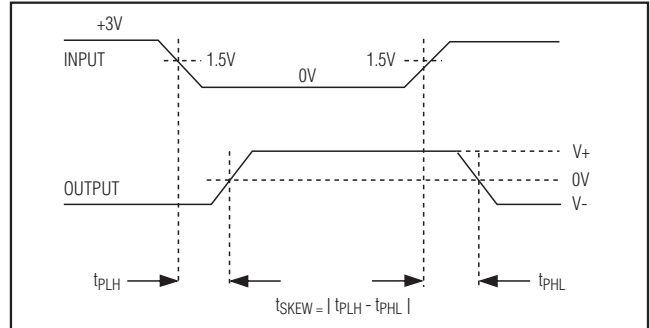


Figure 6. RS-232 Transmitter Propagation-delay Timing

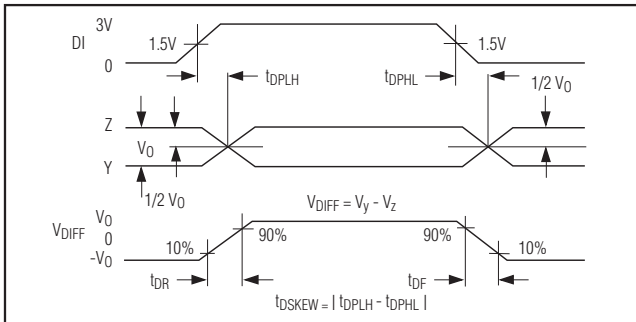


Figure 7. RS-485/RS-422 Driver Propagation Delays

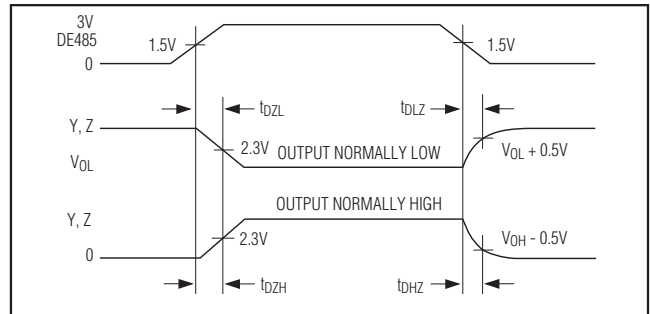


Figure 8. RS-485/RS-422 Driver Enable and Disable Times

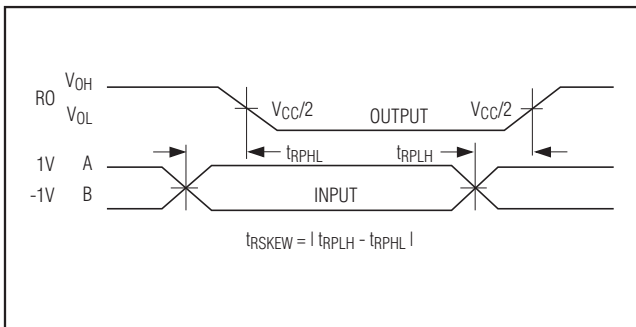


Figure 9. RS-485/RS-422 Receiver Propagation Delays

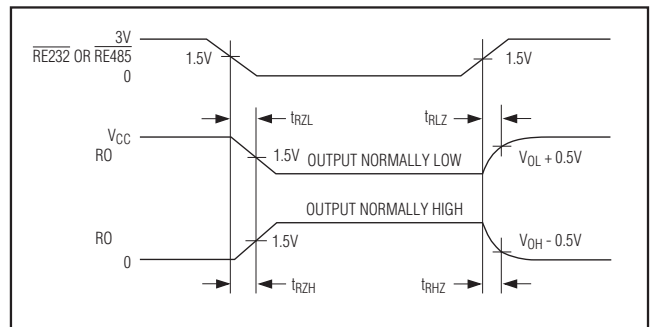


Figure 10. MAX3162 RS-485/RS-422 and RS-232 Receiver Enable and Disable Times

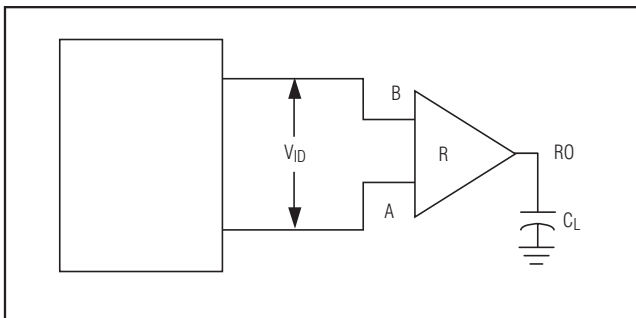


Figure 11. RS-485/RS-422 Receiver Propagation Delays Test Circuit

MAX3160E/MAX3161E/MAX3162E

±15kV ESD-Protected, +3.0V to +5.5V, 10nA, RS-232/RS-485/RS-422 Multiprotocol Transceivers

Detailed Description

The MAX3160E/MAX3161E/MAX3162E +3V to +5.5V, multiprotocol transceivers can be pin-configured in a number of RS-232 and RS-485/RS-422 interface combinations. These circuit configurations are ideal for the design of RS-232 to RS-485 converters, multiprotocol buses, or any application that requires both RS-232 and RS-485 transceivers. The slew rate of these devices is on-the-fly pin selectable, allowing reduced EMI data rates, or up to 10Mbps RS-485 communications. Power consumption can be reduced to 10nA by using the shutdown function, but the RS-232 receivers remain active allowing other devices to query the interface controller. A flow-through pinout and the space-saving SSOP packages (available in commercial and extended temperature ranges) facilitate board layout.

Device Selection

The MAX3160E/MAX3161E/MAX3162E contain RS-232 transceivers and an RS-485/RS-422 transceiver. The primary difference between the devices is the multiplexing of the I/O ports.

The MAX3160E has common transmitter outputs and receiver inputs for its RS-232 and RS-485/RS-422 transceivers, and common digital I/O ports. The MAX3160E is optimized for multiprotocol operation on a single interface bus and comes in a 20-pin SSOP package.

The MAX3161E has separate transmitter outputs and receiver inputs for its RS-232 and RS-485/RS-422 transceivers, and common digital I/O ports. The MAX3161E is optimized for multiplexing a single UART across two interface buses and is available in a 24-pin SSOP package.

The MAX3162E has separate transmitter outputs and receiver inputs for its RS-232 and RS-485/RS-422 transceivers, and separate digital I/O ports. The MAX3162E is optimized for protocol translation between two interface buses and comes in a 28-pin SSOP package.

See Tables 1–12, the *Functional Diagrams*, and the following descriptions for details on each device.

MAX3160E

The MAX3160E is a 2Tx/2Rx RS-232 transceiver in RS-232 mode, capable of RS-232-compliant communication. Assertion of RS-485/RS-422 converts the device to a single RS-485 transceiver by multiplexing the RS-232 I/O ports to an RS-485 driver and receiver pair. The logic inputs now control the driver input and the driver enable. One logic output carries the RS-485 receiver output, and the other is tri-stated. The receiver input impedance is dependent on the device mode and is 1/4-unit load for RS-485 operation and 5kΩ for RS-232 operation.

MAX3161E

The MAX3161E is a 2Tx/2Rx RS-232 transceiver in RS-232 mode or a single RS-485/RS-422 transceiver in RS-485 mode. When in RS-485 mode, the unused RS-232 transmitter and receiver outputs are disabled. When in RS-232 mode, the RS-485 transmitter outputs are disabled and the RS-232 receiver inputs are 5kΩ to GND. The RS-485 receiver inputs are always 1/8-unit load. Logic lines are shared between the two protocols and are used for signal inputs and as an RS-485 driver enable.

MAX3162E

The MAX3162E is a 2Tx/2Rx RS-232 transceiver and a single RS-485/RS-422 transceiver simultaneously. All drivers, receivers, and transmitters can be enabled or disabled by pin selection. All outputs are high-impedance when not activated. RS-232 receiver inputs are 5kΩ when enabled, and RS-485 receiver inputs are 1/8-unit load.

Fast-Mode Operation

The FAST control input is used to select the slew-rate limiting of the RS-232 transmitters and the RS-485/RS-422 drivers. With FAST unasserted, the RS-232 transmitters and the RS-485/RS-422 driver are slew-rate limited to reduce EMI. RS-232 data rates up to 1Mbps and RS-485/RS-422 data rates up to 10Mbps are possible when FAST is asserted. FAST can be changed during operation without interrupting data communications.

Half-Duplex RS-485/RS-422 Operation

Asserting HDPLX places the MAX3160E/MAX3161E in half-duplex mode. The RS-485 receiver inputs are internally connected to the driver outputs. To receive RS-485 data, disable the RS-485 outputs by driving DE485 low. HDPLX has no effect on RS-232 operation.

Low-Power Shutdown

The MAX3160E/MAX3161E/MAX3162E have an active-low shutdown control input, $\overline{\text{SHDN}}$. When $\overline{\text{SHDN}}$ is driven low, the charge pump and transmitters are shut down and supply current is reduced to 10nA. The RS-232 receiver outputs remain active if in RS-232 mode. The charge-pump capacitors must be recharged when coming out of shutdown before resuming operation in either RS-232 or RS-485/RS-422 mode (Figure 12).

Dual Charge-Pump Voltage Converter

The MAX3160E/MAX3161E/MAX3162E's internal power supply consists of a regulated dual charge pump that provides output voltages of +5.5V (doubling charge pump), and -5.5V (inverting charge pump), for input voltages (V_{CC}) over the +3.0V to +5.5V range. The charge pumps operate in a discontinuous mode. If the

MAX3160E/MAX3161E/MAX3162E

±15kV ESD-Protected, +3.0V to +5.5V, 10nA, RS-232/RS-485/RS-422 Multiprotocol Transceivers

magnitude of either output voltage is less than +5.5V, the charge pumps are enabled. If the magnitude of both output voltages exceeds +5.5V, the charge pumps are disabled. Each charge pump requires a flying capacitor (C1, C2) and a reservoir capacitor (C3, C4) to generate the V+ and V- supplies (see the *Functional Diagrams*).

RS-485/RS-422 Transceivers

The MAX3160E/MAX3161E/MAX3162E RS-485/RS-422 transceivers feature fail-safe circuitry that guarantees a logic-high receiver output when the receiver inputs are open or shorted, or when they are connected to a terminated transmission line with all drivers disabled (see the *Fail-Safe* Section). The MAX3160E/MAX3161E/MAX3162E also feature pin-selectable reduced slew-rate drivers that minimize EMI and reduce reflections caused by improperly terminated cables, allowing error-free data transmission up to 250kbps. The transmitters can operate at speeds up to 10Mbps with the slew-rate limiting disabled. Drivers are short-circuit current limited and thermally limited to protect them against excessive power dissipation. Half-duplex communication is enabled by driving HDPLX high (MAX3160E/MAX3161E.)

Fail-Safe

The MAX3160E/MAX3161E/MAX3162E guarantee a logic-high RS-485 receiver output when the receiver inputs are shorted or open, or when they are connected to a terminated transmission line with all drivers disabled. This is done by having the receiver threshold between -50mV and -200mV. If the differential receiver input voltage (A-B) is greater than or equal to -50mV, RO is logic-high. If A-B is less than or equal to -200mV, RO is logic-low. In the case of a terminated bus with all transmitters disabled, the receiver's differential input voltage is pulled to 0 by the termination. This results in a logic-high with a 50mV minimum noise margin.

RS-232 Transceivers

The MAX3160E/MAX3161E/MAX3162E RS-232 transmitters are inverting-level translators that convert CMOS-logic levels to ±5V EIA/TIA-232-compliant levels. The transmitters are guaranteed at a 250kbps data rate in slew-rate limited mode (FAST = GND) with worst-case loads of 3kΩ in parallel with 1000pF. Data rates up to 1Mbps can be achieved by asserting FAST. When powered down or in shutdown, the MAX3160E/MAX3161E/MAX3162E outputs are high impedance and can be driven to ±13.2V. The transmitter inputs do not have pullup resistors. Connect unused inputs to ground or VCC.

The receivers convert RS-232 signals to CMOS-logic output levels. All receivers have inverting outputs that remain active in shutdown. The MAX3160E/MAX3161E/MAX3162E permit their receiver inputs to be driven to ±25V. Floating receiver input signals are pulled to ground through internal 5kΩ resistors, forcing the outputs to a logic-high. The MAX3162E has transmitter and receiver enable pins that allow its outputs to be tri-stated.

±15kV ESD Protection

As with all Maxim devices, ESD-protection structures are incorporated on all pins to protect against ESD encountered during handling and assembly. The MAX3160E/MAX3161E/MAX3162E receiver inputs and transmitter outputs have extra protection against static electricity found in normal operation. Maxim's engineers developed state-of-the-art structures to protect these pins against ±15kV ESD, without damage. After an ESD event, the MAX3160E/MAX3161E/MAX3162E continue working without latchup.

The receiver inputs and transmitter outputs are characterized for ±15kV ESD protection using the Human Body Model

ESD Test Conditions

ESD performance depends on a number of conditions. Contact Maxim for a reliability report that documents test setup, methodology, and results.

Human Body Model

Figure 13a shows the Human Body Model, and Figure 13b shows the current waveform it generates when discharged into a low impedance. This model consists of a 100pF capacitor charged to the ESD voltage of interest, which is then discharged into the device through a 1.5kΩ resistor.

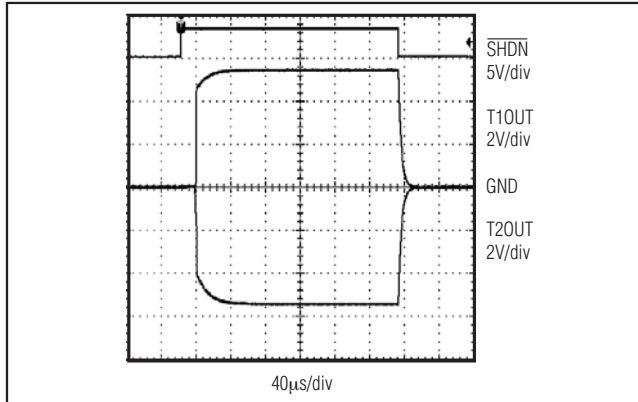


Figure 12. RS-232 Transmitter Outputs when Exiting Shutdown

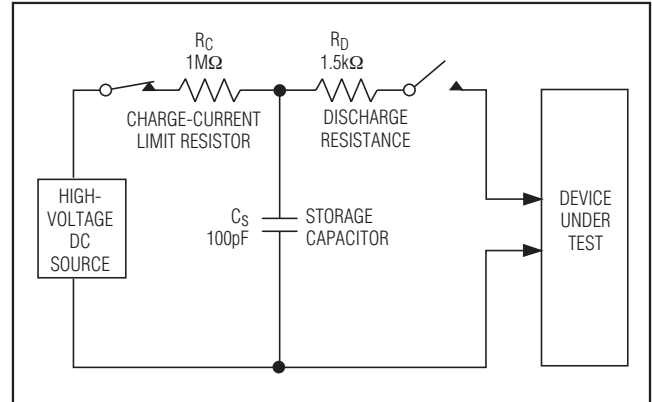


Figure 13a. Human Body ESD Test Model

Machine Model

The Machine Model for ESD testing uses a 200pF storage capacitor and zero-discharge resistance. It mimics the stress caused by handling during manufacturing and assembly. Of course, all pins (not just RS-485 inputs) require this protection during manufacturing. Therefore, the Machine Model is less relevant to the I/O ports than are the Human Body Model and IEC 1000-4-2.

Applications Information

Capacitor Selection

The capacitor type used for C1–C4 is not critical for proper operation; polarized or nonpolarized capacitors can be used. Ceramic chip capacitors with an X7R dielectric provide the best combination of performance, cost, and size. The charge pump requires 0.1µF capacitors for 3.3V operation. For other supply voltages, see Table 13 for required capacitor values. Do not use values smaller than those listed in Table 13. Increasing the capacitor values reduces ripple on the transmitter outputs and slightly reduces power consumption. C2, C3, and C4 can be changed without changing C1's value. **However, do not increase C1 without also increasing the values of C2, C3, C4, and CBYPASS to maintain the proper ratios to the other capacitors.**

When using the minimum required capacitor values, make sure the capacitance value does not degrade excessively with temperature or voltage. This is typical of Y5V and Z5U dielectric ceramic capacitors. If in doubt, use capacitors with a larger nominal value. The capacitor's equivalent series resistance (ESR), which

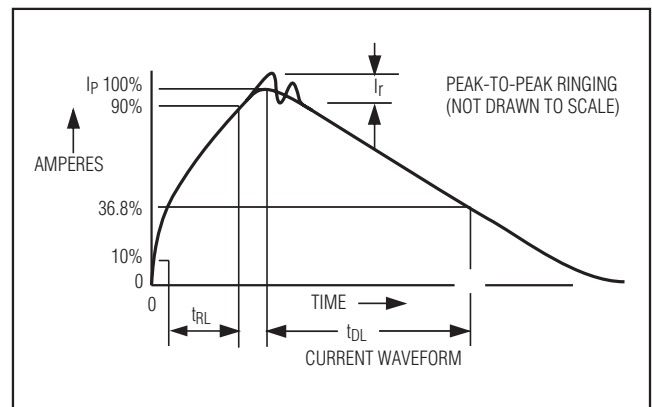


Figure 13b. Human Body Model Current Waveform

usually rises at low temperatures, influences the amount of ripple on V+ and V-.

Power-Supply Decoupling

In applications that are sensitive to power-supply noise, decouple VCC to ground with a capacitor of the same value as reservoir capacitors C2, C3, and C4. **Connect the bypass capacitor as close to the IC as possible.**

RS-232 Transmitter Outputs when Exiting Shutdown

Figure 12 shows two transmitter outputs when exiting shutdown mode. As they become active, the two transmitter outputs are shown going to opposite RS-232 levels (one transmitter input is high, the other is low). Each transmitter is loaded with $3k\Omega$ in parallel with $1000pF$. The transmitter outputs display no ringing or undesirable transients as they come out of shutdown. Note that the transmitters are enabled only when V_- exceeds approximately $-3V$.

High Data Rates

The MAX3160E/MAX3161E/MAX3162E maintain the RS-232 $\pm 5V$ required minimum transmitter output voltage even at high data rates. Figure 14 shows a transmitter loopback test circuit. Figure 15 shows a loopback test result at 250kbps, and Figure 16 shows the same test at 1Mbps. Figure 15 demonstrates a single slew-rate limited transmitter driven at 250kbps (FAST = GND) into an RS-232 load in parallel with $1000pF$. Figure 17 shows a single transmitter driven at 1Mbps (FAST asserted), loaded with an RS-232 receiver in parallel with $1000pF$. These transceivers maintain the RS-232 $\pm 5V$ minimum transmitter output voltage at data rates up to 1Mbps.

256 Transceivers on the Bus

The standard RS-485 receiver input impedance is $12k\Omega$ (one-unit load), and the standard driver can drive up to 32-unit loads. The MAX3160E has a 1/4-unit load receiver input impedance ($48k\Omega$), allowing up to 128 transceivers to be connected in parallel on one communication line. The MAX3161E/MAX3162E have a 1/8-unit load receiver input impedance ($96k\Omega$), allowing up to 256 transceivers to be connected in parallel on one communication line. Any combination of these devices and/or other RS-485 transceivers with a total of 32-unit loads or fewer can be connected to the line.

RS-485/RS-422 Driver Output Protection

Two mechanisms prevent excessive output current and power dissipation caused by faults or by bus contention. The first, a foldback current limit on the output stage, provides immediate protection against short circuits over the whole common-mode voltage range (see the *Typical Operating Characteristics*). The second, a thermal shutdown circuit, forces the driver outputs into a high-impedance state if the die temperature becomes excessive, typically over $+150^\circ C$.

Protection Against Wiring Faults

EIA/TIA-485 standards require a common input voltage range of $-7V$ to $+12V$ to prevent damage to the device.

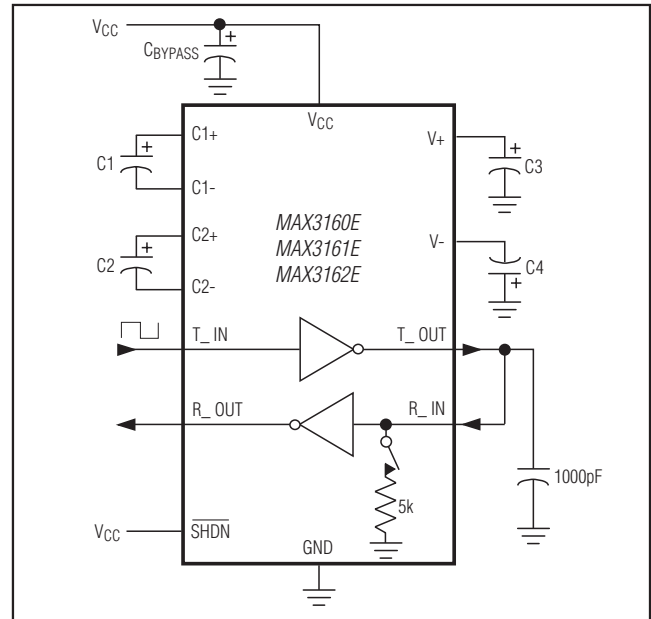


Figure 14. Loopback Test Circuit

The MAX3160E/MAX3161E/MAX3162E inputs are protected to RS-232 levels of $\pm 25V$ for the receiver inputs and $\pm 13V$ for the transmitter/driver outputs. This provides additional protection for the RS-485 transceivers against ground differential or faults due to miswiring.

RS-485/RS-422 Reduced EMI and Reflections

The MAX3160E/MAX3161E/MAX3162E can be configured for slew-rate limiting by pulling FAST low. This minimizes EMI and reduces reflections caused by improperly terminated cables. Operation in slew-rate limited mode reduces the amplitudes of high-frequency harmonics.

RS-485/RS-422 Line Length vs. Data Length

The RS-485/RS-422 standard covers line lengths up to 4000ft. For line lengths greater than 4000ft, use the repeater application shown in Figure 17.

RS-232/RS-485 Protocol Translator

Figure 18 shows the MAX3162E configured as an RS-232/RS-485 protocol translator. The direction of translation is controlled through the RTS signal (R1IN). The single-ended RS-232 receiver input signal is translated to a differential RS-485 transmitter output. Similarly, a differential RS-485 receiver input signal is translated to a single-ended RS-232 transmitter output. RS-232 data received on R_{2IN} is transmitted as an RS-485 signal on Z and Y. RS-485 signals received on A and B are transmitted as an RS-232 signal on T1OUT.

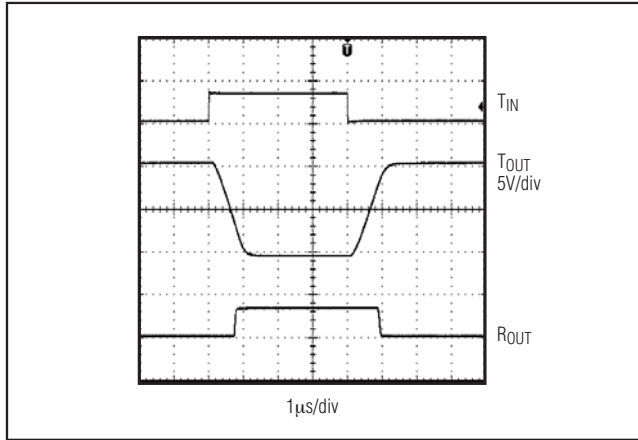


Figure 15. MAX3161E/MAX3162E RS-232 Loopback Test Result at 250kbps, FAST = Low

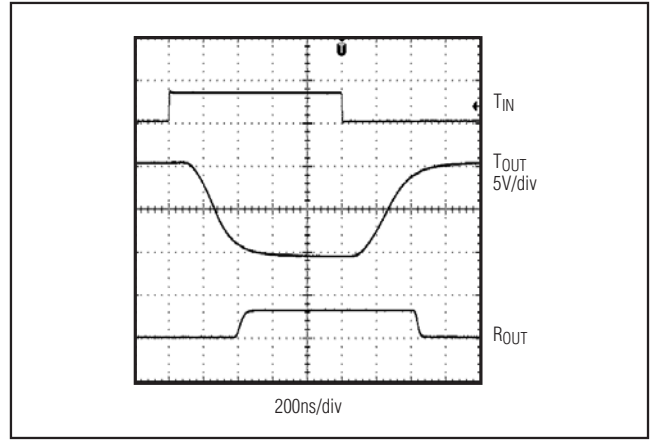


Figure 16. MAX3161E/MAX3162E RS-232 Loopback Test Result at 1Mbps, FAST = High

Multiprotocol Bus

The *Typical Operating Circuit* shows a standard application for the MAX3160E. The MAX3160E's outputs are multiplexed between RS-232 and RS-485 protocols by a microprocessor (μ P). The μ P also directs the shut-down functions, enable lines, and the duplex of the MAX3160E. Data is transmitted to the MAX3100 UART through an SPI™ port. The UART asynchronously transfers data through the MAX3160E to the pin-selected RS-232 or RS-485 protocol. See Table 14 for commonly used cable connections.

Multiprotocol Bus Multiplexer

The *Typical Application Circuit* shows the MAX3161E configured as a multiprotocol bus multiplexer. The MAX3161E separates the RS-232 and RS-485 lines, but shares the logic pins between modes. This application allows the μ P to monitor a point-to-point RS-232 bus, and a multidrop RS-485 interface. The MAX3100 UART asynchronously transfers data through the MAX3161E to the pin-selected RS-232 or RS-485 protocol.

SPI is a registered trademark of Motorola, Inc.

MAX3160E/MAX3161E/MAX3162E

±15kV ESD-Protected, +3.0V to +5.5V, 10nA, RS-232/RS-485/RS-422 Multiprotocol Transceivers

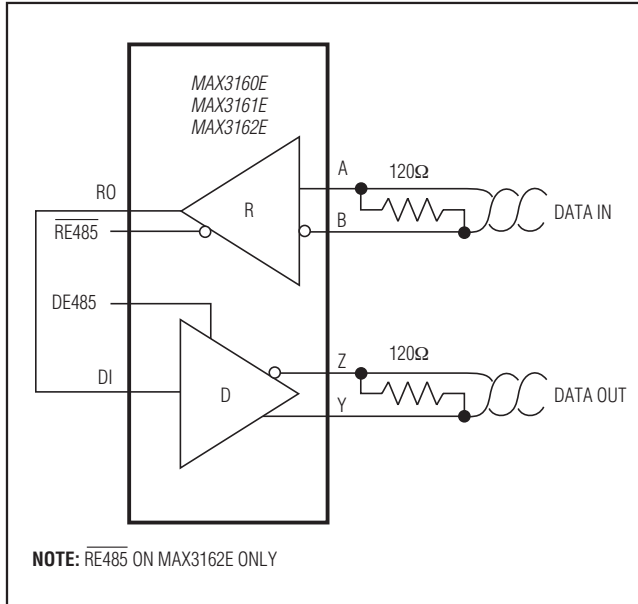


Figure 17. RS-485 Line Repeater

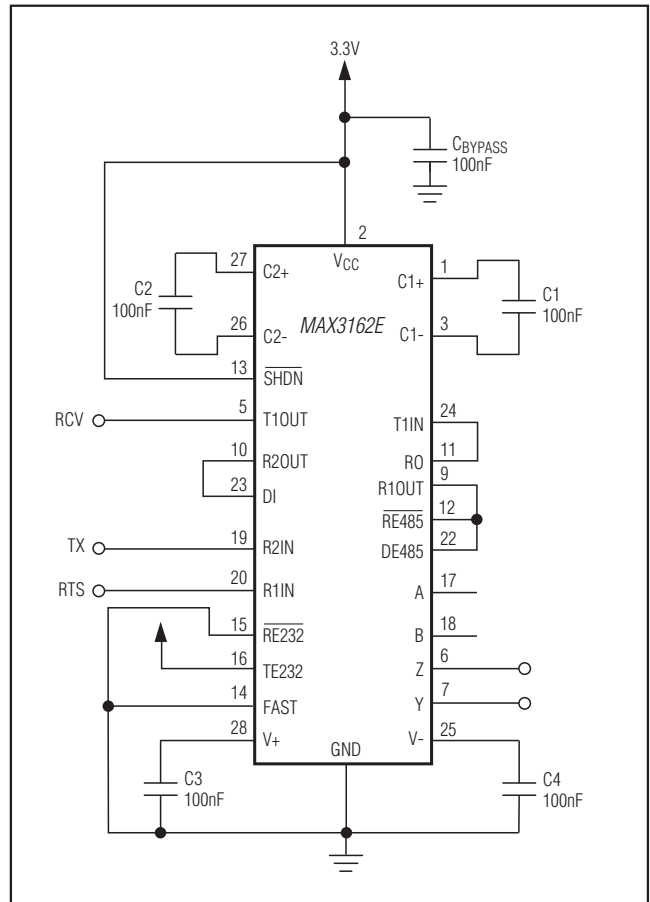


Figure 18. Protocol Translator

MAX3160E/MAX3161E/MAX3162E

±15kV ESD-Protected, +3.0V to +5.5V, 10nA, RS-232/RS-485/RS-422 Multiprotocol Transceivers

RS-232 Transmitters Truth Tables

Table 1. MAX3160E

| INPUTS | | | OUTPUTS |
|--------------------------|-------------------|------------------------|---------------------------|
| $\overline{\text{SHDN}}$ | RS-485/ RS-232 | DI/T1IN, DE485/T2IN | Z(B)/T1OUT, Y(A)/T2OUT |
| 0 | X | X | 1/8-unit load |
| 1 | 0 | 0 | 1 |
| 1 | 0 | 1 | 0 |
| 1 | 1 | X | RS-485 mode |

Table 2. MAX3161E

| INPUTS | | | OUTPUTS |
|--------------------------|-------------------|------------------------|----------------|
| $\overline{\text{SHDN}}$ | RS-485/ RS-232 | DI/T1IN, DE485/T2IN | T1OUT, T2OUT |
| 0 | X | X | High-impedance |
| 1 | 0 | 0 | 1 |
| 1 | 0 | 1 | 0 |
| 1 | 1 | X | High-impedance |

Table 3. MAX3162E

| INPUTS | | | OUTPUTS |
|--------------------------|-------|------------|----------------|
| $\overline{\text{SHDN}}$ | TE232 | T1IN, T2IN | T1OUT, T2OUT |
| 0 | X | X | High-impedance |
| X | 0 | X | High-impedance |
| 1 | 1 | 0 | 1 |
| 1 | 1 | 1 | 0 |

RS-232 Receivers Truth Tables

Table 4. MAX3160E

| INPUTS | | | OUTPUTS |
|--------------------------|-------------------|-------------------|--|
| $\overline{\text{SHDN}}$ | RS-485/ RS-232 | B/R1IN, A/R2IN | R1OUT, RO/R2OUT |
| X | 0 | 0 | 1 |
| X | 0 | 1 | 0 |
| X | 0 | Inputs open | 1 |
| X | 1 | X | R1OUT High-impedance, RO/R2OUT in RS-485 mode |

Table 5. MAX3161E

| INPUTS | | | OUTPUTS |
|--------------------------|-------------------|-------------|--|
| $\overline{\text{SHDN}}$ | RS-485/ RS-232 | R1IN, R2IN | R1OUT, RO/R2OUT |
| X | 0 | 0 | 1 |
| X | 0 | 1 | 0 |
| X | 0 | Inputs open | 1 |
| X | 1 | X | R1OUT High-impedance, RO/R2OUT in RS-485 mode |

Table 6. MAX3162E

| INPUTS | | | OUTPUTS |
|--------------------------|-------|-------------|----------------|
| $\overline{\text{SHDN}}$ | RE232 | R1IN, R2IN | R1OUT, R2OUT |
| X | 1 | X | High-impedance |
| X | 0 | 0 | 1 |
| X | 0 | 1 | 0 |
| X | 0 | Inputs open | 1 |

RS-485/RS-422 Drivers Truth Tables

Table 7. MAX3160E

| INPUTS | | | | OUTPUTS | |
|--------|---------------|------------|---------|---------------|---------------|
| SHDN | RS-485/RS-232 | DE485/T2IN | DI/T1IN | Z(B)/T1OUT | Y(A)/T2OUT |
| 0 | X | X | X | 1/8-unit load | 1/8-unit load |
| 1 | 1 | 0 | X | 1/8-unit load | 1/8-unit load |
| 1 | 1 | 1 | 0 | 1 | 0 |
| 1 | 1 | 1 | 1 | 0 | 1 |
| X | 0 | X | X | RS-232 mode | |

Table 8. MAX3161E

| INPUTS | | | | OUTPUTS | |
|--------|---------------|------------|---------|---------------|---------------|
| SHDN | RS-485/RS-232 | DE485/T2IN | DI/T1IN | Z(B) | Y(A) |
| 0 | X | X | X | 1/8-unit load | 1/8-unit load |
| X | 0 | X | X | 1/8-unit load | 1/8-unit load |
| X | X | 0 | X | 1/8-unit load | 1/8-unit load |
| 1 | 1 | 1 | 0 | 1 | 0 |
| 1 | 1 | 1 | 1 | 0 | 1 |

Table 9. MAX3162E

| INPUTS | | | OUTPUTS | |
|--------|-------|----|----------------|----------------|
| SHDN | DE485 | DI | Z | Y |
| 0 | X | X | High-impedance | High-impedance |
| X | 0 | X | High-impedance | High-impedance |
| 1 | 1 | 0 | 1 | 0 |
| 1 | 1 | 1 | 0 | 1 |

RS-485/RS-422 Receivers Truth Tables

Table 10. MAX3160E

| INPUTS | | | | | OUTPUT |
|---------------|------|-------|----------|----------|--------------------------------------|
| RS-485/RS-232 | SHDN | HDPLX | (A - B)* | (Y - Z)* | RO/R2OUT |
| 1 | 0 | X | X | X | High-impedance up to V _{CC} |
| 1 | 1 | 0 | ≥-50mV | X | 1 |
| 1 | 1 | 0 | ≤-200mV | X | 0 |
| 1 | 1 | 0 | Floating | X | 1 |
| 1 | 1 | 1 | X | ≥-50mV | 1 |
| 1 | 1 | 1 | X | ≤-200mV | 0 |
| 1 | 1 | 1 | X | Floating | 1 |
| 0 | X | X | X | X | RS-232 mode |

*Y and Z correspond to pins Y(A)/T2OUT and Z(B)/T1OUT. A and B correspond to pins A/R2IN and B/R1IN.

RS-485/RS-422 Receivers Truth Tables (continued)

Table 11. MAX3161E

| INPUTS | | | | | OUTPUT |
|---------------|------|-------|----------|-------------|--------------------------------------|
| RS-485/RS-232 | SHDN | HDPLX | A - B | Y(A) - Z(B) | RO/R2OUT |
| 1 | 0 | X | X | X | High-impedance up to V _{CC} |
| 1 | 1 | 0 | ≥-50mV | X | 1 |
| 1 | 1 | 0 | ≤-200mV | X | 0 |
| 1 | 1 | 0 | Floating | X | 1 |
| 1 | 1 | 1 | X | ≥-50mV | 1 |
| 1 | 1 | 1 | X | ≤-200mV | 0 |
| 1 | 1 | 1 | X | Floating | 1 |
| 0 | X | X | X | X | RS-232 mode |

Table 12. MAX3162E

| INPUTS | | | OUTPUT |
|--------|-------|---------|----------------|
| SHDN | RE485 | A - B | RO |
| 0 | X | X | High-impedance |
| X | 1 | X | High-impedance |
| 1 | 0 | ≥-50mV | 1 |
| 1 | 0 | ≤-200mV | 0 |
| 1 | 0 | Inputs | 1 |

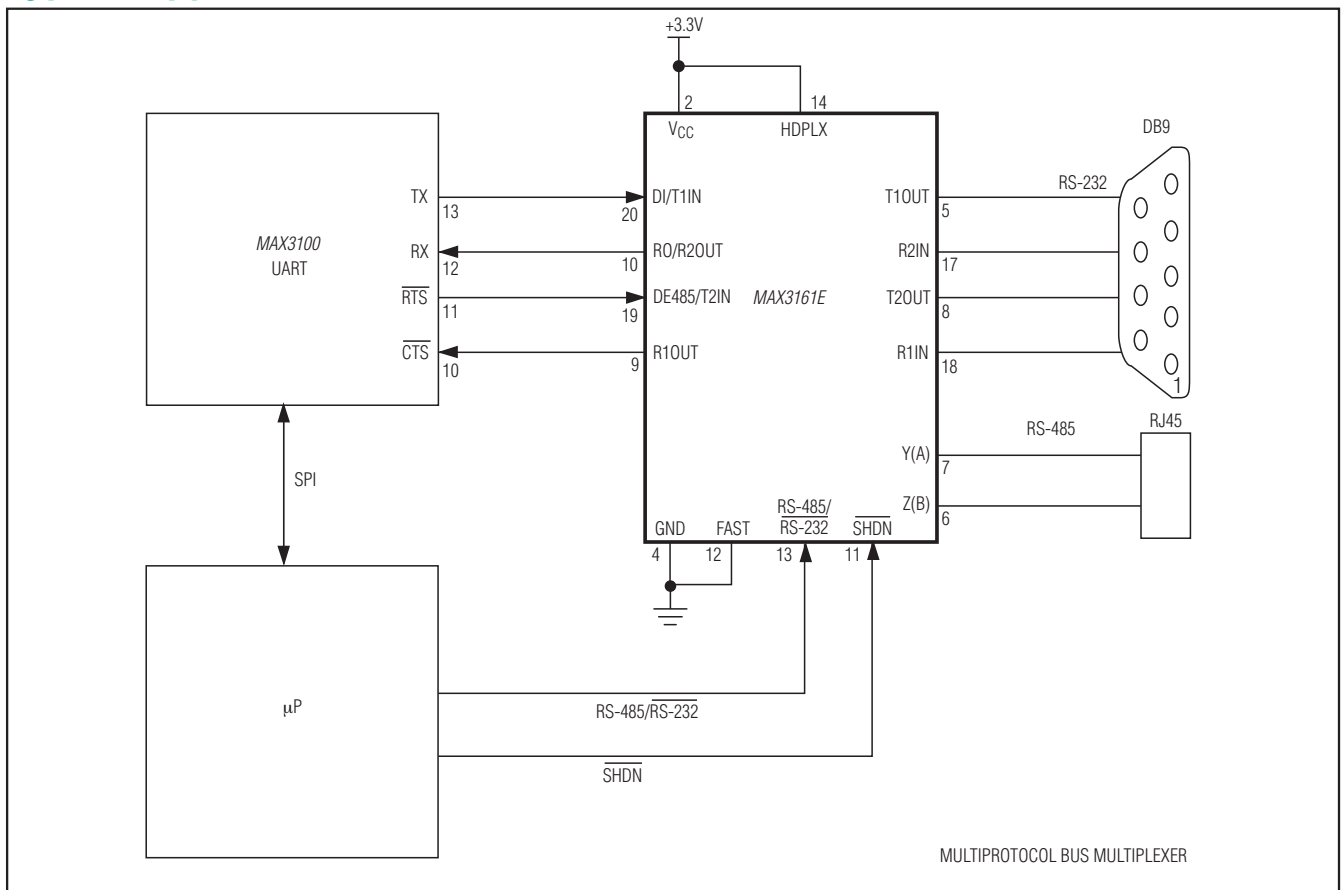
Table 13. Required Minimum
Capacitance Values

| SUPPLY VOLTAGE (V) | C1 (μF) | C2, C3, C4, C _{BYPASS} (μF) |
|--------------------|---------|--------------------------------------|
| +3.0 to +3.6 | 0.1 | 0.1 |
| +4.5 to +5.5 | 0.047 | 0.33 |
| +3.0 to +5.5 | 0.1 | 0.47 |

Table 14. Cable Connections Commonly Used for EIA/TIA-232 and V.24 Asynchronous Interfaces

| EIA/TIA-232 STANDARD | CONNECTOR PIN | MAX3160E MAX3161E MAX3162E EQUIVALENT | PIN NUMBER | | | FUNCTION (AS SEEN BY DTE) |
|----------------------|---------------|--|------------|----------|----------|-------------------------------|
| | | | MAX3160E | MAX3161E | MAX3162E | |
| DCD | 1 | — | — | — | — | Data carrier detect |
| RD | 2 | R2IN | 13 | 17 | 19 | Received data |
| TD | 3 | T1OUT | 5 | 5 | 5 | Transmitted data |
| DTR | 4 | — | — | — | — | Data terminal ready |
| SG | 5 | GND | 4 | 4 | 4 | Signal ground |
| DSR | 6 | — | — | — | — | Data set ready |
| RTS | 7 | T2OUT | 6 | 8 | 8 | Request to send (= DTE ready) |
| CTS | 8 | R1IN | 14 | 18 | 20 | Clear to send (= DCE ready) |
| RI | 9 | — | — | — | — | Ring indicator |

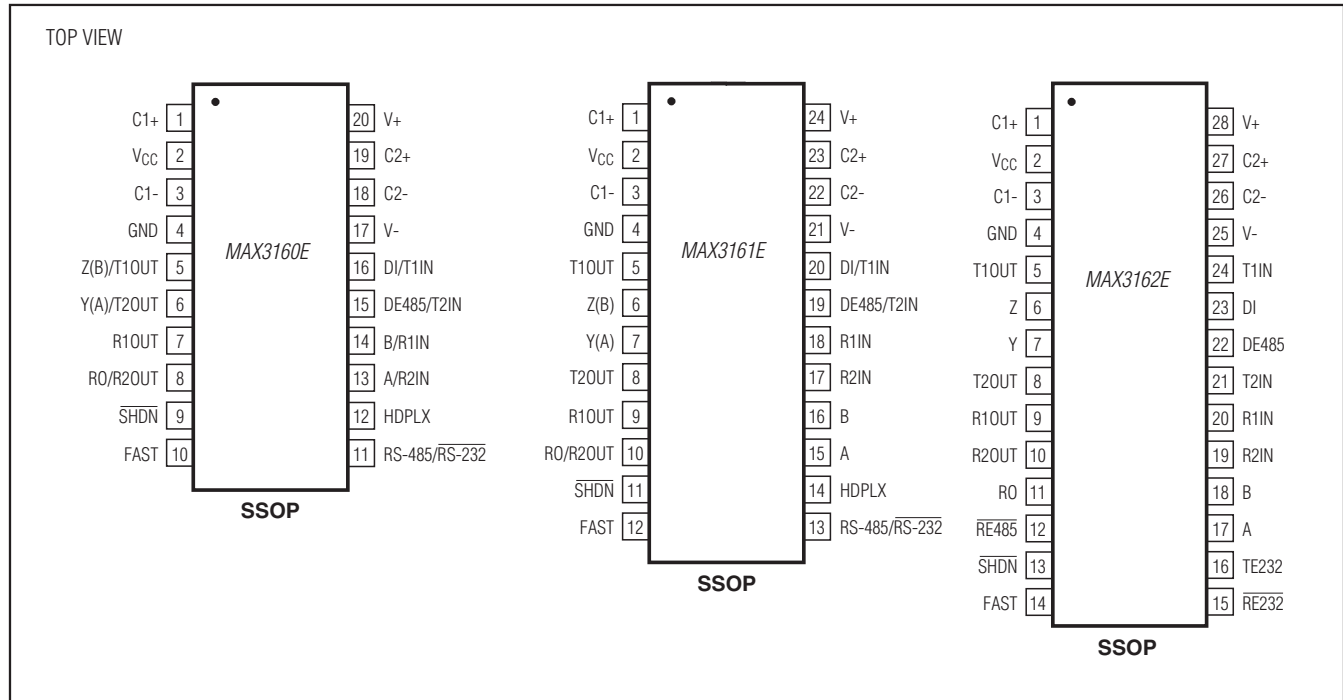
Typical Application Circuit



MAX3160E/MAX3161E/MAX3162E

±15kV ESD-Protected, +3.0V to +5.5V, 10nA, RS-232/RS-485/RS-422 Multiprotocol Transceivers

Pin Configurations



Ordering Information

| PART | TEMP RANGE | PIN-PACKAGE | PACKAGE CODE |
|-------------|----------------|-------------|--------------|
| MAX3160ECAP | 0°C to +70°C | 20 SSOP | A20-2 |
| MAX3160EEAP | -40°C to +85°C | 20 SSOP | A20-2 |
| MAX3161ECAG | 0°C to +70°C | 24 SSOP | A24-3 |
| MAX3161EEAG | -40°C to +85°C | 24 SSOP | A24-3 |
| MAX3162ECAI | 0°C to +70°C | 28 SSOP | A28-1 |
| MAX3162EEAI | -40°C to +85°C | 28 SSOP | A28-1 |

Selector Guide

| PART | DUAL MODE | FLOW-THROUGH PINOUT | RS-485 INPUT UNIT LOADS |
|----------|-----------|---------------------|-------------------------|
| MAX3160E | No | Yes | 1/4 |
| MAX3161E | No | No | 1/8 |
| MAX3162E | Yes | Yes | 1/8 |

Chip Information

TRANSISTOR COUNT: 1805

PROCESS: CMOS

Package Information

For the latest package outline information and land patterns (footprints), go to www.maximintegrated.com/packages. Note that a "+", "#", or "-" in the package code indicates RoHS status only. Package drawings may show a different suffix character, but the drawing pertains to the package regardless of RoHS status.

| PACKAGE TYPE | PACKAGE CODE | OUTLINE NO. | LAND PATTERN NO. |
|--------------|--------------|-------------------------|-------------------------|
| 20 SSOP | A20-2 | 21-0056 | 90-0094 |
| 24 SSOP | A24-3 | 21-0056 | 90-0010 |
| 28 SSOP | A28-1 | 21-0056 | 90-0095 |

Revision History

| REVISION NUMBER | REVISION DATE | DESCRIPTION | PAGES CHANGED |
|-----------------|---------------|--|---------------|
| 0 | 2/05 | Initial release | — |
| 1 | 5/15 | Updated <i>Benefits and Features</i> section | 1 |

For pricing, delivery, and ordering information, please contact Maxim Direct at 1-888-629-4642, or visit Maxim Integrated's website at www.maximintegrated.com.

Maxim Integrated cannot assume responsibility for use of any circuitry other than circuitry entirely embodied in a Maxim Integrated product. No circuit patent licenses are implied. Maxim Integrated reserves the right to change the circuitry and specifications without notice at any time. The parametric values (min and max limits) shown in the Electrical Characteristics table are guaranteed. Other parametric values quoted in this data sheet are provided for guidance.



Компания «ЭлектроПласт» предлагает заключение долгосрочных отношений при поставках импортных электронных компонентов на взаимовыгодных условиях!

Наши преимущества:

- Оперативные поставки широкого спектра электронных компонентов отечественного и импортного производства напрямую от производителей и с крупнейших мировых складов;
- Поставка более 17-ти миллионов наименований электронных компонентов;
- Поставка сложных, дефицитных, либо снятых с производства позиций;
- Оперативные сроки поставки под заказ (от 5 рабочих дней);
- Экспресс доставка в любую точку России;
- Техническая поддержка проекта, помощь в подборе аналогов, поставка прототипов;
- Система менеджмента качества сертифицирована по Международному стандарту ISO 9001;
- Лицензия ФСБ на осуществление работ с использованием сведений, составляющих государственную тайну;
- Поставка специализированных компонентов (Xilinx, Altera, Analog Devices, Intersil, Interpoint, Microsemi, Aeroflex, Peregrine, Syfer, Eurofarad, Texas Instrument, Miteq, Cobham, E2V, MA-COM, Hittite, Mini-Circuits, General Dynamics и др.);

Помимо этого, одним из направлений компании «ЭлектроПласт» является направление «Источники питания». Мы предлагаем Вам помощь Конструкторского отдела:

- Подбор оптимального решения, техническое обоснование при выборе компонента;
- Подбор аналогов;
- Консультации по применению компонента;
- Поставка образцов и прототипов;
- Техническая поддержка проекта;
- Защита от снятия компонента с производства.



Как с нами связаться

Телефон: 8 (812) 309 58 32 (многоканальный)

Факс: 8 (812) 320-02-42

Электронная почта: org@eplast1.ru

Адрес: 198099, г. Санкт-Петербург, ул. Калинина, дом 2, корпус 4, литера А.