

THIS DRAWING IS UNPUBLISHED. RELEASED FOR PUBLICATION 20  
 © COPYRIGHT 20 BY - ALL RIGHTS RESERVED.

| LOC | DIST | REVISIONS |     |                           |           |     |      |
|-----|------|-----------|-----|---------------------------|-----------|-----|------|
| CM  | 00   | P         | LTR | DESCRIPTION               | DATE      | DWN | APVD |
|     |      | A1        |     | REVISED PER ECR-12-003555 | 19APR2012 | RS  | DD   |
|     |      | A2        |     | REVISED PER ECR-12-016877 | 20OCT2012 | RS  | DD   |
|     |      | B         |     | REVISED PER ECR-15-004054 | 28JUL2015 | RS  | DD   |
|     |      | C         |     | REVISED PER ECR-15-017995 | 18DEC2015 | RS  | DD   |



- 1. MATERIALS AND FINISH:  
 - HOUSING: LCP, COLOR: NATURAL  
 - CONTACTS: COPPER ALLOY, FINISH: Sn OVER Ni
- 2. COMPLY WITH DIRECTIVE 2002/95/EC (ROHS).
- 3. 18-24AWG SOLID OR STRANDED WIRE. PLEASE REFER TO APPLICATION SPEC 114-13266 FOR RECOMMENDED STRAND COUNT.  
 18AWG MAX INSULATION OD: 2.20  
 20AWG MAX INSULATION OD: 1.90  
 22AWG MAX INSULATION OD: 1.70  
 24AWG MAX INSULATION OD: 1.45
- 4. PACKAGE IN TAPE AND REEL PER EIA-481 SPECIFICATION, EXCEPT 1 POSITION CONNECTOR.
- 5. WIRE SIZE MARKING IN APPROXIMATE LOCATION SHOWN.
- 6. DATUMS AND BASIC DIMENSIONS ESTABLISHED BY CUSTOMER.
- 7. COLOR CODE MARKING, STRAIGHT LINE.
- 8. 1 POSITION ASSEMBLY DOES NOT COMPLY WITH EIA 481 SPECIFICATION.



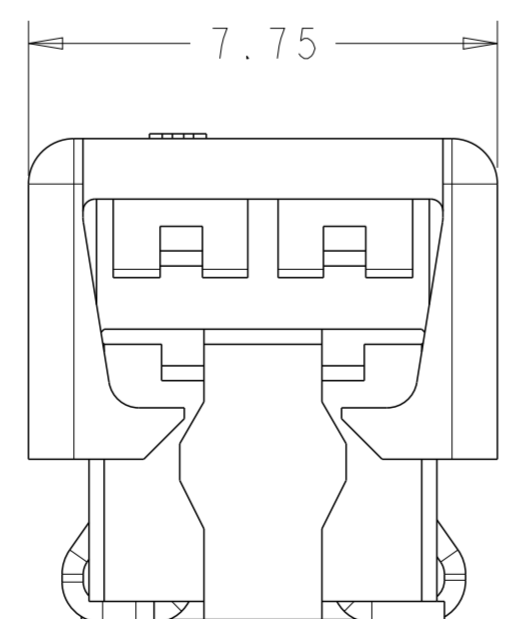
2 POSITION SHOWN AS SHIPPED



FOR 1 POSITION ONLY



2 POSITION SHOWN CLOSED SCALE 8:1



FOR 2, 3 AND 4 POSITIONS

| COLOR CODE | DIM D | WIRE SIZE | POSN | PART NUMBER   |
|------------|-------|-----------|------|---------------|
| RED        | 17.70 | 24 AWG    | 4    | 3-2106431-4   |
|            | 13.70 | 24 AWG    | 3    | 3-2106431-3   |
|            | 9.70  | 24 AWG    | 2    | 3-2106431-2   |
|            | 5.70  | 24 AWG    | 1    | 8 3-2106431-1 |
| GREEN      | 17.70 | 22 AWG    | 4    | 2-2106431-4   |
|            | 13.70 | 22 AWG    | 3    | 2-2106431-3   |
|            | 9.70  | 22 AWG    | 2    | 2-2106431-2   |
|            | 5.70  | 22 AWG    | 1    | 8 2-2106431-1 |
| BLUE       | 17.70 | 20 AWG    | 4    | 1-2106431-4   |
|            | 13.70 | 20 AWG    | 3    | 1-2106431-3   |
|            | 9.70  | 20 AWG    | 2    | 1-2106431-2   |
|            | 5.70  | 20 AWG    | 1    | 8 1-2106431-1 |
| YELLOW     | 17.70 | 18 AWG    | 4    | 2106431-4     |
|            | 13.70 | 18 AWG    | 3    | 2106431-3     |
|            | 9.70  | 18 AWG    | 2    | 2106431-2     |
|            | 5.70  | 18 AWG    | 1    | 8 2106431-1   |

THIS DRAWING IS A CONTROLLED DOCUMENT. DWN C DAILY 09DEC2008  
 CHK J DYER 09DEC2008

**STE** TE Connectivity

ASSEMBLY, IDC SSL CONNECTOR, SMT, PASS THRU

|                |  |                            |         |                 |                      |               |
|----------------|--|----------------------------|---------|-----------------|----------------------|---------------|
| DIMENSIONS: mm | TOLERANCES UNLESS OTHERWISE SPECIFIED: | PRODUCT SPEC 108-2404      | SIZE A2 | CAGE CODE 00779 | DRAWING NO C-2106431 | RESTRICTED TO |
|                | 0 PLC ±                                | APPLICATION SPEC 114-13266 | WEIGHT  | SCALE 8:1       | SHEET 1 OF 3         | REV C         |
|                | 1 PLC ±0.5                             |                            |         |                 |                      |               |
|                | 2 PLC ±0.13                            |                            |         |                 |                      |               |
|                | 3 PLC ±                                |                            |         |                 |                      |               |
|                | 4 PLC ±                                |                            |         |                 |                      |               |
|                | ANGLES ±                               |                            |         |                 |                      |               |
|                | FINISH ±                               |                            |         |                 |                      |               |

Customer Drawing

THIS DRAWING IS UNPUBLISHED. RELEASED FOR PUBLICATION 20  
 © COPYRIGHT 20 BY - ALL RIGHTS RESERVED.

| LOC |     | DIST        |  | REVISIONS |      |     |      |  |
|-----|-----|-------------|--|-----------|------|-----|------|--|
| P   | LTR | DESCRIPTION |  |           | DATE | DWN | APVD |  |
| -   | -   | SEE SHEET 1 |  |           | -    | -   | -    |  |
|     |     |             |  |           |      |     |      |  |
|     |     |             |  |           |      |     |      |  |



1 POSITION  
RECOMMENDED PAD LAYOUT  
SCALE 8:1



3 POSITION  
RECOMMENDED PAD LAYOUT  
SCALE 8:1



2 POSITION  
RECOMMENDED PAD LAYOUT  
SCALE 8:1



4 POSITION  
RECOMMENDED PAD LAYOUT  
SCALE 8:1

|  |       |  |                            |                    |      |       |       |       |   |       |   |        |   |        |   |                          |   |  |
|--|-------|--|----------------------------|--------------------|------|-------|-------|-------|---|-------|---|--------|---|--------|---|--------------------------|---|--|
| THIS DRAWING IS A CONTROLLED DOCUMENT.   |       | DWN<br>C DAILY<br>09DEC2008            | <b>STE</b> TE Connectivity |                    |      |       |       |       |   |       |   |        |   |        |   |                          |   |  |
|  |       | CHK<br>J DYER<br>09DEC2008             |                            |                    |      |       |       |       |   |       |   |        |   |        |   |                          |   |  |
| DIMENSIONS:<br>mm  |       | TOLERANCES UNLESS OTHERWISE SPECIFIED: |                            | APVD<br>-          |      |       |       |       |   |       |   |        |   |        |   |                          |   |  |
| <table border="0"> <tr><td>0 PLC</td><td>±</td></tr> <tr><td>1 PLC</td><td>±0.5</td></tr> <tr><td>2 PLC</td><td>±0.13</td></tr> <tr><td>3 PLC</td><td>±</td></tr> <tr><td>4 PLC</td><td>±</td></tr> <tr><td>ANGLES</td><td>±</td></tr> <tr><td>FINISH</td><td>-</td></tr> </table> |       | 0 PLC                                  | ±                          | 1 PLC              | ±0.5 | 2 PLC | ±0.13 | 3 PLC | ± | 4 PLC | ± | ANGLES | ± | FINISH | - | PRODUCT SPEC<br>108-2404 | NAME<br>ASSEMBLY,<br>IDC SSL CONNECTOR,<br>SMT, PASS THRU |  |
| 0 PLC  | ±     |  |                            |                    |      |       |       |       |   |       |   |        |   |        |   |                          |   |  |
| 1 PLC  | ±0.5  |  |                            |                    |      |       |       |       |   |       |   |        |   |        |   |                          |   |  |
| 2 PLC  | ±0.13 |  |                            |                    |      |       |       |       |   |       |   |        |   |        |   |                          |   |  |
| 3 PLC  | ±     |  |                            |                    |      |       |       |       |   |       |   |        |   |        |   |                          |   |  |
| 4 PLC  | ±     |  |                            |                    |      |       |       |       |   |       |   |        |   |        |   |                          |   |  |
| ANGLES   | ±     |  |                            |                    |      |       |       |       |   |       |   |        |   |        |   |                          |   |  |
| FINISH   | -     |  |                            |                    |      |       |       |       |   |       |   |        |   |        |   |                          |   |  |
| MATERIAL<br>material_2   |       | APPLICATION SPEC<br>114-13266          | SIZE<br>A2                 | CAGE CODE<br>00779 |      |       |       |       |   |       |   |        |   |        |   |                          |   |  |
| finish_spec_2  |       | WEIGHT<br>-                            | DRAWING NO<br>C-2106431    | RESTRICTED TO<br>- |      |       |       |       |   |       |   |        |   |        |   |                          |   |  |
| Customer Drawing   |       | SCALE<br>8:1                           | SHEET<br>1                 | OF<br>3            |      |       |       |       |   |       |   |        |   |        |   |                          |   |  |
|  |       |  | REV<br>C                   |                    |      |       |       |       |   |       |   |        |   |        |   |                          |   |  |

THIS DRAWING IS UNPUBLISHED. RELEASED FOR PUBLICATION 20  
 © COPYRIGHT 20 BY - ALL RIGHTS RESERVED.

| LOC | DIST | REVISIONS   |      |     |      |  |
|-----|------|-------------|------|-----|------|--|
| P   | LTR  | DESCRIPTION | DATE | DWN | APVD |  |
| -   | -    | SEE SHEET 1 | -    | -   | -    |  |
|     |      |             |      |     |      |  |
|     |      |             |      |     |      |  |



SECTION X-X

2106431-2 SHOWN IN POCKET TAPE

|  |  |                               |   |                              |
|--|--|-------------------------------|---|------------------------------|
| THIS DRAWING IS A CONTROLLED DOCUMENT. |  | DWN<br>C DAILY<br>09DEC2008   | <b>STE</b> TE Connectivity                                |                              |
|  |  | CHK<br>J DYER<br>09DEC2008    |   |                              |
| DIMENSIONS:                            | TOLERANCES UNLESS OTHERWISE SPECIFIED:                     | APVD<br>-                     | NAME<br>ASSEMBLY,<br>IDC SSL CONNECTOR,<br>SMT, PASS THRU |                              |
| mm                                     | 0 PLC ±<br>1 PLC ±0.5<br>2 PLC ±0.13<br>3 PLC ±<br>4 PLC ± | PRODUCT SPEC<br>108-2404      | SIZE<br>A2  | CAGE CODE<br>00779           |
| MATERIAL                               | FINISH   | APPLICATION SPEC<br>114-13266 | DRAWING NO<br>C-2106431                                   | RESTRICTED TO<br>-           |
| material_2                             | finish_spec_2  | WEIGHT<br>-                   | Customer Drawing  | SCALE 8:1 SHEET 1 OF 3 REV C |



Компания «ЭлектроПласт» предлагает заключение долгосрочных отношений при поставках импортных электронных компонентов на взаимовыгодных условиях!

Наши преимущества:

- Оперативные поставки широкого спектра электронных компонентов отечественного и импортного производства напрямую от производителей и с крупнейших мировых складов;
- Поставка более 17-ти миллионов наименований электронных компонентов;
- Поставка сложных, дефицитных, либо снятых с производства позиций;
- Оперативные сроки поставки под заказ (от 5 рабочих дней);
- Экспресс доставка в любую точку России;
- Техническая поддержка проекта, помощь в подборе аналогов, поставка прототипов;
- Система менеджмента качества сертифицирована по Международному стандарту ISO 9001;
- Лицензия ФСБ на осуществление работ с использованием сведений, составляющих государственную тайну;
- Поставка специализированных компонентов (Xilinx, Altera, Analog Devices, Intersil, Interpoint, Microsemi, Aeroflex, Peregrine, Syfer, Eurofarad, Texas Instrument, Miteq, Cobham, E2V, MA-COM, Hittite, Mini-Circuits, General Dynamics и др.);

Помимо этого, одним из направлений компании «ЭлектроПласт» является направление «Источники питания». Мы предлагаем Вам помощь Конструкторского отдела:

- Подбор оптимального решения, техническое обоснование при выборе компонента;
- Подбор аналогов;
- Консультации по применению компонента;
- Поставка образцов и прототипов;
- Техническая поддержка проекта;
- Защита от снятия компонента с производства.



#### Как с нами связаться

**Телефон:** 8 (812) 309 58 32 (многоканальный)

**Факс:** 8 (812) 320-02-42

**Электронная почта:** [org@eplast1.ru](mailto:org@eplast1.ru)

**Адрес:** 198099, г. Санкт-Петербург, ул. Калинина, дом 2, корпус 4, литера А.