

Model 358P/L

Advanced PLL LVPECL or LVDS VCXO



Part Dimensions:
5.0 x 3.2 x 1.3mm • 58.1mg

Features

- Ceramic Surface Mount Package
- Low Phase Jitter Performance, 500fs Typical
- Advanced PLL Design w/ Low Fundamental Crystal
- Frequency Range 10MHz – 800MHz *
- +2.5V or +3.3V Operation
- Output Enable Standard
- Tape and Reel Packaging, EIA-418

Applications

- Broadcast Video
- Storage Area Networking
- Broadband Access
- Phase-Locked Loop
- Networking Equipment
- Ethernet/GbE/SyncE
- Fiber Channel
- Test and Measurement

Standard Frequencies

| | | |
|-------------|-------------|-------------|
| - 25.00MHz | - 122.88MHz | - 200.00MHz |
| - 50.00MHz | - 125.00MHz | - 250.00MHz |
| - 74.25MHz | - 148.50MHz | - 300.00MHz |
| - 77.76MHz | - 155.52MHz | - 312.50MHz |
| - 100.00MHz | - 156.25MHz | |

* See Page 11 for additional developed frequencies.
Check with factory for availability of frequencies not listed.

Description

CTS Model 358P/L is a low cost, high performance PLL voltage controlled oscillator supporting differential LVPECL or LVDS outputs. Employing the latest IC technology, M358P/L has excellent stability and low phase jitter performance.

Ordering Information

| Model | Output Type | Frequency Code [MHz] | Absolute Pull Range | Frequency Stability | Temperature Range | Supply Voltage | Packaging |
|-------|-----------------|-------------------------------------|---------------------|------------------------------|-------------------------|------------------|-----------------------|
| 358 | P | XXX or XXXX | B | 3 | I | 3 | T |
| | Code Output | | Code APR | | Code Temp. Range | | Code Packing |
| | P LVPECL | | B ±50ppm | | C -20°C to +70°C | | T 1k pcs./reel |
| | L LVDS | | | | I -40°C to +85°C | | |
| | | Code Frequency | | Code Stability | | Code Voltage | |
| | | Product Frequency Code ¹ | | 5 ±25ppm ² | | 2 +2.5Vdc | |
| | | | | 4 ±30ppm | | 3 +3.3Vdc | |
| | | | | 3 ±50ppm | | | |

Notes:

- 1] Refer to document 016-1454-0, Frequency Code Tables.
3-digits for frequencies <100MHz, 4-digits for frequencies 100MHz or greater.
- 2] Check factory availability when paired with "I" temperature code.

**Not all performance combinations and frequencies may be available.
Contact your local CTS Representative or CTS Customer Service for availability.**

This product is specified for use only in standard commercial applications. Supplier disclaims all express and implied warranties and liability in connection with any use of this product in any non-commercial applications or in any application that may expose the product to conditions that are outside of the tolerances provided in its specification.



Electrical Specifications

Operating Conditions

| PARAMETER | SYMBOL | CONDITIONS | MIN | TYP | MAX | UNIT |
|-------------------------|-----------|-------------------------------|-------|-----|-------|------|
| Maximum Supply Voltage | V_{CC} | - | -0.5 | - | 4.0 | V |
| Maximum Control Voltage | V_C | $V_{CC} = +2.5V$ | -0.5 | - | 3.0 | V |
| | | $V_{CC} = +3.3V$ | -0.5 | - | 3.8 | V |
| Supply Voltage | V_{CC} | $\pm 5\%$ | 2.375 | 2.5 | 2.625 | V |
| | | | 3.135 | 3.3 | 3.465 | |
| Supply Current | | | | | | |
| LVPECL | I_{CC} | Maximum Load | - | 54 | 88 | mA |
| LVDS | | Maximum Current Value @ +3.3V | - | 45 | 65 | |
| Operating Temperature | T_A | - | -20 | +25 | +70 | °C |
| | | | -40 | | +85 | |
| Storage Temperature | T_{STG} | - | -55 | - | +125 | °C |

Frequency Stability

| PARAMETER | SYMBOL | CONDITIONS | MIN | TYP | MAX | UNIT |
|---------------------------------|-------------------|--------------------------------------|-----|--------------|-----|-----------|
| Frequency Range | f_O | - | | 10 - 800 | | MHz |
| Frequency Stability [Note 1] | $\Delta f/f_O$ | - | | 25, 30 or 50 | | \pm ppm |
| Absolute Pull Range [Note 2] | APR | - | 50 | - | - | \pm ppm |
| Aging | $\Delta f/f_{25}$ | First Year @ +25°C, nominal V_{CC} | -3 | - | 3 | ppm |

1.] Inclusive of initial tolerance at time of shipment, changes in supply voltage, load, temperature and 1st year aging.

2.] Minimum guaranteed frequency shift from f_O over variations in temperature, aging, power supply and load.

Output Parameters

| PARAMETER | SYMBOL | CONDITIONS | MIN | TYP | MAX | UNIT |
|-----------------------------|------------|------------------------------------|-----------------|--------|-----------------|------|
| Output Type | - | - | | LVPECL | | - |
| Output Load | R_L | Terminated to $V_{CC} - 2.0V$ | - | 50 | - | Ohms |
| Output Voltage Levels | V_{OH} | PECL Load | $V_{CC} - 1.03$ | - | $V_{CC} - 0.60$ | V |
| | V_{OL} | | $V_{CC} - 1.85$ | - | $V_{CC} - 1.60$ | |
| Output Duty Cycle | SYM | @ $V_{CC} - 1.3V$ | 45 | - | 55 | % |
| Rise and Fall Time | T_R, T_F | @ 20%/80% Levels, $R_L = 50$ Ohms | - | 0.25 | 0.70 | ns |
| Output Type | - | - | | LVDS | | - |
| Output Load | R_L | Between Outputs | - | 100 | - | Ohms |
| Output Voltage Levels | V_{OH} | LVDS Load | - | 1.43 | 1.60 | V |
| | V_{OL} | | 0.90 | 1.10 | - | |
| Output Duty Cycle | SYM | @ 1.25V | 45 | - | 55 | % |
| Differential Output Voltage | V_{OD} | $R_L = 100$ Ohms | 175 | 330 | 454 | mV |
| Offset Voltage | V_{OS} | LVDS Load | 1.20 | 1.25 | 1.30 | V |
| Rise and Fall Time | T_R, T_F | @ 20%/80% Levels, $R_L = 100$ Ohms | - | 0.4 | 0.7 | ns |



Electrical Specifications

Output Parameters

| PARAMETER | SYMBOL | CONDITIONS | MIN | TYP | MAX | UNIT |
|------------------------------------|--------------|----------------------------------|-------------|-----|-------------|------|
| Start Up Time | T_S | Application of V_{CC} | - | 3 | 5 | ms |
| Enable Function [Tri-State] | | | | | | |
| Enable Input Voltage | V_{IH} | Pin 1 Logic '1', Output Enabled | $0.7V_{CC}$ | - | - | V |
| Disable Input Voltage | V_{IL} | Pin 1 Logic '0', Output Disabled | - | - | $0.3V_{CC}$ | V |
| Disable Current | I_{IL} | Pin 1 Logic '0', Output Disabled | - | 16 | 22 | mA |
| Enable Time | T_{PLZ} | Pin 1 Logic '1', Output Enabled | - | - | 200 | ns |
| Phase Jitter, RMS | t_{jrms} | Bandwidth 12 kHz - 20 MHz | - | 500 | <1000 | fs |
| Period Jitter, RMS | p_{jrms} | - | - | 2.5 | - | ps |
| Period Jitter, pk-pk | p_{jpk-pk} | - | - | 25 | - | ps |

Control Voltage

| PARAMETER | SYMBOL | CONDITIONS | MIN | TYP | MAX | UNIT |
|---------------------|----------------|--|-----|-------------|----------|-------|
| Control Voltage | V_C | $V_{CC} = 2.5V$ | 0.2 | 1.25 | 2.3 | V |
| | | $V_{CC} = 3.3V$ | 0.3 | 1.65 | 3.0 | |
| Frequency Deviation | $\Delta f/f_0$ | $V_C = 0.2V$ | - | -60 to -180 | - | ppm |
| | | $V_C = 2.3V$ | - | 60 to 180 | - | |
| | | $V_C = 0.3V$ | - | -60 to -180 | - | ppm |
| | | $V_C = 3.0V$ | - | 60 to 180 | - | |
| Linearity | L | Best Straight Line Fit | - | - | ± 15 | % |
| Gain Transfer | K_V | Pull Sensitivity; @ +1.25V, +25°C Pull Sensitivity; @ +1.65V, +25°C | - | 80 | 260 | ppm/V |
| Input Impedance | Z_{Vc} | - | 1 | - | - | MOhms |
| Modulation Roll-off | - | @ -3dB | 10 | - | - | kHz |
| Transfer Function | - | - | - | Positive | - | - |

Enable Truth Table

| Pin 2 | Pin 4 & Pin 5 |
|-----------|---------------|
| Logic '1' | Output |
| Open | Output |
| Logic '0' | High Imp. |

Electrical Specifications

Test Circuit
LVPECL



LVDS



Output Waveform

LVPECL or LVDS





Electrical Specifications

Performance Data

Phase Noise [typical]

19.44MHz, LVDS, $V_{CC} = +3.3V$, $V_C = +1.65V$, $T_A = +25^\circ C$



Phase Noise Tabulated

19.44MHz, LVDS, $V_{CC} = +3.3V$, $V_C = +1.65V$, $T_A = +25^\circ C$

| PARAMETER | SYMBOL | CONDITIONS | TYP | UNIT |
|------------------------|-------------------|------------------------------------|-----------|--------|
| LVDS @ 19.44MHz | | | | |
| Phase Noise | | Single Side Band | | |
| | | @ 10Hz | -69.4772 | |
| | | @ 100Hz | -106.4545 | |
| | | @ 1kHz | -129.7966 | |
| | - | @ 10kHz | -140.9102 | dBc/Hz |
| | | @ 100kHz | -145.9181 | |
| | | @ 1MHz | -153.5518 | |
| | | @ 5MHz | -167.1949 | |
| | | @ 5MHz | -167.1949 | |
| Phase Jitter, RMS | tj _{rms} | Integration Bandwidth 12kHz - 5MHz | 473.5920 | fs |



Electrical Specifications

Performance Data

Phase Noise [typical]

100MHz, LVPECL, $V_{CC} = +3.3V$, $V_C = +1.65V$, $T_A = +25^\circ C$



Phase Noise Tabulated

100MHz, LVPECL, $V_{CC} = +3.3V$, $V_C = +1.65V$, $T_A = +25^\circ C$

| PARAMETER | SYMBOL | CONDITIONS | TYP | UNIT |
|--------------------------|-------------------|-------------------------------------|-----------|--------|
| LVPECL @ 100MHz | | | | |
| Phase Noise | | Single Side Band | | |
| | | @ 10Hz | -60.0468 | |
| | | @ 100Hz | -87.7044 | |
| | | @ 1kHz | -114.7894 | |
| | - | @ 10kHz | -125.5298 | dBc/Hz |
| | | @ 100kHz | -129.3706 | |
| | | @ 1MHz | -140.0562 | |
| | | @ 10MHz | -155.0085 | |
| | @ 20MHz | -155.3269 | | |
| Phase Jitter, RMS | tj _{rms} | Integration Bandwidth 12kHz - 20MHz | 580.0190 | fs |



Electrical Specifications

Performance Data

Phase Noise [typical]

155.52MHz, LVPECL, $V_{CC} = +3.3V$, $V_C = +1.65V$, $T_A = +25^\circ C$



Phase Noise Tabulated

155.52MHz, LVPECL, $V_{CC} = +3.3V$, $V_C = +1.65V$, $T_A = +25^\circ C$

| PARAMETER | SYMBOL | CONDITIONS | TYP | UNIT |
|---------------------------|---------|-------------------------------------|-----------|--------|
| LVPECL @ 155.52MHz | | | | |
| Phase Noise | | Single Side Band | | |
| | | @ 10Hz | -54.7395 | |
| | | @ 100Hz | -84.2366 | |
| | | @ 1kHz | -111.2290 | |
| | - | @ 10kHz | -123.6860 | dBc/Hz |
| | | @ 100kHz | -128.8000 | |
| | | @ 1MHz | -136.0835 | |
| | | @ 10MHz | -156.0579 | |
| | @ 20MHz | -157.3111 | | |
| Phase Jitter, RMS | tjrms | Integration Bandwidth 12kHz - 20MHz | 443.0400 | fs |

Mechanical Specifications

Package Drawing



Marking Information

1. ** – Manufacturing Site Code.
2. D – Date Code. See Table I for codes.
3. O – Output Type; P = LVPECL, L = LVDS.
[Refer to Ordering Information]
4. ST – Frequency Stability/Temperature Code.
[Refer to Ordering Information]
5. V – Voltage Code; 3 = 3.3V, 2 = 2.5V.
6. xxxx – Frequency Code.
3-digits, frequencies below 100MHz
4-digits, frequencies 100MHz or greater
[See document 016-1454-0, Frequency Code Tables.]

Recommended Pad Layout



Notes

1. JEDEC termination code (e4). Barrier-plating is nickel [Ni] with gold [Au] flash plate.
2. Reflow conditions per JEDEC J-STD-020; +260°C maximum, 20 seconds.
3. MSL = 1.

Pin Assignments

| Pin | Symbol | Function |
|-----|-----------------|--------------------------|
| 1 | V _C | Voltage Control |
| 2 | EOH | Enable [tri-state] |
| 3 | GND | Circuit & Package Ground |
| 4 | Output | RF Output |
| 5 | Output | Complimentary RF Output |
| 6 | V _{CC} | Supply Voltage |

Table I - Date Code

| YEAR | | MONTH | | | | | JAN | FEB | MAR | APR | MAY | JUN | JUL | AUG | SEP | OCT | NOV | DEC |
|------|------|-------|------|------|------|------|-----|-----|-----|-----|-----|-----|-----|-----|-----|-----|-----|-----|
| | | 2001 | 2005 | 2009 | 2013 | 2017 | | | | | | | | | | | | |
| 2001 | 2005 | 2009 | 2013 | 2017 | | A | B | C | D | E | F | G | H | J | K | L | M | |
| 2002 | 2006 | 2010 | 2014 | 2018 | | N | P | Q | R | S | T | U | V | W | X | Y | Z | |
| 2003 | 2007 | 2011 | 2015 | 2019 | | a | b | c | d | e | f | g | h | j | k | l | m | |
| 2004 | 2008 | 2012 | 2016 | 2020 | | n | p | q | r | s | t | u | v | w | x | y | z | |

Packaging - Tape and Reel

Tape Drawing – 12mm Width



Tape Drawing – 16mm Width

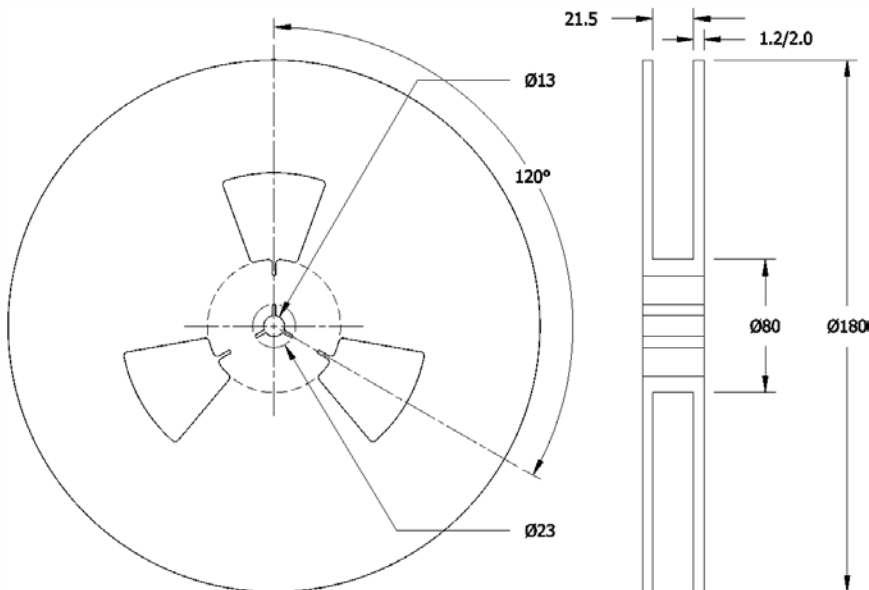


Packaging - Tape and Reel

Reel Drawing – 12mm Width



Reel Drawing – 16mm Width



Notes

1. Device quantity is 1k pieces per 180mm reel.
2. Complete CTS part number, frequency value and date code information must appear on reel and carton labels.



Addendum

Additional Developed Frequencies – MHz

| FREQUENCY | FREQUENCY CODE | FREQUENCY | FREQUENCY CODE | FREQUENCY | FREQUENCY CODE | FREQUENCY | FREQUENCY CODE |
|-----------|----------------|------------|----------------|------------|----------------|------------|----------------|
| 27.000000 | 270 | 74.175800 | 74A | 144.500000 | 1445 | 322.265625 | 322A |
| 38.840000 | 38D | 76.800000 | 768 | 148.351648 | 148B | 349.400000 | 3494 |
| 38.880000 | 388 | 86.700000 | 867 | 150.000000 | 1500 | 400.000000 | 4000 |
| 43.350000 | 433 | 87.351542 | 873 | 153.600000 | 1536 | 448.000000 | 4480 |
| 45.000000 | 450 | 92.160000 | 921 | 156.253906 | 156A | 622.080000 | 6220 |
| 54.000000 | 540 | 106.250000 | 1062 | 160.000000 | 1600 | | |
| 62.500000 | 625 | 132.000000 | 1320 | 184.320000 | 1843 | | |

Frequency Codes for Cover Page Table – MHz

| FREQUENCY | FREQUENCY CODE | FREQUENCY | FREQUENCY CODE | FREQUENCY | FREQUENCY CODE |
|------------|----------------|------------|----------------|------------|----------------|
| 25.000000 | 250 | 122.880000 | 1228 | 200.000000 | 2000 |
| 50.000000 | 500 | 125.000000 | 1250 | 250.000000 | 2500 |
| 74.250000 | 742 | 148.500000 | 1485 | 300.000000 | 3000 |
| 77.760000 | 777 | 155.520000 | 1555 | 312.500000 | 3125 |
| 100.000000 | 1000 | 156.250000 | 1562 | | |



Компания «ЭлектроПласт» предлагает заключение долгосрочных отношений при поставках импортных электронных компонентов на взаимовыгодных условиях!

Наши преимущества:

- Оперативные поставки широкого спектра электронных компонентов отечественного и импортного производства напрямую от производителей и с крупнейших мировых складов;
- Поставка более 17-ти миллионов наименований электронных компонентов;
- Поставка сложных, дефицитных, либо снятых с производства позиций;
- Оперативные сроки поставки под заказ (от 5 рабочих дней);
- Экспресс доставка в любую точку России;
- Техническая поддержка проекта, помощь в подборе аналогов, поставка прототипов;
- Система менеджмента качества сертифицирована по Международному стандарту ISO 9001;
- Лицензия ФСБ на осуществление работ с использованием сведений, составляющих государственную тайну;
- Поставка специализированных компонентов (Xilinx, Altera, Analog Devices, Intersil, Interpoint, Microsemi, Aeroflex, Peregrine, Syfer, Eurofarad, Texas Instrument, Miteq, Cobham, E2V, MA-COM, Hittite, Mini-Circuits, General Dynamics и др.);

Помимо этого, одним из направлений компании «ЭлектроПласт» является направление «Источники питания». Мы предлагаем Вам помощь Конструкторского отдела:

- Подбор оптимального решения, техническое обоснование при выборе компонента;
- Подбор аналогов;
- Консультации по применению компонента;
- Поставка образцов и прототипов;
- Техническая поддержка проекта;
- Защита от снятия компонента с производства.



Как с нами связаться

Телефон: 8 (812) 309 58 32 (многоканальный)

Факс: 8 (812) 320-02-42

Электронная почта: org@eplast1.ru

Адрес: 198099, г. Санкт-Петербург, ул. Калинина, дом 2, корпус 4, литера А.