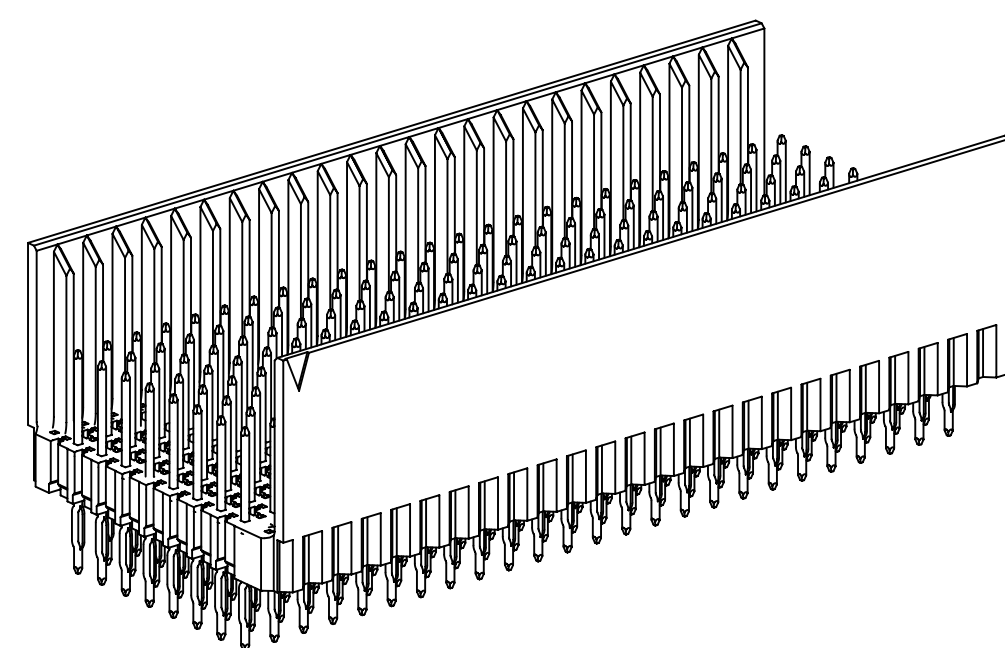
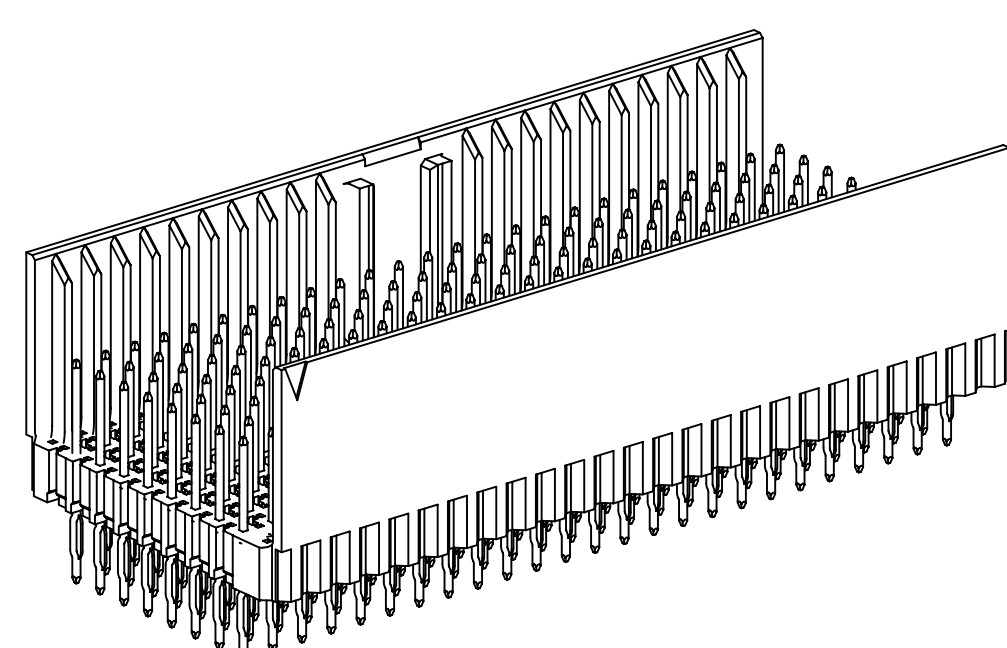


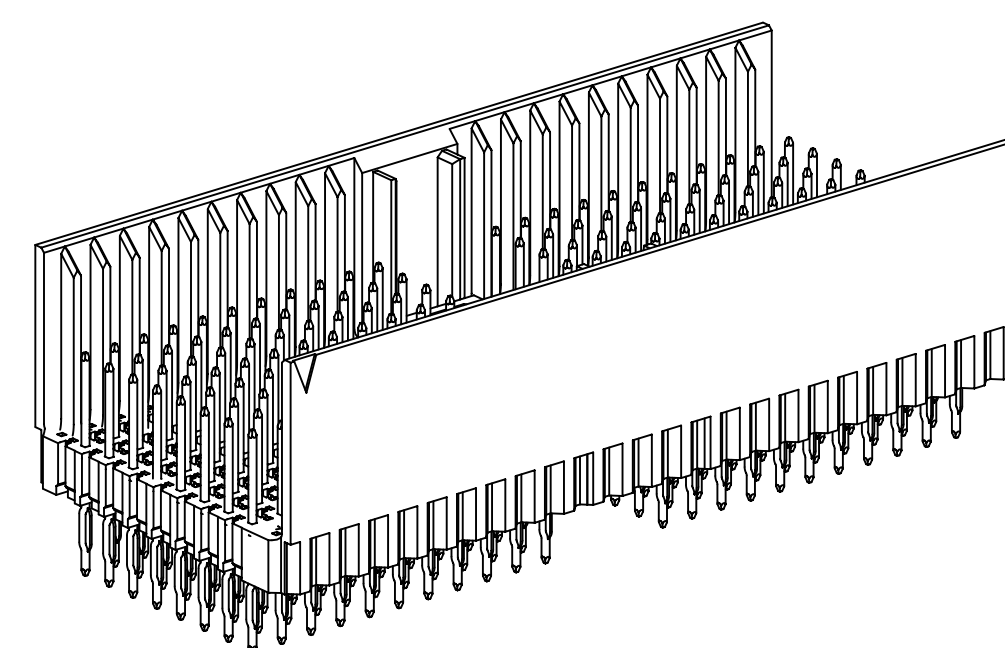
3M™ HM PRESS-FIT HEADER, 8-ROW, HM SERIES  
FOR HARD METRIC APPLICATIONS



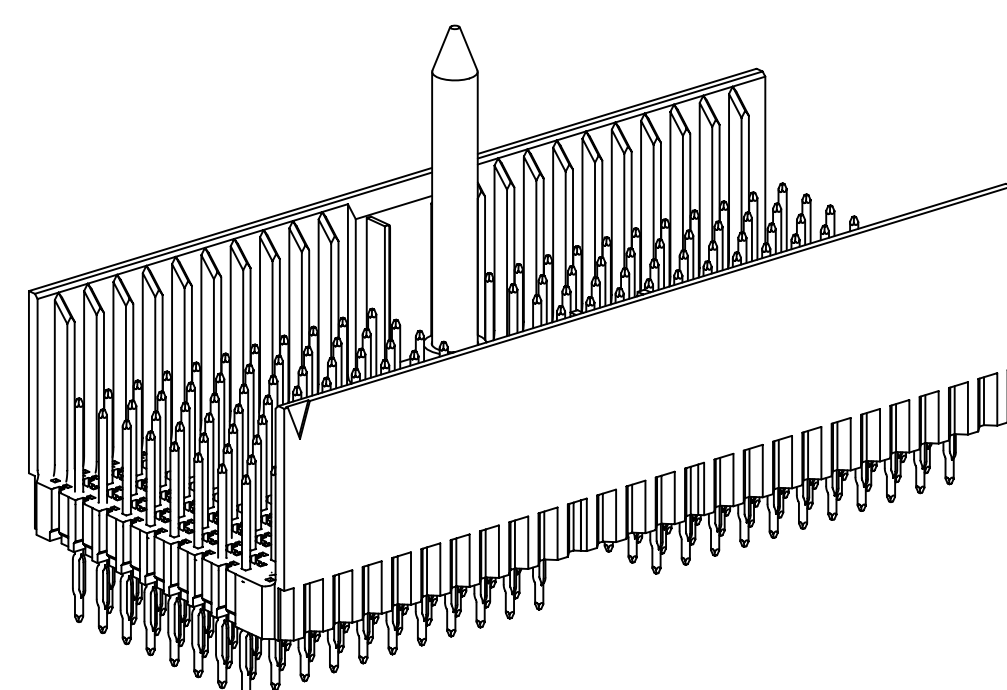
HM-H200E1-8CX1  
HM-H244E2-8BX1



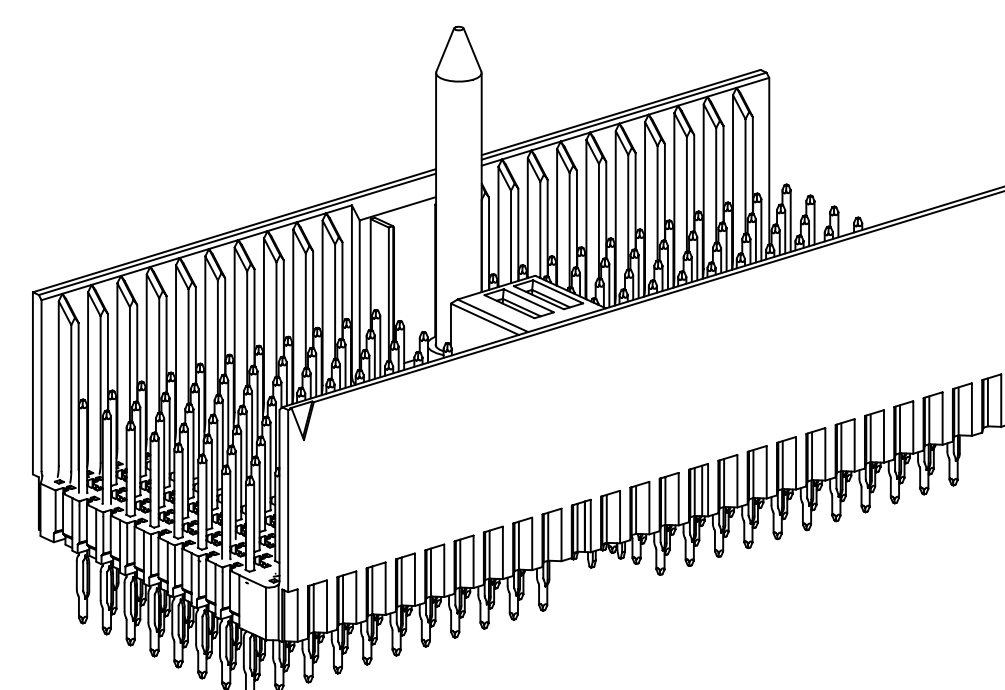
HM-H200DE1-8CX1  
HM-H244DE2-8BX1



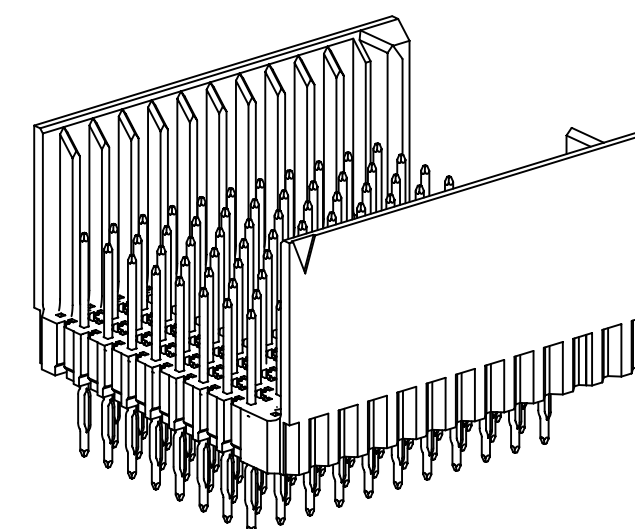
HM-H176D1-8CX1  
HM-H220D2-8BX1



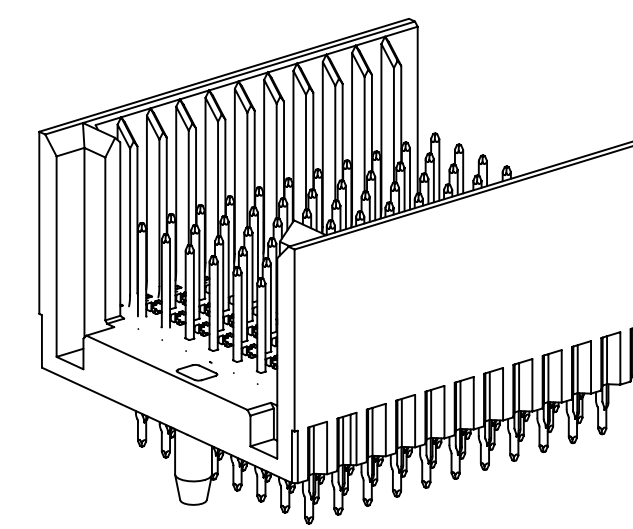
HM-H176DG1-8CX1  
HM-H220DG2-8BX1



HM-H176DPWR1-8CX1  
HM-H220DPWR2-8BX1



HM-H088FL1-8CX1  
HM-H110FL2-8BX1



HM-H088FR1-8CX1  
HM-H110FR2-8BX1

(UNLESS OTHERWISE SHOWN)  
ORDERING INFORMATION  
(ROWS I AND Z NOT LOADED)

HM-HXXXXX1-8CX1-XXXXX

HEADER POSITION AND TYPE | TAIL STYLE: P = PRESS-FIT TAIL, S = SOLDER TAIL | PLATING

(UNLESS OTHERWISE SHOWN)  
ORDERING INFORMATION  
(ROWS I AND Z LOADED, 8.3MM MATE LENGTH)

HM-HXXXXX2-8BX1-XXXXX

HEADER POSITION AND TYPE | TAIL STYLE: P = PRESS-FIT TAIL, S = SOLDER TAIL | PLATING

PLATING SPECIFICATIONS:

TG30L = .76µM [30µIN] MIN. GOLD ON CONTACT AREA, LUBRICATED  
2.54µM [100µIN] MIN. TIN/LEAD ON TERMINAL AREA (RIA C2 & E2 APPLY)  
1.27µM [50µIN] MIN. NICKEL ALL OVER.  
TYPICALLY HIGHER MAKE ORDER QUANTITIES AS COMPARED TO TG30.

TG30 = .76µM [30µIN] MIN. GOLD ON CONTACT AREA  
2.54µM [100µIN] MIN. TIN/LEAD ON TERMINAL AREA (RIA C2 & E2 APPLY)  
1.27µM [50µIN] MIN. NICKEL ALL OVER.  
STANDARD OPTION.

TG50 = 1.27µM [50µIN] MIN. GOLD ON CONTACT AREA, LUBRICATED  
2.54µM [100µIN] MIN. TIN/LEAD ON TERMINAL AREA (RIA C2 & E2 APPLY)  
1.27µM [50µIN] MIN. NICKEL ALL OVER.  
NON-STANDARD OPTION (AVAILABLE WITH LONGER LEAD TIMES AND HIGHER MAKE ORDER QUANTITIES, MOQ)

KR = .76µM [30µIN] MIN. GOLD ON CONTACT AREA  
2.54µM [100µIN] MIN. MATTE TIN ON TERMINAL AREA (RIA C2 & E2 APPLY)  
1.27µM [50µIN] MIN. NICKEL ALL OVER.

- \* MODULAR/SCALABLE FORMAT IEC 61076-4-101
- \* PRESS-FIT OF SOLDER TAIL VERSION
- \* 101 MATED LINES PER INCH
- \* SHIPS WITH PROTECTIVE CAP, WHICH ALSO SERVES AS AN INSERTION TOOL
- \* END-TO-END STACKABLE WITH 8 ROW 3M™ HM AND HSHM PRODUCTS
- \* INTEGRATED GUIDE AND GUIDE PIN
- \* MULTI-PURPOSE CENTER (MPC) KEYING AND GUIDANCE
- \* FOUR INTEGRATED 8.25 A POWER CONTACTS AND GUIDE PIN

- NOTES
- MATERIAL:  
PLASTIC: HIGH TEMP LCP, UL94V-0  
PINS: COPPER ALLOY.
  - REGULATORY INFORMATION:  
ROHS COMPLIANT. SEE THE REGULATORY INFORMATION APPENDIX (RIA) IN THE "ROHS COMPLIANCE" SECTION OF WWW.3MCONNECTORS.COM FOR COMPLIANCE INFORMATION (RIA E1 & C1 APPLY)
  - IN THE EVENT OF CONFLICT BETWEEN THIS DATA AND THAT CONTAINED IN THE PRODUCT SPECIFICATION, THE PRODUCT SPECIFICATION TAKES PRECEDENT.

MECHANICAL:

NORMAL FORCE (NOMINAL): .57N [58g] SIGNAL  
ENGAGEMENT FORCE (NOMINAL): .32N [33g] SIGNAL  
SEPARATION FORCE (NOMINAL): .20N [20g] SIGNAL  
WIPE (NOMINAL, SHORTEST CONTACT): 2.67 [.105] SIGNAL  
MATE/UNMATE CYCLES: 250  
APPLICATION: THIS MODULE IS NOT SUITABLE FOR STAND-ALONE USE. (REFER TO IEC-61076-4-101)

ELECTRICAL:

CURRENT RATING (FULLY LOADED): 1A @ 70°C SIGNAL  
INSULATION RESISTANCE: 1 X 10<sup>4</sup> MΩ @ 100 V<sub>DC</sub>  
WITHSTANDING VOLTAGE: 750V<sub>RMS</sub>

ENVIRONMENTAL:

TEMPERATURE RATING: -55°C TO 125°C  
PROCESS RATING: MAX. 260°C (PER J-STD-020C)  
WITHSTANDING VOLTAGE: 1 (PER J-STD-020C)

3M™ ELECTRONIC SOLUTIONS DIVISION  
INTERCONNECT SOLUTIONS  
<http://www.3mconnectors.com>

3M IS A TRADEMARK OF 3M COMPANY.  
FOR TECHNICAL, SALES OR ORDERING  
INFORMATION CALL 800-225-5373

**CAUS**  
UL FILE NO: E68080

DESIGN REFERENCE		NEXT ASSEMBLY	REV	ECO	ISSUE DATE AND DESCRIPTION	DRFT	CHKD
A 39815					MAR 28, 2012	JNC	TS
DIVISION		DIVISION CODE	DATE	DATE	DATE	DATE	DATE
Interconnect Solutions		ISD	CASTIGLIONE	MAR 28, 2012	MFG		
DO NOT SCALE DRAWING		SCALE 5/2	CHKD		APPR	T. SUNIGA	MAR 28, 2012
THIRD ANGLE PROJECTION		TOLERANCES EXCEPT AS NOTED	© 3M COPYRIGHT 2012 This document and the information it contains are 3M property and may not be reproduced or further distributed without 3M permission, or used or disclosed other than for 3M authorized purposes. All rights reserved.				
INTERPRET PER ASME Y14.5 - 1994		TOLERANCES EXCEPT AS NOTED	TITLE HM PRESS-FIT HEADER, 8-ROW, HM SERIES				
MAX SURFACE ROUGHNESS		TOLERANCES EXCEPT AS NOTED	CAGE NUMBER D 78-5100-2517-0				
MARKED ONLY		TOLERANCES EXCEPT AS NOTED	MODEL D 78-5100-2517-0				

78-5100-2517-0  
DRAWING NUMBER

A  
REVISION

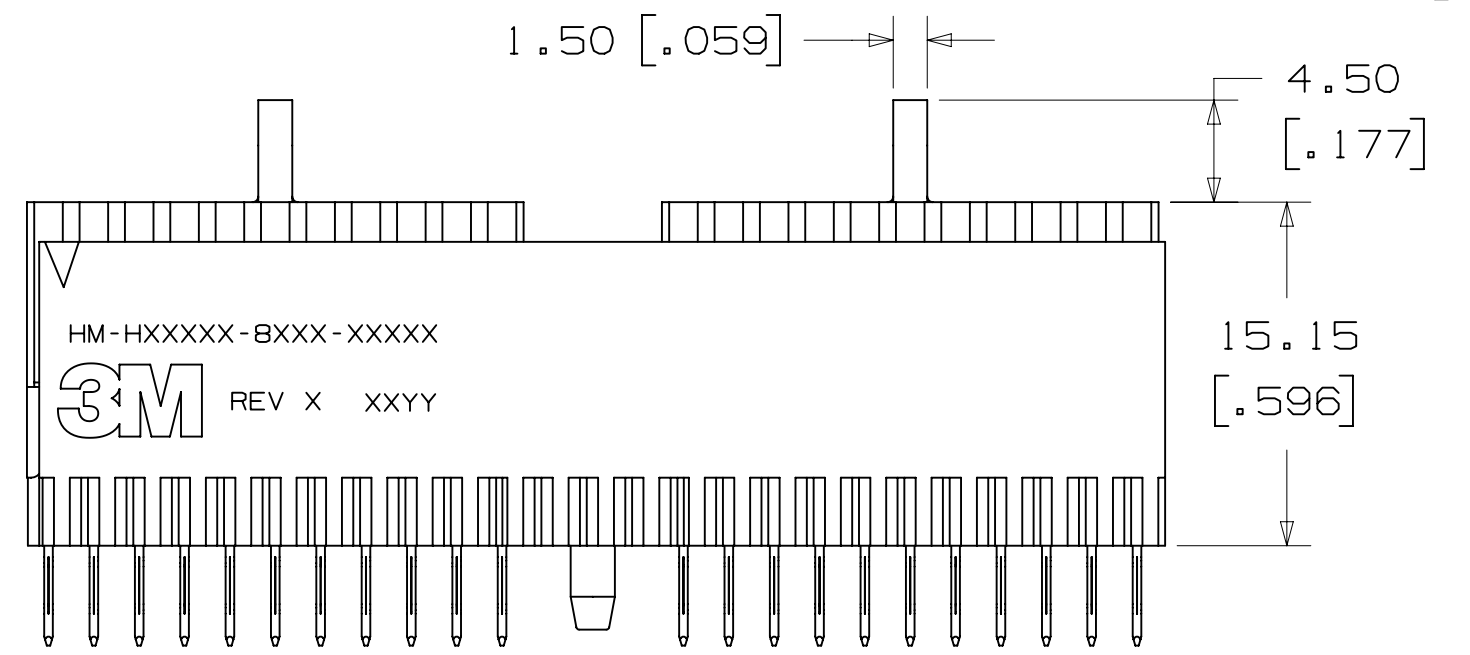
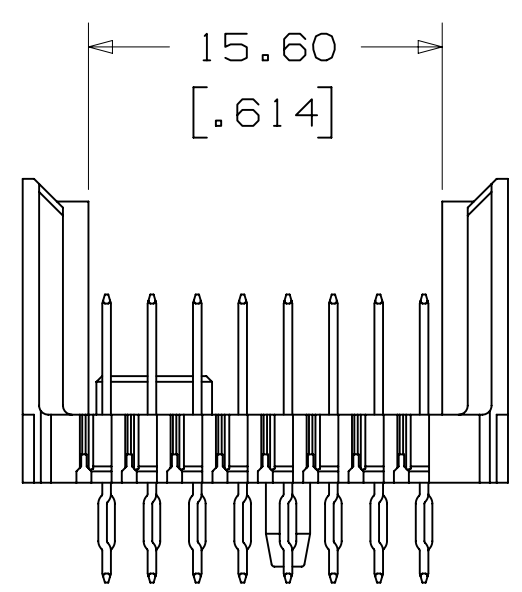
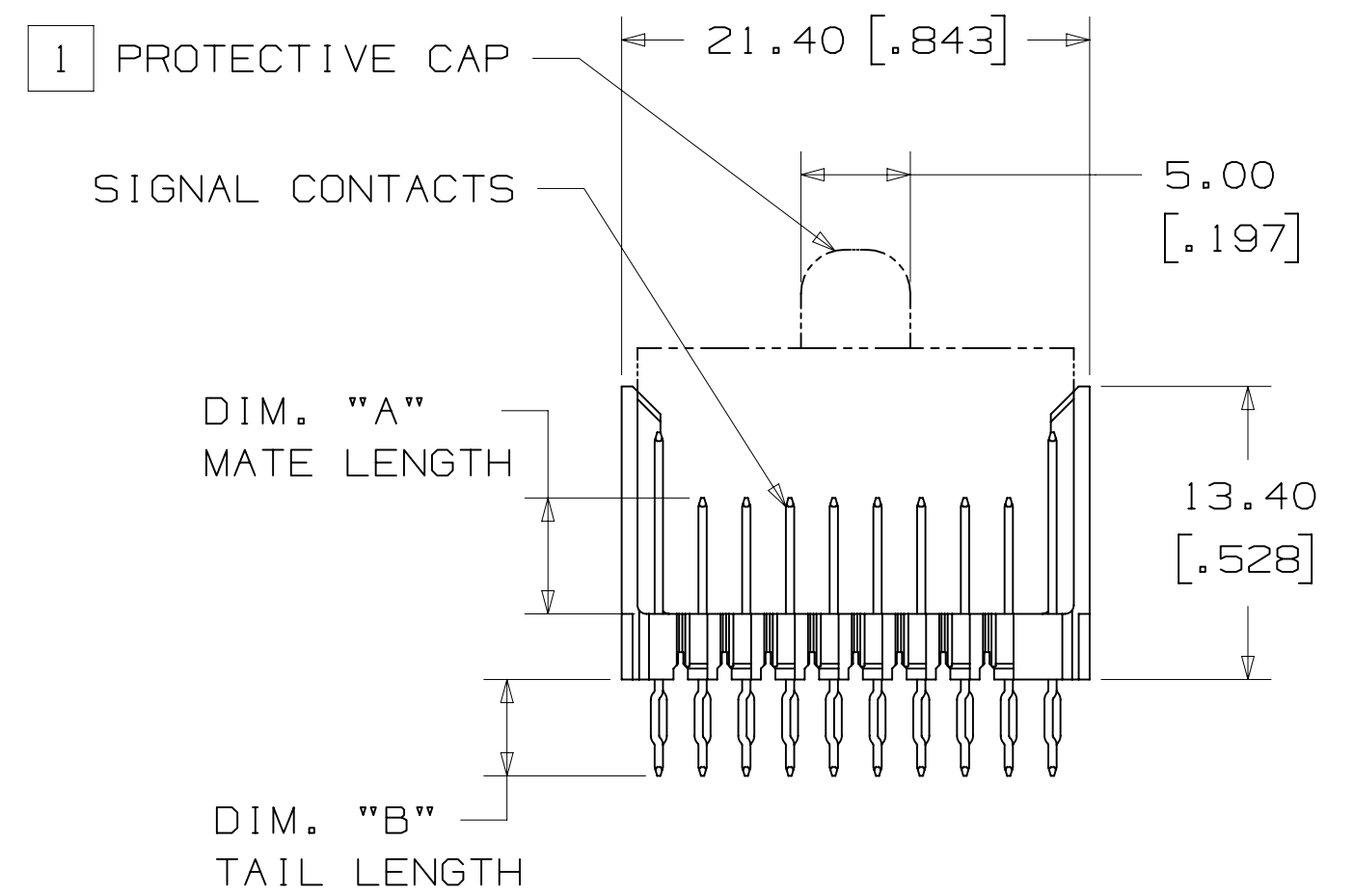
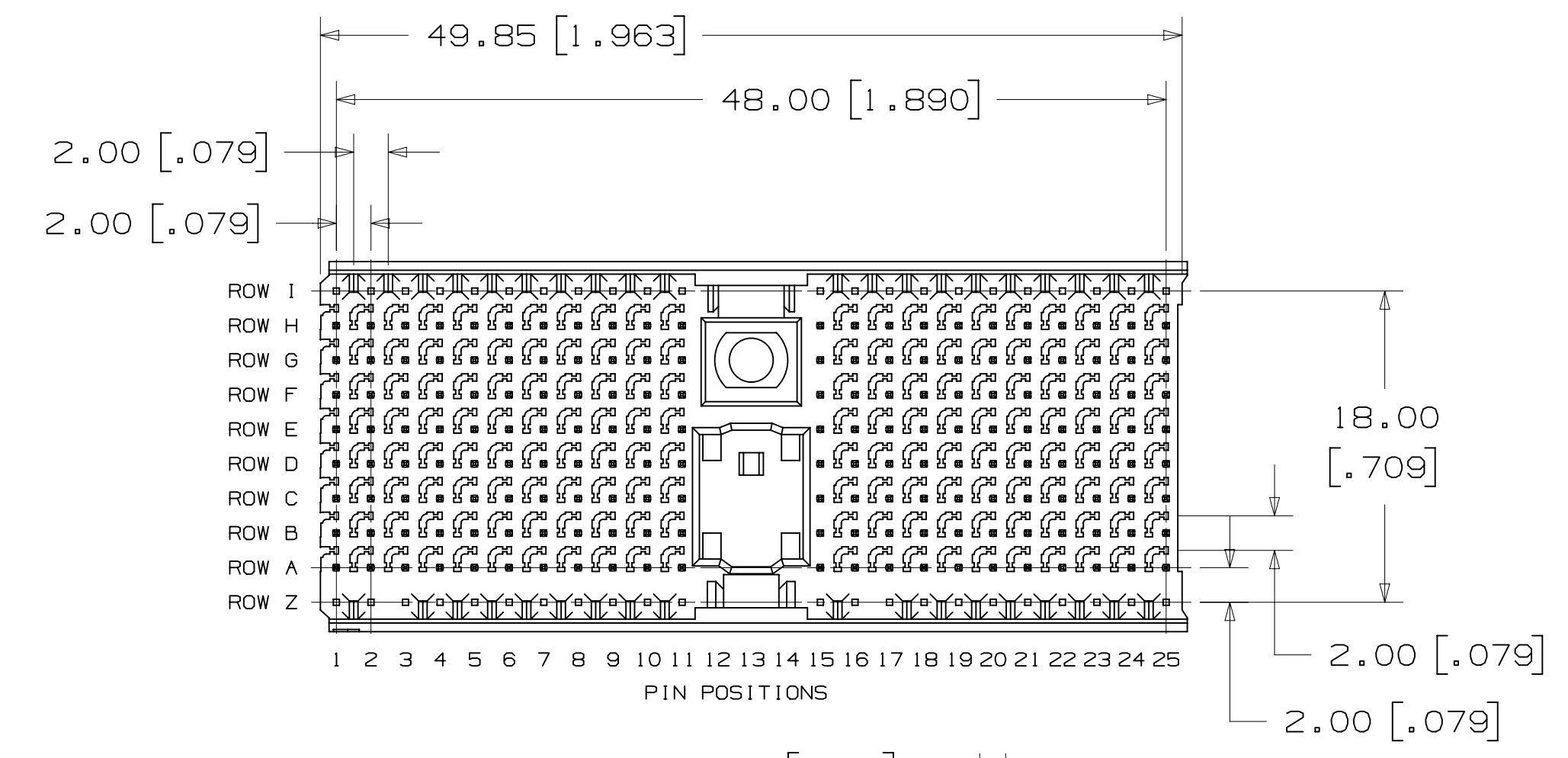
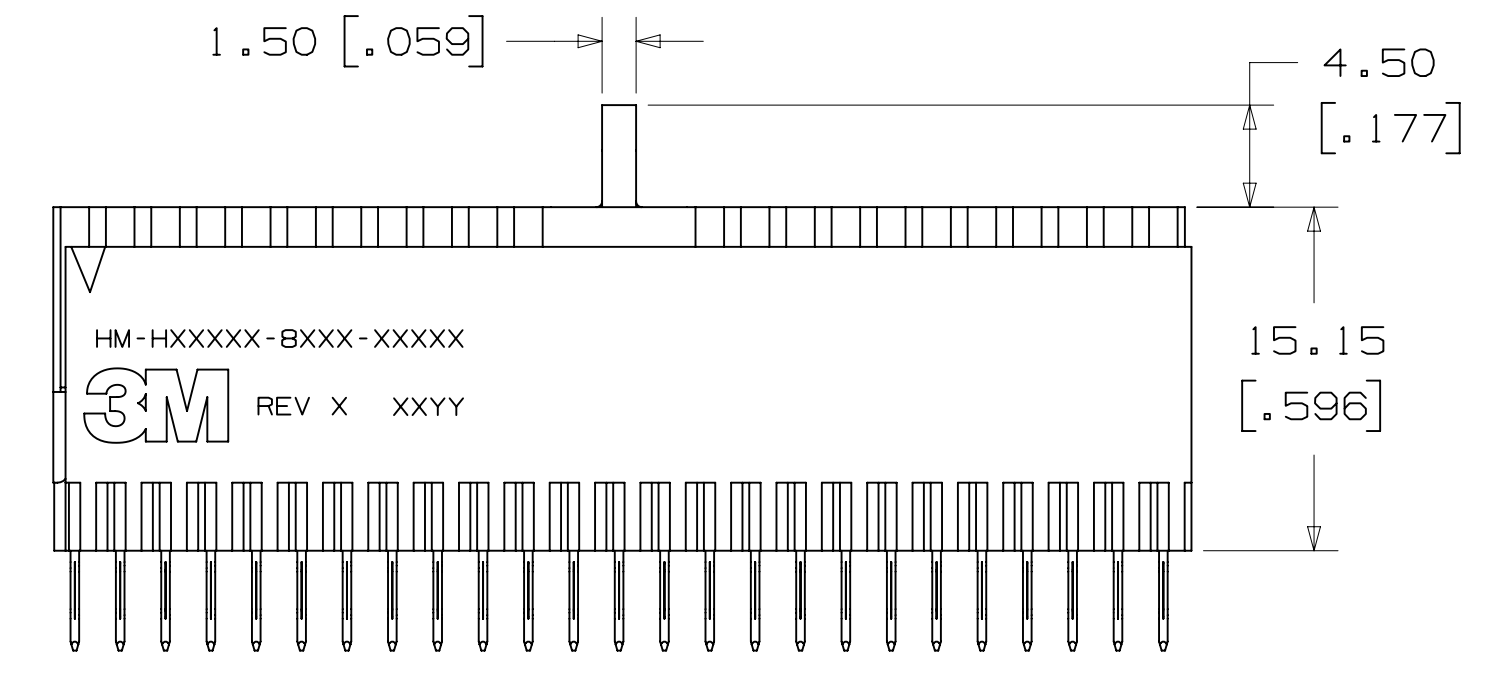
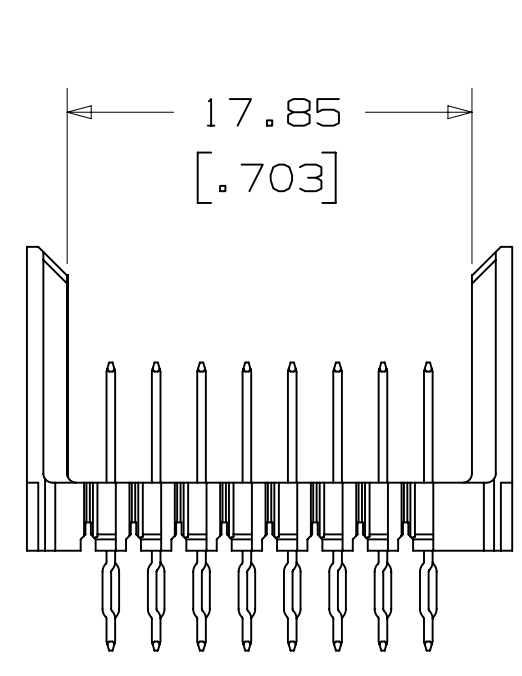
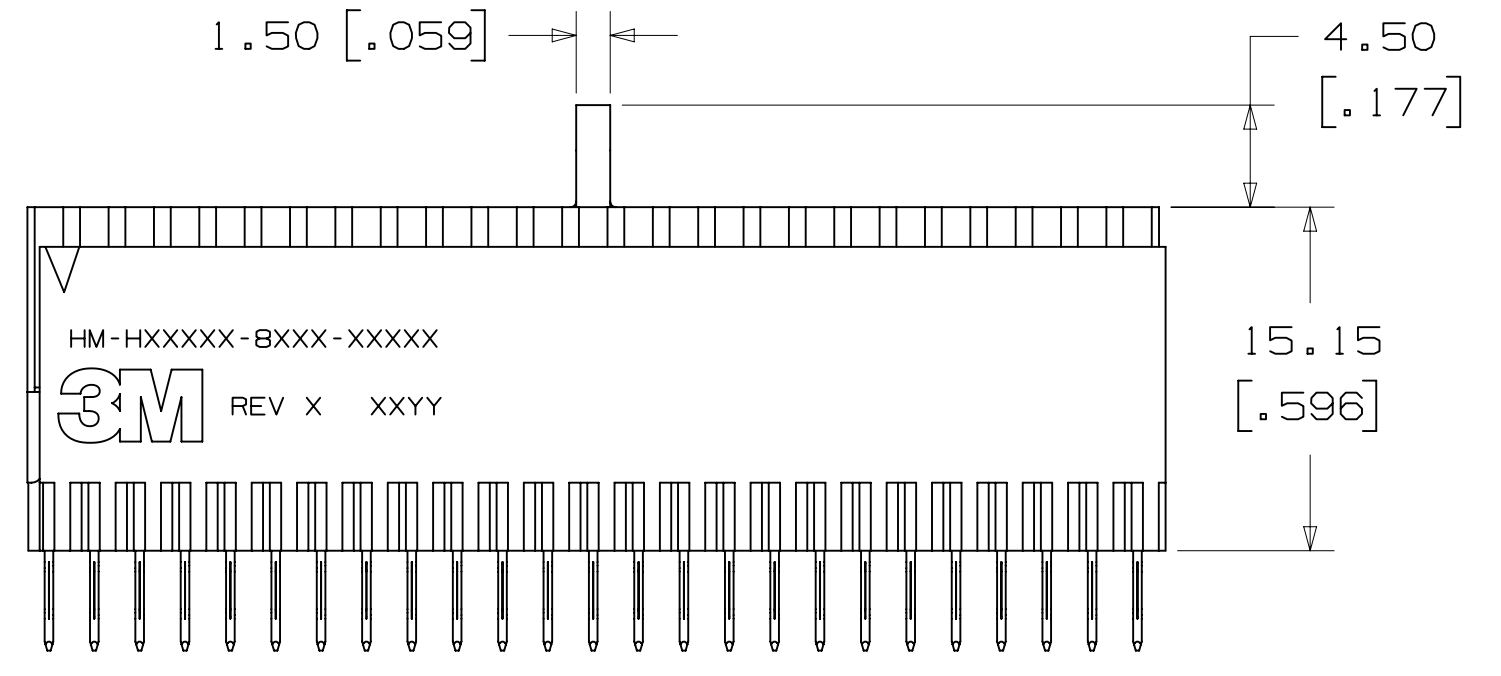
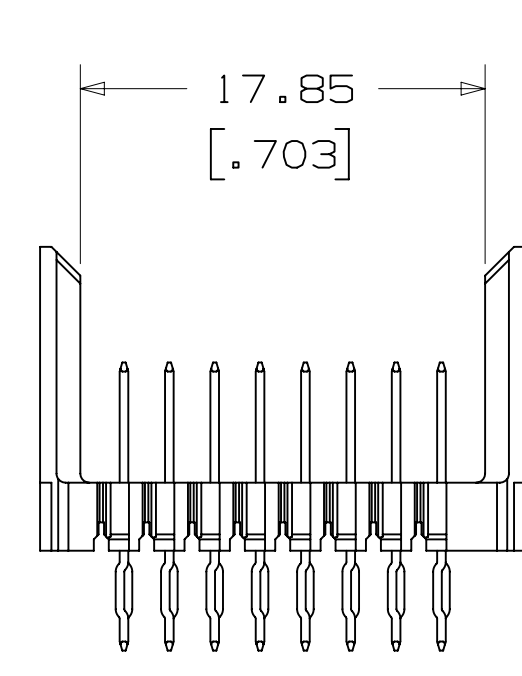
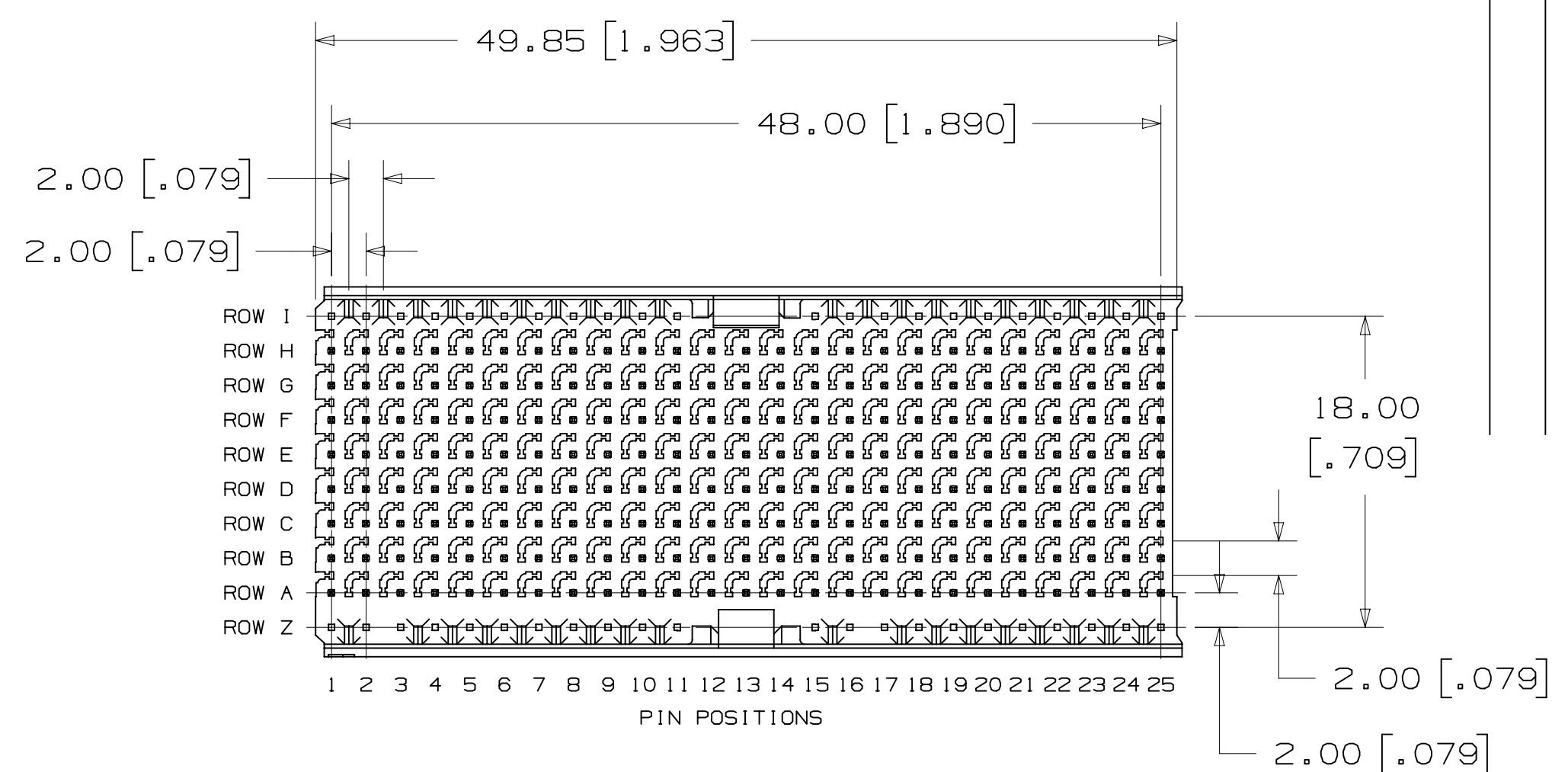
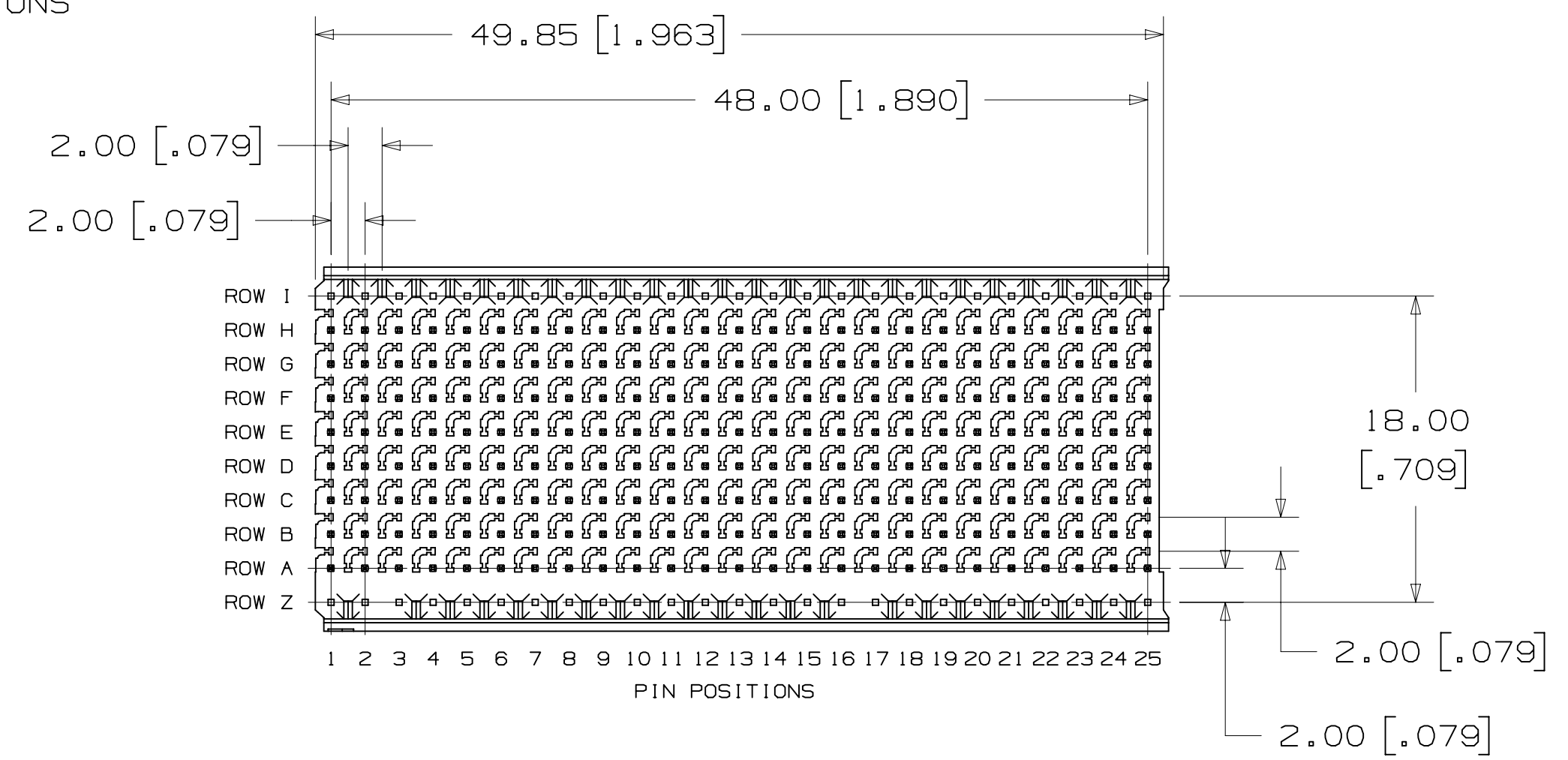
B

A

SHT 1 OF 4

3M™ HM PRESS-FIT HEADER, 8-ROW, HM SERIES  
FOR HARD METRIC APPLICATIONS

NOTES  
1 CAPS TO BE REMOVED AFTER PRESS-FIT INSTALLATION PROCESS.

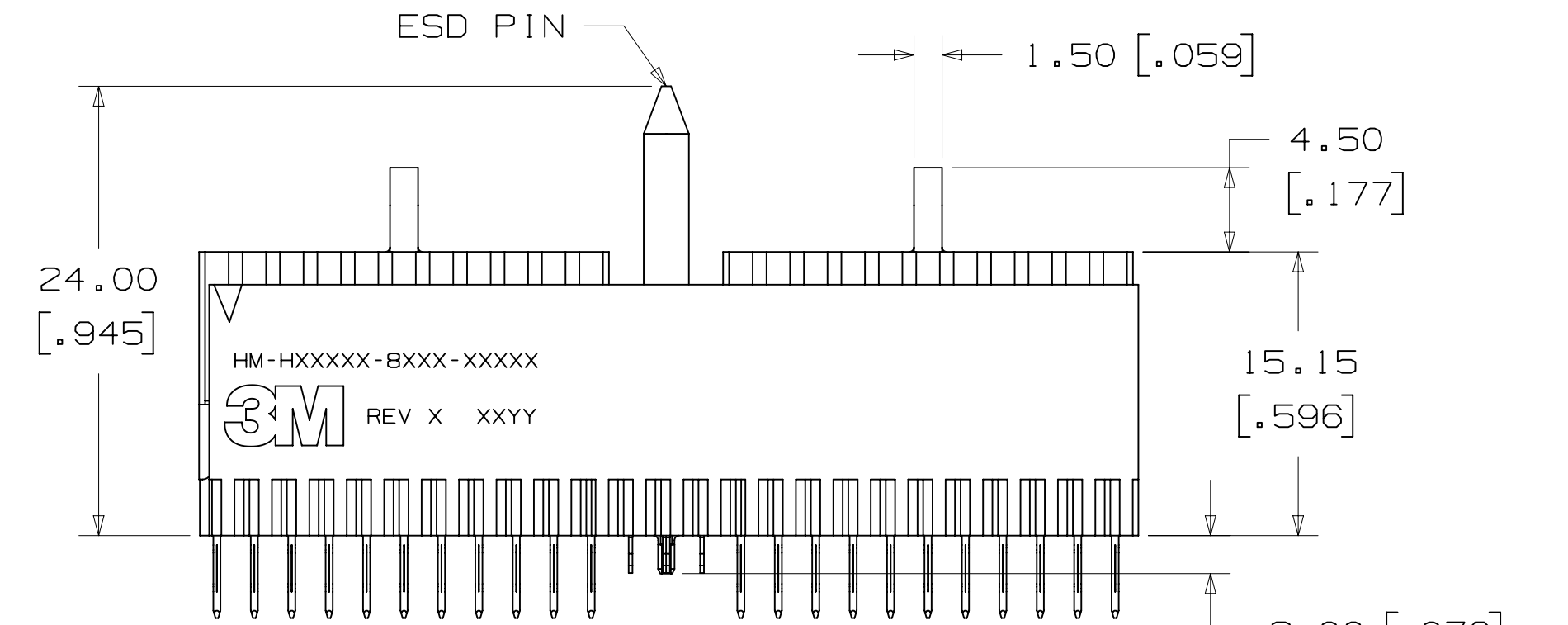
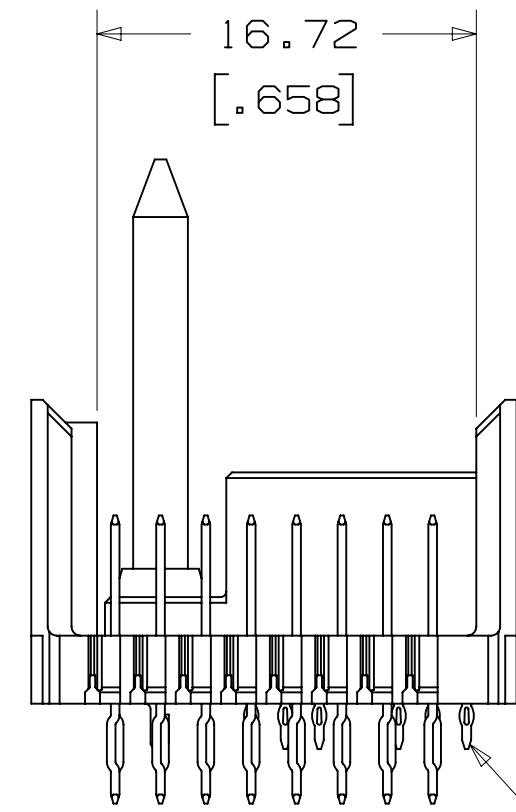
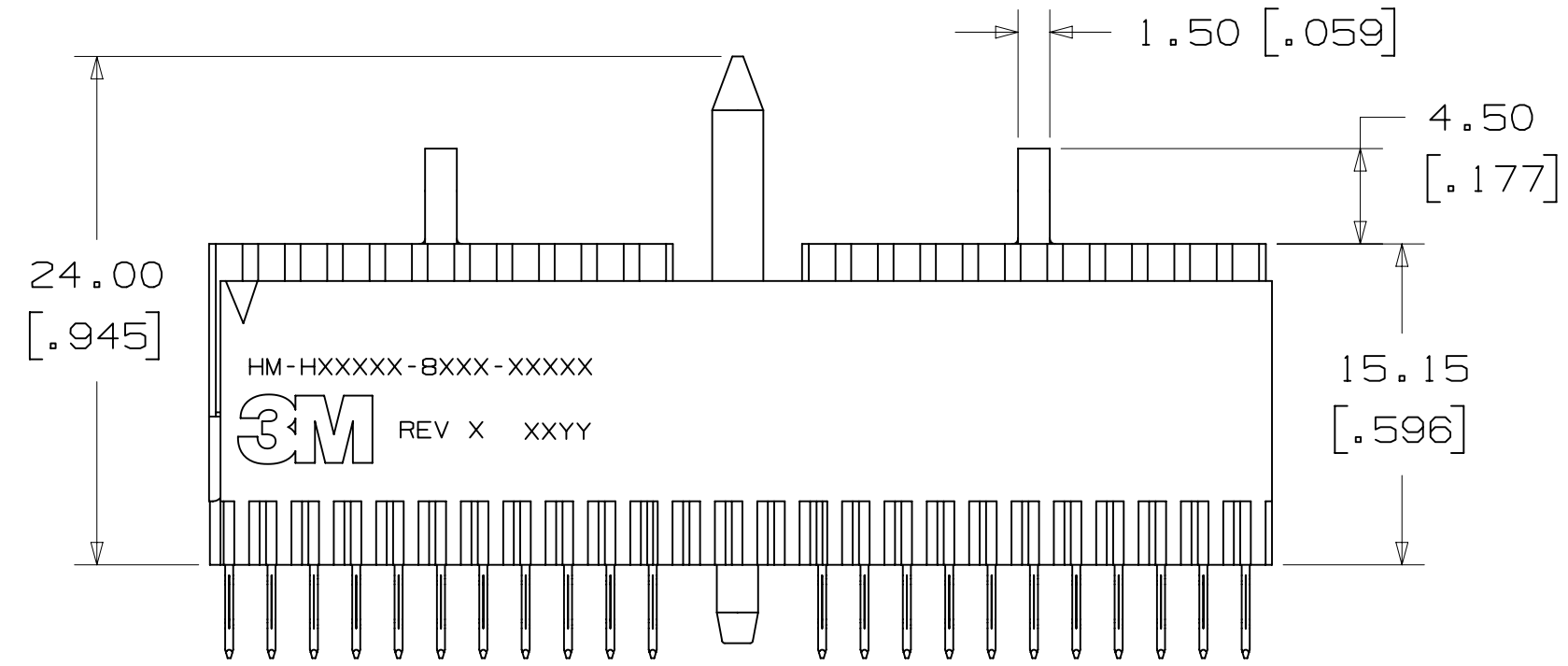
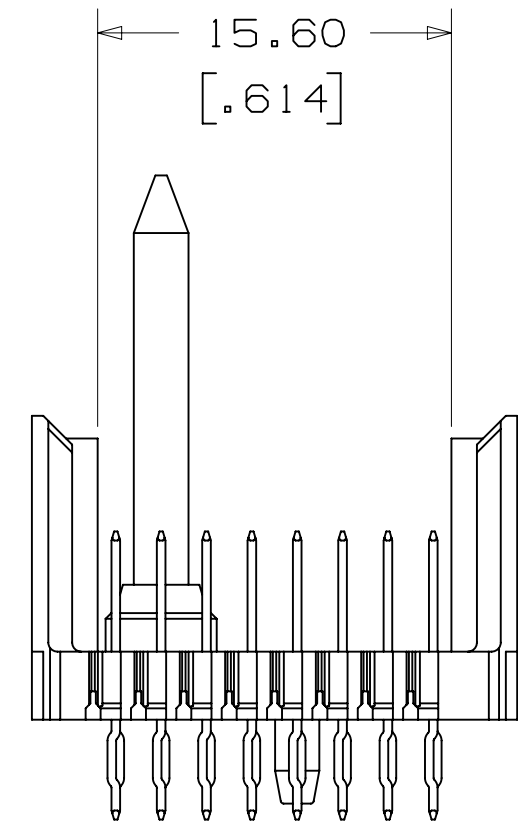
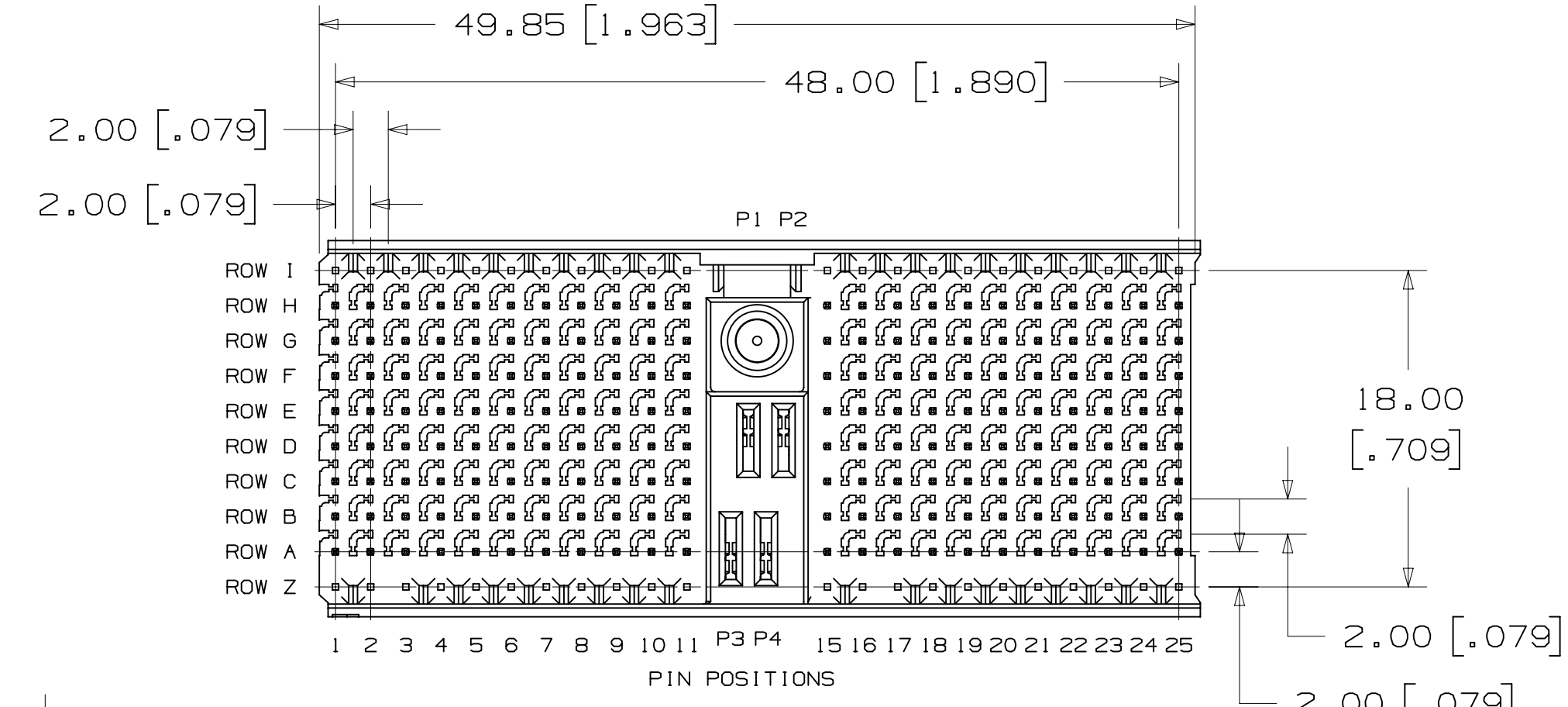
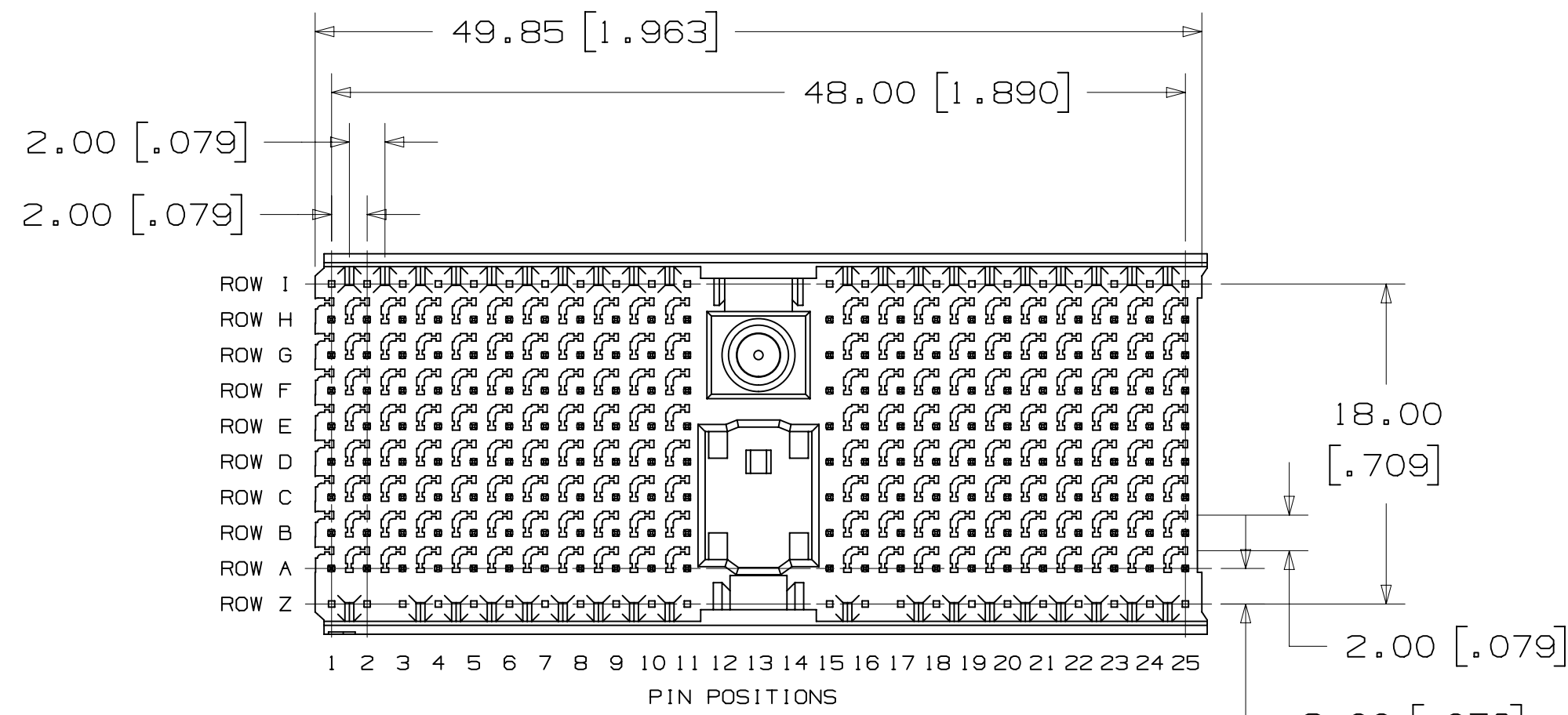


STANDARD CONFIGURATION  
DIM. "A" 5.3 [.21] FOR ROWS A THRU H  
DIM. "B" 4.4 [.17] EXCEPT AS NOTED  
FOR NON-STANDARD CONFIGURATIONS CONTACT A 3M SALES REPRESENTATIVE

DESIGN REFERENCE	NEXT ASSEMBLY	REV	ECO	ISSUE DATE AND DESCRIPTION	DRFT	CHKD	
		A	39815	MAR 28, 2012 PRODUCTION RELEASE	JNC	TS	
DIVISION		SCALE		TOLERANCES EXCEPT AS NOTED		MILLIMETERS	
Interconnect Solutions		3		NOTED		0 ±	
DO NOT SCALE DRAWING		1				0 ±	
THIRD ANGLE PROJECTION						0 ±	
INTERPRET PER ASME Y14.5 - 1994						0 ±	
MAX SURFACE ROUGHNESS						0 ±	
SURFACES						0 ±	
MARKED ONLY						0 ±	
CAGE NUMBER		DRAWING NO.		REV.		SHT 2 OF 4	
D		78-5100-2517-0		A			

78-5100-2517-0  
DRAWING NUMBER

3M™ HM PRESS-FIT HEADER, 8-ROW, HM SERIES  
FOR HARD METRIC APPLICATIONS



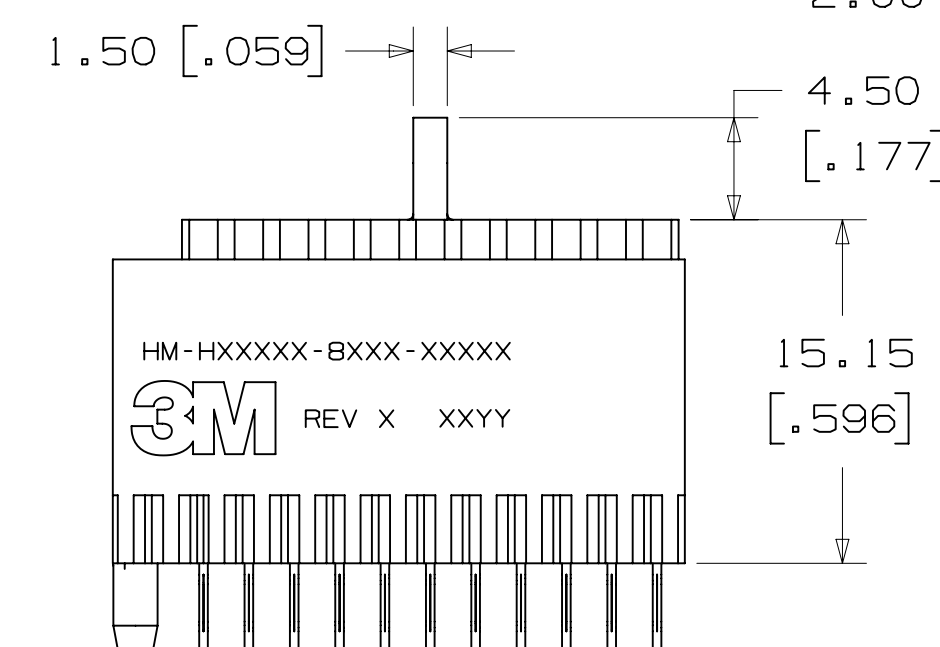
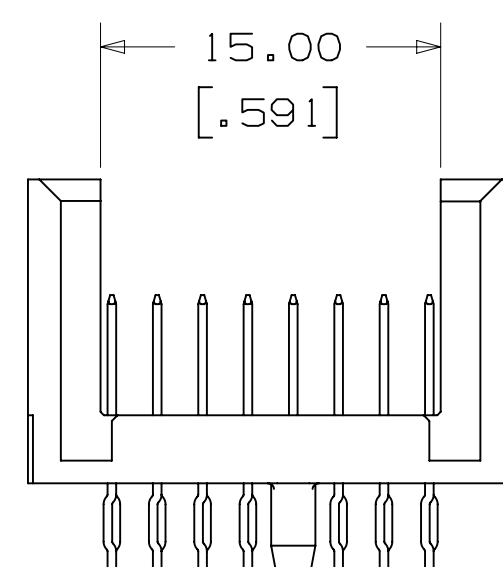
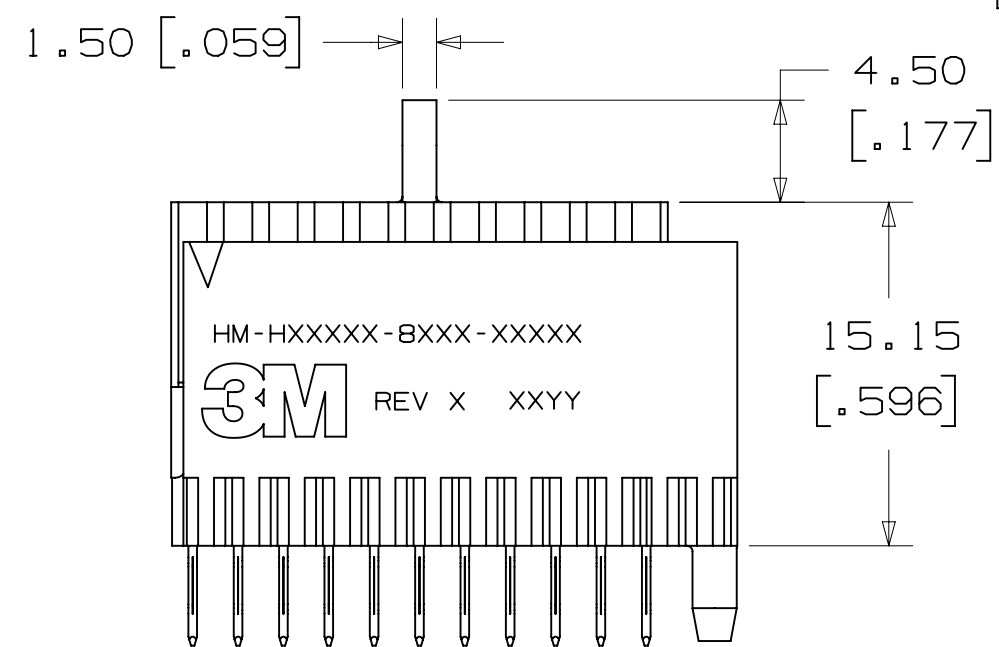
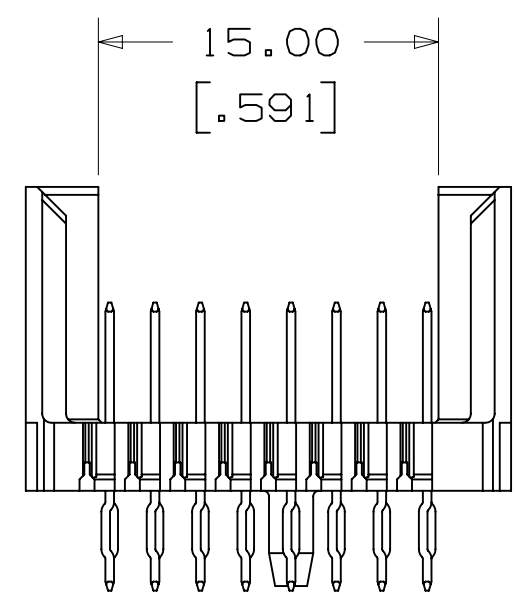
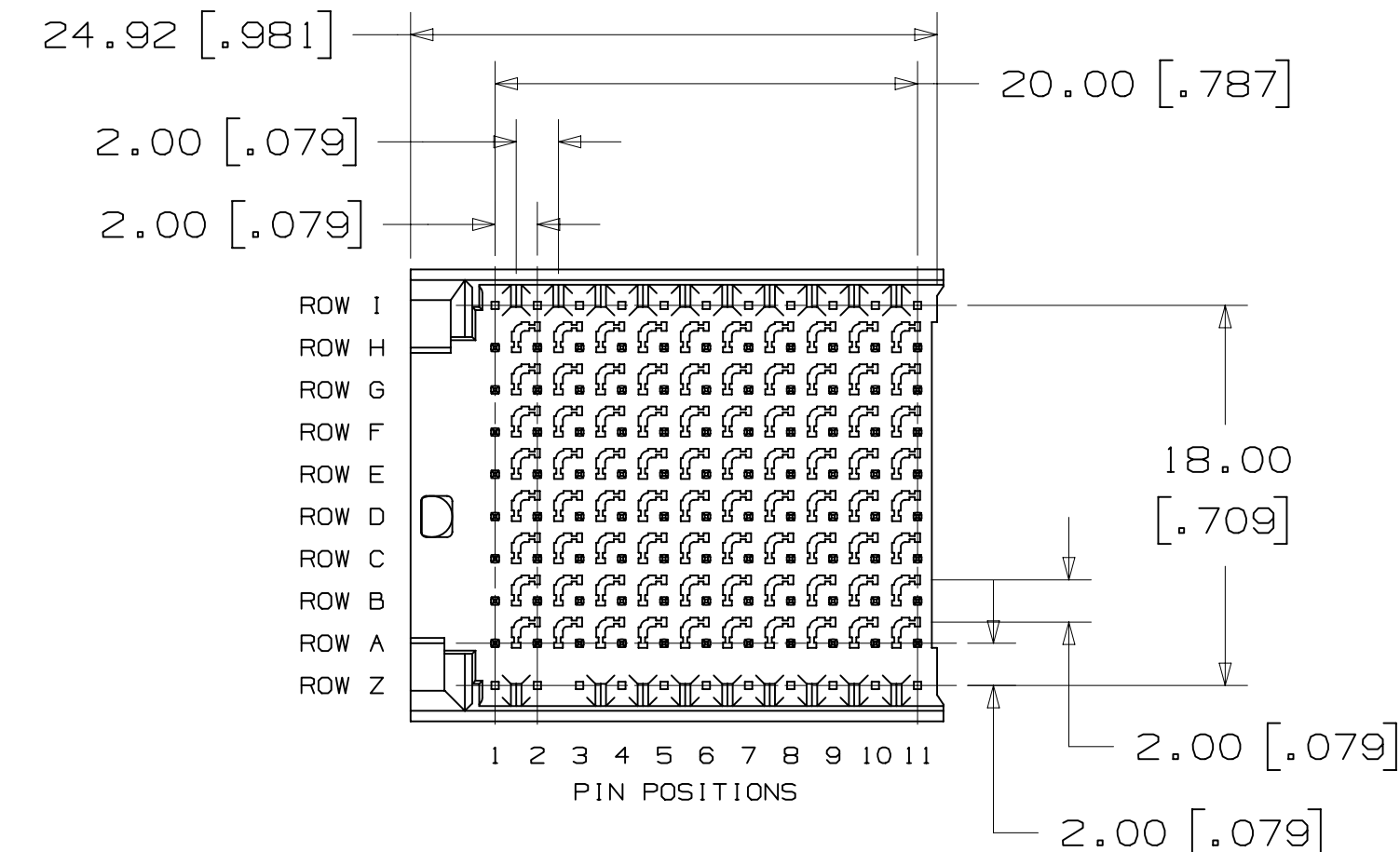
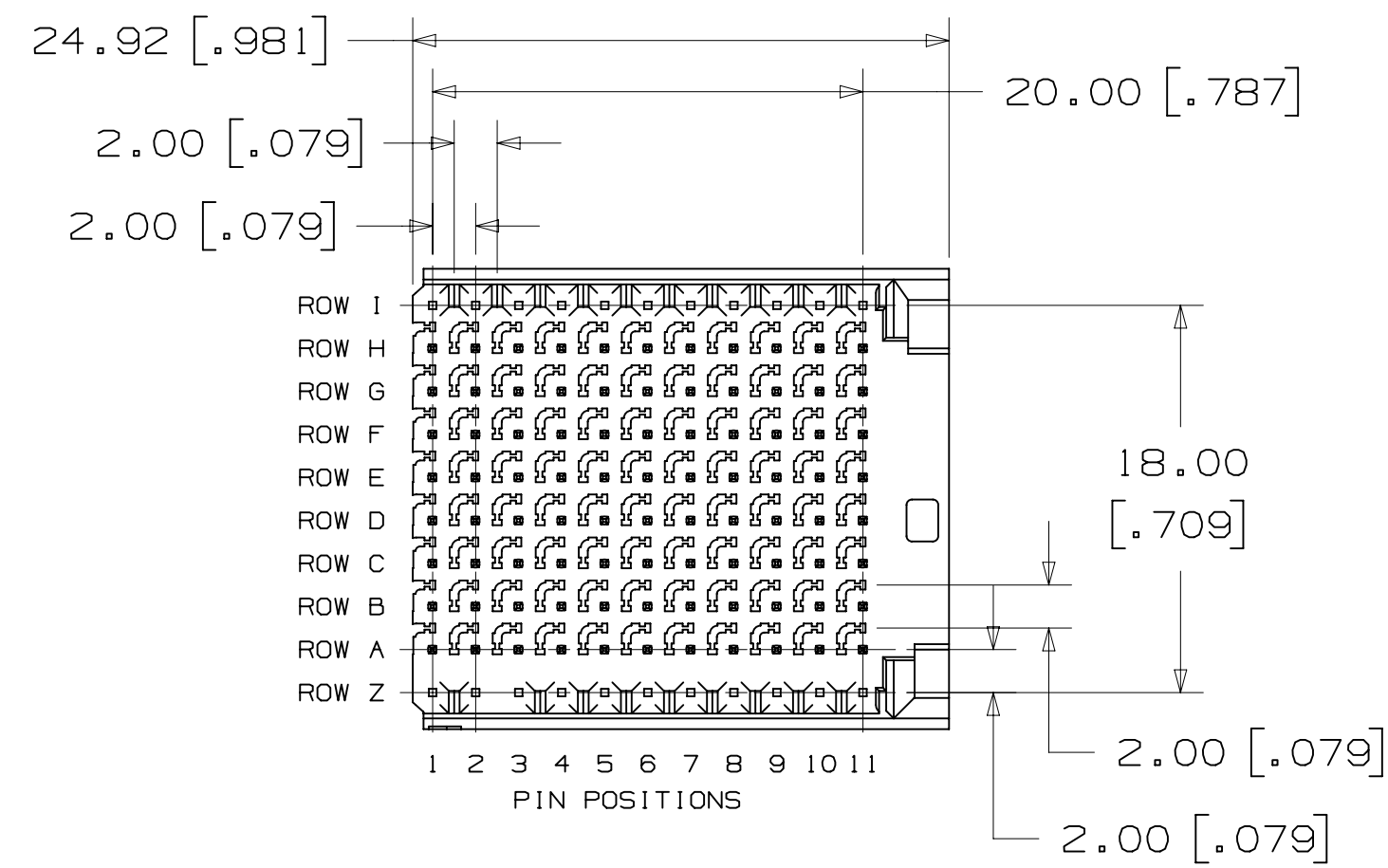
HM-H176DG1-8CX1  
HM-H220DG2-8BX1

POWER TAILS  
(4 CONTACTS,  
12 LEADS)

HM-H176DPWR1-8CXX  
HM-H220DPWR2-8BXX

ESD PIN TAIL  
LENGTH

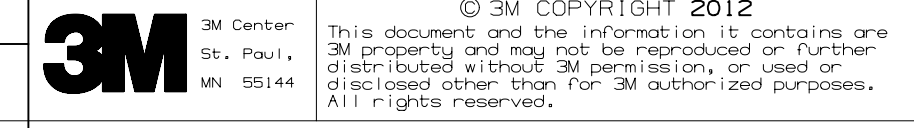
DIM. "B" TAIL LENGTH  
1 = 4.4 [.17] PIN, 2.0 [.08] POWER  
AND 2.0 [.08] ESD  
2 = 4.4 [.17] PIN, 4.4 [.17] POWER  
AND 2.0 [.08] ESD



HM-H088FL1-8CX1  
HM-H110FL2-8BX1

HM-H088FR1-8CX1  
HM-H110FR2-8BXX1

DESIGN REFERENCE	NEXT ASSEMBLY	REV	ECO	ISSUE DATE AND DESCRIPTION	DRFT	CHKD
				MAR 28, 2012		
DIVISION		DIVISION CODE		DATE		
Interconnect Solutions		ISD		MAR 28, 2012		
DO NOT SCALE DRAWING		SCALE 3/1		TOLERANCES EXCEPT AS NOTED		
THIRD ANGLE PROJECTION		INTERPRET PER ASME Y14.5 - 1994		MILLIMETERS		
MAX SURFACE ROUGHNESS		SURFACES		INCHES		
MARKED ONLY		ANGLES		MILLIMETERS		
CAGE NUMBER		SIZE	DRAWING NO.	REV.		
D78-5100-2517-0				A		
MODEL		SHT		3 OF 4		



HM PRESS-FIT HEADER,  
8-ROW, HM SERIES

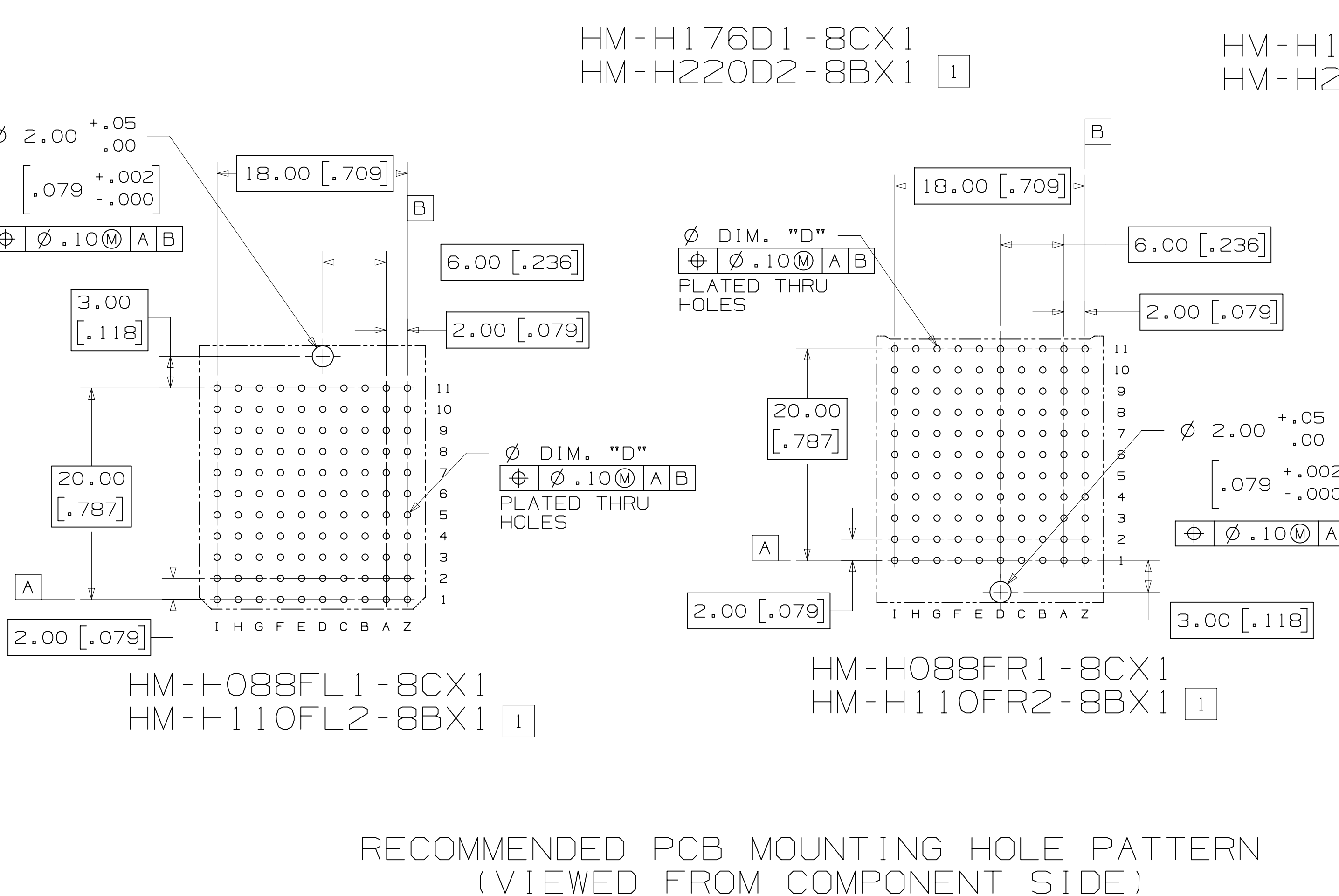
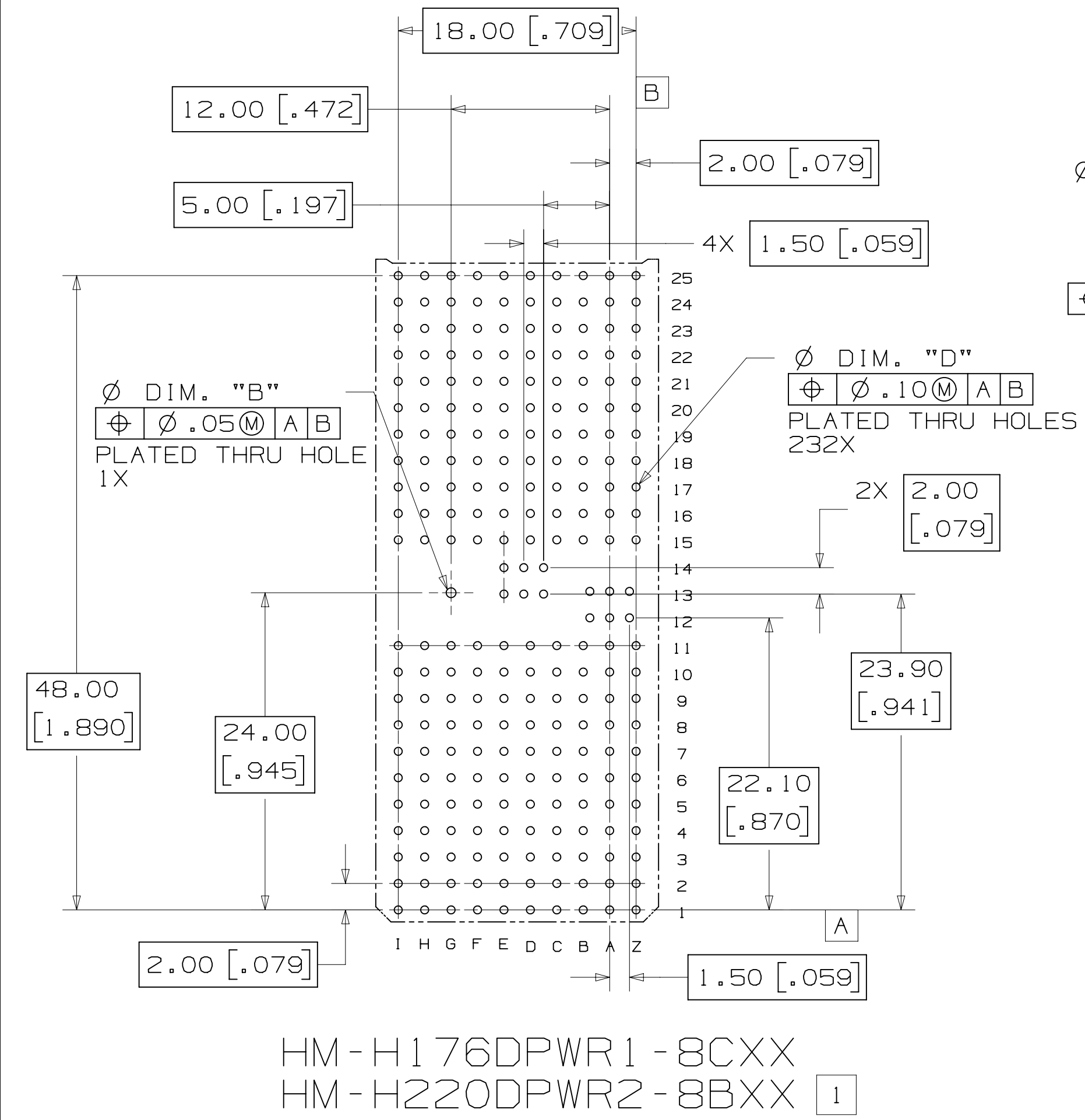
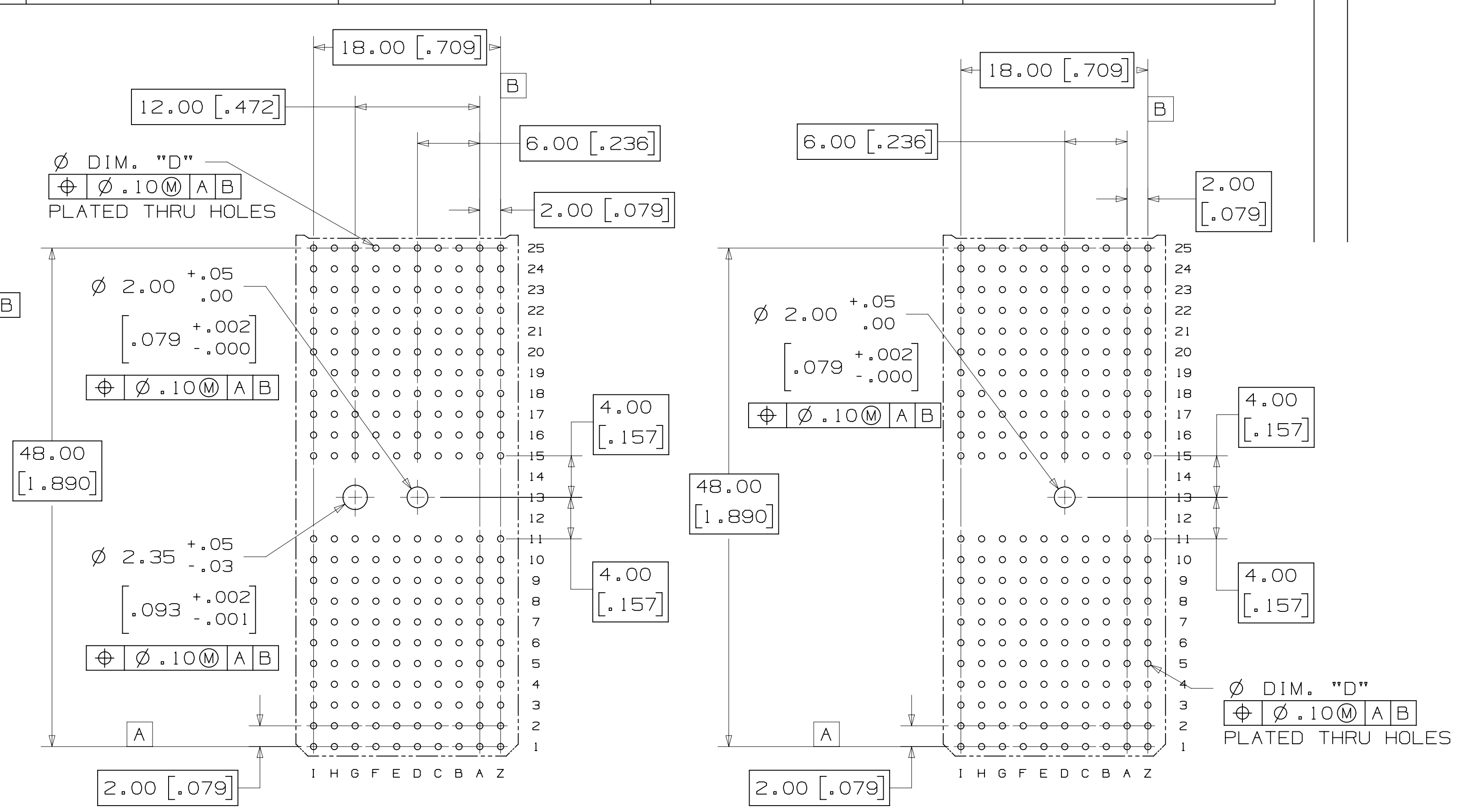
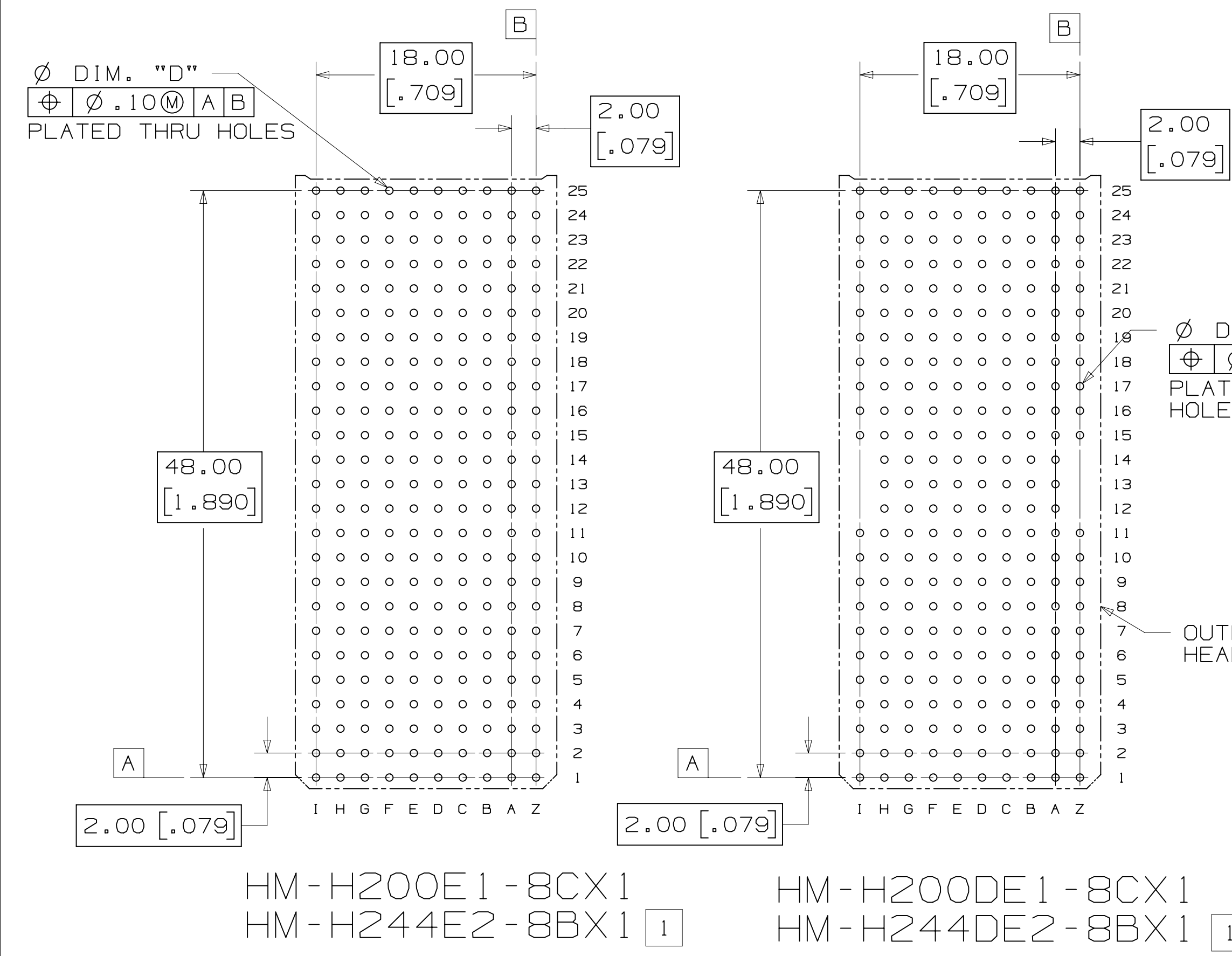
78-5100-2517-0  
DRAWING NUMBER

A

3M™ HM PRESS-FIT HEADER, 8-ROW, HM SERIES  
FOR HARD METRIC APPLICATIONS

HOLE	HOLE PLATING TABLE			
	(FINISHED HOLE)	Cu THICKNESS	SnPb THICKNESS	DRILLED HOLE DIA.
DIM. "B"	.690-.790 [.0270-.0310]	.025-.045 [.0010-.0018]	.008-.018 [.0003-.0007]	.810-.860 [.0320-.0340]
DIM. "D"	.550-.650 [.0217-.0256]	.025-.045 [.0010-.0018]	.008-.018 [.0003-.0007]	.686-.727 [.0270-.0286]

1] ROW 1 AND Z HOLES ARE ONLY USED FOR HM-HXXXX2-8BX1 STYLE HEADER.



RECOMMENDED PCB MOUNTING HOLE PATTERN  
(VIEWED FROM COMPONENT SIDE)

DESIGN REFERENCE	NEXT ASSEMBLY	REV	ECO	ISSUE DATE AND DESCRIPTION	DRFT	CHKD
		A	39815	MAR 28, 2012	JNC	TS
				PRODUCTION RELEASE		
DESIGNER		DATE		MFG DATE		DATE
CASTIGLIONE		MAR 28, 2012				MAR 28, 2012
CHKD		DATE		APPR		DATE
				T. SUNIGA		MAR 28, 2012
DIVISION		DIVISION CODE		DATE		
Interconnect Solutions		ISD				
DO NOT SCALE DRAWING	SCALE 1	TOLERANCES EXCEPT AS NOTED		3M		
THIRD ANGLE PROJECTION		INCHES		© 3M COPYRIGHT 2012		
INTERPRET PER ASME Y14.5 - 1994		MILLIMETERS		This document and the information it contains are 3M property and may not be reproduced or further distributed without 3M permission, or used or disclosed other than for 3M authorized purposes. All rights reserved.		
MAX SURFACE ROUGHNESS		ANGLES		TITLE		
L SURFACES				HM PRESS-FIT HEADER, 8-ROW, HM SERIES		
MARKED ONLY				CAGE NUMBER		
				D 78-5100-2517-0		
				REV. A		
				SHT 4 OF 4		

78-5100-2517-0  
DRAWING NUMBER





Компания «ЭлектроПласт» предлагает заключение долгосрочных отношений при поставках импортных электронных компонентов на взаимовыгодных условиях!

Наши преимущества:

- Оперативные поставки широкого спектра электронных компонентов отечественного и импортного производства напрямую от производителей и с крупнейших мировых складов;
- Поставка более 17-ти миллионов наименований электронных компонентов;
- Поставка сложных, дефицитных, либо снятых с производства позиций;
- Оперативные сроки поставки под заказ (от 5 рабочих дней);
- Экспресс доставка в любую точку России;
- Техническая поддержка проекта, помощь в подборе аналогов, поставка прототипов;
- Система менеджмента качества сертифицирована по Международному стандарту ISO 9001;
- Лицензия ФСБ на осуществление работ с использованием сведений, составляющих государственную тайну;
- Поставка специализированных компонентов (Xilinx, Altera, Analog Devices, Intersil, Interpoint, Microsemi, Aeroflex, Peregrine, Syfer, Eurofarad, Texas Instrument, Miteq, Cobham, E2V, MA-COM, Hittite, Mini-Circuits, General Dynamics и др.);

Помимо этого, одним из направлений компании «ЭлектроПласт» является направление «Источники питания». Мы предлагаем Вам помощь Конструкторского отдела:

- Подбор оптимального решения, техническое обоснование при выборе компонента;
- Подбор аналогов;
- Консультации по применению компонента;
- Поставка образцов и прототипов;
- Техническая поддержка проекта;
- Защита от снятия компонента с производства.



#### Как с нами связаться

**Телефон:** 8 (812) 309 58 32 (многоканальный)

**Факс:** 8 (812) 320-02-42

**Электронная почта:** [org@eplast1.ru](mailto:org@eplast1.ru)

**Адрес:** 198099, г. Санкт-Петербург, ул. Калинина, дом 2, корпус 4, литера А.