

# TIP29, A, B, C (NPN), TIP30, A, B, C (PNP)



**ON Semiconductor®**

<http://onsemi.com>

## Complementary Silicon Plastic Power Transistors

Designed for use in general purpose amplifier and switching applications. Compact TO-220 AB package.

### Features

- Pb-Free Packages are Available\*

### MAXIMUM RATINGS

| Rating   | Symbol         | 29<br>30     | 29A<br>30A | 29B<br>30B | 29C<br>30C | Unit                     |
|--|----------------|--------------|------------|------------|------------|--------------------------|
| Collector – Emitter Voltage  | $V_{CE0}$      | 40           | 60         | 80         | 100        | Vdc                      |
| Collector – Base Voltage   | $V_{CB}$       | 40           | 60         | 80         | 100        | Vdc                      |
| Emitter – Base Voltage   | $V_{EB}$       | 5.0          |            |            |            | Vdc                      |
| Collector Current<br>– Continuous<br>– Peak  | $I_C$          | 1.0<br>3.0   |            |            |            | A dc                     |
| Base Current   | $I_B$          | 0.4          |            |            |            | A dc                     |
| Total Power Dissipation<br>@ $T_C = 25^\circ\text{C}$<br>Derate above $25^\circ\text{C}$ | $P_D$          | 30<br>0.24   |            |            |            | W<br>W/ $^\circ\text{C}$ |
| Total Power Dissipation<br>@ $T_A = 25^\circ\text{C}$<br>Derate above $25^\circ\text{C}$ | $P_D$          | 2.0<br>0.016 |            |            |            | W<br>W/ $^\circ\text{C}$ |
| Unclamped Inductive Load Energy (Note 1)   | E              | 32           |            |            |            | mJ                       |
| Operating and Storage Junction Temperature Range   | $T_J, T_{stg}$ | –65 to +150  |            |            |            | $^\circ\text{C}$         |

### THERMAL CHARACTERISTICS

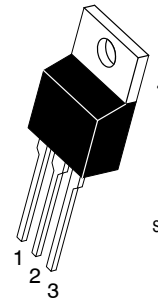
| Characteristic                          | Symbol          | Max   | Unit                      |
|---|-----------------|-------|---------------------------|
| Thermal Resistance, Junction-to-Ambient | $R_{\theta JA}$ | 62.5  | $^\circ\text{C}/\text{W}$ |
| Thermal Resistance, Junction-to-Case    | $R_{\theta JC}$ | 4.167 | $^\circ\text{C}/\text{W}$ |

Stresses exceeding Maximum Ratings may damage the device. Maximum Ratings are stress ratings only. Functional operation above the Recommended Operating Conditions is not implied. Extended exposure to stresses above the Recommended Operating Conditions may affect device reliability.

- This rating based on testing with  $L_C = 20$  mH,  $R_{BE} = 100 \Omega$ ,  $V_{CC} = 10$  V,  $I_C = 1.8$  A, P.R.F. = 10 Hz

\*For additional information on our Pb-Free strategy and soldering details, please download the ON Semiconductor Soldering and Mounting Techniques Reference Manual, SOLDERRM/D.

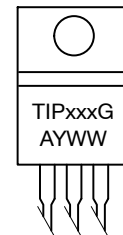
## 1 AMPERE POWER TRANSISTORS COMPLEMENTARY SILICON 40, 60, 80, 100 VOLTS, 80 WATTS



TO-220AB  
CASE 221A  
STYLE 1

STYLE 1:  
PIN 1. BASE  
2. COLLECTOR  
3. EMITTER  
4. COLLECTOR

### MARKING DIAGRAM



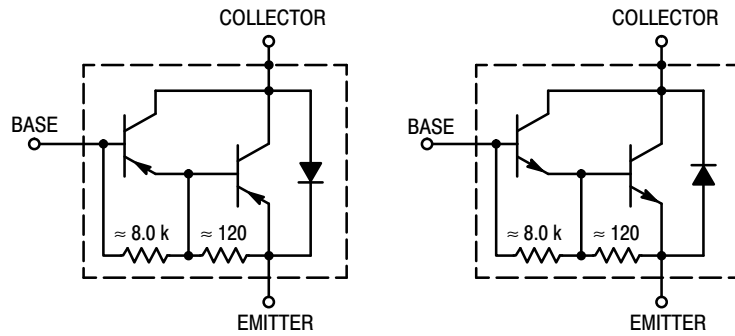
TIPxxx = Device Code:  
29, 29A, 29B, 29C  
30, 30A, 30B, 30C

A = Assembly Location  
Y = Year  
WW = Work Week  
G = Pb-Free Package

### ORDERING INFORMATION

See detailed ordering and shipping information in the package dimensions section on page 2 of this data sheet.

## TIP29, A, B, C (NPN), TIP30, A, B, C (PNP)



**Figure 1. Darlington Circuit Schematic**

### ORDERING INFORMATION

| Device  | Package             | Shipping        |
|---------|---------------------|-----------------|
| TIP29   | TO-220              | 50 Units / Rail |
| TIP29G  | TO-220<br>(Pb-Free) | 50 Units / Rail |
| TIP29A  | TO-220              | 50 Units / Rail |
| TIP29AG | TO-220<br>(Pb-Free) | 50 Units / Rail |
| TIP29B  | TO-220              | 50 Units / Rail |
| TIP29BG | TO-220<br>(Pb-Free) | 50 Units / Rail |
| TIP29C  | TO-220              | 50 Units / Rail |
| TIP29CG | TO-220<br>(Pb-Free) | 50 Units / Rail |
| TIP30   | TO-220              | 50 Units / Rail |
| TIP30G  | TO-220<br>(Pb-Free) | 50 Units / Rail |
| TIP30A  | TO-220              | 50 Units / Rail |
| TIP30AG | TO-220<br>(Pb-Free) | 50 Units / Rail |
| TIP30B  | TO-220              | 50 Units / Rail |
| TIP30BG | TO-220<br>(Pb-Free) | 50 Units / Rail |
| TIP30C  | TO-220              | 50 Units / Rail |
| TIP30CG | TO-220<br>(Pb-Free) | 50 Units / Rail |

## TIP29, A, B, C (NPN), TIP30, A, B, C (PNP)

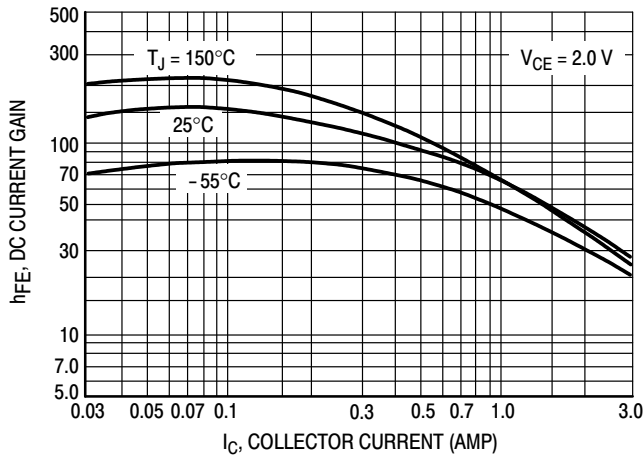
### ELECTRICAL CHARACTERISTICS ( $T_C = 25^\circ\text{C}$ unless otherwise noted)

| Characteristic  | Symbol         | Min                   | Max                      | Unit            |
|---|----------------|-----------------------|--------------------------|-----------------|
| <b>OFF CHARACTERISTICS</b>  |                |                       |                          |                 |
| Collector-Emitter Sustaining Voltage ( $I_C = 30\text{ mAdc}$ , $I_B = 0$ ) (Note 2)<br>TIP29, TIP30<br>TIP29A, TIP30A<br>TIP29B, TIP30B<br>TIP29C, TIP30C  | $V_{CEO(sus)}$ | 40<br>60<br>80<br>100 | -<br>-<br>-<br>-         | Vdc             |
| Collector Cutoff Current<br>( $V_{CE} = 30\text{ Vdc}$ , $I_B = 0$ )<br>( $V_{CE} = 60\text{ Vdc}$ , $I_B = 0$ )<br>TIP29, TIP29A, TIP30, TIP30A<br>TIP29B, TIP29C, TIP30B, TIP30C  | $I_{CEO}$      | -<br>-                | 0.3<br>0.3               | mAdc            |
| Collector Cutoff Current<br>( $V_{CE} = 40\text{ Vdc}$ , $V_{EB} = 0$ )<br>( $V_{CE} = 60\text{ Vdc}$ , $V_{EB} = 0$ )<br>( $V_{CE} = 80\text{ Vdc}$ , $V_{EB} = 0$ )<br>( $V_{CE} = 100\text{ Vdc}$ , $V_{EB} = 0$ )<br>TIP29, TIP30<br>TIP29A, TIP30A<br>TIP29B, TIP30B<br>TIP29C, TIP30C | $I_{CES}$      | -<br>-<br>-<br>-      | 200<br>200<br>200<br>200 | $\mu\text{Adc}$ |
| Emitter Cutoff Current ( $V_{BE} = 5.0\text{ Vdc}$ , $I_C = 0$ )  | $I_{EBO}$      | -                     | 1.0                      | mAdc            |
| <b>ON CHARACTERISTICS (Note 2)</b>  |                |                       |                          |                 |
| DC Current Gain ( $I_C = 0.2\text{ Adc}$ , $V_{CE} = 4.0\text{ Vdc}$ )<br>( $I_C = 1.0\text{ Adc}$ , $V_{CE} = 4.0\text{ Vdc}$ )  | $h_{FE}$       | 40<br>15              | -<br>75                  | -               |
| Collector-Emitter Saturation Voltage ( $I_C = 1.0\text{ Adc}$ , $I_B = 125\text{ mAdc}$ )   | $V_{CE(sat)}$  | -                     | 0.7                      | Vdc             |
| Base-Emitter On Voltage ( $I_C = 1.0\text{ Adc}$ , $V_{CE} = 4.0\text{ Vdc}$ )  | $V_{BE(on)}$   | -                     | 1.3                      | Vdc             |
| <b>DYNAMIC CHARACTERISTICS</b>  |                |                       |                          |                 |
| Current-Gain - Bandwidth Product (Note 3)<br>( $I_C = 200\text{ mAdc}$ , $V_{CE} = 10\text{ Vdc}$ , $f_{test} = 1.0\text{ MHz}$ )   | $f_T$          | 3.0                   | -                        | MHz             |
| Small-Signal Current Gain ( $I_C = 0.2\text{ Adc}$ , $V_{CE} = 10\text{ Vdc}$ , $f = 1.0\text{ kHz}$ )  | $h_{fe}$       | 20                    | -                        | -               |

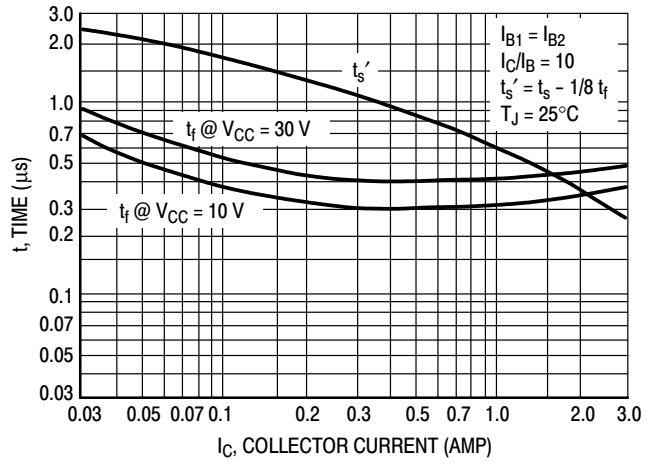
2. Pulse Test: Pulse Width  $\leq 300\ \mu\text{s}$ , Duty Cycle  $\leq 2.0\%$

3.  $f_T = |h_{fe}| \cdot f_{test}$

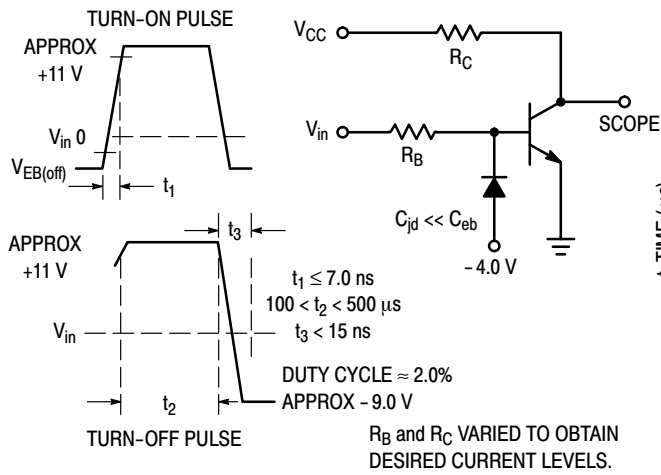
## TIP29, A, B, C (NPN), TIP30, A, B, C (PNP)



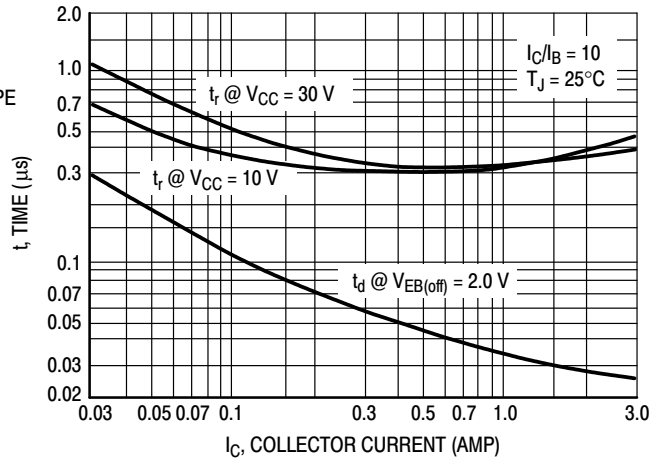
**Figure 2. DC Current Gain**



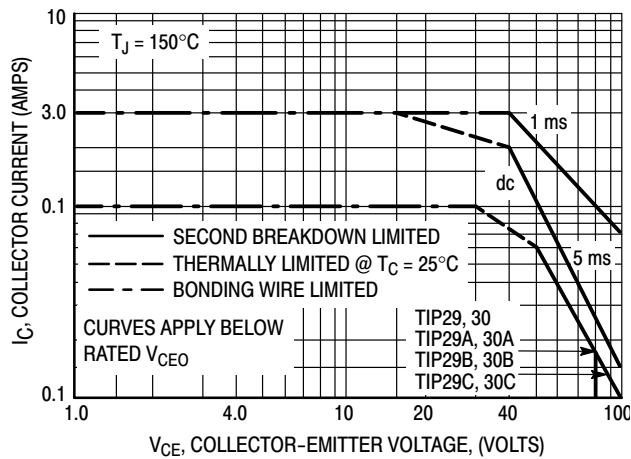
**Figure 3. Turn-Off Time**



**Figure 4. Switching Time Equivalent Circuit**



**Figure 5. Turn-On Time**



**Figure 6. Active Region Safe Operating Area**

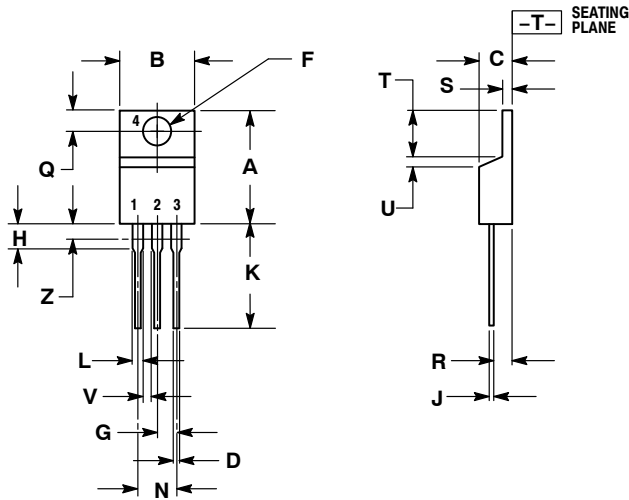
There are two limitations on the power handling ability of a transistor: average junction temperature and second breakdown. Safe operating area curves indicate  $I_C - V_{CE}$  operation; i.e., the transistor must not be subjected to greater dissipation than the curves indicate.

The data of Figure 6 is based on  $T_{J(pk)} = 150^\circ\text{C}$ ;  $T_C$  is variable depending on conditions. Second breakdown pulse limits are valid for duty cycles to 10% provided  $T_{J(pk)} \leq 150^\circ\text{C}$ . At high case temperatures, thermal limitations will reduce the power that can be handled to values less than the limitations imposed by second breakdown.

# TIP29, A, B, C (NPN), TIP30, A, B, C (PNP)

## PACKAGE DIMENSIONS

TO-220  
CASE 221A-09  
ISSUE AG



NOTES:

1. DIMENSIONING AND TOLERANCING PER ANSI Y14.5M, 1982.
2. CONTROLLING DIMENSION: INCH.
3. DIMENSION Z DEFINES A ZONE WHERE ALL BODY AND LEAD IRREGULARITIES ARE ALLOWED.

| DIM | INCHES |       | MILLIMETERS |       |
|-----|--------|-------|-------------|-------|
|     | MIN    | MAX   | MIN         | MAX   |
| A   | 0.570  | 0.620 | 14.48       | 15.75 |
| B   | 0.380  | 0.405 | 9.66        | 10.28 |
| C   | 0.160  | 0.190 | 4.07        | 4.82  |
| D   | 0.025  | 0.036 | 0.64        | 0.91  |
| F   | 0.142  | 0.161 | 3.61        | 4.09  |
| G   | 0.095  | 0.105 | 2.42        | 2.66  |
| H   | 0.110  | 0.161 | 2.80        | 4.10  |
| J   | 0.014  | 0.025 | 0.36        | 0.64  |
| K   | 0.500  | 0.562 | 12.70       | 14.27 |
| L   | 0.045  | 0.060 | 1.15        | 1.52  |
| N   | 0.190  | 0.210 | 4.83        | 5.33  |
| Q   | 0.100  | 0.120 | 2.54        | 3.04  |
| R   | 0.080  | 0.110 | 2.04        | 2.79  |
| S   | 0.045  | 0.055 | 1.15        | 1.39  |
| T   | 0.235  | 0.255 | 5.97        | 6.47  |
| U   | 0.000  | 0.050 | 0.00        | 1.27  |
| V   | 0.045  | ---   | 1.15        | ---   |
| Z   | ---    | 0.080 | ---         | 2.04  |

STYLE 1:

1. BASE
2. COLLECTOR
3. EMITTER
4. COLLECTOR

ON Semiconductor and are registered trademarks of Semiconductor Components Industries, LLC (SCILLC). SCILLC reserves the right to make changes without further notice to any products herein. SCILLC makes no warranty, representation or guarantee regarding the suitability of its products for any particular purpose, nor does SCILLC assume any liability arising out of the application or use of any product or circuit, and specifically disclaims any and all liability, including without limitation special, consequential or incidental damages. "Typical" parameters which may be provided in SCILLC data sheets and/or specifications can and do vary in different applications and actual performance may vary over time. All operating parameters, including "Typicals" must be validated for each customer application by customer's technical experts. SCILLC does not convey any license under its patent rights nor the rights of others. SCILLC products are not designed, intended, or authorized for use as components in systems intended for surgical implant into the body, or other applications intended to support or sustain life, or for any other application in which the failure of the SCILLC product could create a situation where personal injury or death may occur. Should Buyer purchase or use SCILLC products for any such unintended or unauthorized application, Buyer shall indemnify and hold SCILLC and its officers, employees, subsidiaries, affiliates, and distributors harmless against all claims, costs, damages, and expenses, and reasonable attorney fees arising out of, directly or indirectly, any claim of personal injury or death associated with such unintended or unauthorized use, even if such claim alleges that SCILLC was negligent regarding the design or manufacture of the part. SCILLC is an Equal Opportunity/Affirmative Action Employer. This literature is subject to all applicable copyright laws and is not for resale in any manner.

### PUBLICATION ORDERING INFORMATION

LITERATURE FULFILLMENT:

Literature Distribution Center for ON Semiconductor  
P.O. Box 5163, Denver, Colorado 80217 USA  
Phone: 303-675-2175 or 800-344-3860 Toll Free USA/Canada  
Fax: 303-675-2176 or 800-344-3867 Toll Free USA/Canada  
Email: orderlit@onsemi.com

N. American Technical Support: 800-282-9855 Toll Free  
USA/Canada  
Europe, Middle East and Africa Technical Support:  
Phone: 421 33 790 2910  
Japan Customer Focus Center  
Phone: 81-3-5817-1050

ON Semiconductor Website: [www.onsemi.com](http://www.onsemi.com)

Order Literature: <http://www.onsemi.com/orderlit>

For additional information, please contact your local Sales Representative



Компания «ЭлектроПласт» предлагает заключение долгосрочных отношений при поставках импортных электронных компонентов на взаимовыгодных условиях!

Наши преимущества:

- Оперативные поставки широкого спектра электронных компонентов отечественного и импортного производства напрямую от производителей и с крупнейших мировых складов;
- Поставка более 17-ти миллионов наименований электронных компонентов;
- Поставка сложных, дефицитных, либо снятых с производства позиций;
- Оперативные сроки поставки под заказ (от 5 рабочих дней);
- Экспресс доставка в любую точку России;
- Техническая поддержка проекта, помощь в подборе аналогов, поставка прототипов;
- Система менеджмента качества сертифицирована по Международному стандарту ISO 9001;
- Лицензия ФСБ на осуществление работ с использованием сведений, составляющих государственную тайну;
- Поставка специализированных компонентов (Xilinx, Altera, Analog Devices, Intersil, Interpoint, Microsemi, Aeroflex, Peregrine, Syfer, Eurofarad, Texas Instrument, Miteq, Cobham, E2V, MA-COM, Hittite, Mini-Circuits, General Dynamics и др.);

Помимо этого, одним из направлений компании «ЭлектроПласт» является направление «Источники питания». Мы предлагаем Вам помощь Конструкторского отдела:

- Подбор оптимального решения, техническое обоснование при выборе компонента;
- Подбор аналогов;
- Консультации по применению компонента;
- Поставка образцов и прототипов;
- Техническая поддержка проекта;
- Защита от снятия компонента с производства.



#### Как с нами связаться

**Телефон:** 8 (812) 309 58 32 (многоканальный)

**Факс:** 8 (812) 320-02-42

**Электронная почта:** [org@eplast1.ru](mailto:org@eplast1.ru)

**Адрес:** 198099, г. Санкт-Петербург, ул. Калинина, дом 2, корпус 4, литера А.