

Li-ION/POLYMER 2/3-CELL PROTECTOR Second protection IC

NO.EA-282-120409

OUTLINES

R5435x Series are CMOS-based high voltage tolerant over-charge protection ICs for Li-ion/Li-polymer secondary battery. The R5435x can detect overcharge of 2-cell to 3-cell Li-ion/ Li-polymer batteries. The R5435x is consists of 3 voltage detectors, a voltage reference unit, an oscillator, a counter, a delay circuit, a logic circuit.

When the over-charge is detected, after the IC internally fixed delay time, the output of C_{OUT} becomes "H".

After detecting over-charge, when the cell voltage becomes lower than the over-charge released voltage, the over-charge state is released.

If all the cells voltages become equal or less than the shutdown detector threshold, all the circuits are halted and shut down, as a result, the consumption current of IC itself (Shutdown current) is extremely reduced.

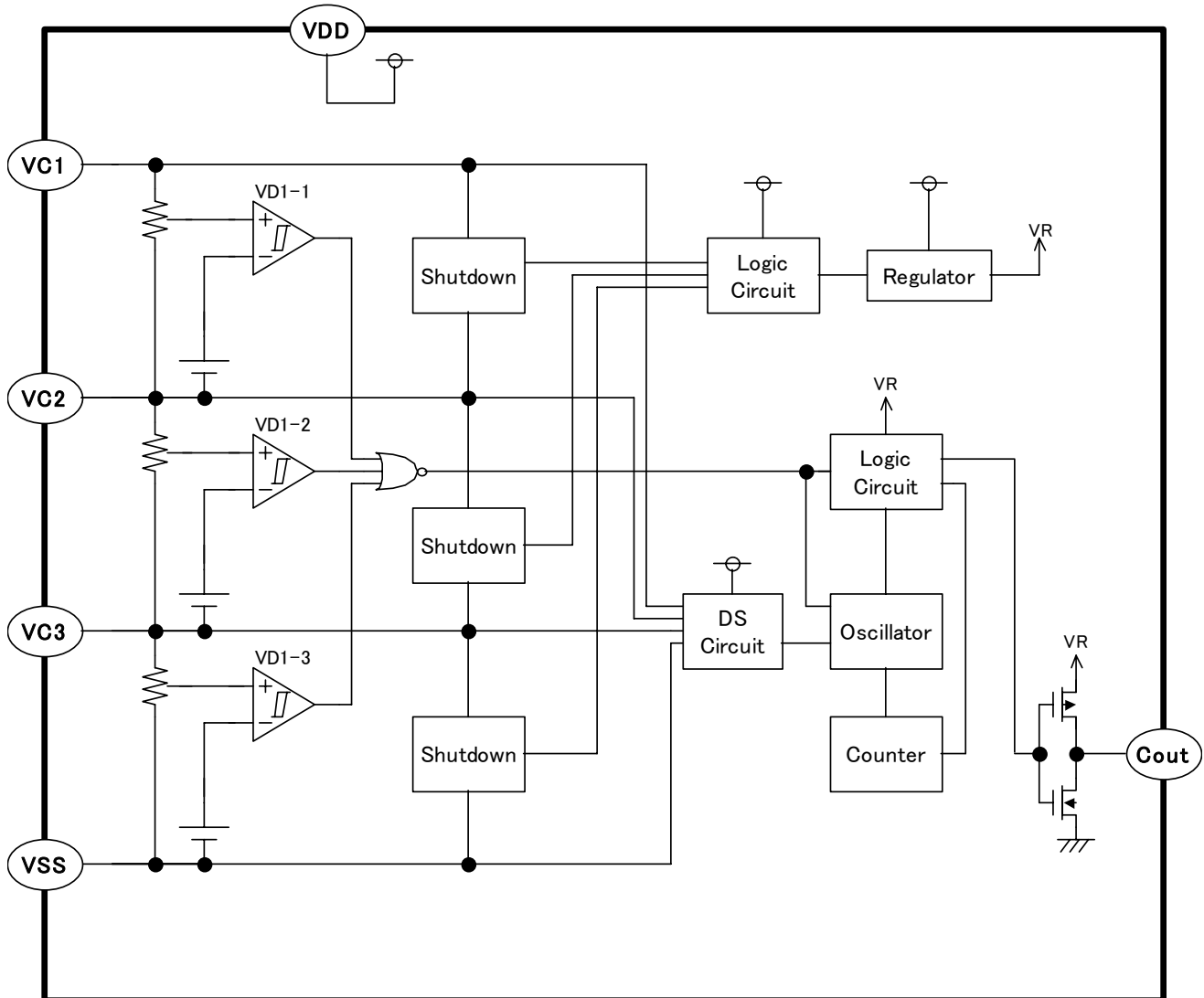
By connect short 2 cells other than monitored cell, over-charge and released delay time can be shortened.

The output type is CMOS.

FEATURES

- Manufactured with High Voltage Tolerant Process Absolute Maximum Rating 30V
- Low supply current Cell voltage 3.9V, for 3-cell Typ. 3.0μA
- High accuracy detector threshold Over-charge detector (Ta=25°C) ±20mV
(Ta=0 to 60°C) ±25mV
- Variety of detector threshold
 - Over-charge detector threshold 4.1V-4.55V step of 0.005V (V_{DET1n}) (n=1, 2, 3)
 - Over-charge released voltage V_{DET1n}-0V to V_{DET1n}-0.4V step of 0.05V (V_{REL1n}) (n=1, 2, 3)
MIN.3.95V
- Setting of Output delay time..... Over-charge detector Output Delay options 2, 4, 6s(Built-in delay)
- Shutdown FunctionWhen all the cell voltages become equal or less than shutdown detector threshold, the IC will be into shutdown mode and the consumption current of IC itself becomes extremely small. Even if one of the cells becomes equal or more than shutdown released voltage, the shutdown mode is released.
- Shutdown detector thresholdTyp. 3.5V±0.4V
- Shutdown Release Hysteresis none
- Shutdown currentMax. 0.1μA
- 2/3 cell protection enablerBy external wiring, 2 or 3-cell protection can be selected.
- Over-charge released condition.....Released by voltage type
- C_{OUT} outputC_{OUT}: 4.7V regulator power supply CMOS output. Active "H"
- Delay Time Shortening Function.....As a result of specified setting, the delay times are shortened, over-charge detector time is shortened from 2sec to 1/50, 4sec and 6sec to 1/80.
 ex. V_{C2}=V_{C3}=V_{SS}, the delay time for cell 1 is shortened. V_{C1}=V_{C2}, V_{C3}=V_{SS}, the delay time for cell 2 is shortened.
 V_{C1}=V_{C2}=V_{C3}, the delay time for cell 3 is shortened.
- Small package..... TSOT-23-6, DFN(PLP)1616-6B

BLOCK DIAGRAM



SELECTION GUIDE

In the R5435Xxxxx Series, input threshold of over-charge and output delay time can be designated according to the application.

Part Number is designated as follows:

(ex.)

R5435N 301AA ←Part Number
 ↑ ↑ ↑↑
 a b cd

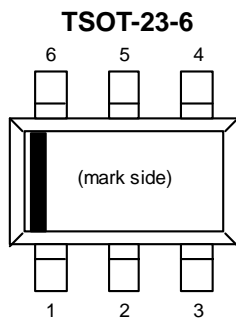
Code	Contents
a	Package Type N: TSOT-23-6, K: PLP1616-6B
b	Serial Number for the R5435 Series designating input threshold for over-charge detector
c	Designation of Output delay option
d	Designation of version symbols.

• Code List

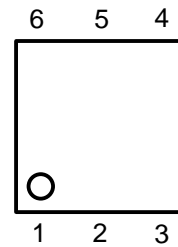
Code	$V_{DET1n}(V)^{*1}$	$V_{REL1n}(V)^{*1}$	$tV_{DET1}(s)$	$tV_{DTR1}(ms)$
R5435x301AA	4.450	4.150	2	16
R5435x302BA	4.350	3.950	4	16
R5435x303AA	4.350	4.050	2	16
R5435x303CA	4.350	4.050	6	6
R5435x304AA	4.400	4.100	2	16
R5435x305AA	4.300	4.000	2	16
R5435x306BA	4.450	3.950	4	16

*1: n=1, 2, 3

PIN CONFIGURATIONS



DFN(PLP)1616-6B



PIN DESCRIPTION

TSOT-23-6

Pin No.	Symbol	Description
1	V_{DD}	V_{DD} Pin
2	V_{C1}	Positive terminal pin for Cell-1
3	V_{C2}	Positive terminal pin for Cell-2
4	V_{C3}	Positive terminal Pin for Cell-3
5	V_{SS}	V_{SS} pin. Ground pin for the IC
6	C_{OUT}	Output pin of over-charge detection

DFN(PLP)1616-6B

Pin No.	Symbol	Description
1	V_{C2}	Positive terminal pin for Cell-2
2	V_{C1}	Positive terminal pin for Cell-1
3	V_{DD}	V_{DD} Pin
4	C_{OUT}	Output pin of over-charge detection
5	V_{SS}	V_{SS} pin. Ground pin for the IC
6	V_{C3}	Positive terminal Pin for Cell-3

*The tab voltage level of the backside of the package is the substrate level (V_{SS}).

Connect the tab to the V_{SS} pin (Recommended) or leave the tab open.

ABSOLUTE MAXIMUM RATINGS

$T_a=25^{\circ}\text{C}$, $V_{SS}=0\text{V}$

Symbol	Item	Ratings	Unit
V_{DD}	Supply voltage	-0.3 to 30	V
V_{C1}	Input voltage Positive input pin voltage for Cell-1	$V_{C2} - 0.3$ to $V_{C2} + 6.5$	V
V_{C2}	Positive input pin voltage for Cell-2	$V_{C3} - 0.3$ to $V_{C3} + 6.5$	
V_{C3}	Positive input pin voltage for Cell-3	-0.3 to 6.5	
V_{COUT}	Output voltage C_{OUT} pin voltage	-0.3 to $V_{OH1} + 0.3$	V
P_D	Power dissipation	460 (TSOT-23-6) 640 (PLP1616-6B)	mW
T_a	Operating temperature range	-40 to 85	$^{\circ}\text{C}$
T_{stg}	Storage temperature range	-55 to 125	$^{\circ}\text{C}$

ELECTRICAL CHARACTERISTICS

● R5435x301AA

Unless otherwise specified, Ta=25°C

Symbol	Item	Conditions	Min.	Typ.	Max.	Unit
V _{DD1}	Operating input voltage	Voltage defined as V _{DD} -V _{SS}	3.3		15	V
V _{DET1N}	CELLn Over-charge threshold (n=1,2,3)	Detect rising edge of supply voltage (25°C)	4.430	4.450	4.470	V
		Detect rising edge of supply voltage (0 to 60°C) ^{*Note1}	4.425		4.475	
V _{REL1N}	CELLn Over-charge released voltage (n=1,2,3)	Detect falling edge of supply voltage	4.100	4.150	4.200	V
t _{VDET1}	Output delay of over-charge	V _{CELLn} =3.9V, V _{CELL1} =3.9V to 4.7V (n=2,3) ^{*Note2}	1.6	2.0	2.4	s
t _{VREL1}	Output delay of release from over-charge	V _{CELLn} =3.9V, V _{CELL1} =4.7V to 3.9V (n=2,3)	12.8	16	19.2	ms
V _{SHT}	Shutdown detector threshold	Detect falling edge	3.1	3.5	3.9	V
t _{VDR1}	Output delay of over-charge timer reset	V _{CELLn} =V _{DET1n} +0.050V to V _{REL1n} -0.100V to V _{DET1n} +0.050V to V _{REL1n} -0.100V	8	16	24	ms
V _{OH1}	C _{OUT} Pch ON voltage1	I _{OH} =0μA, V _{CELLn} =4.7V (n=1,2,3)	4.0	4.7	5.4	V
V _{OH2}	C _{OUT} Pch ON voltage2	I _{OH} =-50μA, V _{CELLn} =4.7V (n=1,2,3)	V _{OH1} -0.5	V _{OH1} -0.1		V
V _{OL}	C _{OUT} Nch ON voltage	I _{OL} =50μA, V _{CELLn} =3.9V (n=1,2,3)		0.1	0.5	V
I _{SHT}	Shutdown Current	V _{CELLn} =3.1V (n=1,2,3)			0.1	μA
I _{SS}	Supply current	V _{CELLn} =3.9V (n=1,2,3)		3.0	5.5	μA

*Note1: This specification is guaranteed by design, not mass production tested.

*Note2: V_{CELLn} means Cell-n's voltage. n=1, 2, 3

● R5435x302BA

Unless otherwise specified, Ta=25°C

Symbol	Item	Conditions	Min.	Typ.	Max.	Unit
V _{DD1}	Operating input voltage	Voltage defined as V _{DD} -V _{SS}	3.3		15	V
V _{DET1N}	CELLn Over-charge threshold (n=1,2,3)	Detect rising edge of supply voltage (25°C)	4.330	4.350	4.370	V
		Detect rising edge of supply voltage (0 to 60°C) ^{*Note1}	4.325		4.375	
V _{REL1N}	CELLn Over-charge released voltage (n=1,2,3)	Detect falling edge of supply voltage	3.900	3.950	4.000	V
t _{VDET1}	Output delay of over-charge	V _{CELLn} =3.9V, V _{CELL1} =3.9V to 4.7V (n=2,3) ^{*Note2}	3.2	4.0	4.8	s
t _{VREL1}	Output delay of release from over-charge	V _{CELLn} =3.9V, V _{CELL1} =4.7V to 3.9V (n=2,3)	12.8	16	19.2	ms
V _{SHT}	Shutdown detector threshold	Detect falling edge	3.1	3.5	3.9	V
t _{VDR1}	Output delay of over-charge timer reset	V _{CELLn} =V _{DET1n} +0.050V to V _{REL1n} -0.100V to V _{DET1n} +0.050V to V _{REL1n} -0.100V	8	16	24	ms
V _{OH1}	C _{OUT} Pch ON voltage1	I _{OH} =0μA, V _{CELLn} =4.7V (n=1,2,3)	4.0	4.7	5.4	V
V _{OH2}	C _{OUT} Pch ON voltage2	I _{OH} =-50μA, V _{CELLn} =4.7V (n=1,2,3)	V _{OH1} -0.5	V _{OH1} -0.1		V
V _{OL}	C _{OUT} Nch ON voltage	I _{OL} =50μA, V _{CELLn} =3.9V (n=1,2,3)		0.1	0.5	V
I _{SHT}	Shutdown Current	V _{CELLn} =3.1V (n=1,2,3)			0.1	μA
I _{SS}	Supply current	V _{CELLn} =3.9V (n=1,2,3)		3.0	5.5	μA

*Note1: This specification is guaranteed by design, not mass production tested.

*Note2: V_{CELLn} means Cell-n's voltage. n=1, 2, 3

● R5435x303AA

Unless otherwise specified, Ta=25°C

Symbol	Item	Conditions	Min.	Typ.	Max.	Unit
V _{DD1}	Operating input voltage	Voltage defined as V _{DD} -V _{SS}	3.3		15	V
V _{DET1n}	CELLn Over-charge threshold (n=1,2,3)	Detect rising edge of supply voltage (25°C)	4.330	4.350	4.370	V
		Detect rising edge of supply voltage (0 to 60°C) ^{*Note1}	4.325		4.375	
V _{REL1n}	CELLn Over-charge released voltage (n=1,2,3)	Detect falling edge of supply voltage	4.000	4.050	4.100	V
tV _{DET1}	Output delay of over-charge	V _{CELLn} =3.9V, V _{CELL1} =3.9V to 4.7V (n=2,3) ^{*Note2}	1.6	2.0	2.4	s
tV _{REL1}	Output delay of release from over-charge	V _{CELLn} =3.9V, V _{CELL1} =4.7V to 3.9V (n=2,3)	12.8	16	19.2	ms
V _{SHT}	Shutdown detector threshold	Detect falling edge	3.1	3.5	3.9	V
tV _{DTR1}	Output delay of over-charge timer reset	V _{CELLn} =V _{DET1n} +0.050V to V _{REL1n} -0.100V to V _{DET1n} +0.050V to V _{REL1n} -0.100V	8	16	24	ms
V _{OH1}	C _{OUT} Pch ON voltage1	I _{OH} =0μA, V _{CELLn} =4.7V (n=1,2,3)	4.0	4.7	5.4	V
V _{OH2}	C _{OUT} Pch ON voltage2	I _{OH} =-50μA, V _{CELLn} =4.7V (n=1,2,3)	V _{OH1} -0.5	V _{OH1} -0.1		V
V _{OL}	C _{OUT} Nch ON voltage	I _{OL} =50μA, V _{CELLn} =3.9V (n=1,2,3)		0.1	0.5	V
I _{SHT}	Shutdown Current	V _{CELLn} =3.1V (n=1,2,3)			0.1	μA
I _{SS}	Supply current	V _{CELLn} =3.9V (n=1,2,3)		3.0	5.5	μA

*Note1: This specification is guaranteed by design, not mass production tested.

*Note2: V_{CELLn} means Cell-n's voltage. n=1, 2, 3

● R5435x303CA

Unless otherwise specified, Ta=25°C

Symbol	Item	Conditions	Min.	Typ.	Max.	Unit
V _{DD1}	Operating input voltage	Voltage defined as V _{DD} -V _{SS}	3.3		15	V
V _{DET1n}	CELLn Over-charge threshold (n=1,2,3)	Detect rising edge of supply voltage (25°C)	4.330	4.350	4.370	V
		Detect rising edge of supply voltage (0 to 60°C) ^{*Note1}	4.325		4.375	
V _{REL1n}	CELLn Over-charge released voltage (n=1,2,3)	Detect falling edge of supply voltage	4.000	4.050	4.100	V
tV _{DET1}	Output delay of over-charge	V _{CELLn} =3.9V, V _{CELL1} =3.9V to 4.7V (n=2,3) ^{*Note2}	4.8	6.0	7.2	s
tV _{REL1}	Output delay of release from over-charge	V _{CELLn} =3.9V, V _{CELL1} =4.7V to 3.9V (n=2,3)	12.8	16	19.2	ms
V _{SHT}	Shutdown detector threshold	Detect falling edge	3.1	3.5	3.9	V
tV _{DTR1}	Output delay of over-charge timer reset	V _{CELLn} =V _{DET1n} +0.050V to V _{REL1n} -0.100V to V _{DET1n} +0.050V to V _{REL1n} -0.100V	2	6	10	ms
V _{OH1}	C _{OUT} Pch ON voltage1	I _{OH} =0μA, V _{CELLn} =4.7V (n=1,2,3)	4.0	4.7	5.4	V
V _{OH2}	C _{OUT} Pch ON voltage2	I _{OH} =-50μA, V _{CELLn} =4.7V (n=1,2,3)	V _{OH1} -0.5	V _{OH1} -0.1		V
V _{OL}	C _{OUT} Nch ON voltage	I _{OL} =50μA, V _{CELLn} =3.9V (n=1,2,3)		0.1	0.5	V
I _{SHT}	Shutdown Current	V _{CELLn} =3.1V (n=1,2,3)			0.1	μA
I _{SS}	Supply current	V _{CELLn} =3.9V (n=1,2,3)		3.0	5.5	μA

*Note1: This specification is guaranteed by design, not mass production tested.

*Note2: V_{CELLn} means Cell-n's voltage. n=1, 2, 3

R5435x

● R5435x304AA

Unless otherwise specified, Ta=25°C

Symbol	Item	Conditions	Min.	Typ.	Max.	Unit
V _{DD1}	Operating input voltage	Voltage defined as V _{DD} -V _{SS}	3.3		15	V
V _{DET1n}	CELLn Over-charge threshold (n=1,2,3)	Detect rising edge of supply voltage (25°C)	4.380	4.400	4.420	V
		Detect rising edge of supply voltage (0 to 60°C) ^{*Note1}	4.375		4.425	
V _{REL1n}	CELLn Over-charge released voltage (n=1,2,3)	Detect falling edge of supply voltage	4.050	4.100	4.150	V
tV _{DET1}	Output delay of over-charge	V _{CELLn} =3.9V, V _{CELL1} =3.9V to 4.7V (n=2,3) ^{*Note2}	1.6	2.0	2.4	s
tV _{REL1}	Output delay of release from over-charge	V _{CELLn} =3.9V, V _{CELL1} =4.7V to 3.9V (n=2,3)	12.8	16	19.2	ms
V _{SHT}	Shutdown detector threshold	Detect falling edge	3.1	3.5	3.9	V
tV _{DTR1}	Output delay of over-charge timer reset	V _{CELLn} =V _{DET1n} +0.050V to V _{REL1n} -0.100V to V _{DET1n} +0.050V to V _{REL1n} -0.100V	8	16	24	ms
V _{OH1}	C _{OUT} Pch ON voltage1	I _{OH} =0μA, V _{CELLn} =4.7V (n=1,2,3)	4.0	4.7	5.4	V
V _{OH2}	C _{OUT} Pch ON voltage2	I _{OH} =-50μA, V _{CELLn} =4.7V (n=1,2,3)	V _{OH1} -0.5	V _{OH1} -0.1		V
V _{OL}	C _{OUT} Nch ON voltage	I _{OL} =50μA, V _{CELLn} =3.9V (n=1,2,3)		0.1	0.5	V
I _{SHT}	Shutdown Current	V _{CELLn} =3.1V (n=1,2,3)			0.1	μA
I _{SS}	Supply current	V _{CELLn} =3.9V (n=1,2,3)		3.0	5.5	μA

*Note1: This specification is guaranteed by design, not mass production tested.

*Note2: V_{CELLn} means Cell-n's voltage. n=1, 2, 3

● R5435x305AA

Unless otherwise specified, Ta=25°C

Symbol	Item	Conditions	Min.	Typ.	Max.	Unit
V _{DD1}	Operating input voltage	Voltage defined as V _{DD} -V _{SS}	3.3		15	V
V _{DET1n}	CELLn Over-charge threshold (n=1,2,3)	Detect rising edge of supply voltage (25°C)	4.280	4.300	4.320	V
		Detect rising edge of supply voltage (0 to 60°C) ^{*Note1}	4.275		4.325	
V _{REL1n}	CELLn Over-charge released voltage (n=1,2,3)	Detect falling edge of supply voltage	3.950	4.000	4.050	V
tV _{DET1}	Output delay of over-charge	V _{CELLn} =3.9V, V _{CELL1} =3.9V to 4.7V (n=2,3) ^{*Note2}	1.6	2.0	2.4	s
tV _{REL1}	Output delay of release from over-charge	V _{CELLn} =3.9V, V _{CELL1} =4.7V to 3.9V (n=2,3)	12.8	16	19.2	ms
V _{SHT}	Shutdown detector threshold	Detect falling edge	3.1	3.5	3.9	V
tV _{DTR1}	Output delay of over-charge timer reset	V _{CELLn} =V _{DET1n} +0.050V to V _{REL1n} -0.100V to V _{DET1n} +0.050V to V _{REL1n} -0.100V	8	16	24	ms
V _{OH1}	C _{OUT} Pch ON voltage1	I _{OH} =0μA, V _{CELLn} =4.7V (n=1,2,3)	4.0	4.7	5.4	V
V _{OH2}	C _{OUT} Pch ON voltage2	I _{OH} =-50μA, V _{CELLn} =4.7V (n=1,2,3)	V _{OH1} -0.5	V _{OH1} -0.1		V
V _{OL}	C _{OUT} Nch ON voltage	I _{OL} =50μA, V _{CELLn} =3.9V (n=1,2,3)		0.1	0.5	V
I _{SHT}	Shutdown Current	V _{CELLn} =3.1V (n=1,2,3)			0.1	μA
I _{SS}	Supply current	V _{CELLn} =3.9V (n=1,2,3)		3.0	5.5	μA

*Note1: This specification is guaranteed by design, not mass production tested.

*Note2: V_{CELLn} means Cell-n's voltage. n=1, 2, 3

● R5435x306BA

Unless otherwise specified, Ta=25°C

Symbol	Item	Conditions	Min.	Typ.	Max.	Unit
V _{DD1}	Operating input voltage	Voltage defined as V _{DD} -V _{SS}	3.3		15	V
V _{DET1n}	CELLn Over-charge threshold (n=1,2,3)	Detect rising edge of supply voltage (25°C)	4.430	4.450	4.470	V
		Detect rising edge of supply voltage (0 to 60°C) ^{*Note1}	4.425		4.475	
V _{REL1n}	CELLn Over-charge released voltage (n=1,2,3)	Detect falling edge of supply voltage	3.900	3.950	4.000	V
t _{VDET1}	Output delay of over-charge	V _{CELLn} =3.9V, V _{CELL1} =3.9V to 4.7V (n=2,3) ^{*Note2}	3.2	4.0	4.8	s
t _{VREL1}	Output delay of release from over-charge	V _{CELLn} =3.9V, V _{CELL1} =4.7V to 3.9V (n=2,3)	12.8	16	19.2	ms
V _{SHT}	Shutdown detector threshold	Detect falling edge	3.1	3.5	3.9	V
t _{VDTR1}	Output delay of over-charge timer reset	V _{CELLn} =V _{DET1n} +0.050V to V _{REL1n} -0.100V to V _{DET1n} +0.050V to V _{REL1n} -0.100V	8	16	24	ms
V _{OH1}	C _{OUT} Pch ON voltage1	I _{OH} =0μA, V _{CELLn} =4.7V (n=1,2,3)	4.0	4.7	5.4	V
V _{OH2}	C _{OUT} Pch ON voltage2	I _{OH} =-50μA, V _{CELLn} =4.7V (n=1,2,3)	V _{OH1} -0.5	V _{OH1} -0.1		V
V _{OL}	C _{OUT} Nch ON voltage	I _{OL} =50μA, V _{CELLn} =3.9V (n=1,2,3)		0.1	0.5	V
I _{SHT}	Shutdown Current	V _{CELLn} =3.1V (n=1,2,3)			0.1	μA
I _{SS}	Supply current	V _{CELLn} =3.9V (n=1,2,3)		3.0	5.5	μA

*Note1: This specification is guaranteed by design, not mass production tested.

*Note2: V_{CELLn} means Cell-n's voltage. n=1, 2, 3

RECOMMENDED OPERATING CONDITIONS (ELECTRICAL CHARACTERISTICS)

All of electronic equipment should be designed that the mounted semiconductor devices operate within the recommended operating conditions. The semiconductor devices cannot operate normally over the recommended operating conditions, even if when they are used over such conditions by momentary electronic noise or surge. And the semiconductor devices may receive serious damage when they continue to operate over the recommended operating conditions.

OPERATION

• VDET1n / Over-Charge Detectors (n=1, 2, 3)

While the cells are charged, the voltage between V_{C1} pin and V_{C2} pin (voltage of the Cell-1), the voltage between V_{C2} pin and V_{C3} pin (voltage of the Cell-2), and the voltage between V_{C3} pin and V_{SS} pin (voltage of the Cell-3) are supervised. If at least one of the cells' voltage becomes equal or more than the over-charge detector threshold, the over-charge is detected, and an external charge control Nch MOSFET turns on with C_{OUT} pin being at "H" level and by cutting a fuse on the charger path, and charge stops.

To reset the over-charge and make the C_{OUT} pin level to "L" again after detecting over-charge, in such conditions that a time when all the cells' voltages are down to a level lower than over-charge released voltage.

Internal fixed output delay times for over-charge detection, over-charge detector timer reset, release from over-charge exist. Even if one of voltage of the cells keeps its level more than the over-charge detector threshold, and output delay time passes, over-charge voltage is detected. If all the cell voltages become lower than the over-charge detector threshold within the output delay time of over-charge detector by noise or other reasons, the time period is less than over-charge detector timer reset output delay time, the over-charge delay time is accumulated and maintained, and the accumulated delay time reaches the output delay time of over-charge, the over-charge is detected. After detecting over-charge, even if all the cell voltages become equal or less than the released voltage from over-charge, if at least one of the cells voltage becomes higher than the released voltage from over-charge within the output delay time of the release from over-charge, then over-charge is not released.

The output type of the C_{OUT} pin is CMOS output between V_{SS} and the built-in regulator, and "H" level of C_{OUT} pin is the output voltage of the built-in regulator. (Typ. 4.7V)

• Shutdown Function

The voltage between V_{C1} pin and V_{C2} pin (the voltage of Cell-1), the voltage between V_{C2} pin and V_{C3} pin (Cell-2 voltage), and the voltage between V_{C3} pin and V_{SS} pin (Cell-3 voltage) are supervised. If all the cells voltages become equal or less than the shutdown detector threshold, all the circuits are halted and shut down, as a result, the consumption current of IC itself (Shutdown current) is extremely reduced. (Max. 0.1 μ A)

After detecting shutdown, at least one of the cell voltages becomes equal or more than the shutdown detector threshold, the shutdown state is released.

• DS (Delay Shortening) Function

By connect short 2 cells other than monitored cell, over-charge and released delay time can be shortened.
Table of the cell of delay time shortened and direct wiring positions

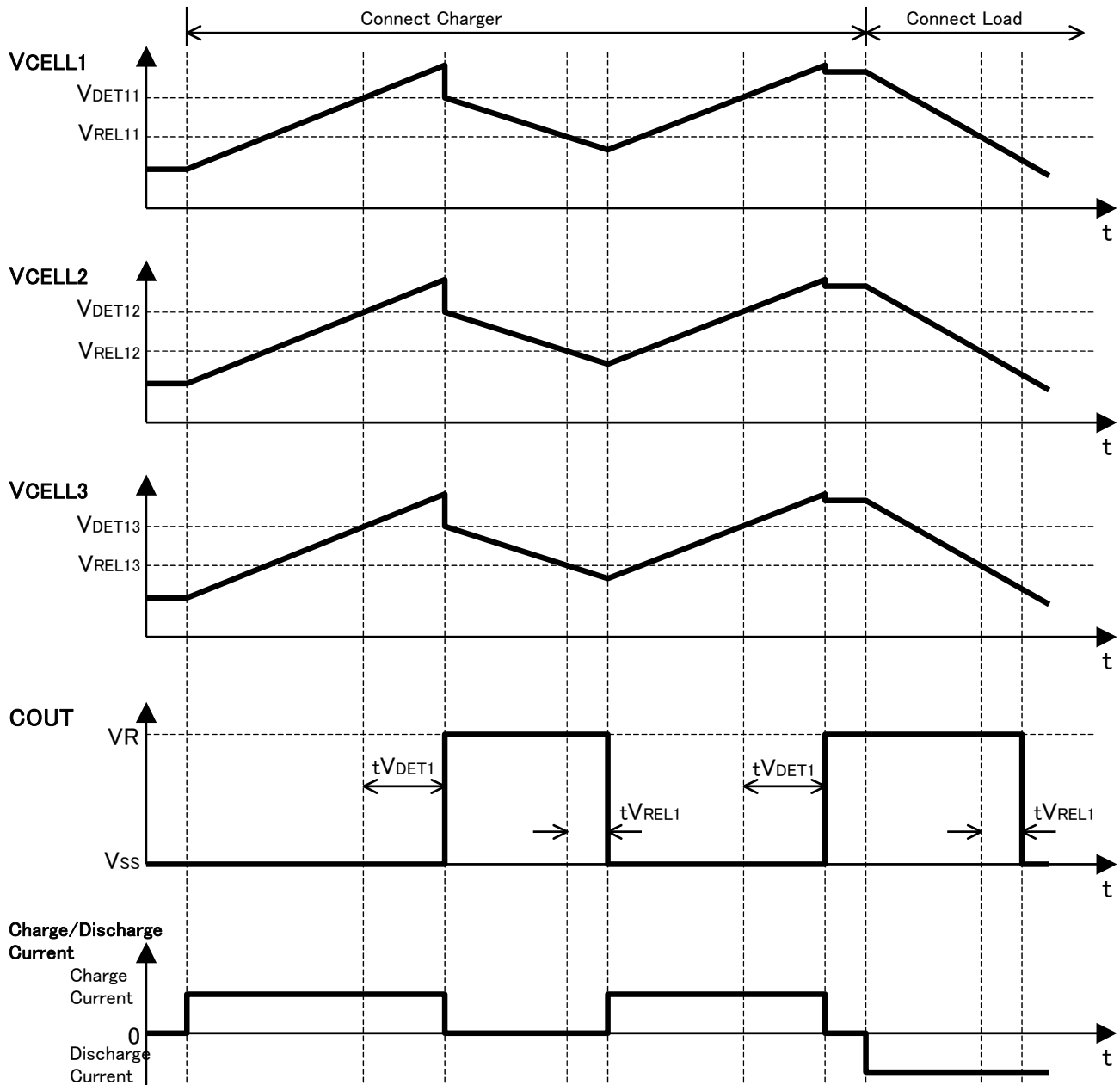
Delay time shortened CELL	Direct wiring positions
CELL1	V_{C2} pin and V_{C3} pin, V_{C3} pin and V_{SS} pin
CELL2	V_{C1} pin and V_{C2} pin, V_{C3} pin and V_{SS} pin
CELL3	V_{C1} pin and V_{C2} pin, V_{C2} pin and V_{C3} pin

• 2-cell/ 3-cell protection alternative

When the IC should be used as a 2-cell protection IC, connect short V_{C3} pin and V_{SS} pin.

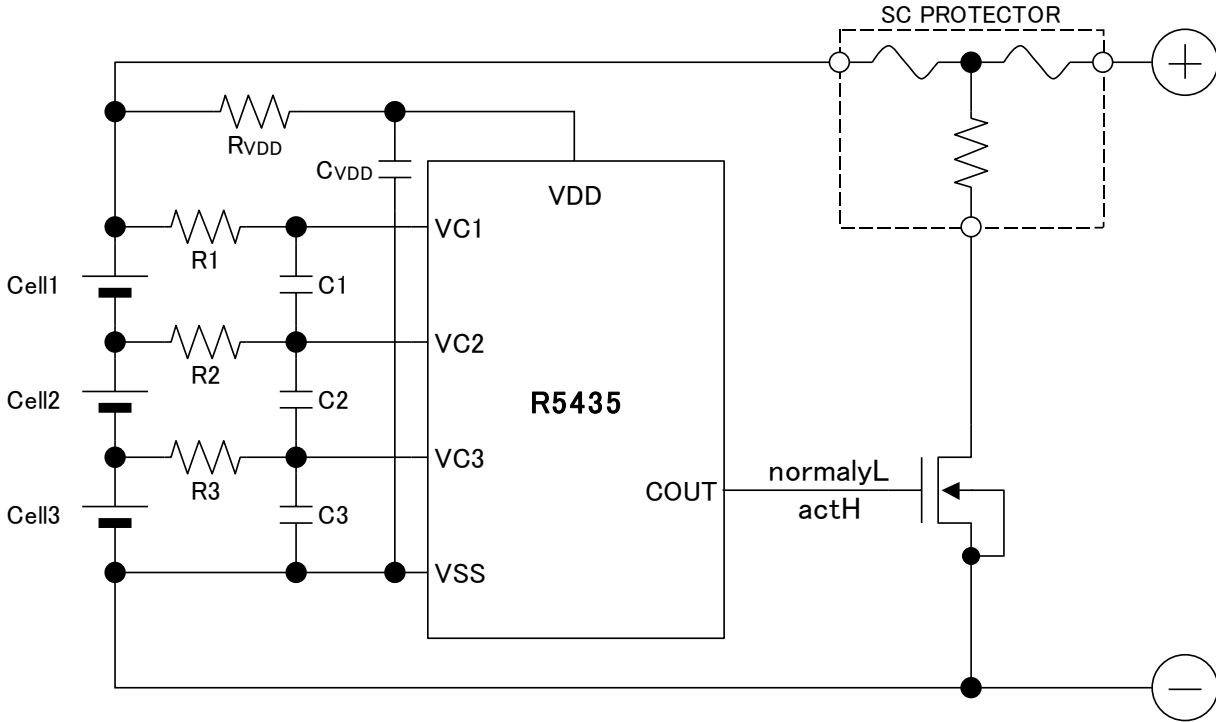
TIMING CHART

● Over-charge operation

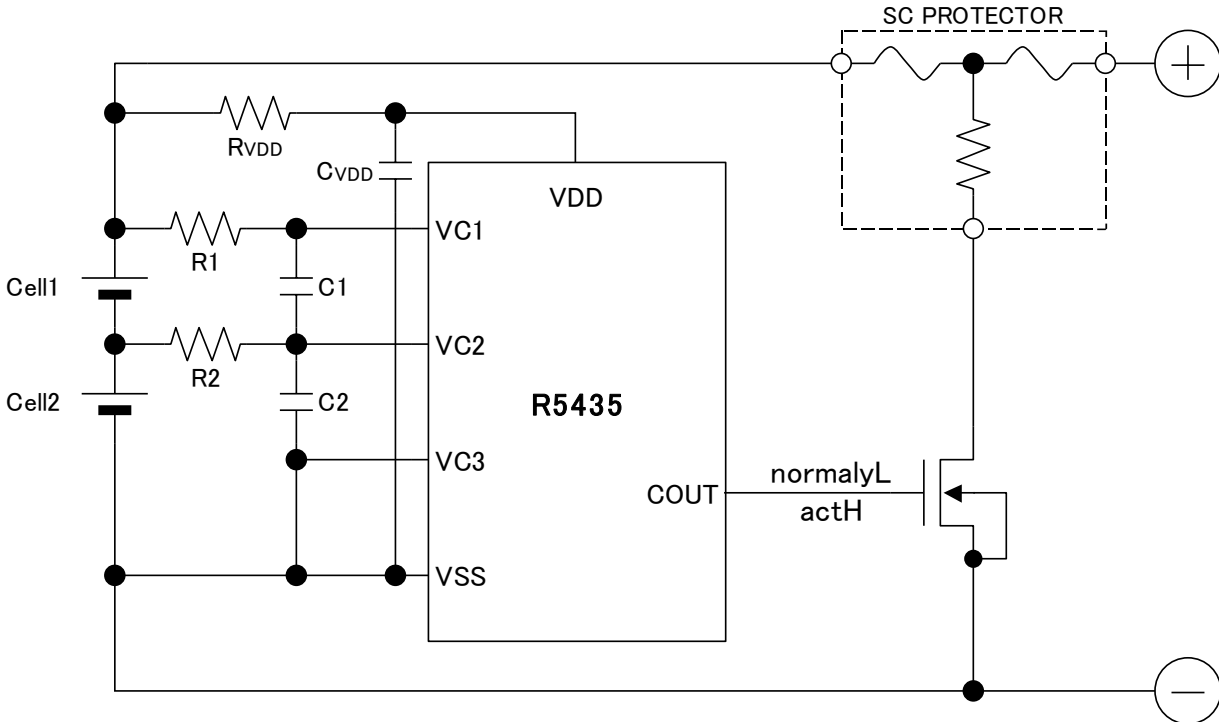


TYPICAL APPLICATIONS

(1) Circuit example (3-cell protection)



(2) Circuit example (2-cell protection)



*In terms of the order of connecting cells, the positive terminal of the cell 1 should be the last. Otherwise, COUT may output "H" tentatively, and the fuse may be fused.

●External parts ratings

Symbol	Typ.	Unit	Range
R_{VDD}	100	Ω	100~1000
R1	1000	Ω	330~1000
R2	1000	Ω	330~1000
R3	1000	Ω	330~1000
C_{VDD}	0.1	μF	0.01~1
C1	0.1	μF	0.01~1
C2	0.1	μF	0.01~1
C3	0.1	μF	0.01~1

Technical Notes

The voltage fluctuation is stabilized with R_{VDD} and C_{VDD} . If a small R_{VDD} is set, in the case of the large transient may happen to the cell voltage, by the flowing current, the IC may be unstable. If a large R_{VDD} is set, by the consumption current of the IC itself, the voltage difference between V_{DD} pin and V_{C1} pin is generated, and unexpected operation may result. Therefore, the appropriate value range of R_{VDD} is from 100 Ω to 1k Ω . To make a stable operation of the IC, the appropriate value range of C_{VDD} is from 0.01 μF to 1.0 μF .

The voltage fluctuation is stabilized with R1 to R3 and C1 to C3. If a R1 to R3 is too large, by the conduction current at detection, the detector threshold may shift higher. Therefore, the appropriate value range of R1 to R3 is equal or less than 1k Ω . To make a stable operation of the IC, the appropriate value range of C1 to C3 is 0.01 μF or more.

The typical application circuit diagrams are just examples. This circuit performance largely depends on the PCB layout and external components. In the actual application, fully evaluation is necessary.

Over-voltage and the over current beyond the absolute maximum rating should not be forced to the protection IC and external components. During the time until the fuse is open after detecting over-charge, a large current may flow through the FET. Select an FET with large enough current capacity in order to endure the large current.

Ricoh cannot assume responsibility for use of any circuitry other than circuitry entirely embodied in a Ricoh product. If technical notes are not complied with the circuit which is used Ricoh product, Ricoh is not responsible for any damages and any accidents.

To connect the SC protector, connect the SC protector to the cell must be the last.

*SC protector

Contact: Sony Chemical & Information Device Company Ltd.

Zip code 141-0032

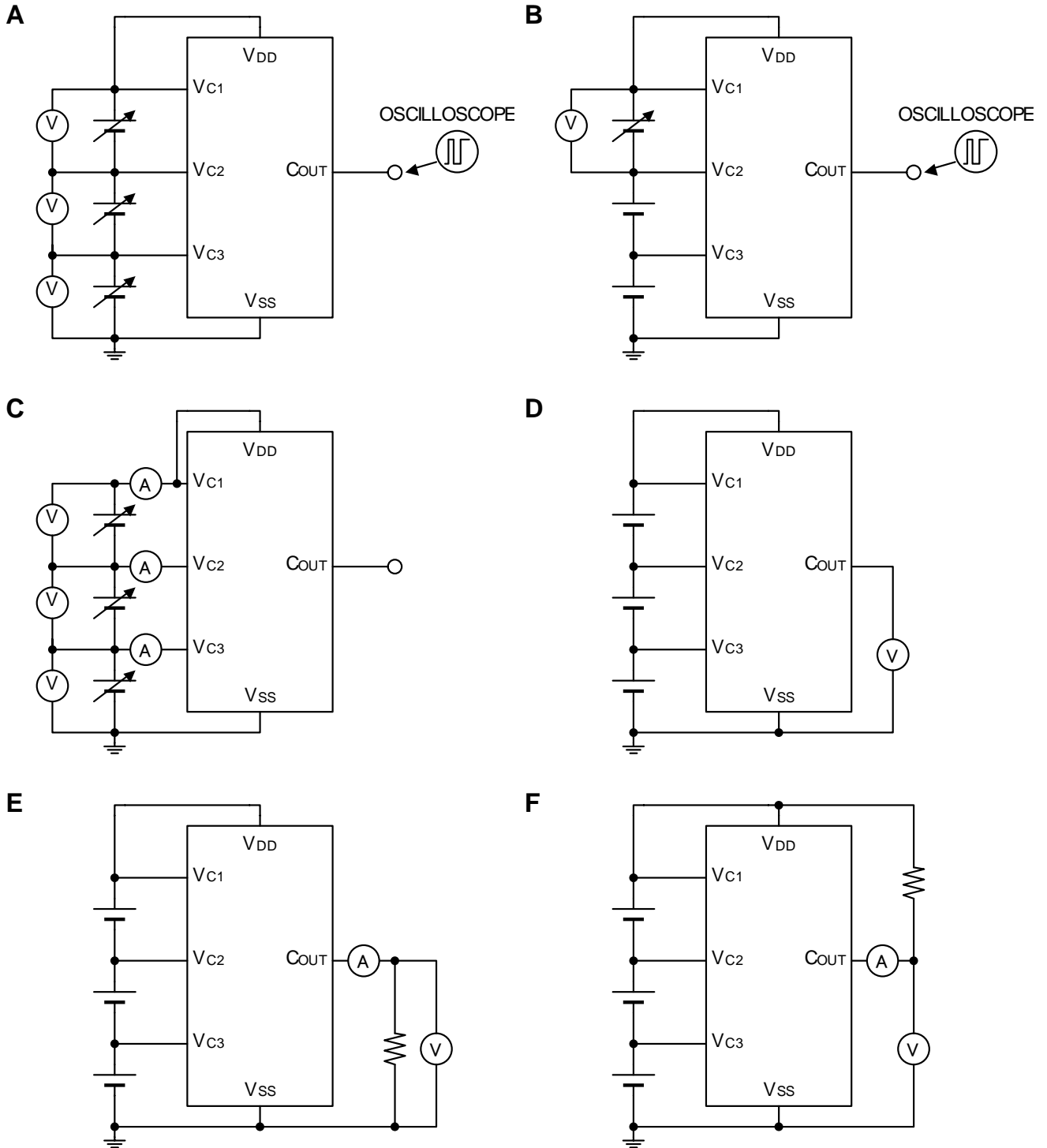
1-11-2 Osaki, Shinagawa, Tokyo

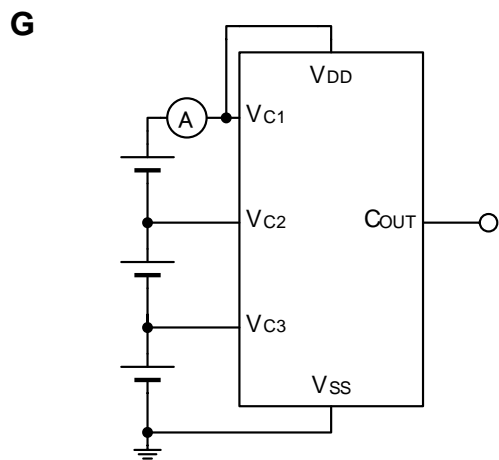
Gate-city Osaki East Tower 8F

Phone 03-5435-3946

<http://www.sonycid.jp>

TEST CIRCUITS





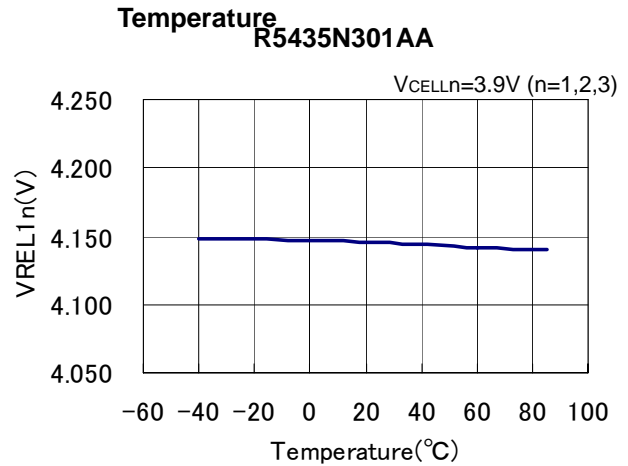
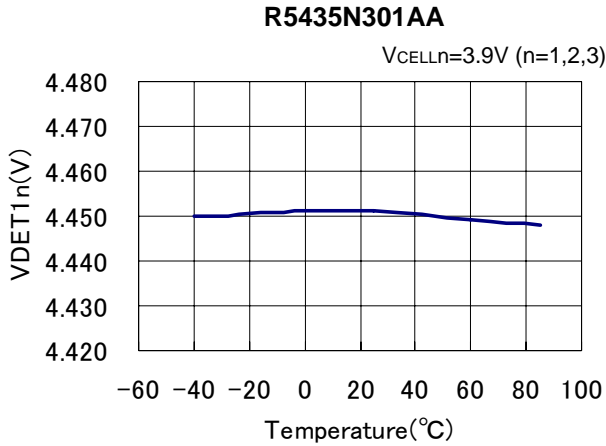
Typical Characteristics were obtained with using those above circuits:

- Test Circuit A: Typical characteristics 1), 2)
- Test Circuit B: Typical characteristics 3), 4), 6)
- Test Circuit C: Typical characteristics 5)
- Test Circuit D: Typical characteristics 7)
- Test Circuit E: Typical characteristics 8)
- Test Circuit F: Typical characteristics 9)
- Test Circuit G: Typical characteristics 10), 11)

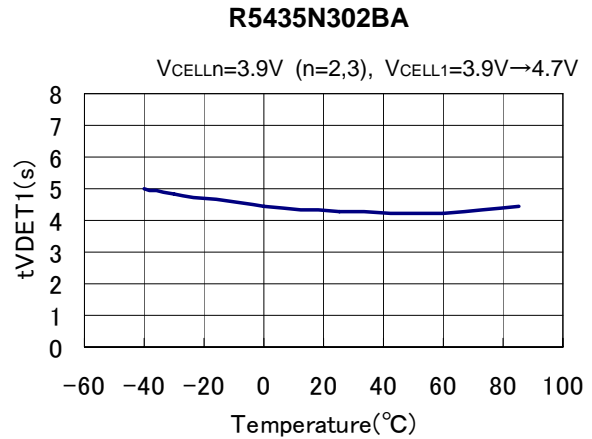
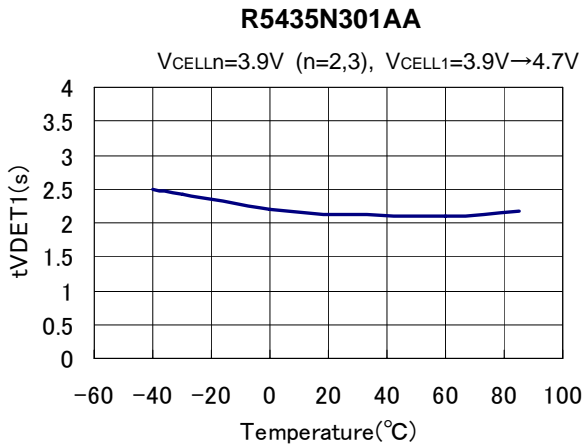
TYPICAL CHARACTERISTICS

Part1. vs. Temperature

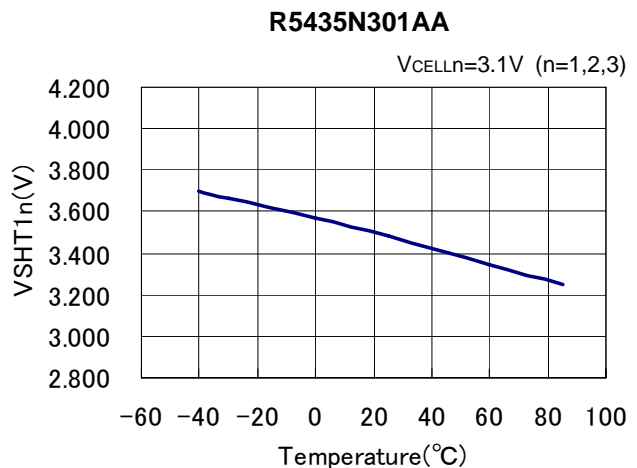
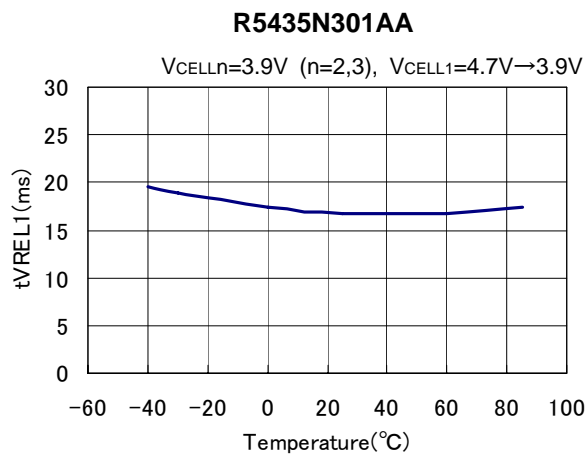
- 1) Over-charge voltage Threshold (CELLn) vs. Temperature 2) Over-charge Released Voltage (CELLn) vs. Temperature



- 3) Output Delay of Over-charge vs. Temperature

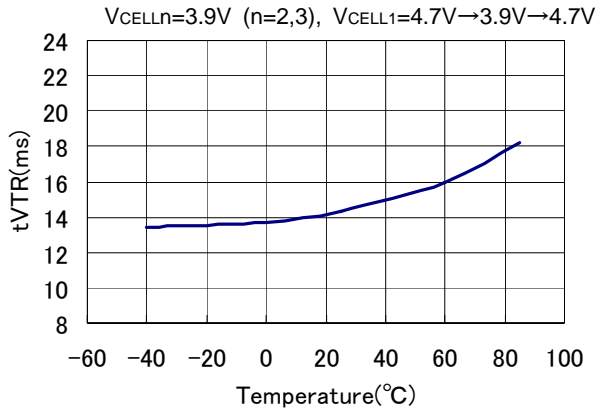


- 4) Output Delay of Release from Over-charge vs. Temperature 5) Shutdown Detector Threshold vs. Temperature

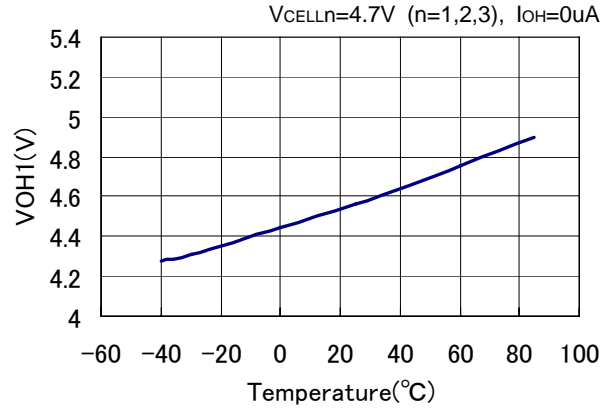


6) Output Delay of Over-charge Timer Reset vs. Temperature 7) C_{OUT} Pch ON Voltage 1 vs. Temperature

R5435N301AA

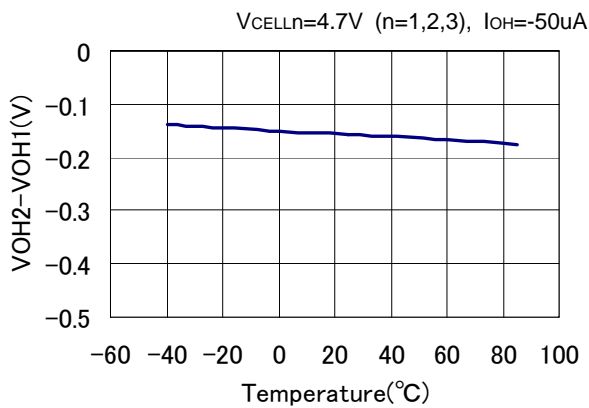


R5435N301AA



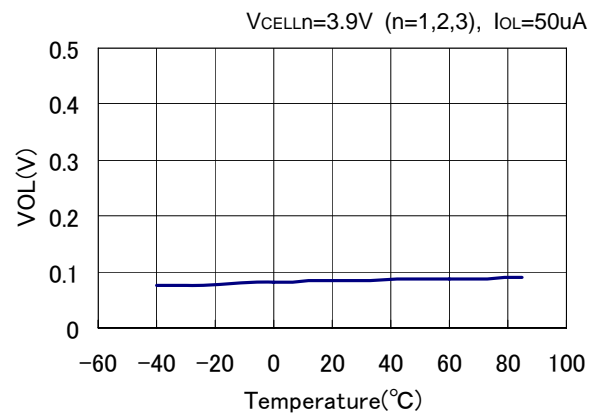
8) C_{OUT} Pch ON Voltage 2 vs. Temperature

R5435N301AA



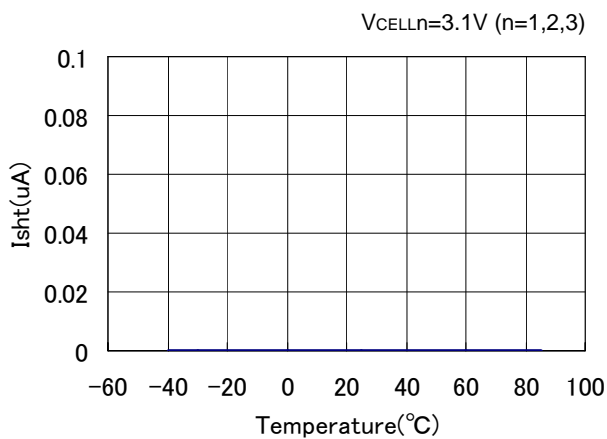
9) C_{OUT} Nch ON Voltage vs. Temperature

R5435N301AA



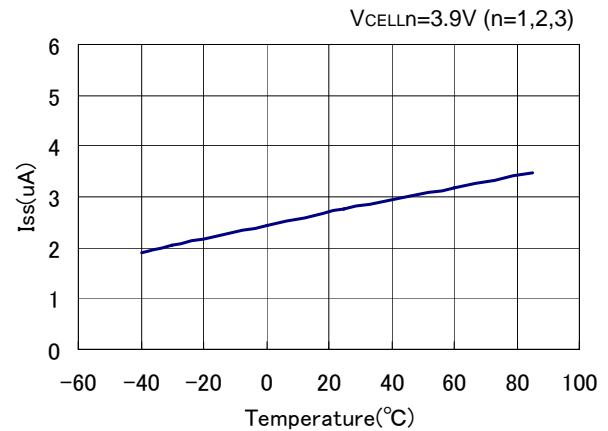
10) Shutdown Current vs. Temperature

R5435N301AA



11) Supply Current vs. Temperature

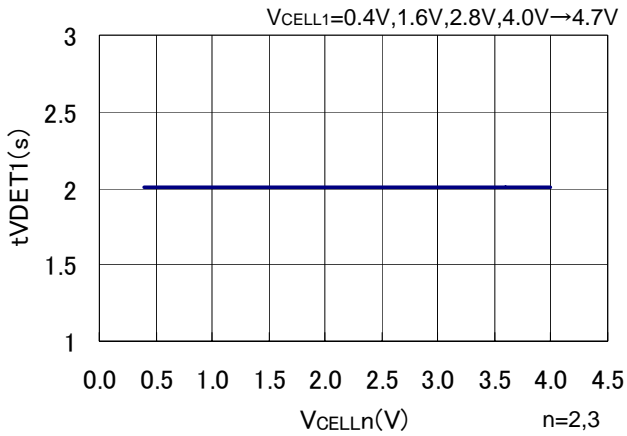
R5435N301AA



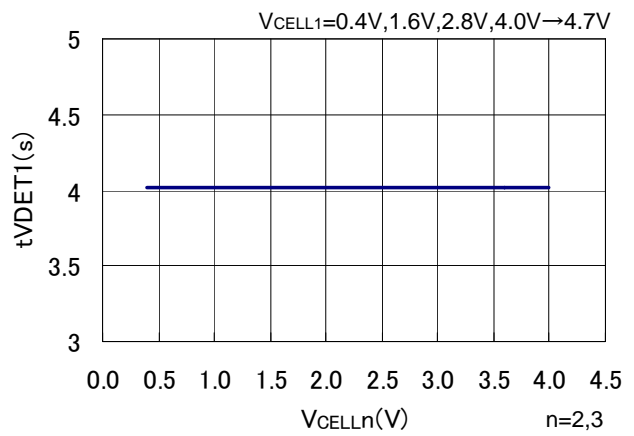
Part2. Delay Time dependence on V_{DD}

1) Output Delay of Over-charge vs. V_{DD}

R5435N301AA

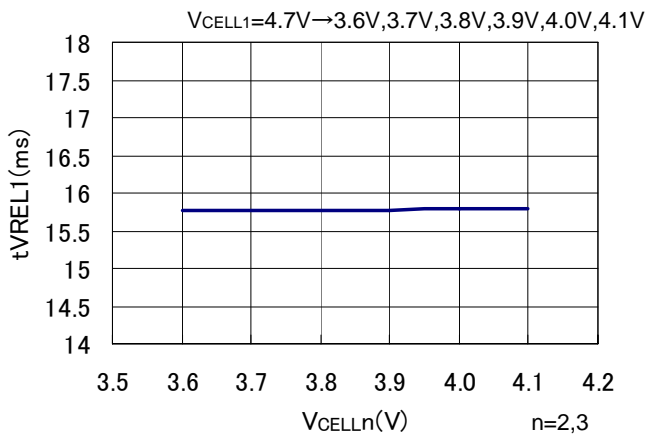


R5435N302BA



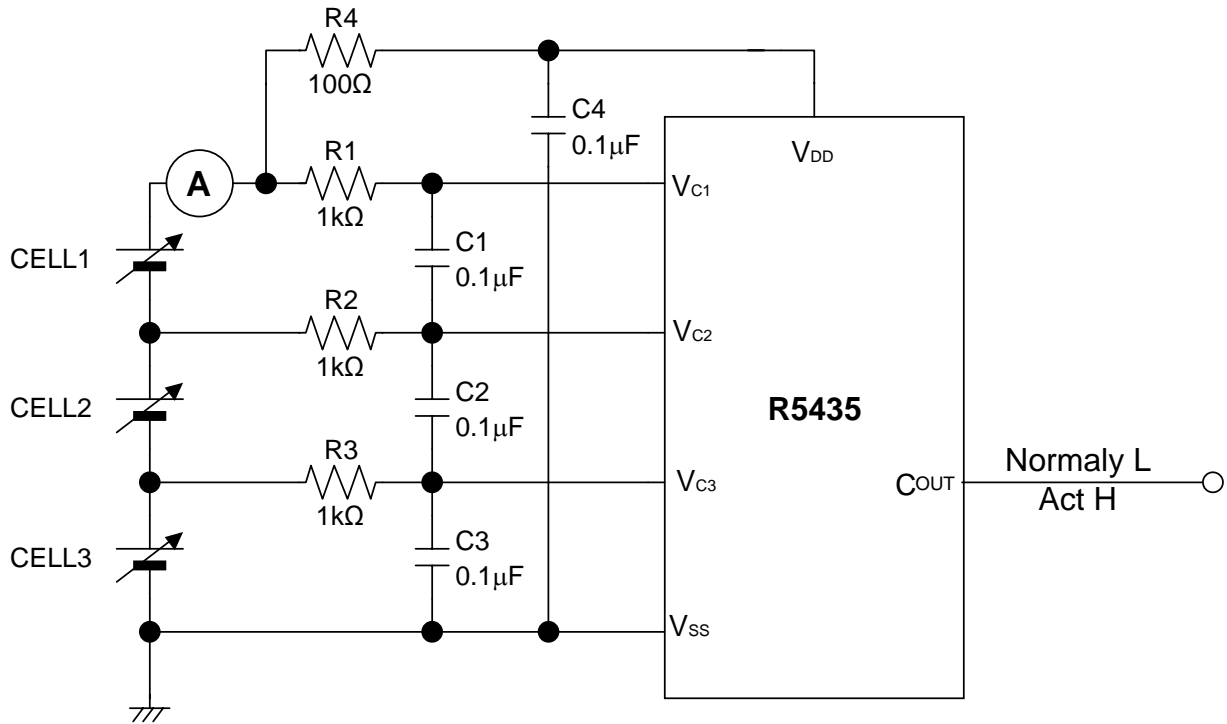
2) Output Delay of Release from Over-charge vs. V_{DD}

R5435N301AA

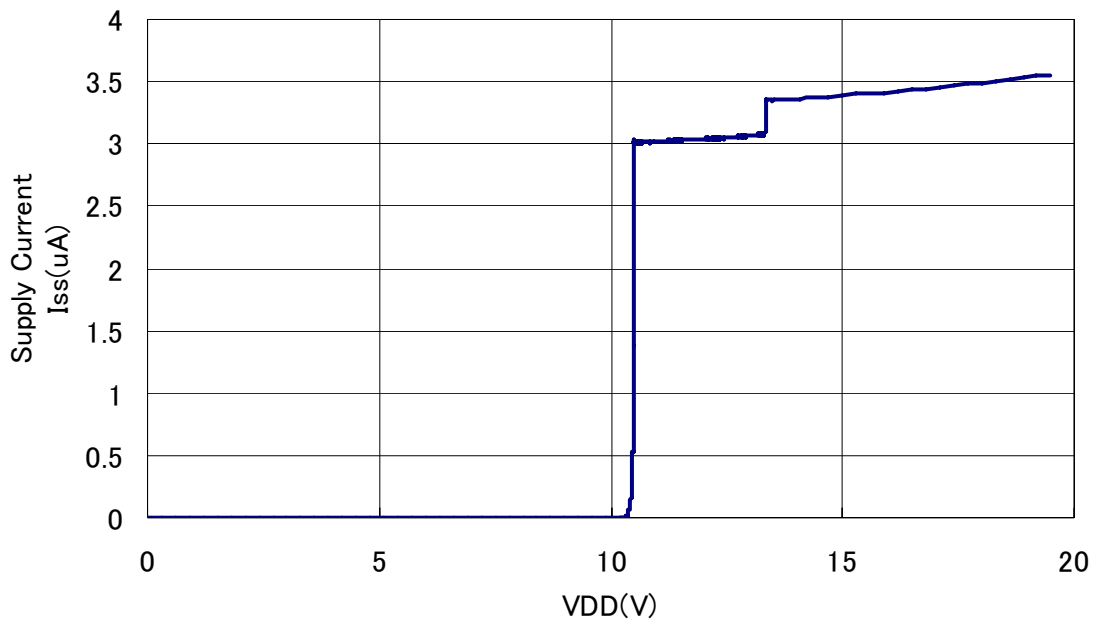


Part3. Supply Current dependence on V_{DD} (R5435N301AA)

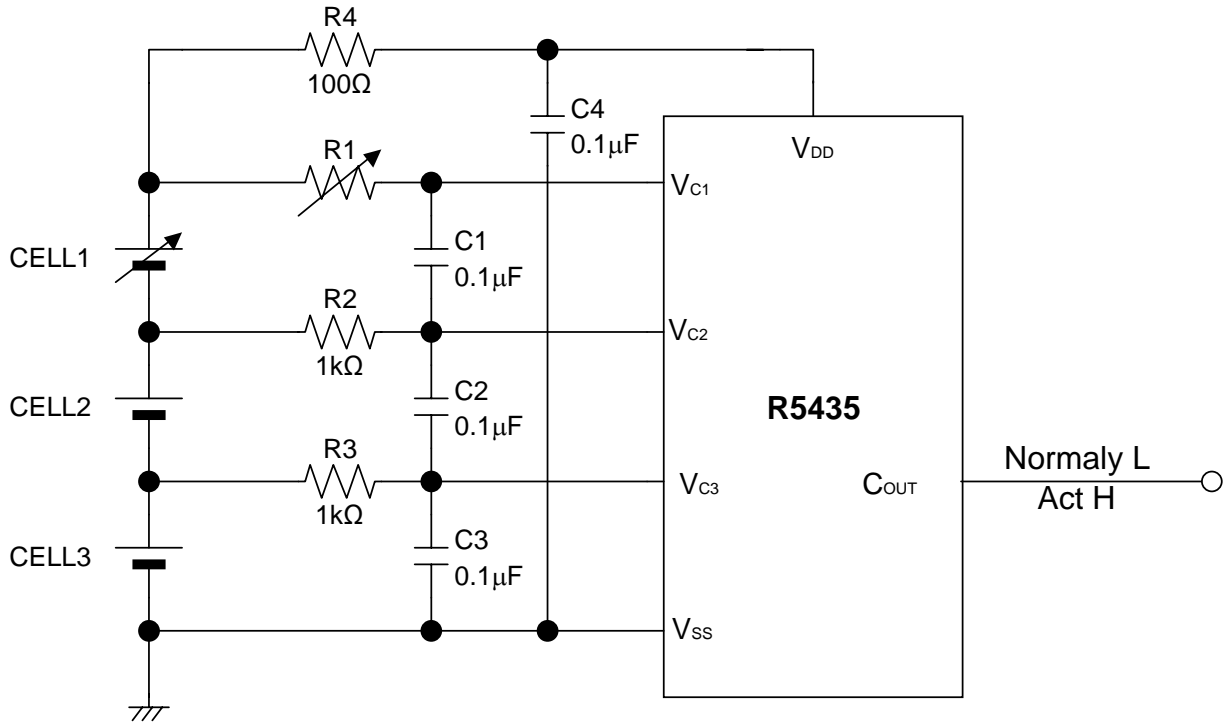
C1



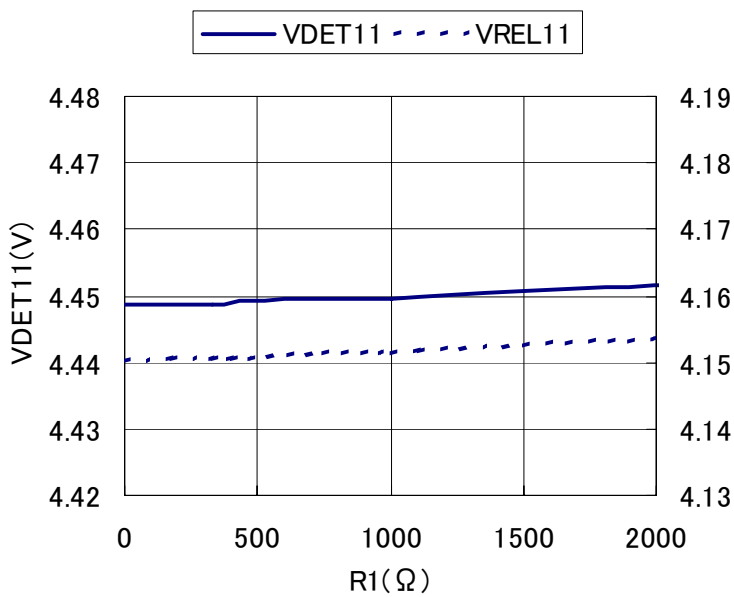
3-cell protector Supply Current vs. V_{DD}



Part4. Over-charge detector, Release voltage from Over-charge dependence on External Resistance value (R5435N301AA)



Over-charge Detector/Released Voltage from Over-charge vs. R1 (CELL1)





1. The products and the product specifications described in this document are subject to change or discontinuation of production without notice for reasons such as improvement. Therefore, before deciding to use the products, please refer to Ricoh sales representatives for the latest information thereon.
2. The materials in this document may not be copied or otherwise reproduced in whole or in part without prior written consent of Ricoh.
3. Please be sure to take any necessary formalities under relevant laws or regulations before exporting or otherwise taking out of your country the products or the technical information described herein.
4. The technical information described in this document shows typical characteristics of and example application circuits for the products. The release of such information is not to be construed as a warranty of or a grant of license under Ricoh's or any third party's intellectual property rights or any other rights.
5. The products listed in this document are intended and designed for use as general electronic components in standard applications (office equipment, telecommunication equipment, measuring instruments, consumer electronic products, amusement equipment etc.). Those customers intending to use a product in an application requiring extreme quality and reliability, for example, in a highly specific application where the failure or misoperation of the product could result in human injury or death (aircraft, spacevehicle, nuclear reactor control system, traffic control system, automotive and transportation equipment, combustion equipment, safety devices, life support system etc.) should first contact us.
6. We are making our continuous effort to improve the quality and reliability of our products, but semiconductor products are likely to fail with certain probability. In order to prevent any injury to persons or damages to property resulting from such failure, customers should be careful enough to incorporate safety measures in their design, such as redundancy feature, fire containment feature and fail-safe feature. We do not assume any liability or responsibility for any loss or damage arising from misuse or inappropriate use of the products.
7. Anti-radiation design is not implemented in the products described in this document.
8. The X-ray exposure can influence functions and characteristics of the products. Confirm the product functions and characteristics in the evaluation stage.
9. WLCSP products should be used in light shielded environments. The light exposure can influence functions and characteristics of the products under operation or storage.
10. There can be variation in the marking when different AOI (Automated Optical Inspection) equipment is used. In the case of recognizing the marking characteristic with AOI, please contact Ricoh sales or our distributor before attempting to use AOI.
11. Please contact Ricoh sales representatives should you have any questions or comments concerning the products or the technical information.



Ricoh is committed to reducing the environmental loading materials in electrical devices with a view to contributing to the protection of human health and the environment.

Ricoh has been providing RoHS compliant products since April 1, 2006 and Halogen-free products since April 1, 2012.

RICOH RICOH ELECTRONIC DEVICES CO., LTD.

<https://www.e-devices.ricoh.co.jp/en/>

Sales & Support Offices

Ricoh Electronic Devices Co., Ltd.

Shin-Yokohama Office (International Sales)

2-3, Shin-Yokohama 3-chome, Kohoku-ku, Yokohama-shi, Kanagawa, 222-8530, Japan
Phone: +81-50-3814-7687 Fax: +81-45-474-0074

Ricoh Americas Holdings, Inc.

675 Campbell Technology Parkway, Suite 200 Campbell, CA 95008, U.S.A.
Phone: +1-408-610-3105

Ricoh Europe (Netherlands) B.V.

Semiconductor Support Centre

Prof. W.H. Keesomlaan 1, 1183 DJ Amstelveen, The Netherlands
Phone: +31-20-5474-309

Ricoh International B.V. - German Branch

Semiconductor Sales and Support Centre

Oberrather Strasse 6, 40472 Düsseldorf, Germany
Phone: +49-211-6546-0

Ricoh Electronic Devices Korea Co., Ltd.

3F, Haesung Bldg, 504, Teheran-ro, Gangnam-gu, Seoul, 135-725, Korea
Phone: +82-2-2135-5700 Fax: +82-2-2051-5713

Ricoh Electronic Devices Shanghai Co., Ltd.

Room 403, No.2 Building, No.690 Bibo Road, Pu Dong New District, Shanghai 201203,
People's Republic of China
Phone: +86-21-5027-3200 Fax: +86-21-5027-3299

Ricoh Electronic Devices Shanghai Co., Ltd.

Shenzhen Branch

1205, Block D (Jinlong Building), Kingkey 100, Hongbao Road, Luohu District,
Shenzhen, China
Phone: +86-755-8348-7600 Ext 225

Ricoh Electronic Devices Co., Ltd.

Taipei office

Room 109, 10F-1, No.51, Hengyang Rd., Taipei City, Taiwan (R.O.C.)
Phone: +886-2-2313-1621/1622 Fax: +886-2-2313-1623

Mouser Electronics

Authorized Distributor

Click to View Pricing, Inventory, Delivery & Lifecycle Information:

[RicoH Electronics:](#)

[R5435N303AA-TR-FE](#) [R5435N304AA-TR-FE](#)



Компания «ЭлектроПласт» предлагает заключение долгосрочных отношений при поставках импортных электронных компонентов на взаимовыгодных условиях!

Наши преимущества:

- Оперативные поставки широкого спектра электронных компонентов отечественного и импортного производства напрямую от производителей и с крупнейших мировых складов;
- Поставка более 17-ти миллионов наименований электронных компонентов;
- Поставка сложных, дефицитных, либо снятых с производства позиций;
- Оперативные сроки поставки под заказ (от 5 рабочих дней);
- Экспресс доставка в любую точку России;
- Техническая поддержка проекта, помощь в подборе аналогов, поставка прототипов;
- Система менеджмента качества сертифицирована по Международному стандарту ISO 9001;
- Лицензия ФСБ на осуществление работ с использованием сведений, составляющих государственную тайну;
- Поставка специализированных компонентов (Xilinx, Altera, Analog Devices, Intersil, Interpoint, Microsemi, Aeroflex, Peregrine, Syfer, Eurofarad, Texas Instrument, Miteq, Cobham, E2V, MA-COM, Hittite, Mini-Circuits, General Dynamics и др.);

Помимо этого, одним из направлений компании «ЭлектроПласт» является направление «Источники питания». Мы предлагаем Вам помощь Конструкторского отдела:

- Подбор оптимального решения, техническое обоснование при выборе компонента;
- Подбор аналогов;
- Консультации по применению компонента;
- Поставка образцов и прототипов;
- Техническая поддержка проекта;
- Защита от снятия компонента с производства.



Как с нами связаться

Телефон: 8 (812) 309 58 32 (многоканальный)

Факс: 8 (812) 320-02-42

Электронная почта: org@eplast1.ru

Адрес: 198099, г. Санкт-Петербург, ул. Калинина, дом 2, корпус 4, литера А.