

Isolation amplifier - MACX MCR-SL-NAM-2RO-SP - 2924265

Please be informed that the data shown in this PDF Document is generated from our Online Catalog. Please find the complete data in the user's documentation. Our General Terms of Use for Downloads are valid (<http://phoenixcontact.com/download>)



NAMUR isolation amplifier for operating proximity sensors and switches. The signals are transferred to the control level using 2 separate relay outputs (N/O contacts). Line fault detection (LFD), galvanic 3-way isolation, SIL 2.

The illustration shows the versions with screw connection

Product Features

- ✓ Power supply and error indication possible via DIN rail connector
- ✓ Installation in zone 2, protection type "n" (EN 60079-15) permitted
- ✓ Up to SIL 2 according to EN 61508
- ✓ Line fault detection (LFD), can be activated/deactivated, error indicated by red flashing LED with de-excitation of output relay
- ✓ 4-way electrical isolation
- ✓ Input for NAMUR proximity sensors (EN 60947-5-6), floating contacts or contacts with resistance circuit
- ✓ LED indicators for supply voltage, switching state, and malfunction according to NAMUR NE 44
- ✓ 2 relay signal outputs (N/O contact); output 2 can also be used as an error signaling output
- ✓ Direction of operation can be selected (operating or closed circuit current behavior)



Key commercial data

| | |
|--------------------------------------|-----------|
| Packing unit | 1 pc |
| Weight per Piece (excluding packing) | 140.0 GRM |
| Custom tariff number | 85437090 |
| Country of origin | Germany |

Technical data

Note

| | |
|-------------------------|---|
| Utilization restriction | EMC: class A product, see manufacturer's declaration in the download area |
|-------------------------|---|

Isolation amplifier - MACX MCR-SL-NAM-2RO-SP - 2924265

Technical data

Dimensions

| | |
|--------|----------|
| Width | 12.5 mm |
| Height | 99 mm |
| Depth | 114.5 mm |

Ambient conditions

| | |
|---|--|
| Ambient temperature (operation) | -20 °C ... 60 °C (Any mounting position) |
| Ambient temperature (storage/transport) | -40 °C ... 85 °C |
| Maximum altitude | ≤ 2000 m |
| Permissible humidity (operation) | 10 % ... 95 % (non-condensing) |
| Noise immunity | EN 61000-6-2 |
| Degree of protection | IP20 |

Input data

| | |
|---------------------------------|-----------------------|
| Non-load voltage | ~ 8 V DC |
| Switching points (attenuated) | < 1.2 mA (blocking) |
| Switching points (unattenuated) | > 2.1 mA (conductive) |

Output data

| | |
|---------------------------|---|
| Switching output | Relay output |
| Contact type | 2 N/O contacts |
| Contact material | AgSnO ₂ , hard gold-plated |
| Maximum switching voltage | 250 V AC (2 A) 120 V DC (0.2 A) 30 V DC (2 A) |
| Max. switching power | 500 VA |
| Mechanical service life | 10 ⁷ cycles |

Power supply

| | |
|--------------------------|-----------------------|
| Nominal supply voltage | 24 V DC |
| Supply voltage range | 19.2 V DC ... 30 V DC |
| Max. current consumption | 30 mA (24 V DC) |
| Power consumption | < 950 mW |

Connection data

| | |
|--|---------------------|
| Conductor cross section solid min. | 0.2 mm ² |
| Conductor cross section solid max. | 1.5 mm ² |
| Conductor cross section stranded min. | 0.2 mm ² |
| Conductor cross section stranded max. | 1.5 mm ² |
| Conductor cross section AWG/kcmil min. | 24 |
| Conductor cross section AWG/kcmil max. | 16 |

Isolation amplifier - MACX MCR-SL-NAM-2RO-SP - 2924265

Technical data

Connection data

| | |
|-------------------|------------------------|
| Stripping length | 8 mm |
| Connection method | Spring-cage connection |

General

| | |
|---|--|
| No. of channels | 1 |
| Status display | Green LED (supply voltage) LED yellow (switching state) Red LED (line errors) |
| Inflammability class according to UL 94 | V0 |
| Pollution degree | 2 |
| Surge voltage category | III |
| Housing material | PA 66-FR |
| Color | green |
| Designation | Input/output/supply, DIN rail connector |
| Electrical isolation | 300 V _{rms} (Rated insulation voltage (surge voltage category II; pollution degree 2, safe isolation as per EN 61010-1)) 2.5 kV (50 Hz, 1 min., test voltage) |
| Designation | Input/supply, DIN rail connector |
| Electrical isolation | 300 V _{rms} (Rated insulation voltage (surge voltage category II; pollution degree 2, safe isolation as per EN 61010-1)) 2.5 kV (50 Hz, 1 min., test voltage) |
| Designation | Output 1/output 2/input, power supply, T connector |
| Electrical isolation | 300 V _{rms} (Rated insulation voltage (surge voltage category III; pollution degree 2, safe isolation as per EN 61010-1)) 2.5 kV (50 Hz, 1 min., test voltage) |
| Conformance | CE-compliant, additionally EN 61326 |
| ATEX | # II 3 G Ex nA nC IIC T4 Gc X |
| UL, USA / Canada | UL applied for |

Safety characteristic data

| | |
|------------------------------|---------------------------------|
| Integrity requirement | IEC 61508 - Low demand |
| Designation | Non-inverted operation |
| Equipment type | Type A |
| Safety Integrity Level (SIL) | Up to 2 |
| Safe Failure Fraction (SFF) | 78 % |
| λ_{SU} | 2.49×10^{-7} (249 FIT) |
| λ_{SD} | 6×10^{-9} (6 FIT) |
| λ_{DU} | 6.4×10^{-8} (64 FIT) |
| λ_{DD} | 7×10^{-9} (7 FIT) |

Isolation amplifier - MACX MCR-SL-NAM-2RO-SP - 2924265

Technical data

Safety characteristic data

| | |
|--|--|
| Probability of a hazardous failure on demand (PFD _{AVG}) | 3.09 x 10 ⁻⁴ (1 year) |
| | 6.17 x 10 ⁻⁴ (2 years) |
| | 1.54 x 10 ⁻³ (5 years) |
| Diagnostic coverage (DC) | DC _S = 2.4%, DC _D = 9% |
| Integrity requirement | IEC 61508 - Low demand |
| Designation | Inverted operation |
| Equipment type | Type A |
| Safety Integrity Level (SIL) | Up to 2 |
| Safe Failure Fraction (SFF) | 78 % |
| λ _{SU} | 2.48 x 10 ⁻⁷ (248 FIT) |
| λ _{SD} | 1 x 10 ⁻⁹ (1 FIT) |
| λ _{DU} | 6.2 x 10 ⁻⁸ (62 FIT) |
| λ _{DD} | 6 x 10 ⁻⁹ (6 FIT) |
| Probability of a hazardous failure on demand (PFD _{AVG}) | 3.01 x 10 ⁻⁴ (1 year) |
| | 6.02 x 10 ⁻⁴ (2 years) |
| | 1.5 x 10 ⁻³ (5 years) |
| Diagnostic coverage (DC) | DC _S = 0.4%, DC _D = 8% |

Classifications

eCl@ss

| | |
|------------|----------|
| eCl@ss 4.0 | 27210121 |
| eCl@ss 4.1 | 27210121 |
| eCl@ss 5.0 | 27210121 |
| eCl@ss 5.1 | 27210121 |
| eCl@ss 6.0 | 27210121 |
| eCl@ss 7.0 | 27210121 |
| eCl@ss 8.0 | 27210121 |

ETIM

| | |
|----------|----------|
| ETIM 2.0 | EC001430 |
| ETIM 3.0 | EC001599 |
| ETIM 4.0 | EC002653 |
| ETIM 5.0 | EC002653 |

Isolation amplifier - MACX MCR-SL-NAM-2RO-SP - 2924265

Classifications

UNSPSC

| | |
|---------------|----------|
| UNSPSC 6.01 | 30211506 |
| UNSPSC 7.0901 | 39121008 |
| UNSPSC 11 | 39121008 |
| UNSPSC 12.01 | 39121008 |
| UNSPSC 13.2 | 39121008 |

Approvals

Approvals

Approvals

GL / Functional Safety

Ex Approvals

ATEX

Approvals submitted

Approval details

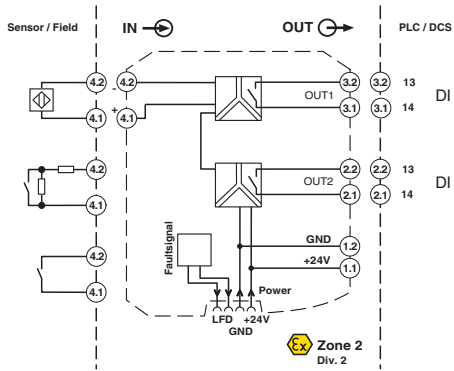
| |
|----|
| GL |
|----|

| |
|-------------------|
| Functional Safety |
|-------------------|

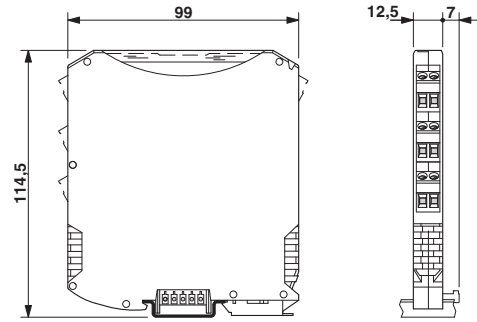
Drawings

Isolation amplifier - MACX MCR-SL-NAM-2RO-SP - 2924265

Block diagram



Dimensioned drawing





Компания «ЭлектроПласт» предлагает заключение долгосрочных отношений при поставках импортных электронных компонентов на взаимовыгодных условиях!

Наши преимущества:

- Оперативные поставки широкого спектра электронных компонентов отечественного и импортного производства напрямую от производителей и с крупнейших мировых складов;
- Поставка более 17-ти миллионов наименований электронных компонентов;
- Поставка сложных, дефицитных, либо снятых с производства позиций;
- Оперативные сроки поставки под заказ (от 5 рабочих дней);
- Экспресс доставка в любую точку России;
- Техническая поддержка проекта, помощь в подборе аналогов, поставка прототипов;
- Система менеджмента качества сертифицирована по Международному стандарту ISO 9001;
- Лицензия ФСБ на осуществление работ с использованием сведений, составляющих государственную тайну;
- Поставка специализированных компонентов (Xilinx, Altera, Analog Devices, Intersil, Interpoint, Microsemi, Aeroflex, Peregrine, Syfer, Eurofarad, Texas Instrument, Miteq, Cobham, E2V, MA-COM, Hittite, Mini-Circuits, General Dynamics и др.);

Помимо этого, одним из направлений компании «ЭлектроПласт» является направление «Источники питания». Мы предлагаем Вам помощь Конструкторского отдела:

- Подбор оптимального решения, техническое обоснование при выборе компонента;
- Подбор аналогов;
- Консультации по применению компонента;
- Поставка образцов и прототипов;
- Техническая поддержка проекта;
- Защита от снятия компонента с производства.



Как с нами связаться

Телефон: 8 (812) 309 58 32 (многоканальный)

Факс: 8 (812) 320-02-42

Электронная почта: org@eplast1.ru

Адрес: 198099, г. Санкт-Петербург, ул. Калинина, дом 2, корпус 4, литера А.