

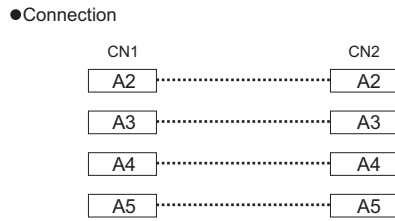
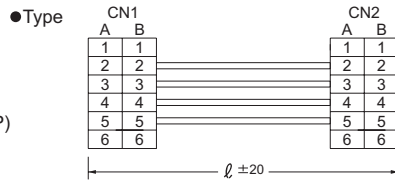
Mating harness

| Model | Harness model # | Contents | Connector | |
|-----------|-----------------|--|-----------------------|-----------------------|
| | | | SCHA | SCDA |
| SC Series | H-SN-27 | Harness for using remote signal ON/OFF function | CN1~CN4 | CN1,CN2 |
| | H-SN-28 | Harness for using MAS,SLV,CTB,PCONT,COM terminal | CN5,CN6 | CN3,CN4 |
| | H-SN-29 | Harness for using system ON/OFF function | CN7,CN8 | CN5,CN6 |
| | H-SN-30 | Harness for using alarm / output voltage monitor terminal | CN9,CN10 | CN7,CN8 |
| | H-OU-35 | Output harness | Output connector 1~20 | Output connector 1~14 |
| | H-PA-7 | Harness for using parallel connection (SLAVE unit-SLAVE unit) | CN5,CN6 | CN3,CN4 |
| | H-PA-8 | Harness for using parallel connection (MASTER unit-SLAVE unit) | CN5,CN6 | CN3,CN4 |

| <p>●Model number H-SN-27</p> <p>Housing : 1-1318119-4 (Tyco Electronics AMP) Pin : 1318105-1 or 1318107-1 (Tyco Electronics AMP) Weight : 100g max</p> | <p>●Type</p> | <p>●Wire</p> <table border="1"> <thead> <tr> <th>Pin #</th> <th>Wire</th> <th>AWG</th> <th>Color</th> <th>Length ℓ (mm)</th> </tr> </thead> <tbody> <tr><td>A 1</td><td>UL1007</td><td>22</td><td>brown</td><td>2000</td></tr> <tr><td>B 1</td><td>UL1007</td><td>22</td><td>green</td><td>2000</td></tr> <tr><td>A 2</td><td>UL1007</td><td>22</td><td>red</td><td>2000</td></tr> <tr><td>B 2</td><td>UL1007</td><td>22</td><td>blue</td><td>2000</td></tr> <tr><td>A 3</td><td>UL1007</td><td>22</td><td>orange</td><td>2000</td></tr> <tr><td>B 3</td><td>UL1007</td><td>22</td><td>purple</td><td>2000</td></tr> <tr><td>A 4</td><td>UL1007</td><td>22</td><td>yellow</td><td>2000</td></tr> <tr><td>B 4</td><td>UL1007</td><td>22</td><td>gray</td><td>2000</td></tr> </tbody> </table> | Pin # | Wire | AWG | Color | Length ℓ (mm) | A 1 | UL1007 | 22 | brown | 2000 | B 1 | UL1007 | 22 | green | 2000 | A 2 | UL1007 | 22 | red | 2000 | B 2 | UL1007 | 22 | blue | 2000 | A 3 | UL1007 | 22 | orange | 2000 | B 3 | UL1007 | 22 | purple | 2000 | A 4 | UL1007 | 22 | yellow | 2000 | B 4 | UL1007 | 22 | gray | 2000 | | | | | | | | | | | | | | | | | | | | |
|---|--------------|--|--------|------------------|-----|-------|------------------|-----|--------|----|-------|------|-----|--------|----|-------|------|-----|--------|----|-----|------|-----|--------|----|-------|------|-----|--------|----|--------|------|-----|--------|----|--------|------|-----|--------|----|--------|------|-----|--------|----|------|------|-----|--------|----|-------|------|-----|---|---|---|---|-----|---|---|---|---|-----|---|---|---|---|
| Pin # | Wire | AWG | Color | Length ℓ (mm) | | | | | | | | | | | | | | | | | | | | | | | | | | | | | | | | | | | | | | | | | | | | | | | | | | | | | | | | | | | | | | | |
| A 1 | UL1007 | 22 | brown | 2000 | | | | | | | | | | | | | | | | | | | | | | | | | | | | | | | | | | | | | | | | | | | | | | | | | | | | | | | | | | | | | | | |
| B 1 | UL1007 | 22 | green | 2000 | | | | | | | | | | | | | | | | | | | | | | | | | | | | | | | | | | | | | | | | | | | | | | | | | | | | | | | | | | | | | | | |
| A 2 | UL1007 | 22 | red | 2000 | | | | | | | | | | | | | | | | | | | | | | | | | | | | | | | | | | | | | | | | | | | | | | | | | | | | | | | | | | | | | | | |
| B 2 | UL1007 | 22 | blue | 2000 | | | | | | | | | | | | | | | | | | | | | | | | | | | | | | | | | | | | | | | | | | | | | | | | | | | | | | | | | | | | | | | |
| A 3 | UL1007 | 22 | orange | 2000 | | | | | | | | | | | | | | | | | | | | | | | | | | | | | | | | | | | | | | | | | | | | | | | | | | | | | | | | | | | | | | | |
| B 3 | UL1007 | 22 | purple | 2000 | | | | | | | | | | | | | | | | | | | | | | | | | | | | | | | | | | | | | | | | | | | | | | | | | | | | | | | | | | | | | | | |
| A 4 | UL1007 | 22 | yellow | 2000 | | | | | | | | | | | | | | | | | | | | | | | | | | | | | | | | | | | | | | | | | | | | | | | | | | | | | | | | | | | | | | | |
| B 4 | UL1007 | 22 | gray | 2000 | | | | | | | | | | | | | | | | | | | | | | | | | | | | | | | | | | | | | | | | | | | | | | | | | | | | | | | | | | | | | | | |
| <p>●Model number H-SN-28</p> <p>Housing : 1-1318118-6 (Tyco Electronics AMP) Pin : 1318105-1 or 1318107-1 (Tyco Electronics AMP) Weight : 65g max</p> | <p>●Type</p> | <p>●Wire</p> <table border="1"> <thead> <tr> <th>Pin #</th> <th>Wire</th> <th>AWG</th> <th>Color</th> <th>Length ℓ (mm)</th> </tr> </thead> <tbody> <tr><td>A 1</td><td>UL1007</td><td>22</td><td>brown</td><td>2000</td></tr> <tr><td>B 1</td><td>-</td><td>-</td><td>-</td><td>-</td></tr> <tr><td>A 2</td><td>UL1007</td><td>22</td><td>red</td><td>2000</td></tr> <tr><td>B 2</td><td>-</td><td>-</td><td>-</td><td>-</td></tr> <tr><td>A 3</td><td>UL1007</td><td>22</td><td>orange</td><td>2000</td></tr> <tr><td>B 3</td><td>-</td><td>-</td><td>-</td><td>-</td></tr> <tr><td>A 4</td><td>UL1007</td><td>22</td><td>yellow</td><td>2000</td></tr> <tr><td>B 4</td><td>-</td><td>-</td><td>-</td><td>-</td></tr> <tr><td>A 5</td><td>UL1007</td><td>22</td><td>green</td><td>2000</td></tr> <tr><td>B 5</td><td>-</td><td>-</td><td>-</td><td>-</td></tr> <tr><td>A 6</td><td>-</td><td>-</td><td>-</td><td>-</td></tr> <tr><td>B 6</td><td>-</td><td>-</td><td>-</td><td>-</td></tr> </tbody> </table> | Pin # | Wire | AWG | Color | Length ℓ (mm) | A 1 | UL1007 | 22 | brown | 2000 | B 1 | - | - | - | - | A 2 | UL1007 | 22 | red | 2000 | B 2 | - | - | - | - | A 3 | UL1007 | 22 | orange | 2000 | B 3 | - | - | - | - | A 4 | UL1007 | 22 | yellow | 2000 | B 4 | - | - | - | - | A 5 | UL1007 | 22 | green | 2000 | B 5 | - | - | - | - | A 6 | - | - | - | - | B 6 | - | - | - | - |
| Pin # | Wire | AWG | Color | Length ℓ (mm) | | | | | | | | | | | | | | | | | | | | | | | | | | | | | | | | | | | | | | | | | | | | | | | | | | | | | | | | | | | | | | | |
| A 1 | UL1007 | 22 | brown | 2000 | | | | | | | | | | | | | | | | | | | | | | | | | | | | | | | | | | | | | | | | | | | | | | | | | | | | | | | | | | | | | | | |
| B 1 | - | - | - | - | | | | | | | | | | | | | | | | | | | | | | | | | | | | | | | | | | | | | | | | | | | | | | | | | | | | | | | | | | | | | | | |
| A 2 | UL1007 | 22 | red | 2000 | | | | | | | | | | | | | | | | | | | | | | | | | | | | | | | | | | | | | | | | | | | | | | | | | | | | | | | | | | | | | | | |
| B 2 | - | - | - | - | | | | | | | | | | | | | | | | | | | | | | | | | | | | | | | | | | | | | | | | | | | | | | | | | | | | | | | | | | | | | | | |
| A 3 | UL1007 | 22 | orange | 2000 | | | | | | | | | | | | | | | | | | | | | | | | | | | | | | | | | | | | | | | | | | | | | | | | | | | | | | | | | | | | | | | |
| B 3 | - | - | - | - | | | | | | | | | | | | | | | | | | | | | | | | | | | | | | | | | | | | | | | | | | | | | | | | | | | | | | | | | | | | | | | |
| A 4 | UL1007 | 22 | yellow | 2000 | | | | | | | | | | | | | | | | | | | | | | | | | | | | | | | | | | | | | | | | | | | | | | | | | | | | | | | | | | | | | | | |
| B 4 | - | - | - | - | | | | | | | | | | | | | | | | | | | | | | | | | | | | | | | | | | | | | | | | | | | | | | | | | | | | | | | | | | | | | | | |
| A 5 | UL1007 | 22 | green | 2000 | | | | | | | | | | | | | | | | | | | | | | | | | | | | | | | | | | | | | | | | | | | | | | | | | | | | | | | | | | | | | | | |
| B 5 | - | - | - | - | | | | | | | | | | | | | | | | | | | | | | | | | | | | | | | | | | | | | | | | | | | | | | | | | | | | | | | | | | | | | | | |
| A 6 | - | - | - | - | | | | | | | | | | | | | | | | | | | | | | | | | | | | | | | | | | | | | | | | | | | | | | | | | | | | | | | | | | | | | | | |
| B 6 | - | - | - | - | | | | | | | | | | | | | | | | | | | | | | | | | | | | | | | | | | | | | | | | | | | | | | | | | | | | | | | | | | | | | | | |
| <p>●Model number H-SN-29</p> <p>Housing : 1-1318119-3 (Tyco Electronics AMP) Pin : 1318105-1 or 1318107-1 (Tyco Electronics AMP) Weight : 25g max</p> | <p>●Type</p> | <p>●Wire</p> <table border="1"> <thead> <tr> <th>Pin #</th> <th>Wire</th> <th>AWG</th> <th>Color</th> <th>Length ℓ (mm)</th> </tr> </thead> <tbody> <tr><td>A 1</td><td>UL1007</td><td>22</td><td>brown</td><td>2000</td></tr> <tr><td>B 1</td><td>-</td><td>-</td><td>-</td><td>-</td></tr> <tr><td>A 2</td><td>-</td><td>-</td><td>-</td><td>-</td></tr> <tr><td>B 2</td><td>-</td><td>-</td><td>-</td><td>-</td></tr> <tr><td>A 3</td><td>UL1007</td><td>22</td><td>orange</td><td>2000</td></tr> <tr><td>B 3</td><td>-</td><td>-</td><td>-</td><td>-</td></tr> </tbody> </table> | Pin # | Wire | AWG | Color | Length ℓ (mm) | A 1 | UL1007 | 22 | brown | 2000 | B 1 | - | - | - | - | A 2 | - | - | - | - | B 2 | - | - | - | - | A 3 | UL1007 | 22 | orange | 2000 | B 3 | - | - | - | - | | | | | | | | | | | | | | | | | | | | | | | | | | | | | | |
| Pin # | Wire | AWG | Color | Length ℓ (mm) | | | | | | | | | | | | | | | | | | | | | | | | | | | | | | | | | | | | | | | | | | | | | | | | | | | | | | | | | | | | | | | |
| A 1 | UL1007 | 22 | brown | 2000 | | | | | | | | | | | | | | | | | | | | | | | | | | | | | | | | | | | | | | | | | | | | | | | | | | | | | | | | | | | | | | | |
| B 1 | - | - | - | - | | | | | | | | | | | | | | | | | | | | | | | | | | | | | | | | | | | | | | | | | | | | | | | | | | | | | | | | | | | | | | | |
| A 2 | - | - | - | - | | | | | | | | | | | | | | | | | | | | | | | | | | | | | | | | | | | | | | | | | | | | | | | | | | | | | | | | | | | | | | | |
| B 2 | - | - | - | - | | | | | | | | | | | | | | | | | | | | | | | | | | | | | | | | | | | | | | | | | | | | | | | | | | | | | | | | | | | | | | | |
| A 3 | UL1007 | 22 | orange | 2000 | | | | | | | | | | | | | | | | | | | | | | | | | | | | | | | | | | | | | | | | | | | | | | | | | | | | | | | | | | | | | | | |
| B 3 | - | - | - | - | | | | | | | | | | | | | | | | | | | | | | | | | | | | | | | | | | | | | | | | | | | | | | | | | | | | | | | | | | | | | | | |
| <p>●Model number H-SN-30</p> <p>Housing : 2-1318119-3 (Tyco Electronics AMP) Pin : 1318105-1 or 1318107-1 (Tyco Electronics AMP) Weight : 50g max</p> | <p>●Type</p> | <p>●Wire</p> <table border="1"> <thead> <tr> <th>Pin #</th> <th>Wire</th> <th>AWG</th> <th>Color</th> <th>Length ℓ (mm)</th> </tr> </thead> <tbody> <tr><td>A 1</td><td>UL1007</td><td>22</td><td>brown</td><td>2000</td></tr> <tr><td>B 1</td><td>-</td><td>-</td><td>-</td><td>-</td></tr> <tr><td>A 2</td><td>UL1007</td><td>22</td><td>red</td><td>2000</td></tr> <tr><td>B 2</td><td>UL1007</td><td>22</td><td>green</td><td>2000</td></tr> <tr><td>A 3</td><td>UL1007</td><td>22</td><td>orange</td><td>2000</td></tr> <tr><td>B 3</td><td>-</td><td>-</td><td>-</td><td>-</td></tr> </tbody> </table> | Pin # | Wire | AWG | Color | Length ℓ (mm) | A 1 | UL1007 | 22 | brown | 2000 | B 1 | - | - | - | - | A 2 | UL1007 | 22 | red | 2000 | B 2 | UL1007 | 22 | green | 2000 | A 3 | UL1007 | 22 | orange | 2000 | B 3 | - | - | - | - | | | | | | | | | | | | | | | | | | | | | | | | | | | | | | |
| Pin # | Wire | AWG | Color | Length ℓ (mm) | | | | | | | | | | | | | | | | | | | | | | | | | | | | | | | | | | | | | | | | | | | | | | | | | | | | | | | | | | | | | | | |
| A 1 | UL1007 | 22 | brown | 2000 | | | | | | | | | | | | | | | | | | | | | | | | | | | | | | | | | | | | | | | | | | | | | | | | | | | | | | | | | | | | | | | |
| B 1 | - | - | - | - | | | | | | | | | | | | | | | | | | | | | | | | | | | | | | | | | | | | | | | | | | | | | | | | | | | | | | | | | | | | | | | |
| A 2 | UL1007 | 22 | red | 2000 | | | | | | | | | | | | | | | | | | | | | | | | | | | | | | | | | | | | | | | | | | | | | | | | | | | | | | | | | | | | | | | |
| B 2 | UL1007 | 22 | green | 2000 | | | | | | | | | | | | | | | | | | | | | | | | | | | | | | | | | | | | | | | | | | | | | | | | | | | | | | | | | | | | | | | |
| A 3 | UL1007 | 22 | orange | 2000 | | | | | | | | | | | | | | | | | | | | | | | | | | | | | | | | | | | | | | | | | | | | | | | | | | | | | | | | | | | | | | | |
| B 3 | - | - | - | - | | | | | | | | | | | | | | | | | | | | | | | | | | | | | | | | | | | | | | | | | | | | | | | | | | | | | | | | | | | | | | | |
| <p>●Model number H-OU-35</p> <p>Housing : 1-179958-2 (Tyco Electronics AMP) Pin : 179956-2 or 316041-2 (Tyco Electronics AMP) Weight : 6g max</p> | <p>●Type</p> | <p>●Wire</p> <table border="1"> <thead> <tr> <th>Pin #</th> <th>Wire</th> <th>AWG</th> <th>Color</th> <th>Length ℓ (mm)</th> </tr> </thead> <tbody> <tr><td>1</td><td>UL1015</td><td>10</td><td>red</td><td>2000</td></tr> <tr><td>2</td><td>UL1015</td><td>10</td><td>black</td><td>2000</td></tr> </tbody> </table> | Pin # | Wire | AWG | Color | Length ℓ (mm) | 1 | UL1015 | 10 | red | 2000 | 2 | UL1015 | 10 | black | 2000 | | | | | | | | | | | | | | | | | | | | | | | | | | | | | | | | | | | | | | | | | | | | | | | | | | |
| Pin # | Wire | AWG | Color | Length ℓ (mm) | | | | | | | | | | | | | | | | | | | | | | | | | | | | | | | | | | | | | | | | | | | | | | | | | | | | | | | | | | | | | | | |
| 1 | UL1015 | 10 | red | 2000 | | | | | | | | | | | | | | | | | | | | | | | | | | | | | | | | | | | | | | | | | | | | | | | | | | | | | | | | | | | | | | | |
| 2 | UL1015 | 10 | black | 2000 | | | | | | | | | | | | | | | | | | | | | | | | | | | | | | | | | | | | | | | | | | | | | | | | | | | | | | | | | | | | | | | |

●Model number
H-PA-7

Housing : 1-1318118-6 (Tyco Electronics AMP)
Pin : 1318105-1 or 1318107-1
(Tyco Electronics AMP)
Weight : 20g max

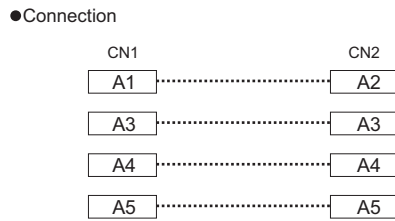
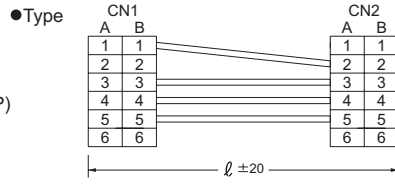


●Wire

| Pin # | | Wire | AWG | Color | Length l (mm) |
|-------|-----|--------|-----|--------|-----------------|
| CN1 | A 1 | - | - | - | - |
| | B 1 | - | - | - | - |
| | A 2 | UL1007 | 22 | red | 400 |
| | B 2 | - | - | - | - |
| | A 3 | UL1007 | 22 | orange | 400 |
| | B 3 | - | - | - | - |
| | A 4 | UL1007 | 22 | yellow | 400 |
| | B 4 | - | - | - | - |
| | A 5 | UL1007 | 22 | green | 400 |
| | B 5 | - | - | - | - |
| | A 6 | - | - | - | - |
| | B 6 | - | - | - | - |
| CN2 | A 1 | - | - | - | - |
| | B 1 | - | - | - | - |
| | A 2 | UL1007 | 22 | red | 400 |
| | B 2 | - | - | - | - |
| | A 3 | UL1007 | 22 | orange | 400 |
| | B 3 | - | - | - | - |
| | A 4 | UL1007 | 22 | yellow | 400 |
| | B 4 | - | - | - | - |
| | A 5 | UL1007 | 22 | green | 400 |
| | B 5 | - | - | - | - |
| | A 6 | - | - | - | - |
| | B 6 | - | - | - | - |

●Model number
H-PA-8

Housing : 1-1318118-6 (Tyco Electronics AMP)
Pin : 1318105-1 or 1318107-1
(Tyco Electronics AMP)
Weight : 20g max



●Wire

| Pin # | | Wire | AWG | Color | Length l (mm) |
|-------|-----|--------|-----|--------|-----------------|
| CN1 | A 1 | UL1007 | 22 | brown | 400 |
| | B 1 | - | - | - | - |
| | A 2 | - | - | - | - |
| | B 2 | - | - | - | - |
| | A 3 | UL1007 | 22 | orange | 400 |
| | B 3 | - | - | - | - |
| | A 4 | UL1007 | 22 | yellow | 400 |
| | B 4 | - | - | - | - |
| | A 5 | UL1007 | 22 | green | 400 |
| | B 5 | - | - | - | - |
| | A 6 | - | - | - | - |
| | B 6 | - | - | - | - |
| CN2 | A 1 | - | - | - | - |
| | B 1 | - | - | - | - |
| | A 2 | UL1007 | 22 | brown | 400 |
| | B 2 | - | - | - | - |
| | A 3 | UL1007 | 22 | orange | 400 |
| | B 3 | - | - | - | - |
| | A 4 | UL1007 | 22 | yellow | 400 |
| | B 4 | - | - | - | - |
| | A 5 | UL1007 | 22 | green | 400 |
| | B 5 | - | - | - | - |
| | A 6 | - | - | - | - |
| | B 6 | - | - | - | - |

Fan unit

SC Series

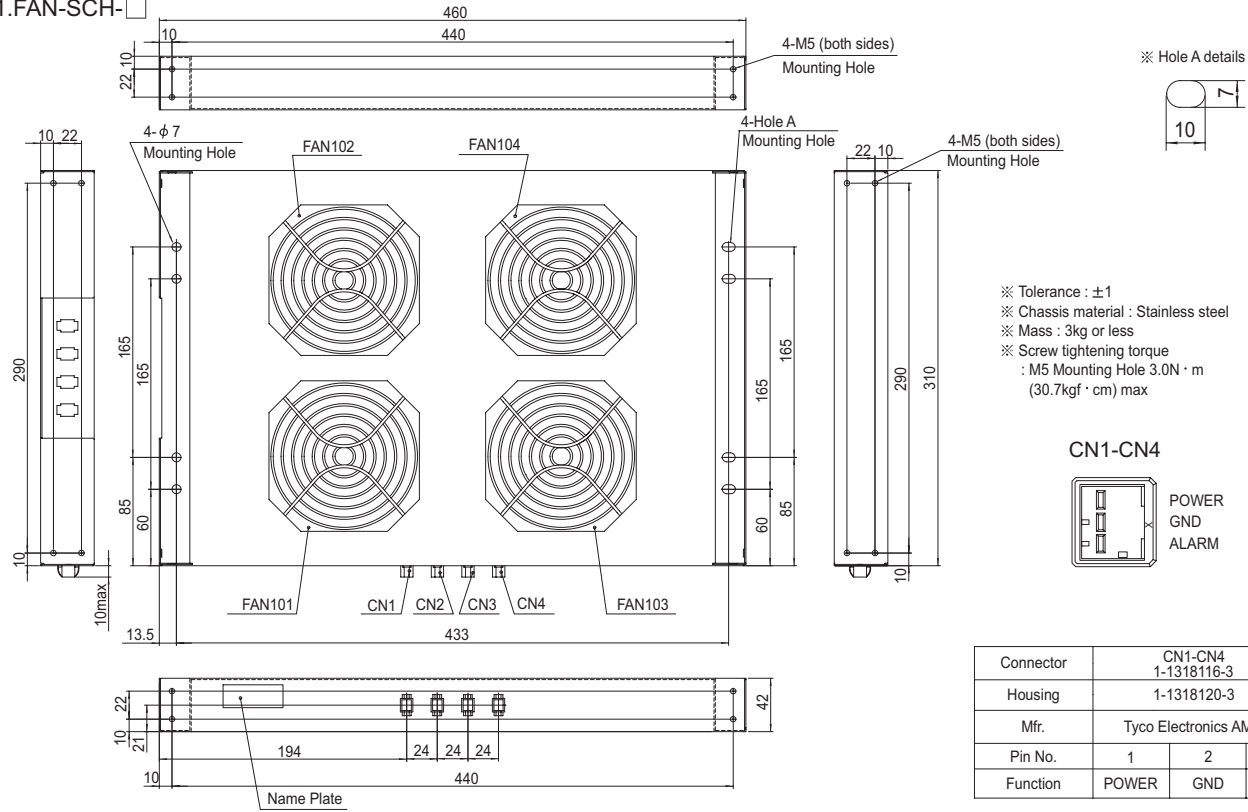
★Several kind optional fan unit are prepared for SC series.
 This fan unit is used to distribute sufficient air for cooling single SC unit.

| Fan unit type | Matching model | External |
|---------------|----------------|----------|
| FAN-SCH-1 | SCHA10000T-48 | |
| FAN-SCH-2 | SCHA10000T-48 | |
| FAN-SCD-1 | SCDA10000T-48 | |
| FAN-SCD-2 | SCDA10000T-48 | |

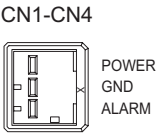
- ★ 1 Fan is delicate component, ageist impact stress such as throwing the unit, or drop the unit, careful handling is required to avoid failure.
- ★ 2 Please make sure there is not loose connection and cramping the harness wire between chassis.

1 External view

1.FAN-SCH-□

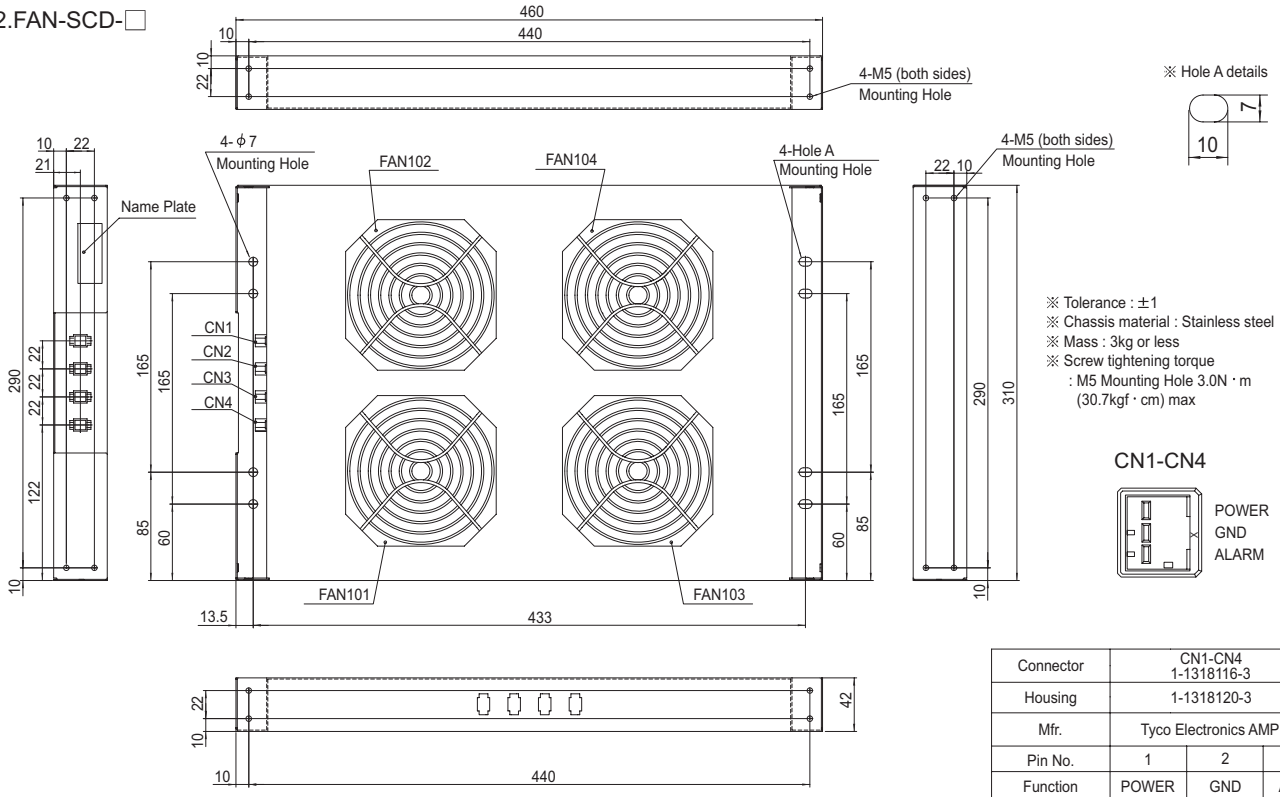


- ※ Tolerance : ±1
- ※ Chassis material : Stainless steel
- ※ Mass : 3kg or less
- ※ Screw tightening torque : M5 Mounting Hole 3.0N · m (30.7kgf · cm) max

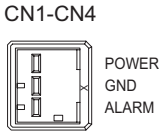


| | | | |
|-----------|------------------------|-----|-------|
| Connector | CN1-CN4 1-1318116-3 | | |
| Housing | 1-1318120-3 | | |
| Mfr. | Tyco Electronics AMP | | |
| Pin No. | 1 | 2 | 3 |
| Function | POWER | GND | ALARM |

2.FAN-SCD-□

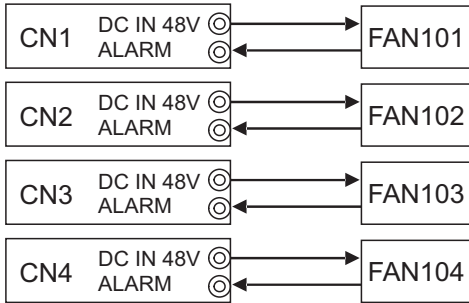


- ※ Tolerance : ±1
- ※ Chassis material : Stainless steel
- ※ Mass : 3kg or less
- ※ Screw tightening torque : M5 Mounting Hole 3.0N · m (30.7kgf · cm) max



| | | | |
|-----------|------------------------|-----|-------|
| Connector | CN1-CN4 1-1318116-3 | | |
| Housing | 1-1318120-3 | | |
| Mfr. | Tyco Electronics AMP | | |
| Pin No. | 1 | 2 | 3 |
| Function | POWER | GND | ALARM |

2 Block diagram



3 Specifications

Specifications is on Table 3.1.

Table 3.1 Specifications

| ITEM | SPECIFICATIONS |
|------------------|-----------------------------|
| INPUT VOLTAGE[V] | DC46.0-50.0 ※ |
| INPUT CURRENT[A] | 0.23/Connector (Total 0.92) |
| OPERATING TENP | 0 to +70°C |

※ You may use the output voltage of SC series

4 Fan alarm

Individual fan has built-in alarm function detecting the operation. Fan alarm specifications are shown in Table4.1. A connection for example is shown in Fig.4.1.

Table 4.1 Fan sensor specifications

| ITEM | SPECIFICATIONS |
|--------------------|-----------------------|
| OUTPUT | open collector output |
| PULL UP VOLTAGE[V] | 60max ※ |
| SINK CURRENT[ma] | 5max |

※ You can use output voltage of the SC series

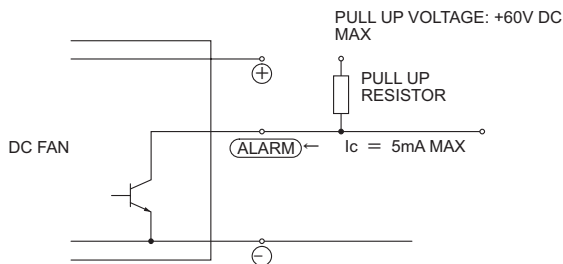


Fig.4.1 Fan alarm connection example

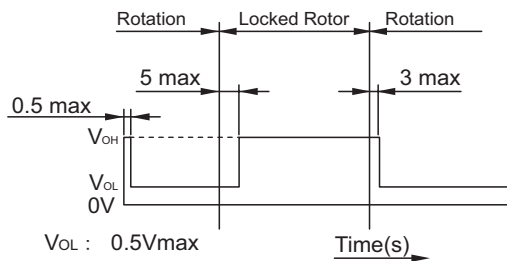


Fig.4.2 Fan alarm output wave form

5 Life time expectancy of the fan unit

Life time expectancy of the fan unit (R(t)90%) is shown in Fig.5.1.

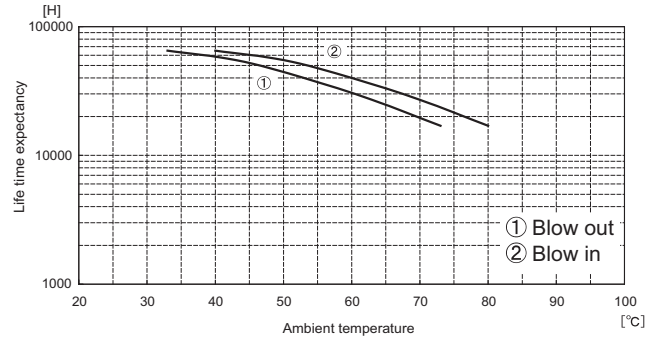
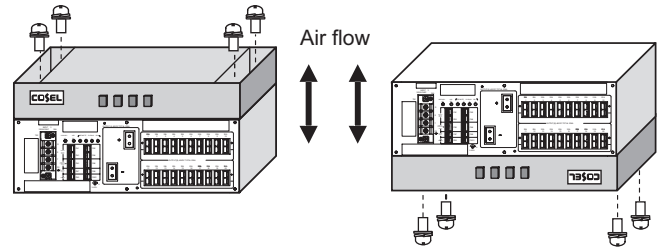


Fig.5.1 Life expectancy of fan unit

6 Installation method

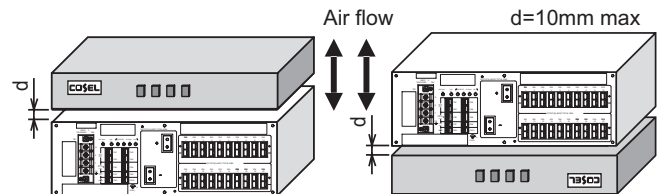
The fan unit is screw-mountable either upside or downside of SC unit.

(1) Mounting instruction by using screws to SC series.



(2) Rack-mounting

The fan unit is needed 10mm or less clearance against SC unit chassis.



7 Life time expectancy of SC series

Life time expectancy with optional fan unit : 10 years

8 Operating Environment

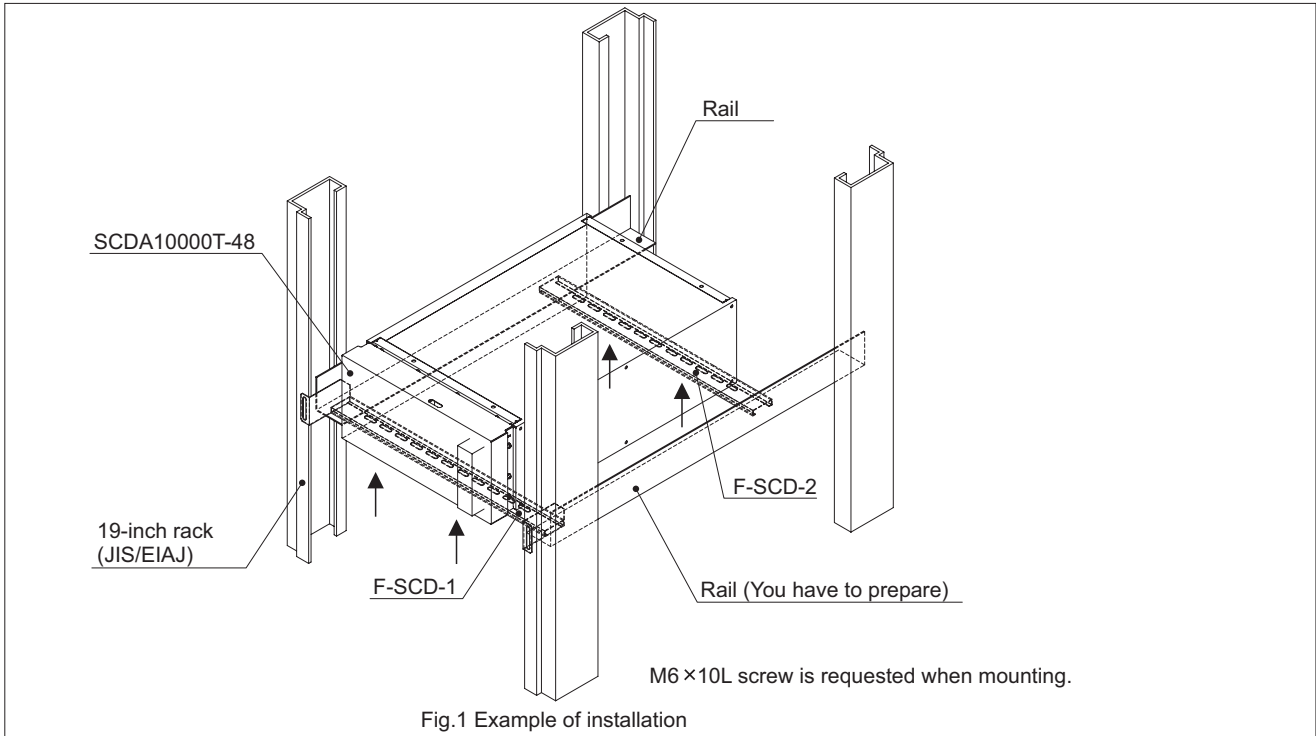
Oil and other chemical liquid splashing environment may cause the performance degradation and failure.

SC Series Attachment

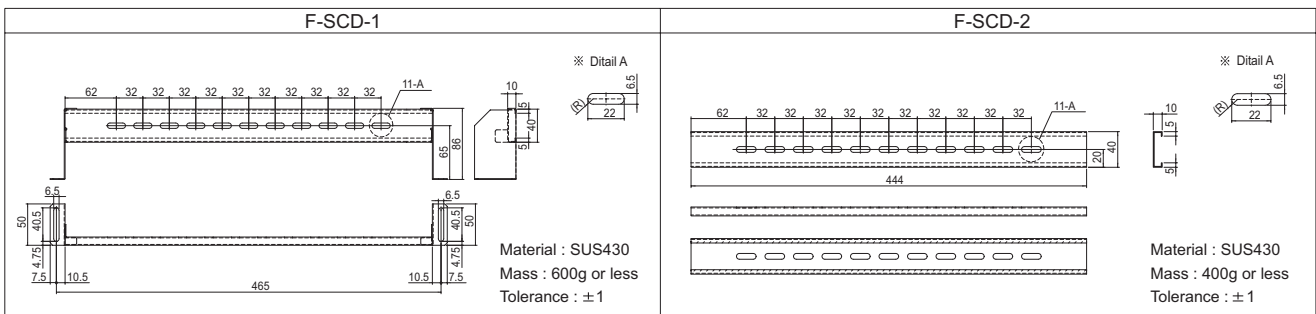
SC Series

| Plate model | Applicable to model | Note |
|-------------|---------------------|---------------------------------|
| F-SCD-1 | SCDA10000T-48 | For 19-inch rack (bracket type) |
| F-SCD-2 | SCDA10000T-48 | For 19-inch rack |

Example of installation



External view

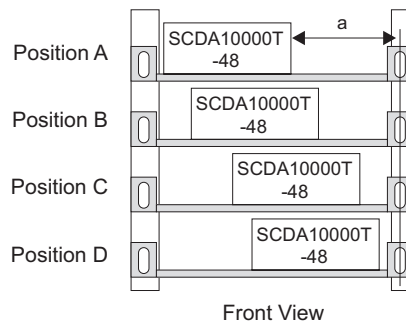


Mounting position

4 mounting position is available.
Mounting position and space distance a are on Table 1.

Table 1 position and space distance (mm)

| Position | Distance a |
|----------|------------|
| A | 115-118 |
| B | 83-93 |
| C | 51-61 |
| D | 19-29 |



Others

- 19-inch rails are required for initial preparation.
- 2 units or more stack is not recommended mounting with F-SCD-1 and F-SCD-2.



Компания «ЭлектроПласт» предлагает заключение долгосрочных отношений при поставках импортных электронных компонентов на взаимовыгодных условиях!

Наши преимущества:

- Оперативные поставки широкого спектра электронных компонентов отечественного и импортного производства напрямую от производителей и с крупнейших мировых складов;
- Поставка более 17-ти миллионов наименований электронных компонентов;
- Поставка сложных, дефицитных, либо снятых с производства позиций;
- Оперативные сроки поставки под заказ (от 5 рабочих дней);
- Экспресс доставка в любую точку России;
- Техническая поддержка проекта, помощь в подборе аналогов, поставка прототипов;
- Система менеджмента качества сертифицирована по Международному стандарту ISO 9001;
- Лицензия ФСБ на осуществление работ с использованием сведений, составляющих государственную тайну;
- Поставка специализированных компонентов (Xilinx, Altera, Analog Devices, Intersil, Interpoint, Microsemi, Aeroflex, Peregrine, Syfer, Eurofarad, Texas Instrument, Miteq, Cobham, E2V, MA-COM, Hittite, Mini-Circuits, General Dynamics и др.);

Помимо этого, одним из направлений компании «ЭлектроПласт» является направление «Источники питания». Мы предлагаем Вам помощь Конструкторского отдела:

- Подбор оптимального решения, техническое обоснование при выборе компонента;
- Подбор аналогов;
- Консультации по применению компонента;
- Поставка образцов и прототипов;
- Техническая поддержка проекта;
- Защита от снятия компонента с производства.



Как с нами связаться

Телефон: 8 (812) 309 58 32 (многоканальный)

Факс: 8 (812) 320-02-42

Электронная почта: org@eplast1.ru

Адрес: 198099, г. Санкт-Петербург, ул. Калинина, дом 2, корпус 4, литера А.