

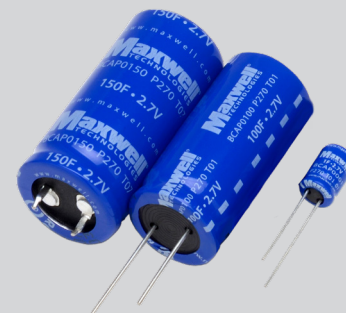
2.7V 1F, 100F, 150F ULTRACAPACITOR CELL

FEATURES AND BENEFITS*

- Up to 500,000 duty cycles or 10 year life
- Low internal resistance
- High power density
- 1F to 150F capacitance range
- -40° to 85°C operating temperature range

APPLICATIONS

- Back-up power for cache-to-flash applications
- Smart meters
- Automotive subsystems
- Consumer and industrial electronics
- Wireless transmitters



PRODUCT SPECIFICATIONS

| ELECTRICAL | BCAP0001 | BCAP0100 T01 | BCAP0150 |
|---|---------------|---------------|---------------|
| Rated Capacitance | 1 F | 100 F | 150 F |
| Minimum Capacitance, initial ³ | 0.8 F | 100 F | 150 F |
| Maximum ESR _{DC} , initial ³ | 700 mΩ | 15 mΩ | 14 mΩ |
| Test Current for Capacitance and ESR _{DC} ³ | 0.1 A | 10 A | 15 A |
| Rated Voltage (65°/85°C) | 2.70 / 2.30 V | 2.70 / 2.30 V | 2.70 / 2.30 V |
| Absolute Maximum Voltage ¹ | 2.85 V | 2.85 V | 2.85 V |
| Absolute Maximum Current ⁵ | 0.8 A | 36 A | 40 A |
| Leakage Current at 25°C, maximum ⁴ | 0.006 mA | 0.260 mA | 0.500 mA |

TEMPERATURE

Operating temperature range
(Cell case temperature)

| | | | |
|---------|------------|------------|------------|
| Minimum | -40°C | -40°C | -40°C |
| Maximum | 65° / 85°C | 65° / 85°C | 65° / 85°C |

Storage temperature range
(Stored uncharged)

| | | | |
|---------|-------|-------|-------|
| Minimum | -40°C | -40°C | -40°C |
| Maximum | 70°C | 70°C | 70°C |

PHYSICAL

| | | | |
|---------------|------------|------------|---------|
| Mass, typical | 1.1 g | 23 g | 32 g |
| Terminals | Wire Leads | Wire Leads | Snap in |
| Vibration | - | - | - |
| Shock | - | - | - |

*Results may vary. Additional terms and conditions, including the limited warranty, apply at the time of purchase. See the warranty details for applicable operating and use requirements.

PRODUCT SPECIFICATIONS

POWER & ENERGY AT 2.7V

| | BCAP0001 | BCAP0100 T01 | BCAP0150 |
|---|------------|--------------|------------|
| Usable Specific Power, P_d^6 | 1,100 W/kg | 2,500 W/kg | 2,000 W/kg |
| Impedance Match Specific Power, P_{max}^6 | 2,400 W/kg | 5,300 W/kg | 4,100 W/kg |
| Specific Energy, E_{max}^6 | 0.9 Wh/kg | 4.4 Wh/kg | 4.7 Wh/kg |
| Stored Energy, $E_{stored}^{6,9}$ | 0.001 Wh | 0.101 Wh | 0.152 Wh |

SAFETY

| | | | |
|---|--------------|--------------|--------------|
| Short Circuit Current, typical ² (Current possible with short circuit from rated voltage. Do not use as an operating current.) | 4 A | 180 A | 190 A |
| Certifications | UL810a, RoHS | UL810a, RoHS | UL810a, RoHS |

TYPICAL CHARACTERISTICS

THERMAL

| | | | |
|--|----------------------|----------------------|----------------------|
| Thermal Resistance (R_{ca} , Case to Ambient), typical ^{2,8} | 120°C/W | 22°C/W | 18°C/W |
| Thermal Capacitance (C_{th}), typical ² | 1.0 J/°C | 23 J/°C | 32 |
| Maximum Continuous Current ($\Delta T = 15^\circ\text{C}$) ^{8,10} (BOL) | 0.4 A _{RMS} | 6.7 A _{RMS} | 7.7 A _{RMS} |
| Maximum Continuous Current ($\Delta T = 40^\circ\text{C}$) ^{8,10} (BOL) | 0.7 A _{RMS} | 11 A _{RMS} | 13 A _{RMS} |

LIFE*

| | | | |
|--|----------------|----------------|----------------|
| DC Life at High Temperature ^{3,10} (held continuously at Rated Voltage & Maximum Operating Temperature) | 1,000 hours | 1,000 hours | 1,000 hours |
| Capacitance Change (% decrease from minimum initial value) | 30% | 30% | 30% |
| ESR Change (% increase from maximum initial value) | 100% | 100% | 100% |
| Projected DC Life at 25°C ^{3,10} (at Rated Voltage & 25°C) | 10 years | 10 years | 10 years |
| Capacitance Change (% decrease from minimum initial value) | 30% | 30% | 30% |
| ESR Change (% increase from maximum initial value) | 100% | 100% | 100% |
| Projected Cycle Life at 25°C ^{3,7,10} | 500,000 cycles | 500,000 cycles | 500,000 cycles |
| Capacitance Change (% decrease from minimum initial value) | 30% | 30% | 30% |
| ESR Change (% increase from maximum initial value) | 100% | 100% | 100% |
| Test Current | 0.1 A | 10 A | 15 A |
| Shelf Life (Stored uncharged at 25°C, <50% RH) | 2 years | 2 years | 2 years |

*Results may vary. Additional terms and conditions, including the limited warranty, apply at the time of purchase. See the warranty details for applicable operating and use requirements.

Datasheet: 2.7V 1F, 100F, 150F ULTRACAPACITOR CELL

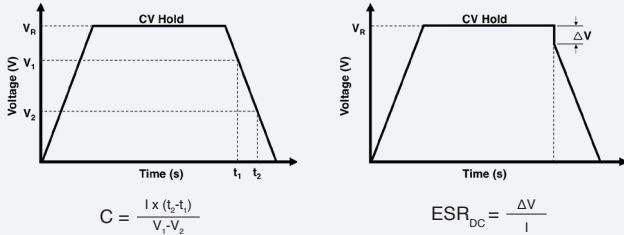
1. Surge Voltage
Absolute maximum voltage, non-repetitive. Duration not to exceed 1 second.

2. "Typical" values represent mean values of production sample.

3. Rated Capacitance & ESR_{DC} (measure method)

- Capacitance: Constant current charge (per datasheet) to V_R, 5 min hold at V_R, constant current discharge 10 mA/F to 0.1V.

- ESR_{DC}: Constant current charge (per datasheet) to V_R, 5 min hold at V_R, constant current discharge (40 * C * V_R[mA]) to 0.1 V.



where C is the capacitance (F);

I is the absolute value of the discharge current (A);

V_R is the rated voltage (V);

V₁ is the measurement start voltage, 0.8xV_R (V);

V₂ is the measurement end voltage, 0.4xV_R (V);

t₁ is the time from start of discharge to reach V₁ (s);

t₂ is the time from start of discharge to reach V₂ (s);

ESR_{DC} is the DC-ESR (Ω);

ΔV is the voltage drop during first 10ms of discharge (V).

Typical ESR_{DC}, Initial, 5 sec tested per Maxwell Application Note, "Test Procedures for Capacitance, ESR, Leakage Current and Self-Discharge Characterizations of Ultracapacitors" available at www.maxwell.com.

4. Maximum Leakage Current

- Current measured after 72 hrs at rated voltage and 25°C. Initial leakage current can be higher.
- If applicable, module leakage current is the sum of cell and balancing circuit leakage currents.

5. Maximum Peak Current

- Current needed to discharge cell/module from rated voltage to half-rated voltage in 1 second.

$$I = \frac{\frac{1}{2}V_R}{\Delta t / C + ESR_{DC}}$$

where Δt is the discharge time (sec); Δt = 1 sec in this case.

- The stated maximum peak current should not be used in normal operation and is only provided as a reference value.

6. Energy & Power (Based on IEC 62391-2)

- Maximum Stored Energy, E_{max} (Wh) = $\frac{\frac{1}{2}CV_R^2}{3,600}$

- Gravimetric Specific Energy (Wh/kg) = $\frac{E_{max}}{mass}$

- Usable Specific Power (W/kg) = $\frac{0.12V_R^2}{ESR_{DC} \times mass}$

- Impedance Match Specific Power (W/kg) = $\frac{0.25V_R^2}{ESR_{DC} \times mass}$

- Presented Power and Energy values are calculated based on Rated Capacitance & Rated (Max.) ESR_{DC}, Initial values.

7. Cycle Life Test Profile

Cycle life varies depending upon application-specific characteristics. Actual results will vary.

8. Temperature Rise at Constant Current

- ΔT = I_{RMS}² x ESR_{DC} x R_{th}

where ΔT: Temperature rise over ambient (°C)

I_{RMS}: Maximum continuous or RMS current (A)

R_{th}: Thermal resistance, cell to ambient (°C/W)

ESR_{DC}: Rated (Max.) ESR_{DC} (Ω).

(Note: Design should consider EOL ESR_{DC} for application temperature rise evaluation.)

9. Per United Nations material classification UN3499, all Maxwell ultracapacitors have less than 10 Wh capacity to meet the requirements of Special Provisions 361. Both individual ultracapacitors and modules composed of those ultracapacitors shipped by Maxwell can be transported without being treated as dangerous goods (hazardous materials) under transportation regulations.

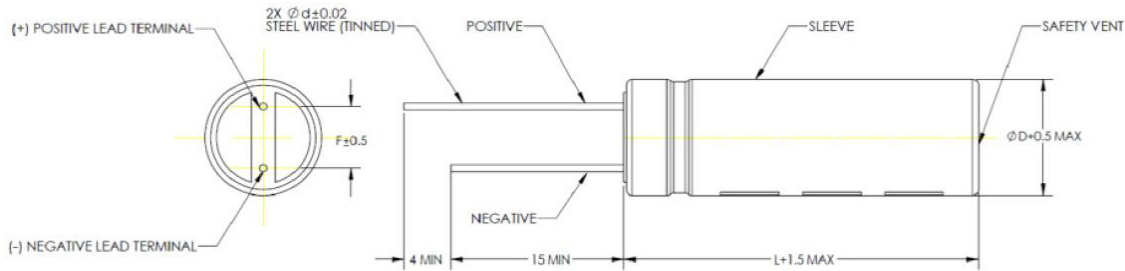
10. BOL: Beginning of Life, rated initial product performance

EOL: End of Life criteria.

- Capacitance: 80% of min. BOL rating

- ESR_{DC}: 2x max. BOL rating

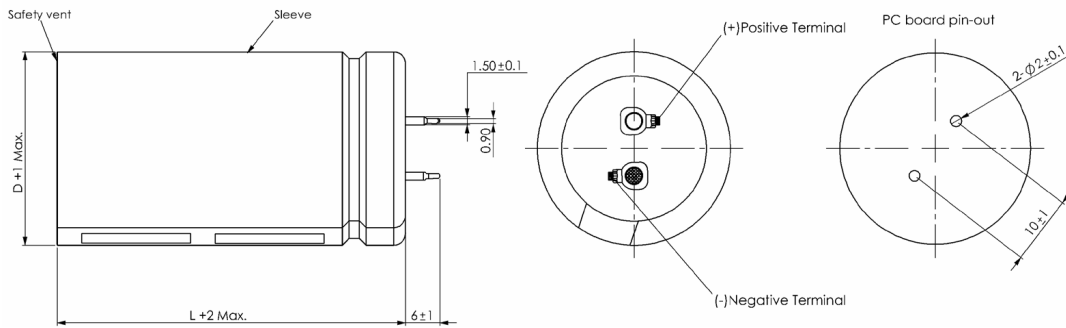
BCAP0001,100 (T01)



Product dimensions are for reference only unless otherwise identified. Product dimensions and specifications may change without notice. Please contact Maxwell Technologies directly for any technical specifications critical to application.

| Part Description | Dimensions (mm) | | | | | | | Package Quantity |
|-------------------|-----------------|----|-----|-----|---|---|---|------------------|
| | L | D | d | F | R | a | b | |
| BCAP0001 P270 T01 | 12 | 8 | 0.6 | 3.8 | - | - | - | 4,000 |
| BCAP0100 P270 T01 | 45 | 22 | 1 | 9.5 | - | - | - | 400 |

BCAP0150 (T07)



| Part Description | Dimensions (mm) | | | | Package Quantity |
|-------------------|-----------------|----|---|---|------------------|
| | L | D | d | F | |
| BCAP0150 P270 T07 | 50 | 25 | - | - | 400 |

Product dimensions are for reference only unless otherwise identified. Product dimensions and specifications may change without notice. Please contact Maxwell Technologies directly for any technical specifications critical to application. Products and related processes may be covered by one or more U.S. or international patents and pending applications. Please see www.maxwell.com/patents for more information.

Maxwell Technologies, Inc.
Global Headquarters
 3888 Calle Fortunada
 San Diego, CA 92123
 USA
 Tel: +1 (858) 503-3300
 Fax: +1 (858) 503-3301

Maxwell Technologies SA
 Route de Montena 65
 CH-1728 Rossens
 Switzerland
 Tel: +41 (0)26 411 85 00
 Fax: +41 (0)26 411 85 05

Maxwell Technologies, GmbH
 Leopoldstrasse 244
 80807 Munich
 Germany
 Tel: +49 (0)89 4161403 0
 Fax: +49 (0)89 4161403 99

Maxwell Technologies Shanghai Trading Co. Ltd.
 Room 1005, 1006, and 1007
 No. 1898, Gonghexin Road,
 Jin An District, Shanghai
 2000072, P.R. China
 Tel: +86 21 3852 4000
 Fax: +82 21 3852 4099

Nesscap Co., Ltd.
 17, Dongtangiheung-ro
 681 Beon-gil, Giheung-gu,
 Yongin-si, Gyeonggi-do
 17102
 Republic of Korea
 Tel: +82 31 289 0721
 Fax: +82 31 286 6767

MAXWELL TECHNOLOGIES, MAXWELL, MAXWELL CERTIFIED INTEGRATOR, ENABLING ENERGY'S FUTURE, DURABLU, NESSCAP, XP, BOOSTCAP, D CELL, CONDIS and their respective designs and/or logos are either trademarks or registered trademarks of Maxwell Technologies, Inc., and/or its affiliates, and may not be copied, imitated or used, in whole or in part, without the prior written permission Maxwell Technologies, Inc. All contents copyright © 2018 Maxwell Technologies, Inc. All rights reserved. No portion of these materials may be reproduced in any form, or by any means, without prior written permission from Maxwell Technologies, Inc.



Компания «ЭлектроПласт» предлагает заключение долгосрочных отношений при поставках импортных электронных компонентов на взаимовыгодных условиях!

Наши преимущества:

- Оперативные поставки широкого спектра электронных компонентов отечественного и импортного производства напрямую от производителей и с крупнейших мировых складов;
- Поставка более 17-ти миллионов наименований электронных компонентов;
- Поставка сложных, дефицитных, либо снятых с производства позиций;
- Оперативные сроки поставки под заказ (от 5 рабочих дней);
- Экспресс доставка в любую точку России;
- Техническая поддержка проекта, помощь в подборе аналогов, поставка прототипов;
- Система менеджмента качества сертифицирована по Международному стандарту ISO 9001;
- Лицензия ФСБ на осуществление работ с использованием сведений, составляющих государственную тайну;
- Поставка специализированных компонентов (Xilinx, Altera, Analog Devices, Intersil, Interpoint, Microsemi, Aeroflex, Peregrine, Syfer, Eurofarad, Texas Instrument, Miteq, Cobham, E2V, MA-COM, Hittite, Mini-Circuits, General Dynamics и др.);

Помимо этого, одним из направлений компании «ЭлектроПласт» является направление «Источники питания». Мы предлагаем Вам помощь Конструкторского отдела:

- Подбор оптимального решения, техническое обоснование при выборе компонента;
- Подбор аналогов;
- Консультации по применению компонента;
- Поставка образцов и прототипов;
- Техническая поддержка проекта;
- Защита от снятия компонента с производства.



Как с нами связаться

Телефон: 8 (812) 309 58 32 (многоканальный)

Факс: 8 (812) 320-02-42

Электронная почта: org@eplast1.ru

Адрес: 198099, г. Санкт-Петербург, ул. Калинина, дом 2, корпус 4, литера А.