

# Digilent PmodDA2™ Digital To Analog Module Converter Board Reference Manual



www.digilentinc.com

Revision: September 25, 2006

215 E Main Suite D | Pullman, WA 99163  
(509) 334 6306 Voice and Fax

## Overview

The Digilent PmodDA2 Digital to Analog Module Converter, converts signals from digital values to analog voltages on two channels simultaneously with twelve bits of resolution. The PmodDA2 uses a 6-pin header connector and, at less than one square inch, is small enough to be located where the reconstructed signal is required.

Features include:

- two National Semiconductor DAC121S101, 12-bit D/A converters
- a 6-pin header and 6-pin connector
- two simultaneous D/A conversion channels
- very low power consumption
- small form factor (0.80" x 0.80").

## Functional Description

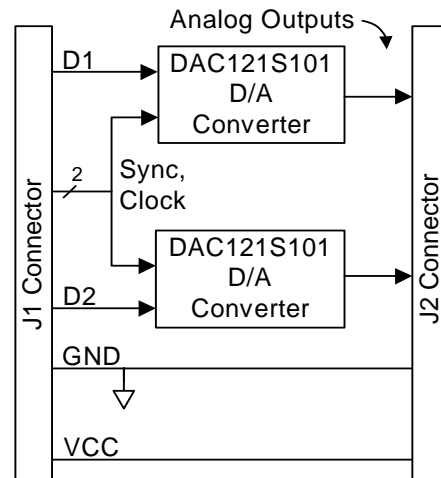
The PmodDA2 can produce an analog output ranging from 0-3.3 volts when operated with a 3.3V power supply. It has two simultaneous D/A conversion channels, each with a 12-bit converter that can process separate digital signals.

The PmodDA2 is equipped with two DAC121S101 digital to analog converters. Sending commands via the SPI/MICROWIRE™ serial bus to the D/A converters produces outputs. The two converters are connected in parallel so that commands are sent to both converters simultaneously.

The PmodDA2 is designed to work with either Digilent programmable logic system boards or embedded control system boards. Most Digilent system boards, such as the Nexys, Basys, or Cerebot, have 6-pin



**Figure 1**  
**Digilent PmodDA2**



**Figure 2**  
**Block Diagram**

connectors that allow the PmodDA2 to plug directly into the system board or to connect via a Digilent six-wire cable

Some older Digilent boards may need a Digilent Module Interface Board (MIB) and a 6-pin cable to connect to the PmodDA2. The MIB plugs into the system board and the cable connects the MIB to the PmodDA2.

See Table 1 for a description of the signals on the interface connectors J1 and J2. For additional information, refer to the PmodDA2 schematic available on the Digilent web site at [www.digilentinc.com](http://www.digilentinc.com).

The PmodDA2 is usually powered from the Digilent system board connected to it. The power and ground connections are on pins five and six of the digital interface connector J1. Alternatively, the PmodDA2 can be powered from an external power supply provided through pins five and six of the analog interface connector J2. In this case the power select jumper on the system board should be set to disconnect power from the system board to J1. Damage may result if two power supplies are connected at the same time.

The Digilent convention is to provide 3.3V to power Pmod modules. The PmodDA2 can be operated at any power supply voltage between 2.7V and 5.5V, however caution should be exercised if using any voltage greater than 3.3V, as damage to the Digilent system board could result. For more information refer to reference manuals or schematics for the system board available at [www.digilentinc.com](http://www.digilentinc.com).

For detailed information about the National Semiconductor data sheet refer to the National Semiconductor web site at [www.national.com](http://www.national.com).

**Table 1: Interface Connector Signal Descriptions**

<b>Digital Interface – J1</b>	
1	SYNC (common)
2	DINA (converter IC1)
3	DINB (converter IC2)
4	SCLK (common)
5	GND
6	VCC
<b>Analog Interface – J2</b>	
1	VOUTA (converter IC1)
2	N/C
3	VOUTB (converter IC2)
4	N/C
5	GND
6	VCC



Компания «ЭлектроПласт» предлагает заключение долгосрочных отношений при поставках импортных электронных компонентов на взаимовыгодных условиях!

Наши преимущества:

- Оперативные поставки широкого спектра электронных компонентов отечественного и импортного производства напрямую от производителей и с крупнейших мировых складов;
- Поставка более 17-ти миллионов наименований электронных компонентов;
- Поставка сложных, дефицитных, либо снятых с производства позиций;
- Оперативные сроки поставки под заказ (от 5 рабочих дней);
- Экспресс доставка в любую точку России;
- Техническая поддержка проекта, помощь в подборе аналогов, поставка прототипов;
- Система менеджмента качества сертифицирована по Международному стандарту ISO 9001;
- Лицензия ФСБ на осуществление работ с использованием сведений, составляющих государственную тайну;
- Поставка специализированных компонентов (Xilinx, Altera, Analog Devices, Intersil, Interpoint, Microsemi, Aeroflex, Peregrine, Syfer, Eurofarad, Texas Instrument, Miteq, Cobham, E2V, MA-COM, Hittite, Mini-Circuits, General Dynamics и др.);

Помимо этого, одним из направлений компании «ЭлектроПласт» является направление «Источники питания». Мы предлагаем Вам помощь Конструкторского отдела:

- Подбор оптимального решения, техническое обоснование при выборе компонента;
- Подбор аналогов;
- Консультации по применению компонента;
- Поставка образцов и прототипов;
- Техническая поддержка проекта;
- Защита от снятия компонента с производства.



#### Как с нами связаться

**Телефон:** 8 (812) 309 58 32 (многоканальный)

**Факс:** 8 (812) 320-02-42

**Электронная почта:** [org@eplast1.ru](mailto:org@eplast1.ru)

**Адрес:** 198099, г. Санкт-Петербург, ул. Калинина, дом 2, корпус 4, литера А.