

REFERENCE SPECIFICATIONS

-NFC 93425 (in compliance with HE 507)

PHYSICAL CHARACTERISTICS

-INSULATOR MATERIAL: THERMOPLASTIC UL94V0

-CONTACT MATERIAL: PHOSPHOR BRONZE(SIGNAL CONTACT)
GOLD OVER NICKEL

-ACCESSORIES: STAINLESS STEEL or BRASS
Cadmium plated, yellow passivation

-SHELLS: STEEL
Cadmium plated, yellow passivation

ELECTRICAL CHARACTERISTICS

-NOMINAL CURRENT: 7.5A (SIGNAL CONTACT)

-CONTACT RESISTANCE: <=7.3 m Ohms SIGNAL

-CONTACT/CONTACT : >=1000 V

-CONTACT/GROUND : >=1200 V

-INSULATION RESISTANCE: >=5000 MOhms

- CLIMATIC CATEGORY: 55/125/21
TEMPERATURE RANGE -55°C TO +125°C
DAMP HEAT STEADY STATE 56 DAYS
SALT SPRAY 48 HOURS

DBML13W3S300N

Series ←

Shell size: **E A B C D** ←
see sheet 3

M :characteristic
for the DM series

Front accessory definition
see sheet 2

Blank :without accessory

L :threaded insert M3

O :threaded insert UNC 4-40

V :female screw UNC 4-40

F :floating mounting

S :spacer

Layout of contacts (see sheet 3) ←

Contacts ←

S :Socket

Termination type ←

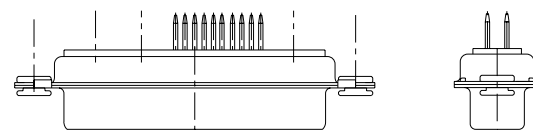
3 Straight version

Plating ←

00 straight solder 500 matings/unmatings

43 straight solder 500 matings/unmatings for harsh environment

N :obligatory indication for HE 507 series ←

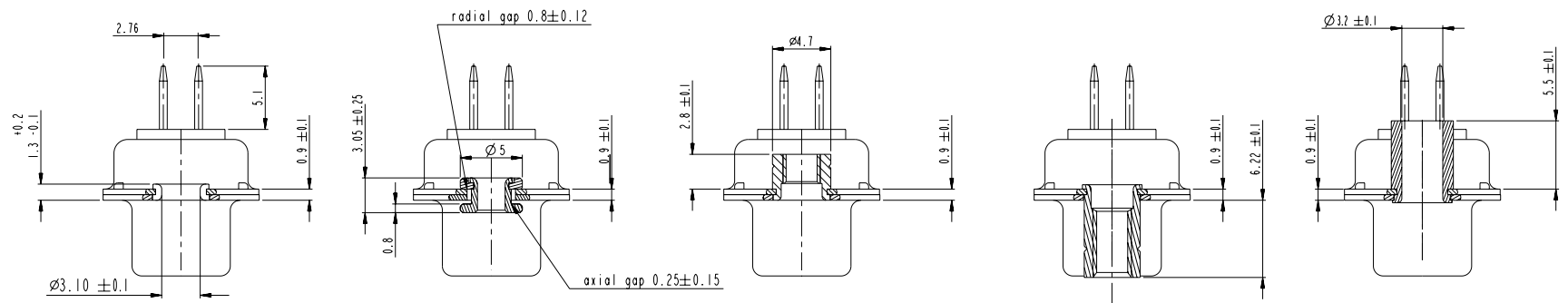


I3W3 FOR EXAMPLE

| | | | | | | | | | | | | | | | | |
|--------------------|-----------|-----|------------|---------------------------------------|------------------|------------|------------|----------------|---------------|--------------|--------|-----------|----|-------|-----|--|
| www.fciconnect.com | | | | surface | tolerance std | projection | mm | | | | | | | | | |
| | | | | ISO 1302 | ISO 406 ISO 1101 | ⊕ | ← | | | | | | | | | |
| | | | | TOLERANCES UNLESS OTHERWISE SPECIFIED | | | | | | | | | | | | |
| rev | acc no | dr | date | Dr | M | PESSON | 2006/11/15 | ANGULAR | LINEAR | 0.X | ±0.3 | size | A2 | Scale | 2:1 | |
| A | LS06-0174 | MPE | 2006/11/15 | Eng | P | LEGARE | 2006/11/15 | 0.xx | ±0.1 | | | | | | | |
| B | LS07-0273 | MPE | 2007/10/30 | Chr | P | LEGARE | 2006/11/15 | 0° ±2' | 0.xxx | ±0.05 | ECN | LS07-0273 | | | | |
| | | | | Appr | P | LEGARE | 2006/11/15 | Product family | | - Spec ref | | | | | | |
| | | | | FCI SUB FEMALE DMW | | | | deg no | C01-8637-1751 | | Rev. B | | | | | |
| | | | | mixed power straight solder | | | | CUSTOMER | | sheet 1 of 7 | | | | | | |
| | | | | catalog no | | | | | | | | | | | | |



Copyright FCI.



FRONT ACCESSORY **Blank** without **F** floating mounting **L** insert M3 **O** insert UNC 4.40 **V** femelle screw UNC 4.40 **S** Spacer

shell size LAYOUTS

| PART NUMBER | FRONT ACCESSORY |
|--------------|-----------------------|
| D*MxWxS300N | without |
| D*MFxWxS300N | floating mounting |
| D*MLxWxS300N | insert M3 |
| D*MOxWxS300N | insert UNC 4.40 |
| D*MVxWxS300N | female screw UNC 4.40 |
| D*MSxWxS300N | Spacer |
| | |
| D*MxWxS343N | without |
| D*MFxWxS343N | floating mounting |
| D*MLxWxS343N | insert M3 |
| D*MOxWxS343N | insert UNC 4.40 |
| D*MVxWxS343N | female screw UNC 4.40 |
| D*MSxWxS343N | Spacer |

| | |
|---|-------|
| # | xWx |
| E | 5W1 |
| A | 11W1 |
| A | 7W2 |
| B | 21W1 |
| B | 17W2 |
| B | 13W3 |
| B | 9W4 |
| C | 25W3 |
| C | 21WA4 |
| C | 27W2 |
| D | 47W1 |
| D | 24W7 |
| D | 36W4 |

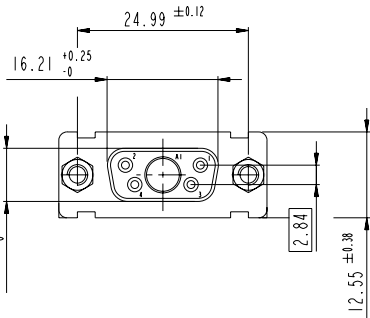
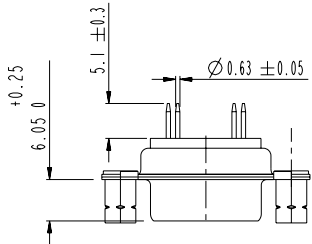
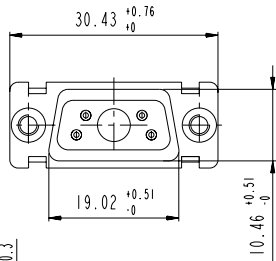
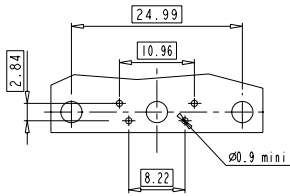
Copyright FCJ

| | | | | |
|--------------------|----------|---------------------------------------|-----------------------------------|-----------------------|
| www.fciconnect.com | | surface ISO 1302 | tolerance std ISO 406 ISO 1101 | projection mm |
| | | TOLERANCES UNLESS OTHERWISE SPECIFIED | | |
| Dr | M PESSON | 2006/11/15 | ANGULAR | 0.X ±0.3 |
| Eng | P LEGARE | 2006/11/15 | LINEAR | 0.XX ±0.1 |
| Chr | P LEGARE | 2006/11/15 | 0° ±2° | 0.XXX ±0.05 |
| Appr | P LEGARE | 2006/11/15 | Product family | - Spec ref |
| FCJ | | SUB FEMALE DMW | | Rev. B |
| | | mixed power straight solder | | ang no C01-8637-1751 |
| | | catalog no | | CUSTOMER sheet 2 of 7 |

SCALE: 4

5W1

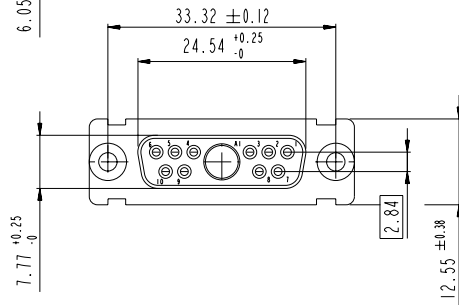
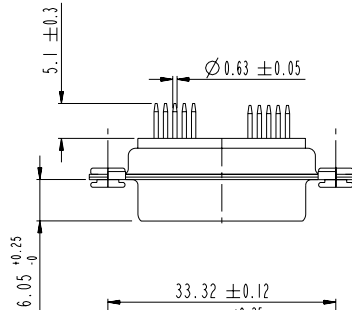
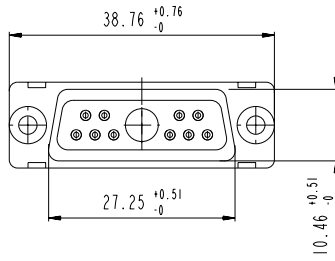
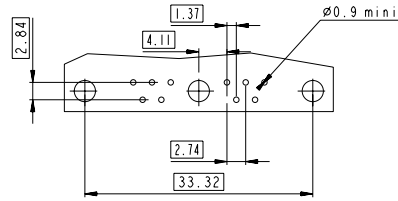
LAYOUT AND CONNECTOR DIMENSIONS



Floating signal contacts

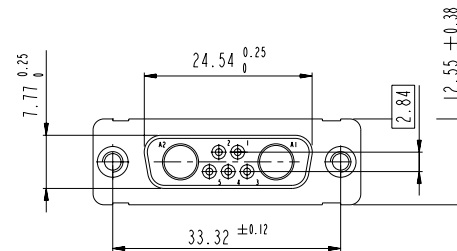
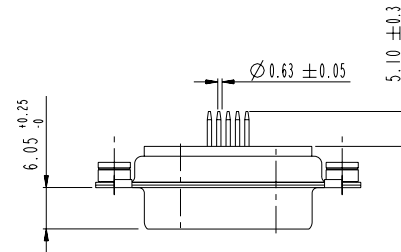
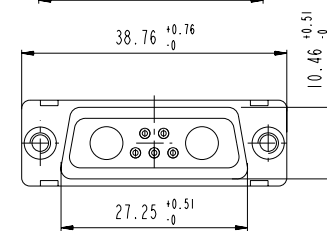
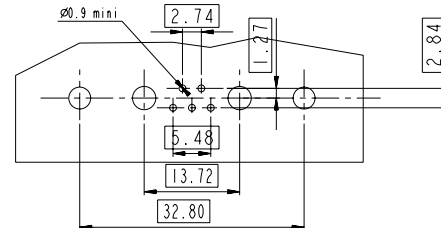
11W1

LAYOUT AND CONNECTOR DIMENSIONS

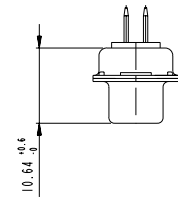


7W2

LAYOUT AND CONNECTOR DIMENSIONS

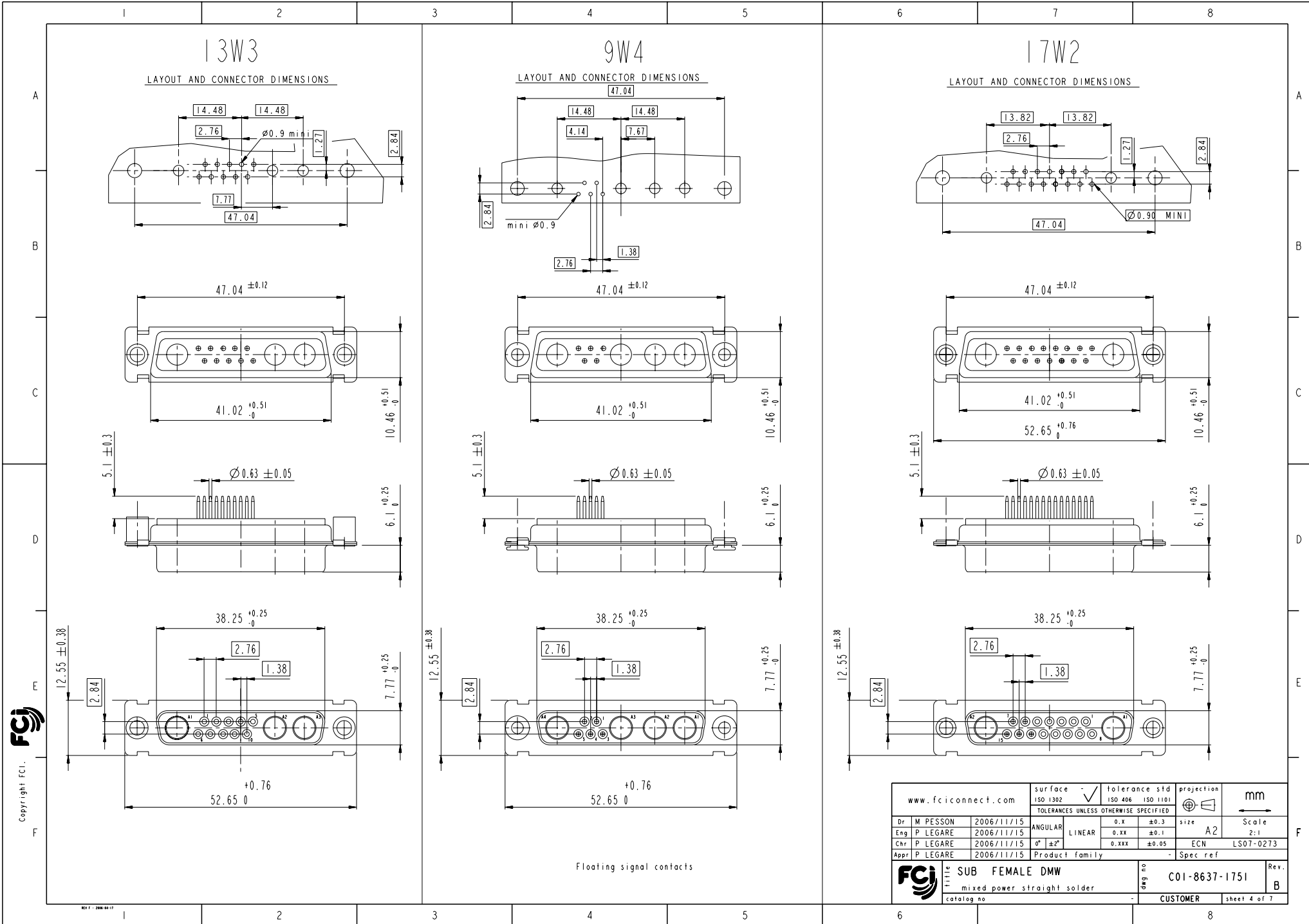


SIDE VIEW FOR LAYOUTS: E A B C



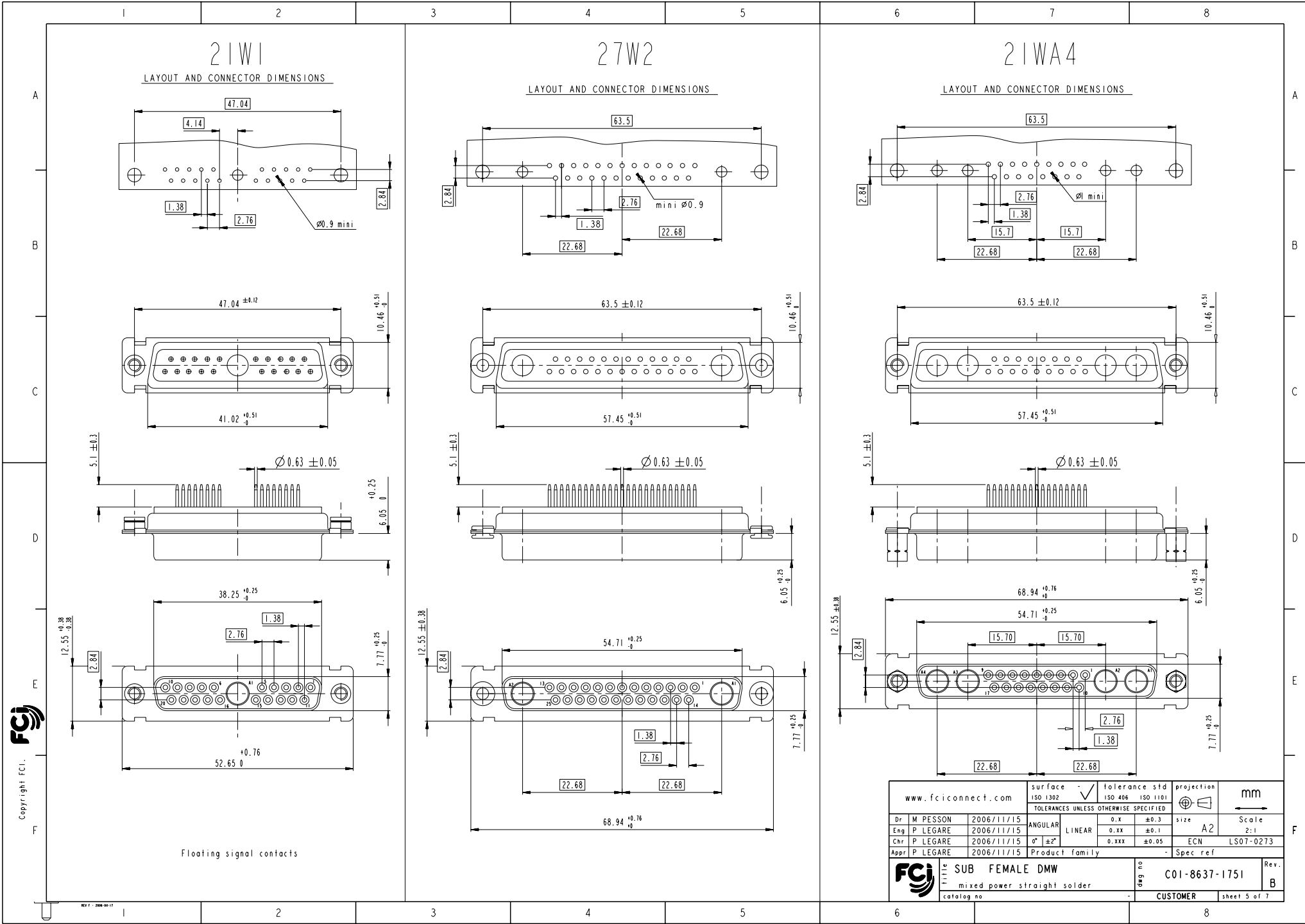
Copyright FCI.

| | | | | |
|--|------------|--|-----------------------------------|-------------------|
| www.fciconnect.com | | surface ISO 1302 | tolerance std ISO 406 ISO 1101 | projection mm |
| | | TOLERANCES UNLESS OTHERWISE SPECIFIED | | |
| Dr M PESSON | 2006/11/15 | ANGULAR | 0.X ±0.3 | size A2 Scale 2:1 |
| Eng P LEGARE | 2006/11/15 | LINEAR | 0.XX ±0.1 | ECN LS07-0273 |
| Chr P LEGARE | 2006/11/15 | 0° ±2° | 0.XXX ±0.05 | Spec ref |
| Appr P LEGARE | 2006/11/15 | Product family | | |
| TITLE SUB FEMALE DMW mixed power straight solder catalog no | | ang no C01-8637-1751 Rev. B | CUSTOMER sheet 3 of 7 | |



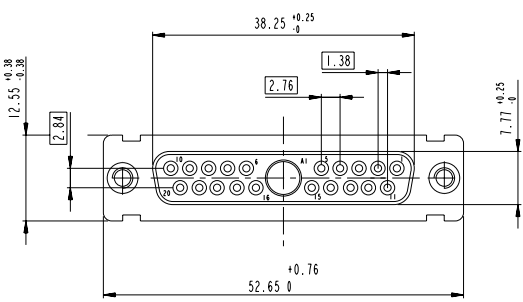
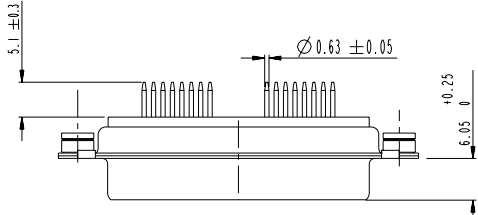
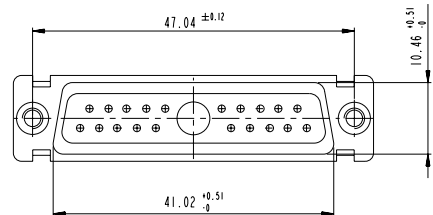
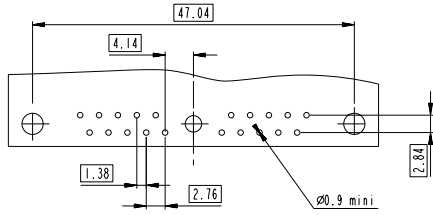
Copyright FCi

| | | | | | | | | |
|--------------------|----------|---------------------------------------|----------------|---------------|---------------|----------|--------------|-----------|
| www.fciconnect.com | | surface - | ISO 1302 | tolerance std | ISO 406 | ISO 1101 | projection | mm |
| | | TOLERANCES UNLESS OTHERWISE SPECIFIED | | | | | | |
| Dr | M PESSON | 2006/11/15 | ANGULAR | 0.X | ±0.3 | | size | Scale |
| Eng | P LEGARE | 2006/11/15 | LINEAR | 0.XX | ±0.1 | | A2 | 2:1 |
| Chr | P LEGARE | 2006/11/15 | 0° ±2° | 0.XXX | ±0.05 | | ECN | LS07-0273 |
| Appr | P LEGARE | 2006/11/15 | Product family | | | | Spec ref | |
| | | SUB FEMALE DMW | | ang no | C01-8637-1751 | | Rev. | B |
| | | mixed power straight solder | | catalog no | CUSTOMER | | sheet 4 of 7 | |



21W1

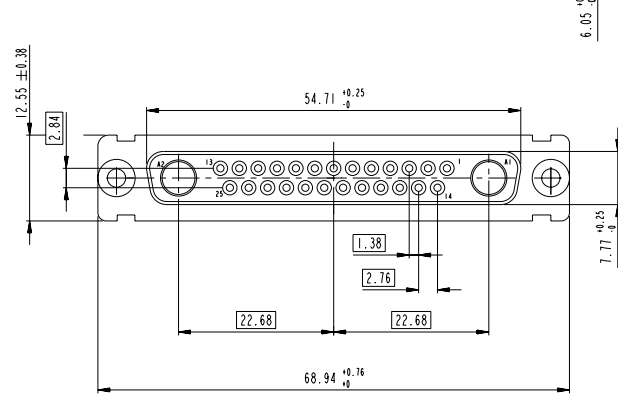
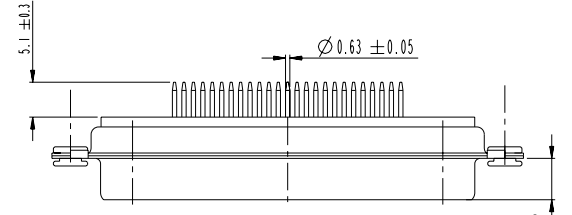
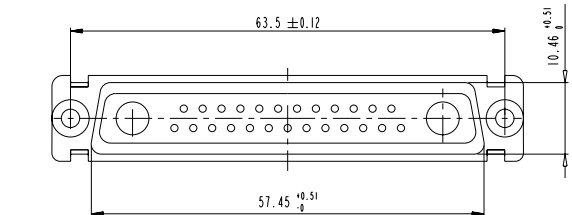
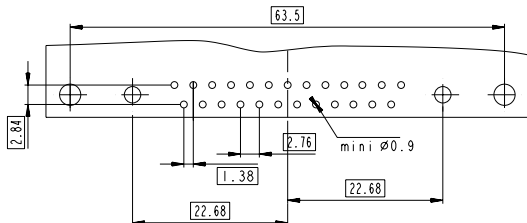
LAYOUT AND CONNECTOR DIMENSIONS



Floating signal contacts

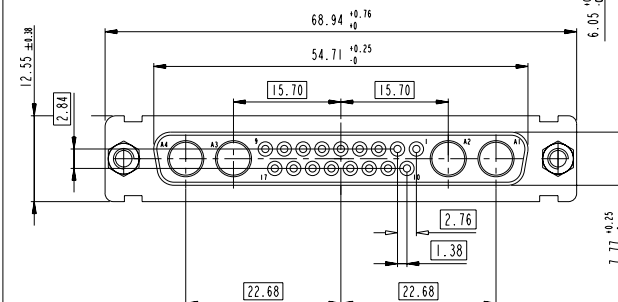
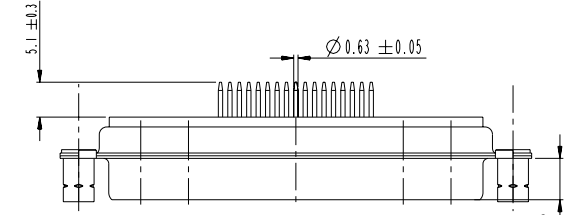
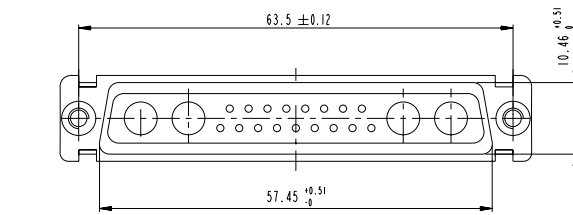
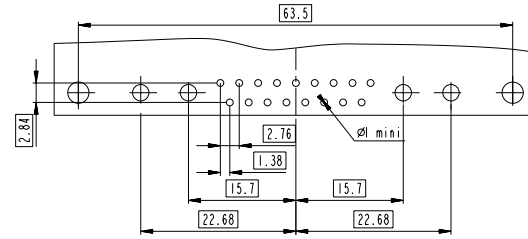
27W2

LAYOUT AND CONNECTOR DIMENSIONS



21WA4

LAYOUT AND CONNECTOR DIMENSIONS

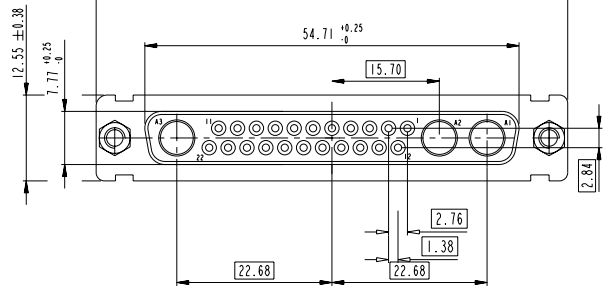
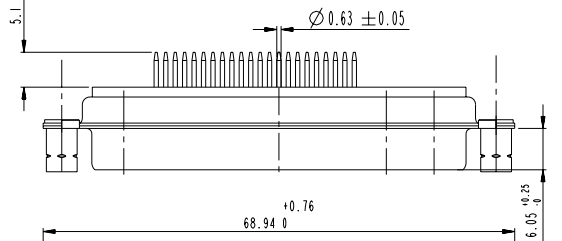
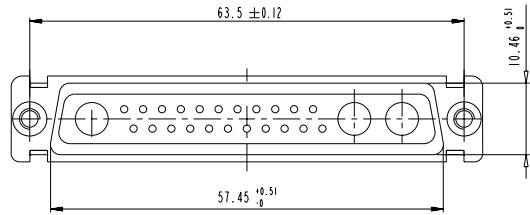
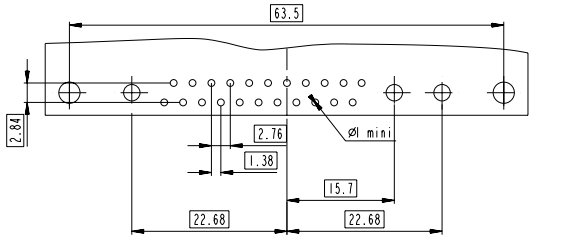


| | | | | | | | | |
|--|----------|---------------------------------------|----------------|--------------------------|---------|----------|------------|-----------|
| www.fciconnect.com | | surface | ISO 1302 | tolerance std | ISO 406 | ISO 1101 | projection | mm |
| | | TOLERANCES UNLESS OTHERWISE SPECIFIED | | | | | size | Scale |
| Dr | M PESSON | 2006/11/15 | ANGULAR | LINEAR | 0.X | ±0.3 | A2 | 2:1 |
| Eng | P LEGARE | 2006/11/15 | 0° | ±2° | 0.XX | ±0.1 | ECN | LS07-0273 |
| Chr | P LEGARE | 2006/11/15 | Product family | | 0.XXX | ±0.05 | Spec ref | |
| Appr | P LEGARE | 2006/11/15 | | | | | | |
| SUB FEMALE DMW mixed power straight solder catalog no | | title C01-8637-1751 rev no B | | customer sheet 5 of 7 | | | | |

Copyright FCI.

25W3

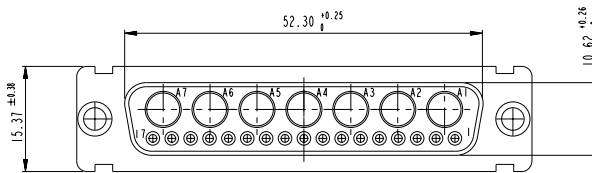
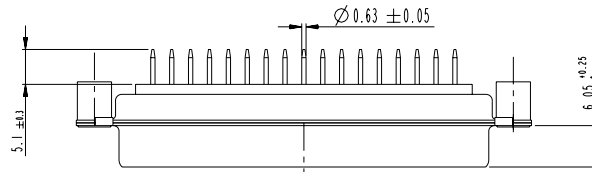
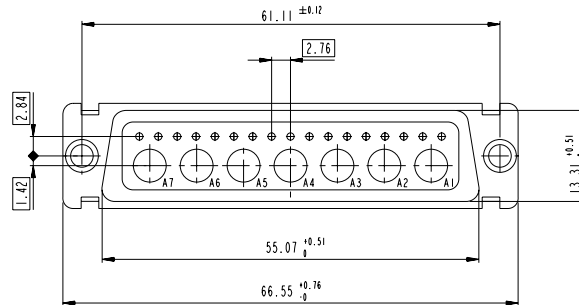
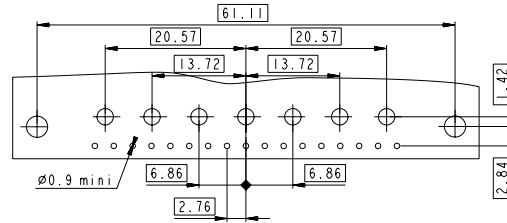
LAYOUT AND CONNECTOR DIMENSIONS



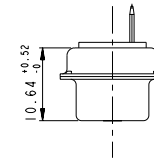
Floating signal contacts

24W7

LAYOUT AND CONNECTOR DIMENSIONS



SIDE VIEW FOR LAYOUTS: D

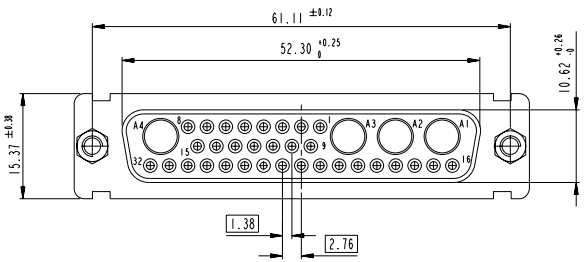
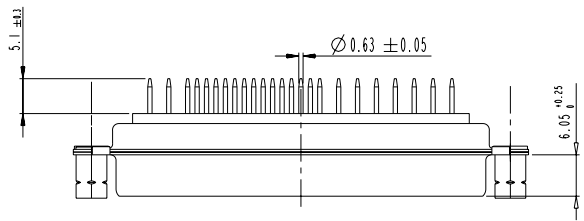
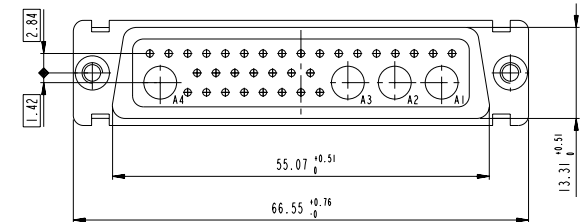
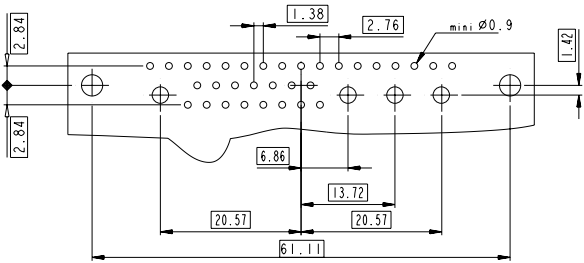


Copyright FCI.

| | | | | | |
|---|----------|--------------------------------|-----------------------------------|---|-------------------|
| www.fciconnect.com | | surface ISO 1302 | tolerance std ISO 406 ISO 1101 | projection TOLERANCES UNLESS OTHERWISE SPECIFIED | mm |
| Dr | M PESSON | 2006/11/15 | ANGULAR | 0.X ±0.3 | size A2 Scale 2:1 |
| Eng | P LEGARE | 2006/11/15 | LINEAR | 0.XX ±0.1 | ECN LS07-0273 |
| Chr | P LEGARE | 2006/11/15 | 0° ±2° | 0.XXX ±0.05 | Spec ref |
| Appr | P LEGARE | 2006/11/15 | Product family | | |
| TITLE SUB FEMALE DMW mixed power straight solder catalog no | | ang no C01-8637-1751 | Rev. B | CUSTOMER sheet 6 of 7 | |

36W4

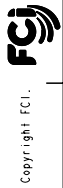
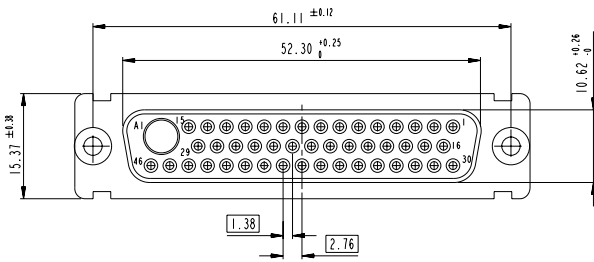
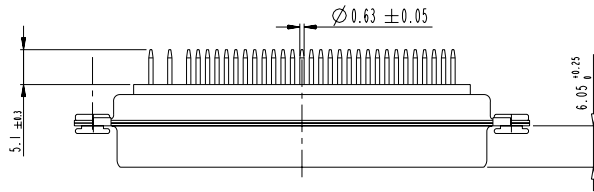
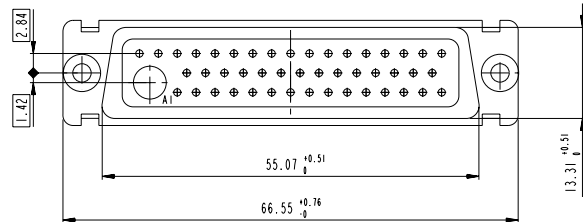
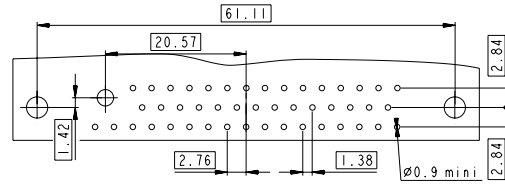
LAYOUT AND CONNECTOR DIMENSIONS



Floating signal contacts

47W1

LAYOUT AND CONNECTOR DIMENSIONS



Copyright FCI.

| | | | | | |
|---|----------|---------------------------------------|-----------------------------------|------------------------|-------------------|
| www.fciconnect.com | | surface ISO 1302 | tolerance std ISO 406 ISO 1101 | projection ISO 1101 | mm |
| | | TOLERANCES UNLESS OTHERWISE SPECIFIED | | | |
| Dr | M PESSON | 2006/11/15 | ANGULAR | 0.X ±0.3 | size A2 Scale 2:1 |
| Eng | P LEGARE | 2006/11/15 | LINEAR | 0.XX ±0.1 | |
| Chr | P LEGARE | 2006/11/15 | 0° ±2° | 0.XXX ±0.05 | ECN LS07-0273 |
| Appr | P LEGARE | 2006/11/15 | Product family | | Spec ref |
| SUB FEMALE DMW mixed power straight solder catalog no | | title C01-8637-1751 rev. B | CUSTOMER sheet 7 of 7 | | |



Компания «ЭлектроПласт» предлагает заключение долгосрочных отношений при поставках импортных электронных компонентов на взаимовыгодных условиях!

Наши преимущества:

- Оперативные поставки широкого спектра электронных компонентов отечественного и импортного производства напрямую от производителей и с крупнейших мировых складов;
- Поставка более 17-ти миллионов наименований электронных компонентов;
- Поставка сложных, дефицитных, либо снятых с производства позиций;
- Оперативные сроки поставки под заказ (от 5 рабочих дней);
- Экспресс доставка в любую точку России;
- Техническая поддержка проекта, помощь в подборе аналогов, поставка прототипов;
- Система менеджмента качества сертифицирована по Международному стандарту ISO 9001;
- Лицензия ФСБ на осуществление работ с использованием сведений, составляющих государственную тайну;
- Поставка специализированных компонентов (Xilinx, Altera, Analog Devices, Intersil, Interpoint, Microsemi, Aeroflex, Peregrine, Syfer, Eurofarad, Texas Instrument, Miteq, Cobham, E2V, MA-COM, Hittite, Mini-Circuits, General Dynamics и др.);

Помимо этого, одним из направлений компании «ЭлектроПласт» является направление «Источники питания». Мы предлагаем Вам помощь Конструкторского отдела:

- Подбор оптимального решения, техническое обоснование при выборе компонента;
- Подбор аналогов;
- Консультации по применению компонента;
- Поставка образцов и прототипов;
- Техническая поддержка проекта;
- Защита от снятия компонента с производства.



Как с нами связаться

Телефон: 8 (812) 309 58 32 (многоканальный)

Факс: 8 (812) 320-02-42

Электронная почта: org@eplast1.ru

Адрес: 198099, г. Санкт-Петербург, ул. Калинина, дом 2, корпус 4, литера А.