

MINIATURE MICROSWITCHES - SEALED, COMPACT

V3DS - 8329

- › C-spring snap-action mechanism with wiping contacts
- › IP67 protection
- › Broad range of operating forces from 1 N to 4.5 N
- › Quick-connect terminals or wire lead output
- › Ratings from 1 mA 4 V_{DC} to 10 A 250 V_~
- › Choice of actuators on 3 possible fixing positions (pre-assembled or retrofittable)
- › ENEC, cURus and CCC approved



Main specifications

		Standard 83293	High current 83291	High current High force 83290	Low force 83294	Dual-current 83298	Dual-current Low force 83299
Function	Connections						
I (changeover)	W3 (QC 6.3 x 0.8)	83293001	83291001	83290001	83294001	83298001	83299001
I (changeover)	F0 (wires)	83293009	83291009	83290009	83294009	83298009	83299009
R (normally closed)	W3 (QC 6.3 x 0.8)	●	●	●	●	●	●
R (normally closed)	F0 (wires)	83293609	83291609	83290609	83294609	83298609	83299609
C (normally open)	W3 (QC 6.3 x 0.8)	●	●	●	●	●	●
C (normally open)	F0 (wires)	83293809	83291809	83290809	83294809	83298809	83299809
Electrical characteristics							
Rating nominal / 250 V AC (A)		5	10	10	3	3*	3*
Rating thermal / 250 V AC (A)		7.5	10	10	7.5	6	6
Rating UL / 125/250 VAC (A)		6(1)	10(2)	10(2)	6(1)	6(1) - 0.1(0.04)	6(1) - 0.1(0.04)
Mechanical characteristics							
Maximum operating force (N)		2	2.5	4.5	1	2	1
Min. Release force (N)		0.2	0.5	0.8	0.1	0.2	0.1
Max. Allowable overtravel force (N)		20	20	20	20	20	20
Rest position max. (mm)		16.2	16.2	16.2	16.2	16.2	16.2
Operating position (mm)		14.7 ±0.5	14.7 ±0.5	14.7 ±0.5	14.7 ±0.5	14.7 ±0.5	14.7 ±0.5
Maximum differential travel (mm)		0.5	0.5	0.5	0.5	0.5	0.5
Min. overtravel (mm)		1	1	1	1	1	1
Ambient operating temperature (°C)		-40 → +85	-40 → +85	-40 → +85	-40 → +85	-40 → +85	-40 → +85
Mechanical life for 2/3 OT (operations)		10 ⁶	10 ⁶	10 ⁶	10 ⁶	10 ⁶	10 ⁶
Contact gap (mm)		1	1	1	1	1	1
Weight, terminal versions (g)		9	9	9	9	9	9
Weight, wire versions (g)		39	39	39	39	39	39

Additional specifications

- Case: PBT GF (UL 94-V0 / GWFI 850 °C)
- Button: PA66 GF
- Membrane: silicone rubber
- Contacts: silver alloy, gold-plated silver alloy (dual-current)
- Terminals: brass
- Wire leads: tinned copper, XLPE insulated
- Levers: stainless steel

- Degree of protection: IP67 (mechanism and wire output)
- Recommended min actuating speed: 83290: 0.1 mm/s
83291: 0.3 mm/s
83293/83298: 1 mm/s
83294/83299: 3 mm/s

- Certification marks: ENEC CE

Product adaptations

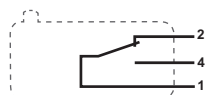
- › Special levers: special shapes and lengths, pinned actuators, ...
- › Special leads
- › Special connections: 4.8 x 0.5 and 4.8 x 0.8 quick-connect, ...
- › Cable output



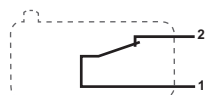
Principles

Single break snap-action switch

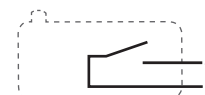
Changeover - SPDT (form C)



Normally closed - SPST-NC (form B)



Normally open - SPST-NO (form A)



Standard product

Product made to order

Contact us

Curves

Electrical life

83290 - 83291

- 250 V~ 10 A resistive 50 000 cycles

83293

- 250 V~ 5 A resistive 100 000 cycles

83294

- 250 V~ 3A resistive 100 000 cycles

83298 - 83299

- 5 V $\overline{\text{---}}$ 1 mA resistive 200 000 cycles

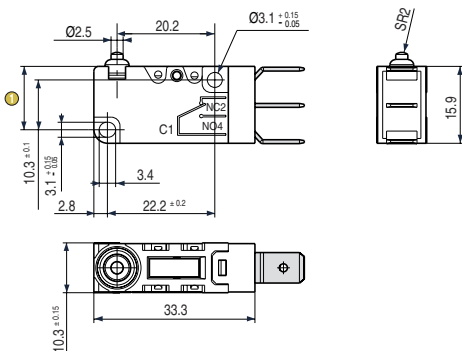
- 250 V~ 3A resistive 100 000 cycles

* Models 83298 and 83299 are designed to operate equally well on low-current (1 mA 4 V minimum recommended) or medium-current circuits (3 A maximum recommended) circuits. However, a given product should only be used to switch one type of circuit during its working life.

Dimensions

Product

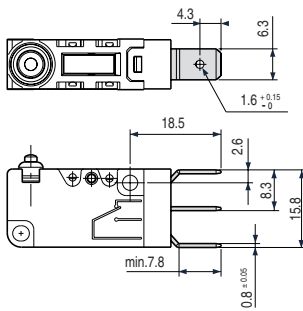
8329



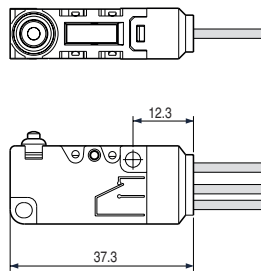
① Total travel position = 13.2 max

Connections

W3 quick-connect 6.3 x 0.8



F0 wire output



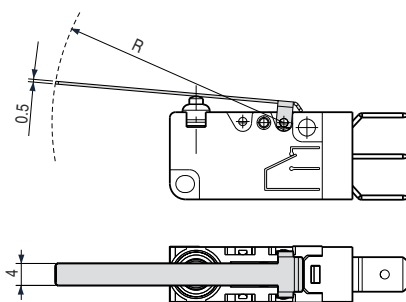
Wire characteristics

1: Black (common)
2: Red (NC)
4: Brown (NO)
Cross-section: 0.8 mm²
Standard length: 300 mm
Other lengths on request
(length in meters: e.g. 1.5)

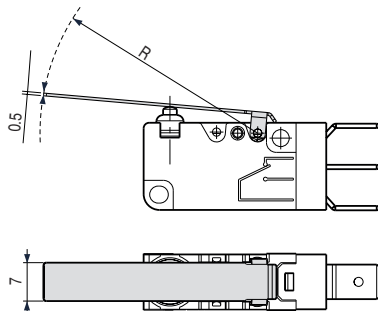
Other connections:
consult us

Actuators

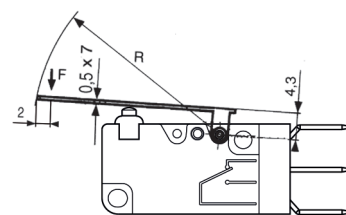
290A4 flat



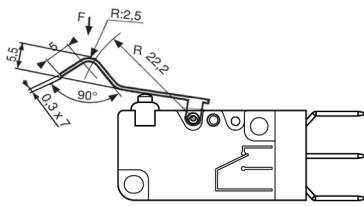
290A7 flat



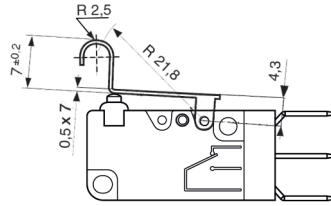
161A flat



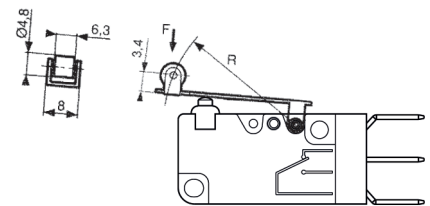
161F dummy roller



161G dummy roller

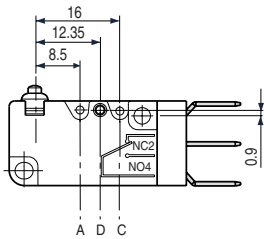


161E roller



Other shapes and dimensions: consult us

Actuator mounting positions



Positions A and C are standard
Position D is for factory mounted pinned actuators: consult us.

Actuators and mounting accessories

Part numbers for standard actuators

70771217

70771218

Actuators

Flat **290A4**
R42.3

Flat **290A7**
R39.5



	Fixing position			
	A	C	A	C
Coefficient for force *	4.5	2.5	4.5	2.5
Rest position - max	mm 21.5	19	22	18.7
Operating position	mm 14.7±2.5	15.2±1.5	14.8±2.5	15.2±1.5
Total travel position - max	mm 10.6	12.6	10.3	12.7
Differential travel - max	mm 2.5	1.5	2.5	1.5

Part numbers for standard actuators

70507524

70507529

70507528

79218651

Actuators

Flat **161A**
R25.4

Roller **161E**
R24.1

Dummy roller **161F**
R22.2

Dummy roller **161G**
R21.8



	Fixing position							
	A	C	A	C	A	C	A	C
Coefficient for force *	3	1.5	3	1.5	2.5	-	2.5	1.3
Rest position - max	mm 20	19	25	24.5	25	-	25.5	25
Operating position	mm 14.2±1.5	15±0.9	20±1.5	20.5±1	20.2±1.5	-	21.5±1.3	22.2±1
Total travel position - max	mm 12	13.8	18	19.2	18.5	-	20	21
Differential travel - max	mm 1.5	1	1.5	1	1.5	-	1.3	1

* To calculate force on actuator, divide the switch force by the coefficient given in the table.

Example: 83291 with lever 290A7 R39.5 Pos C (coeff. 2.5)

Max Operating force: 2.5 N / 2.5 = 1 N

Min Release force: 0.5 N / 2.5 = 0.2 N

Except where otherwise indicated, levers are supplied unmounted. For factory mounting, specify fixing position A or C.

Installation recommendations

See "Basic technical concepts"

How to order

Use 8 digit part numbers when they are defined

Other cases, precise: Type of microswitch - Function - Connection - Actuator* - Fixing position*

* if needed

Example: 83293 I W3 290A7 R39.5 C

Warning:

The product information contained in this catalogue is given purely as information and does not constitute a representation, warranty or any form of contractual commitment. Crouzet Automatismes SAS and its subsidiaries reserve the right to modify their products without notice. It is imperative that we should be consulted over any particular use or application of our products and it is the responsibility of the buyer to establish, particularly through all the appropriate tests, that the product is suitable for the use or application. Under no circumstances will our warranty apply, nor shall we be held responsible for any application (such as any modification, addition, deletion, use in conjunction with other electrical or electronic components, circuits or assemblies, or any other unsuitable material or substance) which has not been expressly agreed by us prior to the sale of our products.



Компания «ЭлектроПласт» предлагает заключение долгосрочных отношений при поставках импортных электронных компонентов на взаимовыгодных условиях!

Наши преимущества:

- Оперативные поставки широкого спектра электронных компонентов отечественного и импортного производства напрямую от производителей и с крупнейших мировых складов;
- Поставка более 17-ти миллионов наименований электронных компонентов;
- Поставка сложных, дефицитных, либо снятых с производства позиций;
- Оперативные сроки поставки под заказ (от 5 рабочих дней);
- Экспресс доставка в любую точку России;
- Техническая поддержка проекта, помощь в подборе аналогов, поставка прототипов;
- Система менеджмента качества сертифицирована по Международному стандарту ISO 9001;
- Лицензия ФСБ на осуществление работ с использованием сведений, составляющих государственную тайну;
- Поставка специализированных компонентов (Xilinx, Altera, Analog Devices, Intersil, Interpoint, Microsemi, Aeroflex, Peregrine, Syfer, Eurofarad, Texas Instrument, Miteq, Cobham, E2V, MA-COM, Hittite, Mini-Circuits, General Dynamics и др.);

Помимо этого, одним из направлений компании «ЭлектроПласт» является направление «Источники питания». Мы предлагаем Вам помощь Конструкторского отдела:

- Подбор оптимального решения, техническое обоснование при выборе компонента;
- Подбор аналогов;
- Консультации по применению компонента;
- Поставка образцов и прототипов;
- Техническая поддержка проекта;
- Защита от снятия компонента с производства.



Как с нами связаться

Телефон: 8 (812) 309 58 32 (многоканальный)

Факс: 8 (812) 320-02-42

Электронная почта: org@eplast1.ru

Адрес: 198099, г. Санкт-Петербург, ул. Калинина, дом 2, корпус 4, литера А.