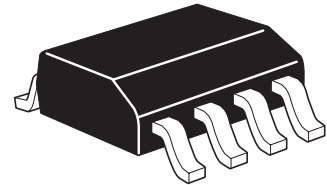

ZLNB1001

DBS tone and polarity multiplex controller

Description

The ZLNB1001 multiplex controller is one of a wide range of satellite receiver LNB and IF distribution support circuits available from Zetex. It supports a single IF path providing logic outputs to select one of four IF switch input channels, which typically using PIN diodes. It is intended for use in multi-switch applications for selection and distribution of universal LNB IF output signals, replacing many discrete components including the voltage regulator to save both manufacturing cost and PCB size whilst improving reliability.



The highly accurate control input of the ZLNB1001 has both voltage and tone control for the four required states. The voltage threshold is nominally 14.5 V and to meet the demanding requirements of some broadcasters it has a switching range of 14.0 V to 15 V. The threshold is temperature compensated to minimize drift. This features a low and stable input current that enables transient protection to be achieved with the addition of only a single resistor.

The outputs are configured to deliver a positive regulated voltage drive of 7 V when a desired channel is selected, and 0V when de-selected.

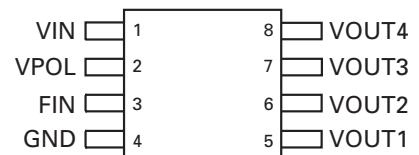
Features

- Precision voltage and tone detectors
- Temperature compensated
- Low cost solution
- Integrated tone filter
- Powered from STB: no additional power requirement
- Direct drive to PIN diodes
- SO8 SMD package

Applications

- Switch boxes for satellite IF distribution
- LNB receivers

Pin out - top view



Absolute maximum ratings

Input voltage	25V
Output current	50mA
Operating temperature	-40 to 85°C
Storage temperature	-50 to 150°C

Electrical characteristics

Test conditions (unless otherwise stated): $V_{in} = 10V$ to $21V$ via series resistor as test circuit, $T_{amb} = 25^{\circ}C$

Symbol	Parameter	Conditions	Min.	Typ.	Max.	Units
I_S	Supply current	$I_{OUT} = 0$	1.5	3.2	5.5	mA
I_{POL}	Input current at V_{POL}	$V_{POL} = 15V$ $V_{in} = 15V$	130	220	350	μA
V_{TVPOL}^*	Threshold voltage	$T_{amb} = -40$ to $80^{\circ}C$ $V_{in} = 15V$	14	14.5	15	V
V_{TFIN}	Tone threshold	$f = 22kHz^{\dagger}$	100	170	350	mV p-p
V_{OUTH}	Output voltage "high"	For selected output, $I_{OUT} = 20$ mA (source)	6.5	7	7.5	V
		For selected output, $I_{OUT} = 0$	7.5	8	8.5	V
V_{OUTL}	Output voltage "low"	For unselected output, $I_{OUT} = -1$ mA (sink)		0.15	0.5	V
T_{SW}	Switching speed				10	ms

NOTES:

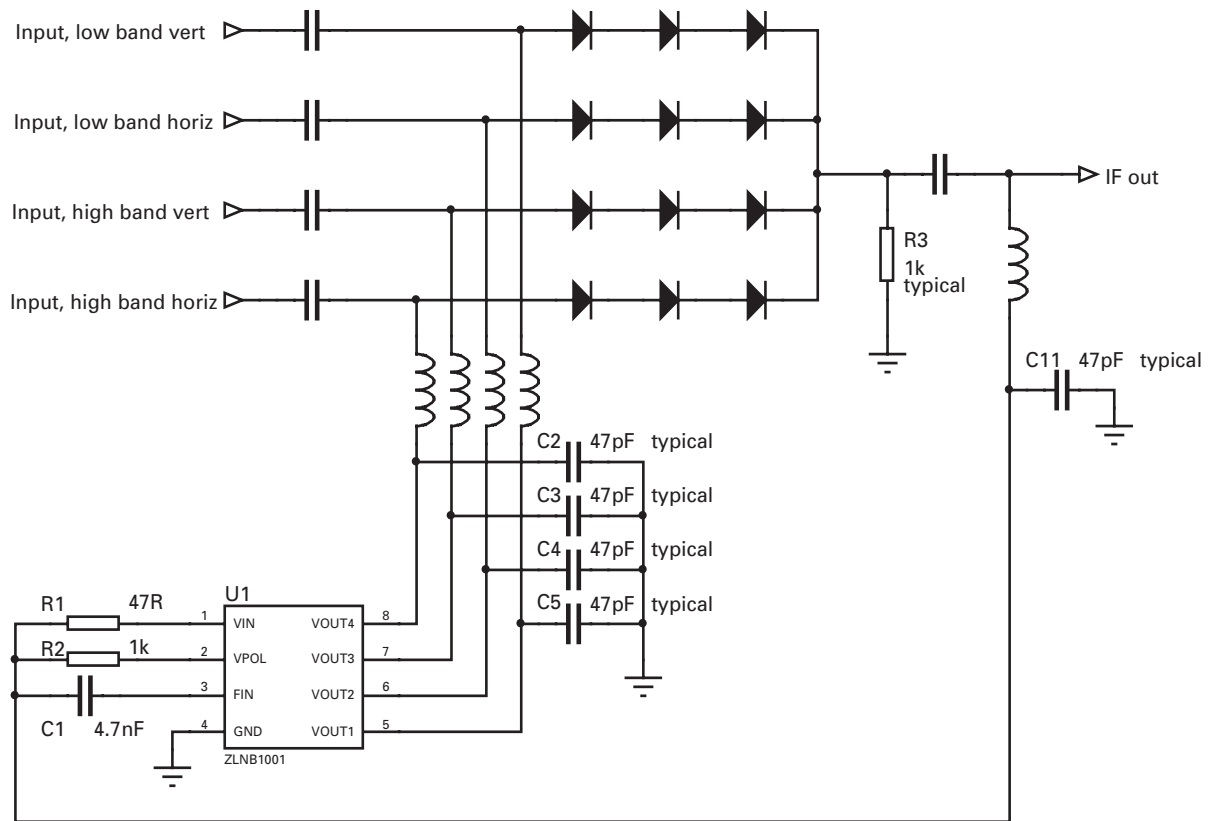
* Threshold voltage is adjustable using external resistor.

† Waveform of 22 kHz tone is shown in test circuit diagram.

Truth table

Tone	V_{POL}	Output 1	Output 2	Output 3	Output 4	Satellite signal
Off	$< V_{TVPOL}$	High	Low	Low	Low	Low band Vert
Off	$> V_{TVPOL}$	Low	High	Low	Low	Low band Horiz
On	$< V_{TVPOL}$	Low	Low	High	Low	High band Vert
On	$> V_{TVPOL}$	Low	Low	Low	High	High band Horiz

Typical application circuit using pin diodes

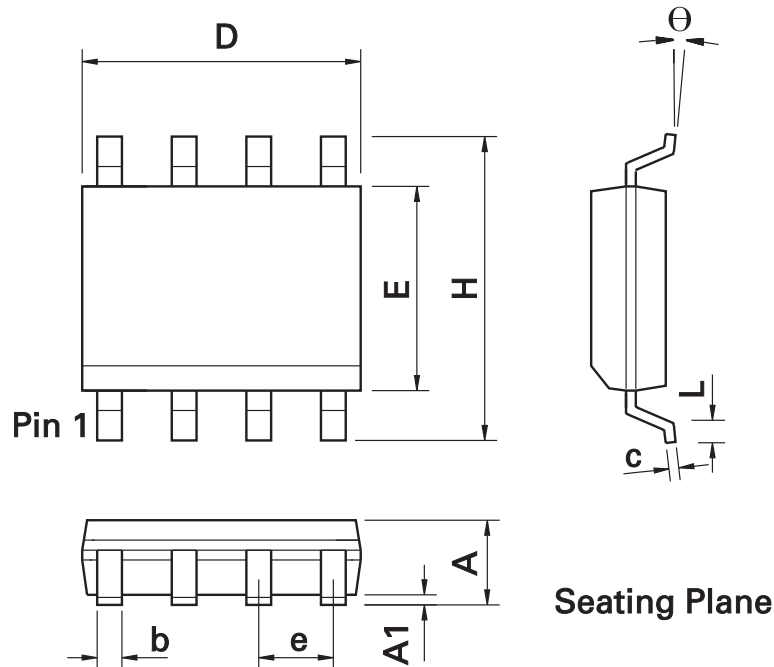


Application information

The schematic diagram above shows the typical application driving RF signal PIN diodes. Values of suitable external components are shown. R1 R2 and C1 are required to achieve specified operation. Values of other components are typical of the application. When one signal path is selected according to the Truth Table, the selected signal diodes carry a forward current set by R3. The other signal diodes are biased off, R3 providing a degree of reverse bias.

In order to limit the peak current in the device, it is recommended that the output decoupling capacitor value, including C2, C3, C4 and C5, should not be excessive. Normally this total is expected to be less than a few hundred pF in the intended application.

Package details - SO8



Package dimensions

Dimensions in inches are control dimensions, dimensions in millimeters are approximate.

DIM	Millimeters		Inches		DIM	Millimeters		Inches	
	Min.	Max.	Min.	Max.		Min.	Max.	Min.	Max.
A	1.35	1.75	0.053	0.069	e	1.27 BSC		0.050 BSC	
A1	0.10	0.25	0.004	0.010	b	0.33	0.51	0.013	0.020
D	4.80	5.00	0.189	0.197	c	0.19	0.25	0.008	0.010
H	5.80	6.20	0.228	0.244	Θ	0°	8°	0°	8°
E	3.80	4.00	0.150	0.157	h	0.25	0.50	0.010	0.020
L	0.40	1.27	0.016	0.050	-	-	-	-	-

Europe

Zetex GmbH
Streitfeldstraße 19
D-81673 München
Germany

Telefon: (49) 89 45 49 49 0
Fax: (49) 89 45 49 49 49
europe.sales@zetex.com

Americas

Zetex Inc
700 Veterans Memorial Highway
Hauppauge, NY 11788
USA

Telephone: (1) 631 360 2222
Fax: (1) 631 360 8222
usa.sales@zetex.com

Asia Pacific

Zetex (Asia Ltd)
3701-04 Metroplaza Tower 1
Hing Fong Road, Kwai Fong
Hong Kong

Telephone: (852) 26100 611
Fax: (852) 24250 494
asia.sales@zetex.com

Corporate Headquarters

Zetex Semiconductors plc
Zetex Technology Park, Chadderton
Oldham, OL9 9LL
United Kingdom

Telephone (44) 161 622 4444
Fax: (44) 161 622 4446
hq@zetex.com

These offices are supported by agents and distributors in major countries world-wide.

This publication is issued to provide outline information only which (unless agreed by the company in writing) may not be used, applied or reproduced for any purpose or form part of any order or contact or be regarded as a representation relating to the products or services concerned. The company reserves the right to alter without notice the specification, design, price or conditions of supply of any product or service.



Компания «ЭлектроПласт» предлагает заключение долгосрочных отношений при поставках импортных электронных компонентов на взаимовыгодных условиях!

Наши преимущества:

- Оперативные поставки широкого спектра электронных компонентов отечественного и импортного производства напрямую от производителей и с крупнейших мировых складов;
- Поставка более 17-ти миллионов наименований электронных компонентов;
- Поставка сложных, дефицитных, либо снятых с производства позиций;
- Оперативные сроки поставки под заказ (от 5 рабочих дней);
- Экспресс доставка в любую точку России;
- Техническая поддержка проекта, помощь в подборе аналогов, поставка прототипов;
- Система менеджмента качества сертифицирована по Международному стандарту ISO 9001;
- Лицензия ФСБ на осуществление работ с использованием сведений, составляющих государственную тайну;
- Поставка специализированных компонентов (Xilinx, Altera, Analog Devices, Intersil, Interpoint, Microsemi, Aeroflex, Peregrine, Syfer, Eurofarad, Texas Instrument, Miteq, Cobham, E2V, MA-COM, Hittite, Mini-Circuits, General Dynamics и др.);

Помимо этого, одним из направлений компании «ЭлектроПласт» является направление «Источники питания». Мы предлагаем Вам помощь Конструкторского отдела:

- Подбор оптимального решения, техническое обоснование при выборе компонента;
- Подбор аналогов;
- Консультации по применению компонента;
- Поставка образцов и прототипов;
- Техническая поддержка проекта;
- Защита от снятия компонента с производства.



Как с нами связаться

Телефон: 8 (812) 309 58 32 (многоканальный)

Факс: 8 (812) 320-02-42

Электронная почта: org@eplast1.ru

Адрес: 198099, г. Санкт-Петербург, ул. Калинина, дом 2, корпус 4, литера А.