

**PLEASE CHECK WWW.MOLEX.COM FOR LATEST PART INFORMATION**

**Part Number:** [0850133081](#)  
**Status:** **Active**  
**Overview:** [din\\_41612](#)  
**Description:** 2.54mm (.100") Pitch DIN 41612 Header, Through Hole, Vertical, Style R, 1.0µm (39µ") Selective Gold (Au), 96 Circuits

**Documents:**

[Drawing \(PDF\)](#) [RoHS Certificate of Compliance \(PDF\)](#)  
[Product Specification PS-85013-0001 \(PDF\)](#)

**Agency Certification**

CSA LR19980  
 UL E29179

**General**

Product Family Backplane Connectors  
 Series [85013](#)  
 Application Backplane  
 Component Type PCB Header  
 Overview [din\\_41612](#)  
 Product Name IEC 603-2/DIN 41612  
 Style R

**Physical**

Circuits (Loaded) 96  
 Circuits (maximum) 96  
 Circuits Detail Standard Contacts A at: a3-a23,a25-a32;b2-b32;c3-c23,c25-c32 . First-Mate-Last-Break at Contacts Z at a1,a2,a24;b1;c1,c2,c24  
 Durability (mating cycles max) 500  
 First Mate / Last Break Yes  
 Flammability 94V-0  
 Guide to Mating Part No  
 Keying to Mating Part None  
 Material - Plating Mating Gold  
 Number of Columns 32  
 Number of Pairs Open Pin Field  
 Number of Rows 3  
 Orientation Vertical  
 PC Tail Length (in) 0.110 In  
 PC Tail Length (mm) 2.90 mm  
 PCB Locator No  
 PCB Retention Yes  
 Packaging Type Carton  
 Pitch - Mating Interface (in) 0.100 In  
 Pitch - Mating Interface (mm) 2.54 mm  
 Pitch - Term. Interface (in) 0.100 In  
 Pitch - Term. Interface (mm) 2.54 mm  
 Plating min: Mating (µin) 39  
 Plating min: Mating (µm) 1  
 Polarized to PCB No  
 Stackable No  
 Temperature Range - Operating -55°C to +125°C  
 Termination Interface: Style Through Hole

**Electrical**

**EU RoHS** **China RoHS**

**Compliance Status**

**Not Reviewed**

**REACH SVHC**

**Not Reviewed**

**Halogen-Free**

**Status**

**Not Reviewed**

**Need more information on product environmental compliance?**

Email [productcompliance@molex.com](mailto:productcompliance@molex.com)  
 For a multiple part number RoHS Certificate of Compliance, [click here](#)

Please visit the [Contact Us](#) section for any non-product compliance questions.

**Search Parts in this Series**

[85013Series](#)

**Mates With**

[85052 Receptacle](#)

Current - Maximum per Contact	1A
Data Rate	622.0 Mbps
Shield Type	N/A
Shielded	No
Voltage - Maximum	1000V (RMS)

### **Material Info**

### **Reference - Drawing Numbers**

Product Specification	PS-85013-0001
Sales Drawing	SD-85013-3081, SDA-85013-0001, SDA-85013-3081

This document was generated on 05/17/2010

**PLEASE CHECK [WWW.MOLEX.COM](http://WWW.MOLEX.COM) FOR LATEST PART INFORMATION**

20 19 18 17 16 15 14 13 12 11 9 8 7 6 5 4 3 2 1


VIEW ON MATING SIDE

○	Z	Z	A	A	A	A	A	A	A	A	A	A	A	A	A	A	A	A	A	Z	A	A	A	A	A	A	A	A	A	A	A	A
○	Z	A	A	A	A	A	A	A	A	A	A	A	A	A	A	A	A	A	A	A	A	A	A	A	A	A	A	A	A	A	A	A
○	Z	Z	A	A	A	A	A	A	A	A	A	A	A	A	A	A	A	A	A	Z	A	A	A	A	A	A	A	A	A	A	A	
	-	2	3	4	5	6	7	8	9	10	11	12	13	14	15	16	17	18	19	20	21	22	23	24	25	26	27	28	29	30	31	32

A = 89 STANDARD CONTACTS L = 2,9  
 Z = 7 FMLB CONTACTS +0,6 L = 2,9  
 S = 96 TOTAL NUMBER OF CONTACTS

MARKING	STANDARD
PERFORMANCE LEVEL	G/I/O = CONTACT AREA PERFORM. LEVEL I / TERMINATION TIN
FLUX PROOF	NO
FIXING CLIP	NO
DIMENSIONS	SD-85013-0001 SHT 1

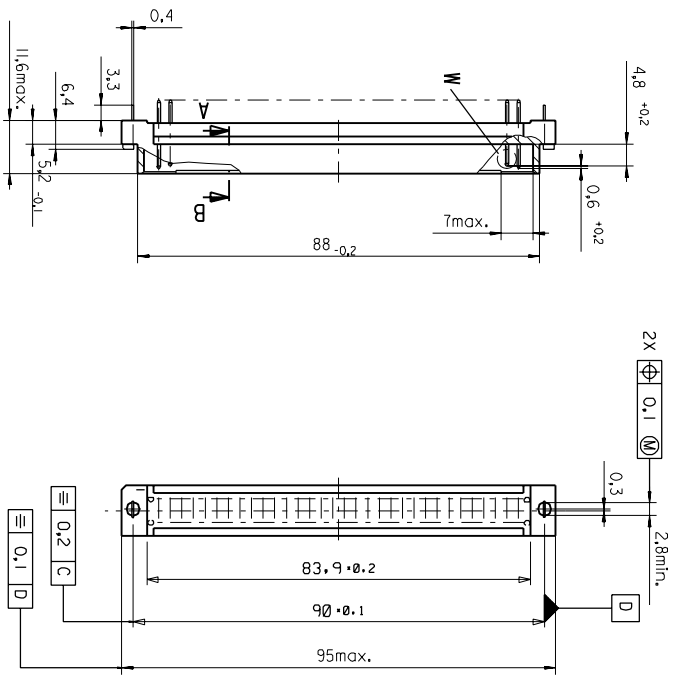
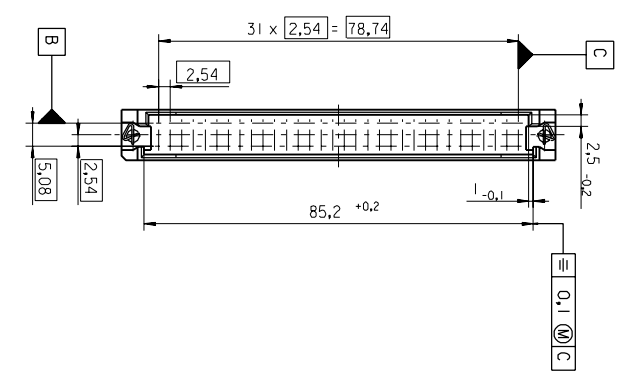
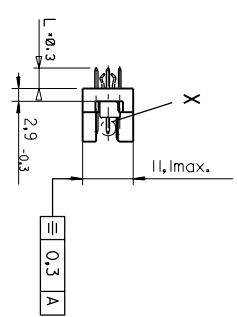
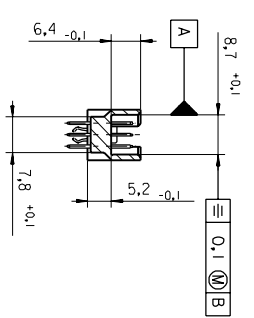
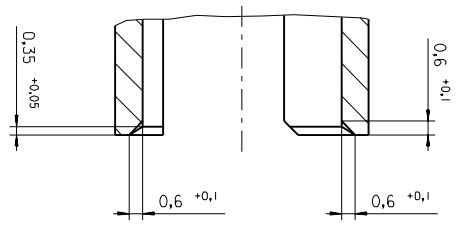
Z	G/I/O	a1,2,24	b1	c1,2,24
A	G/I/O	a3-23,25-32	b2-32	c3-23,25-32
CONTACT SYMBOL	PERFORMANCE LEVEL	CONTACT POSITION NUMBER		

EC NO. I 2004-XXXX DRAWN N.S. 31/03/04 CHK'd G.L. 31/03/04 APPR. G.L. 31/03/04	QUALITY SYMBOLS MAJOR $\nabla$ <sub>1</sub> CRITICAL $\nabla$ <sub>2</sub>	GENERAL TOLERANCES: (UNLESS SPECIFIED)		SCALE	DESIGN UNITS	THIRD ANGLE PROJECTION <input checked="" type="checkbox"/>	DIMENSIONS:		SHT	REV	
					<input checked="" type="checkbox"/> MM <input type="checkbox"/> INCH		<input type="checkbox"/> INCH <input type="checkbox"/> MM	<input checked="" type="checkbox"/> MM ONLY		REVISE ON CAD ONLY	
		4 PLACES $\pm 0,1$		mm		DRAWN BY & DATE N.S. 17/09/01		TITLE: 96 POS MALE CONNECTOR ACCORDING DIN 41612 STYLE R CONTACTS ARRANGEMENT  MOLEX INCORPORATED			
		3 PLACES $\pm 0,1$		mm		CHECKED BY & DATE G.L. 17/09/01					
2 PLACES $\pm 0,1$		mm		APPROVED BY & DATE G.L. 17/09/01		MATERIAL NO.		DRAWING NO.			
1 PLACE $\pm 0,1$		mm		ANGULAR $\pm$		SD-85013-3081.S01		SD-85013-3081			
DRAFT WHERE APPLICABLE MUST REMAIN WITHIN DIMENSIONS				CAD FILENAME		SD-85013-3081.S01		SD-85013-3081			
				THIS DRAWING CONTAINS INFORMATION THAT IS PROPRIETARY TO MOLEX INCORPORATED AND SHOULD NOT BE USED WITHOUT WRITTEN PERMISSION.				SHEET NO. 1 OF 1			
								SIZE D			

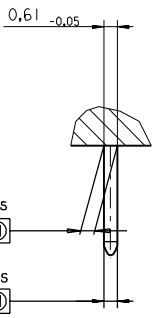
19 18 17 16 15 14 13 12 11 10 9 8 7 6 5 4 3 2 1

PART NO.  
DWG. NO.

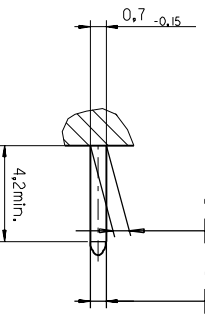
Section A - B  
5:1



View X  
5:1



View W  
5:1



first release see ECN No. 1887
<b>REVISIONS</b>
FOR PREVIOUS REVISIONS SEE MRI LIST
LTR

<b>FIRST ANGLE PROJECTION</b>	
UNLESS OTHERWISE SPECIFIED TOLERANCES ANGULAR #2	INCH
3 PLACE ± .	±
2 PLACE ± .	±
1 PLACE ± .	±
DRAFT WHERE APPLICABLE MUST REMAIN WITHIN DIMENSIONS	
DESIGN DIMENSION	<input checked="" type="checkbox"/> MM
EQUIVALENT DIMENSION	<input type="checkbox"/> IN.
SCALE	1:1

PROJ	CON	BY	CHK'D	DATE
1	1	1	1	1

<b>REVISE ONLY ON CAD SYSTEM</b>	<b>SH. REV.</b>
GROUP PROJECT NAME 850100	THIS DRAWING CONTAINS INFORMATION THAT IS PROTECTED TO MOLEX INC. & SHOULD NOT BE USED WITHOUT WRITTEN PERMISSION
TITLE <b>96 pos. Male connector acc. DIN 41612 Style R Dimensions</b>	
PART NO. <b>MOLEX EUROPE</b>	SHEET NO. DATE <b>1 OF 95/06/07</b>
DWG. NO. <b>SDA-85013-0001</b>	SIZE <b>B</b>

7132-1283

10 9 8 7 6 5 4 3 2 1

View on mating side

○	Z	Z	A	A	A	A	A	A	A	A	A	A	A	A	A	A	A	A	A	A	Z	A	A	A	A	A	A	A	A			
○	Z	A	A	A	A	A	A	A	A	A	A	A	A	A	A	A	A	A	A	A	A	A	A	A	A	A	A	A	A			
○	Z	Z	A	A	A	A	A	A	A	A	A	A	A	A	A	A	A	A	A	A	Z	A	A	A	A	A	A	A	A			
	1	2	3	4	5	6	7	8	9	10	11	12	13	14	15	16	17	18	19	20	21	22	23	24	25	26	27	28	29	30	31	32

A = 89 standard contacts L=2,9  
 Z = 7 FMLB contacts +0,6 L=2,9  
 S = 96 total number of contacts

Marking	Standard
Performance level	G1/0 = Contact area perform. level I / Termination tin
Flux proof	no
Fixing clip	no
Dimensions	SDA-85013-0001 sht.1
Technical Data	PS-85013-0001

Z	G1/0	a1,2,24	b1	c1,2,24	
A	G1/0	a3-23,25-32	b2-32	c3-23,25-32	
Contact symbol	Perform. level	Contact position number			

first release see ECN No. 2362	REVISIONS	UNLESS OTHERWISE SPECIFIED TOLERANCES: ANGULAR ±2°		DRWG BY	SIGN	REVISIONS		SH.	REV.		
		INCH METRIC		Ca		CAD/CAM PROJECT NAME		THIS DRAWING CONTAINS INFORMATION THAT IS PROPRIETARY TO MOLEX INC. & SHOULD NOT BE USED WITHOUT WRITTEN PERMISSION			
		3 PLACE	± .	±	CHK'D BY	SIGN	TITLE		96 pos. Male connector acc. DIN 41612 style R contacts arrangement		
		2 PLACE	± .	±	KN		MOLEX EUROPE		SHEET NO.	DATE	
		1 PLACE	± .	±	APP'D BY	SIGN			1 OF 1	96/12/16	
DRAFT WHERE APPLICABLE MUST REMAIN WITHIN DIMENSIONS		DESIGN DIMENSION	<input type="checkbox"/> MM <input type="checkbox"/> IN.	SCALE		PART NO.	DWG NO.	SIZE			
EQUIVALENT DIMENSION		<input type="checkbox"/> MM <input type="checkbox"/> IN.			85013-3081	SDA-85013-3081	A				
IF TWO DIMENSIONS ARE SHOWN THE UPPER IS THE DESIGN DIMENSION, LOWER IS SECONDARY											



Компания «ЭлектроПласт» предлагает заключение долгосрочных отношений при поставках импортных электронных компонентов на взаимовыгодных условиях!

Наши преимущества:

- Оперативные поставки широкого спектра электронных компонентов отечественного и импортного производства напрямую от производителей и с крупнейших мировых складов;
- Поставка более 17-ти миллионов наименований электронных компонентов;
- Поставка сложных, дефицитных, либо снятых с производства позиций;
- Оперативные сроки поставки под заказ (от 5 рабочих дней);
- Экспресс доставка в любую точку России;
- Техническая поддержка проекта, помощь в подборе аналогов, поставка прототипов;
- Система менеджмента качества сертифицирована по Международному стандарту ISO 9001;
- Лицензия ФСБ на осуществление работ с использованием сведений, составляющих государственную тайну;
- Поставка специализированных компонентов (Xilinx, Altera, Analog Devices, Intersil, Interpoint, Microsemi, Aeroflex, Peregrine, Syfer, Eurofarad, Texas Instrument, Miteq, Cobham, E2V, MA-COM, Hittite, Mini-Circuits, General Dynamics и др.);

Помимо этого, одним из направлений компании «ЭлектроПласт» является направление «Источники питания». Мы предлагаем Вам помощь Конструкторского отдела:

- Подбор оптимального решения, техническое обоснование при выборе компонента;
- Подбор аналогов;
- Консультации по применению компонента;
- Поставка образцов и прототипов;
- Техническая поддержка проекта;
- Защита от снятия компонента с производства.



#### Как с нами связаться

**Телефон:** 8 (812) 309 58 32 (многоканальный)

**Факс:** 8 (812) 320-02-42

**Электронная почта:** [org@eplast1.ru](mailto:org@eplast1.ru)

**Адрес:** 198099, г. Санкт-Петербург, ул. Калинина, дом 2, корпус 4, литера А.