

Voltage Detector with Delay Time Adjustable

■ GENERAL DESCRIPTION

XC6129 series is an ultra small highly accurate voltage detector with external capacitor type delay function.

The device includes a highly accurate reference voltage source, manufactured using CMOS process and laser trimming technology, it maintains low power consumption and high accuracy. The device includes the built-in delay circuit. A release delay time or detect delay time can be set freely by connecting an external delay capacitor to Cd pin.

There are two kinds of the output configuration for the XC6129 such as CMOS or N-channel open drain. The series has a function to prevent an indefinite operation. Therefore, when the input pin voltage is under minimum operating voltage, the function controls an output pin voltage in the indefinite operation less than 0.4V (MAX.). Also, the series allows a choice of an output logic when detection; therefore, it is suitable for various electric devices using Microcontrollers.

Ultra small package USPN-4 and SSOT-24 (standard) are ideally suited for small design of portable devices and high densely mounting applications.

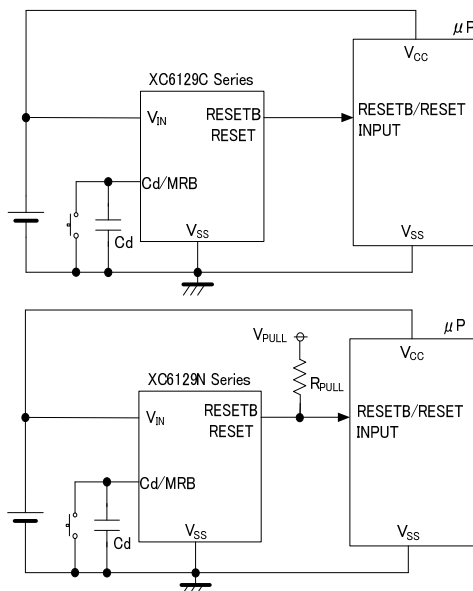
■ APPLICATIONS

- Microprocessor
- Logic circuit reset circuitry
- Battery check
- Charge voltage monitors
- Memory battery back-up switch circuits
- System power on reset
- Power failure detection circuits
- Delay circuit

■ FEATURES

| | |
|-------------------------------|---------------------------------------------------------------------------------------------------------------------------|
| High Accuracy | : $\pm 0.8\%$ ($T_a=25^\circ\text{C}$) |
| Temperature Characteristic | : $\pm 50\text{ppm}/^\circ\text{C}$ (TYP.) |
| Hysteresis Width | : $V_{DF} \times 5\%$ (TYP.) or Less than $V_{DF} \times 1\%$ |
| Low Power Consumption | : $0.42\mu\text{A}$ TYP. (at Detect, $V_{DF}=2.7\text{V}$) $0.58\mu\text{A}$ TYP. (at Release, $V_{DF}=2.7\text{V}$) |
| Detect Voltage Options | : $1.5\text{V} \sim 5.5\text{V}$ (0.1V increments) |
| Operating Voltage Range | : $1.3\text{V} \sim 6.0\text{V}$ |
| Output Configuration | : CMOS or N-channel Open Drain |
| Output Logic | : Active High or Active Low |
| Release Delay Time | : 13.9ms ($C_d=0.01\mu\text{F}$, $R_P=2\text{M}\Omega$) |
| Detect Delay Time | : 17.9ms ($C_d=0.01\mu\text{F}$, $R_n=2\text{M}\Omega$) |
| Manual Reset Input | : When Cd pin is "L" level, detect state |
| Operating Ambient Temperature | : $-40^\circ\text{C} \sim +85^\circ\text{C}$ |
| Packages | : USPN-4, SSOT-24 |
| Environmentally Friendly | : EU RoHS Compliant, Pb Free |

■ TYPICAL APPLICATION CIRCUITS



■ TYPICAL PERFORMANCE CHARACTERISTICS



■ BLOCK DIAGRAMS

1) XC6129C Series (Type A/B/C/D/E/F)



2) XC6129C Series (Type G/J/L)



* Diodes inside the circuits are ESD protection diodes and parasitic diodes.

■ BLOCK DIAGRAMS

3) XC6129N Series (Type A/C/E)



4) XC6129N Series (Type G/J/L)



* Diodes inside the circuits are ESD protection diodes and parasitic diodes.

PRODUCT CLASSIFICATION

Ordering Information

XC6129①②③④⑤⑥-⑦^(*)

| DESIGNATOR | ITEM | SYMBOL | DESCRIPTION |
|---------------------|-----------------------|--------|--------------------------|
| ① | Output Configuration | C | CMOS output |
| | | N | Nch open drain output |
| ②③ | Detect Voltage | 15~55 | e.g. 1.8V → ②=1, ③=8 |
| ④ | Type | A | Refer to Selection Guide |
| | | B | |
| | | C | |
| | | D | |
| | | E | |
| | | F | |
| | | G | |
| | | J | |
| ⑤⑥-⑦ ^(*) | Packages (Order Unit) | NR-G | SSOT-24 (3,000/Reel) |
| | | 7R-G | USPN-4 (5,000/Reel) |

^(*) The "-G" suffix denotes Halogen and Antimony free as well as being fully EU RoHS compliant.

Selection Guide

| TYPE | RESETB/RESET OUTPUT | HYSTERESIS WIDTH | RELEASE DELAY | DETECT DELAY | Undefined Operation Protect |
|------|---------------------|------------------|---------------|--------------|-----------------------------|
| A | Reset Active Low | 5% (TYP.) | Yes | No | No |
| B | | | | | Yes ^(*) |
| C | | | No | Yes | No |
| D | | | | | Yes ^(*) |
| E | | | Yes | Yes | No |
| F | | | | | Yes ^(*) |
| G | Reset Active High | 5% (TYP.) | Yes | No | No |
| J | | | No | | |
| L | | | Yes | | |

^(*) Only supported with CMOS output.

■ PIN CONFIGURATION

RESETB
RESET Cd/MRB



SSOT-24
(TOP VIEW)



USPN-4
(BOTTOM VIEW)

■ PIN ASSIGNMENT

| PIN NUMBER | | PIN NAME | FUNCTIONS |
|------------|--------|----------|--------------------------------------------|
| SSOT-24 | USPN-4 | | |
| 1 | 4 | V_{IN} | Power Input |
| 2 | 3 | V_{SS} | Ground |
| 3 | 2 | Cd/MRB | Adjustable Pin for DelayTime /Manual Reset |
| 4 | 1 | RESETB | Reset Output (Active Low) ^{(*)1} |
| | | RESET | Reset Output (Active High) ^{(*)2} |

^{(*)1} Type A~F (Refer to the ④ in Ordering Information table)

^{(*)2} Type G~M (Refer to the ④ in Ordering Information table)

FUNCTION CHART

| PIN NAME | SIGNAL | STATUS |
|----------|--------|------------------|
| Cd/MRB | L | Forced Reset |
| | H | Release |
| | OPEN | Normal Operation |

Refer to the table below.

1) Output Logic: Active Low

●Function Chart

| V_{IN} | $V_{Cd/MRB}$ | Transition of V_{RESETB} Condition |
|--------------------------------|---------------------------|--------------------------------------|
| $V_{IN} \geq V_{DF} + V_{HYS}$ | $V_{Cd/MRB} \leq V_{MRL}$ | Reset (Low Level) ^(*1) |
| | $V_{Cd/MRB} \geq V_{MRH}$ | Release (High Level) ^(*2) |
| $V_{IN} \leq V_{DF}$ | $V_{Cd/MRB} \leq V_{MRL}$ | Reset (Low Level) ^(*1) |
| | $V_{Cd/MRB} \geq V_{MRH}$ | Undefined ^(*3) |

2) Output Logic: Active High

●Function Chart

| V_{IN} | $V_{Cd/MRB}$ | Transition of V_{RESET} Condition |
|--------------------------------|---------------------------|-------------------------------------|
| $V_{IN} \geq V_{DF} + V_{HYS}$ | $V_{Cd/MRB} \leq V_{MRL}$ | Reset (High Level) ^(*2) |
| | $V_{Cd/MRB} \geq V_{MRH}$ | Release (Low Level) ^(*1) |
| $V_{IN} \leq V_{DF}$ | $V_{Cd/MRB} \leq V_{MRL}$ | Reset (High Level) ^(*2) |
| | $V_{Cd/MRB} \geq V_{MRH}$ | Undefined ^(*3) |

^(*1) CMOS output: $V_{IN} \times 0.1$ or less, N-ch open drain output, pull-up voltage $\times 0.1$ or less.

^(*2) CMOS output: $V_{IN} \times 0.9$ or higher, N-ch open drain output, pull-up voltage $\times 0.9$ or higher.

^(*3) Refer to the OPERATING DESCRIPTION <Manual reset function> below.

■ ABSOLUTE MAXIMUM RATINGS

Ta=25°C

| PARAMETER | | SYMBOL | RATINGS | UNITS |
|-------------------------------|--------------------------|---------------------|--------------------------------------------------------------------|-------|
| Input Voltage | | V _{IN} | -0.3~+6.5 | V |
| Output Current | XC6129C ^(*)1) | I _R OUT | ±50 | mA |
| | XC6129N ^(*)2) | I _R OUT | 50 | |
| Output Voltage | XC6129C ^(*)1) | V _{RESETB} | V _{SS} -0.3~V _{IN} +0.3 or +6.5 ^(*)3) | V |
| | XC6129N ^(*)2) | V _{RESET} | V _{SS} -0.3~+6.5 | |
| Cd/MRB Pin Voltage | | V _{Cd/MRB} | V _{SS} -0.3~V _{IN} +0.3 | V |
| Cd/MRB Pin Current | | I _{Cd/MRB} | ±5 | mA |
| Power Dissipation | SSOT-24 | P _d | 150 | mW |
| | USPN-4 | | 100 | |
| Operating Ambient Temperature | | T _{opr} | -40~+85 | °C |
| Storage Temperature | | T _{stg} | -55~+125 | °C |

* All voltages are described based on the V_{SS}.

^(*)1) CMOS Output

^(*)2) N-ch Open Drain Output

^(*)3) The maximum value should be either V_{IN}+0.3 or +6.5 in the lowest.

ELECTRICAL CHARACTERISTICS

●XC6129xxxA~XC6129xxxF Series (Output Logic: Active Low)

Ta=25°C

| PARAMETER | | SYMBOL | CONDITIONS | MIN. | TYP. | MAX. | UNITS | CIRCUIT |
|---------------------------------------|------------------------|------------------------------------------------------|---------------------------------------------------------------------------------------|-------------------------------------------|---------------------|-------------------------|--------|---------|
| Detect Voltage | | V_{DF} | $V_{DF(T)}^{(*)}=1.5V\sim 5.5V$ | $V_{DF(T)}\times 0.992$ | $V_{DF(T)}$ | $V_{DF(T)}\times 1.008$ | V | ① |
| Temperature Characteristics | | $\frac{\Delta V_{DF}}{(\Delta T_{opr}\cdot V_{DF})}$ | $-40^{\circ}C\leq T_{opr}\leq 85^{\circ}C$ | - | ± 50 | - | ppm/°C | ① |
| Hysteresis Width | | V_{HYS} | - | $V_{DF}\times 0.03$ | $V_{DF}\times 0.05$ | $V_{DF}\times 0.07$ | V | ① |
| Supply Current 1 | | I_{SS1} | $V_{IN}=V_{DF}\times 0.9V$ (Detect) | E-2 ⁽²⁾ | | | μA | ② |
| Supply Current 2 | | I_{SS2} | $V_{IN}=V_{DF}\times 1.1V$ (Release) (Type:A,C,E) (Type:B,D,F) | E-3 ⁽²⁾ E-31 ⁽²⁾ | | | | |
| Operating Voltage | | V_{IN} | - | 1.3 | - | 6.0 | V | - |
| Output Current | | I_{RBOUT1} | $V_{IN}=1.3V, V_{RESETB}=0.5V$ (N-ch) | 1.7 | 3.0 | - | mA | ③ |
| | | | $V_{IN}=2.0V^{(*)3}, V_{RESETB}=0.5V$ (N-ch) | 5.2 | 6.7 | - | | |
| | | | $V_{IN}=3.0V^{(*)4}, V_{RESETB}=0.5V$ (N-ch) | 8.6 | 10.2 | - | | |
| | | | $V_{IN}=4.0V^{(*)5}, V_{RESETB}=0.5V$ (N-ch) | 10.6 | 12.3 | - | | |
| | | | $V_{IN}=5.0V^{(*)6}, V_{RESETB}=0.5V$ (N-ch) | 11.7 | 13.5 | - | | |
| | | $I_{RBOUT2}^{(*)7}$ | $V_{IN}=2.0V^{(*)8}, V_{RESETB}=V_{IN}-0.5V$ (P-ch) | - | -1.9 | -0.9 | | |
| | | | $V_{IN}=3.0V^{(*)9}, V_{RESETB}=V_{IN}-0.5V$ (P-ch) | - | -3.1 | -2.1 | | |
| | | | $V_{IN}=4.0V^{(*)10}, V_{RESETB}=V_{IN}-0.5V$ (P-ch) | - | -4.0 | -3.0 | | |
| | | | $V_{IN}=5.0V^{(*)11}, V_{RESETB}=V_{IN}-0.5V$ (P-ch) | - | -4.7 | -3.7 | | |
| | | | $V_{IN}=6.0V, V_{RESETB}=V_{IN}-0.5V$ (P-ch) | - | -5.2 | -4.2 | | |
| Leakage Current | CMOS Output (P-ch) | I_{LEAK} | $V_{IN}=V_{DF}\times 0.9V, V_{RESETB}=0V$ | - | -0.01 | - | μA | ③ |
| | N-ch Open Drain Output | | $V_{IN}=6.0V, V_{RESETB}=6.0V$ | - | 0.01 | 0.1 | | |
| Delay Resistance ^(**12) | | R_p | $V_{IN}=6.0V, V_{Cd/MRB}=0V$ (Type: A, B, E, F) | 1.8 | 2.0 | 2.15 | MΩ | ④ |
| | | R_n | $V_{IN}=V_{Cd/MRB}=V_{DF}\times 0.9V$ (Type: C, D, E, F) | | | | | |
| Undefined Operation ^(**13) | | V_{UNS} | $V_{IN}<1.3V$ | - | - | 0.4 | V | ⑧ |
| Release Delay Time | | t_{DR0} | $V_{IN}=V_{DF}\times 0.9V\rightarrow V_{DF}\times 1.1V$ ^(**14) Cd: OPEN | - | 0.05 | - | ms | ⑤ |
| Detect Delay Time | | t_{DF0} | $V_{IN}=V_{DF}\times 1.1V\rightarrow V_{DF}\times 0.9V$ ^(**15) Cd: OPEN | - | 0.13 | - | ms | ⑤ |
| Cd Threshold Voltage | | V_{TCD} | $V_{IN}=V_{DF}\times 1.1V\sim 6.0V$ (Release) $V_{IN}=V_{DF}\times 0.9V$ (Detect) | $V_{IN}\times 0.44$ | $V_{IN}\times 0.50$ | $V_{IN}\times 0.56$ | V | ⑥ |
| MRB Low Level Voltage | | V_{MRL} | $V_{IN}=V_{DF}\times 1.1V\sim 6.0V$ | 0 | - | $V_{IN}\times 0.17$ | V | ⑥ |
| MRB High Level Voltage | | V_{MRH} | $V_{IN}=V_{DF}\times 1.1V\sim 6.0V$ | $V_{IN}\times 0.56$ | - | V_{IN} | V | ⑥ |
| Minimum MRB Pulse Width | | t_{MRB} | $V_{IN}=V_{DF}\times 1.1V$ $V_{Cd/MRB}=V_{IN}\rightarrow 0V\rightarrow V_{IN}$ | 5.0 | - | - | μs | ⑦ |

(*) $V_{DF(T)}$: Nominal detect voltage

(2) For the detail value, please refer to "Voltage Table".

(3) For $V_{DF(T)}>2.0V$ only

(4) For $V_{DF(T)}>3.0V$ only

(5) For $V_{DF(T)}>4.0V$ only

(6) For $V_{DF(T)}>5.0V$ only

(7) For XC6129C (CMOS output) only

(8) For $V_{DF(T)}\leq 1.8V$ only

(9) For $V_{DF(T)}\leq 2.7V$ only.

(10) For $V_{DF(T)}\leq 3.7V$ only

(11) For $V_{DF(T)}\leq 4.6V$ only

(12) Resistance is calculated from voltage applied to Cd/MRB pin and current.

(13) Types B/D/F of XC6129C series only.

(14) Time from $V_{IN}=V_{DF}+V_{HYS}$ until $V_{RESETB}=V_{DF}\times 1.1\times 0.9$ when V_{IN} rises. (CMOS output)

Time from $V_{IN}=V_{DF}+V_{HYS}$ until $V_{RESETB}=\text{Pull-up voltage}\times 0.9$ when V_{IN} rises. (N-ch open drain output)

(15) Time from $V_{IN}=V_{DF}$ until $V_{RESETB}=V_{DF}\times 0.9\times 0.1$ when V_{IN} drops. (CMOS output)

Time from $V_{IN}=V_{DF}$ until $V_{RESETB}=\text{Pull-up voltage}\times 0.1$ when V_{IN} drops. (N-ch open drain output)

■ ELECTRICAL CHARACTERISTICS (Continued)

Ta=25°C

●XC6129xxxG~XC6129xxxL Series (Output Logic: Active High)

| PARAMETER | | SYMBOL | CONDITIONS | MIN. | TYP. | MAX. | UNITS | CIRCUIT |
|-----------------------------------|------------------------|------------------------------------------------------|--------------------------------------------------------------------------------------|-------------------------|---------------------|-------------------------|--------|---------|
| Detect Voltage | | V_{DF} | $V_{DF(T)}^{(*)}=1.5V\sim 5.5V$ | $V_{DF(T)}\times 0.992$ | $V_{DF(T)}$ | $V_{DF(T)}\times 1.008$ | V | ① |
| Temperature Characteristics | | $\frac{\Delta V_{DF}}{(\Delta T_{opr}\cdot V_{DF})}$ | $-40^{\circ}C\leq T_{opr}\leq 85^{\circ}C$ | - | ± 50 | - | ppm/°C | ① |
| Hysteresis Width | | V_{HYS} | - | $V_{DF}\times 0.03$ | $V_{DF}\times 0.05$ | $V_{DF}\times 0.07$ | V | ① |
| Supply Current 1 | | I_{SS1} | $V_{IN}=V_{DF}\times 0.9V$ (Detect) | E-2 ^{(*)2} | | | μA | ② |
| Supply Current 2 | | I_{SS2} | $V_{IN}=V_{DF}\times 1.1V$ (Release) | E-3 ^{(*)2} | | | | |
| Operating Voltage | | V_{IN} | - | 1.3 | - | 6.0 | V | - |
| Output Current | | I_{ROUT1} | $V_{IN}=2.0V^{(*)3}, V_{RESET}=0.5V$ (N-ch) | 5.2 | 6.7 | - | mA | ③ |
| | | | $V_{IN}=3.0V^{(*)4}, V_{RESET}=0.5V$ (N-ch) | 8.6 | 10.2 | - | | |
| | | | $V_{IN}=4.0V^{(*)5}, V_{RESET}=0.5V$ (N-ch) | 10.6 | 12.3 | - | | |
| | | | $V_{IN}=5.0V^{(*)6}, V_{RESET}=0.5V$ (N-ch) | 11.7 | 13.5 | - | | |
| | | | $V_{IN}=6.0V, V_{RESET}=0.5V$ (N-ch) | 12.4 | 14.3 | - | | |
| | | $I_{ROUT2}^{(*)7}$ | $V_{IN}=1.3V, V_{RESET}=V_{IN}-0.5V$ (P-ch) | - | -0.9 | -0.1 | | |
| | | | $V_{IN}=2.0V^{(*)8}, V_{RESET}=V_{IN}-0.5V$ (P-ch) | - | -1.9 | -0.9 | | |
| | | | $V_{IN}=3.0V^{(*)9}, V_{RESET}=V_{IN}-0.5V$ (P-ch) | - | -3.1 | -2.1 | | |
| | | | $V_{IN}=4.0V^{(*)10}, V_{RESET}=V_{IN}-0.5V$ (P-ch) | - | -4.0 | -3.0 | | |
| | | | $V_{IN}=5.0V^{(*)11}, V_{RESET}=V_{IN}-0.5V$ (P-ch) | - | -4.7 | -3.7 | | |
| Leakage Current | CMOS Output (P-ch) | I_{LEAK} | $V_{IN}=6.0V, V_{RESET}=0V$ | - | -0.01 | - | μA | ③ |
| | N-ch Open Drain Output | | $V_{IN}=V_{DF}\times 0.9V, V_{RESET}=6.0V$ | - | 0.01 | 0.1 | | |
| Delay Resistance ^{(*)12} | | R_p | $V_{IN}=6.0V, V_{Cd/MRB}=0V$ (Type: G, L) | 1.8 | 2.0 | 2.15 | MΩ | ④ |
| | | R_n | $V_{IN}=V_{Cd/MRB}=V_{DF}\times 0.9V$ (Type: J, L) | | | | | |
| Release Delay Time | | t_{DR0} | $V_{IN}=V_{DF}\times 0.9V\rightarrow V_{DF}\times 1.1V^{(*)13}$ Cd: OPEN | - | 0.05 | - | ms | ⑤ |
| Detect Delay Time | | t_{DF0} | $V_{IN}=V_{DF}\times 1.1V\rightarrow V_{DF}\times 0.9V^{(*)14}$ Cd: OPEN | - | 0.13 | - | ms | ⑤ |
| Cd Threshold Voltage | | V_{TCD} | $V_{IN}=V_{DF}\times 1.1V\sim 6.0V$ (Release) $V_{IN}=V_{DF}\times 0.9V$ (Detect) | $V_{IN}\times 0.44$ | $V_{IN}\times 0.50$ | $V_{IN}\times 0.56$ | V | ⑥ |
| MRB Low Level Voltage | | V_{MRL} | $V_{IN}=V_{DF}\times 1.1V\sim 6.0V$ | 0 | - | $V_{IN}\times 0.17$ | V | ⑥ |
| MRB High Level Voltage | | V_{MRH} | $V_{IN}=V_{DF}\times 1.1V\sim 6.0V$ | $V_{IN}\times 0.56$ | - | V_{IN} | V | ⑥ |
| Minimum MRB Pulse Width | | t_{MRB} | $V_{IN}=V_{DF}\times 1.1V$ $V_{Cd/MRB}=V_{IN}\rightarrow 0V\rightarrow V_{IN}$ | 5.0 | - | - | μs | ⑦ |

(*)1 $V_{DF(T)}$: Nominal detect voltage

(*)2 For the detail value, please refer to "Voltage Table".

(*)3 For $V_{DF(T)}\leq 1.8V$ only

(*)4 For $V_{DF(T)}\leq 2.7V$ only

(*)5 For $V_{DF(T)}\leq 3.7V$ only

(*)6 For $V_{DF(T)}\leq 4.6V$ only

(*)7 For XC6129C (CMOS output) only

(*)8 For $V_{DF(T)}> 2.0V$ only

(*)9 For $V_{DF(T)}> 3.0V$ only.

(*)10 For $V_{DF(T)}> 4.0V$ only

(*)11 For $V_{DF(T)}> 5.0V$ only

(*)12 Resistance is calculated from voltage applied to Cd/MRB pin and current.

(*)13 Time from $V_{IN}=V_{DF} + V_{HYS}$ until $V_{RESETB}=V_{DF} \times 1.1 \times 0.1$ when V_{IN} rises. (CMOS output)

Time from $V_{IN}=V_{DF} + V_{HYS}$ until $V_{RESETB}=\text{Pull-up voltage} \times 0.1$ when V_{IN} rises. (N-ch open drain output)

(*)14 Time from $V_{IN}=V_{DF}$ until $V_{RESETB}=V_{DF} \times 0.9 \times 0.9$ when V_{IN} drops. (CMOS output)

Time from $V_{IN}=V_{DF}$ until $V_{RESETB}=\text{Pull-up voltage} \times 0.9$ when V_{IN} drops. (N-ch open drain output)

ELECTRICAL CHARACTERISTICS (Continued)

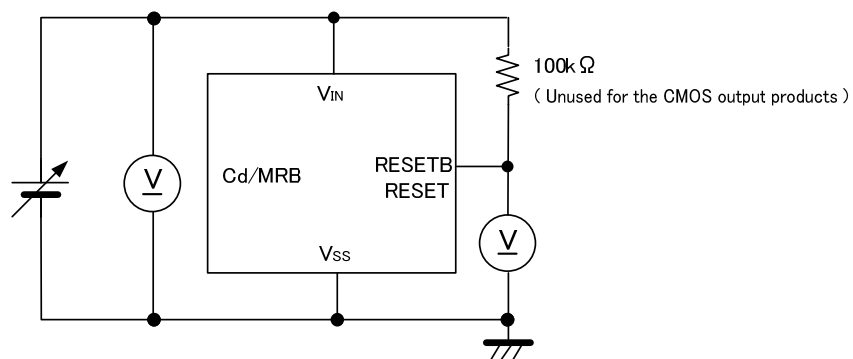
● Voltage Table

Ta=25°C

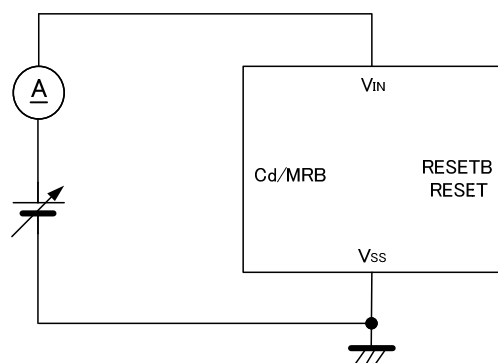
| NOMINAL DETECT VOLTAGE | E-1 | | E-2 | | | E-3 | | | E-31 | | |
|------------------------------|--------------------|--------|-------------------------------|------|------|-------------------------------|------|------|------|------|------|
| | DETECT VOLTAGE (V) | | Supply Current1 (μ A) | | | Supply Current2 (μ A) | | | | | |
| | V_{DF} | | I_{SS1} | | | I_{SS2} | | | | | |
| $V_{DF(T)}$ (V) | MIN. | MAX. | MIN. | TYP. | MAX. | MIN. | TYP. | MAX. | MIN. | TYP. | MAX. |
| 1.5 | 1.4880 | 1.5120 | - | 0.38 | 1.11 | - | 0.47 | 1.39 | - | 0.63 | 1.67 |
| 1.6 | 1.5872 | 1.6128 | | | | | | | | | |
| 1.7 | 1.6864 | 1.7136 | | | | | | | | | |
| 1.8 | 1.7856 | 1.8144 | | | | | | | | | |
| 1.9 | 1.8848 | 1.9152 | | | | | | | | | |
| 2.0 | 1.9840 | 2.0160 | | | | | | | | | |
| 2.1 | 2.0832 | 2.1168 | | | | | | | | | |
| 2.2 | 2.1824 | 2.2176 | - | 0.42 | 1.16 | - | 0.58 | 1.60 | - | 0.74 | 1.88 |
| 2.3 | 2.2816 | 2.3184 | | | | | | | | | |
| 2.4 | 2.3808 | 2.4192 | | | | | | | | | |
| 2.5 | 2.4800 | 2.5200 | | | | | | | | | |
| 2.6 | 2.5792 | 2.6208 | | | | | | | | | |
| 2.7 | 2.6784 | 2.7216 | | | | | | | | | |
| 2.8 | 2.7776 | 2.8224 | | | | | | | | | |
| 2.9 | 2.8768 | 2.9232 | | | | | | | | | |
| 3.0 | 2.9760 | 3.0240 | | | | | | | | | |
| 3.1 | 3.0752 | 3.1248 | | | | | | | | | |
| 3.2 | 3.1744 | 3.2256 | | | | | | | | | |
| 3.3 | 3.2736 | 3.3264 | | | | | | | | | |
| 3.4 | 3.3728 | 3.4272 | - | 0.47 | 1.31 | - | 0.71 | 1.90 | - | 0.87 | 2.18 |
| 3.5 | 3.4720 | 3.5280 | | | | | | | | | |
| 3.6 | 3.5712 | 3.6288 | | | | | | | | | |
| 3.7 | 3.6704 | 3.7296 | | | | | | | | | |
| 3.8 | 3.7696 | 3.8304 | | | | | | | | | |
| 3.9 | 3.8688 | 3.9312 | | | | | | | | | |
| 4.0 | 3.9680 | 4.0320 | | | | | | | | | |
| 4.1 | 4.0672 | 4.1328 | | | | | | | | | |
| 4.2 | 4.1664 | 4.2336 | | | | | | | | | |
| 4.3 | 4.2656 | 4.3344 | | | | | | | | | |
| 4.4 | 4.3648 | 4.4352 | | | | | | | | | |
| 4.5 | 4.4640 | 4.5360 | | | | | | | | | |
| 4.6 | 4.5632 | 4.6368 | | | | | | | | | |
| 4.7 | 4.6624 | 4.7376 | | | | | | | | | |
| 4.8 | 4.7616 | 4.8384 | | | | | | | | | |
| 4.9 | 4.8608 | 4.9392 | - | 0.52 | 1.41 | - | 0.83 | 2.17 | - | 0.99 | 2.45 |
| 5.0 | 4.9600 | 5.0400 | | | | | | | | | |
| 5.1 | 5.0592 | 5.1408 | | | | | | | | | |
| 5.2 | 5.1584 | 5.2416 | | | | | | | | | |
| 5.3 | 5.2576 | 5.3424 | | | | | | | | | |
| 5.4 | 5.3568 | 5.4432 | | | | | | | | | |
| 5.5 | 5.4560 | 5.5440 | | | | | | | | | |

■ TEST CIRCUITS

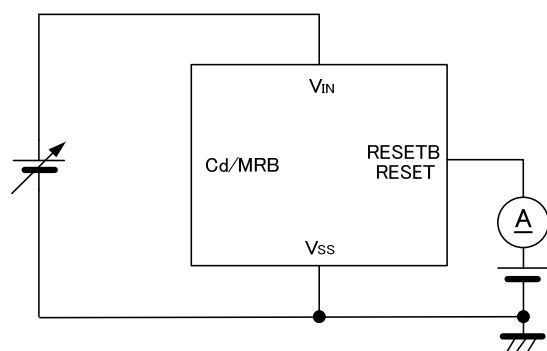
CIRCUIT①



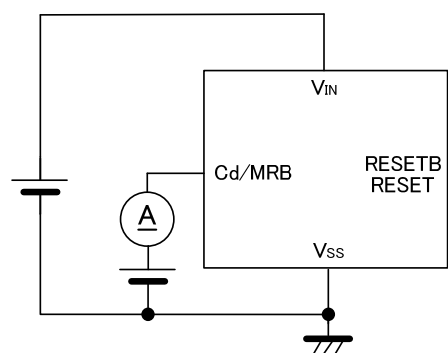
CIRCUIT②



CIRCUIT③



CIRCUIT④



TEST CIRCUITS (Continued)

CIRCUIT⑤



CIRCUIT⑥



CIRCUIT⑦



CIRCUIT⑧



OPERATIONAL DESCRIPTION

Fig. 1 shows a typical circuit Fig. 2 shows the timing chart of Fig. 1.



Fig. 1: Typical circuit (Active Low product)



Fig. 2: Timing chart of Fig. 1

(1) In the initial state, a voltage sufficiently high in relation to the release voltage is applied to the V_{IN} power input pin, and the Cd/MRB delay capacitance pin is charged to the power input pin voltage.

The power input pin voltage starts to drop, and during the interval until it reaches the detect voltage ($V_{IN} > V_{DF}$), the output pin voltage V_{RESETB} is at High level.

(2) The power input pin voltage continues to drop, and when it reaches the detect voltage ($V_{IN} = V_{DF}$), the Nch transistor for delay capacitance discharge turns ON and discharge of the delay capacitance starts.

When the delay capacitance pin drops below the delay capacitance pin threshold voltage, V_{RESETB} changes to Low level.

The time from $V_{IN} = V_{DF}$ until V_{RESETB} changes to Low level is the detect delay t_{DF} (the detect time when the delay capacitance pin is open is t_{DF0}).

■ OPERATIONAL DESCRIPTION (Continued)

- (3) The power input pin voltage drops further, and during the interval when it is below the detect voltage V_{DF} and higher than 1.3V, the delay capacitance pin is discharged to ground level and the output pin voltage V_{RESETB} maintains Low level.
- (4) During the interval in which the power input pin voltage drops below 1.3V and then rises back to 1.3V or higher, the output pin voltage V_{RESETB} may not be able to maintain Low level. Operation during this interval is called “unstable operation”, and the voltage that appears in V_{RESETB} is called the “unstable operation voltage V_{UNST} ”.
- (5) The power input pin voltage rises, and during the interval that it is higher than 1.3V until it reaches the release voltage ($1.3V \leq V_{IN} < V_{DF} + V_{HYS}$), the output pin voltage V_{RESETB} maintains Low level.
- (6) The power input pin voltage continues to rise, and when it reaches the release voltage ($V_{DF} + V_{HYS}$), the Nch transistor for delay capacitance discharge turns OFF and charging of the delay capacitance pin through delay resistor R_p starts.
- (7) During the interval that the power input pin voltage continues to maintain a voltage higher than the release voltage, the delay capacitance pin is charged up to the power input pin voltage.
When the delay capacitance pin voltage reaches V_{TCD} , the output pin voltage V_{RESETB} changes to High level.
The time from $V_{IN} = V_{DF} + V_{HYS}$ until V_{RESETB} changes to High level is the release delay time t_{DR} (the release time when the delay capacitance pin is open is t_{DR0}).
- (8) During the time that the power input pin voltage is higher than the detect voltage ($V_{IN} > V_{DF}$), the output pin voltage V_{RESETB} maintains High level.

The above operational explanation is for detection using Active Low products.
For Active High products, reverse the logic of V_{RESETB} .

■ OPERATIONAL DESCRIPTION (Continued)

<Release delay time / detect delay time>

The release delay time and detect delay time are determined by the delay resistance (Rp and Rn) and the delay capacitance (Cd). The delay resistance is set to 2MΩ (TYP.) internally in the circuit, and thus the delay time can be changed using the delay capacitance.

You can select a product type that has or does not have the release delay time function and the detect delay time function. (Refer to the Selection Guide.)

The release delay t_{DR} is calculated using equation (1).

$$t_{DR} = R_p \times C_d \times \{-\ln(1 - V_{TCD}/V_{IN})\} + t_{DR0} \dots (1) \quad * \ln \text{ is the natural logarithm.}$$

Rn : Delay resistance 2.0MΩ (TYP.)

V_{TCD} : Delay capacitance pin threshold voltage $V_{IN}/2$ (TYP.)

When t_{DR0} can be neglected, this can be calculated in a simple manner using equation (2).

$$t_{DR} = R_p \times C_d \times [-\ln\{1 - (V_{IN}/2)/V_{IN}\}] = R_p \times C_d \times 0.693 \dots (2)$$

Example: When the delay capacitance Cd is 0.68μF, the release delay time t_{DR} is $2.0 \times 10^6 \times 0.68 \times 10^{-6} \times 0.693 = 942(\text{ms})$.

The detect delay t_{DF} is calculated using equation (3).

$$t_{DF} = R_n \times C_d \times \{-\ln(V_{TCD}/V_{IN1})\} + t_{DF0} \dots (3) \quad * \ln \text{ is the natural logarithm.}$$

Rn: Delay resistance 2.0MΩ (TYP.)

V_{TCD} : Delay capacitance pin threshold voltage $V_{IN2}/2$ (TYP.) * V_{IN2} is the power input pin voltage at detection.

V_{IN1} : Power input pin voltage at release

When $V_{IN} = V_{DF} \times 1.1V \rightarrow V_{DF} \times 0.9V$ and t_{DF0} can be neglected, this can be calculated in a simple manner using equation (4).

$$t_{DF} = R_n \times C_d \times \{-\ln(V_{IN2}/2)/V_{IN1}\} = R_n \times C_d \times [-\ln\{(V_{DF} \times 0.9 \times 0.5)/(V_{DF} \times 1.1)\}] = R_n \times C_d \times 0.894 \dots (4)$$

For details of the detect delay time of equation (4), refer to Fig. 3.

Example: When the delay capacitance Cd is 0.68μF at $V_{IN} = V_{DF} \times 1.1V \rightarrow V_{DF} \times 0.9V$, the detect delay time t_{DF} is $2.0 \times 10^6 \times 0.68 \times 10^{-6} \times 0.894 = 1216(\text{ms})$.



Fig. 3: Detect delay time of equation (4) (timing chart)

Delay time table

| Delay capacitance Cd (μF) | Release delay time t_{DR} (ms) ⁽¹⁾ | | Detect delay time t_{DF} (ms) ⁽¹⁾ | |
|------------------------------|-------------------------------------------------|---------------------------|------------------------------------------------|---------------------------|
| | TYP. | MIN.toMAX. ⁽²⁾ | TYP. | MIN.toMAX. ⁽²⁾ |
| 0.01 | 13.9 | 10.4 to 17.7 | 17.9 | 12.7 to 22.0 |
| 0.022 | 30.5 | 22.9 to 38.9 | 39.3 | 28.0 to 48.4 |
| 0.047 | 65.1 | 48.9 to 83.0 | 84.0 | 59.8 to 103.3 |
| 0.1 | 139 | 104 to 177 | 179 | 127 to 220 |
| 0.22 | 305 | 229 to 389 | 393 | 280 to 484 |
| 0.47 | 651 | 489 to 830 | 840 | 598 to 1033 |
| 1 | 1386 | 1042 to 1766 | 1788 | 1274 to 2198 |

The release delay time values are the values calculated from equation (2).

The detect delay time values are the values calculated from equation (4).

⁽¹⁾ Note that the delay time will vary depending on the actual capacitance value of the delay capacitance Cd.

⁽²⁾ The values are calculated with consideration given to deviations in the delay resistance and delay capacitance pin threshold voltage.

OPERATIONAL DESCRIPTION (Continued)

<Manual reset function>

The reset output pin signal can be forced into the detect state by inputting a voltage into the delay capacitance pin when in the release state.

When the delay capacitance pin voltage input reaches an H→L level signal, the reset output pin outputs an H→L level signal.
(RESETB: Active Low type)

When the delay capacitance pin voltage input reaches an H→L level signal, the reset output pin outputs an L→H level signal.
(RESET: Active High type)

* During manual reset, there is no delay time even when a delay capacitance is connected.

* When the delay capacitance pin voltage input reaches an L→H level signal in the detection state, the reset output pin outputs an L→H level signal.

(RESETB: Active Low type)

* When the delay capacitance pin voltage input reaches an L→H level signal in the detection state, the reset output pin outputs an H→L level signal.

(RESET: Active High type)

Under the detect condition, the condition will be kept even if the RESET switch turns on and off.

In the case that either H level or L level is fed to the Cd/MRB pin without the RESET switch, the behavior of the XC6129 follows the timing chart in Fig. 4.

L level is fed to the MRB pin under the detect condition, the RESET switch will be kept.

H level is fed to the MRB pin under the detect condition, the RESET switch will be undefined.

Even though the voltage at the V_{SEN} pin changes from a higher voltage than the detect voltage to a lower voltage, as long as H level is fed to the MRB pin, the release condition is kept.

If H level or L level is fed to the Cd/MRB pin forcibly, then even though Cd is connected to the pin, the XC6129 can't have any delay time.

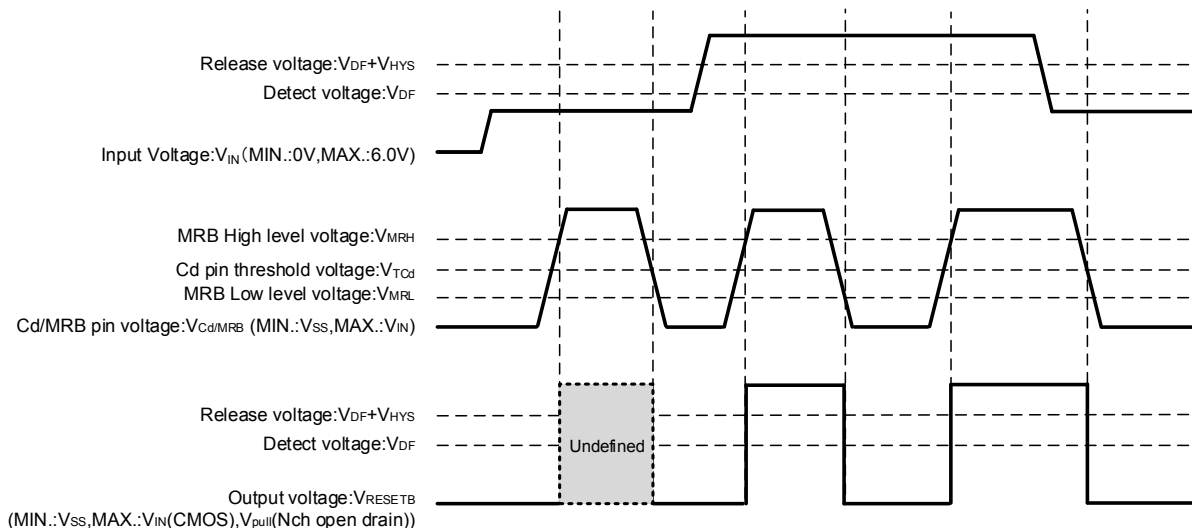


Fig. 4: Manual reset operation by the delay capacitance pin (Active Low product)

<Unstable operation prevention function>

Types B/D/F of the XC6129C series include an unstable operation prevention function.

When the power input pin voltage is less than the minimum operation voltage, the output pin voltage due to unstable operation is limited to 0.4V (MAX.) or less.

* Types A/C/E of the XC6129C series and each of the XC6129N series do not have an unstable operation prevention function.

NOTE ON USE

- 1) Please use this IC within the stated maximum ratings. For temporary, transitional voltage drop or voltage rising phenomenon, the IC is liable to malfunction should the ratings be exceeded.
- 2) The power input pin voltage may fall due to the flow through current during IC operation and the resistance component between the power supply and the power input pin.
In the case of CMOS output, a drop in the power input pin voltage may occur in the same way due to the output current. When this happens, if the power input pin voltage drops below the minimum operating voltage, malfunctioning may occur.
In addition, when the power input pin voltage is below the detect voltage, the output pin voltage may oscillate. Exercise caution in particular if a resistor is connected to the power input pin.
- 3) Note that large, sharp changes of the power input pin voltage may cause malfunctioning.
- 4) Power supply noise is sometimes a cause of malfunctioning. Sufficiently test using the actual device, such as inserting a capacitor between V_{IN} and GND.
- 5) If a capacitor is connected to the delay capacitance pin and the power input pin voltage drops suddenly during release operation (for example, from 6.0V to 0V), there is a possibility that the delay capacitance pin voltage will exceed the absolute maximum rating. If there is a possibility that the power input pin voltage will drop suddenly during release operation, connect a Schottky diode between the power input pin and delay capacitance pin as shown in Fig. 5.



Fig. 5: Circuit example with a Schottky diode connected to the delay capacitance pin

- 6) When an N-ch open drain output is used, the V_{RESETB} voltage at detection and release is determined by the pull-up resistance connected to the output pin. Refer to the following when selecting the resistance value.

At detection:

$$V_{RESETB} = V_{pull} / (1 + R_{pull} / R_{ON})$$

V_{pull} : Voltage after pull-up

$R_{ON}^{(*)}$: ON resistance of N-ch driver M3 (calculated from V_{RESETB} / I_{RBOUT1} based on electrical characteristics)

Example: When $V_{IN} = 2.0V^{(**)}$, $R_{ON} = 0.5 / 5.2 \times 10^{-3} = 96\Omega$ (MAX.). If it is desired to make V_{RESETB} at detection 0.1V or less when V_{pull} is 3.0V,
 $R_{pull} = (V_{pull} / V_{RESETB} - 1) \times R_{ON} = (3 / 0.1 - 1) \times 96 \approx 2.8k\Omega$

Therefore, to make the output voltage at detection 0.1V or less under the above conditions, the pull-up resistance must be 2.8kΩ or higher.

(*) Note that R_{ON} becomes larger as V_{IN} becomes smaller.

(**) For V_{IN} in the calculation, use the lowest value of the input voltage range you will use.

At release:

$$V_{RESETB} = V_{pull} / (1 + R_{pull} / R_{off})$$

V_{pull} : Voltage after pull-up

R_{off} : Resistance when N-ch driver M3 is OFF (calculated from V_{RESETB} / I_{LEAK} based on electrical characteristics)

Example: When V_{pull} is 6.0V, $R_{off} = 6 / (0.1 \times 10^{-6}) = 60M\Omega$ (MIN.). If it is desired to make V_{RESETB} 5.99V or higher,

$$R_{pull} = (V_{pull} / V_{RESETB} - 1) \times R_{off} = (6 / 5.99 - 1) \times 60 \times 10^6 \approx 100k\Omega$$

Therefore, to make the output voltage at release 5.99V or higher under the above conditions, the pull-up resistance must be 100kΩ or less.

■ NOTE ON USE (Continued)

- 7) If the discharge time of the delay capacitance C_d at detection is short and the delay capacitance C_d cannot be discharged to ground level, charging will take place at the next release operation with electric charge remaining in the delay capacitance C_d , and this may cause the release delay time to become noticeably short.
- 8) If the charging time of the delay capacitance C_d at release is short and the delay capacitance C_d cannot be charged to the V_{IN} level, the delay capacitance C_d will discharge from less than the V_{IN} level at the next detection operation, and this may cause the detect delay time to become noticeably short.
- 9) Even with a non-delay type, a delay time is added when a delay capacitance C_d is connected.
- 10) For a manual reset function, in case when the function is activated by feeding either MRB H level or MRB L level to C_d /MRB pin instead of using a reset switch, please note these phenomena below;
 - The RESET output signal will be undefined when MRB H is fed to C_d /MRB pin under the detect condition.
 - The RESET output signal will be undefined based on the voltage relationship between V_{SEN} pin and C_d /MRB pin.
- 11) Torex places an importance on improving our products and their reliability.
We request that users incorporate fail-safe designs and post-aging protection treatment when using Torex products in their systems.

TYPICAL PERFORMANCE CHARACTERISTICS

(1) Detect, Release Voltage vs. Ambient Temperature

XC6129 ($V_{DF(T)}=1.5V$)



XC6129 ($V_{DF(T)}=2.7V$)



(2) Detect, Release Voltage vs. Input Voltage

XC6129 ($V_{DF(T)}=5.5V$)



XC6129C ($V_{DF(T)}=1.5V$)



XC6129C ($V_{DF(T)}=2.7V$)

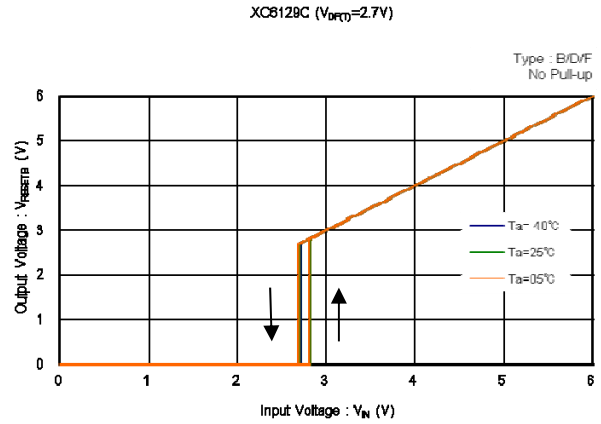


XC6129C ($V_{DF(T)}=5.5V$)



TYPICAL PERFORMANCE CHARACTERISTICS (Continued)

(2) Detect, Release Voltage vs. Input Voltage (Continued)

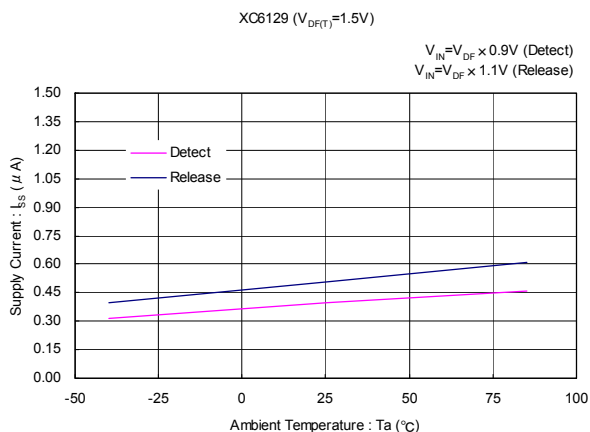


(3) Supply Current vs. Input Voltage

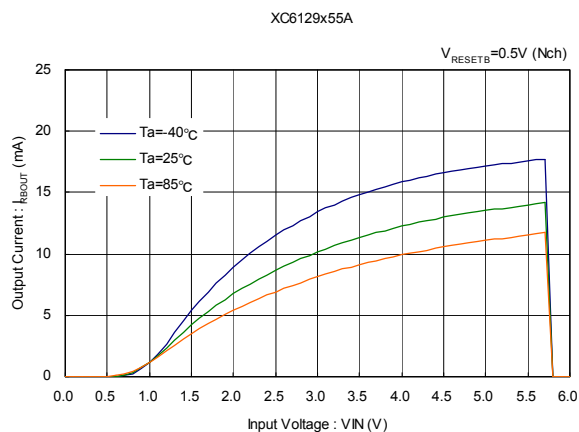
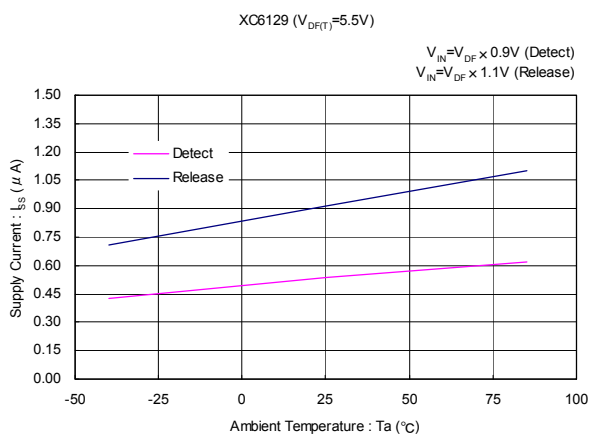


TYPICAL PERFORMANCE CHARACTERISTICS (Continued)

(4) Supply Current vs. Ambient Temperature

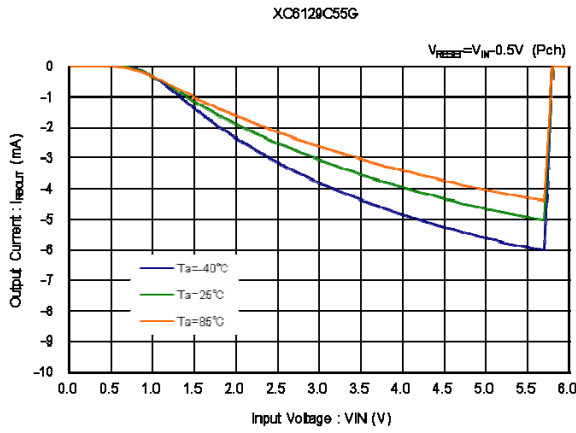


(5) Output Current vs. Input Voltage

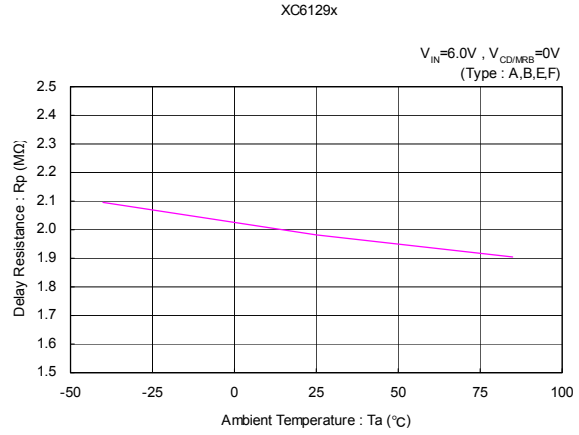


TYPICAL PERFORMANCE CHARACTERISTICS (Continued)

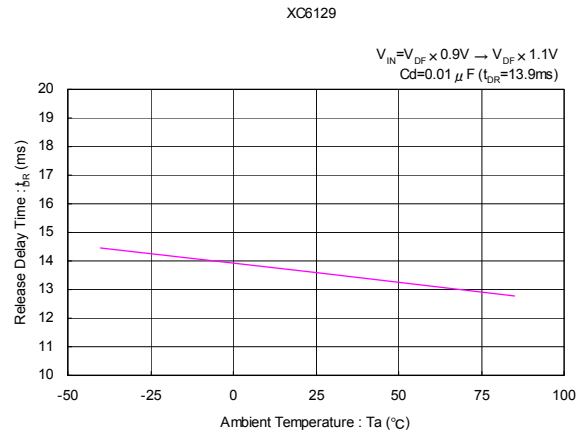
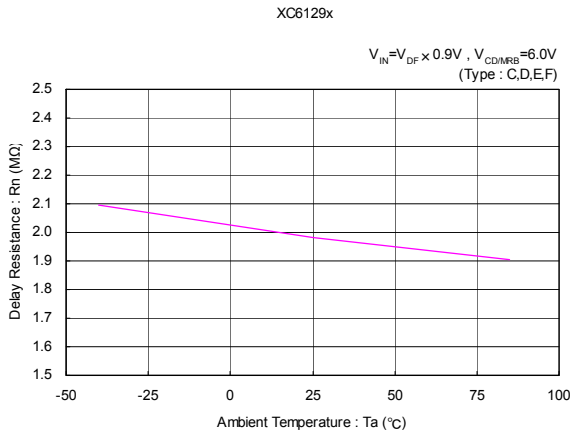
(5) Output Current vs. Input Voltage (Continued)



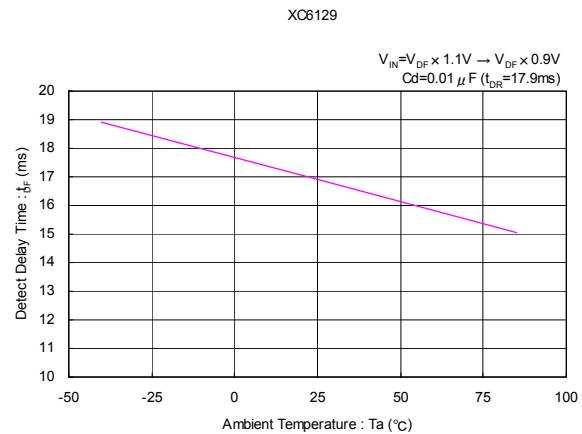
(6) Delay Resistance vs. Ambient Temperature



(7) Release Delay Time vs. Ambient Temperature



(8) Detect Delay Time vs. Ambient Temperature



TYPICAL PERFORMANCE CHARACTERISTICS (Continued)

(8) Detect Delay Time vs. Ambient Temperature (Continued)



(9) Cd pin MRB High Level Voltage vs. Ambient Temperature



(10) Cd pin MRB High Level Voltage vs. Input Voltage



(11) Cd pin MRB Low Level Voltage vs. Ambient Temperature



(12) Cd pin MRB Low Level Voltage vs. Input Voltage



PACKAGING INFORMATION

unit: mm

●USPN-4



●USPN-4 Reference Pattern Layout



●USPN-4 Reference Metal Mask Design



●SSOT-24



● **SSOT-24 Power Dissipation**

Power dissipation data for the SSOT-24 is shown in this page.
The value of power dissipation varies with the mount board conditions.
Please use this data as the reference data taken in the following condition.

1. Measurement Condition

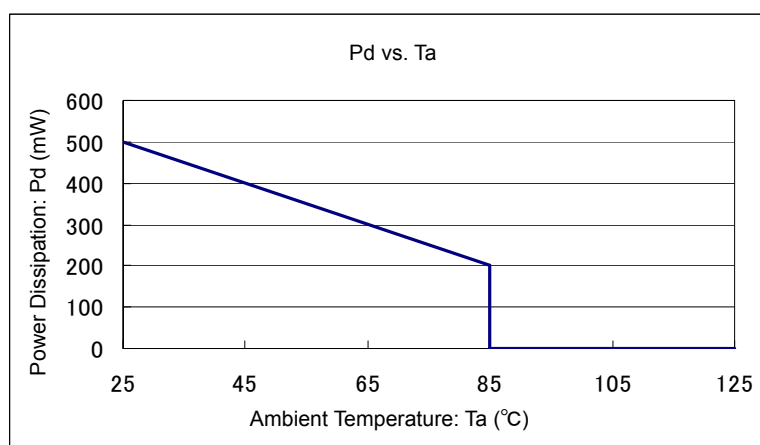
- Condition: Mount on a board
- Ambient: Natural convection
- Soldering: Lead (Pb) free
- Board: Dimensions 40×40mm (1600mm² in one side)
Copper (Cu) traces occupy 50% of the board area in top and back faces
Package heat-sink is tied to the copper traces
- Material: Glass Epoxy (FR-4)
- Thickness: 1.6mm
- Through-hole: 4 x 0.8 Diameter



2. Power Dissipation vs. Ambient Temperature

Ambient Temperature (T_{jmax}=125°C)

| Ambient Temperature (°C) | Power Dissipation Pd (mW) | Thermal Resistance (°C/W) |
|--------------------------|---------------------------|---------------------------|
| 25 | 500 | 200.00 |
| 85 | 200 | |



●USPN-4 Power Dissipation

Power dissipation data for the USPN-4 is shown in this page.
 The value of power dissipation varies with the mount board conditions.
 Please use this data as the reference data taken in the following condition.

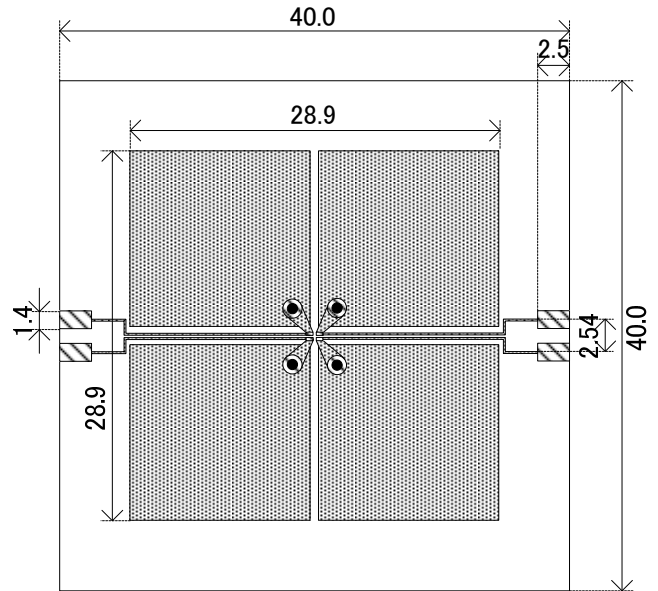
1. Measurement Condition

- Condition: Mount on a board
- Ambient: Natural convection
- Soldering: Lead (Pb) free
- Board: Dimensions 40×40mm (1600mm² in one side)
 Copper (Cu) traces occupy 50% of the front and 50% of the back is 12.5% of total.
 The copper area is divided into four block,
 one block is 12.5% of total.
 The USPN-4 package has for terminals.
 Each terminal connects one copper block in the front and one in the back.

Material: Glass Epoxy (FR-4)

Thickness: 1.6mm

Through-hole: 4 x 0.8 Diameter

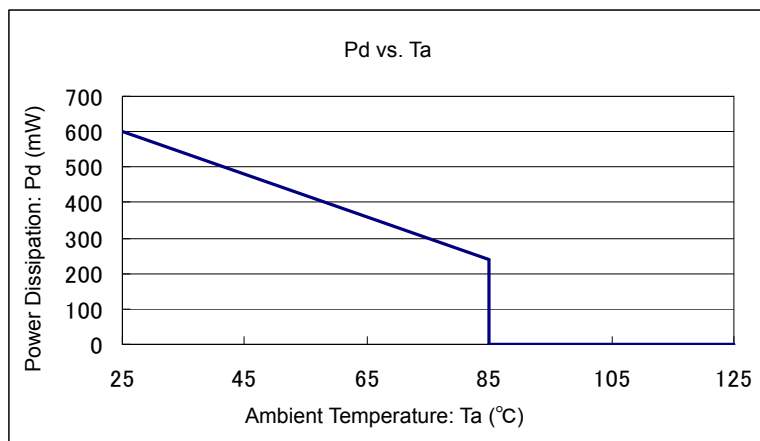


Evaluation Board (Unit: mm)

2. Power Dissipation vs. Ambient Temperature

Board Mount (T_{jmax}=125°C)

| Ambient Temperature (°C) | Power Dissipation Pd (mW) | Thermal Resistance (°C/W) |
|--------------------------|---------------------------|---------------------------|
| 25 | 600 | 166.67 |
| 85 | 240 | |



MARKING RULE

●SSOT-24
(with underline mark)



Indicates mark (1) product series. Indicates the detect voltage range and output type.
Mark (1)-1 (XC6129C****-G is underline mark specification.)

| MARK | OUTPUT | DETECT VOLTAGE RANGE (V) | TYPE | PRODUCT SERIES |
|----------|--------|--------------------------|-------------|----------------------------------|
| <u>0</u> | CMOS | Odd number | A | XC6129C15A**-G to XC6129C55A**-G |
| <u>1</u> | | | B | XC6129C15B**-G to XC6129C55B**-G |
| <u>2</u> | | | C | XC6129C15C**-G to XC6129C55C**-G |
| <u>3</u> | | | D | XC6129C15D**-G to XC6129C55D**-G |
| <u>4</u> | | | E | XC6129C15E**-G to XC6129C55E**-G |
| <u>5</u> | | | F | XC6129C15F**-G to XC6129C55F**-G |
| <u>6</u> | | | G | XC6129C15G**-G to XC6129C55G**-G |
| <u>8</u> | | | J | XC6129C15J**-G to XC6129C55J**-G |
| <u>A</u> | | | L | XC6129C15L**-G to XC6129C55L**-G |
| <u>C</u> | | | Even number | A |
| <u>D</u> | | B | | XC6129C16B**-G to XC6129C54B**-G |
| <u>E</u> | | C | | XC6129C16C**-G to XC6129C54C**-G |
| <u>F</u> | | D | | XC6129C16D**-G to XC6129C54D**-G |
| <u>H</u> | | E | | XC6129C16E**-G to XC6129C54E**-G |
| <u>K</u> | | F | | XC6129C16F**-G to XC6129C54F**-G |
| <u>L</u> | | G | | XC6129C16G**-G to XC6129C54G**-G |
| <u>N</u> | | J | | XC6129C16J**-G to XC6129C54J**-G |
| <u>R</u> | | L | | XC6129C16L**-G to XC6129C54L**-G |

●SSOT-24
(with overline mark)



Mark (1)-2 (XC6129N****-G is overline mark specification.)

| MARK | OUTPUT | DETECT VOLTAGE RANGE (V) | TYPE | PRODUCT SERIES |
|----------|--------|--------------------------|-------------|----------------------------------|
| <u>0</u> | N-ch | Odd number | A | XC6129N15A**-G to XC6129N55A**-G |
| <u>1</u> | | | B | XC6129N15B**-G to XC6129N55B**-G |
| <u>2</u> | | | C | XC6129N15C**-G to XC6129N55C**-G |
| <u>3</u> | | | D | XC6129N15D**-G to XC6129N55D**-G |
| <u>4</u> | | | E | XC6129N15E**-G to XC6129N55E**-G |
| <u>5</u> | | | F | XC6129N15F**-G to XC6129N55F**-G |
| <u>6</u> | | | G | XC6129N15G**-G to XC6129N55G**-G |
| <u>8</u> | | | J | XC6129N15J**-G to XC6129N55J**-G |
| <u>A</u> | | | L | XC6129N15L**-G to XC6129N55L**-G |
| <u>C</u> | | | Even number | A |
| <u>D</u> | | B | | XC6129N16B**-G to XC6129N54B**-G |
| <u>E</u> | | C | | XC6129N16C**-G to XC6129N54C**-G |
| <u>F</u> | | D | | XC6129N16D**-G to XC6129N54D**-G |
| <u>H</u> | | E | | XC6129N16E**-G to XC6129N54E**-G |
| <u>K</u> | | F | | XC6129N16F**-G to XC6129N54F**-G |
| <u>L</u> | | G | | XC6129N16G**-G to XC6129N54G**-G |
| <u>N</u> | | J | | XC6129N16J**-G to XC6129N54J**-G |
| <u>R</u> | | L | | XC6129N16L**-G to XC6129N54L**-G |

MARKING RULE (Continued)

② represents detect voltage

| MARK | DETECT VOLTEGE(V) | | MARK | DETECT VOLTEGE(V) | | MARK | DETECT VOLTEGE(V) | |
|------|-------------------|-----|------|-------------------|-----|------|-------------------|-----|
| A | 1.5 | 1.6 | K | 2.9 | 3.0 | T | 4.3 | 4.4 |
| B | 1.7 | 1.8 | L | 3.1 | 3.2 | U | 4.5 | 4.6 |
| C | 1.9 | 2.0 | M | 3.3 | 3.4 | V | 4.7 | 4.8 |
| D | 2.1 | 2.2 | N | 3.5 | 3.6 | X | 4.9 | 5.0 |
| E | 2.3 | 2.4 | P | 3.7 | 3.8 | Y | 5.1 | 5.2 |
| F | 2.5 | 2.6 | R | 3.9 | 4.0 | Z | 5.3 | 5.4 |
| H | 2.7 | 2.8 | S | 4.1 | 4.2 | 0 | 5.5 | - |

③,④ represents production lot number

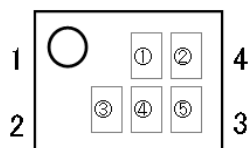
01~09, 0A~0Z, 11~9Z, A1~A9, AA~AZ, B1~ZZ repeated.

(G, I, J, O, Q, W excluded)

* No character inversion used.

MARKING RULE (Continued)

●USPN-4



① represents detect voltage

| MARK | OUTPUT | PRODUCT SERIES |
|------|--------|----------------|
| K | CMOS | XC6129C****-G |
| L | N-ch | XC6129N****-G |

② represents detect voltage range and product series

| MARK | DETECT VOLTAGE RANGE (V) | TYPE | PRODUCT SERIES |
|------|--------------------------|---------------------------------|---------------------------------|
| 0 | Odd number | A | XC6129*15A**-G ~ XC6129*55A**-G |
| 1 | | B | XC6129*15B**-G ~ XC6129*55B**-G |
| 2 | | C | XC6129*15C**-G ~ XC6129*55C**-G |
| 3 | | D | XC6129*15D**-G ~ XC6129*55D**-G |
| 4 | | E | XC6129*15E**-G ~ XC6129*55E**-G |
| 5 | | F | XC6129*15F**-G ~ XC6129*55F**-G |
| 6 | | G | XC6129*15G**-G ~ XC6129*55G**-G |
| 8 | | J | XC6129*15J**-G ~ XC6129*55J**-G |
| A | | L | XC6129*15L**-G ~ XC6129*55L**-G |
| C | | Even number | A |
| D | B | | XC6129*16B**-G ~ XC6129*54B**-G |
| E | C | | XC6129*16C**-G ~ XC6129*54C**-G |
| F | D | | XC6129*16D**-G ~ XC6129*54D**-G |
| H | E | | XC6129*16E**-G ~ XC6129*54E**-G |
| K | F | | XC6129*16F**-G ~ XC6129*54F**-G |
| L | G | | XC6129*16G**-G ~ XC6129*54G**-G |
| N | J | | XC6129*16J**-G ~ XC6129*54J**-G |
| R | L | XC6129*16L**-G ~ XC6129*54L**-G | |

③ represents detect voltage

| MARK | DETECT VOLTEGE(V) | | MARK | DETECT VOLTEGE(V) | | MARK | DETECT VOLTEGE(V) | |
|------|-------------------|-----|------|-------------------|-----|------|-------------------|-----|
| A | 1.5 | 1.6 | K | 2.9 | 3.0 | T | 4.3 | 4.4 |
| B | 1.7 | 1.8 | L | 3.1 | 3.2 | U | 4.5 | 4.6 |
| C | 1.9 | 2.0 | M | 3.3 | 3.4 | V | 4.7 | 4.8 |
| D | 2.1 | 2.2 | N | 3.5 | 3.6 | X | 4.9 | 5.0 |
| E | 2.3 | 2.4 | P | 3.7 | 3.8 | Y | 5.1 | 5.2 |
| F | 2.5 | 2.6 | R | 3.9 | 4.0 | Z | 5.3 | 5.4 |
| H | 2.7 | 2.8 | S | 4.1 | 4.2 | 0 | 5.5 | - |

④,⑤ represents production lot number

01~09, 0A~0Z, 11~9Z, A1~A9, AA~AZ, B1~ZZ repeated.

(G, I, J, O, Q, W excluded)

* No character inversion used.

1. The products and product specifications contained herein are subject to change without notice to improve performance characteristics. Consult us, or our representatives before use, to confirm that the information in this datasheet is up to date.
2. We assume no responsibility for any infringement of patents, patent rights, or other rights arising from the use of any information and circuitry in this datasheet.
3. Please ensure suitable shipping controls (including fail-safe designs and aging protection) are in force for equipment employing products listed in this datasheet.
4. The products in this datasheet are not developed, designed, or approved for use with such equipment whose failure or malfunction can be reasonably expected to directly endanger the life of, or cause significant injury to, the user.
(e.g. Atomic energy; aerospace; transport; combustion and associated safety equipment thereof.)
5. Please use the products listed in this datasheet within the specified ranges.
Should you wish to use the products under conditions exceeding the specifications, please consult us or our representatives.
6. We assume no responsibility for damage or loss due to abnormal use.
7. All rights reserved. No part of this datasheet may be copied or reproduced without the prior permission of TOREX SEMICONDUCTOR LTD.

TOREX SEMICONDUCTOR LTD.



Компания «ЭлектроПласт» предлагает заключение долгосрочных отношений при поставках импортных электронных компонентов на взаимовыгодных условиях!

Наши преимущества:

- Оперативные поставки широкого спектра электронных компонентов отечественного и импортного производства напрямую от производителей и с крупнейших мировых складов;
- Поставка более 17-ти миллионов наименований электронных компонентов;
- Поставка сложных, дефицитных, либо снятых с производства позиций;
- Оперативные сроки поставки под заказ (от 5 рабочих дней);
- Экспресс доставка в любую точку России;
- Техническая поддержка проекта, помощь в подборе аналогов, поставка прототипов;
- Система менеджмента качества сертифицирована по Международному стандарту ISO 9001;
- Лицензия ФСБ на осуществление работ с использованием сведений, составляющих государственную тайну;
- Поставка специализированных компонентов (Xilinx, Altera, Analog Devices, Intersil, Interpoint, Microsemi, Aeroflex, Peregrine, Syfer, Eurofarad, Texas Instrument, Miteq, Cobham, E2V, MA-COM, Hittite, Mini-Circuits, General Dynamics и др.);

Помимо этого, одним из направлений компании «ЭлектроПласт» является направление «Источники питания». Мы предлагаем Вам помощь Конструкторского отдела:

- Подбор оптимального решения, техническое обоснование при выборе компонента;
- Подбор аналогов;
- Консультации по применению компонента;
- Поставка образцов и прототипов;
- Техническая поддержка проекта;
- Защита от снятия компонента с производства.



Как с нами связаться

Телефон: 8 (812) 309 58 32 (многоканальный)

Факс: 8 (812) 320-02-42

Электронная почта: org@eplast1.ru

Адрес: 198099, г. Санкт-Петербург, ул. Калинина, дом 2, корпус 4, литера А.