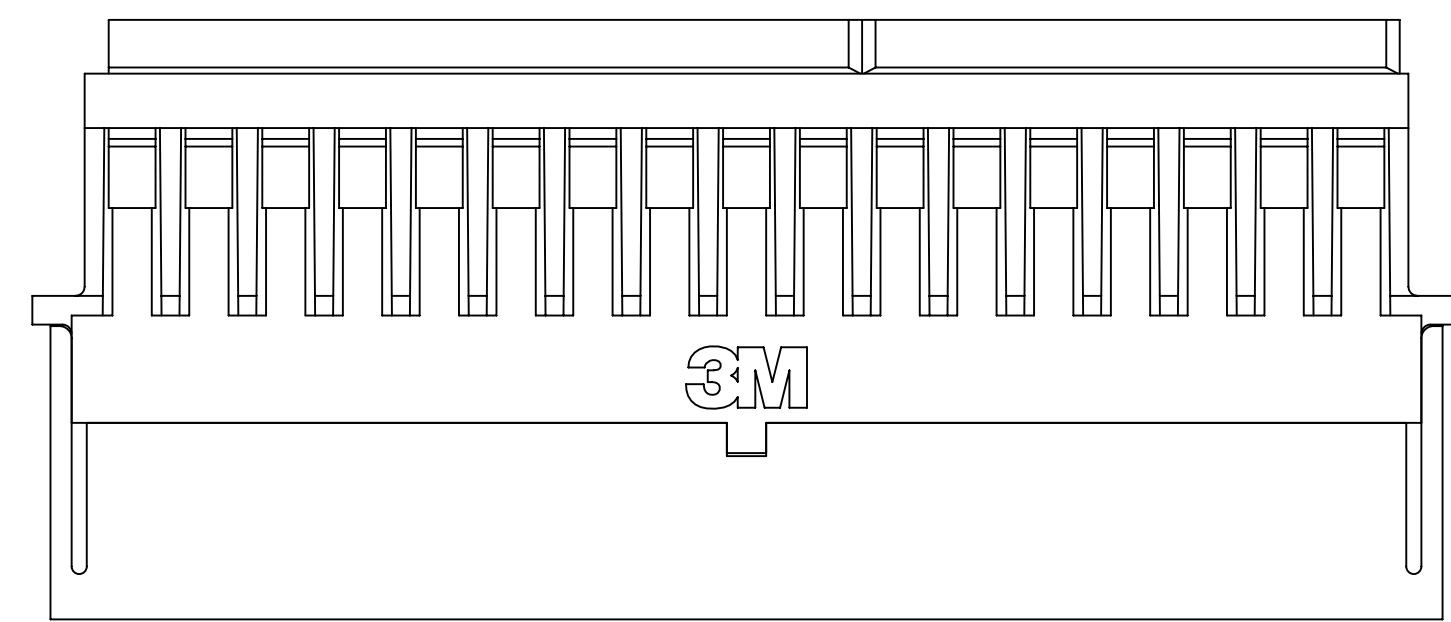
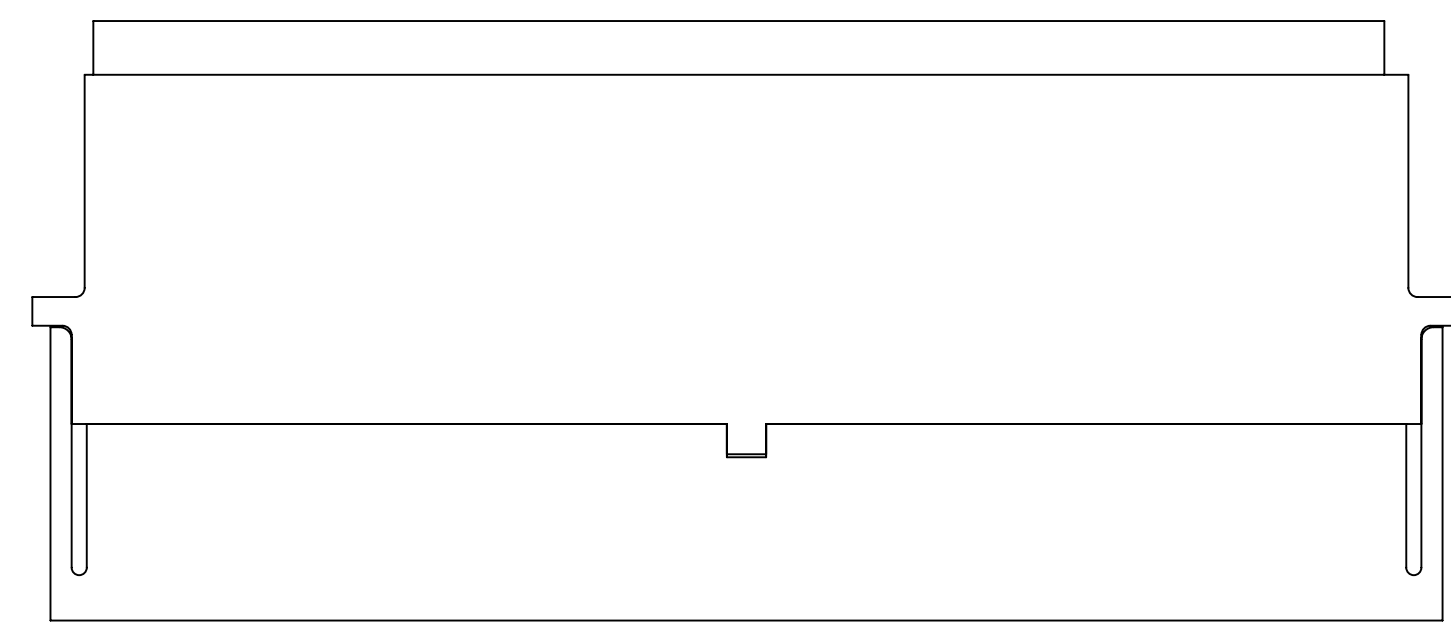


# 3M™ SHIELDED CONTROLLED IMPEDANCE (SCI)

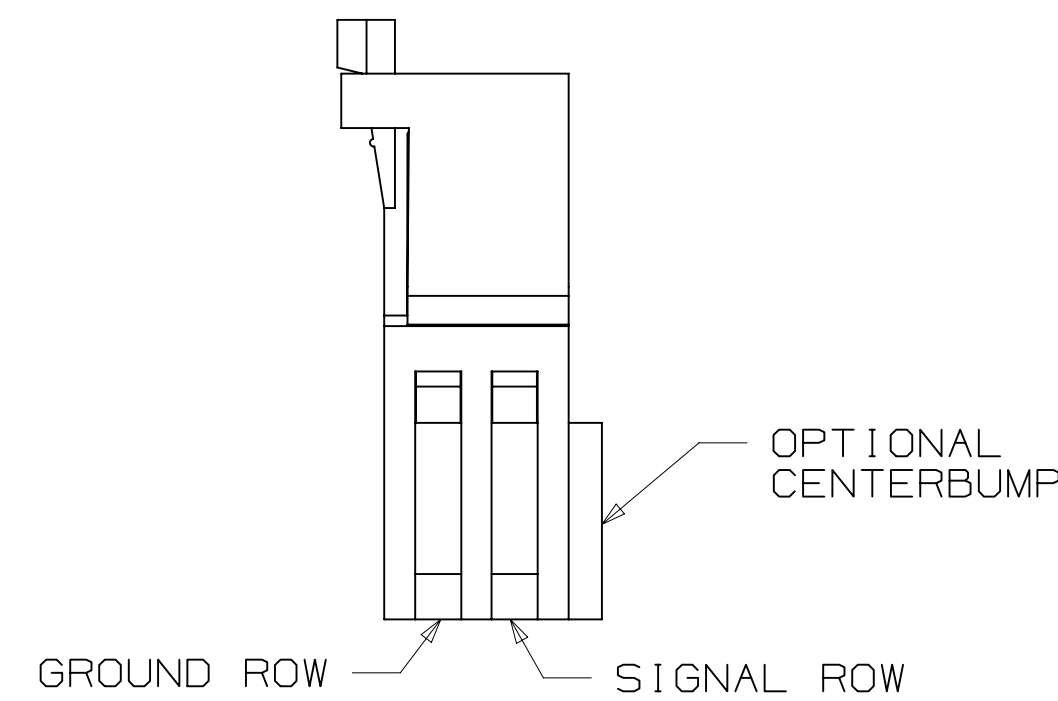
.100" ASSEMBLY HARDWARE



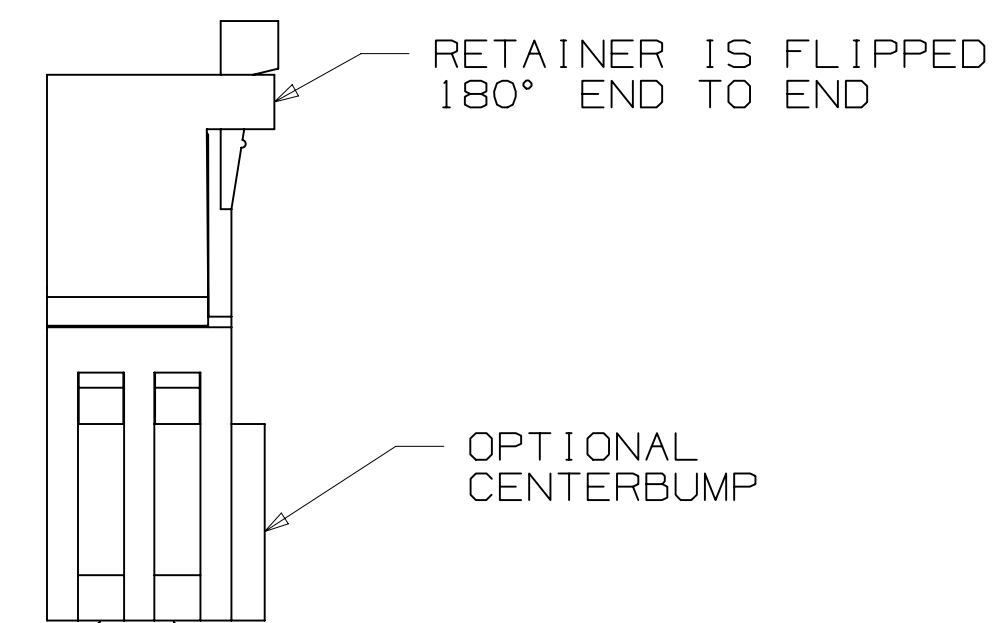
98XX-PSMO  
NORMAL "MO" RETENTION STYLE



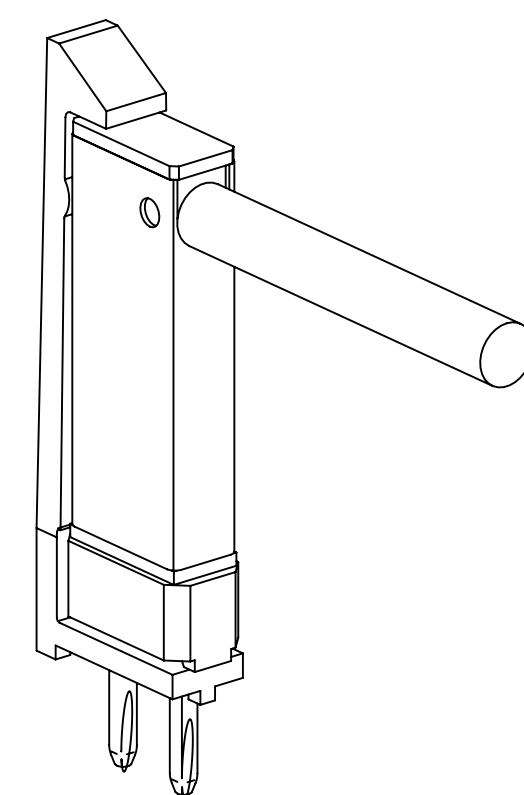
98XX-PSMR  
REVERSE "MR" RETENTION STYLE



SIGNAL ROW GROUND ROW



SIGNAL ROW GROUND ROW



NOTE:  
1) PIN STRIP LATCH IS FOR USE WITH  
.100 SCI, RIGHT ANGLE CONNECTOR  
TYPE 22 ONLY.  
(SEE TECH SHEET TS-0803)

## 2 ROW CARRIER HOUSING

- \* CARRIERS AVAILABLE IN 3M .100" X .100" (2.54MM X 2.54MM) SOCKET.
- \* COMPATIBLE WITH ALL 3M .100" X .100" (2.54MM X 2.54MM) HEADERS.
- \* AVAILABLE IN SHORT OR LONG LATCH STYLES. CHECK STYLE FOR MATCH.

## 3 X 7 CARRIER HOUSING

- \* INTEGRAL LOCKING FEATURE.
- \* INCLUDES TWO RETENTION CLIPS.

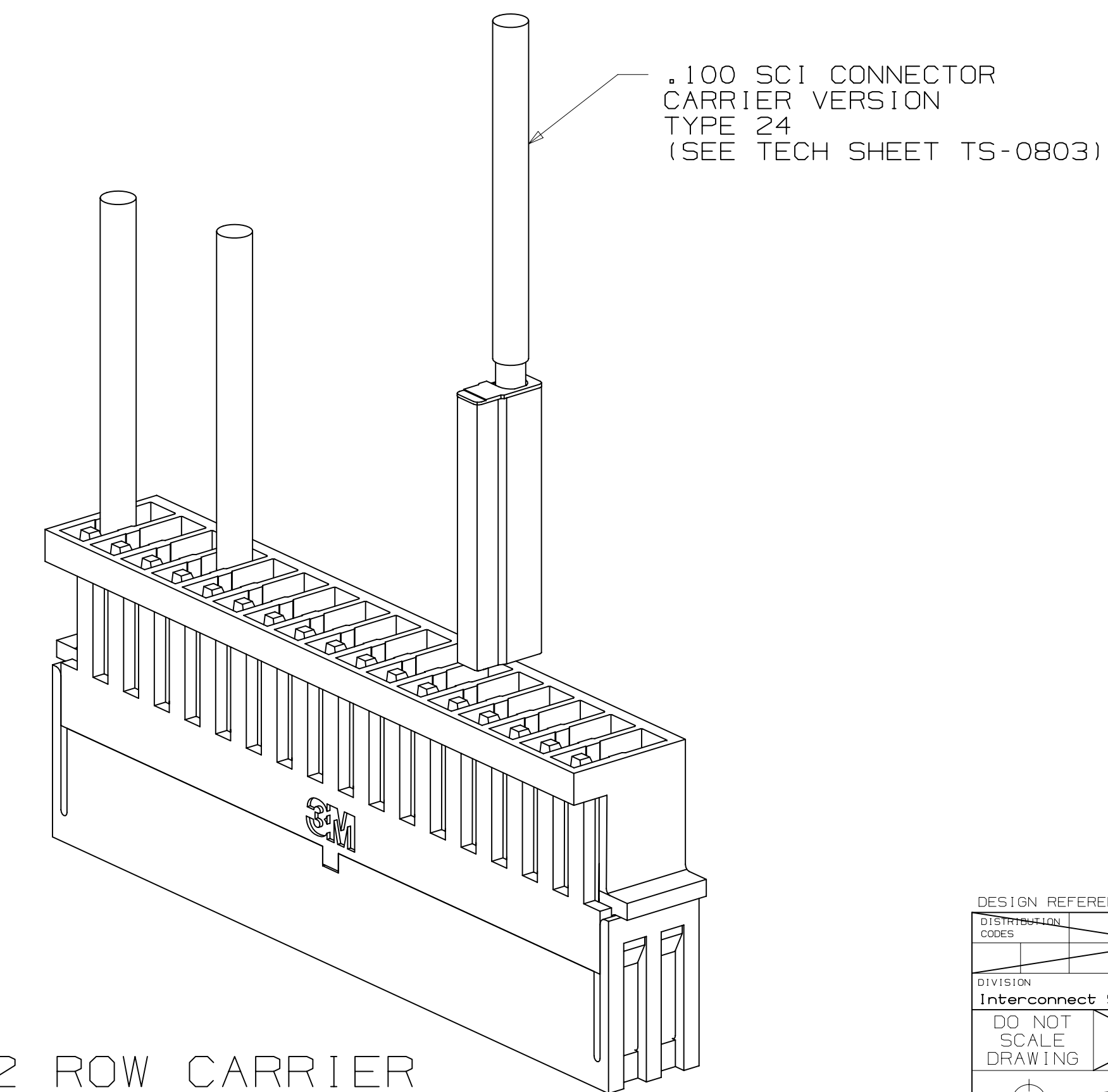
## PIN STRIP LATCH

- \* AVAILABLE FOR THE RIGHT ANGLE SCI CONNECTOR.
- \* RoHS COMPLIANT

## 2 PHYSICAL :

INSULATION MATERIAL:

- 2 ROW CARRIER: POLYCARBONATE
- 3 X 7 CARRIER: GLASS REINFORCED POLYESTER
- COLOR: BLACK
- FLAMMABILITY: UL 94V-0
- MARKINGS: 3M LOGO
- CONTACTS: COPPER ALLOY



1. REGULATORY INFORMATION:  
ROHS COMPLIANT. SEE THE  
REGULATORY INFORMATION  
APPENDIX (RIA) IN THE  
"ROHS COMPLIANCE" SECTION  
OF WWW.3MCONNECTORS.COM FOR  
COMPLIANCE INFORMATION.

2. IN THE EVENT OF CONFLICT  
BETWEEN THIS DATA AND THAT  
CONTAINED IN THE PRODUCT  
SPECIFICATION, THE PRODUCT  
SPECIFICATION TAKES PRECEDENT.

3M ELECTRONIC SOLUTIONS DIVISION  
INTERCONNECT SOLUTIONS  
<http://www.3mconnectors.com>

3M IS A TRADEMARK OF 3M COMPANY.  
FOR TECHNICAL, SALES OR ORDERING  
INFORMATION CALL 800-225-5373

DESIGN REFERENCE	NEXT ASSEMBLY	REV	ECO	ISSUE DATE AND DESCRIPTION	DRFT	CHKD
				JAN 03, 2013	JNC	RS
DIVISION CODES Interconnect Solutions DO NOT SCALE DRAWING THIRD ANGLE PROJECTION INTERPRET PER ASME Y14.5 - 1994 MAX SURFACE ROUGHNESS MARKED ONLY		DIVISION CODE ISD TOLERANCES EXCEPT AS NOTED INCHES .00 ± .01 .000 ± .005 .0000 ± MILLIMETERS 0 ± .0 ± .3 .00 ± .13 .000 ± ANGLES		3M Center St. Paul, MN 55144 © 3M COPYRIGHT 2013 This document and the information it contains are 3M property and may not be reproduced or further distributed without 3M permission, or used or disclosed other than for 3M authorized purposes. All rights reserved. TITLE ASSEMBLY HARDWARE, .100 SCI CARRIER CAGE NUMBER D 78-5100-0802-8 MODEL DET. <input type="checkbox"/> YES <input checked="" type="checkbox"/> NO SHT 1 OF 3		

78-5100-0802-8 DRAWING NUMBER

# 3M™ SHIELDED CONTROLLED IMPEDANCE (SCI)

.100" ASSEMBLY HARDWARE

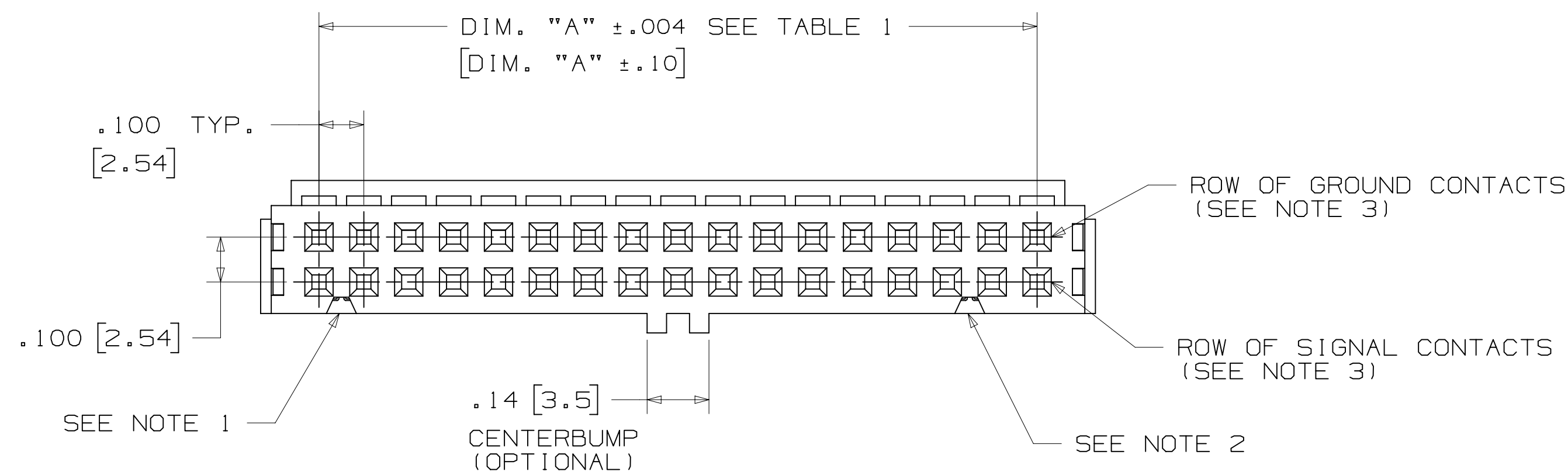
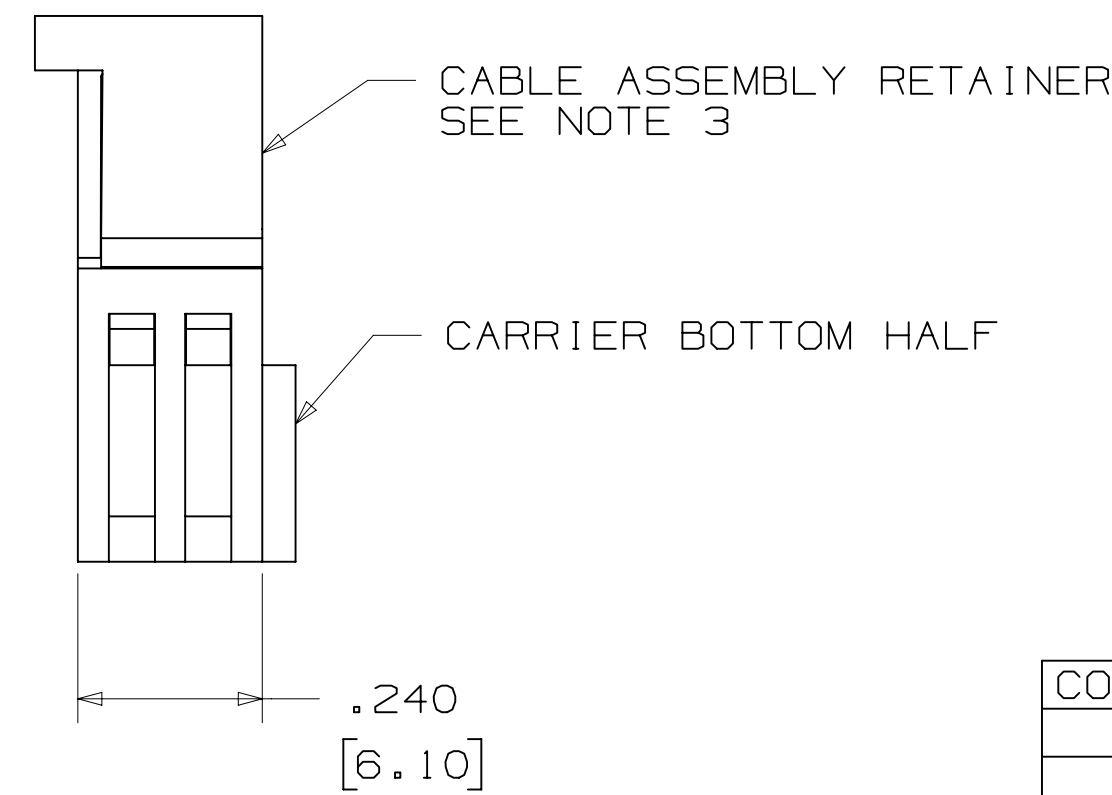
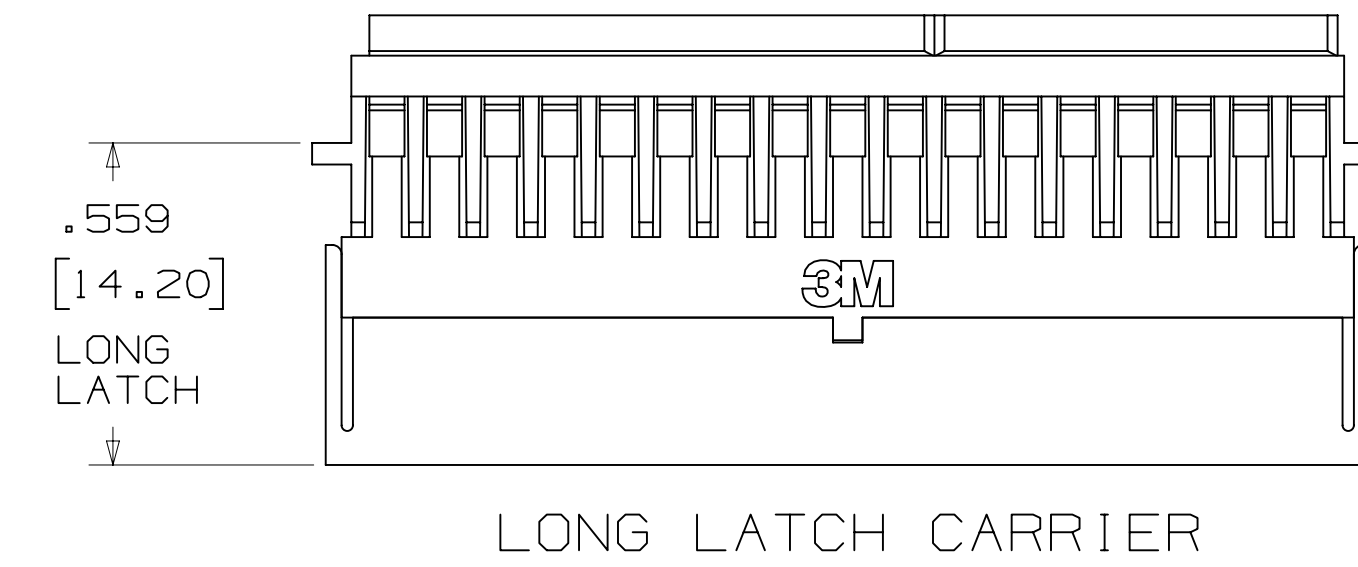


TABLE 1: CARRIER POSITIONS

CONTACT QTY.	DIM. "A"	DIM. "B"	DIM. "C"	DIM. "D"
06	.20 [5.08]	.41 [10.48]	.32 [8.22]	.46 [11.68]
08	.30 [7.62]	.51 [13.02]	.42 [10.76]	.56 [14.22]
* 10	.40 [10.16]	.61 [15.56]	.52 [13.30]	.66 [16.76]
12	.50 [12.70]	.71 [18.10]	.62 [15.84]	.76 [19.30]
* 14	.60 [15.24]	.81 [20.64]	.72 [18.38]	.86 [21.84]
* 16	.70 [17.78]	.91 [23.18]	.82 [20.92]	.96 [24.38]
* 20	.90 [22.86]	1.11 [28.26]	1.02 [26.00]	1.16 [29.46]
* 26	1.20 [30.48]	1.41 [35.88]	1.32 [33.62]	1.46 [37.08]
30	1.40 [35.56]	1.61 [40.96]	1.52 [38.70]	1.66 [42.16]
* 34	1.60 [40.64]	1.81 [46.04]	1.72 [43.78]	1.86 [47.24]
* 40	1.90 [48.26]	2.11 [53.66]	2.02 [51.40]	2.16 [54.86]
* 50	2.40 [60.96]	2.61 [66.36]	2.52 [64.10]	2.66 [67.56]
60	2.90 [73.66]	3.11 [79.06]	3.02 [76.80]	3.16 [80.26]
* 64	3.10 [78.74]	3.31 [84.14]	3.22 [81.88]	3.36 [85.34]

\* TOOLED POSITIONS: CONTACT 3M SALES FOR ADDITIONAL POSITIONS

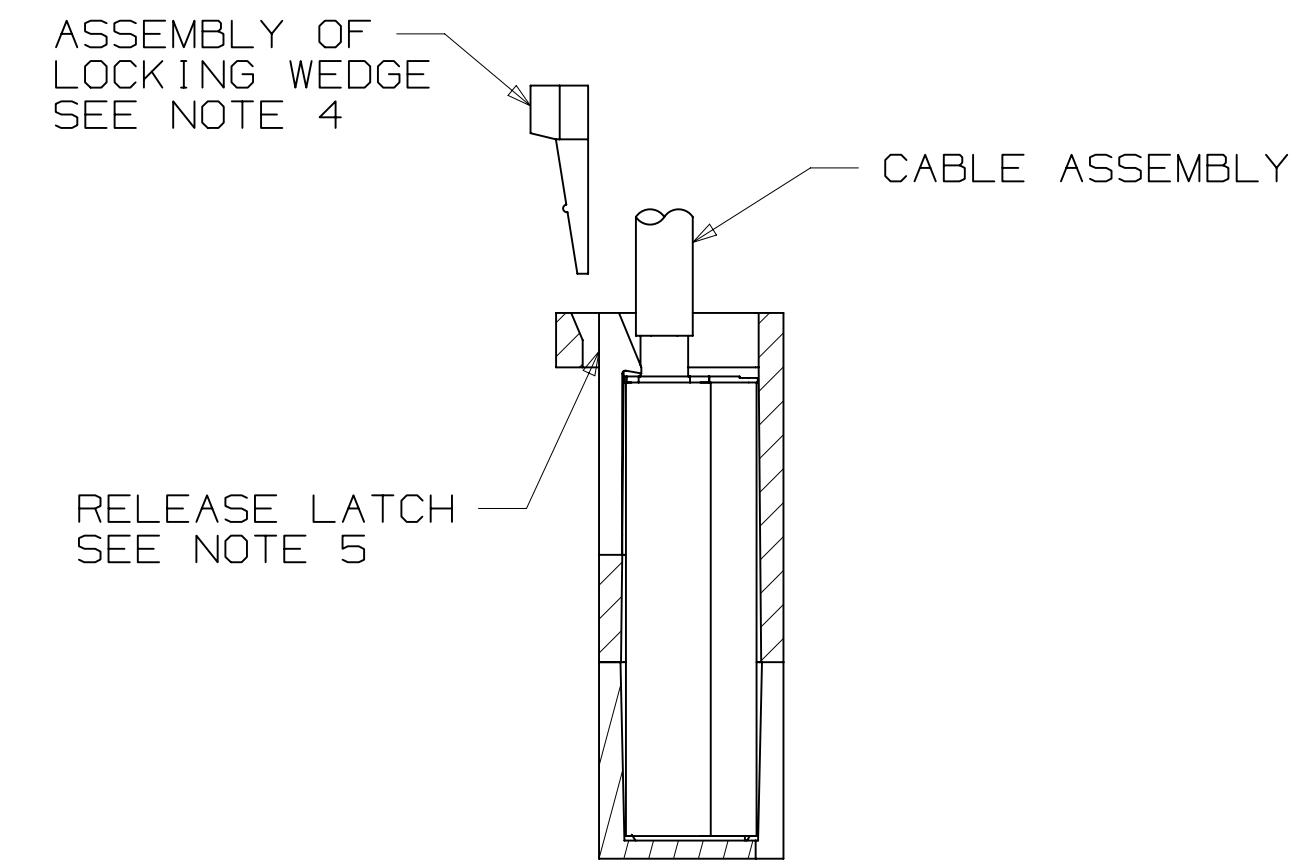
## ORDERING INFORMATION 2 ROW CARRIER HOUSING

98XX - XXXX

CONTACT QTY.  
SEE TABLE 1

MOLDED RETENTION FEATURE:  
MO = NORMAL  
MR = REVERSE

CARRIER STYLE:  
PS = CENTERBUMP, SHORT LATCHES  
NS = NO CENTERBUMP, SHORT LATCHES  
PL = CENTERBUMP, LONG LATCHES  
NL = NO CENTERBUMP, LONG LATCHES

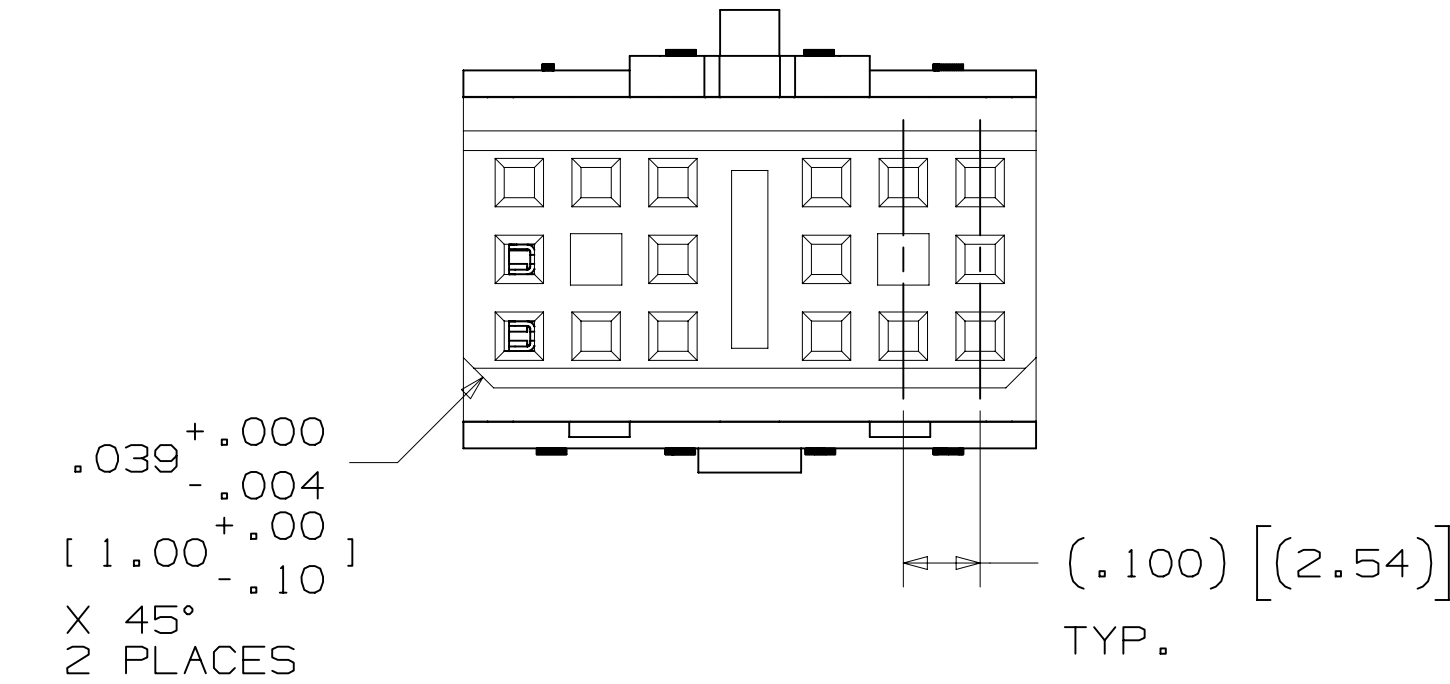
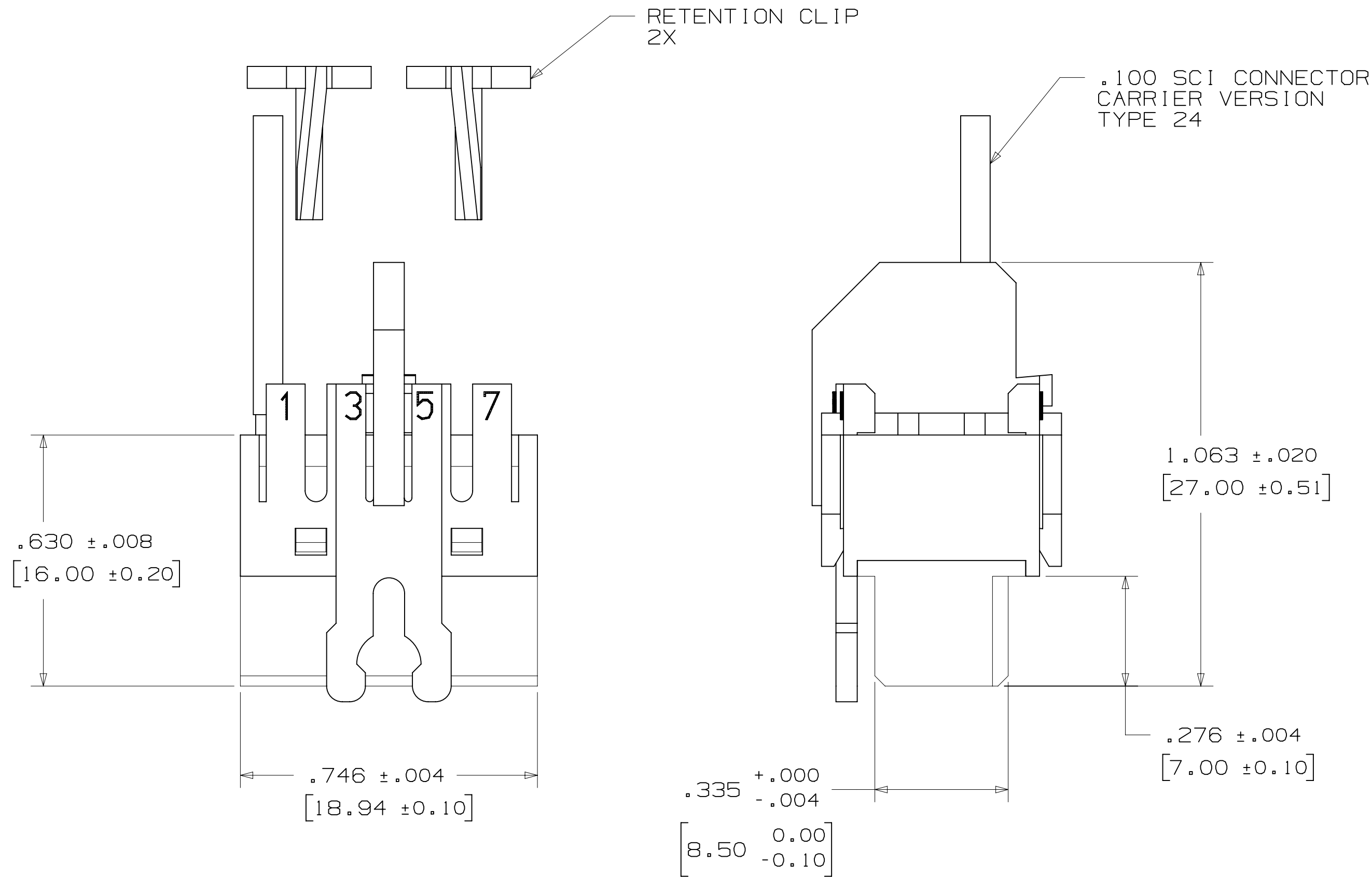
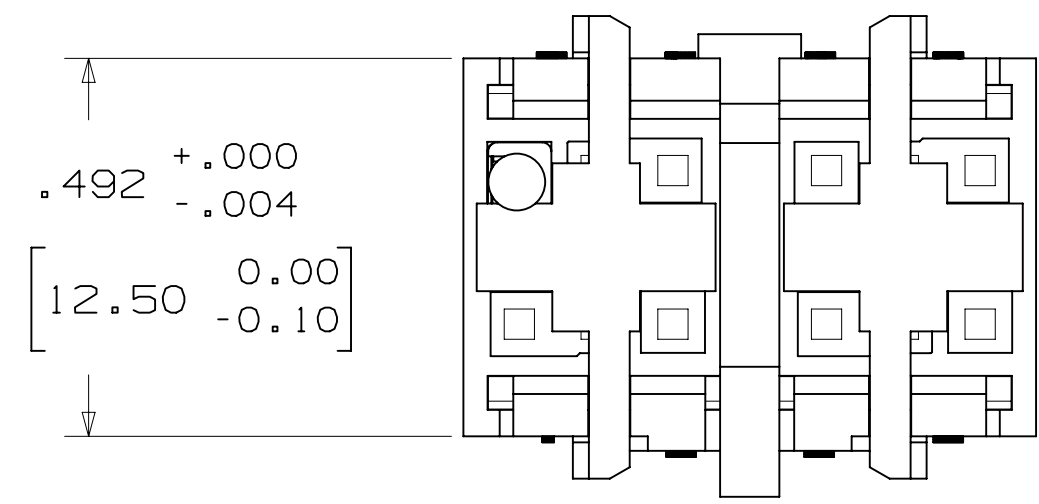


- NOTES
- 1 POLARIZING GROOVE OMITTED FOR POSITIONS 6 AND 8.
  - 2 POLARIZING GROOVE OMITTED FOR POSITIONS 6, 8, 10, 12 AND 14.
  - 3 THE NORMAL "MO" RETENTION STYLE IS ILLUSTRATED. FOR THE REVERSE "MR" RETENTION STYLE THE CABLE ASSEMBLY RETAINER IS FLIPPED 180° END TO END AND THE "SIGNAL" AND "GROUND" ROWS OF CONTACTS ARE ALSO REVERSED.
  - 4 OPTIONAL LOCKING WEDGE PREVENTS SCI REMOVAL. 25 POSITION (CUT TO LENGTH)
  - 5 RELEASE LATCH CAN BE MOVED WITH FINGERNAIL TO ALLOW REPLACEMENT OF SCI CABLE LINE.

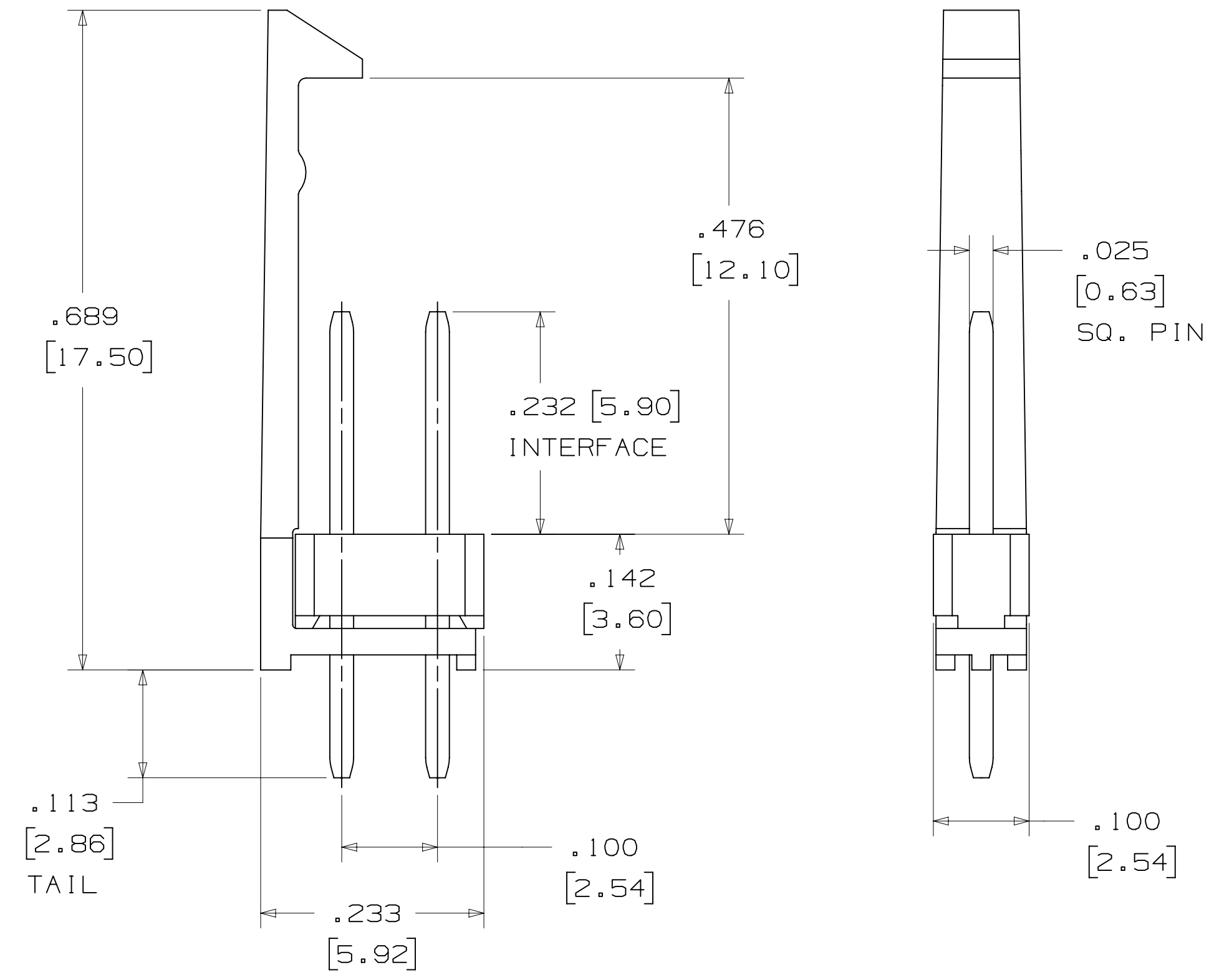
DESIGN REFERENCE	NEXT ASSEMBLY	REV	ECO	ISSUE DATE AND DESCRIPTION	DRFT	CHKD
				JAN 03, 2013	JNC	RS
DIVISION		DIVISION CODE		DATE		
Interconnect Solutions		ISD		JAN 03, 2013		
DO NOT SCALE DRAWING		TOLERANCES EXCEPT AS NOTED		DATE		
THIRD ANGLE PROJECTION		INCHES		DATE		
INTERPRET PER ASME Y14.5 - 1994		MILLIMETERS		DATE		
MAX SURFACE ROUGHNESS		INCHES		DATE		
SURFACES		MILLIMETERS		DATE		
MARKED ONLY		ANGLES		DATE		
3M		© 3M COPYRIGHT 2013		DATE		
ASSEMBLY HARDWARE, .100 SCI CARRIER		This document and the information it contains are 3M property and may not be reproduced or further distributed without 3M permission, or used or disclosed other than for 3M authorized purposes. All rights reserved.		DATE		
CAGE NUMBER	SIZE	DRAWING NO.	REV.	DATE		
D		78-5100-0802-8	B	DATE		
MODEL	DET	ISTS	YES	NO	SHT	2 OF 3

# 3M™ SHIELDED CONTROLLED IMPEDANCE (SCI)

.100" ASSEMBLY HARDWARE



ORDERING INFORMATION  
3 X 7 CARRIER HOUSING  
9821-5000



ORDERING INFORMATION  
PIN STRIP WITH LATCH  
2402-3505 RC

DESIGN REFERENCE	NEXT ASSEMBLY	REV	ECO	ISSUE DATE AND DESCRIPTION	DRFT	CHKD
				JAN 03, 2013	JNC	RS
DIVISION		DATE		MFG		DATE
Interconnect Solutions		JAN 03, 2013		R. SCHERER		JAN 03, 2013
DO NOT SCALE DRAWING	SCALE	TOLERANCES EXCEPT AS NOTED				
THIRD ANGLE PROJECTION	INTERPRET PER ASME Y14.5 - 1994	MILLIMETERS		ASSEMBLY HARDWARE, .100 SCI CARRIER		
MAX SURFACE ROUGHNESS	MARKED ONLY	INCHES		CAGE NUMBER <b>D</b> 78-5100-0802-8		
		.00 ± .01		MODEL		
		.000 ± .005		DET. <input type="checkbox"/> YES <input checked="" type="checkbox"/> NO SHT 3 OF 3		
		.0000 ±				
		0 ± .3				
		.00 ± .13				
		.000 ±				
		ANGLES				



Компания «ЭлектроПласт» предлагает заключение долгосрочных отношений при поставках импортных электронных компонентов на взаимовыгодных условиях!

Наши преимущества:

- Оперативные поставки широкого спектра электронных компонентов отечественного и импортного производства напрямую от производителей и с крупнейших мировых складов;
- Поставка более 17-ти миллионов наименований электронных компонентов;
- Поставка сложных, дефицитных, либо снятых с производства позиций;
- Оперативные сроки поставки под заказ (от 5 рабочих дней);
- Экспресс доставка в любую точку России;
- Техническая поддержка проекта, помощь в подборе аналогов, поставка прототипов;
- Система менеджмента качества сертифицирована по Международному стандарту ISO 9001;
- Лицензия ФСБ на осуществление работ с использованием сведений, составляющих государственную тайну;
- Поставка специализированных компонентов (Xilinx, Altera, Analog Devices, Intersil, Interpoint, Microsemi, Aeroflex, Peregrine, Syfer, Eurofarad, Texas Instrument, Miteq, Cobham, E2V, MA-COM, Hittite, Mini-Circuits, General Dynamics и др.);

Помимо этого, одним из направлений компании «ЭлектроПласт» является направление «Источники питания». Мы предлагаем Вам помощь Конструкторского отдела:

- Подбор оптимального решения, техническое обоснование при выборе компонента;
- Подбор аналогов;
- Консультации по применению компонента;
- Поставка образцов и прототипов;
- Техническая поддержка проекта;
- Защита от снятия компонента с производства.



#### Как с нами связаться

**Телефон:** 8 (812) 309 58 32 (многоканальный)

**Факс:** 8 (812) 320-02-42

**Электронная почта:** [org@eplast1.ru](mailto:org@eplast1.ru)

**Адрес:** 198099, г. Санкт-Петербург, ул. Калинина, дом 2, корпус 4, литера А.