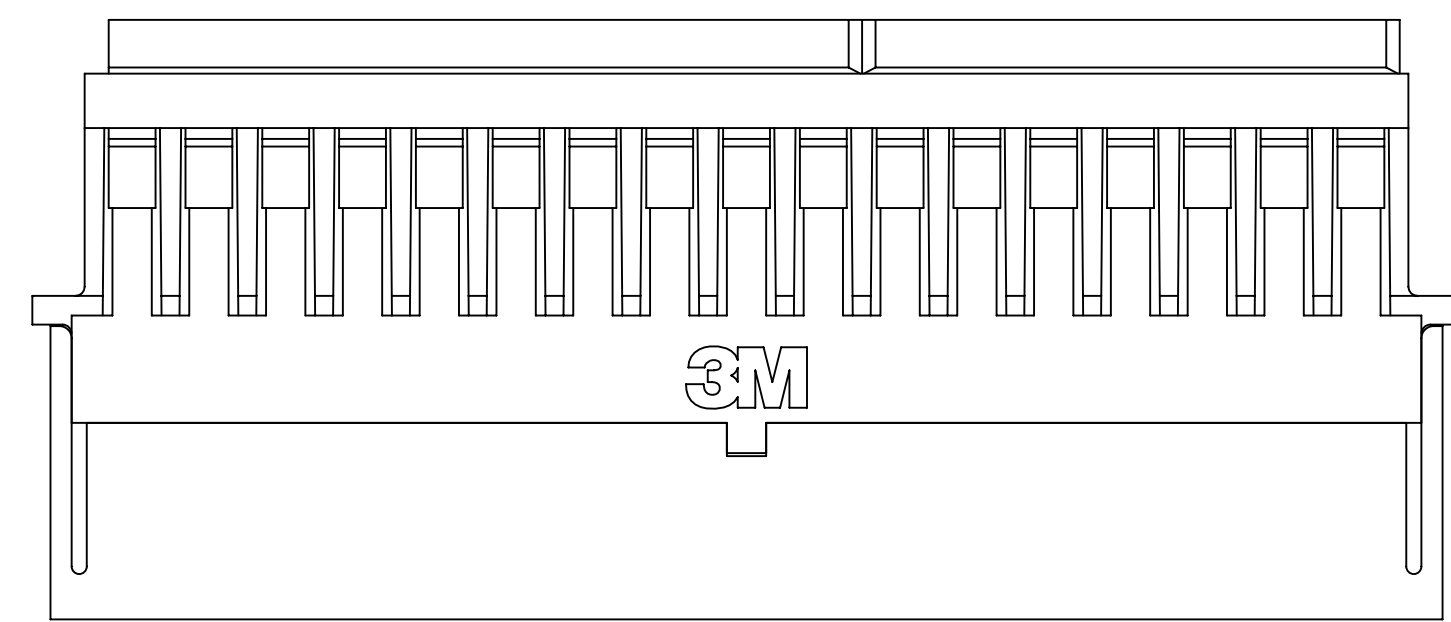
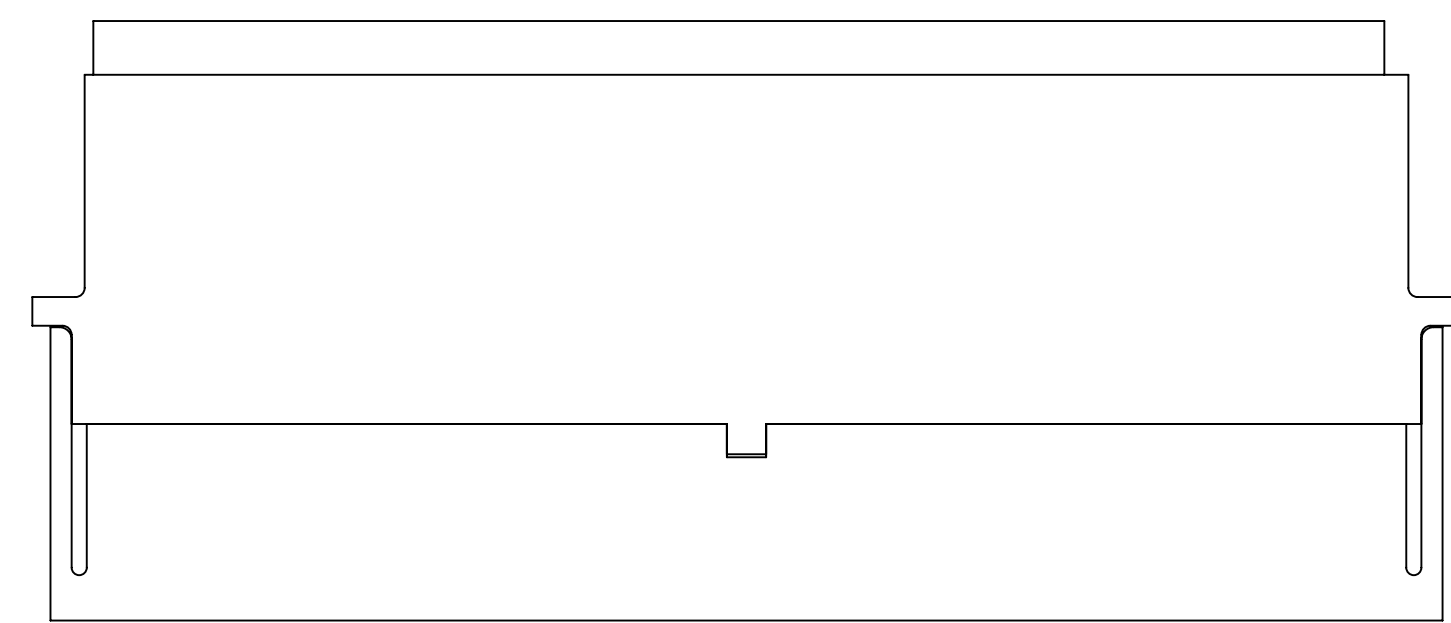


3M™ SHIELDED CONTROLLED IMPEDANCE (SCI)

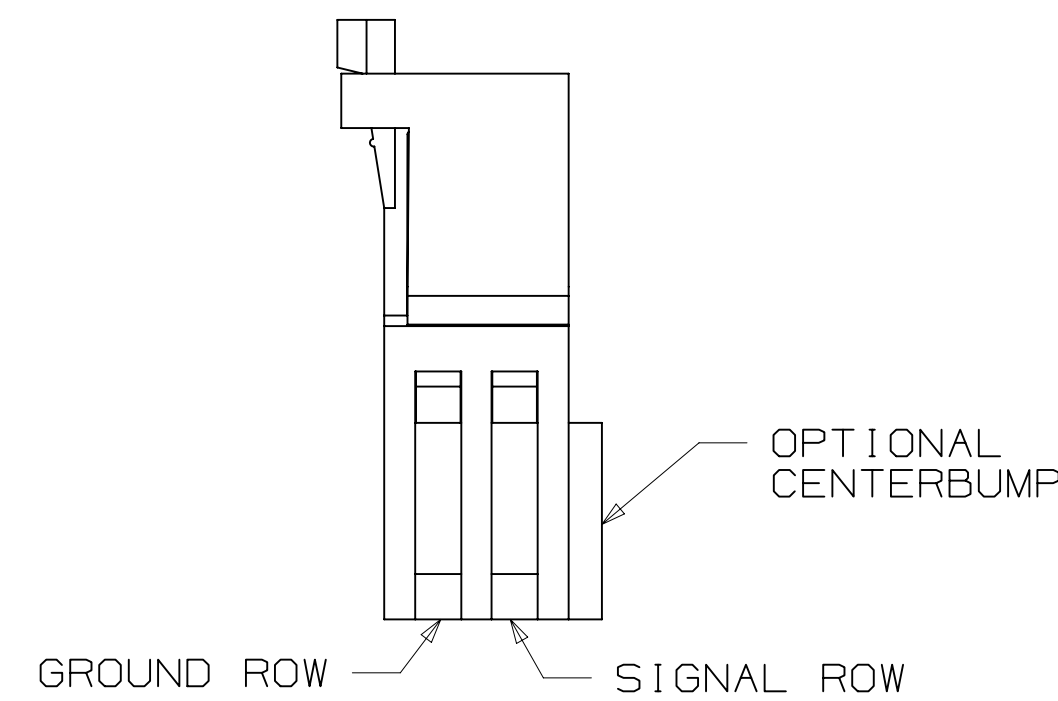
.100" ASSEMBLY HARDWARE



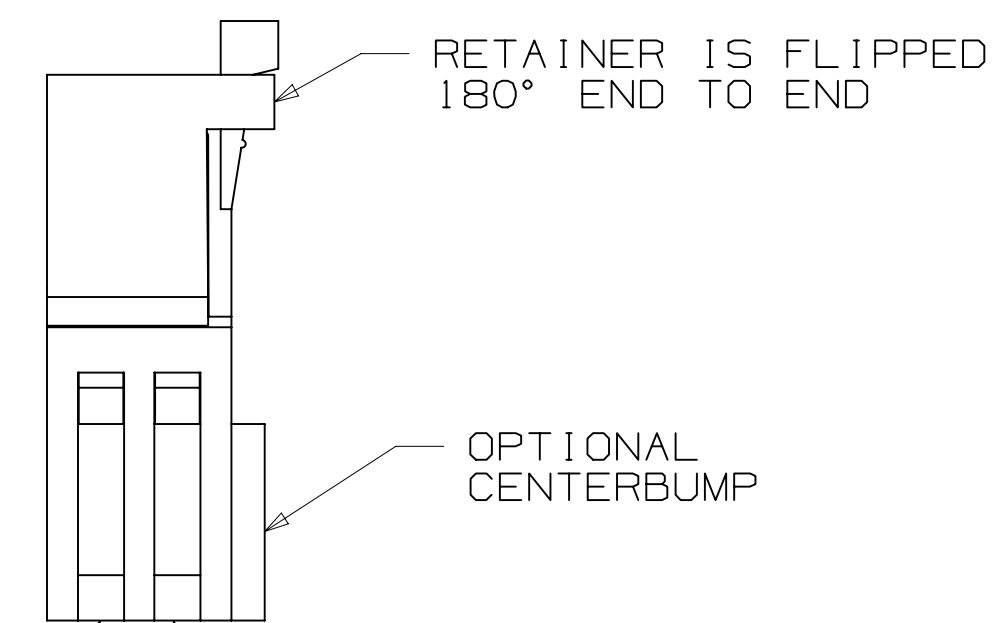
98XX-PSMO
NORMAL "MO" RETENTION STYLE



98XX-PSMR
REVERSE "MR" RETENTION STYLE



SIGNAL ROW GROUND ROW



SIGNAL ROW GROUND ROW

NOTE:
1) PIN STRIP LATCH IS FOR USE WITH
.100 SCI, RIGHT ANGLE CONNECTOR
TYPE 22 ONLY.
(SEE TECH SHEET TS-0803)

3M ELECTRONIC SOLUTIONS DIVISION
INTERCONNECT SOLUTIONS
<http://www.3mconnectors.com>

3M IS A TRADEMARK OF 3M COMPANY.
FOR TECHNICAL, SALES OR ORDERING
INFORMATION CALL 800-225-5373

2 ROW CARRIER HOUSING

- * CARRIERS AVAILABLE IN 3M .100" X .100" (2.54MM X 2.54MM) SOCKET.
- * COMPATIBLE WITH ALL 3M .100" X .100" (2.54MM X 2.54MM) HEADERS.
- * AVAILABLE IN SHORT OR LONG LATCH STYLES. CHECK STYLE FOR MATCH.

3 X 7 CARRIER HOUSING

- * INTEGRAL LOCKING FEATURE.
- * INCLUDES TWO RETENTION CLIPS.

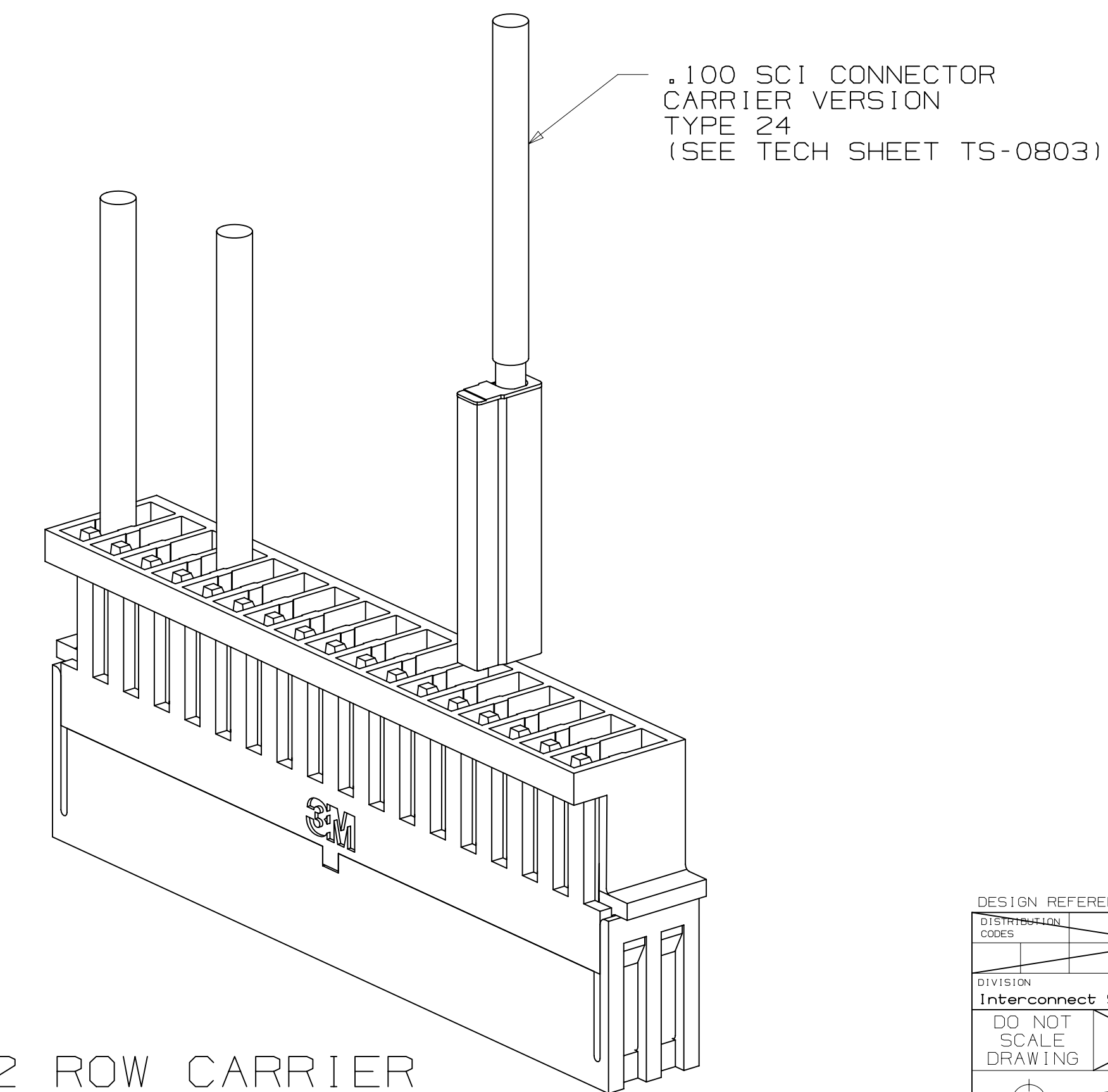
PIN STRIP LATCH

- * AVAILABLE FOR THE RIGHT ANGLE SCI CONNECTOR.
- * RoHS COMPLIANT

2 PHYSICAL :

INSULATION MATERIAL:

- 2 ROW CARRIER: POLYCARBONATE
- 3 X 7 CARRIER: GLASS REINFORCED POLYESTER
- COLOR: BLACK
- FLAMMABILITY: UL 94V-0
- MARKINGS: 3M LOGO
- CONTACTS: COPPER ALLOY



1. REGULATORY INFORMATION:
ROHS COMPLIANT. SEE THE
REGULATORY INFORMATION
APPENDIX (RIA) IN THE
"ROHS COMPLIANCE" SECTION
OF WWW.3MCONNECTORS.COM FOR
COMPLIANCE INFORMATION.

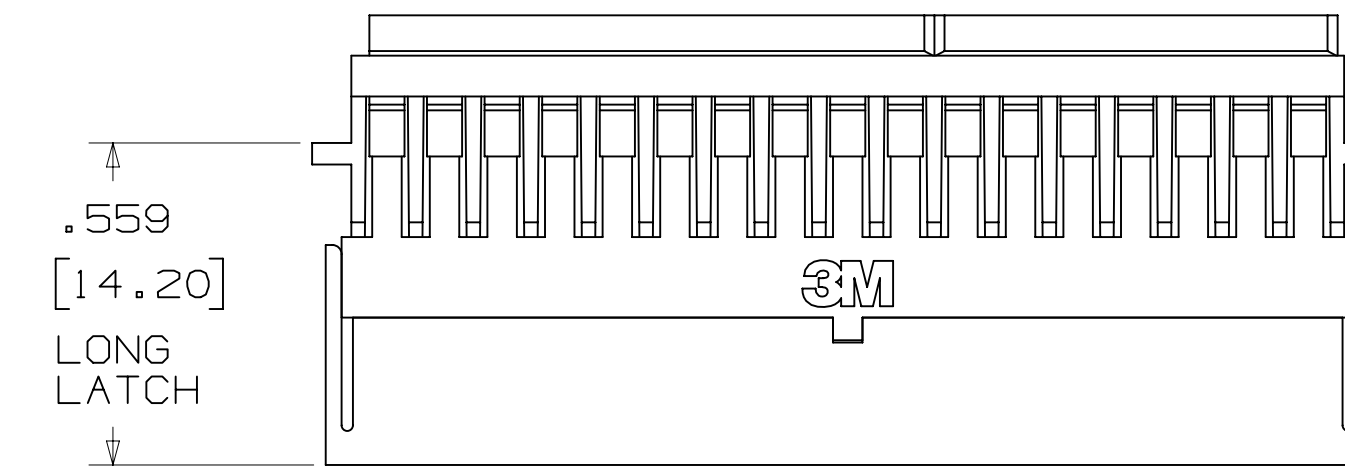
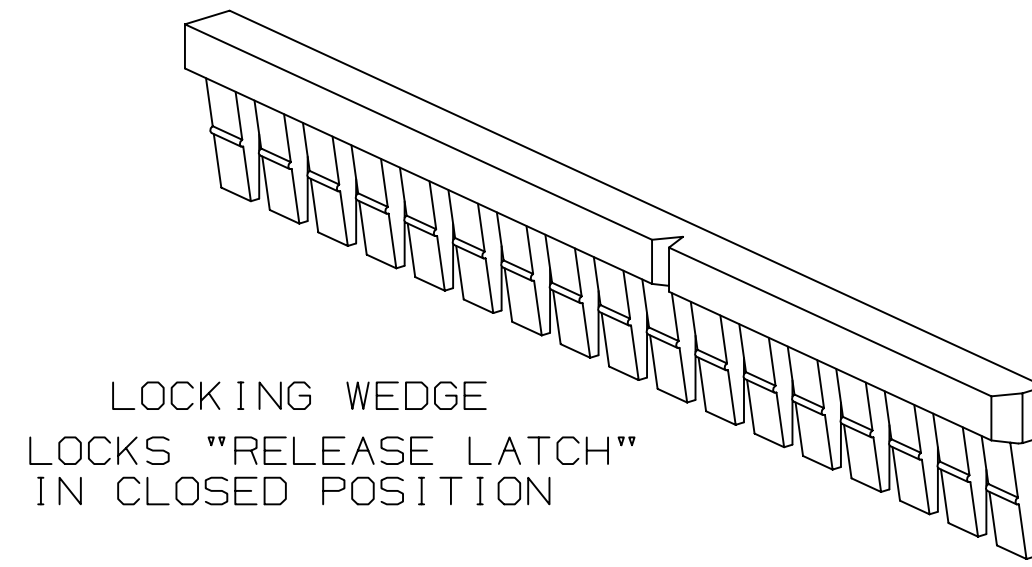
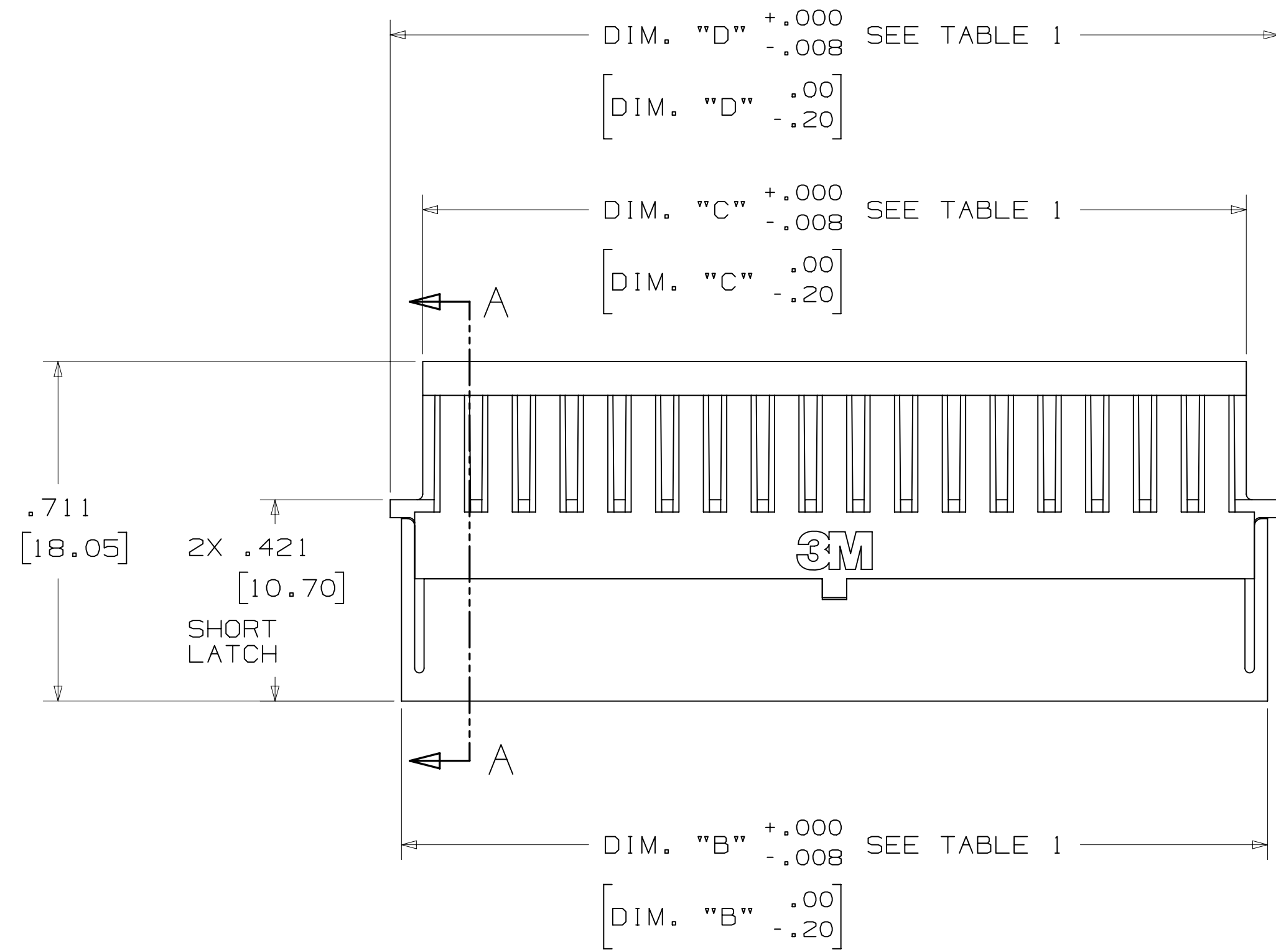
2. IN THE EVENT OF CONFLICT
BETWEEN THIS DATA AND THAT
CONTAINED IN THE PRODUCT
SPECIFICATION, THE PRODUCT
SPECIFICATION TAKES PRECEDENT.

DESIGN REFERENCE	NEXT ASSEMBLY	REV	ECO	ISSUE DATE AND DESCRIPTION	DRFT	CHKD
				JAN 03, 2013	JNC	RS
DIVISION CODES Interconnect Solutions DO NOT SCALE DRAWING THIRD ANGLE PROJECTION INTERPRET PER ASME Y14.5 - 1994 MAX SURFACE ROUGHNESS MARKED ONLY		DIVISION CODE ISD TOLERANCES EXCEPT AS NOTED INCHES .00 ± .01 .000 ± .005 .0000 ± MILLIMETERS 0 ± .0 ± .3 .00 ± .13 .000 ± ANGLES		3M Center St. Paul, MN 55144 © 3M COPYRIGHT 2013 This document and the information it contains are 3M property and may not be reproduced or further distributed without 3M permission, or used or disclosed other than for 3M authorized purposes. All rights reserved. TITLE ASSEMBLY HARDWARE, .100 SCI CARRIER CAGE NUMBER D78-5100-0802-8 MODEL DET. <input type="checkbox"/> YES <input checked="" type="checkbox"/> NO SHT 1 OF 3		

78-5100-0802-8 DRAWING NUMBER

3M™ SHIELDED CONTROLLED IMPEDANCE (SCI)

.100" ASSEMBLY HARDWARE



LONG LATCH CARRIER

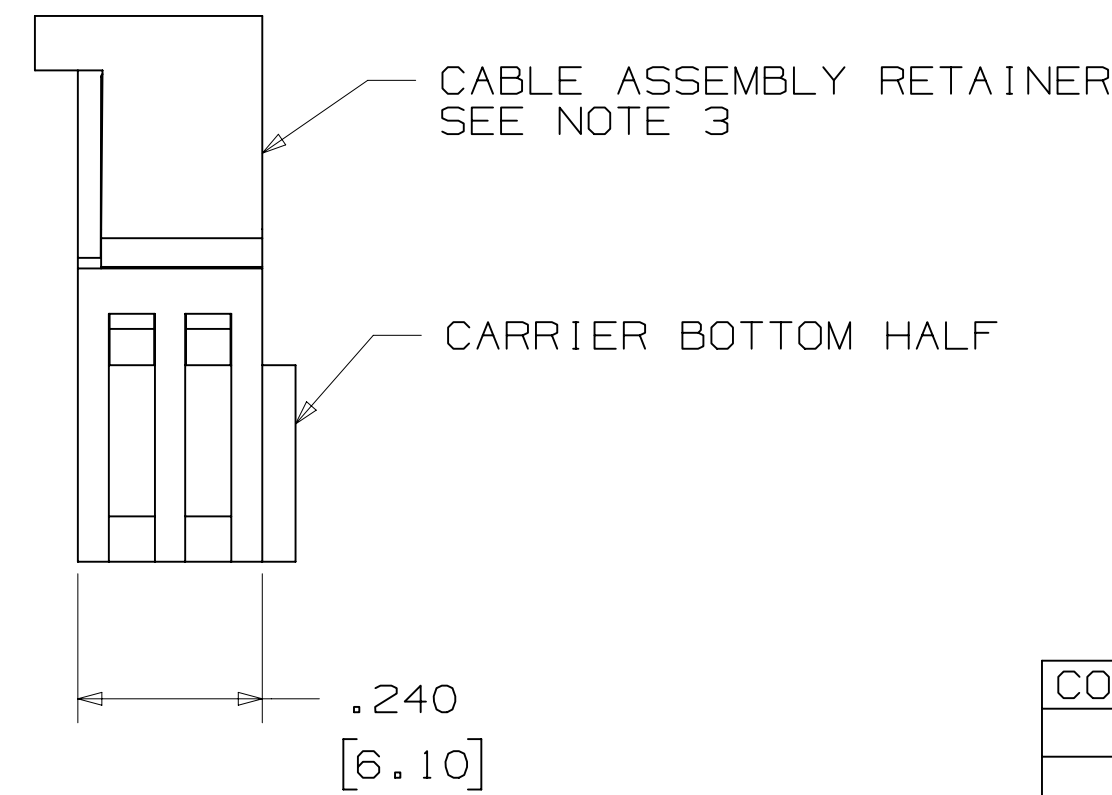
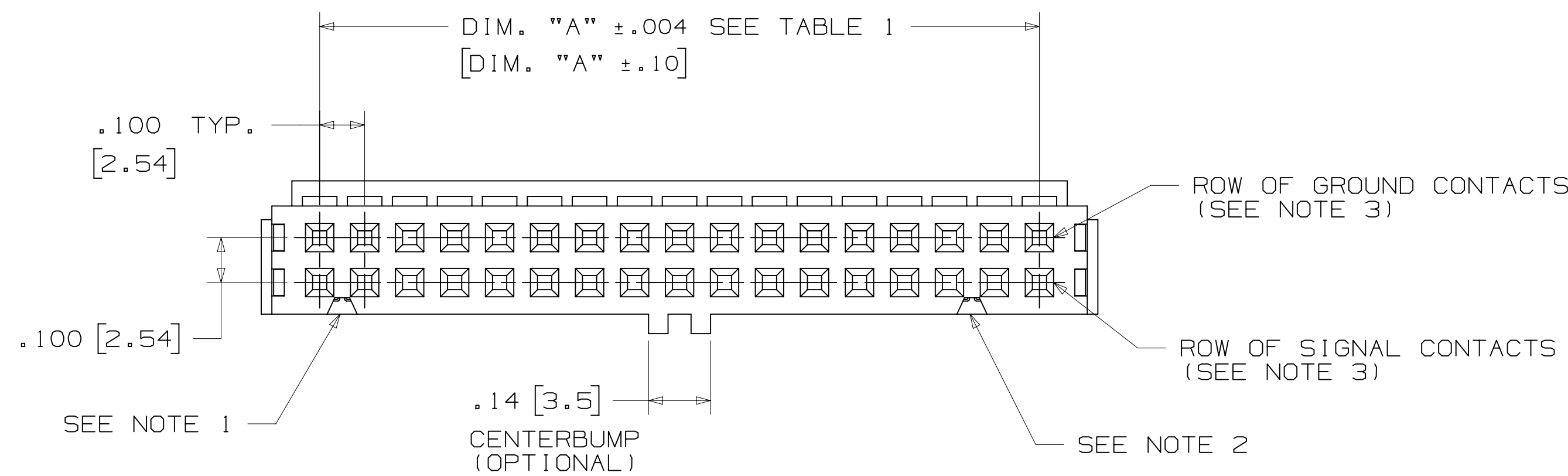


TABLE 1: CARRIER POSITIONS

CONTACT QTY.	DIM. "A"	DIM. "B"	DIM. "C"	DIM. "D"
06	.20 [5.08]	.41 [10.48]	.32 [8.22]	.46 [11.68]
08	.30 [7.62]	.51 [13.02]	.42 [10.76]	.56 [14.22]
* 10	.40 [10.16]	.61 [15.56]	.52 [13.30]	.66 [16.76]
12	.50 [12.70]	.71 [18.10]	.62 [15.84]	.76 [19.30]
* 14	.60 [15.24]	.81 [20.64]	.72 [18.38]	.86 [21.84]
* 16	.70 [17.78]	.91 [23.18]	.82 [20.92]	.96 [24.38]
* 20	.90 [22.86]	1.11 [28.26]	1.02 [26.00]	1.16 [29.46]
* 26	1.20 [30.48]	1.41 [35.88]	1.32 [33.62]	1.46 [37.08]
30	1.40 [35.56]	1.61 [40.96]	1.52 [38.70]	1.66 [42.16]
* 34	1.60 [40.64]	1.81 [46.04]	1.72 [43.78]	1.86 [47.24]
* 40	1.90 [48.26]	2.11 [53.66]	2.02 [51.40]	2.16 [54.86]
* 50	2.40 [60.96]	2.61 [66.36]	2.52 [64.10]	2.66 [67.56]
60	2.90 [73.66]	3.11 [79.06]	3.02 [76.80]	3.16 [80.26]
* 64	3.10 [78.74]	3.31 [84.14]	3.22 [81.88]	3.36 [85.34]

* TOOLED POSITIONS: CONTACT 3M SALES FOR ADDITIONAL POSITIONS

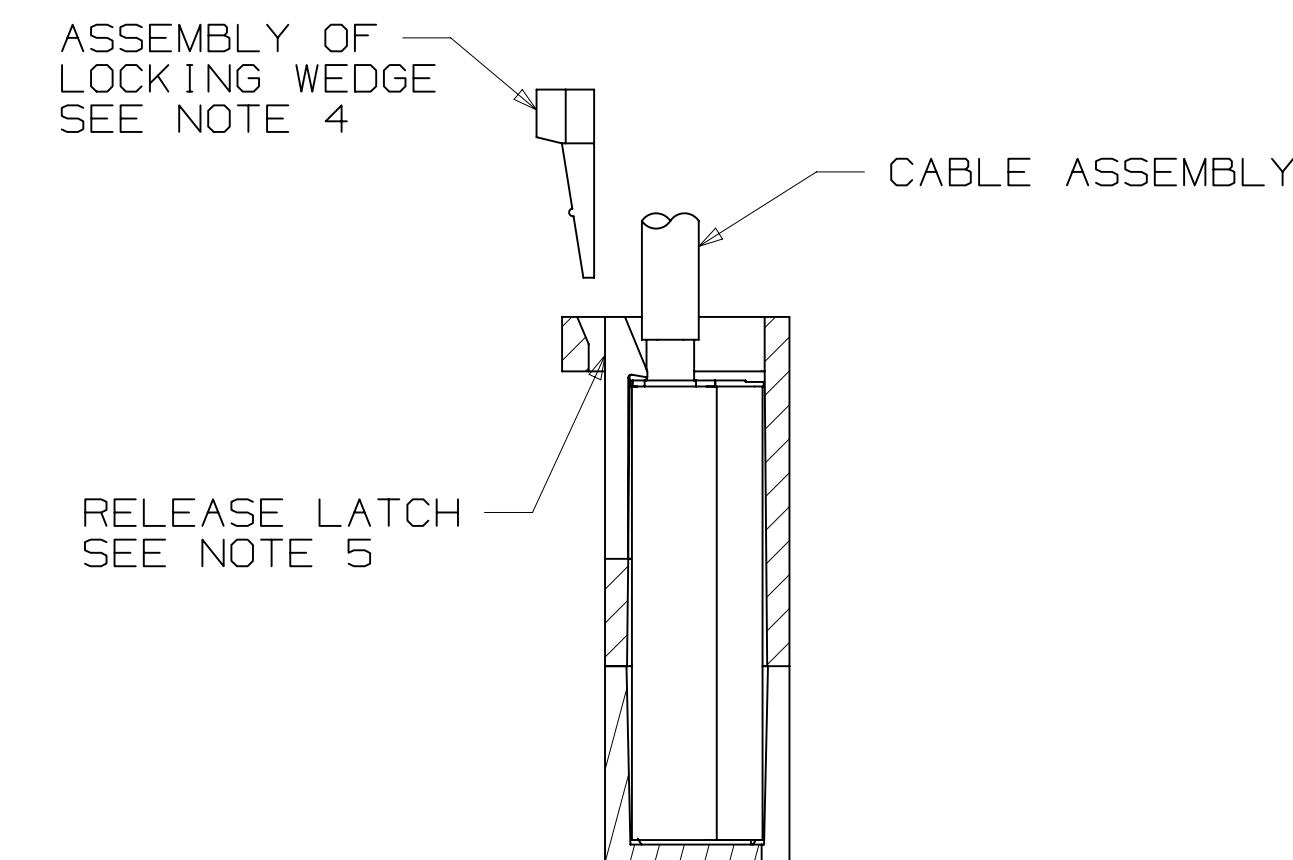


ORDERING INFORMATION 2 ROW CARRIER HOUSING

98XX - XXXX

CONTACT QTY. SEE TABLE 1
MOLDED RETENTION FEATURE:
MO = NORMAL
MR = REVERSE

CARRIER STYLE:
PS = CENTERBUMP, SHORT LATCHES
NS = NO CENTERBUMP, SHORT LATCHES
PL = CENTERBUMP, LONG LATCHES
NL = NO CENTERBUMP, LONG LATCHES



SECTION A - A

- NOTES
- 1 POLARIZING GROOVE OMITTED FOR POSITIONS 6 AND 8.
 - 2 POLARIZING GROOVE OMITTED FOR POSITIONS 6, 8, 10, 12 AND 14.
 - 3 THE NORMAL "MO" RETENTION STYLE IS ILLUSTRATED. FOR THE REVERSE "MR" RETENTION STYLE THE CABLE ASSEMBLY RETAINER IS FLIPPED 180° END TO END AND THE "SIGNAL" AND "GROUND" ROWS OF CONTACTS ARE ALSO REVERSED.
 - 4 OPTIONAL LOCKING WEDGE PREVENTS SCI REMOVAL. 25 POSITION (CUT TO LENGTH)
 - 5 RELEASE LATCH CAN BE MOVED WITH FINGERNAIL TO ALLOW REPLACEMENT OF SCI CABLE LINE.

DESIGN REFERENCE	NEXT ASSEMBLY	REV	ECO	ISSUE DATE AND DESCRIPTION	DRFT	CHKD
				JAN 03, 2013	JNC	RS
DIVISION		DIVISION CODE		DATE		
Interconnect Solutions		ISD		JAN 03, 2013		
DO NOT SCALE DRAWING		TOLERANCES EXCEPT AS NOTED		DATE		
THIRD ANGLE PROJECTION		INCHES		DATE		
INTERPRET PER ASME Y14.5 - 1994		MILLIMETERS		DATE		
MAX SURFACE ROUGHNESS		INCHES		DATE		
MARKED ONLY		MILLIMETERS		DATE		
		ANGLES		DATE		
		CAGE NUMBER		DATE		
		DRAWING NO.		DATE		
		MODEL		DATE		

3M Center St. Paul, MN 55144
 © 3M COPYRIGHT 2013
 This document and the information it contains are 3M property and may not be reproduced or further distributed without 3M permission, or used or disclosed other than for 3M authorized purposes. All rights reserved.

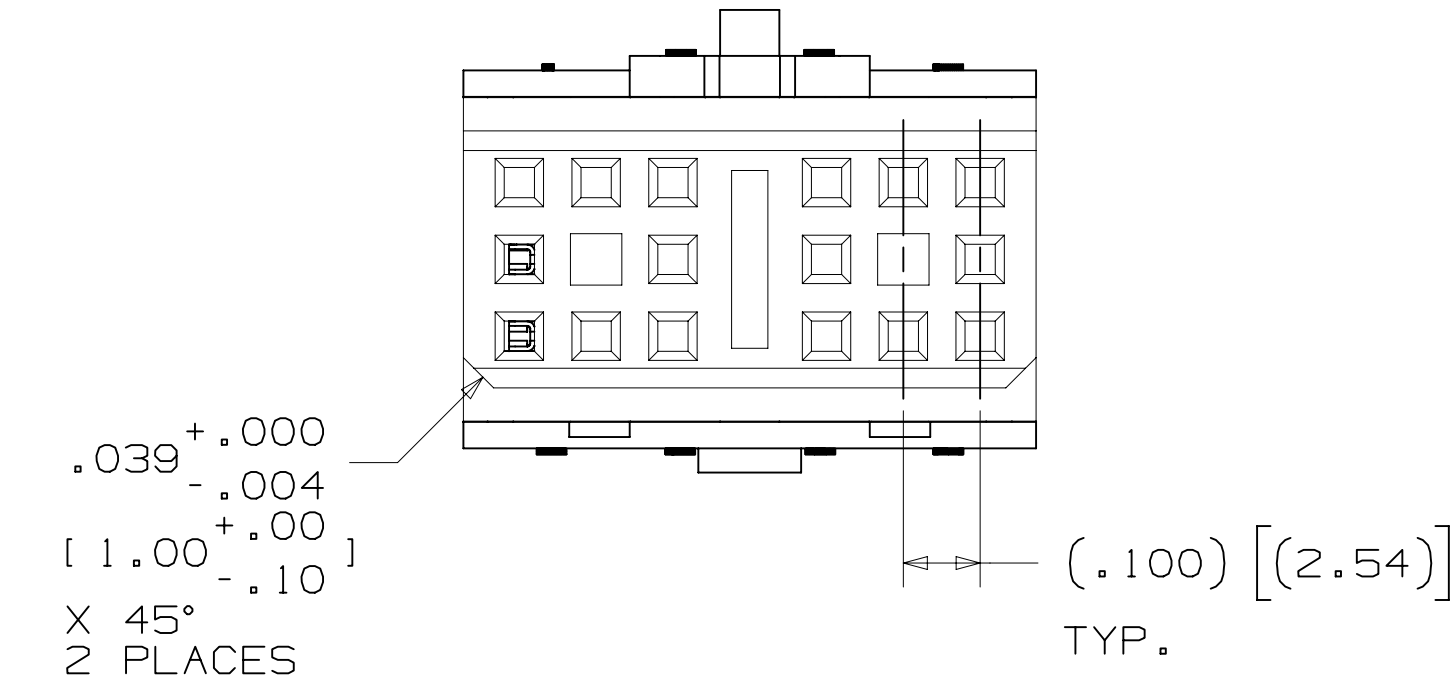
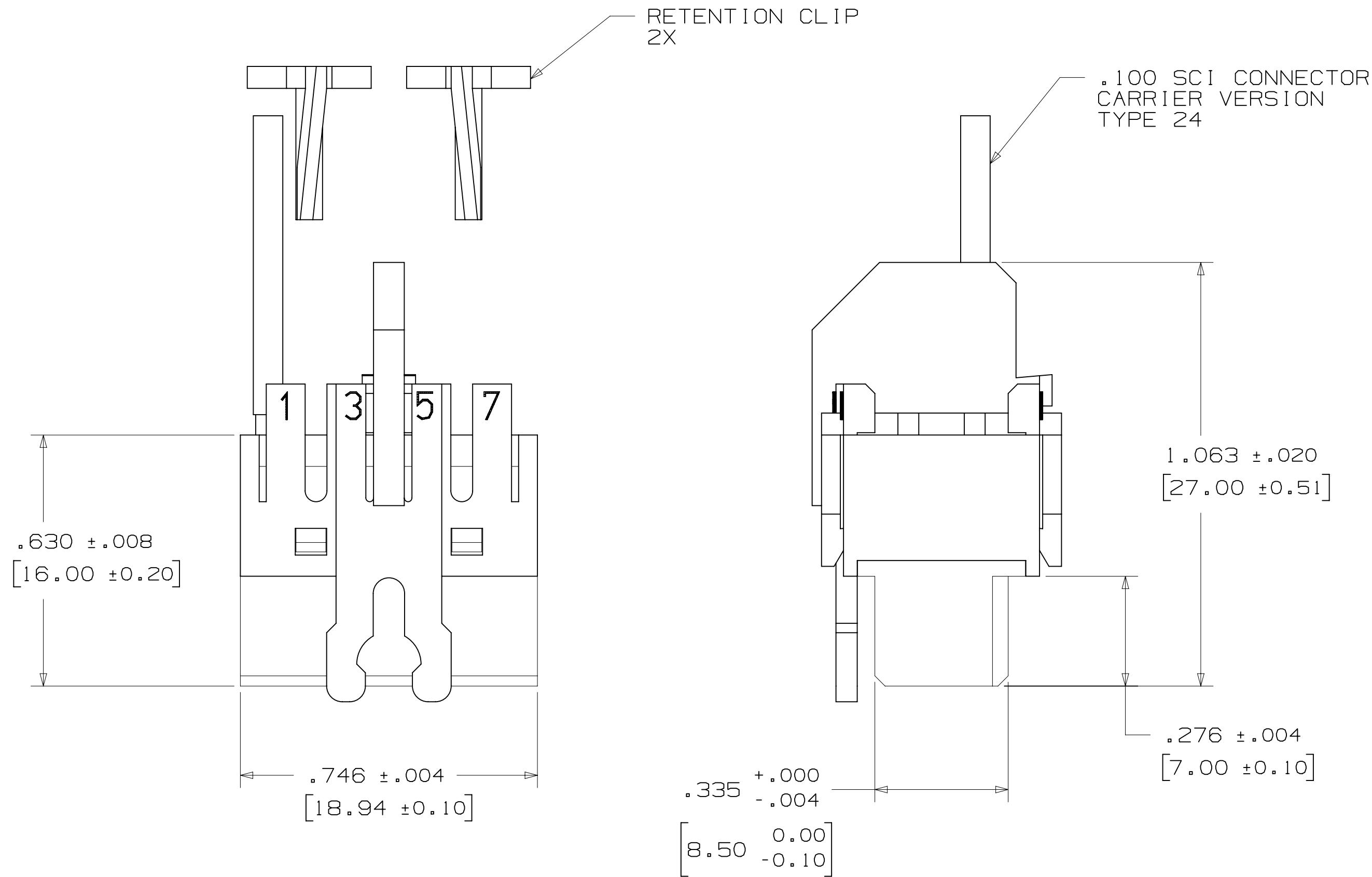
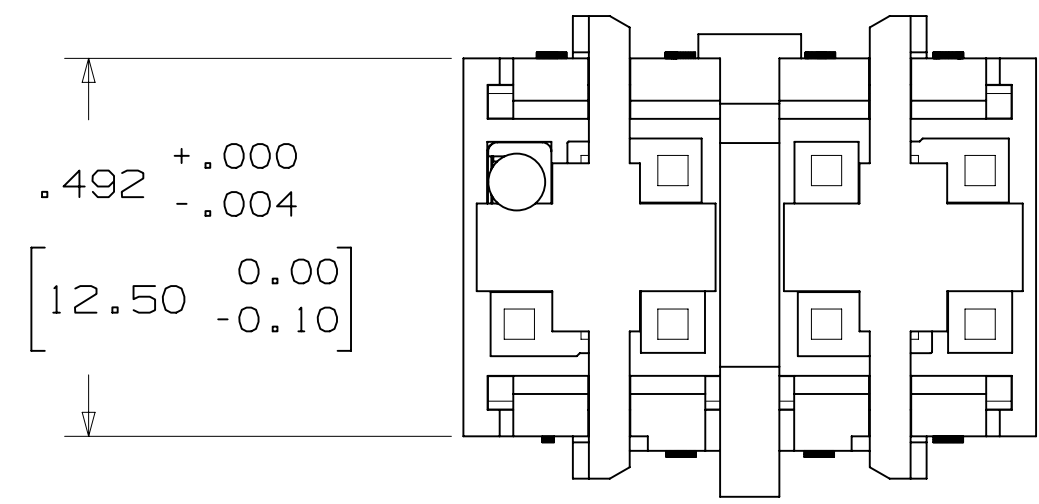
TITLE: ASSEMBLY HARDWARE, .100 SCI CARRIER
 CAGE NUMBER: D 78-5100-0802-8
 MODEL:

78-5100-0802-8

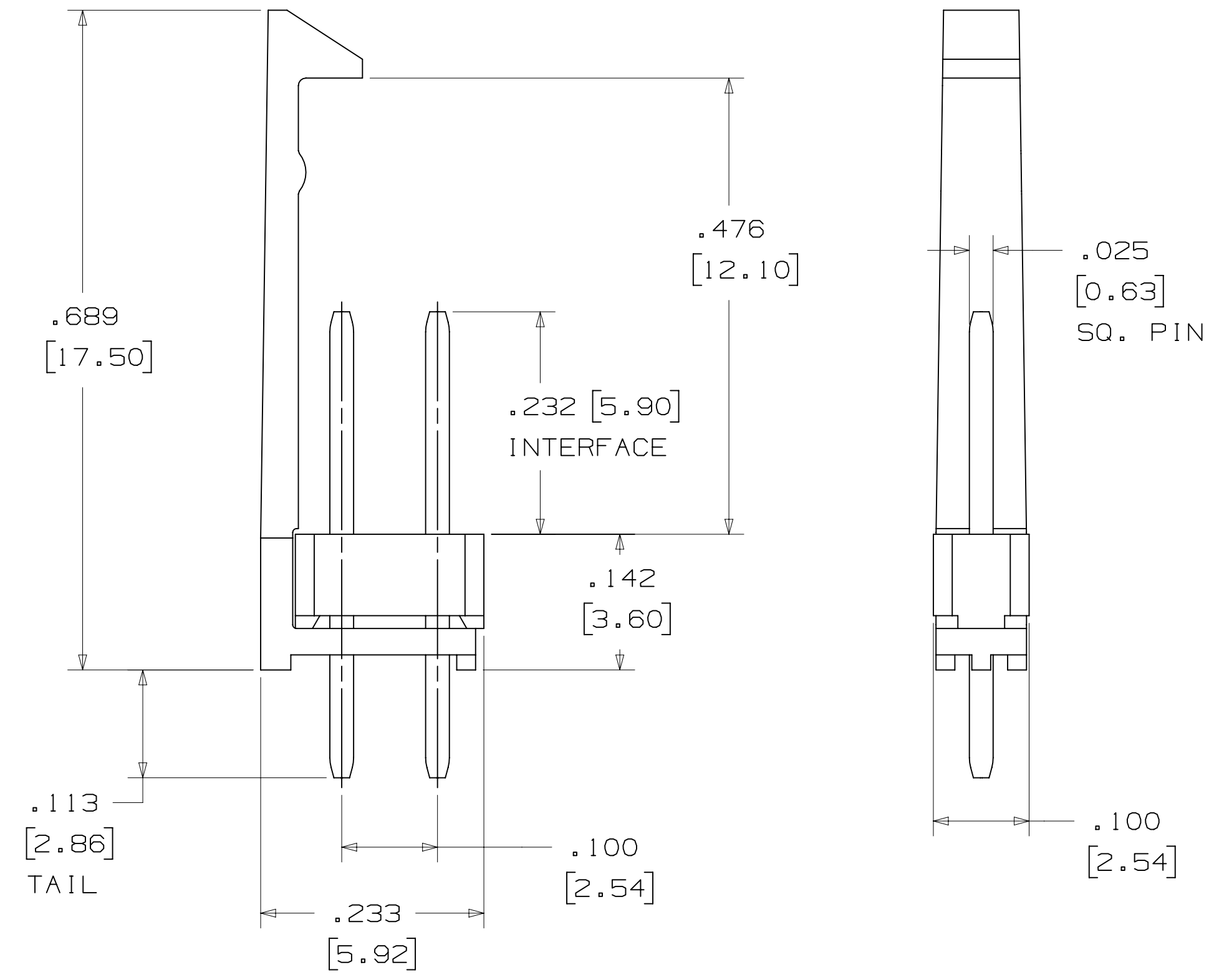
SHT 2 OF 3

3M™ SHIELDED CONTROLLED IMPEDANCE (SCI)

.100" ASSEMBLY HARDWARE



ORDERING INFORMATION
3 X 7 CARRIER HOUSING
9821-5000



ORDERING INFORMATION
PIN STRIP WITH LATCH
2402-3505 RC

DESIGN REFERENCE	NEXT ASSEMBLY	REV	ECO	ISSUE DATE AND DESCRIPTION	DRFT	CHKD
				JAN 03, 2013	JNC	RS
DIVISION		DIVISION CODE		DATE		
Interconnect Solutions		ISD		JAN 03, 2013		
DO NOT SCALE DRAWING		TOLERANCES EXCEPT AS NOTED		DATE		
THIRD ANGLE PROJECTION		INCHES		DATE		
INTERPRET PER ASME Y14.5 - 1994		MILLIMETERS		DATE		
MAX SURFACE ROUGHNESS		INCHES		DATE		
MARKED ONLY		MILLIMETERS		DATE		
		ANGLES		DATE		
		CAGE NUMBER		DATE		
		DRAWING NO.		DATE		
		REV.		DATE		
		MODEL		DATE		

3M Center St. Paul, MN 55144

© 3M COPYRIGHT 2013
This document and the information it contains are 3M property and may not be reproduced or further distributed without 3M permission, or used or disclosed other than for 3M authorized purposes. All rights reserved.

TITLE: ASSEMBLY HARDWARE, .100 SCI CARRIER

CAGE NUMBER: D78-5100-0802-8

REV. B

DET. [] YES [X] NO SHT 3 OF 3



Компания «ЭлектроПласт» предлагает заключение долгосрочных отношений при поставках импортных электронных компонентов на взаимовыгодных условиях!

Наши преимущества:

- Оперативные поставки широкого спектра электронных компонентов отечественного и импортного производства напрямую от производителей и с крупнейших мировых складов;
- Поставка более 17-ти миллионов наименований электронных компонентов;
- Поставка сложных, дефицитных, либо снятых с производства позиций;
- Оперативные сроки поставки под заказ (от 5 рабочих дней);
- Экспресс доставка в любую точку России;
- Техническая поддержка проекта, помощь в подборе аналогов, поставка прототипов;
- Система менеджмента качества сертифицирована по Международному стандарту ISO 9001;
- Лицензия ФСБ на осуществление работ с использованием сведений, составляющих государственную тайну;
- Поставка специализированных компонентов (Xilinx, Altera, Analog Devices, Intersil, Interpoint, Microsemi, Aeroflex, Peregrine, Syfer, Eurofarad, Texas Instrument, Miteq, Cobham, E2V, MA-COM, Hittite, Mini-Circuits, General Dynamics и др.);

Помимо этого, одним из направлений компании «ЭлектроПласт» является направление «Источники питания». Мы предлагаем Вам помощь Конструкторского отдела:

- Подбор оптимального решения, техническое обоснование при выборе компонента;
- Подбор аналогов;
- Консультации по применению компонента;
- Поставка образцов и прототипов;
- Техническая поддержка проекта;
- Защита от снятия компонента с производства.



Как с нами связаться

Телефон: 8 (812) 309 58 32 (многоканальный)

Факс: 8 (812) 320-02-42

Электронная почта: org@eplast1.ru

Адрес: 198099, г. Санкт-Петербург, ул. Калинина, дом 2, корпус 4, литера А.