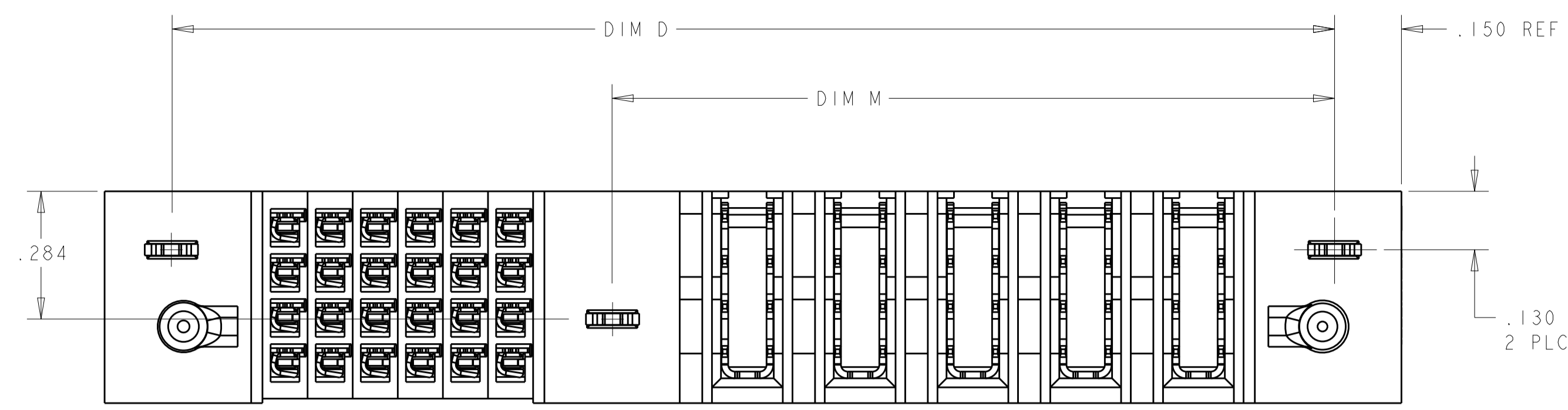
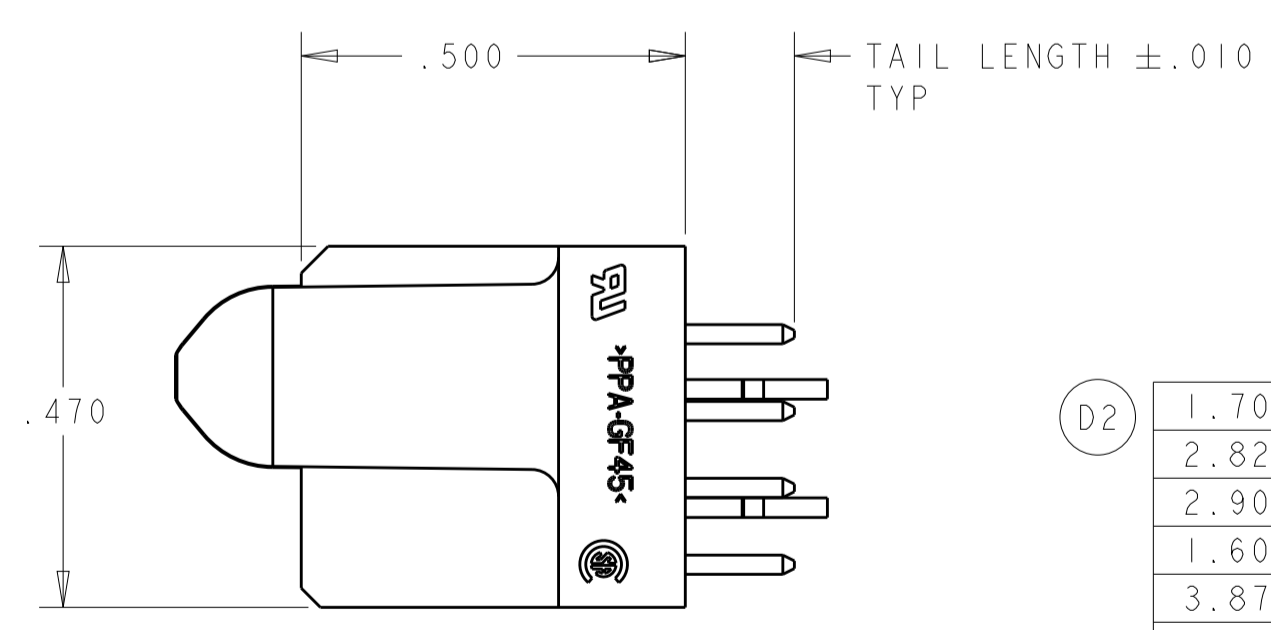
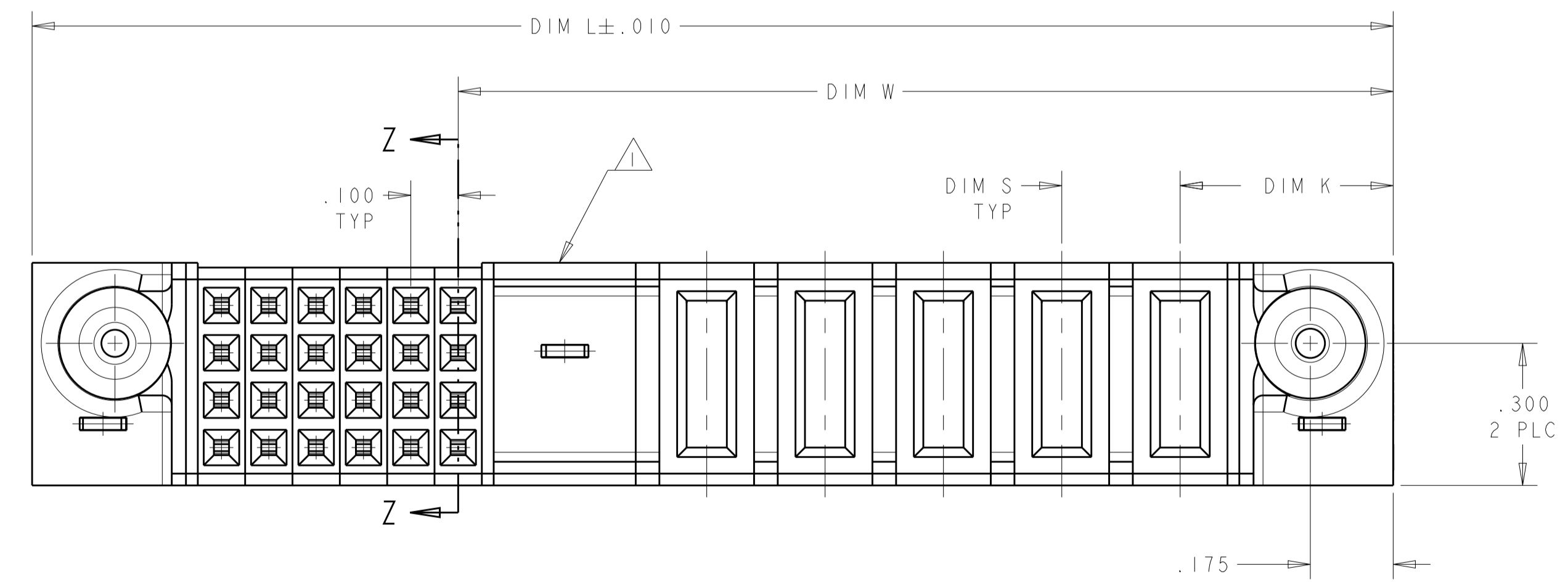
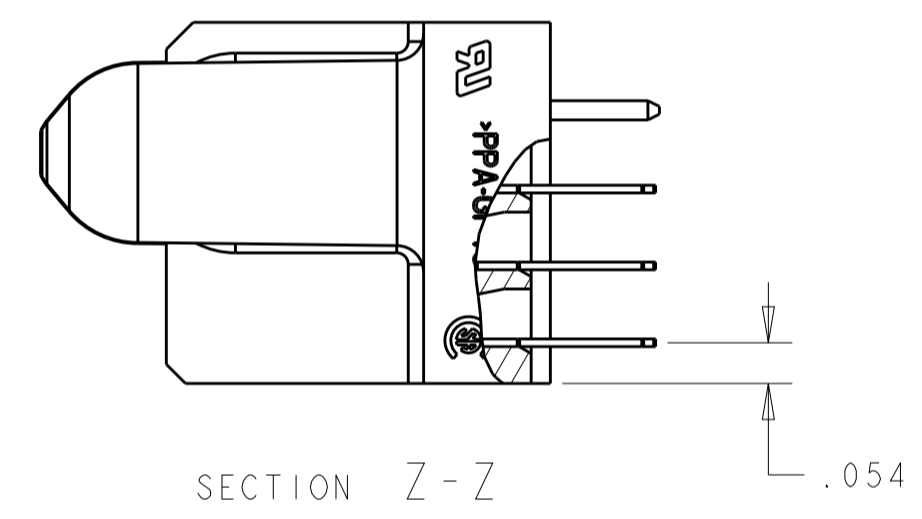
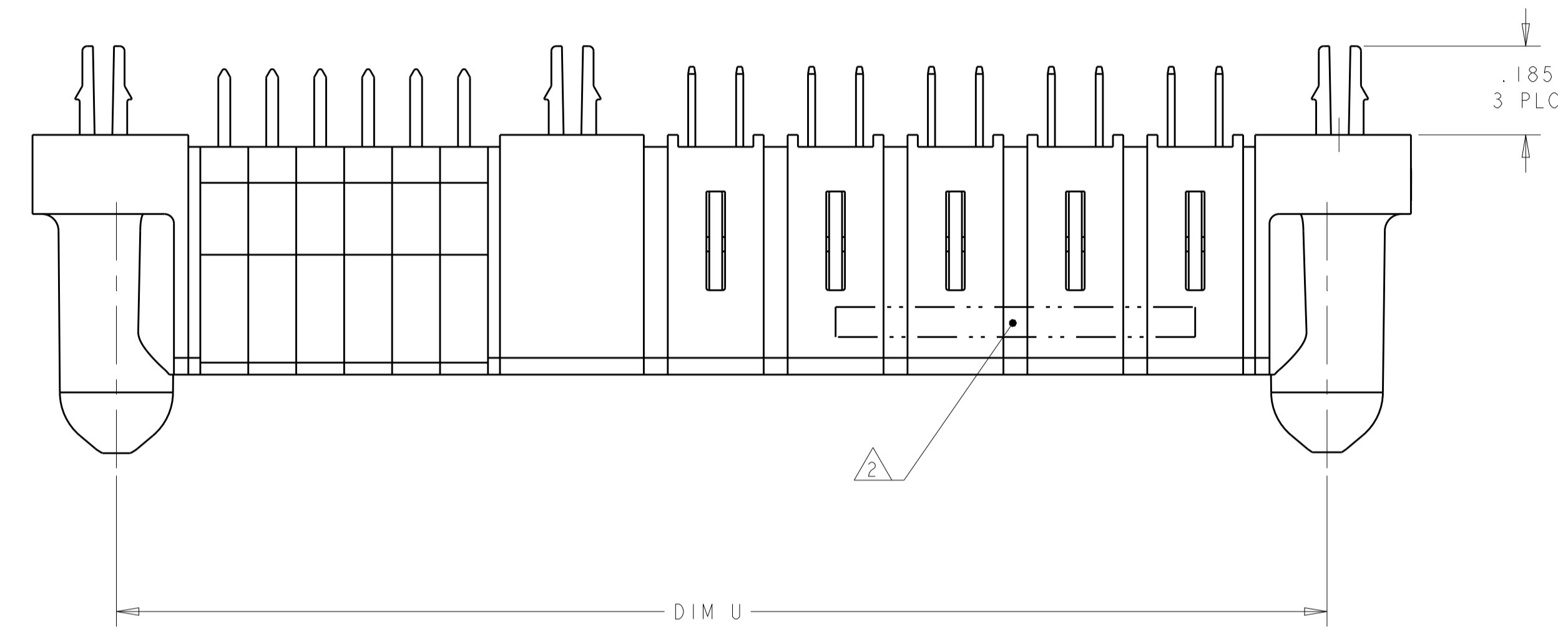


| LOC |     | DIST                    |           | REVISIONS |      |  |  |
|-----|-----|-------------------------|-----------|-----------|------|--|--|
| P   | LTH | DESCRIPTION             | DATE      | DMN       | APVD |  |  |
| D   |     | REV PER ECR-11-023806   | 25NOV2011 | CZ        | SZ   |  |  |
| D2  |     | ADD NEW DASH NUMBER 2-1 | 19AUG2014 | CZ        | SZ   |  |  |



- 1 OPTIONAL CENTER MODULE WITH Ø.150 THRU HOLE OR HOLD DOWN FEATURE
- 2 AMP, PART NUMBER, AND DATE CODE TO BE MARKED IN AREA AS SHOWN  
PARTS UNDER 2.00 LONG MAY BE MARKED ON BOTH SIDES
- 3 MATERIAL: HOUSING - GLASS FILLED HIGH TEMP THERMO PLASTIC, UL94 V-0  
SIGNAL CONTACT - HIGH CONDUCTIVITY COPPER ALLOY  
POWER CONTACT - HIGH CONDUCTIVITY COPPER ALLOY
- 4 CONTACT PLATING: NOBLE METAL PLATING ON CONTACT FUNCTIONAL AREA  
OF POWER AND SIGNAL CONTACTS
- 5 MECHANICAL CONNECTOR KEEP OUT ZONE
- 6 DATUM AND BASIC DIMENSIONS ESTABLISHED BY CUSTOMER
- 7 PCB - ALL HOLE DIAMETERS ARE FINISHED HOLE SIZES
- 8 PCB - .0453 +/- .0010 DRILLED HOLES PLATED WITH .0003 MIN Sn  
OVER .001 TO .003 PLATING TO ACHIEVE A .040 HOLE
- 9 NOT RELEASED FOR PRODUCTION
- 10 VARIABLE DIMENSION SHOW ON TABLE OR PART VIEW.



| DIM U | DIM S | DIM W | DIM D | DIM M | DIM L | DIM K | DESCRIPTION     | PART NUMBER |
|-------|-------|-------|-------|-------|-------|-------|-----------------|-------------|
| 1.700 | .250  | 1.375 | 1.750 | -     | 2.050 | .450  | 4P + 16S        | 2-6450142-1 |
| 2.825 | .250  | 2.300 | 2.875 | -     | 3.175 | .475  | 3ACP + 4P + 24S | 2-6450142-0 |
| 2.900 | .250  | 2.875 | 2.950 | -     | 3.250 | .450  | 10P + 4S        | 1-6450142-9 |
| 1.600 | .250  | 1.375 | 1.650 | -     | 1.950 | .450  | 4P + 12S        | 1-6450142-8 |
| 3.875 | .250  | 3.550 | 3.925 | -     | 4.225 | .475  | 3ACP + 9P + 16S | 1-6450142-7 |
| 2.700 | .250  | .875  | 2.750 | -     | 3.050 | .450  | 2P + 76S        | 1-6450142-4 |
| 2.300 | .250  | 1.875 | 2.350 | -     | 2.650 | .450  | 6P + 20S        | 1-6450142-3 |
| 2.950 | .200  | 2.425 | 3.000 | -     | 3.300 | .450  | 10HDP+24S       | 1-6450142-1 |
| 1.000 | .250  | .875  | 1.050 | -     | 1.350 | .450  | 2P + 8S         | 1-6450142-0 |
| 2.900 | .250  | 2.375 | 2.950 | -     | 3.250 | .450  | 8P + 24S        | 6450142-9   |
| 1.100 | -     | .575  | 1.150 | -     | 1.450 | .425  | 1P + 24S        | 6450142-6   |
| 3.800 | -     | 3.550 | 3.850 | -     | 4.150 | .475  | 11P + 12S       | 6450142-4   |
| 3.000 | .250  | 2.375 | 3.050 | -     | 3.350 | .450  | 8P + 28S        | 6450142-3   |
| 1.675 | .250  | 1.425 | 1.725 | -     | 2.025 | .475  | 4P + 12S        | 6450142-2   |
| 1.675 | .250  | 1.425 | 1.725 | -     | 2.025 | .475  | 4P + 12S        | 6450142-1   |

THIS DRAWING IS A CONTROLLED DOCUMENT. DWN: R.GRZYBOWSKI 15FEB05  
 CHK: M.PERCHEKKE 15FEB05

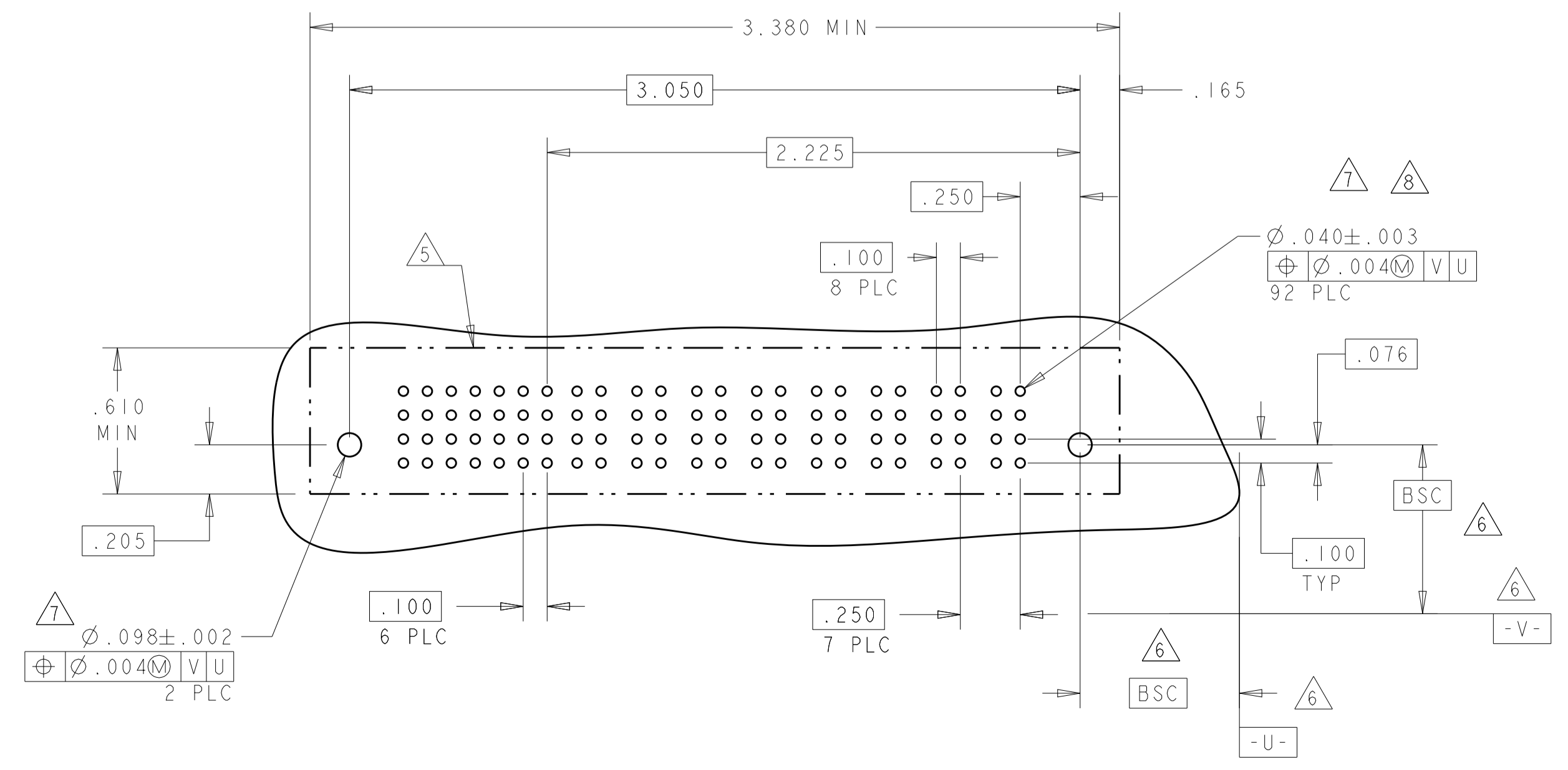
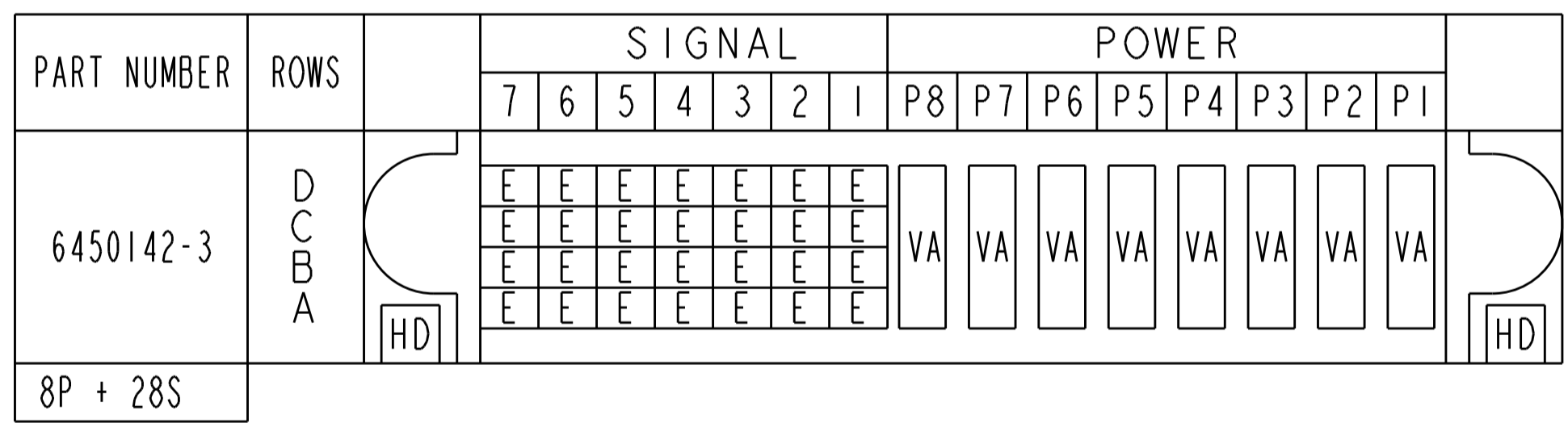
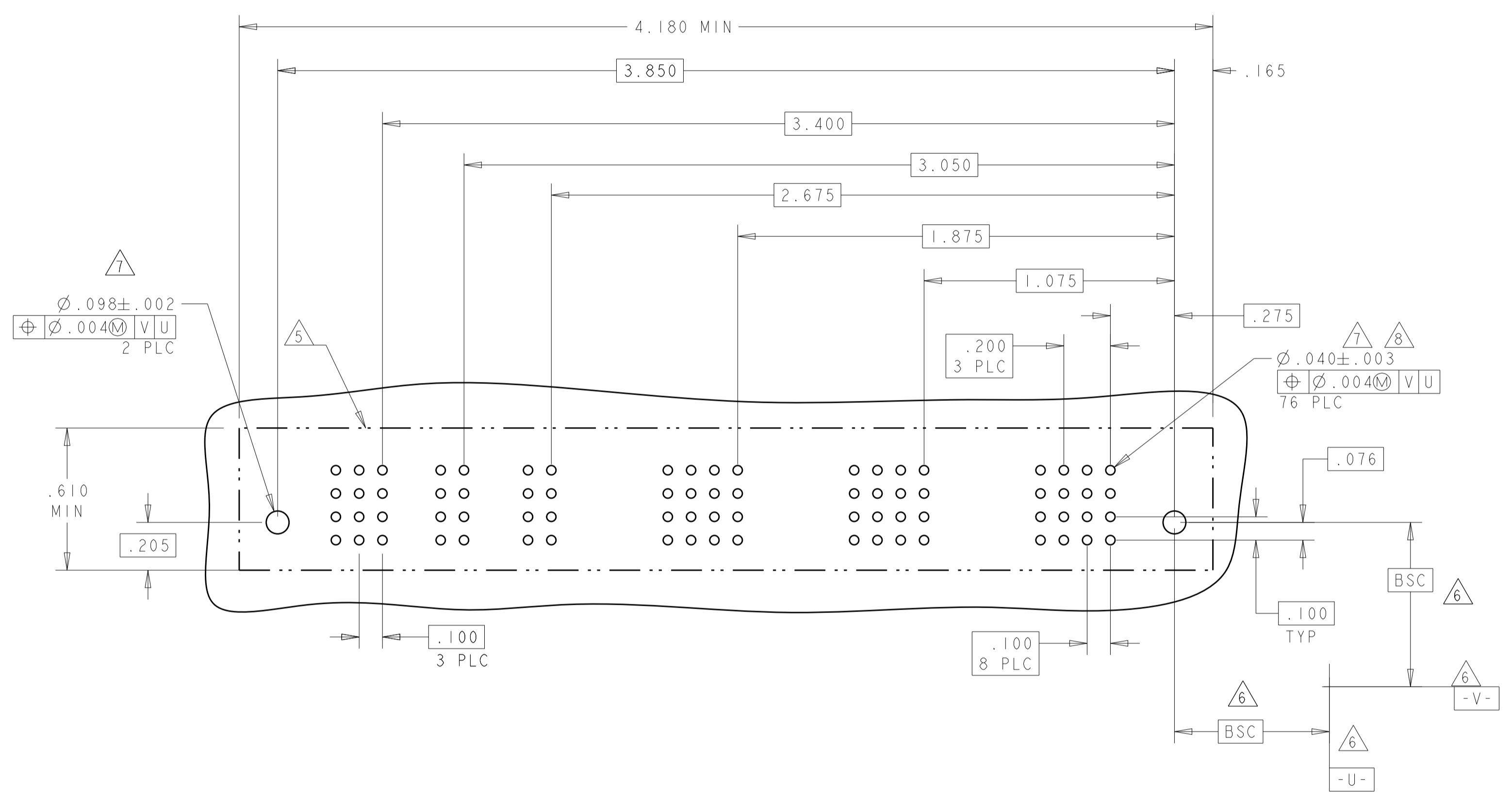
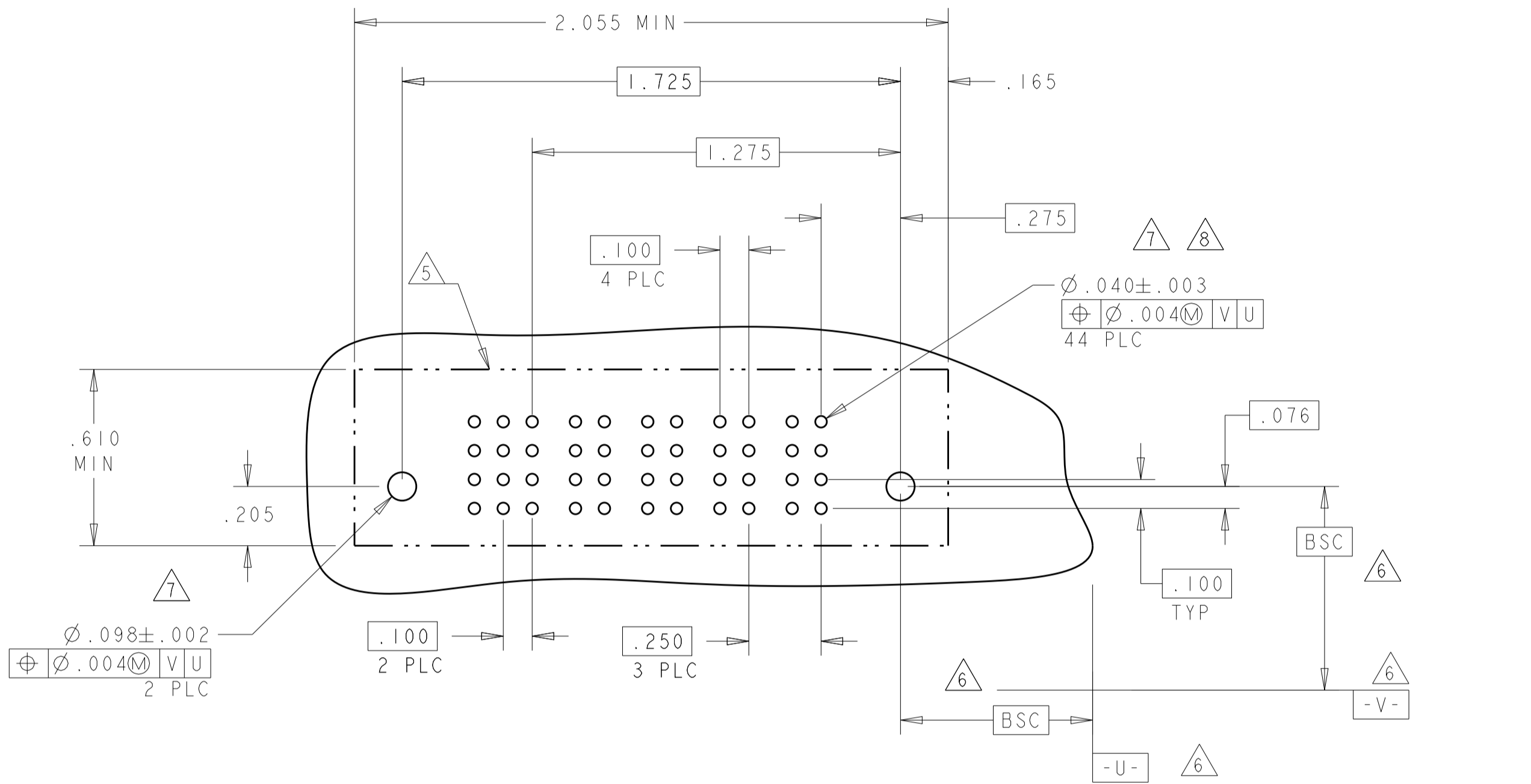
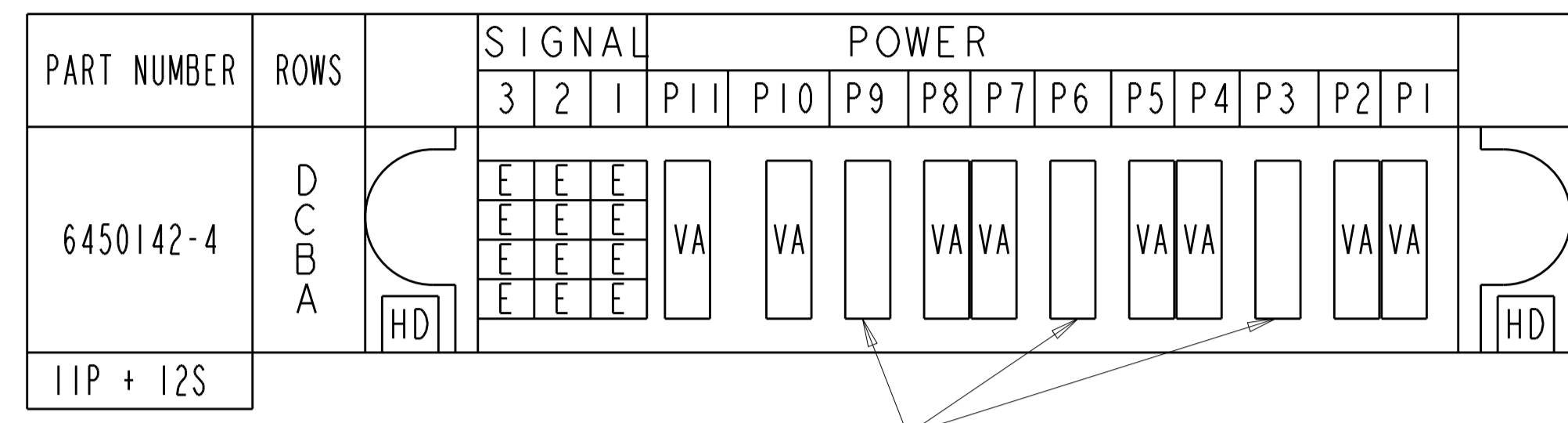
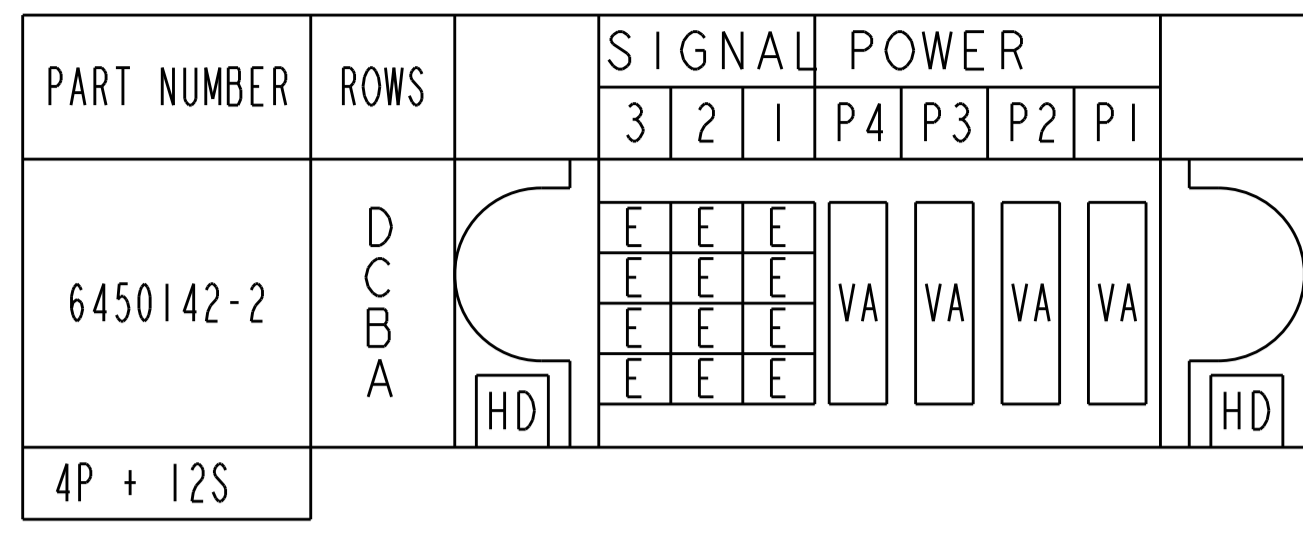
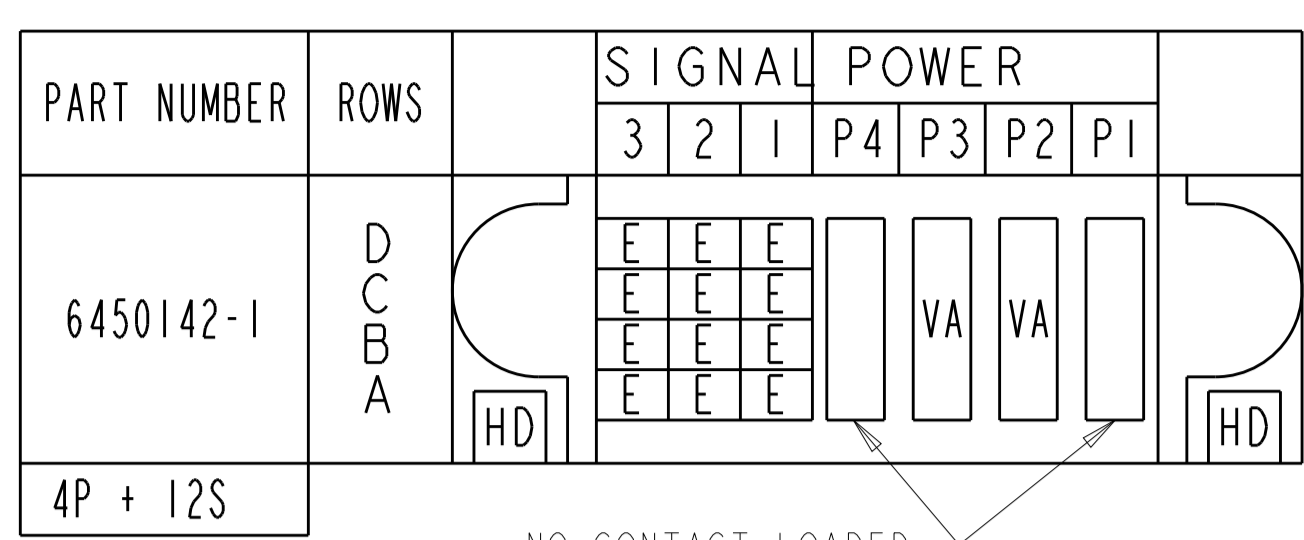
TE Connectivity

**VERTICAL RECEPTACLE ASSEMBLY WITH GUIDES MULTI-BEAM XL**

SIZE: 114-13038 CAGE CODE: 6450142  
 WEIGHT: -  
 CUSTOMER DRAWING

SCALE: 4:1 SHEET 1 OF 8 REV: D2

| LOC |    | DIST |     | REVISIONS   |      |     |      |
|-----|----|------|-----|-------------|------|-----|------|
| ES  | 00 | P    | LTN | DESCRIPTION | DATE | OWN | APVD |
|     |    | -    |     | SEE SHEET 1 |      |     |      |



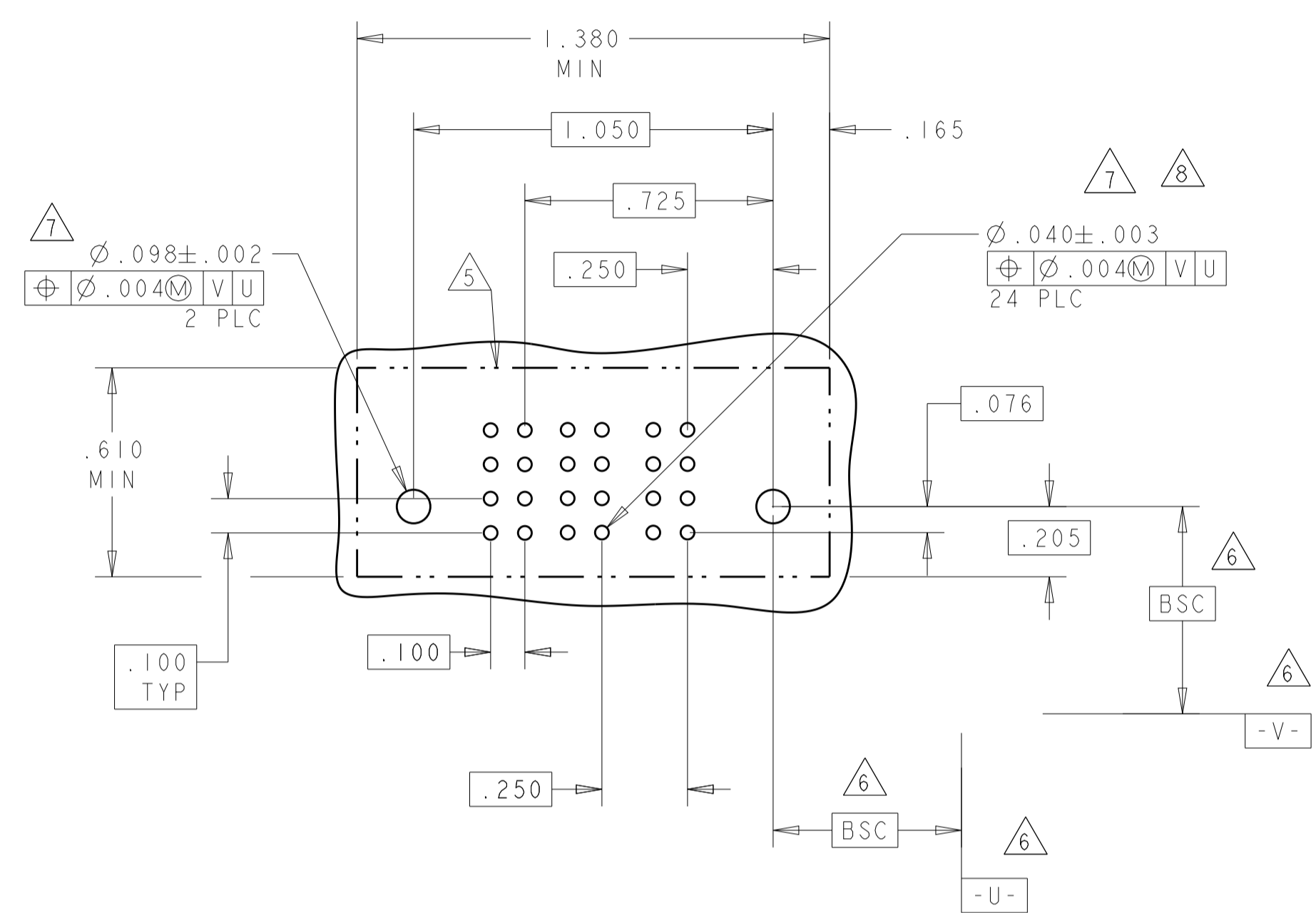
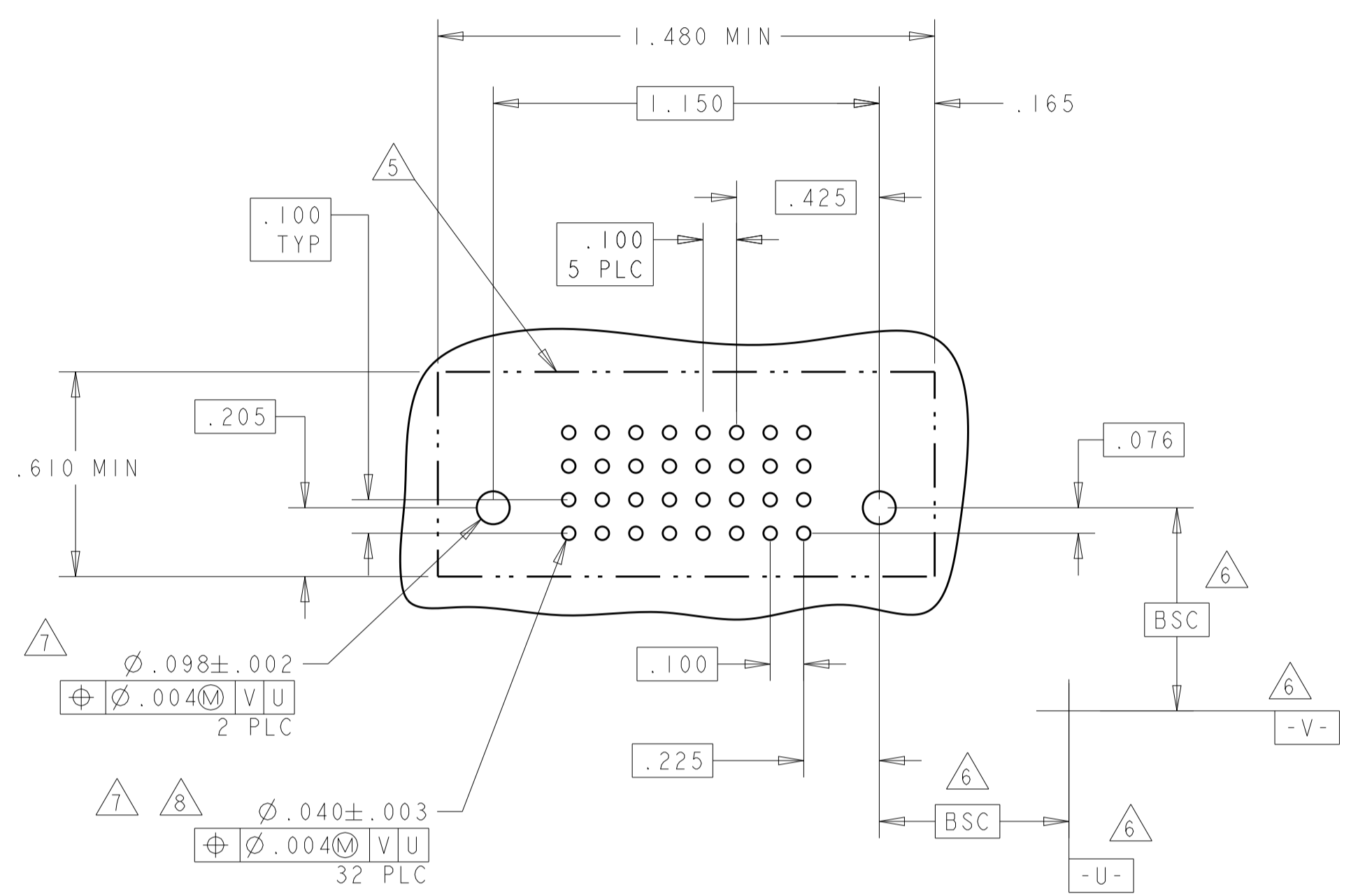
| CODE | TAIL LENGTH | CODE | TAIL LENGTH | DESCRIPTION |
|------|-------------|------|-------------|-------------|
| VN   | .090        | STD  |             |             |
| VB   | .090        | MFBL |             |             |
| VM   | .135        | STD  |             |             |
| VA   | .135        | MFBL |             |             |
| J    | .090        |      |             |             |
| E    | .135        |      |             |             |

|  |  |                    |         |  |
|--|--|--------------------|---------|--|
| THIS DRAWING IS A CONTROLLED DOCUMENT. |  | OWN: R. GRZYBOWSKI | 15FEB05 | <br>TE Connectivity                                    |
| DIMENSIONS: INCHES                     |  | CHK: M. PERCHERKE  | 15FEB05 |  |
| TOLERANCES UNLESS OTHERWISE SPECIFIED: |  | APVD: M. PERCHERKE |         | VERTICAL RECEPTACLE ASSEMBLY WITH GUIDES MULTI-BEAM XL |
| 0 PLC ±.01                             |  | PRODUCT SPEC       |         |  |
| 1 PLC ±.01                             |  | 108-1973           |         |  |
| 2 PLC ±.005                            |  | APPLICATION SPEC   |         |  |
| 3 PLC ±.002                            |  | 114-13038          |         | SIZE: CAGE CODE: DRAWING NO: A100779C=6450142          |
| 4 PLC ±.002                            |  | WEIGHT             |         |  |
| ANGLES ±.020                           |  | CUSTOMER DRAWING   |         | SCALE: 4:1 SHEET 2 OF 8 REV D2                         |

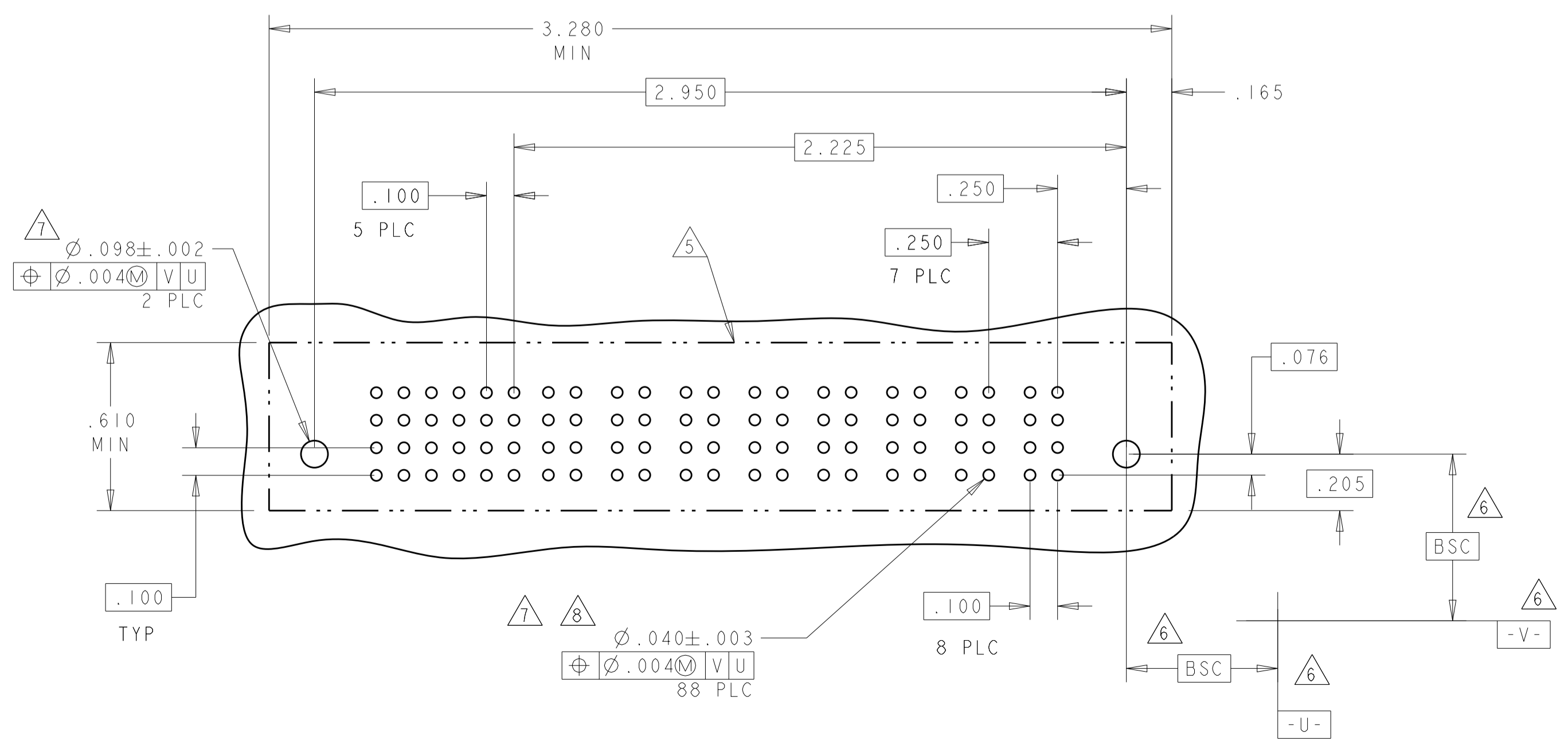
| LOC | DIST | REVISIONS |     |             |      |     |      |
|-----|------|-----------|-----|-------------|------|-----|------|
| ES  | 00   | P         | LTN | DESCRIPTION | DATE | DWN | APVD |
|     |      | -         |     | SEE SHEET 1 |      |     |      |

| PART NUMBER | ROWS             | SIGNAL |   |   |   |   |   | POWER |
|-------------|------------------|--------|---|---|---|---|---|-------|
|             |                  | 6      | 5 | 4 | 3 | 2 | 1 | PI    |
| 6450142-6   | D<br>C<br>B<br>A | E      | E | E | E | E | E | VA    |
|             |                  | E      | E | E | E | E | E |       |
|             |                  | E      | E | E | E | E | E |       |
|             |                  | E      | E | E | E | E | E |       |
| IP + 24S    |                  |        |   |   |   |   |   |       |

| PART NUMBER | ROWS             | SIGNAL |   | POWER |    |
|-------------|------------------|--------|---|-------|----|
|             |                  | 2      | 1 | P2    | PI |
| 1-6450142-0 | D<br>C<br>B<br>A | E      | E | VA    | VA |
|             |                  | E      | E |       |    |
|             |                  | E      | E |       |    |
|             |                  | E      | E |       |    |
| 2P + 8S     |                  |        |   |       |    |



| PART NUMBER | ROWS             | SIGNAL |   |   |   |   |   |    |    | POWER |    |    |    |    |    |  |
|-------------|------------------|--------|---|---|---|---|---|----|----|-------|----|----|----|----|----|--|
|             |                  | 6      | 5 | 4 | 3 | 2 | 1 | P8 | P7 | P6    | P5 | P4 | P3 | P2 | PI |  |
| 6450142-9   | D<br>C<br>B<br>A | E      | E | E | E | E | E | VA | VA | VA    | VA | VA | VA | VA | VA |  |
|             |                  | E      | E | E | E | E | E |    |    |       |    |    |    |    |    |  |
|             |                  | E      | E | E | E | E | E |    |    |       |    |    |    |    |    |  |
|             |                  | E      | E | E | E | E | E |    |    |       |    |    |    |    |    |  |
| 8P + 24S    |                  |        |   |   |   |   |   |    |    |       |    |    |    |    |    |  |



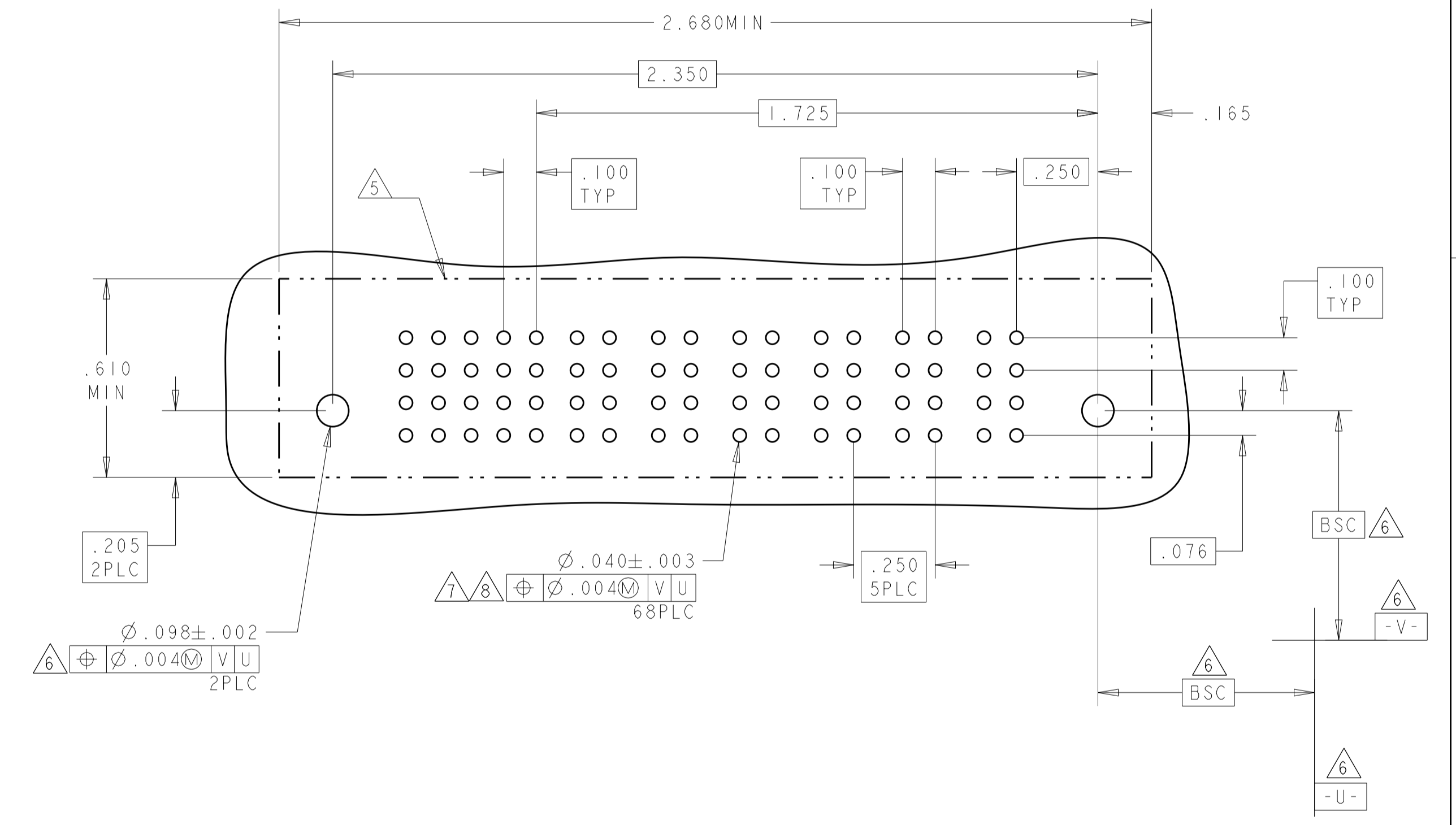
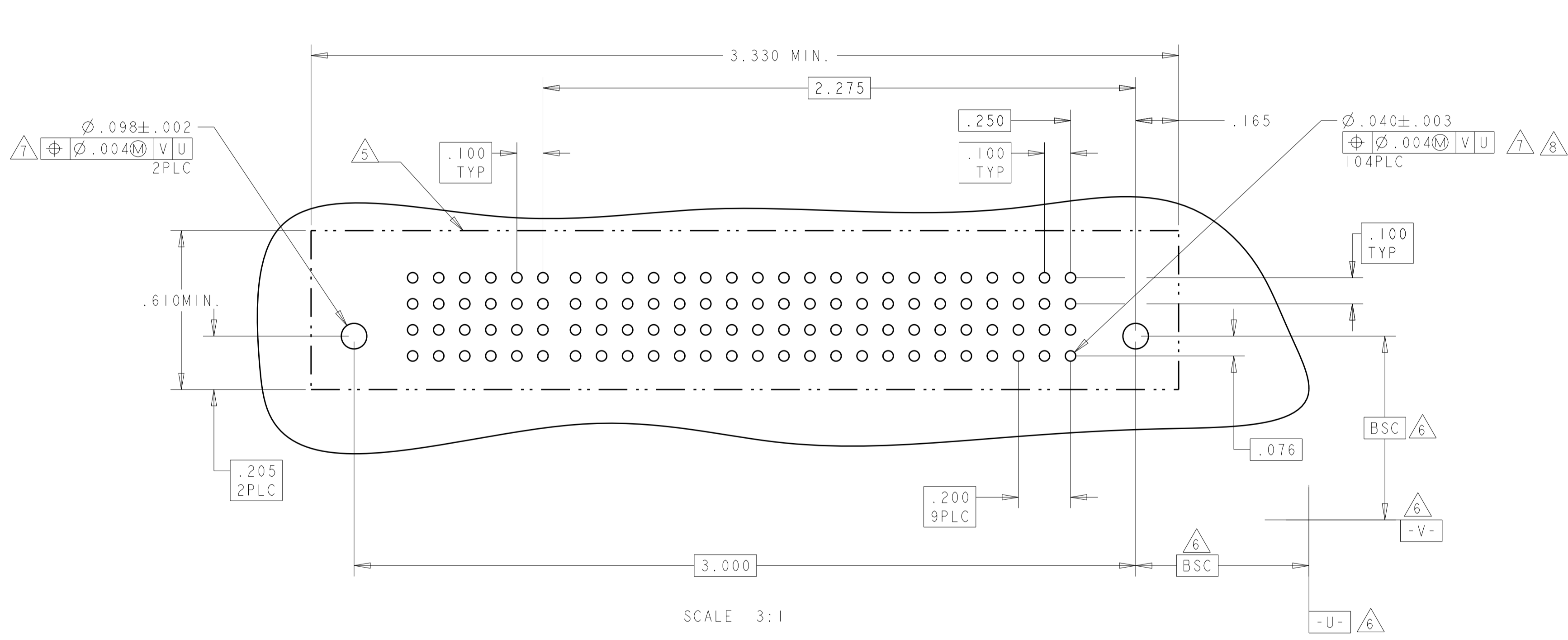
THIS DRAWING IS A CONTROLLED DOCUMENT.

|                       |  |   |  |
|-----------------------|--|---|--|
| DIMENSIONS:<br>INCHES | TOLERANCES UNLESS OTHERWISE SPECIFIED:<br>0 PLC ±.<br>1 PLC ±.01<br>2 PLC ±.01<br>3 PLC ±.005<br>4 PLC ±.0020<br>ANGLES ±.2° | DWN: R. GRZYBOWSKI 15FEB05<br>CHK: M. PERCHERKE 15FEB05<br>APVD: M. PERCHERKE | NAME: VERTICAL RECEPTACLE ASSEMBLY WITH GUIDES MULTI-BEAM XL |
| MATERIAL: -           | FINISH: -  | PRODUCT SPEC: 108-1973<br>APPLICATION SPEC: 114-13038<br>WEIGHT: -            | SIZE: A1<br>CAGE CODE: 6450142<br>DRAWING NO: 100779         |
| CUSTOMER DRAWING      |  | SCALE: 4:1  | SHEET 3 OF 8 REV D2  |

| LOC |     | DIST        |      | REVISIONS |      |  |  |
|-----|-----|-------------|------|-----------|------|--|--|
| P   | LYN | DESCRIPTION | DATE | OWN       | APVD |  |  |
| -   | -   | SEE SHEET 1 | -    | -         | -    |  |  |

| PART NUMBER | HOUSING P/N | ROWS             | SIGNAL |   |   |   |   | POWER |     |    |    |    | HD | HD |    |    |    |    |
|-------------|-------------|------------------|--------|---|---|---|---|-------|-----|----|----|----|----|----|----|----|----|----|
|             |             |                  | 6      | 5 | 4 | 3 | 2 | 1     | P10 | P9 | P8 | P7 |    |    | P6 | P5 | P4 | P3 |
| 1-6450142-1 | 1-1450182-8 | D<br>C<br>B<br>A | E      | E | E | E | E | E     | VA  | VA | VA | VA | VA | VA | VA | VA | VA | VA |
| 10HDP + 24S |             |                  |        |   |   |   |   |       |     |    |    |    |    |    |    |    |    |    |

| PART NUMBER | ROWS             | SIGNAL |   |   |   |   | POWER |    |    |    |    | HD | HD |
|-------------|------------------|--------|---|---|---|---|-------|----|----|----|----|----|----|
|             |                  | 5      | 4 | 3 | 2 | 1 | P6    | P5 | P4 | P3 | P2 |    |    |
| 1-6450142-3 | D<br>C<br>B<br>A | E      | E | E | E | E | VM    | VM | VM | VM | VM | VM |    |
| 6P + 20S    |                  |        |   |   |   |   |       |    |    |    |    |    |    |

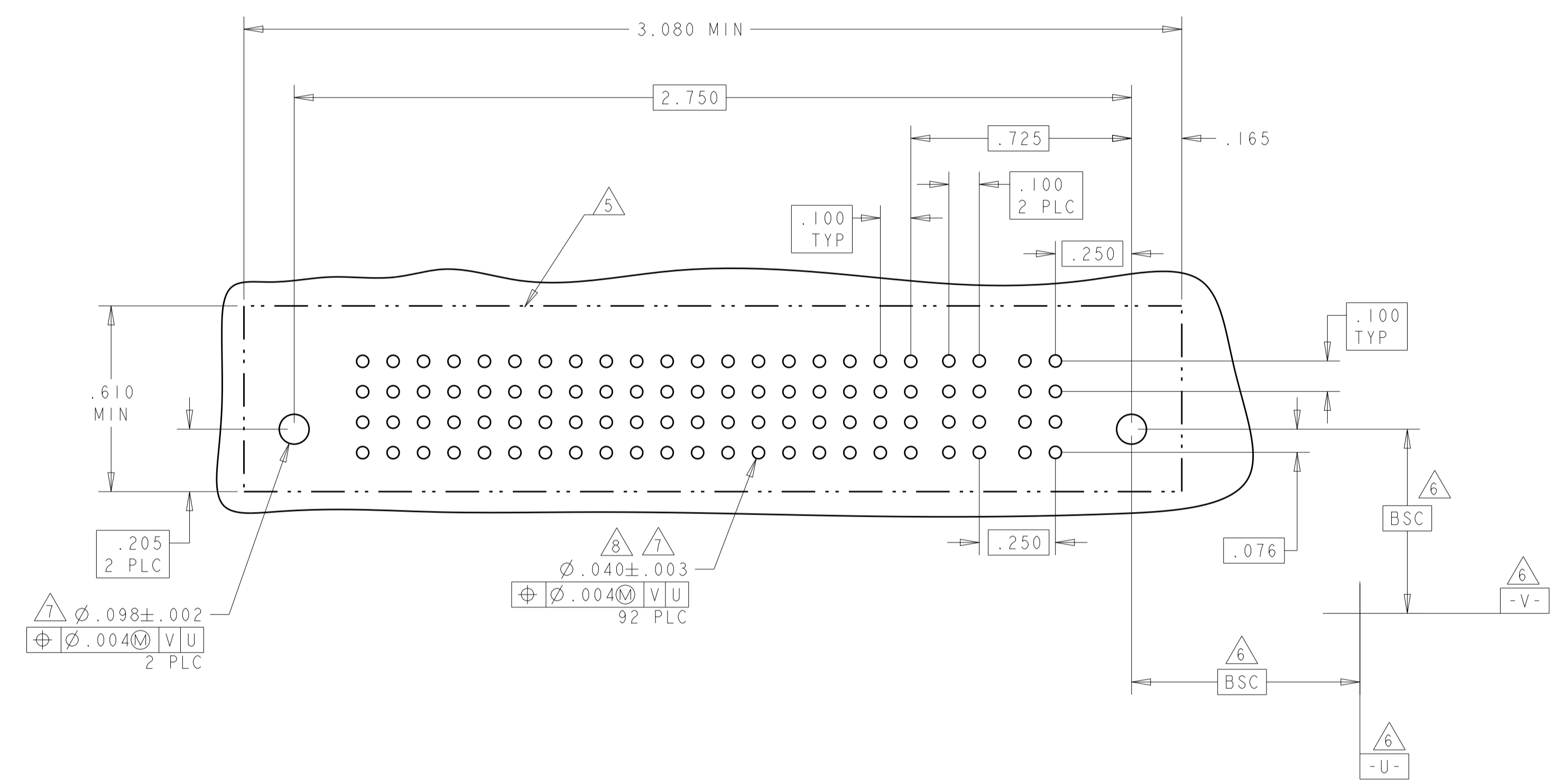


SCALE 3:1

|  |  |                             |  |
|--|--|-----------------------------|--|
| THIS DRAWING IS A CONTROLLED DOCUMENT.   |  | OWN: R. GRZYBOWSKI 15FEB05  |  |
| DIMENSIONS: INCHES   |  | CHK: M. PERCHERKE 15FEB05   |  |
| TOLERANCES UNLESS OTHERWISE SPECIFIED:   |  | APVD: M. PERCHERKE          | NAME: VERTICAL RECEPTACLE ASSEMBLY WITH GUIDES MULTI-BEAM XL |
| 0 PLC ±.<br>1 PLC ±.<br>2 PLC ±.01<br>3 PLC ±.005<br>4 PLC ±.0020<br>ANGLES ±.020° |  | PRODUCT SPEC: 108-1973      | SIZE: A1   |
| MATERIAL: -  |  | APPLICATION SPEC: 114-13038 | CAGE CODE: C=6450142   |
| FINISH: -  |  | WEIGHT: -                   | RESTRICTED TO: -   |
|  |  | CUSTOMER DRAWING            | SCALE: 4:1 SHEET 4 OF 8 REV: D2                              |

| LOC | DIST | REVISIONS   |      |     |      |
|-----|------|-------------|------|-----|------|
| P   | LTN  | DESCRIPTION | DATE | DMN | APVD |
| ES  | 00   | SEE SHEET 1 | -    | -   | -    |
|     |      |             |      |     |      |
|     |      |             |      |     |      |

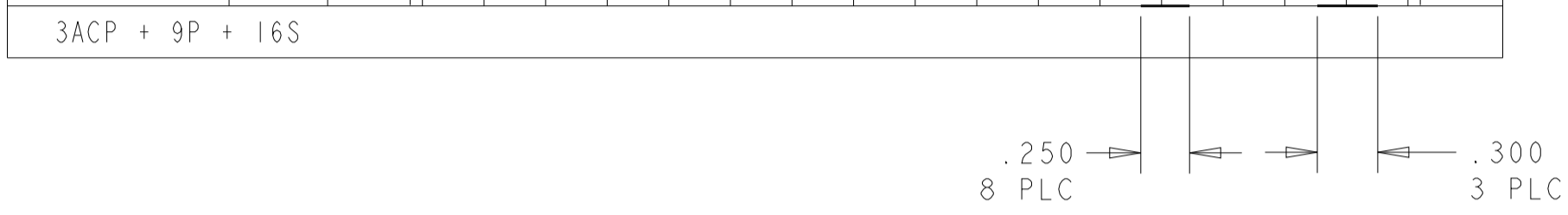
| PART NUMBER | ROWS | SIGNAL |    |    |    |    |    |    |    |    |    |   |   |   |   |   |   |   |   |   | POWER |    |
|-------------|------|--------|----|----|----|----|----|----|----|----|----|---|---|---|---|---|---|---|---|---|-------|----|
|             |      | 19     | 18 | 17 | 16 | 15 | 14 | 13 | 12 | 11 | 10 | 9 | 8 | 7 | 6 | 5 | 4 | 3 | 2 | 1 | P2    | P1 |
| 1-6450142-4 | D    | E      | E  | E  | E  | E  | E  | E  | E  | E  | E  | E | E | E | E | E | E | E | E | E | VM    | VM |
|             | C    | E      | E  | E  | E  | E  | E  | E  | E  | E  | E  | E | E | E | E | E | E | E | E | E | VM    | VM |
|             | B    | E      | E  | E  | E  | E  | E  | E  | E  | E  | E  | E | E | E | E | E | E | E | E | E |       |    |
| 2P + 76S    | A    |        |    |    |    |    |    |    |    |    |    |   |   |   |   |   |   |   |   |   |       |    |



|  |        |                             |  |       |      |       |      |       |       |       |        |        |      |                        |          |
|--|--------|-----------------------------|--|-------|------|-------|------|-------|-------|-------|--------|--------|------|------------------------|----------|
| THIS DRAWING IS A CONTROLLED DOCUMENT.   |        | DMN: R. GRZYBOWSKI 15FEB05  |  |       |      |       |      |       |       |       |        |        |      |                        |          |
| DIMENSIONS: INCHES   |        | CHK: M. PERCHERKE 15FEB05   |  |       |      |       |      |       |       |       |        |        |      |                        |          |
| TOLERANCES UNLESS OTHERWISE SPECIFIED:   |        | APVD: M. PERCHERKE          | NAME: VERTICAL RECEPTACLE ASSEMBLY WITH GUIDES MULTI-BEAM XL |       |      |       |      |       |       |       |        |        |      |                        |          |
| <table border="1"> <tr><td>0 PLC</td><td>±</td></tr> <tr><td>1 PLC</td><td>±.01</td></tr> <tr><td>2 PLC</td><td>±.01</td></tr> <tr><td>3 PLC</td><td>±.005</td></tr> <tr><td>4 PLC</td><td>±.0020</td></tr> <tr><td>ANGLES</td><td>±.2°</td></tr> </table> |        | 0 PLC                       | ±  | 1 PLC | ±.01 | 2 PLC | ±.01 | 3 PLC | ±.005 | 4 PLC | ±.0020 | ANGLES | ±.2° | PRODUCT SPEC: 108-1973 | SIZE: A1 |
| 0 PLC  | ±      |                             |  |       |      |       |      |       |       |       |        |        |      |                        |          |
| 1 PLC  | ±.01   |                             |  |       |      |       |      |       |       |       |        |        |      |                        |          |
| 2 PLC  | ±.01   |                             |  |       |      |       |      |       |       |       |        |        |      |                        |          |
| 3 PLC  | ±.005  |                             |  |       |      |       |      |       |       |       |        |        |      |                        |          |
| 4 PLC  | ±.0020 |                             |  |       |      |       |      |       |       |       |        |        |      |                        |          |
| ANGLES   | ±.2°   |                             |  |       |      |       |      |       |       |       |        |        |      |                        |          |
| MATERIAL: -  |        | APPLICATION SPEC: 114-13038 | CAGE CODE: C=6450142   |       |      |       |      |       |       |       |        |        |      |                        |          |
| FINISH: -  |        | WEIGHT: -                   | RESTRICTED TO: -   |       |      |       |      |       |       |       |        |        |      |                        |          |
| CUSTOMER DRAWING   |        | SCALE: 4:1                  | SHEET 5 OF 8 REV D2  |       |      |       |      |       |       |       |        |        |      |                        |          |

| LOC |    | DIST |     | REVISIONS   |      |     |      |
|-----|----|------|-----|-------------|------|-----|------|
| ES  | 00 | P    | LTN | DESCRIPTION | DATE | DWN | APVD |
|     |    | -    |     | SEE SHEET 1 |      |     |      |

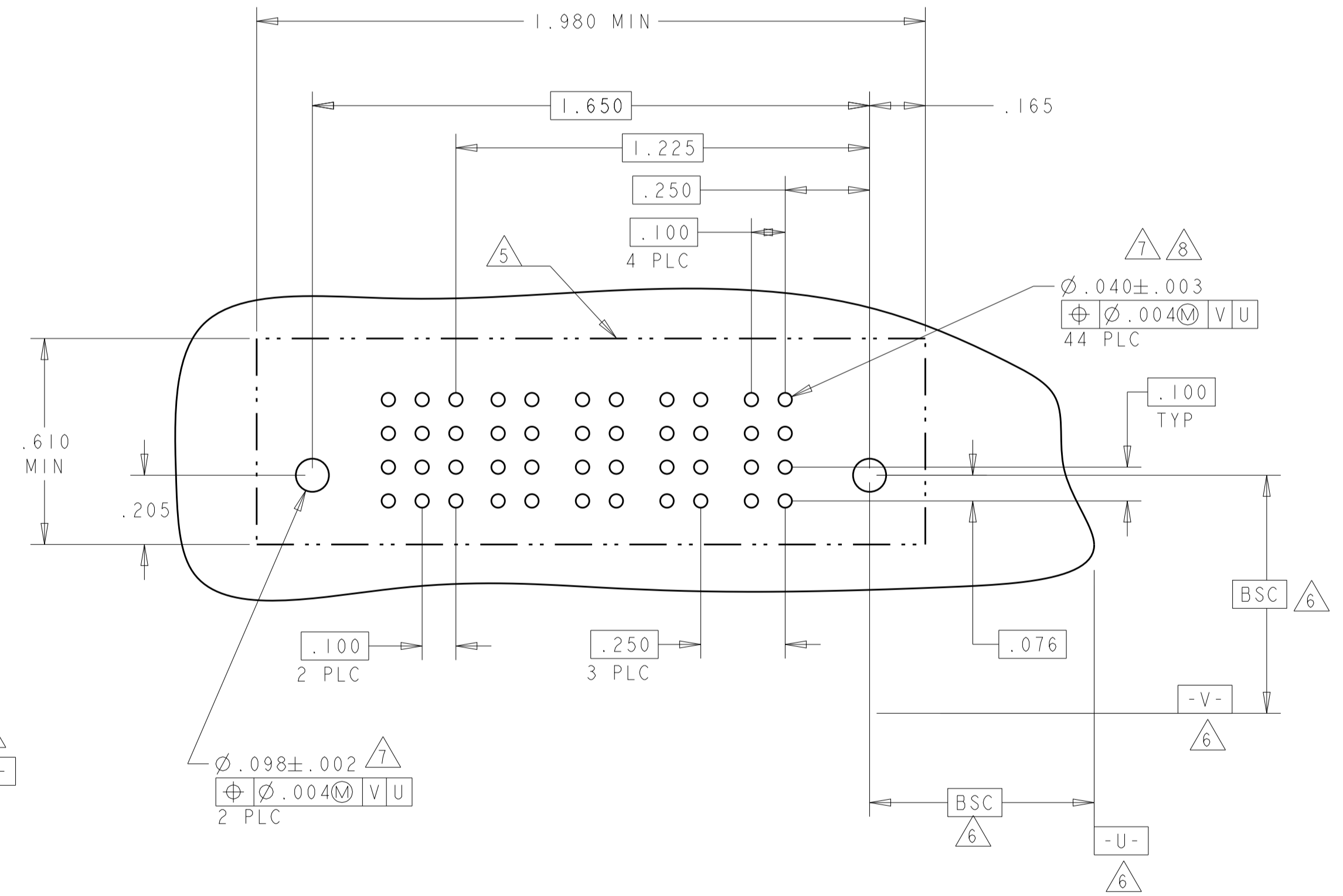
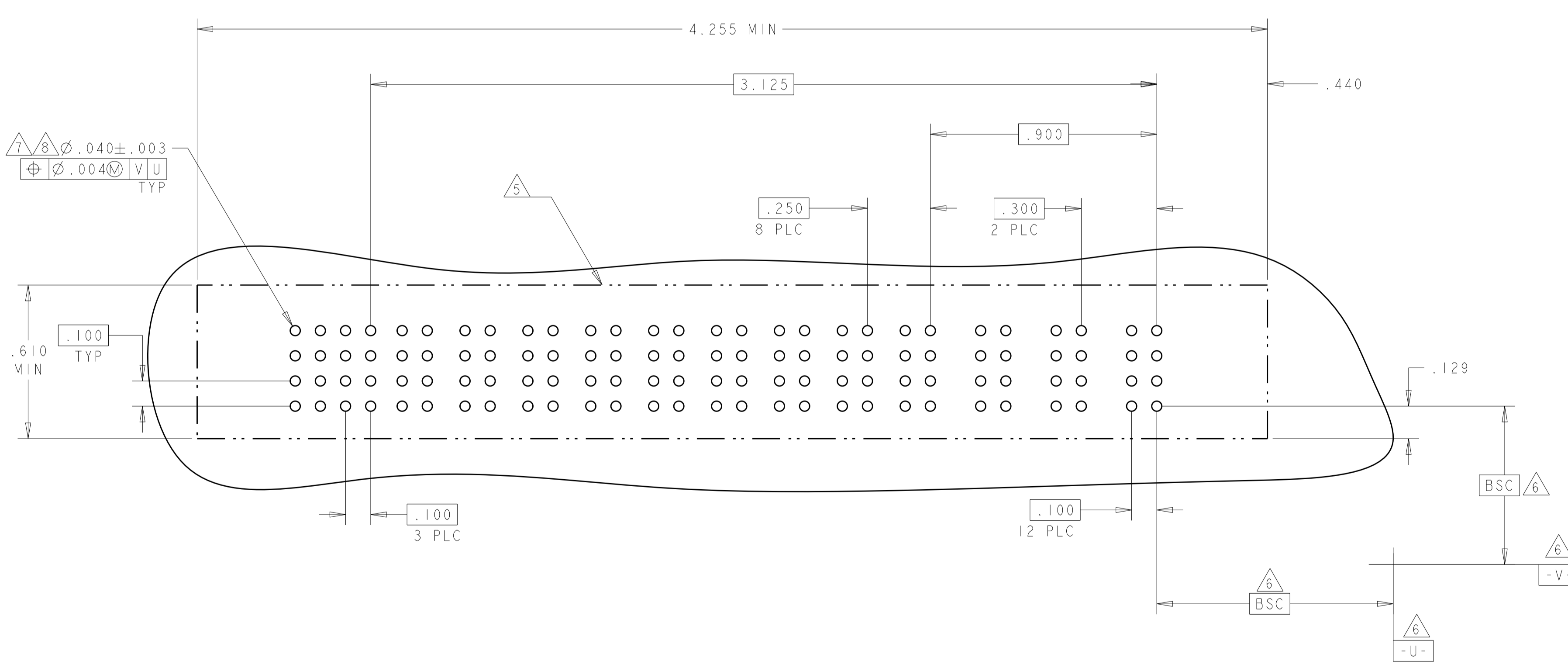
| PART NUMBER | ROWS | POWER |   |   |   |     |     |     |    |    |    |    |    |    |    |    |    |
|-------------|------|-------|---|---|---|-----|-----|-----|----|----|----|----|----|----|----|----|----|
|             |      | 4     | 3 | 2 | 1 | P12 | P11 | P10 | P9 | P8 | P7 | P6 | P5 | P4 | P3 | P2 | P1 |
| I-6450142-7 | D    | E     | E | E | E |     |     |     |    |    |    |    |    |    |    |    |    |
|             | C    | E     | E | E | E |     |     |     |    |    |    |    |    |    |    |    |    |
|             | B    | E     | E | E | E | VM  | VM  | VM  | VM | VM | VM | VM | VM | VA | VM | VM |    |
|             | A    | E     | E | E | E |     |     |     |    |    |    |    |    |    |    |    |    |



| PART NUMBER | ROWS | SIGNAL |   |   | POWER |    |    |    |
|-------------|------|--------|---|---|-------|----|----|----|
|             |      | 3      | 2 | 1 | P4    | P3 | P2 | P1 |
| I-6450142-8 | D    | E      | E | E |       |    |    |    |
|             | C    | E      | E | E | VA    | VA | VA | VA |
|             | B    | E      | E | E |       |    |    |    |
|             | A    | E      | E | E |       |    |    |    |

(C2)

4P + 12S



THIS DRAWING IS A CONTROLLED DOCUMENT. DWN: R. GRZYBOWSKI 15FEB05  
 CHK: M. PERCHERKE 15FEB05  
 APVD: M. PERCHERKE

DIMENSIONS: INCHES. TOLERANCES UNLESS OTHERWISE SPECIFIED:  
 0 PLC ±.01  
 1 PLC ±.01  
 2 PLC ±.01  
 3 PLC ±.005  
 4 PLC ±.0020  
 ANGLES ±.2°

MATERIAL: FINISH:

NAME: VERTICAL RECEPTACLE ASSEMBLY WITH GUIDES MULTI-BEAM XL  
 PRODUCT SPEC: 108-1973  
 APPLICATION SPEC: 114-13038  
 WEIGHT: 114-13038

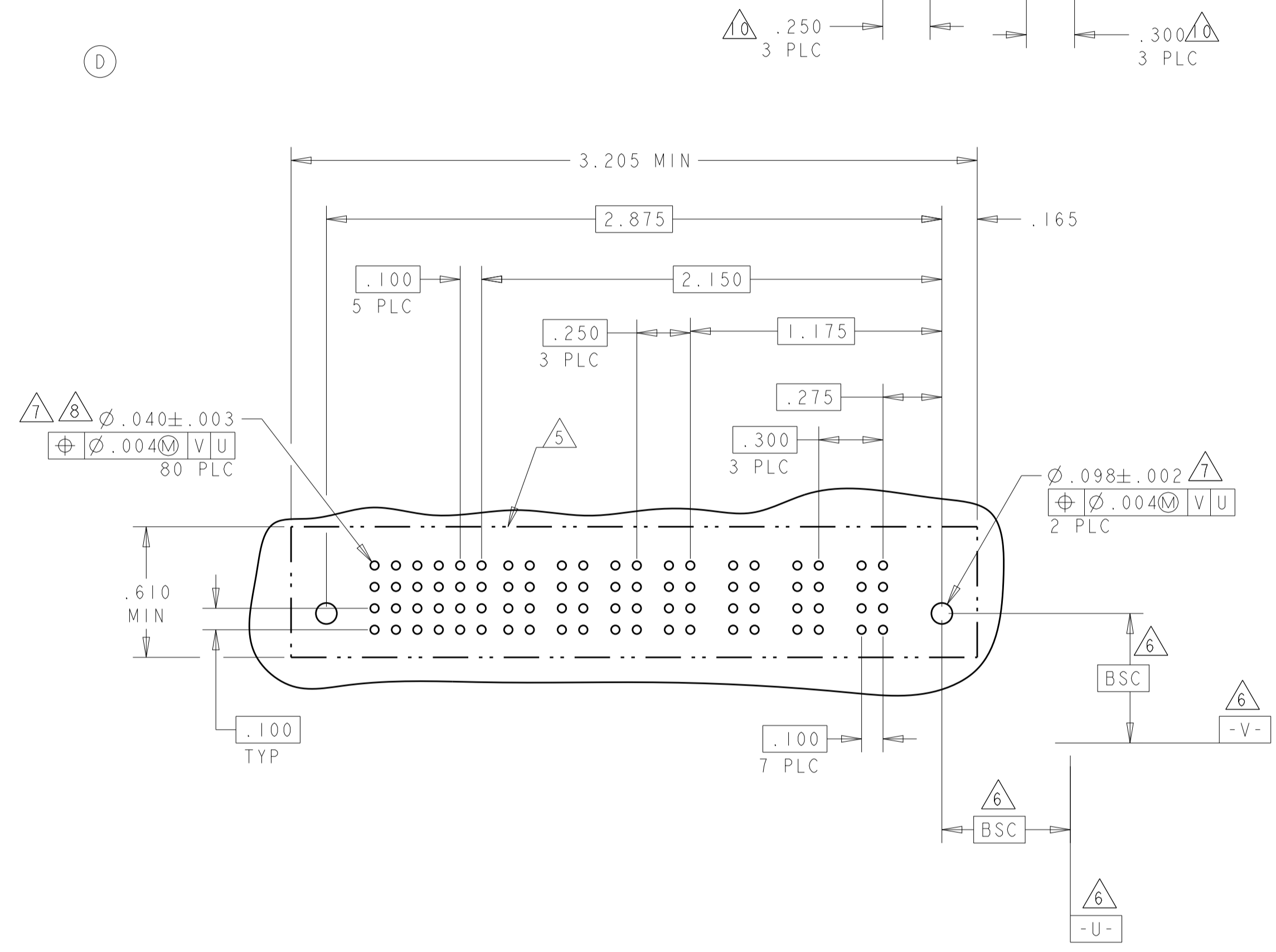
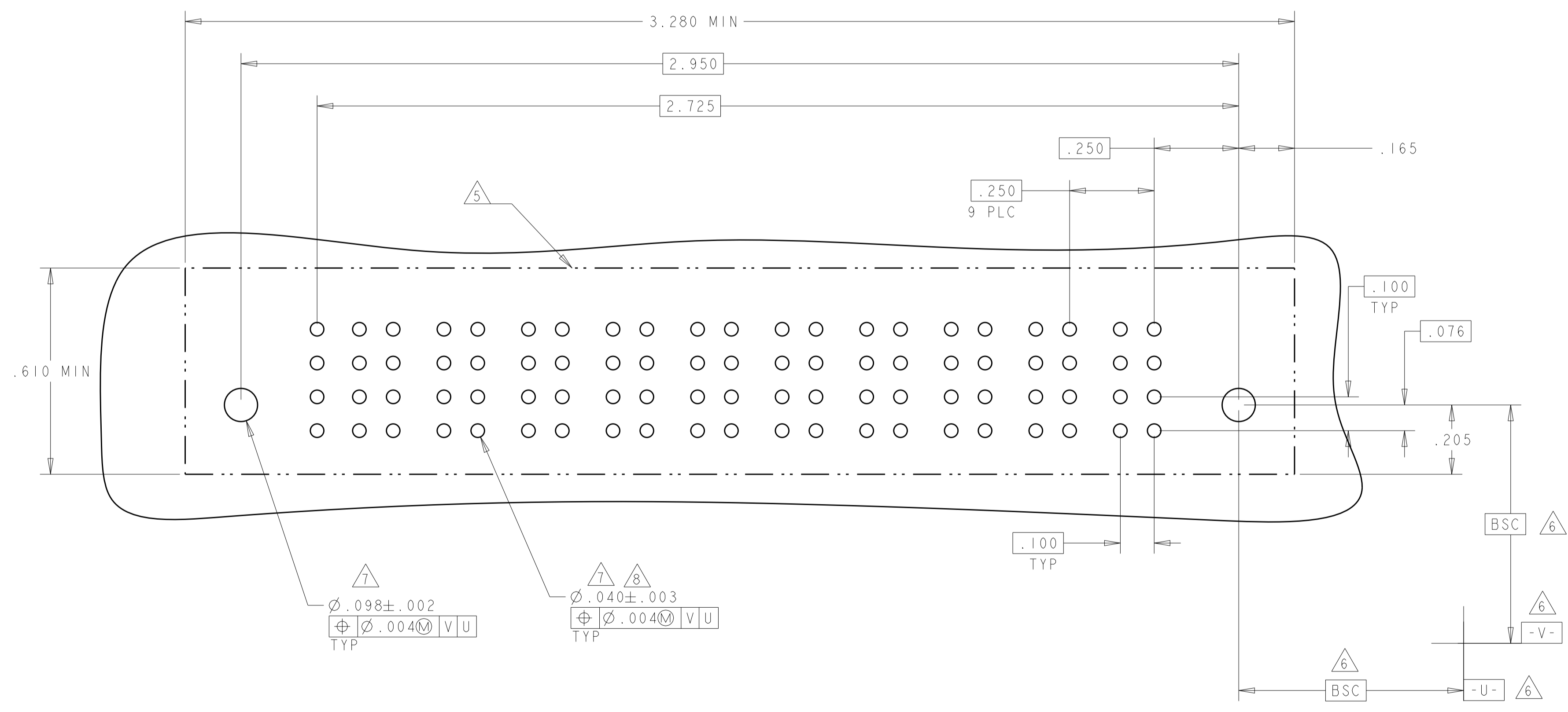
SIZE: A1  
 CAGE CODE: 100779  
 DRAWING NO: 6450142  
 SHEET 6 OF 8  
 REV D2

CUSTOMER DRAWING SCALE: 4:1

| LOC | DIST | REVISIONS   |      |     |      |
|-----|------|-------------|------|-----|------|
| P   | LTN  | DESCRIPTION | DATE | DMN | APVD |
| ES  | 00   | SEE SHEET 1 |      |     |      |

| PART NUMBER | ROWS             | SIGNAL           | POWER |     |    |    |    |    |    |    |    |    |    |    |
|-------------|------------------|------------------|-------|-----|----|----|----|----|----|----|----|----|----|----|
|             |                  |                  | I     | P10 | P9 | P8 | P7 | P6 | P5 | P4 | P3 | P2 | P1 |    |
| 1-6450142-9 | D<br>C<br>B<br>A | E<br>E<br>E<br>E | VM    | VM  | VM | VM | VM | VM | VM | VM | VM | VM | VM | VM |
| 10P + 4S    |                  |                  |       |     |    |    |    |    |    |    |    |    |    |    |

| PART NUMBER     | ROWS             | SIGNAL |   |   |   |   |   | POWER |    |    |    |    |    |    |
|-----------------|------------------|--------|---|---|---|---|---|-------|----|----|----|----|----|----|
|                 |                  | 6      | 5 | 4 | 3 | 2 | 1 | P7    | P6 | P5 | P4 | P3 | P2 | P1 |
| 2-6450142-0     | D<br>C<br>B<br>A | E      | E | E | E | E | E | VM    | VM | VM | VM | VM | VM | VM |
| 3ACP + 4P + 24S |                  |        |   |   |   |   |   |       |    |    |    |    |    |    |



|  |  |                             |  |
|--|--|-----------------------------|--|
| THIS DRAWING IS A CONTROLLED DOCUMENT. |  | DMN: R. GRZYBOWSKI 15FEB05  | TE Connectivity  |
| DIMENSIONS: INCHES                     |  | CHK: M. PERCHERKE 15FEB05   |  |
| TOLERANCES UNLESS OTHERWISE SPECIFIED: |  | APVD: M. PERCHERKE          | NAME: VERTICAL RECEPTACLE ASSEMBLY WITH GUIDES MULTI-BEAM XL |
| 0 PLC ±.01                             |  | PRODUCT SPEC: 108-1973      | SIZE: A1   |
| 1 PLC ±.01                             |  | APPLICATION SPEC: 114-13038 | CAGE CODE: 6450142   |
| 2 PLC ±.005                            |  | WEIGHT: -                   | RESTRICTED TO: -   |
| 3 PLC ±.0020                           |  | CUSTOMER DRAWING            | SCALE: 4:1   |
| ANGLES ±.020                           |  |                             | SHEET 7 OF 8   |
| FINISH: -                              |  |                             | REV: D2  |







Компания «ЭлектроПласт» предлагает заключение долгосрочных отношений при поставках импортных электронных компонентов на взаимовыгодных условиях!

Наши преимущества:

- Оперативные поставки широкого спектра электронных компонентов отечественного и импортного производства напрямую от производителей и с крупнейших мировых складов;
- Поставка более 17-ти миллионов наименований электронных компонентов;
- Поставка сложных, дефицитных, либо снятых с производства позиций;
- Оперативные сроки поставки под заказ (от 5 рабочих дней);
- Экспресс доставка в любую точку России;
- Техническая поддержка проекта, помощь в подборе аналогов, поставка прототипов;
- Система менеджмента качества сертифицирована по Международному стандарту ISO 9001;
- Лицензия ФСБ на осуществление работ с использованием сведений, составляющих государственную тайну;
- Поставка специализированных компонентов (Xilinx, Altera, Analog Devices, Intersil, Interpoint, Microsemi, Aeroflex, Peregrine, Syfer, Eurofarad, Texas Instrument, Miteq, Cobham, E2V, MA-COM, Hittite, Mini-Circuits, General Dynamics и др.);

Помимо этого, одним из направлений компании «ЭлектроПласт» является направление «Источники питания». Мы предлагаем Вам помощь Конструкторского отдела:

- Подбор оптимального решения, техническое обоснование при выборе компонента;
- Подбор аналогов;
- Консультации по применению компонента;
- Поставка образцов и прототипов;
- Техническая поддержка проекта;
- Защита от снятия компонента с производства.



#### Как с нами связаться

**Телефон:** 8 (812) 309 58 32 (многоканальный)

**Факс:** 8 (812) 320-02-42

**Электронная почта:** [org@eplast1.ru](mailto:org@eplast1.ru)

**Адрес:** 198099, г. Санкт-Петербург, ул. Калинина, дом 2, корпус 4, литера А.