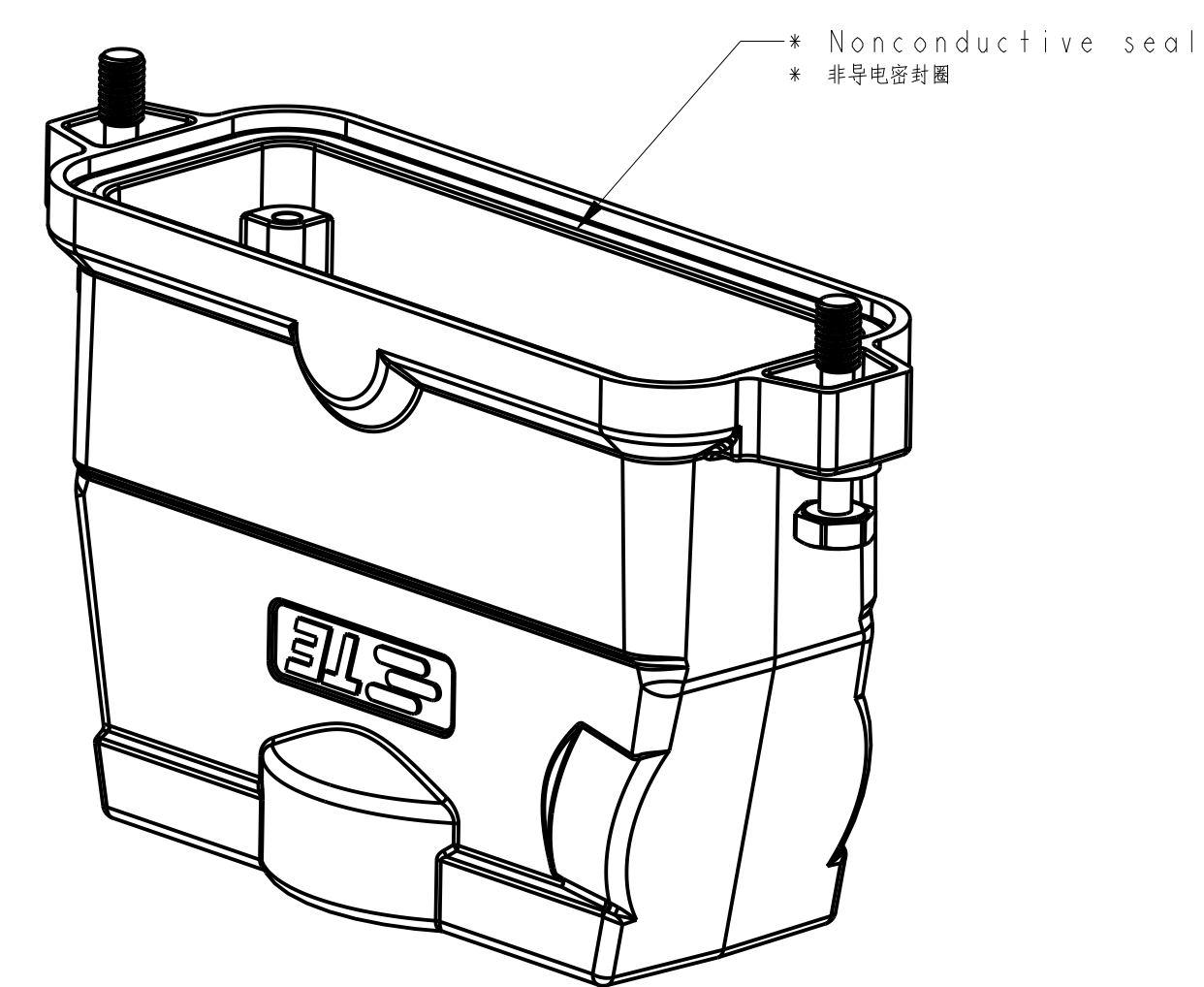
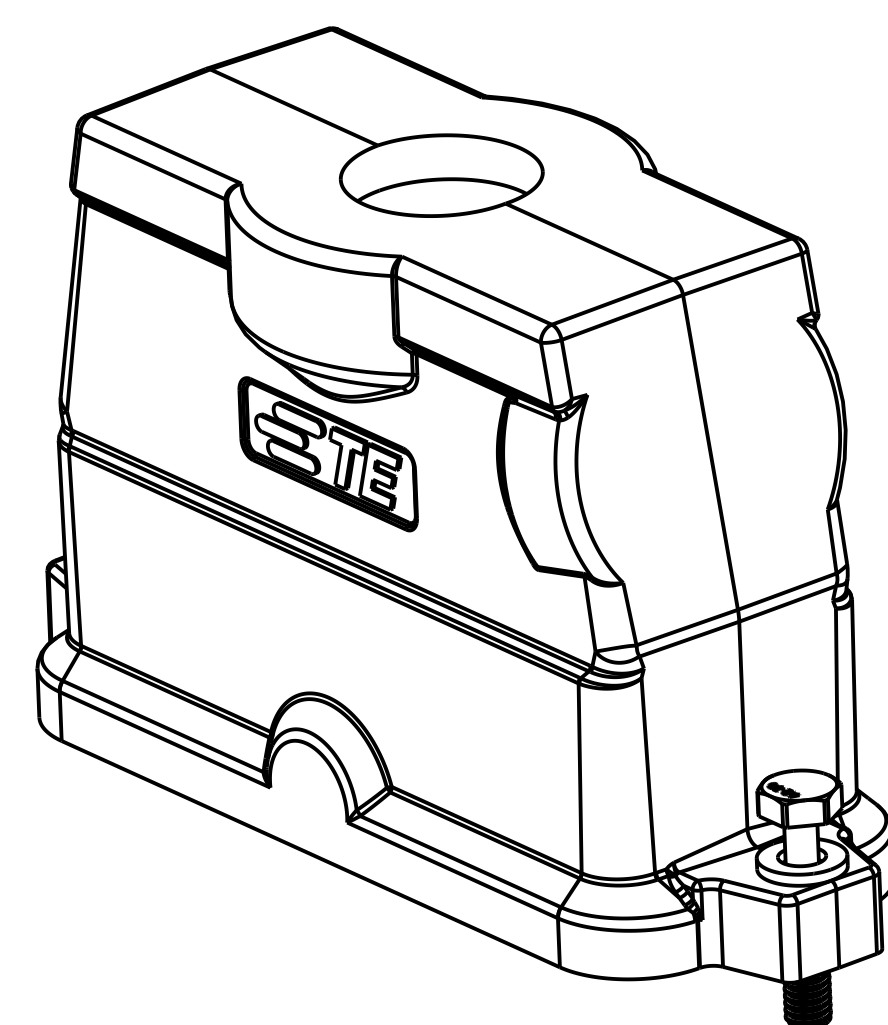
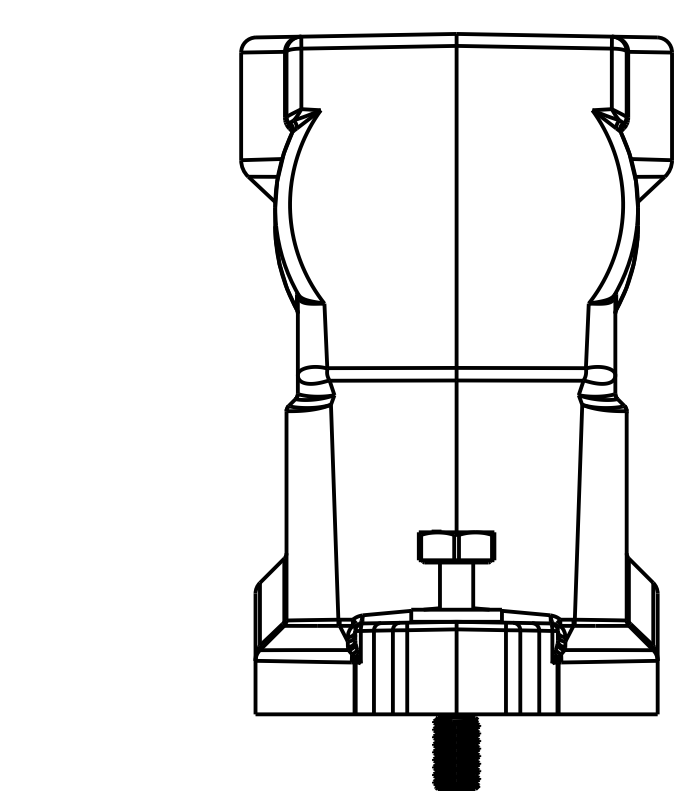
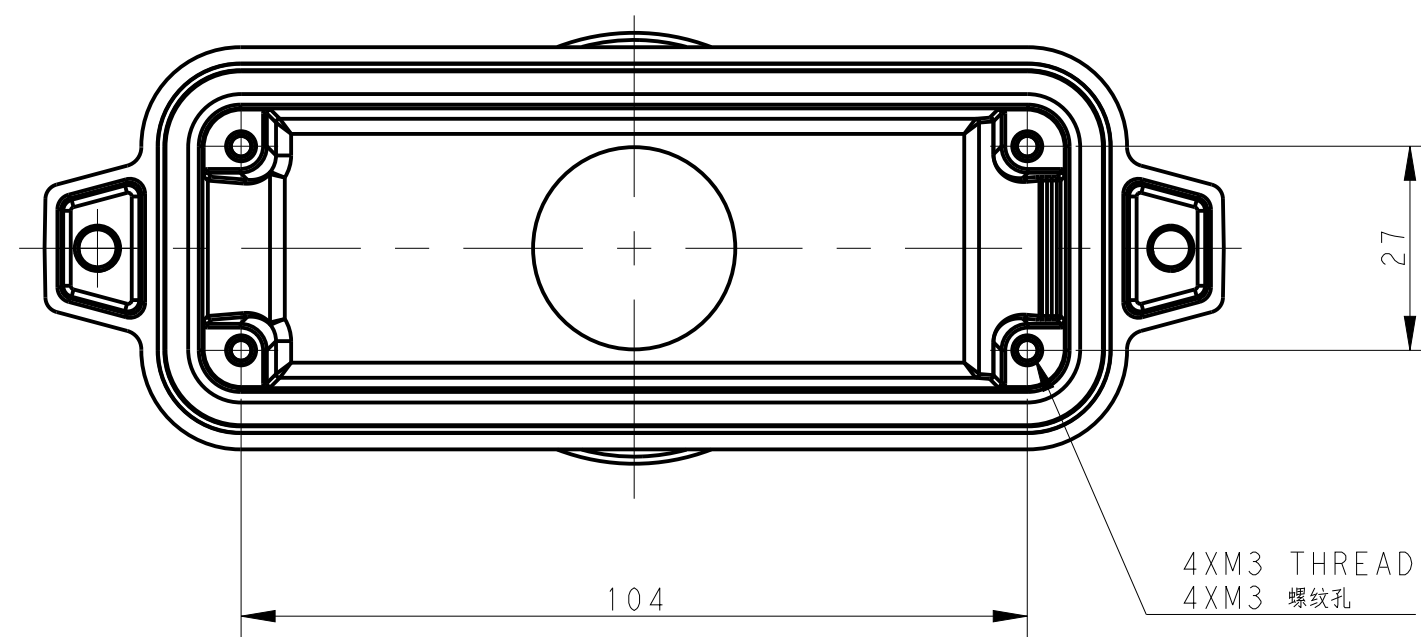
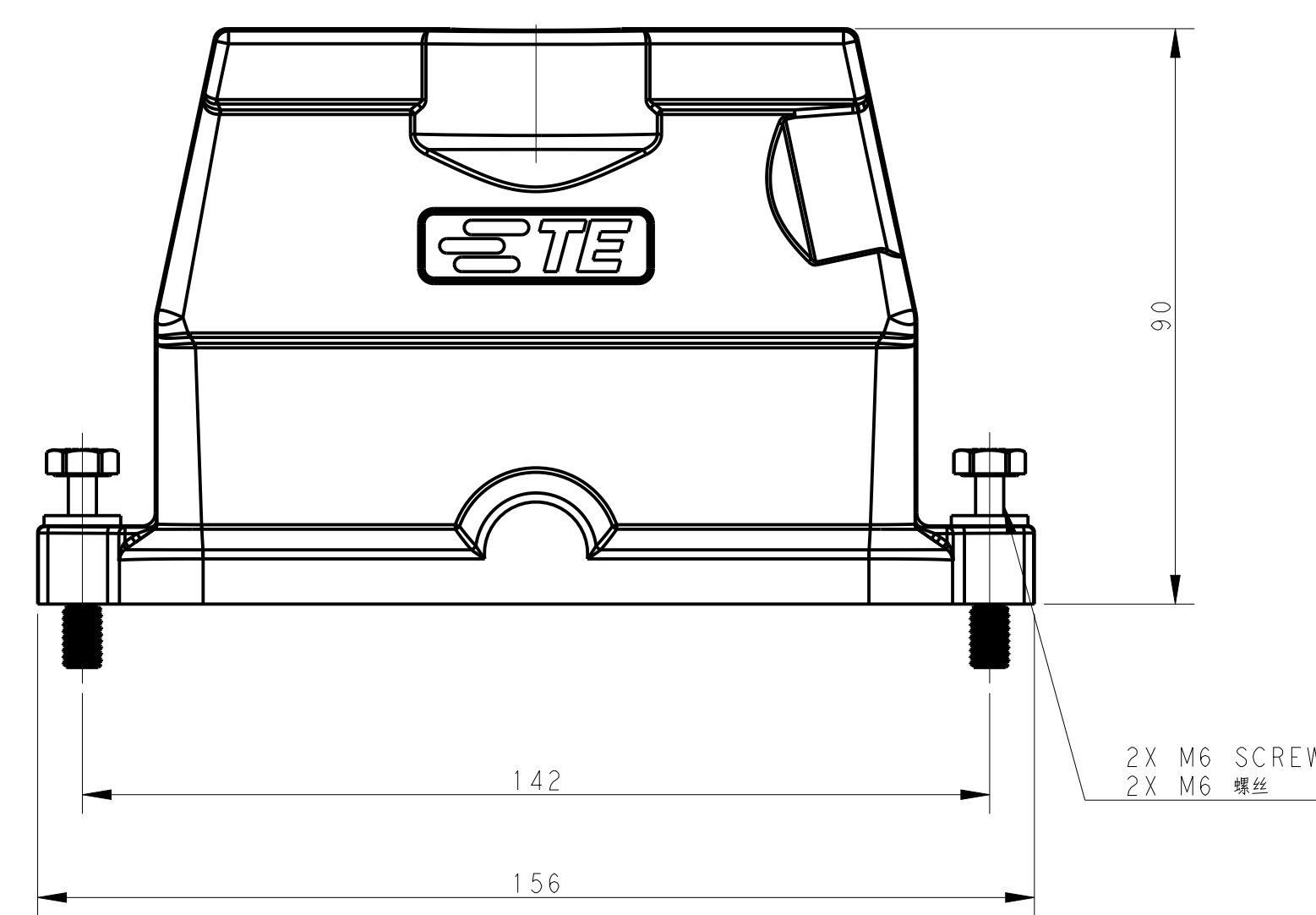
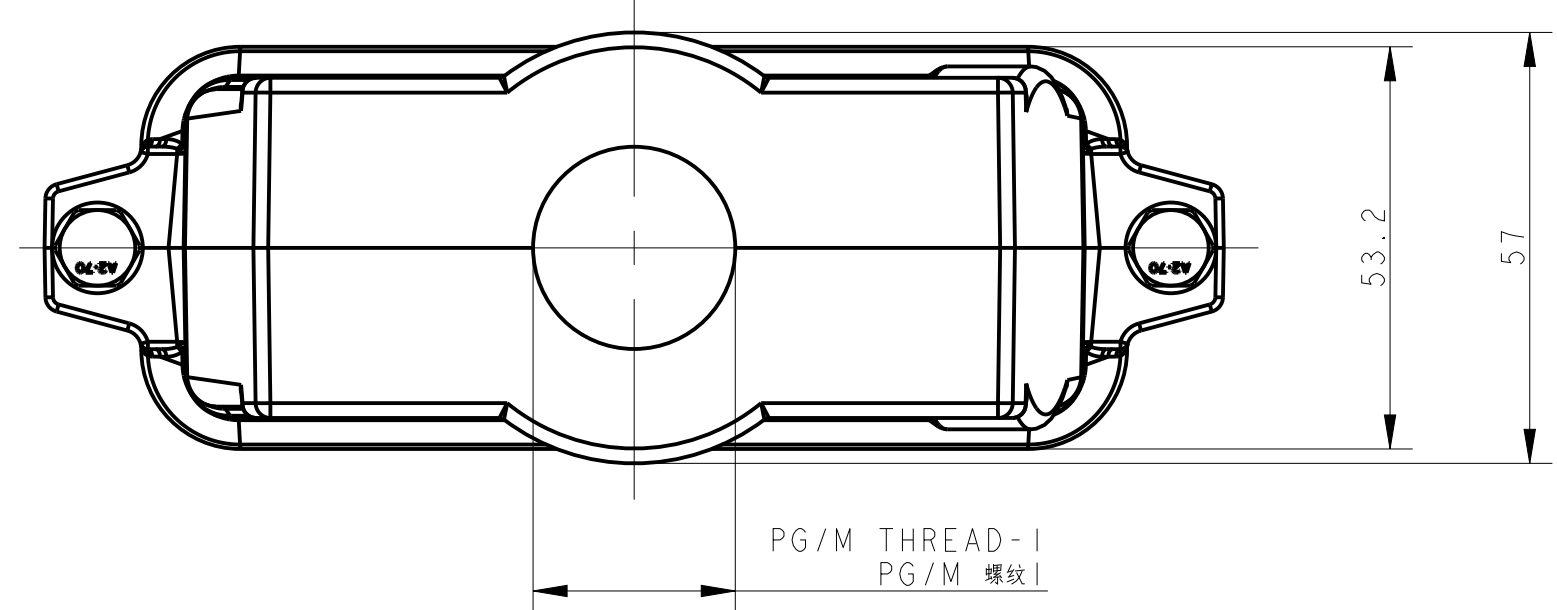


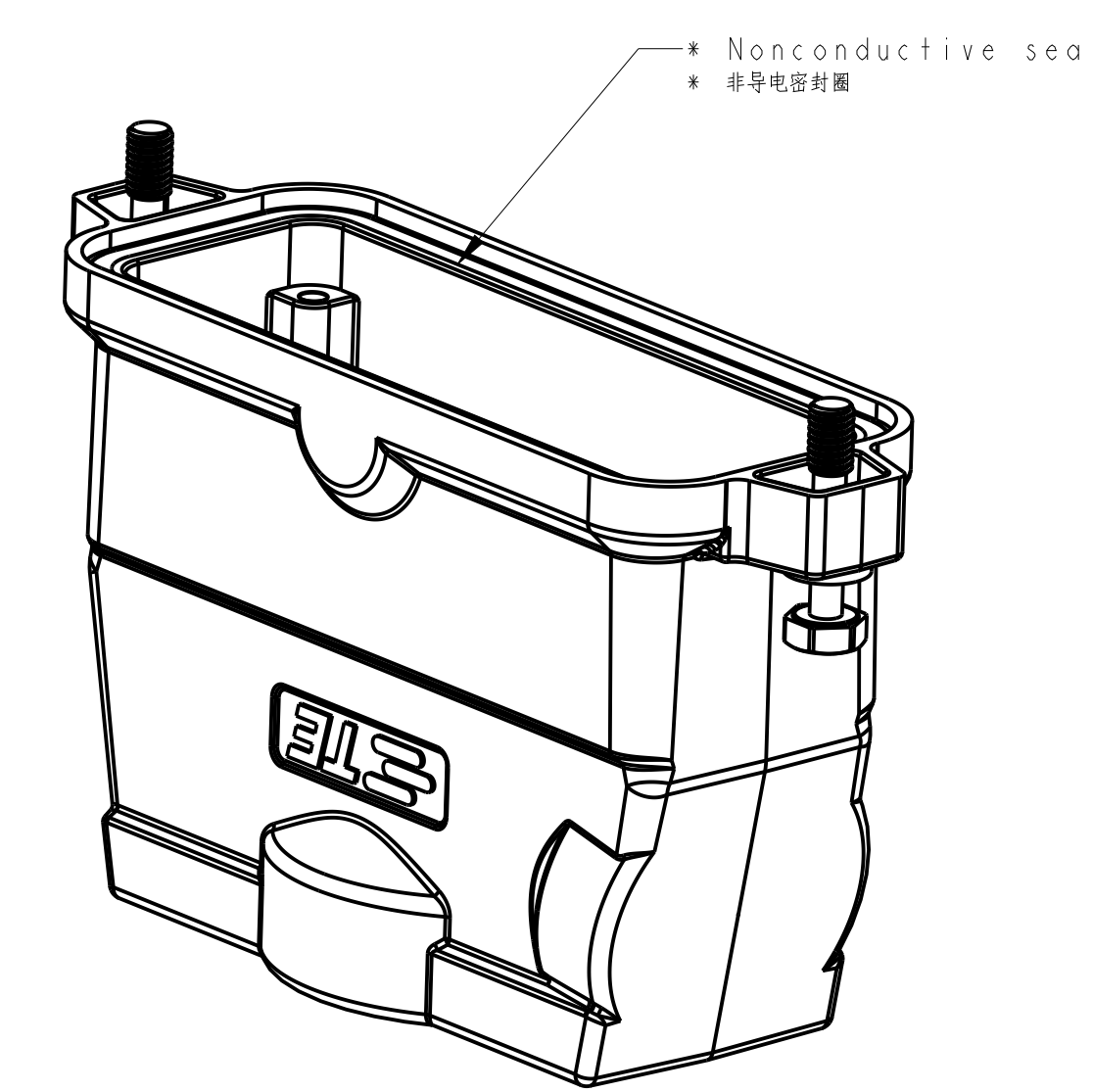
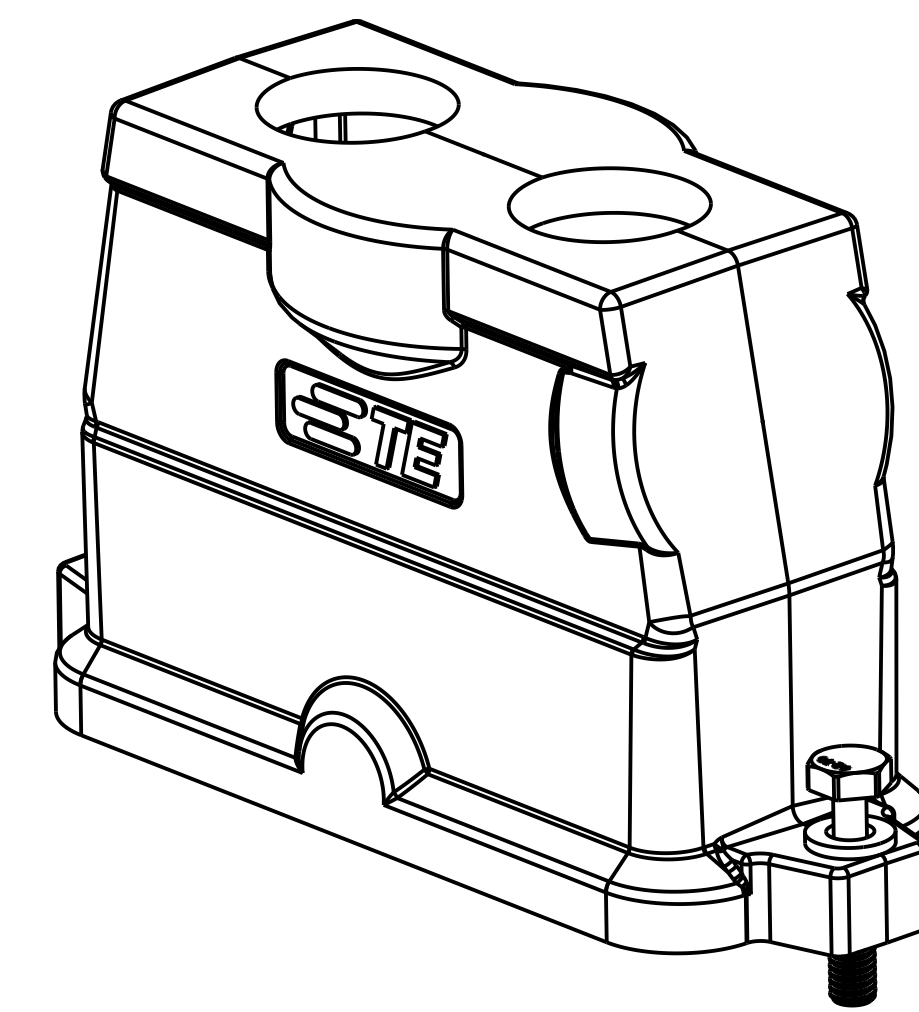
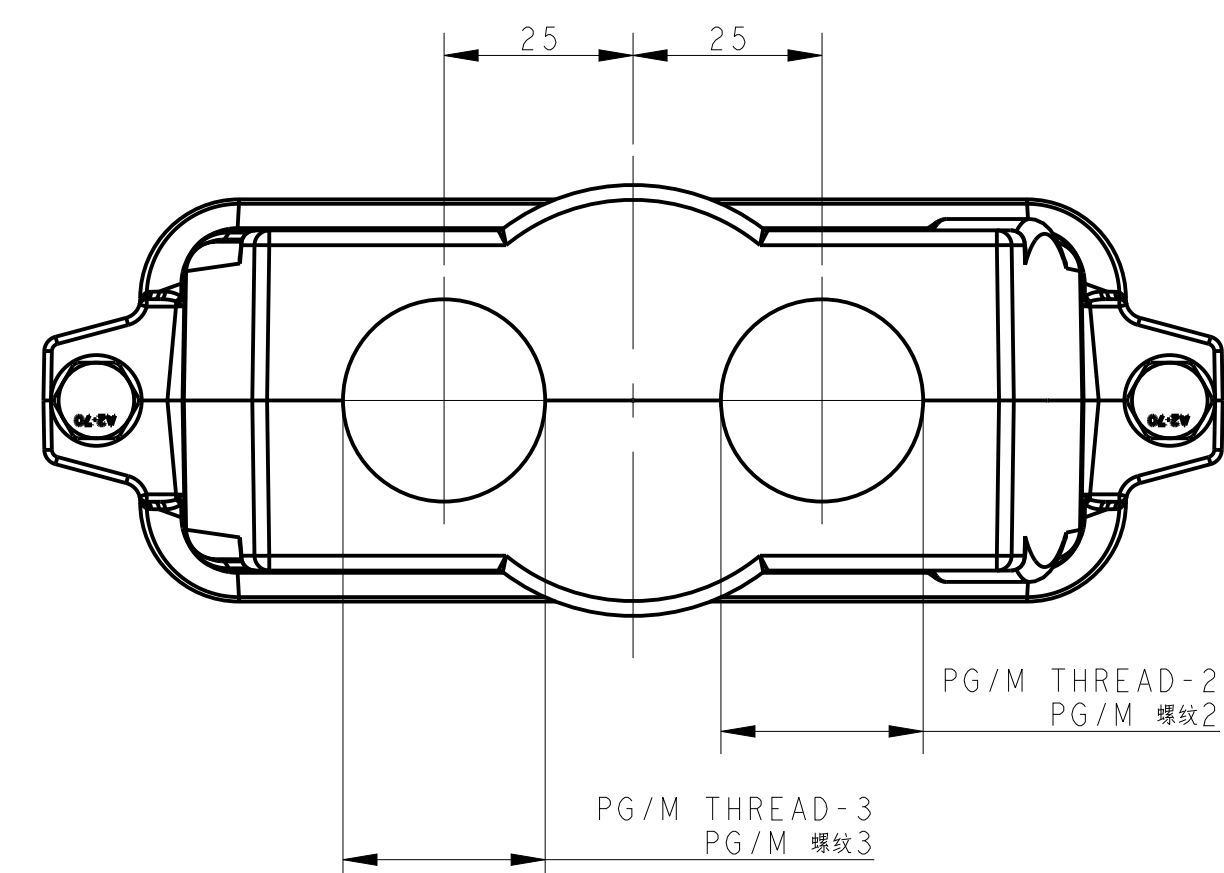
TYPE 1 类型 1

Single PG/M thread & With nonconductive seal
 单PG/M螺纹孔带非导电密封圈



TYPE 2 类型 2

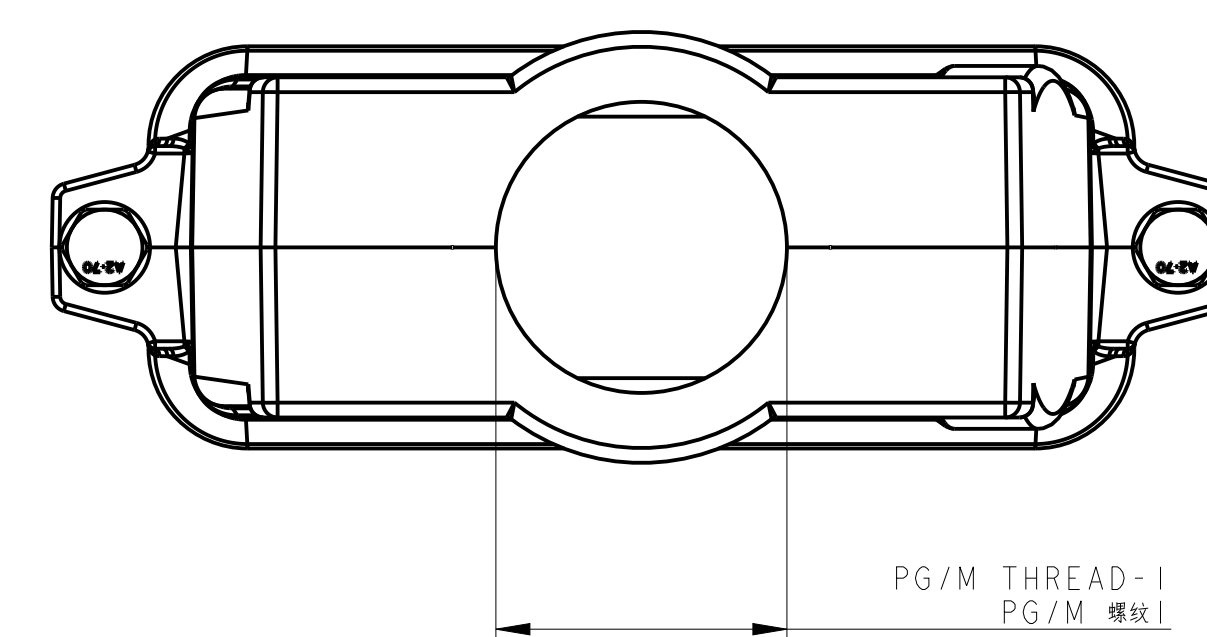
Two PG/M threads & With nonconductive seal
 两个PG/M螺纹孔带非导电密封圈



All dimension is same as TYPE 1, except those defined in this TYPE
 除了在本类型中定义的尺寸外, 其他尺寸同类型 1

TYPE 4 类型 4

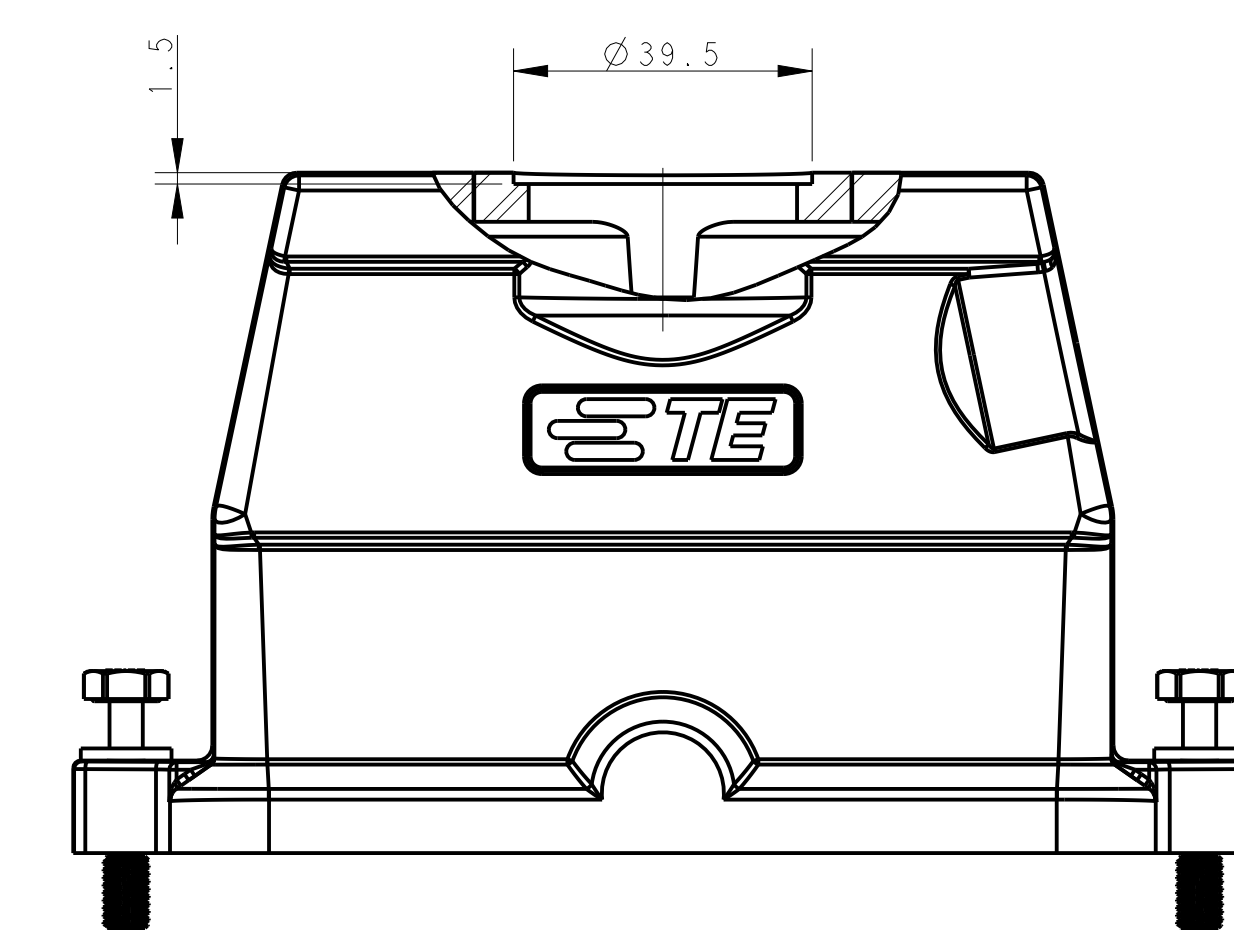
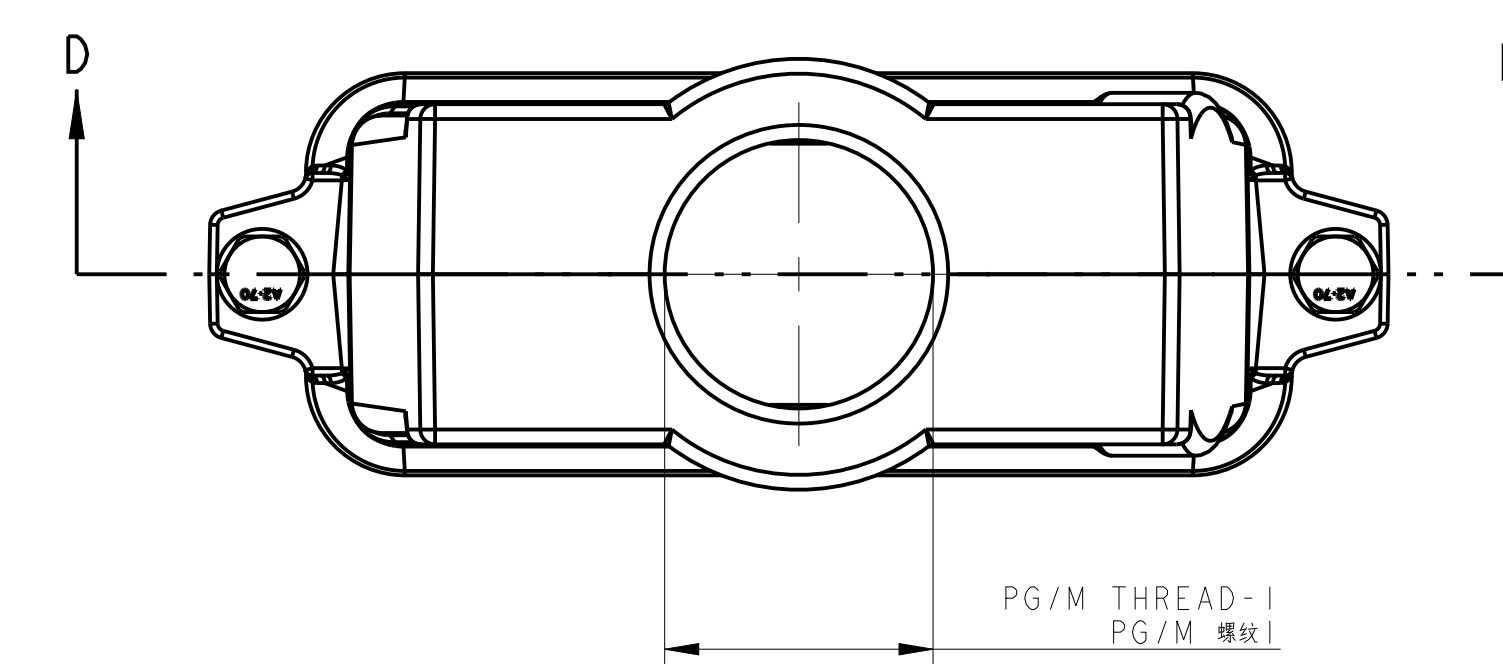
Single PG/M thread & With nonconductive seal, No logo
 单PG/M螺纹孔带非导电密封圈, 无Logo



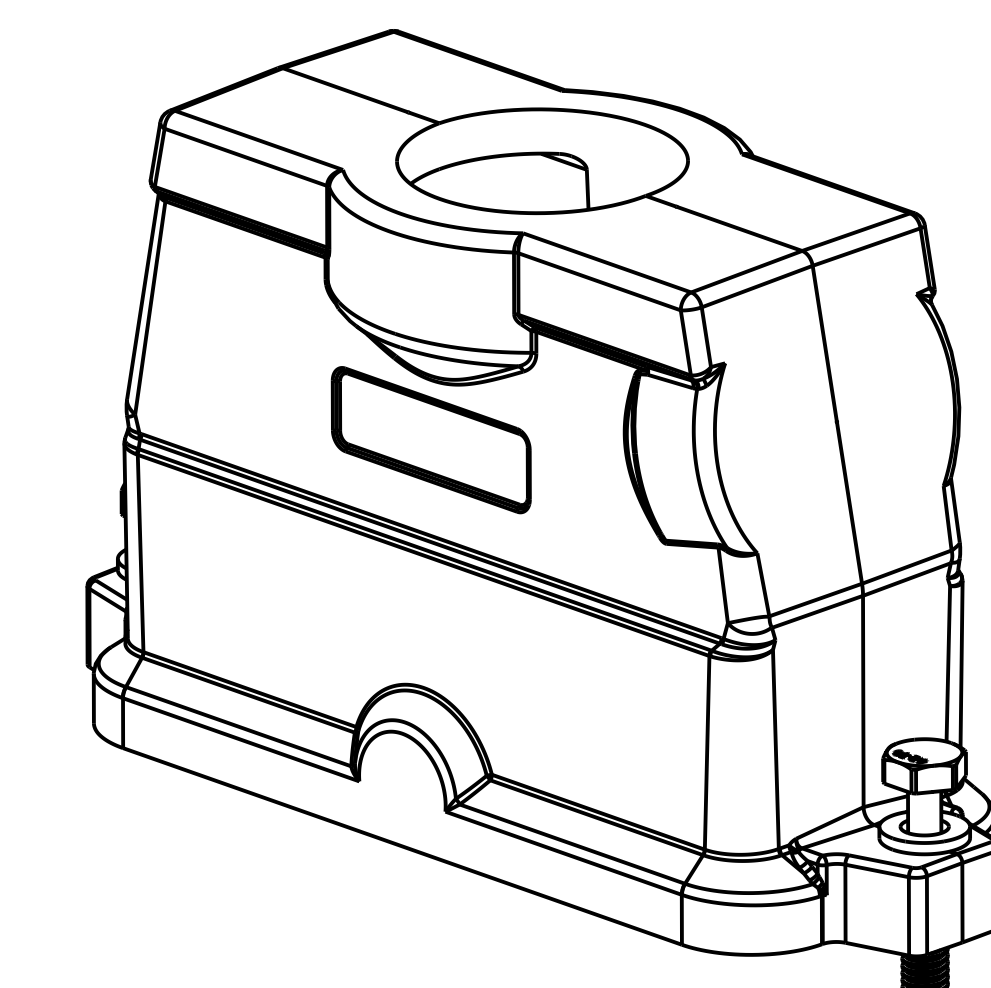
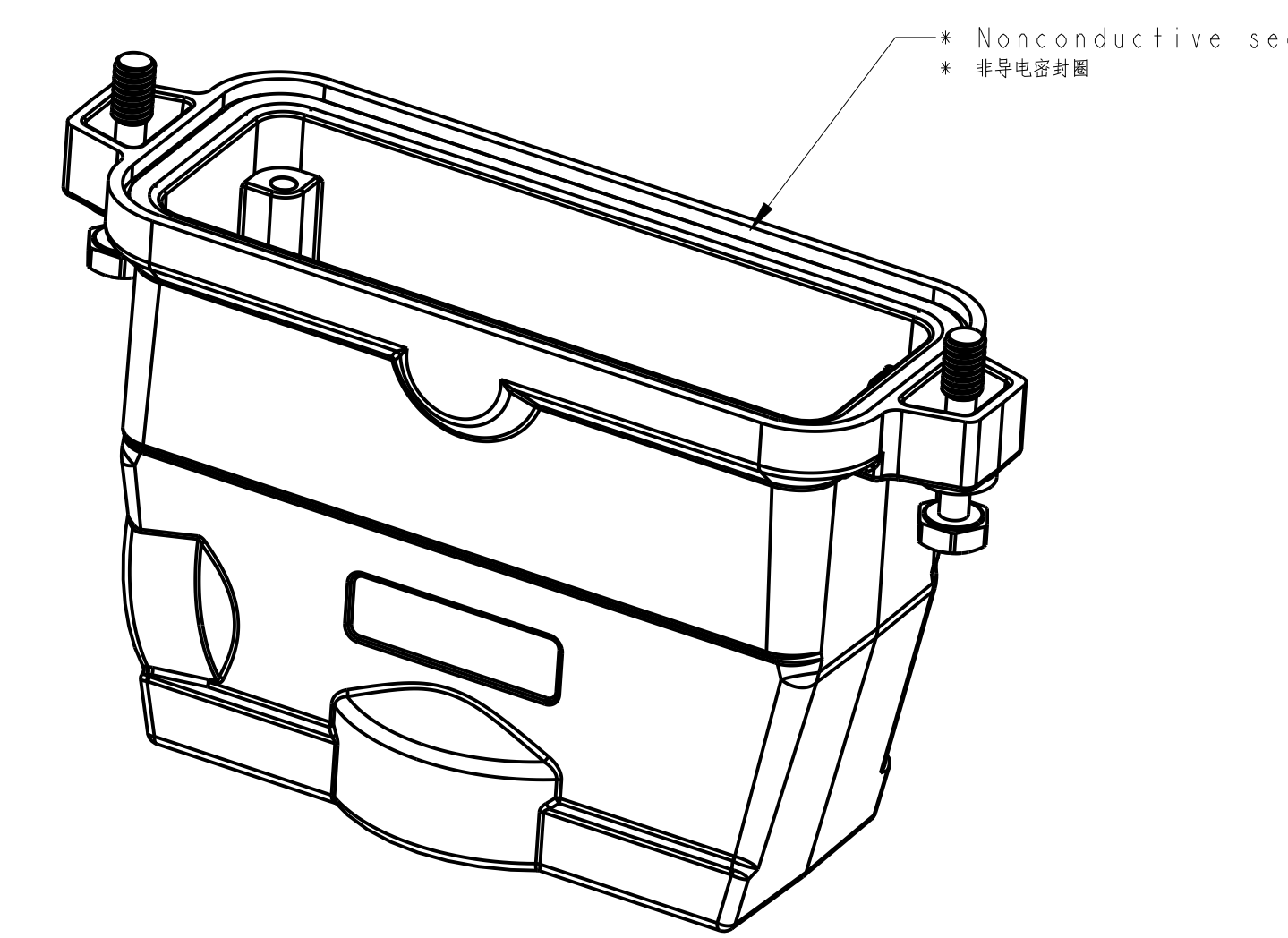
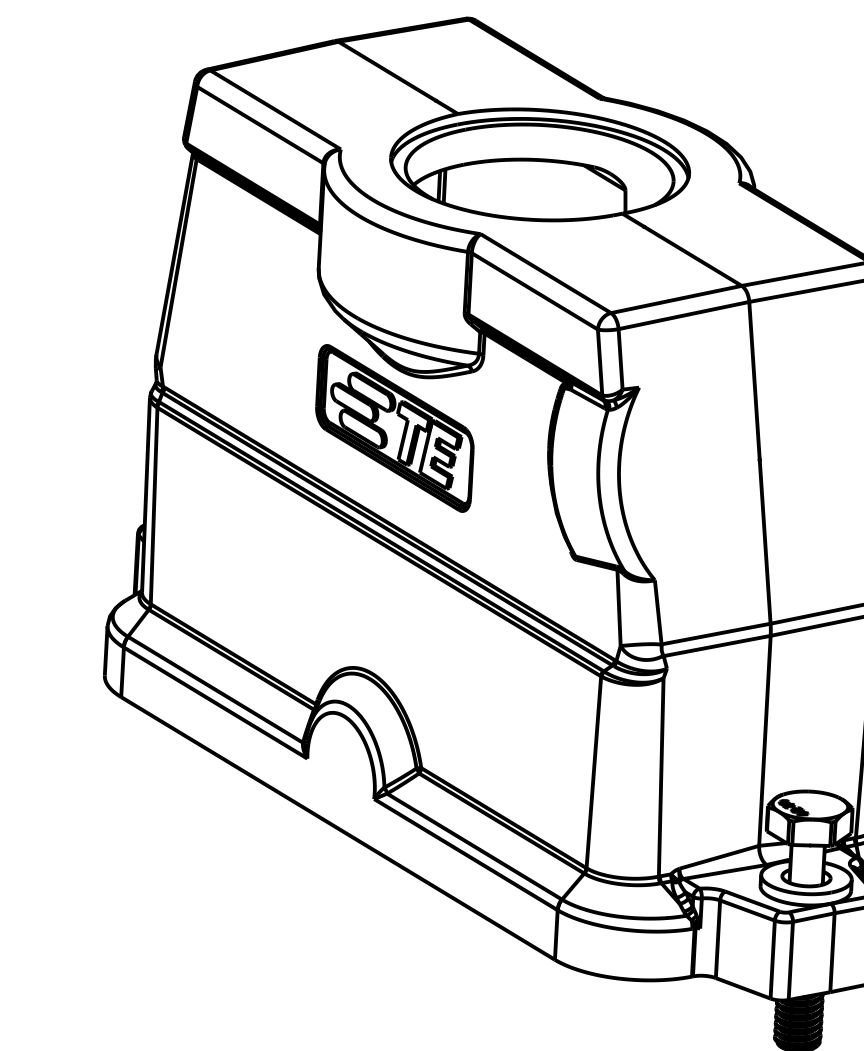
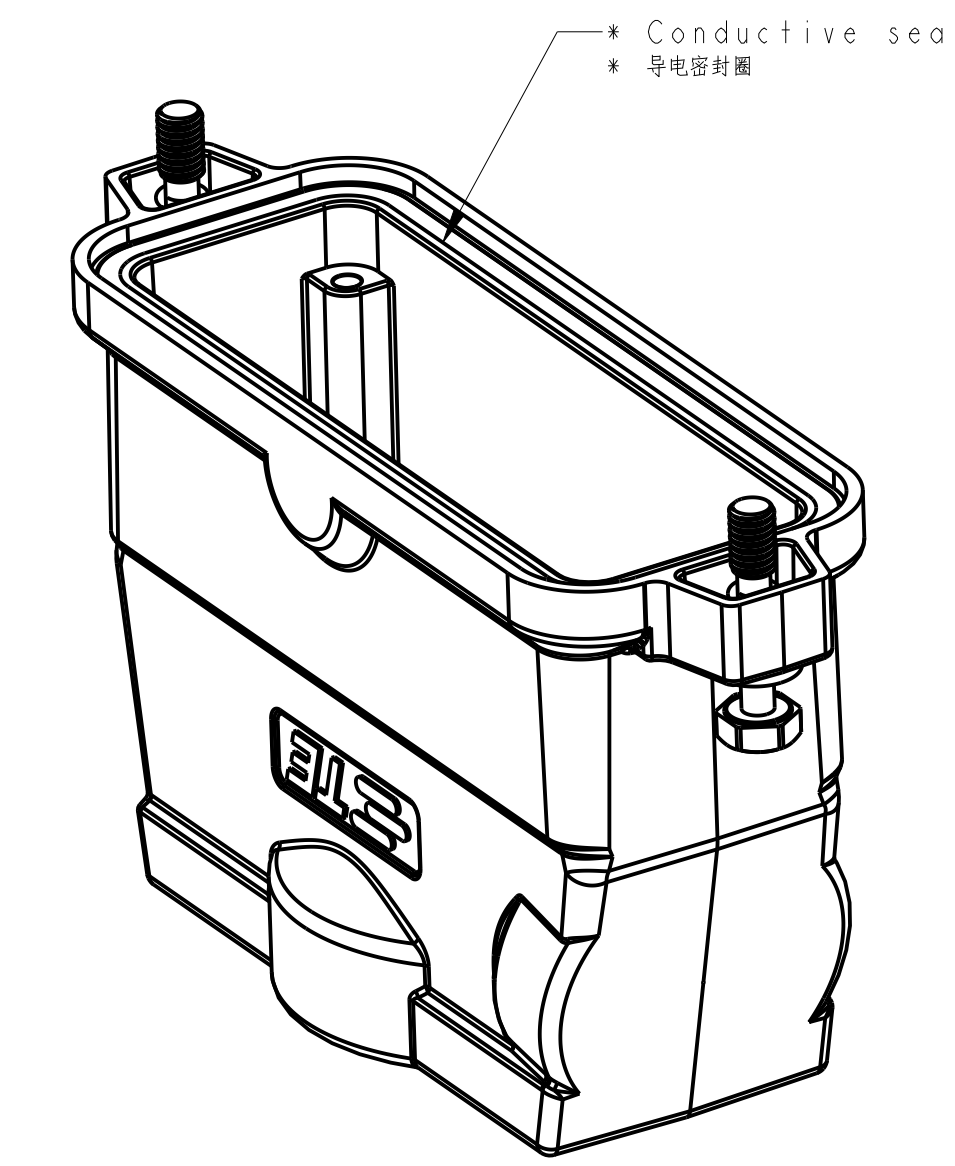
All dimension is same as TYPE 1, except those defined in this TYPE
 除了在本类型中定义的尺寸外, 其他尺寸同类型 1

TYPE 3 类型 3

Single PG/M thread & With conductive seal
 单PG/M螺纹孔带导电密封圈



All dimension is same as TYPE 1, except those defined in this TYPE
 除了在本类型中定义的尺寸外, 其他尺寸同类型 1

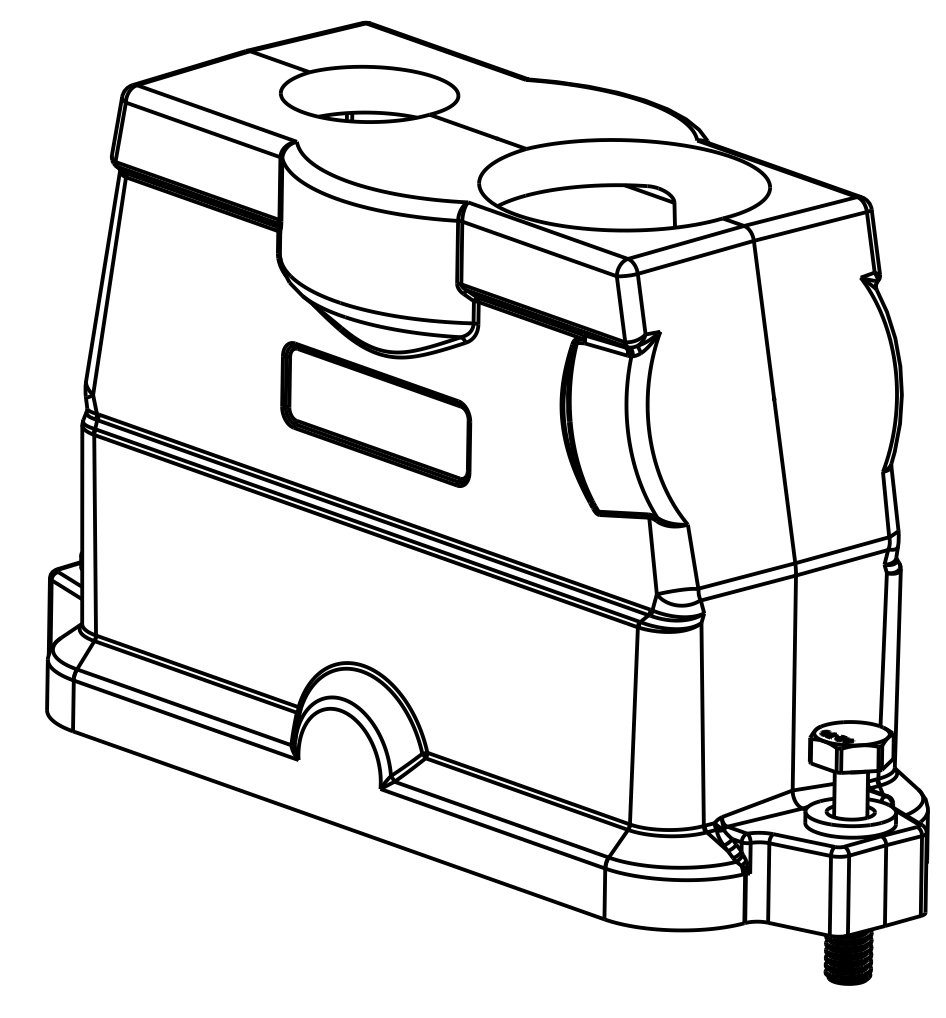
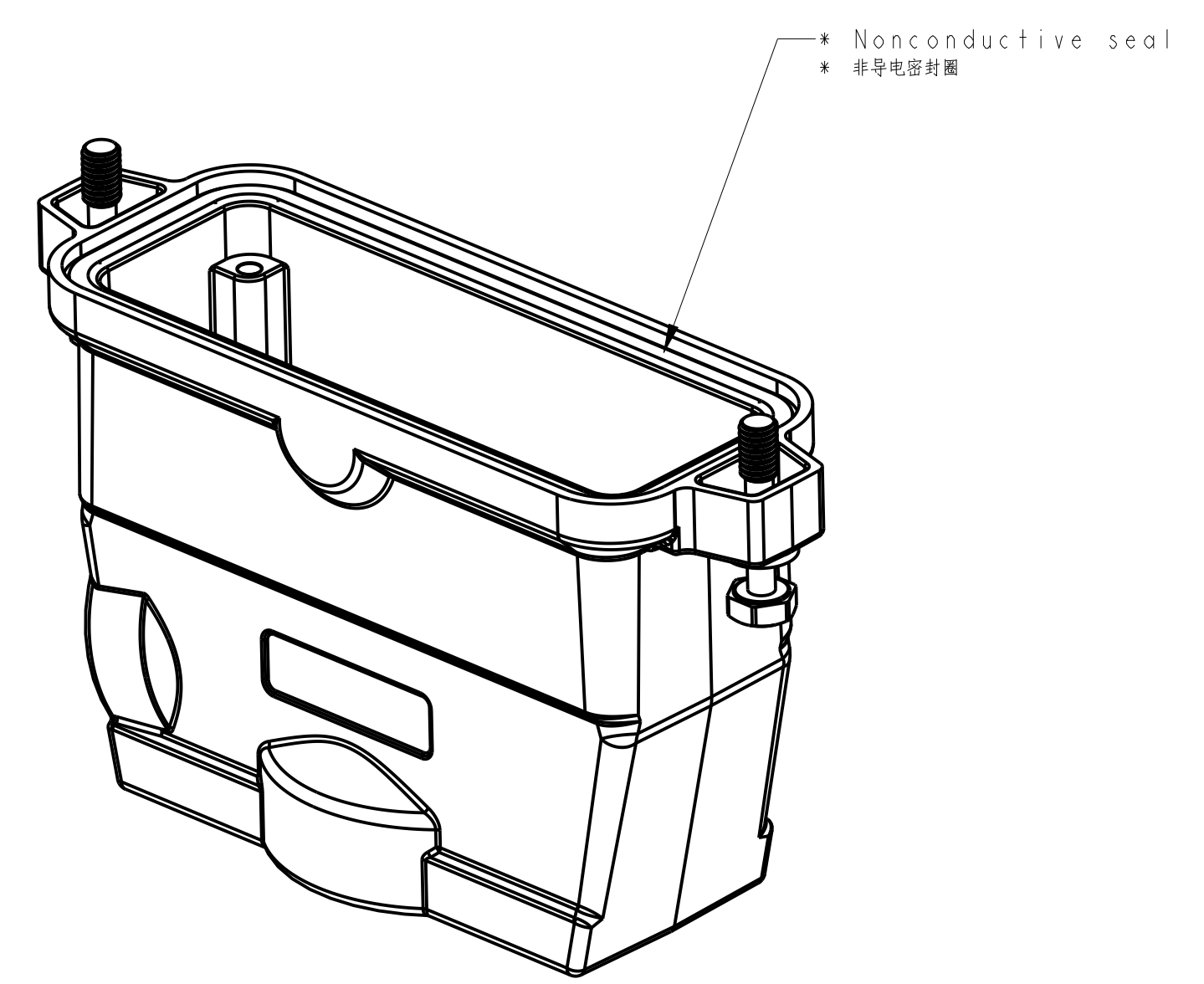
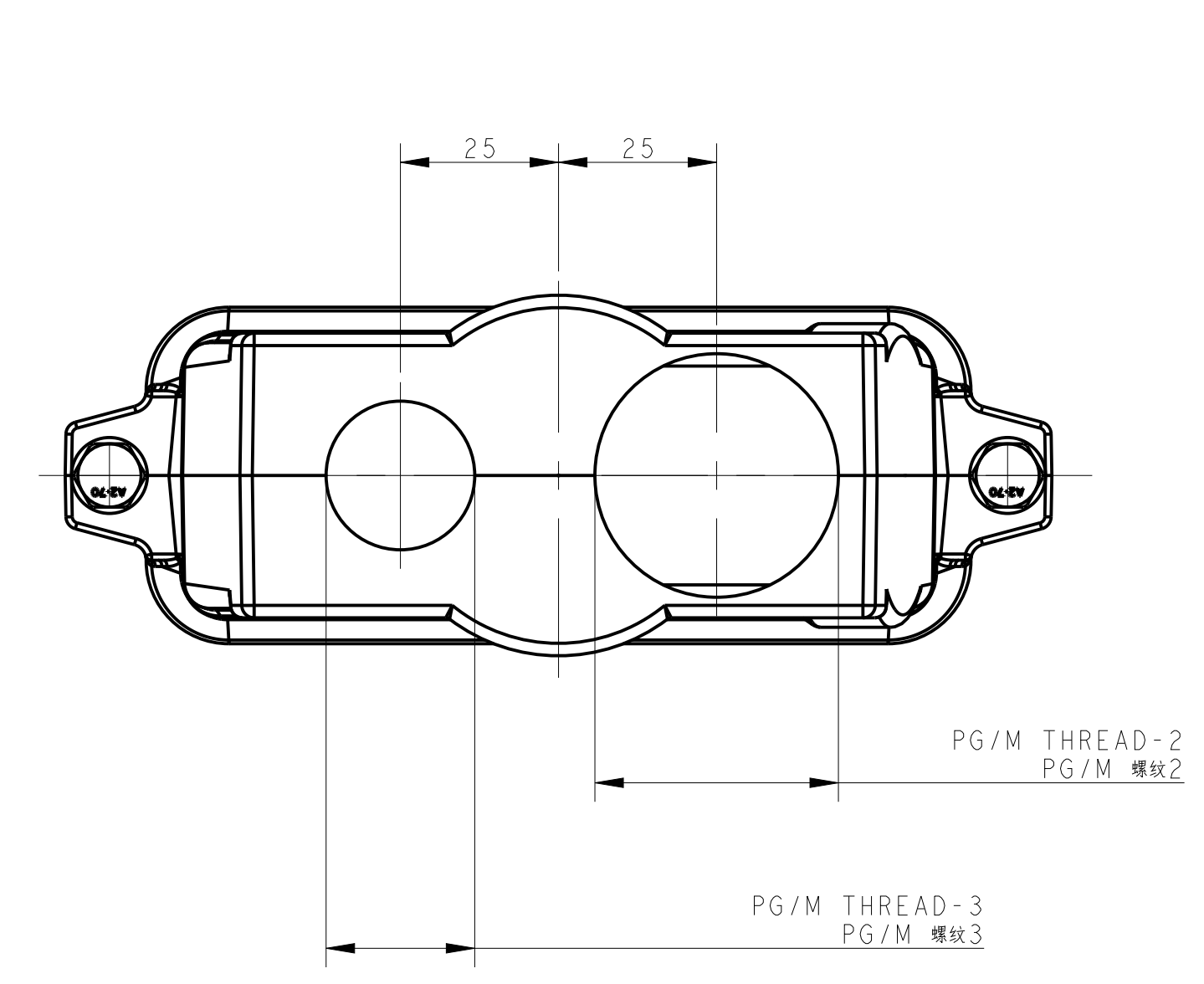


REVISIONS				
REV	DATE	DESCRIPTION	BY	APPD
B3	20080318	ECR-18-009564	CD	CW
B4	20080318	ECR-18-017123	KW	CW
B5	20080318	ECR-19-006656	CD	CW
B6	20080318	ECR-19-007133	BS	CW

THIS DRAWING IS A CONTROLLED DOCUMENT.		DATE: 16 JUN 2015	REV: 0	SCALE: 1:1	SHEET: 1 OF 2	REV: B6
DIMENSIONS:		DATE: 16 JUN 2015	REV: 1	CUSTOMER DRAWING		
MATERIAL:		DATE: 16 JUN 2015	REV: 2	CUSTOMER DRAWING		
FINISH:		DATE: 16 JUN 2015	REV: 3	CUSTOMER DRAWING		
WEIGHT:		DATE: 16 JUN 2015	REV: 4	CUSTOMER DRAWING		
APPROVAL:		DATE: 16 JUN 2015	REV: 5	CUSTOMER DRAWING		
CHECKED:		DATE: 16 JUN 2015	REV: 6	CUSTOMER DRAWING		
DRAWN:		DATE: 16 JUN 2015	REV: 7	CUSTOMER DRAWING		
DESIGNED:		DATE: 16 JUN 2015	REV: 8	CUSTOMER DRAWING		
ENGINEER:		DATE: 16 JUN 2015	REV: 9	CUSTOMER DRAWING		
MANUFACTURED:		DATE: 16 JUN 2015	REV: 10	CUSTOMER DRAWING		
ASSEMBLED:		DATE: 16 JUN 2015	REV: 11	CUSTOMER DRAWING		
TESTED:		DATE: 16 JUN 2015	REV: 12	CUSTOMER DRAWING		
INSPECTED:		DATE: 16 JUN 2015	REV: 13	CUSTOMER DRAWING		
SHIPPED:		DATE: 16 JUN 2015	REV: 14	CUSTOMER DRAWING		
RECEIVED:		DATE: 16 JUN 2015	REV: 15	CUSTOMER DRAWING		

TYPE 5 类型5

Two PG/M threads & With nonconductive seal, No Logo
两个PG/M螺柱孔及带有非导电密封胶, 无Logo



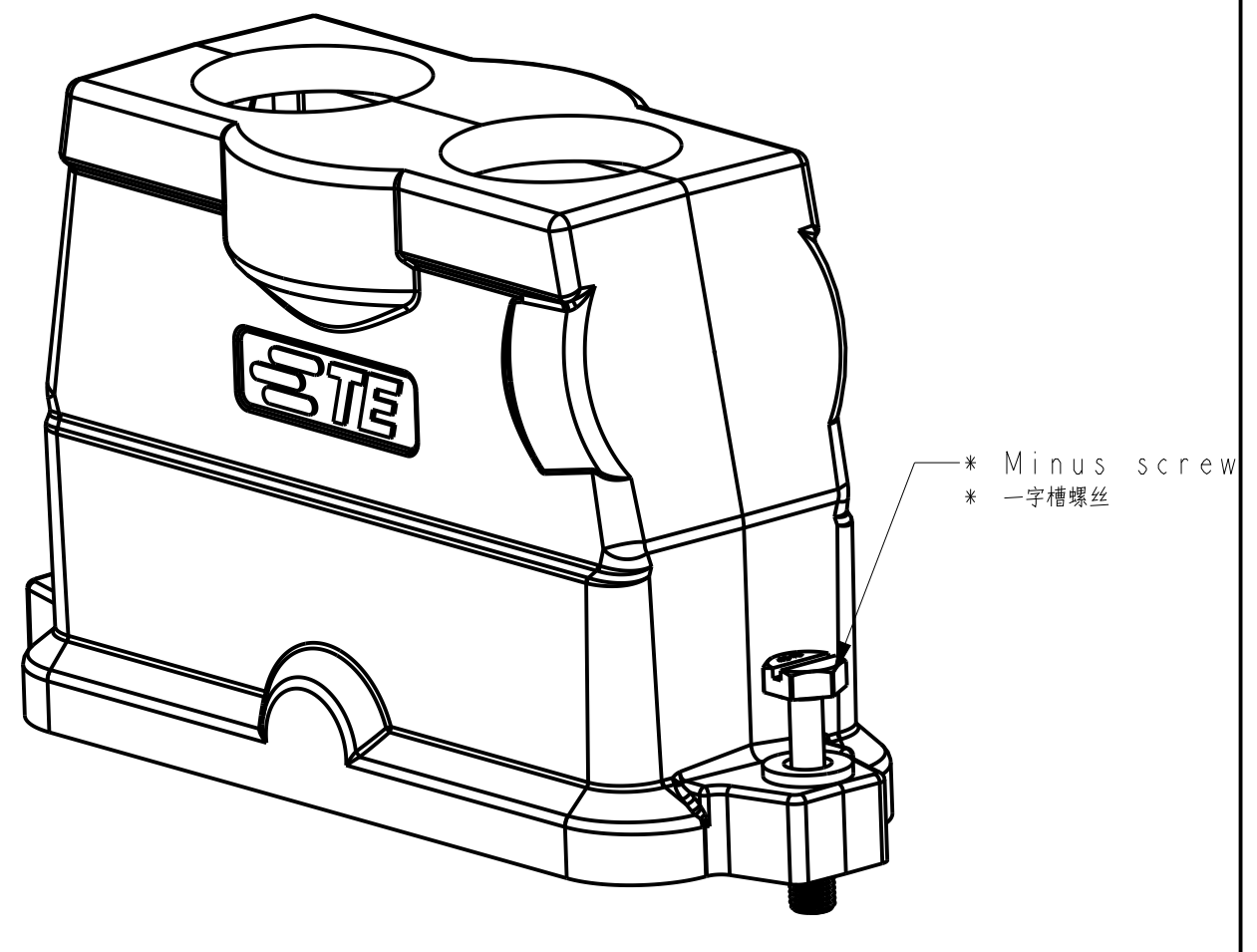
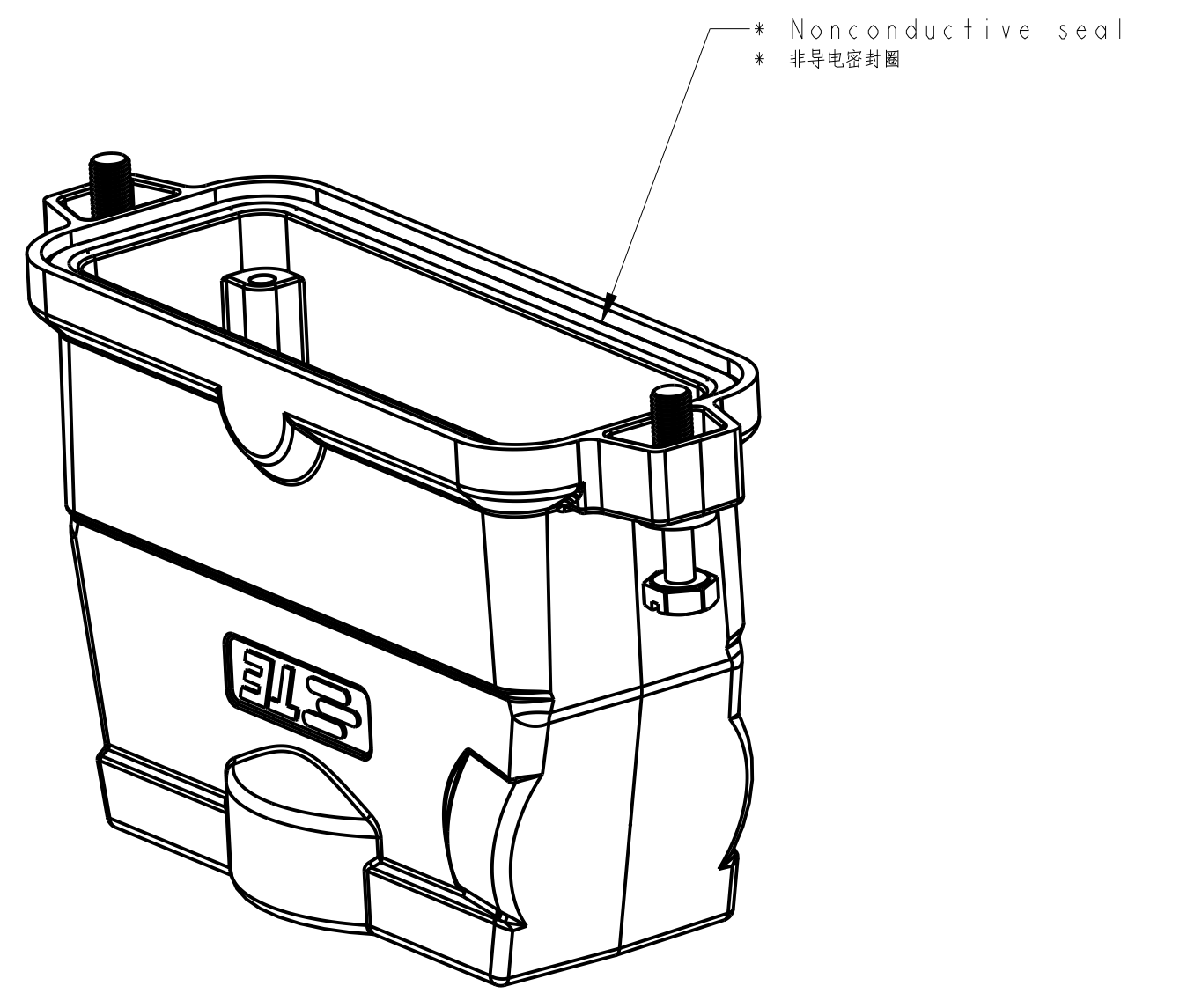
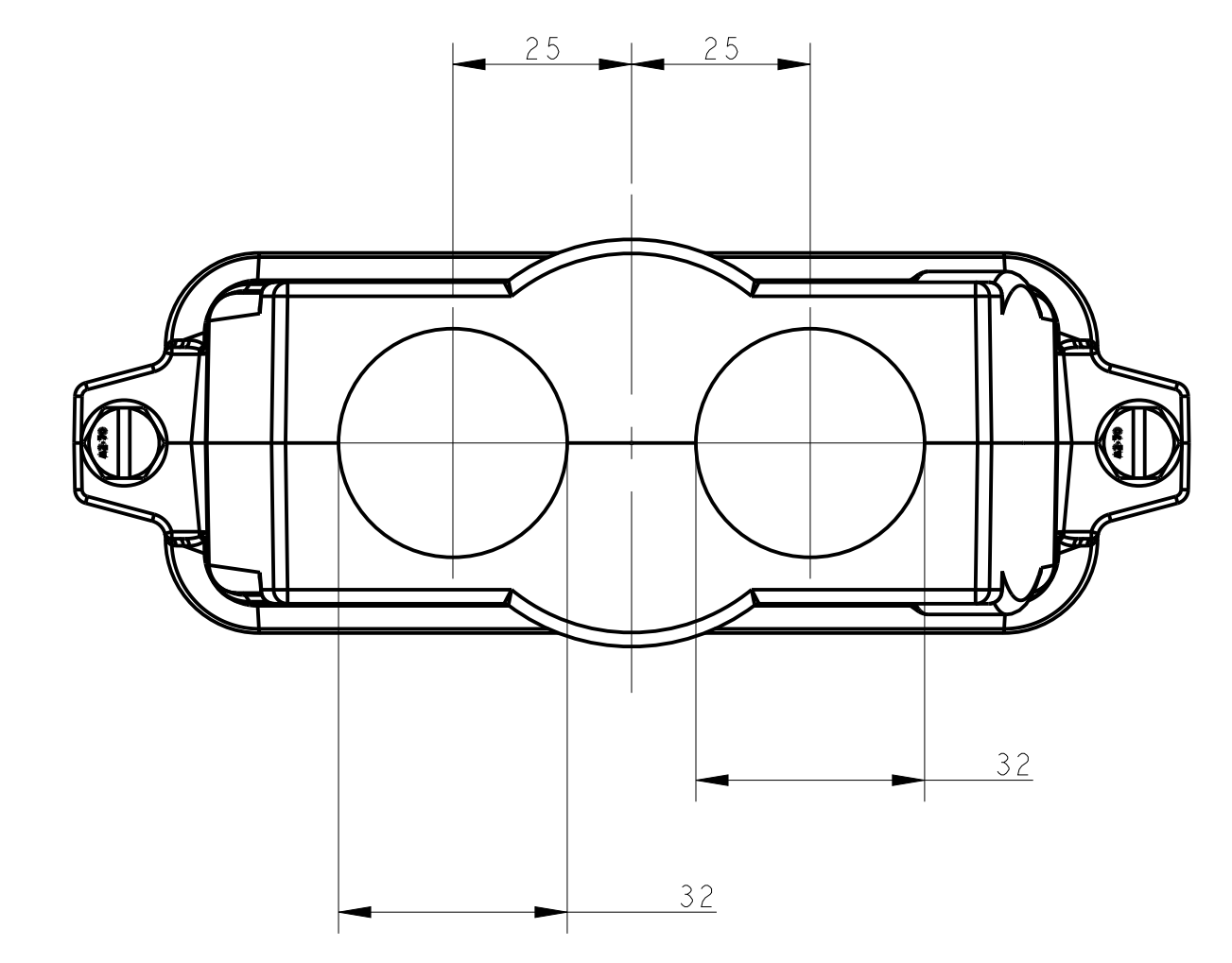
NOTES:
1. TECHNICAL CHARACTERISTICS:
HOOD MATERIAL: DIE CAST ALUMINIUM ALLOY
SURFACE TREATMENT: SEE TABLE
DEGREE OF PROTECTION: IP68 (MATED)

注:
1. 技术参数:
壳体材料: 铝合金
表面处理: 见表格
防护等级: IP68 (配合)

All dimension is same as TYPE 1, except those defined in this TYPE
除了在本类型中定义的尺寸外, 其他尺寸同类型1

TYPE 6 类型6

Two PG/M threads & With nonconductive seal & Minus screw
两个PG/M螺柱孔及带有非导电密封胶及一字螺柱



All dimension is same as TYPE 1, except those defined in this TYPE
除了在本类型中定义的尺寸外, 其他尺寸同类型1

TYPE 6 类型6	TYPE 4 类型4	TYPE 5 类型5	TYPE 3 类型3	TYPE 2 类型2	TYPE 1 类型1
T1922242232-000 POWDER COATED, GREY 表面喷涂, 灰色	H24BPR-TGHC-2M32	H24BPR HOOD, CENTER LOCKING, MINUS SCREW, TOP ENTRY 2M32, POWDER COATED, GREY H24BPR上盖, 中翻锁, 一字螺柱, 顶出2M32, 灰色粉末喷涂	M32	M32	-
T1922242125-001 POWDER COATED, DEEP GREY 表面喷涂, 深灰色	H24BPR-TGHC-M25	H24BPR HOOD, CENTER LOCKING, TOP ENTRY M25, POWDER COATED, DEEP GREY, NO LOGO H24BPR上盖, 中翻锁, 顶出M25, 深灰色粉末喷涂, 无LOGO	-	-	M25
T1922242132-001 POWDER COATED, DEEP GREY 表面喷涂, 深灰色	H24BPR-TGHC-M32	H24BPR HOOD, CENTER LOCKING, TOP ENTRY M32, POWDER COATED, DEEP GREY, NO LOGO H24BPR上盖, 中翻锁, 顶出M32, 深灰色粉末喷涂, 无LOGO	-	-	M32
T1922242150-001 POWDER COATED, DEEP GREY 表面喷涂, 深灰色	H24BPR-TGHC-M50	H24BPR HOOD, CENTER LOCKING, TOP ENTRY M50, POWDER COATED, DEEP GREY, NO LOGO H24BPR上盖, 中翻锁, 顶出M50, 深灰色粉末喷涂, 无LOGO	-	-	M50
T1922242140-001 POWDER COATED, DEEP GREY 表面喷涂, 深灰色	H24BPR-TGHC-M40	H24BPR HOOD, CENTER LOCKING, TOP ENTRY M40, POWDER COATED, DEEP GREY, NO LOGO H24BPR上盖, 中翻锁, 顶出M40, 深灰色粉末喷涂, 无LOGO	-	-	M40
T1922244025-001 POWDER COATED, DEEP GREY 表面喷涂, 深灰色	H24BPR-TGHC-M40/M25	H24BPR HOOD, CENTER LOCKING, TOP ENTRY M40/M25, POWDER COATED, DEEP GREY, NO LOGO H24BPR上盖, 中翻锁, 顶出M40/M25, 深灰色粉末喷涂, 无LOGO	M25	M40	-
T1922241129-001 POWDER COATED, SILVER WHITE 表面喷涂, 银白色	H24BPR-TGHC-PG29	H24BPR HOOD, CENTER LOCKING, TOP ENTRY PG29, POWDER COATED, SILVER WHITE, CONDUCTIVE, THREAD HOLE WITH STEP H24BPR上盖, 中翻锁, 顶出PG29, 银白色粉末喷涂, 导电, 螺柱孔带台阶	-	-	PG29
T1922240129-001 POWDER COATED, BLACK 表面喷涂, 黑色	H24BPR-TGHC-PG29	H24BPR HOOD, CENTER LOCKING, TOP ENTRY PG29, POWDER COATED, BLACK, CONDUCTIVE, THREAD HOLE WITH STEP H24BPR上盖, 中翻锁, 顶出PG29, 黑色粉末喷涂, 导电, 螺柱孔带台阶	-	-	PG29
T19222411221-000 POWDER COATED, SILVER WHITE 表面喷涂, 银白色	H24BPR-TGHC-2PG21	H24BPR HOOD, CENTER LOCKING, TOP ENTRY 2PG21, POWDER COATED, SILVER WHITE H24BPR上盖, 中翻锁, 顶出2PG21, 银白色粉末喷涂	PG21	PG21	-
T1922241232-000 POWDER COATED, SILVER WHITE 表面喷涂, 银白色	H24BPR-TGHC-M32/M25	H24BPR HOOD, CENTER LOCKING, TOP ENTRY M32/M25, POWDER COATED, SILVER WHITE H24BPR上盖, 中翻锁, 顶出M32/M25, 银白色粉末喷涂	M25	M32	-
T1922244025-000 POWDER COATED, SILVER WHITE 表面喷涂, 银白色	H24BPR-TGHC-M40/M25	H24BPR HOOD, CENTER LOCKING, TOP ENTRY M40/M25, POWDER COATED, SILVER WHITE H24BPR上盖, 中翻锁, 顶出M40/M25, 银白色粉末喷涂	M25	M40	-
T1922241140-000 POWDER COATED, SILVER WHITE 表面喷涂, 银白色	H24BPR-TGHC-M40	H24BPR HOOD, CENTER LOCKING, TOP ENTRY M40, POWDER COATED, SILVER WHITE H24BPR上盖, 中翻锁, 顶出M40, 银白色粉末喷涂	-	-	M40
T1922241136-000 POWDER COATED, SILVER WHITE 表面喷涂, 银白色	H24BPR-TGHC-PG36	H24BPR HOOD, CENTER LOCKING, TOP ENTRY PG36, POWDER COATED, SILVER WHITE H24BPR上盖, 中翻锁, 顶出PG36, 银白色粉末喷涂	-	-	PG36
T1922241132-000 POWDER COATED, SILVER WHITE 表面喷涂, 银白色	H24BPR-TGHC-M32	H24BPR HOOD, CENTER LOCKING, TOP ENTRY M32, POWDER COATED, SILVER WHITE H24BPR上盖, 中翻锁, 顶出M32, 银白色粉末喷涂	-	-	M32
T1922241129-000 POWDER COATED, SILVER WHITE 表面喷涂, 银白色	H24BPR-TGHC-PG29	H24BPR HOOD, CENTER LOCKING, TOP ENTRY PG29, POWDER COATED, SILVER WHITE H24BPR上盖, 中翻锁, 顶出PG29, 银白色粉末喷涂	-	-	PG29
T1922241125-000 POWDER COATED, SILVER WHITE 表面喷涂, 银白色	H24BPR-TGHC-M25	H24BPR HOOD, CENTER LOCKING, TOP ENTRY M25, POWDER COATED, SILVER WHITE H24BPR上盖, 中翻锁, 顶出M25, 银白色粉末喷涂	-	-	M25
T1922241121-000 POWDER COATED, SILVER WHITE 表面喷涂, 银白色	H24BPR-TGHC-PG21	H24BPR HOOD, CENTER LOCKING, TOP ENTRY PG21, POWDER COATED, SILVER WHITE H24BPR上盖, 中翻锁, 顶出PG21, 银白色粉末喷涂	-	-	PG21
T1922240140-000 POWDER COATED, BLACK 表面喷涂, 黑色	H24BPR-TGHC-M40	H24BPR HOOD, CENTER LOCKING, TOP ENTRY M40, POWDER COATED, BLACK H24BPR上盖, 中翻锁, 顶出M40, 黑色粉末喷涂	-	-	M40
T1922240136-000 POWDER COATED, BLACK 表面喷涂, 黑色	H24BPR-TGHC-PG36	H24BPR HOOD, CENTER LOCKING, TOP ENTRY PG36, POWDER COATED, BLACK H24BPR上盖, 中翻锁, 顶出PG36, 黑色粉末喷涂	-	-	PG36
T1922240132-000 POWDER COATED, BLACK 表面喷涂, 黑色	H24BPR-TGHC-M32	H24BPR HOOD, CENTER LOCKING, TOP ENTRY M32, POWDER COATED, BLACK H24BPR上盖, 中翻锁, 顶出M32, 黑色粉末喷涂	-	-	M32
T1922240129-000 POWDER COATED, BLACK 表面喷涂, 黑色	H24BPR-TGHC-PG29	H24BPR HOOD, CENTER LOCKING, TOP ENTRY PG29, POWDER COATED, BLACK H24BPR上盖, 中翻锁, 顶出PG29, 黑色粉末喷涂	-	-	PG29
T1922240125-000 POWDER COATED, BLACK 表面喷涂, 黑色	H24BPR-TGHC-M25	H24BPR HOOD, CENTER LOCKING, TOP ENTRY M25, POWDER COATED, BLACK H24BPR上盖, 中翻锁, 顶出M25, 黑色粉末喷涂	-	-	M25
T1922240121-000 POWDER COATED, BLACK 表面喷涂, 黑色	H24BPR-TGHC-PG21	H24BPR HOOD, CENTER LOCKING, TOP ENTRY PG21, POWDER COATED, BLACK H24BPR上盖, 中翻锁, 顶出PG21, 黑色粉末喷涂	-	-	PG21

PG/M THREAD-3 PG/M 螺柱3	PG/M THREAD-2 PG/M 螺柱2	PG/M THREAD-1 PG/M 螺柱1	TYPE 类型
<p>THIS DRAWING IS A CONTROLLED DOCUMENT. DIMENSIONS: (mm) 0 PLC ±, 1 PLC ±, 2 PLC ±, 3 PLC ±. FINISH: -. MATERIAL: -. WEIGHT: -. CUSTOMER DRAWING.</p> <p>DATE: 16 JUN 2015. DRAWN: C.H.C. 11.3.10.14. APPROVED: Y. L. 11.4.13.7014. PRODUCT SPEC: 108-137014. APPLICATION SPEC: 114-137014. REVISION: -. SCALE: 1:1. SHEET: 2 OF 2. REV: B6.</p>			



Компания «ЭлектроПласт» предлагает заключение долгосрочных отношений при поставках импортных электронных компонентов на взаимовыгодных условиях!

Наши преимущества:

- Оперативные поставки широкого спектра электронных компонентов отечественного и импортного производства напрямую от производителей и с крупнейших мировых складов;
- Поставка более 17-ти миллионов наименований электронных компонентов;
- Поставка сложных, дефицитных, либо снятых с производства позиций;
- Оперативные сроки поставки под заказ (от 5 рабочих дней);
- Экспресс доставка в любую точку России;
- Техническая поддержка проекта, помощь в подборе аналогов, поставка прототипов;
- Система менеджмента качества сертифицирована по Международному стандарту ISO 9001;
- Лицензия ФСБ на осуществление работ с использованием сведений, составляющих государственную тайну;
- Поставка специализированных компонентов (Xilinx, Altera, Analog Devices, Intersil, Interpoint, Microsemi, Aeroflex, Peregrine, Syfer, Eurofarad, Texas Instrument, Miteq, Cobham, E2V, MA-COM, Hittite, Mini-Circuits, General Dynamics и др.);

Помимо этого, одним из направлений компании «ЭлектроПласт» является направление «Источники питания». Мы предлагаем Вам помощь Конструкторского отдела:

- Подбор оптимального решения, техническое обоснование при выборе компонента;
- Подбор аналогов;
- Консультации по применению компонента;
- Поставка образцов и прототипов;
- Техническая поддержка проекта;
- Защита от снятия компонента с производства.



Как с нами связаться

Телефон: 8 (812) 309 58 32 (многоканальный)

Факс: 8 (812) 320-02-42

Электронная почта: org@eplast1.ru

Адрес: 198099, г. Санкт-Петербург, ул. Калинина, дом 2, корпус 4, литера А.