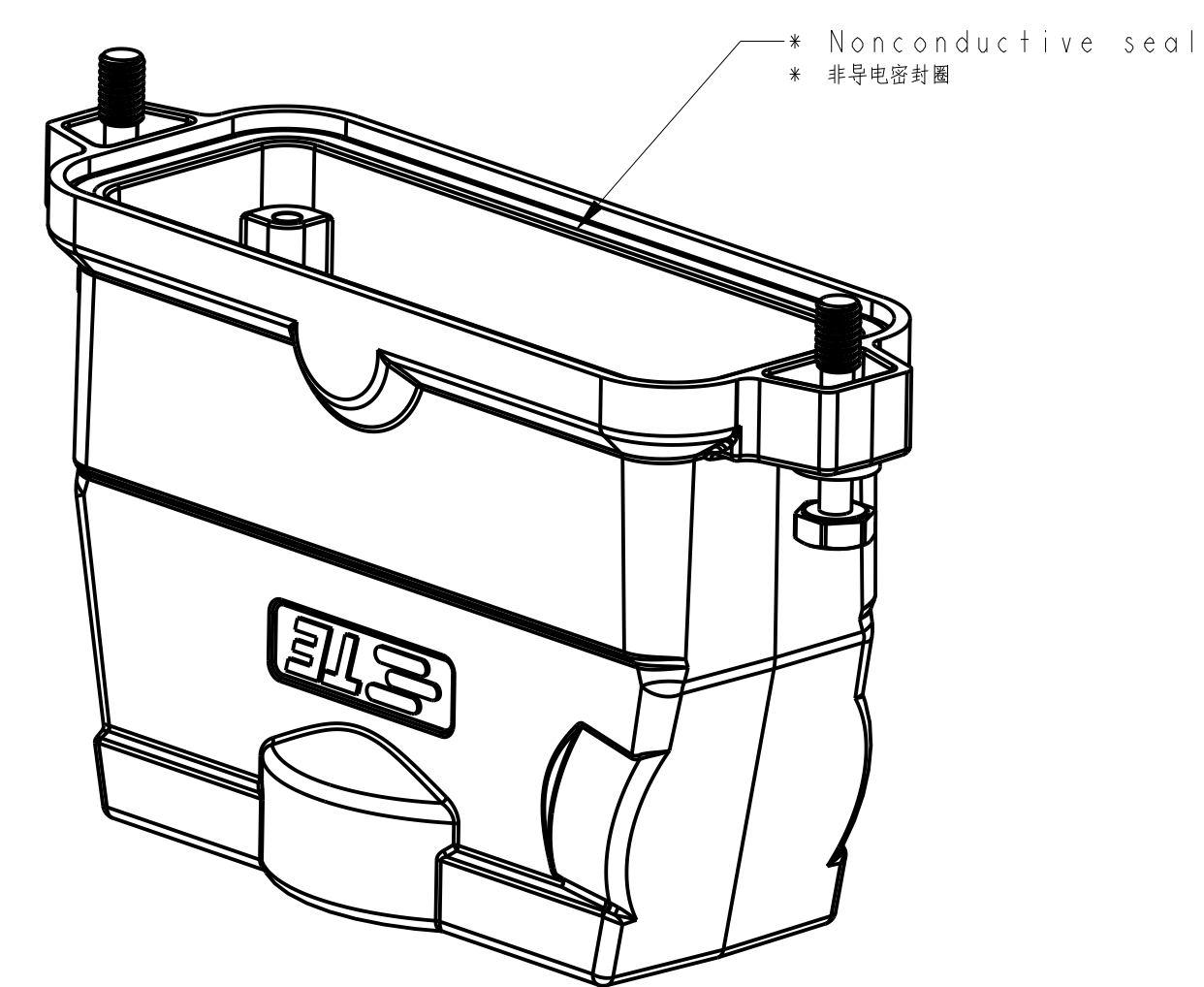
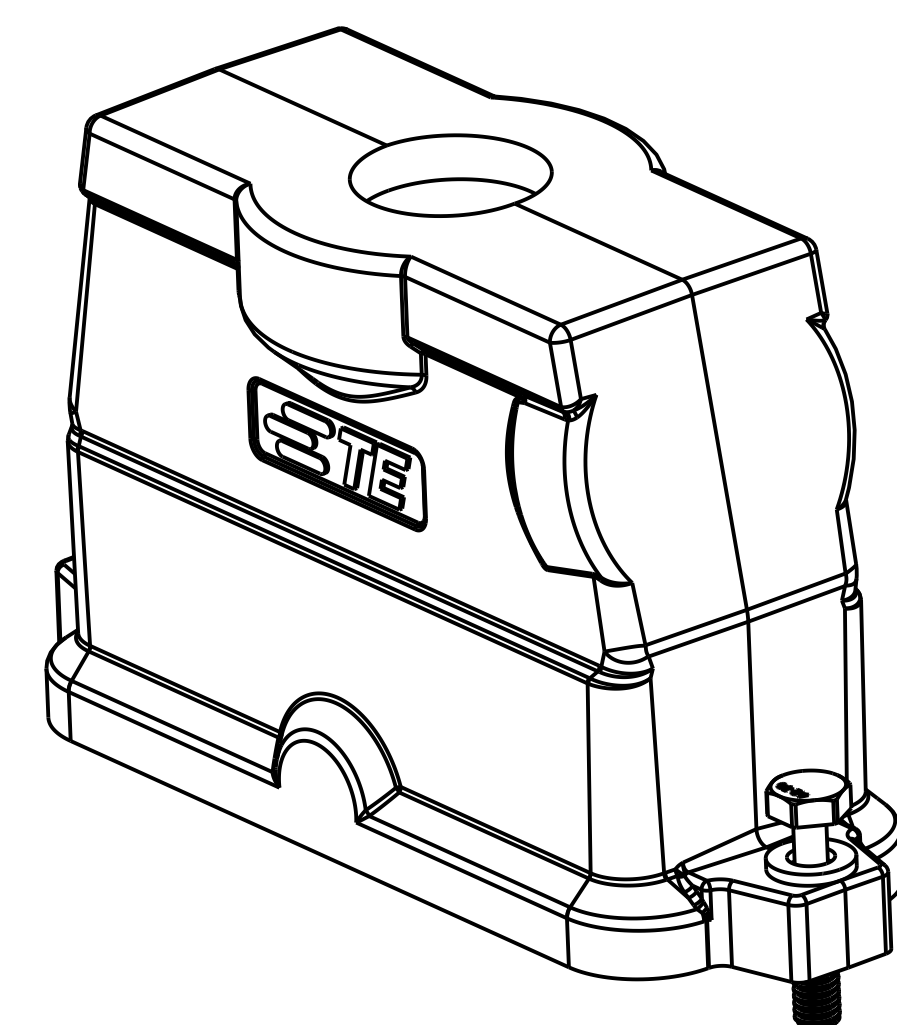
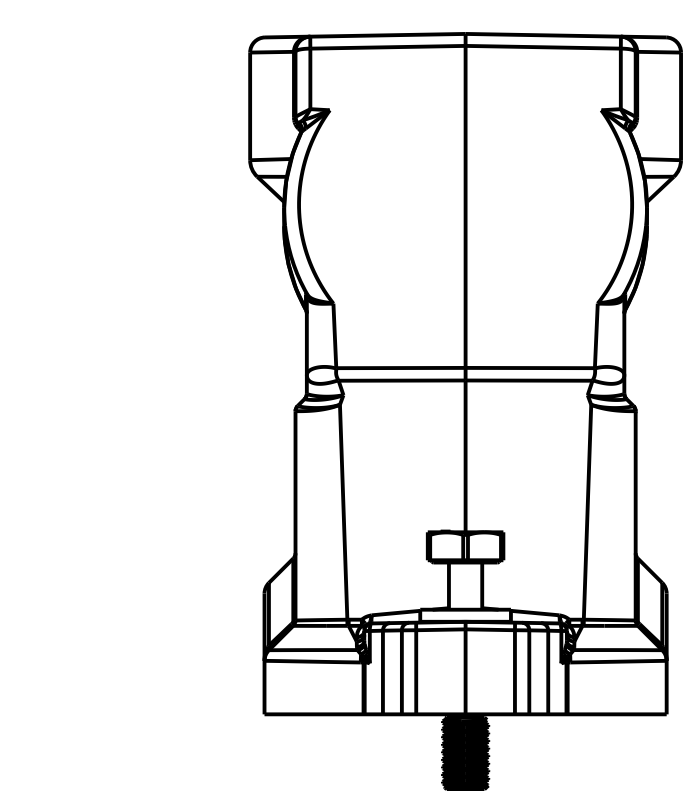
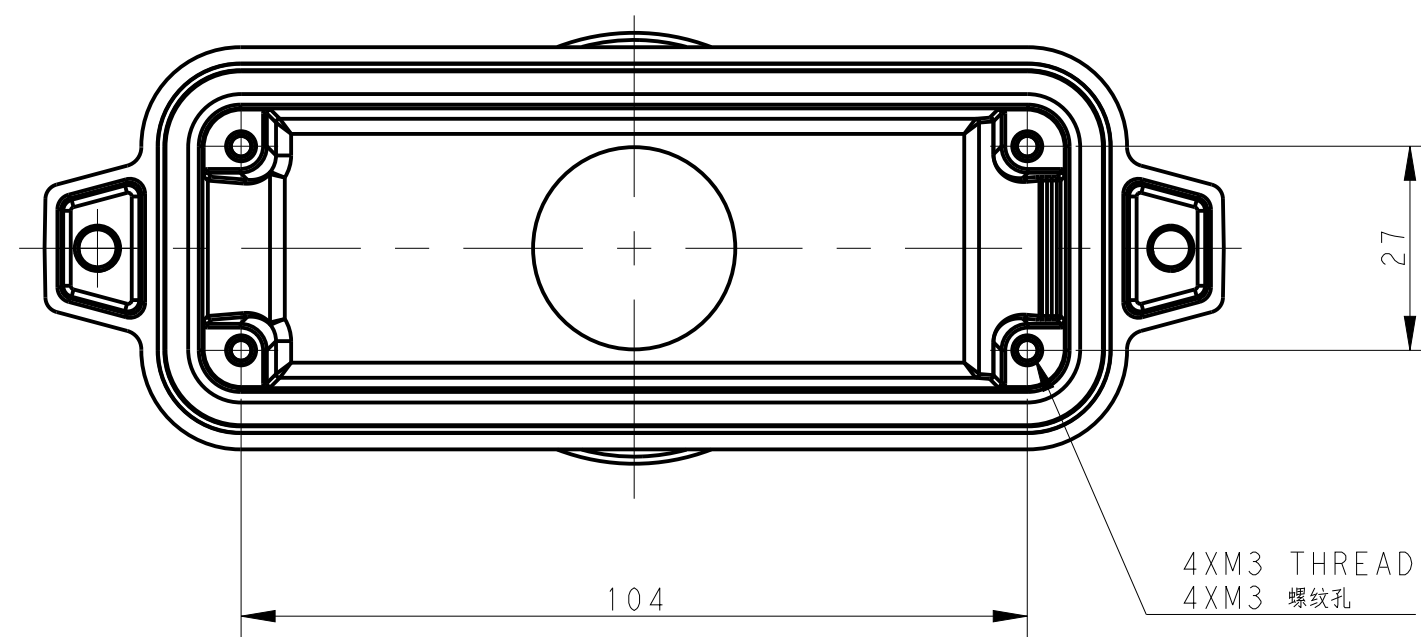
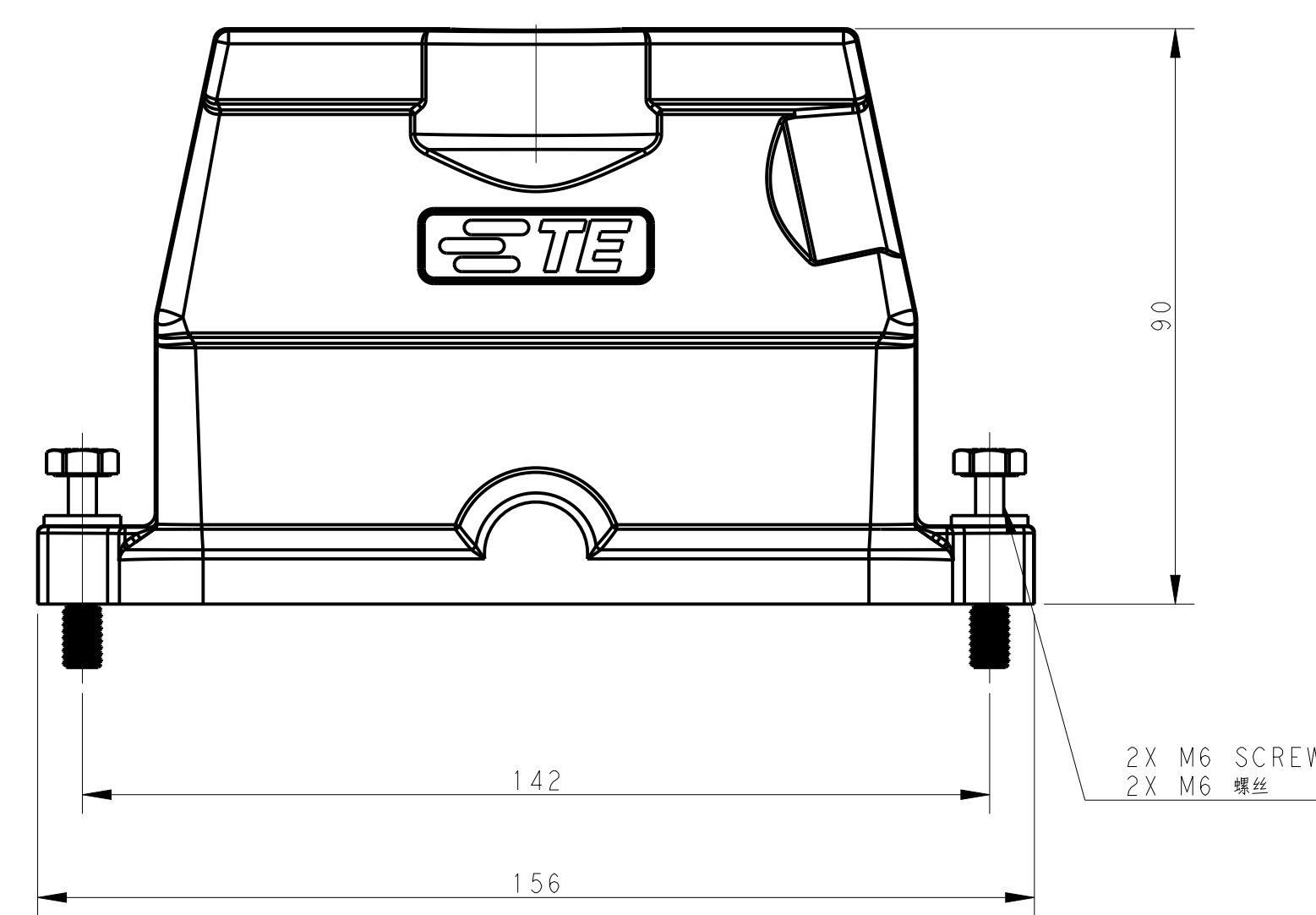
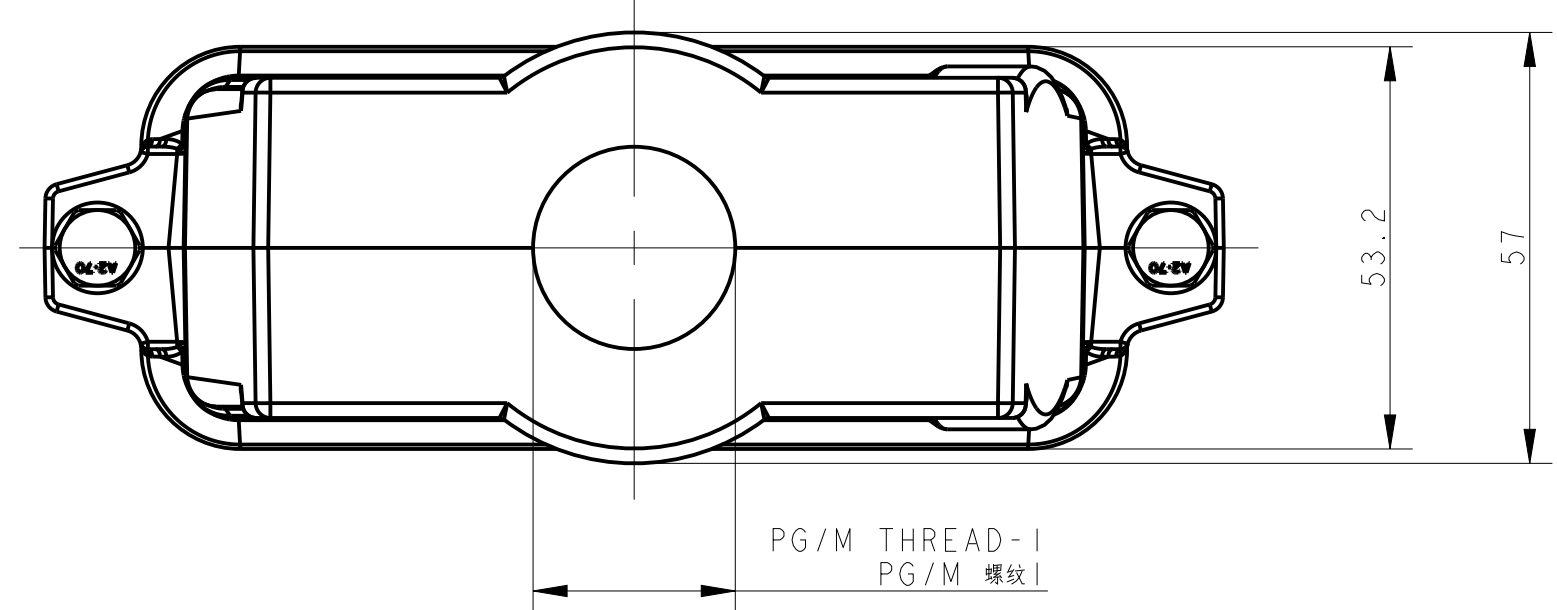


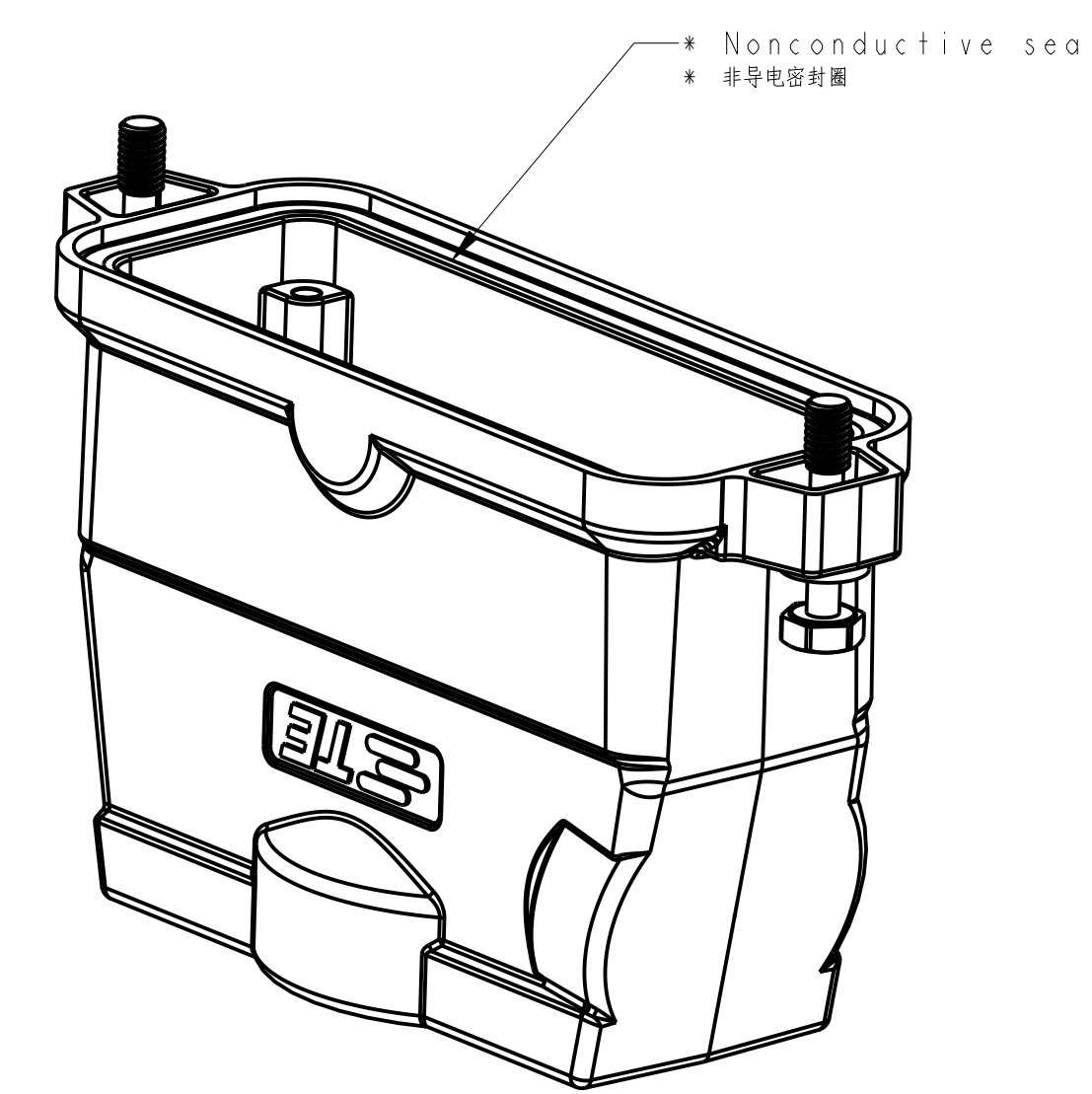
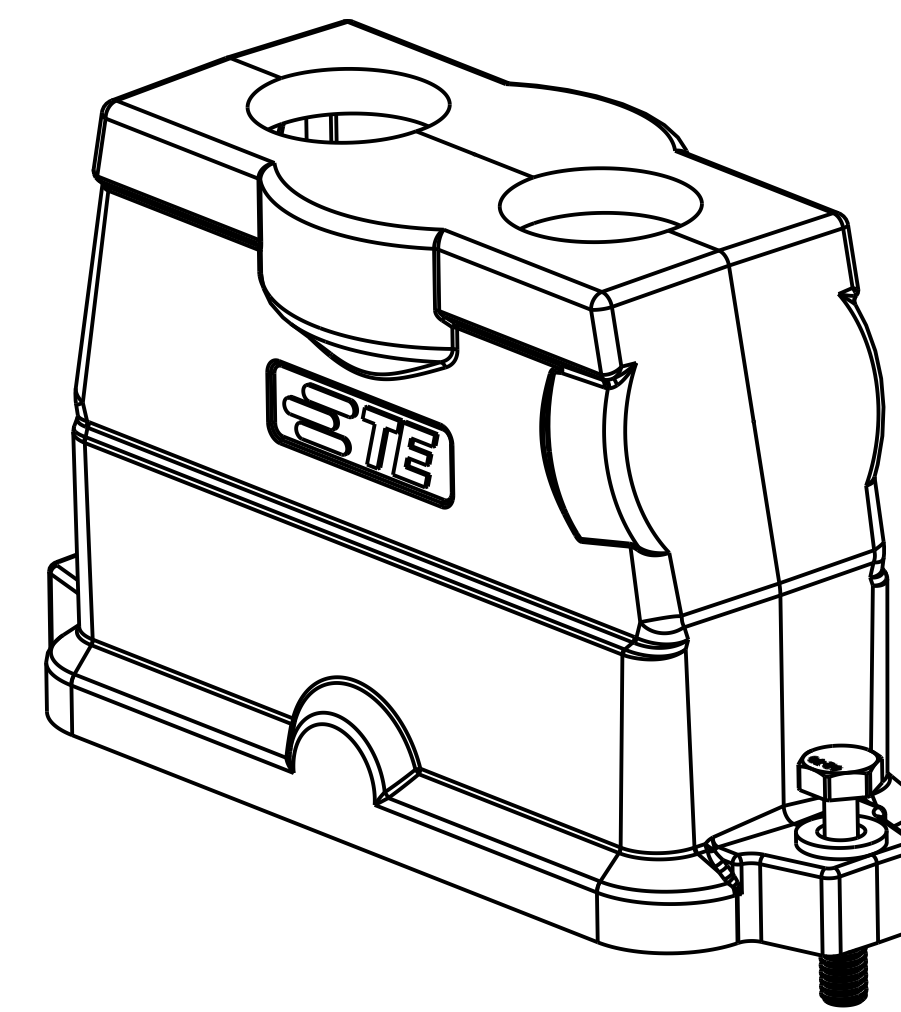
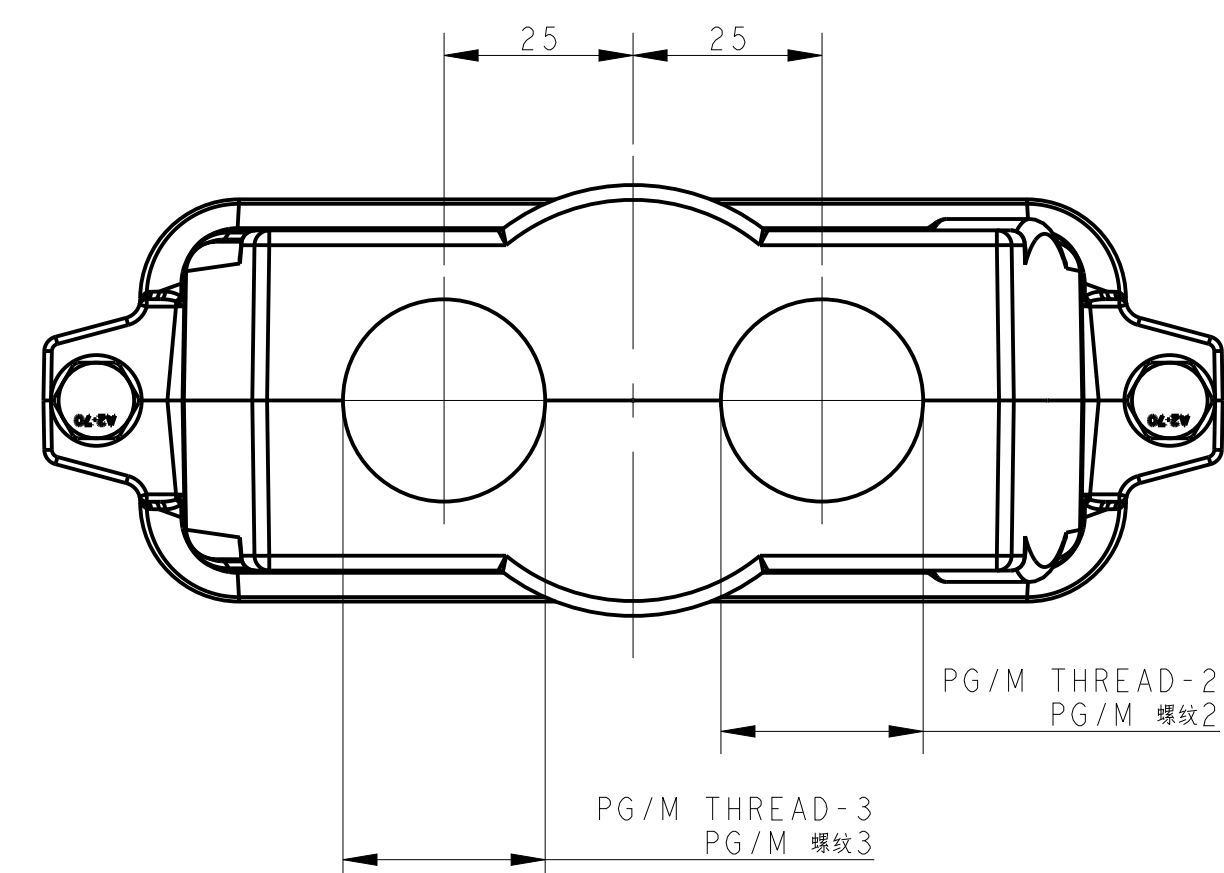
TYPE 1 类型 1

Single PG/M thread & With nonconductive seal
单PG/M螺纹孔与绝缘密封件



TYPE 2 类型 2

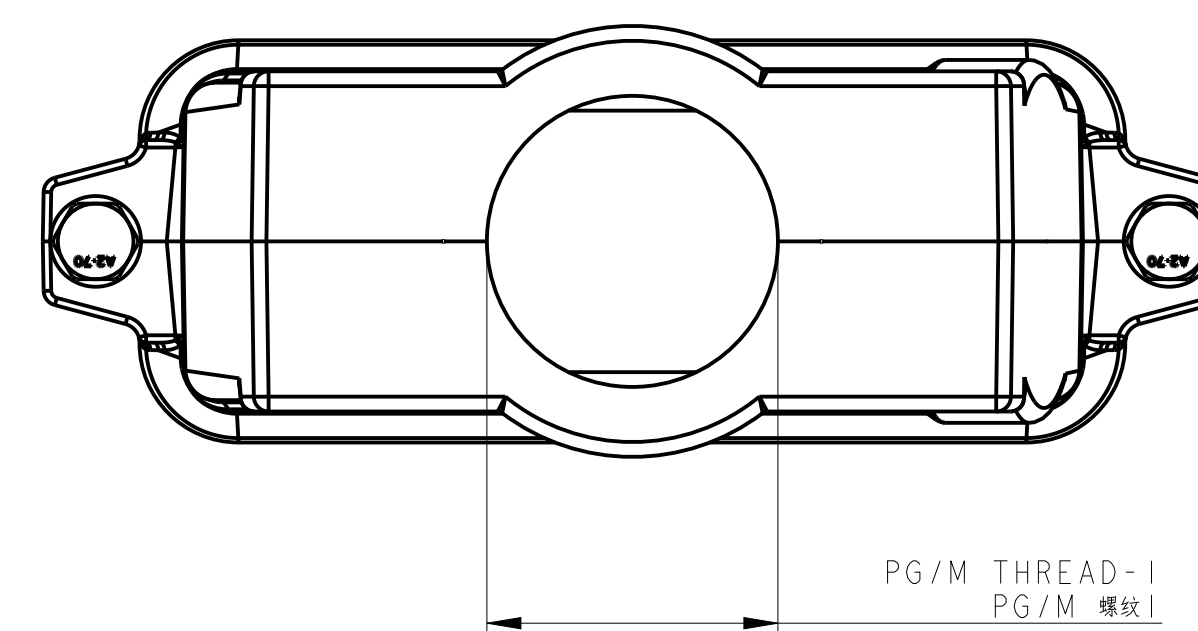
Two PG/M threads & With nonconductive seal
两个PG/M螺纹孔与绝缘密封件



All dimension is same as TYPE 1, except those defined in this TYPE
除了在本类型中定义的尺寸外, 其他尺寸同类型 1

TYPE 4 类型 4

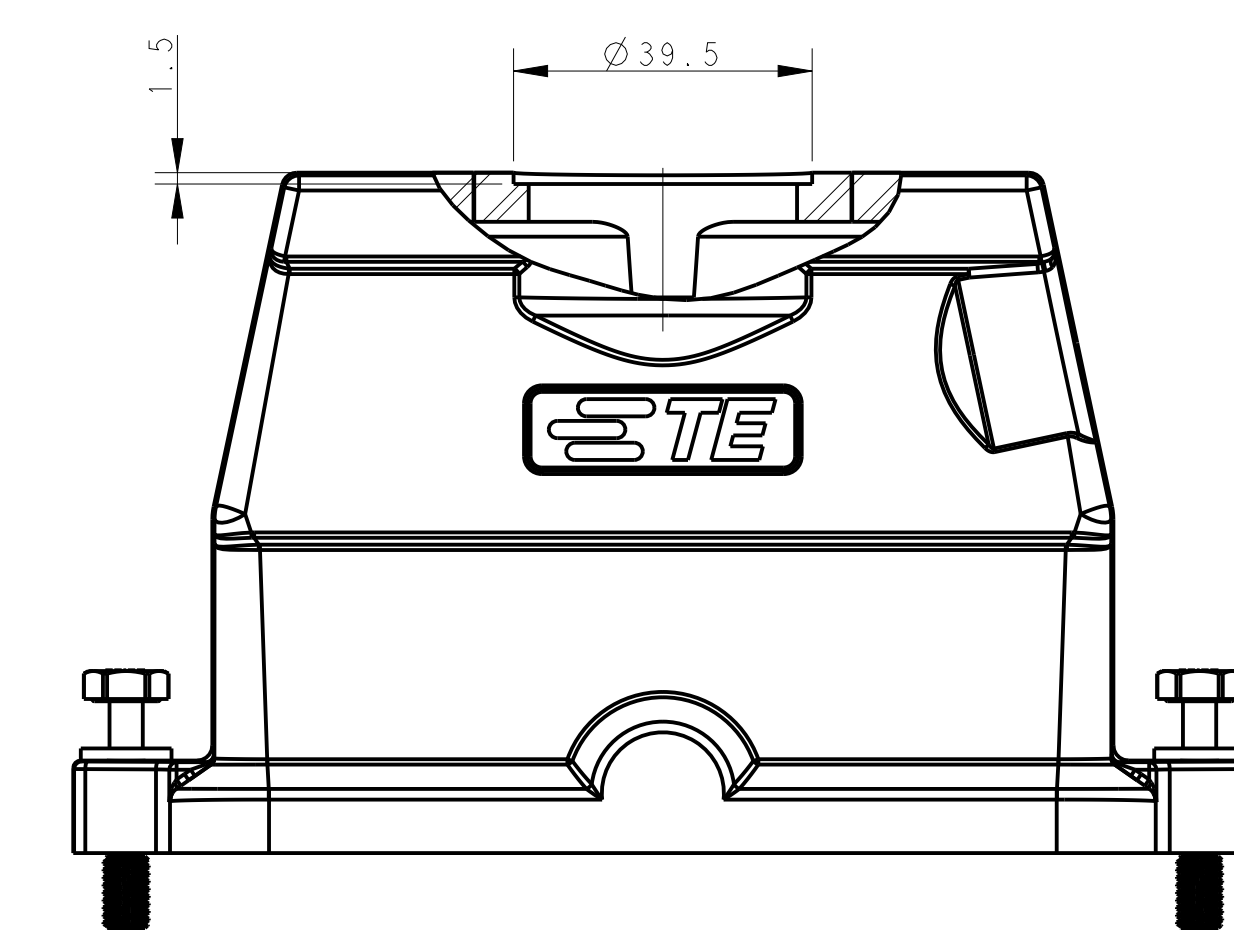
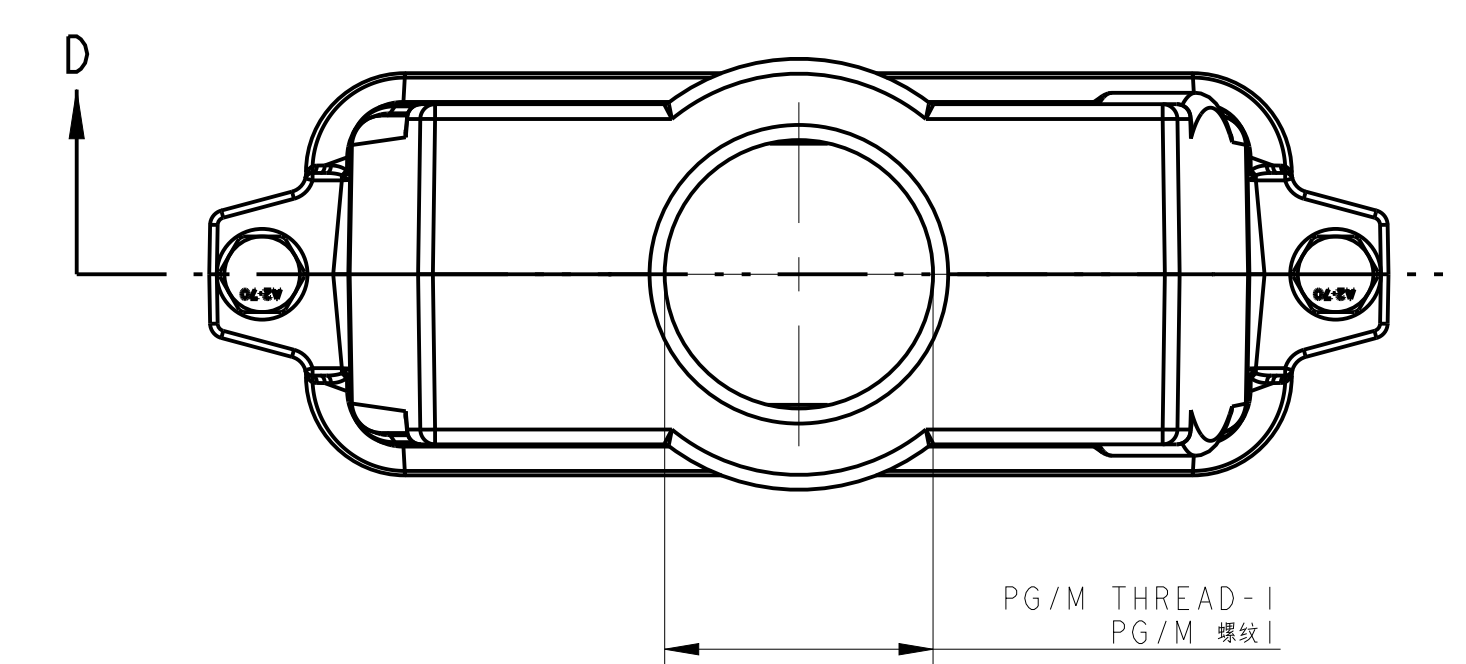
Single PG/M thread & With nonconductive seal, No logo
单PG/M螺纹孔与绝缘密封件, 无Logo



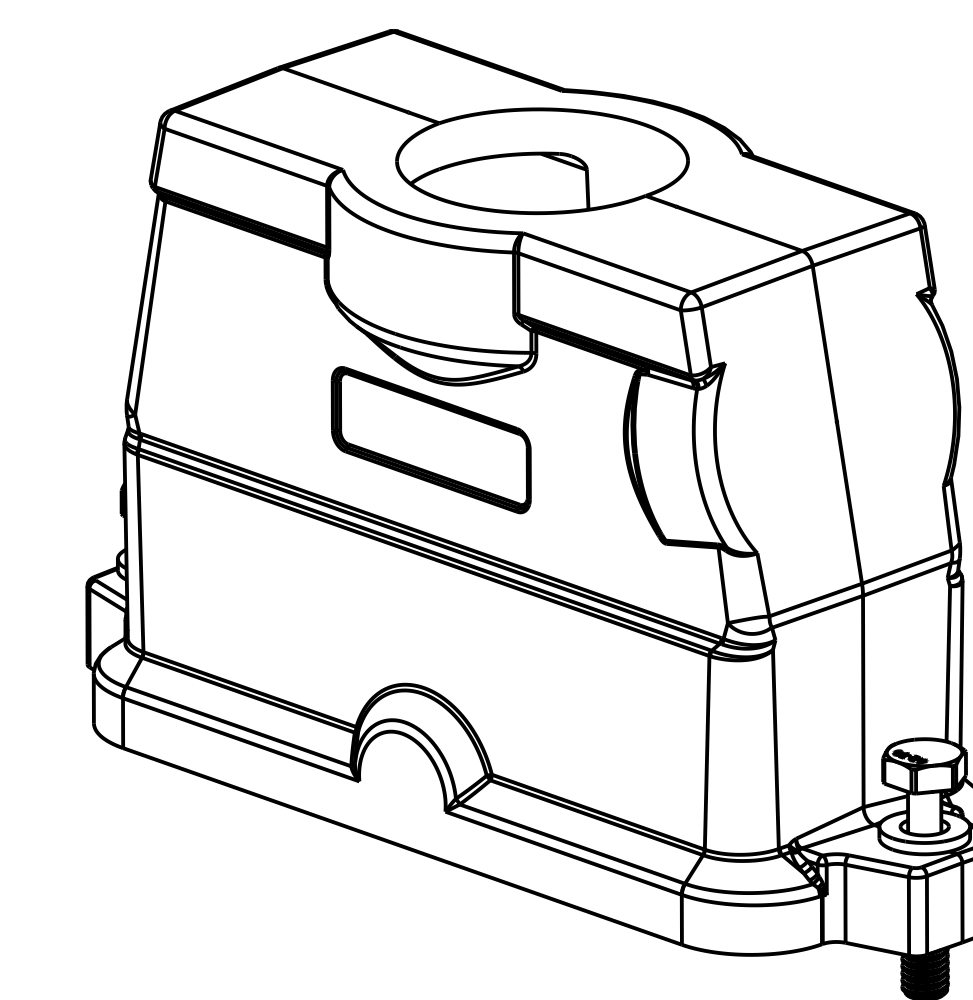
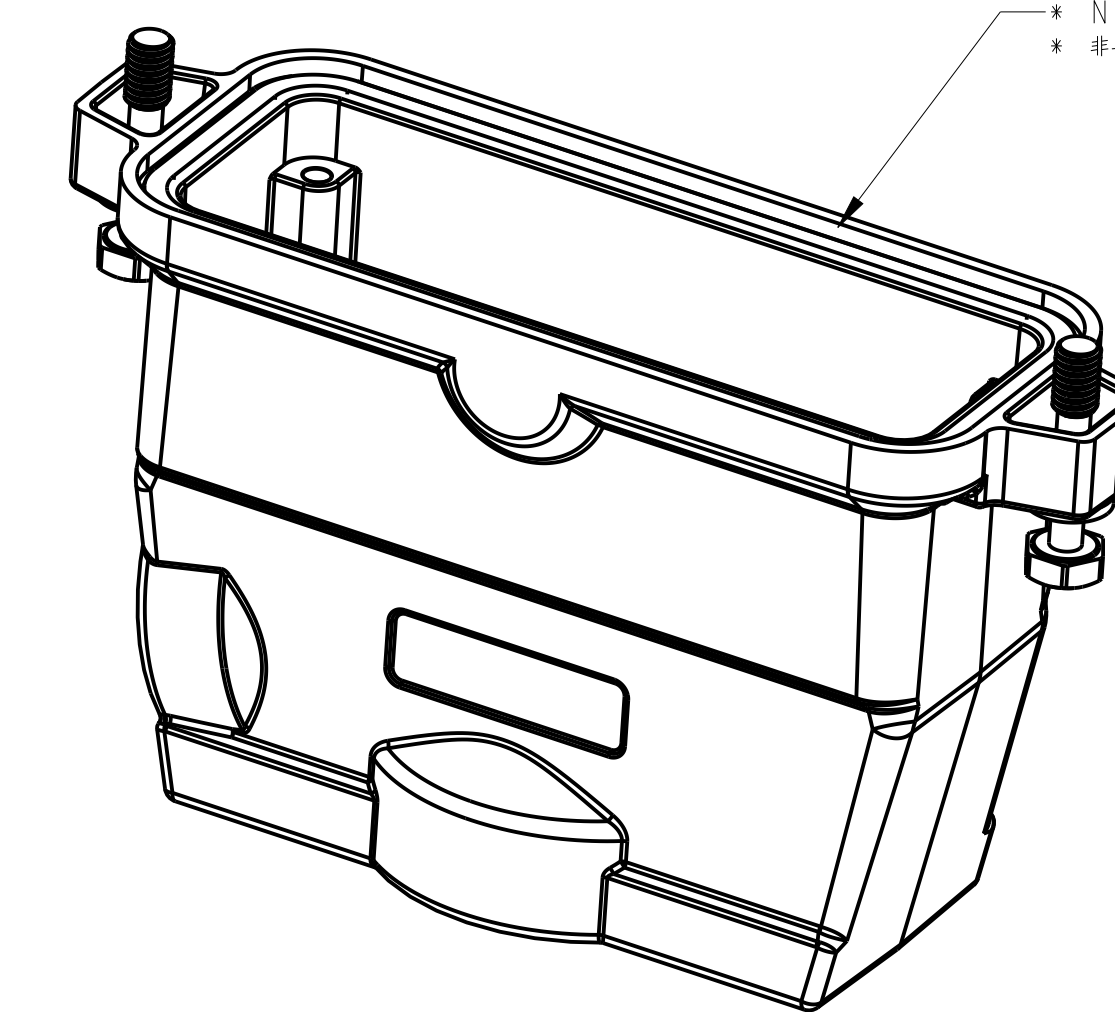
All dimension is same as TYPE 1, except those defined in this TYPE
除了在本类型中定义的尺寸外, 其他尺寸同类型 1

TYPE 3 类型 3

Single PG/M thread & With conductive seal
单PG/M螺纹孔与导电密封件



All dimension is same as TYPE 1, except those defined in this TYPE
除了在本类型中定义的尺寸外, 其他尺寸同类型 1



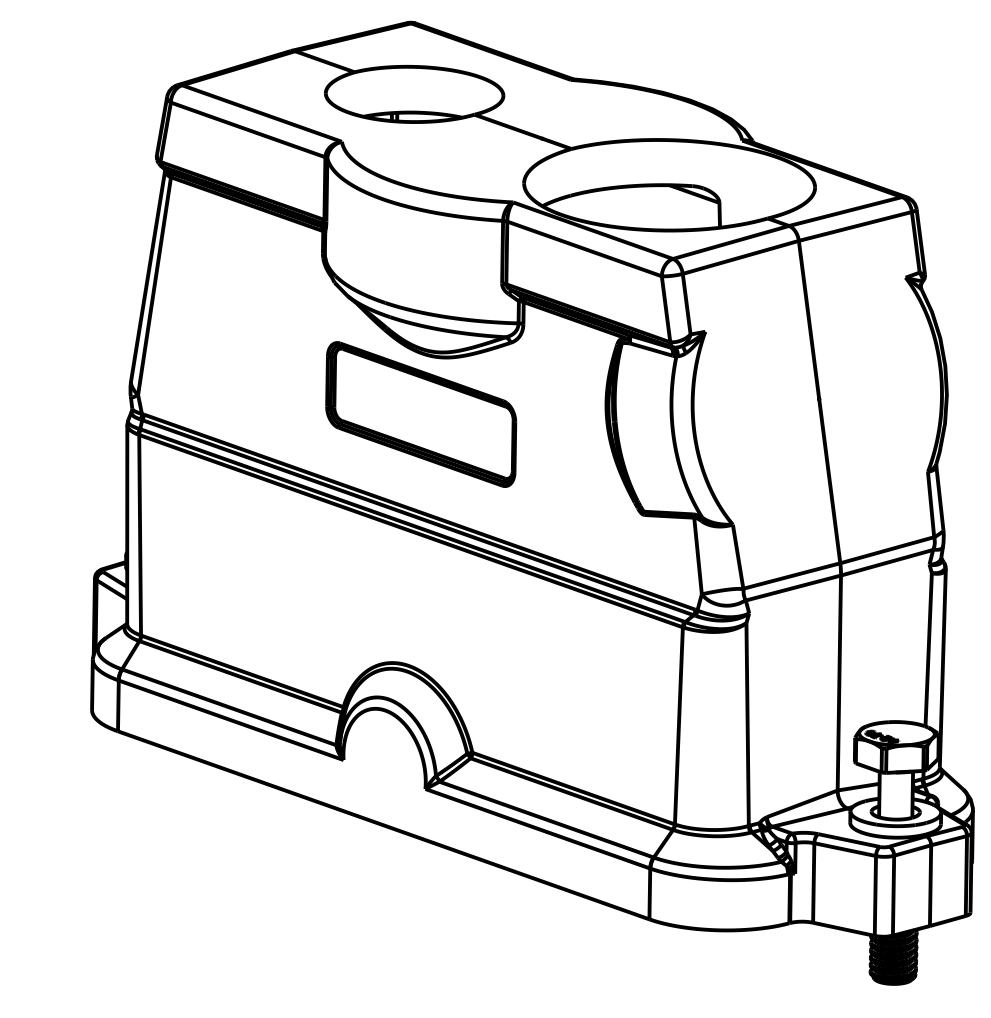
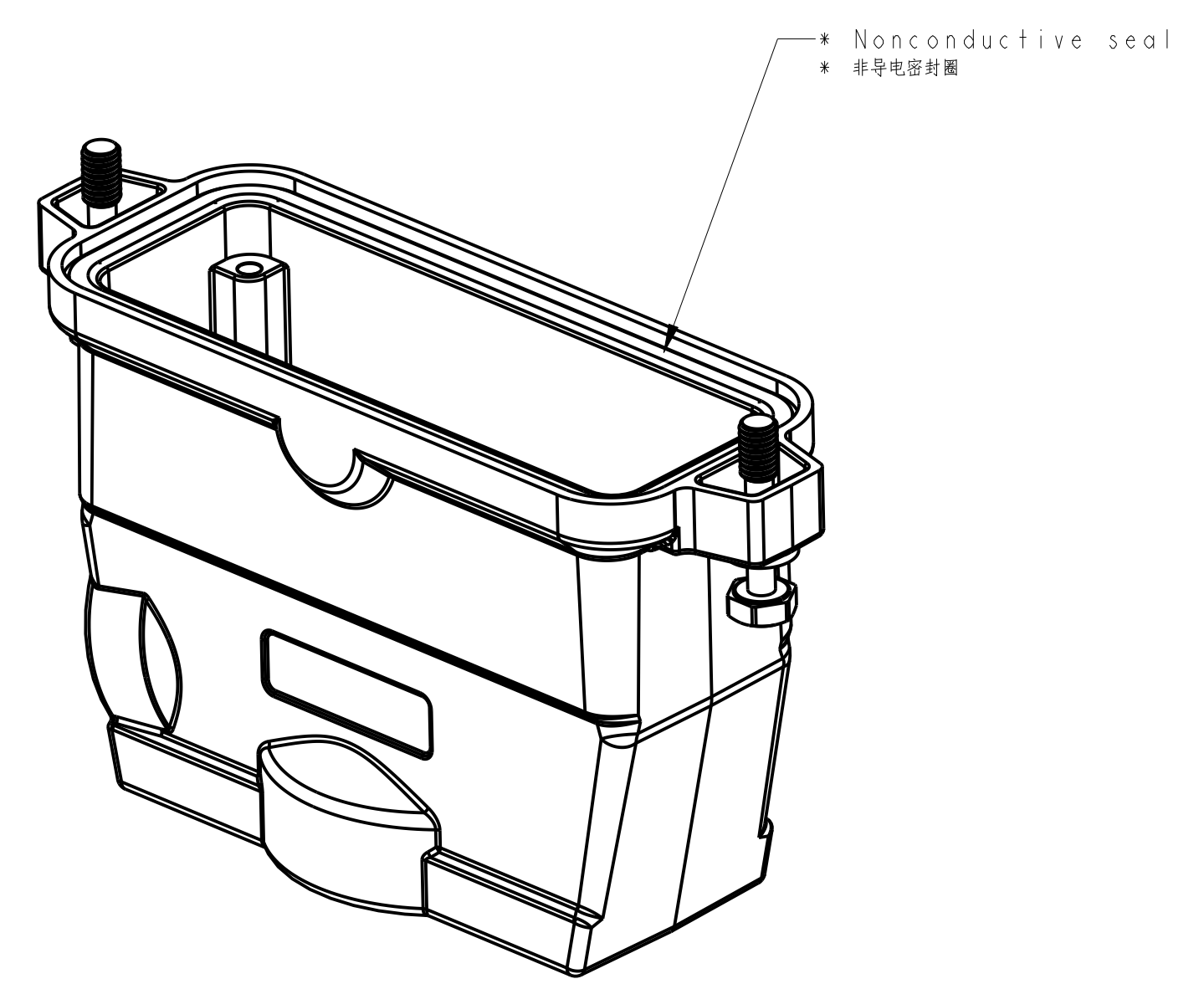
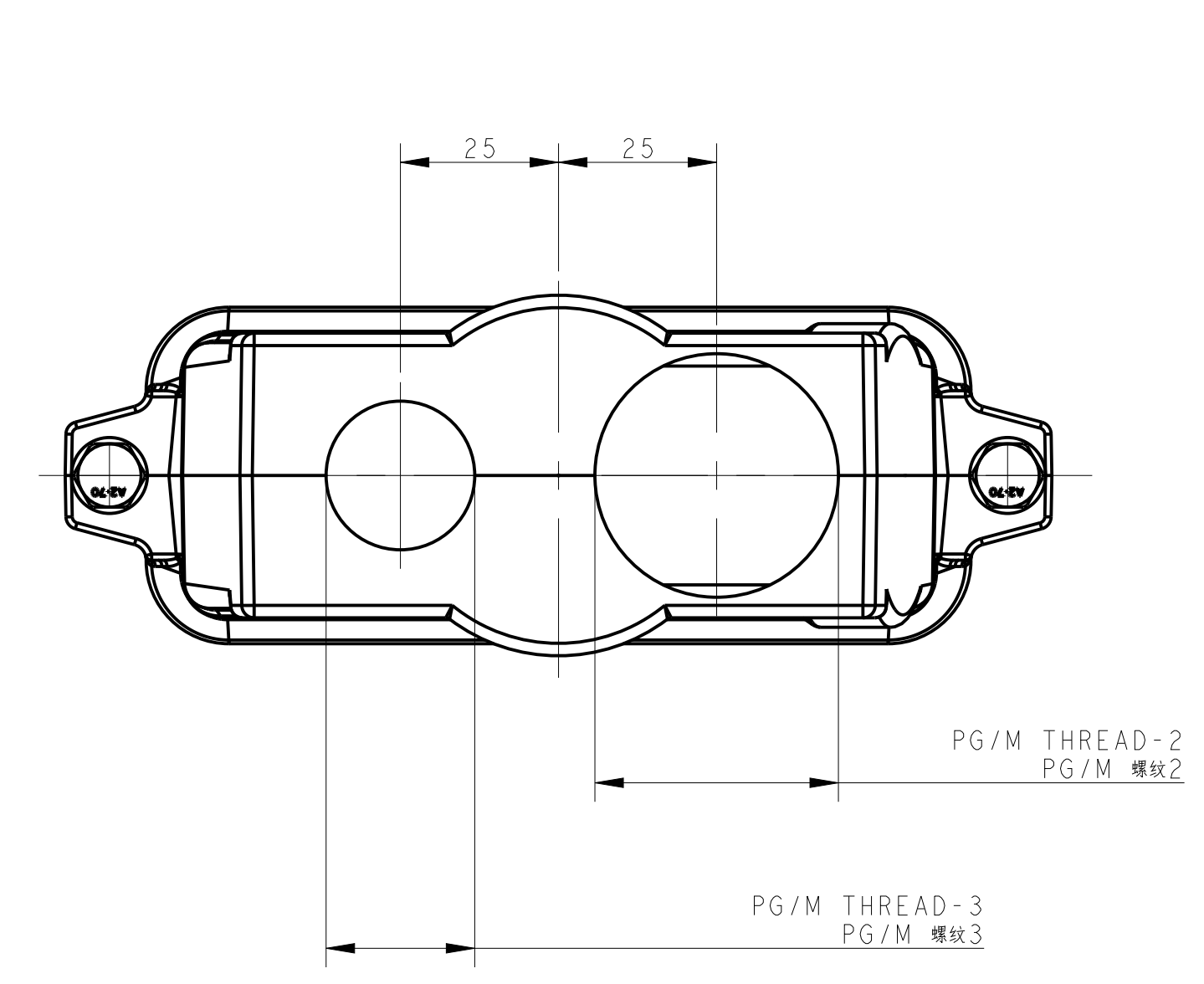
| REVISIONS | | | | |
|-----------|----------|---------------|----|------|
| REV | DATE | DESCRIPTION | BY | APPD |
| B3 | 20250318 | ECR-18-009564 | CD | CW |
| B4 | 20250318 | ECR-18-017123 | KW | CW |
| B5 | 20250318 | ECR-19-006656 | CD | CW |
| B6 | 20250318 | ECR-19-007133 | BS | CW |

| | | | | |
|----------------------------------------|-----|-------------------|--------|-----------------------------------------------------------------------|
| THIS DRAWING IS A CONTROLLED DOCUMENT. | | DATE: 16 JUN 2015 | REV: 0 | TE Connectivity H24BPR-TGHC-PG/M |
| DIMENSIONS: | | DATE: 16 JUN 2015 | REV: 1 | |
| 0 | PLC | DATE: 16 JUN 2015 | REV: 2 | SITE: CAE CODE: DRAWING NO: T192224XXXXX00 SCALE: 1:1 SHEET 1 OF 2 |
| 1 | PLC | DATE: 16 JUN 2015 | REV: 3 | |
| 2 | PLC | DATE: 16 JUN 2015 | REV: 4 | RESTRICTED TO: |
| 3 | PLC | DATE: 16 JUN 2015 | REV: 5 | |
| 4 | PLC | DATE: 16 JUN 2015 | REV: 6 | |
| MATERIAL: | | DATE: 16 JUN 2015 | REV: 7 | |
| FINISH: | | DATE: 16 JUN 2015 | REV: 8 | |
| CUSTOMER DRAWING | | DATE: 16 JUN 2015 | REV: 9 | |

| REVISIONS | | | |
|-----------|-------------|-----|------|
| REV | DATE | BY | APPD |
| 1 | 16 JUN 2015 | CHC | YANG |
| 2 | 16 JUN 2015 | CHC | YANG |
| 3 | 16 JUN 2015 | CHC | YANG |
| 4 | 16 JUN 2015 | CHC | YANG |
| 5 | 16 JUN 2015 | CHC | YANG |
| 6 | 16 JUN 2015 | CHC | YANG |

TYPE 5 类型5

Two PG/M threads & With nonconductive seal, No Logo
 两个PG/M螺柱孔及带有非导电密封胶, 无Logo



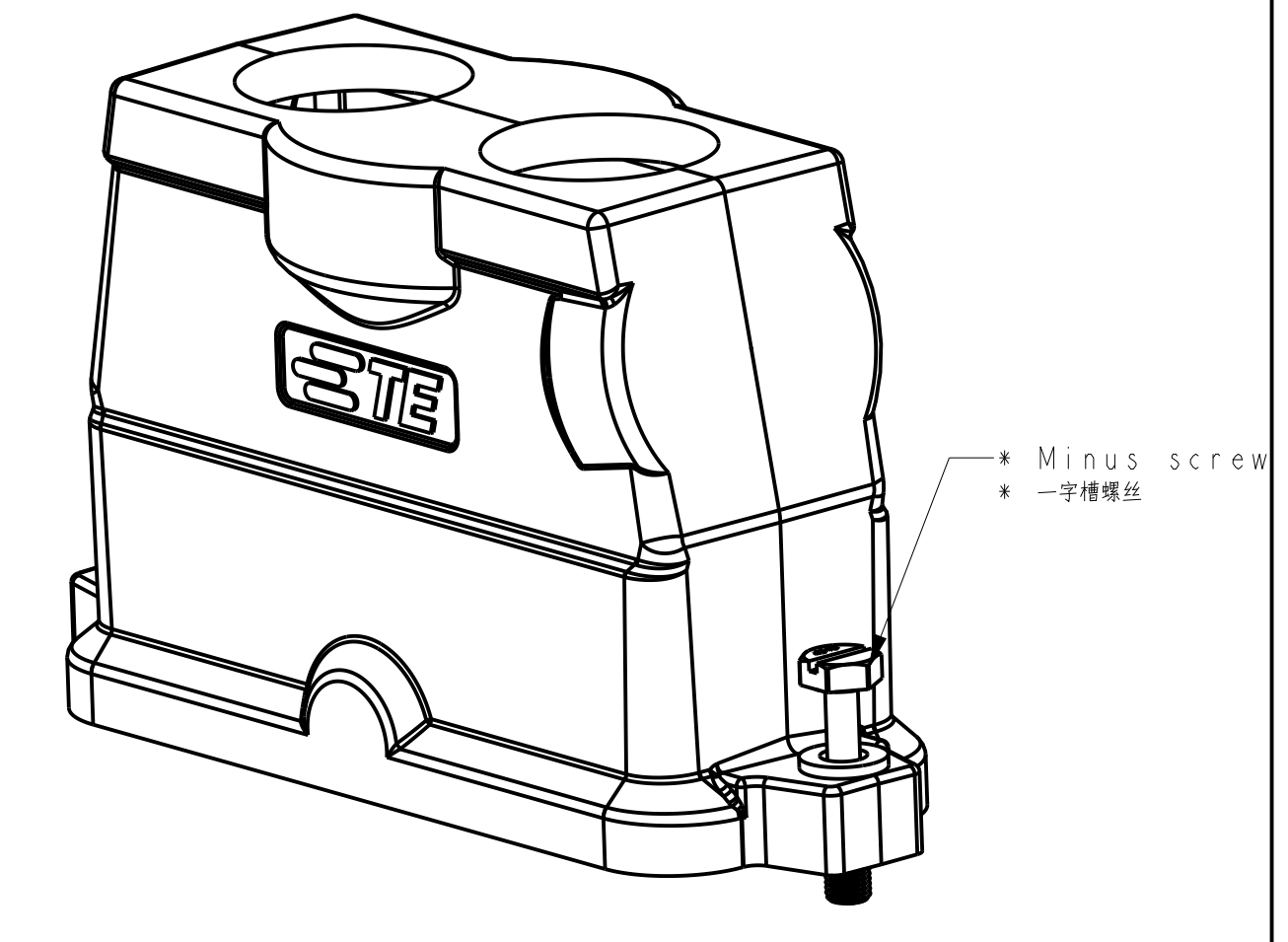
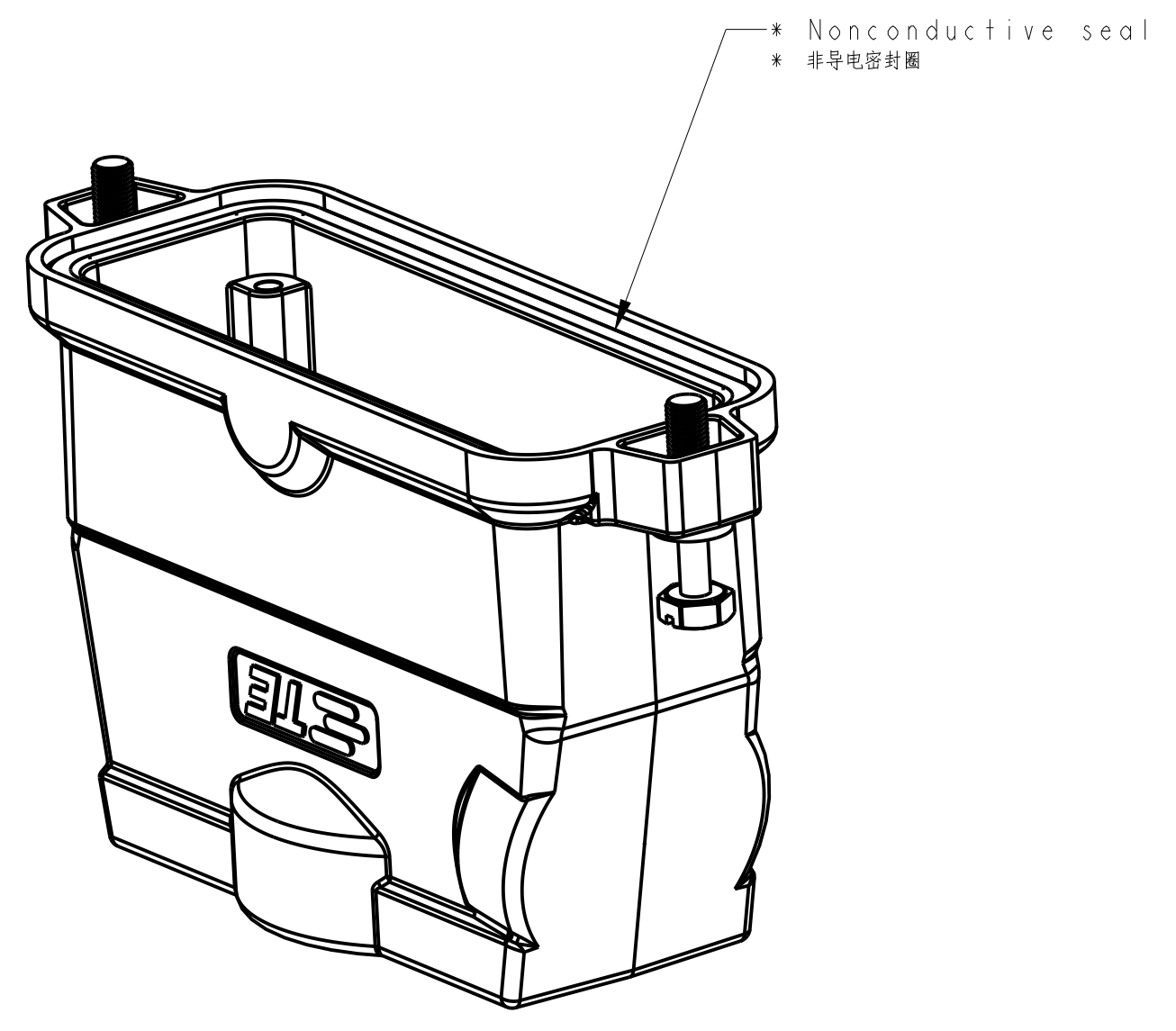
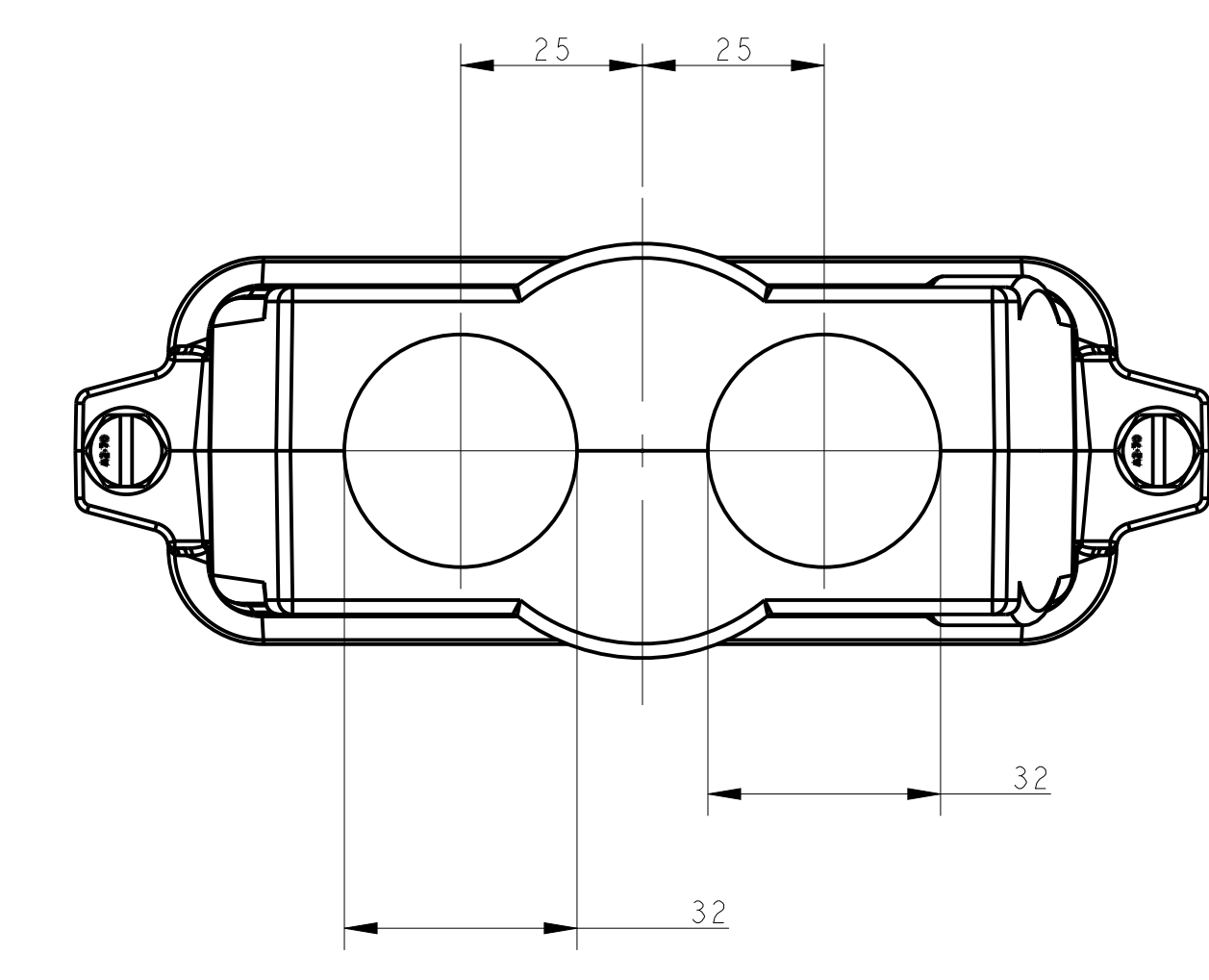
NOTES:
 1. TECHNICAL CHARACTERISTICS:
 HOOD MATERIAL: DIE CAST ALUMINIUM ALLOY
 SURFACE TREATMENT: SEE TABLE
 DEGREE OF PROTECTION: IP68 (MATED)

注:
 1. 技术参数:
 壳体材料: 铝合金
 表面处理: 见表格
 防护等级: IP68 (配合)

All dimension is same as TYPE 1, except those defined in this TYPE
 除了在本类型中定义的尺寸外, 其他尺寸同类型1

TYPE 6 类型6

Two PG/M threads & With nonconductive seal & Minus screw
 两个PG/M螺柱孔及带有非导电密封胶及一字槽螺柱



All dimension is same as TYPE 1, except those defined in this TYPE
 除了在本类型中定义的尺寸外, 其他尺寸同类型1

| TYPE 6 | TYPE 4 | TYPE 5 | TYPE 3 | TYPE 2 | TYPE 1 |
|--------------------------------------------------------------|---------------------|------------------------------------------------------------------------------------------------------------------------------------------------------------|--------|--------|--------|
| T1922242232-000 POWDER COATED, GREY 表面喷涂, 灰色 | H24BPR-TGHC-2M32 | H24BPR HOOD, CENTER LOCKING, MINUS SCREW, TOP ENTRY 2M32, POWDER COATED, GREY H24BPR上盖, 中翻锁, 一字槽螺柱, 顶出2M32, 灰色粉末喷涂 | M32 | M32 | - |
| T1922242125-001 POWDER COATED, DEEP GREY 表面喷涂, 深灰色 | H24BPR-TGHC-M25 | H24BPR HOOD, CENTER LOCKING, TOP ENTRY M25, POWDER COATED, DEEP GREY, NO LOGO H24BPR上盖, 中翻锁, 顶出M25, 深灰色粉末喷涂, 无LOGO | - | - | M25 |
| T1922242132-001 POWDER COATED, DEEP GREY 表面喷涂, 深灰色 | H24BPR-TGHC-M32 | H24BPR HOOD, CENTER LOCKING, TOP ENTRY M32, POWDER COATED, DEEP GREY, NO LOGO H24BPR上盖, 中翻锁, 顶出M32, 深灰色粉末喷涂, 无LOGO | - | - | M32 |
| T1922242150-001 POWDER COATED, DEEP GREY 表面喷涂, 深灰色 | H24BPR-TGHC-M50 | H24BPR HOOD, CENTER LOCKING, TOP ENTRY M50, POWDER COATED, DEEP GREY, NO LOGO H24BPR上盖, 中翻锁, 顶出M50, 深灰色粉末喷涂, 无LOGO | - | - | M50 |
| T1922242140-001 POWDER COATED, DEEP GREY 表面喷涂, 深灰色 | H24BPR-TGHC-M40 | H24BPR HOOD, CENTER LOCKING, TOP ENTRY M40, POWDER COATED, DEEP GREY, NO LOGO H24BPR上盖, 中翻锁, 顶出M40, 深灰色粉末喷涂, 无LOGO | - | - | M40 |
| T1922244025-001 POWDER COATED, DEEP GREY 表面喷涂, 深灰色 | H24BPR-TGHC-M40/M25 | H24BPR HOOD, CENTER LOCKING, TOP ENTRY M40/M25, POWDER COATED, DEEP GREY, NO LOGO H24BPR上盖, 中翻锁, 顶出M40/M25, 深灰色粉末喷涂, 无LOGO | M25 | M40 | - |
| T1922241129-001 POWDER COATED, SILVER WHITE 表面喷涂, 银白色 | H24BPR-TGHC-PG29 | H24BPR HOOD, CENTER LOCKING, TOP ENTRY PG29, POWDER COATED, SILVER WHITE, CONDUCTIVE, THREAD HOLE WITH STEP H24BPR上盖, 中翻锁, 顶出PG29, 银白色粉末喷涂, 导电孔, 螺柱孔带台阶 | - | - | PG29 |
| T1922240129-001 POWDER COATED, BLACK 表面喷涂, 黑色 | H24BPR-TGHC-PG29 | H24BPR HOOD, CENTER LOCKING, TOP ENTRY PG29, POWDER COATED, BLACK, CONDUCTIVE, THREAD HOLE WITH STEP H24BPR上盖, 中翻锁, 顶出PG29, 黑色粉末喷涂, 导电孔, 螺柱孔带台阶 | - | - | PG29 |
| T19222411221-000 POWDER COATED, SILVER WHITE 表面喷涂, 银白色 | H24BPR-TGHC-2PG21 | H24BPR HOOD, CENTER LOCKING, TOP ENTRY 2PG21, POWDER COATED, SILVER WHITE H24BPR上盖, 中翻锁, 顶出2PG21, 银白色粉末喷涂 | PG21 | PG21 | - |
| T1922241232-000 POWDER COATED, SILVER WHITE 表面喷涂, 银白色 | H24BPR-TGHC-M32/M25 | H24BPR HOOD, CENTER LOCKING, TOP ENTRY M32/M25, POWDER COATED, SILVER WHITE H24BPR上盖, 中翻锁, 顶出M32/M25, 银白色粉末喷涂 | M25 | M32 | - |
| T1922244025-000 POWDER COATED, SILVER WHITE 表面喷涂, 银白色 | H24BPR-TGHC-M40/M25 | H24BPR HOOD, CENTER LOCKING, TOP ENTRY M40/M25, POWDER COATED, SILVER WHITE H24BPR上盖, 中翻锁, 顶出M40/M25, 银白色粉末喷涂 | M25 | M40 | - |
| T1922241140-000 POWDER COATED, SILVER WHITE 表面喷涂, 银白色 | H24BPR-TGHC-M40 | H24BPR HOOD, CENTER LOCKING, TOP ENTRY M40, POWDER COATED, SILVER WHITE H24BPR上盖, 中翻锁, 顶出M40, 银白色粉末喷涂 | - | - | M40 |
| T1922241136-000 POWDER COATED, SILVER WHITE 表面喷涂, 银白色 | H24BPR-TGHC-PG36 | H24BPR HOOD, CENTER LOCKING, TOP ENTRY PG36, POWDER COATED, SILVER WHITE H24BPR上盖, 中翻锁, 顶出PG36, 银白色粉末喷涂 | - | - | PG36 |
| T1922241132-000 POWDER COATED, SILVER WHITE 表面喷涂, 银白色 | H24BPR-TGHC-M32 | H24BPR HOOD, CENTER LOCKING, TOP ENTRY M32, POWDER COATED, SILVER WHITE H24BPR上盖, 中翻锁, 顶出M32, 银白色粉末喷涂 | - | - | M32 |
| T1922241129-000 POWDER COATED, SILVER WHITE 表面喷涂, 银白色 | H24BPR-TGHC-PG29 | H24BPR HOOD, CENTER LOCKING, TOP ENTRY PG29, POWDER COATED, SILVER WHITE H24BPR上盖, 中翻锁, 顶出PG29, 银白色粉末喷涂 | - | - | PG29 |
| T1922241125-000 POWDER COATED, SILVER WHITE 表面喷涂, 银白色 | H24BPR-TGHC-M25 | H24BPR HOOD, CENTER LOCKING, TOP ENTRY M25, POWDER COATED, SILVER WHITE H24BPR上盖, 中翻锁, 顶出M25, 银白色粉末喷涂 | - | - | M25 |
| T1922241121-000 POWDER COATED, SILVER WHITE 表面喷涂, 银白色 | H24BPR-TGHC-PG21 | H24BPR HOOD, CENTER LOCKING, TOP ENTRY PG21, POWDER COATED, SILVER WHITE H24BPR上盖, 中翻锁, 顶出PG21, 银白色粉末喷涂 | - | - | PG21 |
| T1922240140-000 POWDER COATED, BLACK 表面喷涂, 黑色 | H24BPR-TGHC-M40 | H24BPR HOOD, CENTER LOCKING, TOP ENTRY M40, POWDER COATED, BLACK H24BPR上盖, 中翻锁, 顶出M40, 黑色粉末喷涂 | - | - | M40 |
| T1922240136-000 POWDER COATED, BLACK 表面喷涂, 黑色 | H24BPR-TGHC-PG36 | H24BPR HOOD, CENTER LOCKING, TOP ENTRY PG36, POWDER COATED, BLACK H24BPR上盖, 中翻锁, 顶出PG36, 黑色粉末喷涂 | - | - | PG36 |
| T1922240132-000 POWDER COATED, BLACK 表面喷涂, 黑色 | H24BPR-TGHC-M32 | H24BPR HOOD, CENTER LOCKING, TOP ENTRY M32, POWDER COATED, BLACK H24BPR上盖, 中翻锁, 顶出M32, 黑色粉末喷涂 | - | - | M32 |
| T1922240129-000 POWDER COATED, BLACK 表面喷涂, 黑色 | H24BPR-TGHC-PG29 | H24BPR HOOD, CENTER LOCKING, TOP ENTRY PG29, POWDER COATED, BLACK H24BPR上盖, 中翻锁, 顶出PG29, 黑色粉末喷涂 | - | - | PG29 |
| T1922240125-000 POWDER COATED, BLACK 表面喷涂, 黑色 | H24BPR-TGHC-M25 | H24BPR HOOD, CENTER LOCKING, TOP ENTRY M25, POWDER COATED, BLACK H24BPR上盖, 中翻锁, 顶出M25, 黑色粉末喷涂 | - | - | M25 |
| T1922240121-000 POWDER COATED, BLACK 表面喷涂, 黑色 | H24BPR-TGHC-PG21 | H24BPR HOOD, CENTER LOCKING, TOP ENTRY PG21, POWDER COATED, BLACK H24BPR上盖, 中翻锁, 顶出PG21, 黑色粉末喷涂 | - | - | PG21 |

| | | | | |
|----------------------------------------|--|------------------------------|------------------|--------------------------------------|
| THIS DRAWING IS A CONTROLLED DOCUMENT. | | DATE: 16 JUN 2015 | BY: CHC | APPD: YANG |
| DIMENSIONS: (mm) | | SCALE: 1:1 | SHEET 2 OF 2 | |
| MATERIAL: AL0 | | FINISH: - | CUSTOMER DRAWING | |
| PRODUCT SPEC: 108-137014 | | APPLICATION SPEC: 114-137014 | | REVISIONS: 1, 2, 3, 4, 5, 6 |
| PART NUMBER: H24BPR-TGHC-PG/M | | SURFACE TREATMENT: - | | DESCRIPTION: PG/M THREAD-3, PG/M 螺柱3 |
| TE Connectivity | | H24BPR-TGHC-PG/M | | |



Компания «ЭлектроПласт» предлагает заключение долгосрочных отношений при поставках импортных электронных компонентов на взаимовыгодных условиях!

Наши преимущества:

- Оперативные поставки широкого спектра электронных компонентов отечественного и импортного производства напрямую от производителей и с крупнейших мировых складов;
- Поставка более 17-ти миллионов наименований электронных компонентов;
- Поставка сложных, дефицитных, либо снятых с производства позиций;
- Оперативные сроки поставки под заказ (от 5 рабочих дней);
- Экспресс доставка в любую точку России;
- Техническая поддержка проекта, помощь в подборе аналогов, поставка прототипов;
- Система менеджмента качества сертифицирована по Международному стандарту ISO 9001;
- Лицензия ФСБ на осуществление работ с использованием сведений, составляющих государственную тайну;
- Поставка специализированных компонентов (Xilinx, Altera, Analog Devices, Intersil, Interpoint, Microsemi, Aeroflex, Peregrine, Syfer, Eurofarad, Texas Instrument, Miteq, Cobham, E2V, MA-COM, Hittite, Mini-Circuits, General Dynamics и др.);

Помимо этого, одним из направлений компании «ЭлектроПласт» является направление «Источники питания». Мы предлагаем Вам помощь Конструкторского отдела:

- Подбор оптимального решения, техническое обоснование при выборе компонента;
- Подбор аналогов;
- Консультации по применению компонента;
- Поставка образцов и прототипов;
- Техническая поддержка проекта;
- Защита от снятия компонента с производства.



Как с нами связаться

Телефон: 8 (812) 309 58 32 (многоканальный)

Факс: 8 (812) 320-02-42

Электронная почта: org@eplast1.ru

Адрес: 198099, г. Санкт-Петербург, ул. Калинина, дом 2, корпус 4, литера А.