



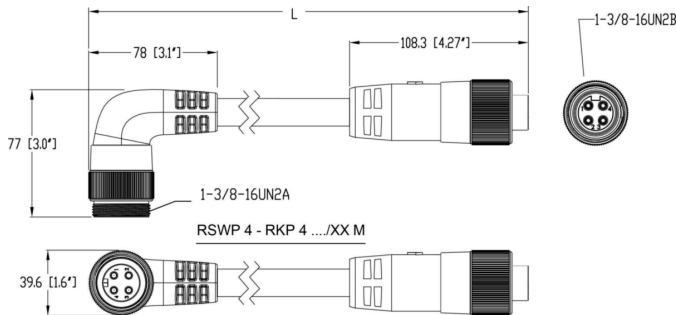
**Product:** [RSWP 4-RKP 4-803](#)

Mini Power Double-Ended Cordset: 1 3/8" female angled to 1 3/8" female straight, 4-pin(3+PE), black body, 600 V, 25 A; TPE black cable, 10 AWG

**Product Description**

Mini Power Double-Ended Cordset: 1 3/8" female angled to 1 3/8" female straight, 4-pin(3+PE), black body, 600 V, 25 A; TPE black cable, 10 AWG

**Technical Drawing**



**Technical Specifications**

**Product Description**

|                      |                       |
|----------------------|-----------------------|
| Product Family:      | Power Connector       |
| Brand:               | Lumberg Automation    |
| Connector Type:      | Cordset, double ended |
| Shielding:           | Unshielded            |
| Rated Voltage (UL):  | 600 V                 |
| Rated Current (UL)*: | 25 A                  |

**Technical Data Side 1**

|                                   |                  |
|-----------------------------------|------------------|
| Product Sub Family:               | 1 3/8"           |
| Type of Contact / Gender:         | male             |
| Connector Design:                 | angled           |
| Attachment Type:                  | Coupling Nut     |
| Number of Pins:                   | 4(3+PE)          |
| Ambient Temperature (Operation)*: | -30 °C to +90 °C |
| Protection Degree / IP Rating**:  | IP 67, IP 68     |
| Contact Base Material:            | CuSn             |
| Contact Plating:                  | Ni/Au            |
| Contact Bearer Material:          | PVC              |
| Contact Bearer Color:             | black            |
| Molded Body Material:             | PVC              |
| Molded Body Color:                | black            |
| Attachment Material:              | CuZn             |

**Cable Data**

|   |                 |
|---|-----------------|
| Cable Number:                             | 803             |
| Conductor Size:                           | 10 AWG          |
| Number of Wires:                          | 4               |
| Cable Jacket Material:                    | TPE             |
| Cable Jacket Color:                       | black           |
| Cable Diameter D:                         | ø 0.519"        |
| Wire Insulation Material:                 | PVC/NYLON       |
| Ambient Temperature (Fixed Installation): | -30 °C to +90 ° |
| Flammability Class (Cable Jacket):        | FT-4            |

## Technical Data Side 2

|   |                  |
|---|------------------|
| Product Sub Family, Side 2:               | 1 3/8"           |
| Type of Contact / Gender, Side 2:         | female           |
| Connector Design, Side 2:                 | straight         |
| Attachment Type, Side 2:                  | Coupling Nut     |
| Number of Pins, Side 2:                   | 4(3+PE)          |
| Ambient Temperature (Operation), Side 2*: | -30 °C to +90 °C |
| Protection Degree / IP Rating, Side 2**:  | IP 67, IP 68     |
| Contact Base Material, Side 2:            | CuSn             |
| Contact Plating, Side 2:                  | Ni/Au            |
| Contact Bearer Material, Side 2:          | PVC              |
| Contact Bearer Color, Side 2:             | black            |
| Molded Body Material, Side 2:             | PVC              |
| Molded Body Color, Side 2:                | black            |
| Attachment Material, Side 2:              | CuZn             |

## Approvals

|          |         |
|----------|---------|
| UL-File: | E482233 |
| UL:      | TC-ER   |

## Safety & Environmental Compliance

|                 |     |
|-----------------|-----|
| RoHS Compliant: | Yes |
|-----------------|-----|

## Resistances

|                 |              |
|-----------------|--------------|
| Oil Resistance: | Oil Res I/II |
| UV Resistance:  | Sunlight Res |

## Notes

|                                     |  |
|-------------------------------------|--|
| Protection Degree / IP Rating Note: | ** only if mounted and locked in combination with Hirschmann / Lumberg Automation connector. |
|-------------------------------------|--|

## Variants

| Item #    | Item Description      | Cable Length |
|-----------|-----------------------|--------------|
| 511000050 | RSWP 4-RKP 4-803/0.5M | 0.5 m        |
| 511000051 | RSWP 4-RKP 4-803/1M   | 1 m          |
| 511000052 | RSWP 4-RKP 4-803/1.5M | 1.5 m        |
| 511000053 | RSWP 4-RKP 4-803/2M   | 2 m          |
| 511000054 | RSWP 4-RKP 4-803/2.5M | 2.5 m        |
| 511000055 | RSWP 4-RKP 4-803/3M   | 3 m          |
| 511000056 | RSWP 4-RKP 4-803/4M   | 4 m          |
| 511000057 | RSWP 4-RKP 4-803/5M   | 5 m          |
| 511000058 | RSWP 4-RKP 4-803/6M   | 6 m          |
| 511000059 | RSWP 4-RKP 4-803/8M   | 8 m          |
| 511000060 | RSWP 4-RKP 4-803/10M  | 10 m         |
| 511000061 | RSWP 4-RKP 4-803/12M  | 12 m         |
| 511000062 | RSWP 4-RKP 4-803/14M  | 14 m         |
| 511000063 | RSWP 4-RKP 4-803/15M  | 15 m         |
| 511000064 | RSWP 4-RKP 4-803/18M  | 18 m         |
| 511000065 | RSWP 4-RKP 4-803/20M  | 20 m         |
| 511000066 | RSWP 4-RKP 4-803/22M  | 22 m         |

|           |                      |      |
|-----------|----------------------|------|
| 511000067 | RSWP 4-RKP 4-803/25M | 25 m |
| 511000068 | RSWP 4-RKP 4-803/30M | 30 m |
| 511000069 | RSWP 4-RKP 4-803/35M | 35 m |
| 511000070 | RSWP 4-RKP 4-803/40M | 40 m |
| 511000071 | RSWP 4-RKP 4-803/45M | 45 m |
| 511000072 | RSWP 4-RKP 4-803/50M | 50 m |

© 2020 Belden, Inc

All Rights Reserved.

Although Belden makes every reasonable effort to ensure their accuracy at the time of this publication, information and specifications described here in are subject to error or omission and to change without notice, and the listing of such information and specifications does not ensure product availability.

Belden provides the information and specifications herein on an "ASIS" basis, with no representations or warranties, whether express, statutory or implied. In no event will Belden be liable for any damages (including consequential, indirect, incidental, special, punitive, or exemplary damages) whatsoever, even if Belden has been advised of the possibility of such damages, whether in an action under contract, negligence or any other theory, arising out of or in connection with the use, or inability to use, the information or specifications described herein.

All sales of Belden products are subject to Belden's standard terms and conditions of sale.

Belden believes this product to be in compliance with all applicable environmental programs as listed in the data sheet. The information provided is correct to the best of Belden's knowledge, information and belief at the date of its publication. This information is designed only as a general guide for the safe handling, storage, and any other operation of the product itself or the one that it becomes a part of. The Product Disclosure is not to be considered a warranty or quality specification. Regulatory information is for guidance purposes only. Product users are responsible for determining the applicability of legislation and regulations based on their individual usage of the product.



Компания «ЭлектроПласт» предлагает заключение долгосрочных отношений при поставках импортных электронных компонентов на взаимовыгодных условиях!

Наши преимущества:

- Оперативные поставки широкого спектра электронных компонентов отечественного и импортного производства напрямую от производителей и с крупнейших мировых складов;
- Поставка более 17-ти миллионов наименований электронных компонентов;
- Поставка сложных, дефицитных, либо снятых с производства позиций;
- Оперативные сроки поставки под заказ (от 5 рабочих дней);
- Экспресс доставка в любую точку России;
- Техническая поддержка проекта, помощь в подборе аналогов, поставка прототипов;
- Система менеджмента качества сертифицирована по Международному стандарту ISO 9001;
- Лицензия ФСБ на осуществление работ с использованием сведений, составляющих государственную тайну;
- Поставка специализированных компонентов (Xilinx, Altera, Analog Devices, Intersil, Interpoint, Microsemi, Aeroflex, Peregrine, Syfer, Eurofarad, Texas Instrument, Miteq, Cobham, E2V, MA-COM, Hittite, Mini-Circuits, General Dynamics и др.);

Помимо этого, одним из направлений компании «ЭлектроПласт» является направление «Источники питания». Мы предлагаем Вам помощь Конструкторского отдела:

- Подбор оптимального решения, техническое обоснование при выборе компонента;
- Подбор аналогов;
- Консультации по применению компонента;
- Поставка образцов и прототипов;
- Техническая поддержка проекта;
- Защита от снятия компонента с производства.



#### Как с нами связаться

**Телефон:** 8 (812) 309 58 32 (многоканальный)

**Факс:** 8 (812) 320-02-42

**Электронная почта:** [org@eplast1.ru](mailto:org@eplast1.ru)

**Адрес:** 198099, г. Санкт-Петербург, ул. Калинина, дом 2, корпус 4, литера А.