

## Type 3560 Series

### Key Features

6W@70°C in  
4527 size  
package

Suitable for  
auto  
placement

Available from  
distribution

Terminal finish  
matte sn over  
ni barrier



TE Connectivity is pleased to introduce this thick film high power device, sister to our popular 3522 series, suitable for auto placement in volume and for most applications. Supplied as standard on 7 inch Reels of 1000 pieces per reel.

### Characteristics – Electrical

|  |                         |
|--|-------------------------|
| Power Rating @ 70°C                            | 6W                      |
| Resistance Range                               | 1Ω ~ 10MΩ               |
| Resistance Tolerance                           | ±1%, ±5%                |
| Temperature Coefficient of Resistance<br>(TCR) | 1Ω~10Ω ≤± 200PPM/°C     |
|  | 10.1Ω~10MΩ ≤± 100PPM/°C |
| Max. Working Voltage                           | 300V                    |
| Max. Overload Voltage                          | 600V                    |
| Dielectric Withstanding Voltage                | 600V                    |
| Operating Temperature Range                    | -55°C ~ 155°C           |

Resistors shall have a rated direct-current (DC) continuous working voltage or an approximate sine-wave root-mean-square (RMS) alternating-current (AC) continuous working voltage at commercial line frequency and waveform corresponding to the power rating, as determined from the following formula :

$$RCWV = \sqrt{P \times R}$$

Where the calculated RCWV is greater than the stated Max. Working Voltage, the Max. Working Voltage will apply.

### Power Rating and Derating

Resistors shall have a power rating based on continuous load operation at an ambient temperature of 70 °C . For temperature in excess of 70 °C , The load shall derate as shown in chart below.



### Construction and Dimensions:



| Type | Dimensions (mm) |             |             |             |             |
|------|-----------------|-------------|-------------|-------------|-------------|
|      | L               | W           | H           | ℓ1          | ℓ2          |
| 3560 | 11.6 ± 0.30     | 6.85 ± 0.25 | 1.10 ± 0.10 | 1.00 ± 0.20 | 2.50 ± 0.20 |

## Performance Specification

| Characteristics                 | Limits   | Test Methods<br>( JIS C 5201-1 )  |      |       |      |   |             |     |   |            |        |   |              |     |   |            |        |
|---------------------------------|--|---|------|-------|------|---|-------------|-----|---|------------|--------|---|--------------|-----|---|------------|--------|
| Dielectric Withstanding Voltage | No evidence of flashover, mechanical damage, arcing or insulation break down     | 4.7 Clamped in the trough of a 90°C metallic v-block and shall be tested at ac potential respectively specified in the type for 60-70 seconds   |      |       |      |   |             |     |   |            |        |   |              |     |   |            |        |
| Temperature Coefficient         | 1Ω~10Ω ≤± 200PPM/°C<br>10.1Ω~10MΩ ≤± 100PPM/°C                                   | 4.8 Natural resistance change per temp. degree centigrade.<br>$\frac{R2-R1}{R1(t2-t1)} \times 106 \text{ (PPM/°C)}$<br>R1: Resistance value at room temperature (T1)<br>R2: Resistance value at room temp. plus 100 °C(T2)<br>Test pattern: room temp. (T1), room temp. +100°C(T2)  |      |       |      |   |             |     |   |            |        |   |              |     |   |            |        |
| Short Time Overload             | Resistance change rate is:<br>± 5% (2.0% + 0.1Ω) Max.<br>± 1% (1.0% + 0.1Ω) Max. | 4.13 Permanent resistance change after the application of a potential of 2.5 times RCWV for 5 seconds   |      |       |      |   |             |     |   |            |        |   |              |     |   |            |        |
| Solderability                   | 95 % coverage Min.   | Wave Solder:<br>Test temperature of solder:<br>245°C ±3°C dipping time in solder : 2-3 seconds.<br><br>Reflow<br>  |      |       |      |   |             |     |   |            |        |   |              |     |   |            |        |
| Soldering heat                  | Resistance change rate is:<br>± (1.0%+0.05Ω) Max.                                | 4.18 Dip the resistor into a solder bath having a temperature of 260°C±3°C and hold it for 10±1 seconds.  |      |       |      |   |             |     |   |            |        |   |              |     |   |            |        |
| Temperature Cycling             | Resistance change rate is:<br>± 5% (1.0% + 0.1Ω) Max.<br>± 1% (0.5% + 0.1Ω) Max. | 4.19 Resistance change after continuous 5 cycles for duty cycle specified below: <table border="1"> <thead> <tr> <th>Step</th> <th>Temp.</th> <th>Time</th> </tr> </thead> <tbody> <tr> <td>1</td> <td>-55°C ± 3°C</td> <td>30m</td> </tr> <tr> <td>2</td> <td>Room temp.</td> <td>10~15m</td> </tr> <tr> <td>3</td> <td>+155°C ± 2°C</td> <td>30m</td> </tr> <tr> <td>4</td> <td>Room temp.</td> <td>10~15m</td> </tr> </tbody> </table> | Step | Temp. | Time | 1 | -55°C ± 3°C | 30m | 2 | Room temp. | 10~15m | 3 | +155°C ± 2°C | 30m | 4 | Room temp. | 10~15m |
| Step                            | Temp.  | Time  |      |       |      |   |             |     |   |            |        |   |              |     |   |            |        |
| 1                               | -55°C ± 3°C  | 30m   |      |       |      |   |             |     |   |            |        |   |              |     |   |            |        |
| 2                               | Room temp.   | 10~15m  |      |       |      |   |             |     |   |            |        |   |              |     |   |            |        |
| 3                               | +155°C ± 2°C   | 30m   |      |       |      |   |             |     |   |            |        |   |              |     |   |            |        |
| 4                               | Room temp.   | 10~15m  |      |       |      |   |             |     |   |            |        |   |              |     |   |            |        |
| Humidity                        | Resistance change rate is:<br>± 5% (3.0% + 0.1Ω) Max.<br>± 1% (0.5% + 0.1Ω) Max. | 4.24 Temporary resistance change after 240 hours exposure in a humidity test chamber controlled at 40±2°C and 90-95% relative humidity  |      |       |      |   |             |     |   |            |        |   |              |     |   |            |        |

## Performance Specification (Cont.)

| Characteristics       | Limits   | Test Methods<br>( JIS C 5201-1 )  |
|-----------------------|--|---|
| Load life in humidity | Resistance change rate is:<br>± 5% (3.0% + 0.1Ω) Max.<br>± 1% (1.0% + 0.1Ω) Max. | 7.9 Resistance change after 1,000 hours (1.5 hours "on", 0.5 hour "off" ) at RCWV in a humidity chamber controlled at 40°C ± 2°C and 90 to 95 % relative humidity |
| Load Life             | Resistance change rate is:<br>± 5% (3.0% + 0.1Ω) Max.<br>± 1% (1.0% + 0.1Ω) Max. | 4.25.1 Permanent resistance change after 1,000 hours operating at RCWV, with duty cycle of (1.5 hours "on", 0.5 hour "off") at 70°C ± 2°C ambient                 |
| Terminal bending      | Resistance change rate is:<br>± (1.0% + 0.05Ω) Max.                              | 4.33 Twist of Test Board:<br>Y/X = 3/90 mm for 60 seconds   |

## Marking

A. 4 digit marking for E-96 series:

\*The first 3 digits are significant figures of resistance and the 4th digit denoted number of zeros.

Ex. 

|  |             |  |
|--|-------------|--|
|  | <b>1273</b> |  |
|--|-------------|--|

 127KΩ

\*For ohmic values below 100 Ω, letter "R" is for decimal point.

Ex. 

|  |             |  |
|--|-------------|--|
|  | <b>49R9</b> |  |
|--|-------------|--|

 49.9Ω

B. 3 digit marking for E-24 series:

\*The first 2 digits are significant figures of resistance and the 3rd digit denoted number of zeros

Ex. 

|  |            |  |
|--|------------|--|
|  | <b>124</b> |  |
|--|------------|--|

 120KΩ

\*For ohmic values below 10 Ω, letter "R" is for decimal point

Ex. 

|  |            |  |
|--|------------|--|
|  | <b>4R7</b> |  |
|--|------------|--|

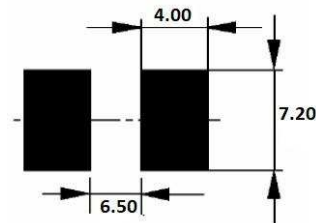
 4.7Ω

## Soldering

PCB Plan (mm)

4 layers PCB specification:

- 1) Outside 2 layers (Top and Bottom) with copper foil thickness at 2oz.
- 2) Inside 2 layers (Middle layers) with copper foil thickness at 4 oz.



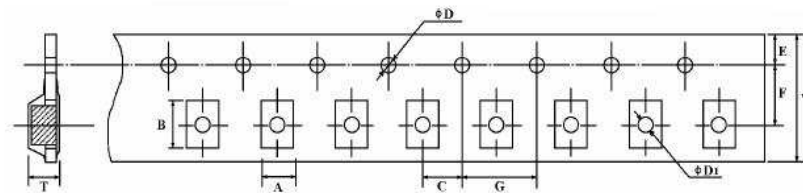
## Soldering

Reflow solder profile



## Packaging

Tape and Reel



(mm)

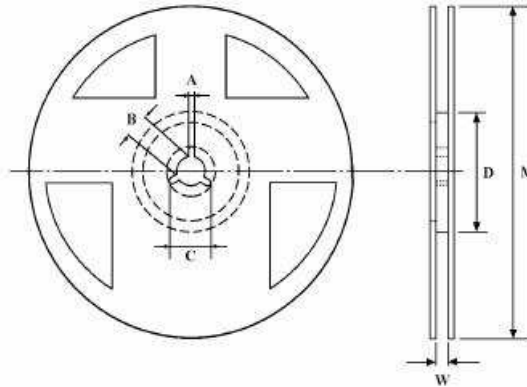
| A ±0.1 | B ±0.1 | C ±0.15 | ØD+0.1<br>-0 | E ±0.1 | F ±0.15 | G ±0.1 | W ±0.3 | ØD1<br>±0.1 | T ± 0.1 |
|--------|--------|---------|--------------|--------|---------|--------|--------|-------------|---------|
| 7.20   | 11.9   | 2.0     | 1.5          | 1.75   | 11.5    | 4.0    | 24     | -           | 1.35    |

### Peeling Strength of Top Cover Tape

Test Condition: 0.1 to 0.7 N at a peel-off speed of 300 mm / min.



## Reel Dimensions



| Qty Reel | A±0.5 | B±0.5 | C±0.5 | D±1  | M±2 | W±1  |
|----------|-------|-------|-------|------|-----|------|
| 1000     | 2.0   | 13.0  | 21    | 60.0 | 178 | 25.5 |

## Environment Related Substance

This product complies to EU RoHS directive, EU PAHs directive, EU PFOS directive and Halogen free.

## Storage Condition

The performance of these products, including the solderability, is guaranteed for a year from the date of arrival at your company, provided that they remain packed as they were when delivered and stored at a temperature of  $25^{\circ}\text{C} \pm 10^{\circ}\text{C}$  and a relative humidity of  $60\%\text{RH} \pm 10\%\text{RH}$ , chemical and dust free atmosphere.

Even within the above guarantee periods, do not store these products in the following conditions:

1. In salty air or in air with a high concentration of corrosive gas, such as  $\text{Cl}_2$ ,  $\text{H}_2\text{S}$ ,  $\text{NH}_3$ ,  $\text{SO}_2$ , or  $\text{NO}_2$
2. In direct sunlight

## How To Order

| 3560                    | 1R0  | F                | T                |
|-------------------------|--|------------------|------------------|
| Common Part             | Resistance Value   | Tolerance        | Pack Style       |
| 3560 – 5W 4527 Resistor | 1 $\Omega$ - 1R0<br>100 $\Omega$ - 100R<br>1K $\Omega$ - 1K0 | F – 1%<br>J – 5% | T- 1000 per reel |



Компания «ЭлектроПласт» предлагает заключение долгосрочных отношений при поставках импортных электронных компонентов на взаимовыгодных условиях!

Наши преимущества:

- Оперативные поставки широкого спектра электронных компонентов отечественного и импортного производства напрямую от производителей и с крупнейших мировых складов;
- Поставка более 17-ти миллионов наименований электронных компонентов;
- Поставка сложных, дефицитных, либо снятых с производства позиций;
- Оперативные сроки поставки под заказ (от 5 рабочих дней);
- Экспресс доставка в любую точку России;
- Техническая поддержка проекта, помощь в подборе аналогов, поставка прототипов;
- Система менеджмента качества сертифицирована по Международному стандарту ISO 9001;
- Лицензия ФСБ на осуществление работ с использованием сведений, составляющих государственную тайну;
- Поставка специализированных компонентов (Xilinx, Altera, Analog Devices, Intersil, Interpoint, Microsemi, Aeroflex, Peregrine, Syfer, Eurofarad, Texas Instrument, Miteq, Cobham, E2V, MA-COM, Hittite, Mini-Circuits, General Dynamics и др.);

Помимо этого, одним из направлений компании «ЭлектроПласт» является направление «Источники питания». Мы предлагаем Вам помощь Конструкторского отдела:

- Подбор оптимального решения, техническое обоснование при выборе компонента;
- Подбор аналогов;
- Консультации по применению компонента;
- Поставка образцов и прототипов;
- Техническая поддержка проекта;
- Защита от снятия компонента с производства.



#### Как с нами связаться

**Телефон:** 8 (812) 309 58 32 (многоканальный)

**Факс:** 8 (812) 320-02-42

**Электронная почта:** [org@eplast1.ru](mailto:org@eplast1.ru)

**Адрес:** 198099, г. Санкт-Петербург, ул. Калинина, дом 2, корпус 4, литера А.