



# TIME SLOT INTERCHANGE DIGITAL SWITCH 256 x 256

IDT728980

## FEATURES:

- 256 x 256 channel non-blocking switch
- Serial Telecom Bus Compatible (ST-BUS®)
- 8 RX inputs—32 channels at 64 Kbit/s per serial line
- 8 TX output—32 channels at 64 Kbit/s per serial line
- Three-state serial outputs
- Microprocessor Interface (8-bit data bus)
- 5V Power Supply
- Available in 44-pin Plastic Leaded Chip Carrier (PLCC)
- Operating Temperature Range -40°C to +85°C

## DESCRIPTION:

The IDT728980 is a ST-BUS® compatible digital switch controlled by a microprocessor. The IDT728980 can handle as many as 256, 64 Kbit/s input

and output channels. Those 256 channels are divided into 8 serial inputs and outputs, each of which consists of 32 channels (64 Kbit/s per channel) to form a multiplexed 2.048 Mb/s stream.

## FUNCTIONAL DESCRIPTION

A functional block diagram of the IDT728980 device is shown on below. The serial ST-BUS® streams operate continuously at 2.048 Mb/s and are arranged in 125µs wide frames each containing 32, 8-bit channels. Eight input (RX0-7) and eight output (TX0-7) serial streams are provided in the IDT728980 device allowing a complete 256 x 256 channel non-blocking switch matrix to be constructed. The serial interface clock ( $\overline{C4i}$ ) for the device is 4.096 MHz.

The received serial data is internally converted to a parallel format by the on chip serial-to-parallel converters and stored sequentially in a 256-position Data Memory. By using an internal counter that is reset by the input 8 KHz frame pulse,  $\overline{F0i}$ , the incoming serial data streams can be framed and sequentially addressed.

## FUNCTIONAL BLOCK DIAGRAM



## PIN CONFIGURATION



NOTE:  
1. DNC - Do Not Connect.

PLCC: 0.05in. pitch, 0.65in. x 0.65in.  
(J44, order code: J)  
TOP VIEW

## PIN DESCRIPTIONS

| SYMBOL           | NAME                                    | I/O | DESCRIPTION  |
|------------------|---|-----|--|
| GND              | Ground.                                 |     | Ground Rail.   |
| VCC              | VCC                                     |     | +5.0 Volt Power Supply.  |
| $\overline{DTA}$ | Data Acknowledgment (Open Drain)        | O   | This active LOW output indicates that a data bus transfer is complete. A pull-up resistor is required at this output.  |
| RX0-7            | RX Input 0 to 7                         | I   | Serial data input streams. These streams have 32 channels at data rates of 2.048 Mb/s.   |
| $\overline{FOi}$ | Frame Pulse                             | I   | This input identifies frame synchronization signals formatted to ST-BUS <sup>®</sup> specifications.   |
| $\overline{C4i}$ | Clock                                   | I   | 4.096 MHz serial clock for shifting data in and out of the data streams.   |
| A0-A5            | Address 0 to 5                          | I   | These lines provide the address to IDT728980 internal registers.   |
| DS               | Data Strobe                             | I   | This is the input for the active HIGH data strobe on the microprocessor interface. This input operates with $\overline{CS}$ to enable the internal read and write generation.                  |
| $\overline{R/W}$ | Read/Write                              | I   | This input controls the direction of the data bus lines (D0-D7) during a microprocessor access.  |
| $\overline{CS}$  | Chip Select                             | I   | Active LOW input enabling a microprocessor read or write of control register or internal memories.   |
| D0-D7            | Data Bus 0 to 7                         | I/O | These pins provide microprocessor access to data in the internal control register. Connection Memory HIGH, Connection Memory LOW and data memory.  |
| TX0-7            | TX Outputs 0 to 7 (Three-state Outputs) | O   | Serial data output streams. These streams are composed of 32, 64 Kbit/s channels at data rates of 2.048 Mb/s.  |
| ODE              | Output Drive Enable                     | I   | This is an output enable for the TX0-7 serial outputs. If this input is LOW, TX0-7 are high-impedance. If this is HIGH, each channel may still be put into high-impedance by software control. |
| CCO              | Control Channel Output                  | O   | This output is a 2.048 Mb/s line which contains 256 bits per frame. The level of each bit is controlled by the contents of the CCO bit in the Connection Memory HIGH locations.                |

## FUNCTIONAL DESCRIPTION (Cont'd)

Data to be output on the serial streams may come from two sources: Data Memory or Connection Memory. The Connection Memory is 16 bits wide and is split into two 8-bit blocks—Connection Memory HIGH and Connection Memory LOW. Each location in Connection Memory is associated with a particular channel in the output stream so as to provide a one-to-one correspondence between the two memories. This correspondence allows for per channel control for each TX output stream. In Processor Mode, data output on the TX stream is taken from the Connect Memory Low and originates from the microprocessor (Figure 2). Where as in Connection Mode (Figure 1), data is read from Data Memory using the address in Connection Memory. Data destined for a particular channel on the serial output stream is read during the previous channel time slot to allow time for memory access and internal parallel-to-serial conversion.

### CONNECTION MODE

In Connection Mode, the addresses of input source for all output channels are stored in the Connect Memory Low. The Connect Memory Low locations are mapped to corresponding 8-bit x 32-channel output. The contents of the Data Memory at the selected address are then transferred to the parallel-to-serial converters. By having the output channel to specify the input channel through the connect memory, input channels can be broadcast to several output channels.

### PROCESSOR MODE

In Processor Mode the CPU writes data to specific Connect Memory Low locations which are to be output on the TX streams. The contents of the Connect Memory Low are transferred to the parallel-to-serial converter one channel before it is to be output and are transmitted each frame to the output until it is changed by the CPU.

### CONTROL

The Connect Memory High bits (Table 4) control the per-channel functions available in the IDT728980. Output channels are selected into specific modes such as: Processor Mode or Connection mode and Output Drivers Enabled or in three-state condition. There is also one bit to control the state of the CCO output pin.

### OUTPUT DRIVE ENABLE (ODE)

The ODE pin is the master output control pin. If the ODE input is held LOW all TDM outputs will be placed in high impedance regardless Connect Memory High (CMH) locations were set to HIGH, regardless of the actual value. If PE is HIGH, then the IDT728980 behaves as if bits 2 (Channel Source) and 0 (Output Enable) of every Connect Memory High control the output state on a per-channel basis.

### DELAY THROUGH THE IDT728980

The transfer of information from the input serial streams to the output serial streams results in a delay through the device. The delay through the IDT728980

device varies according to the combination of input and output streams and the movement within the stream from channel to channel. Data received on an input stream must first be stored in Data Memory before it is sent out.

As information enters the IDT728980 it must first pass through an internal serial-to-parallel converter. Likewise, before data leaves the device, it must pass through the internal parallel-to-serial converter. This data preparation has an effect on the channel positioning in the frame immediately following the incoming frame—mainly, data cannot leave in the same time slot, or in the time slot immediately following. Therefore, information that is to be output in the same channel position as the information is input, relative to the frame pulse, will be output in the following frame. As well, information switched to the channel immediately following the input channel will not be output in the time slot immediately following, but in the next timeslot allocated to the output channel, one frame later.

Whether information can be output during a following timeslot after the information entered the IDT728980 depends on which RX stream the channel information enters on and which TX stream the information leaves on. This is caused by the order in which input stream information is placed into Data Memory and the order in which stream information is queued for output. Table 1 shows the allowable input/output stream combinations for the minimum 2 channel delay.

## SOFTWARE CONTROL

If the A5 address line input is LOW then the IDT728980 Internal Control Register is addressed. If A5 input line is high, then the remaining address input lines are used to select the 32 possible channels per input or output stream. The address input lines and the Stream Address bits (STA) of the Control register give the user the capability of selecting all positions of IDT728980 Data and Connection memories. The IDT728980 memory mapping is illustrated in Table 2 and Figure 3.

The data in the control register (Table 3) consists of Memory Select and Stream Address bits, Split Memory and Processor Mode bits. In Split Memory mode (Bit 7 of the Control register) reads are from the Data Memory and writes are to the Connect Memory as specified by the Memory Select Bits (Bits 4 and 3 of the Control Register). The Memory Select bits allow the Connect Memory High or LOW or the Data Memory to be chosen, and the Stream Address bits define internal memory subsections corresponding to input or output streams.

The Processor Enable bit (bit 6) places EVERY output channel on every output stream in Processor Mode; i.e., the contents of the Connect Memory LOW (CML, see Table 5) are output on the TX output streams once every frame unless the ODE input pin is LOW. If PE bit is HIGH, then the IDT728980 behaves as if bits 2 (Channel Source) and 0 (Output Enable) of every Connect Memory High (CMH) locations were set to HIGH, regardless of the actual value. If PE is LOW, then bit 2 and 0 of each Connect Memory High location operates normally. In this case, if bit 2 of the CMH is HIGH, the associated TX output channel is in Processor Mode. If bit 2 of the CMH is LOW, then the contents of the CML define the source information (stream and channel) of the time slot that is to be switched to an output.

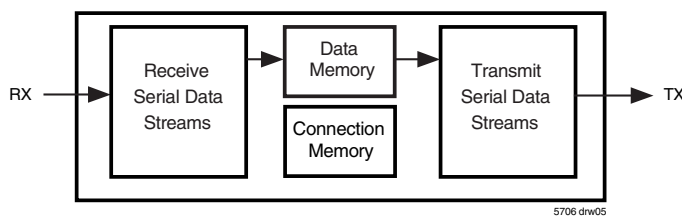


Figure 1. Connection Mode

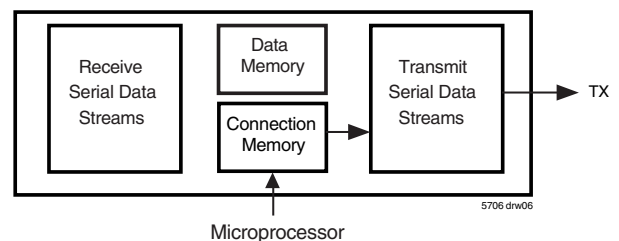


Figure 2. Processor Mode

If the ODE input pin is LOW, then all the serial outputs are high-impedance. If ODE is HIGH, then bit 0 (Output Enable) of the CMH location enables (if HIGH) or disables (if LOW) the output stream and channel.

The contents of bit 1 (CCO) of each Connection Memory High Location (see Table 4) is output on CCO pin once every frame. The CCO pin is a 2.048 Mb/s output, which carries 256 bits. If CCO bit is set HIGH, the corresponding bit on CCO output is transmitted HIGH. If CCO is LOW, the corresponding bit on the CCO output is transmitted in LOW. The contents of the 256 CCO bits of the CMH are transmitted sequentially on to the CCO output pin and are synchronous to the TX streams. To allow for delay in any external control circuitry the contents of the CCO bit is output one channel before the corresponding channel on the TX streams. For example, the contents of CCO bit in position 0 (corresponding to TX0, CH0) is transmitted synchronously with the TX channel 31, bit 7. Bit 1's of CMH for channel 1 of stream 0-7 are output synchronously with TX channel 0 bits 7-0.

**INITIALIZATION OF THE IDT728980**

On initialization or power up, the contents of the Connection Memory High can be in any state. This is a potentially hazardous condition when multiple TX outputs are tied together to form matrices. The ODE pin should be held low on power up to keep all outputs in the high impedance condition until the contents of the CMH are programmed.

During the microprocessor initialization routine, the microprocessor should program the desired active paths through the matrices, and put all other channels into the high impedance state. Care should be taken that no two connected TX outputs drive the bus simultaneously. With the CMH setup, the microprocessor controlling the matrices can bring the ODE signal high to relinquish high impedance state control to the Connection Memory High bits outputs.

| Input | Output Stream |
|-------|---------------|
| 0     | 1,2,3,4,5,6,7 |
| 1     | 3,4,5,6,7     |
| 2     | 5,6,7         |
| 3     | 7             |
| 4     | 1,2,3,4,5,6,7 |
| 5     | 3,4,5,6,7     |
| 6     | 5,6,7         |
| 7     | 7             |

Table 1. Input Stream to Output Stream Combinations that can Provide the Minimum 2-Channel Delay

| A5 | A4 | A3 | A2 | A1 | A0 | HEX ADDRESS | LOCATION                        |
|----|----|----|----|----|----|-------------|---------------------------------|
| 0  | X  | X  | X  | X  | X  | 00-1F       | Control Register <sup>(1)</sup> |
| 1  | 0  | 0  | 0  | 0  | 0  | 20          | Channel 0 <sup>(2)</sup>        |
| 1  | 0  | 0  | 0  | 0  | 1  | 21          | Channel 1 <sup>(2)</sup>        |
| .  | .  | .  | .  | .  | .  | .           | .                               |
| .  | .  | .  | .  | .  | .  | .           | .                               |
| .  | .  | .  | .  | .  | .  | .           | .                               |
| 1  | 1  | 1  | 1  | 1  | 1  | 3F          | Channel 31 <sup>(2)</sup>       |

**NOTES:**

1. Writing to the Control Register is the only fast transaction.
2. Memory and stream are specified by the contents of the Control Register.

Table 2. Address Mapping



Figure 3. Address Mapping

5706 drw07

|     |                              | Mode Control  |          |      | Memory Select |      |      | Stream Address Bits |   |
|-----|------------------------------|---|----------|------|---------------|------|------|---------------------|---|
|     |                              | Bits  | (unused) | Bits | Bits          | Bits | Bits | Bits                |   |
|     |                              | 7   | 6        | 5    | 4             | 3    | 2    | 1                   | 0 |
| Bit | Name                         | Description   |          |      |               |      |      |                     |   |
| 7   | SM (Split Memory)            | When 1, all subsequent reads are from the Data Memory and writes are to the Connection Memory LOW, except when the Control Register is accessed again. When 0, the Memory Select bits specify the memory for the operations. In either case, the Stream Address Bits select the subsection of the memory which is made available. |          |      |               |      |      |                     |   |
| 6   | PE (Processor Mode)          | When 1, the contents of the Connection Memory LOW are output on the Serial Output streams except when the ODE pin is LOW. When 0, the Connection Memory bits for each channel determine what is output.   |          |      |               |      |      |                     |   |
| 5   |                              | unused  |          |      |               |      |      |                     |   |
| 4-3 | MS1-MS0 (Memory Select Bits) | 0-0 - Not to be used.<br>0-1 - Data Memory (read only from the microprocessor port)<br>1-0 - Connection Memory LOW<br>1-1 - Connection Memory is HIGH   |          |      |               |      |      |                     |   |
| 2-0 | STA2-0 (Stream Address Bits) | The number expressed in binary notation on these bits refers to the input or output stream which corresponds to the subsection of memory made accessible for subsequent operations.   |          |      |               |      |      |                     |   |

Table 3. Control Register Configuration

|     |                     | No Corresponding Memory   |   |   |   |   | Per Channel Control Bits |      |      |
|-----|---------------------|---|---|---|---|---|--------------------------|------|------|
|     |                     | - These bits give 0s if read  |   |   |   |   | Bits                     | Bits | Bits |
|     |                     | 7   | 6 | 5 | 4 | 3 | 2                        | 1    | 0    |
| Bit | Name                | Description   |   |   |   |   |                          |      |      |
| 2   | CS (Channel Source) | When 1, the contents of the corresponding location in Connection Memory LOW are output on the location's channel and stream. When 0, the contents of the corresponding location in Connection Memory LOW act as an address for the Data Memory and determine the source of the connection to the location's channel and stream. |   |   |   |   |                          |      |      |
| 1   | CCO (CCO Bit)       | This bit is output on the CCO pin one channel early. The CCO bit for stream 0 is output first.  |   |   |   |   |                          |      |      |
| 0   | OE (Output Enable)  | If the ODE pin is HIGH and bit 6 of the Control Register is 0, then this bit enables the output drive for the location's channel and stream. This allows individuals channels on individuals streams to be made high-impedance, allowing switching matrices to be constructed. A 1 enables the driver and a 0 disables it.      |   |   |   |   |                          |      |      |

Table 4. Connection Memory High Register

|                    |                      | Stream Address Bits   |   |   | Channel Address Bits |   |   |   |   |
|--------------------|----------------------|---|---|---|----------------------|---|---|---|---|
|                    |                      | 7   | 6 | 5 | 4                    | 3 | 2 | 1 | 0 |
| Bit                | Name                 | Description   |   |   |                      |   |   |   |   |
| 7-5 <sup>(1)</sup> | Stream Address Bits  | The number expressed in binary notation on these 3 bits are the number of the stream for the source of the connection. Bit 7 is the most significant bit, e.g., if bit 7 is 1, bit 6 is 0 and bit 5 is 0 then the source of the connection is a channel on RX4.   |   |   |                      |   |   |   |   |
| 4-0 <sup>(1)</sup> | Channel Address Bits | The number expressed in binary notation on these 5 bits is the number of the channel which is the source of the connection (the stream where the channel lies is defined by bits 7, 6 and 5). Bit 4 is the most significant bit, e.g., if bit 4 is 1, bit 3 is 0, bit 2 is 0, bit 1 is 1 and bit 0 is 1, then the source of the connection is channel 19. |   |   |                      |   |   |   |   |

NOTE:  
1. If bit 2 of the corresponding Connection HIGH location is 1 or bit 6 of the Control Register is 1, then these entire 8 bits are output on the channel and stream associated with this location. Otherwise, the bits are used as indicated to define the source of the connection which is output on the channel and stream associated with this location.

Table 5. Connection Memory Low Register

## ABSOLUTE MAXIMUM RATINGS <sup>(1)</sup>

| Symbol         | Parameter                  | Min.      | Max.                  | Unit |
|----------------|----------------------------|-----------|-----------------------|------|
|                | V <sub>CC</sub> - GND      | -0.3      | 7                     | V    |
| V <sub>I</sub> | Voltage on Digital Inputs  | GND - 0.3 | V <sub>CC</sub> + 0.3 | V    |
| V <sub>O</sub> | Voltage on Digital Outputs | GND - 0.3 | V <sub>CC</sub> + 0.3 | V    |
| I <sub>O</sub> | Current at Digital Outputs |           | 40                    | mA   |
| T <sub>S</sub> | Storage Temperature        | -65       | +150                  | °C   |
| P <sub>D</sub> | Package Power Dissipation  |           | 2                     | W    |

**NOTE:**

1. Exceeding these values may cause permanent damage. Functional operation under these conditions is not implied.

## RECOMMENDED OPERATING CONDITIONS

| Symbol          | Parameter                        | Min. | Typ. <sup>(1)</sup> | Max.            | Unit |
|-----------------|----------------------------------|------|---------------------|-----------------|------|
| V <sub>CC</sub> | Positive Supply                  | 4.75 | —                   | 5.25            | V    |
| V <sub>I</sub>  | Input Voltage                    | 0    | —                   | V <sub>CC</sub> | V    |
| TOP             | Operating Temperature Commercial | -40  | —                   | +85             | °C   |

**NOTE:**

1. Typical figures are at 25°C and are for design aid only; not guaranteed and not subject to production testing.

## DC ELECTRICAL CHARACTERISTICS

| Symbol          | Parameter              | Min. | Typ. <sup>(1)</sup> | Max. | Units | Test Conditions                                |
|-----------------|------------------------|------|---------------------|------|-------|--|
| I <sub>CC</sub> | Supply Current         | —    | 7                   | 10   | mA    | Outputs Unloaded                               |
| V <sub>IH</sub> | Input High Voltage     | 2.0  | —                   | —    | V     |  |
| V <sub>IL</sub> | Input Low Voltage      | —    | —                   | 0.8  | V     |  |
| I <sub>IL</sub> | Input Leakage          | —    | —                   | 5    | μA    | V <sub>I</sub> between GND and V <sub>CC</sub> |
| C <sub>I</sub>  | Input Capacitance      | —    | 8                   | —    | pF    |  |
| V <sub>OH</sub> | Output High Voltage    | 2.4  | —                   | —    | V     | I <sub>OH</sub> = 10mA                         |
| I <sub>OH</sub> | Output High Current    | 10   | 15                  | —    | mA    | Sourcing, V <sub>OH</sub> = 2.4V               |
| V <sub>OL</sub> | Output Low Voltage     | —    | —                   | 0.4  | V     | I <sub>OL</sub> = 5mA                          |
| I <sub>OL</sub> | Output Low Current     | 5    | 10                  | —    | mA    | Sinking, V <sub>OL</sub> = 0.4V                |
| I <sub>OZ</sub> | High Impedance Leakage | —    | —                   | 5    | μA    | V <sub>O</sub> between GND and V <sub>CC</sub> |
| C <sub>O</sub>  | Output Pin Capacitance | —    | 8                   | —    | pF    |  |

**NOTE:**

1. Typical figures are at 25°C and are for design aid only; not guaranteed and not subject to production testing.



S1 is open circuit except when testing output levels or high impedance states.

S2 is switched to V<sub>CC</sub> or GND when testing output levels or high impedance states.

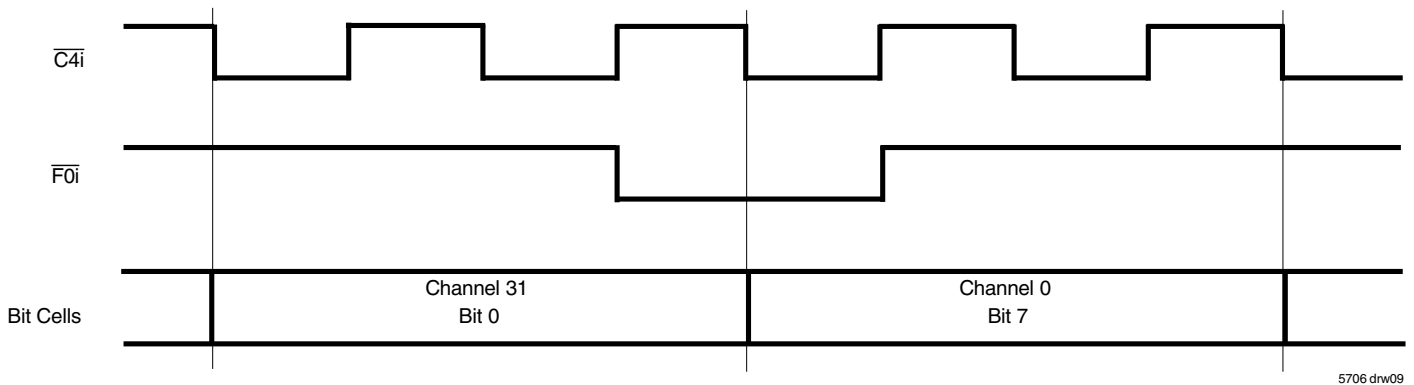
Figure 4. Output Load

### AC ELECTRICAL CHARACTERISTICS <sup>(1)</sup>—CLOCK TIMING

| Symbol           | Characteristics             | Min.  | Typ. <sup>(2)</sup> | Max. | Unit |
|------------------|-----------------------------|-------|---------------------|------|------|
| t <sub>CLK</sub> | Clock Period <sup>(3)</sup> | 220   | 244                 | 300  | ns   |
| t <sub>CH</sub>  | Clock Width High            | 95    | 122                 | 150  | ns   |
| t <sub>CL</sub>  | Clock Width Low             | 110   | 122                 | 150  | ns   |
| t <sub>CTT</sub> | Clock Transition Time       | —     | 20                  | —    | ns   |
| t <sub>FPS</sub> | Frame Pulse Setup Time      | 20    | —                   | 200  | ns   |
| t <sub>FPH</sub> | Frame Pulse Hold Time       | 0.020 | —                   | 50   | μs   |
| t <sub>FPW</sub> | Frame Pulse Width           | —     | 244                 | —    | ns   |

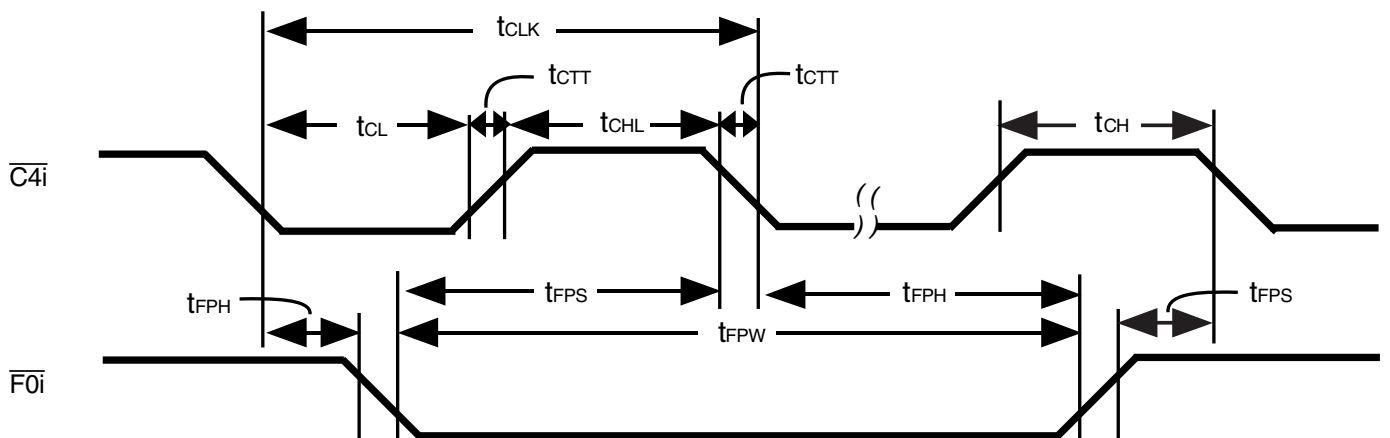
**NOTE:**

1. Timing is over recommended temperature and power supply voltages.
2. Typical figures are at 25°C and are for design aid only; not guaranteed and not subject to production testing.
3. Contents of Connection Memory are not lost if the clock stops, however, TX outputs go into the high impedance state.



5706 drw09

Figure 5. Frame Alignment



5706 drw10

Figure 6. Clock Timing

### AC ELECTRICAL CHARACTERISTICS <sup>(1)</sup>— SERIAL STREAM TIMING

| Symbol | Characteristics                | Min. | Typ. <sup>(2)</sup> | Max. | Unit | Test Conditions                        |
|--------|--------------------------------|------|---------------------|------|------|--|
| tTAZ   | TX0-7 Delay - Active to High Z | 20   | 30                  | 60   | ns   | $R_L = 1K\Omega^{(3)}$ , $C_L = 150pF$ |
| tTZA   | TX0-7 Delay - High Z to Active | 25   | 45                  | 70   | ns   | $C_L = 150pF$                          |
| tTAA   | TX0-7 Delay - Active to Active | 30   | 45                  | 70   | ns   | $C_L = 150pF$                          |
| tTOH   | TX0-7 Hold Time                | 25   | 45                  | —    | ns   | $C_L = 150pF$                          |
| tOED   | Output Driver Enable Delay     | —    | 40                  | 70   | ns   | $R_L = 1K\Omega^{(3)}$ , $C_L = 150pF$ |
| tXCH   | External Control Hold Time     | 0    | 10                  | —    | ns   | $C_L = 150pF$                          |
| tXCD   | External Control Delay         | —    | 20                  | 40   | ns   | $C_L = 150pF$                          |
| tSIS   | Serial Input Setup Time        | —    | -40                 | -20  | ns   |  |
| tSIH   | Serial Input Hold Time         | 90   | —                   | —    | ns   |  |

**NOTE:**

1. Timing is over recommended temperature and power supply voltages.
2. Typical figures are at 25°C and are for design aid only; not guaranteed and not subject to production testing.
3. High Impedance is measured by pulling to the appropriate rail with  $R_L$ , with timing corrected to cancel time taken to discharge  $C_L$ .



Figure 7. Serial Outputs and External Control

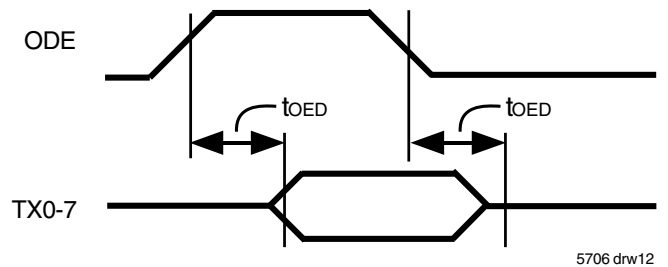


Figure 8. Output Driver Enable

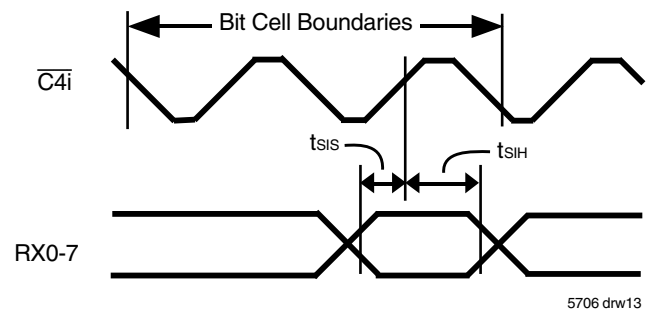


Figure 9. Serial Inputs

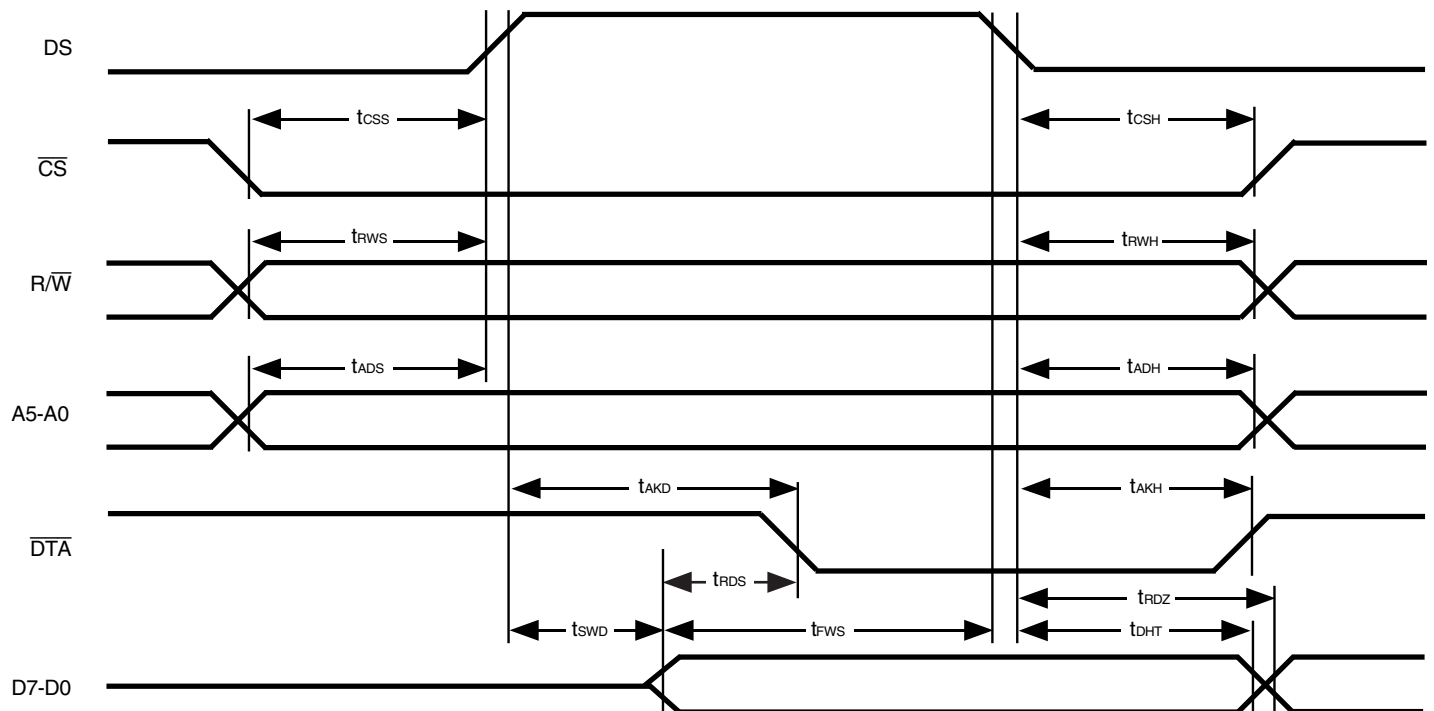


### AC ELECTRICAL CHARACTERISTICS <sup>(1)</sup>— PROCESSOR BUS

| Symbol           | Characteristics             | Min. | Typ. <sup>(2)</sup> | Max. | Unit   | Test Conditions  |
|------------------|-----------------------------|------|---------------------|------|--------|--|
| t <sub>CSS</sub> | Chip Select Setup Time      | 10   | 0                   | —    | ns     |  |
| t <sub>RWS</sub> | Read/Write Setup Time       | 10   | —                   | —    | ns     |  |
| t <sub>ADS</sub> | Address Setup Time          | 10   | —                   | —    | ns     |  |
| t <sub>AKD</sub> | Acknowledgment Delay Fast   | —    | 30                  | 60   | ns     | C <sub>L</sub> = 150pF   |
| t <sub>AKD</sub> | Acknowledgment Delay Slow   | 2.7  | —                   | 7.2  | cycles | $\overline{C4i}$ cycles <sup>(4)</sup>                               |
| t <sub>FWS</sub> | Fast Write Data Setup Time  | 20   | —                   | —    | ns     |  |
| t <sub>SWD</sub> | Slow Write Data Delay       | —    | 2.0                 | 1.7  | cycles | $\overline{C4i}$ cycles  |
| t <sub>RDS</sub> | Read Data Setup Time        | —    | —                   | 0.5  | cycles | $\overline{C4i}$ cycles, C <sub>L</sub> = 150pF                      |
| t <sub>DHT</sub> | Data Hold Time Read         | 20   | —                   | —    | ns     | R <sub>L</sub> = 1K $\Omega$ <sup>(3)</sup> , C <sub>L</sub> = 150pF |
| t <sub>DHT</sub> | Data Hold Time Write        | 20   | 10                  | —    | ns     |  |
| t <sub>RDZ</sub> | Read Data to High Impedance | —    | 30                  | 60   | ns     | R <sub>L</sub> = 1K $\Omega$ <sup>(3)</sup> , C <sub>L</sub> = 150pF |
| t <sub>CSH</sub> | Chip Select Hold Time       | 0    | —                   | —    | ns     |  |
| t <sub>RWH</sub> | Read/Write Hold Time        | 0    | —                   | —    | ns     |  |
| t <sub>ADH</sub> | Address Hold Time           | 0    | —                   | —    | ns     |  |
| t <sub>AKH</sub> | Acknowledgment Hold Time    | 10   | 20                  | 40   | ns     | R <sub>L</sub> = 1K $\Omega$ <sup>(3)</sup> , C <sub>L</sub> = 150pF |

**NOTE:**

1. Timing is over recommended temperature and power supply voltages.
2. Typical figures are at 25°C and are for design aid only; not guaranteed and not subject to production testing.
3. High Impedance is measured by pulling to the appropriate rail with R<sub>L</sub>, with timing corrected to cancel time taken to discharge C<sub>L</sub>.
4. Processor accesses are dependent on the  $\overline{C4i}$  clock, and so some things are expressed as multiples of the  $\overline{C4i}$ .



5706 drw14

Figure 10. Processor Bus

## ORDERING INFORMATION



5610 drw25

## DATASHEET DOCUMENT HISTORY

05/23/2000 pgs. 1, 2, and 10.  
 08/18/2000 pgs. 1, 2, and 10.  
 01/24/2001 pgs. 1 and 6.  
 03/13/2017 pgs. 1, 2, and 10.



**CORPORATE HEADQUARTERS**  
 6024 Silver Creek Valley Road  
 San Jose, CA 95138

**for SALES:**  
 800-345-7015 or 408-284-8200  
 fax: 408-284-2775  
 www.idt.com

**for Tech Support:**  
 408-360-1753  
 email: FIFOhelp@idt.com



Компания «ЭлектроПласт» предлагает заключение долгосрочных отношений при поставках импортных электронных компонентов на взаимовыгодных условиях!

Наши преимущества:

- Оперативные поставки широкого спектра электронных компонентов отечественного и импортного производства напрямую от производителей и с крупнейших мировых складов;
- Поставка более 17-ти миллионов наименований электронных компонентов;
- Поставка сложных, дефицитных, либо снятых с производства позиций;
- Оперативные сроки поставки под заказ (от 5 рабочих дней);
- Экспресс доставка в любую точку России;
- Техническая поддержка проекта, помощь в подборе аналогов, поставка прототипов;
- Система менеджмента качества сертифицирована по Международному стандарту ISO 9001;
- Лицензия ФСБ на осуществление работ с использованием сведений, составляющих государственную тайну;
- Поставка специализированных компонентов (Xilinx, Altera, Analog Devices, Intersil, Interpoint, Microsemi, Aeroflex, Peregrine, Syfer, Eurofarad, Texas Instrument, Miteq, Cobham, E2V, MA-COM, Hittite, Mini-Circuits, General Dynamics и др.);

Помимо этого, одним из направлений компании «ЭлектроПласт» является направление «Источники питания». Мы предлагаем Вам помощь Конструкторского отдела:

- Подбор оптимального решения, техническое обоснование при выборе компонента;
- Подбор аналогов;
- Консультации по применению компонента;
- Поставка образцов и прототипов;
- Техническая поддержка проекта;
- Защита от снятия компонента с производства.



#### Как с нами связаться

**Телефон:** 8 (812) 309 58 32 (многоканальный)

**Факс:** 8 (812) 320-02-42

**Электронная почта:** [org@eplast1.ru](mailto:org@eplast1.ru)

**Адрес:** 198099, г. Санкт-Петербург, ул. Калинина, дом 2, корпус 4, литера А.