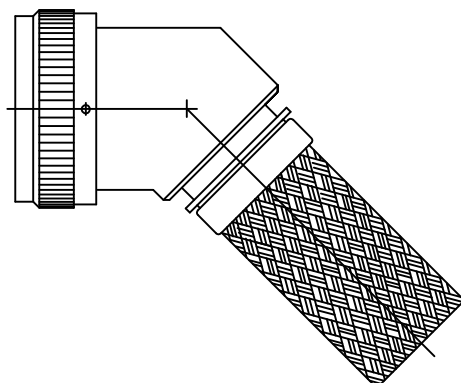


REVISIONS			
LTR	DESCRIPTION	DATE	APPROVED
N	REVISED PER ECN AD93076		
N1	REVISED PER ECO-12-011624	6/21/12	K. YEE



CODE 54 45°, SHIELDED ADAPTER


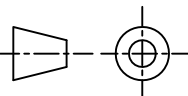
NOTES:

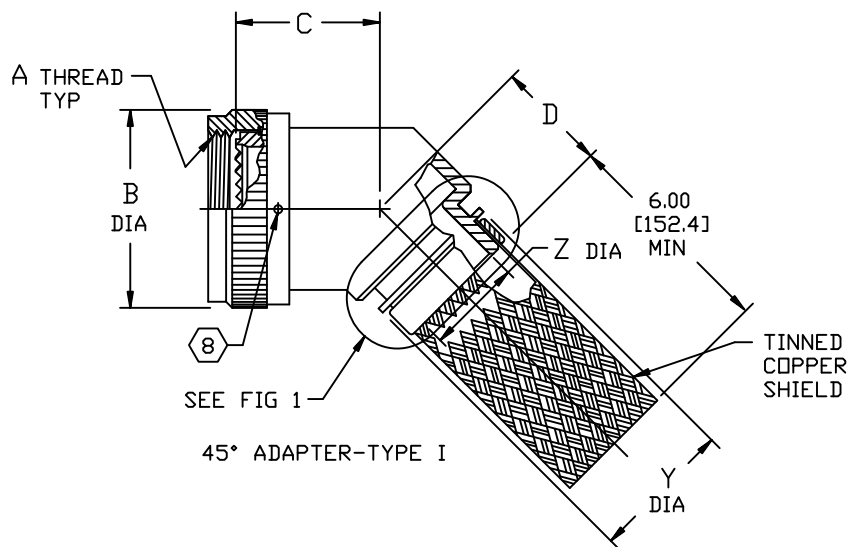
1. THIS PRODUCT IS DESIGNED TO TERMINATE A HEAT SHRINKABLE LIPPED BOOT TO A CONNECTOR.
2. FOR ADDITIONAL DIMENSIONS, ORDERING INFORMATION AND MODIFICATIONS, SEE CH00-0250-004.
3. ADAPTER TO BE PERMANENTLY MARKED WITH CODE IDENT. NO. AND PART NO. (E.G.: 06090-203M112-19A08).
- ④ FOR LARGER ENTRY SIZES, A 2 PIECE ADAPTER (TYPE II) IS SUPPLIED.
- ⑤ BRAID TERMINATION RING MAY BE SUPPLIED AS TINEL-LOCK SHAPE MEMORY RING AT MANUFACTURER'S OPTION.
- ⑥ ADAPTER MATES TO MIL-C-81703, SERIES III, MS3424, MS3446, MS3464, MS3467, MS3468, CLASS E & L.
- ⑦ ADAPTER MATES TO MIL-C-5015G, MS3400 SERIES, CLASS D, E, K, L, U & W: MS3400, MS3401, MS3404, MS3406, MS3450, MS3451, MS3454, MS3456, MS3470, MS3471, MS3472, MS3474, MS3475, MS3476. MIL-C-83723, SERIES II, CLASS A & L. MIL-C-83723, SERIES I & III, CLASS A, G, K, R & S: M83723/1, /2, /3, /4, /5, /6, /7, /8, /13, /14, /36, /37, /38, /40, /41, /42, /43, /48, /49, /65, /66, /67, /68, /69, /70, /71, /72, /73, /74, /75, /76, /77, /78, /82, /83, /84, /85, /86, /87, /91, /92, /95, /97, /98 (MS3155 CONTROLLED INTERFACE).
- ⑧ WHEN "L" MODIFICATION IS SPECIFIED, COUPLING NUT SHALL HAVE 3 LOCK WIRE HOLES, 120° APART.

Raychem Adapters

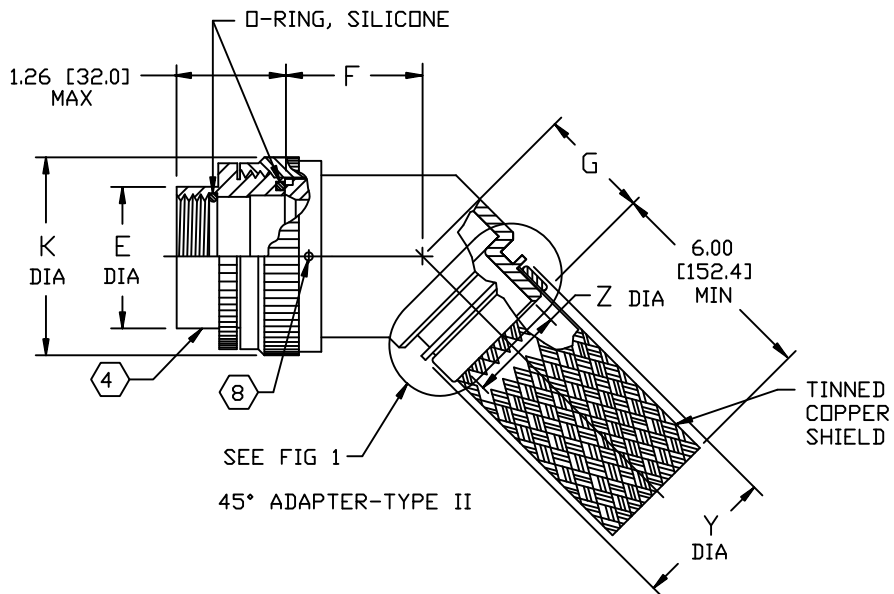
CUSTOMER DRAWING

©2012 Tyco Electronics Corporation. All rights reserved.

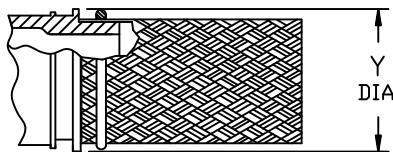
UNLESS OTHERWISE SPECIFIED DIMENSIONS ARE IN INCHES. METRIC DIMENSIONS ARE IN BRACKETS.	DRAWN R. RAMIREZ	DATE 03-19-93		TE Connectivity		
	CHECKED	DATE				
DIMENSIONING AND TOLERANCING PER ASME Y14.5M (ISO STANDARDS)	APPROVED W. C. GAY	DATE 05-19-93	TITLE ADAPTER, SHIELD, 45° CODE 54			
	APPROVED	DATE				
DECIMALS .XXX ± — [mm] .XX ± — [mm] .X ± — [mm] ANGLES .X ± —	CAD NAME 203M1XX_N1.dwg		SIZE A	CODE IDENT. NO. 06090	DWG. NO. 203M1XX	REV N1
	THIRD ANGLE PROJECTION			DO NOT SCALE THIS DWG		
			SHEET 1 OF 4			



45° ADAPTER-TYPE I



45° ADAPTER-TYPE II



TINEL-LOCK TERMINATION

FIG 1 (5)

Raychem Adapters
CUSTOMER DRAWING

SIZE	CODE IDENT. NO.	DWG. NO.	REV
A	06090	203M1XX	N1
DO NOT SCALE THIS DWG		CAD NAME 203M1XX_N1-2.dwg	SHEET 2 OF 4

TABLE I								
BASE PART NO.	SHELL SIZE		MAX ENTRY SIZE TYPE I 4	A THREAD CLASS 2B	B DIA MAX	C MAX	D MAX	E DIA MAX
	6	7						
203M103	3		04	.562-24 UNEF	.669 [16.99]	.75 [19.1]	.91 [23.1]	.695 [17.65]
203M108		8 & 8S	04	.500-20 UNF	.617 [15.67]	.75 [19.1]	.91 [23.1]	.630 [16.00]
203M110		10, 10S & 10SL	05	.625-24 UNEF	.734 [18.64]	.77 [19.6]	.93 [23.6]	.757 [19.23]
203M112	7	12 & 12S	08	.750-20 UNEF	.858 [21.79]	.80 [20.3]	.95 [24.1]	.882 [22.40]
203M114	12	14 & 14S	09	.875-20 UNEF	.984 [24.99]	.82 [20.8]	.97 [24.6]	1.007 [25.58]
203M116	19	16 & 16S	11	1.000-20 UNEF	1.112 [28.24]	.84 [21.3]	1.00 [25.4]	1.132 [28.75]
203M118	27	18	12	1.062-18 UNEF	1.218 [30.94]	.86 [21.8]	1.01 [25.7]	1.218 [30.94]
203M120	37	20	14	1.188-18 UNEF	1.345 [34.16]	.88 [22.4]	1.04 [26.4]	1.345 [34.16]
203M122		22	16	1.312-18 UNEF	1.468 [37.29]	.91 [23.1]	1.06 [26.9]	1.468 [37.29]
203M124		24	18	1.438-18 UNEF	1.593 [40.46]	.93 [23.6]	1.09 [27.7]	1.593 [40.46]
203M128		28	22	1.750-18 UNS	1.969 [50.01]	.98 [24.9]	1.15 [29.2]	1.969 [50.01]
203M132		32	24	2.000-18 UNS	2.219 [56.36]	1.03 [26.2]	1.20 [30.5]	2.219 [56.36]
203M136		36	28	2.250-16 UN	2.469 [62.71]	1.08 [27.4]	1.25 [31.8]	2.469 [62.71]
203M140		40	28	2.500-16 UN	2.719 [69.06]	1.14 [29.0]	1.31 [33.3]	2.719 [69.06]
203M144		44	28	2.750-16 UN	2.969 [75.41]	1.19 [30.2]	1.36 [34.5]	2.969 [75.41]
203M148		48	28	3.000-16 UN	3.219 [81.76]	1.24 [31.5]	1.38 [35.1]	3.219 [81.76]
203M161	61		18	1.500-18 UNEF	1.653 [41.99]	.94 [23.9]	1.10 [27.9]	1.653 [41.99]

If this document is printed it becomes uncontrolled. Check for the latest revision

Raychem Adapters
CUSTOMER DRAWING

SIZE	CODE IDENT. NO.	DWG. NO.	REV
A	06090	203M1XX	N1
DO NOT SCALE THIS DWG		CAD NAME 203M1XX_N1-3.dwg	SHEET 3 OF 4

TABLE II					
ENTRY SIZE	K MAX	Z ±.020 [±0.51]	Y DIA MIN	F MAX	G MAX
03	NA	.187 [4.75]	.393 [9.98]	NA	NA
04	NA	.250 [6.35]	.456 [11.58]	NA	NA
05	.80 [20.3]	.312 [7.92]	.515 [13.08]	.77 [19.6]	.93 [23.6]
06	.80 [20.3]	.375 [9.53]	.581 [14.76]	.77 [19.6]	.93 [23.6]
07	.92 [23.4]	.438 [11.13]	.643 [16.33]	.80 [20.3]	.95 [24.1]
08	.92 [23.4]	.500 [12.70]	.705 [17.91]	.80 [20.3]	.95 [24.1]
09	1.18 [30.0]	.562 [14.27]	.705 [17.91]	.84 [21.3]	1.00 [25.4]
10	1.18 [30.0]	.625 [15.88]	.831 [21.11]	.84 [21.3]	1.00 [25.4]
11	1.18 [30.0]	.688 [17.48]	.893 [22.68]	.86 [21.8]	1.01 [25.7]
12	1.35 [34.3]	.750 [19.05]	.953 [24.21]	.86 [21.8]	1.01 [25.7]
13	1.41 [35.8]	.812 [20.62]	.953 [24.21]	.88 [22.4]	1.04 [26.4]
14	1.41 [35.8]	.875 [22.23]	1.081 [27.46]	.88 [22.4]	1.04 [26.4]
15	1.60 [40.6]	.938 [23.83]	1.143 [29.03]	.91 [23.1]	1.06 [26.4]
16	1.60 [40.6]	1.000 [25.40]	1.205 [30.61]	.91 [23.1]	1.06 [26.9]
18	1.66 [42.2]	1.125 [28.58]	1.381 [35.08]	.93 [23.6]	1.09 [27.7]
20	2.04 [51.8]	1.250 [31.75]	1.506 [38.25]	.98 [24.9]	1.15 [29.2]
22	2.23 [56.6]	1.375 [34.93]	1.631 [41.43]	1.03 [26.2]	1.38 [35.1]
24	2.23 [56.6]	1.500 [38.10]	1.756 [44.60]	1.08 [27.4]	1.44 [36.6]
28	2.48 [63.0]	1.750 [44.45]	2.004 [50.90]	1.18 [30.0]	1.56 [39.6]

Raychem Adapters
CUSTOMER DRAWING

If this document is printed it becomes uncontrolled. Check for the latest revision

SIZE	CODE IDENT. NO.	DWG. NO.	REV
A	06090	203M1XX	N1
DO NOT SCALE THIS DWG	CAD NAME 203M1XX_N1-4.dwg	SHEET 4 OF 4	



Компания «ЭлектроПласт» предлагает заключение долгосрочных отношений при поставках импортных электронных компонентов на взаимовыгодных условиях!

Наши преимущества:

- Оперативные поставки широкого спектра электронных компонентов отечественного и импортного производства напрямую от производителей и с крупнейших мировых складов;
- Поставка более 17-ти миллионов наименований электронных компонентов;
- Поставка сложных, дефицитных, либо снятых с производства позиций;
- Оперативные сроки поставки под заказ (от 5 рабочих дней);
- Экспресс доставка в любую точку России;
- Техническая поддержка проекта, помощь в подборе аналогов, поставка прототипов;
- Система менеджмента качества сертифицирована по Международному стандарту ISO 9001;
- Лицензия ФСБ на осуществление работ с использованием сведений, составляющих государственную тайну;
- Поставка специализированных компонентов (Xilinx, Altera, Analog Devices, Intersil, Interpoint, Microsemi, Aeroflex, Peregrine, Syfer, Eurofarad, Texas Instrument, Miteq, Cobham, E2V, MA-COM, Hittite, Mini-Circuits, General Dynamics и др.);

Помимо этого, одним из направлений компании «ЭлектроПласт» является направление «Источники питания». Мы предлагаем Вам помощь Конструкторского отдела:

- Подбор оптимального решения, техническое обоснование при выборе компонента;
- Подбор аналогов;
- Консультации по применению компонента;
- Поставка образцов и прототипов;
- Техническая поддержка проекта;
- Защита от снятия компонента с производства.



Как с нами связаться

Телефон: 8 (812) 309 58 32 (многоканальный)

Факс: 8 (812) 320-02-42

Электронная почта: org@eplast1.ru

Адрес: 198099, г. Санкт-Петербург, ул. Калинина, дом 2, корпус 4, литера А.