

Features

Power Module

- High power density (L*W*H = 12.19*12.19*3.75)
- Wide operating temperature -40°C to +105°C at full load
- Efficiency up to 97%, no need for heatsinks
- 6-sided shielding
- Thermally and EMI enhanced 25 pad LGA package
- Compact DOSA-compatible footprint
- Low profile



RPM-3.0

3 Amp Single Output



EN55032 compliant

Description

The RPM-3.0 series is a 3A non-isolated switching regulator power module with a full set of features including adjustable output, sequencing, soft-start control, on/off control, and power good signals. The ultra-compact module has a profile of only 3.75mm, but with an efficiency of up to 97%, the device can operate at full load in ambient temperatures as high as +105°C without forced air cooling. The package is complete with 6-sided shielding for optimal EMC performance and excellent heat management.

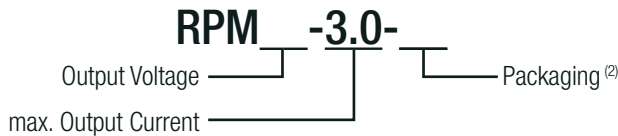
Selection Guide

Part Number	Input Voltage Range [VDC]	Output Voltage [VDC]	Vout Adjust Range [VDC]	Output Current max. [A]	Efficiency typ. [%]	Max. Capacitive Load ⁽¹⁾ [µF]
RPM3.3-3.0	3 - 17	3.3	0.9 - 6.0	3.0	87 - 97	800
RPM5.0-3.0	3 - 17	5	0.9 - 6.0	3.0	90 - 97	800

Notes:

Note1: Max. Cap Load is tested at nominal input and full resistive load

Model Numbering



Notes:

Note2: add suffix "-CT" for tube packaging for more details refer to "PACKAGING INFORMATION" without suffix, standard tape and reel packaging

Specifications (measured @ Ta= 25°C, nom. Vin, full load and after warm-up unless otherwise stated)

BASIC CHARACTERISTICS						
Parameter		Condition	Min.	Typ.	Max.	
Internal Input Filter					capacitor	
Input Voltage Range	Buck mode		3.3Vout 5Vout	3.45VDC 5.15VDC	12VDC	17VDC
	100% duty cycle mode ⁽³⁾	Vout= Vin - Vdrop	3.3Vout 5Vout	3VDC		3.45VDC 5.15VDC
Absolute Maximum Input Voltage						20VDC
Undervoltage Lockout (UVLO)		DC-DC ON DC-DC OFF		2.6VDC 2.8VDC	2.7VDC 2.9VDC	2.8VDC 3.0VDC
Input Current		nom. Vin= 12VDC	3.3Vout 5Vout		1.0A 1.4A	
Quiescent Current					30µA	
Internal Power Dissipation			3.3Vout 5Vout			1.4W 1.6W

continued on next page



www.recom-power.com/eval-ref-boards

Specifications (measured @ Ta= 25°C, nom. Vin, full load and after warm-up unless otherwise stated)

Parameter	Condition	Min.	Typ.	Max.
Output Voltage Trimming ⁽⁴⁾		0.9VDC		6VDC
Minimum Dropout Voltage (Vdrop) ⁽⁵⁾	Vin min. = Vdrop + Vout		50mV/A	
Minimum Load		0%		
Start-up Time	without using soft start function/ power up using CTRL function		1.6ms 1.5ms	
Rise-time			1.4ms	
ON/OFF CTRL	DC-DC ON DC-DC OFF		Open or $0.9V < V_{CTRL} < V_{in}$ Short or $-0.3V < V_{CTRL} < 0.45VDC$	
Input Current of CTRL Pin	DC-DC OFF		1.2μA	
Standby Current	DC-DC OFF		15μA	
Internal Operating Frequency			1.25MHz	
Output Ripple and Noise ⁽⁶⁾	20MHz BW, 80Ω@ 100MHz		60mVp-p	
Absolute Maximum Capacitive Load	below 1 second start up + C _{ss} = 3700nF below 1 second start up without softstart mode			42000μF 800μF

Notes:

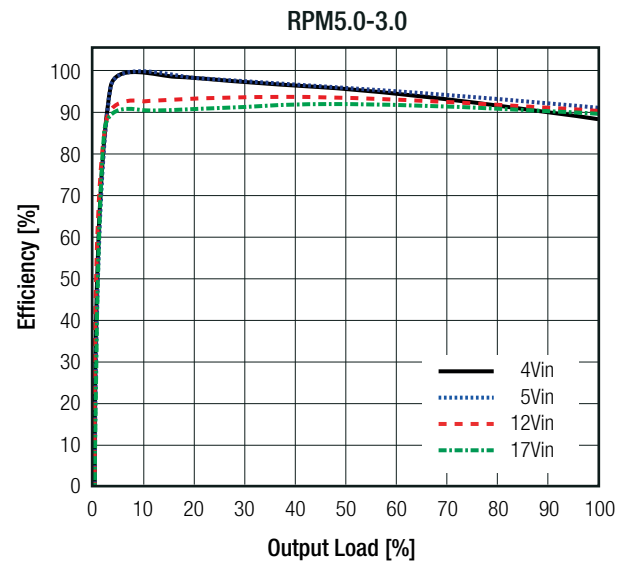
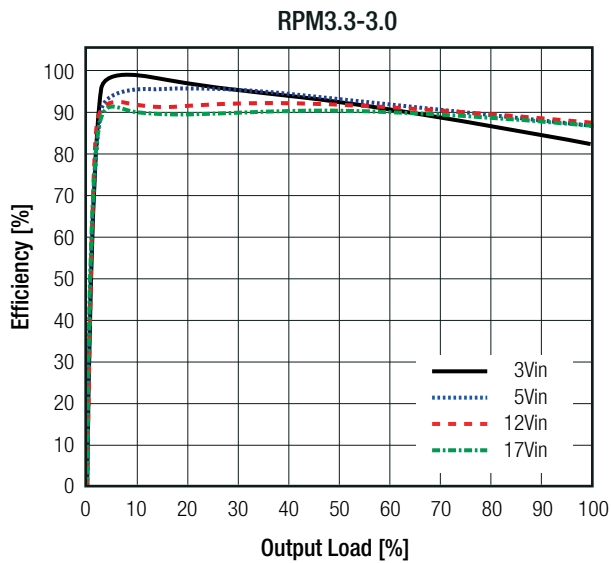
Note3: As input approaches output voltage set point, device enters 100% duty cycle mode. In 100% duty cycle mode, Vout equals Vin minus dropout voltage (see Dropout vs. Load graph)

Note4: For more detailed information, please refer to trim table or calculation on page RPM-3

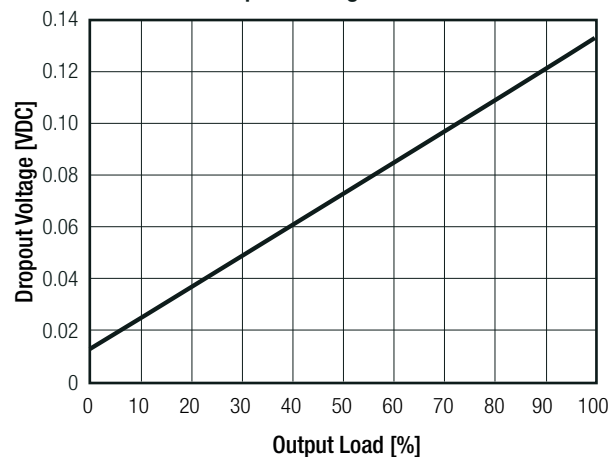
Note5: Required dropout voltage per 1A output current to be within accuracy (see Dropout vs. Load graph)

Note6: Measurements are made with a 22μF MLCC across output (low ESR)

Efficiency vs. Load



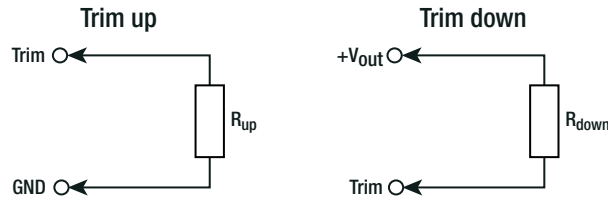
Dropout Voltage vs. Load



Specifications (measured @ Ta= 25°C, nom. Vin, full load and after warm-up unless otherwise stated)

OUTPUT VOLTAGE TRIMMING

The RPM series offers the feature of trimming the output voltage over a range between 0.9V and 6V by using external trim resistors. The values for trim resistors shown in trim tables below are according to standard E96 values; therefore, the specified voltage may slightly vary.



- V_{out_nom} = nominal output voltage [VDC]
- V_{out_set} = trimmed output voltage [VDC]
- V_{ref} = reference voltage [VDC]
- R_{up} = trim up resistor [Ω]
- R_{down} = trim down resistor [Ω]
- R_1, R_2, R_3 = internal resistors [Ω]

V_{out_nom}	R_1	R_2	R_3	V_{ref}
3.3VDC	376k Ω	1k Ω	471k Ω	0.81VDC
5VDC	344k Ω		431k Ω	

Calculation:

$$R_{up} = \left[\frac{R_1}{V_{out_set} - V_{nom}} \right] - R_2$$

$$R_{down} = \left[\frac{(V_{out_set} - V_{ref}) \times R_3}{V_{out_nom} - V_{out_set}} \right]$$

Practical Example RPM3.3-3.0:

$$R_{up} = \left[\frac{376k}{4.3 - 3.3} \right] - 1k = \underline{\underline{375k\Omega}}$$

$$R_{down} = \left[\frac{(1.8 - 0.81) \times 471k}{3.3 - 1.8} \right] = \underline{\underline{311k\Omega}}$$

R_{up} according to E96 \approx 374k Ω

R_{down} according to E96 \approx 309k Ω

RPM3.3-3.0

Trim up

$V_{out_set} =$	3.5	3.7	3.9	4.1	4.3	4.5	4.7	5.0	5.5	6.0	[VDC]
$R_{up} (E96) \approx$	1M87	931k	619k	464k	374k	309k	267k	221k	169k	137k	[Ω]

Trim down

$V_{out_set} =$	3.0	2.7	2.5	2.2	2.0	1.8	1.5	1.2	1.0	0.9	[VDC]
$R_{down} (E96) \approx$	3M40	1M47	1M	590k	432k	309k	182k	86k6	39k2	17k4	[Ω]

RPM5.0-3.0

Trim up

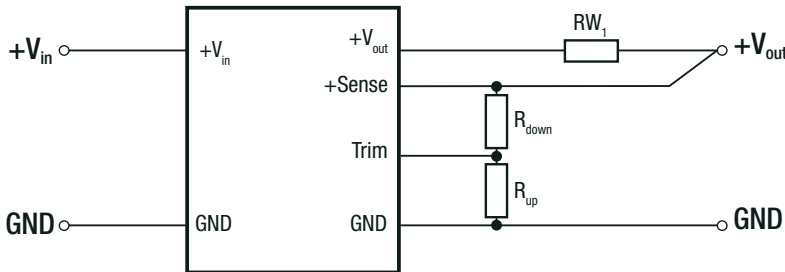
$V_{out_set} =$	5.1	5.2	5.3	5.4	5.5	5.6	5.7	5.8	5.9	6.0	[VDC]
$R_{up} (E96) \approx$	2M21	1M33	976k	750k	619k	523k	453k	402k	357k	324k	[Ω]

Trim down

$V_{out_set} =$	4.5	4.0	3.5	3.3	2.5	1.8	1.5	1.2	1.0	0.9	[VDC]
$R_{down} (E96) \approx$	3M16	1M37	768k	634k	294k	133k	84k5	44k2	20k5	9k53	[Ω]

Specifications (measured @ Ta= 25°C, nom. Vin, full load and after warm-up unless otherwise stated)

REMOTE SENSE



The output voltage can be adjusted via the trim and sense functions.

The maximum output voltage from Trim and Sense function combined is 5.5VDC. Derating may be required when using Trim and/or sense functions.

RW_1 ... wire losses +

R_{up} ... trim up resistor

R_{down} ... trim down resistor

REGULATIONS

Parameter	Condition	Value
Output Accuracy		±3.0% max.
Line Regulation	low line to high line, full load	0.25% typ. / ±3.0% max.
Load Regulation	0% to 100% load	0.5% typ. / 3.0% max.
Soft-Start Time		refer to soft-start capacitor calculation
Transient Response	100% - 10% load step recovery time	200mV max. 6ms typ.
	25% load step change recovery time	150mV max. 500µs typ.

Sequencing Multiple Modules

The SEQ pin can be used to program the rising edge of the output voltage. An internal current source charges a soft-start capacitor which is connected from the sequencing pin to GND. The following equation is used to calculate the soft-start capacitor:

C_{ss} = soft-start capacitor

I_{ss} = sum of all soft-start currents of all sequenced modules

t_{ss} = required soft-start time

n = number of RPMs

$$C_{ss} = \frac{t_{ss} \times I_{ss}}{1.25V} - n \times 3.3nF$$

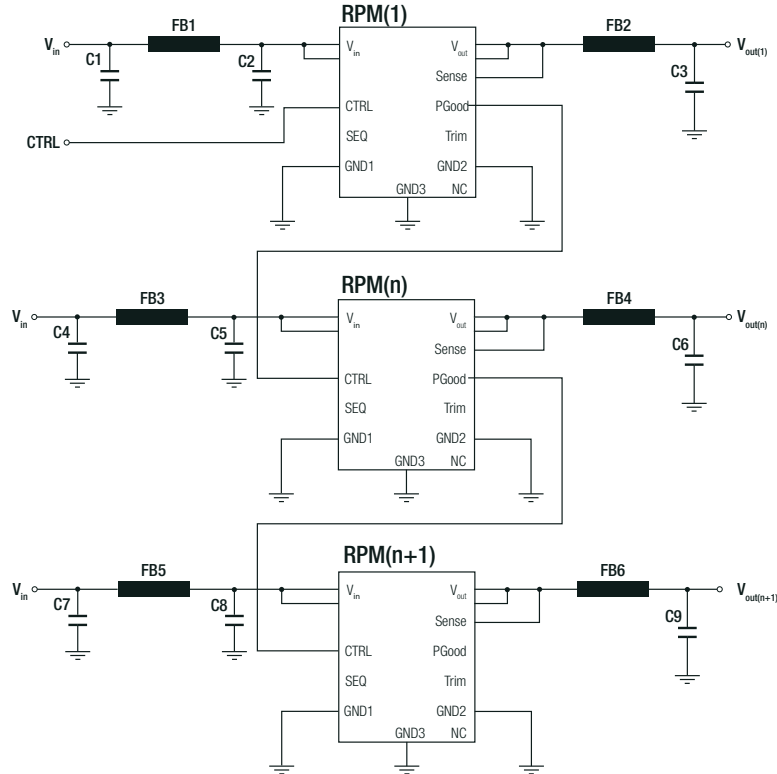
Note: there is a 3.3nF internal soft-start capacitor, and there are different constant current sources in the modules which leads to different preset soft-start times.

I_{ss} [µA]			Preset soft-start time [µs]		
Min.	Typ.	Max.	Min.	Typ.	Max.
4.5	5.0	5.5	750	825	920

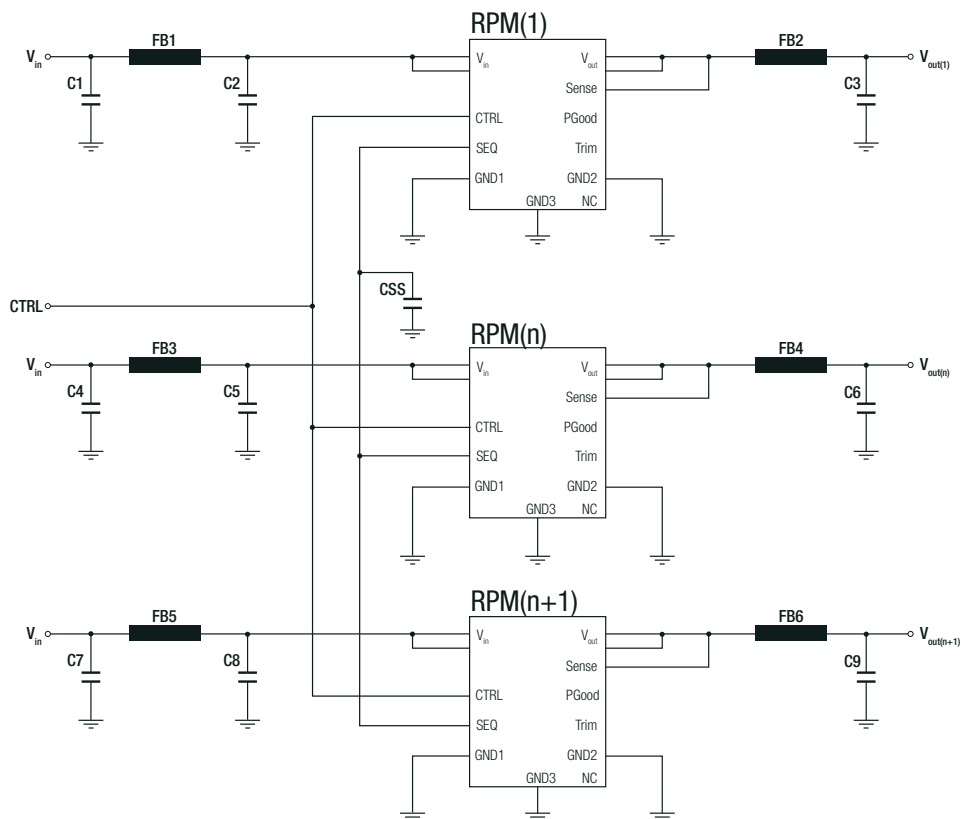
continued on next page

Specifications (measured @ $T_a = 25^\circ\text{C}$, nom. V_{in} , full load and after warm-up unless otherwise stated)

To sequence multiple power module start-up times the power good (PGood) pin and the CTRL pin may be used. In below schematic, the RPM(n) starts after RPM(1) reaches its set output voltage and the power good signal is set to high which then enables RPM(n). After RPM(n) reaches its set output voltage, it enables RPM(n+1).



To sequence multiple converters to start at the same time (set output voltage is reached at the same time), the following schematic may be used:



Specifications (measured @ Ta= 25°C, nom. Vin, full load and after warm-up unless otherwise stated)

PROTECTIONS

Parameter	Condition		Value
Short Circuit Protection (SCP)	50mΩ		constant current mode
Short Circuit Input Current	without soft-start mode		75mA typ.
Over Current Protection (OCP)	with soft-start mode		120%, pulse by pulse current limitation
Over Temperature Protection (OTP)	case temperature (measured on tc point)	DC-DC OFF DC-DC ON	110°C, auto restart after cool down 100°C typ.

ENVIRONMENTAL

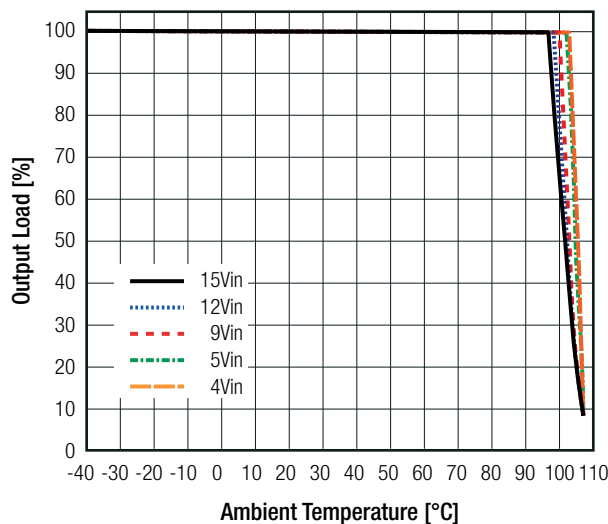
Parameter	Condition		Value
Operating Temperature Range ⁽⁷⁾	@ natural convection 0.1m/s (refer to derating graph)		-40°C to +100°C
Maximum Case Temperature	measured on tc point (see dimension drawing)		+110°C
Temperature Coefficient	@ +65°C Tamb		0.02%/K
Thermal Impedance ⁽⁷⁾	0.1m/s, horizontal (Tcase to Tamb)		8K/W
Operating Altitude	with derating @ natural convection 0.1m/s (refer to altitude vs. load graph)		5000m
Operating Humidity	non-condensing		5% - 95% RH max.
Shock	MIL-STD-810G, Method 516.6, Procedure I		40g, 11ms, saw-tooth, 3 shocks ± per axis 3 axis; unit is operating
	MIL-STD-810G, Method 516.6, Procedure IV		drop on 50mm plywood on concrete 26 times from 1 meter
Temperature Cycling	MIL-STD-883F, Method 1010, Condition A		powered -50°C to +85°C, 300 cycles
Random Vibration	MIL-STD-810G, Method 514.6, Procedure I, Category 24		Category 24 - Figure 514.6E-1 - power spectral density = 0.04g ² /Hz at 20Hz –1000Hz; -6dB/octave at 1000Hz – 2000Hz; 60 minutes x 3 axis; unit is operating during tests
MTBF	according to MIL-HDBK-217F, G.B. @ full load	+25°C +85°C	2400 x 10 ³ hours 660 x 10 ³ hours

Notes:

Note7: tested with a eurocard 160x100mm 70µm copper, 4 layer

Derating Graph ⁽⁷⁾

(@ chamber and natural convection 0.1m/s)



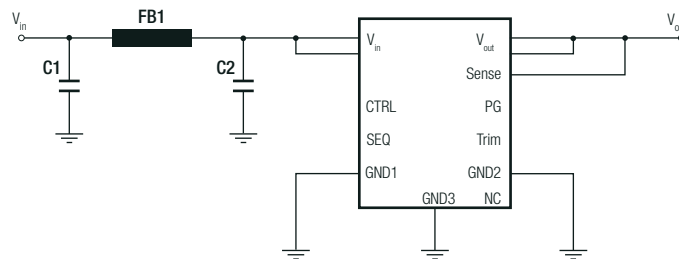
Specifications (measured @ Ta= 25°C, nom. Vin, full load and after warm-up unless otherwise stated)

SAFETY AND CERTIFICATIONS

Certificate Type (Safety)	Report / File Number	Standard
Audio/video, information and communication technology equipment. Safety requirements	designed to meet	EN62368-1
RoHS 2+		RoHS 2011/65/EU + AM2015/863

EMC Compliance	Condition	Standard / Criterion
Electromagnetic compatibility of multimedia equipment - emission requirements	with external components (see filter suggestions below)	EN55032, Class A and B

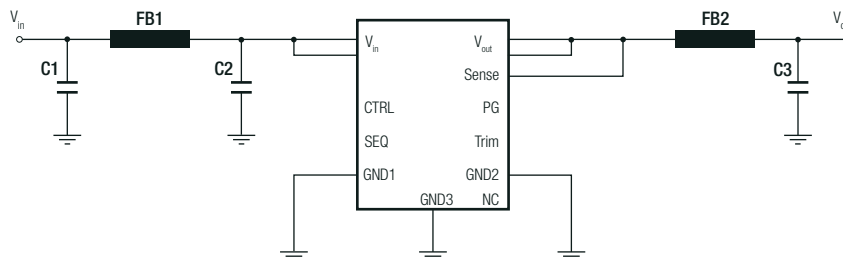
EMC filtering suggestion according to EN55032



Component List Class A

C1	C2 ⁽⁸⁾	FB1
10µF 25V X7R	10µF 25V X7R	WE ref: 742792510

EMC filtering suggestion according to EN55032



Component List Class B

C1	C2 ⁽⁸⁾	FB1	FB2	C3
10µF 25V X7R	10µF 25V X7R	WE ref: 742792510	WE ref: 7427932	22µF 10V 7XR

Notes:

Note8: C2 is only required below 10V input voltage

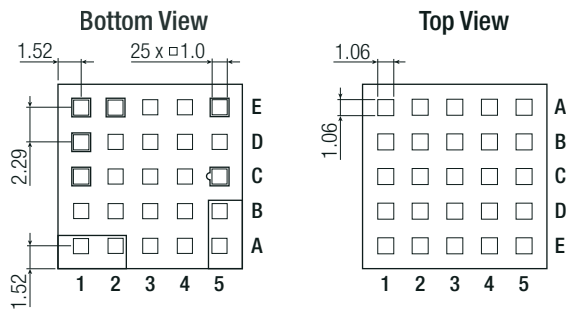
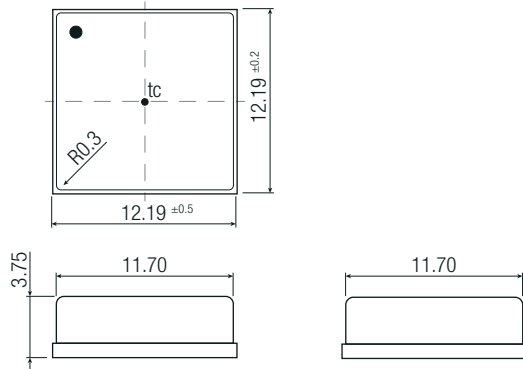
DIMENSION AND PHYSICAL CHARACTERISTICS

Parameter	Type	Value
Material	case	metal
	PCB	FR4, (UL94 V-0)
	solder pads	copper with electrolytic nickel-gold
Dimension (LxWxH)		12.19 x 12.19 x 3.75mm
Weight		1.1g typ.

continued on next page

Specifications (measured @ Ta= 25°C, nom. Vin, full load and after warm-up unless otherwise stated)

Dimension Drawing (mm)

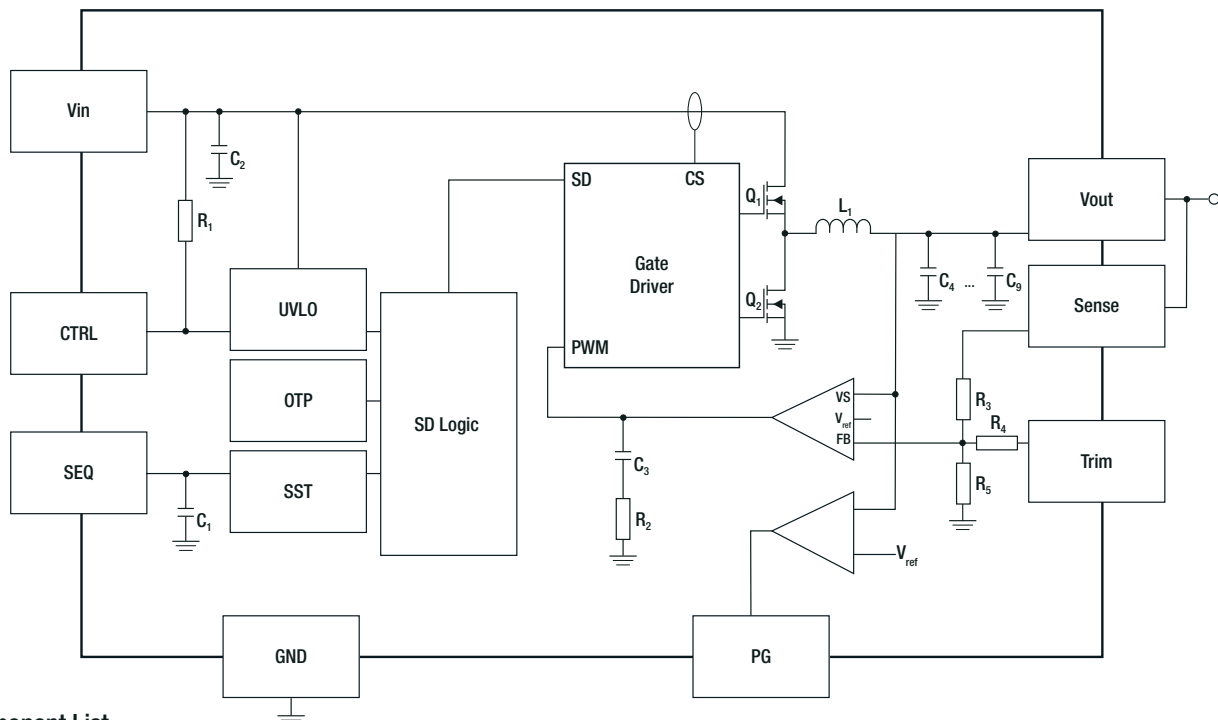


Pinning information

Pad #	Function	Description
A1, A2	Vin	Positive input voltage with respect to GND. Connect to a Vin plane for enhanced thermal performance
C1	CTRL	Active High: pull to GND to disable the device. Pull high or leave open to enable the device
A5, B5	Vout	Positive output voltage. Connect to a Vout plane for enhanced thermal performance
C5	Sense	Connect this pad to the load or directly to Vout. This pad must not be left floating
E5	Trim	Used to set the output voltage between 0.9V and 6V
E2	NC	Not connected
E1	SEQ	Used to sequence multiple converters or to set the startup time. Float if not used
D1	PGood	Output power good. High = Vout at set level, low = Vout below nominal regulation. Maximum sink current is 2mA. It has a high impedance output (100kΩ connected to Vout). Float if not used
A3, A4, B1, B2, B3, B4, C2, C3, C4, D2, D3, D4, D5, E3, E4	GND	Negative input voltage. Connect to GND plane(s) for enhanced thermal performance

tc = case temperature measuring point
 Pad tolerance= ±0.05mm
 Case tolerance= ±0.25mm

BLOCKDIAGRAM



Component List

	C1	C2	L1	C4 - C9	R3	R4	R5
3.3Vout	3.3nF	4.7μF	2.2μH	10μF 6pcs. in parallel	470kΩ	1kΩ	150kΩ
5Vout					430kΩ		82kΩ

Specifications (measured @ Ta= 25°C, nom. Vin, full load and after warm-up unless otherwise stated)

PACKAGING INFORMATION		
Parameter	Type	Value
Packaging Dimension (LxWxH)	tape and reel	330.2 x 330.2 x 30.4mm
	tape and reel (carton)	365.0 x 365.0 x 55.0mm
	tube ("-CT")	530.0 x 30.3 x 19.2mm
Packaging Quantity	tape and reel	500pcs
	tube ("-CT")	30pcs
Tape Width		24mm
Storage Temperature Range		-55°C to +125°C
Storage Humidity	non-condensing	95% RH max.

The product information and specifications may be subject to changes even without prior written notice. The product has been designed for various applications; its suitability lies in the responsibility of each customer. The products are not authorized for use in safety-critical applications without RECOM's explicit written consent. A safety-critical application is an application where a failure may reasonably be expected to endanger or cause loss of life, inflict bodily harm or damage property. The applicant shall indemnify and hold harmless RECOM, its affiliated companies and its representatives against any damage claims in connection with the unauthorized use of RECOM products in such safety-critical applications.



Компания «ЭлектроПласт» предлагает заключение долгосрочных отношений при поставках импортных электронных компонентов на взаимовыгодных условиях!

Наши преимущества:

- Оперативные поставки широкого спектра электронных компонентов отечественного и импортного производства напрямую от производителей и с крупнейших мировых складов;
- Поставка более 17-ти миллионов наименований электронных компонентов;
- Поставка сложных, дефицитных, либо снятых с производства позиций;
- Оперативные сроки поставки под заказ (от 5 рабочих дней);
- Экспресс доставка в любую точку России;
- Техническая поддержка проекта, помощь в подборе аналогов, поставка прототипов;
- Система менеджмента качества сертифицирована по Международному стандарту ISO 9001;
- Лицензия ФСБ на осуществление работ с использованием сведений, составляющих государственную тайну;
- Поставка специализированных компонентов (Xilinx, Altera, Analog Devices, Intersil, Interpoint, Microsemi, Aeroflex, Peregrine, Syfer, Eurofarad, Texas Instrument, Miteq, Cobham, E2V, MA-COM, Hittite, Mini-Circuits, General Dynamics и др.);

Помимо этого, одним из направлений компании «ЭлектроПласт» является направление «Источники питания». Мы предлагаем Вам помощь Конструкторского отдела:

- Подбор оптимального решения, техническое обоснование при выборе компонента;
- Подбор аналогов;
- Консультации по применению компонента;
- Поставка образцов и прототипов;
- Техническая поддержка проекта;
- Защита от снятия компонента с производства.



Как с нами связаться

Телефон: 8 (812) 309 58 32 (многоканальный)

Факс: 8 (812) 320-02-42

Электронная почта: org@eplast1.ru

Адрес: 198099, г. Санкт-Петербург, ул. Калинина, дом 2, корпус 4, литера А.