

# NCP1370

## Product Preview

# Dimmable Quasi-Resonant Primary Side Current-Mode Controller for LED TV Backlight

The NCP1370 is a PWM current mode controller targeting isolated flyback and non-isolated constant current topologies. The controller operates in a quasi-resonant mode to provide high efficiency. Thanks to a novel control method, the device is able to precisely regulate a constant LED current from the primary side. This removes the need for secondary side feedback circuitry, biasing and an opto-coupler.

The device is highly integrated with a minimum number of external components. A robust suite of safety protection is built in to simplify the design. This device supports analog/digital dimming and both modes can be combined to enhance dimming precision. The NCP1370 has a programmable peak current limit to optimize design compatibility over a wide range of applications. The controller features a standby mode with reduced current consumption.

### Features

- Quasi-resonant Peak Current-mode Control Operation
- Primary Side Sensing (no opto-coupler needed)
- Wide  $V_{CC}$  Range
- Source 300 mA / Sink 500 mA Totem Pole Driver with 12 V Gate Clamp
- Precise LED Constant Current Regulation  $\pm 1\%$  Typical
- Line Feed-forward for Enhanced Regulation Accuracy
- Low LED Current Ripple
- 500 mV  $\pm 1.2\%$  Guaranteed Voltage Reference for Current Regulation
- Programmable Cycle-by-Cycle Peak Current Limit
- Low  $V_{CC(on)}$  Allowing to use a Standby Power Supply to Power the Device
- Analog or Digital Dimming
- Wide Temperature Range of  $-40$  to  $+125^{\circ}\text{C}$
- Robust Protection Features
  - ◆ LED Open Circuit Protection
  - ◆  $V_{CC}$  Over Voltage Protection
  - ◆ Secondary Diode Short Protection
  - ◆ Output Short Circuit Protection
  - ◆ Shorted Current Sense Pin Fault Detection
  - ◆ Brown-out
  - ◆  $V_{CC}$  Under Voltage Lockout
  - ◆ Thermal Shutdown
- Pb-free, Halide-free MSL1 Product

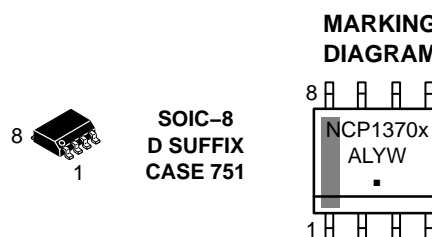
This document contains information on a product under development. ON Semiconductor reserves the right to change or discontinue this product without notice.



ON Semiconductor®

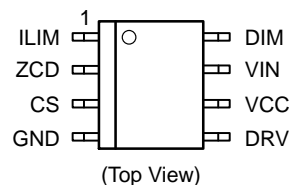
[www.onsemi.com](http://www.onsemi.com)

## QUASI-RESONANT PWM CONTROLLER FOR LED DRIVERS



NCP1370 = Specific Device Code  
x = Device Option (A or B)  
A = Assembly Location  
L = Wafer Lot  
Y = Year  
W = Work Week  
▪ = Pb-Free Package

### PIN CONNECTIONS



### ORDERING INFORMATION

See detailed ordering and shipping information in the package dimensions section on page 18 of this data sheet.

### Typical Applications

- TV Backlight
- Lighting with Auxiliary Power Supply

# NCP1370

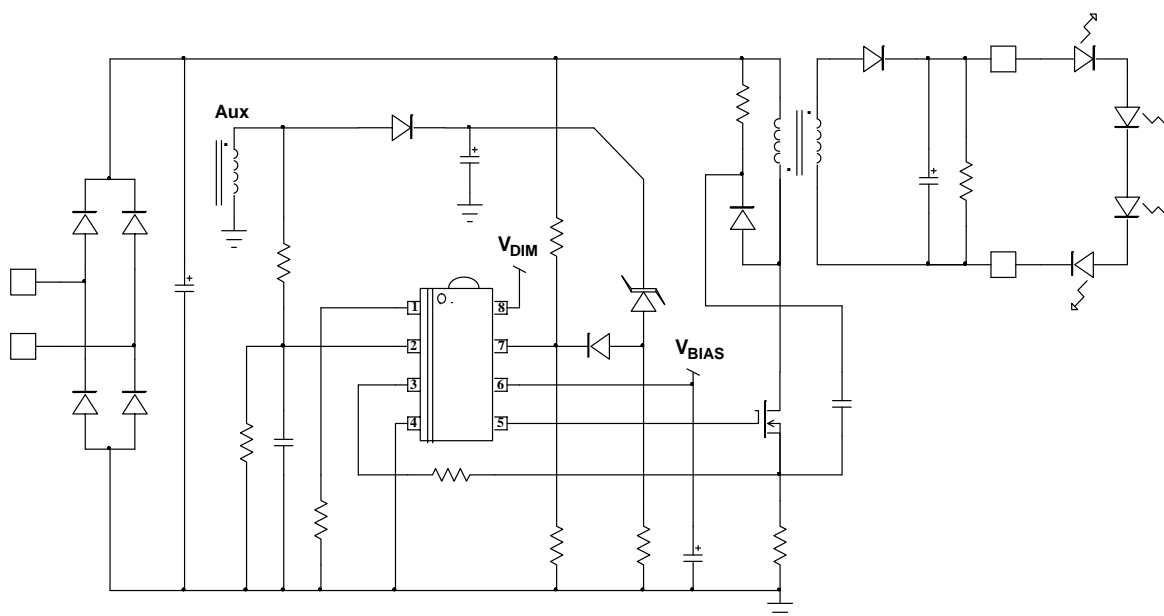


Figure 1. Typical Application Schematic for NCP1370

Table 1. PRODUCTS TABLE

Block or Electrical Parameter	NCP1370B	NCP1370A
Brown-out blanking time $t_{BO}(\text{blank})$	100 $\mu\text{s}$	2 ms
Blanking circuit for leakage inductance reset detection	ON	ON
$V_{CC}$ OVP	Auto-recovery	Latched
Switching cycles count before activating the output diode short circuit protection: $V_{CS} > V_{CS}(\text{stop})$	4 cycles	4 cycles
Output Diode Short Circuit protection	Auto-recovery	Latched
Adjustable OVP Auto-recovery timer	1 second	4 seconds
CS short circuit protection (impedance measurement before startup)	ON	OFF
High mains valley switching	3 <sup>rd</sup> (all HL valleys incremented by 1)	2 <sup>nd</sup>
Propagation delay from ZCD to DRV high state $t_{ZCD}(\text{DEM})$	ON	ON

Table 2. PIN FUNCTION DESCRIPTION

Pin N°	Pin Name	Function	Pin Description
1	ILIM	Peak current limit and 2 <sup>nd</sup> over current protection	This pin sets the cycle-by-cycle peak current limit threshold and the threshold for secondary diode short detection
2	ZCD	Zero Crossing Detection	Connected to the auxiliary winding, this pin detects the core reset event.
3	CS	Current sense	This pin monitors the primary peak current.
4	GND	-	The controller ground
5	DRV	Driver output	The driver's output to an external MOSFET
6	VCC	Supplies the controller	This pin is connected to an external power supply.
7	VIN	Brown-Out Input voltage sensing Over Voltage Protection	This pin observes the HV rail and protects the circuit in case of low main conditions. This pin also sense the line voltage for the valley selection and the line feed-forward A Zener diode can also be used to pull-up the pin and stop the controller for adjustable OVP protection
8	DIM	Analog / PWM dimming	This pin is used for analog or PWM dimming control. An analog signal than can be varied between $V_{DIM(EN)}$ and $V_{DIM100}$ can be used to vary the current, or a PWM signal with an amplitude greater than $V_{DIM100}$ . This pin is also used for the OFF mode

# NCP1370

## Internal Circuit Architecture

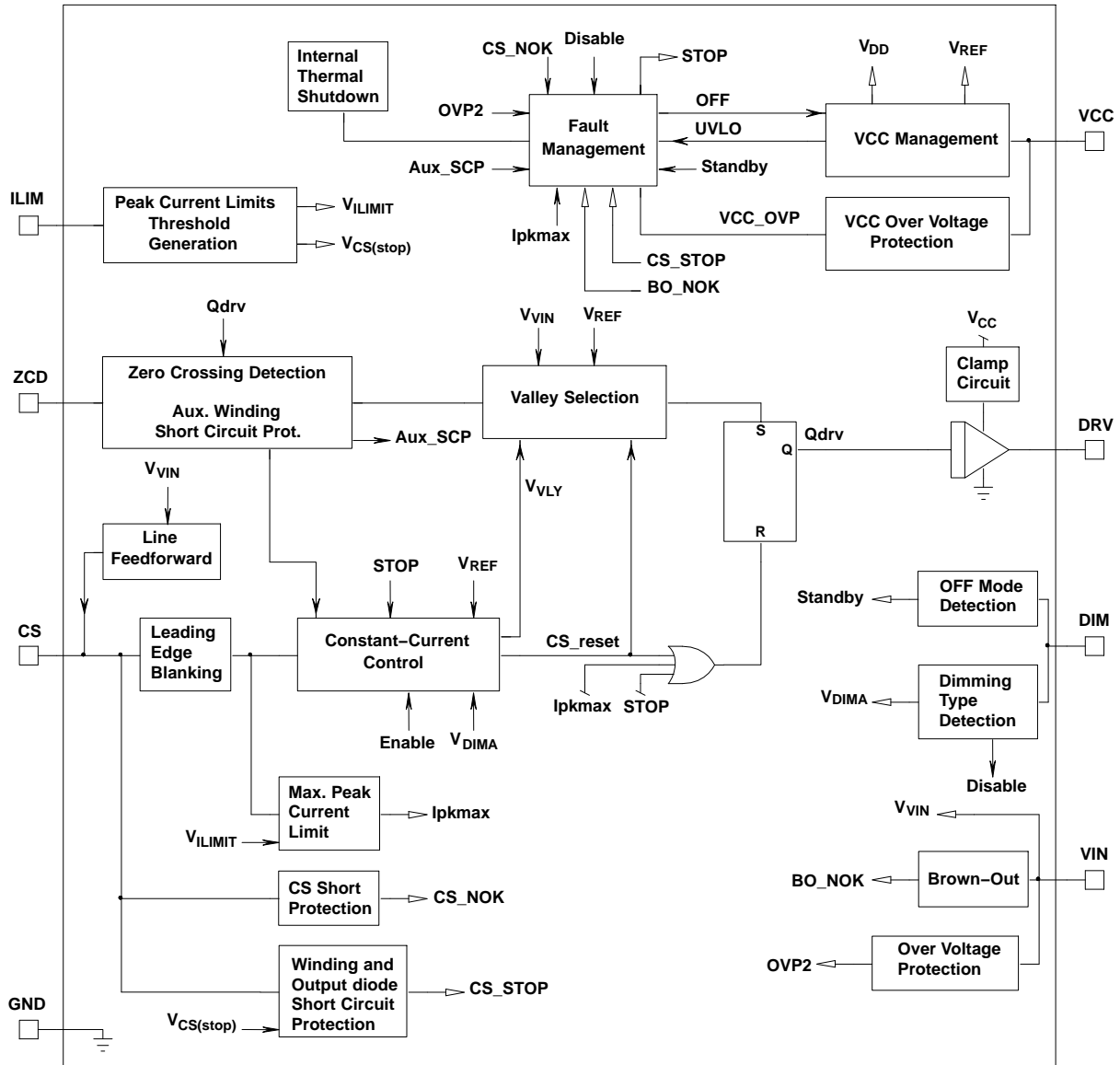


Figure 2. Internal Circuit Architecture

**Table 3. MAXIMUM RATINGS TABLE**

Symbol	Rating	Value	Unit
$V_{CC(MAX)}$	Maximum Power Supply voltage, VCC pin, continuous voltage	-0.3, +35	V
$I_{CC(MAX)}$	Maximum current for VCC pin	Internally limited	mA
$V_{DRV(MAX)}$	Maximum driver pin voltage, DRV pin, continuous voltage	-0.3, $V_{DRV}$ (Note 1)	V
$I_{DRV(MAX)}$	Maximum current for DRV pin	-500, +800	mA
$V_{MAX}$	Maximum voltage on low power pins (except pins DIM, DRV and VCC)	-0.3, +5.5	V
$I_{MAX}$	Current range for low power pins (except pins DRV and VCC)	-2, +5	mA
$V_{DIM(MAX)}$	Maximum voltage for DIM pin	-0.3, +7	V
$R_{\theta J-A}$	Thermal Resistance Junction-to-Air	289	°C/W
$T_J(MAX)$	Maximum Junction Temperature	150	°C
	Operating Temperature Range	-40 to +125	°C
	Storage Temperature Range	-60 to +150	°C
	ESD Capability, HBM model (Note 2)	4	kV
	ESD Capability, MM model (Note 2)	200	V

Stresses exceeding those listed in the Maximum Ratings table may damage the device. If any of these limits are exceeded, device functionality should not be assumed, damage may occur and reliability may be affected.

- $V_{DRV}$  is the DRV clamp voltage  $V_{DRV(high)}$  when  $V_{CC}$  is higher than  $V_{DRV(high)}$ .  $V_{DRV}$  is  $V_{CC}$  unless otherwise noted.
- This device series contains ESD protection and exceeds the following tests: Human Body Model 4000 V per Mil-Std-883, Method 3015.
- This device contains latch-up protection and exceeds 100 mA per JEDEC Standard JESD78

**Table 4. ELECTRICAL CHARACTERISTICS** (Unless otherwise noted: For typical values  $T_J = 25^\circ\text{C}$ ,  $V_{CC} = 12\text{ V}$ )

For min/max values  $T_J = -40^\circ\text{C}$  to  $+125^\circ\text{C}$ , Max  $T_J = 150^\circ\text{C}$ ,  $V_{CC} = 12\text{ V}$ )

Description	Test Condition	Symbol	Min	Typ	Max	Unit
-------------	----------------	--------	-----	-----	-----	------

**STARTUP AND SUPPLY CIRCUITS**

Supply Voltage						V
Startup Threshold	$V_{CC}$ increasing	$V_{CC(on)}$	11	12	13	
Minimum Operating Voltage	$V_{CC}$ decreasing	$V_{CC(off)}$	9	9.5	10	
Hysteresis $V_{CC(on)} - V_{CC(off)}$	$V_{CC}$ decreasing	$V_{CC(HYS)}$	1.8	-	-	
Internal logic reset equal to $V_{CC(off)}$		$V_{CC(reset)}$	9	9.5	10	
Over Voltage Protection		$V_{CC(OVP)}$	26	28	30	V
$V_{CC(off)}$ noise filter		$t_{V_{CC(off)}}$	-	5	-	$\mu\text{s}$
$V_{CC(reset)}$ noise filter		$t_{V_{CC(reset)}}$	-	20	-	
Startup current		$I_{CC(start)}$	-	-	100	$\mu\text{A}$
Starting time from exiting OFF Mode to 1 <sup>st</sup> DRV pulse		$t_{CC(start)}$		-	250	$\mu\text{s}$
Supply Current						mA
Device Disabled/Fault	$V_{CC} > V_{CC(off)}$	$I_{CC1}$	0.8	1.2	1.4	
Device Enabled/No output load on pin 5	$F_{sw} = 65\text{ kHz}$	$I_{CC2}$	-	2.3	4.0	
Device Switching ( $F_{sw} = 65\text{ kHz}$ )	$C_{DRV} = 470\text{ pF}$ , $F_{sw} = 65\text{ kHz}$	$I_{CC3}$	-	2.7	5.0	
Supply Current in OFF mode		$I_{CC(off)}$			50	$\mu\text{A}$

**CURRENT SENSE AND ILIM PIN**

Reference current for maximum peak current limit threshold		$I_{LIM(REF)}$	190	200	210	$\mu\text{A}$
Minimum value for internal $V_{ILIMIT}$	$V_{pinILIM} < 0.5\text{ V}$	$V_{ILIMIT(MIN)}$		0.5		V
Maximum value for internal $V_{ILIMIT}$	Pin ILIM open	$V_{ILIMIT(MAX)}$	2.34	2.6	2.86	V
Difference between internal $V_{ILIMIT}$ and ILIM pin voltage	$V_{pinILIM} = 1.5\text{ V}$	$V_{ILIMIT(offset)}$	-30		30	mV
$V_{CS(stop)}$ at $V_{pinILIM} = 1.5\text{ V}$	$V_{pinILIM} = 1.5\text{ V}$	$V_{CS(stop)1}$	2.037	2.1	2.163	V
Leading Edge Blanking Duration for $V_{ILIM}$ ( $T_j = -40^\circ\text{C}$ to $125^\circ\text{C}$ )		$t_{LEB}$	280	330	380	ns
Minimum on-time (equal to $t_{LEB}$ )		$t_{on(MIN)}$	280	330	380	ns
Propagation delay from current detection to gate off-state		$t_{ILIM}$	-	50	150	ns
Maximum on-time		$t_{on(MAX)}$	37.5	50	62.5	$\mu\text{s}$

- Guaranteed by design

# NCP1370

**Table 4. ELECTRICAL CHARACTERISTICS** (Unless otherwise noted: For typical values  $T_J = 25^\circ\text{C}$ ,  $V_{CC} = 12\text{ V}$ )  
For min/max values  $T_J = -40^\circ\text{C}$  to  $+125^\circ\text{C}$ , Max  $T_J = 150^\circ\text{C}$ ,  $V_{CC} = 12\text{ V}$ )

Description	Test Condition	Symbol	Min	Typ	Max	Unit
<b>CURRENT SENSE AND ILIM PIN</b>						
Minimum threshold value for immediate fault protection activation	$V_{pinILIM} < 0.5\text{ V}$	$V_{CS(stop)MIN}$		0.7		V
Minimum threshold value for immediate fault protection activation	Pin ILIM open	$V_{CS(stop)MAX}$		3.64		V
Ratio between internal $V_{CS(stop)}$ and internal $V_{ILIMIT}$		$K_{STOP/ILIMIT}$		140		%
Leading Edge Blanking Duration for $V_{CS(stop)}$		$t_{BCS}$	–	200	–	ns
Current source for CS to GND short detection		$I_{CS(short)}$	400	500	600	$\mu\text{A}$
Timer for measuring CS to GND short		$t_{CS(short)}$	12	17	22	$\mu\text{s}$
<b>GATE DRIVE</b>						
Drive Resistance DRV Sink DRV Source		$R_{SNK}$ $R_{SRC}$	– –	13 30	– –	$\Omega$
Drive current capability DRV Sink (Note 4) DRV Source (Note 4)		$I_{SNK}$ $I_{SRC}$	– –	500 300	– –	mA
Rise Time (10 % to 90 %)	$C_{DRV} = 470\text{ pF}$	$t_r$	–	40	–	ns
Fall Time (90 % to 10 %)	$C_{DRV} = 470\text{ pF}$	$t_f$	–	30	–	ns
DRV Low Voltage	$V_{CC} = V_{CC(off)} + 0.2\text{ V}$ $C_{DRV} = 470\text{ pF}$ , $R_{DRV} = 33\text{ k}\Omega$	$V_{DRV(low)}$	8	–	–	V
DRV High Voltage	$V_{CC} = 30\text{ V}$ $C_{DRV} = 470\text{ pF}$ , $R_{DRV} = 33\text{ k}\Omega$	$V_{DRV(high)}$	10	12	14	V
<b>ZERO VOLTAGE DETECTION CIRCUIT</b>						
ZCD threshold voltage	$V_{ZCD}$ increasing	$V_{ZCD(THI)}$	30	50	70	mV
ZCD threshold voltage (Note 4)	$V_{ZCD}$ decreasing	$V_{ZCD(THD)}$	20	40	60	mV
ZCD hysteresis (Note 4)	$V_{ZCD}$ increasing	$V_{ZCD(HYS)}$	8	–	–	mV
Threshold voltage for output short circuit or aux. winding short circuit detection		$V_{ZCD(short)}$	0.8	1	1.2	V
Short circuit detection Timer	$V_{ZCD} < V_{ZCD(short)}$	$t_{OVL D}$	70	90	110	ms
Auto-recovery timer duration		$t_{recovery}$	3	4	5	s
Input clamp voltage High state Low state	$I_{pin1} = 3.0\text{ mA}$ $I_{pin1} = -2.0\text{ mA}$	$V_{ZCD(CH)}$ $V_{ZCD(CL)}$	– –0.9	8 –0.6	– –0.3	V
Propagation Delay from valley detection to DRV high	$V_{ZCD}$ decreasing	$t_{ZCD(DEM)}$	–	–	480	ns
Delay from valley lockout output to DRV latch set	$V_{ZCD}$ decreasing	$t_{LEB4}$	125	250	375	ns
Blanking delay after on-time	$V_{REF} > 100\text{ mV}$	$t_{ZCD(BLANK1)}$	1.2	1.6	2	$\mu\text{s}$
Blanking delay after on-time at light load	$V_{REF} < 75\text{ mV}$	$t_{ZCD(BLANK2)}$	0.6	0.8	1	$\mu\text{s}$
Timeout after last demag transition		$t_{TIMO}$	5	6.5	8	$\mu\text{s}$
<b>LINE FEED-FORWARD</b>						
$V_{VIN}$ to $I_{CS(offset)}$ conversion ratio		$K_{LFF}$	15	17	19	$\mu\text{A/V}$
Offset current maximum value	$V_{pinVIN} = 4.5\text{ V}$	$I_{offset(MAX)}$	67.5	76.5	85.5	$\mu\text{A}$
<b>CONSTANT CURRENT CONTROL</b>						
Reference Voltage (after division by 2) ( $T_J = 25^\circ\text{C}$ )		$V_{REF}$	495	500	505	mV
Reference Voltage (after division by 2) ( $T_J = 0^\circ\text{C}$ to $85^\circ\text{C}$ )		$V_{REF}$	492	500	508	mV
Reference Voltage (after division by 2) ( $T_J = -40^\circ\text{C}$ to $125^\circ\text{C}$ )		$V_{REF}$	488	500	512	mV

4. Guaranteed by design

# NCP1370

**Table 4. ELECTRICAL CHARACTERISTICS** (Unless otherwise noted: For typical values  $T_J = 25^\circ\text{C}$ ,  $V_{CC} = 12\text{ V}$ )  
For min/max values  $T_J = -40^\circ\text{C}$  to  $+125^\circ\text{C}$ , Max  $T_J = 150^\circ\text{C}$ ,  $V_{CC} = 12\text{ V}$ )

Description	Test Condition	Symbol	Min	Typ	Max	Unit
<b>CONSTANT CURRENT CONTROL</b>						
Current sense lower threshold for detection of the leakage inductance reset time		$V_{CS(\text{low})}$	25	55	85	mV
Blanking time for leakage inductance reset detection		$t_{CS(\text{low})}$		130		ns
$V_{REF}$ value below which the ZCD blanking time is divided by 2 (light load)	$V_{REF}$ decreases	$V_{REF(\text{off})}$		75		mV
$V_{REF}$ value above which ZCD blanking time is $t_{ZCD(\text{blank1})}$	$V_{REF}$ increases	$V_{REF(\text{on})}$		100		mV
<b>VALLEY SELECTION</b>						
Threshold for line range detection $V_{in}$ increasing (1 <sup>st</sup> to 2 <sup>nd</sup> valley or 1 <sup>st</sup> to 3 <sup>rd</sup> transition for $V_{REF} > 0.375\text{ V}$ )	$V_{VIN}$ increases	$V_{HL}$	2.28	2.4	2.52	V
Threshold for line range detection $V_{in}$ decreasing (2 <sup>nd</sup> to 1 <sup>st</sup> valley or 1 <sup>st</sup> to 3 <sup>rd</sup> transition for $V_{REF} > 0.375\text{ V}$ )	$V_{VIN}$ decreases	$V_{LL}$	2.18	2.3	2.42	V
Blanking time for line range detection		$t_{HL(\text{blank})}$	15	25	35	ms
Valley thresholds ( $V_{REF} = 500\text{ mV}$ )						mV
1 <sup>st</sup> to 2 <sup>nd</sup> valley transition at LL and 2 <sup>nd</sup> to 3 <sup>rd</sup> valley HL (3 <sup>rd</sup> to 4 <sup>th</sup> valley HL for version B) $V_{REF}$ decreases	$V_{REF}$ decreases	$V_{VLY1-2/2-3}$	350	373	396	
2 <sup>nd</sup> to 1 <sup>st</sup> valley transition at LL and 3 <sup>rd</sup> to 2 <sup>nd</sup> valley HL (4 <sup>th</sup> to 3 <sup>rd</sup> valley HL for version B), $V_{REF}$ incr.	$V_{REF}$ increases	$V_{VLY2-1/3-2}$	366	390	414	
2 <sup>nd</sup> to 4 <sup>th</sup> valley transition at LL and 3 <sup>rd</sup> to 5 <sup>th</sup> valley HL (4 <sup>th</sup> to 6 <sup>th</sup> valley HL for version B), $V_{REF}$ decr.	$V_{REF}$ decreases	$V_{VLY2-4/3-5}$	231	248	265	
4 <sup>th</sup> to 2 <sup>nd</sup> valley transition at LL and 5 <sup>th</sup> to 3 <sup>rd</sup> valley HL (6 <sup>th</sup> to 4 <sup>th</sup> valley HL for version B), $V_{REF}$ incr.	$V_{REF}$ increases	$V_{VLY4-2/5-3}$	249	267	285	
4 <sup>th</sup> to 7 <sup>th</sup> valley transition at LL and 5 <sup>th</sup> to 8 <sup>th</sup> valley HL (6 <sup>th</sup> to 9 <sup>th</sup> valley HL for version B), $V_{REF}$ decr.	$V_{REF}$ decreases	$V_{VLY4-7/5-8}$	–	150	–	
7 <sup>th</sup> to 4 <sup>th</sup> valley transition at LL and 8 <sup>th</sup> to 5 <sup>th</sup> valley HL (9 <sup>th</sup> to 6 <sup>th</sup> valley HL for version B), $V_{REF}$ incr.	$V_{REF}$ increases	$V_{VLY7-4/8-5}$	–	165	–	
7 <sup>th</sup> to 11 <sup>th</sup> valley transition at LL and 8 <sup>th</sup> to 12 <sup>th</sup> valley HL (9 <sup>th</sup> to 13 <sup>th</sup> valley HL for version B), $V_{REF}$ decr.	$V_{REF}$ decreases	$V_{VLY7-11/8-12}$	–	75	–	
11 <sup>th</sup> to 7 <sup>th</sup> valley transition at LL and 12 <sup>th</sup> to 8 <sup>th</sup> valley HL (13 <sup>th</sup> to 9 <sup>th</sup> valley HL for version B), $V_{REF}$ incr.	$V_{REF}$ increases	$V_{VLY11-7/12-8}$	–	100	–	
11 <sup>th</sup> to 13 <sup>th</sup> valley transition at LL and 12 <sup>th</sup> to 15 <sup>th</sup> valley HL (13 <sup>th</sup> to 16 <sup>th</sup> valley HL for version B), $V_{REF}$ decr.	$V_{REF}$ decreases	$V_{VLY11-13/12-15}$	–	30	–	
13 <sup>th</sup> to 11 <sup>th</sup> valley transition at LL and 15 <sup>th</sup> to 12 <sup>th</sup> valley HL (16 <sup>th</sup> to 13 <sup>th</sup> valley HL for version B), $V_{REF}$ incr.	$V_{REF}$ increases	$V_{VLY13-11/15-12}$	–	40	–	
Valley thresholds in percentage of $V_{REF}$						%
1 <sup>st</sup> to 2 <sup>nd</sup> valley transition at LL and 2 <sup>nd</sup> to 3 <sup>rd</sup> valley HL (3 <sup>rd</sup> to 4 <sup>th</sup> valley HL for version B) $V_{REF}$ decreases	$V_{REF}$ decreases	$V_{VLY1-2/2-3}$	70	74.5	79	
2 <sup>nd</sup> to 1 <sup>st</sup> valley transition at LL and 3 <sup>rd</sup> to 2 <sup>nd</sup> valley HL (4 <sup>th</sup> to 3 <sup>rd</sup> valley HL for version B), $V_{REF}$ incr.	$V_{REF}$ increases	$V_{VLY2-1/3-2}$	73	78	83	
2 <sup>nd</sup> to 4 <sup>th</sup> valley transition at LL and 3 <sup>rd</sup> to 5 <sup>th</sup> valley HL (4 <sup>th</sup> to 6 <sup>th</sup> valley HL for version B), $V_{REF}$ decr.	$V_{REF}$ decreases	$V_{VLY2-4/3-5}$	46	49.5	53	
4 <sup>th</sup> to 2 <sup>nd</sup> valley transition at LL and 5 <sup>th</sup> to 3 <sup>rd</sup> valley HL (6 <sup>th</sup> to 4 <sup>th</sup> valley HL for version B), $V_{REF}$ incr.	$V_{REF}$ increases	$V_{VLY4-2/5-3}$	50	53.5	57	
4 <sup>th</sup> to 7 <sup>th</sup> valley transition at LL and 5 <sup>th</sup> to 8 <sup>th</sup> valley HL (6 <sup>th</sup> to 9 <sup>th</sup> valley HL for version B), $V_{REF}$ decr.	$V_{REF}$ decreases	$V_{VLY4-7/5-8}$	–	30	–	
7 <sup>th</sup> to 4 <sup>th</sup> valley transition at LL and 8 <sup>th</sup> to 5 <sup>th</sup> valley HL (9 <sup>th</sup> to 6 <sup>th</sup> valley HL for version B), $V_{REF}$ incr.	$V_{REF}$ increases	$V_{VLY7-4/8-5}$	–	33	–	
7 <sup>th</sup> to 11 <sup>th</sup> valley transition at LL and 8 <sup>th</sup> to 12 <sup>th</sup> valley HL (9 <sup>th</sup> to 13 <sup>th</sup> valley HL for version B), $V_{REF}$ decr.	$V_{REF}$ decreases	$V_{VLY7-11/8-12}$	–	15	–	
11 <sup>th</sup> to 7 <sup>th</sup> valley transition at LL and 12 <sup>th</sup> to 8 <sup>th</sup> valley HL (13 <sup>th</sup> to 9 <sup>th</sup> valley HL for version B), $V_{REF}$ incr.	$V_{REF}$ increases	$V_{VLY11-7/12-8}$	–	20	–	
11 <sup>th</sup> to 13 <sup>th</sup> valley transition at LL and 12 <sup>th</sup> to 15 <sup>th</sup> valley HL (13 <sup>th</sup> to 16 <sup>th</sup> valley HL for version B), $V_{REF}$ decr.	$V_{REF}$ decreases	$V_{VLY11-13/12-15}$	–	6	–	
13 <sup>th</sup> to 11 <sup>th</sup> valley transition at LL and 15 <sup>th</sup> to 12 <sup>th</sup> valley HL (16 <sup>th</sup> to 13 <sup>th</sup> valley HL for version B), $V_{REF}$ incr.	$V_{REF}$ increases	$V_{VLY13-11/15-12}$	–	8	–	

4. Guaranteed by design

# NCP1370

**Table 4. ELECTRICAL CHARACTERISTICS** (Unless otherwise noted: For typical values  $T_J = 25^\circ\text{C}$ ,  $V_{CC} = 12\text{ V}$ )  
For min/max values  $T_J = -40^\circ\text{C}$  to  $+125^\circ\text{C}$ , Max  $T_J = 150^\circ\text{C}$ ,  $V_{CC} = 12\text{ V}$ )

Description	Test Condition	Symbol	Min	Typ	Max	Unit
<b>DIMMING SECTION</b>						
DIM pin voltage for zero output current (OFF voltage)	$V_{DIM}$ decreasing	$V_{DIM(EN)}$	0.67	0.7	0.73	V
$V_{DIM(EN)}$ comparator hysteresis	$V_{DIM}$ increasing	$V_{EN(HYS)}$	–	50	–	mV
DIM pin voltage for maximum output current ( $T_J = -40$ to $125^\circ\text{C}$ )		$V_{DIM100}$	2.9	3	3.1	V
DIM pin voltage for maximum output current at $T_J = 25^\circ\text{C}$		$V_{DIM100}$	2.94	3	3.06	V
Dimming range		$V_{DIM(\text{range})}$	–	2.3	–	V
Clamping voltage for DIM pin		$V_{DIM(\text{CLP})}$	–	7	–	V
Dimming pin pull-up current source		$I_{DIM(\text{pullup})}$	–	5	–	$\mu\text{A}$
<b>THERMAL SHUTDOWN</b>						
Thermal Shutdown (Note 4)	Device switching ( $F_{SW}$ around 65 kHz)	$T_{SHDN}$	130	150	170	$^\circ\text{C}$
Thermal Shutdown Hysteresis (Note 4)		$T_{SHDN(HYS)}$	–	50	–	$^\circ\text{C}$
<b>BROWN-OUT AND OVP</b>						
Brown-Out ON level (IC start pulsing)	$V_{VIN}$ increasing	$V_{BO(\text{on})}$	0.90	1	1.10	V
Brown-Out OFF level (IC shuts down)	$V_{VIN}$ decreasing	$V_{BO(\text{off})}$	0.85	0.9	0.95	V
BO comparators delay		$t_{BO(\text{delay})}$	–	30	–	$\mu\text{s}$
Brown-Out blanking time for version A		$t_{BO(\text{blank1})}$	1.4	2	2.6	ms
Brown-Out blanking time for version B		$t_{BO(\text{blank2})}$	50	100	150	$\mu\text{s}$
Brown-out pin bias current		$I_{BO(\text{bias})}$	–250	–	250	nA
Clamped voltage (VIN pin left open)	VIN pin open	$V_{VIN(\text{clamp})}$	3.9	4.1	4.3	V
VIN pin Clamp series resistor		$R_{VIN(\text{clamp})}$		1		k $\Omega$
VIN pin detection level for OVP	$V_{VIN}$ increasing	$V_{OVP}$	4.75	5	5.25	V
Delay before OVP confirmation		$t_{OVP(\text{delay})}$		50		$\mu\text{s}$
Adjustable OVP auto-recovery timer (version B)		$t_{OVP(\text{recovery1})}$		1		s
Adjustable OVP auto-recovery timer (version A)		$t_{OVP(\text{recovery2})}$		4		s

4. Guaranteed by design

## Application Information

The NCP1370 is a LED driver for flyback and non-isolated buck-boost / SEPIC converters. It implements a current-mode architecture quasi-resonant architecture to prevent valley-jumping instability. A proprietary circuitry ensures accurate regulation of the output current without the need of a secondary side feedback. The circuit features powerful protections to ensure a robust LED driver design without the need of extra external components or overdesign.

- **Quasi-Resonance Current-Mode Operation:** implementing quasi-resonance operation in peak current-mode control, the NCP1370 optimizes the efficiency by switching in the valley of the MOSFET drain-source voltage. Thanks to smart control algorithm, the controller locks-out in a selected valley and remains locked until the input voltage or the output current set point significantly changes.
- **Primary Side Constant Current Control:** thanks to a proprietary circuit, the controller accurately controls the output current without requiring a secondary side feedback (no optocoupler needed). An output current deviation below  $\pm 2\%$  is typically obtained.
- **VCC Over Voltage Protection:** if the voltage on VCC pin exceeds an internal limit, the controller shuts down and waits 4 seconds before restarting pulsing (version B) or stays latched (A version).
- **Adjustable peak current limit:** the cycle-by-cycle maximum peak current limit and the second over current protection level can be adjusted externally by connecting a resistor between ILIM pin and ground.
- **Brown-Out:** the controller includes a brown-out circuit which safely stops the controller in case the input voltage is too low. The device will automatically restart if the line recovers.
- **Adjustable Over voltage protection:** By connecting a zener diode to the VIN pin, an adjustable over voltage protection can be implemented to protect against open LEDs. Upon detection, the controller waits 4 s (version A) or 1 s (version B) before attempting to restart switching.
- **Cycle-by-cycle peak current limit:** when the current sense voltage exceeds pin ILIM voltage  $V_{ILIM}$ , the

MOSFET is turned off for the rest of the switching cycle.

- **Winding Short-Circuit Protection (2<sup>nd</sup> over current protection level):** an additional comparator with a short LEB filter ( $t_{BCS}$ ) senses the CS signal and stops the controller if  $V_{CS}$  reaches 140% of  $V_{ILIMIT}$ . For noise immunity reasons, this comparator is enabled only during the main LEB duration  $t_{LEB}$ .
- **Output Short-circuit protection:** If a very low voltage is applied on ZCD pin for 90 ms (nominal), the controllers assume that the output or the ZCD pin is shorted to ground and enters shutdown. After waiting for 4 seconds, the controller restarts switching.
- **Linear or PWM dimming:** the DIM pin allows implementing both analog and PWM dimming.
- **OFF Mode:** The IC enters in OFF mode after detecting a fault and whenever the DIM pin voltage stays low during more than 4 seconds. In this mode, the IC is off and has a reduced current consumption. This allows simplifying the PCB design around the ON/OFF opto-coupler.
- **Floating or Short pin detection:** The NCP1370 protections help passing safety tests. For instance, the circuit stops operating when the CS pin is grounded or when the GND pin is open.

### Constant Current Control

Capitalizing on the constant current control technique developed in the NCL3008X product, the NCP1370 accurately regulates the output current of a flyback converter from its primary side.

By connecting the clamping capacitor of the flyback converter to the sense resistor as shown in the typical application schematic (Figure 1), we have an image of the drain current waveform and of the leakage inductance current waveform. Thus, by looking at the current sense pin waveform, the controller is able to detect the reset of the transformer leakage inductance. Indeed, the leakage inductance limits the output rectifier peak current as shown in Figure 3 where it is shown that:  $N_{sp} * I_{D,pk} < I_{L,pk}$ .

Also, by monitoring the auxiliary winding voltage through the ZCD pin, we can detect the end of conduction of the secondary rectifier.



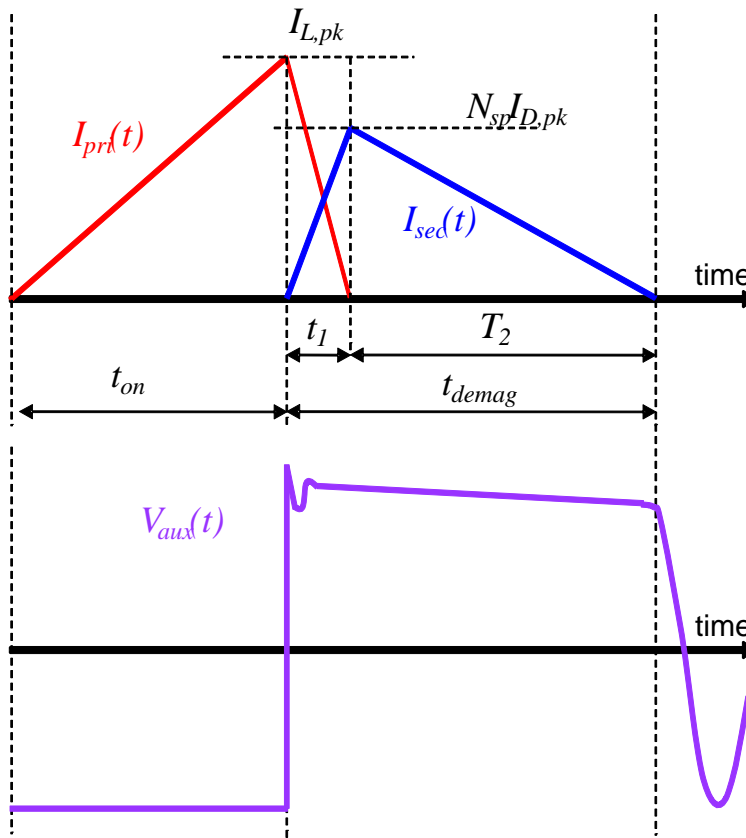


Figure 3. Flyback Currents and Auxiliary Winding Voltage in DCM

The constant current control block picks up the leakage inductor current, the end of conduction of the output rectifier and controls the drain current to maintain the output current constant.

We have:

$$I_{out} = \frac{V_{REF}}{2N_{sp}R_{sense}} \quad (\text{eq. 1})$$

Where:

- $V_{REF}$  is the output current internal reference
- $N_{sp}$  is the secondary to primary transformer turns ratio:  
 $N_{sp} = N_s / N_p$
- $R_{sense}$  is the current sense resistor

The output current value is set by choosing the sense resistor:

$$R_{sense} = \frac{V_{REF}}{2N_{sp}I_{out}} \quad (\text{eq. 2})$$

From (Equation 1), the first key point is that the output current is independent of the inductor value. Moreover, the leakage inductance does not influence the output current value as the reset time is taken into account by the controller.

#### Soft-Start

At startup or after recovering from a fault, there is a small internal soft-start of 200  $\mu$ s maximum.

In addition, during startup, as the output voltage is zero volts, the demagnetization time is long and the constant current control block will slowly increase the peak current towards its nominal value as the output voltage grows. Figure 5 shows a soft-start simulation example for a 9 W LED power supply.

# NCP1370

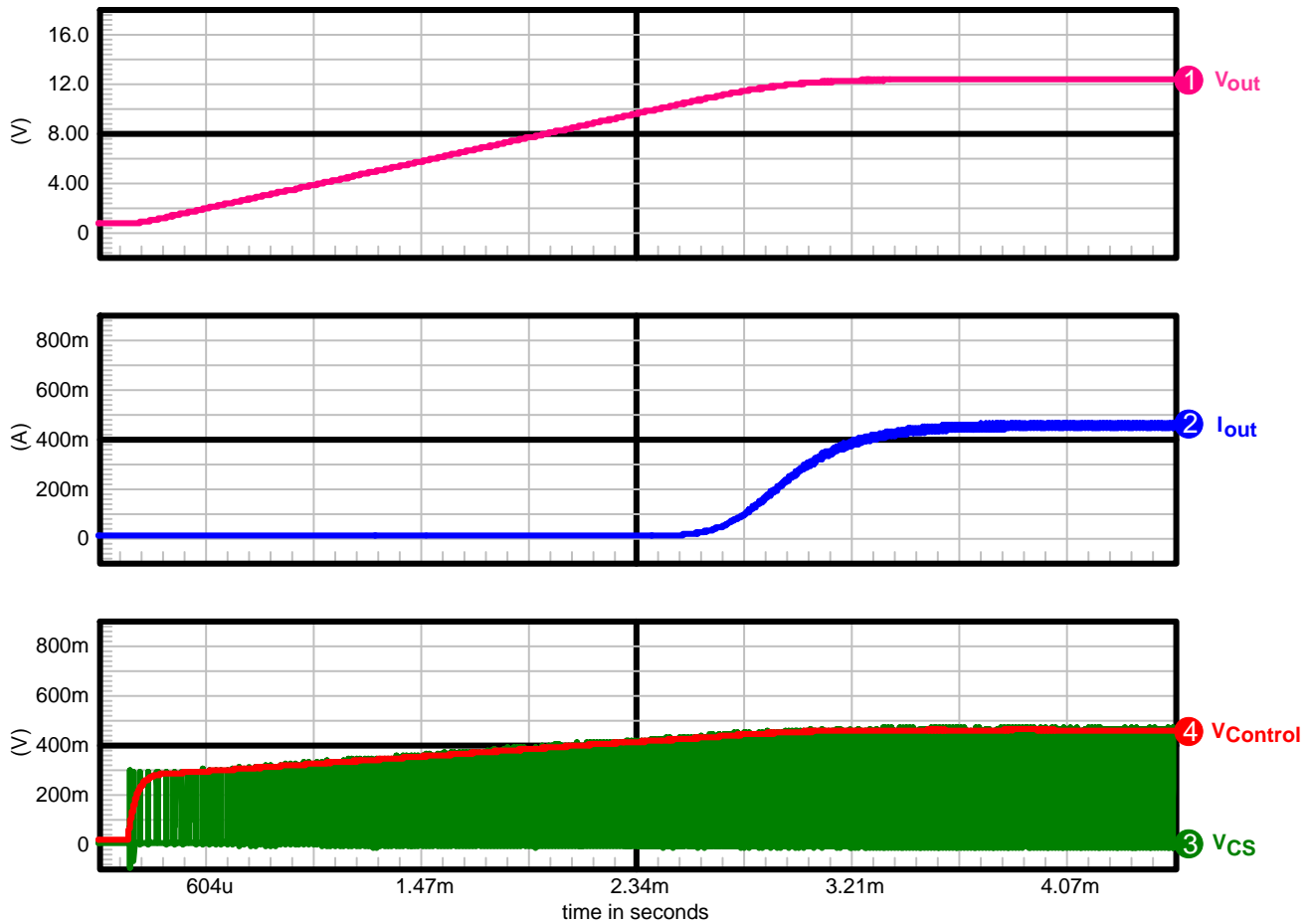


Figure 4. Startup Simulation showing the Natural Soft-start

## Adjustable Cycle-by-Cycle Current Limit

The pin ILIM allows adjusting the threshold for maximum peak current limit  $V_{ILIMIT}$  and also the 2<sup>nd</sup> over current protection (OCP2) threshold  $V_{CS(stop)}$  which helps protecting against short circuit of the secondary winding or of the output diode.

More precisely, the maximum peak current threshold  $V_{ILIMIT}$  is equal to the ILIM pin voltage and  $V_{CS(stop)}$  value is derived from  $V_{ILIMIT}$ . By connecting a resistor between ILIM and GND pins, the value of internal cycle-by-cycle current limit  $V_{ILIMIT}$  is:

$$V_{ILIMIT} = V_{ILIM} = I_{LIM(REF)} R_{ILIM} \quad (\text{eq. 3})$$

The threshold for immediate short circuit protection  $V_{CS(stop)}$  is given by:

$$V_{CS(stop)} = 1.4 \cdot V_{ILIMIT} \quad (\text{eq. 4})$$

Practically,  $V_{ILIMIT}$  can be adjusted from 0.5 V to 2.6 V, meaning  $V_{CS(stop)}$  range is from 0.7 V to 3.64 V.

When the current sense voltage exceeds the internal threshold  $V_{ILIMIT}$ , the MOSFET is turned off for the rest of the switching cycle. Figure 5 shows the schematic of ILIM pin.

# NCP1370

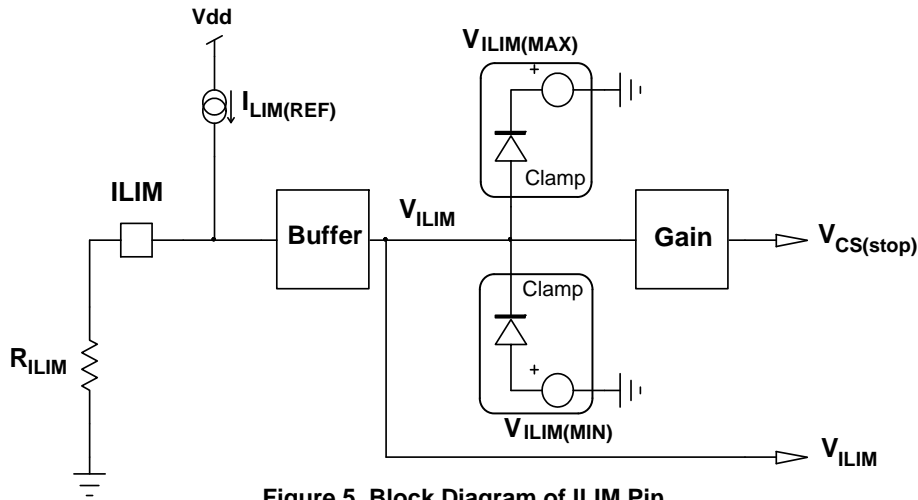


Figure 5. Block Diagram of ILIM Pin

The cycle-by-cycle peak current limit threshold  $V_{ILIMIT}$  also set the maximum duty cycle for a given application.

The maximum duty cycle is given by:

$$D_{MAX} = 1 - \frac{V_{REF}}{V_{ILIMIT}} - \frac{t_v}{T_{sw}} \quad (\text{eq. 5})$$

Where:

- $t_v$  is the valley duration
- $T_{sw}$  is the switching period

For switching frequencies below 100 kHz, the term  $t_v/T_{sw}$  can be neglected:

$$D_{MAX} \approx 1 - \frac{V_{REF}}{V_{ILIMIT}} \quad (\text{eq. 6})$$

## Winding and Output diode Short-Circuit Protection (OCP2)

In parallel with the cycle-by-cycle sensing of the CS pin, another comparator with a reduced LEB ( $t_{BCS}$ ) and a higher threshold ( $V_{CS(stop)}$ ) is able to sense winding short-circuit and stop the controller. In version B, the controller stops the DRV pulses after counting 4 cycles of  $V_{CS} > V_{CS(stop)}$ . The controller attempts to re-start after waiting 4 seconds. In version A, after counting 4 cycles of  $V_{CS} > V_{CS(stop)}$ , the controller stays latched.

The controller is unlatched by one of the 3 following events:

- $V_{CC} < V_{CC(off)}$
- Standby by  $V_{DIM} < V_{DIM(EN)}$  during 4 seconds
- $BO\_NOK$  becomes high

After being unlatched, the controller goes into OFF Mode.

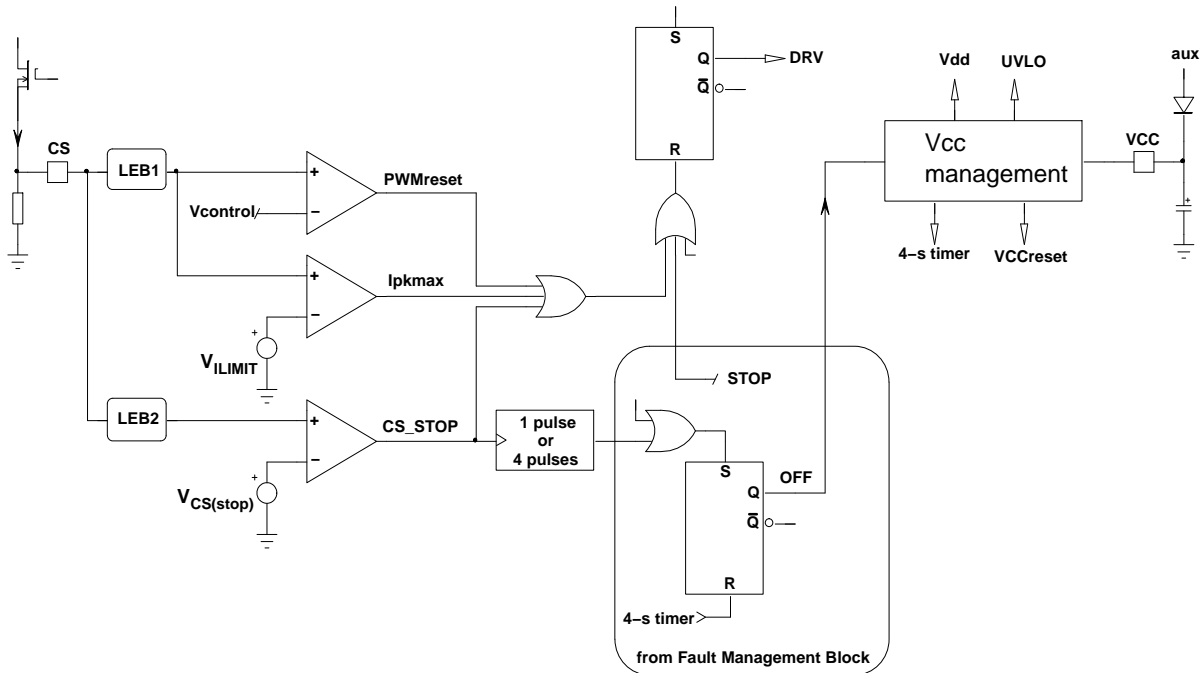


Figure 6. Winding Short Circuit Protection, Max. Peak Current Limit Circuits

**PWM or Linear Dimming Detection**

The pin DIM allows dimming the LED light. Analog dimming or digital (PWM) dimming can be used.

If the power supply designer apply an analog signal varying from  $V_{DIM(EN)}$  to  $V_{DIM100}$  to the DIM pin, the output current will increase or decrease proportionally to the voltage applied. For  $V_{DIM} = V_{DIM100}$ , the power supply delivers the maximum output current.

If a voltage lower than  $V_{DIM(EN)}$  is applied to the DIM pin, the DRV pulses are disabled. Thus, for digital dimming, a PWM signal with a low state value lower than  $V_{DIM(EN)}$  and a high state value higher than  $V_{DIM100}$  should be applied.

The DIM pin is pulled up internally by a small current source or resistor. Thus, if the pin is left open, the controller is able to start.

**Soft Stop during PWM Dimming**

The NCP1370 features an internal soft-stop of 200  $\mu$ s maximum in order to compensate the output current decrease caused by the soft-start during PWM dimming.

Practically, when  $V_{DIM} < V_{DIM(EN)}$ , the controller decreases the peak current from its current state to nearly zero before stopping the DRV pulses.

This allows having a very good correlation between the dimming duty-cycle and the output current value when dimming at low duty-cycle.

Also, it is important to note that for good correlation between the dimming duty-cycle (which represent the expected output current value relative to the nominal value) and the actual measured output current, the high state duration of the dimming signal should not be below 200  $\mu$ s.

Figure 8 shows the drain source waveform during soft-stop.

**OFF Mode with DIM Pin**

The OFF Mode is entered when  $V_{DIM}$  stays below  $V_{DIM(EN)}$  for 4 seconds. In this mode, IC consumption is reduced to  $I_{CC(off)}$  (below 50  $\mu$ A). The OFF mode is exited only when  $V_{DIM}$  becomes higher than  $V_{DIM(EN)} + V_{EN(HYS)}$ .

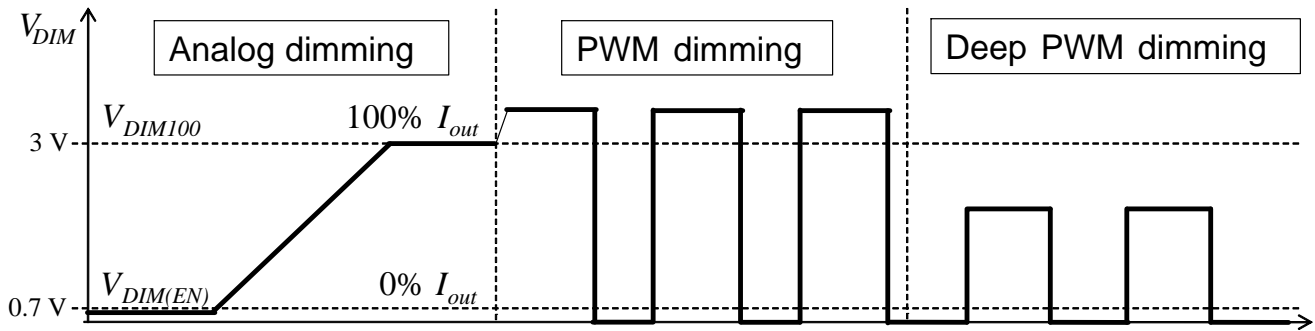


Figure 7. Pin DIM Chronograms

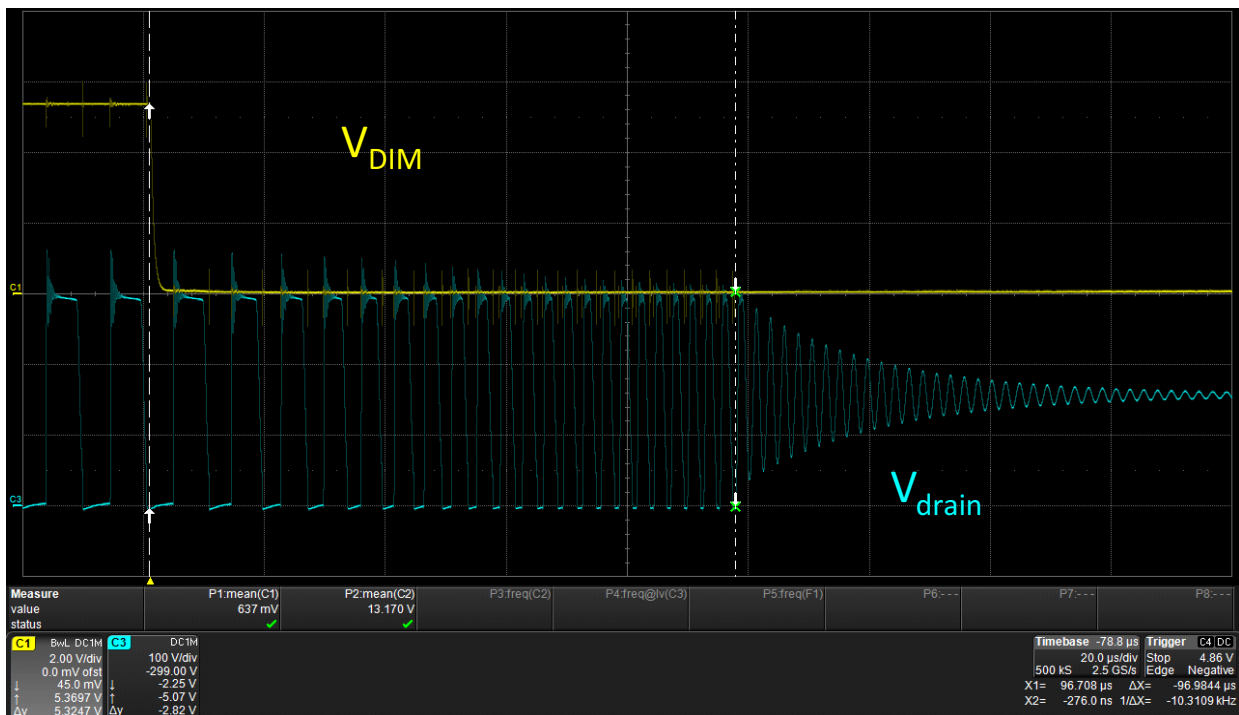


Figure 8. Soft-stop

**V<sub>CC</sub> Over Voltage Protection**

In order to protect itself against too high supply voltage, the controller features an over voltage protection for the V<sub>CC</sub> pin. When the V<sub>CC</sub> voltage reaches the V<sub>CC(OVP)</sub> threshold, the controller stops the DRV pulses and shutdown. Depending on the version, the controller goes in auto-recovery mode (version B) or in latched mode (version A).

In the auto-recovery mode, the controller waits 4 s and tries to re-start. In order to restart pulsing, the controller

goes through a complete sequence OFF Mode → FAULT Mode (see Fault Management section for more information)

In the latched mode, the controller stops pulsing and waits that one of the 3 following events occurs to reset the latch:

- V<sub>CC</sub> < V<sub>CC(off)</sub>
- Standby by V<sub>DIM</sub> < V<sub>DIM(EN)</sub> during 4 seconds
- BO\_NOK becomes high

When the OVP Latch is reset, the controller goes into OFF Mode.

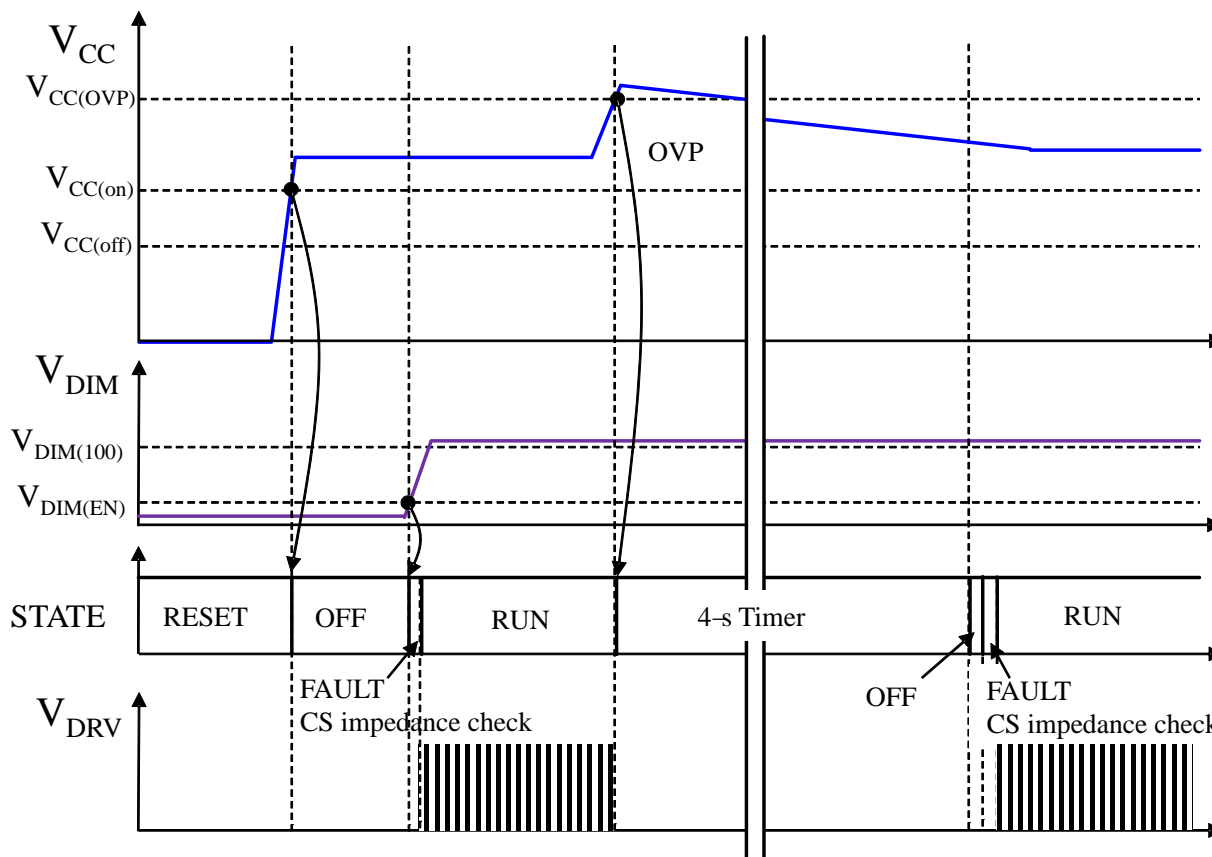


Figure 9. V<sub>CC</sub> Over Voltage Protection Chronograms

**Valley Selection**

Quasi-Square wave resonant systems have a wide switching frequency excursion. The switching frequency increases when the output load decreases or when the input voltage increases. The switching frequency of such systems must be limited.

The NCP1370 changes valley as the input voltage increases and as the output current set-point is varied during dimming. This limits the switching frequency excursion. Once a valley is selected, the controller stays locked in the valley until the input voltage or the output current set-point varies significantly.

The input voltage is sensed by the VIN pin. The internal logic selects the operating valley according to VIN pin voltage and DIM pin voltage.

By default, when the output current is not dimmed, the controller operates in the first valley at low line and in the second valley at high line for version A. For version B, the controller operates in the 3<sup>rd</sup> valley at high line. Table 5 summarizes the valley selected by the controller as a function of the output current and the input voltage. The numbers in blue are the selected valleys for version B.

Table 5. VALLEY SELECTION

$I_{out}$ value at which the controller changes valley ( $I_{out}$ decreasing)	VIN pin voltage for valley change		$I_{out}$ value at which the controller changes valley ( $I_{out}$ increasing)
	$V_{VIN}$ decreases 0 -- LL -- 2.3 V -- HL -- 5 V		
$I_{out}$ decreases ↓ 100% 75% 50% 30% 15% 6% 0%	1st	2nd (3rd)	$I_{out}$ increases ↑ 100% 78% 53% 33% 20% 8% 0%
	2nd	3rd (4th)	
	4th	5th (6th)	
	7th	8th (9th)	
	11th	12th (13th)	
	13th	15th (16th)	
	$V_{VIN}$ increases 0 -- LL -- 2.4 V -- HL -- 5 V		
	VIN pin voltage for valley change		

**Zero Crossing Detection Block**

The ZCD pin allows detecting when the drain–source voltage of the power MOSFET reaches a valley.

A valley is detected when the voltage on pin 1 crosses down the 55–mV internal threshold.

In order to decrease the capacitor value needed on ZCD pin to turn–on the MOSFET right in the valley or in some case remove it, a small delay (250 ns) is added internally before turning–on the MOSFET.

At startup or in case of extremely damped free oscillations, the ZCD comparator may not be able to detect the valleys. To avoid such a situation, the NCP1370 features a Time–Out circuit that generates pulses if the voltage on ZCD pin stays below the 55–mV threshold for 6.5  $\mu$ s.

The Time–out also acts as a substitute clock for the valley detection and simulates a missing valley in case of too damped free oscillations (Figure 11).

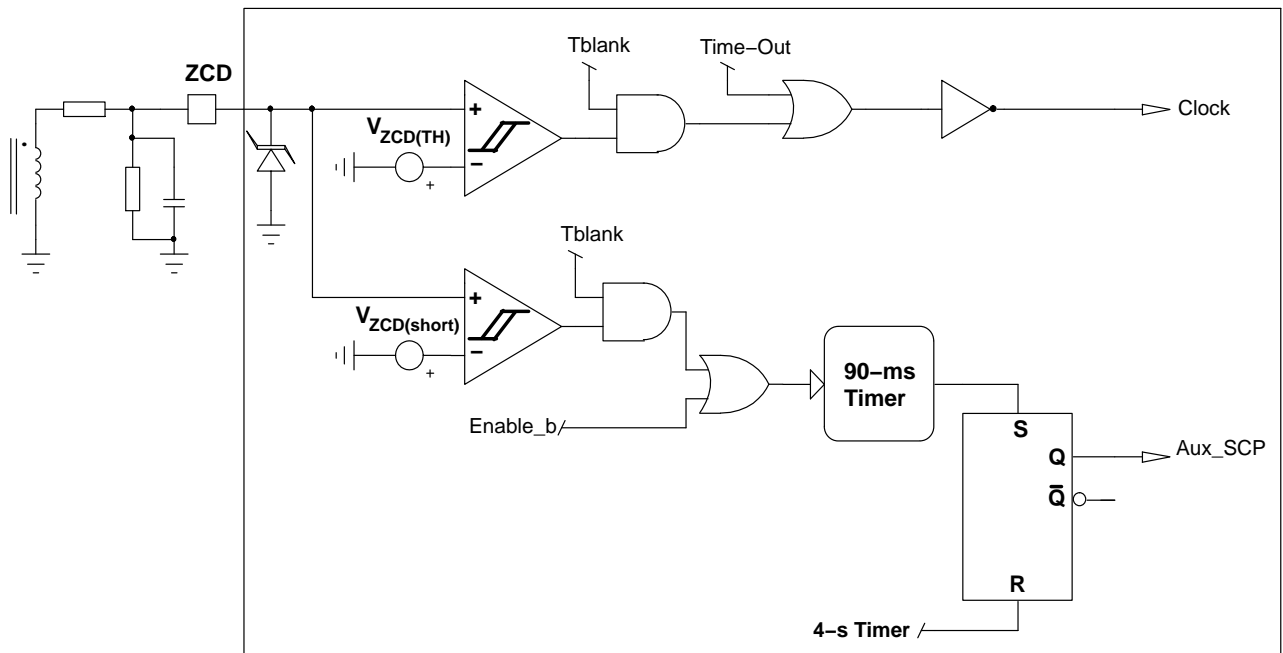


Figure 10. ZCD Block Schematic

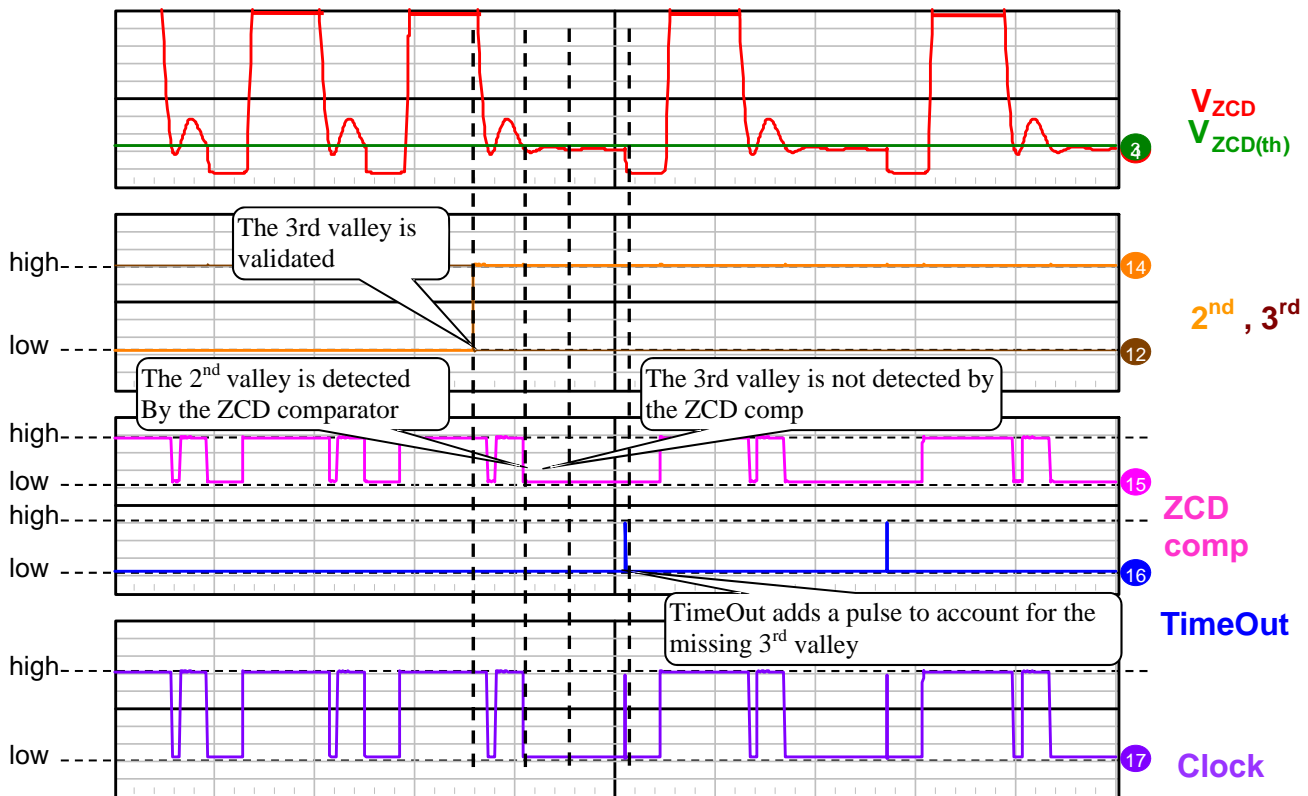


Figure 11. Time-out Chronograms

**Output Short Circuit Protection**

Because of the time-out function, if the ZCD pin or the auxiliary winding is shorted, the controller will continue switching leading to improper regulation of the LED current.

Moreover during an output short circuit, the controller will strive to maintain the constant current operation.

In order to avoid these scenarios, a secondary timer starts counting when the ZCD voltage is below the  $V_{ZCD(short)}$  threshold (Figure 10). If this timer reaches 90 ms, the controller detects a fault and enters the auto-recovery fault mode: the controller stops pulsing and waits 4-s before going through a complete startup sequence.

This protection is disabled when  $V_{DIM} < V_{DIM(EN)}$ .

**Line Feed-Forward**

Because of the propagation delays, the MOSFET is not turned-off immediately when the current set-point is reached. As a result, the primary peak current is higher than expected and the output current increases. To compensate the peak current increase brought by the propagation delays, a positive voltage proportional to the line voltage is added on the current sense signal. The amount of offset voltage can be adjusted using the  $R_{CS}$  resistor as shown in Figure 12.

$$V_{CS(offset)} = K_{LFF} V_{pinVIN} R_{CS} \quad (eq. 7)$$

The offset voltage is applied only during the MOSFET on-time.

This offset voltage is always applied over the load range.

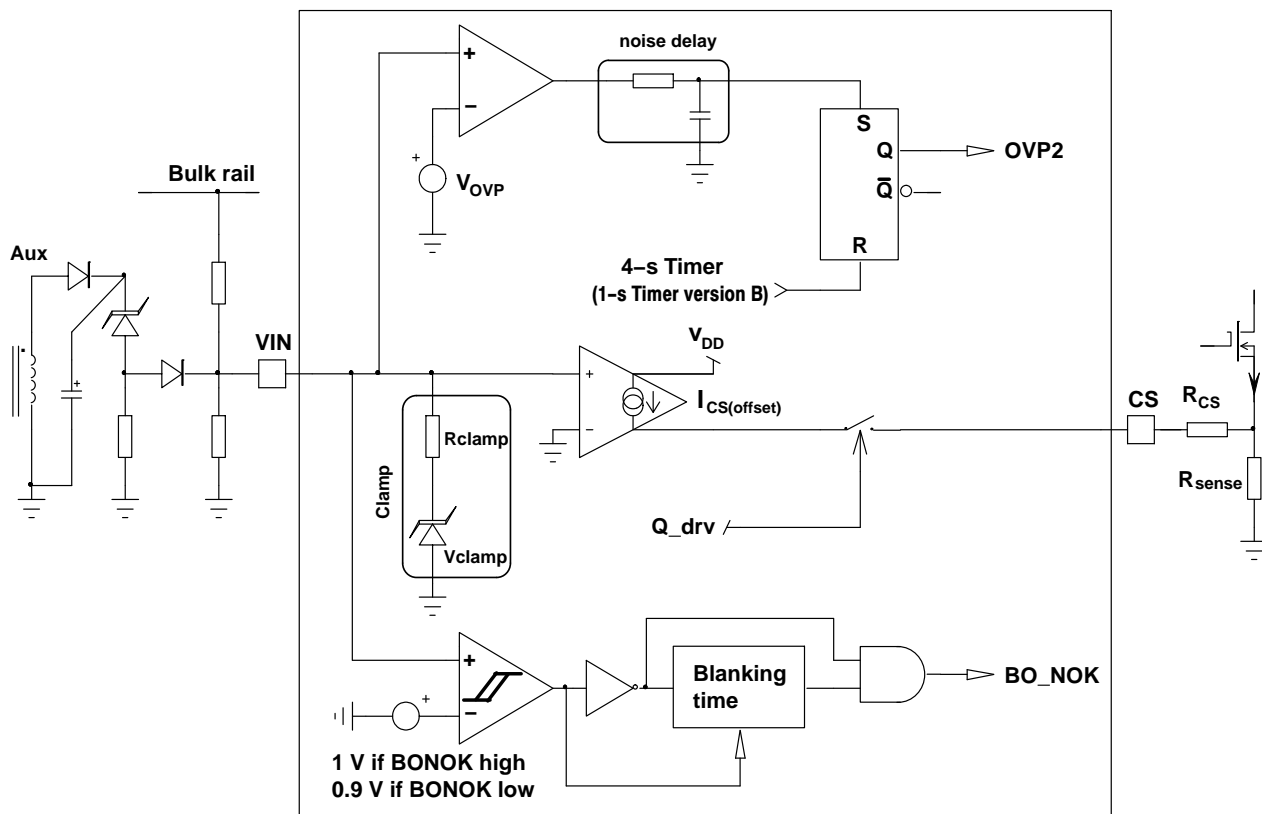


Figure 12. Line Feed-Forward, Adjustable OVP and Brown-out Schematic

### Adjustable Over Voltage Protection

A clamping circuit on VIN pin limits the voltage excursion to 4.1 V (Figure 12). This level is high enough to allow good linearity of the line feedforward current for universal mains applications with an input voltage up to 265 V rms.

When the zener diode starts conducting, it injects current inside the clamping circuit and the voltage on VIN pin increases. When  $V_{VIN}$  exceeds  $V_{OVP}$  during  $t_{OVP(delay)}$ , the circuit detects an over voltage condition and stops the DRV pulses. The controller waits until the OVP timer ( $t_{OVP(recovery)}$ ) has elapsed (4 s for version A, 1 s for version B) and restarts switching.

### Brown-out

In order to protect the supply against a very low input voltage, the NCP1370 features a brown-out circuit with a fixed ON/OFF threshold (Figure 12). The controller is allowed to start if a voltage higher than 1 V is applied to the VIN pin and shuts-down if the VIN pin voltage decreases and stays below 0.9 V when the BO blanking timer has elapsed (BO\_NOK high). When a brown-out condition is detected, the circuit stops pulsing and goes into the OFF mode detailed in the “Fault Management Section”.

### Pin Connection Faults

#### • CS pin Short to ground

The circuit senses the CS pin impedance every time it starts-up. If the measured impedance does not exceed

110  $\Omega$  typically, the circuit does not start pulsing and shutdown. The circuit attempts to restart after waiting 4 seconds. In practice, it is recommended to place a minimum of 250  $\Omega$  in series between the CS pin and the current sense resistor to take into account parasitic component effect and electrical parameters tolerance.

#### • Fault of GND pin connection

If the GND pin is properly connected, the current drawn from the positive terminal of the  $V_{CC}$  capacitor flows out of the GND pin to return to the negative terminal of the  $V_{CC}$  capacitor. If the GND pin is not connected, the circuit ESD diodes offer another return path. The accidental non-connection of the GND pin is monitored by detecting that one of the ESD diode is conduction. Practically, the ESD diode of CS pin is monitored. If such a fault is detected for 200  $\mu s$ , the circuit stops generating DRV pulses.

### Fault Management and Startup Sequence

Figure 13 and Figure 14 shows the state diagrams of the NCP1370.

#### OFF Mode

At startup, as long as  $V_{CC}$  is not high enough, the controller is reset. Its current consumption is  $I_{CC(start)}$ . When  $V_{CC} > V_{CC(on)}$ , the controller goes in OFF mode and waits for the enable signal ( $V_{DIM} > V_{DIM(EN)}$ ). In OFF mode, the IC consumption is very low (50  $\mu A$  maximum).



# NCP1370

The OFF mode is exited only if  $V_{CC} > V_{CC(on)}$  and  $V_{DIM} > V_{DIM(EN)}$ . The controller then goes in FAULT mode.

More generally, the OFF mode is entered upon the following events:

- $V_{CC} < V_{CC(off)}$
- Brown-out edge
- $V_{DIM} < V_{DIM(EN)}$  after 4 seconds
- Die over temperature (TSD)
- The 4-s auto-recovery timer has elapsed

## FAULT Mode

In this mode, the controller measures CS pin impedance. If CS pin is not shorted the controller is allowed to start the DRV pulses. If CS pin is shorted, the controller starts the 4 seconds timer. No DRV pulse is generated in this mode.

## AR Mode

In the auto-recovery mode, the 4 seconds timer is counting, DRV is not pulsing. The 4 seconds timer starts counting when:

- $V_{DIM} < V_{DIM(EN)}$
- A short circuit on CS pin is detected
- $V_{CC} > V_{CC(OVP)}$

- An Output / Auxiliary winding Short circuit is detected: "Aux\_SCP high"
- Second OCP level triggered  
When the 4-s timer has elapsed, the controller goes in OFF Mode.

## Adjustable OVP Management

When the adjustable OVP on VIN pin is triggered, the controller stops the DRV pulses and starts the OVP2 Timer (4 s in version A, 1 s in version B).

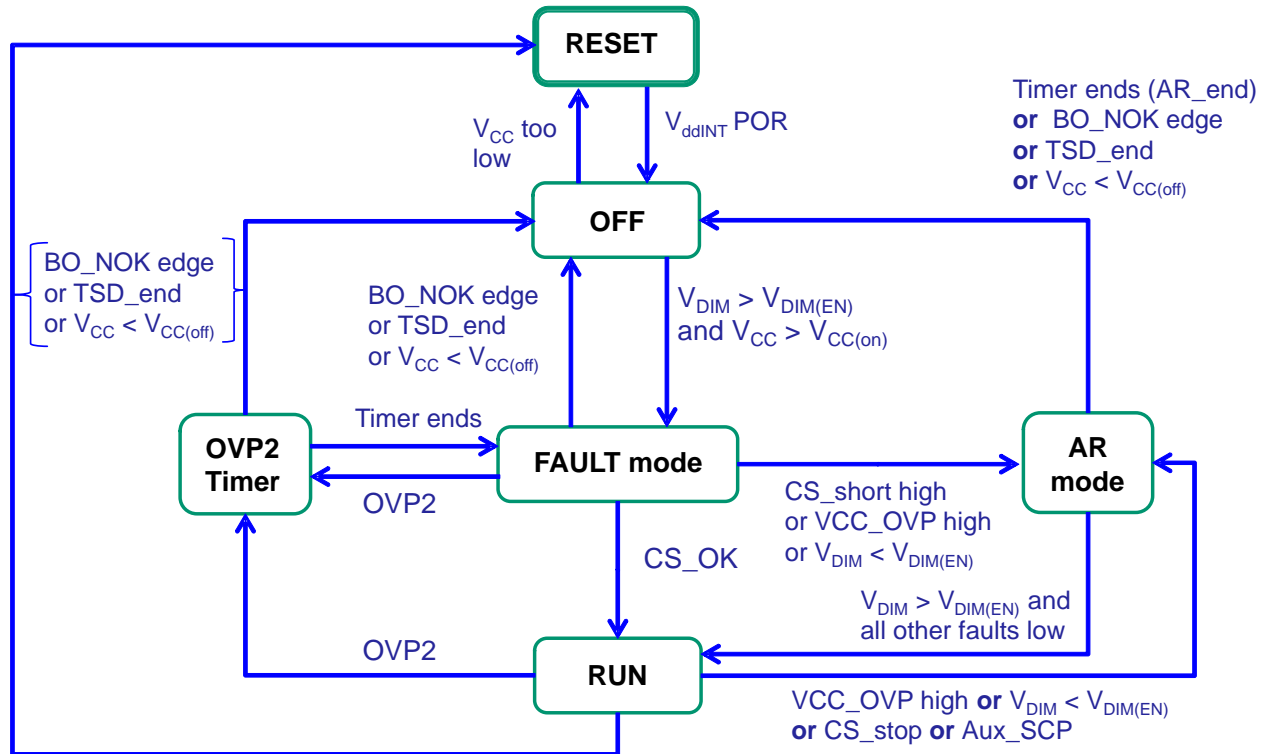
When the OVP2 timer has elapsed, the controller goes in FAULT mode and restart switching if no other fault is detected.

## Latched Protection ( $V_{CC}$ OVP, Output Diode Short Circuit Protection in Version A)

When  $V_{CC} > V_{CC(OVP)}$  or when the 2<sup>nd</sup> OCP is triggered, the DRV pulses stop and the controller is latched (Figure 14).

The Latch resets when one of the 3 following events occurs:

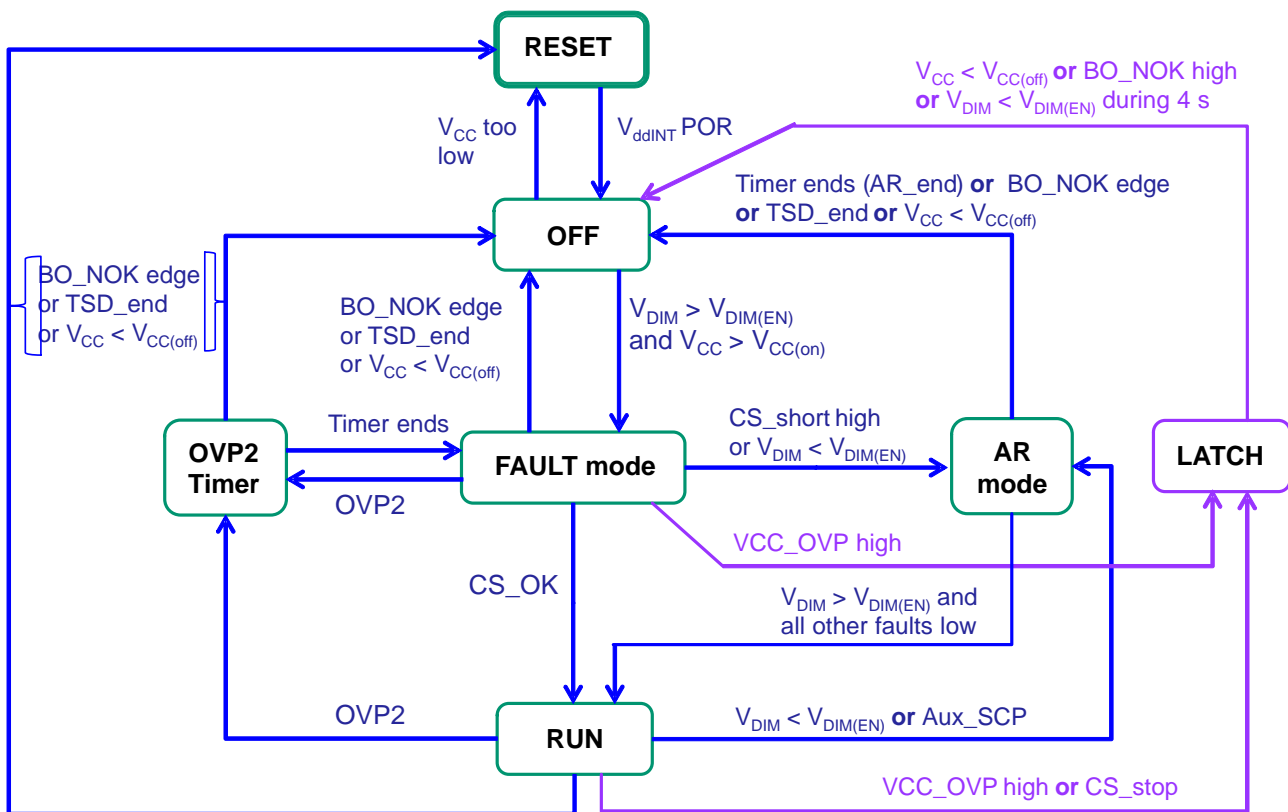
- $V_{CC} < V_{CC(off)}$
- $V_{DIM} < V_{DIM(EN)}$  during 4 seconds
- BO\_NOK becomes high



<b>With states:</b> RESET	→ Controller is dead
OFF	→ Controller is in OFF Mode, $I_{CC} = I_{CC(off)}$ (50 $\mu$ A max.)
FAULT Mode	→ No switching, $I_{CC} = I_{CC1}$
RUN	→ Controller is switching
AR Mode	→ the 4-s auto-recovery timer is counting, No switching
OVP2 Timer	→ The OVP2 Timer (4-s or 1-s) is counting, No DRV pulses

Figure 13. Fault State Diagram with Auto-recovery Faults

# NCP1370



<u>With states:</u> RESET	→ Controller is dead
OFF	→ Controller is in OFF Mode, $I_{CC} = I_{CC(off)}$ (50 $\mu$ A max.)
FAULT Mode	→ No switching, $I_{CC} = I_{CC1}$
RUN	→ Controller is switching
AR Mode	→ the 4-s auto-recovery timer is counting, No switching
OVP2 Timer	→ The OVP2 Timer (4-s or 1-s) is counting, No DRV pulses

Figure 14. Fault State Diagram with Latched Faults

## ORDERING INFORMATION

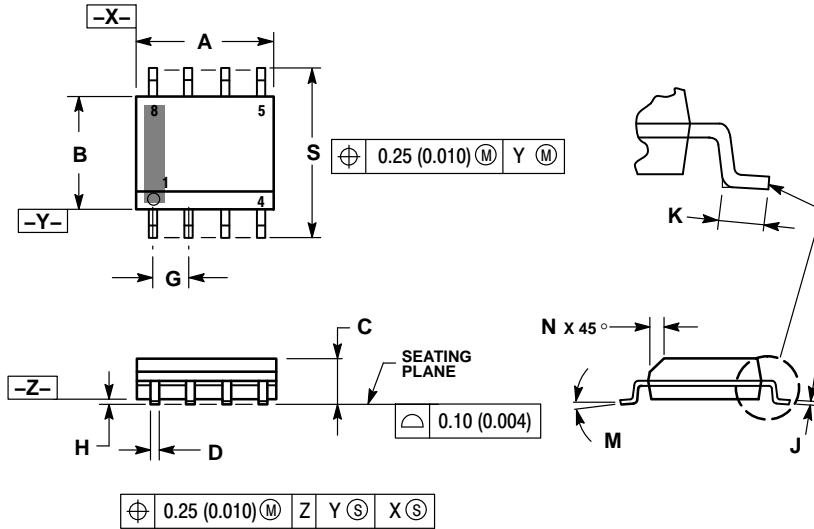
Device	Package Type	Shipping <sup>†</sup>
NCP1370BDR2G	SOIC-8 (Pb free)	2500 / Tape & Reel

<sup>†</sup>For information on tape and reel specifications, including part orientation and tape sizes, please refer to our Tape and Reel Packaging Specifications Brochure, BRD8011/D.

# NCP1370

## PACKAGE DIMENSIONS

SOIC-8 NB  
CASE 751-07  
ISSUE AK

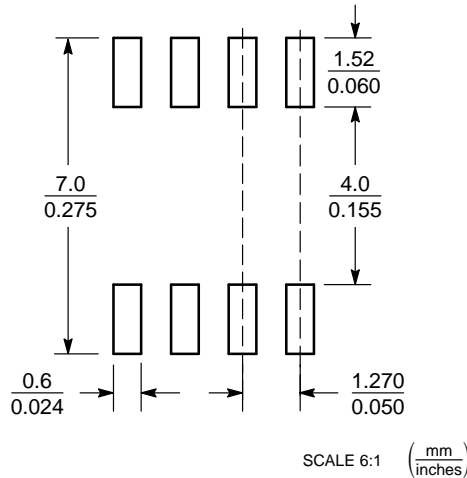


**NOTES:**

1. DIMENSIONING AND TOLERANCING PER ANSI Y14.5M, 1982.
2. CONTROLLING DIMENSION: MILLIMETER.
3. DIMENSION A AND B DO NOT INCLUDE MOLD PROTRUSION.
4. MAXIMUM MOLD PROTRUSION 0.15 (0.006) PER SIDE.
5. DIMENSION D DOES NOT INCLUDE DAMBAR PROTRUSION. ALLOWABLE DAMBAR PROTRUSION SHALL BE 0.127 (0.005) TOTAL IN EXCESS OF THE D DIMENSION AT MAXIMUM MATERIAL CONDITION.
6. 751-01 THRU 751-06 ARE OBSOLETE. NEW STANDARD IS 751-07.

DIM	MILLIMETERS		INCHES	
	MIN	MAX	MIN	MAX
A	4.80	5.00	0.189	0.197
B	3.80	4.00	0.150	0.157
C	1.35	1.75	0.053	0.069
D	0.33	0.51	0.013	0.020
G	1.27 BSC		0.050 BSC	
H	0.10	0.25	0.004	0.010
J	0.19	0.25	0.007	0.010
K	0.40	1.27	0.016	0.050
M	0°	8°	0°	8°
N	0.25	0.50	0.010	0.020
S	5.80	6.20	0.228	0.244

### SOLDERING FOOTPRINT\*



\*For additional information on our Pb-Free strategy and soldering details, please download the ON Semiconductor Soldering and Mounting Techniques Reference Manual, SOLDERRM/D.

ON Semiconductor and the are registered trademarks of Semiconductor Components Industries, LLC (SCILLC) or its subsidiaries in the United States and/or other countries. SCILLC owns the rights to a number of patents, trademarks, copyrights, trade secrets, and other intellectual property. A listing of SCILLC's product/patent coverage may be accessed at [www.onsemi.com/site/pdf/Patent-Marketing.pdf](http://www.onsemi.com/site/pdf/Patent-Marketing.pdf). SCILLC reserves the right to make changes without further notice to any products herein. SCILLC makes no warranty, representation or guarantee regarding the suitability of its products for any particular purpose, nor does SCILLC assume any liability arising out of the application or use of any product or circuit, and specifically disclaims any and all liability, including without limitation special, consequential or incidental damages. "Typical" parameters which may be provided in SCILLC data sheets and/or specifications can and do vary in different applications and actual performance may vary over time. All operating parameters, including "Typicals" must be validated for each customer application by customer's technical experts. SCILLC does not convey any license under its patent rights nor the rights of others. SCILLC products are not designed, intended, or authorized for use as components in systems intended for surgical implant into the body, or other applications intended to support or sustain life, or for any other application in which the failure of the SCILLC product could create a situation where personal injury or death may occur. Should Buyer purchase or use SCILLC products for any such unintended or unauthorized application, Buyer shall indemnify and hold SCILLC and its officers, employees, subsidiaries, affiliates, and distributors harmless against all claims, costs, damages, and expenses, and reasonable attorney fees arising out of, directly or indirectly, any claim of personal injury or death associated with such unintended or unauthorized use, even if such claim alleges that SCILLC was negligent regarding the design or manufacture of the part. SCILLC is an Equal Opportunity/Affirmative Action Employer. This literature is subject to all applicable copyright laws and is not for resale in any manner.

### PUBLICATION ORDERING INFORMATION

**LITERATURE FULFILLMENT:**  
 Literature Distribution Center for ON Semiconductor  
 19521 E. 32nd Pkwy, Aurora, Colorado 80011 USA  
**Phone:** 303-675-2175 or 800-344-3860 Toll Free USA/Canada  
**Fax:** 303-675-2176 or 800-344-3867 Toll Free USA/Canada  
**Email:** [orderlit@onsemi.com](mailto:orderlit@onsemi.com)

**N. American Technical Support:** 800-282-9855 Toll Free  
 USA/Canada  
**Europe, Middle East and Africa Technical Support:**  
 Phone: 421 33 790 2910  
**Japan Customer Focus Center**  
 Phone: 81-3-5817-1050

**ON Semiconductor Website:** [www.onsemi.com](http://www.onsemi.com)  
**Order Literature:** <http://www.onsemi.com/orderlit>  
 For additional information, please contact your local Sales Representative



Компания «ЭлектроПласт» предлагает заключение долгосрочных отношений при поставках импортных электронных компонентов на взаимовыгодных условиях!

Наши преимущества:

- Оперативные поставки широкого спектра электронных компонентов отечественного и импортного производства напрямую от производителей и с крупнейших мировых складов;
- Поставка более 17-ти миллионов наименований электронных компонентов;
- Поставка сложных, дефицитных, либо снятых с производства позиций;
- Оперативные сроки поставки под заказ (от 5 рабочих дней);
- Экспресс доставка в любую точку России;
- Техническая поддержка проекта, помощь в подборе аналогов, поставка прототипов;
- Система менеджмента качества сертифицирована по Международному стандарту ISO 9001;
- Лицензия ФСБ на осуществление работ с использованием сведений, составляющих государственную тайну;
- Поставка специализированных компонентов (Xilinx, Altera, Analog Devices, Intersil, Interpoint, Microsemi, Aeroflex, Peregrine, Syfer, Eurofarad, Texas Instrument, Miteq, Cobham, E2V, MA-COM, Hittite, Mini-Circuits, General Dynamics и др.);

Помимо этого, одним из направлений компании «ЭлектроПласт» является направление «Источники питания». Мы предлагаем Вам помощь Конструкторского отдела:

- Подбор оптимального решения, техническое обоснование при выборе компонента;
- Подбор аналогов;
- Консультации по применению компонента;
- Поставка образцов и прототипов;
- Техническая поддержка проекта;
- Защита от снятия компонента с производства.



#### Как с нами связаться

**Телефон:** 8 (812) 309 58 32 (многоканальный)

**Факс:** 8 (812) 320-02-42

**Электронная почта:** [org@eplast1.ru](mailto:org@eplast1.ru)

**Адрес:** 198099, г. Санкт-Петербург, ул. Калинина, дом 2, корпус 4, литера А.