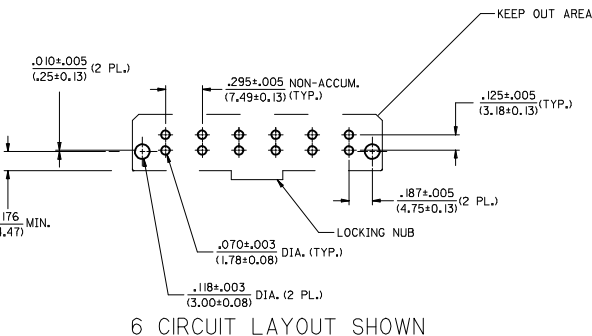


SEE SHEET 2 AND 3 FOR ITEM NUMBER CHART

RECOMMENDED P.C. BOARD LAYOUT FOR VERTICAL HEADERS
SCALE 2:1



- NOTES:**
- INSULATOR MATERIAL (SEE CHART):
A = 30% GLASS FILLED 46 NYLON, 94V-0, COLOR: BLACK.
TERMINAL MATERIAL: BRASS
 - TERMINAL FINISH: 60 MICRINCH (1.5 MICROMETER) MINIMUM TIN OVER 50 MICRINCH (1.25 MICROMETER) MINIMUM NICKEL.
 - PRODUCT SPECIFICATION: PSX-44441-9999.
 - PACKAGING: SEE CHART.
 - THESE HEADERS MATE WITH 43179, 43335, OR 44441 RECEPTACLE HOUSINGS.
 - SEE SHEETS 1, 2 AND 3, FOR VERTICAL HEADER ASSEMBLIES AND THEIR RESPECTIVE PART NUMBERS.
 - SEE SHEETS 4, 5 AND 6, FOR RIGHT ANGLE HEADER ASSEMBLIES AND THEIR RESPECTIVE PART NUMBERS.
 - DIMENSIONS ARE FOR REFERENCE ONLY, UNLESS INDICATED OTHERWISE.

SOLDER TAIL	DIM. "A" ±.020/(0,51)
SHORT	.150/(3,81)
LONG	.210/(5,33)

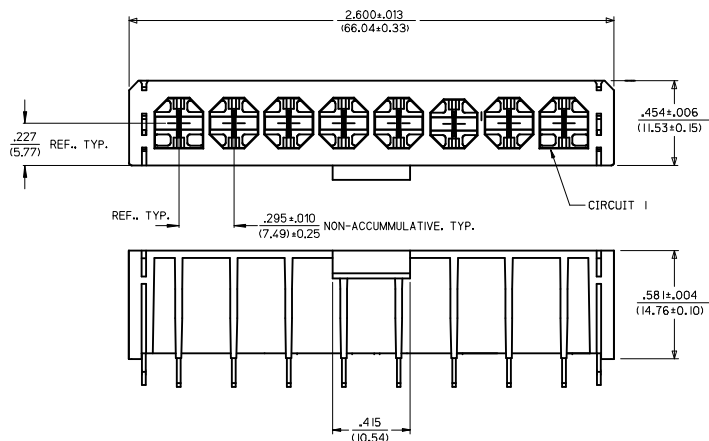
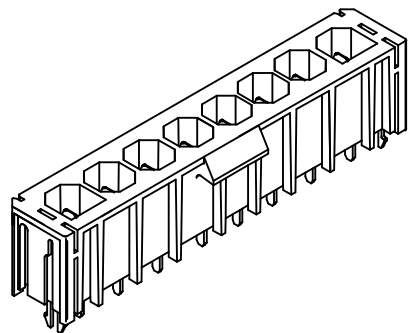
BOARD LOCK	DIM. "B" ±.004/(0,15)
.062	.070/(1,78)
.094	.102/(2,59)
.125	.133/(3,38)

6	J
5	J
4	J
3	J
2	J
1	J
SHT.	REV.

ADD 43160-9001 W/VID EC NO: UCP2015-5276 DRAWN/MONTI 2015/06/12 CHKD/BANDERSON 2015/06/12 APPR/FSMITH 2015/06/15 REV DESCRIPTION	QUALITY SYMBOLS ▽=0 ▽=0 ▽=0	GENERAL TOLERANCES (UNLESS SPECIFIED) <table border="1"> <thead> <tr> <th></th> <th>mm</th> <th>INCH</th> </tr> </thead> <tbody> <tr> <td>4 PLACES</td> <td>±.005</td> <td>±.005</td> </tr> <tr> <td>3 PLACES</td> <td>±.01</td> <td>±.01</td> </tr> <tr> <td>2 PLACES</td> <td>±.013</td> <td>±.01</td> </tr> <tr> <td>1 PLACE</td> <td>±.025</td> <td>±.025</td> </tr> <tr> <td>0 PLACE</td> <td>±.05</td> <td>±.05</td> </tr> </tbody> </table> ANGULAR ±1/2° DRAFT WHERE APPLICABLE MUST REMAIN WITHIN DIMENSIONS		mm	INCH	4 PLACES	±.005	±.005	3 PLACES	±.01	±.01	2 PLACES	±.013	±.01	1 PLACE	±.025	±.025	0 PLACE	±.05	±.05	DIMENSION STYLE IN/MM SCALE 3:1 DESIGN UNITS INCH THIRD ANGLE PROJECTION	DRAWN BY DATE GC 11/30/195 CHECKED BY DATE KBP 11/30/195 APPROVED BY DATE FSMITH 2015/06/15	MATERIAL NO. SEE CHART DOCUMENT NO. SDA-43160-****	TITLE SABRE HEADER, ASSY RA & VERT, 2-6 & 8 CIR. .125/(3,18)X .020/(0,51) molex	SHEET NO. 1 OF 6
		mm	INCH																						
	4 PLACES	±.005	±.005																						
	3 PLACES	±.01	±.01																						
2 PLACES	±.013	±.01																							
1 PLACE	±.025	±.025																							
0 PLACE	±.05	±.05																							
THIS DRAWING CONTAINS INFORMATION THAT IS PROPRIETARY TO MOLEX INCORPORATED AND SHOULD NOT BE USED WITHOUT WRITTEN PERMISSION																									
SIZE D																									
DIM. "A" (TYP.) DIM. "B" (2 PL.)																									

	20	19	18	17	16	15	14	13	12	11	10	9	8	7	6	5	4	3	2	1							
M	VERTICAL HEADER ASSEMBLY ITEM NO.	PART CHARACTERISTICS FOR VERTICAL HEADER				PACKAGING SPECIFICATIONS	VERTICAL HEADER ASSEMBLY ITEM NO.	PART CHARACTERISTICS FOR VERTICAL HEADER				PACKAGING SPECIFICATIONS	VERTICAL HEADER ASSEMBLY ITEM NO.	PART CHARACTERISTICS FOR VERTICAL HEADER				PACKAGING SPECIFICATIONS									
		CIRCUIT SIZE	HSG. MAT'L (SEE NOTE 1)	SOLDER TAIL	BOARD LOCK			CIRCUIT SIZE	HSG. MAT'L (SEE NOTE 1)	SOLDER TAIL	BOARD LOCK			CIRCUIT SIZE	HSG. MAT'L (SEE NOTE 1)	SOLDER TAIL	BOARD LOCK										
		43160-0102	2	A	SHORT			N/A	PK-43160-0010	43160-0104	4			A	SHORT	N/A	PK-43160-0010			43160-0106	6	A	SHORT	N/A	PK-43160-0010		
		43160-0302	2	A	LONG			N/A	PK-43789-001	43160-0304	4			A	LONG	N/A	PK-43789-001			43160-0306	6	A	LONG	N/A	PK-43789-001		
		43160-2102	2	A	SHORT			.062	PK-43789-001	43160-2104	4			A	SHORT	.062	PK-43789-001			43160-2106	6	A	SHORT	.062	PK-43789-001		
	L	VERTICAL HEADER ASSEMBLY ITEM NO.	PART CHARACTERISTICS FOR VERTICAL HEADER				PACKAGING SPECIFICATIONS	VERTICAL HEADER ASSEMBLY ITEM NO.	PART CHARACTERISTICS FOR VERTICAL HEADER				PACKAGING SPECIFICATIONS	VERTICAL HEADER ASSEMBLY ITEM NO.	PART CHARACTERISTICS FOR VERTICAL HEADER					PACKAGING SPECIFICATIONS							
			CIRCUIT SIZE	HSG. MAT'L (SEE NOTE 1)	SOLDER TAIL	BOARD LOCK			CIRCUIT SIZE	HSG. MAT'L (SEE NOTE 1)	SOLDER TAIL	BOARD LOCK			CIRCUIT SIZE	HSG. MAT'L (SEE NOTE 1)	SOLDER TAIL	BOARD LOCK									
			43160-4102	2	A	SHORT			.094	PK-43789-001	43160-4104	4			A	SHORT	.094	PK-43789-001				43160-4106	6	A	SHORT	.094	PK-43789-001
			43160-4302	2	A	LONG			.094	PK-43789-001	43160-4304	4			A	LONG	.094	PK-43789-001				43160-4306	6	A	LONG	.094	PK-43789-001
			43160-6302	2	A	LONG			.125	PK-43789-001	43160-6304	4			A	LONG	.125	PK-43789-001				43160-6306	6	A	LONG	.125	PK-43789-001
K		VERTICAL HEADER ASSEMBLY ITEM NO.	PART CHARACTERISTICS FOR VERTICAL HEADER				PACKAGING SPECIFICATIONS	VERTICAL HEADER ASSEMBLY ITEM NO.	PART CHARACTERISTICS FOR VERTICAL HEADER				PACKAGING SPECIFICATIONS	VERTICAL HEADER ASSEMBLY ITEM NO.	PART CHARACTERISTICS FOR VERTICAL HEADER				PACKAGING SPECIFICATIONS								
			CIRCUIT SIZE	HSG. MAT'L (SEE NOTE 1)	SOLDER TAIL	BOARD LOCK			CIRCUIT SIZE	HSG. MAT'L (SEE NOTE 1)	SOLDER TAIL	BOARD LOCK			CIRCUIT SIZE	HSG. MAT'L (SEE NOTE 1)	SOLDER TAIL	BOARD LOCK									
			43160-0103	3	A	SHORT			N/A	PK-43160-0010	43160-0105	5			A	SHORT	N/A	PK-43160-0010				43160-0107	7	A	SHORT	N/A	PK-43160-0010
			43160-0303	3	A	LONG			N/A	PK-43789-001	43160-0305	5			A	LONG	N/A	PK-43789-001				43160-0307	7	A	LONG	N/A	PK-43789-001
			43160-2103	3	A	SHORT			.062	PK-43789-001	43160-2105	5			A	SHORT	.062	PK-43789-001				43160-2107	7	A	SHORT	.062	PK-43789-001
	J	VERTICAL HEADER ASSEMBLY ITEM NO.	PART CHARACTERISTICS FOR VERTICAL HEADER				PACKAGING SPECIFICATIONS	VERTICAL HEADER ASSEMBLY ITEM NO.	PART CHARACTERISTICS FOR VERTICAL HEADER				PACKAGING SPECIFICATIONS	VERTICAL HEADER ASSEMBLY ITEM NO.	PART CHARACTERISTICS FOR VERTICAL HEADER				PACKAGING SPECIFICATIONS								
			CIRCUIT SIZE	HSG. MAT'L (SEE NOTE 1)	SOLDER TAIL	BOARD LOCK			CIRCUIT SIZE	HSG. MAT'L (SEE NOTE 1)	SOLDER TAIL	BOARD LOCK			CIRCUIT SIZE	HSG. MAT'L (SEE NOTE 1)	SOLDER TAIL	BOARD LOCK									
			43160-4103	3	A	SHORT			.094	PK-43789-001	43160-4105	5			A	SHORT	.094	PK-43789-001				43160-4107	7	A	SHORT	.094	PK-43789-001
			43160-4303	3	A	LONG			.094	PK-43789-001	43160-4305	5			A	LONG	.094	PK-43789-001				43160-4307	7	A	LONG	.094	PK-43789-001
			43160-6303	3	A	LONG			.125	PK-43789-001	43160-6305	5			A	LONG	.125	PK-43789-001				43160-6307	7	A	LONG	.125	PK-43789-001

SEE SHEET 1 IEC NO: UCP2015-5276 DRAWN: MONTI 2015/06/12 CHECKED: BANDERSON 2015/06/12 APPR: FSMITH 2015/06/25 REV: DESCRIPTION	QUALITY SYMBOLS	GENERAL TOLERANCES (UNLESS SPECIFIED)	DIMENSION STYLE	SCALE	DESIGN UNITS	THIRD ANGLE PROJECTION
	▽=0	mm INCH	IN/MM	1:1	INCH	☉
	▽=0	4 PLACES ±.005	DRAWN BY DATE	11/30/195	TITLE	
	▽=0	3 PLACES ±.01	CHECKED BY DATE	11/30/195	SABRE HEADER, ASSY RA & VERT, 2-6 & 8 CIR. .125/(3.18)X .020/(0.51)	
	1 PLACE ±0.25	APPROVED BY DATE	2015/06/25	DOCUMENT NO.		SHEET NO.
	0 PLACE ±.---	ANGULAR ±1/2°	SEE CHART	SDA-43160-****		2 OF 6
		DRAFT WHERE APPLICABLE MUST REMAIN WITHIN DIMENSIONS	THIS DRAWING CONTAINS INFORMATION THAT IS PROPRIETARY TO MOLEX INCORPORATED AND SHOULD NOT BE USED WITHOUT WRITTEN PERMISSION			



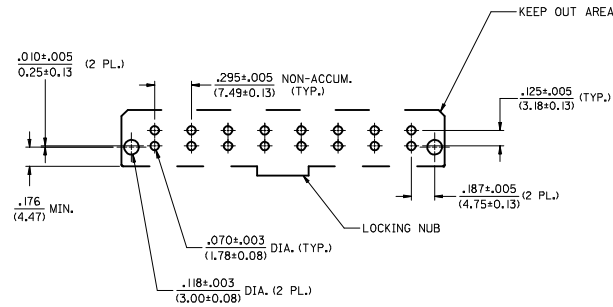
BOARD LOCK		DIM. "B" ±.004/(0, 10)	
.062		.070	(1.78)
.094		.102	(2.59)
.125		.133	(3.38)

SOLDER TAIL		DIM. "A" ±.020/(0, 51)	
SHORT		.150	(3.81)
LONG		.210	(5.33)

VERTICAL HEADER ASSEMBLY ITEM NO.	PART CHARACTERISTICS FOR VERTICAL HEADER				PACKAGING SPECIFICATIONS
	CIRCUIT SIZE	HSG. MAT'L (SEE NOTE 1)	SOLDER TAIL	BOARD LOCK	
43160-0108	8	A	SHORT	N/A	PK-43160-0010
43160-0308	8	A	LONG	N/A	PK-43789-001
43160-2108	8	A	SHORT	.062	PK-43789-001
43160-4108	8	A	SHORT	.094	PK-43789-001
43160-4308	8	A	LONG	.094	PK-43789-001
43160-6308	8	A	LONG	.125	PK-43789-001

RECOMMENDED P.C. BOARD LAYOUT FOR VERTICAL HEADERS

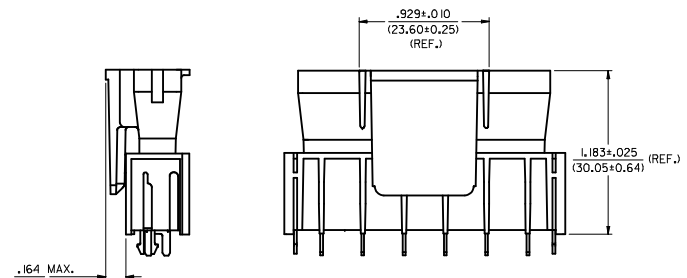
SCALE 2:1



8 CIRCUIT LAYOUT SHOWN

NOTES:

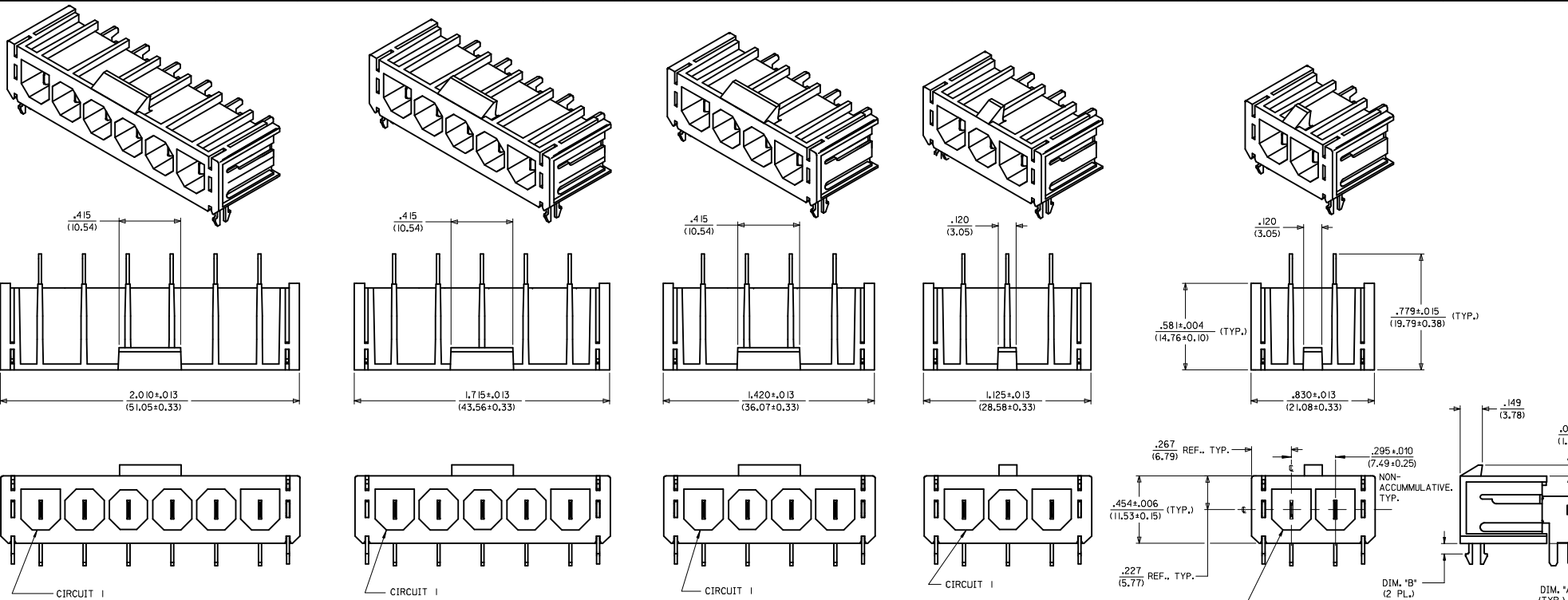
- INSULATOR MATERIAL (SEE CHART):
A = 30% GLASS FILLED 46 NYLON, 94V-0, COLOR: BLACK.
TERMINAL MATERIAL: BRASS
- TERMINAL FINISH: 60 MICRONS (1.50 MICROMETER) MINIMUM TIN OVER.
50 MICRONS (1.25 MICROMETER) MINIMUM NICKEL.
- PRODUCT SPECIFICATION: PSX-44441-9999.
- PACKAGING: SEE CHART.
- THESE HEADERS MATE WITH 43179, 43335, OR 44441 RECEPTACLE HOUSING.
- SEE SHEETS 1, 2 AND 3, FOR VERTICAL HEADER ASSEMBLIES AND THEIR RESPECTIVE PART NUMBERS.
- SEE SHEETS 4, 5 AND 6, FOR RIGHT ANGLE HEADER ASSEMBLIES AND THEIR RESPECTIVE PART NUMBERS.
- DIMENSIONS ARE FOR REFERENCE ONLY, UNLESS INDICATED OTHERWISE.



MATED SABRE CONNECTOR

NO SCALE

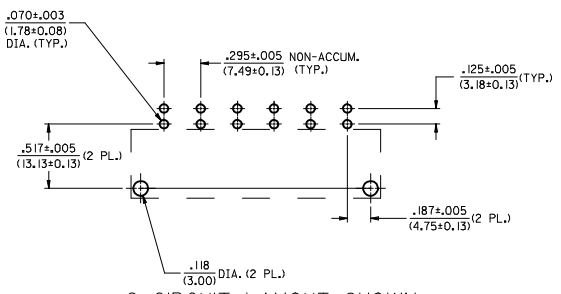
SEE SHEET 1 IEC NO. UCP2015-5276 DRAWN BY: CHYK/BANDERSON CHECKED BY: APPR:FSM/TH DATE: 2015/06/12 DATE: 2015/06/12	QUALITY SYMBOLS ∇=0 ∇=0 ∇=0	GENERAL TOLERANCES (UNLESS SPECIFIED) mm INCH		DIMENSION STYLE IN/MM	SCALE 3:1	DESIGN UNITS INCH	THIRD ANGLE PROJECTION
		4 PLACES ±.005 ±.005 3 PLACES ±.010 ±.010 2 PLACES ±0.13 ±.01 1 PLACE ±0.25 ±.01 0 PLACE ±.005 ±.005	DRAWN BY: GC CHECKED BY: KBP APPROVED BY: FSMITH DATE: 11/30/95 DATE: 11/30/95 DATE: 2015/06/25	TITLE SABRE HEADER, ASSY RA & VERT, 2-6 & 8 CIR. .125/(3.18)X .020/(0.51)		MATERIAL NO. SEE CHART	DOCUMENT NO. SDA-43160-****



SEE SHEET 5 AND 6 FOR ITEM NUMBER CHART

RECOMMENDED P.C. BOARD LAYOUT FOR RIGHT ANGLE HEADERS

SCALE 2:1



6 CIRCUIT LAYOUT SHOWN

NOTES:

- INSULATOR MATERIAL (SEE CHART):
A = 30% GLASS-FILLED 46 NYLON, 94V-0, COLOR: BLACK
TERMINAL MATERIAL: BRASS
- TERMINAL FINISH: 60 MICRON (1.50 MICROMETER) MINIMUM TIN OVER
50 MICRON (1.25 MICROMETER) MINIMUM NICKEL.
- PRODUCT SPECIFICATION: PSX-44441-9999.
- PACKAGING: SEE CHART.
- THESE HEADERS MATE WITH 43179, 43335, OR 44441 RECEPTACLE HOUSINGS.
- SEE SHEETS 1, 2 AND 3 FOR VERTICAL HEADER ASSEMBLIES AND THEIR RESPECTIVE PART NUMBERS.
- SEE SHEETS 4, 5 AND 6 FOR RIGHT ANGLE HEADER ASSEMBLIES AND THEIR RESPECTIVE PART NUMBERS.
- DIMENSIONS ARE FOR REFERENCE ONLY UNLESS INDICATED OTHERWISE.

SOLDER TAIL	DIM. 'A' ±.01/(0.28)
SHORT	.150/(3.81)
LONG	.210/(5.33)

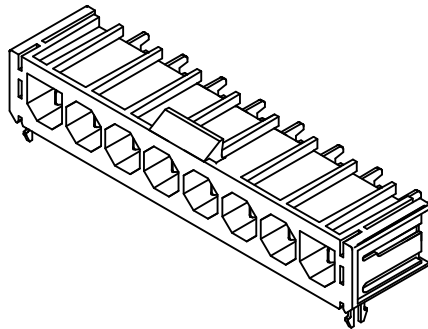
BOARD LOCK	DIM. 'B' ±.004/(0.10)
.062	.070/(1.78)
.094	.102/(2.59)
.125	.133/(3.38)

SEE SHEET 1 IEC NO. UCP2015-5276 DRAWN/MONT: CHYK/BANDERSON DATE: 2015/06/12 APPROVED BY: FMSMITH DATE: 2015/06/25	QUALITY SYMBOLS ▽=0 ▽=0 ▽=0	GENERAL TOLERANCES (UNLESS SPECIFIED) mm INCH 4 PLACES ±.005 ±.005 3 PLACES ±.01 ±.01 2 PLACES ±0.13 ±.01 1 PLACE ±0.25 ±.01 0 PLACE ±.005 ±.005 ANGULAR ±1/2° DRAFT WHERE APPLICABLE MUST REMAIN WITHIN DIMENSIONS	DIMENSION STYLE IN/MM DRAWN BY DATE: GC 11/30/95 CHECKED BY DATE: KBP 11/30/95 APPROVED BY DATE: FMSMITH 2015/06/25	SCALE 3:1 DESIGN UNITS INCH THIRD ANGLE PROJECTION	TITLE SABRE HEADER, ASSY RA & VERT, 2-6 & 8 CIR. .125/(3.18) X .020/(0.51)
	MATERIAL NO. SEE CHART DOCUMENT NO. SDA-43160-****		SHEET NO. 4 OF 6		
	THIS DRAWING CONTAINS INFORMATION THAT IS PROPRIETARY TO MOLEX INCORPORATED AND SHOULD NOT BE USED WITHOUT WRITTEN PERMISSION				
	SIZE D				

RT. ANGLE HEADER ASSEMBLY ITEM NO.	PART CHARACTERISTICS FOR RIGHT ANGLE HEADER				PACKAGING SPECIFICATIONS	RT. ANGLE HEADER ASSEMBLY ITEM NO.	PART CHARACTERISTICS FOR RIGHT ANGLE HEADER				PACKAGING SPECIFICATIONS	VOID CIRCUIT NUMBER(S)
	CIRCUIT SIZE	HSG. MAT'L (SEE NOTE 1)	SOLDER TAIL	BOARD LOCK			CIRCUIT SIZE	HSG. MAT'L (SEE NOTE 1)	SOLDER TAIL	BOARD LOCK		
43160-1102	2	A	SHORT	N/A	PK-43160-0010	43160-1104	4	A	SHORT	N/A	PK-43160-0010	-
43160-1302	2	A	LONG	N/A	PK-43789-001	43160-1304	4	A	LONG	N/A	PK-43789-001	-
43160-3102	2	A	SHORT	.062	PK-43789-001	43160-3104	4	A	SHORT	.062	PK-43789-001	-
43160-5102	2	A	SHORT	.094	PK-43789-001	43160-5104	4	A	SHORT	.094	PK-43789-001	-
43160-5302	2	A	LONG	.094	PK-43789-001	43160-5304	4	A	LONG	.094	PK-43789-001	-
43160-7302	2	A	LONG	.125	PK-43789-001	43160-7304	4	A	LONG	.125	PK-43789-001	-
43160-1103	3	A	SHORT	N/A	PK-43160-0010	43160-1105	5	A	SHORT	N/A	PK-43160-0010	-
43160-1303	3	A	LONG	N/A	PK-43789-001	43160-1305	5	A	LONG	N/A	PK-43789-001	-
43160-3103	3	A	SHORT	.062	PK-43789-001	43160-3105	5	A	SHORT	.062	PK-43789-001	-
43160-5103	3	A	SHORT	.094	PK-43789-001	43160-5105	5	A	SHORT	.094	PK-43789-001	-
43160-5303	3	A	LONG	.094	PK-43789-001	43160-5305	5	A	LONG	.094	PK-43789-001	-
43160-7303	3	A	LONG	.125	PK-43789-001	43160-7305	5	A	LONG	.125	PK-43789-001	-
						43160-9001	4	A	SHORT	.062	PK-43789-001	2

RT. ANGLE HEADER ASSEMBLY ITEM NO.	PART CHARACTERISTICS FOR RIGHT ANGLE HEADER				PACKAGING SPECIFICATIONS
	CIRCUIT SIZE	HSG. MAT'L (SEE NOTE 1)	SOLDER TAIL	BOARD LOCK	
43160-1106	6	A	SHORT	N/A	PK-43160-0010
43160-1306	6	A	LONG	N/A	PK-43789-001
43160-3106	6	A	SHORT	.062	PK-43789-001
43160-5106	6	A	SHORT	.094	PK-43789-001
43160-5306	6	A	LONG	.094	PK-43789-001
43160-7306	6	A	LONG	.125	PK-43789-001

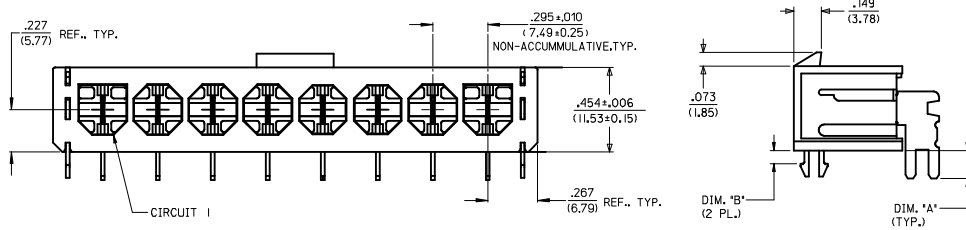
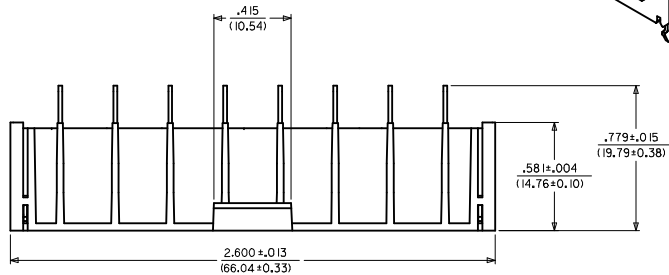
SEE SHEET 1 IEC NO: UCP2015-5276 DRAWN: MONTI 2015/06/12 CHECKED: BANDERSON 2015/06/12 APPR: FSMITH 2015/06/25	QUALITY SYMBOLS ▽=0 ▽=0 ▽=0	GENERAL TOLERANCES (UNLESS SPECIFIED)		DIMENSION STYLE IN/MM		SCALE 1:1	DESIGN UNITS INCH	THIRD ANGLE PROJECTION	
		mm INCH		DRAWN BY GC	DATE 11/30/95	TITLE SABRE HEADER, ASSY RA & VERT, 2-6 & 8 CIR. .125/(3.18)X .020/(0.51)			
		4 PLACES ±.005 3 PLACES ±.01 2 PLACES ±0.13 ±.01 1 PLACE ±0.25 ±.01 0 PLACE ±.005 ±.01		CHECKED BY KBP	DATE 11/30/95	MATERIAL NO. SEE CHART			
		ANGULAR ±1/2° DRAFT WHERE APPLICABLE MUST REMAIN WITHIN DIMENSIONS		APPROVED BY FSMITH	DATE 2015/06/25	DOCUMENT NO. SDA-43160-****	SHEET NO. 5 OF 6		



BOARD LOCK	DIM. "B" ±.004/(0.10)
.062	.070/(1.78)
.094	.102/(2.59)
.125	.133/(3.38)

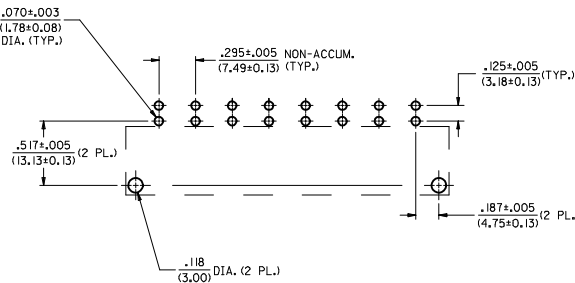
SOLDER TAIL	DIM. "A" ±.011/(0.28)
SHORT	.150/(3.81)
LONG	.210/(5.33)

RT. ANGLE HEADER ASSEMBLY ITEM NO.	PART CHARACTERISTICS FOR RIGHT ANGLE HEADER				PACKAGING SPECIFICATIONS
	CIRCUIT SIZE	HSG. MAT'L (SEE NOTE 1)	SOLDER TAIL	BOARD LOCK	
43160-1108	8	A	SHORT	N/A	PK-43160-0010
43160-1308	8	A	LONG	N/A	PK-43789-001
43160-3108	8	A	SHORT	.062	PK-43789-001
43160-5108	8	A	SHORT	.094	PK-43789-001
43160-5308	8	A	LONG	.094	PK-43789-001
43160-7308	8	A	LONG	.125	PK-43789-001



RECOMMENDED P.C. BOARD LAYOUT FOR RIGHT ANGLE HEADERS

SCALE 2:1



8 CIRCUIT LAYOUT SHOWN

NOTES:

- INSULATOR MATERIAL (SEE CHART):
A = 30% GLASS FILLED 46 NYLON, 94V-0, COLOR: BLACK.
- TERMINAL MATERIAL: BRASS
- TERMINAL FINISH: 60 MICRINCH (1.50 MICROMETER) MINIMUM TIN OVER 50 MICRINCH (1.25 MICROMETER) MINIMUM NICKEL.
- PRODUCT SPECIFICATION: PSX-44441-9999.
- PACKAGING: SEE CHART.
- THESE HEADERS MATE WITH 43179, 43335, OR 44441 RECEPTACLE HOUSINGS.
- SEE SHEETS 1, 2 AND 3, FOR VERTICAL HEADER ASSEMBLIES AND THEIR RESPECTIVE PART NUMBERS.
- SEE SHEETS 4, 5 AND 6, FOR RIGHT ANGLE HEADER ASSEMBLIES AND THEIR RESPECTIVE PART NUMBERS.
- DIMENSIONS ARE FOR REFERENCE ONLY, UNLESS INDICATED OTHERWISE.

SEE SHEET 1 IEC NO. UCP2015-5276 DRAWN: MONTI 2015/06/12 CHECKED: BANDERSON 2015/06/12 APPROVED: FSMITH 2015/06/25	QUALITY SYMBOLS ∇=0 ∇=0 ∇=0	GENERAL TOLERANCES (UNLESS SPECIFIED) mm INCH		DIMENSION STYLE IN/MM		SCALE 3:1	DESIGN UNITS INCH	THIRD ANGLE PROJECTION
		4 PLACES ±.005 ±.005 3 PLACES ±.013 ±.01 2 PLACES ±.025 ±.01 1 PLACE ±.025 ±.01 0 PLACE ±.025 ±.01		DRAWN BY DATE GC 11/30/95 CHECKED BY DATE KBP 11/30/95 APPROVED BY DATE FSMITH 2015/06/25		MATERIAL NO. SEE CHART		DOCUMENT NO. SDA-43160-****
DRAFT WHERE APPLICABLE MUST REMAIN WITHIN DIMENSIONS		ANGULAR ±1/2°		SHEET NO. 6 OF 6		THIS DRAWING CONTAINS INFORMATION THAT IS PROPRIETARY TO MOLEX INCORPORATED AND SHOULD NOT BE USED WITHOUT WRITTEN PERMISSION		



Компания «ЭлектроПласт» предлагает заключение долгосрочных отношений при поставках импортных электронных компонентов на взаимовыгодных условиях!

Наши преимущества:

- Оперативные поставки широкого спектра электронных компонентов отечественного и импортного производства напрямую от производителей и с крупнейших мировых складов;
- Поставка более 17-ти миллионов наименований электронных компонентов;
- Поставка сложных, дефицитных, либо снятых с производства позиций;
- Оперативные сроки поставки под заказ (от 5 рабочих дней);
- Экспресс доставка в любую точку России;
- Техническая поддержка проекта, помощь в подборе аналогов, поставка прототипов;
- Система менеджмента качества сертифицирована по Международному стандарту ISO 9001;
- Лицензия ФСБ на осуществление работ с использованием сведений, составляющих государственную тайну;
- Поставка специализированных компонентов (Xilinx, Altera, Analog Devices, Intersil, Interpoint, Microsemi, Aeroflex, Peregrine, Syfer, Eurofarad, Texas Instrument, Miteq, Cobham, E2V, MA-COM, Hittite, Mini-Circuits, General Dynamics и др.);

Помимо этого, одним из направлений компании «ЭлектроПласт» является направление «Источники питания». Мы предлагаем Вам помощь Конструкторского отдела:

- Подбор оптимального решения, техническое обоснование при выборе компонента;
- Подбор аналогов;
- Консультации по применению компонента;
- Поставка образцов и прототипов;
- Техническая поддержка проекта;
- Защита от снятия компонента с производства.



Как с нами связаться

Телефон: 8 (812) 309 58 32 (многоканальный)

Факс: 8 (812) 320-02-42

Электронная почта: org@eplast1.ru

Адрес: 198099, г. Санкт-Петербург, ул. Калинина, дом 2, корпус 4, литера А.