

# DATA SHEET

# HGARAP001A

**ALPSALPINE ALPSALPINE CO., LTD.**

HEAD OFFICE  
1-7, YUKIGAYA-OTSUKA-MACHI, OTA-KU, TOKYO, 145-8501, JAPAN  
PHONE +81(3)3726-1211 FAX +81(3)3728-1741  
NAGAOKA PLANT  
1-3-5, HIGASHITAKAMI-MACHI, NAGAOKA-CITY, NIIGATA-PREF, 940-0006, JAPAN  
PHONE +81 258-24-4111 FAX +81 258-24-4110

This specification is subject to change without notice.

**List of Contents**

<b>1</b>	<b>Product Description</b>	<b>製品説明</b>	<b>3</b>
1.1	Overview	概要	3
1.2	Target Appliations	ターゲットアプリケーション	3
<b>2</b>	<b>Functional Description</b>	<b>機能説明</b>	<b>4</b>
2.1	Pin Configuration	ピン配置	4
2.2	Pin Description	ピン機能	4
<b>3</b>	<b>Specifications</b>	<b>仕様</b>	<b>5</b>
3.1	Absolute Maximum Ratings	絶対最大定格	5
3.2	Operating Conditions	動作条件	5
3.3	Basic Characteristics	基本特性	6
3.4	Electric Characteristics	電気特性	6
<b>4</b>	<b>Package Information</b>	<b>パッケージ情報</b>	<b>10</b>
4.1	Appearance	外観	10
4.2	Package Outline	外形図	10
4.3	Footprint	フットプリント	11
4.4	Package Marking	捺印	11
4.5	Structure	構造	12
<b>5</b>	<b>Packing Specifications</b>	<b>梱包仕様</b>	<b>13</b>
5.1	Packing Information	梱包情報	13
5.2	Packing Specifications	梱包仕様	14
<b>6</b>	<b>Reliability Test Conditions</b>	<b>信頼性試験条件</b>	<b>16</b>
6.1	Preconditioning for Reliability Test	信頼性試験の前処理	16
6.2	Reliability Test Items	信頼性試験項目	16
<b>7</b>	<b>Precautions When Handling Magnetic Sensor</b>	<b>製品お取り扱い時の注意</b>	<b>17</b>
7.1	Storage Environment	保管環境	17
7.2	Long-term Storage	長期保管	17
7.3	ESD	静電気ESD	17
7.4	External Magnetic Field	外乱磁場	17
<b>7</b>	<b>Legal Disclaimer</b>	<b>法的放棄声明</b>	<b>18</b>
<b>Appendix</b>			
A1	List of Figures	図のリスト	19
A2	List of Tables	表のリスト	19
A3	Revision History	改定履歴	20

**1 Product Description 製品説明****1.1 Overview 概要**

ALPS Product No.	HGARAP001A
Characteristic	Angle Sensor
Package type	MSOP-8pin
Supply Voltage	max. 5.5V
Operating Magnetic Field	20 ~ 60 mT
Operating Temperature	-40 ~ 105 deg.C
Interface	Analog Output

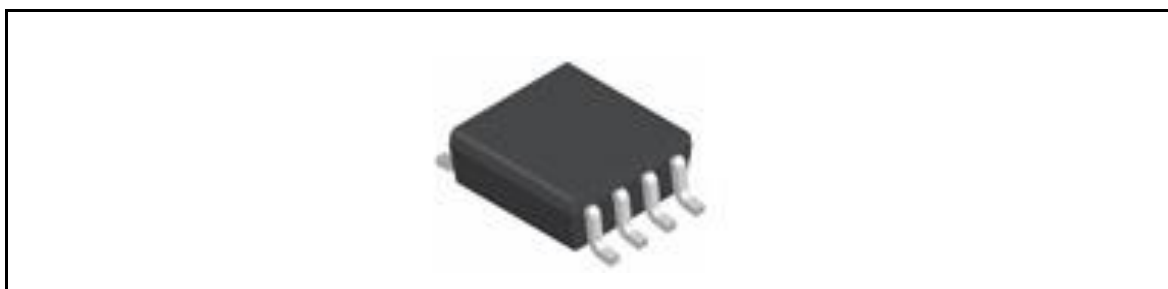


Figure 1-1 Image of HGARAP001A in the MSOP-8pin Package

**1.2 Target Applications ターゲットアプリケーション**

Automotive  
Industrial  
Building Automation  
Office Automation  
Home Appliance

**2 Functional Description 機能説明**

**2.1 Pin Configuration ピン配置**

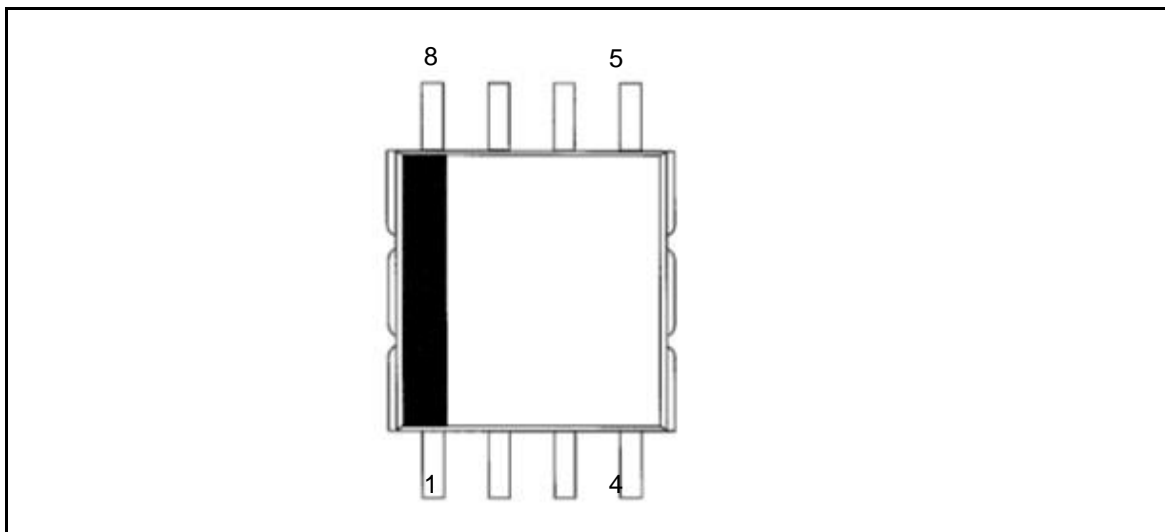


Figure 2-1 Pin Configuration

**2.2 Pin Description ピン機能**

Table 2-1 Pin Description

Pin No.	Function	Pin No.	Function
1	-cos out	8	GND
2	VDD	7	-sin out
3	+sin out	6	VDD
4	GND	5	+cos out

[note]

Pin 2 and pin 6(VDD) must be connected on external circuit. Disconnected internally.

Pin 4 and pin 8(GND) must be connected on external circuit. Disconnected internally.

pin-2とpin-6、及び pin-4とpin-8はPKG外部で接続してお使い下さい。(内部ではつながっておりません)

### 3 Specifications 仕様

#### 3.1 Absolute Maximum Ratings 絶対最大定格

Table 3-1 Absolute Maximum Rating Parameters

Parameter	Symbol	Values			Unit	Note
		Min.	Typ.	Max.		
Supply Voltage	VDD	-	-	5.5	V	
Storage Temperature	Tstg	-40	-	105	deg.C	
Magnetic Field Strength	Hext	-	-	200	mT	at Room Temp.
		-	-	160	kA/m	

[note]

The maximum rating is the value that must not be exceeded it even if it is momentary. There is a possibility of the breakdown and/or destruction when this value is exceeded.

最大定格とは、たとえ瞬間的であっても超えてはならない値であり、この値を超えた場合、故障・破壊の可能性がります。

Even if it is use within the maximum rating, continuous use on a high stress (high temperature and high superimposed voltage/large current drive, etc.) might spoil the product reliability.

最大定格内の使用であっても高負荷(高温および高電圧印加/大電流駆動etc.)での連続使用は製品の信頼性を低下させる恐れがあります。

#### 3.2 Operating Conditions 動作条件

Table 3-2 Operating Conditions

Parameter	Symbol	Values			Unit	Note
		Min.	Typ.	Max.		
Operating Temperature	Top	-40	-	105	deg.C	
Magnetic Field Strength	Hext*	20	-	60	mT	
		16	-	48	kA/m	

\* the applied horizontal magnetic field rotated above the sensor

### 3.3 Basic Characteristics 基本特性

Table 3-3 Basic Characteristics

Parameter	Symbol	Values			Unit	Note
		Min.	Typ.	Max.		
Each Element Resistance	Rel	3.15	3.5	3.85	kOhm	at Room Temp.
Bridge Resistance	Rtotal	1.575	1.75	1.925	kOhm	at Room Temp.
Temperature Coefficient of Bridge Resistance	TcR	-	-	1600	ppm/deg.C	-40 ~105deg.C
Temperature Coefficient of Change Rate of Magnetoresistance	TcΔR	-3900	-	-	ppm/deg.C	-40 ~105deg.C

### 3.4 Electric Characteristics 電気特性

Table 3-4 Electric Characteristics @25deg.C

Parameter	Symbol	Values			Unit	Note
		Min.	Typ.	Max.		
Offset Voltage	Voffset	-12.5	0	12.5	mV	(1)
Center Voltage	Vcenter	2.45	2.5	2.55	V	(2)
Peak to Peak Voltage	Vpeak	490	550	610	mVp-p	(3)
Phase Difference	Pdiff	87.5	90	92.5	deg.	(4)
Waveform Distortion	Wd	-	-	7	mV	(5)
Angular Accuracy	Δα	-	-	1.0	deg.	(6)

[note]

Unless otherwise specified, measurement condition is as follows.

VDD=5V, Hext=30mT, Top=25deg.C on the circuit described in Figure3-1

特に注記ない限り、測定条件は下記の通り

測定回路(Figure3-1), VDD=5V, Hext=30mT, Top=25deg.C .

Definition of Parameter パラメータの定義

$$(1) V_{offset} = \frac{(+sin\ out\ max.) + (+sin\ out\ min.)}{2} - \frac{(-sin\ out\ max.) + (-sin\ out\ min.)}{2}$$

\* The same calculation is applied to “+cos out” and “-cos out”.

$$(2) V_{center} = \frac{(+sin\ out\ max.) + (+sin\ out\ min.)}{2}$$

\* The same calculation is applied to “-sin out”, “+cos out” and “-cos out”.

$$(3) V_{peak} = (+sin\ out.\ max.) - (+sin\ out.\ min.) + (-sin\ out.\ max.) - (-sin\ out.\ min.)$$

\* The same calculation is applied to “cos out”.

\* V<sub>peak</sub> ratio is defined as ratio of V<sub>peak\_sin</sub> and V<sub>peak\_cos</sub>.

$$(4) Pd_{diff} = SinPhase - CosPhase$$

\* SinPhase: Phase of V<sub>sin</sub>

\* CosPhase: Phase of V<sub>cos</sub>

\* V<sub>sin</sub> and V<sub>cos</sub> are ideal curve.

$$(5) Wd = \text{Max. } |V_{meas} - V_{ideal}|$$

\* V<sub>meas</sub>: measured value

\* V<sub>ideal</sub>: ideal curve

$$(6) \Delta\alpha = \text{Max. } |\alpha_{meas} - \alpha_{ideal}|$$

\* α<sub>meas</sub> : calculated angle from measured value

\* α<sub>ideal</sub>: ideal angle calculated from V<sub>sin</sub> and V<sub>cos</sub>

\* V<sub>sin</sub> and V<sub>cos</sub> are ideal curve.

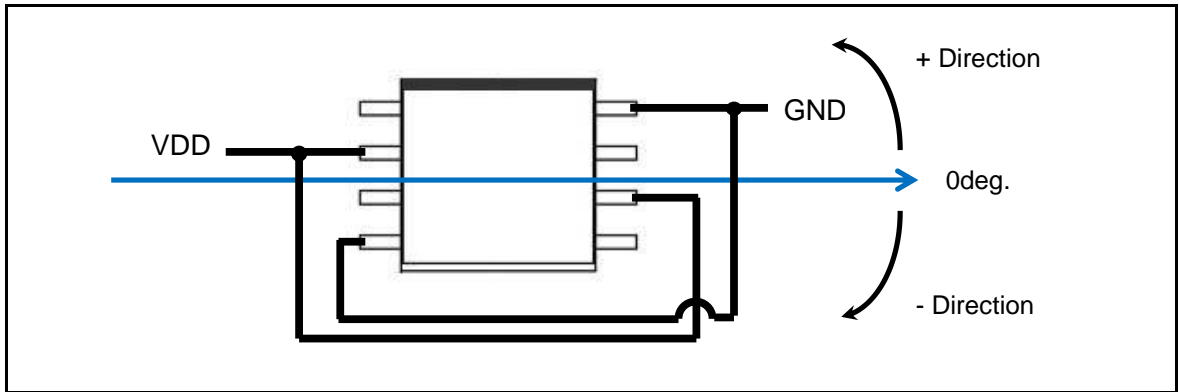


Figure 3-1 Evaluation Circuit and Definition of Magnetic Field Direction

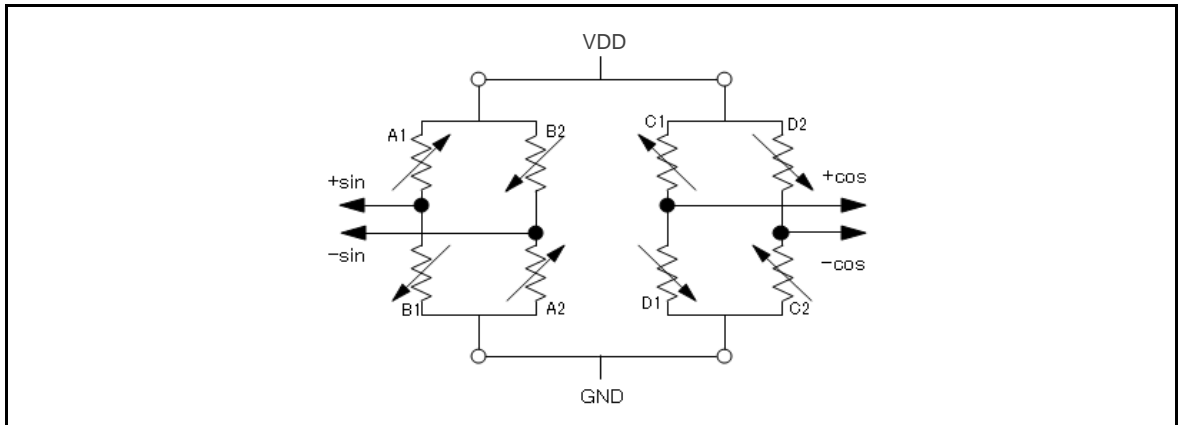


Figure 3-2 Equivalent Circuit



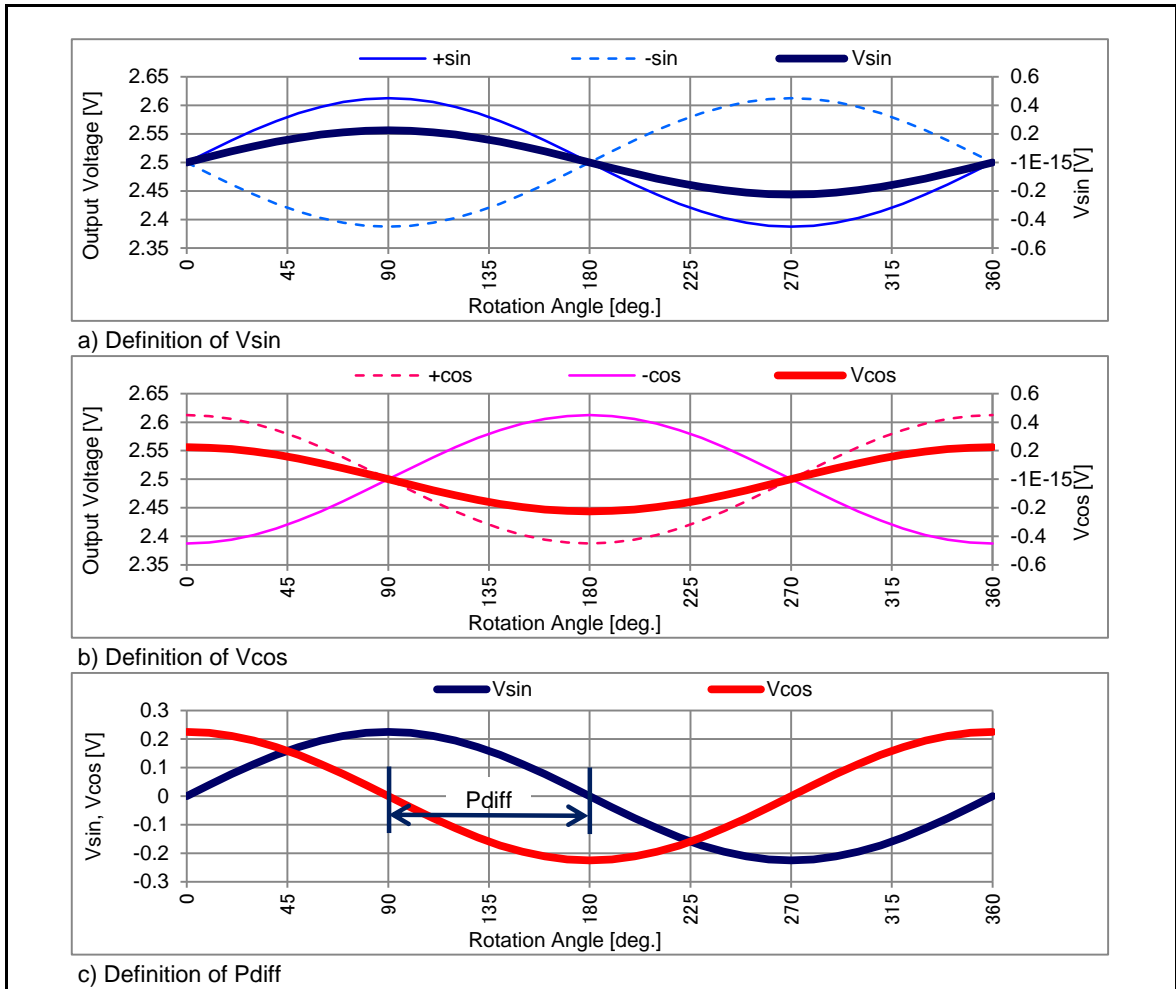


Figure 3-3 Definition of Vsin, Vcos, and Pdiff

**5 Package Information** パッケージ情報

5.1 Appearance 外観

The sensor shall be in good appearance, and have no functional failure or excessive damage such as rust, cracks, and split in any part.

各部の仕上げは良好で機能上有害な錆、傷、割れが有ってはならない。

5.2 Package Outline 外形図

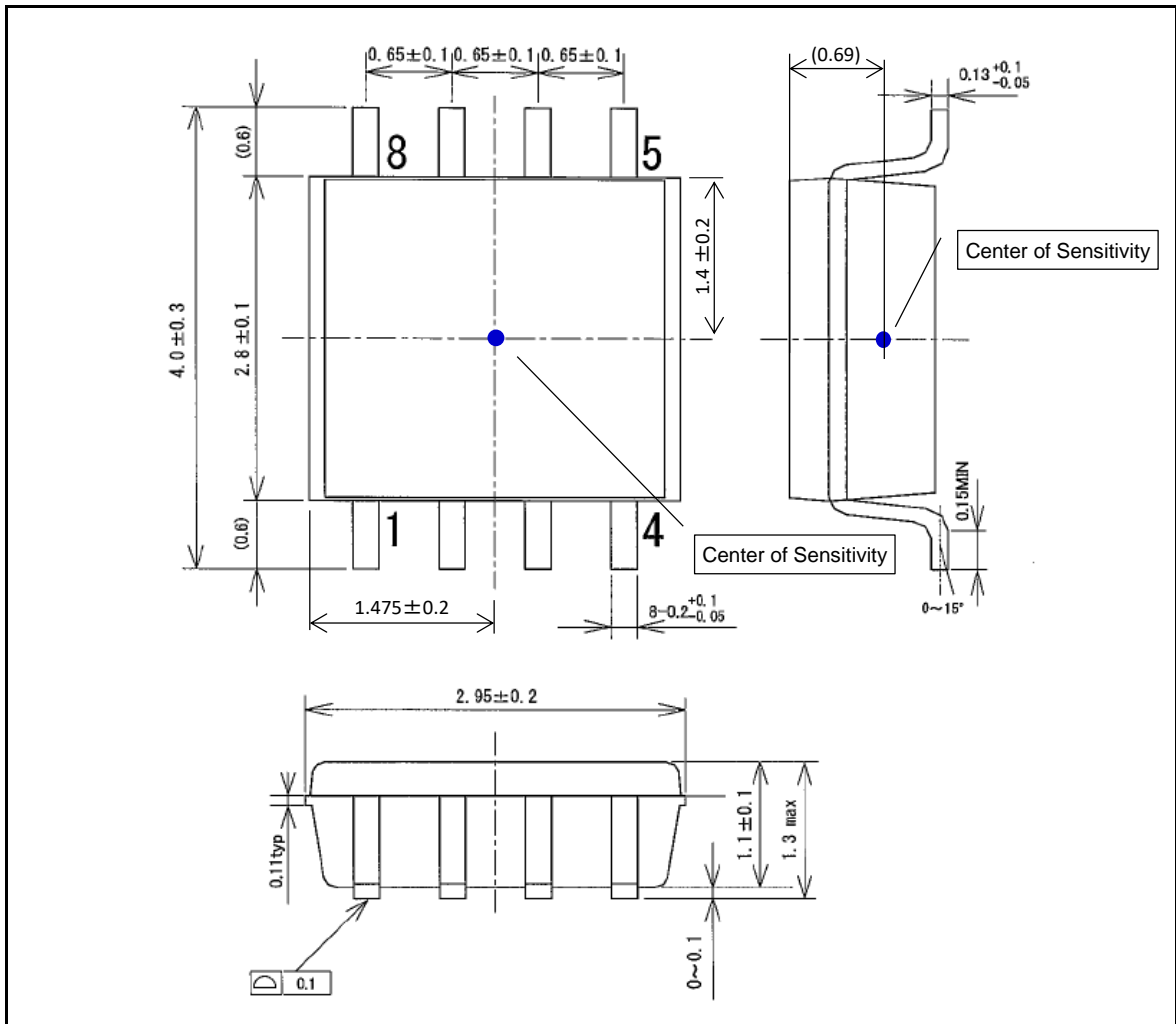


Figure 5-1 Package Outline (All dimensions in mm)

4.3 Footprint フットプリント

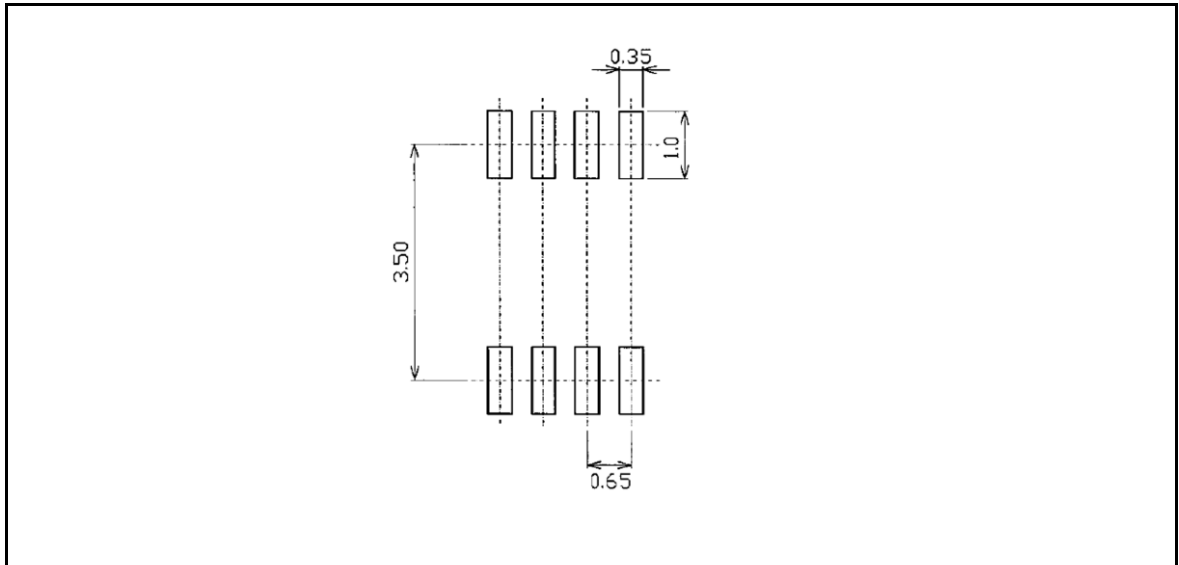


Figure 4-2 Recommended Footprint (Reference)

4.4 Package Marking 捺印

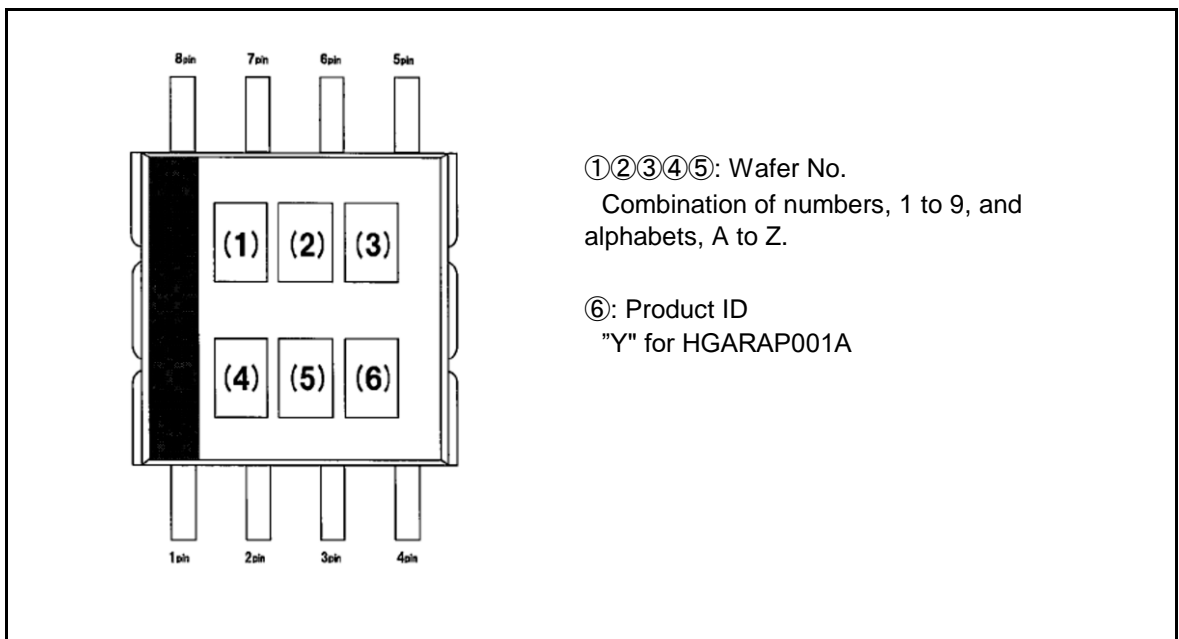


Figure 4-3 Marking of HGARAP001A

4.4 Structure 構造

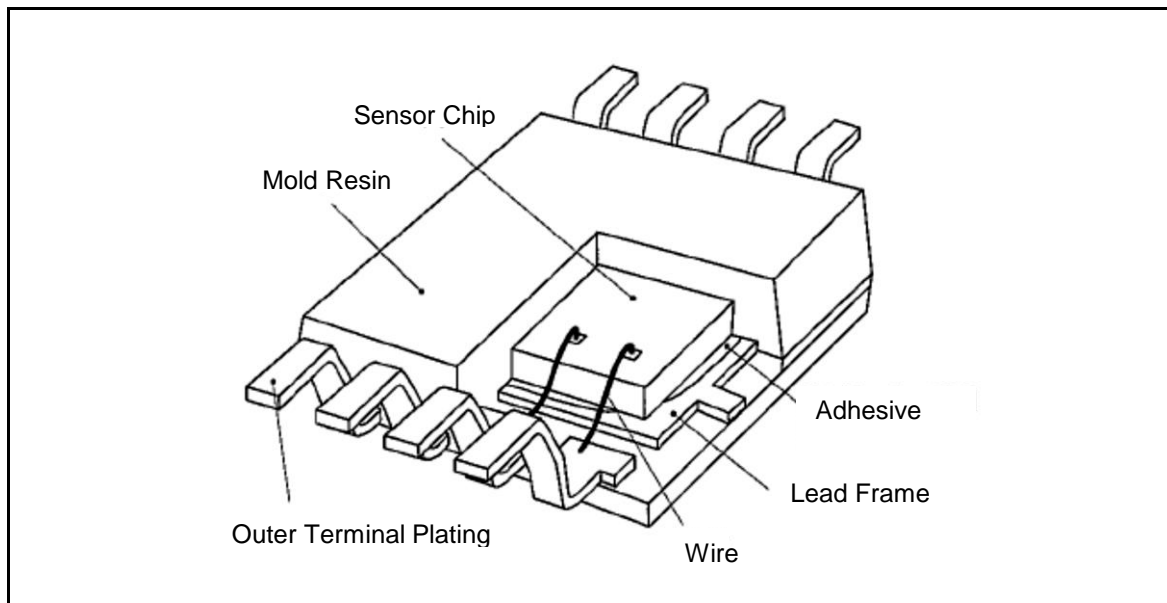


Figure 4-4 Internal Structure

Table 4-1 Components

Process	Parts Name	Materials
Die Mount	Sensor Chip	Si
	Adhesive for Die Bonding	Silver Paste
	Lead Frame	Cu, Ag-Plating
Wire Bonding	Wire	Au
Molding	Mold Resin	Epoxy Resin
Terminal Plating	Outer Terminal Plating	Sn-Bi

**5 Packing Specifications 梱包仕様**

**5.1 Packing Information 梱包情報**

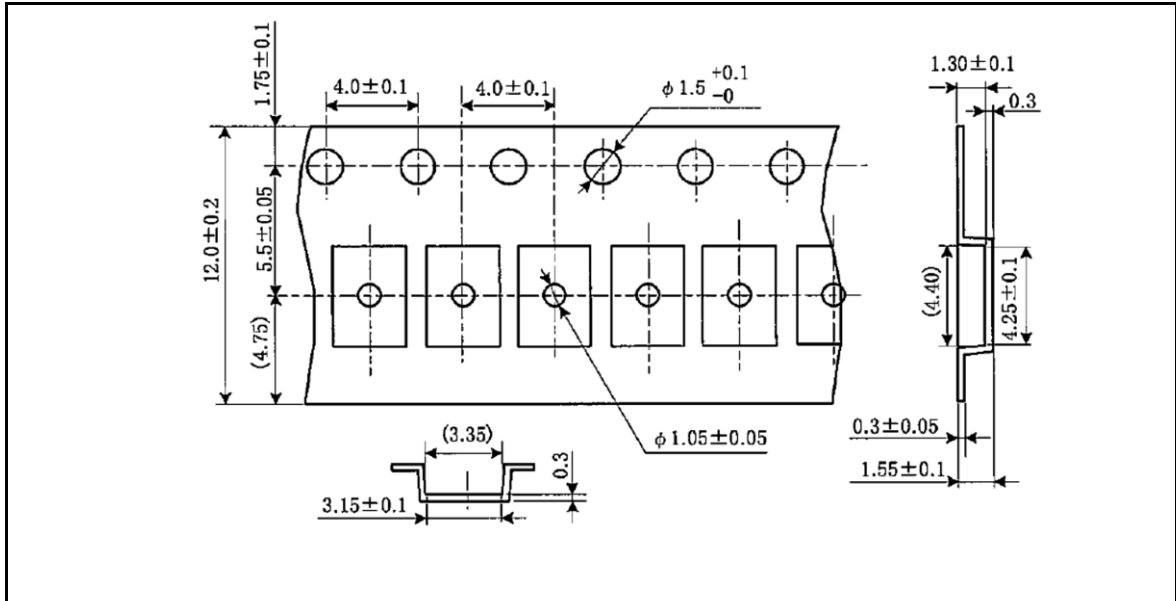


Figure 5-1 Emboss Tape Dimensions

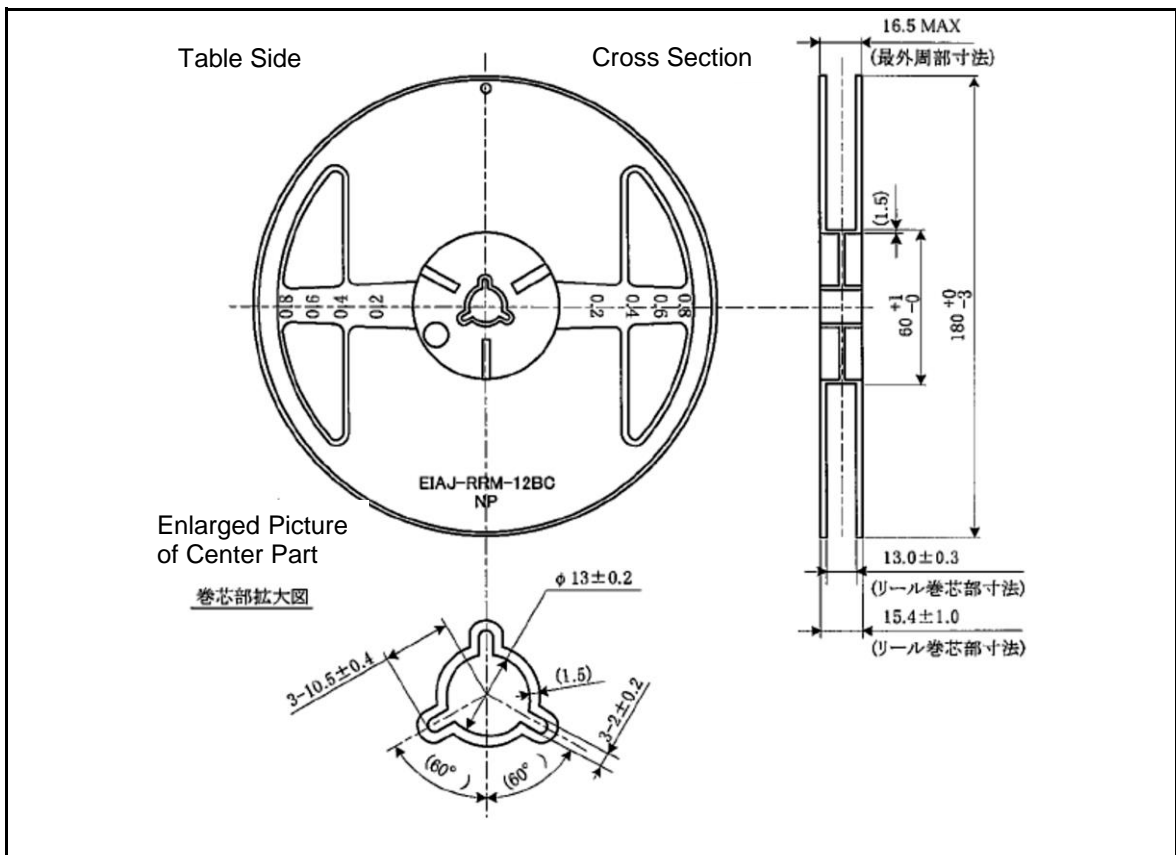


Figure 5-2 Reel Dimensions

5.2 Packing Specifications 梱包仕様

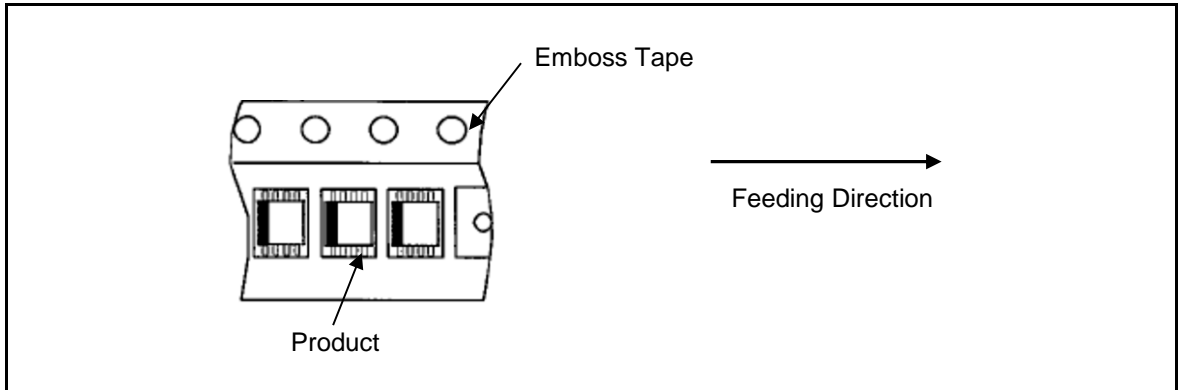


Figure 5-3 Orientation of Product Storing

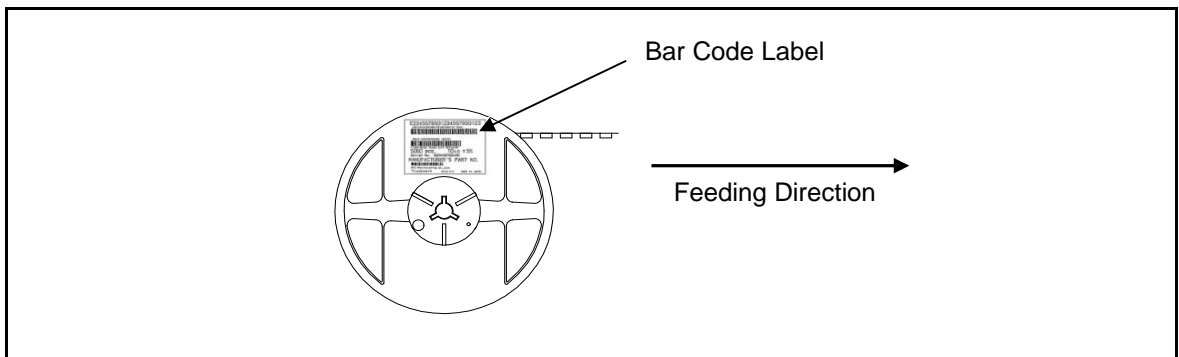


Figure 5-4 Feeding Direction

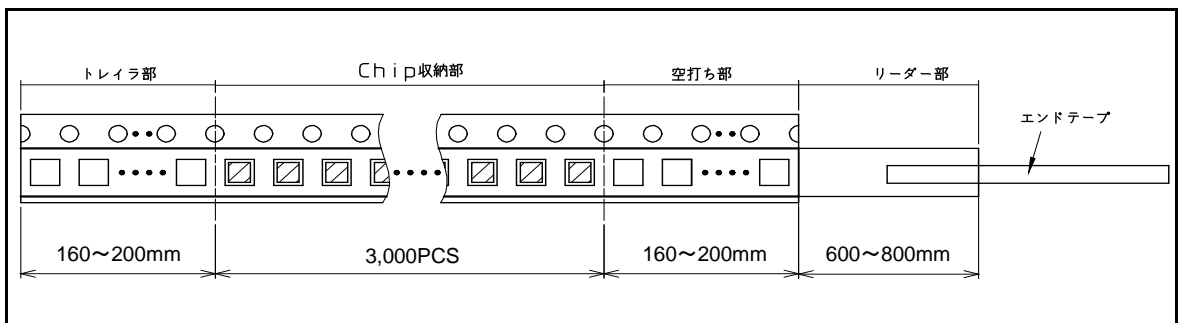


Figure 5-5 Taping Specification

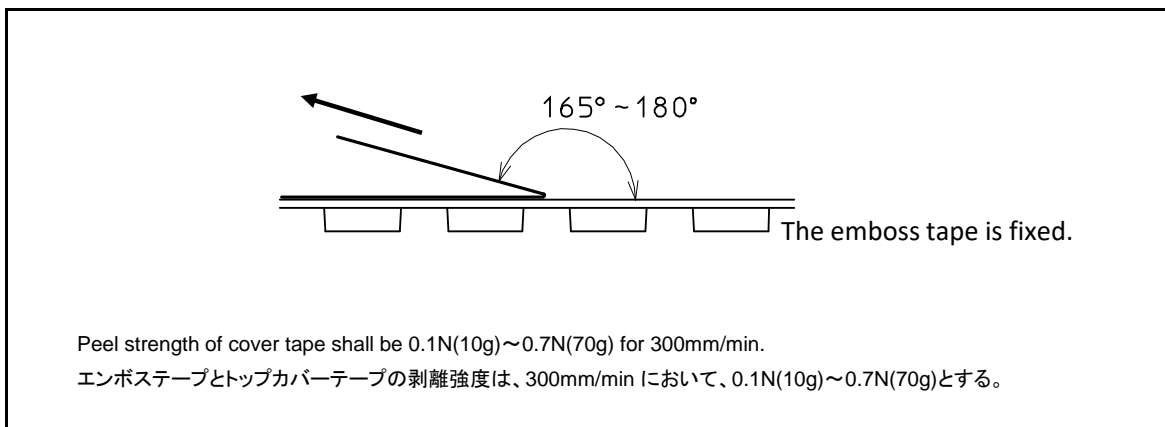


Figure 5-6 Peel Strength

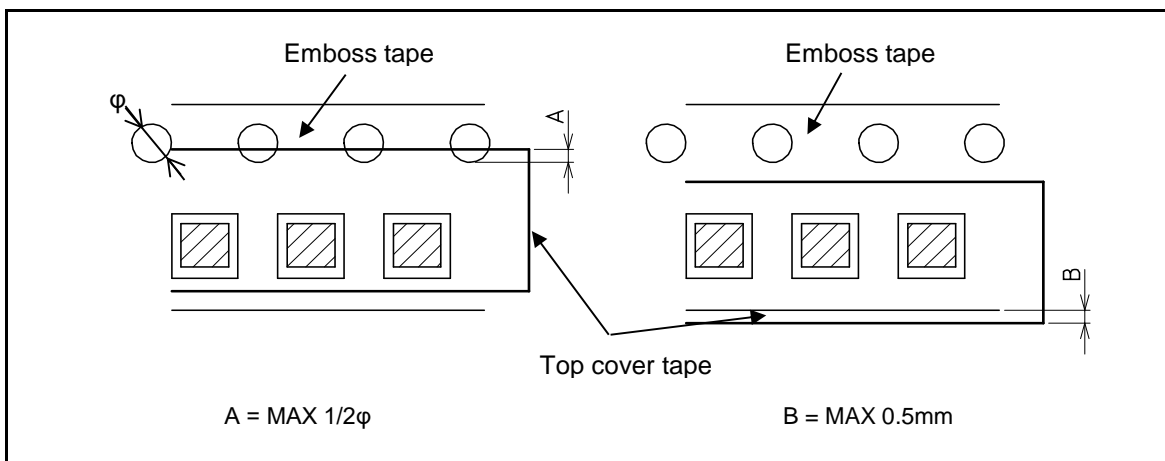


Figure 5-7 Top cover Tape Offset

**6 Reliability Test Conditions 信頼性試験条件**

**6.1 Preconditioning for Reliability Test 信頼性試験の前処理**

Baking [125°C×24Hr] + Moisture Absorption[85±5°C85±5%×168Hr] + Reflow 2times

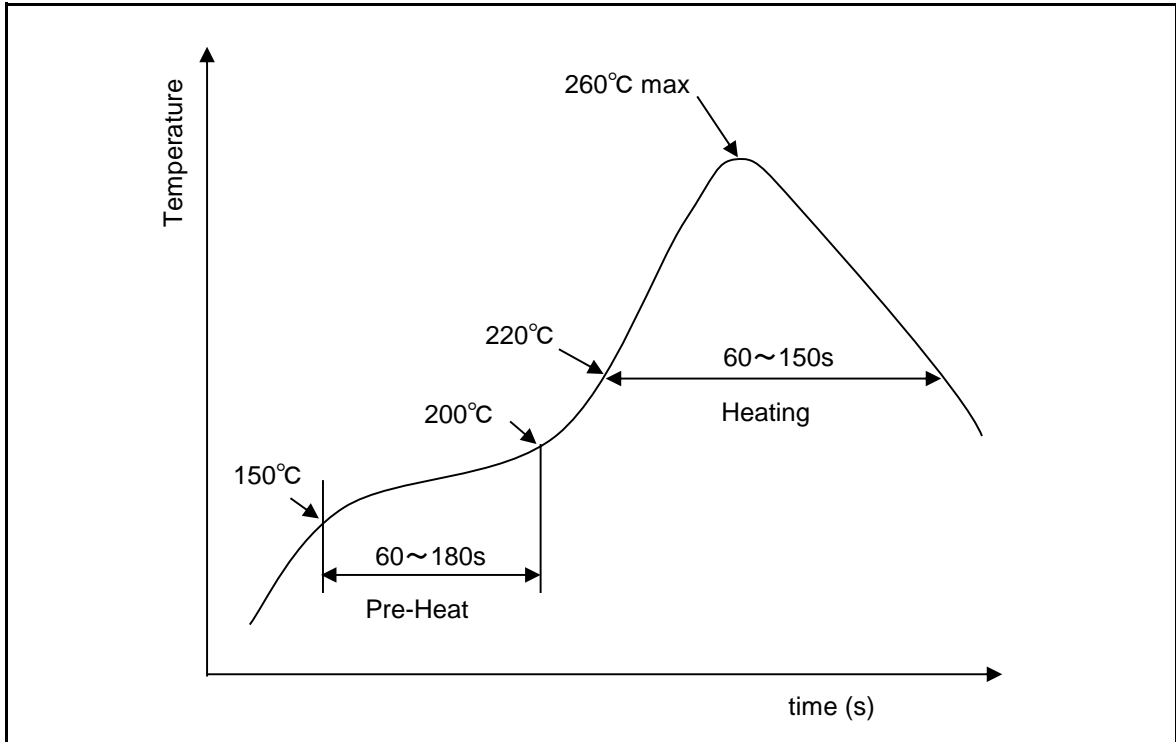


Figure 6-1 Reflow Profile for Pre-Conditioning

**6.2 Reliability Test Items 信頼性試験項目**

Table 6-1 Package Reliability Test Items

Test Items	Testing Methods / Conditions	Testing Time	Pre-Conditioning
Low Temp. Storage	-40±5deg.C	500Hr	N/A
High Temp. High Humidity Bias	+85±5deg.C, 85±5%RH, VDD=5±0.5V Bias	500Hr	Applied
High Temp. Bias	+125±5degC, VDD=5±0.5V Bias	500Hr	Applied
Thermal Cycle	1cycle: -40±3degC(30min)→+125±3degC(30min)	300cycle	Applied
ESD	±350V, 150pF, 330Ω, interval 10sec.	3 times per each terminal	N/A



## 7 Precautions When Handling Magnetic Sensor 製品お取り扱い時の注意

### 7.1 Storage Environment 保管環境

Products should be stored at an appropriate temperature and humidity (Recommended storage condition). Keep products away from chlorine and corrosive gas. There is a thing that influences product features when keeping it in an improper environment.

適切な温度・湿度環境(推奨保管条件)で保管していただけるようお願いいたします。また、塩素や腐食性のあるガスも避けるようお願いします。不適切な環境で保管した場合は、製品特性に影響する事があります。

### 7.2 Long-term Storage 長期保管

Long-term storage may result in poor lead solder ability and degraded electrical performance even under proper conditions. For those part that stored more than 1 year, solder ability should be checked before use. For storage longer than 1 year, it is recommended to store in nitrogen atmosphere. Oxygen in atmosphere oxidant leads of products and lead solder ability get worse.

適切な保管環境でも長期に保管した場合は、リード端子の半田付け性が悪くなったり、電気特性が不良になる場合がありますので、長期保管した場合は、半田付け性や電気特性をご確認の上、ご使用下さい。保管が長期(1年以上)に及ぶ場合は、窒素雰囲気中での保管をお勧めします。大気中で保管されますと、大気中の酸素により素子のリード部分が酸化され、リード端子の半田付け性が悪くなります。

### 7.3 ESD 静電気ESD

This products does NOT have built in ESD protect circuit, so it may break if over ESD applied to this circuit. Please take measure for ESD when handle the products. Conducted container is recommended for product conveyance and packing instead of plastic container. Please connect ground line and use non high voltage leakage, when using soldering iron or external measurement circuit.

本製品は静電気保護回路を内蔵していません。その能力を超える静電気が加わった場合には破壊されることがありますので、製品を取り扱う場合には十分な静電気対策を実施してください。包装・運搬容器はプラスチック製を極力避け、導電容器をご使用ください。また製品のハンドリングについても充分に考慮してください。(リストストラップの使用等)はんだごてや測定回路などは高電圧リークのないものを、必ずアースを取ってご使用ください。

### 7.4 External Magnetic Field 外乱磁場

This sensor has detects the direction of the magnetic field that the installed magnet on the measurement device makes. Therefore, please note that an external magnetic field in the system environment influences the angle detection of the sensor. (see Figure 7-1)

本製品は、被測定物に取付けた磁石が作る磁界の方向を検出しています。従って、使用環境における外部磁界が、センサの角度検出に影響を及ぼしますので、ご注意ください。(Figure 7-1参照)

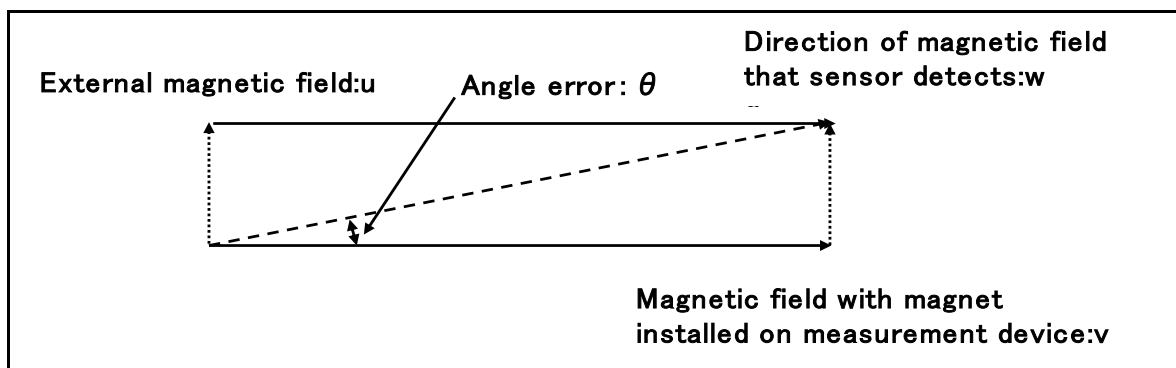


Figure 7-1 Influence on Detection Angle by External Magnetic Field

## 7. LEGAL DISCLAIMER

1. 国内外の輸出関連法規により規制されている製品の輸出に際しては、同法規を遵守の上、必要な許可、手続き等をとってください。

For the export of products which are controlled items subject to foreign and domestic export laws and regulations, you must obtain approval and/or follow the formalities of such laws and regulations.

2. 軍用途又はテロ等の反社会活動目的では、当製品を一切使用しないでください。また、最終的にそれら用途・目的で使用されるおそれがある法人・団体・個人等へも当製品を一切供給しないでください。

Products must not be used for military and/or antisocial purposes such as terrorism, and shall not be supplied to any party intending to use the products for such purposes.

3. 当製品は、特に用途を指定していないかぎり、本来、AV、家電、事務機、情報機器、通信機器、アミューズメント機器等の一般電子機器用に設計、製造されたものです。したがって、原子力制御機器、宇宙・航空機で運行にかかわる機器等の用途では一切使用しないでください。

上記の使用禁止の用途以外で、医療機器、防犯機器、防災機器、海底用機器等の高度の安全性・信頼性を必要とする機器でのご使用の際は、弊社営業担当迄ご相談いただくか、またはセットでの十分な適合性の確認を行っていただいた上で、フェールセーフ設計、保護回路、冗長回路、誤動作防止設計、延焼対策設計等のセットでの安全対策設計を設けてください。

Unless provided otherwise, the products have been designed and manufactured for application to equipment and devices which are sold to end-users in the market, such as AV (audio visual) equipment, home electric equipment, office and commercial electronic equipment, information and communication equipment or amusement equipment. The products are not intended for use in, and must not be used for, any application of nuclear equipment, driving control equipment for aerospace or any other unauthorized use.

With the exception of the above mentioned banned applications, for applications involving high levels of safety and liability such as medical equipment, burglar alarm equipment, disaster prevention equipment and undersea equipment, please contact an Alps sales representative and/or evaluate the total system on the applicability. Also, implement a fail-safe design, protection circuit, redundant circuit, malfunction protection and/or fire protection into the complete system for safety and reliability of the total system.

4. 車載対応製品以外の製品を車載用にご使用される場合は、事前に弊社へご相談ください。

Before using products which were not specifically designed for use in automotive applications, please contact an Alps sales representative.

## Appendix

### A1 List of Figures 図のリスト

Figure 1-1	Image of HGARAP001A in the MSOP-8pin Package	3
Figure 2-1	Pin Configuration	4
Figure 3-1	Evaluation Circuit and Definition of Magnetic Field Direction	8
Figure 3-2	Equivalent Circuit	8
Figure 3-3	Definition of $V_{sin}$ , $V_{cos}$ , and $P_{diff}$	9
Figure 4-1	Package Outline (All dimensions in mm)	10
Figure 4-2	Recommended Footprint (Reference)	11
Figure 4-3	Marking of HGARAP001A	11
Figure 4-4	Internal Structure	12
Figure 5-1	Emboss Tape Dimensions	13
Figure 5-2	Reel Dimensions	13
Figure 5-3	Orientation of Product Storing	14
Figure 5-4	Feeding Direction	14
Figure 5-5	Taping Specification	14
Figure 5-6	Peel Strength	15
Figure 5-7	Top cover Tape Offset	15
Figure 6-1	Reflow Profile for Pre-Conditioning	16
Figure 7-1	Influence on Detection Angle by External Magnetic Field	17

### A2 List of Tables 表のリスト

Table 2-1	Pin Description	4
Table 3-1	Absolute Maximum Rating Parameters	5
Table 3-2	Operating Conditions	5
Table 3-3	Basic Characteristics	6
Table 3-4	Electric Characteristics @25deg.C	6
Table 4-1	Components	12
Table 6-1	Package Reliability Test Items	16

**Appendix**

## A3 Document Revision History 改定履歴

Datasheet Rev.	Date	Note
01	Aug.21, 2015	First release
02	Feb.07, 2019	Change company name to ALPSALPINE



Компания «ЭлектроПласт» предлагает заключение долгосрочных отношений при поставках импортных электронных компонентов на взаимовыгодных условиях!

Наши преимущества:

- Оперативные поставки широкого спектра электронных компонентов отечественного и импортного производства напрямую от производителей и с крупнейших мировых складов;
- Поставка более 17-ти миллионов наименований электронных компонентов;
- Поставка сложных, дефицитных, либо снятых с производства позиций;
- Оперативные сроки поставки под заказ (от 5 рабочих дней);
- Экспресс доставка в любую точку России;
- Техническая поддержка проекта, помощь в подборе аналогов, поставка прототипов;
- Система менеджмента качества сертифицирована по Международному стандарту ISO 9001;
- Лицензия ФСБ на осуществление работ с использованием сведений, составляющих государственную тайну;
- Поставка специализированных компонентов (Xilinx, Altera, Analog Devices, Intersil, Interpoint, Microsemi, Aeroflex, Peregrine, Syfer, Eurofarad, Texas Instrument, Miteq, Cobham, E2V, MA-COM, Hittite, Mini-Circuits, General Dynamics и др.);

Помимо этого, одним из направлений компании «ЭлектроПласт» является направление «Источники питания». Мы предлагаем Вам помощь Конструкторского отдела:

- Подбор оптимального решения, техническое обоснование при выборе компонента;
- Подбор аналогов;
- Консультации по применению компонента;
- Поставка образцов и прототипов;
- Техническая поддержка проекта;
- Защита от снятия компонента с производства.



#### Как с нами связаться

**Телефон:** 8 (812) 309 58 32 (многоканальный)

**Факс:** 8 (812) 320-02-42

**Электронная почта:** [org@eplast1.ru](mailto:org@eplast1.ru)

**Адрес:** 198099, г. Санкт-Петербург, ул. Калинина, дом 2, корпус 4, литера А.