



The SST39VF801C / SST39VF802C / SST39LF801C / SST39LF802C are 512K x16 CMOS Multi-Purpose Flash Plus (MPF+) manufactured with SST proprietary, high performance CMOS SuperFlash® technology. The split-gate cell design and thick-oxide tunneling injector attain better reliability and manufacturability compared with alternate approaches. The SST39VF801C / SST39VF802C / SST39LF801C / SST39LF802C write (Program or Erase) with a 2.7-3.6V power supply. These devices conform to JEDEC standard pinouts for x16 memories.

## Features

- **Organized as 512K x16**
- **Single Voltage Read and Write Operations**
  - 2.7-3.6V for SST39VF801C/802C
  - 3.0-3.6V for SST39LF801C/802C
- **Superior Reliability**
  - Endurance: 100,000 Cycles (Typical)
  - Greater than 100 years Data Retention
- **Low Power Consumption (typical values at 5 MHz)**
  - Active Current: 5 mA (typical)
  - Standby Current: 3  $\mu$ A (typical)
  - Auto Low Power Mode: 3  $\mu$ A (typical)
- **Hardware Block-Protection/WP# Input Pin**
  - Top Block-Protection (top 8 KWord)
  - Bottom Block-Protection (bottom 8 KWord)
- **Sector-Erase Capability**
  - Uniform 2 KWord sectors
- **Block-Erase Capability**
  - Flexible block architecture; one 8-, two 4-, one 16-, and fifteen 32-KWord blocks
- **Chip-Erase Capability**
- **Erase-Suspend/Erase-Resume Capabilities**
- **Hardware Reset Pin (RST#)**
- **Latched Address and Data**
- **Security-ID Feature**
  - SST: 128 bits; User: 128 words
- **Fast Read Access Time:**
  - 70 ns for SST39VF801C/802C
  - 55 ns for SST39LF801C/802C
- **Fast Erase and Word-Program:**
  - Sector-Erase Time: 18 ms (typical)
  - Block-Erase Time: 18 ms (typical)
  - Chip-Erase Time: 40 ms (typical)
  - Word-Program Time: 7  $\mu$ s (typical)
- **Automatic Write Timing**
  - Internal V<sub>PP</sub> Generation
- **End-of-Write Detection**
  - Toggle Bits
  - Data# Polling
  - Ready/Busy# Pin
- **CMOS I/O Compatibility**
- **JEDEC Standard**
  - Flash EEPROM Pinouts and command sets
- **Packages Available**
  - 48-lead TSOP (12mm x 20mm)
  - 48-ball TFBGA (6mm x 8mm)
  - 48-ball WFBGA (4mm x 6mm)
- **All devices are RoHS compliant**



## Product Description

The SST39VF801C/802C and SST39LF801C/802C devices are 512K x16 CMOS Multi-Purpose Flash Plus (MPF+) manufactured with SST proprietary, high performance CMOS SuperFlash technology. The split-gate cell design and thick-oxide tunneling injector attain better reliability and manufacturability compared with alternate approaches. The SST39VF801C/802C and SST39LF801C/802C write (Program or Erase) with a 2.7-3.6V power supply. These devices conform to JEDEC standard pinouts for x16 memories.

Featuring high performance Word-Program, the SST39VF801C/802C and SST39LF801C/802C devices provide a typical Word-Program time of 7  $\mu$ sec. These devices use Toggle Bit, Data# Polling, or the RY/BY# pin to indicate the completion of Program operation. To protect against inadvertent write, they have on-chip hardware and Software Data Protection schemes. Designed, manufactured, and tested for a wide spectrum of applications, these devices are offered with a guaranteed typical endurance of 100,000 cycles. Data retention is rated at greater than 100 years.

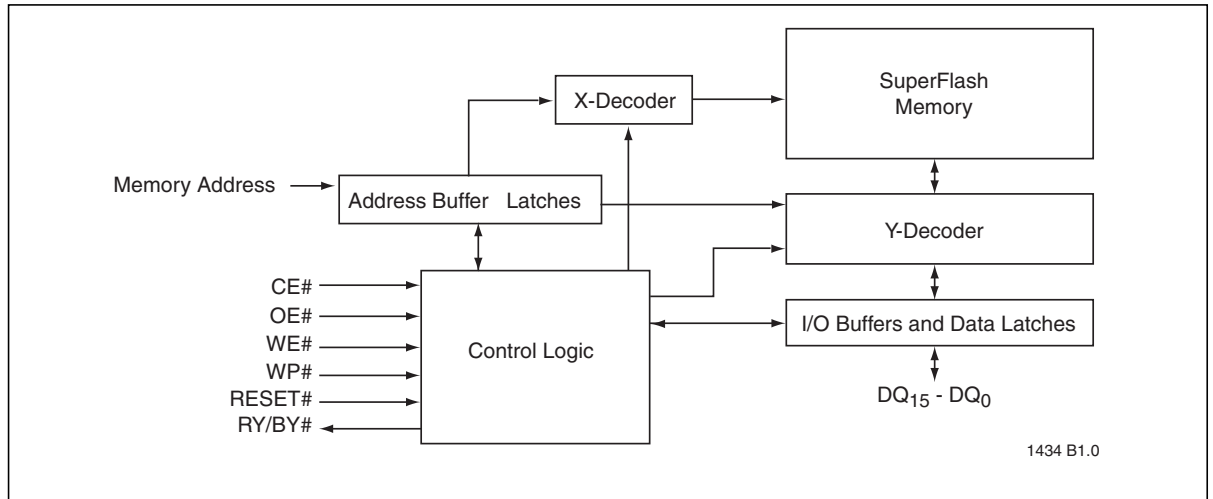
The SST39VF801C/802C and SST39LF801C/802C devices are suited for applications that require convenient and economical updating of program, configuration, or data memory. For all system applications, they significantly improve performance and reliability, while lowering power consumption. They inherently use less energy during Erase and Program than alternative flash technologies. The total energy consumed is a function of the applied voltage, current, and time of application. Since for any given voltage range, the SuperFlash technology uses less current to program and has a shorter erase time, the total energy consumed during any Erase or Program operation is less than alternative flash technologies. These devices also improve flexibility while lowering the cost for program, data, and configuration storage applications.

The SuperFlash technology provides fixed Erase and Program times, independent of the number of Erase/Program cycles that have occurred. Therefore the system software or hardware does not have to be modified or de-rated as is necessary with alternative flash technologies, whose Erase and Program times increase with accumulated Erase/Program cycles.

To meet high density, surface mount requirements, the SST39VF801C/802C and SST39LF801C/802C are offered in 48-lead TSOP, 48-ball TFBGA, and 48-ball WFBGA packages. See Figures 2, 3, and 4 for pin assignments.



## Block Diagrams



**Figure 1:** Functional Block Diagram



## Pin Assignment

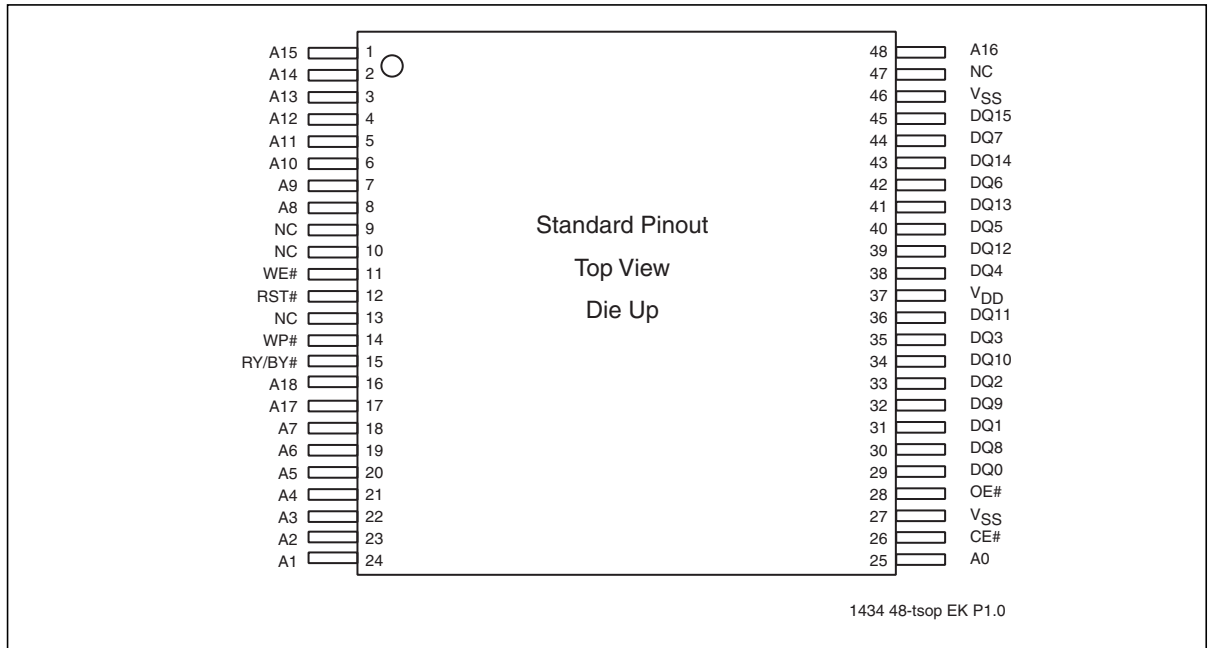


Figure 2: Pin Assignments for 48-Lead TSOP

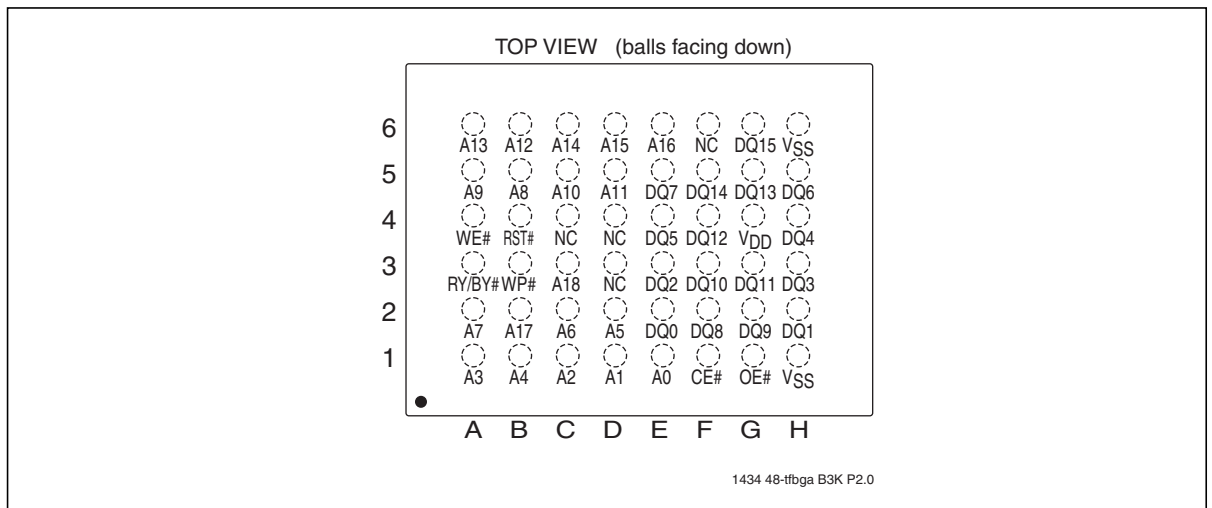
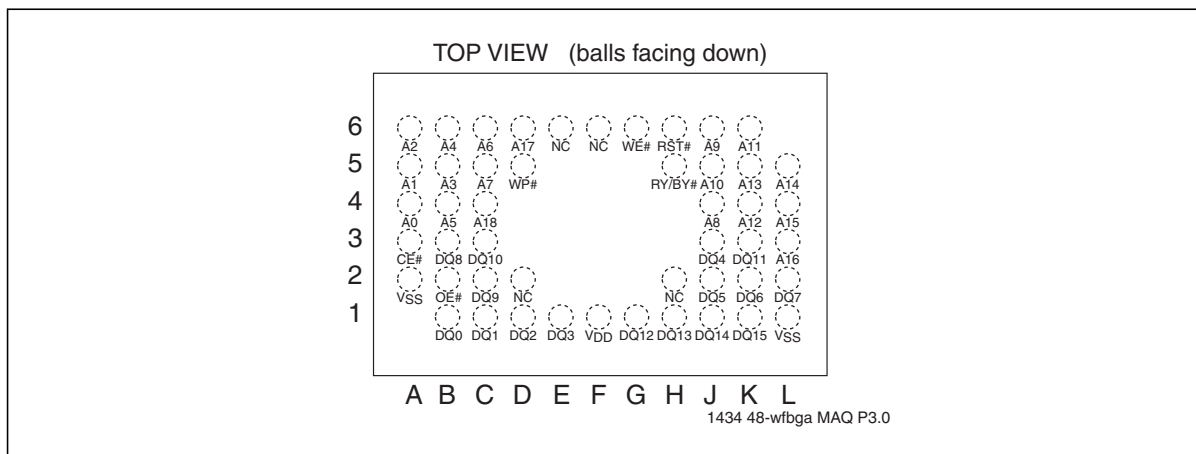


Figure 3: Pin Assignments for 48-Ball TFBGA



# 8 Mbit (x16) Multi-Purpose Flash Plus

## SST39VF801C / SST39VF802C / SST39LF801C / SST39LF802C



**Figure 4:** Pin Assignments for 48-Ball WFBGA

**Table 1:** Pin Description

| Symbol                            | Pin Name          | Functions   |
|-----------------------------------|-------------------|---|
| $A_{MS}^1$ -A <sub>0</sub>        | Address Inputs    | To provide memory addresses.<br>During Sector-Erase $A_{MS}$ -A <sub>11</sub> address lines will select the sector.<br>During Block-Erase $A_{MS}$ -A <sub>15</sub> address lines will select the block.          |
| DQ <sub>15</sub> -DQ <sub>0</sub> | Data Input/output | To output data during Read cycles and receive input data during Write cycles.<br>Data is internally latched during a Write cycle.<br>The outputs are in tri-state when OE# or CE# is high.                        |
| WP#                               | Write Protect     | To protect the top/bottom boot block from Erase/Program operation when grounded.  |
| RST#                              | Reset             | To reset and return the device to Read mode.  |
| CE#                               | Chip Enable       | To activate the device when CE# is low.   |
| OE#                               | Output Enable     | To gate the data output buffers.  |
| WE#                               | Write Enable      | To control the Write operations.  |
| V <sub>DD</sub>                   | Power Supply      | To provide power supply voltage: 2.7-3.6V   |
| V <sub>SS</sub>                   | Ground            |   |
| NC                                | No Connection     | Unconnected pins.   |
| RY/BY#                            | Ready/Busy#       | To output the status of a Program or Erase operation<br>RY/BY# is an open drain output, so a 10KΩ - 100KΩ pull-up resistor is required to allow RY/BY# to transition high indicating the device is ready to read. |

T1.2.25041

1.  $A_{MS}$  = Most significant address  
 $A_{MS}$  = A<sub>18</sub>



# 8 Mbit (x16) Multi-Purpose Flash Plus

## SST39VF801C / SST39VF802C / SST39LF801C / SST39LF802C

**Table 2:** Top / Bottom Boot Block Address

| Top Boot Block Address<br>SST39VF802C/SST39LF802C |                 |               |
|---|-----------------|---------------|
| #   | Size<br>(KWord) | Address Range |
| 18  | 8               | 7E000H-7FFFFH |
| 17  | 4               | 7D000H-7DFFFH |
| 16  | 4               | 7C000H-7CFFFH |
| 15  | 16              | 78000H-7BFFFH |
| 14  | 32              | 70000H-77FFFH |
| 13  | 32              | 68000H-67FFFH |
| 12  | 32              | 60000H-67FFFH |
| 11  | 32              | 58000H-57FFFH |
| 10  | 32              | 50000H-57FFFH |
| 9   | 32              | 48000H-47FFFH |
| 8   | 32              | 40000H-47FFFH |
| 7   | 32              | 38000H-37FFFH |
| 6   | 32              | 30000H-37FFFH |
| 5   | 32              | 28000H-27FFFH |
| 4   | 32              | 20000H-27FFFH |
| 3   | 32              | 18000H-17FFFH |
| 2   | 32              | 10000H-17FFFH |
| 1   | 32              | 08000H-07FFFH |
| 0   | 32              | 00000H-07FFFH |

| Bottom Boot Block Address<br>SST39VF801C/SST39LF801C |                 |               |
|--|-----------------|---------------|
| #  | Size<br>(KWord) | Address Range |
| 18   | 32              | 78000H-7FFFFH |
| 17   | 32              | 70000H-77FFFH |
| 16   | 32              | 68000H-67FFFH |
| 15   | 32              | 60000H-67FFFH |
| 14   | 32              | 58000H-57FFFH |
| 13   | 32              | 50000H-57FFFH |
| 12   | 32              | 48000H-47FFFH |
| 11   | 32              | 40000H-47FFFH |
| 10   | 32              | 38000H-37FFFH |
| 9  | 32              | 30000H-37FFFH |
| 8  | 32              | 28000H-27FFFH |
| 7  | 32              | 20000H-27FFFH |
| 6  | 32              | 18000H-17FFFH |
| 5  | 32              | 10000H-17FFFH |
| 4  | 32              | 08000H-07FFFH |
| 3  | 16              | 04000H-07FFFH |
| 2  | 4               | 03000H-03FFFH |
| 1  | 4               | 02000H-02FFFH |
| 0  | 8               | 00000H-01FFFH |

T2.25041



## Device Operation

Commands are used to initiate the memory operation functions of the device. Commands are written to the device using standard microprocessor write sequences. A command is written by asserting WE# low while keeping CE# low. The address bus is latched on the falling edge of WE# or CE#, whichever occurs last. The data bus is latched on the rising edge of WE# or CE#, whichever occurs first.

The SST39VF801C/802C and SST39LF801C/802C also have the Auto Low Power mode which puts the device in a near standby mode after data has been accessed with a valid Read operation. This reduces the  $I_{DD}$  active read current from typically 5 mA to typically 3  $\mu$ A. The Auto Low Power mode reduces the typical  $I_{DD}$  active read current to the range of 2 mA/MHz of Read cycle time. The device exits the Auto Low Power mode with any address transition or control signal transition used to initiate another Read cycle, with no access time penalty. Note that the device does not enter Auto-Low Power mode after power-up with CE# held steadily low, until the first address transition or CE# is driven high.

### Read

The Read operation of the SST39VF801C/802C and SST39LF801C/802C is controlled by CE# and OE#, both have to be low for the system to obtain data from the outputs. CE# is used for device selection. When CE# is high, the chip is deselected and only standby power is consumed. OE# is the output control and is used to gate data from the output pins. The data bus is in high impedance state when either CE# or OE# is high. Refer to the Read cycle timing diagram for further details (Figure 6).

### Word-Program Operation

The SST39VF801C/802C and SST39LF801C/802C are programmed on a word-by-word basis. Before programming, the sector where the word exists must be fully erased. The Program operation is accomplished in three steps. The first step is the three-byte load sequence for Software Data Protection. The second step is to load word address and word data. During the Word-Program operation, the addresses are latched on the falling edge of either CE# or WE#, whichever occurs last. The data is latched on the rising edge of either CE# or WE#, whichever occurs first. The third step is the internal Program operation which is initiated after the rising edge of the fourth WE# or CE#, whichever occurs first. The Program operation, once initiated, will be completed within 10  $\mu$ s. See Figures 7 and 8 for WE# and CE# controlled Program operation timing diagrams and Figure 22 for flowcharts. During the Program operation, the only valid reads are Data# Polling and Toggle Bit. During the internal Program operation, the host is free to perform additional tasks. Any commands issued during the internal Program operation are ignored. During the command sequence, WP# should be statically held high or low.

### Sector/Block-Erase Operation

The Sector- (or Block-) Erase operation allows the system to erase the device on a sector-by-sector (or block-by-block) basis. The SST39VF801C/802C and SST39LF801C/802C offer both Sector-Erase and Block-Erase mode.

The sector architecture is based on a uniform sector size of 2 KWord. The Block-Erase mode is based on non-uniform block sizes—fifteen 32 KWord, one 16 KWord, two 4 KWord, and one 8 KWord blocks. See Figure 2 for top and bottom boot device block addresses. The Sector-Erase operation is initiated by executing a six-byte command sequence with Sector-Erase command (50H) and sector address (SA) in the last bus cycle. The Block-Erase operation is initiated by executing a six-byte command sequence with Block-Erase command (30H) and block address (BA) in the last bus cycle. The sector or block address is latched on the falling edge of the sixth WE# pulse, while the command (30H or 50H) is latched on the rising edge of the sixth WE# pulse. The internal Erase operation begins after the



sixth WE# pulse. The End-of-Erase operation can be determined using either Data# Polling or Toggle Bit methods. See Figures 12 and 13 for timing waveforms and Figure 26 for the flowchart. Any commands issued during the Sector- or Block-Erase operation are ignored. When WP# is low, any attempt to Sector- (Block-) Erase the protected block will be ignored. During the command sequence, WP# should be statically held high or low.

### Erase-Suspend/Erase-Resume Commands

The Erase-Suspend operation temporarily suspends a Sector- or Block-Erase operation thus allowing data to be read from any memory location, or program data into any sector/block that is not suspended for an Erase operation. The operation is executed by issuing one byte command sequence with Erase-Suspend command (B0H). The device automatically enters read mode typically within 20  $\mu$ s after the Erase-Suspend command had been issued. Valid data can be read from any sector or block that is not suspended from an Erase operation. Reading at address location within erase-suspended sectors/blocks will output DQ<sub>2</sub> toggling and DQ<sub>6</sub> at '1'. While in Erase-Suspend mode, a Word-Program operation is allowed except for the sector or block selected for Erase-Suspend.

To resume Sector-Erase or Block-Erase operation which has been suspended the system must issue Erase Resume command. The operation is executed by issuing one byte command sequence with Erase Resume command (30H) at any address in the last Byte sequence.

### Chip-Erase Operation

The SST39VF801C/802C and SST39LF801C/802C provide a Chip-Erase operation, which allows the user to erase the entire memory array to the '1' state. This is useful when the entire device must be quickly erased.

The Chip-Erase operation is initiated by executing a six-byte command sequence with Chip-Erase command (10H) at address 555H in the last byte sequence. The Erase operation begins with the rising edge of the sixth WE# or CE#, whichever occurs first. During the Erase operation, the only valid read is Toggle Bit or Data# Polling. See Table 7 for the command sequence, Figure 11 for timing diagram, and Figure 26 for the flowchart. Any commands issued during the Chip-Erase operation are ignored. When WP# is low, any attempt to Chip-Erase will be ignored. During the command sequence, WP# should be statically held high or low.

### Write Operation Status Detection

The SST39VF801C/802C and SST39LF801C/802C provide two software means to detect the completion of a Write (Program or Erase) cycle, in order to optimize the system write cycle time. The software detection includes two status bits: Data# Polling (DQ<sub>7</sub>) and Toggle Bit (DQ<sub>6</sub>). The End-of-Write detection mode is enabled after the rising edge of WE#, which initiates the internal Program or Erase operation.

The actual completion of the nonvolatile write is asynchronous with the system; therefore, either a Data# Polling or Toggle Bit read may be simultaneous with the completion of the write cycle. If this occurs, the system may possibly get an erroneous result, i.e., valid data may appear to conflict with either DQ<sub>7</sub> or DQ<sub>6</sub>. In order to prevent spurious rejection, if an erroneous result occurs, the software routine should include a loop to read the accessed location an additional two (2) times. If both reads are valid, then the device has completed the Write cycle, otherwise the rejection is valid.





### Ready/Busy# (RY/BY#)

The devices include a Ready/Busy# (RY/BY#) output signal. RY/BY# is an open drain output pin that indicates whether an Erase or Program operation is in progress. Since RY/BY# is an open drain output, it allows several devices to be tied in parallel to  $V_{DD}$  via an external pull-up resistor. After the rising edge of the final WE# pulse in the command sequence, the RY/BY# status is valid.

When RY/BY# is actively pulled low, it indicates that an Erase or Program operation is in progress. When RY/BY# is high (Ready), the devices may be read or left in standby mode.

### Data# Polling (DQ<sub>7</sub>)

When the SST39VF801C/802C and SST39LF801C/802C are in the internal Program operation, any attempt to read DQ<sub>7</sub> will produce the complement of the true data. Once the Program operation is completed, DQ<sub>7</sub> will produce true data. Note that even though DQ<sub>7</sub> may have valid data immediately following the completion of an internal Write operation, the remaining data outputs may still be invalid: valid data on the entire data bus will appear in subsequent successive Read cycles after an interval of 1  $\mu$ s. During internal Erase operation, any attempt to read DQ<sub>7</sub> will produce a '0'. Once the internal Erase operation is completed, DQ<sub>7</sub> will produce a '1'. The Data# Polling is valid after the rising edge of fourth WE# (or CE#) pulse for Program operation. For Sector-, Block- or Chip-Erase, the Data# Polling is valid after the rising edge of sixth WE# (or CE#) pulse. See Figure 9 for Data# Polling timing diagram and Figure 23 for a flowchart.

### Toggle Bits (DQ<sub>6</sub> and DQ<sub>2</sub>)

During the internal Program or Erase operation, any consecutive attempts to read DQ<sub>6</sub> will produce alternating '1's and '0's, i.e., toggling between 1 and 0. When the internal Program or Erase operation is completed, the DQ<sub>6</sub> bit will stop toggling. The device is then ready for the next operation. For Sector-, Block-, or Chip-Erase, the toggle bit (DQ<sub>6</sub>) is valid after the rising edge of sixth WE# (or CE#) pulse. DQ<sub>6</sub> will be set to '1' if a Read operation is attempted on an Erase-Suspended Sector/Block. If Program operation is initiated in a sector/block not selected in Erase-Suspend mode, DQ<sub>6</sub> will toggle.

An additional Toggle Bit is available on DQ<sub>2</sub>, which can be used in conjunction with DQ<sub>6</sub> to check whether a particular sector is being actively erased or erase-suspended. Table 3 shows detailed status bits information. The Toggle Bit (DQ<sub>2</sub>) is valid after the rising edge of the last WE# (or CE#) pulse of Write operation. See Figure 10 for Toggle Bit timing diagram and Figure 23 for a flowchart.

**Table 3:** Write Operation Status

| Status             |  | DQ <sub>7</sub>   | DQ <sub>6</sub> | DQ <sub>2</sub> | RY/BY# |
|--------------------|--|-------------------|-----------------|-----------------|--------|
| Normal Operation   | Standard Program                           | DQ <sub>7</sub> # | Toggle          | No Toggle       | 0      |
|                    | Standard Erase                             | 0                 | Toggle          | Toggle          | 0      |
| Erase-Suspend Mode | Read from Erase-Suspended Sector/Block     | 1                 | 1               | Toggle          | 1      |
|                    | Read from Non-Erase-Suspended Sector/Block | Data              | Data            | Data            | 1      |
|                    | Program                                    | DQ <sub>7</sub> # | Toggle          | N/A             | 0      |

T3.0 25041

**Note:** DQ<sub>7</sub> and DQ<sub>2</sub> require a valid address when reading status information.



### Data Protection

The SST39VF801C/802C and SST39LF801C/802C provide both hardware and software features to protect nonvolatile data from inadvertent writes.

### Hardware Data Protection

Noise/Glitch Protection: A WE# or CE# pulse of less than 5 ns will not initiate a write cycle.

V<sub>DD</sub> Power Up/Down Detection: The Write operation is inhibited when V<sub>DD</sub> is less than 1.5V.

Write Inhibit Mode: Forcing OE# low, CE# high, or WE# high will inhibit the Write operation. This prevents inadvertent writes during power-up or power-down.

### Hardware Block Protection

The SST39VF802C/SST39LF802C support top hardware block protection, which protects the top 8 KWord block of the device. The SST39VF801C/SST39LF801C support bottom hardware block protection, which protects the bottom 8KWord block of the device. The Boot Block address ranges are described in Table 4. Program and Erase operations are prevented on the 8 KWord when WP# is low. If WP# is left floating, it is internally held high via a pull-up resistor, and the Boot Block is unprotected, enabling Program and Erase operations on that block.

**Table 4:** Boot Block Address Ranges

| Product   | Address Range     |
|---|-------------------|
| <b>Bottom Boot Block</b><br>SST39VF801C/SST39LF801C | 00000H - 01FFFFH  |
| <b>Top Boot Block</b><br>SST39VF802C/SST39LF802C    | 7E000H - 7FFFFFFH |

T4.0 25041

### Hardware Reset (RST#)

The RST# pin provides a hardware method of resetting the device to read array data. When the RST# pin is held low for at least T<sub>RP</sub>, any in-progress operation will terminate and return to Read mode. When no internal Program/Erase operation is in progress, a minimum period of T<sub>RHR</sub> is required after RST# is driven high before a valid Read can take place (see Figure 18).

The Erase or Program operation that has been interrupted needs to be re-initiated after the device resumes normal operation mode to ensure data integrity.

### Software Data Protection (SDP)

The SST39VF801C/802C and SST39LF801C/802C provide the JEDEC approved Software Data Protection scheme for all data alteration operations, i.e., Program and Erase. Any Program operation requires the inclusion of the three-byte sequence. The three-byte load sequence is used to initiate the Program operation, providing optimal protection from inadvertent Write operations, e.g., during the system power-up or power-down. Any Erase operation requires the inclusion of six-byte sequence. These devices are shipped with the Software Data Protection permanently enabled. See Table 7 for



the specific software command codes. During SDP command sequence, invalid commands will abort the device to read mode within  $T_{RC}$ . The contents of  $DQ_{15}$ - $DQ_8$  can be  $V_{IL}$  or  $V_{IH}$ , but no other value, during any SDP command sequence.

### Common Flash Memory Interface (CFI)

The SST39VF801C/802C and SST39LF801C/802C also contain the CFI information to describe the characteristics of the device. In order to enter the CFI Query mode, the system writes a three-byte sequence, same as product ID entry command with 98H (CFI Query command) to address 555H in the last byte sequence. Additionally, the system can use the one-byte sequence with 55H on the Address and 89H on the Data Bus to enter the CFI Query mode. Once the device enters the CFI Query mode, the system can read CFI data at the addresses given in Tables 8 through 10. The system must write the CFI Exit command to return to Read mode from the CFI Query mode.

### Product Identification

The Product Identification mode identifies the devices as the SST39VF801C / SST39VF802C / SST39LF801C / SST39LF802C, and manufacturer as SST. This mode may be accessed software operations. Users may use the Software Product Identification operation to identify the part (i.e., using the device ID) when using multiple manufacturers in the same socket. For details, see Table 7 for software operation, Figure 14 for the Software ID Entry and Read timing diagram and Figure 24 for the Software ID Entry command sequence flowchart.

**Table 5:** Product Identification

|                         | Address | Data  |
|-------------------------|---------|-------|
| Manufacturer's ID       | 0000H   | BFH   |
| Device ID               |         |       |
| SST39VF801C/SST39LF801C | 0001H   | 233BH |
| SST39VF802C/SST39LF802C | 0001H   | 233AH |

T5.2 25041

### Product Identification Mode Exit/CFI Mode Exit

In order to return to the standard Read mode, the Software Product Identification mode must be exited. Exit is accomplished by issuing the Software ID Exit command sequence, which returns the device to the Read mode. This command may also be used to reset the device to the Read mode after any inadvertent transient condition that apparently causes the device to behave abnormally, e.g., not read correctly. Please note that the Software ID Exit/CFI Exit command is ignored during an internal Program or Erase operation. See Table 7 for software command codes, Figure 16 for timing waveform, and Figure 25 for flowcharts.



### Security ID

The SST39VF801C/802C and SST39LF801C/802C devices offer a 136 Word Security ID space. The Secure ID space is divided into two segments—one factory programmed segment and one user programmed segment. The first segment is programmed and locked at SST with a random 128-bit number. The user segment, with a 128 word space, is left un-programmed for the customer to program as desired.

To program the user segment of the Security ID, the user must use the Security ID Word-Program command. To detect end-of-write for the SEC ID, read the toggle bits. Do not use Data# Polling. Once this is complete, the Sec ID should be locked using the User Sec ID Program Lock-Out. This disables any future corruption of this space. Note that regardless of whether or not the Sec ID is locked, neither Sec ID segment can be erased.

The Secure ID space can be queried by executing a three-byte command sequence with Enter Sec ID command (88H) at address 555H in the last byte sequence. To exit this mode, the Exit Sec ID command should be executed. Refer to Table 7 for more details.



## Operations

**Table 6:** Operation Modes Selection

| Mode                   | CE#             | OE#             | WE#             | DQ                       | Address                                     |
|------------------------|-----------------|-----------------|-----------------|--------------------------|---|
| Read                   | V <sub>IL</sub> | V <sub>IL</sub> | V <sub>IH</sub> | D <sub>OUT</sub>         | A <sub>IN</sub>                             |
| Program                | V <sub>IL</sub> | V <sub>IH</sub> | V <sub>IL</sub> | D <sub>IN</sub>          | A <sub>IN</sub>                             |
| Erase                  | V <sub>IL</sub> | V <sub>IH</sub> | V <sub>IL</sub> | X <sup>1</sup>           | Sector or block address, XXH for Chip-Erase |
| Standby                | V <sub>IH</sub> | X               | X               | High Z                   | X   |
| Write Inhibit          | X               | V <sub>IL</sub> | X               | High Z/ D <sub>OUT</sub> | X   |
|                        | X               | X               | V <sub>IH</sub> | High Z/ D <sub>OUT</sub> | X   |
| Product Identification |                 |                 |                 |                          |   |
| Software Mode          | V <sub>IL</sub> | V <sub>IL</sub> | V <sub>IH</sub> |                          | See Table 7                                 |

T6.0 25041

1. X can be V<sub>IL</sub> or V<sub>IH</sub>, but no other value.

**Table 7:** Software Command Sequence

| Command Sequence                                       | 1st Bus Write Cycle |                   | 2nd Bus Write Cycle |                   | 3rd Bus Write Cycle |                   | 4th Bus Write Cycle |                   | 5th Bus Write Cycle |                   | 6th Bus Write Cycle          |                   |
|--|---------------------|-------------------|---------------------|-------------------|---------------------|-------------------|---------------------|-------------------|---------------------|-------------------|------------------------------|-------------------|
|  | Addr <sup>1</sup>   | Data <sup>2</sup> | Addr <sup>1</sup>   | Data <sup>2</sup> | Addr <sup>1</sup>   | Data <sup>2</sup> | Addr <sup>1</sup>   | Data <sup>2</sup> | Addr <sup>1</sup>   | Data <sup>2</sup> | Addr <sup>1</sup>            | Data <sup>2</sup> |
| Word-Program   | 555H                | AAH               | 2AAH                | 55H               | 555H                | A0H               | WA <sup>3</sup>     | Data              |                     |                   |                              |                   |
| Sector-Erase   | 555H                | AAH               | 2AAH                | 55H               | 555H                | 80H               | 555H                | AAH               | 2AAH                | 55H               | SA <sub>X</sub> <sup>4</sup> | 50H               |
| Block-Erase  | 555H                | AAH               | 2AAH                | 55H               | 555H                | 80H               | 555H                | AAH               | 2AAH                | 55H               | BA <sub>X</sub> <sup>4</sup> | 30H               |
| Chip-Erase   | 555H                | AAH               | 2AAH                | 55H               | 555H                | 80H               | 555H                | AAH               | 2AAH                | 55H               | 555H                         | 10H               |
| Erase-Suspend  | XXXH                | B0H               |                     |                   |                     |                   |                     |                   |                     |                   |                              |                   |
| Erase-Resume   | XXXH                | 30H               |                     |                   |                     |                   |                     |                   |                     |                   |                              |                   |
| Query Sec ID <sup>5</sup>                              | 555H                | AAH               | 2AAH                | 55H               | 555H                | 88H               |                     |                   |                     |                   |                              |                   |
| User Security ID Word-Program                          | 555H                | AAH               | 2AAH                | 55H               | 555H                | A5H               | WA <sup>6</sup>     | Data              |                     |                   |                              |                   |
| User Security ID Program Lock-Out                      | 555H                | AAH               | 2AAH                | 55H               | 555H                | 85H               | XXH <sup>6</sup>    | 0000 H            |                     |                   |                              |                   |
| Software ID Entry <sup>7,8</sup>                       | 555H                | AAH               | 2AAH                | 55H               | 555H                | 90H               |                     |                   |                     |                   |                              |                   |
| CFI Query Entry  | 555H                | AAH               | 2AAH                | 55H               | 555H                | 98H               |                     |                   |                     |                   |                              |                   |
| CFI Query Entry  | 55H                 | 98H               |                     |                   |                     |                   |                     |                   |                     |                   |                              |                   |
| Software ID Exit <sup>9,10</sup> /CFI Exit/Sec ID Exit | 555H                | AAH               | 2AAH                | 55H               | 555H                | F0H               |                     |                   |                     |                   |                              |                   |
| Software ID Exit <sup>9,10</sup> /CFI Exit/Sec ID Exit | XXH                 | F0H               |                     |                   |                     |                   |                     |                   |                     |                   |                              |                   |

T7.6 25041

1. Address format A<sub>10</sub>-A<sub>0</sub> (Hex). Addresses A<sub>11</sub>-A<sub>18</sub> can be V<sub>IL</sub> or V<sub>IH</sub>, but no other value, for Command sequence.
2. DQ<sub>15</sub>-DQ<sub>8</sub> can be V<sub>IL</sub> or V<sub>IH</sub>, but no other value, for Command sequence
3. WA = Program Word address
4. SA<sub>X</sub> for Sector-Erase; uses A<sub>MS</sub>-A<sub>11</sub> address lines  
BA<sub>X</sub>, for Block-Erase; uses A<sub>MS</sub>-A<sub>15</sub> address lines  
A<sub>MS</sub> = Most significant address; A<sub>MS</sub> = A<sub>18</sub>



# 8 Mbit (x16) Multi-Purpose Flash Plus

## SST39VF801C / SST39VF802C / SST39LF801C / SST39LF802C

5. With  $A_{MS}-A_4 = 0$ ; Sec ID is read with  $A_3-A_0$ ,  
 SST ID is read with  $A_3 = 0$  (Address range = 000000H to 000007H),  
 User ID is read with  $A_3 = 1$  (Address range = 000008H to 000007H).  
 Lock Status is read with  $A_7-A_0 = 0000FFH$ . Unlocked:  $DQ_3 = 1$  / Locked:  $DQ_3 = 0$ .
6. Valid Word-Addresses for Sec ID are from 000000H-000007H and 000008H-000087H.
7. The device does not remain in Software Product ID Mode if powered down.
8. With  $A_{MS}-A_1 = 0$ ; SST Manufacturer ID = 00BFH, is read with  $A_0 = 0$ ,  
 SST39VF801C/SST39LF801C Device ID = 233BH, is read with  $A_0 = 1$ , SST39VF802C/SST39LF802C Device ID =  
 233AH, is read with  $A_0 = 1$ ,  
 $A_{MS}$  = Most significant address;  $A_{MS} = A_{18}$
9. Both Software ID Exit operations are equivalent
10. If users never lock after programming, Sec ID can be programmed over the previously unprogrammed bits (data=1) using the Sec ID mode again (the programmed '0' bits cannot be reversed to '1'). Valid Word-Addresses for Sec ID are from 000000H-000007H and 000008H-000087H.

**Table 8: CFI Query Identification String<sup>1</sup>**

| Address | Data  | Data   |
|---------|-------|--|
| 10H     | 0051H | Query Unique ASCII string "QRY"                              |
| 11H     | 0052H |  |
| 12H     | 0059H |  |
| 13H     | 0002H | Primary OEM command set                                      |
| 14H     | 0000H |  |
| 15H     | 0000H | Address for Primary Extended Table                           |
| 16H     | 0000H |  |
| 17H     | 0000H | Alternate OEM command set (00H = none exists)                |
| 18H     | 0000H |  |
| 19H     | 0000H | Address for Alternate OEM extended Table (00H = none exists) |
| 1AH     | 0000H |  |

T8.1 25041

1. Refer to CFI publication 100 for more details.

**Table 9: System Interface Information**

| Address | Data  | Data  |
|---------|-------|---|
| 1BH     | 0027H | $V_{DD}$ Min (Program/Erase)<br>$DQ_7-DQ_4$ : Volts, $DQ_3-DQ_0$ : 100 millivolts                   |
| 1CH     | 0036H | $V_{DD}$ Max (Program/Erase)<br>$DQ_7-DQ_4$ : Volts, $DQ_3-DQ_0$ : 100 millivolts                   |
| 1DH     | 0000H | $V_{PP}$ min. (00H = no $V_{PP}$ pin)   |
| 1EH     | 0000H | $V_{PP}$ max. (00H = no $V_{PP}$ pin)   |
| 1FH     | 0003H | Typical time out for Word-Program $2^N \mu s$ ( $2^3 = 8 \mu s$ )                                   |
| 20H     | 0000H | Typical time out for min. size buffer program $2^N \mu s$ (00H = not supported)                     |
| 21H     | 0004H | Typical time out for individual Sector/Block-Erase $2^N ms$ ( $2^4 = 16 ms$ )                       |
| 22H     | 0005H | Typical time out for Chip-Erase $2^N ms$ ( $2^5 = 32 ms$ )  |
| 23H     | 0001H | Maximum time out for Word-Program $2^N$ times typical ( $2^1 \times 2^3 = 16 \mu s$ )               |
| 24H     | 0000H | Maximum time out for buffer program $2^N$ times typical   |
| 25H     | 0001H | Maximum time out for individual Sector/Block-Erase $2^N$ times typical ( $2^1 \times 2^4 = 32 ms$ ) |
| 26H     | 0001H | Maximum time out for Chip-Erase $2^N$ times typical ( $2^1 \times 2^5 = 64 ms$ )                    |

T9.3 25041

**Table 10:** Device Geometry Information

| Address | Data  | Data   |
|---------|-------|--|
| 27H     | 0014H | Device size = $2^N$ Bytes (14H = 20; $2^{20}$ = 1 MByte)                                 |
| 28H     | 0001H | Flash Device Interface description; 0001H = x16-only asynchronous interface              |
| 29H     | 0000H |  |
| 2AH     | 0000H | Maximum number of byte in multi-byte write = $2^N$ (00H = not supported)                 |
| 2BH     | 0000H |  |
| 2CH     | 0005H | Number of Erase Sector/Block sizes supported by device                                   |
| 2DH     | 0000H | Erase Block Region 1 Information (Refer to the CFI specification or CFI publication 100) |
| 2EH     | 0000H |  |
| 2FH     | 0040H |  |
| 30H     | 0000H |  |
| 31H     | 0001H | Erase Block Region 2 Information   |
| 32H     | 0000H |  |
| 33H     | 0020H |  |
| 34H     | 0000H |  |
| 35H     | 0000H | Erase Block Region 3 Information   |
| 36H     | 0000H |  |
| 37H     | 0080H |  |
| 38H     | 0000H |  |
| 39H     | 000FH | Erase Block Region 4 Information   |
| 3AH     | 0000H |  |
| 3BH     | 0000H |  |
| 3CH     | 0001H |  |

T10.0 25041



## Electrical Specifications

**Absolute Maximum Stress Ratings** (Applied conditions greater than those listed under “Absolute Maximum Stress Ratings” may cause permanent damage to the device. This is a stress rating only and functional operation of the device at these conditions or conditions greater than those defined in the operational sections of this data sheet is not implied. Exposure to absolute maximum stress rating conditions may affect device reliability.)

|   |                        |
|---|------------------------|
| Temperature Under Bias  | -55°C to +125°C        |
| Storage Temperature   | -65°C to +150°C        |
| D. C. Voltage on Any Pin to Ground Potential                      | -0.5V to $V_{DD}+0.5V$ |
| Transient Voltage (<20 ns) on Any Pin to Ground Potential         | -2.0V to $V_{DD}+2.0V$ |
| Voltage on A <sub>9</sub> Pin to Ground Potential                 | -0.5V to 13.2V         |
| Package Power Dissipation Capability ( $T_A = 25^\circ\text{C}$ ) | 1.0W                   |
| Surface Mount Solder Reflow                                       | 260°C for 10 seconds   |
| Output Short Circuit Current <sup>1</sup>                         | 50 mA                  |

1. Outputs shorted for no more than one second. No more than one output shorted at a time.

**Table 11: Operating Range**

| Range      | Ambient Temp   | $V_{DD}$ |
|------------|----------------|----------|
| Commercial | 0°C to +70°C   | 2.7-3.6V |
| Industrial | -40°C to +85°C | 2.7-3.6V |

T11.0 25041

**Table 12: AC Conditions of Test<sup>1</sup>**

| Input Rise/Fall Time | Output Load           |
|----------------------|-----------------------|
| 5ns                  | $C_L = 30 \text{ pF}$ |

T12.1 25041

1. See Figures 20 and 21





### Power Up Specifications

All functionalities and DC specifications are specified for a  $V_{DD}$  ramp rate of greater than 1V per 100 ms (0V to 3V in less than 300 ms). If the  $V_{DD}$  ramp rate is slower than 1V per 100 ms, a hardware reset is required. The recommended  $V_{DD}$  power-up to RESET# high time should be greater than 100  $\mu$ s to ensure a proper reset.

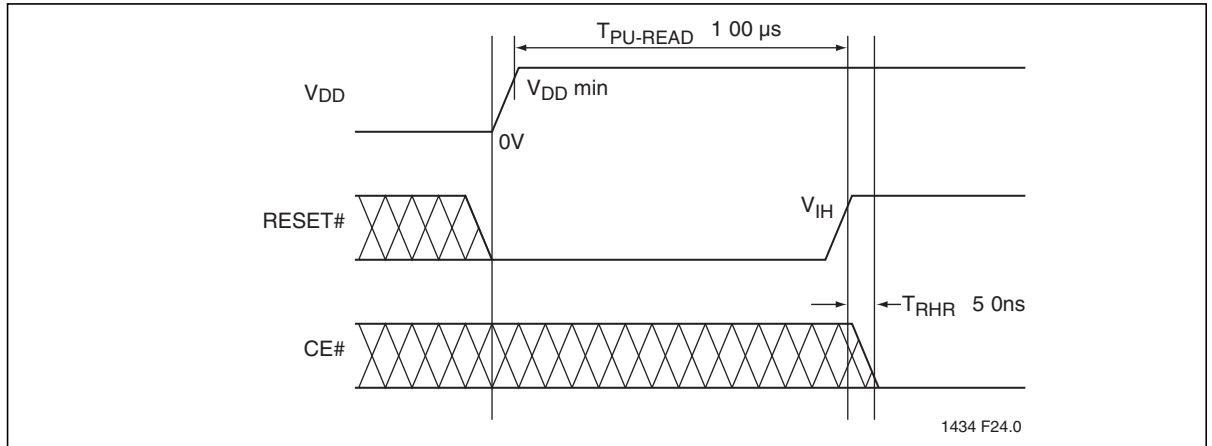


Figure 5: Power-Up Diagram

Table 13: DC Operating Characteristics  $V_{DD} = 2.7-3.6V^1$

| Symbol    | Parameter                                 | Limits       |              |         | Test Conditions  |
|-----------|---|--------------|--------------|---------|--|
|           |   | Min          | Max          | Units   |  |
| $I_{DD}$  | Power Supply Current                      |              |              |         | Address input= $V_{ILT}/V_{IHT}^2$ , at f=5 MHz, $V_{DD}=V_{DD} \text{ Max}$   |
|           | Read <sup>3</sup>                         |              | 18           | mA      | $CE\#=V_{IL}$ , $OE\#=WE\#=V_{IH}$ , all I/Os open   |
|           | Program and Erase                         |              | 30           | mA      | $CE\#=WE\#=V_{IL}$ , $OE\#=V_{IH}$   |
| $I_{SB}$  | Standby $V_{DD}$ Current                  |              | 20           | $\mu$ A | $CE\#=V_{IHC}$ , $V_{DD}=V_{DD} \text{ Max}$<br>$RST\#=V_{DD}\pm 0.3$ , $WP\#=V_{DD}\pm 0.3$ ,<br>$WE\#=V_{DD}\pm 0.3$ |
| $I_{ALP}$ | Auto Low Power                            |              | 20           | $\mu$ A | $CE\#=V_{ILC}$ , $V_{DD}=V_{DD} \text{ Max}$<br>All inputs= $V_{SS}$ or $V_{DD}$ , $WE\#=V_{IHC}$                      |
| $I_{LI}$  | Input Leakage Current                     |              | 1            | $\mu$ A | $V_{IN}=\text{GND to } V_{DD}$ , $V_{DD}=V_{DD} \text{ Max}$   |
| $I_{LIW}$ | Input Leakage Current on WP# pin and RST# |              | 10           | $\mu$ A | $WP\#=\text{GND to } V_{DD}$ or $RST\#=\text{GND to } V_{DD}$  |
| $I_{LO}$  | Output Leakage Current                    |              | 10           | $\mu$ A | $V_{OUT}=\text{GND to } V_{DD}$ , $V_{DD}=V_{DD} \text{ Max}$  |
| $V_{IL}$  | Input Low Voltage                         |              | 0.8          | V       | $V_{DD}=V_{DD} \text{ Min}$  |
| $V_{ILC}$ | Input Low Voltage (CMOS)                  |              | 0.3          | V       | $V_{DD}=V_{DD} \text{ Max}$  |
| $V_{IH}$  | Input High Voltage                        | $0.7V_{DD}$  | $V_{DD}+0.3$ | V       | $V_{DD}=V_{DD} \text{ Max}$  |
| $V_{IHC}$ | Input High Voltage (CMOS)                 | $V_{DD}-0.3$ | $V_{DD}+0.3$ | V       | $V_{DD}=V_{DD} \text{ Max}$  |
| $V_{OL}$  | Output Low Voltage                        |              | 0.2          | V       | $I_{OL}=100 \mu\text{A}$ , $V_{DD}=V_{DD} \text{ Min}$   |
| $V_{OH}$  | Output High Voltage                       | $V_{DD}-0.2$ |              | V       | $I_{OH}=-100 \mu\text{A}$ , $V_{DD}=V_{DD} \text{ Min}$  |

T13.8 25041

1. Typical conditions for the Active Current shown on the front page of the data sheet are average values at 25°C (room temperature), and  $V_{DD} = 3V$ . Not 100% tested.
2. See Figure 20
3. The  $I_{DD}$  current listed is typically less than 2mA/MHz, with OE# at  $V_{IH}$ . Typical  $V_{DD}$  is 3V.

**Table 14:** Recommended System Power-up Timings

| Symbol           | Parameter                           | Minimum | Units   |
|------------------|-------------------------------------|---------|---------|
| $T_{PU-READ}^1$  | Power-up to Read Operation          | 100     | $\mu$ s |
| $T_{PU-WRITE}^1$ | Power-up to Program/Erase Operation | 100     | $\mu$ s |

T14.0 25041

1. This parameter is measured only for initial qualification and after a design or process change that could affect this parameter.

**Table 15:** Capacitance ( $T_A = 25^\circ\text{C}$ ,  $f=1$  Mhz, other pins open)

| Parameter   | Description         | Test Condition | Maximum |
|-------------|---------------------|----------------|---------|
| $C_{I/O}^1$ | I/O Pin Capacitance | $V_{I/O} = 0V$ | 12 pF   |
| $C_{IN}^1$  | Input Capacitance   | $V_{IN} = 0V$  | 6 pF    |

T15.0 25041

1. This parameter is measured only for initial qualification and after a design or process change that could affect this parameter.

**Table 16:** Reliability Characteristics

| Symbol          | Parameter      | Minimum Specification | Units  | Test Method         |
|-----------------|----------------|-----------------------|--------|---------------------|
| $N_{END}^{1,2}$ | Endurance      | 10,000                | Cycles | JEDEC Standard A117 |
| $T_{DR}^1$      | Data Retention | 100                   | Years  | JEDEC Standard A103 |
| $I_{LTH}^1$     | Latch Up       | $100 + I_{DD}$        | mA     | JEDEC Standard 78   |

T16.2 25041

1. This parameter is measured only for initial qualification and after a design or process change that could affect this parameter.
2.  $N_{END}$  endurance rating is qualified as a 10,000 cycle minimum for the whole device. A sector- or block-level rating would result in a higher minimum specification.



### AC Characteristics

**Table 17:** Read Cycle Timing Parameters  $V_{DD} = 2.7-3.6V$

| Symbol         | Parameter                       | SST39VF801C/802C |     | SST39LF801C/802C |     | Units   |
|----------------|---------------------------------|------------------|-----|------------------|-----|---------|
|                |                                 | Min              | Max | Min              | Max |         |
| $T_{RC}$       | Read Cycle Time                 | 70               |     | 55               |     | ns      |
| $T_{CE}$       | Chip Enable Access Time         |                  | 70  |                  | 55  | ns      |
| $T_{AA}$       | Address Access Time             |                  | 70  |                  | 55  | ns      |
| $T_{OE}$       | Output Enable Access Time       |                  | 35  |                  | 30  | ns      |
| $T_{CLZ}^1$    | CE# Low to Active Output        | 0                |     | 0                |     | ns      |
| $T_{OLZ}^1$    | OE# Low to Active Output        | 0                |     | 0                |     | ns      |
| $T_{CHZ}^1$    | CE# High to High-Z Output       |                  | 20  |                  | 15  | ns      |
| $T_{OHZ}^1$    | OE# High to High-Z Output       |                  | 20  |                  | 15  | ns      |
| $T_{OH}^1$     | Output Hold from Address Change | 0                |     | 0                |     | ns      |
| $T_{RP}^1$     | RST# Pulse Width                | 500              |     | 500              |     | ns      |
| $T_{RHR}^1$    | RST# High before Read           | 50               |     | 50               |     | ns      |
| $T_{RY}^{1,2}$ | RST# Pin Low to Read Mode       |                  | 20  |                  | 20  | $\mu s$ |

T17.3 25041

1. This parameter is measured only for initial qualification and after a design or process change that could affect this parameter.
2. This parameter applies to Sector-Erase, Block-Erase and Program operations.  
This parameter does not apply to Chip-Erase operations.

**Table 18:** Program/Erase Cycle Timing Parameters

| Symbol         | Parameter                        | Min | Max | Units   |
|----------------|----------------------------------|-----|-----|---------|
| $T_{BP}$       | Word-Program Time                |     | 10  | $\mu s$ |
| $T_{AS}$       | Address Setup Time               | 0   |     | ns      |
| $T_{AH}$       | Address Hold Time                | 30  |     | ns      |
| $T_{CS}$       | WE# and CE# Setup Time           | 0   |     | ns      |
| $T_{CH}$       | WE# and CE# Hold Time            | 0   |     | ns      |
| $T_{OES}$      | OE# High Setup Time              | 0   |     | ns      |
| $T_{OEH}$      | OE# High Hold Time               | 10  |     | ns      |
| $T_{CP}$       | CE# Pulse Width                  | 40  |     | ns      |
| $T_{WP}$       | WE# Pulse Width                  | 40  |     | ns      |
| $T_{WPH}^1$    | WE# Pulse Width High             | 30  |     | ns      |
| $T_{CPH}^1$    | CE# Pulse Width High             | 30  |     | ns      |
| $T_{DS}$       | Data Setup Time                  | 30  |     | ns      |
| $T_{DH}^1$     | Data Hold Time                   | 0   |     | ns      |
| $T_{IDA}^1$    | Software ID Access and Exit Time |     | 150 | ns      |
| $T_{SE}$       | Sector-Erase                     |     | 25  | ms      |
| $T_{BE}$       | Block-Erase                      |     | 25  | ms      |
| $T_{SCE}$      | Chip-Erase                       |     | 50  | ms      |
| $T_{BY}^{1,2}$ | RY/BY# Delay Time                |     | 90  | ns      |
| $T_{BR}^1$     | Bus Recovery Time                |     | 0   | $\mu s$ |

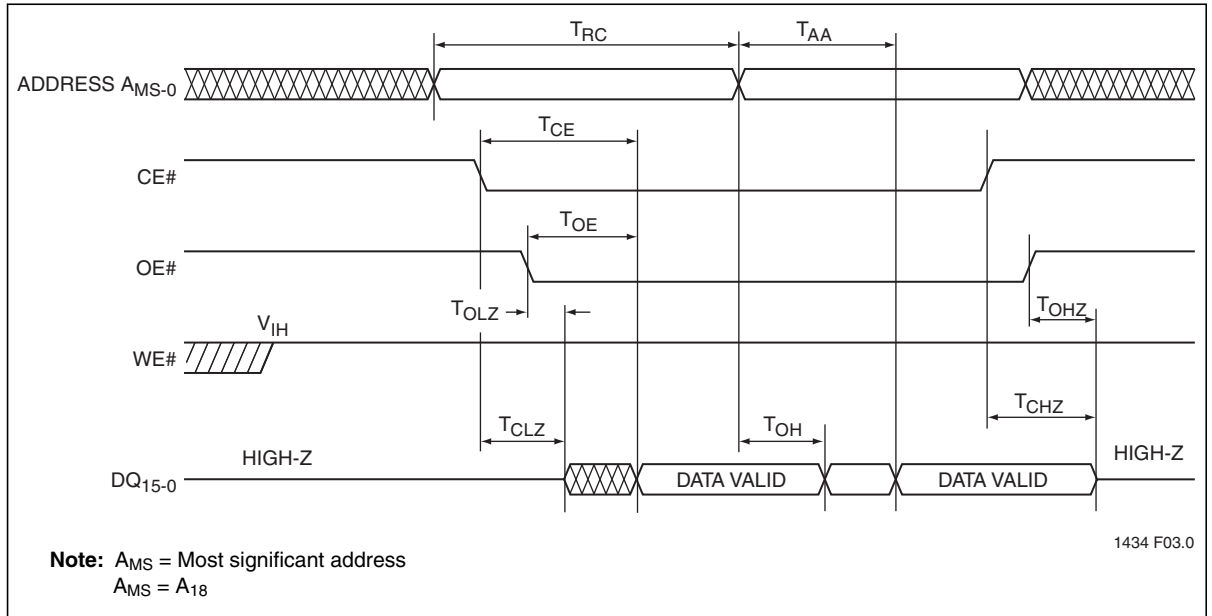
T18.1 25041

1. This parameter is measured only for initial qualification and after a design or process change that could affect this parameter.
2. This parameter applies to Sector-Erase, Block-Erase, and Program operations.

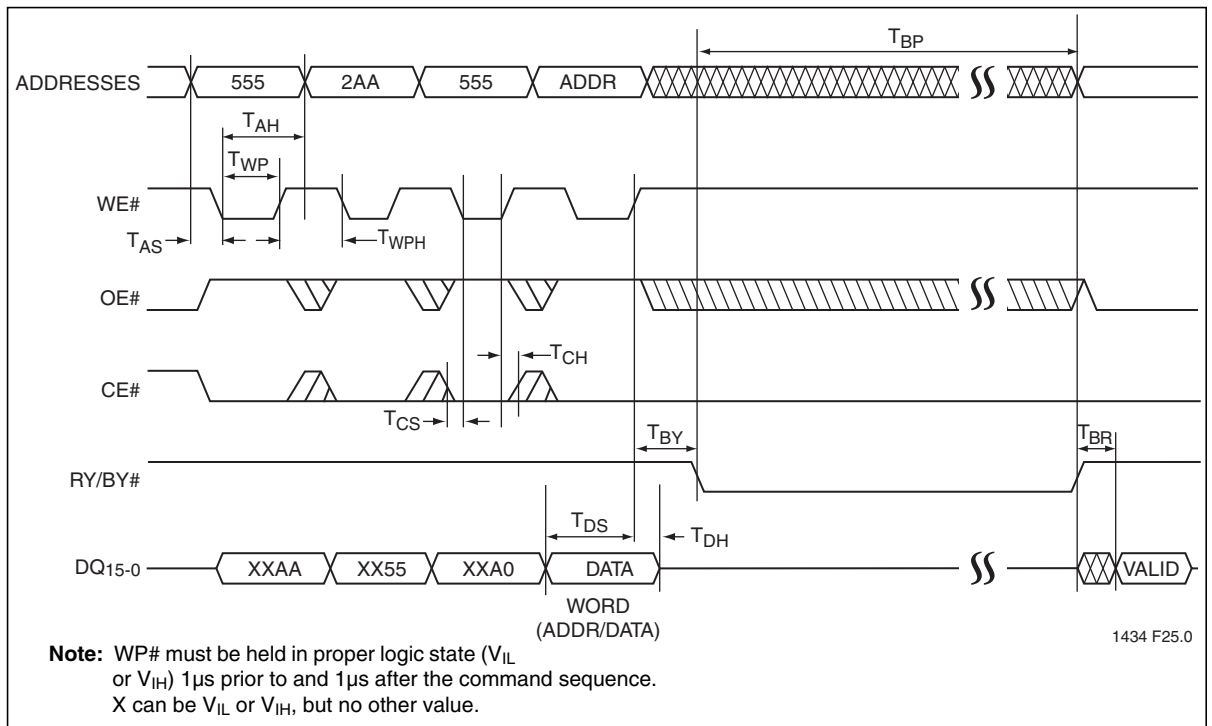


# 8 Mbit (x16) Multi-Purpose Flash Plus

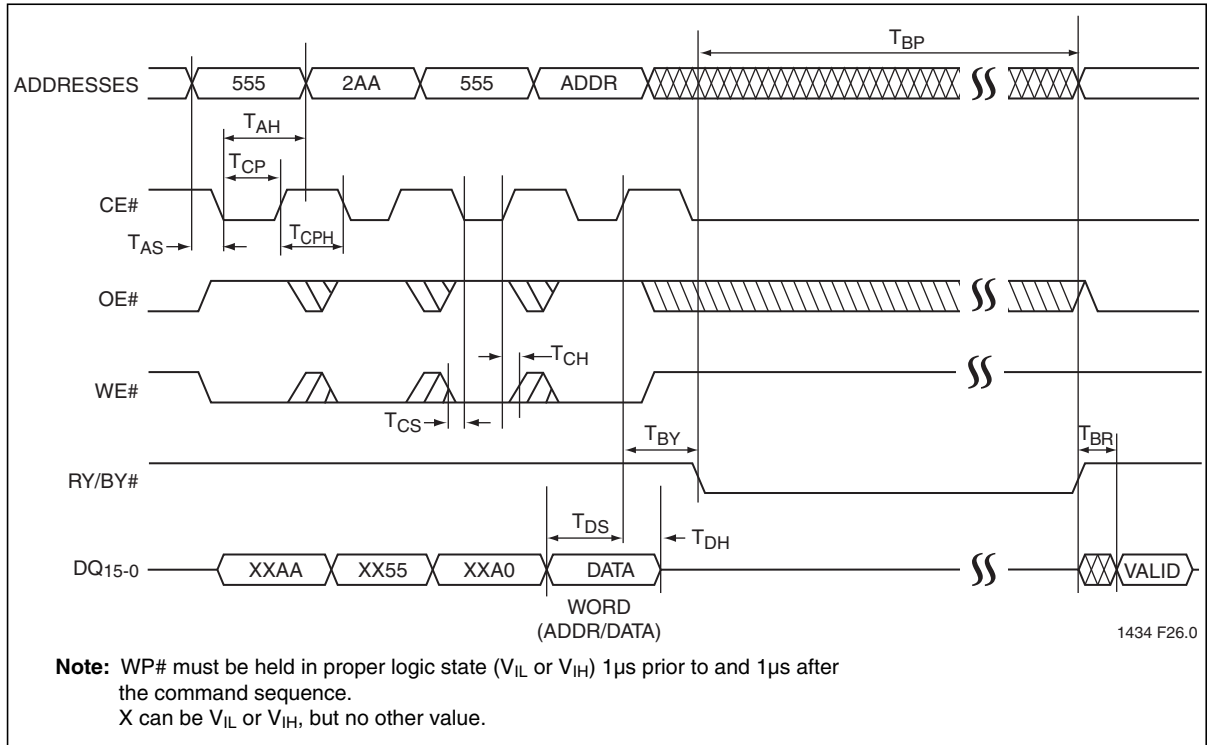
## SST39VF801C / SST39VF802C / SST39LF801C / SST39LF802C



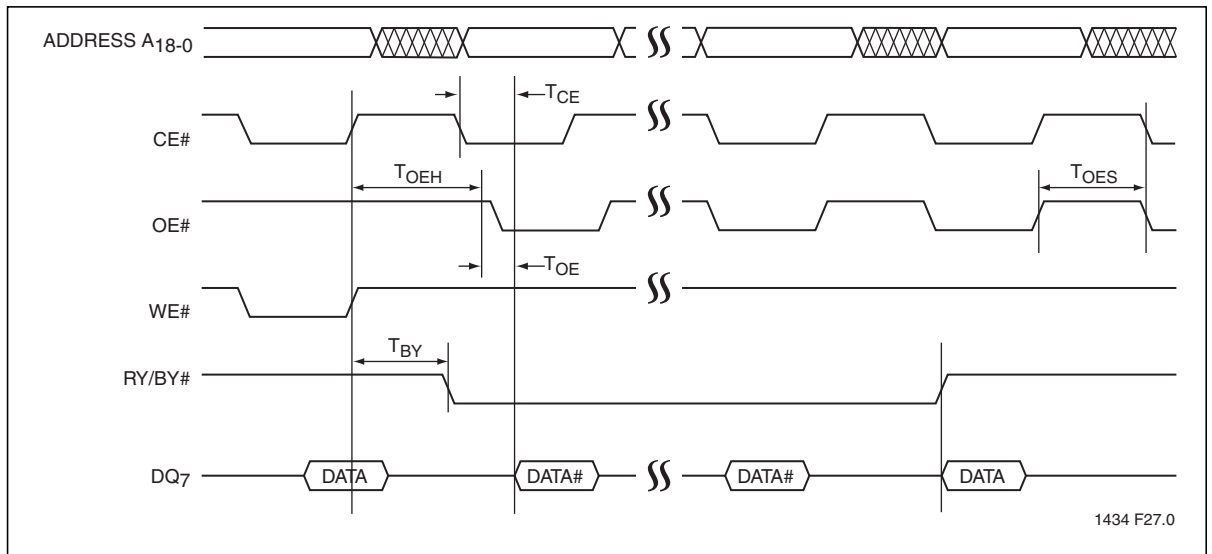
**Figure 6:** Read Cycle Timing Diagram



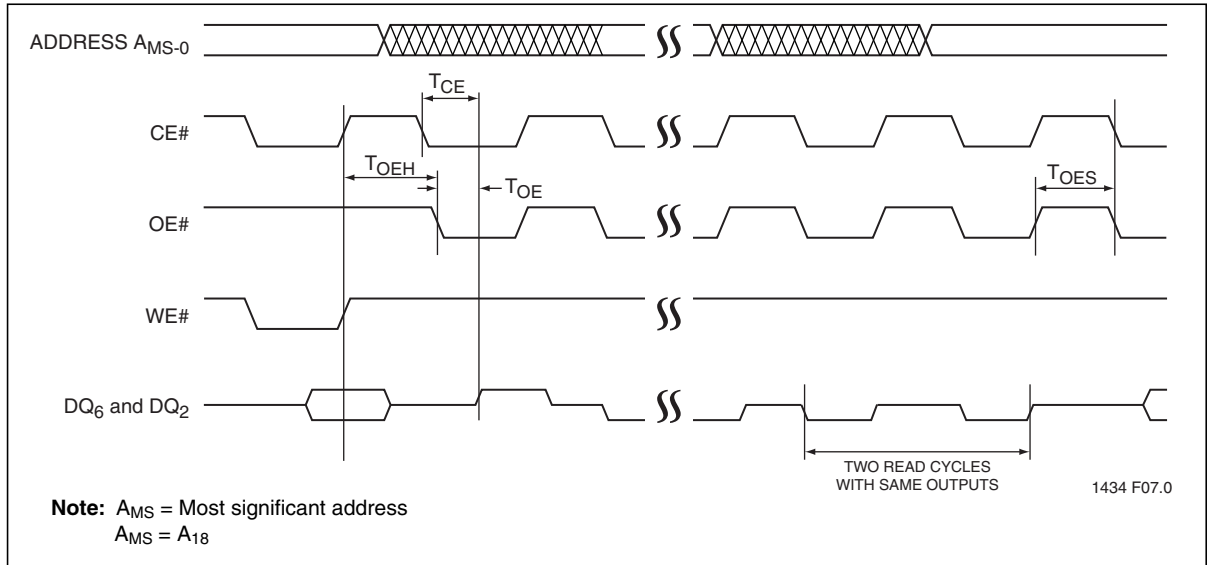
**Figure 7:** WE# Controlled Program Cycle Timing Diagram



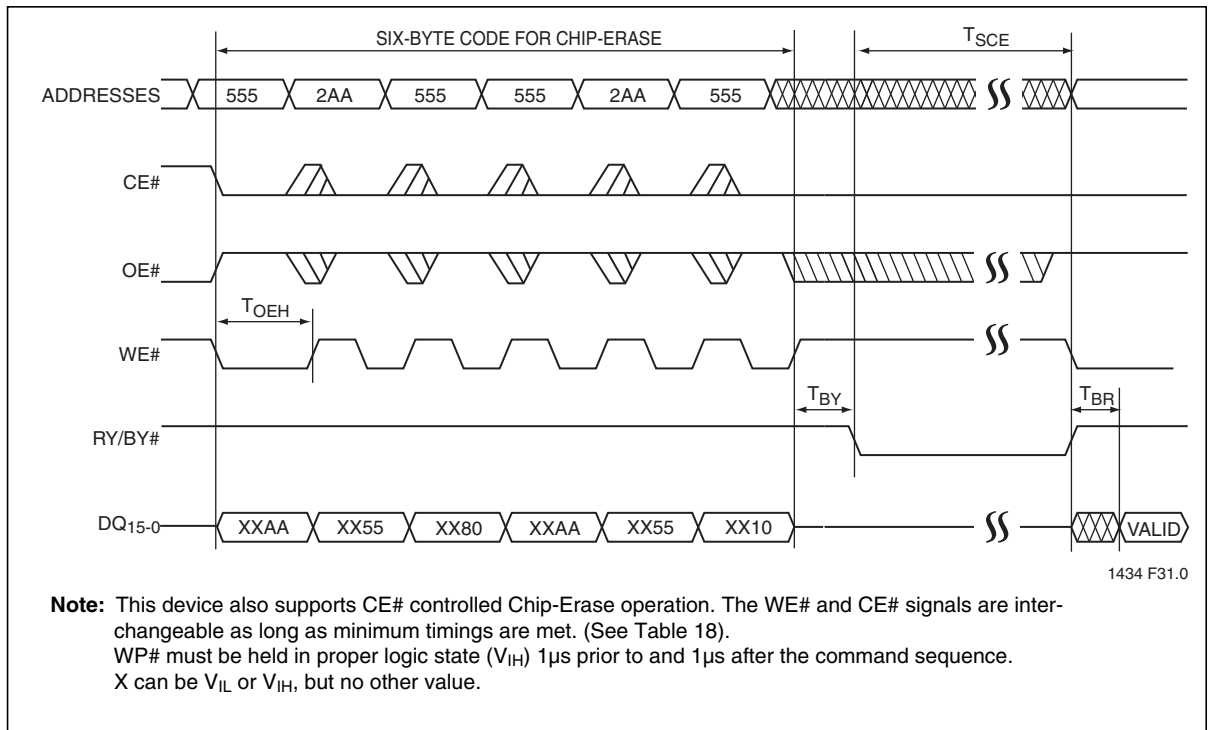
**Figure 8:** CE# Controlled Program Cycle Timing Diagram



**Figure 9:** Data# Polling Timing Diagram



**Figure 10:** Toggle Bits Timing Diagram

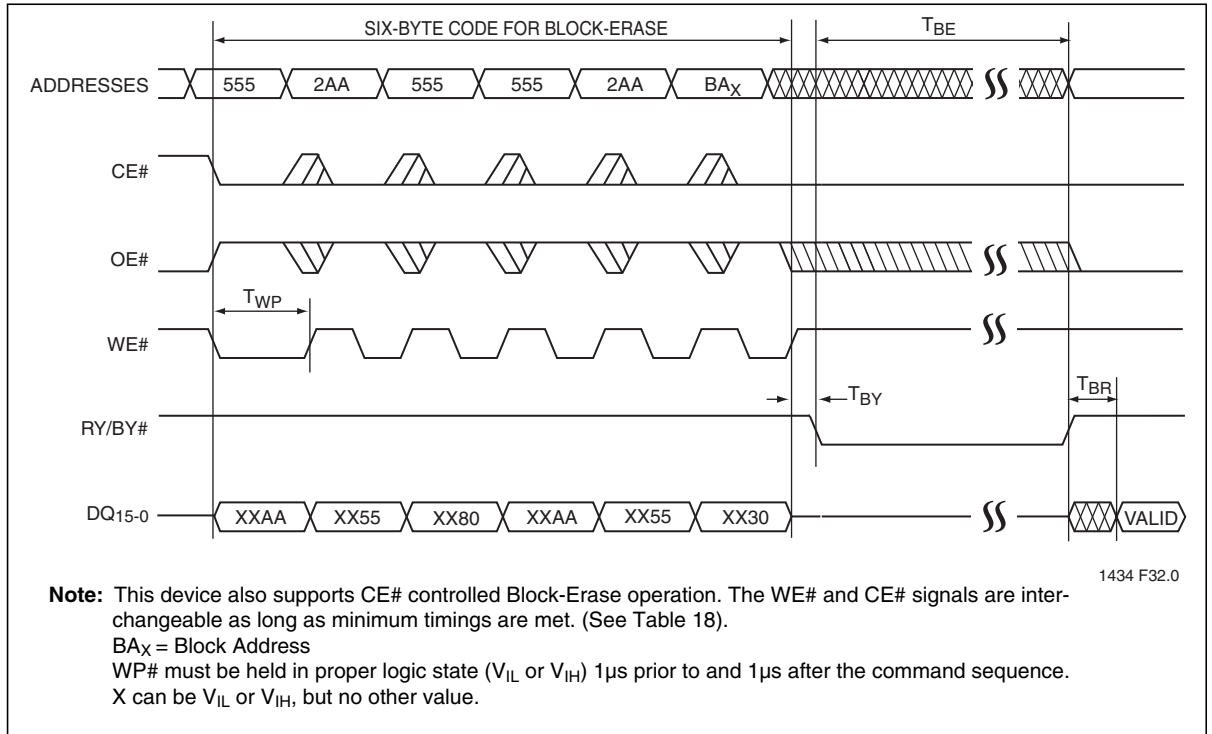


**Figure 11:** WE# Controlled Chip-Erase Timing Diagram

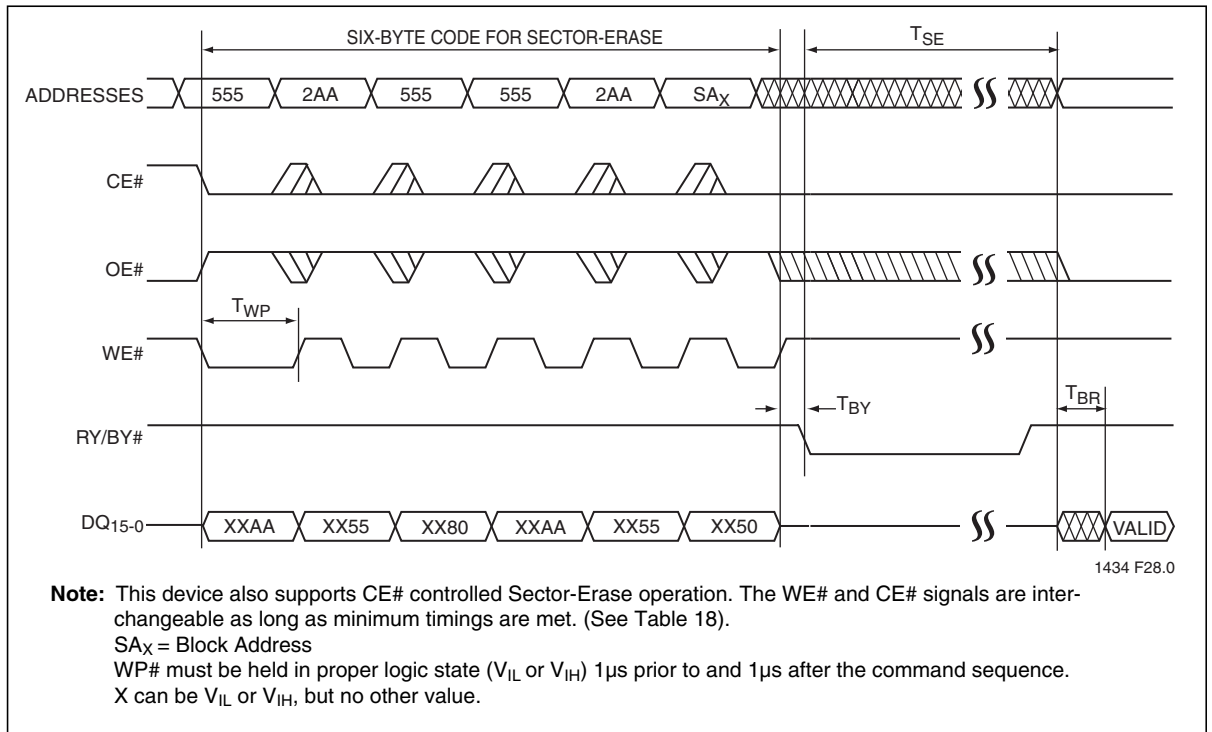


# 8 Mbit (x16) Multi-Purpose Flash Plus

## SST39VF801C / SST39VF802C / SST39LF801C / SST39LF802C



**Figure 12:WE# Controlled Block-Erase Timing Diagram**

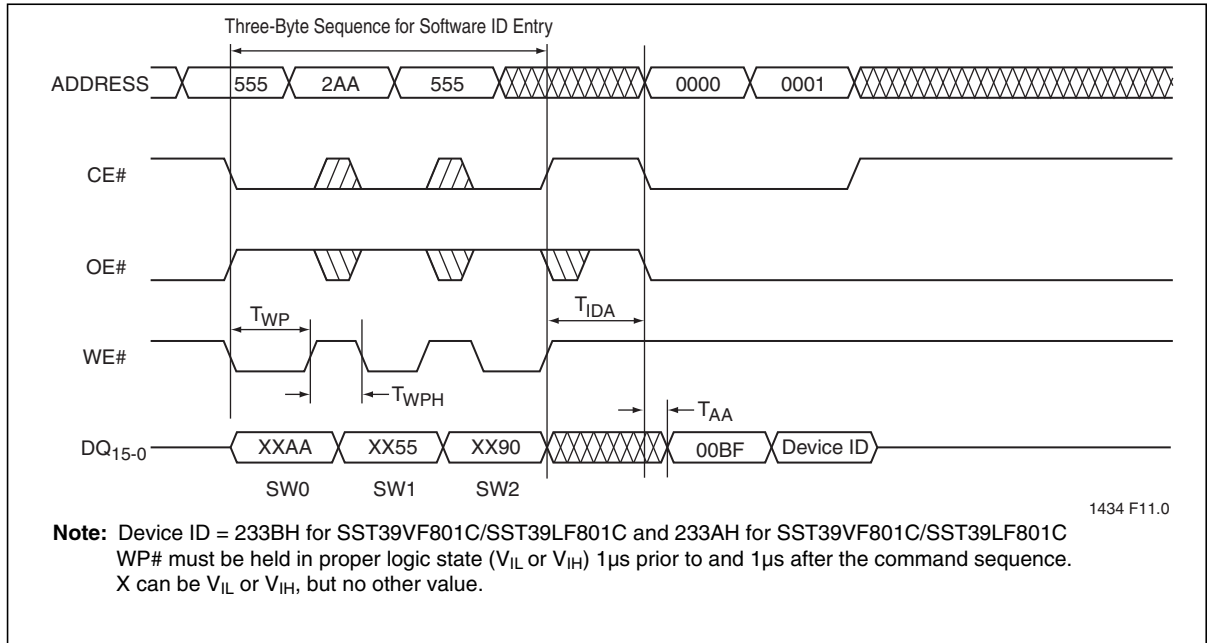


**Figure 13:WE# Controlled Sector-Erase Timing Diagram**

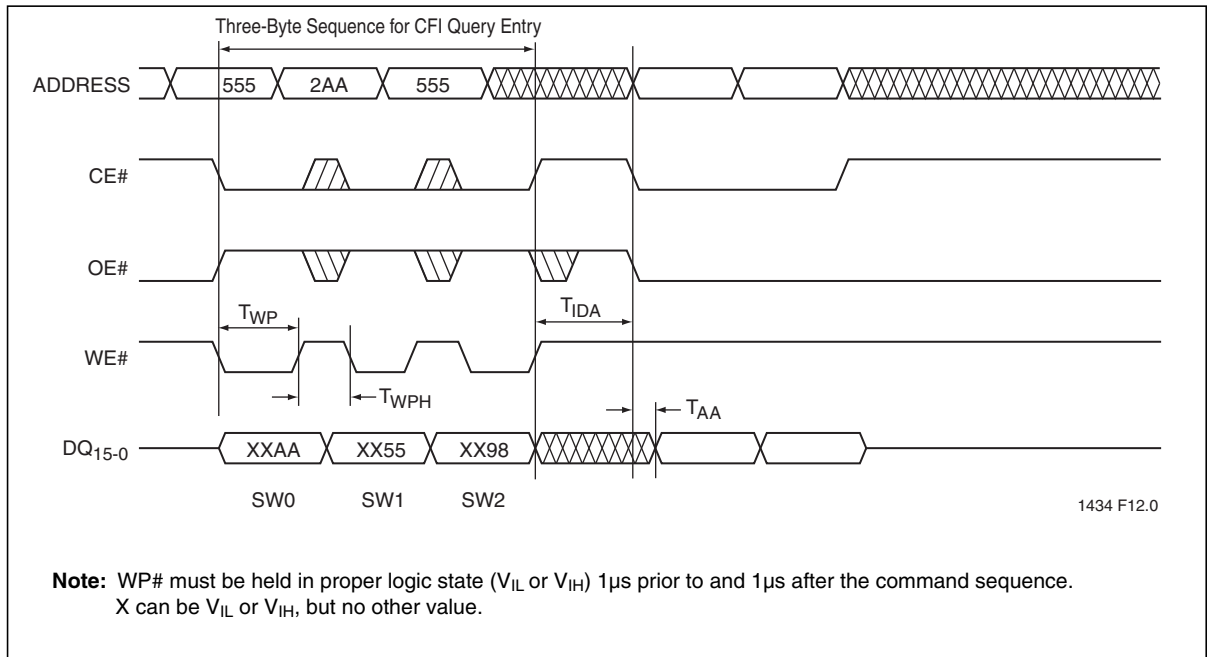


# 8 Mbit (x16) Multi-Purpose Flash Plus

## SST39VF801C / SST39VF802C / SST39LF801C / SST39LF802C

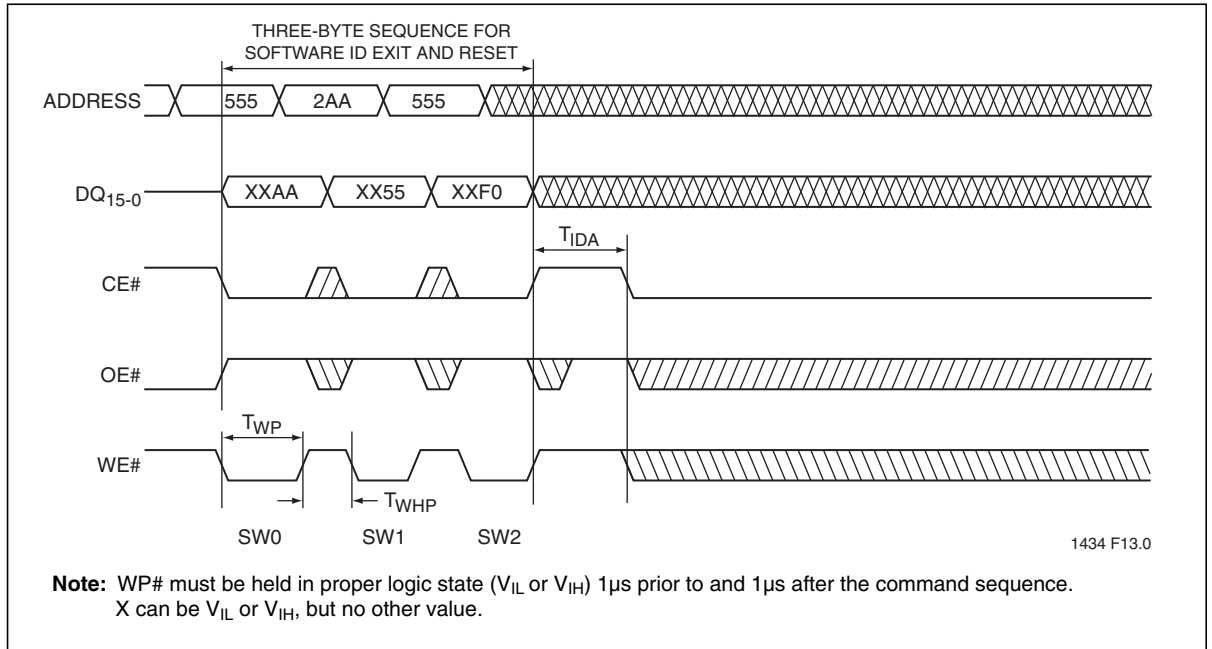


**Figure 14:** Software ID Entry and Read

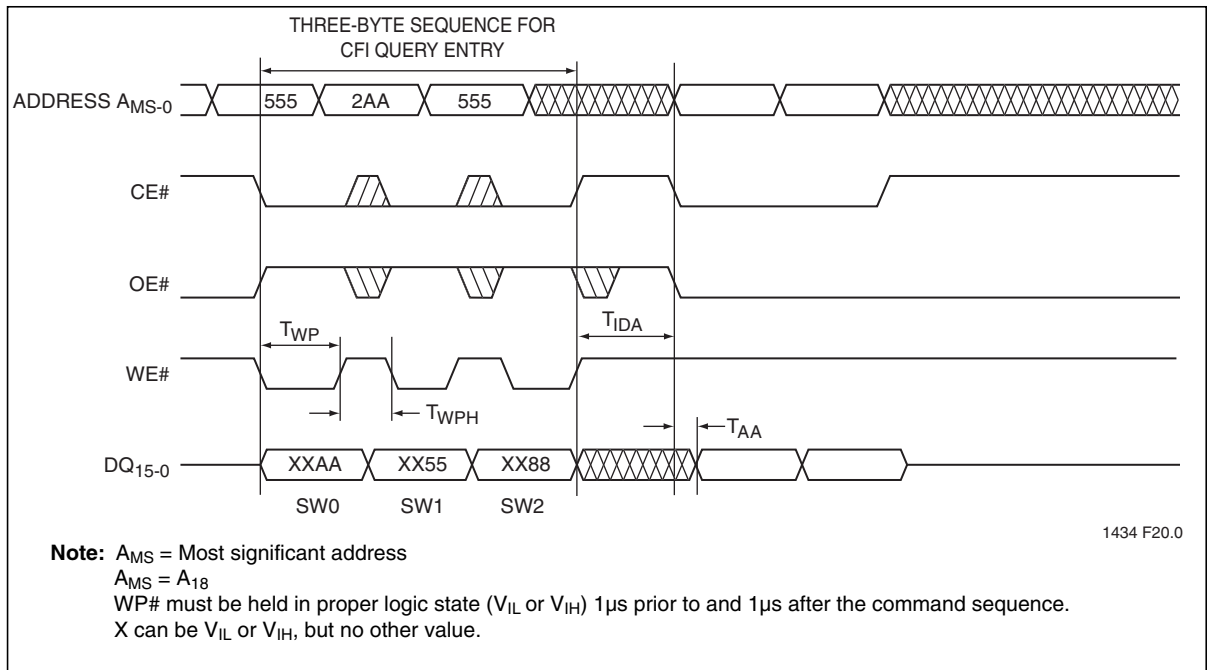


**Figure 15:** CFI Query Entry and Read

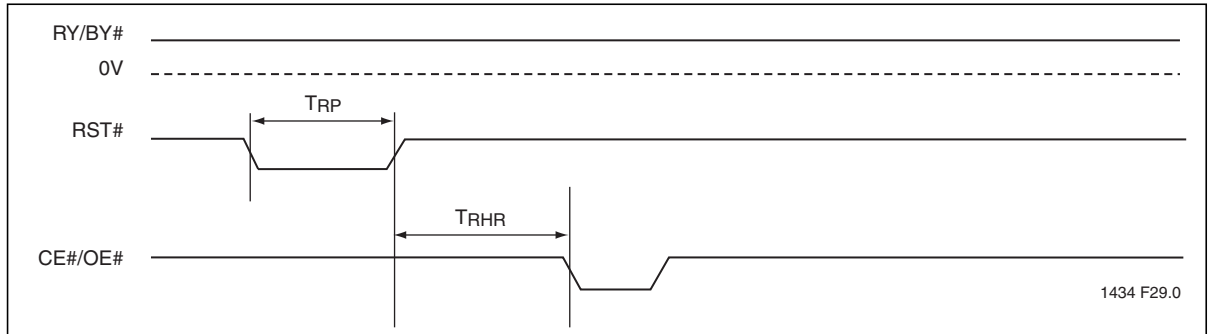




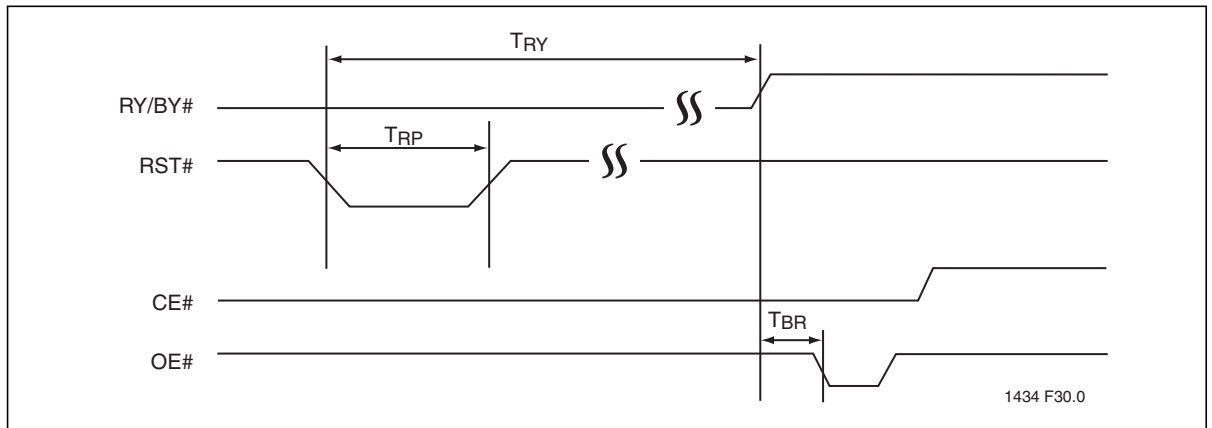
**Figure 16:** Software ID Exit/CFI Exit



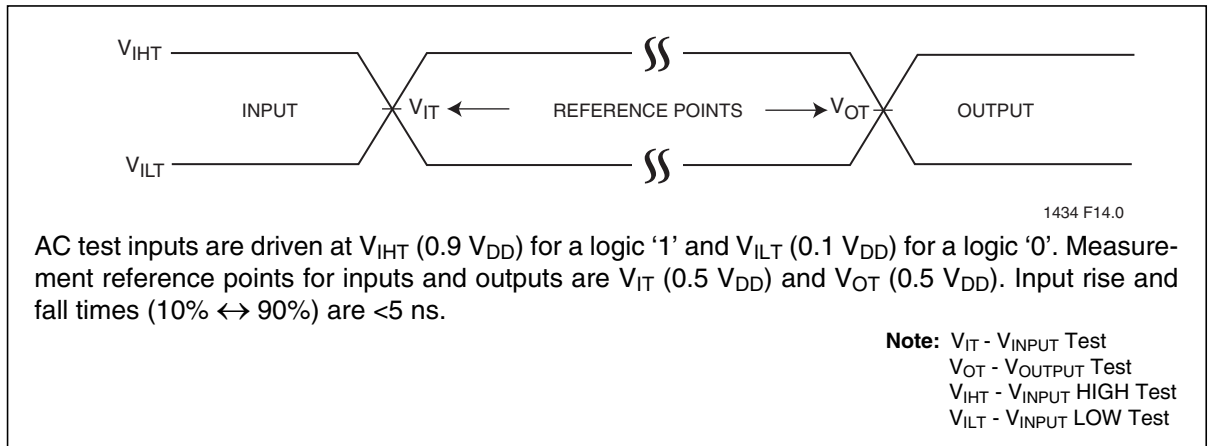
**Figure 17:** Sec ID Entry



**Figure 18:**RST# Timing Diagram (When no internal operation is in progress)



**Figure 19:**RST# Timing Diagram (During Program or Erase operation)



**Figure 20:**AC Input/Output Reference Waveforms

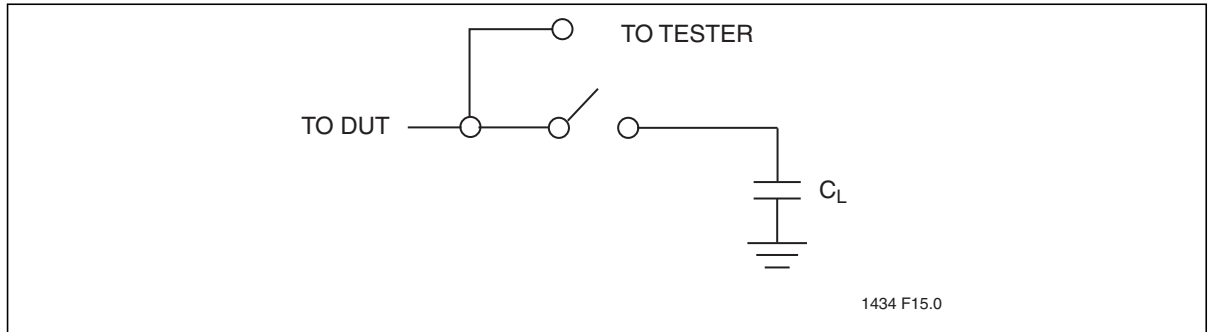


A Microchip Technology Company

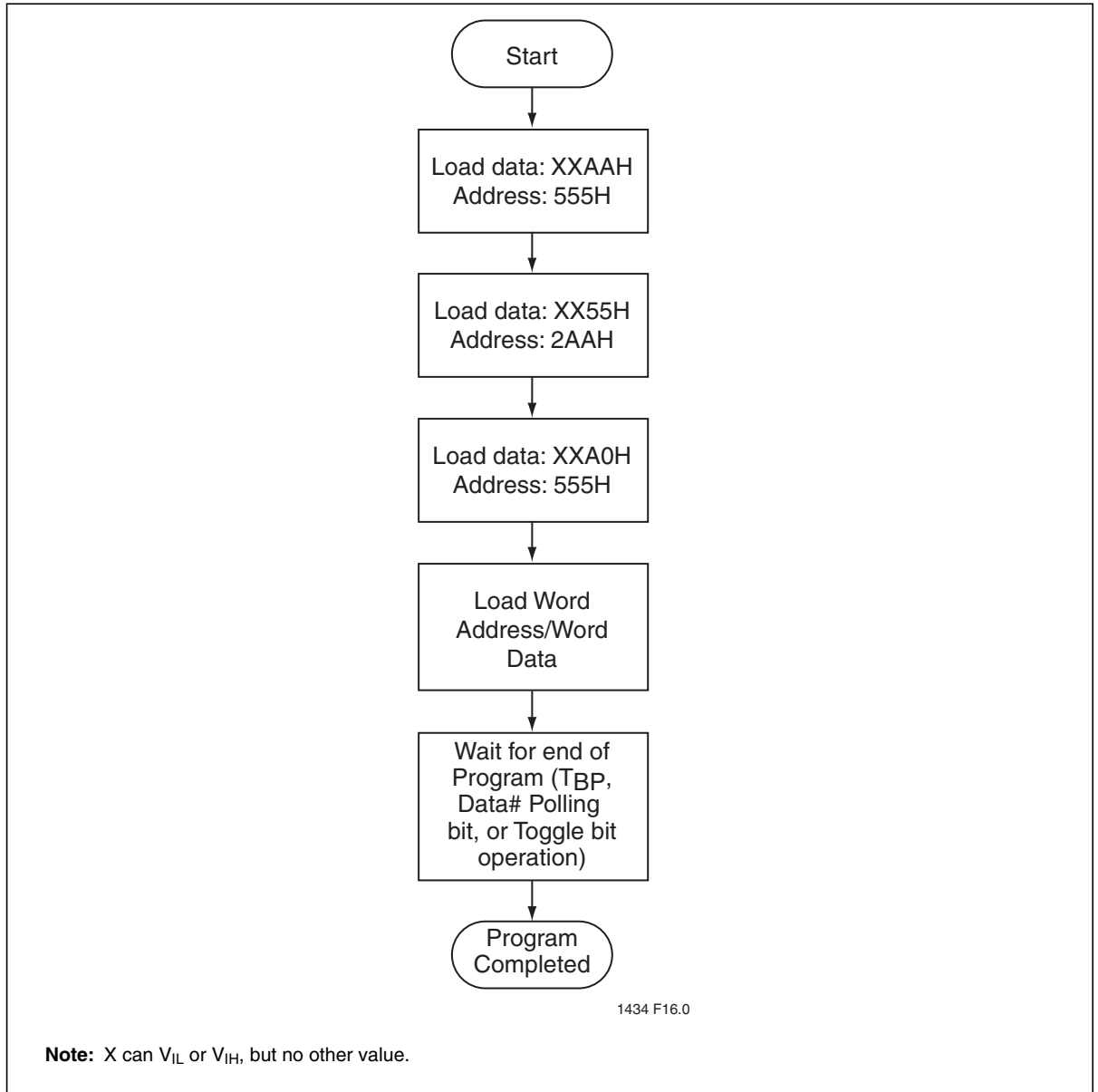
# 8 Mbit (x16) Multi-Purpose Flash Plus

SST39VF801C / SST39VF802C / SST39LF801C / SST39LF802C

Data Sheet



**Figure 21:A** Test Load Example



**Figure 22:** Word-Program Algorithm



# 8 Mbit (x16) Multi-Purpose Flash Plus

SST39VF801C / SST39VF802C / SST39LF801C / SST39LF802C

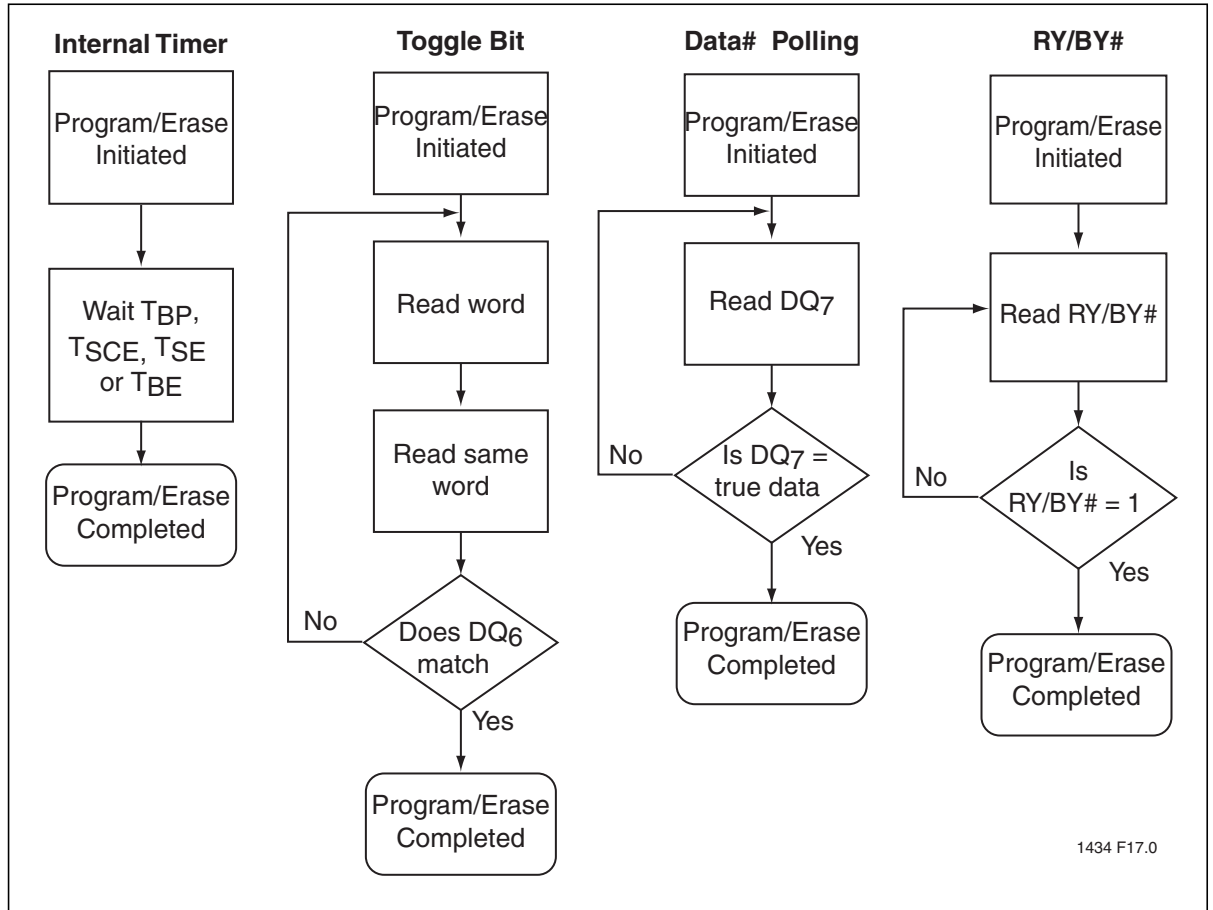
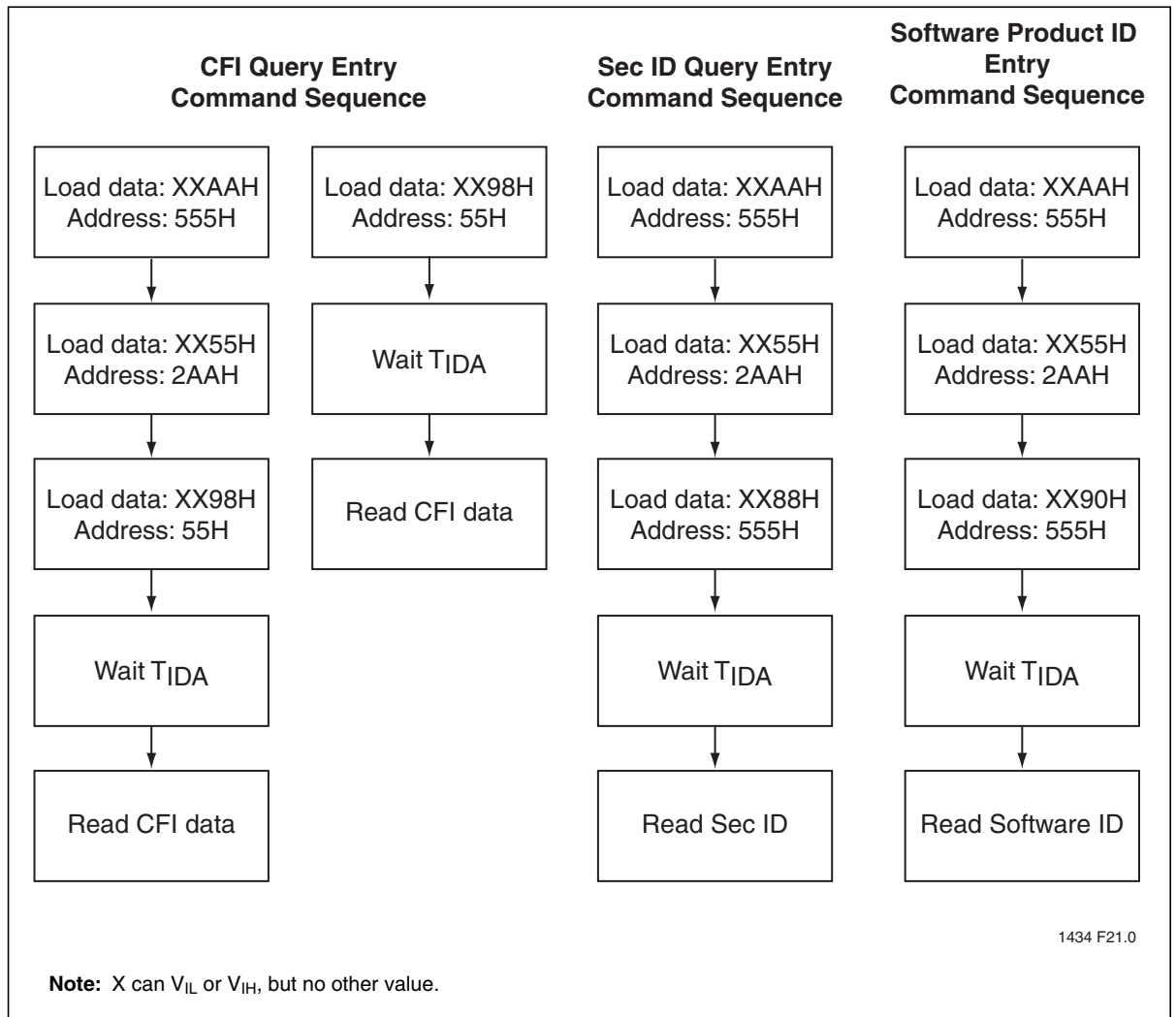


Figure 23: Wait Options

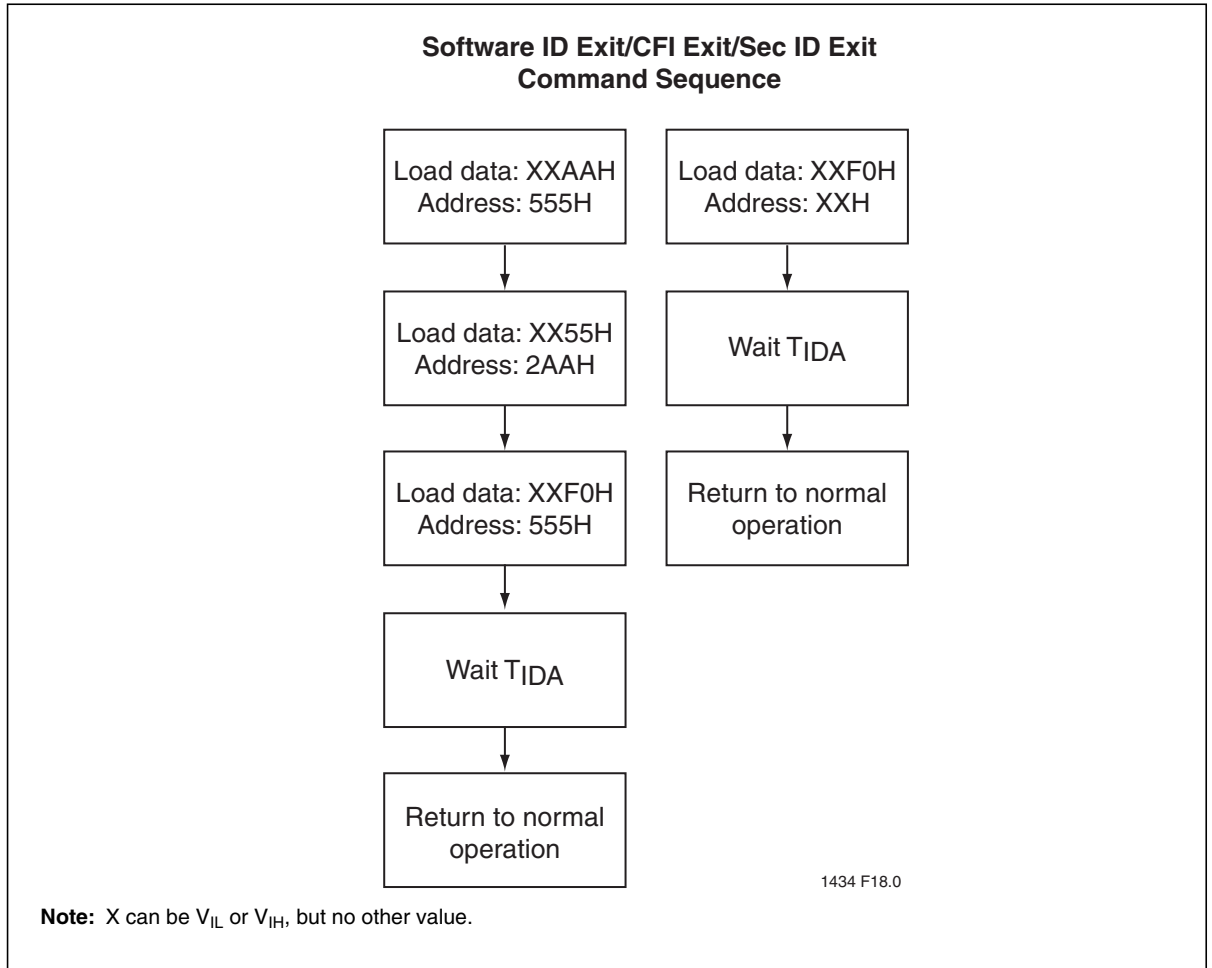


# 8 Mbit (x16) Multi-Purpose Flash Plus

SST39VF801C / SST39VF802C / SST39LF801C / SST39LF802C



**Figure 24:** Software ID/CFI Entry Command Flowcharts



**Figure 25:** Software ID/CFI Exit Command Flowcharts

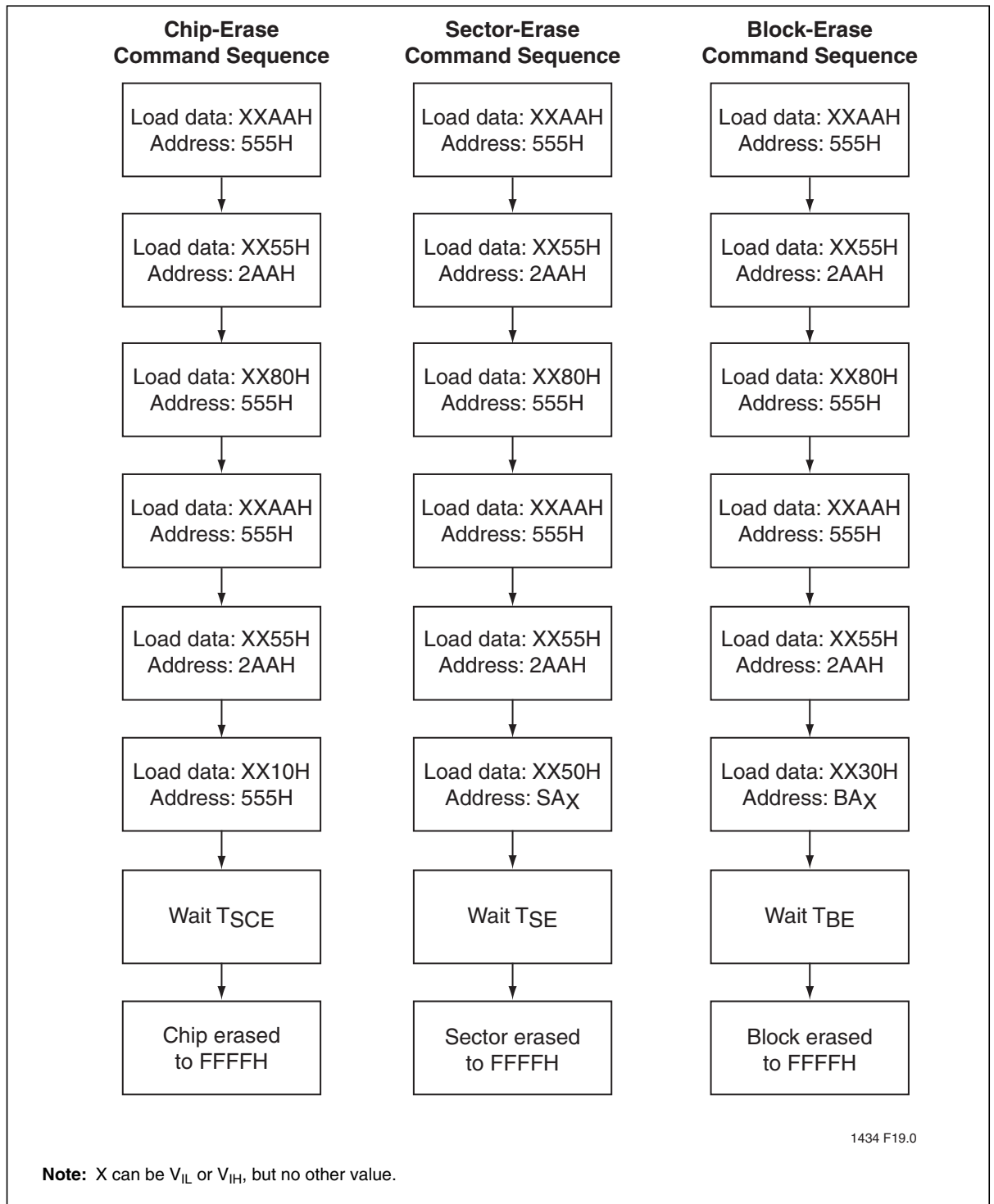


Figure 26: Erase Command Sequence







A Microchip Technology Company

# 8 Mbit (x16) Multi-Purpose Flash Plus

## SST39VF801C / SST39VF802C / SST39LF801C / SST39LF802C

Data Sheet

### Valid Combinations for SST39VF801C

|                       |                        |                        |
|-----------------------|------------------------|------------------------|
| SST39VF801C-70-4C-EKE | SST39VF801C-70-4C-B3KE | SST39VF801C-70-4C-MAQE |
| SST39VF801C-70-4I-EKE | SST39VF801C-70-4I-B3KE | SST39VF801C-70-4I-MAQE |

### Valid Combinations for SST39VF802C

|                       |                        |                        |
|-----------------------|------------------------|------------------------|
| SST39VF802C-70-4C-EKE | SST39VF802C-70-4C-B3KE | SST39VF802C-70-4C-MAQE |
| SST39VF802C-70-4I-EKE | SST39VF802C-70-4I-B3KE | SST39VF802C-70-4I-MAQE |

### Valid Combinations for SST39LF801C

|                       |                        |                        |
|-----------------------|------------------------|------------------------|
| SST39LF801C-55-4C-EKE | SST39LF801C-55-4C-B3KE | SST39LF801C-55-4C-MAQE |
|-----------------------|------------------------|------------------------|

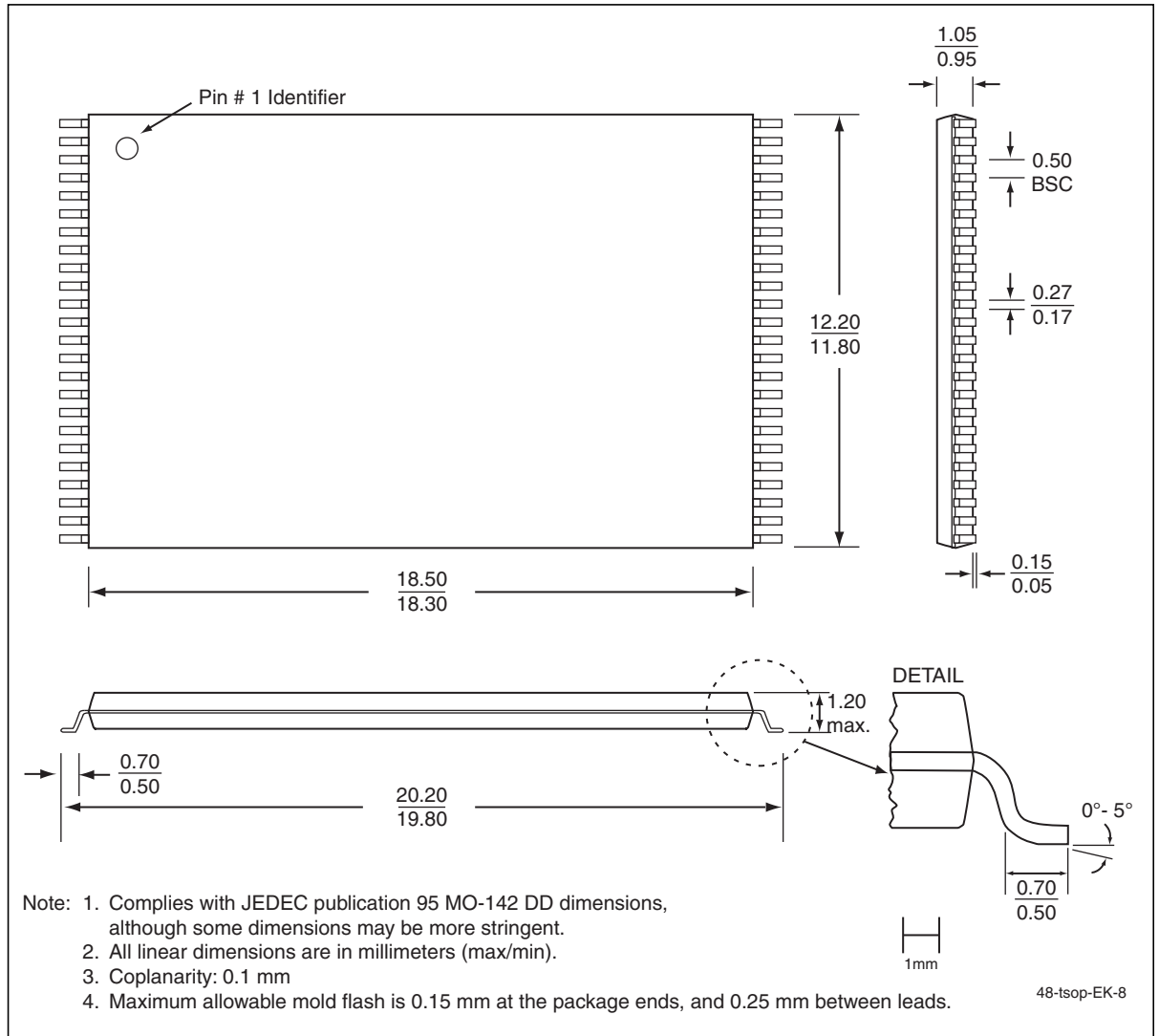
### Valid Combinations for SST39LF802C

|                       |                        |                        |
|-----------------------|------------------------|------------------------|
| SST39LF802C-55-4C-EKE | SST39LF802C-55-4C-B3KE | SST39LF802C-55-4C-MAQE |
|-----------------------|------------------------|------------------------|

**Note:** Valid combinations are those products in mass production or will be in mass production. Consult your SST sales representative to confirm availability of valid combinations and to determine availability of new combinations.



## Packaging Diagrams

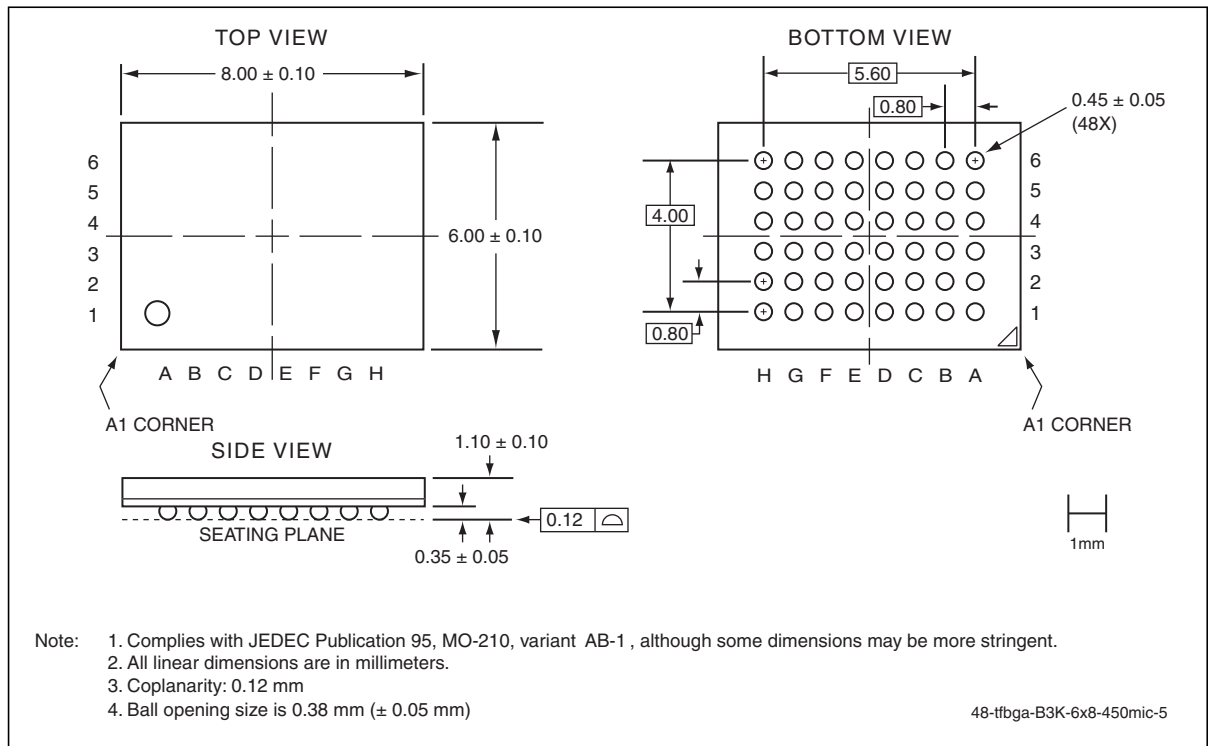


**Figure 27:**48-lead Thin Small Outline Package (TSOP) 12mm x 20mm  
SST Package Code: EK



# 8 Mbit (x16) Multi-Purpose Flash Plus

## SST39VF801C / SST39VF802C / SST39LF801C / SST39LF802C

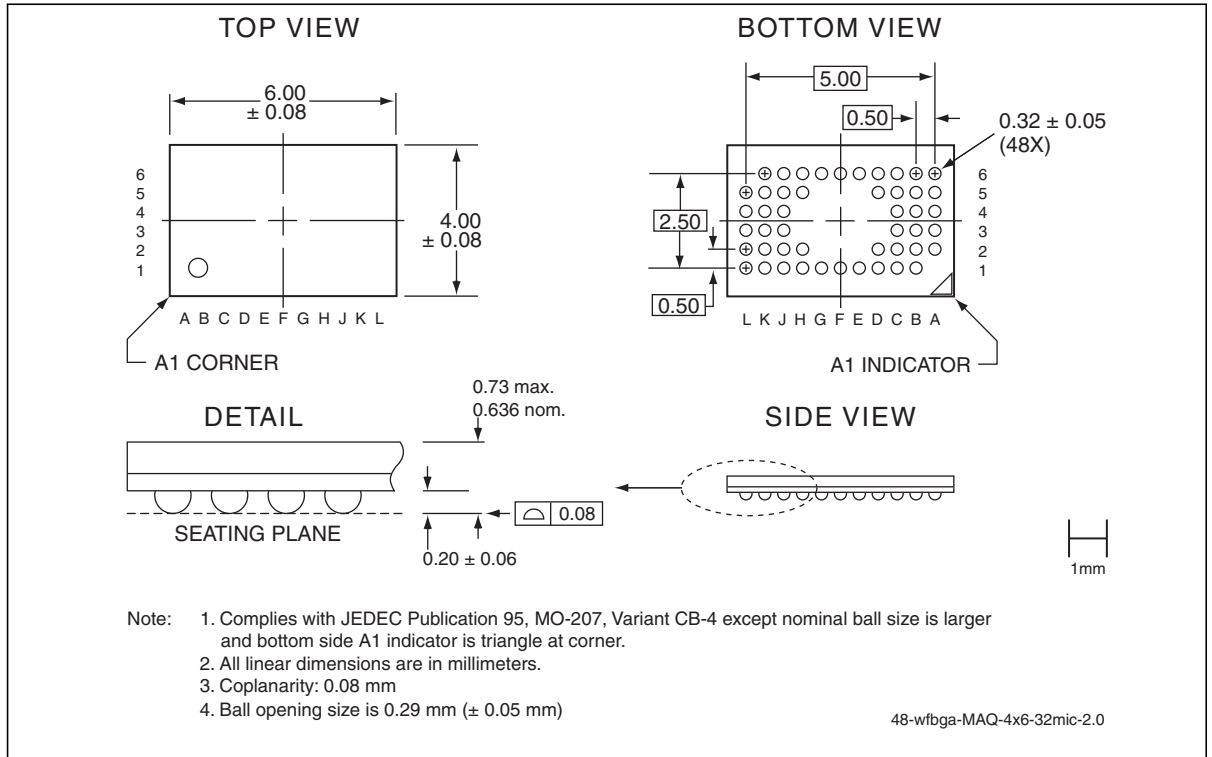


**Figure 28:** 48-ball Thin-profile, Fine-pitch Ball Grid Array (TFBGA) 6mm x 8mm  
SST Package Code: B3K



# 8 Mbit (x16) Multi-Purpose Flash Plus

## SST39VF801C / SST39VF802C / SST39LF801C / SST39LF802C



**Figure 29:** 48-ball Very, Very Thin-profile, Fine-pitch Ball Grid Array (WFBGA) 4mm x 6mm  
SST Package Code: MAQ



A Microchip Technology Company

# 8 Mbit (x16) Multi-Purpose Flash Plus

## SST39VF801C / SST39VF802C / SST39LF801C / SST39LF802C

Data Sheet

**Table 19:** Revision History

| Number | Description       | Date     |
|--------|-------------------|----------|
| A      | • Initial release | May 2011 |

ISBN: 978-1-61341-197-1

© 2011 Silicon Storage Technology, Inc—a Microchip Technology Company. All rights reserved.

SST, Silicon Storage Technology, the SST logo, SuperFlash, MTP, and FlashFlex are registered trademarks of Silicon Storage Technology, Inc. MPF, SQI, Serial Quad I/O, and Z-Scale are trademarks of Silicon Storage Technology, Inc. All other trademarks and registered trademarks mentioned herein are the property of their respective owners.

Specifications are subject to change without notice. Refer to [www.microchip.com](http://www.microchip.com) for the most recent documentation. For the most current package drawings, please see the Packaging Specification located at <http://www.microchip.com/packaging>.

Memory sizes denote raw storage capacity; actual usable capacity may be less.

SST makes no warranty for the use of its products other than those expressly contained in the Standard Terms and Conditions of Sale.

For sales office(s) location and information, please see [www.microchip.com](http://www.microchip.com).

---

Silicon Storage Technology, Inc.  
A Microchip Technology Company  
[www.microchip.com](http://www.microchip.com)

---



Компания «ЭлектроПласт» предлагает заключение долгосрочных отношений при поставках импортных электронных компонентов на взаимовыгодных условиях!

Наши преимущества:

- Оперативные поставки широкого спектра электронных компонентов отечественного и импортного производства напрямую от производителей и с крупнейших мировых складов;
- Поставка более 17-ти миллионов наименований электронных компонентов;
- Поставка сложных, дефицитных, либо снятых с производства позиций;
- Оперативные сроки поставки под заказ (от 5 рабочих дней);
- Экспресс доставка в любую точку России;
- Техническая поддержка проекта, помощь в подборе аналогов, поставка прототипов;
- Система менеджмента качества сертифицирована по Международному стандарту ISO 9001;
- Лицензия ФСБ на осуществление работ с использованием сведений, составляющих государственную тайну;
- Поставка специализированных компонентов (Xilinx, Altera, Analog Devices, Intersil, Interpoint, Microsemi, Aeroflex, Peregrine, Syfer, Eurofarad, Texas Instrument, Miteq, Cobham, E2V, MA-COM, Hittite, Mini-Circuits, General Dynamics и др.);

Помимо этого, одним из направлений компании «ЭлектроПласт» является направление «Источники питания». Мы предлагаем Вам помощь Конструкторского отдела:

- Подбор оптимального решения, техническое обоснование при выборе компонента;
- Подбор аналогов;
- Консультации по применению компонента;
- Поставка образцов и прототипов;
- Техническая поддержка проекта;
- Защита от снятия компонента с производства.



#### Как с нами связаться

**Телефон:** 8 (812) 309 58 32 (многоканальный)

**Факс:** 8 (812) 320-02-42

**Электронная почта:** [org@eplast1.ru](mailto:org@eplast1.ru)

**Адрес:** 198099, г. Санкт-Петербург, ул. Калинина, дом 2, корпус 4, литера А.