

General Description

The MAX14434–MAX14436 evaluation kit (EV kit) provides a proven design to evaluate the MAX14434–MAX14436 four-channel unidirectional digital isolators. Three types of evaluation boards are available to support different channel direction configurations of the MAX14434–MAX14436 family. All evaluation boards support the wide-body 16-pin SOIC package type. See [Table 1](#) for EV kit options.

The EV kit should be powered from two independent isolated power supplies with nominal output voltage in range from 1.71V to 5.5V. For evaluating the electrical parameters of the device without any isolation between the two sides, a single power supply can also be used.

The MAX14434FWEVKIT# comes populated with MAX14434FAWE+, but can also be used to evaluate the following digital isolators: MAX14434BAWE+, MAX14434CAWE+, MAX14434EAW+. The MAX14435FWEVKIT# comes populated with the MAX14435FAWE+ but can also be used to evaluate the following isolators: MAX14435CAWE+, MAX14435BAWE+, MAX14435EAW+, MAX14435RAW+, MAX14435SAWE+, MAX14435UAW+, and MAX14435VAWE+.

The MAX14436WEVKIT# comes populated with the MAX14436FAWE+, but can also be used to evaluate the following digital isolators: MAX14436BAWE+, MAX14436CAWE+, MAX14436EAW+.

Features

- Broad Range of Data Transfer Rates (from DC to 200Mbps)
- Four Unidirectional Channels with 3 Different Channel Direction Configurations
- SMA Connectors for Easy Connection to External Equipment
- Wide Power Supply Voltage Range from 1.71V to 5.5V
- Guaranteed Up to 5kV_{RMS} Isolation for the Wide-Body SOIC Package for 60s

[Ordering Information](#) appears at end of data sheet.

Table 1. EV Kit Options

EVKIT PART #	TARGET DEVICE	PACKAGE TYPE	COMMENT
MAX14434FWEVKIT#	MAX14434FAWE+	16-SOIC wide-body	200Mbps IC populated
MAX14435FWEVKIT#	MAX14435FAWE+	16-SOIC wide-body	200Mbps IC populated
MAX14436FWEVKIT#	MAX14436FAWE+	16-SOIC wide-body	200Mbps IC populated

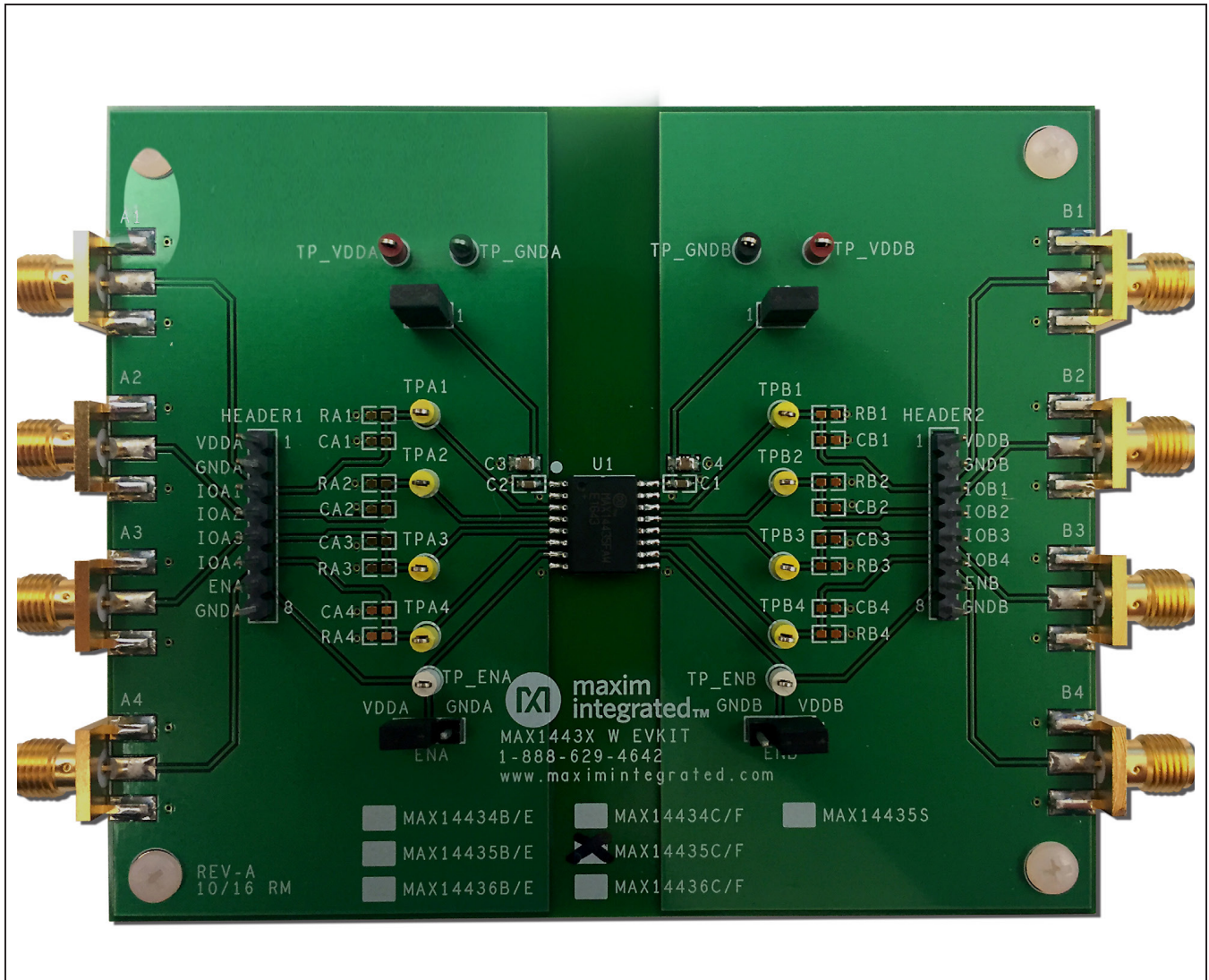


Figure 1. Photograph of Evaluation Kit

Quick Start

Required Equipment

- MAX14434FW, MAX14435FW, or MAX14436FW
- Two DC power supplies with output range of 1.71V to 5.5V
- Signal/function generator
- Oscilloscope

Procedure

The MAX14434FW, MAX14435FW, and MAX14436FW EV kits are fully assembled and ready for evaluation. For manual verification follow the steps below to verify board functionality:

- 1) Verify jumper settings. See [Table 2](#) for all shunt positions.
 - J1 and J2 are closed.

- Jumper ENA is either in 1-2 position if U1 ENA (pin 7) has active-high polarity, or in 2-3 position if U1 $\overline{\text{ENA}}$ (pin 7) has active-low polarity.
 - Jumper ENB is in 1-2 position.
- 2) Connect one DC power supply between the EV kit's TP_VDDA and TP_GNDA test points; connect the other DC power supply between TP_VDDB and TP_GNDB test points.
 - 3) Set both DC power supply outputs between 1.71V and 5.5V, and then enable the power supply outputs. **Note:** *It is also possible to power the EV kits from a single power supply to test electrical parameters but this invalidates the digital isolation of the IC.*
 - 4) Connect the signal/function generator to an input SMA connector or test point of side A and observe the isolated signal on the corresponding side B output, using an oscilloscope.

Table 2. EV Kits Board Connectors and Shunt Positions

CONNECTOR	SHUNT POSITION	DESCRIPTION
SIDE A		
HEADER1	1	Test point or input header for V _{DDA}
	2	Test point or input header for GNDA
	3	Test point or input header for I/O; same as A1 SMA
	4	Test point or input header for I/O; same as A2 SMA
	5	Test point or input header for I/O; same as A3 SMA
	6	Test point or input header for I/O; same as A4 SMA
	7	Test point or input header for side A enable; same as ENA jumper pin 2
	8	Test point or input header for GNDA
A1 (SMA)	n/a	I/O on side A
A2 (SMA)	n/a	I/O on side A
A3 (SMA)	n/a	I/O on side A
A4 (SMA)	n/a	I/O on side A
J1	Open	Use current meter to measure current of side A
	1-2*	Connect power supply to V _{DDA}
ENA	1-2*	Connect side A enable pin to V _{DDA} ; side A outputs are enabled if ENA is active-high or high-impedance if active-low.
	2-3	Connect side A enable pin to GNDA; side A outputs are high-impedance if ENA is active-high or enabled if active-low.

Table 2. EV Kits Board Connectors and Shunt Positions (continued)

CONNECTOR	SHUNT POSITION	DESCRIPTION
SIDE B		
HEADER2	1	Test point or input header for V_{DDB}
	2	Test point or input header for GNDB
	3	Test point or input header for I/O; same as B1 SMA
	4	Test point or input header for I/O; same as B2 SMA
	5	Test point or input header for I/O; same as B3 SMA
	6	Test point or input header for I/O; same as B4 SMA
	7	Test point or input header for side B enable; same as ENB jumper pin 2
	8	Test point or input header for GNDB
B1 (SMA)	n/a	I/O on side B
B2 (SMA)	n/a	I/O on side B
B3 (SMA)	n/a	I/O on side B
B4 (SMA)	n/a	I/O on side B
J2	Open	Use current meter to measure current of side B
	1-2*	Connect power supply to V_{DDB}
ENB	1-2*	Connect side B enable pin to V_{DDB} ; side B outputs are enabled if ENB is active high or high-impedance if active-low
	2-3	Connect side B enable pin to GNDB; side B outputs are high-impedance.

*Default configuration

Table 3. EV Kits Test Points

TEST POINT	DESCRIPTION
SIDE A	
TP_VDDA	Test point for V_{DDA}
TP_GNDA	Test point for GNDA
TPA1	Test point for SMA connector A1
TPA2	Test point for SMA connector A2
TPA3	Test point for SMA connector A3
TPA4	Test point for SMA connector A4
TP_ENA	Test point for jumper ENA pin 2
SIDE B	
TP_VDDB	Test point for V_{DDB}
TP_GNDB	Test point for GNDB
TPB1	Test point for SMA connector B1
TPB2	Test point for SMA connector B2
TPB3	Test point for SMA connector B3
TPB4	Test point for SMA connector B4
TP_ENB	Test point for jumper ENB pin 2

Detailed Description of Hardware

The EV kits are powered from two power supplies as described below.

External Power Supplies

Power to the MAX14434FW, MAX14435FW, and MAX14436FW EV kits is derived from two external sources which can both be between +1.71V and +5.5V. Connect one source between the V_{DDA} and GNDA test points, and the other source between the V_{DDB} and GNDB test points. Each supply can be set independently and can be present over the entire range from 1.71V to 5.5V, regardless of the level or presence of the other supply. The MAX14434–MAX14436 level-shift the data, transmitting them across the isolation barrier.

Four SMA connectors on each side of the board allow easy connections to signal generator(s) and oscilloscope. A typical test setup is shown in Figure 2.

Decoupling Capacitors

Each power supply is decoupled with a 10μF ceramic capacitor in parallel with a 0.1μF ceramic capacitor, which are placed close to the U1 V_{DDA} and V_{DDB} pin.

Termination

Each input and output has an unpopulated 0603 SMT resistor (RA1–RA4, RB1–RB4) and an unpopulated 0603 SMT capacitor (CA1–CA4, CB1–CB4) to GND_ to allow termination based on customer requirements.

Shunt Positions

Jumpers J1 and J2 are installed between the external power supplies and U1 power supply pins to allow supply current measurement. Uninstall the J1 and J2 shunts and connect current meters on both side A and side B to measure the MAX14434–MAX14436 supply current.

Jumper ENA is provided to enable or disable the side A of the isolator channels. To enable the devices with active-high enable pin on the side A (MAX1443_B/C/E/F), connect the ENA shunt to V_{DDA}. To enable the devices with active-low enable pin on the side A (MAX14435R/S/U/V), connect the ENA shunt to GNDA. The side A outputs are high-impedance when disabled.

Jumper ENB is provided to enable or disable the side B of the isolator channels. Connect the ENB shunt to V_{DDB} to enable the side B channels, or connect to GNDB to disable the side B channels. The side B outputs are high-impedance when disabled. See Table 2 for all shunt positions.

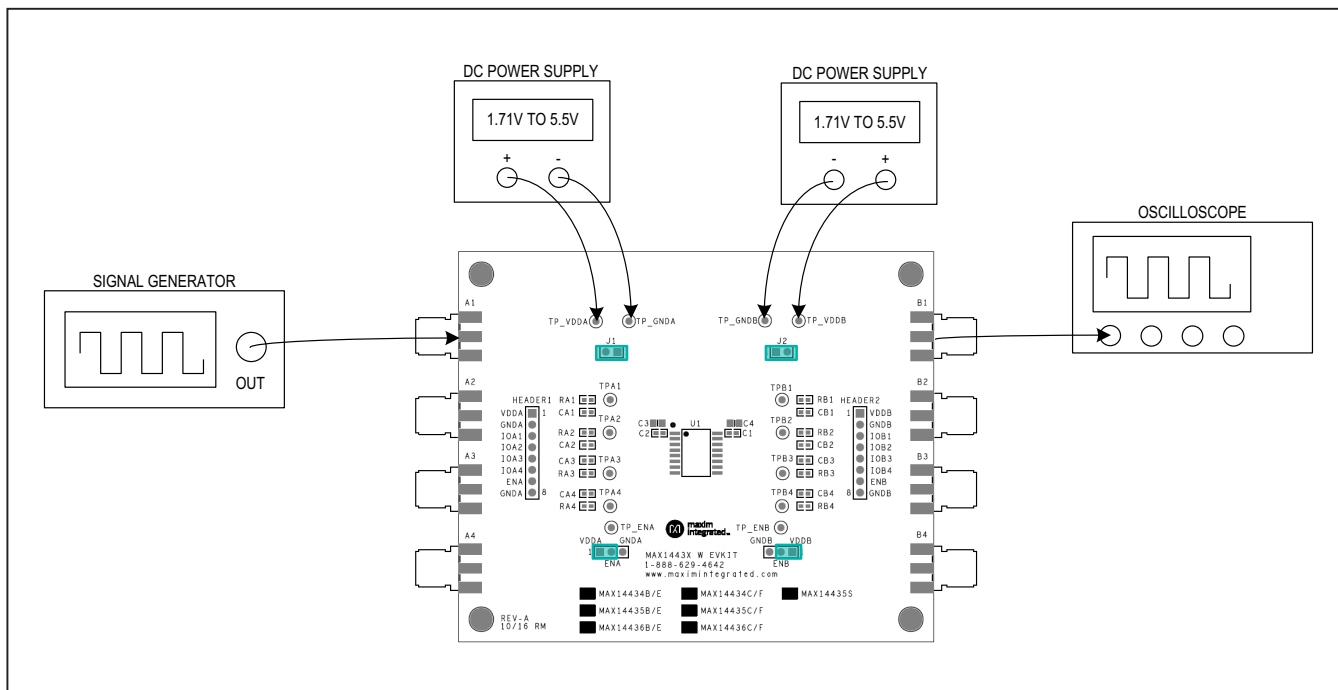


Figure 2. EV Kit Typical Test Setup

Ordering Information

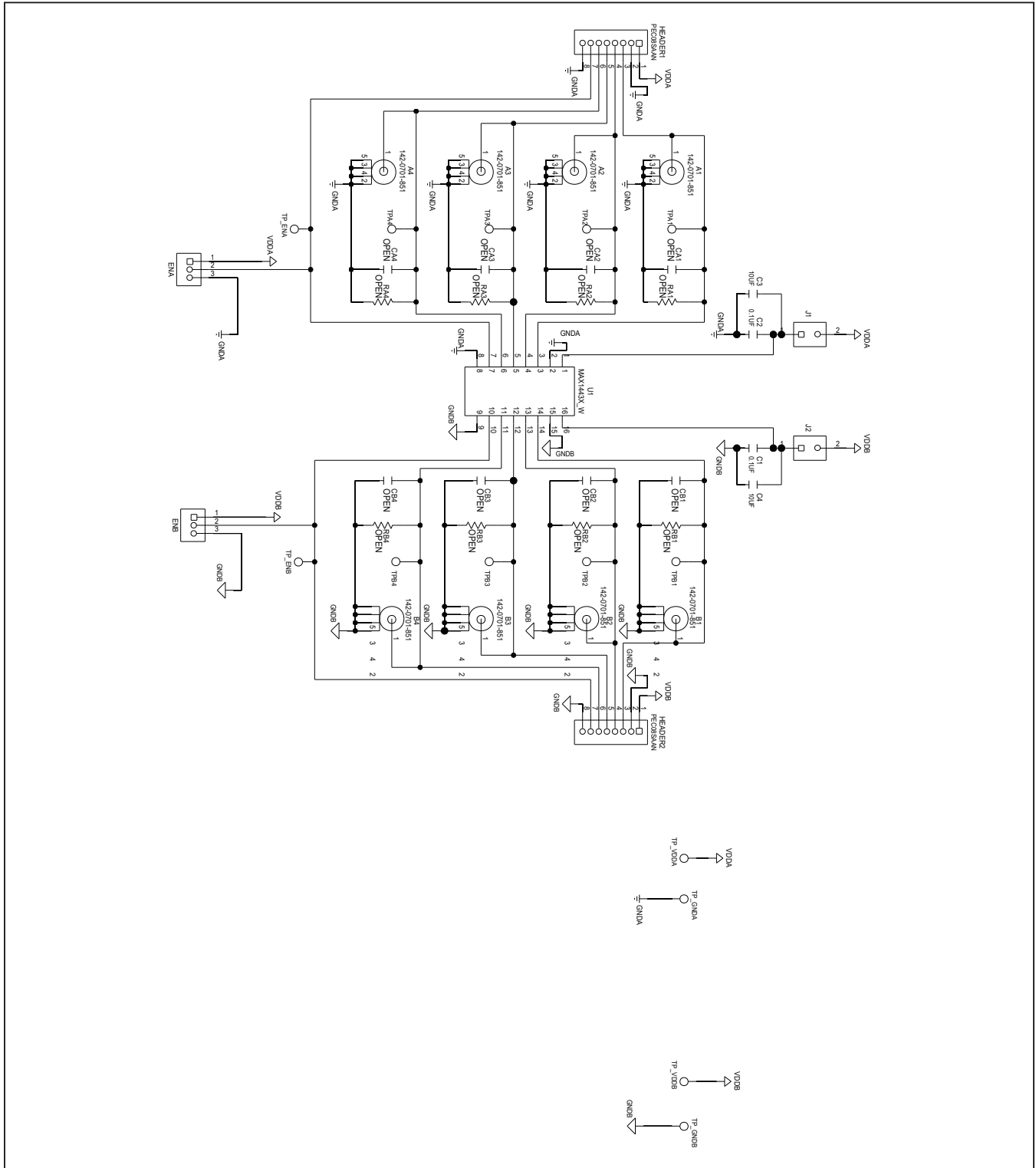
PART	TYPE
MAX14434FWEVKIT#	EVKIT with installed MAX14434FAWE+
MAX14435FWEVKIT#	EVKIT with installed MAX14435FAWE+
MAX14436FWEVKIT#	EVKIT with installed MAX14436FAWE+

#Denotes RoHS compliant.

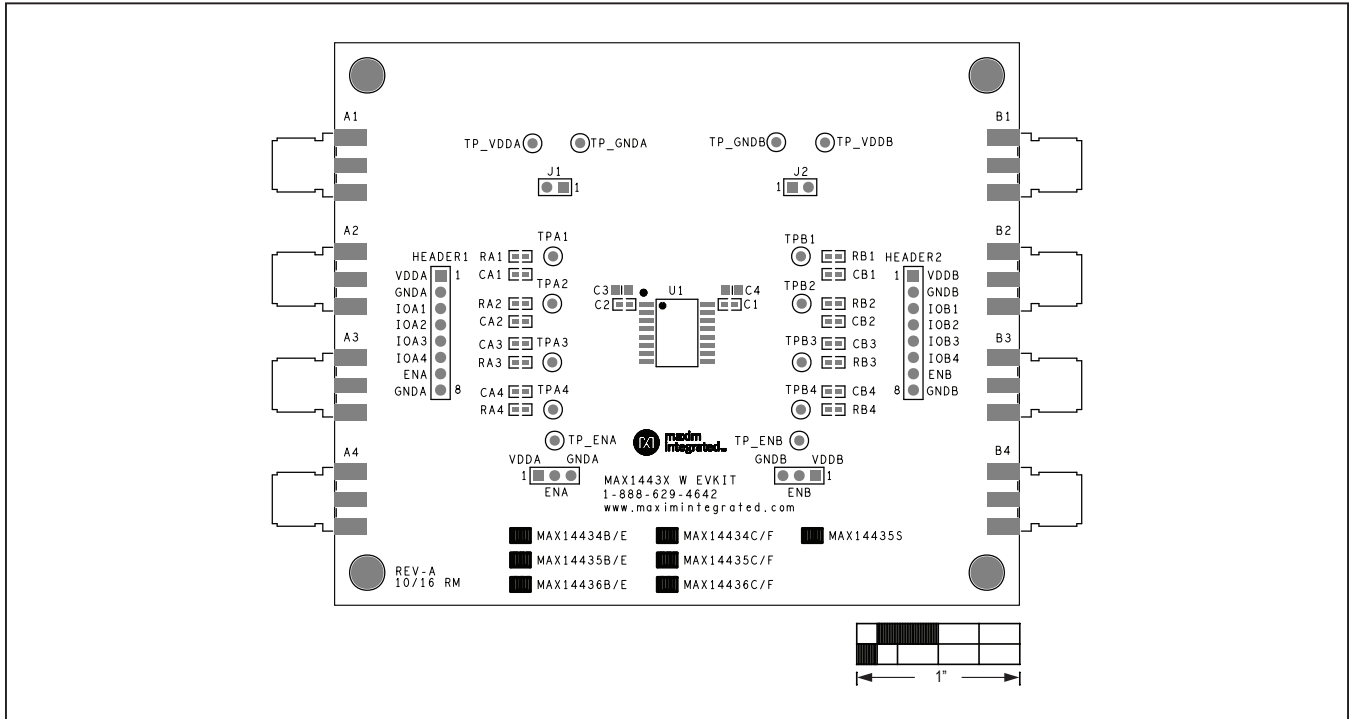
MAX14434-MAX14436 EV Kit Bill of Materials

ITEM	REF_DES	DNI/DNP	QT	MFG PART #	MANUFACTURER	VALUE	DESCRIPTION	COMMENTS
1	A1-A4, B1-B4	-	8	142-0701-851	JOHNSON COMPONENTS	142-0701-851	CONNECTOR; END LAUNCH JACK RECEPTACLE; BOARDMOUNT; STRAIGHT THROUGH; 2PINS;	
2	C1, C2	-	2	ECJ-1VB1H104K; GRM188R71H104KA; CGJ3E2X7R1H104K080AA; C1608X7R1H104K080AA; CL10B104KB8NFN; CL10B104KB8NPN	PANASONIC; MURATA; TDK; SAMSUNG	0.1UF	CAPACITOR; SMT (0603); CERAMIC CHIP; 0.1UF; 50V; TOL=10%; TG=-55 DEGC TO +125 DEGC; TC=X7R;	
3	C3, C4	-	2	CL21B106KOQNNN	SAMSUNG ELECTRONICS	10UF	CAPACITOR; SMT (0805); CERAMIC CHIP; 10UF; 16V; TOL=10%; TG=-55 DEGC TO +125 DEGC; TC=X7R	
4	ENA, ENB	-	2	PEC03SAAN	SULLINS	PEC03SAAN	CONNECTOR; MALE; THROUGH HOLE; BREAKAWAY; STRAIGHT; 3PINS	
5	HEADER1, HEADER2	-	2	PEC08SAAN	SULLINS ELECTRONICS CORP.	PEC08SAAN	CONNECTOR; MALE; THROUGH HOLE; .100IN CONTACT CENTER; MALE BREAKAWAY HEADER ; STRAIGHT; 8PINS	
6	J1, J2	-	2	PEC02SAAN	SULLINS	PEC02SAAN	CONNECTOR; MALE; THROUGH HOLE; BREAKAWAY; STRAIGHT; 2PINS	
7	MTH1-MTH4	-	4	EVKIT_STANDOFF_4-40_3/8	?	EVKIT_STANDOFF_4-40_3/8	KIT; ASSY-STANDOFF 3/8IN; 1PC. STANDOFF/FEM/HEX/4-40IN/ (3/8IN)NYLON; 1PC. SCREW/SLOT/PAN/4-40IN(3/8IN)NYLON	
8	SU1-SU4	-	4	STC02SYAN	SULLINS ELECTRONICS CORP.	STC02SYAN	TEST POINT; JUMPER; STR; TOTAL LENGTH=0.256IN; BLACK; INSULATION=PBT CONTACT=PHOSPHOR BRONZE; COPPER PLATED TIN OVERALL	
9	TPA1-TPA4, TPB1-TPB4	-	8	5004	KEYSTONE	N/A	TEST POINT; PIN DIA=0.1IN; TOTAL LENGTH=0.3IN; BOARD HOLE=0.04IN; YELLOW; PHOSPHOR BRONZE WIRE SILVER PLATE FINISH;	
10	TP_ENA, TP_ENB	-	2	5002	KEYSTONE	N/A	TEST POINT; PIN DIA=0.1IN; TOTAL LENGTH=0.3IN; BOARD HOLE=0.04IN; WHITE; PHOSPHOR BRONZE WIRE SILVER;	
11	TP_GNDA, TP_GNDB	-	2	5001	KEYSTONE	N/A	TEST POINT; PIN DIA=0.1IN; TOTAL LENGTH=0.3IN; BOARD HOLE=0.04IN; BLACK; PHOSPHOR BRONZE WIRE SILVER PLATE FINISH;	
12	TP_VDDA, TP_Vddb	-	2	5000	KEYSTONE	N/A	TEST POINT; PIN DIA=0.1IN; TOTAL LENGTH=0.3IN; BOARD HOLE=0.04IN; RED; PHOSPHOR BRONZE WIRE SILVER PLATE FINISH;	
13	U1	-	1	MAX1443X_W	MAXIM	MAX1443X_W	EVKIT PART-IC; MAX1443X SERIES; PACKAGE DWG NO.: 21- 0042; PACKAGE LAND PATTERN: 90-0107; WSOIC16	
14	CA1-CA4, CB1-CB4	DNP	0	N/A	N/A	OPEN	PACKAGE OUTLINE 0603 NON-POLAR CAPACITOR	

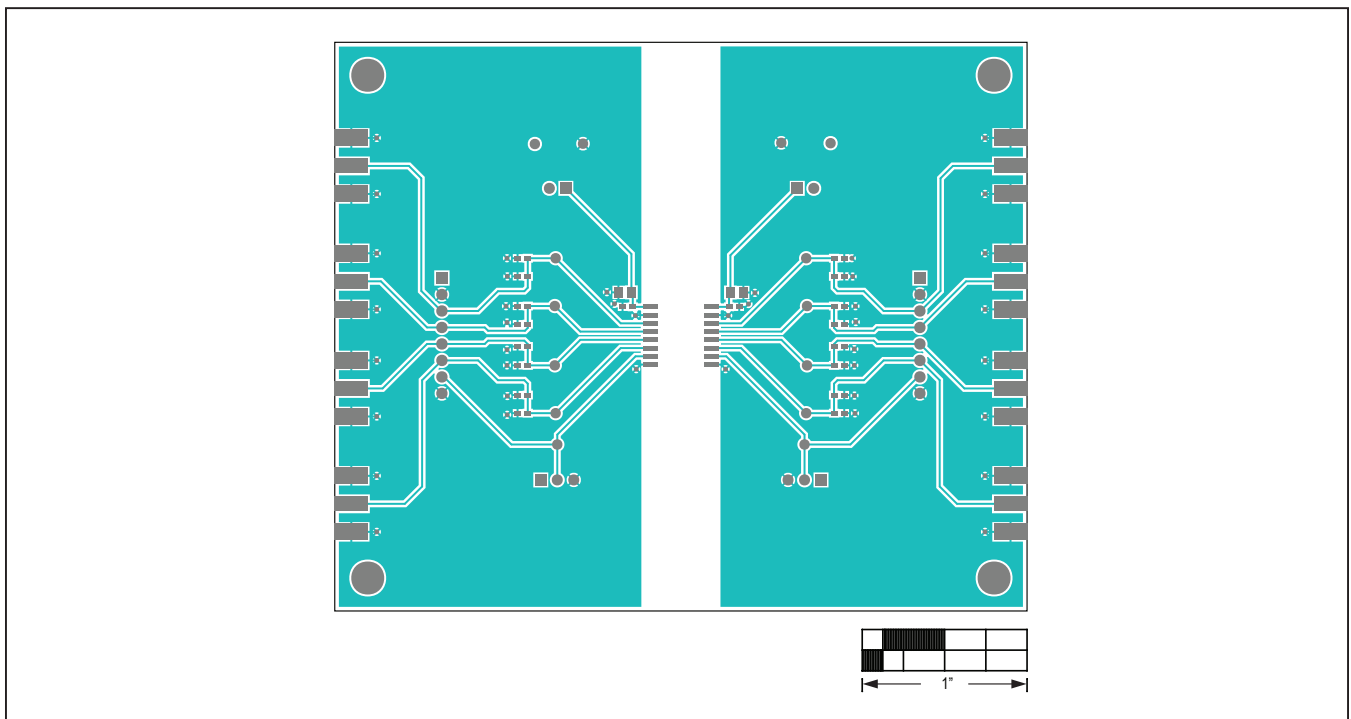
MAX14434–MAX14436 EV Kit Schematic



MAX14434–MAX14436 EV Kit PCB Layout Diagrams

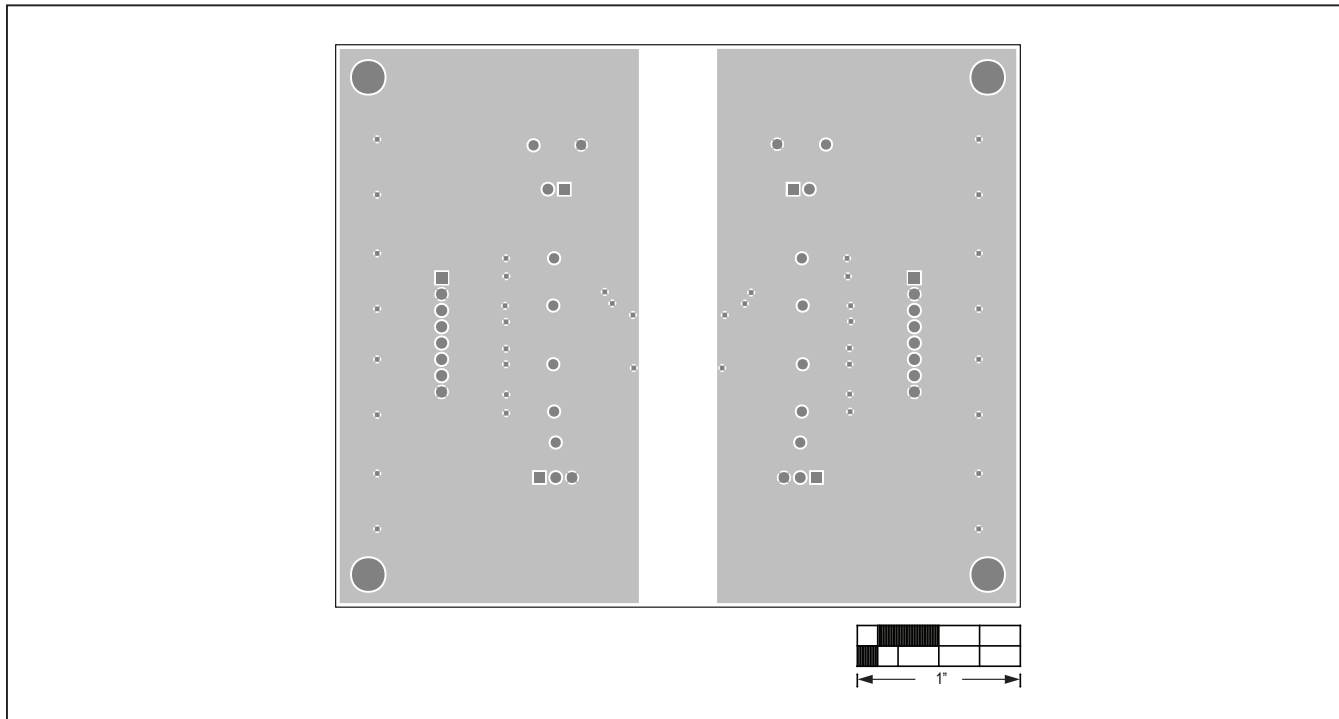


MAX14434–MAX14436 EV Kit—Top Silkscreen

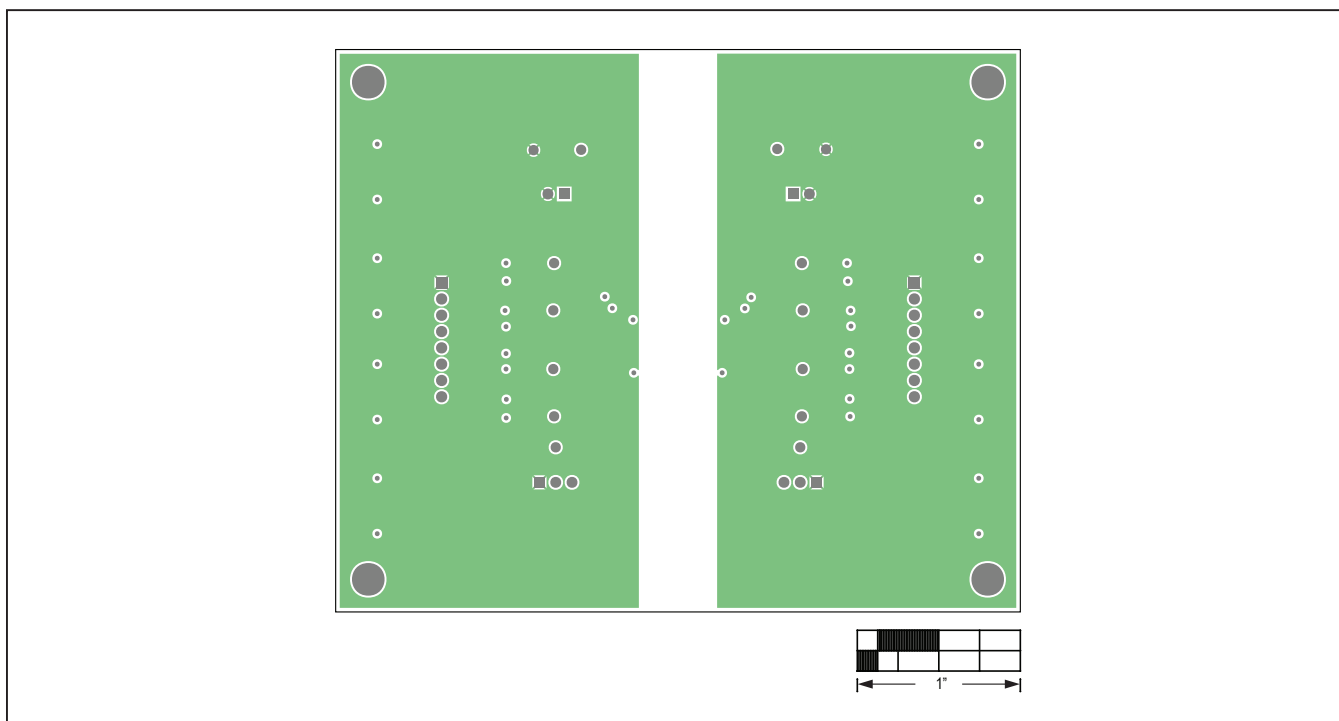


MAX14434–MAX14436 EV Kit—Top

MAX14434-MAX14436 EV Kit PCB Layout Diagrams (continued)

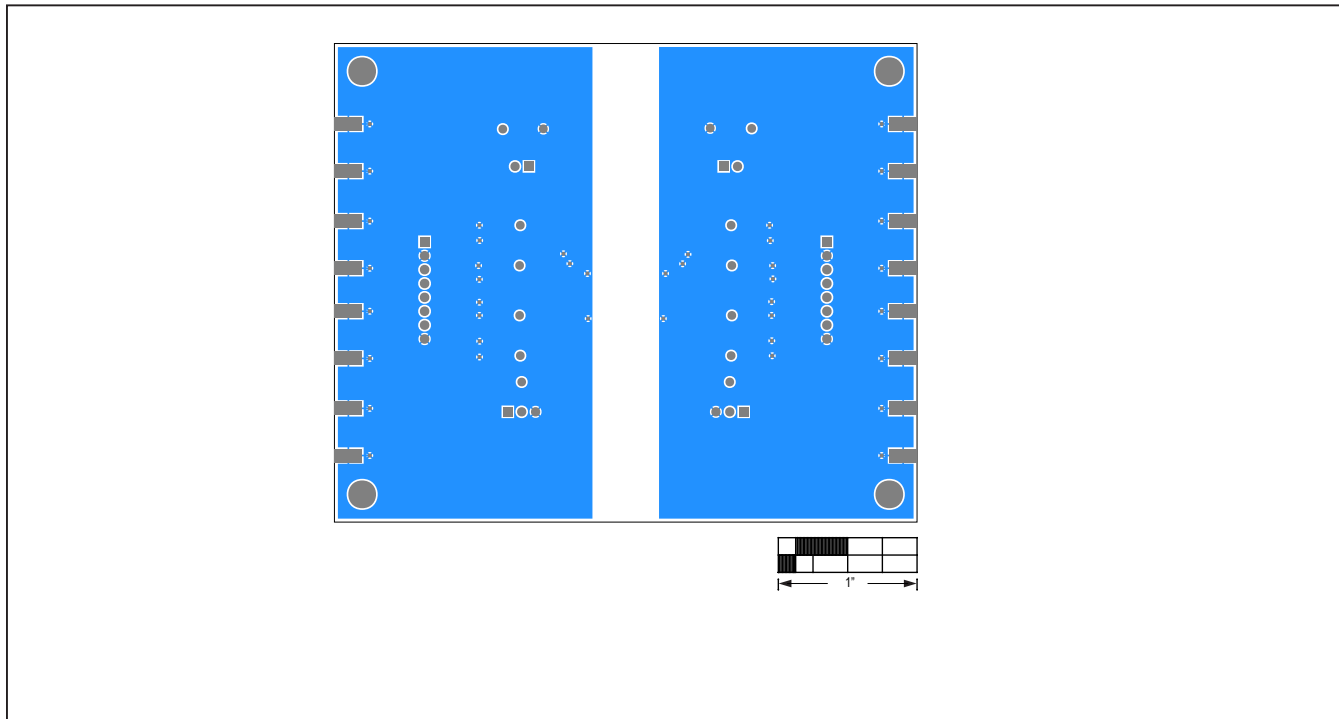


MAX14434–MAX14436 EV Kit—L2 GND



MAX14434–MAX14436 EV Kit—L3 PWR

MAX14434–MAX14436 EV Kit PCB Layout Diagrams (continued)



MAX14434–MAX14436 EV Kit—Bottom

Revision History

REVISION NUMBER	REVISION DATE	DESCRIPTION	PAGES CHANGED
0	7/17	Initial release	—
1	2/19	Removed future product designation from MAX14434FWEVKIT# in the <i>Ordering Information</i> table	6

For pricing, delivery, and ordering information, please contact Maxim Direct at 1-888-629-4642, or visit Maxim Integrated's website at www.maximintegrated.com.

Maxim Integrated cannot assume responsibility for use of any circuitry other than circuitry entirely embodied in a Maxim Integrated product. No circuit patent licenses are implied. Maxim Integrated reserves the right to change the circuitry and specifications without notice at any time.



Компания «ЭлектроПласт» предлагает заключение долгосрочных отношений при поставках импортных электронных компонентов на взаимовыгодных условиях!

Наши преимущества:

- Оперативные поставки широкого спектра электронных компонентов отечественного и импортного производства напрямую от производителей и с крупнейших мировых складов;
- Поставка более 17-ти миллионов наименований электронных компонентов;
- Поставка сложных, дефицитных, либо снятых с производства позиций;
- Оперативные сроки поставки под заказ (от 5 рабочих дней);
- Экспресс доставка в любую точку России;
- Техническая поддержка проекта, помощь в подборе аналогов, поставка прототипов;
- Система менеджмента качества сертифицирована по Международному стандарту ISO 9001;
- Лицензия ФСБ на осуществление работ с использованием сведений, составляющих государственную тайну;
- Поставка специализированных компонентов (Xilinx, Altera, Analog Devices, Intersil, Interpoint, Microsemi, Aeroflex, Peregrine, Syfer, Eurofarad, Texas Instrument, Miteq, Cobham, E2V, MA-COM, Hittite, Mini-Circuits, General Dynamics и др.);

Помимо этого, одним из направлений компании «ЭлектроПласт» является направление «Источники питания». Мы предлагаем Вам помощь Конструкторского отдела:

- Подбор оптимального решения, техническое обоснование при выборе компонента;
- Подбор аналогов;
- Консультации по применению компонента;
- Поставка образцов и прототипов;
- Техническая поддержка проекта;
- Защита от снятия компонента с производства.



Как с нами связаться

Телефон: 8 (812) 309 58 32 (многоканальный)

Факс: 8 (812) 320-02-42

Электронная почта: org@eplast1.ru

Адрес: 198099, г. Санкт-Петербург, ул. Калинина, дом 2, корпус 4, литера А.