

FEATURES

Power

- Supply: 2.5 V to 5.25 V operation
- Normal: 75 μ A maximum
- Power-down: 1 μ A maximum
- RMS noise: 1.1 μ V at 9.5 Hz update rate
- 16-bit p-p resolution
- Integral nonlinearity: 3.5 ppm typical
- Simultaneous 50 Hz and 60 Hz rejection
- Internal clock oscillator
- Programmable gain amplifier
- Rail-to-rail input buffer
- V_{DD} monitor channel
- Temperature range: -40°C to +105°C
- 10-lead MSOP

INTERFACE

- 3-wire serial
- SPI[®], QSPI[™], MICROWIRE[™], and DSP compatible
- Schmitt trigger on SCLK

APPLICATIONS

- Smart transmitters
- Battery applications
- Portable instrumentation
- Sensor measurement
- Temperature measurement
- Pressure measurement
- Weigh scales
- 4 to 20 mA loops

FUNCTIONAL BLOCK DIAGRAM

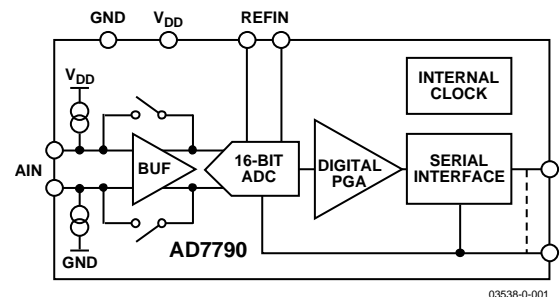


Figure 1.

GENERAL DESCRIPTION

The AD7790 is a low power, complete analog front end for low frequency measurement applications. It contains a low noise 16-bit Σ - Δ ADC with one differential input that can be buffered or unbuffered along with a digital PGA, which allows gains of 1, 2, 4, and 8.

The device operates from an internal clock. Therefore, the user does not have to supply a clock source to the device. The output data rate from the part is software programmable and can be varied from 9.5 Hz to 120 Hz, with the rms noise equal to 1.1 μ V at the lower update rate. The internal clock frequency can be divided by a factor of 2, 4, or 8, which leads to a reduction in the current consumption. The update rate, cutoff frequency, and settling time will scale with the clock frequency.

The part operates with a power supply from 2.5 V to 5.25 V. When operating from a 3 V supply, the power dissipation for the part is 225 μ W maximum. It is housed in a 10-lead MSOP.

Rev. A

Information furnished by Analog Devices is believed to be accurate and reliable. However, no responsibility is assumed by Analog Devices for its use, nor for any infringements of patents or other rights of third parties that may result from its use. Specifications subject to change without notice. No license is granted by implication or otherwise under any patent or patent rights of Analog Devices. Trademarks and registered trademarks are the property of their respective owners.

Document Feedback

TABLE OF CONTENTS

| | | | |
|--|----|-----------------------------------|----|
| AD7790—Specifications | 3 | Reduced Current Modes | 13 |
| Timing Characteristics | 5 | Digital Interface | 14 |
| Absolute Maximum Ratings..... | 7 | Single Conversion Mode | 15 |
| ESD Caution..... | 7 | Continuous Conversion Mode | 15 |
| Pin Configuration and Function Descriptions..... | 8 | Continuous Read Mode | 16 |
| Typical Performance Characteristics | 9 | Circuit Description..... | 17 |
| On-Chip Registers | 10 | Analog Input Channel | 17 |
| Communications Register (RS1, RS0 = 0, 0) | 10 | Programmable Gain Amplifier | 17 |
| Status Register (RS1, RS0 = 0, 0; Power-on/Reset = 0x88) ... | 11 | Bipolar Configuration..... | 17 |
| Mode Register (RS1, RS0 = 0, 1; Power-on/Reset = 0x02).... | 11 | Data Output Coding | 17 |
| Filter Register (RS1, RS0 = 1, 0; Power-on/Reset = 0x04).... | 12 | Reference Input..... | 17 |
| Data Register (RS1, RS0 = 1, 1; Power-on/Reset = 0x0000) . | 12 | V _{DD} Monitor | 18 |
| ADC Circuit Information..... | 13 | Grounding and Layout | 18 |
| Overview..... | 13 | Outline Dimensions | 19 |
| Noise Performance | 13 | Ordering Guide | 19 |

REVISION HISTORY

3/13—Rev. 0 to Rev. A

| | |
|---|----|
| Added ESD Caution Section | 7 |
| Changes to Figure 10..... | 15 |
| Change to Reference Input Section | 17 |
| Updated Outline Dimensions | 19 |
| Changes to Ordering Guide | 19 |

8/03—Revision 0: Initial Version

AD7790—SPECIFICATIONS¹

Table 1. ($V_{DD} = 2.5\text{ V to }5.25\text{ V}$; $REFIN(+)=2.5\text{ V}$; $REFIN(-)=\text{GND}$; $CDIV1 = CDIV0 = 0$; $\text{GND} = 0\text{ V}$; all specifications T_{MIN} to T_{MAX} , unless otherwise noted.)

| Parameter | AD7790B | Unit | Test Conditions/Comments |
|--|--|---------------------------------|--|
| ADC CHANNEL SPECIFICATION | | | |
| Output Update Rate | 9.5 120 | Hz min nom Hz max nom | |
| ADC CHANNEL | | | |
| No Missing Codes ² | 16 | Bits min | $\pm V_{REF}$ Range, Update Rate $\leq 20\text{ Hz}$ |
| Resolution | 16 | Bits p-p | 9.5 Hz Update Rate |
| Output Noise | 1.1 | $\mu\text{V rms typ}$ | |
| Integral Nonlinearity | ± 15 | ppm of FSR max | 3.5 ppm typ |
| Offset Error | ± 3 | $\mu\text{V typ}$ | |
| Offset Error Drift vs. Temperature | ± 10 | $\text{nV}/^\circ\text{C typ}$ | |
| Full-Scale Error ³ | ± 10 | $\mu\text{V typ}$ | |
| Gain Drift vs. Temperature | ± 0.5 | $\text{ppm}/^\circ\text{C typ}$ | |
| Power Supply Rejection | 90 | dB min | Input Range = $\pm REFIN$, 100 dB typ |
| ANALOG INPUTS | | | |
| Differential Input Voltage Ranges | $\pm REFIN/GAIN$ | V nom | $REFIN = REFIN(+)-REFIN(-)$; GAIN = 1, 2, 4, or 8 |
| Absolute AIN Voltage Limits ² | GND + 100 mV $V_{DD} - 100\text{ mV}$ | V min V max | Buffered Mode of Operation |
| Analog Input Current | | | Buffered Mode of Operation |
| Average Input Current ² | ± 1 | nA max | |
| Average Input Current Drift | ± 5 | $\text{pA}/^\circ\text{C typ}$ | |
| Absolute AIN Voltage Limits ² | GND – 30 mV $V_{DD} + 30\text{ mV}$ | V min V max | Unbuffered Mode of Operation |
| Analog Input Current | | | Unbuffered Mode of Operation Input current varies with input voltage. |
| Average Input Current | ± 400 | nA/V typ | |
| Average Input Current Drift | ± 50 | $\text{pA}/^\circ\text{C typ}$ | |
| Normal Mode Rejection ² | | | |
| @ 50 Hz, 60 Hz | 65 | dB min | 73 dB typ, $50 \pm 1\text{ Hz}$, $60 \pm 1\text{ Hz}$, $FS[2:0] = 100^4$ |
| @ 50 Hz | 80 | dB min | 90 dB typ, $50 \pm 1\text{ Hz}$, $FS[2:0] = 101^4$ |
| @ 60 Hz | 80 | dB min | 90 dB typ, $60 \pm 1\text{ Hz}$, $FS[2:0] = 011^4$ |
| Common Mode Rejection | | | Input Range = $\pm REFIN$, AIN = 1 V |
| @ DC | 90 | dB min | 100 dB typ ($FS[2:0] = 100^4$) |
| @ 50 Hz, 60 Hz ² | 100 | dB min | $50 \pm 1\text{ Hz}$ ($FS[2:0] = 101^4$), $60 \pm 1\text{ Hz}$ ($FS[2:0] = 011^4$) |
| REFERENCE INPUT | | | |
| REFIN Voltage | 2.5 | V nom | $REFIN = REFIN(+)-REFIN(-)$ |
| Reference Voltage Range ² | 0.1 V_{DD} | V min V max | |
| Absolute REFIN Voltage Limits ² | GND – 30 mV $V_{DD} + 30\text{ mV}$ | V min V max | |
| Average Reference Input Current | 0.5 | $\mu\text{A}/\text{V typ}$ | |
| Average Reference Input Current Drift | ± 0.03 | $\text{nA}/^\circ\text{C typ}$ | |

¹ Temperature Range -40°C to $+105^\circ\text{C}$.

² Specification is not production tested, but is supported by characterization data at initial product release.

³ Full-scale error applies to both positive and negative full-scale and applies at the factory calibration conditions ($V_{DD} = 4\text{ V}$).

⁴ FS[2:0] are the three bits used in the filter register to select the output word rate.

SPECIFICATIONS (continued)¹

| Parameter | AD7790B | Unit | Test Conditions/Comments |
|--|-----------------------|-------------|--|
| REFERENCE INPUT (continued) | | | |
| Normal Mode Rejection ² | | | |
| @ 50 Hz, 60 Hz | 65 | dB min | 73 dB typ, 50 ± 1 Hz, 60 ± 1 Hz, FS[2:0] = 100 ⁴ |
| @ 50 Hz | 80 | dB min | 90 dB typ, 50 ± 1 Hz, FS[2:0] = 101 ⁴ |
| @ 60 Hz | 80 | dB min | 90 dB typ, 60 ± 1 Hz, FS[2:0] = 011 ⁴ |
| Common Mode Rejection | | | Input Range = ±2.5 V, AIN = 1 V |
| @ DC | 100 | dB typ | FS[2:0] = 100 ⁴ |
| @ 50 Hz, 60 Hz | 110 | dB typ | 50 ± 1 Hz (FS[2:0] = 101 ⁴), 60 ± 1 Hz (FS[2:0] = 011 ⁴) |
| LOGIC INPUTS | | | |
| All Inputs Except SCLK ² | | | |
| V _{INL} , Input Low Voltage | 0.8 | V max | V _{DD} = 5 V |
| | 0.4 | V max | V _{DD} = 3 V |
| V _{INH} , Input High Voltage | 2.0 | V min | V _{DD} = 3 V or 5 V |
| SCLK Only (Schmitt-Triggered Input) ² | | | |
| V _{T(+)} | 1.4/2 | V min/V max | V _{DD} = 5 V |
| V _{T(-)} | 0.8/1.4 | V min/V max | V _{DD} = 5 V |
| V _{T(+)} - V _{T(-)} | 0.3/0.85 | V min/V max | V _{DD} = 5 V |
| V _{T(+)} | 0.9/2 | V min/V max | V _{DD} = 3 V |
| V _{T(-)} | 0.4/1.1 | V min/V max | V _{DD} = 3 V |
| V _{T(+)} - V _{T(-)} | 0.3/0.85 | V min/V max | V _{DD} = 3 V |
| Input Currents | ±1 | μA max | V _{IN} = V _{DD} or GND |
| Input Capacitance | 10 | pF typ | All Digital Inputs |
| LOGIC OUTPUTS | | | |
| V _{OH} , Output High Voltage ² | V _{DD} - 0.6 | V min | V _{DD} = 3 V, I _{SOURCE} = 100 μA |
| V _{OL} , Output Low Voltage ² | 0.4 | V max | V _{DD} = 3 V, I _{SINK} = 100 μA |
| V _{OH} , Output High Voltage ² | 4 | V min | V _{DD} = 5 V, I _{SOURCE} = 200 μA |
| V _{OL} , Output Low Voltage ² | 0.4 | V max | V _{DD} = 5 V, I _{SINK} = 1.6 mA |
| Floating-State Leakage Current | ±1 | μA max | |
| Floating-State Output Capacitance | 10 | pF typ | |
| Data Output Coding | Offset Binary | | |
| POWER REQUIREMENTS ⁵ | | | |
| Power Supply Voltage | | | |
| V _{DD} - GND | 2.5/5.25 | V min/max | |
| Power Supply Currents | | | |
| I _{DD} Current ⁶ | 75 | μA max | 65 μA typ, V _{DD} = 3.6 V, Unbuffered Mode |
| | 145 | μA max | 130 μA typ, V _{DD} = 3.6 V, Buffered Mode |
| | 80 | μA max | 73 μA typ, V _{DD} = 5.25 V, Unbuffered Mode |
| | 160 | μA max | 145 μA typ, V _{DD} = 5.25 V, Buffered Mode |
| I _{DD} (Power-Down Mode) | 1 | μA max | |

⁵ Digital inputs equal to V_{DD} or GND.⁶ The current consumption can be further reduced by using the ADC in one of the low power modes (see Table 15).

TIMING CHARACTERISTICS^{1, 2}

Table 2. ($V_{DD} = 2.5\text{ V to }5.25\text{ V}$; $GND = 0\text{ V}$, $REFIN(+)=2.5\text{ V}$, $REFIN(-)=GND$, $CDIV1 = CDIV0 = 0$, **Input Logic 0 = 0 V**, **Input Logic 1 = V_{DD}** , unless otherwise noted.)

| Parameter | Limit at T_{MIN} , T_{MAX} (B Version) | Unit | Conditions/Comments |
|-----------------|---|--------|--|
| t_3 | 100 | ns min | SCLK High Pulsewidth |
| t_4 | 100 | ns min | SCLK Low Pulsewidth |
| Read Operation | | | |
| t_1 | 0 | ns min | \overline{CS} Falling Edge to $\overline{DOUT}/\overline{RDY}$ Active Time |
| | 60 | ns max | $V_{DD} = 4.75\text{ V to }5.25\text{ V}$ |
| | 80 | ns max | $V_{DD} = 2.5\text{ V to }3.6\text{ V}$ |
| t_2^3 | 0 | ns min | SCLK Active Edge to Data Valid Delay ⁴ |
| | 60 | ns max | $V_{DD} = 4.75\text{ V to }5.25\text{ V}$ |
| | 80 | ns max | $V_{DD} = 2.5\text{ V to }3.6\text{ V}$ |
| $t_5^{5, 6}$ | 10 | ns min | Bus Relinquish Time after \overline{CS} Inactive Edge |
| | 80 | ns max | |
| t_6 | 100 | ns max | SCLK Inactive Edge to \overline{CS} Inactive Edge |
| t_7 | 10 | ns min | SCLK Inactive Edge to $\overline{DOUT}/\overline{RDY}$ High |
| Write Operation | | | |
| t_8 | 0 | ns min | \overline{CS} Falling Edge to SCLK Active Edge Setup Time ⁴ |
| t_9 | 30 | ns min | Data Valid to SCLK Edge Setup Time |
| t_{10} | 25 | ns min | Data Valid to SCLK Edge Hold Time |
| t_{11} | 0 | ns min | \overline{CS} Rising Edge to SCLK Edge Hold Time |

¹ Sample tested during initial release to ensure compliance. All input signals are specified with $t_R = t_F = 5\text{ ns}$ (10% to 90% of V_{DD}) and timed from a voltage level of 1.6 V.

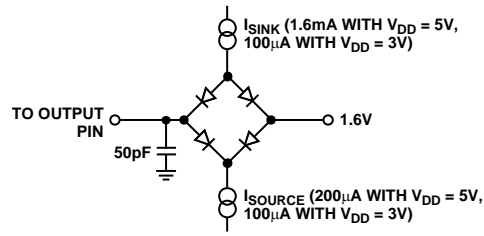
² See Figure 3 and Figure 4.

³ These numbers are measured with the load circuit of Figure 2 and defined as the time required for the output to cross the V_{OL} or V_{OH} limits.

⁴ SCLK active edge is falling edge of SCLK.

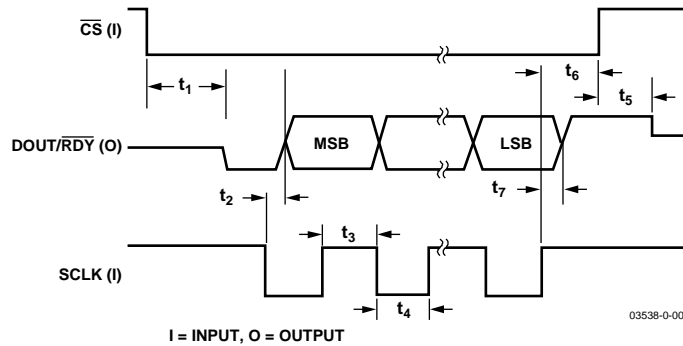
⁵ These numbers are derived from the measured time taken by the data output to change 0.5 V when loaded with the circuit of Figure 2. The measured number is then extrapolated back to remove the effects of charging or discharging the 50 pF capacitor. This means that the times quoted in the timing characteristics are the true bus relinquish times of the part and, as such, are independent of external bus loading capacitances.

⁶ \overline{RDY} returns high after a read of the ADC. In single conversion mode and continuous conversion mode, the same data can be read again, if required, while \overline{RDY} is high, although care should be taken to ensure that subsequent reads do not occur close to the next output update. In continuous read mode, the digital word can be read only once.



03538-0-002

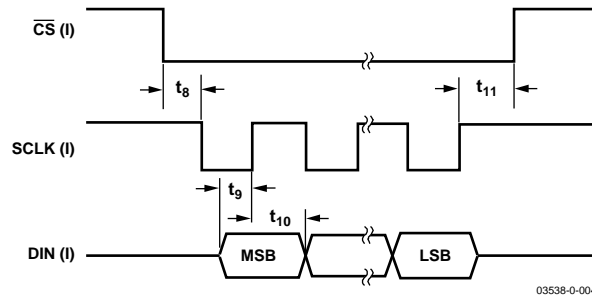
Figure 2. Load Circuit for Timing Characterization



03538-0-003

I = INPUT, O = OUTPUT

Figure 3. Read Cycle Timing Diagram



03538-0-004

I = INPUT, O = OUTPUT

Figure 4. Write Cycle Timing Diagram

ABSOLUTE MAXIMUM RATINGS

Table 3. ($T_A = 25^\circ\text{C}$, unless otherwise noted.)

| Parameter | Rating |
|--------------------------------------|---|
| V_{DD} to GND | -0.3 V to +7 V |
| Analog Input Voltage to GND | -0.3 V to $V_{DD} + 0.3$ V |
| Reference Input Voltage to GND | -0.3 V to $V_{DD} + 0.3$ V |
| Total AIN/REFIN Current (Indefinite) | 30 mA |
| Digital Input Voltage to GND | -0.3 V to $V_{DD} + 0.3$ V |
| Digital Output Voltage to GND | -0.3 V to $V_{DD} + 0.3$ V |
| Operating Temperature Range | -40°C to $+105^\circ\text{C}$ |
| Storage Temperature Range | -65°C to $+150^\circ\text{C}$ |
| Maximum Junction Temperature | 150°C |
| MSOP | |
| θ_{JA} Thermal Impedance | $206^\circ\text{C}/\text{W}$ |
| θ_{JC} Thermal Impedance | $44^\circ\text{C}/\text{W}$ |
| Lead Temperature, Soldering (10 sec) | 300°C |
| IR Reflow, Peak Temperature | 220°C |

Stresses above those listed under Absolute Maximum Ratings may cause permanent damage to the device. This is a stress rating only; functional operation of the device at these or any other conditions above those listed in the operational sections of this specification is not implied. Exposure to absolute maximum rating conditions for extended periods may affect device reliability.

ESD CAUTION



ESD (electrostatic discharge) sensitive device. Charged devices and circuit boards can discharge without detection. Although this product features patented or proprietary protection circuitry, damage may occur on devices subjected to high energy ESD. Therefore, proper ESD precautions should be taken to avoid performance degradation or loss of functionality.

PIN CONFIGURATION AND FUNCTION DESCRIPTIONS

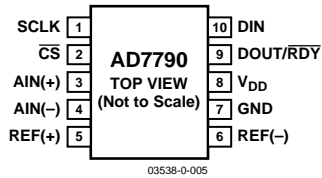


Figure 5. Pin Configuration

Table 4. Pin Function Descriptions

| Pin No. | Mnemonic | Function |
|---------|-----------------|---|
| 1 | SCLK | Serial Clock Input for Data Transfers to and from the ADC. The SCLK has a Schmitt-triggered input, making the interface suitable for opto-isolated applications. The serial clock can be continuous with all data transmitted in a continuous train of pulses. Alternatively, it can be a noncontinuous clock with the information being transmitted to or from the ADC in smaller batches of data. |
| 2 | \overline{CS} | Chip Select Input. This is an active low logic input used to select the ADC. \overline{CS} can be used to select the ADC in systems with more than one device on the serial bus or as a frame synchronization signal in communicating with the device. \overline{CS} can be hardwired low, allowing the ADC to operate in 3-wire mode with SCLK, DIN, and DOUT used to interface with the device. |
| 3 | AIN(+) | Analog Input. AIN(+) is the positive terminal of the fully differential analog input. |
| 4 | AIN(-) | Analog Input. AIN(-) is the negative terminal of the fully differential analog input. |
| 5 | REFIN(+) | Positive Reference Input. REFIN(+) can lie anywhere between V_{DD} and $GND + 0.1 V$. The nominal reference voltage (REFIN(+) – REFIN(-)) is 2.5 V, but the part functions with a reference from 0.1 V to V_{DD} . |

| Pin No. | Mnemonic | Function |
|---------|------------------------|--|
| 6 | REFIN(-) | Negative Reference Input. This reference input can lie anywhere between GND and $V_{DD} - 0.1 V$. |
| 7 | GND | Ground Reference Point. |
| 8 | V_{DD} | Supply Voltage, 2.5 V to 5.25 V. |
| 9 | DOUT/ \overline{RDY} | Serial Data Output/Data Ready Output. DOUT/ \overline{RDY} serves a dual purpose. It functions as a serial data output pin to access the output shift register of the ADC. The output shift register can contain data from any of the on-chip data or control registers. In addition, DOUT/ \overline{RDY} operates as a data ready pin, going low to indicate the completion of a conversion. If the data is not read after the conversion, the pin will go high before the next update occurs. The DOUT/ \overline{RDY} falling edge can be used as an interrupt to a processor, indicating that valid data is available. With an external serial clock, the data can be read using the DOUT/ \overline{RDY} pin. With \overline{CS} low, the data/control word information is placed on the DOUT/ \overline{RDY} pin on the SCLK falling edge and is valid on the SCLK rising edge. The end of a conversion is also indicated by the \overline{RDY} bit in the status register. When \overline{CS} is high, the DOUT/ \overline{RDY} pin is three-stated but the \overline{RDY} bit remains active. |
| 10 | DIN | Serial Data Input to the Input Shift Register on the ADC. Data in this shift register is transferred to the control registers within the ADC, the register selection bits of the communications register identifying the appropriate register. |

TYPICAL PERFORMANCE CHARACTERISTICS

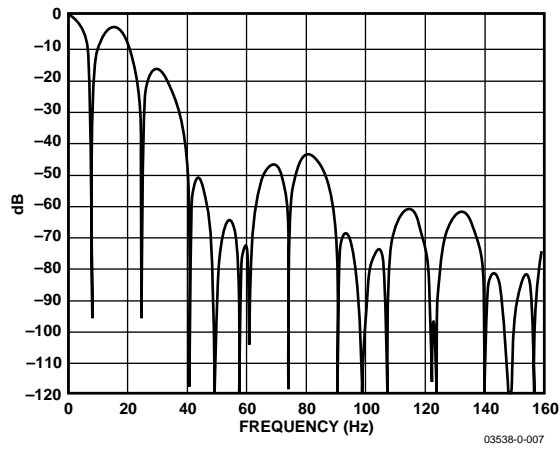


Figure 6. Frequency Response for a 16.6 Hz Update Rate

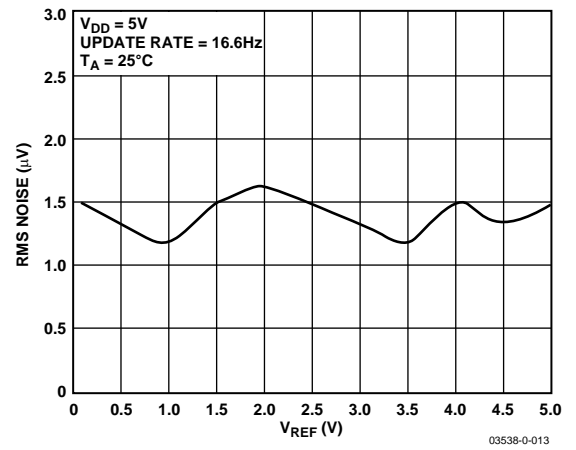


Figure 7. RMS Noise vs. Reference Voltage

ON-CHIP REGISTERS

The ADC is controlled and configured via a number of on-chip registers, which are described on the following pages. In the following descriptions, *set* implies a Logic 1 state and *cleared* implies a Logic 0 state, unless otherwise stated.

COMMUNICATIONS REGISTER (RS1, RS0 = 0, 0)

The communications register is an 8-bit write-only register. All communications to the part must start with a write operation to the communications register. The data written to the communications register determines whether the next operation is a read or write operation, and to which register this operation takes place. For read or write operations, once the subsequent read or write operation to the selected register is complete, the interface returns to where it expects a write operation to the communications register. This is the default state of the interface and, on power-up or after a reset, the ADC is in this default state waiting for a write operation to the communications register. In situations where the interface sequence is lost, a write operation of at least 32 serial clock cycles with DIN high returns the ADC to this default state by resetting the entire part. Table 5 outlines the bit designations for the communications register. CR0 through CR7 indicate the bit location, CR denoting the bits are in the communications register. CR7 denotes the first bit of the data stream. The number in brackets indicates the power-on/reset default status of that bit.

| CR7 | CR6 | CR5 | CR4 | CR3 | CR2 | CR1 | CR0 |
|--------|------|--------|--------|--------|----------|--------|--------|
| WEN(0) | 0(0) | RS1(0) | RS0(0) | R/W(0) | CREAD(0) | CH1(0) | CH0(0) |

Table 5. Communications Register Bit Designations

| Bit Location | Bit Name | Description |
|--------------|----------|--|
| CR7 | WEN | Write Enable Bit. A 0 must be written to this bit so that the write to the communications register actually occurs. If a 1 is the first bit written, the part will not clock on to subsequent bits in the register. It will stay at this bit location until a 0 is written to this bit. Once a 0 is written to the WEN bit, the next seven bits will be loaded to the communications register. |
| CR6 | 0 | This bit must be programmed to Logic 0 for correct operation. |
| CR5–CR4 | RS1–RS0 | Register Address Bits. These address bits are used to select which of the ADC's registers are being selected during this serial interface communication. See Table 6. |
| CR3 | R/W | A 0 in this bit location indicates that the next operation will be a write to a specified register. A 1 in this position indicates that the next operation will be a read from the designated register. |
| CR2 | CREAD | Continuous Read of the Data Register. When this bit is set to 1 (and the data register is selected), the serial interface is configured so that the data register can be continuously read, i.e., the contents of the data register are placed on the DOUT pin automatically when the SCLK pulses are applied. The communications register does not have to be written to for data reads. To enable continuous read mode, the instruction 001111XX must be written to the communications register. To exit the continuous read mode, the instruction 001110XX must be written to the communications register while the RDY pin is low. While in continuous read mode, the ADC monitors activity on the DIN line so that it can receive the instruction to exit continuous read mode. Additionally, a reset will occur if 32 consecutive 1s are seen on DIN. Therefore, DIN should be held low in continuous read mode until an instruction is to be written to the device. |
| CR1–CR0 | CH1–CH0 | These bits are used to select the analog input channel. The differential channel can be selected (AIN(+)/AIN(–)) or an internal short (AIN(–)/AIN(–)) can be selected. Alternatively, the power supply can be selected, i.e., the ADC can measure the voltage on the power supply, which is useful for monitoring power supply variation. The power supply voltage is divided by 5 and then applied to the modulator for conversion. The ADC uses a $1.17\text{ V} \pm 5\%$ on-chip reference as the reference source for the analog to digital conversion. Any change in channel resets the filter and a new conversion is started. |

Table 6. Register Selection

| RS1 | RS0 | Register | Register Size |
|-----|-----|--|---------------|
| 0 | 0 | Communications Register during a Write Operation | 8-Bit |
| 0 | 0 | Status Register during a Read Operation | 8-Bit |
| 0 | 1 | Mode Register | 8-Bit |
| 1 | 0 | Filter Register | 8-Bit |
| 1 | 1 | Data Register | 16-Bit |

Table 7. Channel Selection

| CH1 | CH0 | Channel |
|-----|-----|-------------------------|
| 0 | 0 | AIN(+) – AIN(–) |
| 0 | 1 | Reserved |
| 1 | 0 | AIN(–) – AIN(–) |
| 1 | 1 | V _{DD} Monitor |

STATUS REGISTER (RS1, RS0 = 0, 0; POWER-ON/RESET = 0x88)

The status register is an 8-bit read-only register. To access the ADC status register, the user must write to the communications register, select the next operation to be a read, and load bits RS1 and RS0 with 0. Table 8 outlines the bit designations for the status register. SR0 through SR7 indicate the bit locations, SR denoting the bits are in the status register. SR7 denotes the first bit of the data stream. The number in brackets indicates the power-on/reset default status of that bit.

| SR7 | SR6 | SR5 | SR4 | SR3 | SR2 | SR1 | SR0 |
|--------|--------|------|------|------|-------|--------|--------|
| RDY(1) | ERR(0) | 0(0) | 0(0) | 1(1) | WL(0) | CH1(0) | CH0(0) |

Table 8. Status Register Bit Designations

| Bit Location | Bit Name | Description |
|--------------|----------|---|
| SR7 | RDY | Ready bit for ADC. <i>Cleared</i> when data is written to the ADC data register. The RDY bit is <i>set</i> automatically after the ADC data register has been read or a period of time before the data register is updated with a new conversion result to indicate to the user not to read the conversion data. It is <i>also set</i> when the part is placed in power-down mode. The end of a conversion is indicated by the DOUT/RDY pin also. This pin can be used as an alternative to the status register for monitoring the ADC for conversion data. |
| SR6 | ERR | ADC Error Bit. This bit is written to at the same time as the RDY bit. <i>Set</i> to indicate that the result written to the ADC data register has been clamped to all 0s or all 1s. Error sources include overrange, under-range. <i>Cleared</i> by a write operation to start a conversion. |
| SR5 | 0 | This bit is automatically <i>cleared</i> . |
| SR4 | 0 | This bit is automatically <i>cleared</i> . |
| SR3 | 1 | This bit is automatically <i>set</i> . |
| SR2 | 0 | This bit is automatically <i>cleared</i> if the device is an AD7790. It can be used to distinguish between the AD7790 and AD7791, in which the bit is <i>set</i> . |
| SR1–SR0 | CH1–CH0 | These bits indicate which channel is being converted by the ADC. |

MODE REGISTER (RS1, RS0 = 0, 1; POWER-ON/RESET = 0x02)

The mode register is an 8-bit register from which data can be read or to which data can be written. This register is used to configure the ADC for range, enable or disable the buffer, or place the device into power-down mode. Table 9 outlines the bit designations for the mode register. MR0 through MR7 indicate the bit locations, MR denoting the bits are in the mode register. MR7 denotes the first bit of the data stream. The number in brackets indicates the power-on/reset default status of that bit. Any write to the setup register resets the modulator and filter and sets the RDY bit.

| MR7 | MR6 | MR5 | MR4 | MR3 | MR2 | MR1 | MR0 |
|--------|--------|-------|-------|-------|------|--------|------|
| MD1(0) | MD0(0) | G1(0) | G0(0) | BO(0) | 0(0) | BUF(1) | 0(0) |

Table 9. Mode Register Bit Designations

| Bit Location | Bit Name | Description |
|--------------|----------|--|
| MR7–MR6 | MD1–MD0 | Mode Select Bits. These bits select between continuous conversion mode, single conversion mode, and standby mode. In continuous conversion mode, the ADC continuously performs conversions and places the result in the data register. RDY goes low when a conversion is complete. The user can read these conversions by placing the device in continuous read mode whereby the conversions are automatically placed on the DOUT line when SCLK pulses are applied. Alternatively, the user can instruct the ADC to output the conversion by writing to the communications register. After power-on, the first conversion is available after a period $2/f_{ADC}$ while subsequent conversions are available at a frequency of f_{ADC} . In single conversion mode, the ADC is placed in power-down mode when conversions are not being performed. When single conversion mode is selected, the ADC powers up and performs a single conversion, which occurs after a period $2/f_{ADC}$. The conversion result is placed in the data register, RDY goes low, and the ADC returns to power-down mode. The conversion remains in the data register and RDY remains active (low) until the data is read or another conversion is performed. See Table 10. |
| MR5–MR4 | G1–G0 | Range Bits. The AD7790 can be operated with four analog input ranges (see Table 11). |
| MR3 | BO | Burnout Current Enable Bit. When this bit is set to 1 by the user, the 100 nA current sources in the signal path are enabled. When BO = 0, the burnout currents are disabled. The burnout currents can be enabled only when the buffer is active. |

| Bit Location | Bit Name | Description |
|--------------|----------|--|
| MR2 | 0 | This bit must be programmed with a Logic 0 for correct operation. |
| MR1 | BUF | Configures the ADC for buffered or unbuffered mode of operation. If <i>cleared</i> , the ADC operates in unbuffered mode, lowering the power consumption of the device. If <i>set</i> , the ADC operates in buffered mode, allowing the user to place source impedances on the front end without contributing gain errors to the system. |
| MR0 | 0 | This bit must be programmed with a Logic 0 for correct operation. |

Table 10. Operating Modes

| MD1 | MD0 | Mode |
|-----|-----|--------------------------------------|
| 0 | 0 | Continuous Conversion Mode (Default) |
| 0 | 1 | Reserved |
| 1 | 0 | Single Conversion Mode |
| 1 | 1 | Power-Down Mode |

Table 11. Analog Input Ranges

| G1 | G0 | Range | AD7790 LSB Size with $V_{REF} = +2.5\text{ V}$ (μV) |
|----|----|-----------------|--|
| 0 | 0 | $\pm V_{REF}$ | 76.3 |
| 0 | 1 | $\pm V_{REF}/2$ | 38.14 |
| 1 | 0 | $\pm V_{REF}/4$ | 19.07 |
| 1 | 1 | $\pm V_{REF}/8$ | 9.54 |

FILTER REGISTER (RS1, RS0 = 1, 0; POWER-ON/RESET = 0x04)

The filter register is an 8-bit register from which data can be read or to which data can be written. This register is used to set the output word rate. Table 12 outlines the bit designations for the filter register. FR0 through FR7 indicate the bit locations, FR denoting the bits are in the filter register. FR7 denotes the first bit of the data stream. The number in brackets indicates the power-on/reset default status of that bit.

| FR7 | FR6 | FR5 | FR4 | FR3 | FR2 | FR1 | FR0 |
|------|------|----------|----------|------|--------|--------|--------|
| 0(0) | 0(0) | CDIV1(0) | CDIV0(0) | 0(0) | FS2(1) | FS1(0) | FS0(0) |

Table 12. Filter Register Bit Designatins

| Bit Location | Bit Name | Description |
|--------------------|------------------------|--|
| FR7–FR6 FR5–FR4 | 0 CLKDIV1– CDIV0 | These bits must be programmed with a Logic 0 for correct operation. These bits are used to operate the AD7790 in the lower power modes. The clock is internally divided and the power is reduced. 00 Normal Mode 01 Clock Divided by 2 10 Clock Divided by 4 11 Clock Divided by 8 |
| FR3 FR2–FR0 | 0 FS2–FS0 | This bit must be programmed with a Logic 0 for correct operation. These bits set the output word rate of the ADC. The update rate influences the 50 Hz/60 Hz rejection and noise. The noise is the same for all gain settings. See Table 13 for the allowable update rates in full power mode. In the low power modes, the update rates will be reduced. (See Reduced Current Modes.) |

Table 13. Update Rates

| FS2 | FS1 | FS0 | f_{ADC} (Hz) | f_{3dB} (Hz) | RMS Noise (μV) | Rejection |
|----------|----------|----------|----------------|----------------|-----------------------------|--|
| 0 | 0 | 0 | 120 | 28 | 40 | 25 dB @ 60 Hz |
| 0 | 0 | 1 | 100 | 24 | 25 | 25 dB @ 50 Hz |
| 0 | 1 | 0 | 33.3 | 8 | 3.36 | |
| 0 | 1 | 1 | 20 | 4.7 | 1.6 | 80 dB @ 60 Hz |
| 1 | 0 | 0 | 16.6 | 4 | 1.5 | 65 dB @ 50 Hz/60 Hz (Default Setting) |
| 1 | 0 | 1 | 16.7 | 4 | 1.5 | 80 dB @ 50 Hz |
| 1 | 1 | 0 | 13.3 | 3.2 | 1.2 | |
| 1 | 1 | 1 | 9.5 | 2.3 | 1.1 | 62 dB @ 50/60 Hz |

DATA REGISTER (RS1, RS0 = 1, 1; POWER-ON/RESET = 0x0000)

The conversion result from the ADC is stored in this data register. This is a read-only register. On completion of a read operation from this register, the $\overline{\text{RDY}}$ bit/pin is set.

ADC CIRCUIT INFORMATION

OVERVIEW

The AD7790 is a low power ADC that incorporates a Σ - Δ modulator, a buffer, a PGA, and on-chip digital filtering intended for the measurement of wide dynamic range, low frequency signals such as those in pressure transducers, weigh scales, and temperature measurement applications.

The part has one differential input that can be buffered or unbuffered. Buffering the input channel means that the part can accommodate significant source impedances on the analog input and that R, C filtering (for noise rejection or RFI reduction) can be placed on the analog input, if required. The device requires an external reference of 2.5 nominal. Figure 7 shows the basic connections required to operate the part.

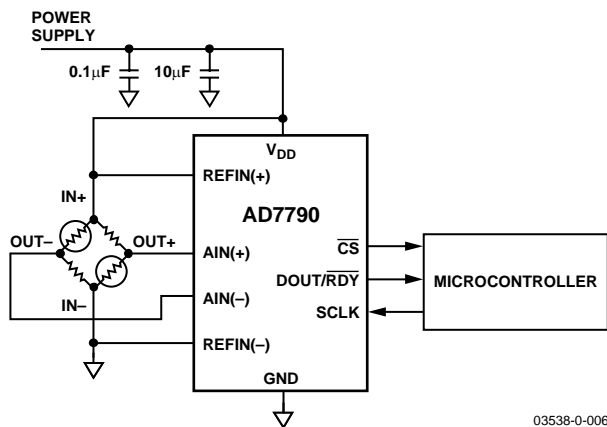


Figure 7. Basic Connection Diagram

The output rate of the AD7790 (f_{ADC}) is user programmable with the settling time equal to $2 \times t_{ADC}$. Normal mode rejection is the major function of the digital filter. Table 13 lists the available output rates from the AD7790. Simultaneous 50 Hz and 60 Hz rejection is optimized when the update rate equals 16.6 Hz as notches are placed at both 50 Hz and 60 Hz with this update rate (see Figure 6).

NOISE PERFORMANCE

Table 14 shows the output rms noise, rms resolution, and peak-to-peak resolution (rounded to the nearest 0.5 LSB) for the different update rates and input ranges for the AD7790. The

numbers given are with a reference of 2.5 V. The numbers are typical and generated with a differential input voltage of 0 V. The peak-to-peak resolution figures represent the resolution for which there will be no code flicker within a six-sigma limit. The output noise comes from two sources. The first is the electrical noise in the semiconductor devices (device noise) used in the implementation of the modulator. The second is quantization noise, which is added when the analog input is converted into the digital domain. The device noise is at a low level and is independent of frequency. The quantization noise starts at an even lower level but rises rapidly with increasing frequency to become the dominant noise source.

Table 14. Typical Peak-to-Peak Resolution (Effective Resolution) vs. Update Rate and Input Range

| Update Rate | Input Range | | | |
|-------------|--------------|-------------|------------|-----------|
| | ± 0.3125 | ± 0.625 | ± 1.25 | ± 2.5 |
| 9.5 | 16 (16) | 16 (16) | 16 (16) | 16 (16) |
| 13.3 | 16 (16) | 16 (16) | 16 (16) | 16 (16) |
| 16.7 | 16 (16) | 16 (16) | 16 (16) | 16 (16) |
| 16.6 | 16 (16) | 16 (16) | 16 (16) | 16 (16) |
| 20 | 15.5 (16) | 16 (16) | 16 (16) | 16 (16) |
| 33.3 | 14.5 (16) | 15.5 (16) | 16 (16) | 16 (16) |
| 100 | 11.5 (14) | 12.5 (15) | 13.5 (16) | 14.5 (16) |
| 120 | 11 (13.5) | 12 (14.5) | 13 (15.5) | 14 (16) |

REDUCED CURRENT MODES

The AD7790 has a current consumption of 160 μ A maximum when operated with the buffer enabled and with a 5 V power supply. The power can be reduced further by setting bits CDIV1 and CDIV0 in the filter register appropriately (see Table 15).

By setting these bits, the internal clock is divided by 2, 4, or 8 before being applied to the modulator and filter, resulting in a reduction in the digital current.

When the internal clock is reduced, the update rate will also be reduced. For example, if the filter bits are set to give an update rate of 16.6 Hz when the AD7790 is operated in full clock mode, the update rate will equal 8.3 Hz in divide by 2 mode. In these low power modes, there may be some degradation in the ADC performance.

Table 15. Low Power Mode Selection

| CDIV[1:0] | Clock | Typ Current, Buffered (μ A) | Typ Current, Unbuffered (μ A) | 50 Hz/60 Hz Rejection (dB) |
|-----------|-------|----------------------------------|------------------------------------|----------------------------|
| 00 | 1 | 146 | 75 | 70 |
| 10 | 1/2 | 87 | 45 | 72 |
| 10 | 1/4 | 56 | 30 | 88 |
| 11 | 1/8 | 41 | 25 | 89 |

DIGITAL INTERFACE

As previously outlined, the AD7790's programmable functions are controlled using a set of on-chip registers. Data is written to these registers via the part's serial interface and read access to the on-chip registers is also provided by this interface. All communications with the part must start with a write to the communications register. After power-on or reset, the device expects a write to its communications register. The data written to this register determines whether the next operation is a read operation or a write operation and also determines to which register this read or write operation occurs. Therefore, write access to any of the other registers on the part begins with a write operation to the communications register followed by a write to the selected register. A read operation from any other register (except when continuous read mode is selected) starts with a write to the communications register followed by a read operation from the selected register.

The AD7790's serial interface consists of four signals: \overline{CS} , DIN, SCLK, and DOUT/ \overline{RDY} . The DIN line is used to transfer data into the on-chip registers while DOUT/ \overline{RDY} is used for accessing from the on-chip registers. SCLK is the serial clock input for the device and all data transfers (either on DIN or DOUT/ \overline{RDY}) occur with respect to the SCLK signal. The DOUT/ \overline{RDY} pin operates as a Data Ready signal also, the line going low when a new data-word is available in the output register. It is reset high when a read operation from the data register is complete. It also goes high prior to the updating of the data register to indicate when not to read from the device to ensure that a data read is not attempted while the register is being updated. \overline{CS} is used to select a device. It can be used to decode the AD7790 in systems where several components are connected to the serial bus.

Figure 3 and Figure 4 show timing diagrams for interfacing to the AD7790 with \overline{CS} being used to decode the part. Figure 3 shows the timing for a read operation from the AD7790's output

shift register while Figure 4 shows the timing for a write operation to the input shift register. In all modes except continuous read mode, it is possible to read the same word from the data register several times even though the DOUT/ \overline{RDY} line returns high after the first read operation. However, care must be taken to ensure that the read operations have been completed before the next output update occurs. In continuous read mode, the data register can be read only once.

The serial interface can operate in 3-wire mode by tying \overline{CS} low. In this case, the SCLK, DIN, and DOUT/ \overline{RDY} lines are used to communicate with the AD7790. The end of the conversion can be monitored using the \overline{RDY} bit in the status register. This scheme is suitable for interfacing to microcontrollers. If \overline{CS} is required as a decoding signal, it can be generated from a port pin. For microcontroller interfaces, it is recommended that SCLK idles high between data transfers.

The AD7790 can be operated with \overline{CS} being used as a frame synchronization signal. This scheme is useful for DSP interfaces. In this case, the first bit (MSB) is effectively clocked out by \overline{CS} since \overline{CS} would normally occur after the falling edge of SCLK in DSPs. The SCLK can continue to run between data transfers, provided the timing numbers are obeyed.

The serial interface can be reset by writing a series of 1s on the DIN input. If a Logic 1 is written to the AD7790 line for at least 32 serial clock cycles, the serial interface is reset. This ensures that in 3-wire systems, the interface can be reset to a known state if the interface gets lost due to a software error or some glitch in the system. Reset returns the interface to the state in which it is expecting a write to the communications register. This operation resets the contents of all registers to their power-on values.

The AD7790 can be configured to continuously convert or to perform a single conversion. See Figure 8 through Figure 10.

Single Conversion Mode

In single conversion mode, the AD7790 is placed in shutdown mode between conversions. When a single conversion is initiated by setting MD1 to 1 and MD0 to 0 in the mode register, the AD7790 powers up, performs a single conversion, and then returns to shutdown mode. A conversion will require a time period of $2 \times t_{ADC}$. DOUT/RDY goes low to indicate the completion of a conversion. When the data-word has been read from the data register, DOUT/RDY will go high. If CS is low, DOUT/RDY will remain high until another conversion is initiated and completed. The data register can be read several times, if required, even when DOUT/RDY has gone high.

Continuous Conversion Mode

This is the default power-up mode. The AD7790 will continuously convert, the RDY pin in the status register going low each time a conversion is complete. If CS is low, the DOUT/RDY line will also go low when a conversion is complete. To read a conversion, the user can write to the communications register, indicating that the next operation is a read of the data register. The digital conversion will be placed on the DOUT/RDY pin as soon as SCLK pulses are applied to the ADC. DOUT/RDY will return high when the conversion is read. The user can read this register additional times, if required. However, the user must ensure that the data register is not being accessed at the completion of the next conversion or else the new conversion word will be lost.

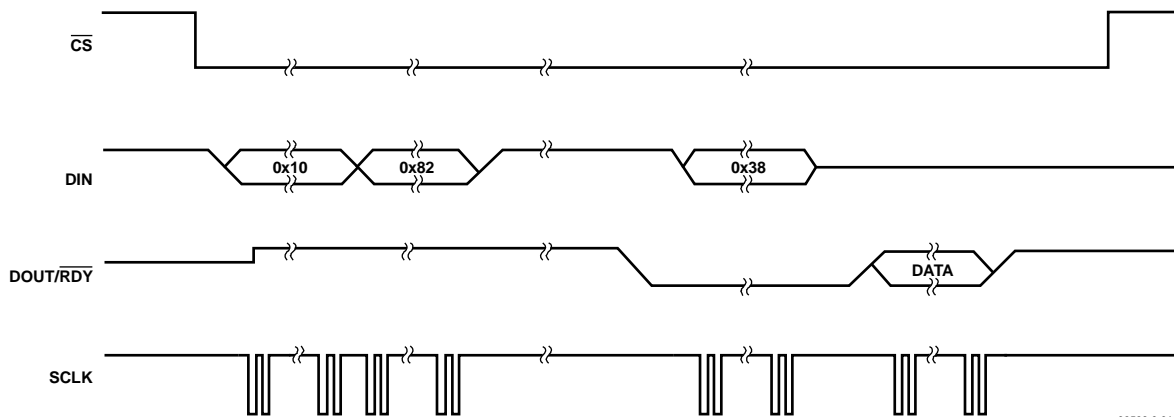


Figure 8. Single Conversion

03538-0-011

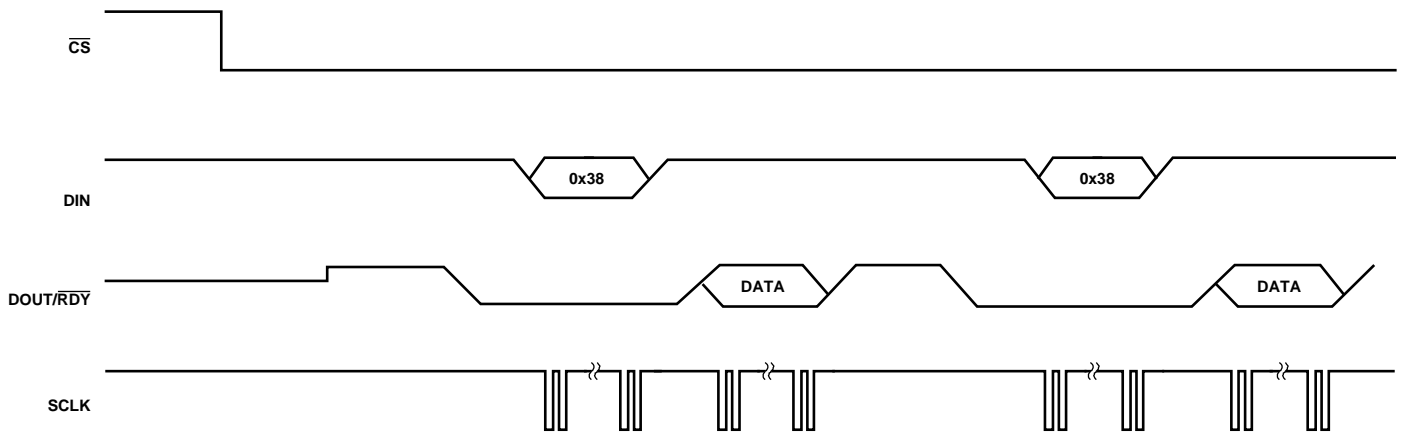


Figure 9. Continuous Conversion

03538-0-012

Continuous Read Mode

Rather than write to the communications register each time a conversion is complete to access the data, the AD7790 can be placed in continuous read mode. By writing 001111XX to the communications register, the user only needs to apply the appropriate number of SCLK cycles to the ADC and the 16-bit word will automatically be placed on the DOUT/RDY line when a conversion is complete.

When DOUT/RDY goes low to indicate the end of a conversion, sufficient SCLK cycles must be applied to the ADC and the data conversion will be placed on the DOUT/RDY line. When the conversion is read, DOUT/RDY will return high until the next conversion is available. In this mode, the data can be read only once. Also, the user must ensure that the data-word is read

before the next conversion is complete. If the user has not read the conversion before the completion of the next conversion or if insufficient serial clocks are applied to the AD7790 to read the word, the serial output register is reset when the next conversion is complete and the new conversion is placed in the output serial register.

To exit the continuous read mode, the instruction 001110XX must be written to the communications register while the RDY pin is low. While in the continuous read mode, the ADC monitors activity on the DIN line so that it can receive the instruction to exit the continuous read mode. Additionally, a reset will occur if 32 consecutive 1s are seen on DIN. Therefore, DIN should be held low in continuous read mode until an instruction is to be written to the device.

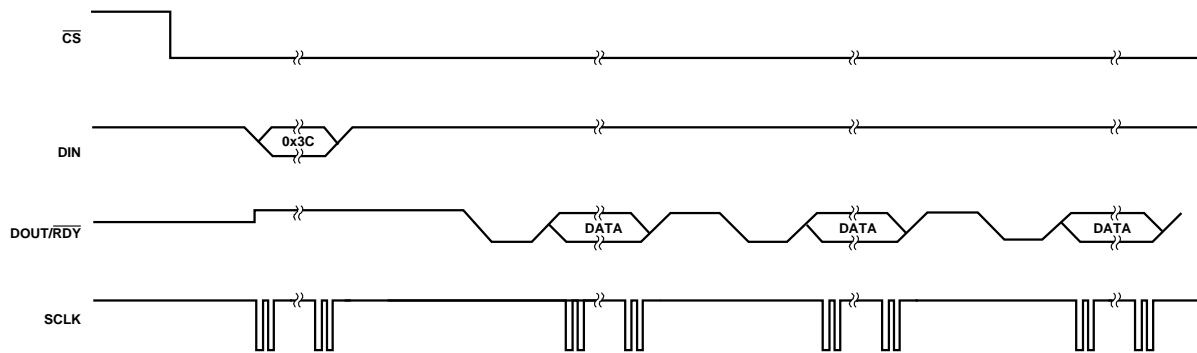


Figure 10. Continuous Read

CIRCUIT DESCRIPTION

ANALOG INPUT CHANNEL

The AD7790 has one differential analog input channel. This is connected to the on-chip buffer amplifier when the device is operated in buffered mode and directly to the modulator when the device is operated in unbuffered mode. In buffered mode (the BUF bit in the mode register is set to 1), the input channel feeds into a high impedance input stage of the buffer amplifier. Therefore, the input can tolerate significant source impedances and is tailored for direct connection to external resistive-type sensors such as strain gauges or resistance temperature detectors (RTDs).

When BUF = 0, the part is operated in unbuffered mode. This results in a higher analog input current. Note that this unbuffered input path provides a dynamic load to the driving source. Therefore, resistor/capacitor combinations on the input pins can cause dc gain errors, depending on the output impedance of the source that is driving the ADC input. Table 16 shows the allowable external resistance/capacitance values for unbuffered mode such that no gain error at the 16-bit level is introduced.

Table 16. External R-C Combination for No 16-Bit Gain Error

| C (pF) | R (Ω) |
|--------|-------|
| 50 | 22.8K |
| 100 | 13.1K |
| 500 | 3.3K |
| 1000 | 1.8K |
| 5000 | 360 |

The absolute input voltage range in buffered mode is restricted to a range between GND + 100 mV and V_{DD} - 100 mV. Care must be taken in setting up the common-mode voltage so that these limits are not exceeded. Otherwise, there will be degradation in linearity and noise performance.

The absolute input voltage in unbuffered mode includes the range between GND - 30 mV and V_{DD} + 30 mV as a result of being unbuffered. The negative absolute input voltage limit does allow the possibility of monitoring small true bipolar signals with respect to GND.

PROGRAMMABLE GAIN AMPLIFIER

The output from the buffer on the ADC is applied to the input of the on-chip programmable gain amplifier (PGA). The PGA gain range is programmed via the gain bits G1 and G0 in the mode register. With an external 2.5 V reference applied, the PGA can be programmed to have a bipolar range of ±2.5 V, ±1.25 V, ±625 mV, or ±312.5 mV. These are the ranges that should appear at the input to the on-chip PGA.

BIPOLAR CONFIGURATION

The analog input to the AD7790 accepts a bipolar input voltage range. A bipolar input range does not imply that the part can tolerate negative voltages with respect to system GND. Bipolar signals on the AIN(+) input are referenced to the voltage on the AIN(-) input. For example, if AIN(-) is 2.5 V and the ADC is configured for a gain of 1, the analog input range on the AIN(+) input is 0 V to 5 V.

DATA OUTPUT CODING

The output code is offset binary with a negative full-scale voltage resulting in a code of 000...000, a zero differential input voltage resulting in a code of 100...000, and a positive full-scale input voltage resulting in a code of 111...111. The output code for any analog input voltage can be represented as

$$\text{Code} = 2^{N-1} \times [(AIN \times GAIN / V_{REF}) + 1]$$

where AIN is the analog input voltage, GAIN is the PGA gain, and N = 16.

REFERENCE INPUT

The AD7790 has a fully differential input capability for the channel. The common-mode range for these differential inputs is from GND to V_{DD}. The reference input is unbuffered and, therefore, excessive R-C source impedances will introduce gain errors. The reference voltage REFIN (REFIN(+) - REFIN(-)) is 2.5 V nominal for specified operation, but the AD7790 is functional with reference voltages from 0.1 V to V_{DD}. In applications where the excitation (voltage or current) for the transducer on the analog input also drives the reference voltage for the part, the effect of the low frequency noise in the excitation source will be removed because the application is ratiometric. If the AD7790 is used in a nonratiometric application, a low noise reference should be used.

Recommended 2.5 V reference voltage sources for the AD7790 include the ADR381 and ADR391 because these are low noise, low power references. If the complete analog section is driven from a 2.5 V power supply, the reference voltage source will require some headroom. In this case, a 2.048 V reference such as the ADR380 is recommended, again low noise, low power references. Also note that the reference inputs provide a high impedance, dynamic load. Because the input impedance of each reference input is dynamic, resistor/capacitor combinations on these inputs can cause dc gain errors, depending on the output impedance of the source that is driving the reference inputs. Reference voltage sources like those recommended above (e.g., ADR391) will typically have low output impedances and are, therefore, tolerant to having decoupling capacitors on

REFIN(+) without introducing gain errors in the system. Deriving the reference input voltage across an external resistor will mean that the reference input sees a significant external source impedance. External decoupling on the REFIN pins would not be recommended in this type of circuit configuration.

V_{DD} MONITOR

Along with converting external voltages, the analog input channel can be used to monitor the voltage on the V_{DD} pin. When the CH1 and CH0 bits in the communications register are set to 1, the voltage on the V_{DD} pin is internally attenuated by 5 and the resultant voltage is applied to the Σ - Δ modulator using an internal 1.17 V reference for analog to digital conversion. This is useful because variations in the power supply voltage can be monitored.

GROUNDING AND LAYOUT

Since the analog inputs and reference inputs of the ADC are differential, most of the voltages in the analog modulator are common-mode voltages. The excellent common-mode rejection of the part will remove common-mode noise on these inputs. The digital filter will provide rejection of broadband noise on the power supply, except at integer multiples of the modulator sampling frequency. The digital filter also removes noise from the analog and reference inputs, provided that these noise sources do not saturate the analog modulator. As a result, the AD7790 is more immune to noise interference than a conventional high resolution converter. However, because the resolution of the AD7790 is so high, and the noise levels from the AD7790 are so low, care must be taken with regard to grounding and layout.

The printed circuit board that houses the AD7790 should be designed such that the analog and digital sections are separated

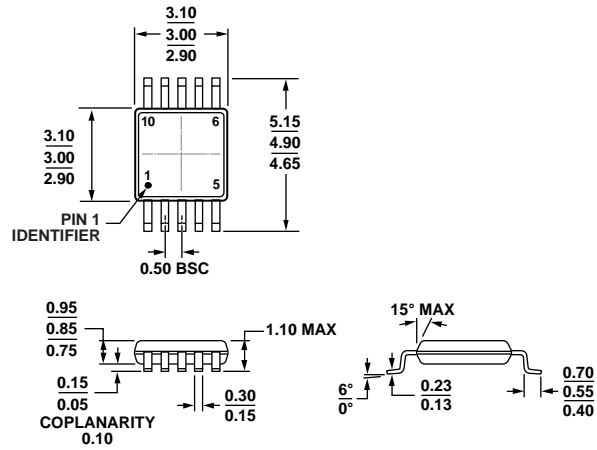
and confined to certain areas of the board. A minimum etch technique is generally best for ground planes because it gives the best shielding.

It is recommended that the AD7790's GND pin be tied to the AGND plane of the system. In any layout, it is important that the user keep in mind the flow of currents in the system, ensuring that the return paths for all currents are as close as possible to the paths the currents took to reach their destinations. Avoid forcing digital currents to flow through the AGND sections of the layout.

The AD7790's ground plane should be allowed to run under the AD7790 to prevent noise coupling. The power supply lines to the AD7790 should use as wide a trace as possible to provide low impedance paths and reduce the effects of glitches on the power supply line. Fast switching signals such as clocks should be shielded with digital ground to avoid radiating noise to other sections of the board, and clock signals should never be run near the analog inputs. Avoid crossover of digital and analog signals. Traces on opposite sides of the board should run at right angles to each other. This will reduce the effects of feed-through through the board. A microstrip technique is by far the best, but it is not always possible with a double-sided board. In this technique, the component side of the board is dedicated to ground planes, while signals are placed on the solder side.

Good decoupling is important when using high resolution ADCs. V_{DD} should be decoupled with 10 μ F tantalum in parallel with 0.1 μ F capacitors to GND. To achieve the best from these decoupling components, they should be placed as close as possible to the device, ideally right up against the device. All logic chips should be decoupled with 0.1 μ F ceramic capacitors to DGND.

OUTLINE DIMENSIONS



COMPLIANT TO JEDEC STANDARDS MO-187-BA
 Figure 11. 10-Lead Mini Small Outline Package [MSOP]
 (RM-10)
 Dimensions shown in millimeters

081705-A

ORDERING GUIDE

| Model ¹ | Temperature Range | Package Description | Package Option | Branding |
|--------------------|-------------------|---|----------------|----------|
| AD7790BRM | -40°C to +105°C | 10-Lead Mini Small Outline Package (MSOP) | RM-10 | COS |
| AD7790BRMZ | -40°C to +105°C | 10-Lead Mini Small Outline Package (MSOP) | RM-10 | COS# |
| AD7790BRM-REEL | -40°C to +105°C | 10-Lead Mini Small Outline Package (MSOP) | RM-10 | COS |
| AD7790BRMZ-REEL | -40°C to +105°C | 10-Lead Mini Small Outline Package (MSOP) | RM-10 | COS# |

¹ Z = RoHS Compliant Part.

NOTES



Компания «ЭлектроПласт» предлагает заключение долгосрочных отношений при поставках импортных электронных компонентов на взаимовыгодных условиях!

Наши преимущества:

- Оперативные поставки широкого спектра электронных компонентов отечественного и импортного производства напрямую от производителей и с крупнейших мировых складов;
- Поставка более 17-ти миллионов наименований электронных компонентов;
- Поставка сложных, дефицитных, либо снятых с производства позиций;
- Оперативные сроки поставки под заказ (от 5 рабочих дней);
- Экспресс доставка в любую точку России;
- Техническая поддержка проекта, помощь в подборе аналогов, поставка прототипов;
- Система менеджмента качества сертифицирована по Международному стандарту ISO 9001;
- Лицензия ФСБ на осуществление работ с использованием сведений, составляющих государственную тайну;
- Поставка специализированных компонентов (Xilinx, Altera, Analog Devices, Intersil, Interpoint, Microsemi, Aeroflex, Peregrine, Syfer, Eurofarad, Texas Instrument, Miteq, Cobham, E2V, MA-COM, Hittite, Mini-Circuits, General Dynamics и др.);

Помимо этого, одним из направлений компании «ЭлектроПласт» является направление «Источники питания». Мы предлагаем Вам помощь Конструкторского отдела:

- Подбор оптимального решения, техническое обоснование при выборе компонента;
- Подбор аналогов;
- Консультации по применению компонента;
- Поставка образцов и прототипов;
- Техническая поддержка проекта;
- Защита от снятия компонента с производства.



Как с нами связаться

Телефон: 8 (812) 309 58 32 (многоканальный)

Факс: 8 (812) 320-02-42

Электронная почта: org@eplast1.ru

Адрес: 198099, г. Санкт-Петербург, ул. Калинина, дом 2, корпус 4, литера А.