

3M™ PIN STRIP HEADER, 951 SERIES  
 2MM AND 2MM X 2MM STRAIGHT, RIGHT ANGLE AND SURFACE MOUNT, SOLDER TAIL

- NOTES
1. REGULATORY INFORMATION:  
 VISIT 3M.com/regs OR CONTACT YOUR 3M REPRESENTATIVE TO FIND THE RoHS COMPLIANCE STATUS OF THE 3M PART YOU ARE INTERESTED IN.
  2. IN THE EVENT OF CONFLICT BETWEEN THIS DATA AND THAT CONTAINED IN THE PRODUCT SPECIFICATION, THE PRODUCT SPECIFICATION TAKES PRECEDENT.
  3. N = THE NUMBER OF POSITIONS.



SINGLE ROW STRAIGHT VERSION



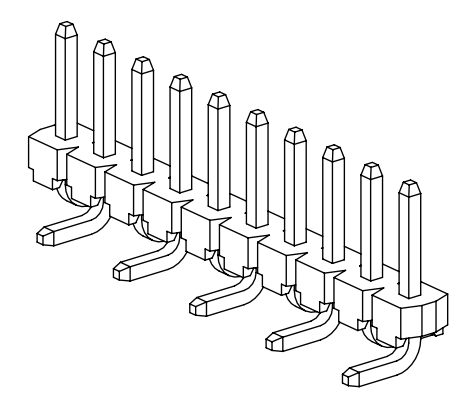
DUAL ROW STRAIGHT VERSION



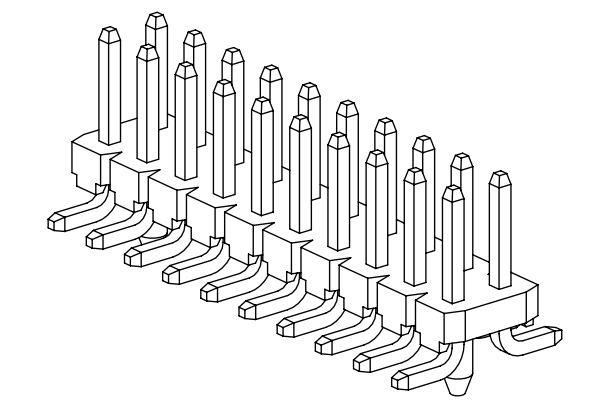
SINGLE ROW RIGHT ANGLE VERSION



DUAL ROW RIGHT ANGLE VERSION



SINGLE ROW SURFACE MOUNT VERSION



DUAL ROW SURFACE MOUNT VERSION

2 PHYSICAL :

INSULATOR: HIGH TEMP THERMOPLASTIC  
 MATERIAL: UL94V-0  
 FLAMMABILITY: BLACK  
 CONTACT: BRASS  
 MATERIAL: BRASS  
 PLATING: 50μ" [1.27μm] NICKEL-OVERALL  
 UNDER PLATING: GOLD FLASH  
 WIPING AREA: 40-118μ" [1-3μm]  
 SOLDER TAILS: ORIENTATION TRIANGLE

2 ELECTRICAL :

CURRENT RATING: 2A  
 CONTACT RESISTANCE: ≤ 20mΩ  
 INSULATION RESISTANCE: ≥ 1000MΩ  
 WITHSTANDING VOLTAGE: 500V<sub>RMS</sub> 1mA, 60s

2 MECHANICAL :

RETENTION FORCE: ≥ 4.5N PER PIN

2 ENVIRONMENTAL :

TEMPERATURE RATING: -55°C TO 125°C  
 HUMIDITY: < 93% AT 40°C  
 RESISTANCE TO SOLDERING HEAT: PBT, 245°C±5°C, 10s

3M ELECTRONICS MATERIALS SOLUTIONS DIVISION  
 INTERCONNECT SOLUTIONS  
<http://www.3mconnectors.com>  
 3M IS A TRADEMARK OF 3M COMPANY.  
 FOR TECHNICAL, SALES OR ORDERING  
 INFORMATION CALL 800-225-5373

**UL** us  
 UL FILE NO: E68080

MM [ INCH ]		
TOLERANCE - UNLESS NOTED		
	X.	.XX
MM	±.5	±.20
[ INCH ]	±.02	±.008
[ ] = DIM. FOR REFERENCE ONLY		

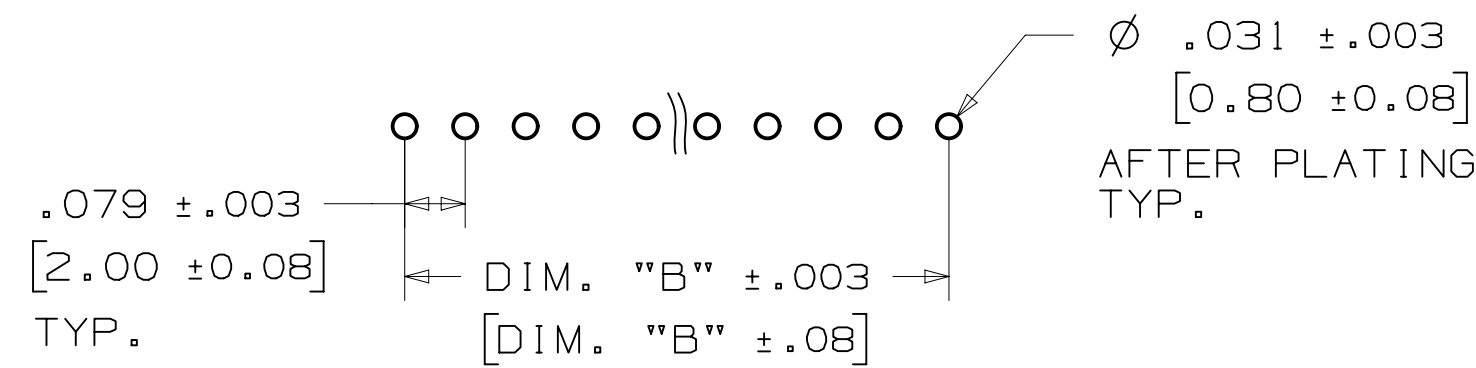
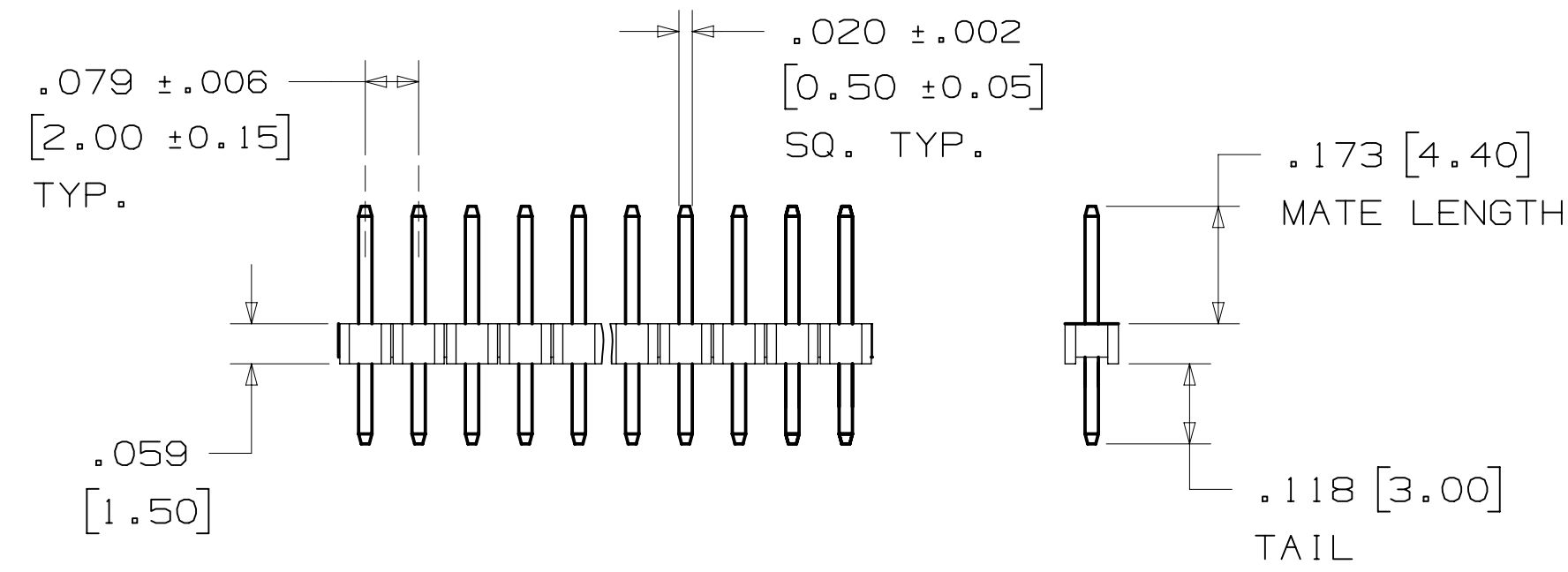
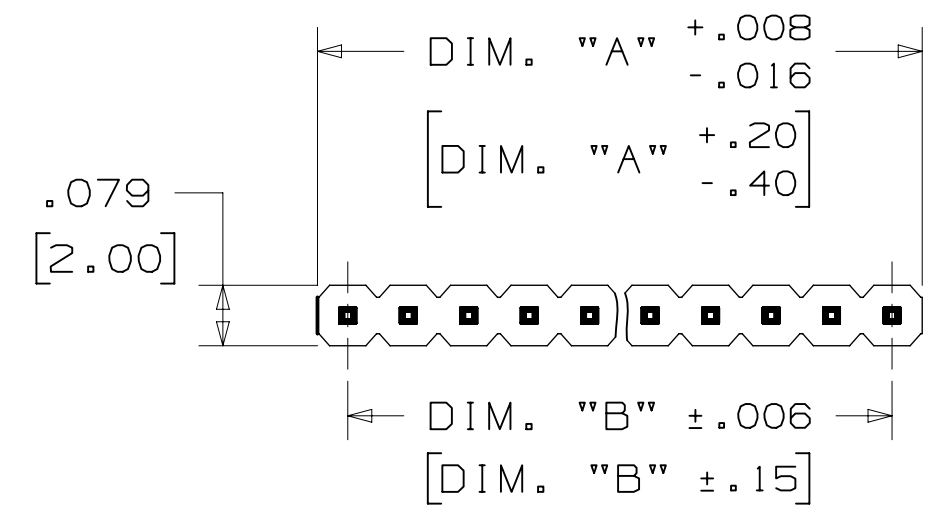
DIMENSIONS: INCH [ MM ]  
 [ MM ] FOR REF. ONLY

DESIGN REFERENCE	NEXT ASSEMBLY	REV	ECO	ISSUE DATE AND DESCRIPTION	DRFT	CHKD
APPROVED	DATE	APPROVED	DATE	DATE		
CASTIGLIONE	FEB 23, 2015	T. SUNIGA	FEB 23, 2015	FEB 23, 2015		
DIVISION		DIVISION CODE		MFG		
		EMSD		3M Center St. Paul, MN 55144		
DO NOT SCALE DRAWING	SCALE 4/1	TOLERANCES EXCEPT AS NOTED				
				INCHES .00 ± .000 ± .0000 ± MILLIMETERS 0 ± .00 ± .000 ± .000 ±		
THIRD ANGLE PROJECTION		INTERPRET PER ASME Y14.5 - 2009		MAX SURFACE ROUGHNESS SURFACES MARKED ONLY		
				TITLE PIN STRIP HEADER, 2MM X 2MM, STRAIGHT, SMT & RA, SOLDER TAIL		
CAGE NUMBER		SIZE	DRAWING NO.	REV.		
D			78-5100-2653-3	B		
MODEL		951XXX		DET. [ ] YES [X] NO [ ] SHT 1 OF 5		

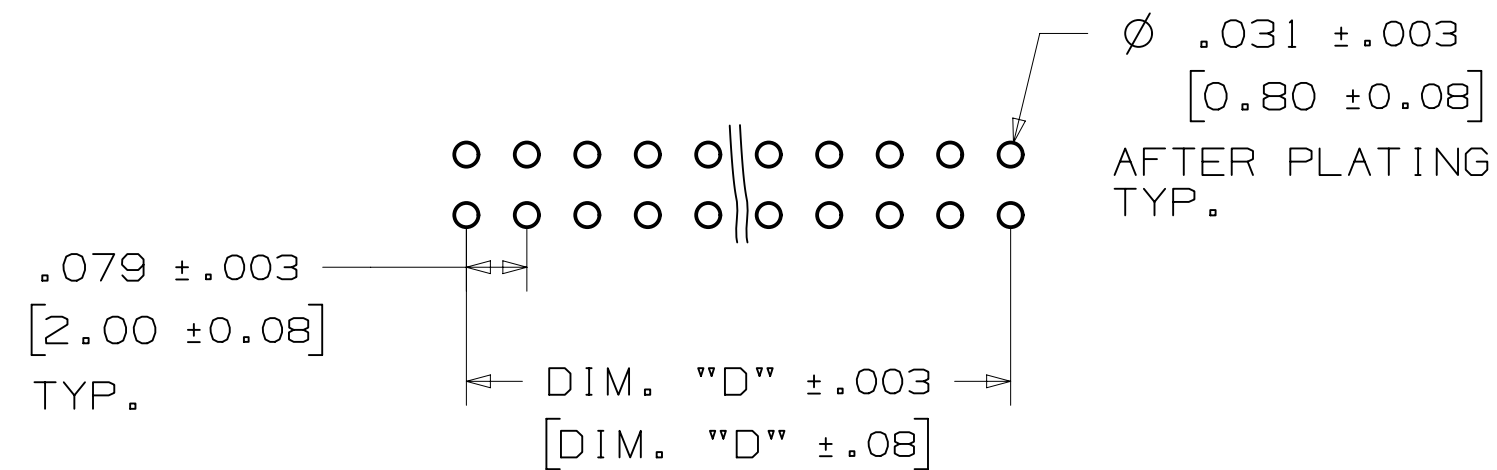
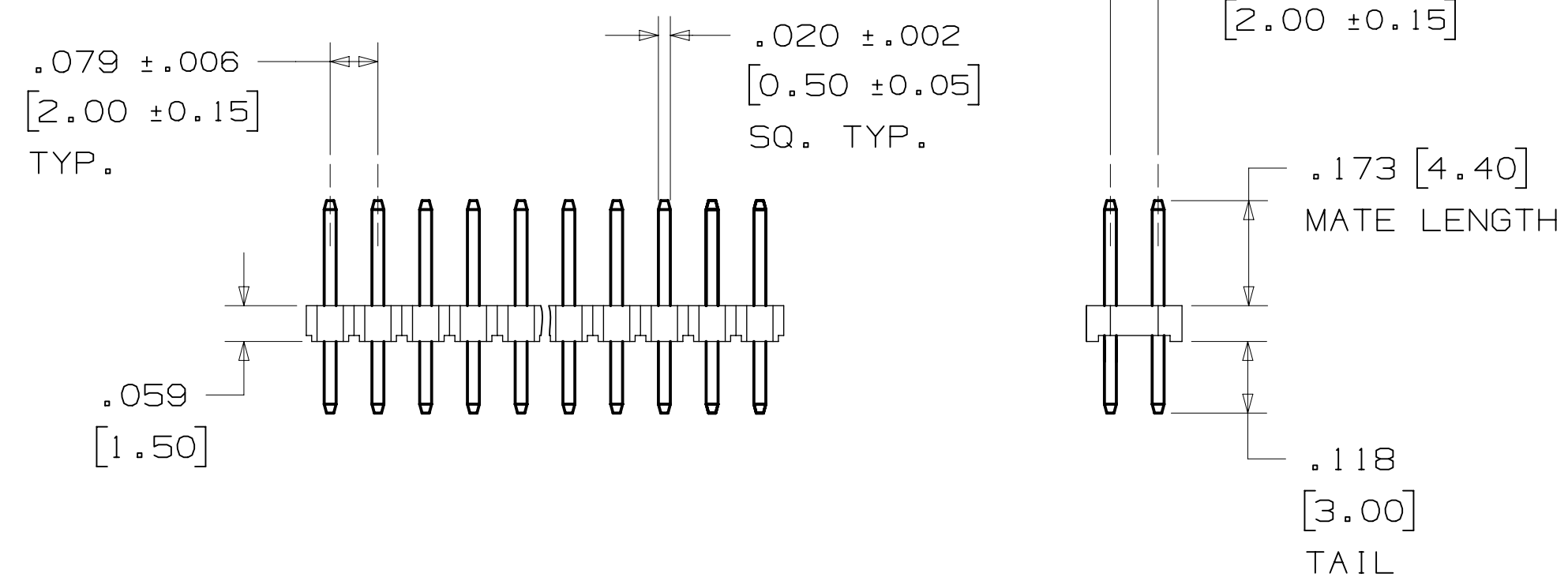
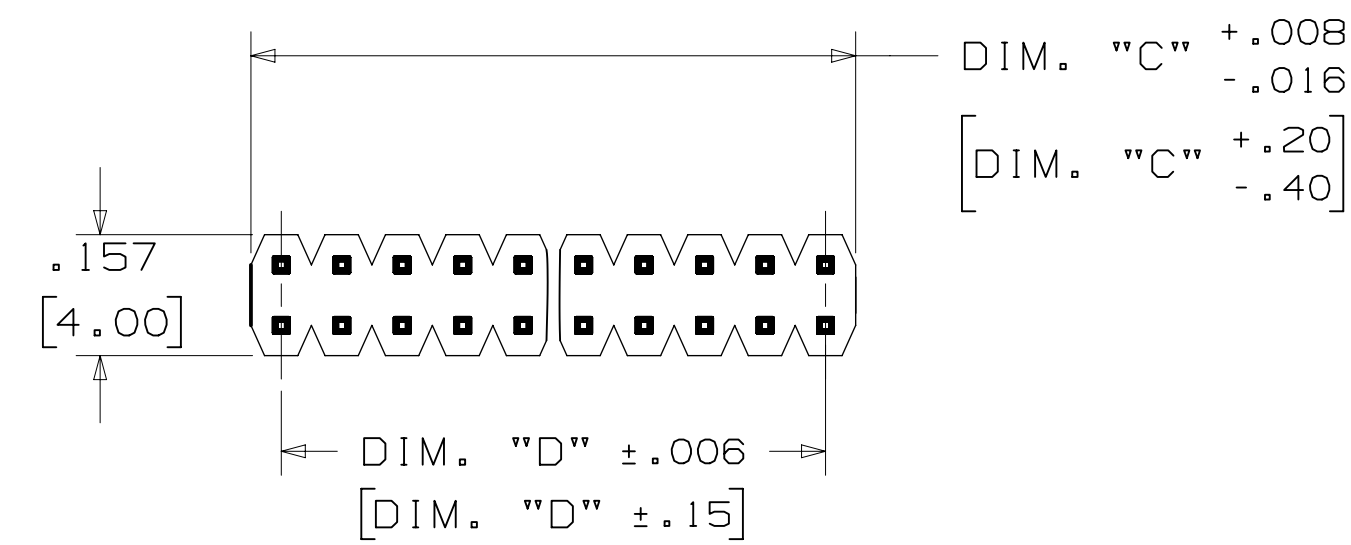
B	76546	NOV 08, 2017	JNC	SC
		REVISE SHT 4		
A	72044	MAR 06, 2017	JNC	TS
		REVISE ELECTRICAL NOTES		
		3-2-17 REMOVED 2 CONNECTORS		
		PRODUCTION RELEASE		

78-5100-2653-3  
 DRAWING NUMBER  
 B  
 REV. 1  
 11/27/2017  
 JUTC  
 B  
 09r-set  
 Standard Time

3M™ PIN STRIP HEADER, 951 SERIES  
 2MM AND 2MM X 2MM STRAIGHT, RIGHT ANGLE AND SURFACE MOUNT, SOLDER TAIL



RECOMMENDED PC BOARD LAYOUT  
 (VIEWED FROM CONNECTOR SIDE)



RECOMMENDED PC BOARD LAYOUT  
 (VIEWED FROM CONNECTOR SIDE)

ORDERING INFORMATION  
 STRAIGHT VERSION

951XXX-8622-AR

No. OF ROWS: 1 = 1 ROW  
 2 = 2 ROW  
 CONTACT QTY. 40 PINS = 1 ROW  
 80 PINS = 2 ROW

TABLE 1	
DIM. "A"	.079 [2.00] X N
DIM. "B"	.079 [2.00] X (N-1)
DIM. "C"	.079 [2.00] X (N/2)
DIM. "D"	.079 [2.00] X (N/2-1)
SEE NOTE 3	

DESIGN REFERENCE	NEXT ASSEMBLY	REV	ECO	ISSUE DATE AND DESCRIPTION	DRFT	CHKD
APPROVED	DATE	DATE	DATE	DATE	DATE	DATE
CASTIGLIONE	FEB 23, 2015	MFG				
		T. SUNIGA	FEB 23, 2015			
DIVISION		DIVISION CODE		EMSD		
DO NOT SCALE DRAWING	SCALE 4/1	TOLERANCES EXCEPT AS NOTED		© 3M COPYRIGHT 2017 This document and the information it contains are 3M property and may not be reproduced or further distributed without 3M permission, or used or disclosed other than for 3M authorized purposes. All rights reserved.		
THIRD ANGLE PROJECTION	INTERPRET PER ASME Y14.5 - 2009	INCHES		MILLIMETERS		
		.00		.00		
		.000		.000		
		.0000		.0000		
		0		0		
		.00		.00		
		.000		.000		
		.000		.000		
		ANGLES		ANGLES		
		MARKED ONLY		MARKED ONLY		
CAGE NUMBER		SIZE	DRAWING NO.	REV.		
D			78-5100-2653-3	B		
MODEL		951XXX		DET		
				SHT 2 OF 5		

78-5100-2653-3  
 DRAWING NUMBER  
 B  
 REVISION  
 11/27/2017 UTC  
 Drf-set





3M™ PIN STRIP HEADER, 951 SERIES  
 2MM AND 2MM X 2MM STRAIGHT, RIGHT ANGLE AND SURFACE MOUNT, SOLDER TAIL

**Regulatory:** For regulatory information about this product, visit [3M.com/regs](http://3M.com/regs) or contact your 3M representative.

**Technical Information:** The technical information, recommendations and other statements contained in this document are based upon tests or experience that 3M believes are reliable, but the accuracy or completeness of such information is not guaranteed.

**Product Use:** Many factors beyond 3M's control and uniquely within user's control can affect the use and performance of a 3M product in a particular application. Given the variety of factors that can affect the use and performance of a 3M product, user is solely responsible for evaluating the 3M product and determining whether it is fit for a particular purpose and suitable for user's method of application.

**Warranty, Limited Remedy, and Disclaimer:** Unless an additional warranty is specifically stated on the applicable 3M product packaging or product literature, 3M warrants that each 3M product meets the applicable 3M product specification at the time 3M ships the product. 3M MAKES NO OTHER WARRANTIES OR CONDITIONS, EXPRESS OR IMPLIED, INCLUDING, BUT NOT LIMITED TO, ANY IMPLIED WARRANTY OR CONDITION OF MERCHANTABILITY OR FITNESS FOR A PARTICULAR PURPOSE OR ANY IMPLIED WARRANTY OR CONDITION ARISING OUT OF A COURSE OF DEALING, CUSTOM OR USAGE OR TRADE. If the 3M product does not conform to this warranty, then the sole and exclusive remedy is, at 3M's option, replacement of the 3M product or refund of the purchase price.

**Limitation of Liability:** Except where prohibited by law, 3M will not be liable for any loss or damage arising from the 3M product, whether direct, indirect, special, incidental or consequential, regardless of the legal theory asserted, including warranty, contract, negligence or strict liability.

3M Electronics Materials Solutions Division  
 6801 River Place Blvd.  
 Austin, TX 78726-9000  
 1-800-225-5373  
[www.3M.com/interconnect](http://www.3M.com/interconnect)

DESIGN REFERENCE	NEXT ASSEMBLY	REV	ECO	ISSUE DATE AND DESCRIPTION	DRFT	CHKD
DO NOT SCALE DRAWING	SCALE 4/1	TOLERANCES EXCEPT AS NOTED		 © 3M COPYRIGHT 2017 This document and the information it contains are 3M property and may not be reproduced or further distributed without 3M permission, or used or disclosed other than for 3M authorized purposes. All rights reserved.		
THIRD ANGLE PROJECTION	INTERPRET PER ASME Y14.5 - 2009	MILLIMETERS		<b>TITLE</b> PIN STRIP HEADER, 2MM X 2MM, STRAIGHT, SMT & RA, SOLDER TAIL		
MAX SURFACE ROUGHNESS	MARKED ONLY	INCHES		<b>CAGE NUMBER</b> D78-5100-2653-3		
		ANGLES		<b>DRAWING NO.</b> 78-5100-2653-3		
				<b>REV.</b> B		
				<b>MODEL</b> 951XXX		
				<b>DEF.</b> <input type="checkbox"/> YES <input checked="" type="checkbox"/> NO		
				<b>SHT</b> 5 OF 5		

78-5100-2653-3  
 DRAWING NUMBER  
 B  
 REVISION  
 01/27/2017  
 Standard Time  
 B.2 Central  
 Drf-set



Компания «ЭлектроПласт» предлагает заключение долгосрочных отношений при поставках импортных электронных компонентов на взаимовыгодных условиях!

Наши преимущества:

- Оперативные поставки широкого спектра электронных компонентов отечественного и импортного производства напрямую от производителей и с крупнейших мировых складов;
- Поставка более 17-ти миллионов наименований электронных компонентов;
- Поставка сложных, дефицитных, либо снятых с производства позиций;
- Оперативные сроки поставки под заказ (от 5 рабочих дней);
- Экспресс доставка в любую точку России;
- Техническая поддержка проекта, помощь в подборе аналогов, поставка прототипов;
- Система менеджмента качества сертифицирована по Международному стандарту ISO 9001;
- Лицензия ФСБ на осуществление работ с использованием сведений, составляющих государственную тайну;
- Поставка специализированных компонентов (Xilinx, Altera, Analog Devices, Intersil, Interpoint, Microsemi, Aeroflex, Peregrine, Syfer, Eurofarad, Texas Instrument, Miteq, Cobham, E2V, MA-COM, Hittite, Mini-Circuits, General Dynamics и др.);

Помимо этого, одним из направлений компании «ЭлектроПласт» является направление «Источники питания». Мы предлагаем Вам помощь Конструкторского отдела:

- Подбор оптимального решения, техническое обоснование при выборе компонента;
- Подбор аналогов;
- Консультации по применению компонента;
- Поставка образцов и прототипов;
- Техническая поддержка проекта;
- Защита от снятия компонента с производства.



#### Как с нами связаться

**Телефон:** 8 (812) 309 58 32 (многоканальный)

**Факс:** 8 (812) 320-02-42

**Электронная почта:** [org@eplast1.ru](mailto:org@eplast1.ru)

**Адрес:** 198099, г. Санкт-Петербург, ул. Калинина, дом 2, корпус 4, литера А.