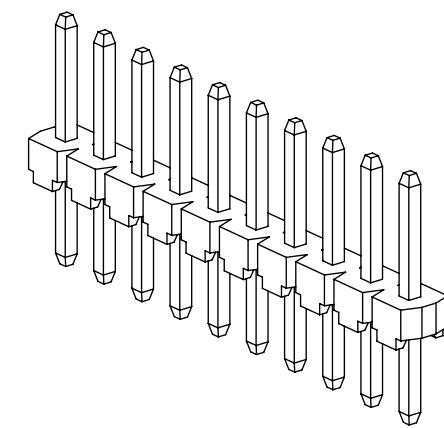
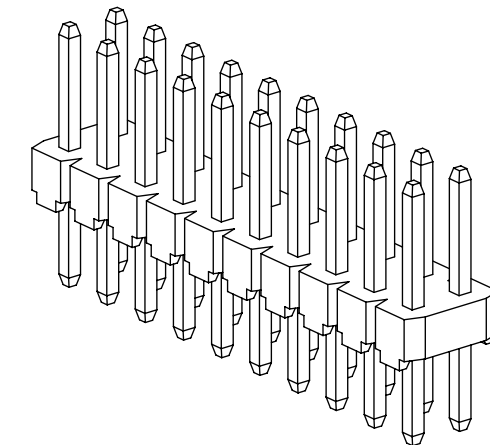


3M™ PIN STRIP HEADER, 951 SERIES  
 2MM AND 2MM X 2MM STRAIGHT, RIGHT ANGLE AND SURFACE MOUNT, SOLDER TAIL

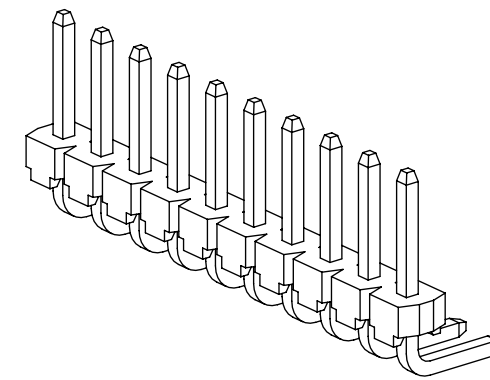
- NOTES
- REGULATORY INFORMATION:  
 VISIT 3M.com/regs OR CONTACT  
 YOUR 3M REPRESENTATIVE TO FIND  
 THE ROHS COMPLIANCE STATUS OF  
 THE 3M PART YOU ARE INTERESTED  
 IN.
  - IN THE EVENT OF CONFLICT  
 BETWEEN THIS DATA AND THAT  
 CONTAINED IN THE PRODUCT  
 SPECIFICATION, THE PRODUCT  
 SPECIFICATION TAKES PRECEDENT.
  - N = THE NUMBER OF POSITIONS.



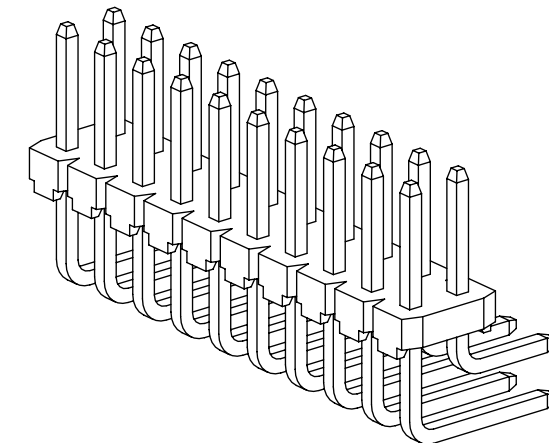
SINGLE ROW  
 STRAIGHT  
 VERSION



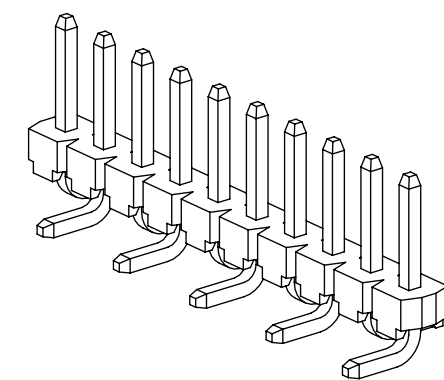
DUAL ROW  
 STRAIGHT  
 VERSION



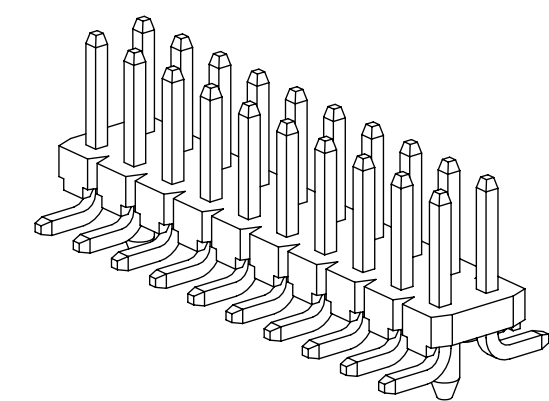
SINGLE ROW  
 RIGHT ANGLE  
 VERSION



DUAL ROW  
 RIGHT ANGLE  
 VERSION



SINGLE ROW  
 SURFACE MOUNT  
 VERSION



DUAL ROW  
 SURFACE MOUNT  
 VERSION

PHYSICAL :

INSULATOR:  
 MATERIAL: HIGH TEMP THERMOPLASTIC  
 FLAMMABILITY: UL94V-0  
 COLOR: BLACK  
 CONTACT:  
 MATERIAL: BRASS  
 PLATING:  
 UNDER PLATING: 50µ" [ 1.27µm ] NICKEL-OVERALL  
 WIPING AREA: GOLD FLASH  
 SOLDER TAILS: 40-118µ" [ 1-3µm ]  
 MARKINGS: ORIENTATION TRIANGLE

ELECTRICAL :

CURRENT RATING: 2A  
 CONTACT RESISTANCE: ≤ 20mΩ  
 INSULATION RESISTANCE: ≥ 1000MΩ  
 WITHSTANDING VOLTAGE: 500V<sub>RMS</sub> 1mA, 60s

MECHANICAL :

RETENTION FORCE: ≥ 4.5N PER PIN

ENVIRONMENTAL :

TEMPERATURE RATING: -55°C TO 125°C  
 HUMIDITY: < 93% AT 40°C  
 RESISTANCE TO SOLDERING HEAT: PBT, 245°C±5°C, 10s

|     |       |   |      |      |
|-----|-------|---|------|------|
| REV | ECO   | ISSUE DATE AND DESCRIPTION  | DRFT | CHKD |
| B   | 76546 | NOV 08,2017<br>REVISE SHT 4   | JNC  | SC   |
| A   | 72044 | MAR 06,2017<br>REVISE ELECTRICAL NOTES<br>3-2-17 REMOVED 2 CONNECTORS<br>PRODUCTION RELEASE | JNC  | TS   |

DIMENSIONS: INCH [ MM ]  
 [ MM ] FOR REF. ONLY

|                        |                                 |                            |             |   |      |      |
|------------------------|---------------------------------|----------------------------|-------------|---|------|------|
| DESIGN REFERENCE       | NEXT ASSEMBLY                   | REV                        | ECO         | ISSUE DATE AND DESCRIPTION  | DRFT | CHKD |
| ACROSS CODES           |                                 | CHKD                       | CASTIGLIONE | FEB 23,2015   | MFG  | DATE |
| DIVISION               | DIVISION CODE                   | CHKD                       | DATE        | APPRV   | DATE | DATE |
| DO NOT SCALE DRAWING   | SCALE 4/1                       | TOLERANCES EXCEPT AS NOTED |             | © 3M COPYRIGHT 2017<br>This document and the information it contains are 3M property and may not be reproduced or further distributed without 3M permission, or used or disclosed other than for 3M authorized purposes. All rights reserved. |      |      |
| THIRD ANGLE PROJECTION | INTERPRET PER ASME Y14.5 - 2009 | TOLERANCES EXCEPT AS NOTED |             | TITLE<br>PIN STRIP HEADER, 2MM X 2MM, STRAIGHT, SMT & RA, SOLDER TAIL   |      |      |
| MAX SURFACE ROUGHNESS  | DT SURFACES                     | TOLERANCES EXCEPT AS NOTED |             | CAGE NUMBER<br>D 78-5100-2653-3   |      |      |
| MARKED ONLY            | ANGLES                          | TOLERANCES EXCEPT AS NOTED |             | DRAWING NO.<br>78-5100-2653-3   |      |      |
|                        |                                 |                            |             | MODEL<br>951XXX   |      |      |

| MM [ INCH ]                   |      |       |
|-------------------------------|------|-------|
| TOLERANCE - UNLESS NOTED      |      |       |
|                               | X.   | .XX   |
| MM                            | ±.5  | ±.20  |
| [ INCH ]                      | ±.02 | ±.008 |
| [ ] = DIM. FOR REFERENCE ONLY |      |       |

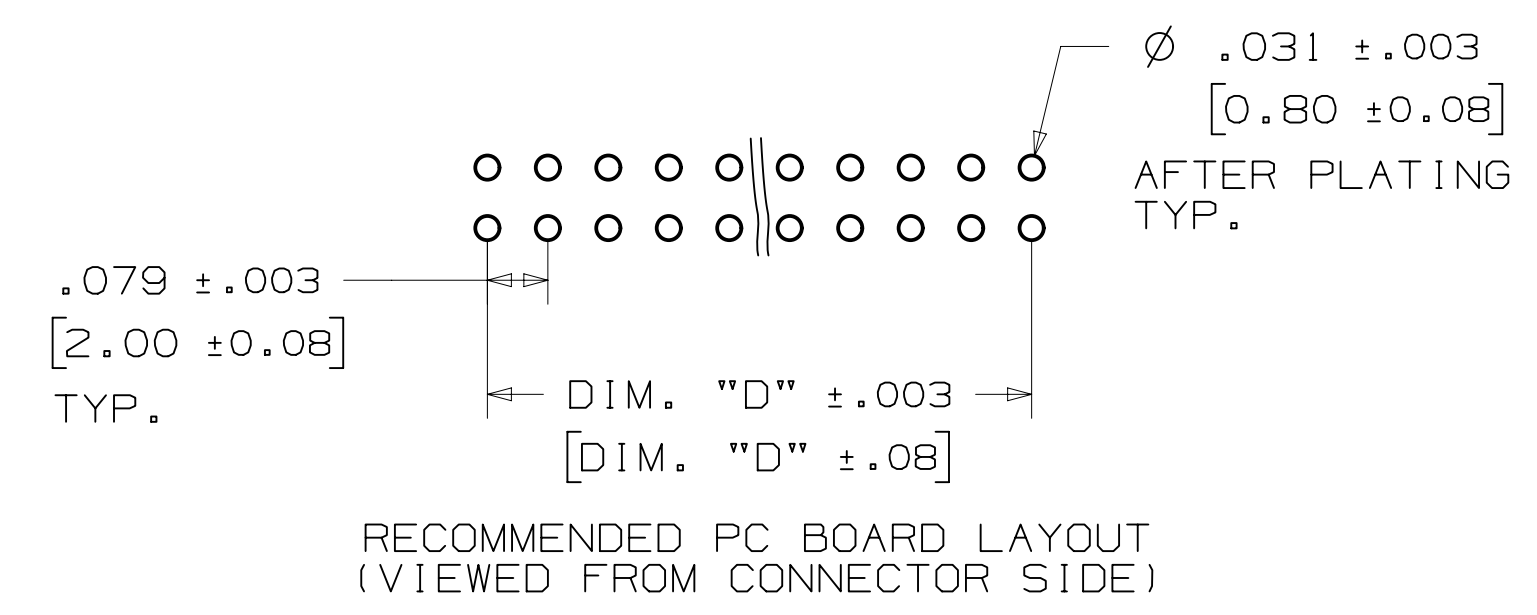
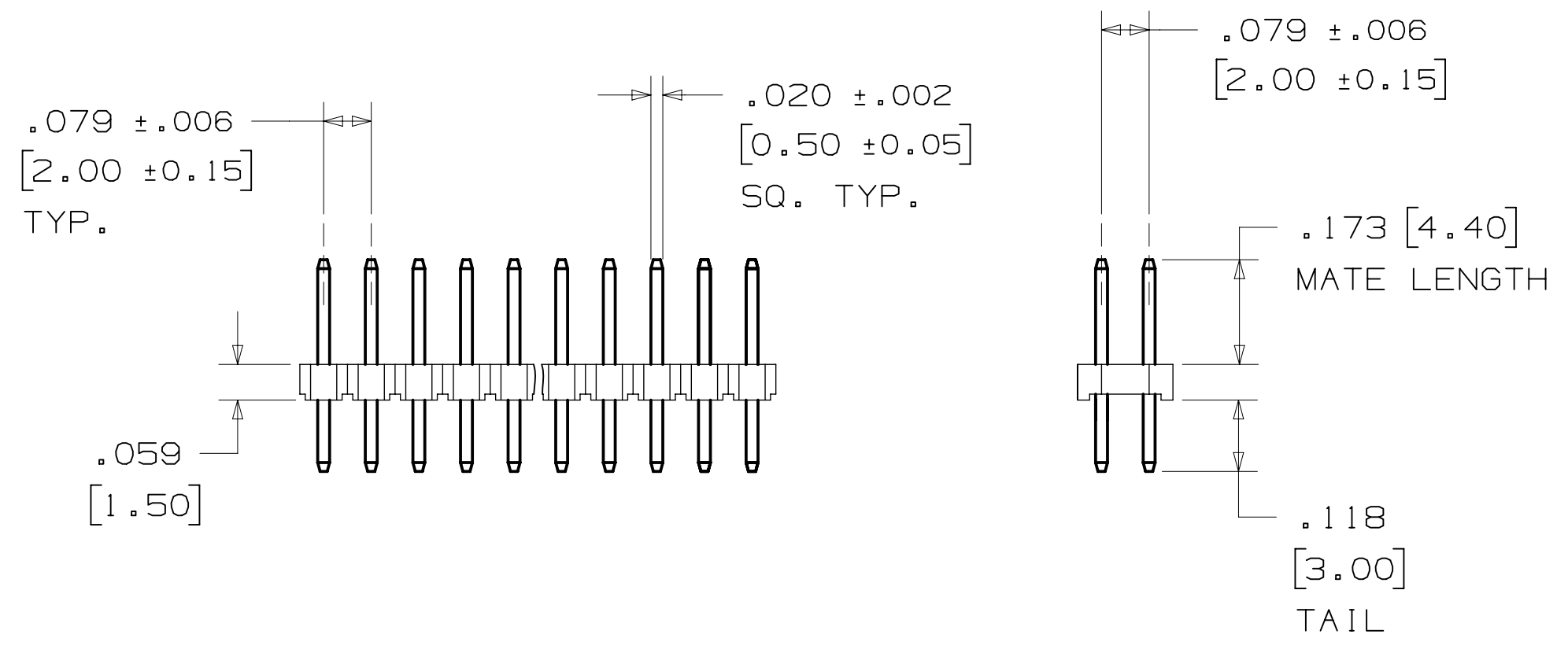
3M ELECTRONICS MATERIALS SOLUTIONS DIVISION  
 INTERCONNECT SOLUTIONS  
<http://www.3mconnectors.com>

3M IS A TRADEMARK OF 3M COMPANY.  
 FOR TECHNICAL, SALES OR ORDERING  
 INFORMATION CALL 800-225-5373

us  
 UL FILE NO: E68080

B REVISION  
 78-5100-2653-3 DRAWING NUMBER  
 B  
 Drr-set  
 A  
 Standard Time 11/27/2017 UTC

3M™ PIN STRIP HEADER, 951 SERIES  
 2MM AND 2MM X 2MM STRAIGHT, RIGHT ANGLE AND SURFACE MOUNT, SOLDER TAIL



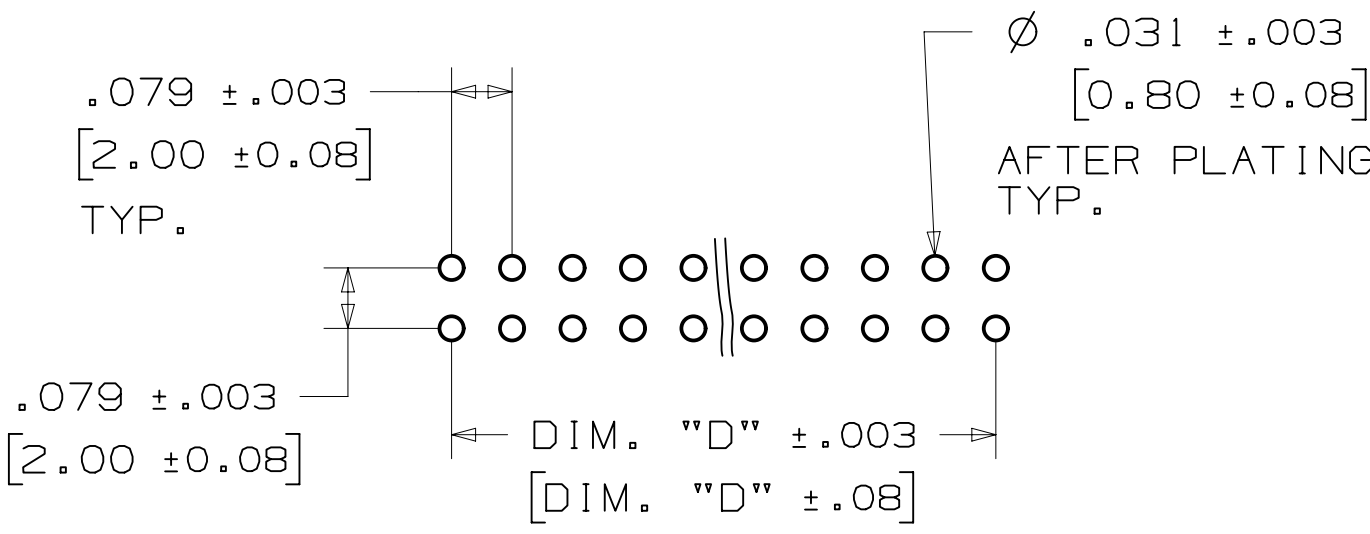
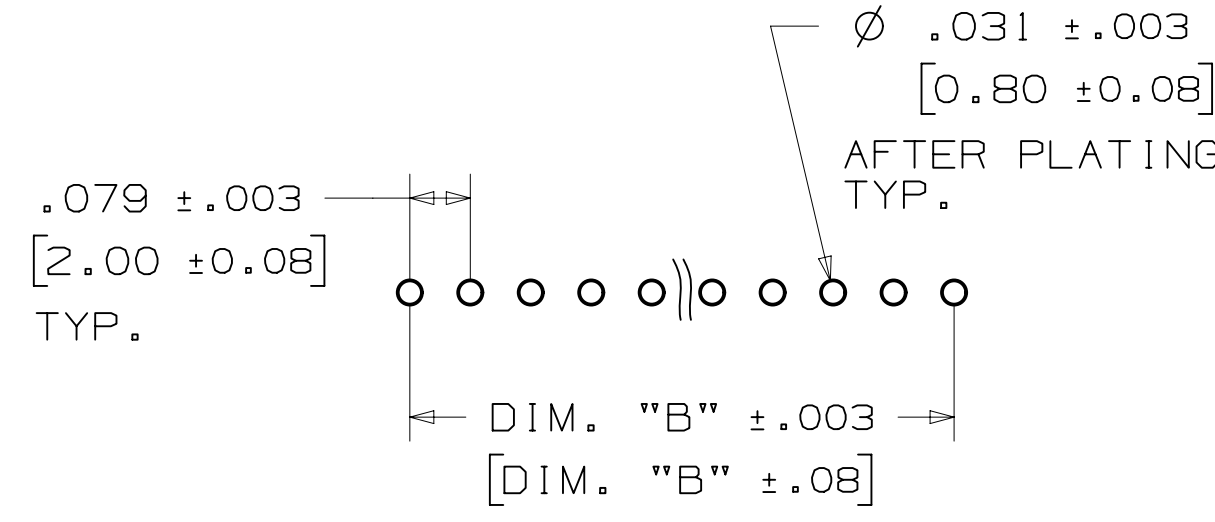
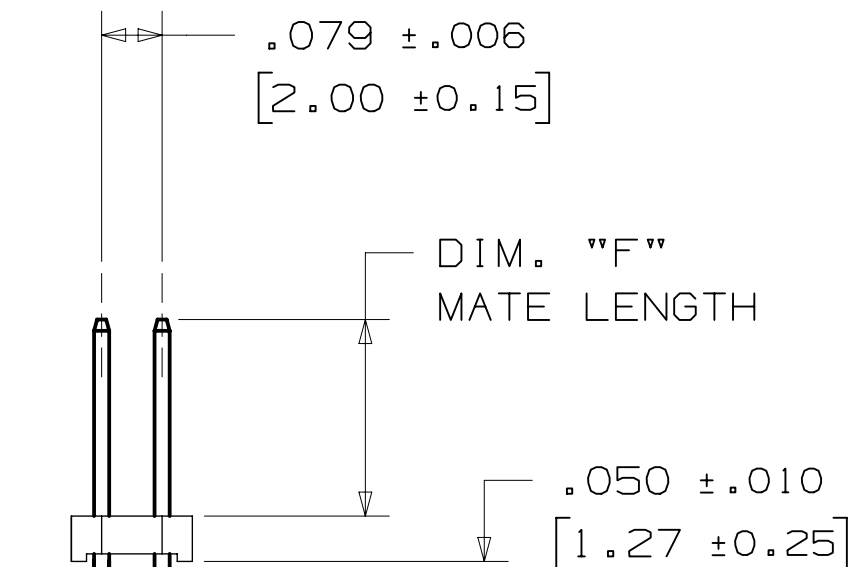
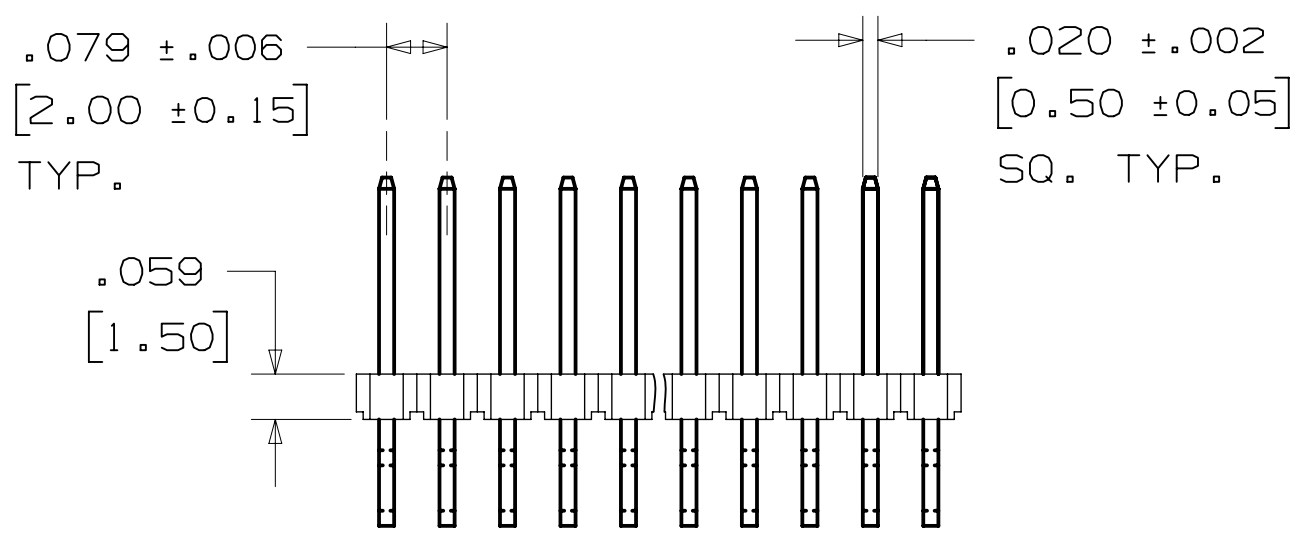
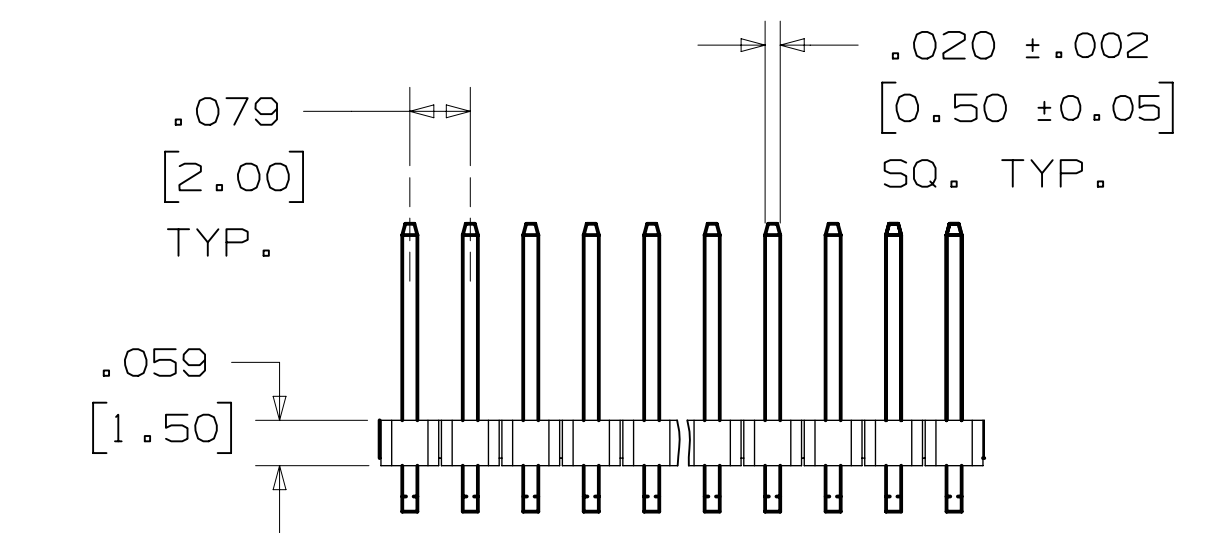
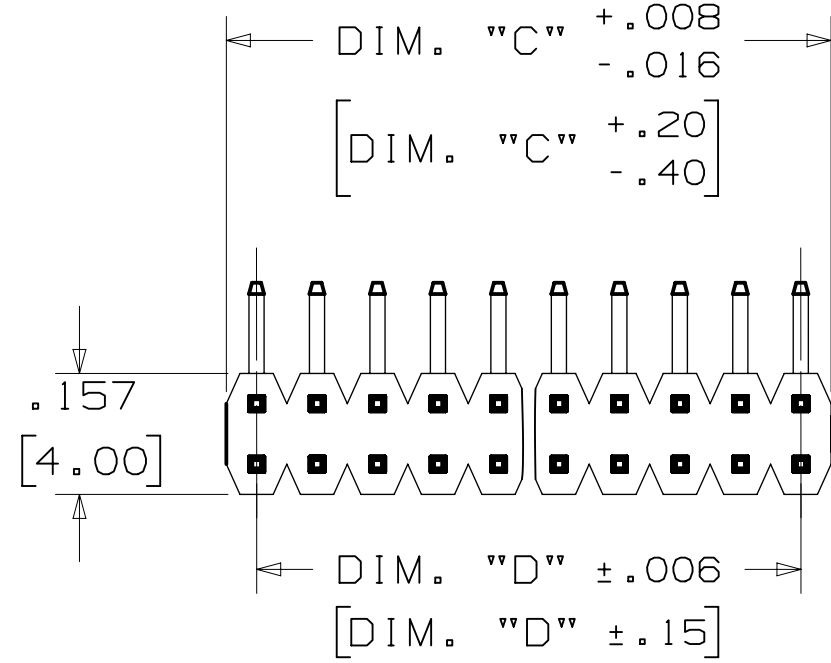
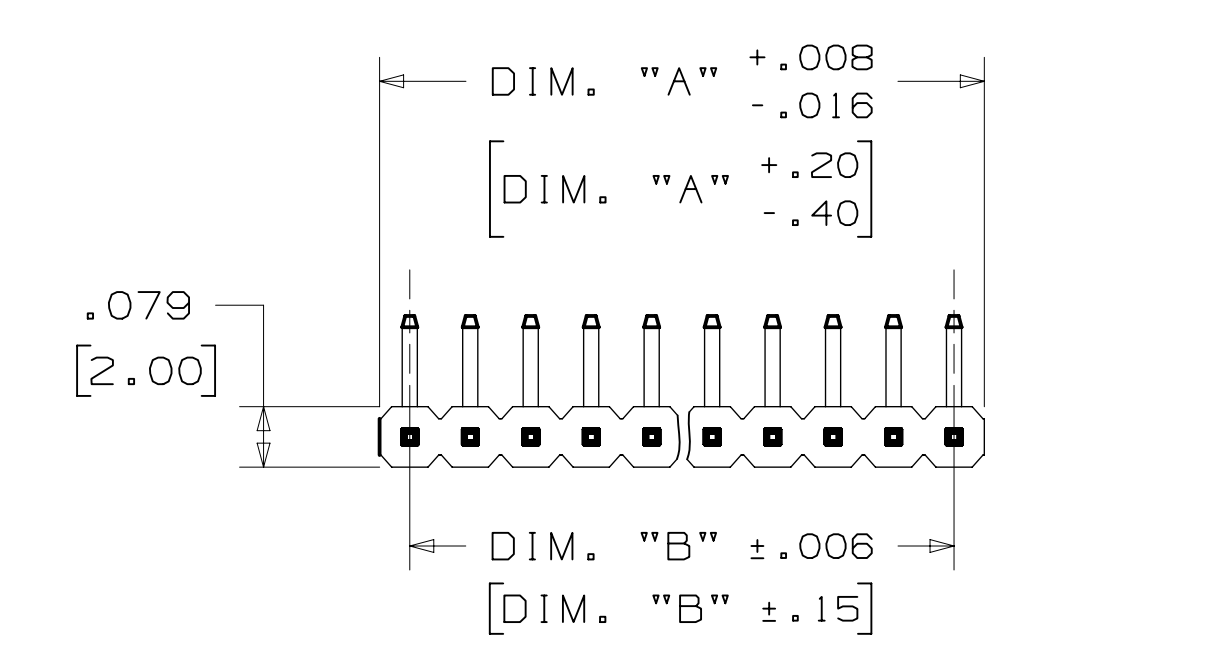
ORDERING INFORMATION  
 STRAIGHT VERSION  
 951XXX-8622-AR  
 No. OF ROWS: 1 = 1 ROW, 2 = 2 ROW  
 CONTACT QTY. 40 PINS = 1 ROW, 80 PINS = 2 ROW

|            |                       |
|------------|-----------------------|
| DIM. "A"   | .079 [2.00] X N       |
| DIM. "B"   | .079 [2.00] X (N-1)   |
| DIM. "C"   | .079 [2.00] X (N/2)   |
| DIM. "D"   | .079 [2.00] X (N/2-1) |
| SEE NOTE 3 |                       |

|                                 |               |                            |             |   |      |      |
|---------------------------------|---------------|----------------------------|-------------|---|------|------|
| DESIGN REFERENCE                | NEXT ASSEMBLY | REV                        | ECO         | ISSUE DATE AND DESCRIPTION  | DRFT | CHKD |
| ACROSS CODES                    |               | CHKD                       | CASTIGLIONE | FEB 23, 2015  |      |      |
| DIVISION                        | DIVISION CODE | DATE                       | DATE        | DATE  | DATE | DATE |
|                                 | EMSD          |                            |             |   |      |      |
| DO NOT SCALE DRAWING            | SCALE 4/1     | TOLERANCES EXCEPT AS NOTED |             | © 3M COPYR[IGHT] 2017<br>This document and the information it contains are 3M property and may not be reproduced or further distributed without 3M permission, or used or disclosed other than for 3M authorized purposes. All rights reserved. |      |      |
| THIRD ANGLE PROJECTION          |               | INCHES                     |             | TITLE<br>PIN STRIP HEADER, 2MM X 2MM, STRAIGHT, SMT & RA, SOLDER TAIL   |      |      |
| INTERPRET PER ASME Y14.5 - 2009 |               | MILLIMETERS                |             | CAGE NUMBER<br>D 78-5100-2653-3   |      |      |
| MAX SURFACE ROUGHNESS           |               | ANGLES                     |             | MODEL<br>951XXX   |      |      |
| MARKED ONLY                     |               |                            |             | REV. B<br>SHT 2 OF 5  |      |      |

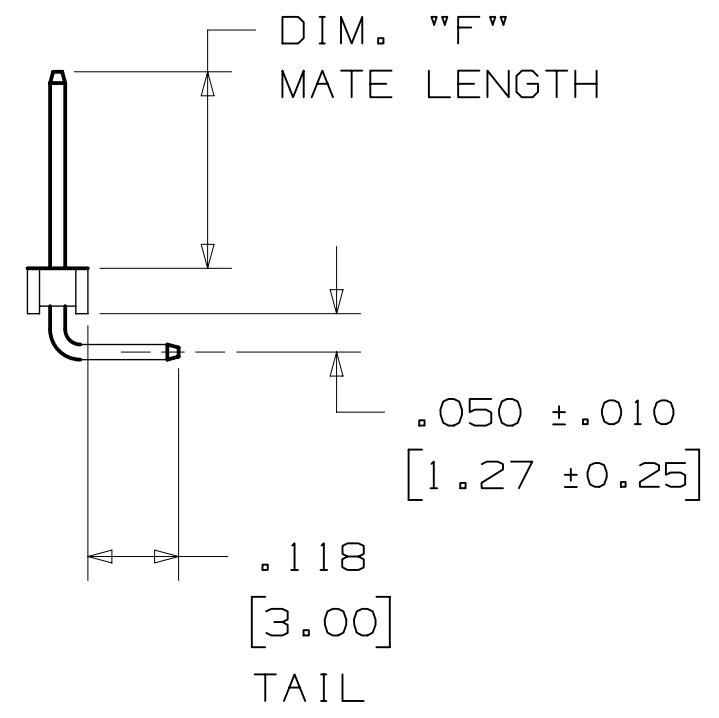
78-5100-2653-3  
 DRAWING NUMBER  
 B  
 REVISION  
 11/27/2017 UTC  
 Drf-set

3M™ PIN STRIP HEADER, 951 SERIES  
 2MM AND 2MM X 2MM STRAIGHT, RIGHT ANGLE AND SURFACE MOUNT, SOLDER TAIL



RECOMMENDED PC BOARD LAYOUT  
 (VIEWED FROM CONNECTOR SIDE)

RECOMMENDED PC BOARD LAYOUT  
 (VIEWED FROM CONNECTOR SIDE)



ORDERING INFORMATION  
 RIGHT ANGLE VERSION

951XXX-7X22-AR

No. OF ROWS:  
 1 = 1 ROW  
 2 = 2 ROW

CONTACT QTY:  
 40 PINS = 1 ROW  
 80 PINS = 2 ROW

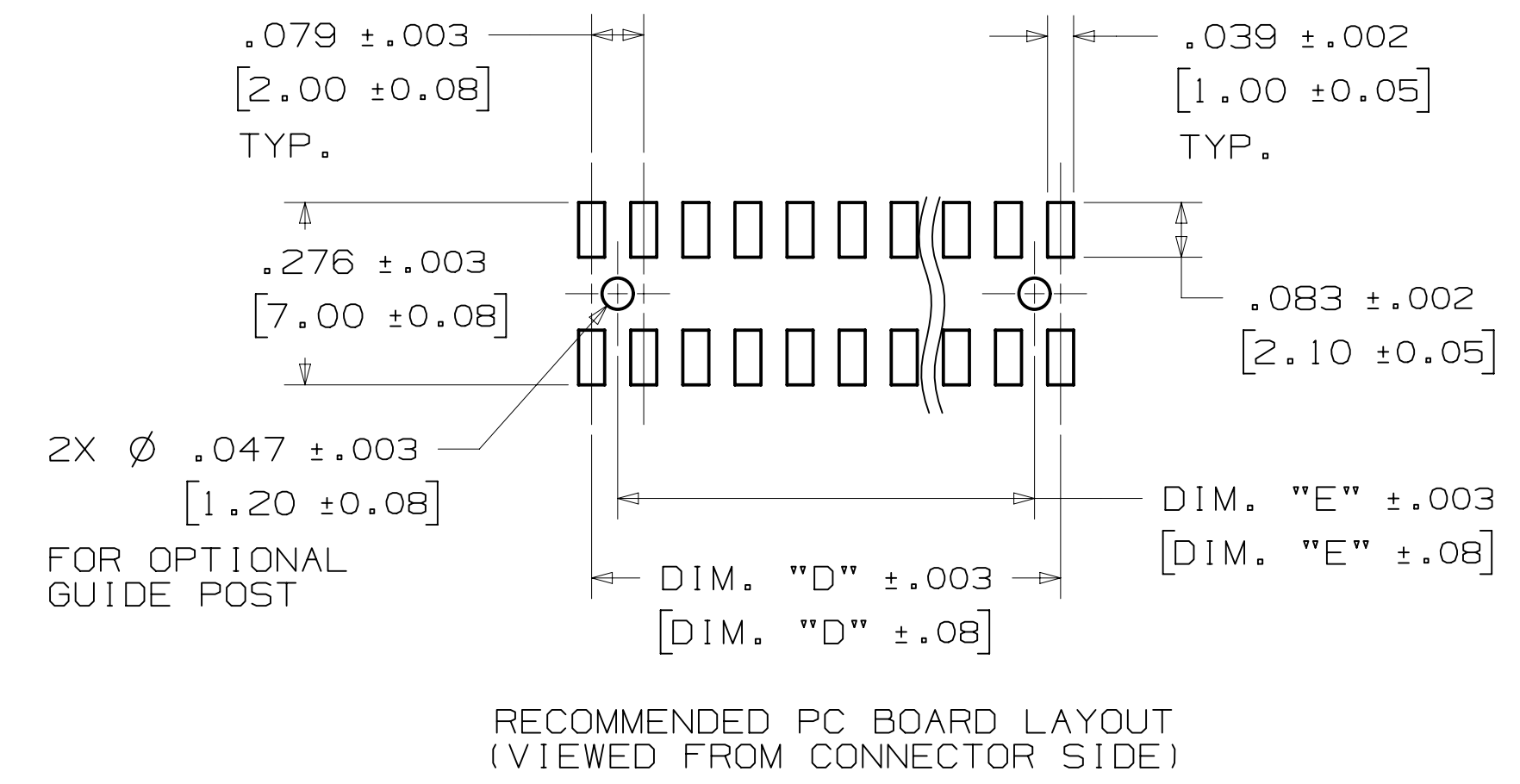
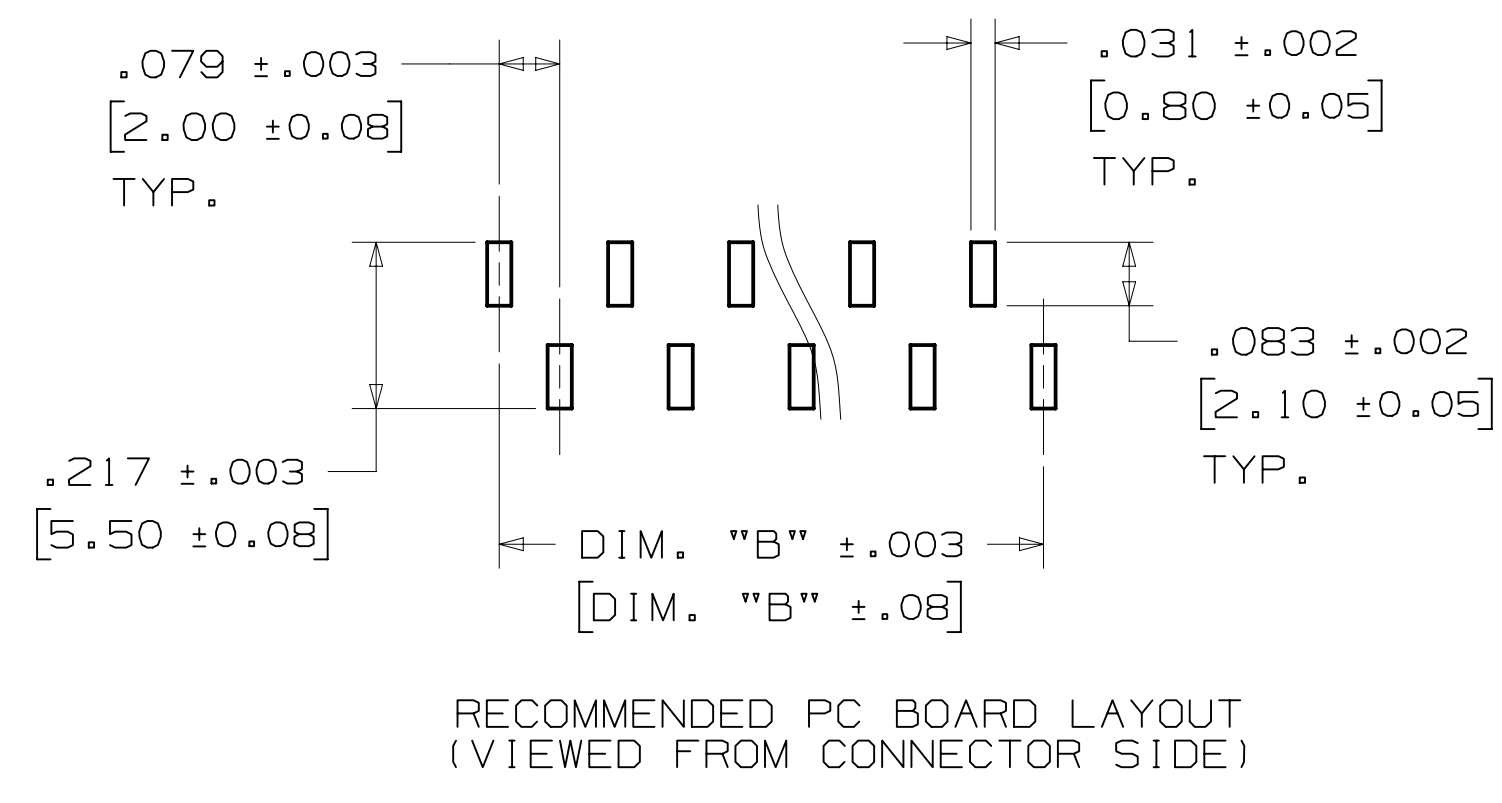
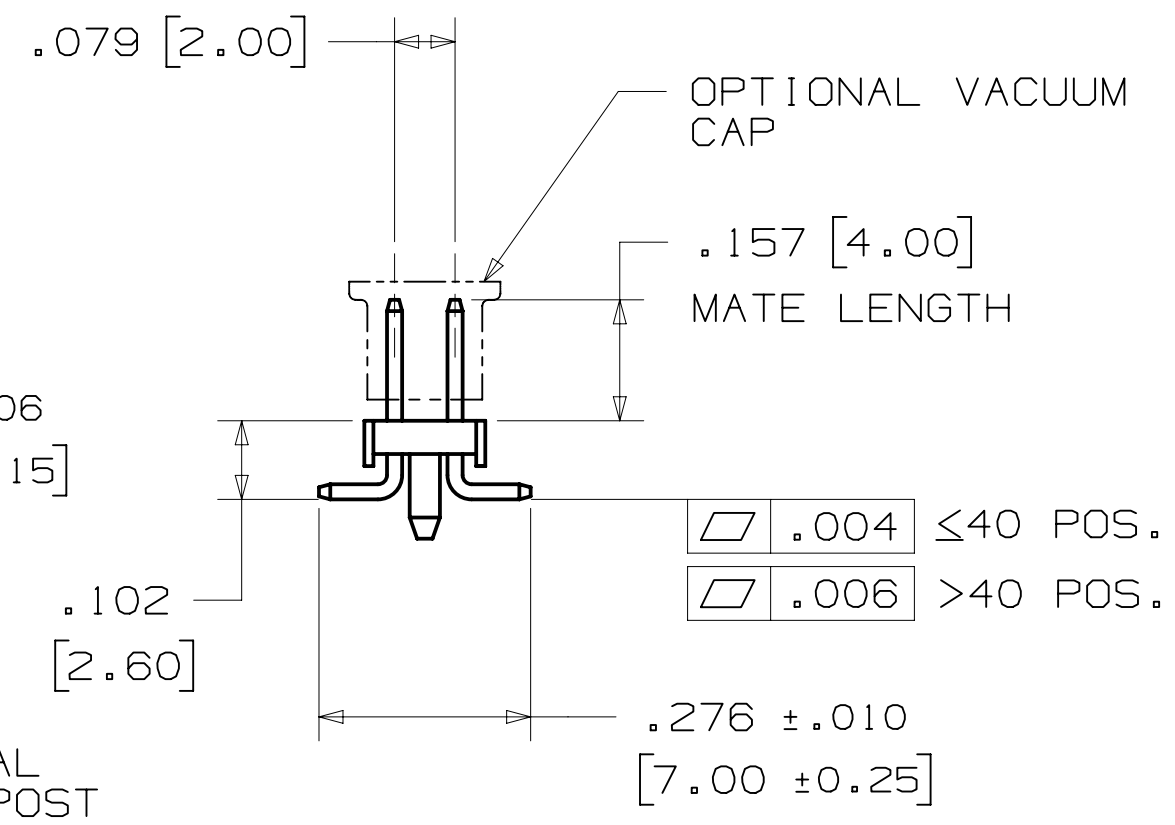
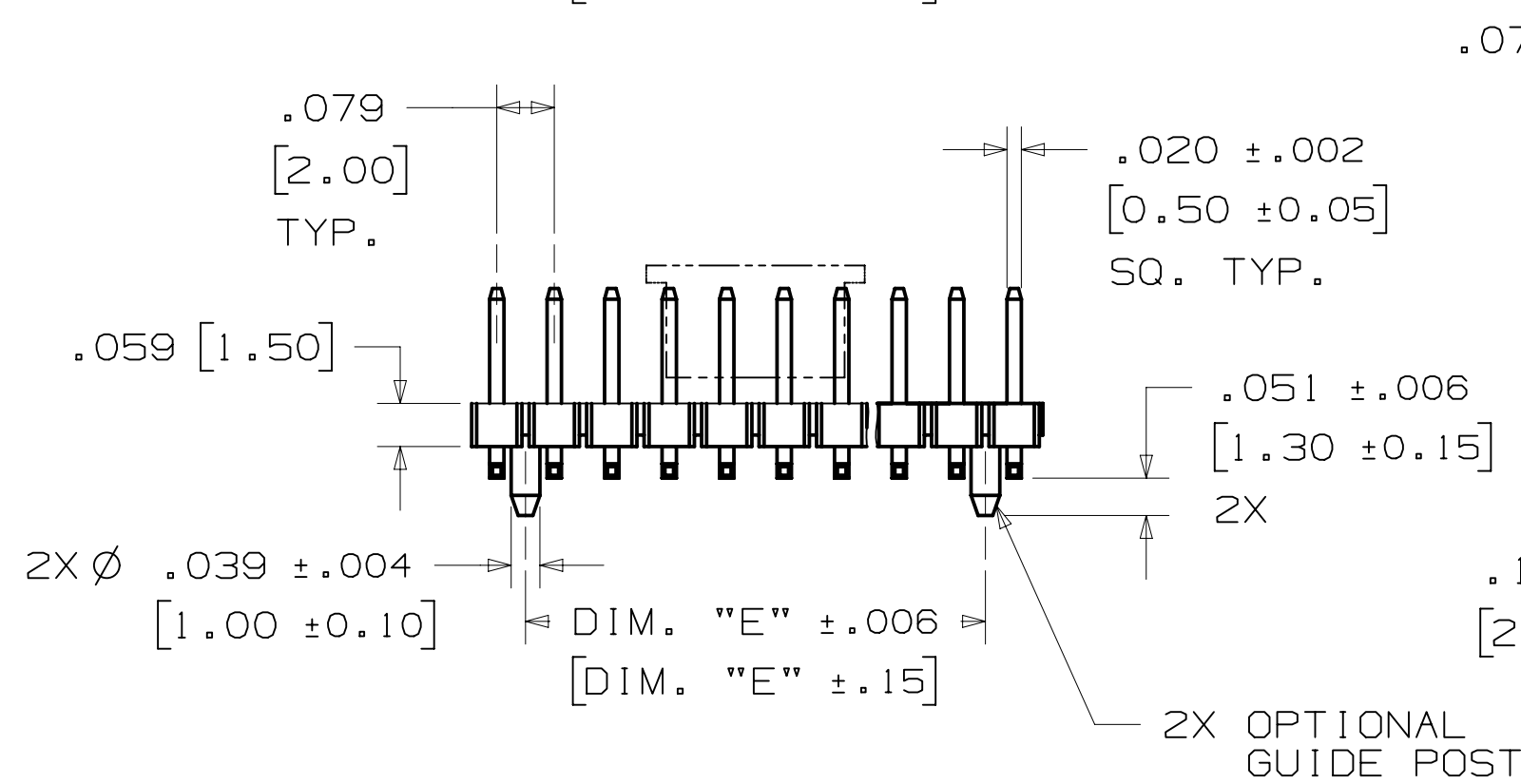
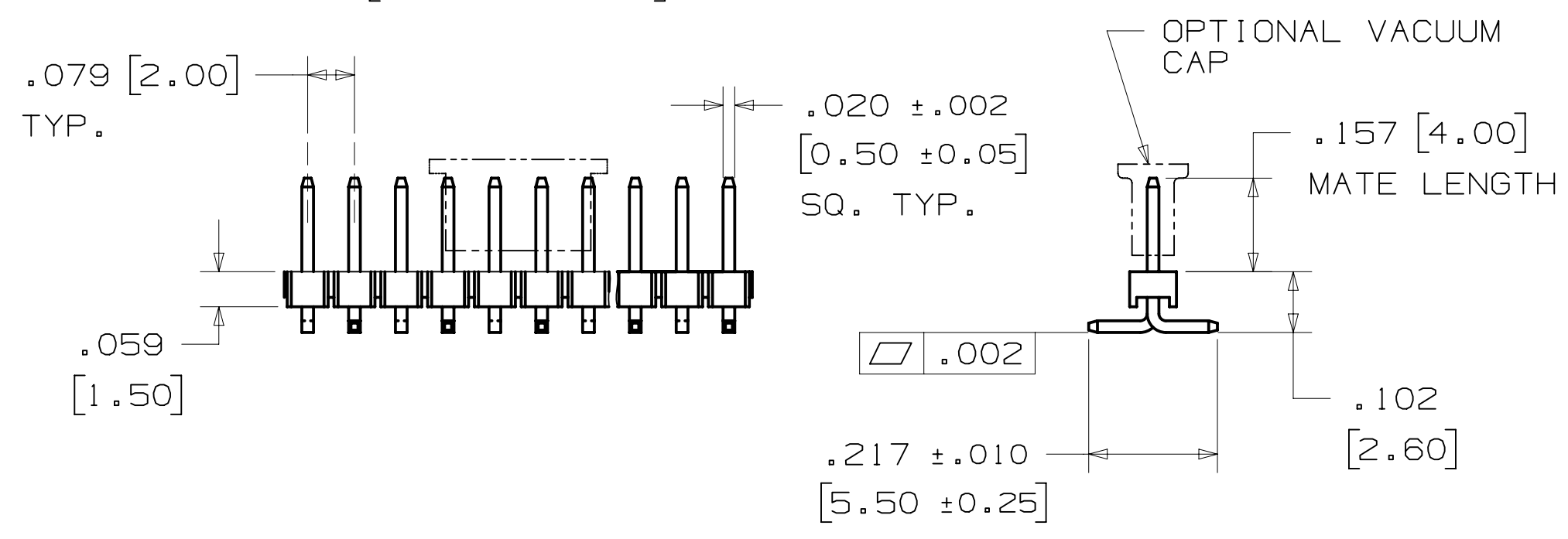
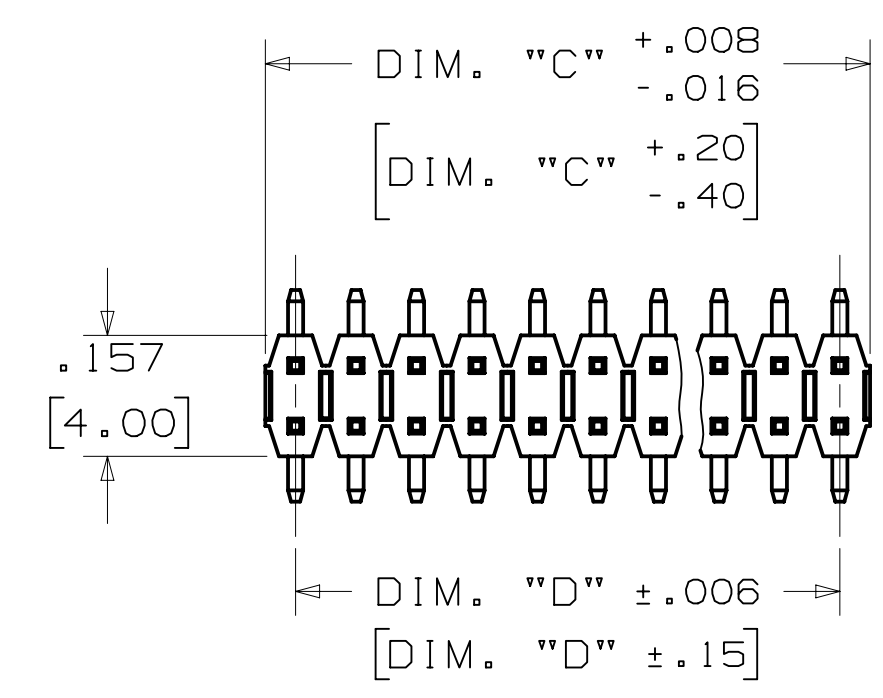
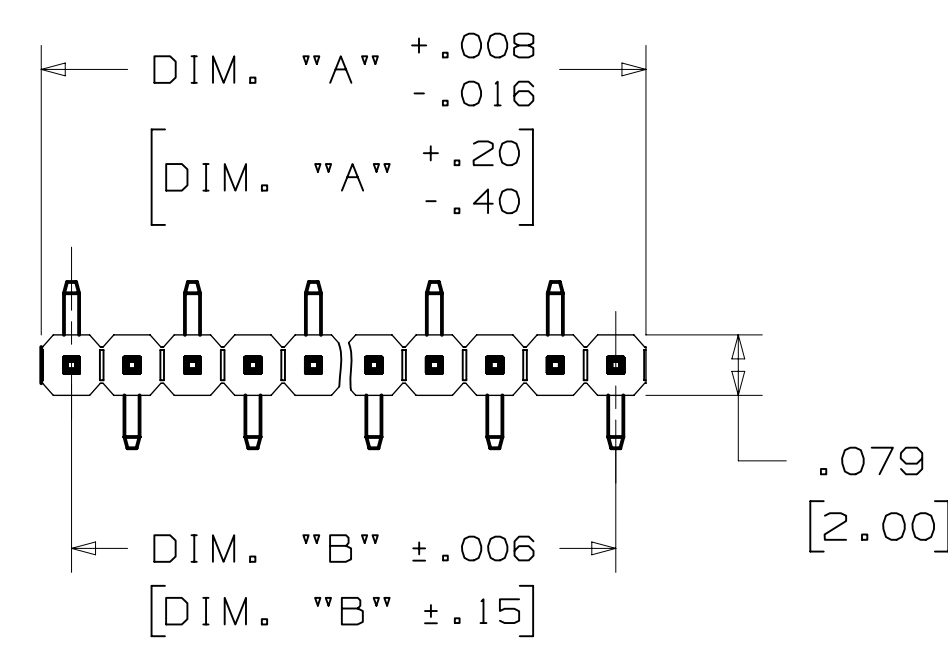
DIM. "F" MATING PIN LENGTH:  
 6 = .173 [4.40]  
 7 = .295 [7.50]

| TABLE 2    |                       |
|------------|-----------------------|
| DIM. "A"   | .079 [2.00] X N       |
| DIM. "B"   | .079 [2.00] X (N-1)   |
| DIM. "C"   | .079 [2.00] X (N/2)   |
| DIM. "D"   | .079 [2.00] X (N/2-1) |
| SEE NOTE 3 |                       |

|                                 |               |  |              |                                       |              |      |
|---------------------------------|---------------|--|--------------|---------------------------------------|--------------|------|
| DESIGN REFERENCE                | NEXT ASSEMBLY | REV  | ECO          | ISSUE DATE AND DESCRIPTION            | DRFT         | CHKD |
|                                 |               |  |              |                                       |              |      |
| DIVISION                        | DIVISION CODE | CHKD   | DATE         | APPRV                                 | DATE         |      |
|                                 | EMSD          |  | FEB 23, 2015 | T. SUNIGA                             | FEB 23, 2015 |      |
| DO NOT SCALE DRAWING            | SCALE 4/1     | TOLERANCES EXCEPT AS NOTED   |              |                                       |              |      |
| THIRD ANGLE PROJECTION          |               | INCHES<br>.00 ±<br>.000 ±<br>.0000 ±                                   |              | MILLIMETERS<br>0 ±<br>.00 ±<br>.000 ± |              |      |
| MAX SURFACE ROUGHNESS           |               | INCHES<br>.00 ±<br>.000 ±  |              | MILLIMETERS<br>0 ±<br>.00 ±           |              |      |
| INTERPRET PER ASME Y14.5 - 2009 |               | TITLES<br>PIN STRIP HEADER, 2MM X 2MM, STRAIGHT, SMT & RA, SOLDER TAIL |              | CAGE NUMBER<br>D 78-5100-2653-3 B     |              |      |
| MARKED ONLY                     |               | MODEL<br>951XXX  |              | REV.<br>SHT 3 OF 5                    |              |      |

|   |       |                             |     |    |  |
|---|-------|-----------------------------|-----|----|--|
| B | 76546 | NOV 08, 2017                | JNC | SC |  |
|   |       | REVISE SHT 4                |     |    |  |
| A | 72044 | MAR 06, 2017                | JNC | TS |  |
|   |       | REVISE ELECTRICAL NOTES     |     |    |  |
|   |       | 3-2-17 REMOVED 2 CONNECTORS |     |    |  |
|   |       | PRODUCTION RELEASE          |     |    |  |

3M™ PIN STRIP HEADER, 951 SERIES  
 2MM AND 2MM X 2MM STRAIGHT, RIGHT ANGLE AND SURFACE MOUNT, SOLDER TAIL



ORDERING INFORMATION  
 SURFACE MOUNT VERSION

951XXX-25X0-AR-XX

No. OF ROWS:  
 1 = 1 ROW  
 2 = 2 ROW

CONTACT QUANTITY:  
 40 PINS = 1 ROW  
 80 PINS = 2 ROW

PACKAGING:  
 TP = TUBE  
 PT = TUBE WITH PAD  
 PR = TAPE & REEL WITH PAD  
 NOTE: PAD OPTIONS  
 1 ROW = 40 POSITION  
 2 ROW = 80 POSITION

BOARD LOCATION FEATURES:  
 3 = 1 ROW / PIN 1 LEFT  
 2 = 2 ROW / NONE  
 5 = 2 ROW / WITH LOCATION POST  
 ( 8 - 14 CONTACTS)

TABLE 3

|            |                       |
|------------|-----------------------|
| DIM. "A"   | .079 [2.00] X N       |
| DIM. "B"   | .079 [2.00] X (N-1)   |
| DIM. "C"   | .079 [2.00] X (N/2)   |
| DIM. "D"   | .079 [2.00] X (N/2-1) |
| DIM. "E"   | .079 [2.00] X (N/2-2) |
| SEE NOTE 3 |                       |

TAPE & REEL OPTION

|                 |              |     |
|-----------------|--------------|-----|
| 1 ROW           | CONTACT QTY. | 40  |
| 2 ROW           | CONTACT QTY. | 80  |
| TAPE WIDTH [MM] |              | 104 |

|     |       |  |      |      |
|-----|-------|--|------|------|
| REV | ECO   | ISSUE DATE AND DESCRIPTION   | DRFT | CHKD |
| B   | 76546 | NOV 08, 2017<br>REVISE SHT 4   | JNC  | SC   |
| A   | 72044 | MAR 06, 2017<br>REVISE ELECTRICAL NOTES<br>3-2-17 REMOVED 2 CONNECTORS<br>PRODUCTION RELEASE | JNC  | TS   |

|                            |                                 |  |                |                            |              |          |
|----------------------------|---------------------------------|--|----------------|----------------------------|--------------|----------|
| DESIGN REFERENCE           | NEXT ASSEMBLY                   | REV  | ECO            | ISSUE DATE AND DESCRIPTION | DRFT         | CHKD     |
| DO NOT SCALE DRAWING       | SCALE 4/1                       | CASTIGLIONE  | FEB 23, 2015   | MFG DATE                   |              |          |
| THIRD ANGLE PROJECTION     | INTERPRET PER ASME Y14.5 - 2009 | APPRV  | T. SUNIGA      | DATE                       | FEB 23, 2015 |          |
| MAX SURFACE ROUGHNESS      | INCHES                          |  |                |                            |              |          |
| TOLERANCES EXCEPT AS NOTED | MILLIMETERS                     | TITLE<br><b>PIN STRIP HEADER, 2MM X 2MM, STRAIGHT, SMT &amp; RA, SOLDER TAIL</b> |                |                            |              |          |
| MARKED ONLY                | ANGLES                          | CAGE NUMBER  | SIZE           | DRAWING NO.                | REV.         |          |
|                            |                                 | D  | 78-5100-2653-3 | B                          |              |          |
|                            |                                 | MODEL  | 951XXX         | DET                        | ISTS         | YES X NO |
|                            |                                 |  |                | SHT                        | 4 OF 5       |          |

3M™ PIN STRIP HEADER, 951 SERIES  
 2MM AND 2MM X 2MM STRAIGHT, RIGHT ANGLE AND SURFACE MOUNT, SOLDER TAIL

**Regulatory:** For regulatory information about this product, visit [3M.com/regs](http://3M.com/regs) or contact your 3M representative.

**Technical Information:** The technical information, recommendations and other statements contained in this document are based upon tests or experience that 3M believes are reliable, but the accuracy or completeness of such information is not guaranteed.

**Product Use:** Many factors beyond 3M's control and uniquely within user's control can affect the use and performance of a 3M product in a particular application. Given the variety of factors that can affect the use and performance of a 3M product, user is solely responsible for evaluating the 3M product and determining whether it is fit for a particular purpose and suitable for user's method of application.

**Warranty, Limited Remedy, and Disclaimer:** Unless an additional warranty is specifically stated on the applicable 3M product packaging or product literature, 3M warrants that each 3M product meets the applicable 3M product specification at the time 3M ships the product. 3M MAKES NO OTHER WARRANTIES OR CONDITIONS, EXPRESS OR IMPLIED, INCLUDING, BUT NOT LIMITED TO, ANY IMPLIED WARRANTY OR CONDITION OF MERCHANTABILITY OR FITNESS FOR A PARTICULAR PURPOSE OR ANY IMPLIED WARRANTY OR CONDITION ARISING OUT OF A COURSE OF DEALING, CUSTOM OR USAGE OR TRADE. If the 3M product does not conform to this warranty, then the sole and exclusive remedy is, at 3M's option, replacement of the 3M product or refund of the purchase price.

**Limitation of Liability:** Except where prohibited by law, 3M will not be liable for any loss or damage arising from the 3M product, whether direct, indirect, special, incidental or consequential, regardless of the legal theory asserted, including warranty, contract, negligence or strict liability.

3M Electronics Materials Solutions Division  
 6801 River Place Blvd.  
 Austin, TX 78726-9000  
 1-800-225-5373  
[www.3M.com/interconnect](http://www.3M.com/interconnect)

|                        |                                 |                            |     |   |      |      |
|------------------------|---------------------------------|----------------------------|-----|---|------|------|
| DESIGN REFERENCE       | NEXT ASSEMBLY                   | REV                        | ECO | ISSUE DATE AND DESCRIPTION  | DRFT | CHKD |
|                        |                                 |                            |     |   |      |      |
| DO NOT SCALE DRAWING   | SCALE 4/1                       | TOLERANCES EXCEPT AS NOTED |     |  © 3M COPYRIGHT 2017<br>This document and the information it contains are 3M property and may not be reproduced or further distributed without 3M permission, or used or disclosed other than for 3M authorized purposes. All rights reserved. |      |      |
| THIRD ANGLE PROJECTION | INTERPRET PER ASME Y14.5 - 2009 | MILLIMETERS                |     | TITLE<br><b>PIN STRIP HEADER, 2MM X 2MM, STRAIGHT, SMT &amp; RA, SOLDER TAIL</b>  |      |      |
| MAX SURFACE ROUGHNESS  | MARKED ONLY                     | INCHES                     |     | CAGE NUMBER<br><b>D78-5100-2653-3</b>   |      |      |
|                        |                                 | ANGLES                     |     | MODEL<br><b>951XXX</b>  |      |      |
|                        |                                 |                            |     | REV. 1<br>DATE FEB 23, 2015<br>APPR. T. SUNIGA<br>DATE FEB 23, 2015   |      |      |
|                        |                                 |                            |     | DIVISION<br><b>EMSD</b>   |      |      |
|                        |                                 |                            |     | CAGE NUMBER<br><b>D78-5100-2653-3</b>   |      |      |
|                        |                                 |                            |     | REV. B  |      |      |
|                        |                                 |                            |     | SHT 5 OF 5  |      |      |

78-5100-2653-3  
 DRAWING NUMBER  
 B  
 REVISION  
 01/27/2017  
 Standard Time  
 B.2 Central  
 Drf-set



Компания «ЭлектроПласт» предлагает заключение долгосрочных отношений при поставках импортных электронных компонентов на взаимовыгодных условиях!

Наши преимущества:

- Оперативные поставки широкого спектра электронных компонентов отечественного и импортного производства напрямую от производителей и с крупнейших мировых складов;
- Поставка более 17-ти миллионов наименований электронных компонентов;
- Поставка сложных, дефицитных, либо снятых с производства позиций;
- Оперативные сроки поставки под заказ (от 5 рабочих дней);
- Экспресс доставка в любую точку России;
- Техническая поддержка проекта, помощь в подборе аналогов, поставка прототипов;
- Система менеджмента качества сертифицирована по Международному стандарту ISO 9001;
- Лицензия ФСБ на осуществление работ с использованием сведений, составляющих государственную тайну;
- Поставка специализированных компонентов (Xilinx, Altera, Analog Devices, Intersil, Interpoint, Microsemi, Aeroflex, Peregrine, Syfer, Eurofarad, Texas Instrument, Miteq, Cobham, E2V, MA-COM, Hittite, Mini-Circuits, General Dynamics и др.);

Помимо этого, одним из направлений компании «ЭлектроПласт» является направление «Источники питания». Мы предлагаем Вам помощь Конструкторского отдела:

- Подбор оптимального решения, техническое обоснование при выборе компонента;
- Подбор аналогов;
- Консультации по применению компонента;
- Поставка образцов и прототипов;
- Техническая поддержка проекта;
- Защита от снятия компонента с производства.



#### Как с нами связаться

**Телефон:** 8 (812) 309 58 32 (многоканальный)

**Факс:** 8 (812) 320-02-42

**Электронная почта:** [org@eplast1.ru](mailto:org@eplast1.ru)

**Адрес:** 198099, г. Санкт-Петербург, ул. Калинина, дом 2, корпус 4, литера А.