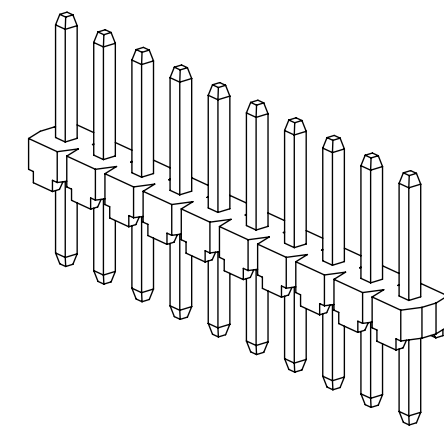
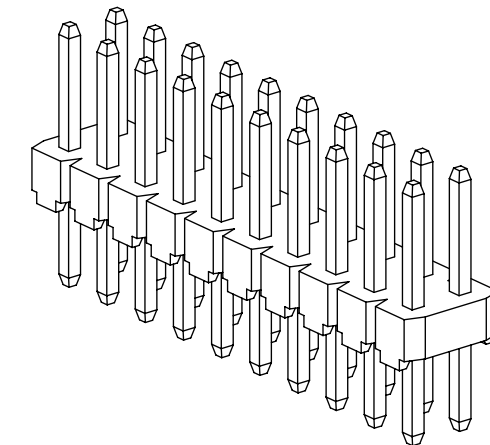


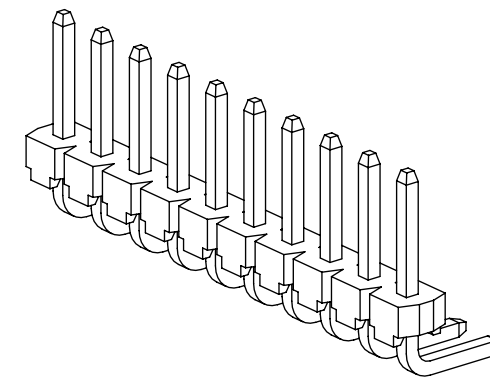
3M™ PIN STRIP HEADER, 951 SERIES
2MM AND 2MM X 2MM STRAIGHT, RIGHT ANGLE AND SURFACE MOUNT, SOLDER TAIL



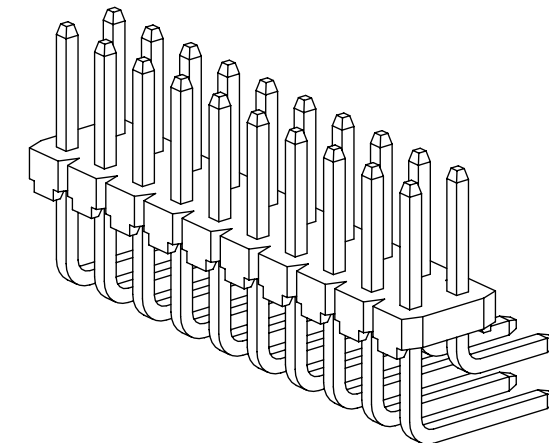
SINGLE ROW
STRAIGHT
VERSION



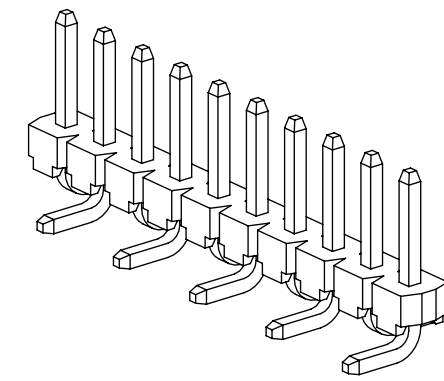
DUAL ROW
STRAIGHT
VERSION



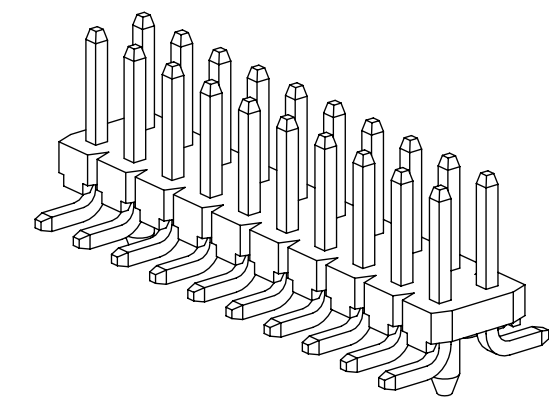
SINGLE ROW
RIGHT ANGLE
VERSION



DUAL ROW
RIGHT ANGLE
VERSION



SINGLE ROW
SURFACE MOUNT
VERSION



DUAL ROW
SURFACE MOUNT
VERSION

- NOTES
1. REGULATORY INFORMATION:
VISIT 3M.com/regs OR CONTACT YOUR 3M REPRESENTATIVE TO FIND THE RoHS COMPLIANCE STATUS OF THE 3M PART YOU ARE INTERESTED IN.
 2. IN THE EVENT OF CONFLICT BETWEEN THIS DATA AND THAT CONTAINED IN THE PRODUCT SPECIFICATION, THE PRODUCT SPECIFICATION TAKES PRECEDENT.
 3. N = THE NUMBER OF POSITIONS.

2 PHYSICAL :

INSULATOR:
MATERIAL: HIGH TEMP THERMOPLASTIC
FLAMMABILITY: UL94V-0
COLOR: BLACK
CONTACT:
MATERIAL: BRASS
PLATING:
UNDER PLATING: 50µ" [1.27µm] NICKEL-OVERALL
WIPING AREA: GOLD FLASH
SOLDER TAILS: 40-118µ" [1-3µm]
MARKINGS: ORIENTATION TRIANGLE

2 ELECTRICAL :

CURRENT RATING: 2A
CONTACT RESISTANCE: ≤ 20mΩ
INSULATION RESISTANCE: ≥ 1000MΩ
WITHSTANDING VOLTAGE: 500V_{RMS} 1mA, 60s

2 MECHANICAL :

RETENTION FORCE: ≥ 4.5N PER PIN

2 ENVIRONMENTAL :

TEMPERATURE RATING: -55°C TO 125°C
HUMIDITY: < 93% AT 40°C
RESISTANCE TO SOLDERING HEAT: PBT, 245°C±5°C, 10s

3M ELECTRONICS MATERIALS SOLUTIONS DIVISION
INTERCONNECT SOLUTIONS
<http://www.3mconnectors.com>

3M IS A TRADEMARK OF 3M COMPANY.
FOR TECHNICAL, SALES OR ORDERING
INFORMATION CALL 800-225-5373



UL FILE NO: E68080

MM [INCH]		
TOLERANCE - UNLESS NOTED		
	X.	.XX
MM	±.5	±.20
[INCH]	±.02	±.008
[] = DIM. FOR REFERENCE ONLY		

DIMENSIONS: INCH [MM]
[MM] FOR REF. ONLY

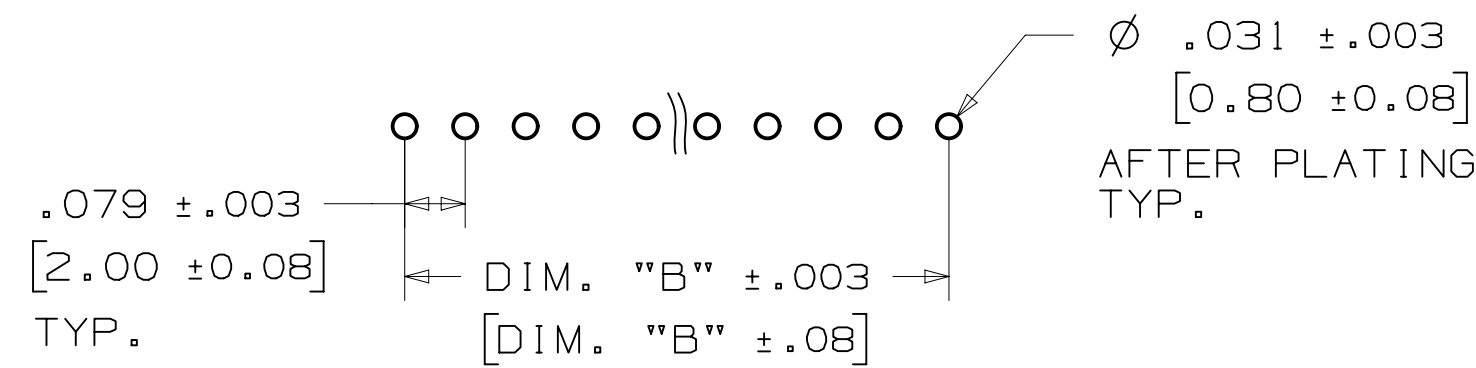
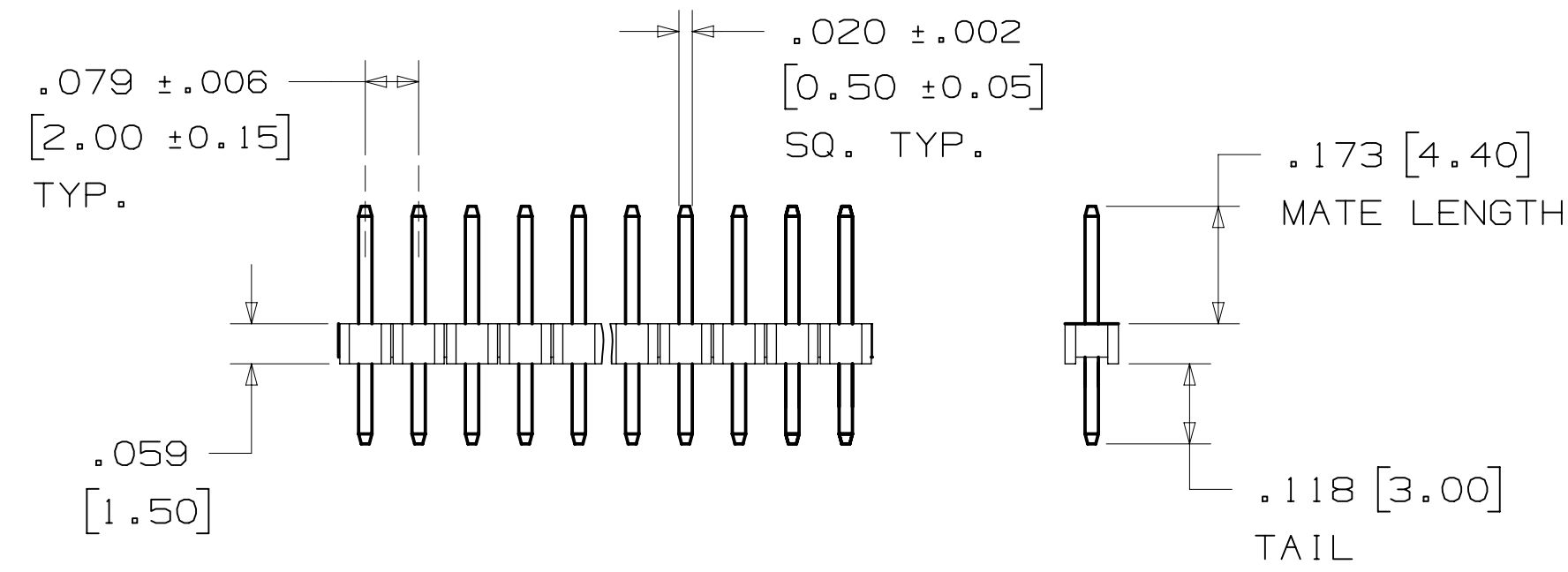
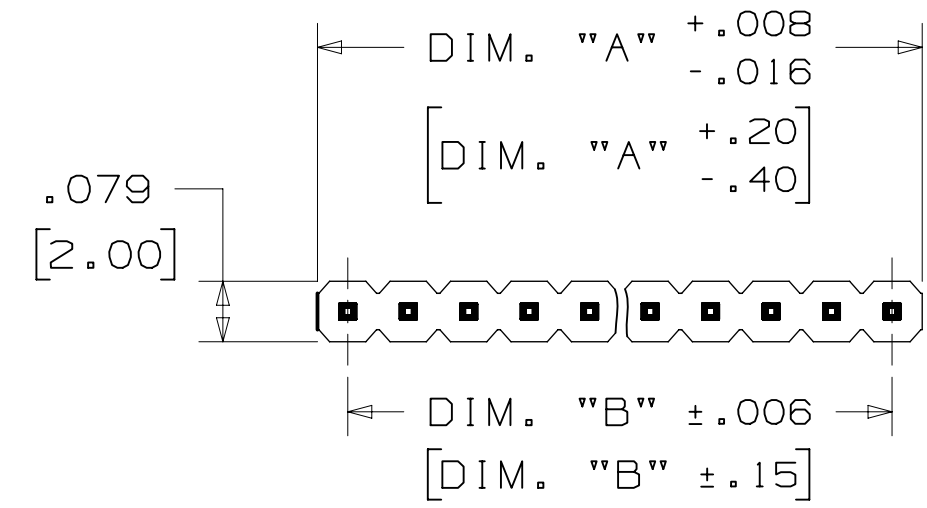
DESIGN REFERENCE	NEXT ASSEMBLY	REV	ECO	ISSUE DATE AND DESCRIPTION	DRFT	CHKD
APPROVED	DATE	APPROVED	DATE	MFG DATE		
CASTIGLIONE	FEB 23, 2015	T. SUNIGA	FEB 23, 2015			
DIVISION	DIVISION CODE	DATE				
	EMSD					
DO NOT SCALE DRAWING	SCALE 4/1	TOLERANCES EXCEPT AS NOTED				
		INCHES				
		.00 ±				
		.000 ±				
		.0000 ±				
		MILLIMETERS				
		0 ±				
		.00 ±				
		.000 ±				
		.000 ±				
		MARKED ONLY				
THIRD ANGLE PROJECTION						
INTERPRET PER ASME Y14.5 - 2009						
MAX. SURFACE ROUGHNESS						
SURFACES						
MARKED ONLY						

REV	ECO	ISSUE DATE AND DESCRIPTION	DRFT	CHKD
A	72044	MAR 06, 2017	JNC	TS
REVISE ELECTRICAL NOTES				
3-2-17 REMOVED 2 CONNECTORS				
PRODUCTION RELEASE				
B	76546	NOV 08, 2017	JNC	SC
REVISE SHT 4				

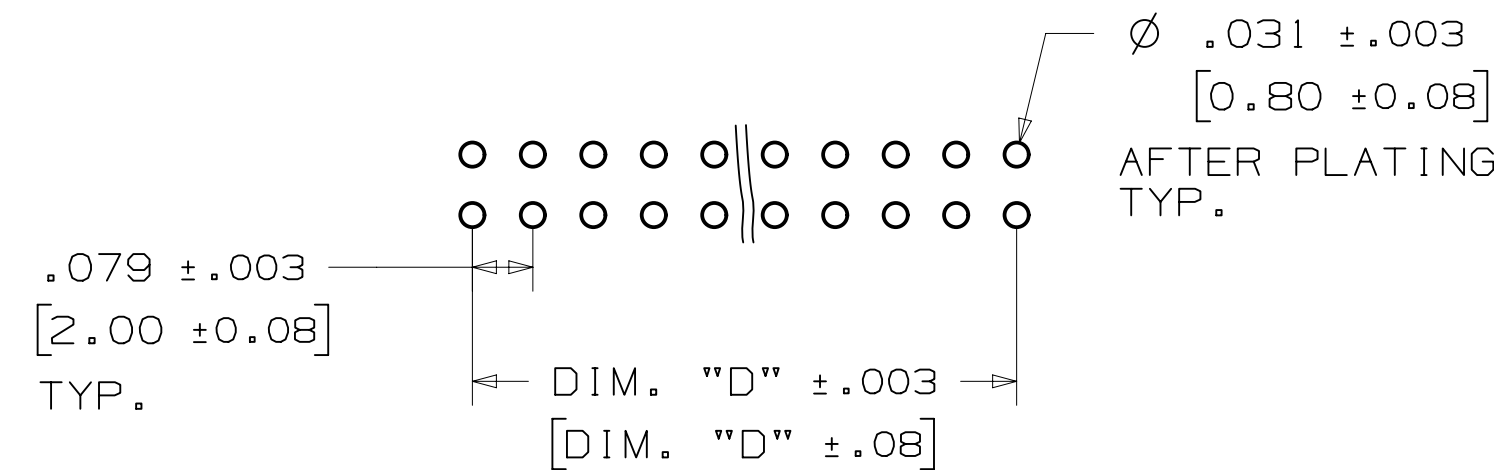
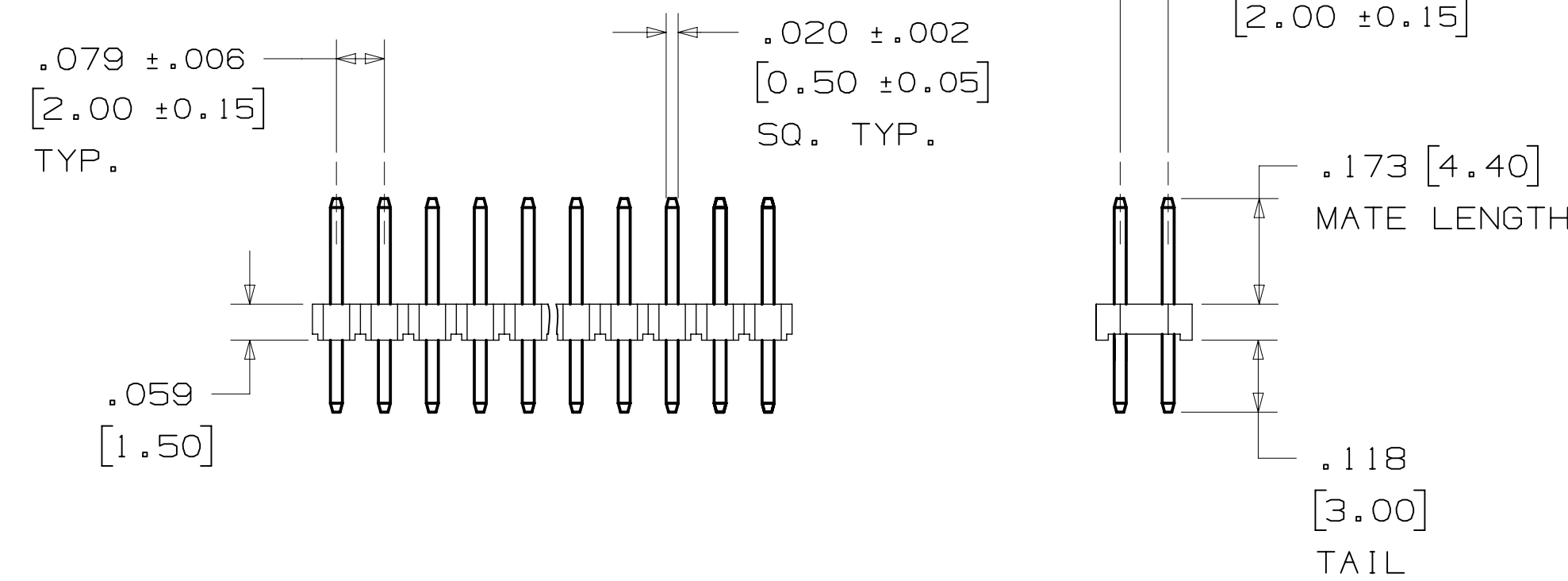
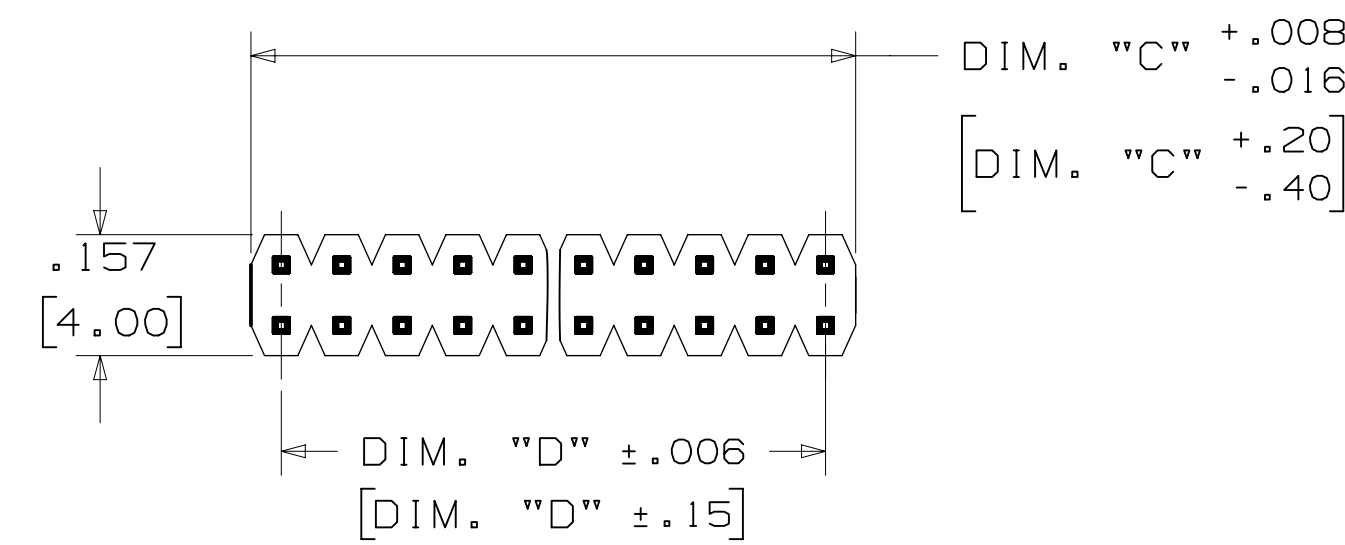
TITLE	PIN STRIP HEADER, 2MM X 2MM, STRAIGHT, SMT & RA, SOLDER TAIL
CAGE NUMBER	D78-5100-2653-3
SIZE	B
DRAWING NO.	78-5100-2653-3
REV.	B
MODEL	951XXX
DET.	1
YES	X
NO	
SHT	1 OF 5

B REVISION
 78-5100-2653-3 DRAWING NUMBER
 B
 09r-set
 A
 Standard Time 11/27/2017 UTC

3M™ PIN STRIP HEADER, 951 SERIES
2MM AND 2MM X 2MM STRAIGHT, RIGHT ANGLE AND SURFACE MOUNT, SOLDER TAIL



RECOMMENDED PC BOARD LAYOUT
(VIEWED FROM CONNECTOR SIDE)



RECOMMENDED PC BOARD LAYOUT
(VIEWED FROM CONNECTOR SIDE)

ORDERING INFORMATION
STRAIGHT VERSION

951XXX-8622-AR

No. OF ROWS: 1 = 1 ROW, 2 = 2 ROW
 CONTACT QTY. 40 PINS = 1 ROW, 80 PINS = 2 ROW

TABLE 1	
DIM. "A"	.079 [2.00] X N
DIM. "B"	.079 [2.00] X (N-1)
DIM. "C"	.079 [2.00] X (N/2)
DIM. "D"	.079 [2.00] X (N/2-1)
SEE NOTE 3	

DESIGN REFERENCE	NEXT ASSEMBLY	REV	ECO	ISSUE DATE AND DESCRIPTION	DRFT	CHKD
APPROVED	DATE	DATE	DATE	DATE	DATE	DATE
DIVISION		DIVISION CODE		MFG		
		EMSD		3M Center St. Paul, MN 55144		
DO NOT SCALE DRAWING	SCALE 4/1	TOLERANCES EXCEPT AS NOTED		© 3M COPYRIGHT 2017		
		INCHES		This document and the information it contains are 3M property and may not be reproduced or further distributed without 3M permission, or used or disclosed other than for 3M authorized purposes. All rights reserved.		
		MILLIMETERS		TITLE		
		0 ±		PIN STRIP HEADER, 2MM X 2MM, STRAIGHT, SMT & RA, SOLDER TAIL		
		.00 ±		CAGE NUMBER		
		.000 ±		D 78-5100-2653-3 B		
		.0000 ±		DRAWING NO.		
		.00 ±		78-5100-2653-3		
		.00 ±		REV.		
		.00 ±		B		
		.00 ±		MODEL		
		.00 ±		951XXX		
		.00 ±		DET		
		.00 ±		I1S1s		
		.00 ±		YES		
		.00 ±		NO		
		.00 ±		SHT 2 OF 5		
		.00 ±				

78-5100-2653-3 DRAWING NUMBER
 B REVISION
 B
 Drf-set
 Time 11/27/2017 UTC
 Standard
 B.2 Central

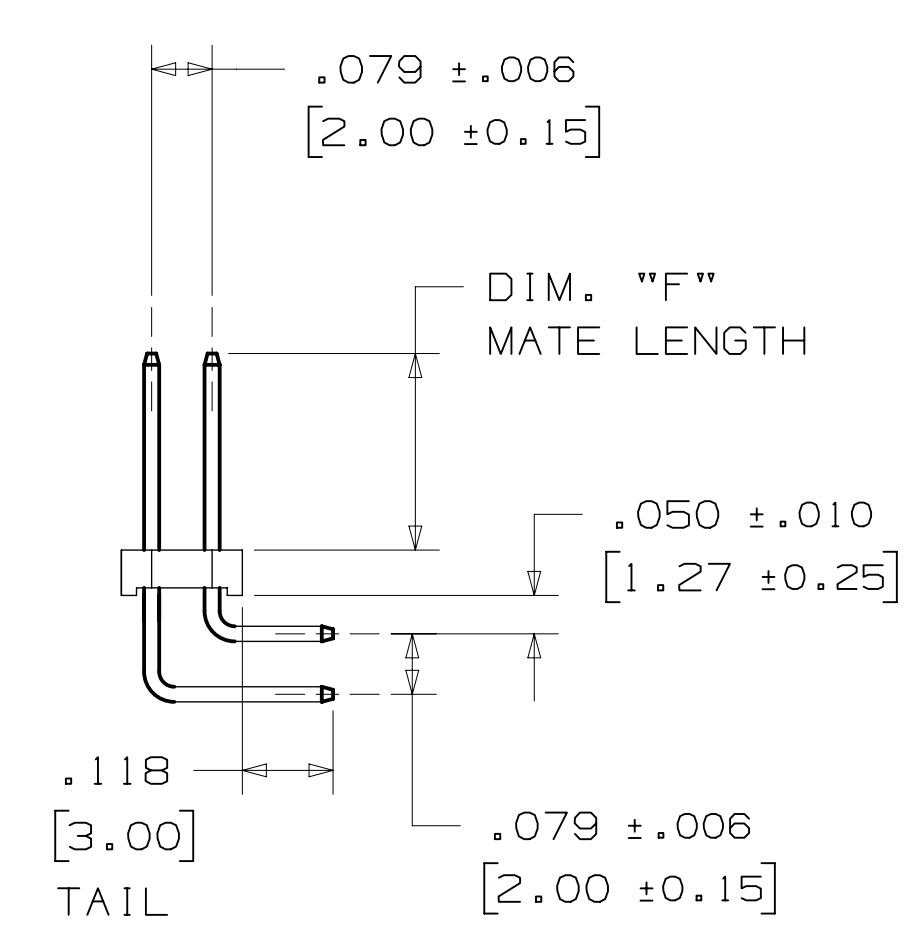
3M™ PIN STRIP HEADER, 951 SERIES
 2MM AND 2MM X 2MM STRAIGHT, RIGHT ANGLE AND SURFACE MOUNT, SOLDER TAIL



RECOMMENDED PC BOARD LAYOUT
 (VIEWED FROM CONNECTOR SIDE)



RECOMMENDED PC BOARD LAYOUT
 (VIEWED FROM CONNECTOR SIDE)



ORDERING INFORMATION
 RIGHT ANGLE VERSION

951XXX-7X22-AR

No. OF ROWS:
 1 = 1 ROW
 2 = 2 ROW

CONTACT QTY:
 40 PINS = 1 ROW
 80 PINS = 2 ROW

DIM. "F" MATING PIN LENGTH:
 6 = .173 [4.40]
 7 = .295 [7.50]

DIM. "A"	.079 [2.00] X N
DIM. "B"	.079 [2.00] X (N-1)
DIM. "C"	.079 [2.00] X (N/2)
DIM. "D"	.079 [2.00] X (N/2-1)
SEE NOTE 3	

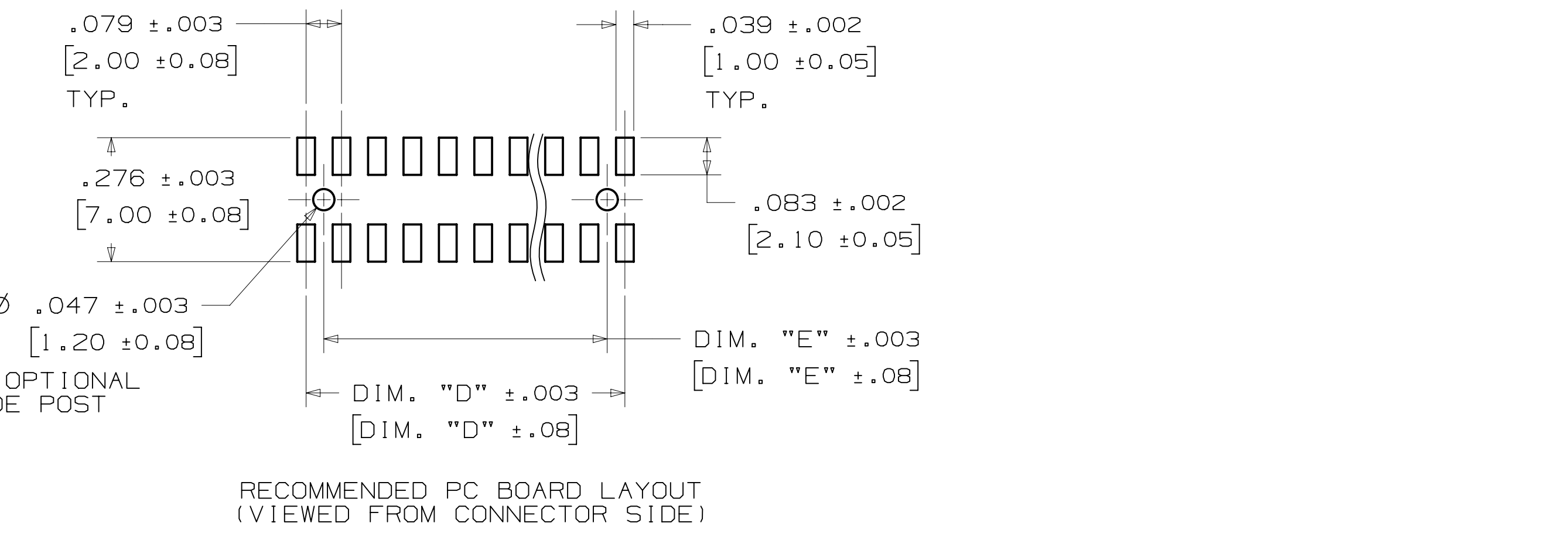
DESIGN REFERENCE	NEXT ASSEMBLY	REV	ECO	ISSUE DATE AND DESCRIPTION	DRFT	CHKD
APPROVED	DATE	DATE	DATE	DATE	DATE	DATE
CHKD	DATE	DATE	DATE	DATE	DATE	DATE
DIVISION		DIVISION CODE		MFG		
DO NOT SCALE DRAWING		SCALE		TOLERANCES EXCEPT AS NOTED		
THIRD ANGLE PROJECTION		INCHES		MILLIMETERS		
MAX SURFACE ROUGHNESS		SURFACES		MARKED ONLY		
CAGE NUMBER		SIZE	DRAWING NO.	REV.		
D 78-5100-2653-3		B		SHT 3 OF 5		
MODEL		951XXX		REV. 1		

3M Center St. Paul, MN 55144

© 3M COPYRIGHT 2017
 This document and the information it contains are 3M property and may not be reproduced or further distributed without 3M permission, or used or disclosed other than for 3M authorized purposes. All rights reserved.

78-5100-2653-3
 DRAWING NUMBER
 B
 REVISION
 11/27/2017UTC
 Drf-set
 B
 REV. 1
 SHT 3 OF 5

3M™ PIN STRIP HEADER, 951 SERIES
 2MM AND 2MM X 2MM STRAIGHT, RIGHT ANGLE AND SURFACE MOUNT, SOLDER TAIL



ORDERING INFORMATION
 SURFACE MOUNT VERSION

951XXX-25X0-AR-XX

No. OF ROWS:
 1 = 1 ROW
 2 = 2 ROW

CONTACT QUANTITY:
 40 PINS = 1 ROW
 80 PINS = 2 ROW

PACKAGING:
 TP = TUBE
 PT = TUBE WITH PAD
 PR = TAPE & REEL WITH PAD
 NOTE: PAD OPTIONS
 1 ROW = 40 POSITION
 2 ROW = 80 POSITION

BOARD LOCATION FEATURES:
 3 = 1 ROW / PIN 1 LEFT
 2 = 2 ROW / NONE
 5 = 2 ROW / WITH LOCATION POST
 (8 - 14 CONTACTS)

TABLE 3

DIM. "A"	.079 [2.00] X N
DIM. "B"	.079 [2.00] X (N-1)
DIM. "C"	.079 [2.00] X (N/2)
DIM. "D"	.079 [2.00] X (N/2-1)
DIM. "E"	.079 [2.00] X (N/2-2)
SEE NOTE 3	

TAPE & REEL OPTION

1 ROW	CONTACT QTY.	40
2 ROW		80
TAPE WIDTH [MM]		104

REV	ECO	ISSUE DATE AND DESCRIPTION	DRFT	CHKD
B	76546	NOV 08, 2017 REVISE SHT 4	JNC	SC
A	72044	MAR 06, 2017 REVISE ELECTRICAL NOTES 3-2-17 REMOVED 2 CONNECTORS PRODUCTION RELEASE	JNC	TS

DESIGN REFERENCE NEXT ASSEMBLY

DO NOT SCALE DRAWING

THIRD ANGLE PROJECTION

MAX SURFACE ROUGHNESS

MARKED ONLY

SCALE 4/1

TOLERANCES EXCEPT AS NOTED

INCHES: .00, .000, .0000

MILLIMETERS: 0, .00, .000, .000

INTERPRET PER ASME Y14.5 - 2009

3M Center St. Paul, MN 55144

© 3M COPYRIGHT 2017. This document and the information it contains are 3M property and may not be reproduced or further distributed without 3M permission, or used or disclosed other than for 3M authorized purposes. All rights reserved.

TITLE: PIN STRIP HEADER, 2MM X 2MM, STRAIGHT, SMT & RA, SOLDER TAIL

CAGE NUMBER: D78-5100-2653-3

REV. B

DATE: FEB 23, 2015

APPRV: T. SUNIGA

DATE: FEB 23, 2015

CHKD: CASTIGLIONE

DATE: FEB 23, 2015

DRFT: JNC

CHKD: TS

ISSUE DATE AND DESCRIPTION: NOV 08, 2017 REVISE SHT 4

ECO: 76546

ECO: 72044

ISSUE DATE AND DESCRIPTION: MAR 06, 2017 REVISE ELECTRICAL NOTES 3-2-17 REMOVED 2 CONNECTORS PRODUCTION RELEASE

DRFT: JNC

CHKD: TS

ISSUE DATE AND DESCRIPTION: NOV 08, 2017 REVISE SHT 4

ECO: 76546

ECO: 72044

ISSUE DATE AND DESCRIPTION: MAR 06, 2017 REVISE ELECTRICAL NOTES 3-2-17 REMOVED 2 CONNECTORS PRODUCTION RELEASE

DRFT: JNC

CHKD: TS

ISSUE DATE AND DESCRIPTION: NOV 08, 2017 REVISE SHT 4

ECO: 76546

ECO: 72044

ISSUE DATE AND DESCRIPTION: MAR 06, 2017 REVISE ELECTRICAL NOTES 3-2-17 REMOVED 2 CONNECTORS PRODUCTION RELEASE

DRFT: JNC

CHKD: TS

ISSUE DATE AND DESCRIPTION: NOV 08, 2017 REVISE SHT 4

ECO: 76546

ECO: 72044

ISSUE DATE AND DESCRIPTION: MAR 06, 2017 REVISE ELECTRICAL NOTES 3-2-17 REMOVED 2 CONNECTORS PRODUCTION RELEASE

DRFT: JNC

CHKD: TS

3M™ PIN STRIP HEADER, 951 SERIES
 2MM AND 2MM X 2MM STRAIGHT, RIGHT ANGLE AND SURFACE MOUNT, SOLDER TAIL

Regulatory: For regulatory information about this product, visit 3M.com/regs or contact your 3M representative.

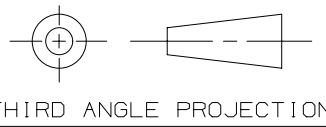
Technical Information: The technical information, recommendations and other statements contained in this document are based upon tests or experience that 3M believes are reliable, but the accuracy or completeness of such information is not guaranteed.

Product Use: Many factors beyond 3M's control and uniquely within user's control can affect the use and performance of a 3M product in a particular application. Given the variety of factors that can affect the use and performance of a 3M product, user is solely responsible for evaluating the 3M product and determining whether it is fit for a particular purpose and suitable for user's method of application.

Warranty, Limited Remedy, and Disclaimer: Unless an additional warranty is specifically stated on the applicable 3M product packaging or product literature, 3M warrants that each 3M product meets the applicable 3M product specification at the time 3M ships the product. 3M MAKES NO OTHER WARRANTIES OR CONDITIONS, EXPRESS OR IMPLIED, INCLUDING, BUT NOT LIMITED TO, ANY IMPLIED WARRANTY OR CONDITION OF MERCHANTABILITY OR FITNESS FOR A PARTICULAR PURPOSE OR ANY IMPLIED WARRANTY OR CONDITION ARISING OUT OF A COURSE OF DEALING, CUSTOM OR USAGE OR TRADE. If the 3M product does not conform to this warranty, then the sole and exclusive remedy is, at 3M's option, replacement of the 3M product or refund of the purchase price.

Limitation of Liability: Except where prohibited by law, 3M will not be liable for any loss or damage arising from the 3M product, whether direct, indirect, special, incidental or consequential, regardless of the legal theory asserted, including warranty, contract, negligence or strict liability.

3M Electronics Materials Solutions Division
 6801 River Place Blvd.
 Austin, TX 78726-9000
 1-800-225-5373
www.3M.com/interconnect

DESIGN REFERENCE	NEXT ASSEMBLY	REV	ECO	ISSUE DATE AND DESCRIPTION	DRFT	CHKD
APPROVED	DATE	DATE	DATE	DATE	DATE	DATE
CASTIGLIONE	FEB 23, 2015	FEB 23, 2015	T. SUNIGA	FEB 23, 2015		
DIVISION	DIVISION CODE	 3M Center St. Paul, MN 55144 © 3M COPYRIGHT 2017 This document and the information it contains are 3M property and may not be reproduced or further distributed without 3M permission, or used or disclosed other than for 3M authorized purposes. All rights reserved.				
DO NOT SCALE DRAWING	SCALE 4/1	TOLERANCES EXCEPT AS NOTED		TITLE		
		INCHES		PIN STRIP HEADER, 2MM X 2MM, STRAIGHT, SMT & RA, SOLDER TAIL		
THIRD ANGLE PROJECTION	INTERPRET PER ASME Y14.5 - 2009	MILLIMETERS		CAGE NUMBER	SIZE	DRAWING NO.
				D	78-5100-2653-3	B
MAX SURFACE ROUGHNESS	MARKED SURFACES	ANGLES		MODEL	951XXX	REV. 5 OF 5

78-5100-2653-3
 DRAWING NUMBER
 B
 REVISION
 01/27/2017 UTC
 Standard
 B.2 Central
 Time
 Drf-set



Компания «ЭлектроПласт» предлагает заключение долгосрочных отношений при поставках импортных электронных компонентов на взаимовыгодных условиях!

Наши преимущества:

- Оперативные поставки широкого спектра электронных компонентов отечественного и импортного производства напрямую от производителей и с крупнейших мировых складов;
- Поставка более 17-ти миллионов наименований электронных компонентов;
- Поставка сложных, дефицитных, либо снятых с производства позиций;
- Оперативные сроки поставки под заказ (от 5 рабочих дней);
- Экспресс доставка в любую точку России;
- Техническая поддержка проекта, помощь в подборе аналогов, поставка прототипов;
- Система менеджмента качества сертифицирована по Международному стандарту ISO 9001;
- Лицензия ФСБ на осуществление работ с использованием сведений, составляющих государственную тайну;
- Поставка специализированных компонентов (Xilinx, Altera, Analog Devices, Intersil, Interpoint, Microsemi, Aeroflex, Peregrine, Syfer, Eurofarad, Texas Instrument, Miteq, Cobham, E2V, MA-COM, Hittite, Mini-Circuits, General Dynamics и др.);

Помимо этого, одним из направлений компании «ЭлектроПласт» является направление «Источники питания». Мы предлагаем Вам помощь Конструкторского отдела:

- Подбор оптимального решения, техническое обоснование при выборе компонента;
- Подбор аналогов;
- Консультации по применению компонента;
- Поставка образцов и прототипов;
- Техническая поддержка проекта;
- Защита от снятия компонента с производства.



Как с нами связаться

Телефон: 8 (812) 309 58 32 (многоканальный)

Факс: 8 (812) 320-02-42

Электронная почта: org@eplast1.ru

Адрес: 198099, г. Санкт-Петербург, ул. Калинина, дом 2, корпус 4, литера А.